



2006

Scorpion Series
Repair Parts Catalog

4048 S1

4036 S2

4038 S3

2006 SCORPION SERIES

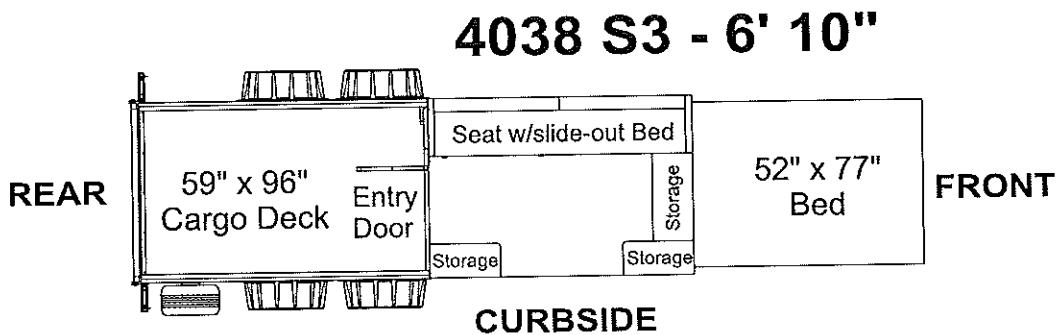
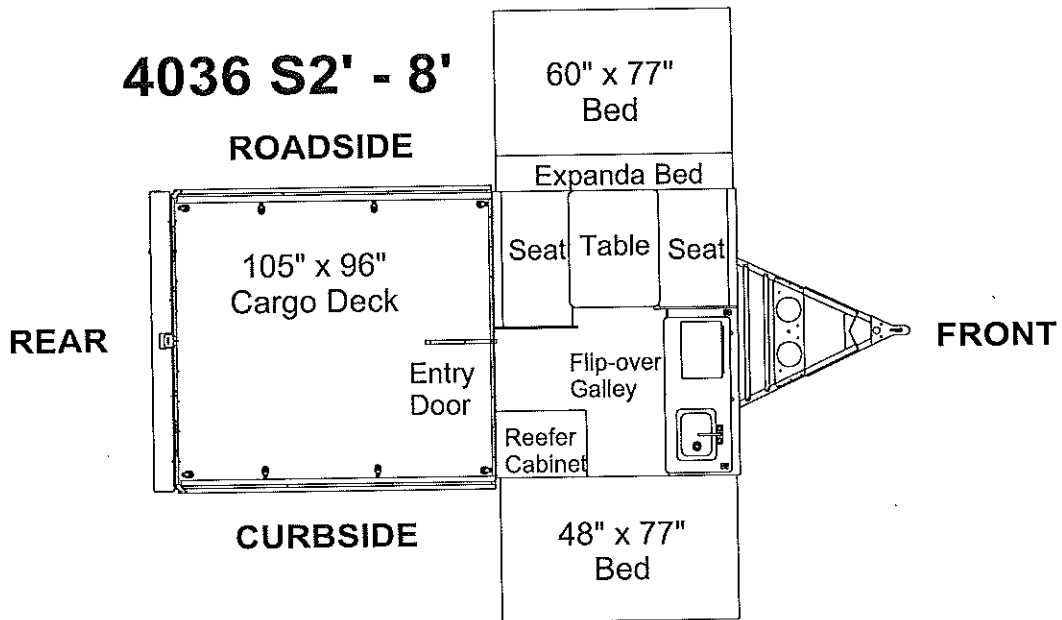
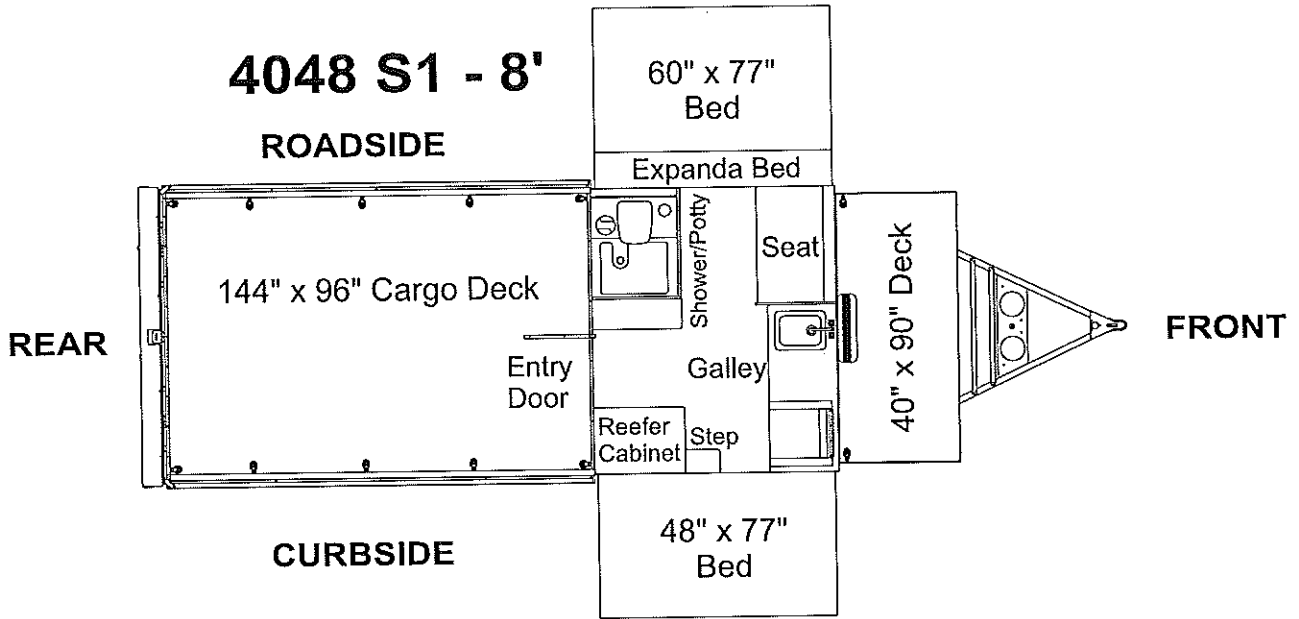
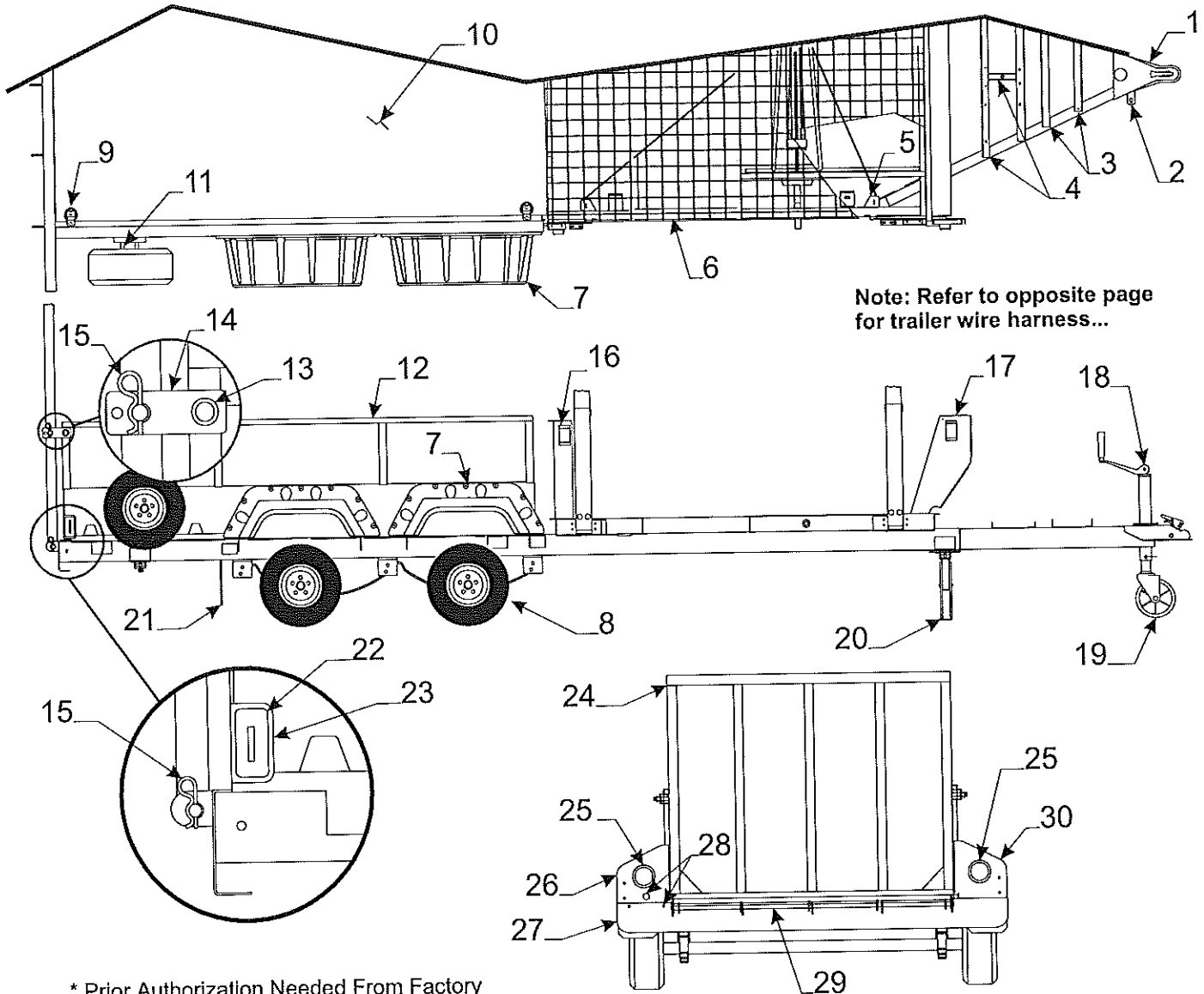


TABLE OF CONTENTS

<u>DESCRIPTION</u>	<u>PAGE</u>
Access door key	30
Access door assembly & related parts	7
Auto extension	7
Axle assemblies & related parts	6
Backrest assemblies & covers	29
Battery box (plastic)	3
Bed assemblies	26, 27
Bed extensions & related parts	26, 27
Body panel front & rear S1	12
Body panel front & rear S2	10
Body panel front & rear S3	8
Body panel "roadside/curbside" S1	13
Body panel "roadside/curbside" S2	11
Body panel "roadside/curbside" S3	9
Bumper & related parts	2, 3
Cabinet assembly (reefer cab.) S1, S2	19
Cabinet assy. csf/csr corners S3	22
Carbon monoxide detector	33
Cargo deck	2, 3
Cargo deck gates "rear" S1, S2	14
Cargo deck gates/ramp S3	2
Cargo deck & rail "front" S1	3
Cargo tie down anchors	2, 3
Caulking	7
Converter & related parts	22
Coupler assembly (S3 only)	2
Crank-up/crank-down components	4
Crank handle	30
Cushion assemblies & covers	29
Door bulkheads	8, 10, 12
Drain assy./drain hose (used on sinks)	16
Drape packages & related parts	29
Electric brakes & related parts	6
Fender "plastic" S3	2
Fire extinguisher & components	23
Floor covering	2, 3
Frame assembly & related parts	2, 3
Galley components S2	18
Galley components S1	20
Gas detector	22
Gas hose (gas bottle hook-up)	31
Gas hose (RVQ grill hook-up)	31
Gas bottle mounting brackets	31
Gas quick disconnect (outside gas hookup)	31
Gas bottle cover (black vinyl)	31
Gas bottle & related parts	31
Gas bottle tray	3
Grease cap (dust cap)	6
Heater vent (plastic)	18, 20
Heater return air vent	18, 20
Hub assembly & related parts	6
Lift assemblies & related parts	5
Lift trim & miter covers	10, 11
Lug wrench	30
Mattress assemblies & covers	29
Mud flaps	2, 3
Paint (spray & quart can)	7
Paneling & trim	15
Parts package & components	30
Pigtail (car end)	2, 3

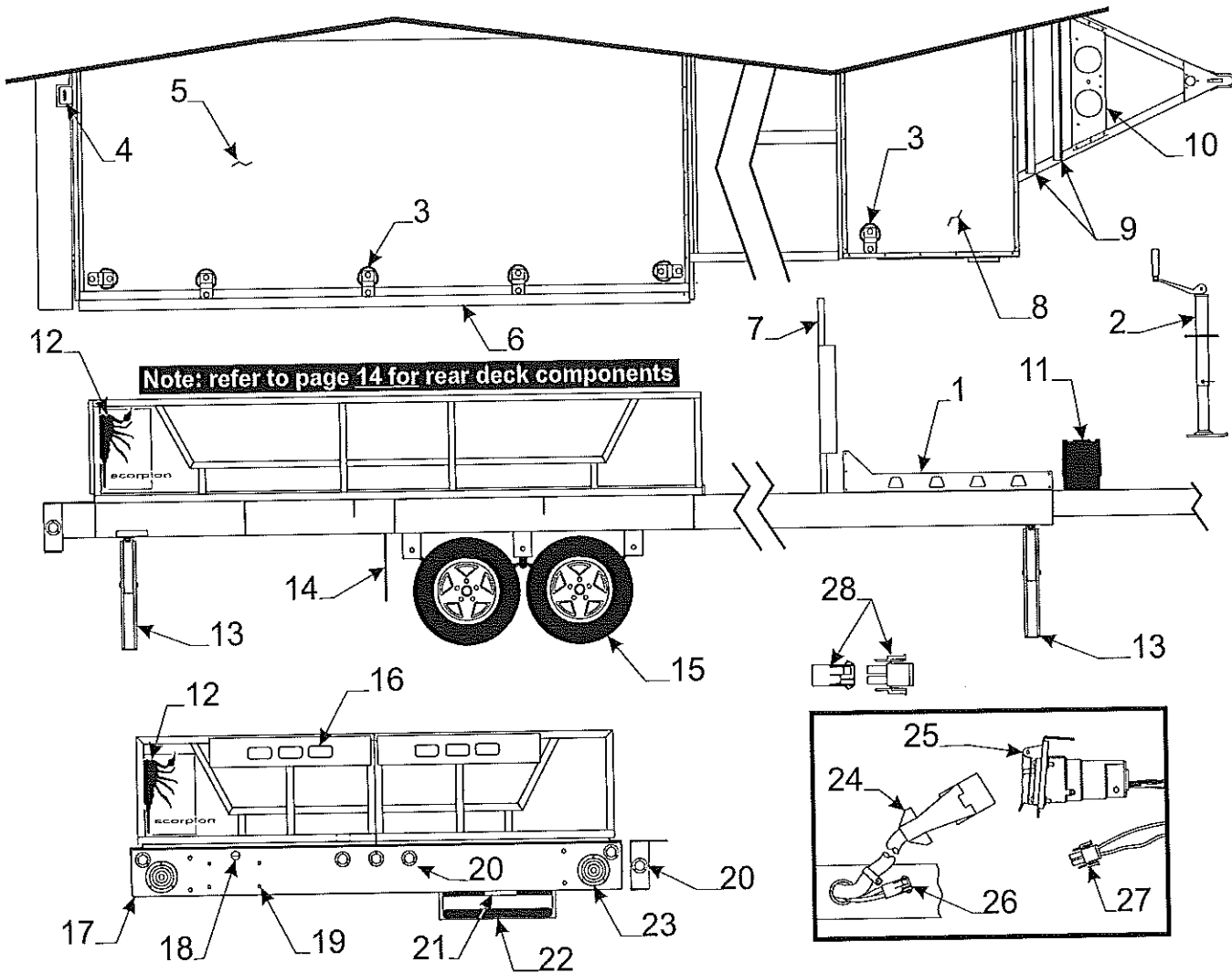
<u>DESCRIPTION</u>	<u>PAGE</u>
Oven/range components "galley area" S1	17
Potty "cassette" S1	21
Power cord (converter)	22
Radio/cd player	19
Receptacle (exterior)	10, 12
Receptacle (interior)	22
Refrigerator vents	11, 13
Regulator & fittings	31
Safety chains S3	30
Screen door & related parts	28
Seat bench components S1, S2	19
Seat bench components "roadside" S3	23
Shower curtain S1	29
Shower curtain rod S1	33
Shower stall w/potty components S1	21
Shower drain components S1	21
Sink & related parts	16
Spare tire cover (black vinyl)	2, 3
Spare tire mount & components	2, 3
Speaker	15
Stabilizer assembly	2, 3
Stabilizer handle/lug wrench combo	30
Step components S1, S2	3
Stove components "galley area" S2	17
Stove/oven "galley area" S1	17
Stove mounting bracket	9, 14
Table assemblies & related parts	15
Taillights (rear bumper)	2, 3
Tent support assemblies & related parts	24
Tenting & related parts (sunbrella)	32
Thermostat (Hydro Flame)	22
Thrust bearing	4
Tie backs (curtains)	29
Tie down anchors	2, 3
Tire & rim	2, 3
Tire cover "black vinyl"	2, 3
Tongue jack & related parts	2, 3
Top assemblies & related parts	33
Water heater	25
Water faucet	18, 20
Water system & related parts	25
Wheel well	2, 3
Whiffletree & related parts	5
Zippers (tenting assemblies)	32

Axle/Brakes - Dexter	219/295-1900
Cassette Potty - Thetford	800/444-7210
Converter - World Friendship Co.	800/900-2468
Furnace - Hydro Flame #8520-IV	800/546-8759
Mixer Faucet - Empire Brass	800/431-6440
Refrigerator - Dometic	800/216-5115
Stove/Grill - Vitco	877/825-8528
Tires - Kenda	800/225-4714
Water heater - #5031E	423/775-2131
Yakima bike rack - to obtain repair parts .	800/925-4621



* Prior Authorization Needed From Factory

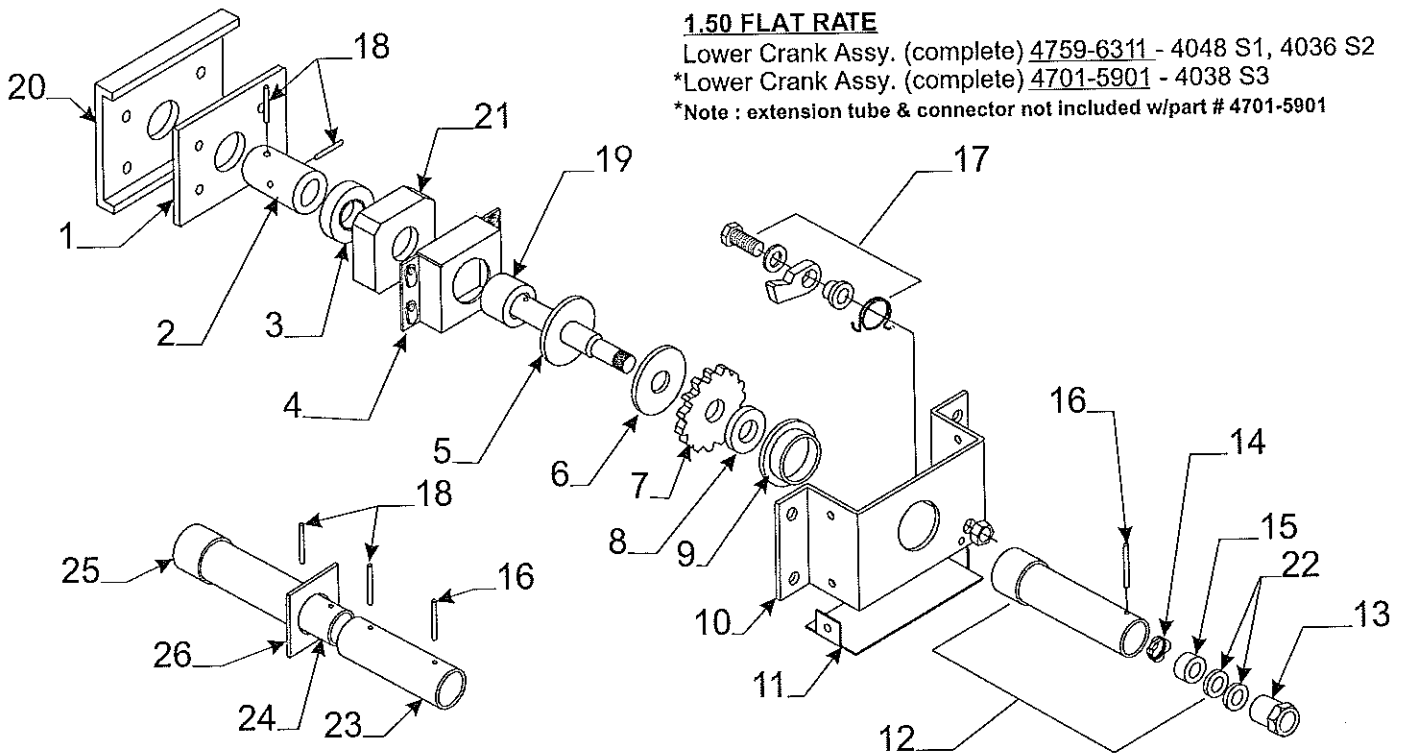
Flat Rate	Frame Code	Component Part #	Parts - 4038 S3 Description	Flat Rate	Code	Part #	Description
1.50	1	4772-4231	coupler assembly	*	16	4701-580	csr corner bulkhead
.75	2	4748-6611	chain bar w/pins	*		4701-581	rsr corner bulkhead
	3	4713-0241	frt./rear battery angle pkg.	*	17	4701-578	csf corner bulkhead
.15	4	4713-0521	angles & tie down pkg.	*		4701-579	rsf corner bulkhead
.75	5	4732E3671	adjustable pulley brkt. x4	.25	18	4772B4221	tongue jack "less wheel"
.25		4715A5371	pulley & bearing m10		19	4773-0421	jack caster wheel
		4720C1578	short pin m4	.25	20	4751A3351	stabilizer assembly
		1204B1081	cotter pin m10			4800-6771	sand shoe pkg.
*	6	6610007207P	floor covering 8' x 10'	.20	21	4701B2861	mud flap pkg. rt./lt.
.50	7	4701-3831	plastic fender	.15	22	4714J08581	red marker light
		4739F2901	chrome screw cap m12	.10		4716A4561	red lens (lens only)
.25	8	4701-3768	tire & rim 205/65-10C	.25	23	4701-4171	light angle w/rivets
		4728M5101	10" vinyl tire cover	.50	24	4701-7901	tail gate/ramp assy.
.10	9	4701-1571	tie down anchor	.20	25	4701A0601	taillight
*	10	4701-4191	cargo deck	.50	26	4701-4071	rs taillight gusset
.25	11	4701-6361	spare tire mount studs m2	.30	27	4701-6271	bumper
.75	12	4701-6211	cs deck rail assy.	.15	28	4739B4311	tag light
.75		4701-6221	rs deck rail assy.	.05		4732-1181	plastic grommet m4
	13	4701-4151	shaft cap m2	.05		1121C1618	license plate screw x2
	14	4701-4141	ramp latch link arm		29	4701-4281	3/4" x 57" pivot rod
	15	4701-4221	cotter pin m4	.50	30	4701-4081	cs taillight gusset



* 6610007208P floor covering 8' W x 9' L
 * Prior Authorization Needed From Factory

Note: Coupler, Safety chains... must be ordered through Lippert Components (chassis service) at -574/642-3927

Flat Rate	Frame Code	Component Part #	Parts - S1, S2 Description	Flat Rate	Code	Part #	Description
.50	1	4713-0251	frt. deck rail kit S1	.15	16	4714J08581	red marker light
.25	2	4800-1101	tongue jack w/plate	.10		4716A4561	red lens (lens only)
.10	3	4701-1571	tie down anchor	1.00	17	4800C1441	bumper S1
.25	4	4800A2011	lock arm plate	1.00		4800-3821	bumper S2
*	5	4800B5641	rear cargo deck S1	.15	18	4739B4311	tag light
*		4800-2721	rear cargo deck S2	.05	19	4732-1181	plastic grommet m4
*	6	3530800001	cs/rs alum. extrusion	.05		1121C1618	license plate screw x2
.25	7	4800-6161	spare tire mount S1	.15	20	4800A1451	red marker light "round"
.25		4800-6721	spare tire hanger S2	.15	21	4800-0431	step light
*	8	4800C5541	front deck platform S1	.50	22	4701-15061	double step S1, S2
.30	9	4716B7151	battery angle pkg.	.20	23	4701A0601	taillight & gasket
.50	10	4800B441	dual gas bottle tray		24	4753B3751	trailer harness
	11	4751-8451	battery box "plastic" x2			1201-8738	3/8" clamp
.25	12	4800-2438	scorpion logo			1203C8721	steel rivet m25
.25	13	4701A2491	stabilizer assembly			4742-8108	1 1/4" snap bushing
		4800-6771	sand shoe pkg.		25	4746A5591	pigtail - "car end"
		4761-2401	stabilizer crank handle		26	4716A5001	12 volt power harness
.20	14	4800A5681	mud flap pkg. rt./lt.	.15	27	4749B5531	12v wire harness m2
.25	15	4800-2338	tire rim ST205/75R-15		28	4716A4701	12 volt cap & plug m2
.25		4763-1508	spare tire/rim ST205/75D-15C				
		4701-5671	vinyl tire cover "black"				



1.50 FLAT RATE

Lower Crank Assy. (complete) 4759-6311 - 4048 S1, 4036 S2

*Lower Crank Assy. (complete) 4701-5901 - 4038 S3

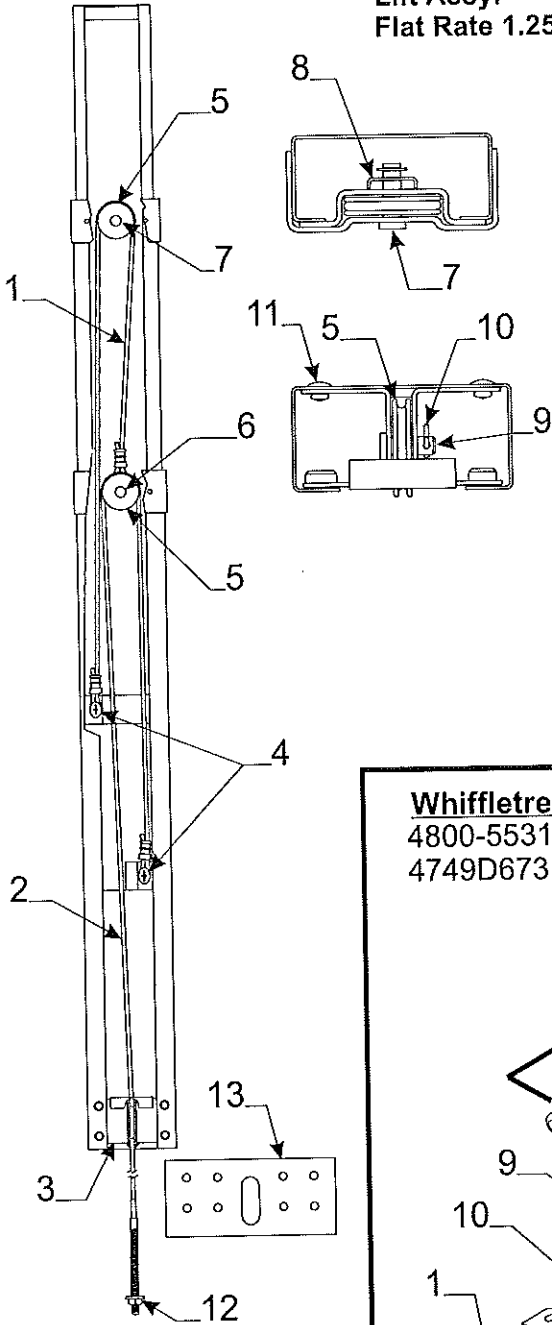
*Note : extension tube & connector not included w/part # 4701-5901

*** 1.50 Flat Rate All Parts Combined**

Flat Rate	Crank Up/Crank Down	Component Parts	
Rate	Code	Part #	Description
		1	4756-8321 bearing housing plate
1.50		2	4756-8301 coupler bushing
1.50		3	4720C2421 thrust bearing
*		4	4750A9251 bearing housing
			4738A0898 hex bolt x4
*		5	4751A3701 drive shaft & nut
*		6	4751-3561 pressure plate
*		7	4751-4831 ratchet wheel
*		8	4751-3581 pressure washer
*		9	4751A3591 shaft bushing
*		10	4751B3691 crank housing
			4731-3878 hex head bolt x4
			1201B6038 lock nut x4
*		11	4751-3721 housing cover plate
			1203-8641 rivet m25
.75		12	4716A1741 drive hub ext. pkg. S1, S2
			Note: pkg. Includes parts marked w/* asterisk
		13	*4751-3551 5/8" nut (Fine Threaded)
			*4751B3551 5/8" nut (Coarse Threaded)
.50		14	*4752-3921 handle spring x1 m2
.50		15	*4751-4671 nylon washer x1
.10		16	*4747A9451 spiral roll pin x1 m6
.60		17	4716-1221 ratchet pawl pkg.
1.00		18	4701-3261 3/16" x 1 1/8" shear pin
1.50		19	4756A8311 spacer bushing
		20	4750A9261 plate "painted"
1.50		21	4756-8441 bearing house square spacer
		22	4757-3938 washer x2
		23	4701-3281 extension tube - S3
		24	4701-3271 extension connector - S3
.75		25	4701-5891 drive hub ext. pkg. - S3
			Note: pkg. Includes parts marked w/* asterisk
		26	4702A0388 square washer - S3

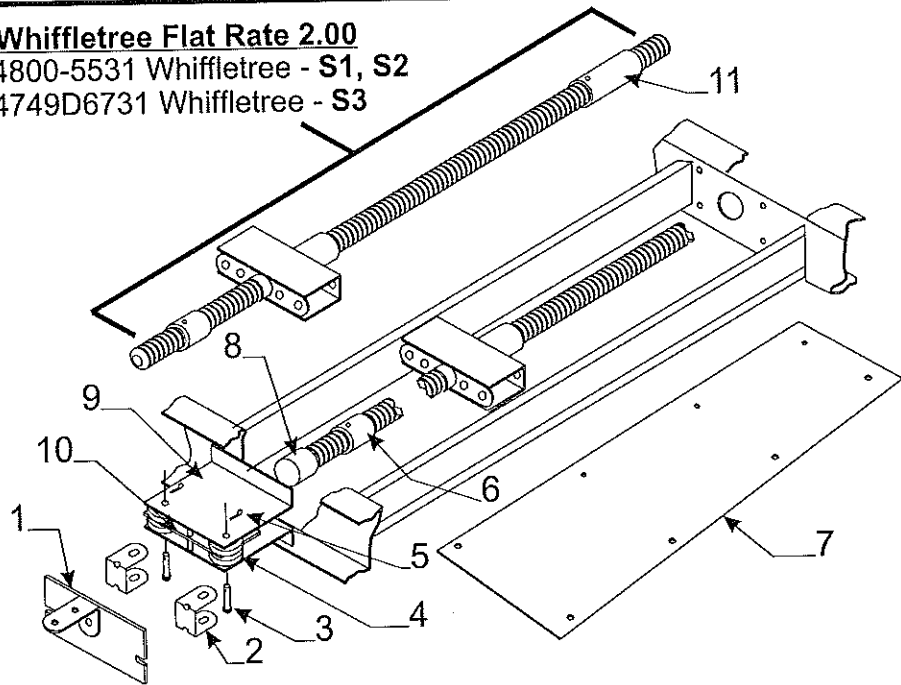
- 4772A5091 lift assy. roadside rear/curbside front - S1
- 4772A5101 lift assy. roadside front/curbside rear - S1
- 4716-0071 lift assy. roadside rear/curbside front - S2
- 4716-0081 lift assy. roadside front/curbside rear - S2
- 4716-0051 lift assy. roadside rear/curbside front - S3
- 4716-0061 lift assy. roadside front/curbside rear - S3

**Lift Assy.
Flat Rate 1.25**

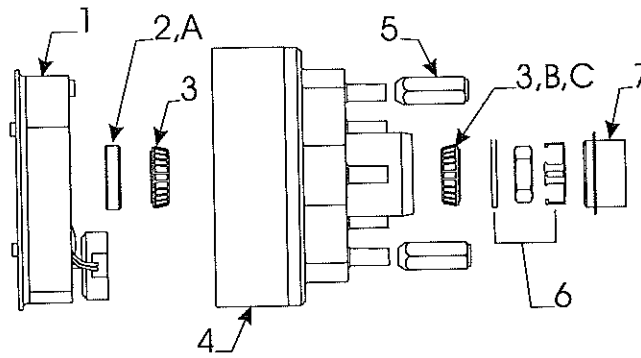


Flat Rate	Lift Assembly Code	Component Part #	Description
.75	1	4720D5271	cable assy. x1 m2 - S1, S2
.75		4720C5271	cable assy. x2 m2- S3
		4720C1691	cable crimp m20
1.25	2	4772-0201	194 1/2" long cable & crimp
		4744-1318	copper cable crimp m10
1.25	3	4731C5801	butterfly bracket assy.
.05	4	4749-2081	screw m6
.50	5	4715A5371	steel pulley & bearing m10
.25	6	4747-8931	long pin x2
		4730B0981	retaining ring m12
.25	7	4749-4061	short pin m4
		4730B0981	retaining ring m12
.25	8	4749A2028	retaining clip
.45	9	4720C1578	lift pin m4
	10	1204B1081	cotter pin m10
	11	1203-8641	rivet m25
	12	1201B6378	1/4" lock nut
		1202E0408	washer
	13	4701-2781	mounting plate - S3

Whiffletree Flat Rate 2.00
 4800-5531 Whiffletree - S1, S2
 4749D6731 Whiffletree - S3



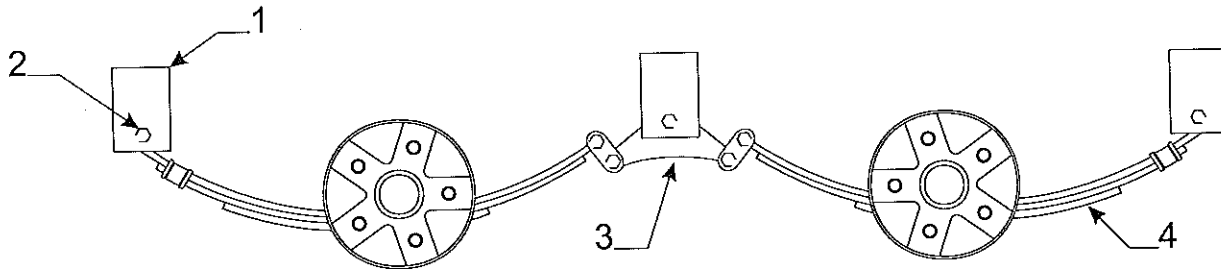
Flat Rate	Whiffletree & Related Parts Code	Part #	Description	Flat Rate	Code	Part #	Description
.15	1	4749A821	mud flap & brkt.	.25	7	4752B4921	whiffletree pan cover
.50	2	4744B1741	cable retainer x2			4755-4611	tek screw m25 (fasten pan in place)
.20	3	4720J1561	long pin m4				screw socket (welded)
.50	4	4715A5371	pulley & bearing m10	2.00	8	4730D1291	pulley plate
.10	5	1204B1081	cotter pin m10	2.00	9	4720-1551	pulley spacer
1.60	6	4710B4248	bushing	.50	10	4715D5661	bushing 3"
		4744A1301	solid shear pin m10		11	4772A184	



Flat Rate .50 Per Side
Electric Brake Pkg. 10 x 2 1/4" (4714J2011)

Flat Rate	Code	Part #	Description
.50	1	4716-6251	10" brake assembly (right hand)
.50		4716-6261	10" brake assembly (left hand)
.50	2	4716A1441	10" grease seal (2 per pack)
.50	3	4716A1451	10" bearing, race & seal pkg.
.30	4	4716-1431	10" hub & drum x2
.05	5	4772-3601	lug nuts m5
.10	6	4714A3061	retainer package
.05	7	4714C0621	EZ lube grease cap m4

Crossover Numbers To Purchase Locally
A K71-303-00 Grease Seal
B L44649 Bearing "outer" - L68149 Bearing "inner"
C L44610 Race "outer" - L68111 Race "inner"



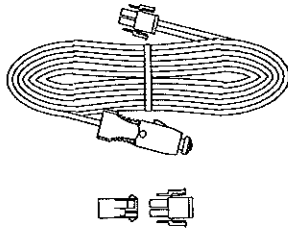
4701-4001 2210 10" brake axle assy - x2 - 4038 S3
 4800A1431 3500 10" brake axle assy. x2 - 4048 S1, 4036 S2

NOTE: Refer to Dexter Axle for required part(s)/service phone - (574) 295-7888

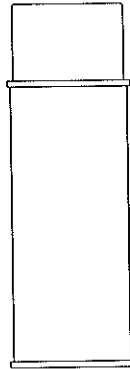
Flat Rate	Undercarriage Components		
	Code	Part #	Description
*	1	4741C3398	spring shackle
.25	2	4737A1318	shackle bolt
		4741-9498	shackle bolt nut
	3	4765A4911	suspension kit
.75	4	Must order through Dexter Axle Dexter PART # 072-018-00	

* Prior Authorization Needed from Factory

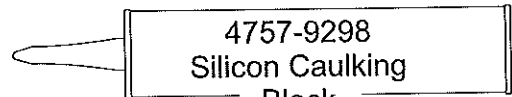
4733D6701 auto extension



4716A4701 12 volt cap & plug m2



16 oz. spray

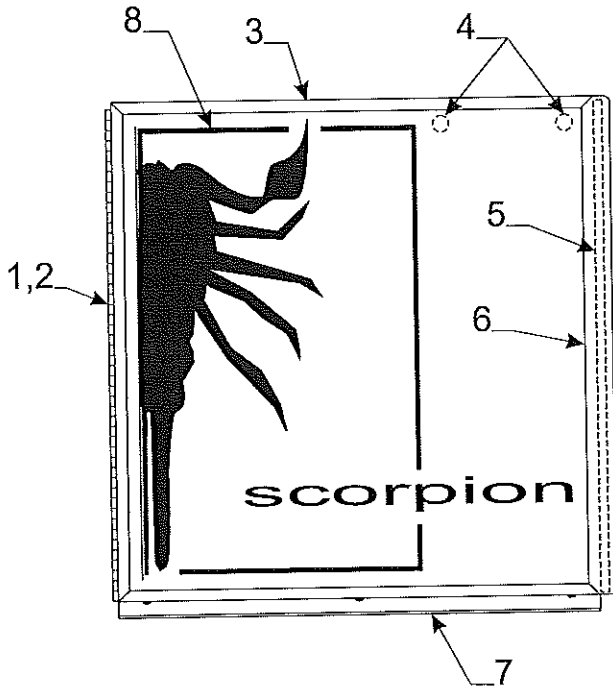


4757-9298
Silicon Caulking
Black

4701-1958
Caulking Black

4745C3908
Caulking Arctic White

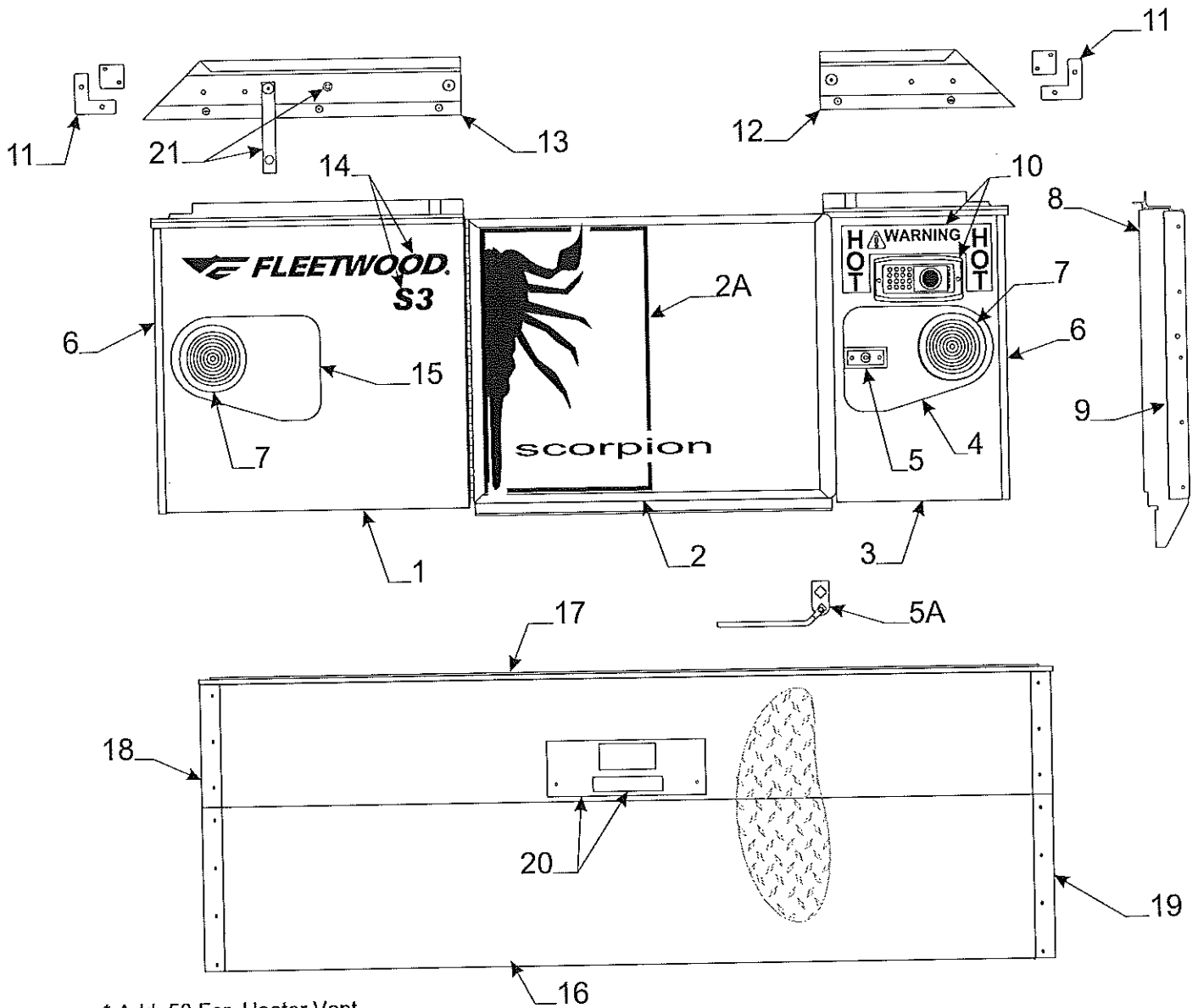
- 0008-2571 black
- 0008-2641 black textured
- 0008-2561 white
- 0008-2691 silver/pewter textured
- 4713-0101 yellow textured



- 4800A570S1 Access Door Assy. "silver" - S1
- 4800A570Y1 Access Door Assy. "yellow" - S1
- 4800-606S1 Access Door Assy. "silver" - S2
- 4800-606Y1 Access Door Assy. "yellow" - S2
- 4701-5861 Access Door Assy. - S3

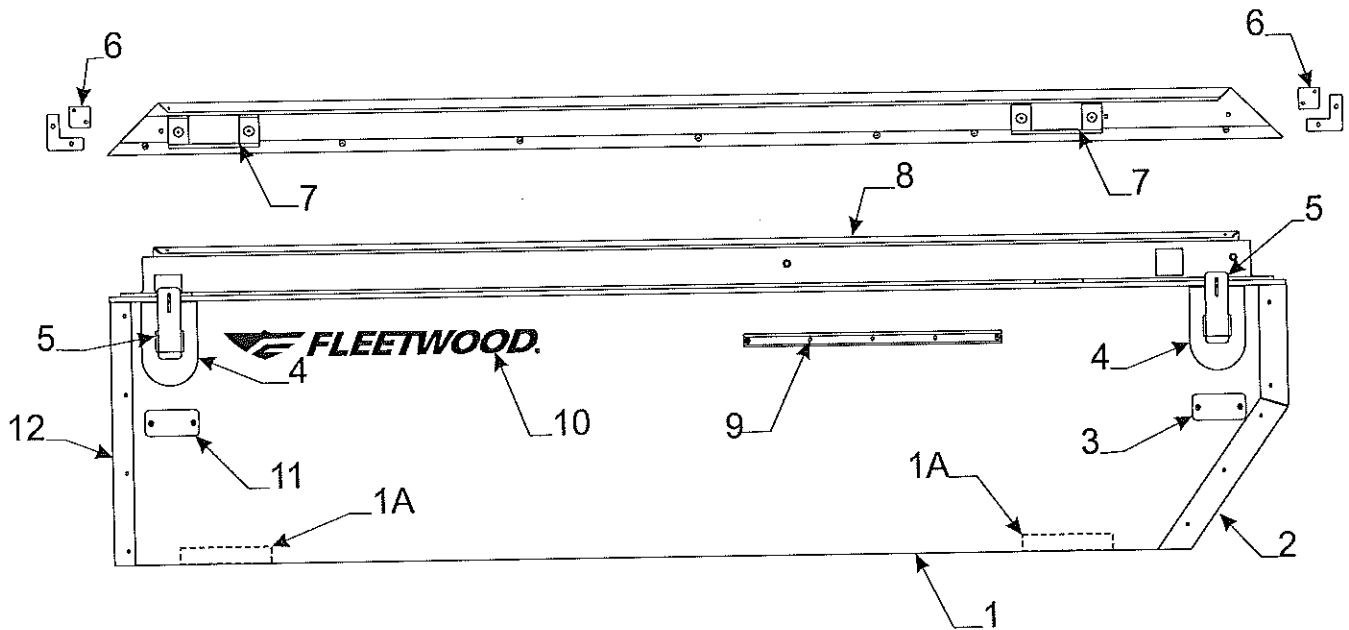
Flat Rate	Access Door Assembly Components	Code	Part #	Description
.25	1	4800-3441	door hinge S1	
.25		4701-0851	door hinge S2	
.25		4701-3111	door hinge S3	
.35	2	4800-3491	door frame S1	
.35		4800-3451	door frame S2	
.35		4701-3071	door frame S3	
.25	3	4701-0891	door cap (all)	
	4	4730A3548	stud & screw	
		4701-5251	access door strap	Note: strap located on rs deck rail
.20	5	406000023P	d-seal pkg. (5' pc.)	
.25	6	4800-3511	door frame S1	
.25		4800-3021	door frame S2	
.25		4701-3081	door frame S3	
		4716-081	screw x2	
.25	7	4701-0921	bottom trim (all)	
		4745-3968	screw x2	
.25	8	4800-2438	scorpion logo (S3 only)	
.25		4800A251	danger/warning label	

Note: warning label located on the inside of dr.

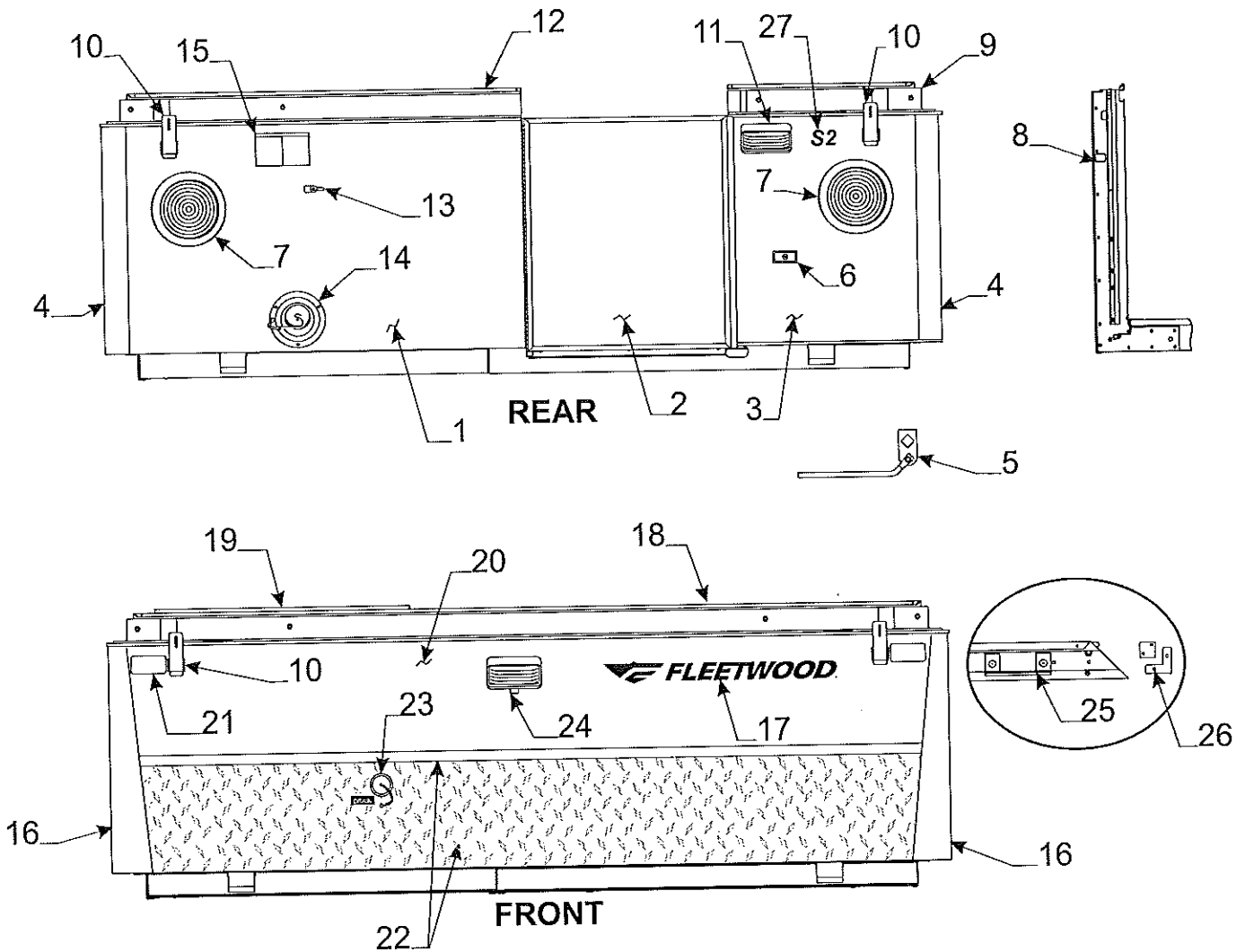


* Add .50 For Heater Vent

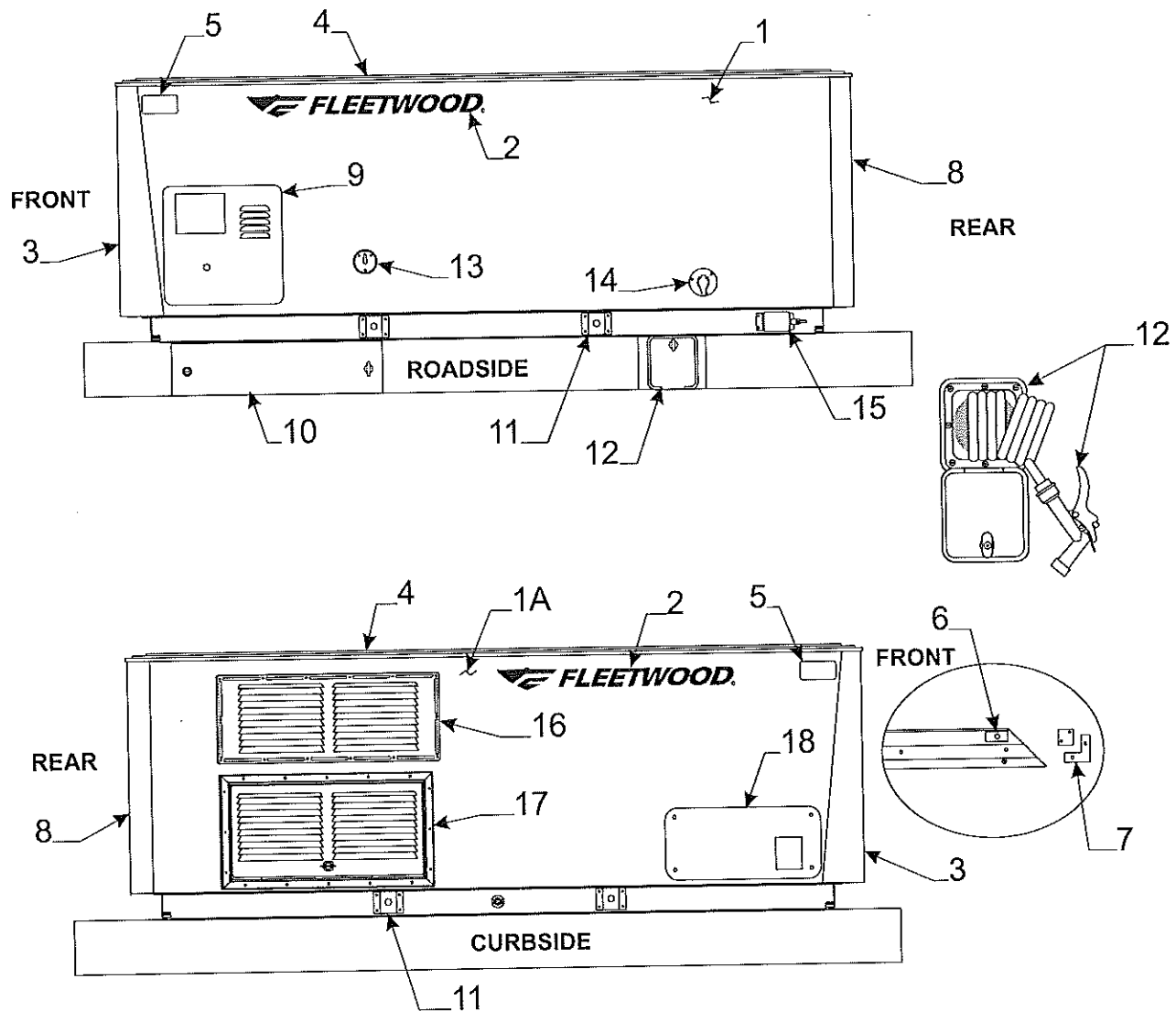
Front & Rear Body Panel Components - S3 4038							
Flat Rate	Code	Part #	Description	Flat Rate	Code	Part #	Description
1.00	1	4702-0311	rear body panel lt.	1.00	13	4701-4521	body rail rt. rear
.50	2	4701-5861	access door assy.			4767-0781	vel-stick 9 3/4"
			Note: refer to page Z for access dr. components	.10		4716-2771	vel-stick pkg.
.25	2A	4800-2438	scorpion logo			1203-8641	rivet m25
1.00	3	* 4701B3011	rear body panel rt.	.25	14	4701-2628	fleetwood logo
.25	4	4701-3031	area light trim lt. rear	.15		4800-4528	S3 name decal
1.00	5	4730C3111	lock handle w/key	.25	15	4701-4511	area light trim
	5A	4754-1691	latch, strike & lever	1.00	16	4701-3001	front body panel
.30	6	4701-3621	rear corner trim	1.00	17	4701-2911	front body rail
.20	7	4701-4551	area light	.30	18	4701-3601	cs frt. corner trim
		4734J1861	rivet m25			4758-9921	screw "black" m12
1.25	8	4701-305	door bulkhead lt.	.30	19	4701-3611	rs frt. corner trim
1.25		4701-306	door bulkhead rt.			4758-9921	screw "black" m12
.25	9	4701-4711	door stop angle	.05	20	4759-8488	lp gas decal
.50	10	4741B9471	furnace vent 8"	.05		4730K213C8	gas piping decal
.20		4701-3878	caution decal			4759-972	decal plate
.15	11	4716-7061	miter cover pkg. m4	.10	21	4701-5251	door strap
1.00	12	4701-2921	body rail lt. rear			4730A3548	stud w/screw
		1203-8641	rivet m25				
.10		4716-2771	vel-stick pkg.				



Flat Rate	Roadside/Code	Curbside Part #	Body Panel & Components - S3 Description
1.00	1	4701A2981	rs left side body pnl.
1.00		4701A2991	cs right side body pnl.
	1A	4060050008P	foam tape pkg. (12' pc.)
.30	2	4701-3601	cs corner trim
.30		4701-3611	rs corner trim
		4758-9921	screw "black" m12
.15	3	4714J08481	amber marker light
		1103E1018	ss screw x2 per light
.10		4716A4571	amber lens (lens only)
.25		4733H1311	socket & harness
.25	4	4701-9161	top latch trim
		4701-2531	rivet m25
.15	5	4701-0951	top latch
		4741A9101	tek screw m10
.15	6	4716-7061	inner/outer miter cover pkg. m4
.25	7	4734C4121	lift trim, rivets & gasket pkg. m4
3.00	8	4701-2891	rs left side body rail
3.00		4701-2901	cs right side body rail
.10		4716-2771	vel-stick body rail pkg.
.25	9	4767-436G1	stove support brkt.
.25	10	4701-2628	Fleetwood decal
		4747-2558	expansion rivet m25
.15	11	4714J08581	red marker light
.10		4716A4561	red lens (lens only)
		1103E1018	ss screw x2 per light
.25		4733H1311	socket & harness
.30	12	4701-3621	rear corner trim
		4758-9921	tek screw "black" m12

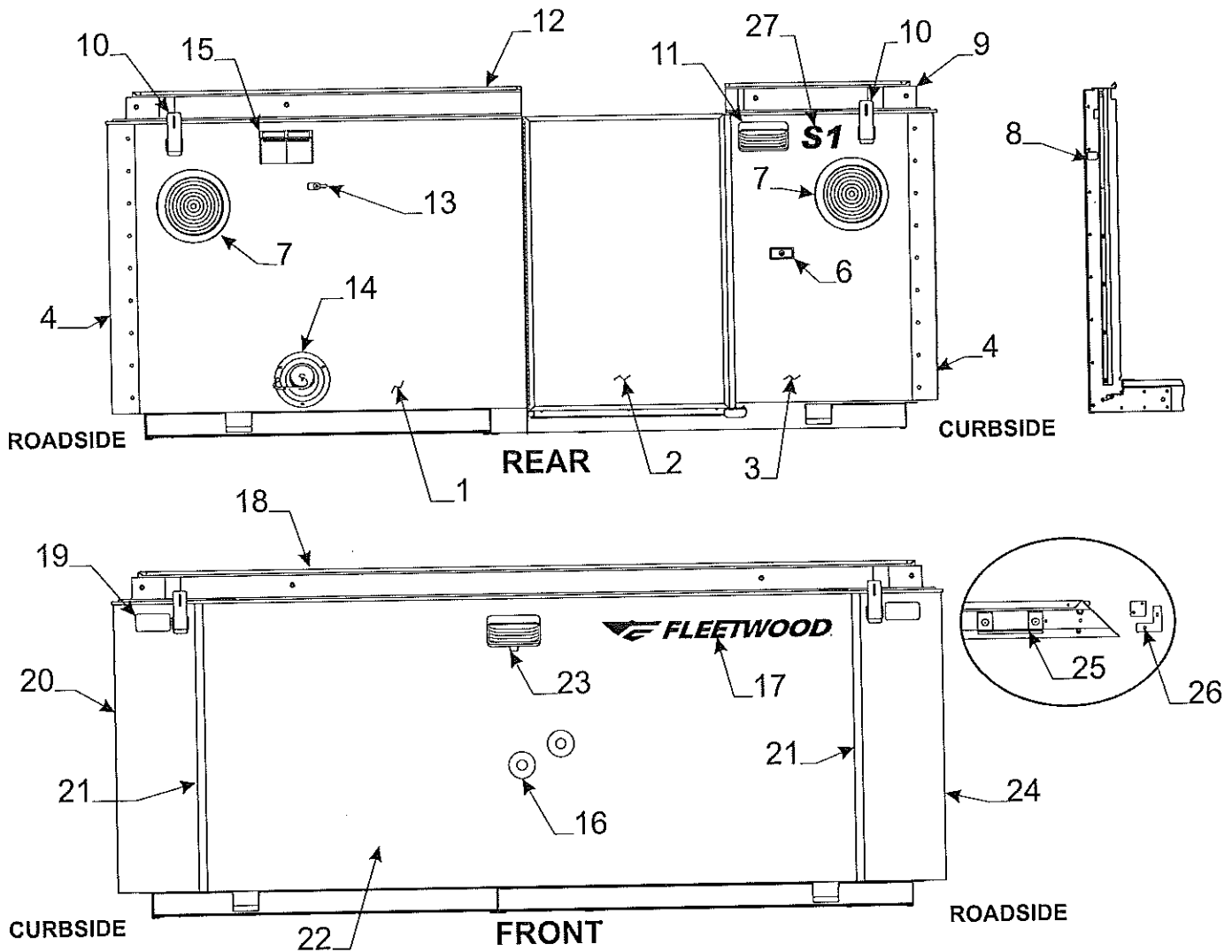


Front & Rear Body Panel Components - S2							
Flat Rate	Code	Part #	Description	Code	Part #	Description	
				14	4731D1711	water tank spout	
1.00	1	4800-284S1	left rear body panel "silver"		4741-3508	hex head tek screw x3	
1.00		4800-284Y1	left rear body panel "yellow"	.25	15	4746A3861	outside receptacle
.50	2	4800-606S1	access door assy. "silver"	.50	16	4800-4461	csf/rsf corner trim "black"
.50		4800-606Y1	access door assy. "yellow"	.25	17	4701-2628	Fleetwood logo
1.00	3	4800B285S1	right rear body pnl. "silver"	1.00	18	4800A007	body rail "front"
1.00		4800B285Y1	right rear body pnl. "yellow"		4716-2771	vel-stick body rail pkg.	
.50	4	4800-4471	csr/rsr corner trim "black"	.25	19	4737B2211	curtain track
	5	4754-1691	latch, strike & lever	1.00	20	4800-281S1	frt. body panel "silver"
1.00	6	4730C3111	lock handle (w/key)	1.00		4800-281Y1	frt. body panel "yellow"
1.00		4772-6411	latch, strike & lever	.15	21	4714J08481	amber marker light
.20	7	4800-0111	security light	.10		4716A4571	amber lens (lens only)
1.25	8	4800-6131	door bulkhead "right"	.25		4733H1311	socket & harness
		4800-3031	bulkhead stop angle	1.00	22	4800-4241	diamond plate pnl. & trim
1.25		4800-6121	door bulkhead "left"			4800-4231	trim
1.00	9	4800B025	body rail "rt. rear"	23	4714A2861	drain cap & strap	
		4716-2771	vel-stick body rail pkg.		4744C2668	drain decal	
.15	10	4741C6041	top latch	.25	24	4765A1341	hitch light
		4767-1701	tek screw m12	.10		4716A1341	clear lens
.25	11	4752-9921	porch light	.25	25	4734C4121	lift trim pkg. m4
.10		4716-5511	porch light lens "amber"			4733-3398	nylon flange bushing x2
1.00	12	4800-343	body rail "lt. rear"	.15	26	4716-7061	miter cover pkg. m4
		4716-2771	vel-stick body rail pkg.	.15	27	4800-4518	S2 name decal
.15	13	4738-3941	turn button "plastic"				



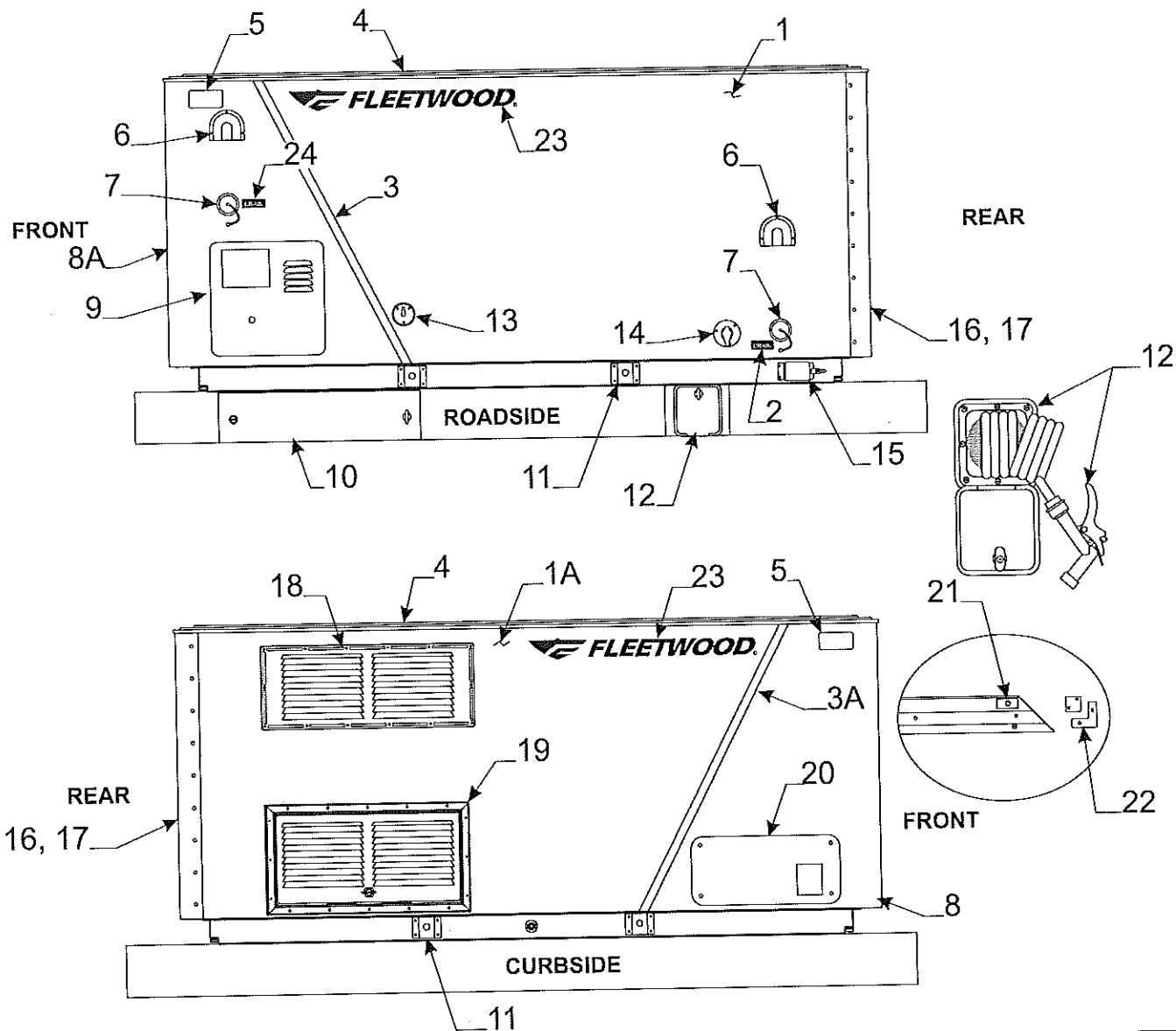
CS/RS Body Panel & Components - S2

Flat Rate	Code	Part #	Description	Flat Rate	Code	Part #	Description
				.25	10	4800A5711	power cord hatch door
1.50	1	4800-288S1	rs body panel "silver"			4800A1361	thumb turn
1.50		4800-288Y1	rs body panel "yellow"			4751D8301	lock
2.50	1A	4800-286S1	cs right panel "silver"			4800A137	compartment box
2.50		4800-286Y1	cs right panel "yellow"	.25	11	4716-0671	bed leg pin & brkt.
.25	2	4701-2628	Fleetwood logo 18"	.30	12	4701-2401	outside faucet & hatch
.50	3	4800-4461	csf/rsf corner trim	.15		4701-2421	coiled hose & nozzle
1.00	4	4754-8681	body rail	.25	13	4757A4871	coax cable outlet
.15	5	4714J08481	amber marker light	.35	14	4732F1521	city fill
.10		4716A4571	amber lens (lens only)	.20	15	4752-5831	gas outlet cover/hinge
.25		4733H1311	socket & harness			4738-3941	turn button
	6	4754A8491	nylon bed slide/screw	.50	16	4747D8321	refrigerator vent "upper"
.15	7	4716-7061	miter cover pkg. m4	.50	17	4747D8331	refrig. vent hinged "lower"
.50	8	4800-4471	csf/rsf corner trim	.20	18	4765A1201	furnace door
.25	9	4716-1331	water heater door				

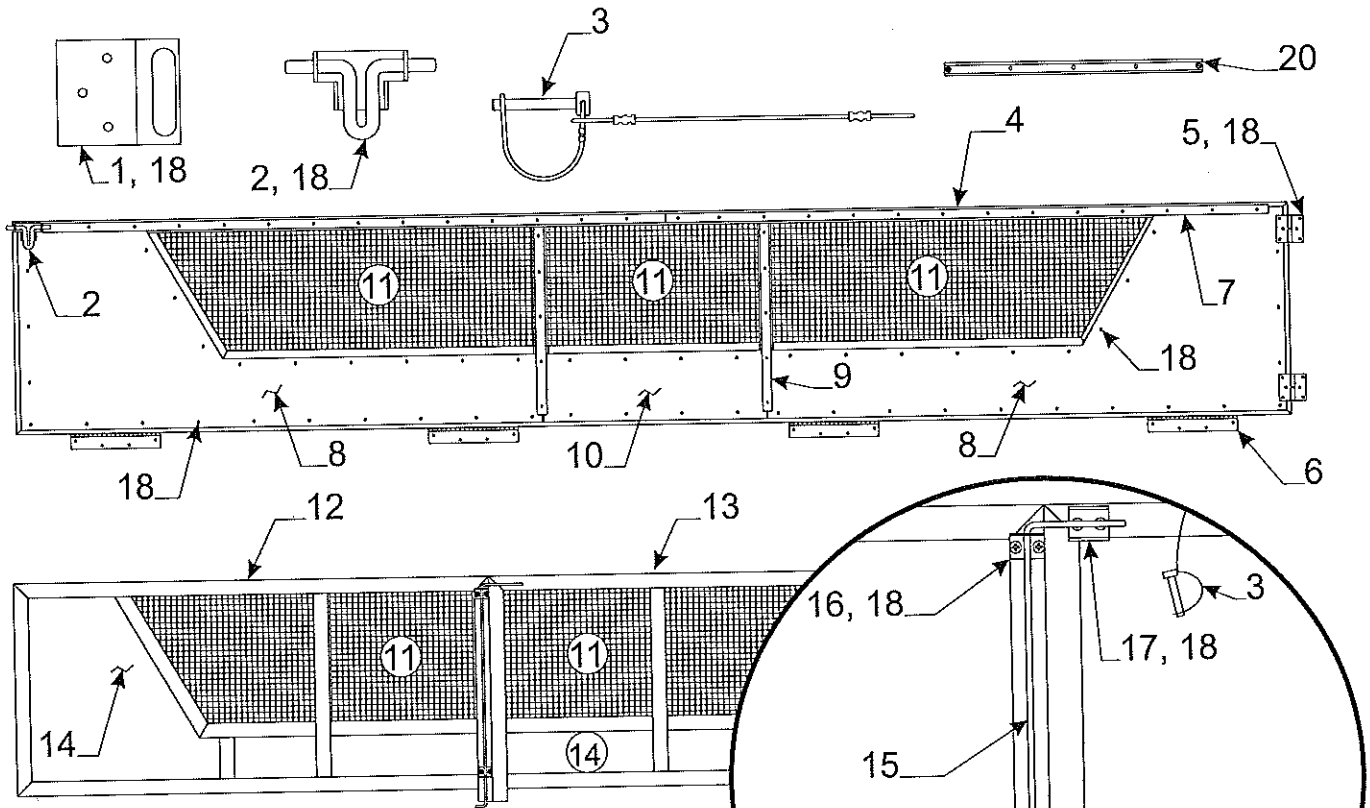


Front & Rear Body Panel Components - S1

Flat Rate	Code	Part #	Description	Flat Rate	Code	Part #	Description
				.15	13	4738-3941	turn button "plastic"
1.00	1	4800C009S1	lt rr body pnl. "silver"	.30	14	4731D1711	water tank spout
1.00		4800C009Y1	lt rr body pnl. "yellow"			4741-3508	hex head tek screw x3
.50	2	4800A570S1	access door "silver"	.25	15	4746A3861	outside receptacle
.50		4800A570Y1	access door "yellow"		16	4754-3871	foam gasket m2
1.00	3	4800C013S1	rt rr body panel "silver"	.25	17	4701-2628	Fleetwood logo 18"
1.00		4800C013Y1	rt rr body panel "yellow"	1.00	18	4800-007	body rail "front"
.50	4	4800C0631	rear corner pnl. rs/cs			4716-2771	vel-stick body rail pkg.
.20	5	4758-9921	tek screw "black" m12	.15	19	4714J08481	amber marker light
1.00	6	4730C3111	lock handle (w/key)	.10		4716A4571	amber lens (lens only)
1.00		4772-6411	latch, strike & lever	.25		4733H1311	socket & harness
.20	7	4800-0111	security light	.50	20	4800-347S1	csf body trim "silver"
1.25	8	4800-6121	door bulkhead "right"	.50		4800-347Y1	csf body trim "yellow"
		4772-0301	bulkhead stop angle	.20	21	4800-067	alum. trim "black"
1.25		4800-6201	door bulkhead "left"	1.00	22	4800B0061	frt. body panel
1.00	9	4800B025	body rail "rt. rear"	.25	23	4765A1341	hitch light
		4716-2771	vel-stick body rail pkg.	.10		4716A1341	clear lens
.15	10	4741C6041	top latch	.50	24	4800-348S1	rsf body trim "silver"
		4767-1701	tek screw m12	.50		4800-348Y1	rsf body trim "yellow"
.25	11	4752-9921	porch light	.25	25	4734C4121	lift trim pkg. m4
.10		4716-5511	porch light lens "amber"			4733-3398	nylon flange bushing x2
1.00	12	4800-343	body rail "lt. rear"	.15	26	4716-7061	miter cover pkg. m4
		4716-2771	vel-stick body rail pkg	.15	27	4800-4508	S1 name decal



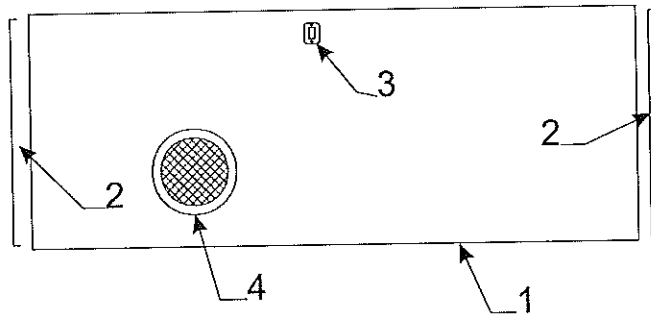
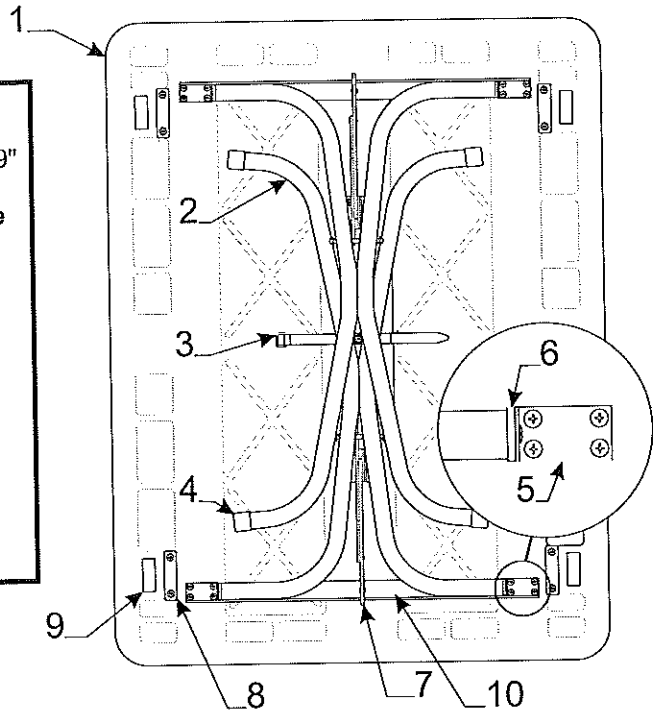
CS/RS Body Panel & Components - S1				Flat	Code	Part #	Description
Rate	Code	Part #	Description	Rate	Code	Part #	Description
.25				.25	10	4800A5711	power cord hatch door
1.50	1	4800A0311	rs left body panel			4800A1361	thumb turn
2.50	1A	4800-3421	cs right body panel			4751D8301	lock
	2	4744C2668	drain decal "black"			4800A137	compartment box
.20	3	4800-065	rsf trim "black"	.25	11	4716-0671	bed leg pin & brkt.
.20	3A	4800-071	csf trim "black"	.30	12	4701-2401	outside faucet & hatch
1.00	4	4754-8681	body rail	.15		4701-2421	coiled hose & nozzle
.15	5	4714J08481	amber marker light	.25	13	4757A4871	coax cable outlet
.10		4716A4571	amber lens (lens only)	.35	14	4732F1521	city fill
.25		4733H1311	socket & harness	.20	15	4752-5831	gas outlet cover/hinge
.15	6	4757-9261	vent cover "plastic"			4738-3941	turn button
.10	7	4714A2861	drain cap & strap	.50	16	4800C0631	rear corner pnl. rs/cs
.50	8	4800-347S1	csf body trim "silver"	.20	17	4758-9921	tek screw "black" m12
.50		4800-347Y1	csf body trim "yellow"	.50	18	4747D8321	refrigerator vent "upper"
.50	8A	4800-348S1	rsf body trim "silver"	.50	19	4747D8331	refrig. vent hinged "lower"
.50		4800-348Y1	rsf body trim "yellow"	.20	20	4765A1201	furnace door
.25	9	4716-1331	water heater door		21	4754A8491	nylon bed slide/screw
				.15	22	4716-7061	miter cover pkg. m4
				.25	23	4701-2628	Fleetwood logo 18"



Rear Cargo Side/Rear Gates & Related Parts - S1, S2

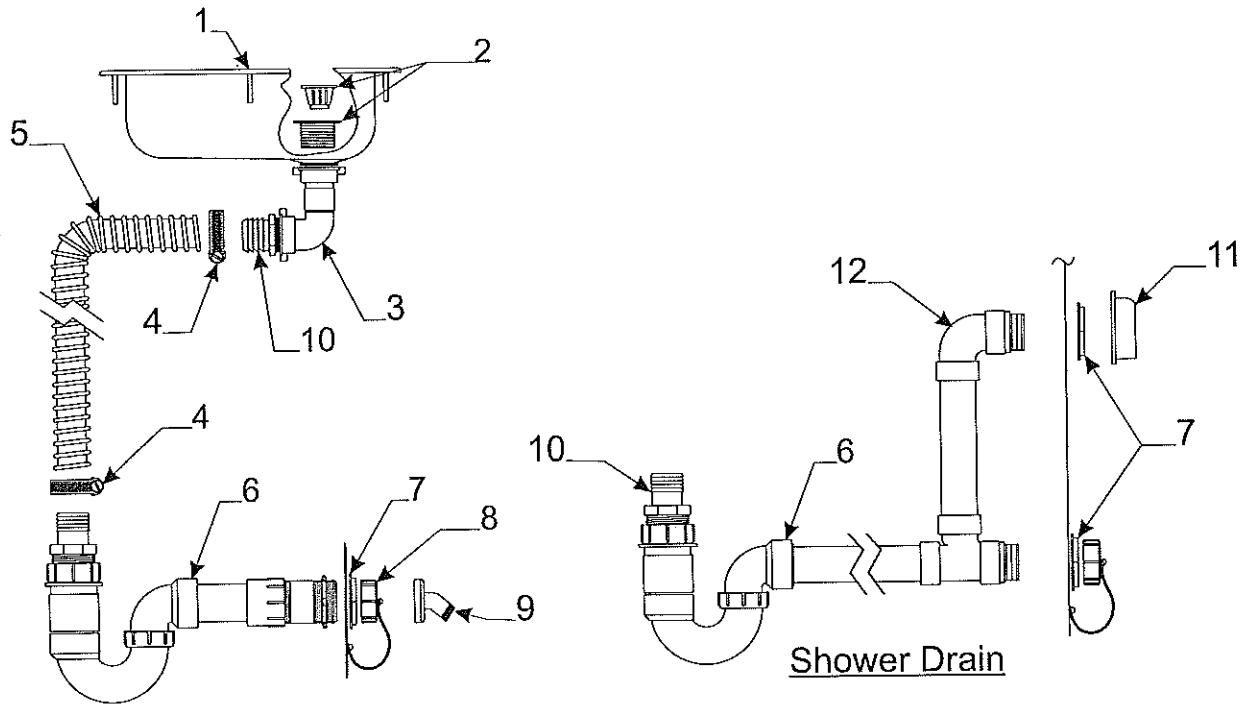
F.R.	Code	Part #	Description
.15	1	4800-1991	latch bracket
.15	2	4800-1981	gate latch
.10	3	4765-6101	snapper pin & cable
.75	4	4800C518S1	cs/rs gate assy. "silver" S1
.75		4800C518Y1	cs/rs gate assy. "yellow" S1
.75		4800A597S1	cs/rs gate assy. "silver" S2
.75		4800A597Y1	cs/rs gate assy. "yellow" S2
.15	5	4800-1971	lift-off hinge x2
.50	6	4800-193	hinge x4 (welded to gate)
.20	7	4800-195	horizontal trim "black"
.50	8	4800B024S	side panel (frt./rear) "silver" S1
.50		4800B024Y	side panel (frt./rear) "yellow" S1
.50		4800-277S	side panel (frt./rear) "silver" S2
.50		4800-277Y	side panel (frt./rear) "yellow" S2
.10	9	4800-196	vertical trim "black"
.25	10	4800B068S	side panel "silver" (center) S1
.25		4800B068Y	side panel "yellow" (center) S1
.50	11	4800B094	side grating "frt./rear" S1
.50		4800-278	side grating "frt./rear" S2
.50		4800B095	side grating "center" S1
.50		4800B096	rear grating "rt./lt." S1, S2
.25	12	4800B519S1	left rear gate assy. "silver" S1, S2
.25		4800B519Y1	left rear gate assy. "yellow" S1, S2
.25	13	4800B565S1	right rear gate assy. "silver" S1, S2
.25		4800B565Y1	right rear gate assy. "yellow" S1, S2
.50	14	4800C069S	rear panel cs/rs "silver" S1, S2
.50		4800C069Y	rear panel cs/rs "yellow" S1, S2
.20	15	4800A1901	gate lock arm
.10	16	4800-1891	lock arm keeper x2
.10	17	4800A1911	lock arm bracket
	18	4758-9921	tek screw "black" m12
	19	4800-2461	gate hold down brkt.
		4758-8001	rivet m25
.25	20	4767-436G1	stove/grill support brkt.

Flat Rate	Dinette Table Assembly Components		
	Code	Part #	Description
.50	1	4701-2021	table top "gray plastic" 30" x 39"
.50	2	4701-1491	table leg package "yellow"
Note: pkg. includes 2 legs & required mounting hardware			
.10	3	4751A9711	strap & screw pkg.
	4	4752-0551	white plastic cap m2
.15	5	4713-0331	table leg mounting brace m2
		1103E1018	5/8" wood screw
.15	6	4752A0561	table leg insert cap m2
		4747-2558	expansion rivet m2
.25	7	4744-6971	lock brace assy. x2
		1103E1018	5/8" wood screw
.15	8	4756-8741	table top plastic spacer m4
		1103B08148	7/8" screw (x2 per spacer)
.05	9	4724D2631	velcro fastener m4
	10	4759-9601	table brace brkt. x2



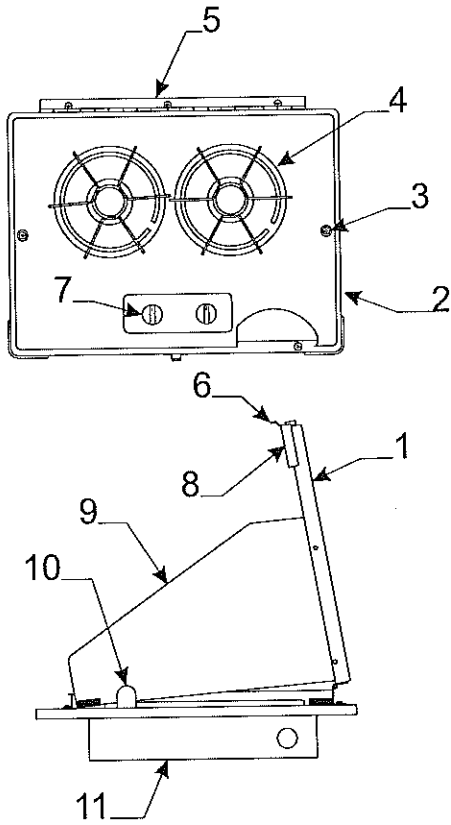
* Prior Authorization Needed

Flat Rate	Paneling & Trim (Must Cut To Size)		
	Code	Part #	Description
*	1	6010415698P	wall panel 48" x 48"
*	2	4064700378P	corner divider m2 48" pc.
		3	4800-0451 kill switch & plate
.15	4	4800-3911	speaker "white"



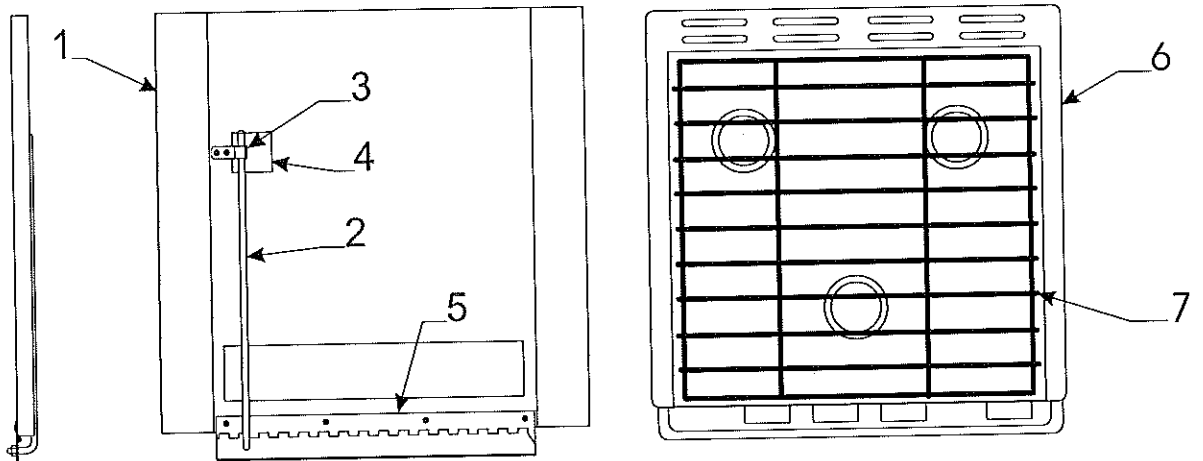
Shower Drain

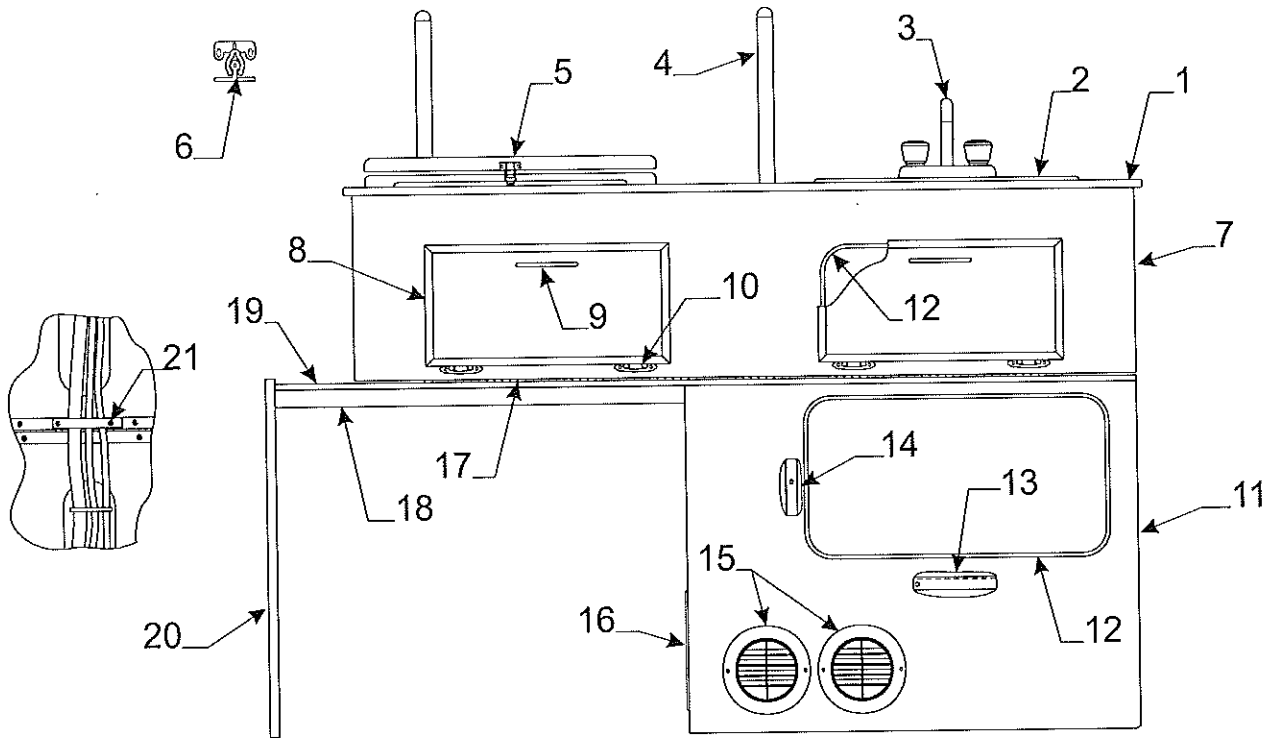
Flat Rate	Sink & Component parts		
Rate	Code	Part #	Description
.30	1	4710F0301	sink "stainless"
.05	2	4714C0661	crumb cup "only" (wht. threaded)
.25		4730E3151	crumb cup & basket
.40	3	4757-0861	elbow pkg.
		4757-9131	1 1/4" rubber washer
	4	4715-4501	1 1/4" hose clamp
.80	5	4060012503P	1 1/4" drain hose pkg. (10' pc.)
		Note: must cut hose to length	
.75	6	4758C5431	drain trap assy. 4048 S1
.75		4767B5811	drain trap assy. 4036 S2
	7	4757-0851	1 1/2" nut
.10	8	4714A2861	cap & strap
	9	4737-9138	drain adapter
.40	10	4757A0871	adaptor 1 1/4" barb
.20	11	4757-9261	vent cover "plastic"
1.00	12	4741B9301	shower vent assy. 4048 S1



Flat Rate	Code	Part #	Description
.15	1	4701-1191	stove cover assy. 2 burner
.15	2	4701-1201	2 burner cook top
.05	3	4716-2631	stove top screw/washer m2
.05	4	4752A9881	stove grate
.10	5	4716A2671	stove cover hinge
.15	6	4733-4018	stove cover latch
.15		4733-4028	stove cover strike
.05	7	4716A1861	knob
	8	4732A2291	edge molding m2
.25	9	4716A2661	stove fin "right"
.25		4716A2651	stove fin "left"
.15	10	4716A2641	stove fin stay brkt. m2
.75	11	4748D2581	2 burner stove box

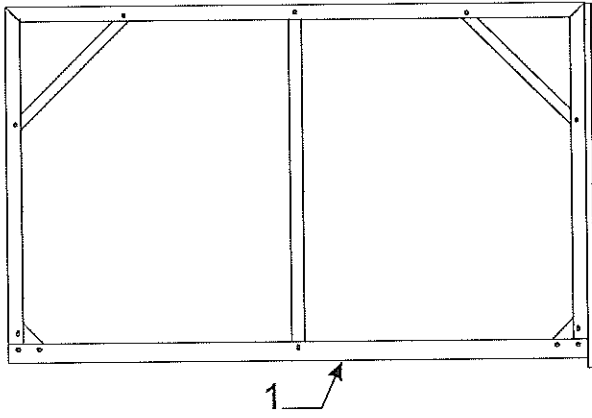
Flat Rate	Code	Part #	Description
.15	1	4772A5701	oven/range cover assy.
.15	2	4772A1801	steel prop rod
		4772-283	nylon washer x2
		1201B6378	nut
	3	4720A0721	plastic clip m2
		4734J1861	rivet "black" m25
	4	4350000126	flex-tred abrasion tape
	5	4772A397	cover hinge
.10	6	4716A2911	3 br. range/oven cook top
.05	7	4716-2901	3 br. range/oven grate



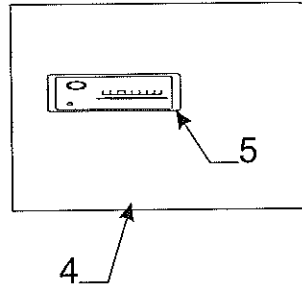
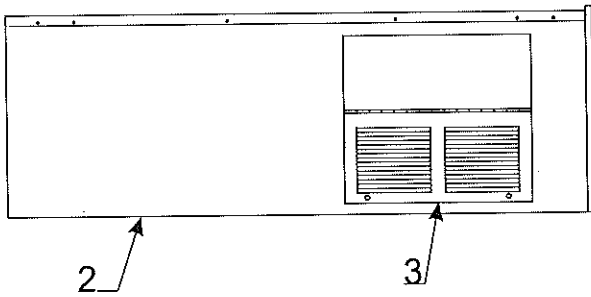


Upper & Lower Galley Assy. Components - 4036 S2 Flat

Rate	Code	Part #	Description
1.00	1	4800-3361	upper galley top
.30	2	4710F0301	sink
		Note: refer to page 16 for sink components	
1.00	3	4767-4471	mixer faucet
		4758-8508	dual facet use decal
.25	4	4701-1131	galley rest pole
		4752-0551	plastic cap m2
	5	Note: refer to page 17 for stove components	
.15	6	4744A9261	knuckle latch m4
		4738-3088	screw x2
.15	7	4800A337	galley front/side wraparound
.15	8	4701-1171	door panel - 15 3/4" x 7 3/4"
.15		4733-6391	latch & strike pkg.
.10	9	4701-1181	door pull (includes screw)
.10	10	4739C0511	hinge
		4749C4591	screw #6 x 3/8" m12
1.50	11	4800A332	lower galley frt. rt.
	12	4066500053P	edge molding (8' pc. pkg.)
	13	4800-401	shelf
	14	4800-439	shelf baffle
.15	15	4800-0601	heater vent "black"
.15	16	4800A2241	return air vent "black"
.50	17	4757-2621	upper galley hinge
.50	18	4800-466	lower galley support
1.25	19	4800A3311	lower galley top
		4064795603P	u-channel "black" 48" pc.
.20		4701-1461	kill switch m4
.20		4733C4981	rocker switch (elec. pump)
.75	20	4800-3351	seat gazoodi
.30		4064700091P	t-molding (8' pkg.)
.10	21	4716-9691	hose strap pkg.

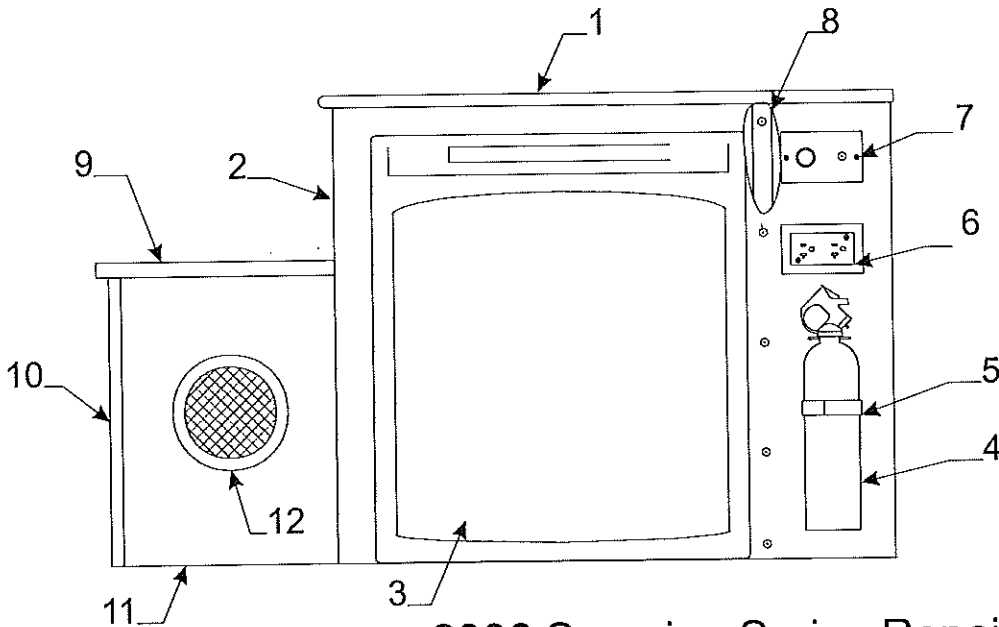


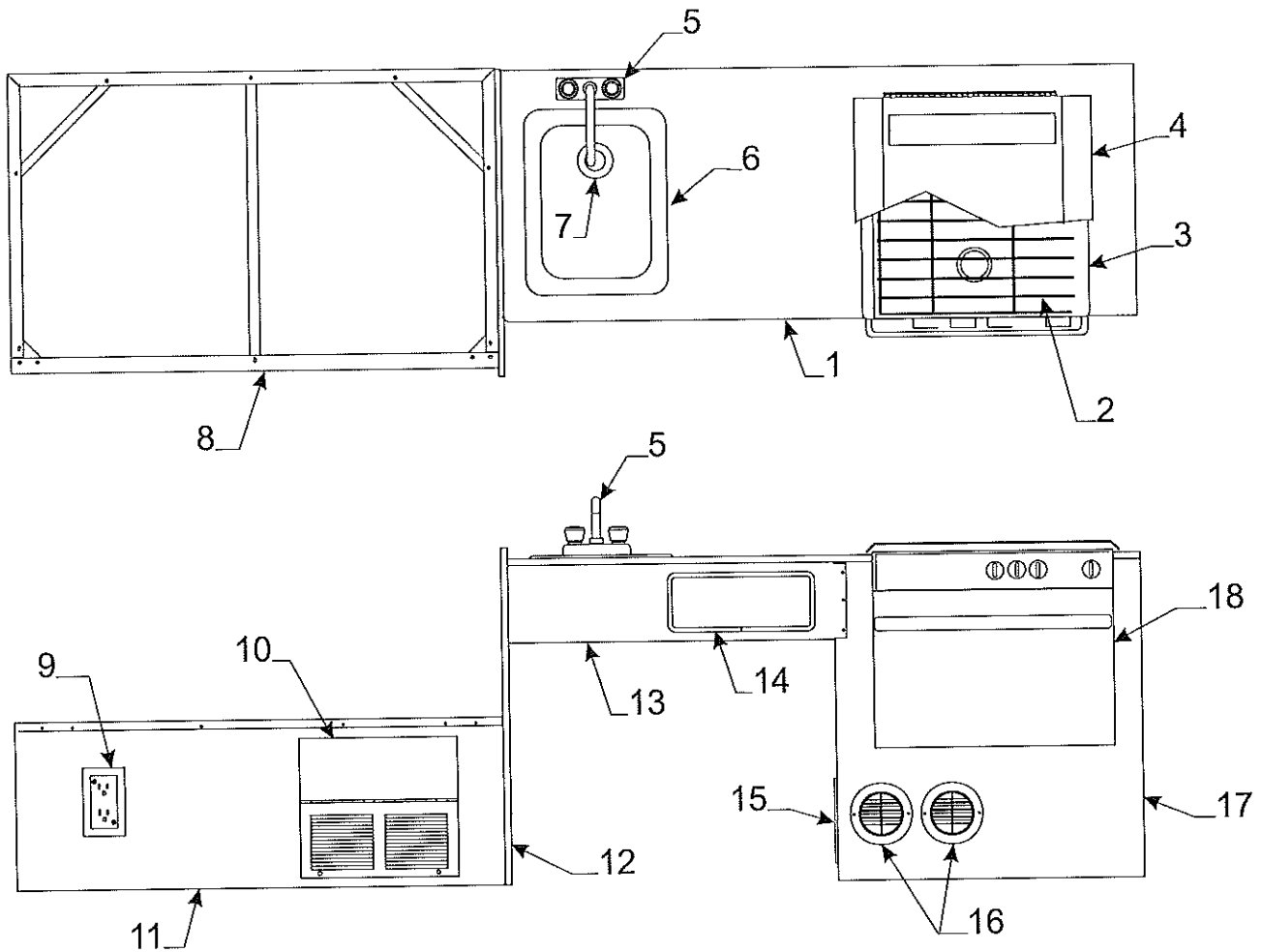
Flat Rate	RS/CS Code	Bench Part #	Components 4036 S2 Description
1.00	1	4800-629	rs seat bench frame
1.00		4800-648	cs seat bench frame
.20	2	6010415698P	wood pnl. 48" x 48"
1.00	3	4772A2441	35 amp converter
.35	4	4800A3881	cs seat end
.35		4800-3351	rs seat end
.50	5	4765C1121	stereo
		4765A1141	stereo antenna



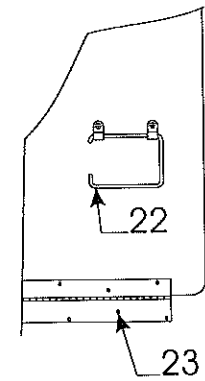
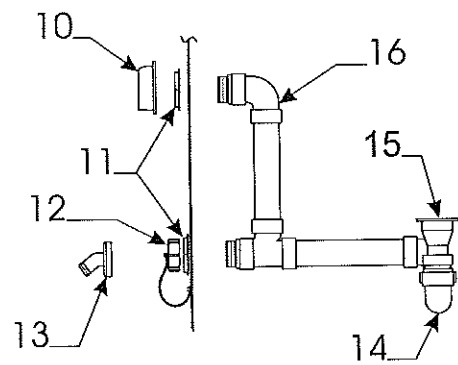
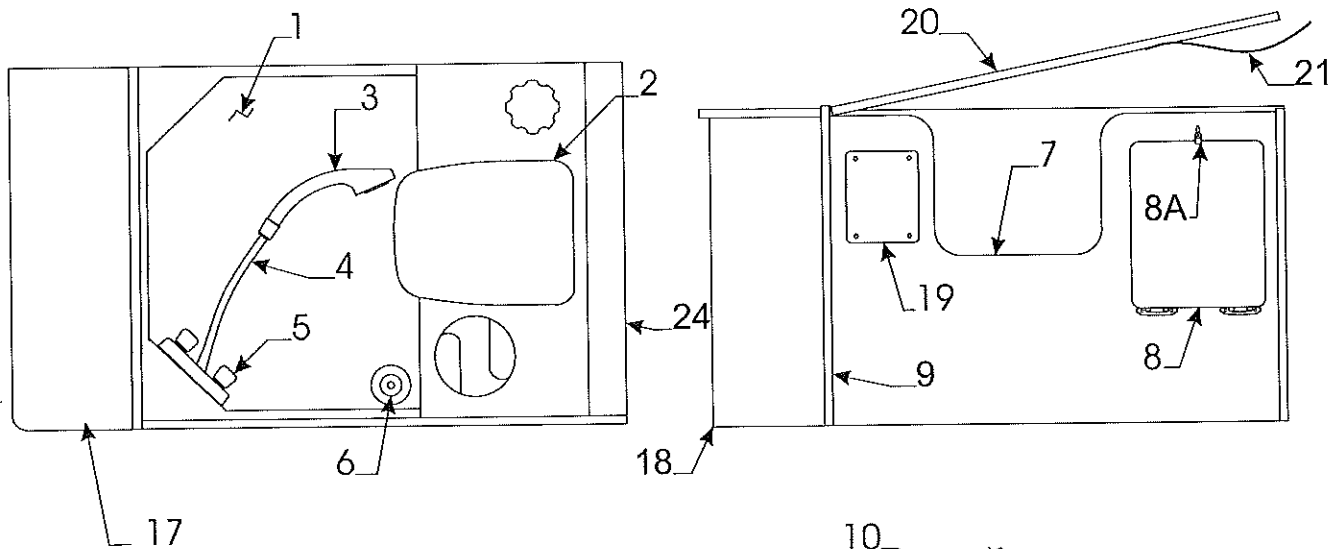
Corner Cabinet Assy. - 4048 S1, 4036 S2

Flat Rate	Code	Part #	Description	Flat Rate	Code	Part #	Description
.25	1	4800C0991	cabinet top S1, S2		7	4757B4881	12v/coax outlet
.30	2	4800-329	cabinet frt./side 4036 S2	.25	8	4800-072	cabinet baffle S1
.30		4800-073	cabinet frt./side 4048 S1	.25		4800-471	cabinet baffle S2
	3	4772B245	refrigerator 3.0 cu. ft. S1	.25	9	4800-4671	step top
		4750D920	refrigerator 1.9 cu. ft. S2	.35	10	4060115606P	f-channel 48" m2
.25	4	4737A5558	fire extinguisher	11	6010115698P	5/32" luan "blk" 48" x 48"	
	5	4761-9131	mount w/strap	.15	12	4800-3911	speaker/grill
.30	6	4752-2371	20 amp receptacle				



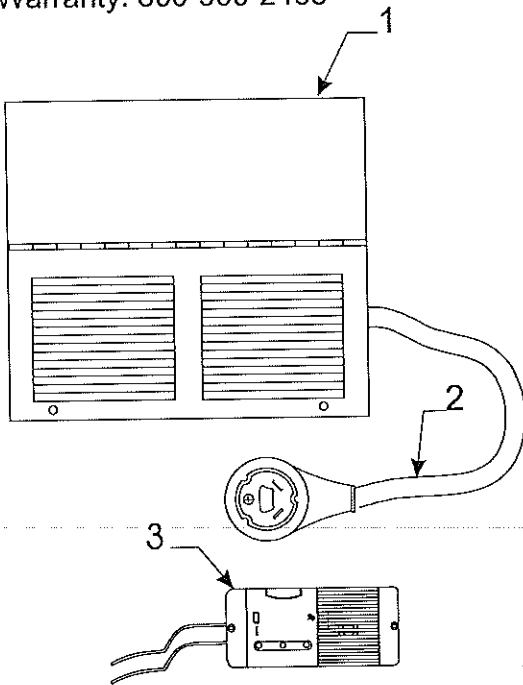


Galley Components - S1				
Flat	Rate	Code	Part #	Description
	1.00	1	4800-3551	galley top
	1.00	2	4716-2901	range/oven grate
	.05	3	4716A2911	range/oven cook top
	.10	4	4772A5701	range/oven cover assy.
				Note: refer to page 17 for cover components
	1.00	5	4745E2741	mixer faucet
	.30	6	4710F0301	stainless steel sink
		7	4714C0661	crumb cup & basket
	1.00	8	4800-629	seat frame assy.
	.20	9	4752-2361	15 amp receptacle
	1.00	10	4772A2441	35 amp converter
	.20	11	6010415698P	wood pnl. 48" x 48"
	.75	12	4800-3351	seat gizzard
	.30		4064700091P	t-molding (8' pkg.)
	1.00	13	4800A353	galley front/shelf
		14	4066500053P	edge molding "black" (8' pc. pkg.)
	.20	15	4800A2241	return air vent "black"
	.15	16	4800-0601	round heater vent "black"
	1.50	17	4800-354	galley front 'metal'

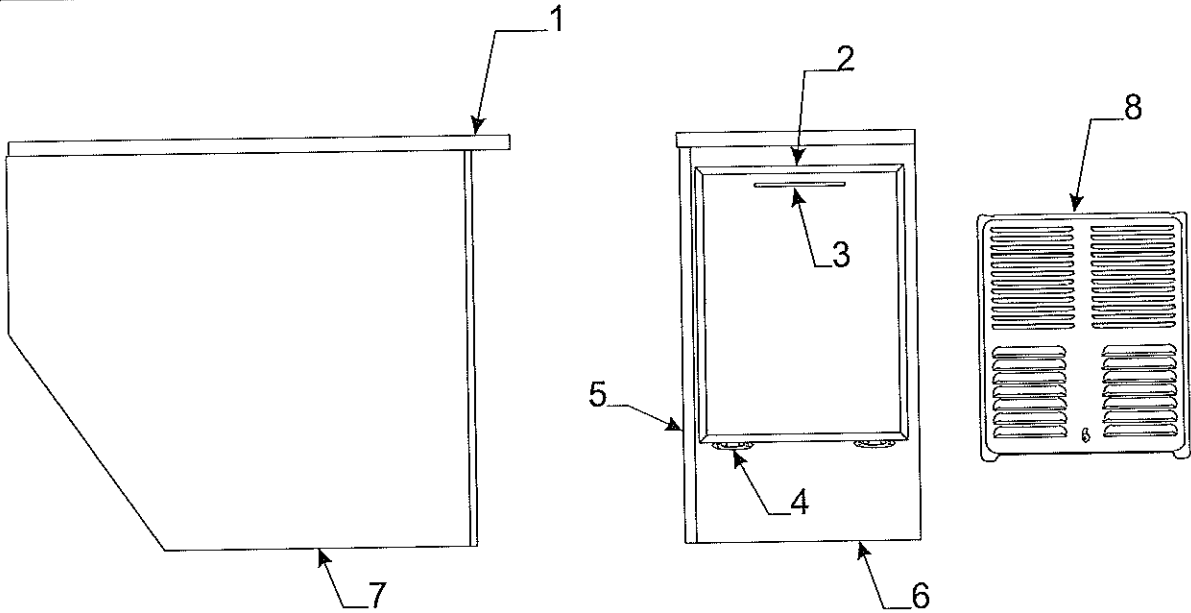
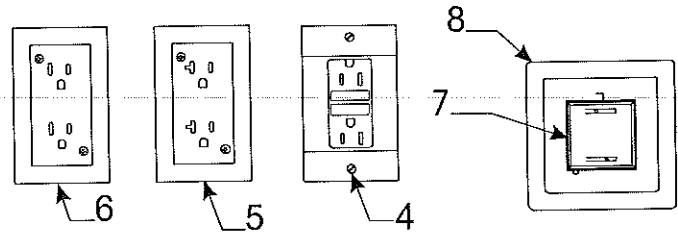


Flat Rate	Code	Part #	Description
1.50	1	4759A1001	shower pan
.75	2	4746C2461	cassette potty
.15	3	4767-0101	shower head w/bracket
		4767-0111	shower head brkt. (c-shape)
.20	4	4741B2051	shower hose (72" length)
.50	5	4741B2071	shower diverter
.10		4716-0848	shower hose connector
.50	6	4746A1821	basket & strainer
1.50	7	4800-4031	shower threshold
.30		4060300083P	t-molding (threshold) (12' pc.)
.15	8	4800A5411	hinged door
.15	8A	4702-0321	turn latch & rivet "black"
.75	9	4800-4021	shower wall
.30		4060400091P	1/2" t-molding pkg. (12' pc.)
.20	10	4757-9261	vent cover "plastic"
.50	11	4757-0921	metal nut "white"
.10	12	4714A2861	cap & strap
	13	4737-9138	drain adapter
.40	14	4752-3621	p-trap w/union joint
	15	4757-8561	drain plug adapter
1.00	16	4741B9301	vent system
.25	17	4800-4211	cabinet top
.50	18	4800-4221	cabinet frt./side panel
		4066500053P	edge molding (8' pc. pkg.)
.50		4765C1121	stereo
.10	19	4800-4051	access cover
.40	20	4800-6491	shower cover board
.05	21	4754-7401	hold-up strap
.15	22	4756-9121	TP holder
		4747-2531	nylon clamp m2
.25	23	4800-4451	shower board hinge
	24	4800-404	shower back angle
	25	4741D6361	tub package. (Not Shown)

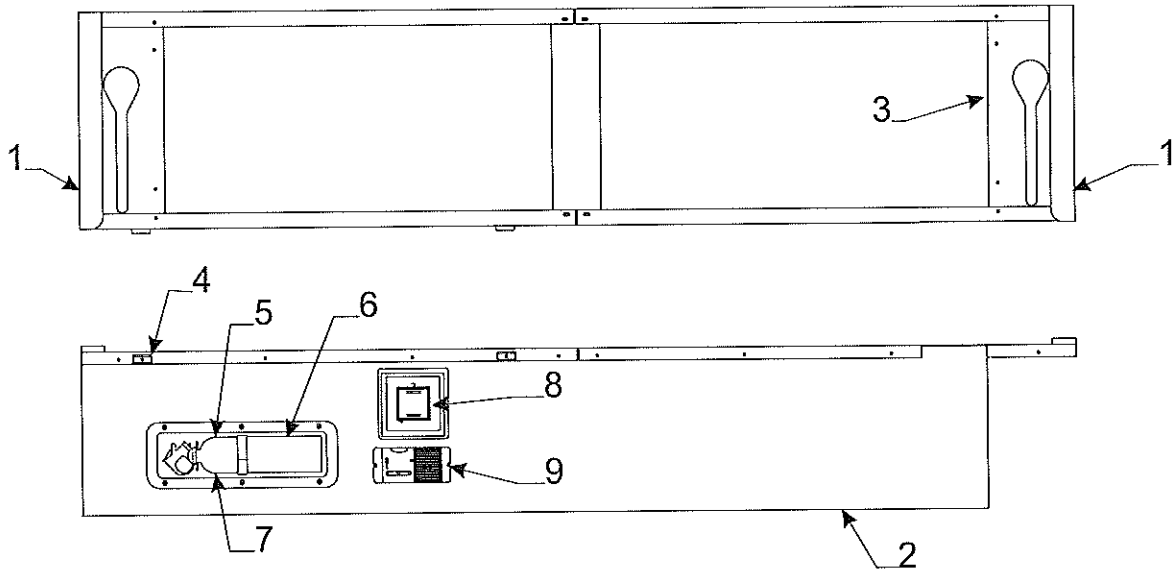
WORLD FRIENDSHIP CO., LTD
 Warranty: 800-900-2468



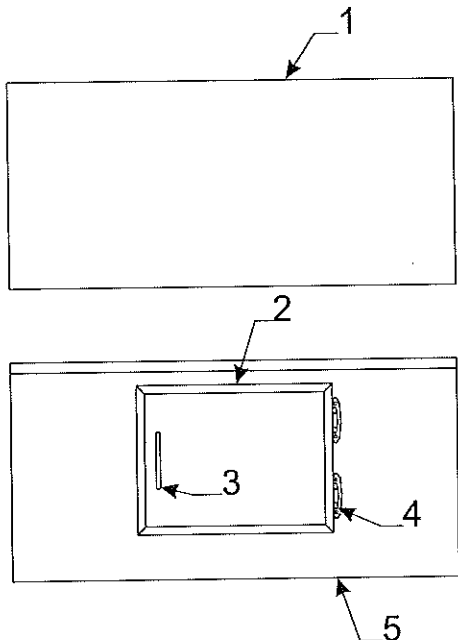
Flat Rate	Code	Part #	Description
1.00	1	4772A2441	converter 35 amp WFCO
.30		4757-3401	15/20 amp double breaker
.30		4757-3411	15/15 amp double breaker
.30		4765-9841	15 amp single breaker
.30		4757-8601	30 amp main breaker
.60	2	4772-1601	power cord 32 ft.
.25	3	4753B9171	lp gas detector
.35	4	4746B3841	15 amp GFI receptacle (white)
.20	5	4752-2371	20 amp receptacle (white)
.20	6	4752-2361	15 amp receptacle (white)
.20		4765-4041	15 amp reefer receptacle (white)
		4746A3851	receptacle box
	7	4752A8461	thermostat
.20	8	4701-2341	plastic base & bracket



Flat Rate	Code	Part #	Description
.30	1	4701-3371	cabinet top
.15	2	4701-1481	door pnl. 9 1/4" x 12"
.15		4733-6391	latch & strike pkg.
.10	3	4755B2681	door pull (includes screw)
.10	4	4739C0511	hinge x2
.65	5	4064737503P	3/8" f-channel 48" pc.
	6	4701-3351	cabinet front
.30	7	6010415698P	universal panel 48" x 23 13/16"
.10	8	4743A3551	furnace grill

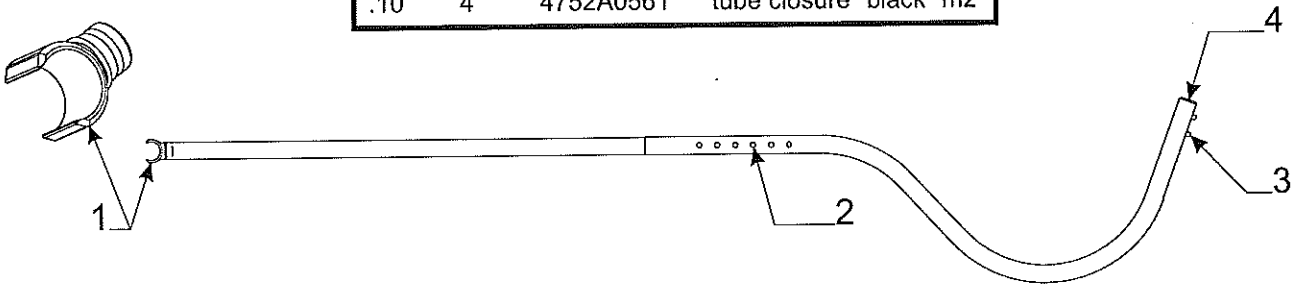


RS Bench Components - 4038 S3			
Flat Rate	Code	Part #	Description
.20	1	4701-3631	cushion spacer (plastic)
.30	2	6010415698P	universal wall panel 48" x 23 13/16"
.20	3	4701-345	seat end support x2
.15	4	4754A8491	bed rest
.05	5	4716-1191	fire extinguisher strap m2
.10	6	4737A5558	fire extinguisher
.15	7	4737B4198	recessed mount
		4738-3088	screw x6
*	8	4752A8461	thermostat
.20		4701-2341	plastic base & bracket
.25	9	4753B9171	lp gas detector "black"

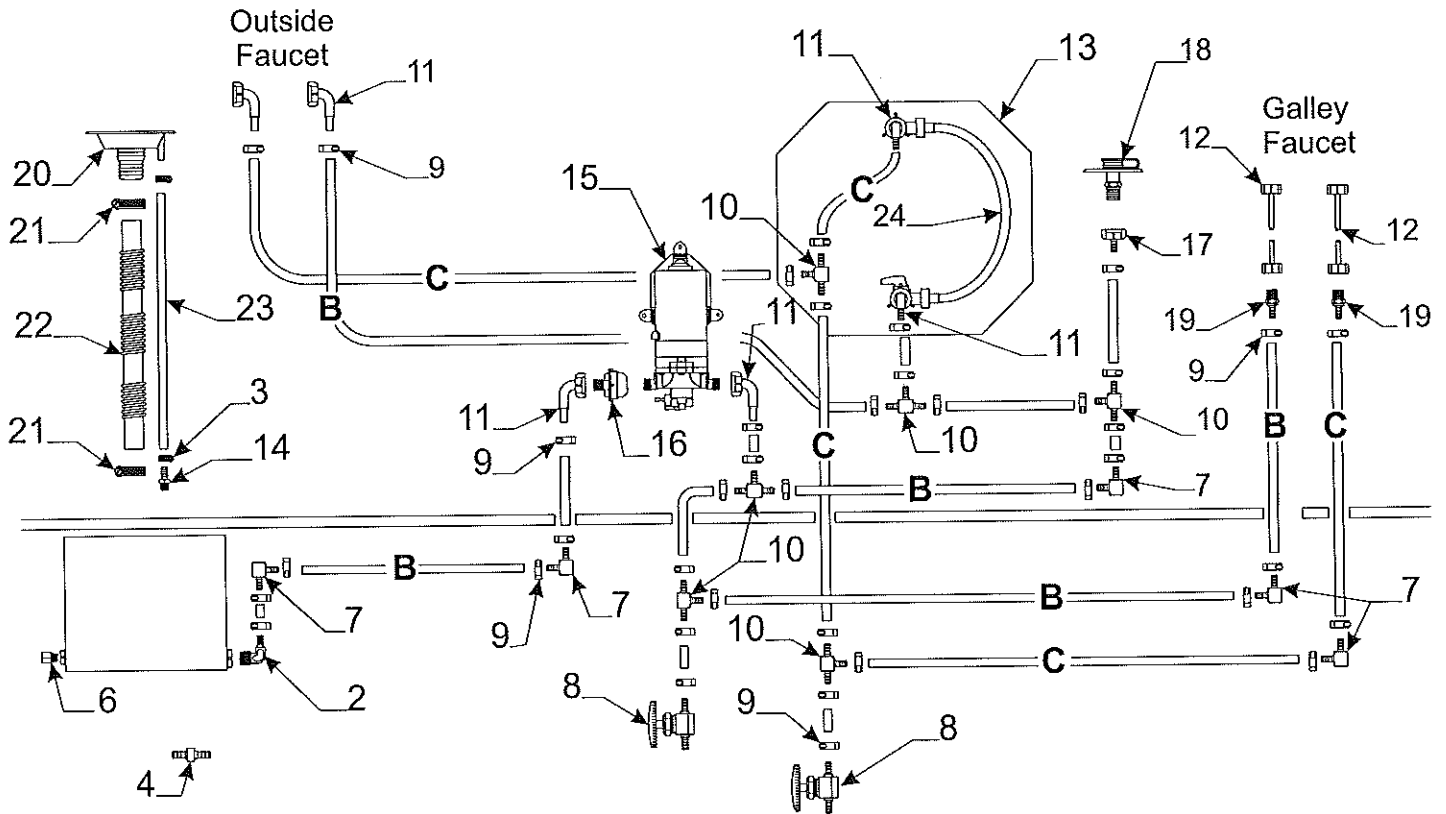


Front Center Cabinet Components - 4038 S3			
Flat Rate	Code	Part #	Description
.30	1	4701-3401	cabinet top
.15	2	4701-1481	door pnl. 9 1/4" x 12"
.15		4733-6391	latch & strike pkg.
.10	3	4755B2681	door pull (includes screw)
.10	4	4739C0511	hinge x2
.50	5	4701-3391	cabinet front

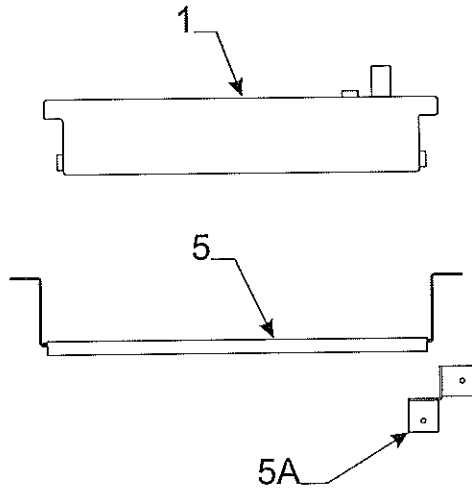
Tent Support Components			
<u>Flat Rate</u>	<u>Code</u>	<u>Part #</u>	<u>Description</u>
.20	1	4757-4301	tent support clasp m10
.10	2	4734-6708	spring assy.
.10	3	4734A6708	spring assy.
.10	4	4752A0561	tube closure "black" m2



Tent Support Assemblies (Complete)		
Flat Rate .10 per Tent Support		
	<u>Front Bed</u>	
4036 S3	4701A6031	
	<u>Curbside Bed</u>	<u>Roadside Bed</u>
4048 S1, 4038 S2	4754C7501	4800A6531

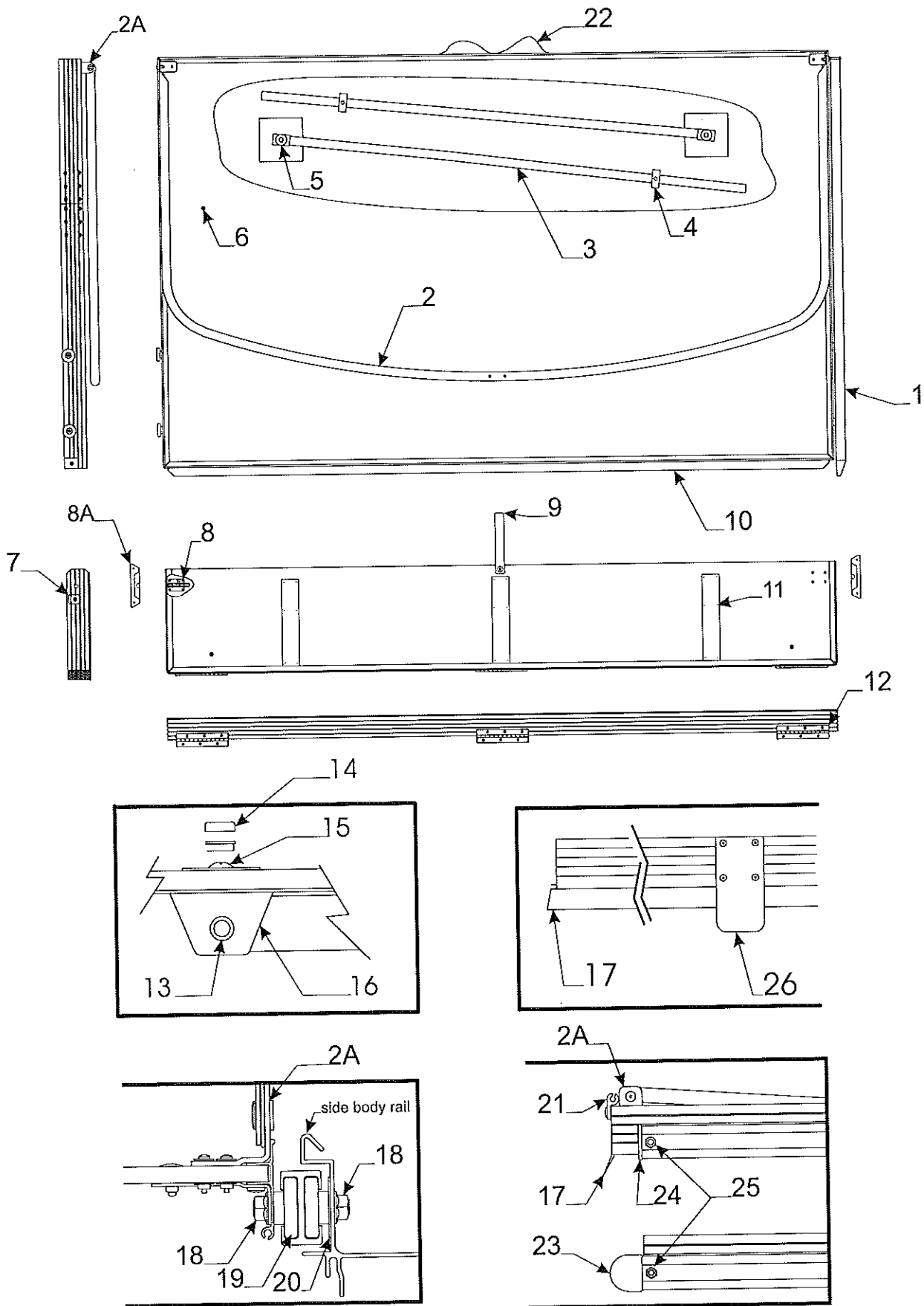


B 4060050006P 3/8" I.D. Pex tubing "cold" (20' pc. pkg.)
 C 4060050007P 3/8" I.D. Pex tubing "hot" (20' pc. pkg.)
 4714-038 3/8" I.D. High pressure hose (sold/foot)



Flat Rate	Water System & Related Parts - S1, S2	Code	Part #	Description\
1.50			4800-0741	water tank
.25		2	4741C2371	elbow "plastic"
		3	4731-3058	adjustable hose clamp 3/8"
		4	4755-4821	brass barbed union m10
.20		5	4800-112	tank hanger brkt. x2
.20		5A	4800-113	tank hanger corner brkt x4
.15		6	1218-7001	plug
.25		7	4741C2391	brass elbow "Pex" m2
.20		8	4741E2361	brass line drain "Pex"
.25		9	4741A2751	stainless steel clamp m100
.25		10	4741C2381	brass tee "Pex" m10
.20		11	4741B9061	copper swivel elbow
.50		12	4757-3671	48" pex riser
*		13	4750-3421	water heater
.15		14	4732B4561	hose adapter
.50		15	4741D5571	electric water pump
.25		16	4747A8311	water filter
.20		17	4741A9561	female adapter "copper"
.30		18	4701-0781	city fill
.20		19	4757-3631	brass adapter 3/8" barb
.30		20	4701-0771	fill spout
		21	4715-4501	adjustable hose clamp
.35		22	4731H1081	water fill hose (3' pc.)
.20		23	4060050003F	1/2" h.p. hose (sold/ft.)
		24	4765-9971	water heater bypass kit

* Warranted By Vendor

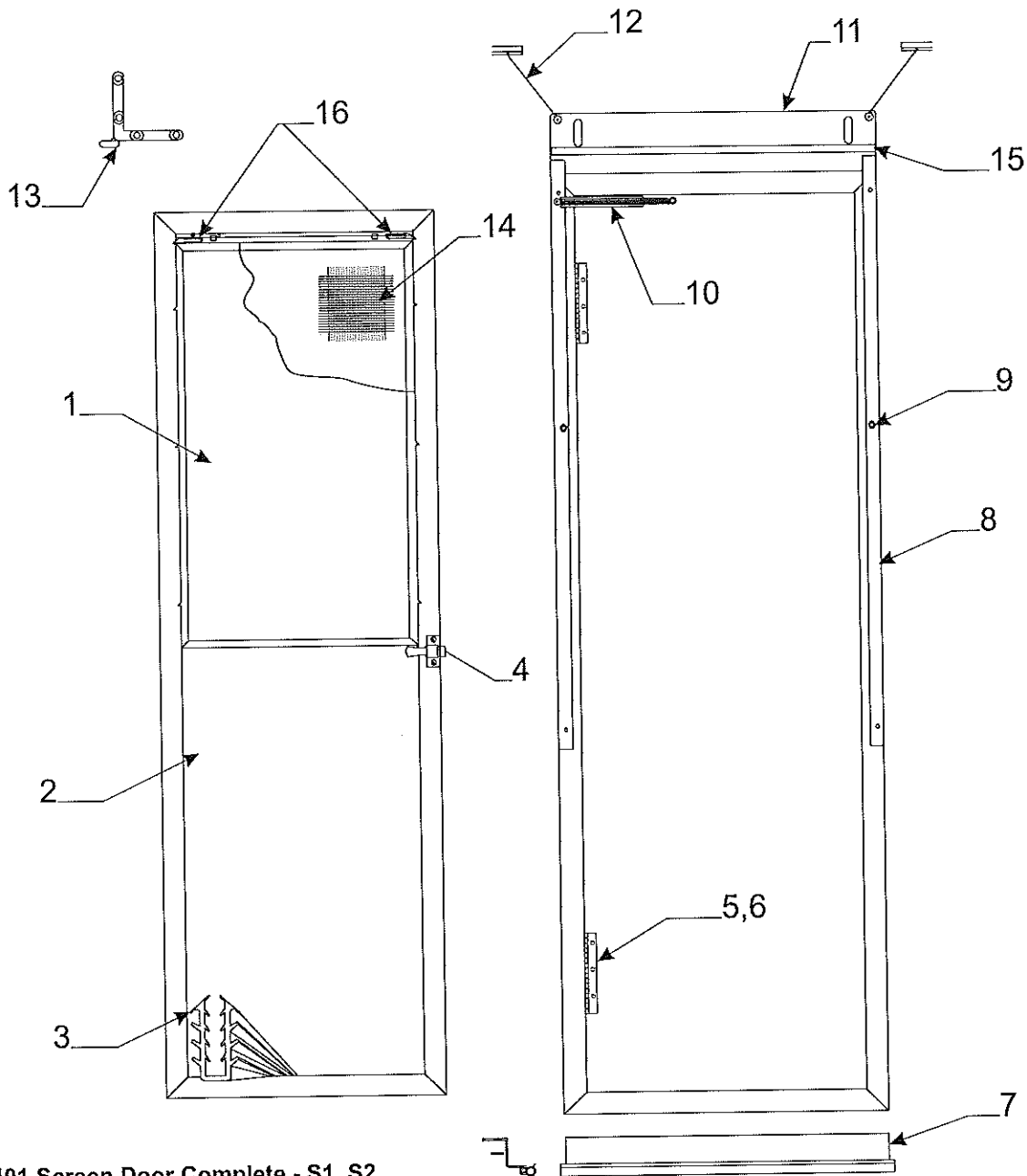


4048 S1	-	4800-6511	Roadside Bed Assy. "Complete" F.R. - .75
4048 S1	-	4800A5261	Curbside Bed Assy. "Complete" F.R. .75
4048 S1, 4036 S2	-	4800-6501	RS Hinged Expanda Bed Assy. "Complete" F.R. .75
4036 S2	-	4800-6551	Roadside Bed Assy. "Complete" F.R. - .75
4036 S2	-	4800-6541	Curbside Bed Assy. "Complete" F.R. .75
4038 S3	-	4701-58881	Frnt. Bed Assy. "Complete" F.R. .75

** .50 first extension

** .25 second extension

Flat Rate	Code	Part #	Description
**	1	4716U4031	bed extension (x2 per bed)
			Note: must cut bed extension to size where applicable
.25	2	4772A2091	tent bow/leg package - 4048 S1, 4036 S2
.25		4701-3171	tent bow/leg package - 4038 S3
.15	2A	4720K5631	bed bow bracket M2
.05		4757-9241	1 1/2" nylon fender washer m4
.20	3	4800-4161	bed leg assy. (x2 rs bed) 4048 S1
.20		4800-0441	bed leg assy. (x2 cs bed) 4048 S1
.20		4800-6561	bed leg assy. (x2 cs/rs bed) 4036 S2
.20		4701-4491	bed leg assy. m2 (x2 front bed) 4038 S3
.15	4	4720C0771	bed leg clip m4
		1203-8831	rivet m25 (rivet clip to bed)
.20	5	4737A4178	support plate
.15	6	4720D4021	lashing hook m6
		1203-8741	rivet m25 (rivet hook to bed)
	7	4757-1601	bed shim x2
	8	4763-1181	dead bolt lock
	8A	4800-4131	bed lock bracket (loc. on body rail)
		4733-4118	tek screw
	9	4753A9381	bed strap
	10	4800-425	bed rest
	11	4753B855	velcro x3
	12	4720C3601	hinge x3
	13	4720A2361	rod & pal nut
	14	4739E2908	screw cap m10
		4739-2918	screw cap washer m10
	15	4716-074	screw
		1202B2528	washer
.20	16	4734A5141	bed leg bracket
.25	17	4060400339P	vinyl bed seal "gray" (8' pc. pkg.)
	18	4739-2298	lock nut
.50	19	4754-8101	bed roller, nut, bolt, & washer pkg.
	20	1202B2908	washer
.50	21	4758-8301	bed end retainer track & rivets
.20	22	4758-9481	pull-out handle strap & rivets
		4758-8001	rivet "black" m25
.15	23	4754-4821	bed slide wedge
.15	24	4754-8631	bed slide end cap
.20	25	1034B16128	flat head screw
		1201B6378	lock nut
.25	26	4800-0451	kill switch shutoff plate



4701-5401 Screen Door Complete - S1, S2
 4701-6021 Screen Door Complete - S3
 .30 Flat Rate Screen Door Complete

Note: parts marked w/* asterisk are not included w/screen door

Flat Rate	Code	Part #	Description	Flat Rate	Code	Part #	Description
.10	1	4713-0141	top sliding window pane	.20	10	4731A8201	spring package
.40	2	4701A1601	stationary window pane	.30	11	4773-0611	top bracket - S1
.15	3	4060000086F	rubber seal (sold/foot)	.30		4758B0571	top bracket - S2
		Note: around perimeter of window pane		.30		4701A3781	top bracket - S3
.15	4	*4742-9671	door latch assembly	.30		4773-063	top brkt. hinge - S1
.15	5	4720C3601	hinge x2	.15	12	4772A5181	cable assy. m6
	6	1203-8641	rivet m25	.50	13	4710-3791	corner brace hinge m2
.25	7	*4747B5621	screen door support		14	4716-1381	screened stationary pane
		*4060000399F	rubber seal (sold/foot)	.75		4716-1111	screening 36" x 18 1/2"
.20	8	4754-3811	vel-stick (pkg. of 2)	.10	15	4060000023P	d-seal "white" (5' pkg.)
.05	9	4730A3548	stud w/screw x2	.50	16	4716-3811	window lock pkg. rt./lt.

Cushion/Backrest Assemblies & Covers - 2006 Scorpion Series Flat Rate .10 Assembly - .25 Cover

<u>Model</u>	<u>Cushion Assembly</u>	<u>Cushion Cover</u>	<u>Model</u>	<u>Backrest Assembly</u>	<u>Backrest Cover</u>
4048 S1	4701-6351	4713-6351	4048 S1	4800B6361	4713B6361
4036 S2 (RSR)	4701-6351	4713-6351	4036 S2 (RSR)	4800B6361	4713B6361
4036 S2 (CSR)	4800-6581	4713-6581	4036 S2 (CSR)	4800-6591	4713-6591
4038 S3	4701-6051	4713-6051	4038 S3 (used x2)	4701-6061	4713-6061

Plastic Cushion Button x2 - 4710-2681 m5

Items used on S3 pull-out cushion assy.

- Washer - 1202B2528 x2
- Screw - 1022B0820 x2
- Plastic Spacer - 4724-2608 x2
- Cushion leg - 4701-3751 x2
- Tube closure - 4752A0561 m2

Cushion & Backrest Dimensions

<u>Model</u>	<u>Cushion Assy.</u>	<u>Backrest Assy.</u>
4048 S1	39 3/4" x 23" x 4"	38 3/4" x 17 3/8" x 3"
4048 S2 (rsr)	39 1/4" x 23" x 4"	38 3/4" x 17 3/8" x 3"
4036 S2 (csr)	45 1/4" x 23" x 4"	45 1/4" x 17 3/8" x 3"
4038 S3	77 3/8" x 19 3/8" x 3"	39" x 10 3/8" x 3"

Drape Package

- 4701A5461 - S1, S2
- 4701-6651 - S3

Drape Tab C-Shape m60 - 4750-2891 Flat Rate - .05

Privacy Curtain Pkgs. (Set of 2 Panels)

- .15 4713A5461 - S1, S2
- .15 4713-0511 - S3

Single Drape Panel w/Safety Straps

- .15 4713-0011 Single Drape Panel 52" x 44" - S1, S2
- .15 4713-0021 Single Drape Panel 35" x 44" - S1, S2
- .15 4713-0481 Single Drape Panel 48" x 48 1/2" - S3

Drape Tie Package (Qty. 1) - Flat Rate - .05
4701-5471

Shower Curtain - 4048 S1

- 4757-7301 - vinyl shower curtain pkg.
- 4748-8161 - shower curtain clip m10

Flat Rate .50 per cover

Mattress Assemblies & Covers

<u>Model</u>	<u>Matt. assy. front</u>	<u>Matt. Cover front</u>
S3	4701-3961	4713-3961

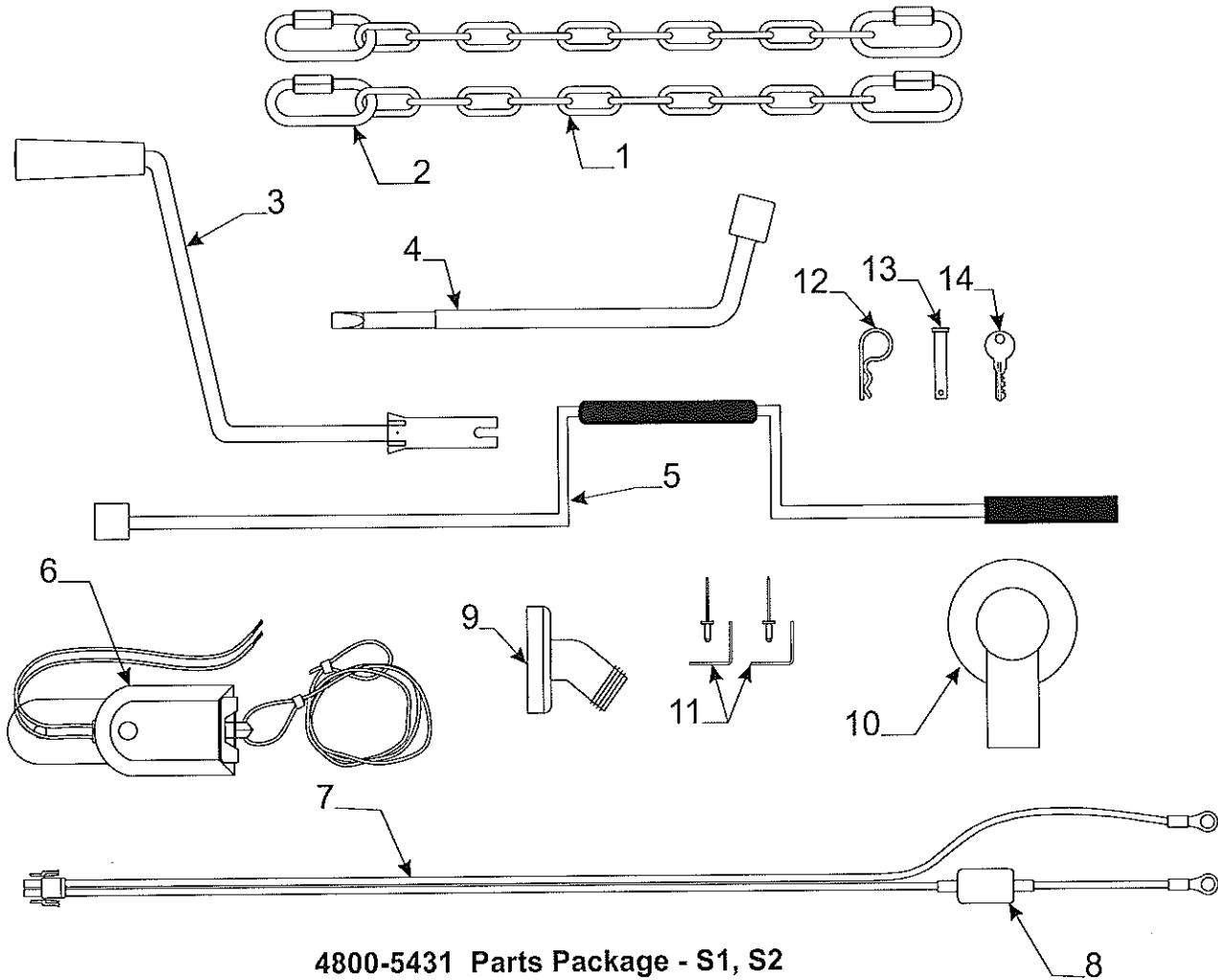
<u>Model</u>	<u>Matt. assy. rs/cs</u>	<u>Matt. Cover rs/cs</u>
S1, S2	4800A2341	4713A2341

<u>Model</u>	<u>Expanda Bed Matt. assy.</u>	<u>Expanda Bed Matt. Cover</u>
S1, S2	4800-6521	4713-6521

Mattress Assembly Dimensions

<u>Model</u>	<u>Frnt. Matt. Assy.</u>	<u>Model</u>	<u>Expanda Bed Assy.</u>
S3	77" x 52" x 3 1/2"	S1, S2	77" x 12" x 3 1/2"

<u>Model</u>	<u>CS/RS Matt. Assy.</u>
S1, S2	77" x 46" x 3 1/2"



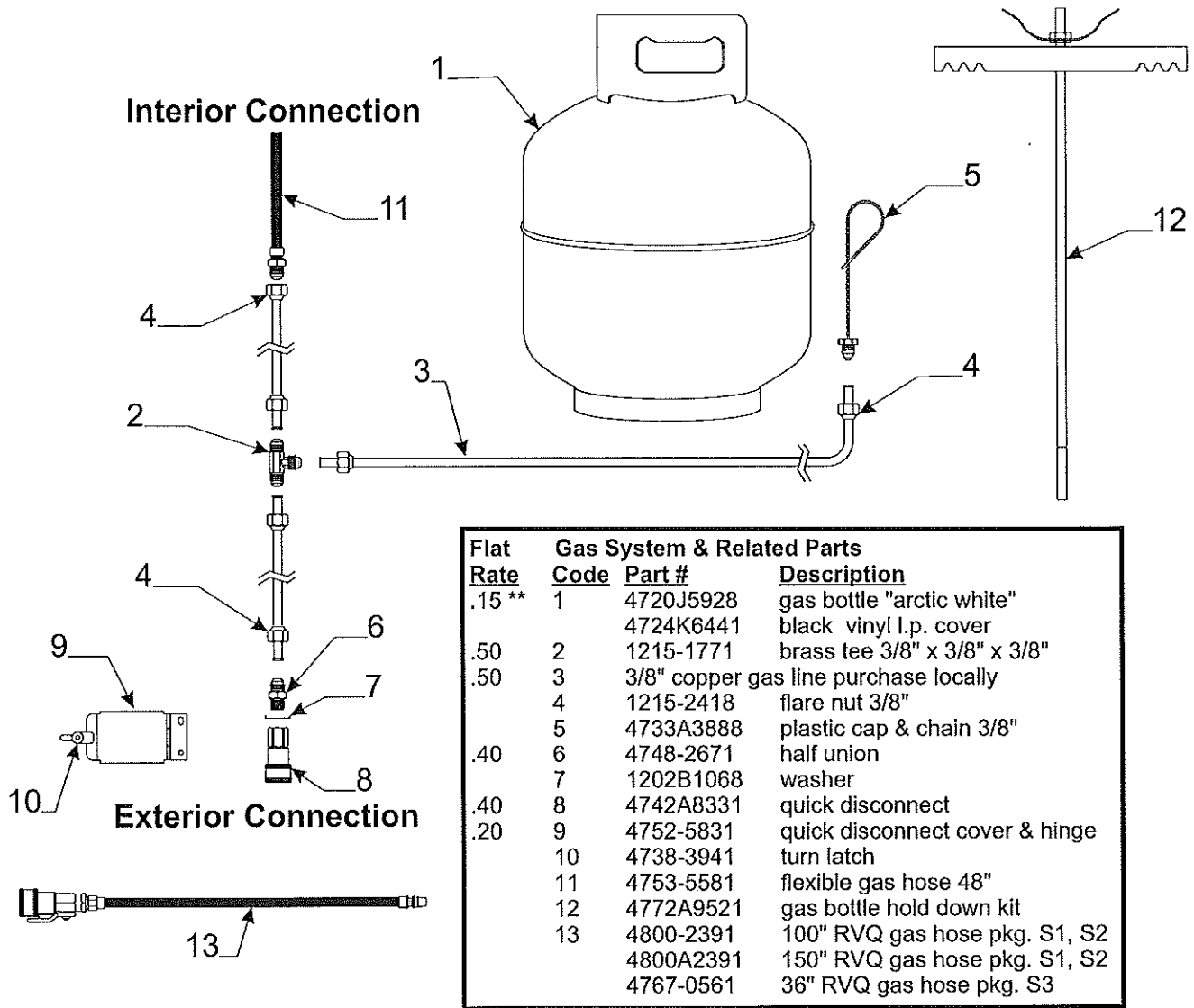
4800-5431 Parts Package - S1, S2
4701-6191 Parts Package - S3

** Safety chains for models S1, S2 must be ordered through Lippert Components (chassis service) at -574/642-3927

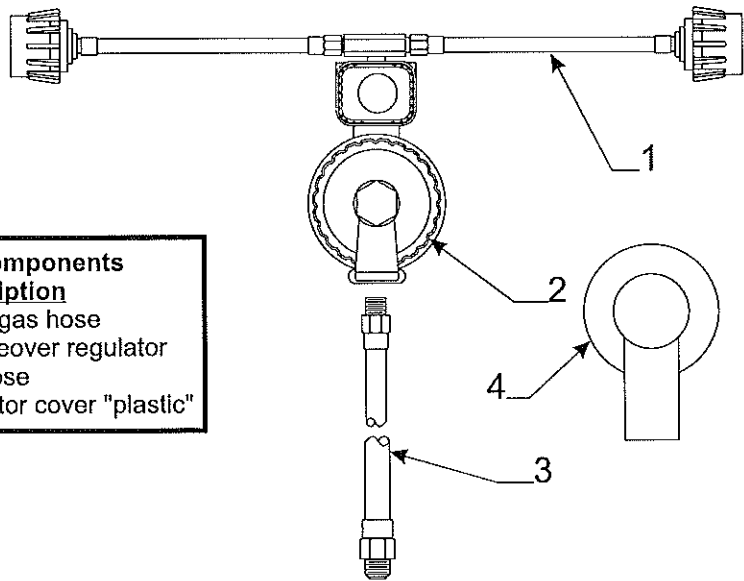
Parts Package Component Parts

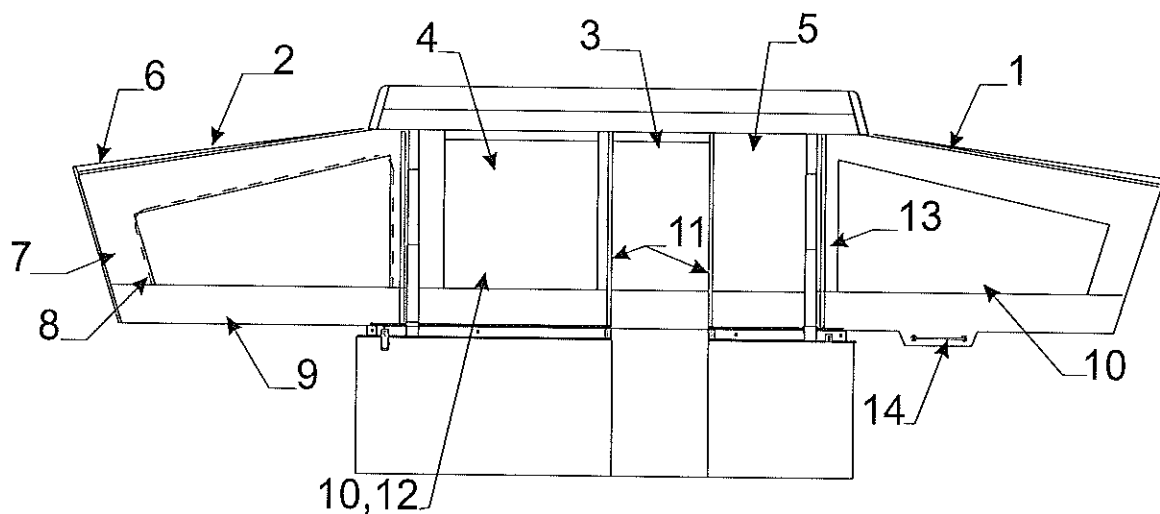
Code	Part #	Description
1	**4757-3901	29" tow chain w/quick links m2 - S3
2	**4757-3891	quick link (sold/signally) - S3
3	4747G4141	crank handle S1, S2
	4701-3851	crank handle S3
4	4749A1861	lug nut wrench - S3
	4800-2681	lug nut wrench - S1, S2
5	4761-2401	stabilizer crank - S1, S2
6	4746-0401	breakaway switch
7	4749B5531	battery harness w/15 amp breaker
8	4751-4811	15 amp circuit breaker
9	4737-9138	drain adapter
10	1201-6258	wing nut x2
11	4753E6781	battery angle pkg.
12	4732A4791	safety pin m10
13	4771-2631	1 3/4" hitch pin m5
	4757-4491	3" hitch pin m5
14	4730B3211	key m10 # 8025 (gold plated)

**** Serial Number Of Gas Bottle Must Be Supplied When Submitting Warranty**

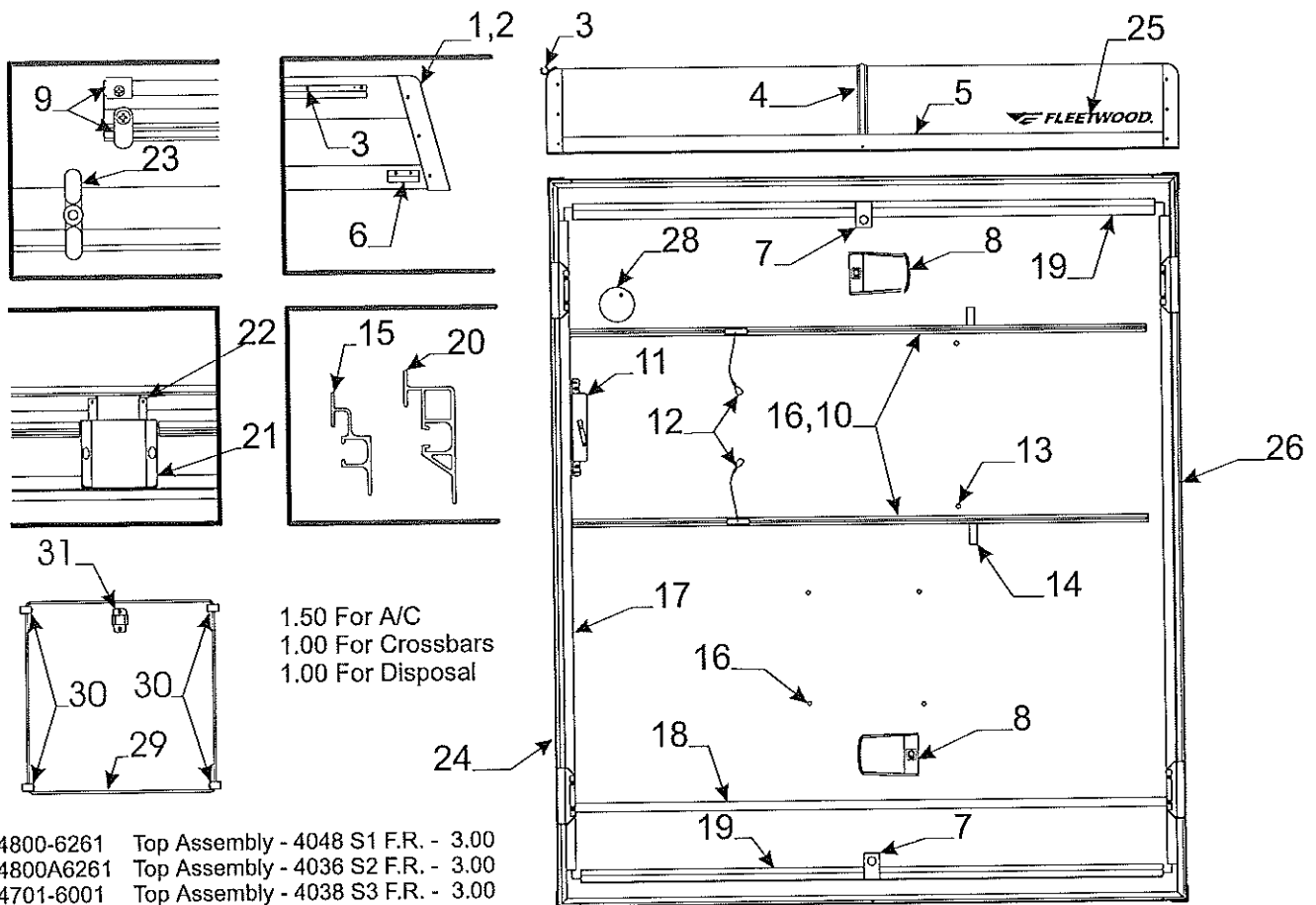


Flat Rate	Code	Part #	Description
	1	4761-1921	12" lp gas hose
	2	4772A6111	changeover regulator
	3	4737-8871	gas hose
	4	4734C3781	regulator cover "plastic"





Tent Sections & Related Parts - S1, S2, S3			
Flat Rate	Code	Part #	Description
.50	1	4800A5491	curbside boot 4048 S1
.50		4800-6451	curbside boot 4036 S2
.50	2	4800-6571	roadside boot 4048 S1 S2
.50		4800-6661	roadside boot 4036 S2
.50		4701-6141	front boot 4038 S3
.20	3	4800-5501	large window (frt. of unit) 4048 S1
.20		4800-6421	large window (frt. of unit) 4036 S2
.20		4701-6181	curbside large window 4036 S3
.20		4701-6171	roadside large window 4036 S3
.20	4	4800-5511	small window (lt. of door) 4048 S1
.20		4800-6411	small window (lt. of door) 4036 S2
.20		4701-6151	small window (lt. of door) 4038 S3
.15	5	4800-5521	door seal (rt. of door) 4048 S1
.15		4800-6461	door seal (rt. of door) 4036 S2
.15		4701-6161	door seal (rt. of door) 4038 S3
	6	8118501430P	top vinyl pkg. (85" x 3 yards)
	7	4716C0851	sunbrella patch package (12" x 14")
	8	6650500131F	zipper (sold/yard) used around window
		1225A4461	zipper pull m5
	9	8118001440P	black bottom vinyl facing pkg. (3 yd. x 80")
	10	4714E1611	screen package (84" x 3 yards)
		4714A0361	screen package (84" x 13 yards)
	11	4350000009P	1" velcro hook (10' pc. Pkg.)
	12	4716-2401	clear window vinyl (41" x 2 yards)
	13	1225G3458	40 1/2" side zipper pin half - S1
		1225G3448	40 1/2" side zipper slider half - S1
		1225G3768	45 1/2" side zipper pin half - S2
		1225G3758	45 1/2" side zipper slider half - S2
		1225G3478	50 1/2" side zipper pin half - S3
		1225G3468	50 1/2" side zipper slider half - S3
.50	14	4060000245CP	shock cord (150' package)
.50		4714C6021	shock cord & hooks m2 (two 14' lengths)
.15		4724A2011	shock cord termination (plastic hook) m10
	15	4060000024F	arrowhead seal (sold/foot)
.30	16	4772-5921	wire extension harness - S1
.30		4735D6721	wire extension harness - S2
.30		4757-6101	wire extension harness - S3
.50	17	4743-1588	k-kote seam sealer
	18	4728-5641	tent retainer pkg.
.30	19	4710-1011	vinyl daubing "gray" m2
.30		4713-0311	vinyl daubing "black" m2



Flat Rate	Code	Part #	Description	Flat Rate	Code	Part #	Description
.50	1	4713-0021	top corner pkg. "black" (pkg. of 4)	.15	12	4734D5211	screen door cable m6
	2	4356500043P	3/16" x 1" butyl tape (20' pc. pkg.)		13	4730A3548	stud w/screw x2
	3	4758-9928	tek screw "black" m12	.15	14	4723A5061	strap x2
.50		4757-3561	canopy track "side" "white" S1, S2	.30	15	4060000092P	tent track (frt./rr.)
.50		4701-8261	canopy track "side" "black" S3			1103E1018	screw stainless steel
.50		4701-1951	canopy track "rear" "black" S3		16	1203-9258	plastic accordion rivet m25
1.00	4	4752-02791	center seam "white" S1, S2		17	4767-386	side cove x2 (must cut to size)
1.00		4701-04991	center seam "black" S3			4747-2558	expansion rivet m25
		4060400096F	vinyl screw cover "white" S1, S2	.20	18	4350400004F	vinyl seam tape (sold/foot)
		4060400097F	vinyl screw cover "black" S3		19	4756B0671	cove (front/rear)
		1103B0808	tapping screw #8 x 1/2"			4747-2558	expansion rivet m25
		4350000028P	1/8" x 3/4" butyl tape "white" (20' pkg)	.30	20	4060000093P	tent track (must cut to size)
		4354700034P	1/8" x 3/4" butyl tape "black" (20' pkg)			1103E1018	screw stainless steel
.50	5	4759A240	frt./rr. top seal extrusion S1, S2	.20	21	4747D5521	lift pocket cover x4
.50		4701-369	frt./rr. top seal extrusion S3			4741D3558	hole plug x2
.15	6	4750A9581	top trike "white" m2 S1, S2			4351400005F	velcro loop (sold/yard)
.15		4701-0481	top strike "black" m2 S3	.25	22	4741B5431	lift pocket x4
		4744C2461	torx head screw "white" m12			1201B6378	lock nut (x2 per pocket)
		4701-0531	torx head screw "black" m12	.15	23	4743-2501	screen door latch pkg.
		1201B6958	nut (x2 per strike)	.50	24	4060100399P	rubber top seal (40' package)
.10	7	4741F11381	tent support brkt.	.25	25	4701-2628	Fleetwood decal
		4741C9368	screw "painted" x2	.75	26	4800-035	side seal extrusion S1, S2
.15	8	4737K5911	single dome light	.75		4701-370	side seal extrusion S3
		4758-1361	dome light lens		27	4716A8991	roof brace & hardware S1, S2
		1103B1028	screw x4	.15	28	4767-4641	carbon monoxide detector
	9	4728A5641	tent retainer pkg.	.10	29	4755B5231	shower curtain rod 4048 S1
		4750-2891	drape tab m60	.10		4755A5231	shower curtain rod 4048 S1
.30	10	4733H47181	screen door track x2	.20	30	4755-5211	shower rod strap x4 4048 S1
		4744B4611	expansion rivet m25	.15	31	4767-0111	shower head brkt. 4048 S1
.20	11	4749C5571	screen door bracket				
		4747-2558	expansion rivet m25				
		4749-2138	snap button m2				
		1203-8631	rivet m25				