



2006
Evolution Series
Repair Parts Catalog

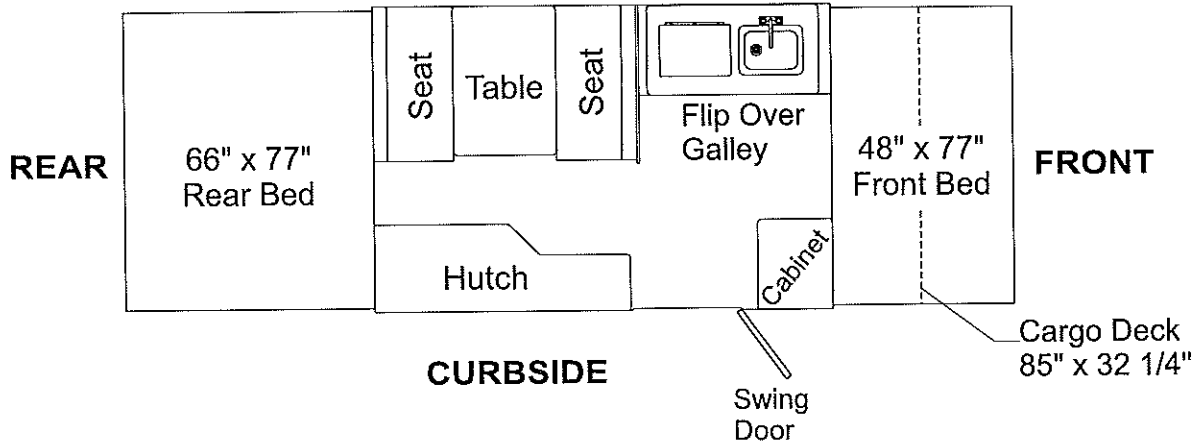
4047 E1 - 9 1/2'

4044 E2 - 11'

2006 Evolution Series

4047 E1 9 1/2'

ROADSIDE



4044 E2 11'

ROADSIDE

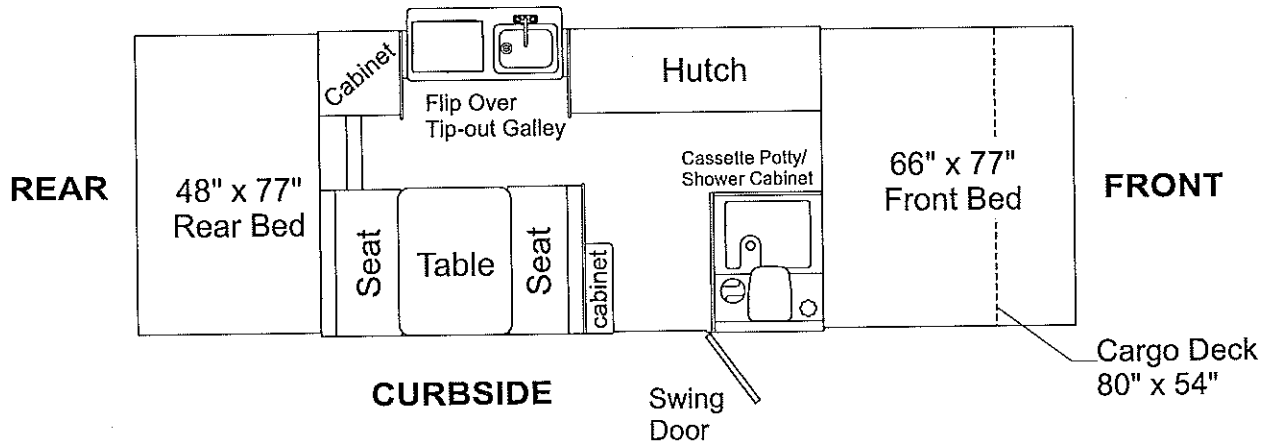
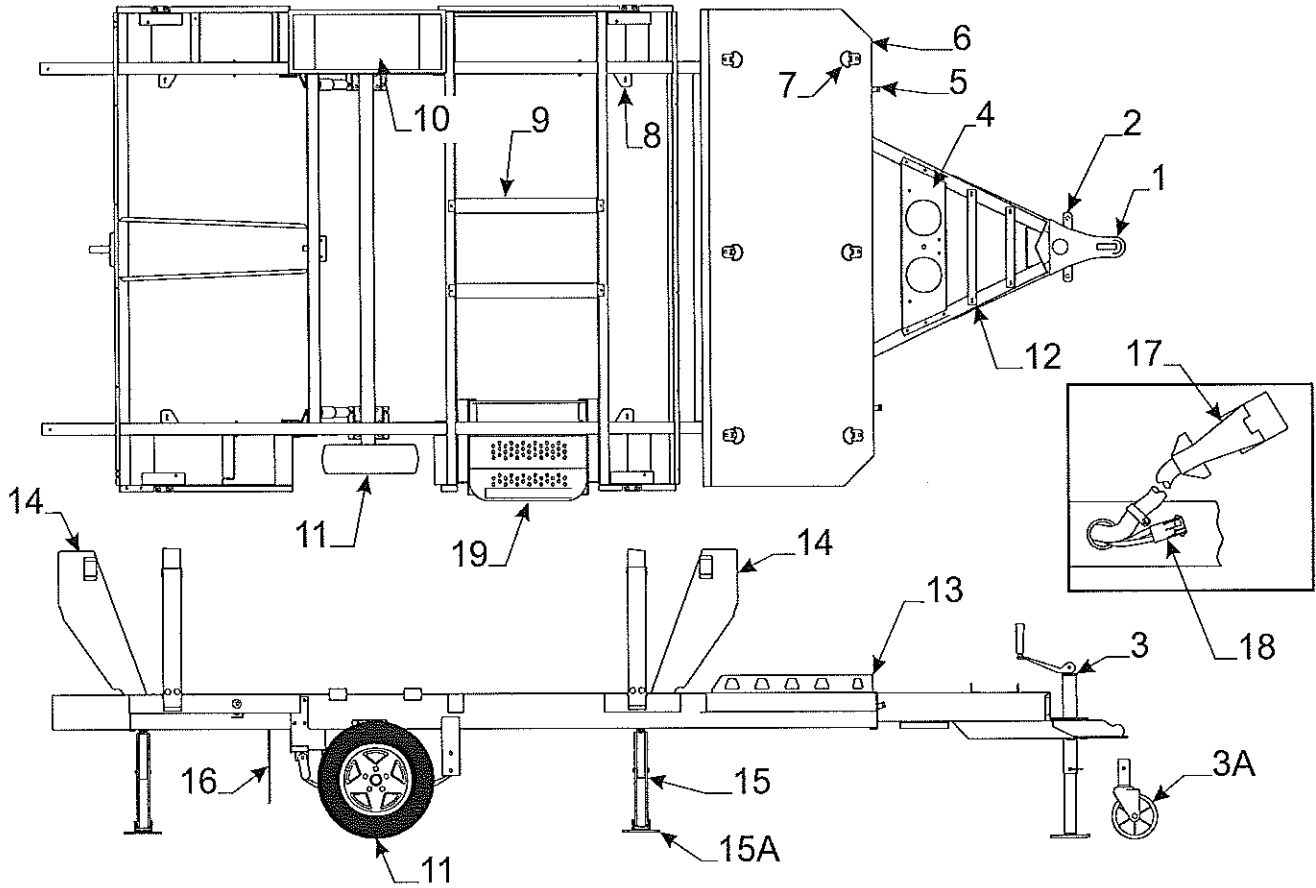


TABLE OF CONTENTS

<u>DESCRIPTION</u>	<u>PAGE</u>
Access door key	24
Access door assembly & related parts	11
Auto extension	7
Axle assemblies & related parts	6
Backrest assemblies & covers	27
Bed assemblies.....	21
Bed extensions & related parts	21
Body panel right rear "curbside"	10
Body panel left side "roadside"	9
Body panel front & rear	8
Body panel right front "curbside".....	11
Bumper & related parts	8
Cabinet assy. E1 (csf corner cabinet)	15
Cabinet assy. E2 (csr seat cabinet)	17
Cabinet assy. "rsr galley cab." E2	16
Cabinet/Hutch assy. csr E1	15
Cabinet/Hutch assy. rs E2	17
Carbon monoxide detector	29
Caulking	7
Converter & related parts	19
Coupler assembly	2, 3
Crank-up/crank-down components	4
Crank handle	24
Cushion assemblies & covers	27
Cargo deck gates/rails	2, 3
Cargo tie down anchors	2, 3
Deck platform	2, 3
Door bulkheads	10, 11
Drain assy./drain hose (used on sinks)	12
Drape packages & related parts	27
Drawer assy. and components E1	15
Electric brakes & related parts	6
Faucet "galley"	14, 16
Faucet "shower"	18
Faucet "outside faucet"	9
Fire extinguisher & components	17
Floor covering	2, 3
Frame assembly & related parts	2, 3
Furnace exhaust vent	9
Furnace vent "interior"	14
Galley components E1	14
Galley components E2	16
Gas detector	19
Gas hose (gas bottle hook-up)	25
Gas hose (RVQ grill hook-up)	25
Gas bottle mounting brackets	24
Gas quick disconnect (outside gas hookup)	25
Gas bottle cover (black vinyl)	25
Gas bottle & related parts	25
Grease cap (dust cap)	6
Hub assembly & related parts	6
Hutch assembly "curbside" E1	15
Hutch assembly "roadside" E2	17
Lift assemblies & related parts	5
Lift trim & miter covers	10, 11
Lug wrench	28
Mattress assemblies & covers	27
Mud flaps	2, 3

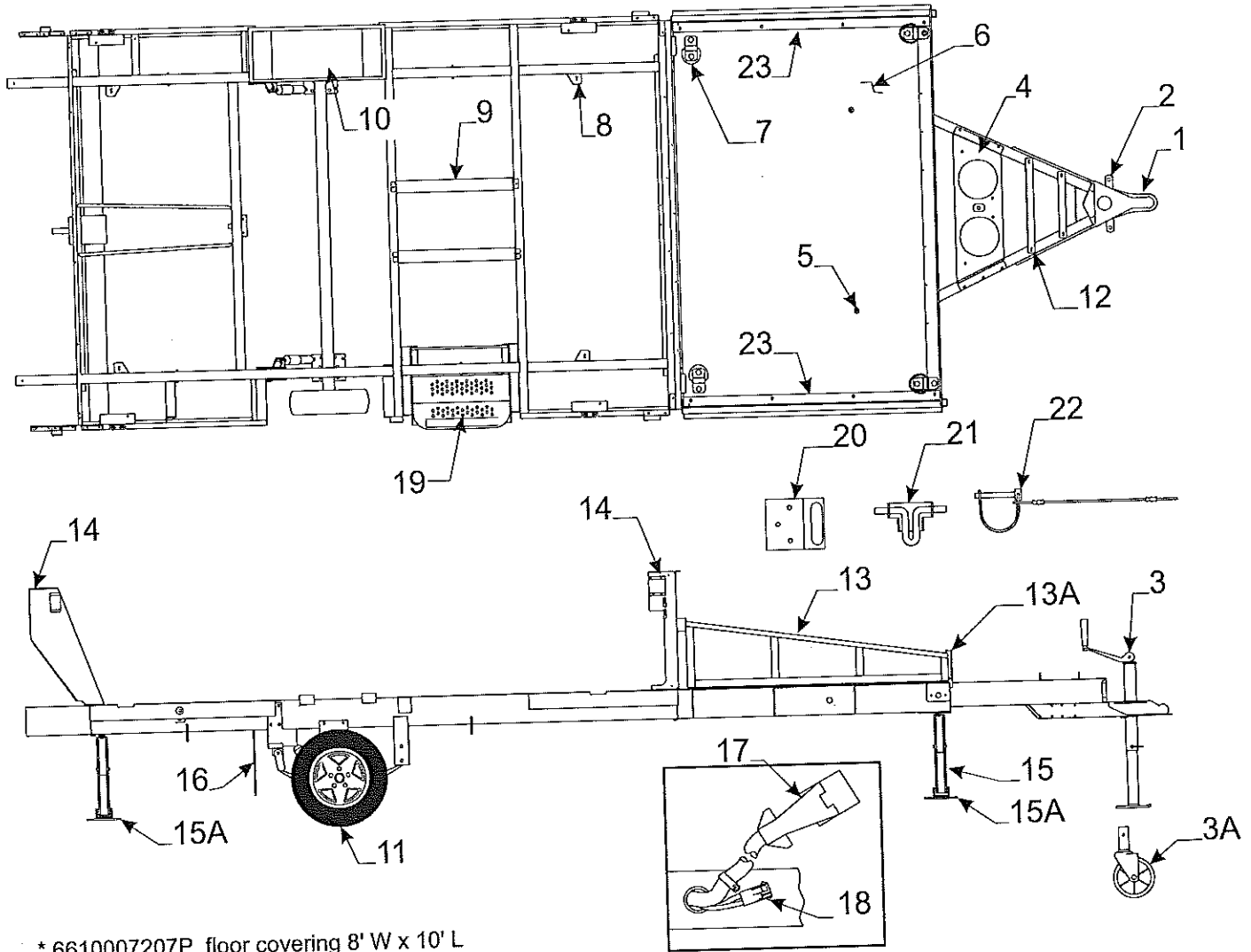
<u>DESCRIPTION</u>	<u>PAGE</u>
Paint (spray & quart can)	7
Paneling & trim	19
Parts package & components	24
Pigtail (car end)	2, 3
Potty "cassette" E2	18
Power cord (converter)	19
Receptacle (exterior)	10
Receptacle (interior)	19
Refrigerator vents	9
Regulator & fittings	25
Safety chains	24
Screen door & related parts	23
Seat bench component parts E1, E2	20
Shock kit	6
Shower curtain E2	27
Shower curtain rod E2	29
Shower stall w/potty components E2	18
Shower stall cover board E2	18
Sink & related parts	12
Spare tire cover (black vinyl)	2, 3
Spare tire mount & components	8
Stabilizer assembly	2, 3
Stabilizer handle/lug wrench combo	24
Step components	7
Stove components (galleys)	13
T.P. holder E2	18
Table assemblies & related parts	13
Taillights (rear body panel)	8
Tent support assemblies & related parts	26
Tenting & related parts (sunbrella)	28
Thermostat (Hydro Flame)	19
Thrust bearing	4
Tie backs (curtains)	27
Tip-out tent bow/support E2	26
Tie down anchors	2, 3
Tire & rim	2, 3
Tire cover "black vinyl"	2, 3
Tongue jack & related parts	2, 3
Top assemblies & related parts	29
Water heater	22
Water faucet	14, 16
Water system & related parts	22
Wheel well	2, 3
Whiffletree & related parts	5
Zippers (tenting assemblies)	28

Axle/Brakes - Dexter Axle	219/295-1900
Cassette Potty - Thetford	800/444-7210
Converter - World Friendship Co.	800/900-2468
Furnace - Hydro Flame #7916-11	800/546-8759
Mixer Faucet - Empire Brass	800/431-6440
Refrigerator - Dometic	800/216-5115
Stove/Grill - Vitco	877/825-8528
Tires - Kenda	800/225-4714
Water heater - #5031E	423/775-2131
Yakima bike rack - to obtain repair parts	800/925-4621



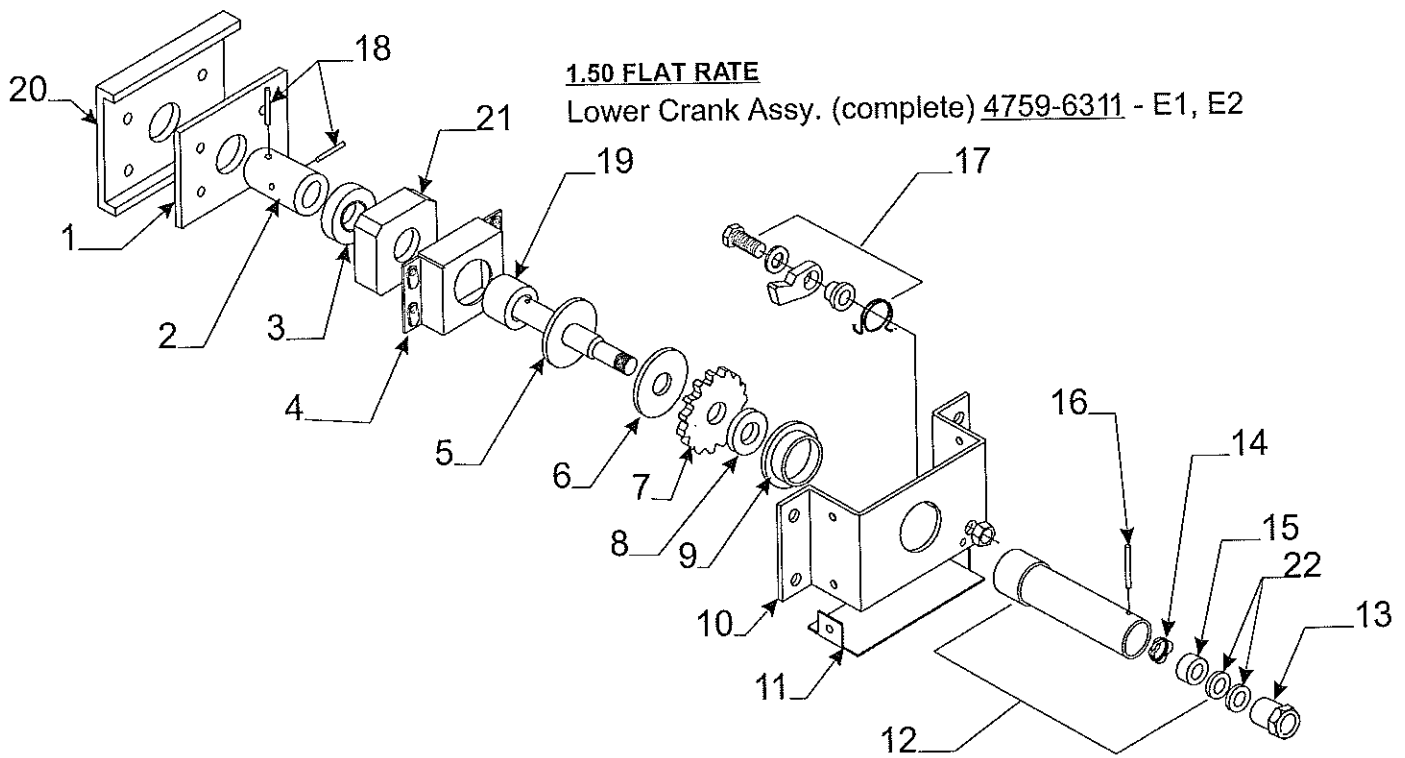
* 6610007207P floor covering 8' W x 10' L
 * Prior Authorization Needed From Factory

Flat Rate	Code	Part #	Description	Flat Rate	Code	Part #	Description
1.50	1	4772-4231	coupler assembly		12	4716A7151	frt./rear battery angle pkg.
.75	2	4720A3561	chain bar	.50	13	4713-0041	deck rail kit
.25	3	4800-1101	center mount tongue jack	2.00	14	4701-509	corner bulkhead csr/rsf
	3A	4773-0421	caster wheel	2.00		4701-508	corner bulkhead rsr/csf
.50	4	4701-2631	dual gas bottle tray	.25	15	4701A2491	stabilizer assembly
.10	5	4714-0391	bed leg pin pkg.			4766A053	tek screw (x4 per stabilizer)
1.00	6	4701A15661	deck			4766-0481	stabilizer crank handle
.10	7	4701-1911	tie down anchor		15A	4800-6771	sand shoe kit (pkg. of 4)
.75	8	4732E3671	adjustable pulley brkt. x4	.20	16	4713-0051	mud flap pkg. rt./lt.
.25		4715A5371	pulley & bearing m10		17	4753B3751	trailer harness
		4720C1578	short pin m4			1201-8738	3/8" clamp
		1204B1081	cotter pin m10			1203C8721	steel rivet m25
	9	4758-5391	water tank hanger x2			4742-8108	1 1/4" snap bushing
2.00	10	4701-557	wheel well x2		18	4716A5001	12 volt power harness
.25	11	4701-2388	tire & rim 15"	.15		4749B5531	12 volt wire harness m2
		4701-5671	15" vinyl tire cover	.50	19	4701A5341	double step



* 6610007207P floor covering 8' W x 10' L
 * Prior Authorization Needed From Factory

Flat Rate	Frame Code	Component Part #	Parts - 4044 E2 Description	Flat Rate	Code	Part #	Description
1.50	1	4772-4231	coupler assembly	.50	13A	4701-7181	front deck rail assy.
.75	2	4720A3561	chain bar			4800-1751	end cap 1 1/2" x 1" (plastic)
.25	3	4800-1101	center mount tongue jack	2.00	14	4701-509	corner bulkhead csr
	3A	4773-0421	caster wheel	2.00		4701-508	corner bulkhead rsr
.50	4	4701-2631	dual gas bottle tray	2.00		4701-701	corner bulkhead rsf
.10	5	4713-0341	bed leg pin pkg.	2.00		4701-704	corner bulkhead csf
1.00	6	4701A96961	deck platform	.25	15	4701A2491	stabilizer assembly
.10	7	4701-1571	tie down anchor x4			4766A053	tek screw (x4 per stabilizer)
.75	8	4732E3671	adjustable pulley brkt. x4			4766-0481	stabilizer crank handle
.25		4715A5371	pulley & bearing m10	.20	15A	4800-6771	sand shoe kit (pkg. of 4)
		4720C1578	short pin m4		16	4713-0051	mud flap pkg. rt./lt.
		1204B1081	cotter pin m10		17	4753B3751	trailer harness
	9	4758-5391	water tank hanger x2			1201-8738	3/8" clamp
2.00	10	4701-557	wheel well x2			1203C8721	steel rivet m25
.25	11	4701-2388	tire & rim 15" star mag.			4742-8108	1 1/4" snap bushing
.25		4763-1508	spare tire & rim 15" wht.		18	4716A5001	12 volt power harness
		4701-5671	15" vinyl tire cover	.15		4749B5531	12 volt wire harness m2
	12	4716A7151	frt./rear battery angle pkg.	.50	19	4701A5341	double step
.50	13	4701A7211	gate weldment cs/rs	.15	20	4800-1991	latch bracket
		4800B1931	gate hinge (2 per gate)	.15	21	4800-1981	gate latch
		4758-8001	rivet m25	.10	22	4765-6101	snapper pin & cable
			(affix hinge to gate)		23	4701-9681	deck side extrusion cs/rs



1.50 FLAT RATE

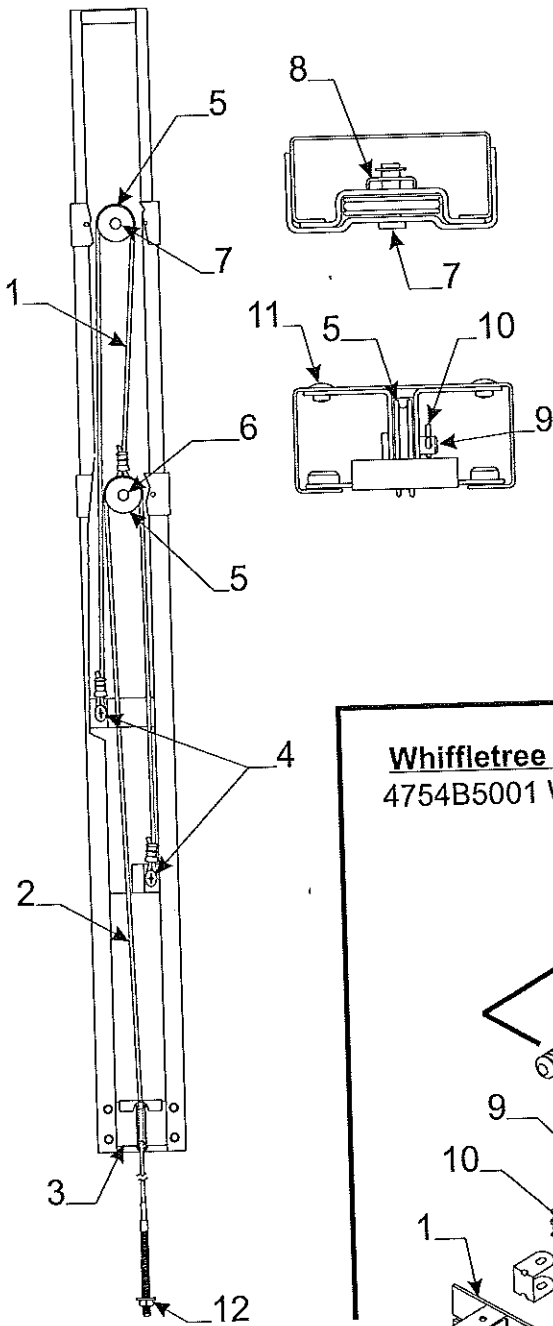
Lower Crank Assy. (complete) 4759-6311 - E1, E2

* 1.50 Flat Rate All Parts Combined

Flat Rate	Crank Code	Crank Up/Crank Down Component Parts Part #	Description
	1	4756-8321	bearing housing plate
1.50	2	4756-8301	coupler bushing
1.50	3	4720C2421	thrust bearing
*	4	4750A9251	bearing housing
		4738A0898	hex bolt x4
*	5	4751A3701	drive shaft & nut
*	6	4751-3561	pressure plate
*	7	4751-4831	ratchet wheel
*	8	4751-3581	pressure washer
*	9	4751A3591	shaft bushing
*	10	4751B3691	crank housing
		4731-3878	hex head bolt x4
		1201B6038	lock nut x4
*	11	4751-3721	housing cover plate
		1203-8641	rivet m25
.75	12	4716A1741	drive hub ext. pkg.
		Note: pkg. Includes parts marked w/* asterisk	
	13	*4751-3551	5/8" nut (FINE THREAD)
		*4751B3551	5/8" nut (COARSE THREAD)
.50	14	*4752-3921	handle spring x1 m2
.50	15	*4751-4671	nylon washer x1
.10	16	*4747A9451	spiral roll pin x1 m6
.60	17	4716-1221	ratchet pawl pkg.
1.00	18	4744A1301	shear pin x1 m10
1.50	19	4756A8311	spacer bushing
	20	4750A9261	plate "painted"
1.50	21	4756-8441	bearing house square spacer
	22	4757-3938	washer x2

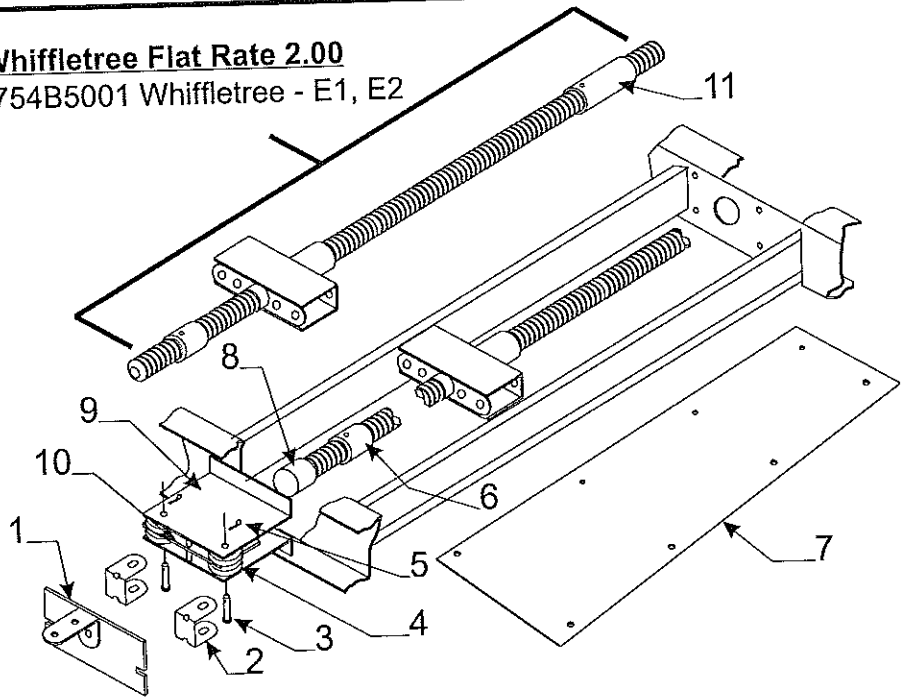
Flat Rate 1.25

4716A0031 lift assy. roadside rear/curbside front - E1, E2
 4716A0041 lift assy. roadside front/curbside rear - E1, E2

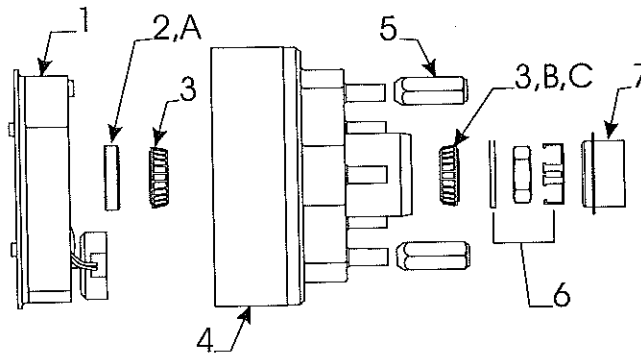


Flat Rate	Lift Assembly Code	Part #	Description
.75	1	4720D5271	cable assy. x1 m2
		4720C1691	cable crimp m20
1.25	2	4772-0201	194 1/2" long cable & crimp
		4744-1318	copper cable crimp m10
1.25	3	4731C5801	butterfly bracket assy.
.05	4	4749-2081	screw m6
.50	5	4715A5371	steel pulley & bearing m10
.25	6	4747-8931	long pin x2
		4730B0981	retaining ring m12
.25	7	4749-4061	short pin m4
		4730B0981	retaining ring m12
.25	8	4749A2028	retaining clip
.45	9	4720C1578	lift pin m4
	10	1204B1081	cotter pin m10
	11	1203-8641	rivet m25
	12	1201B6378	1/4" lock nut
		1202E0408	washer

Whiffletree Flat Rate 2.00
 4754B5001 Whiffletree - E1, E2



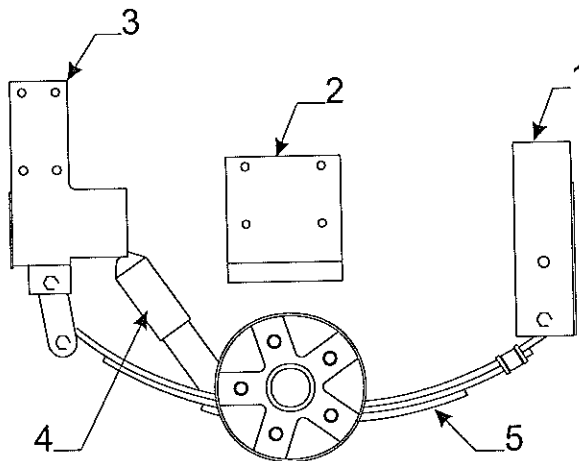
Flat Rate	Whiffletree & Related Parts Code	Part #	Description	Flat Rate	Code	Part #	Description
.15	1	4749A821	mud flap & brkt.	.25	7	4752B4921	whiffletree pan cover
.50	2	4744B1741	cable retainer x2			4755-4611	tek screw m25 (fasten pan in place)
.20	3	4720J1561	long pin m4				
.50	4	4715A5371	pulley & bearing m10	2.00	8	4730D1291	screw socket (welded)
.10	5	1204B1081	cotter pin m10	2.00	9	4720-1551	pulley plate
1.60	6	4710B4248	bushing	.50	10	4715D5661	pulley spacer
		4744A1301	solid shear pin m10		11	4772A184	bushing 3"



Flat Rate .50 Per Side
Electric Brake Pkg. 10 x 2 1/4" (4714J2011)

Flat Rate	Code	Part #	Description
.50	1	4716-6251	10" brake assembly (right hand)
.50		4716-6261	10" brake assembly (left hand)
.50	2	4716A1441	10" grease seal (2 per pack)
.50	3	4716A1451	10" bearing, race & seal pkg.
.30	4	4716-1431	10" hub & drum x2
.05	5	4772-3601	lug nuts m5
.10	6	4714A3061	retainer package
.05	7	4714C0621	EZ lube grease cap m4

Crossover Numbers To Purchase Locally
A K71-303-00 Grease Seal
B L44649 Bearing "outer" - L68149 Bearing "inner"
C L44610 Race "outer" - L68111 Race "inner"

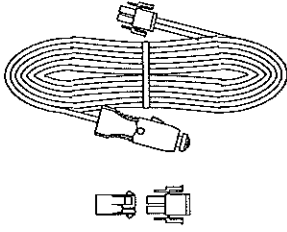


4701-0411 3500 lb. Brake Axle Assy - 10" hubs (Complete) - E1, E2
 NOTE: Refer to Dexter Axle for required part (s) phone - 219/295-1900

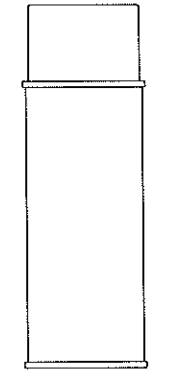
Flat Rate	Code	Part #	Description
*	1	4701-502	frt. hanger brkt.
.25	2	4701-504	axle stop brkt.
*	3	4701-506	rear hanger assy.
.25	4	4701A0261	shock kit
.75	5	Must order through Dexter Axle	

* Prior Authorization Needed from Factory

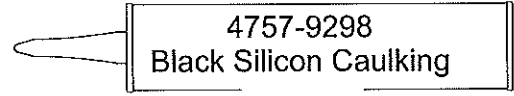
4733D6701 auto extension



4716A4701 12 volt cap & plug m2

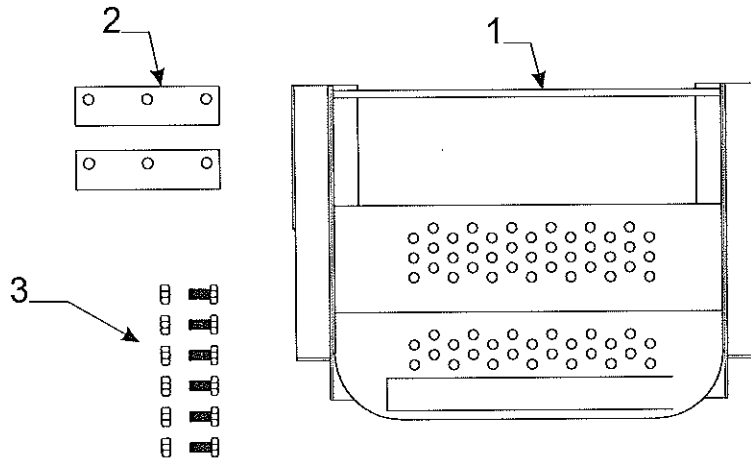


16 oz. spray

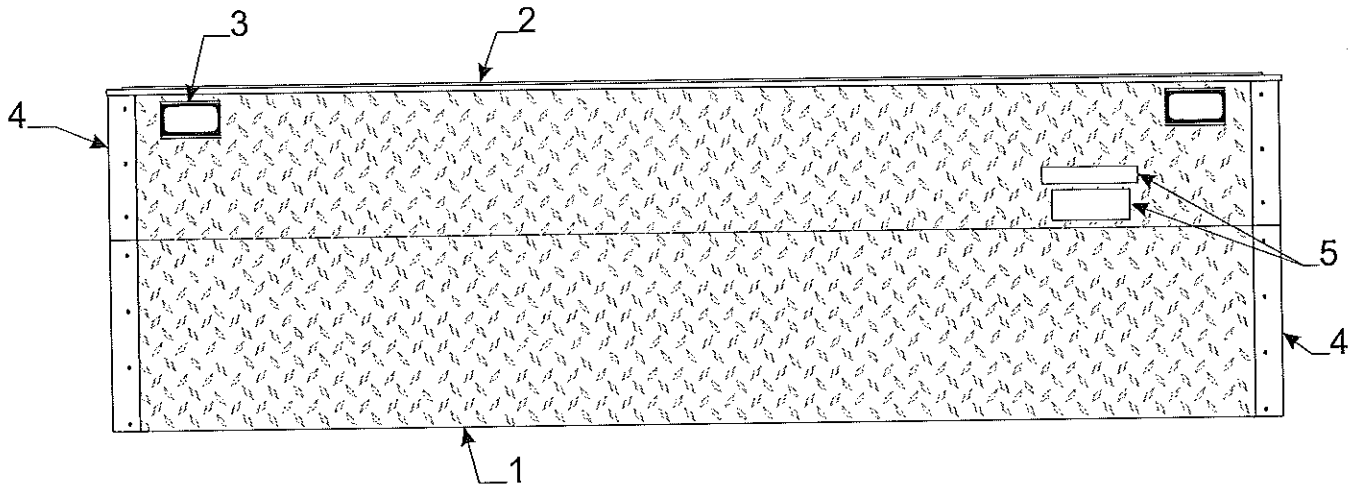


4757-9298
Black Silicon Caulking
4701-1958
Caulking "Black" Silaprene

0008-2571 black (tongue paint)
0008-2641 black textured (frame paint)
4713-0101 yellow textured (body panel paint)
0008-2691 grey textured (body panel paint)

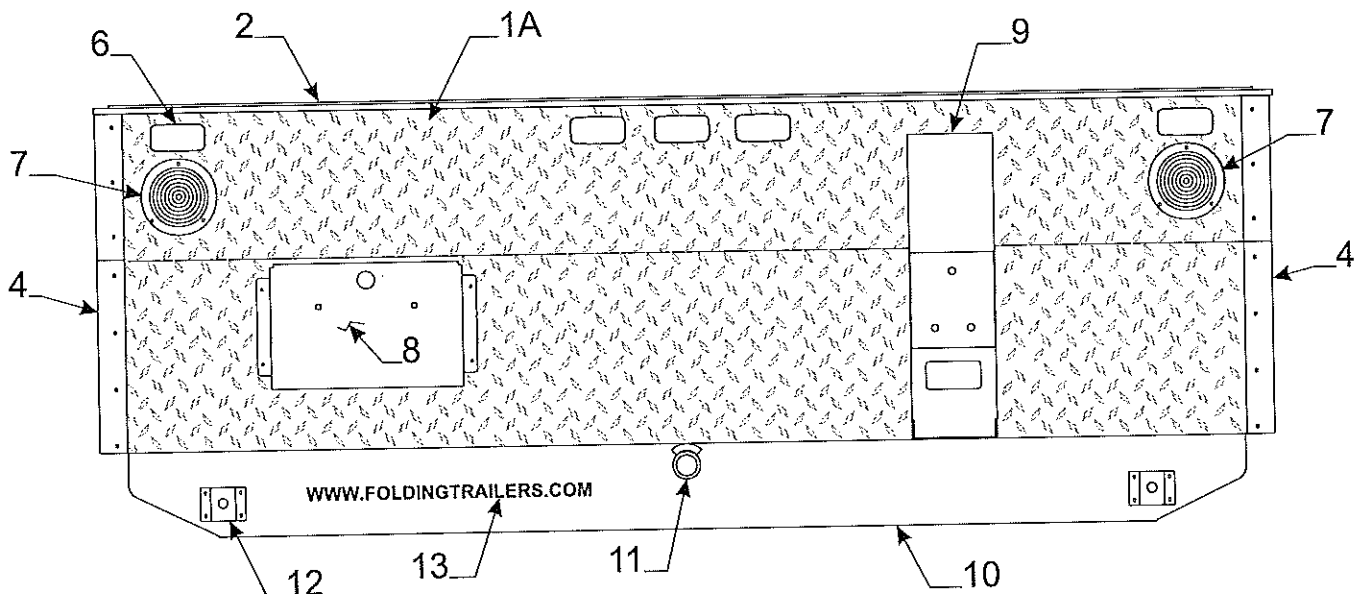


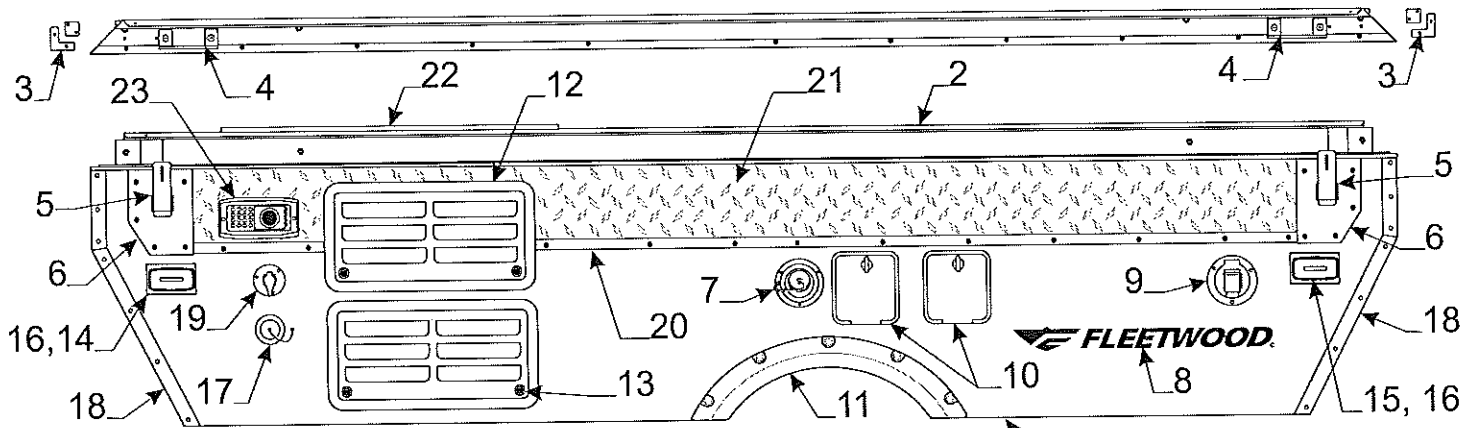
Flat Rate	Step Components		Description
	Code	Part #	
.50	1	4747A9741	single step
.50		4701-5341	double step
	2	4750-3361	step shim x2
	3	1200B3048	bolt x6
		1201B6068	nut x6



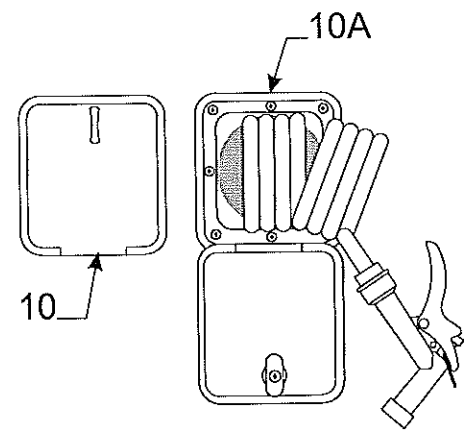
Front & Rear Body Panel Components - E1, E2

Flat Rate	Code	Part #	Description	Flat Rate	Code	Part #	Description
2.00	1	4701-0571	front body pnl. - E1	.20	7	4701-0601	taillight w/gasket x2
2.00		4702-0011	front body pnl. - E2			4701-1681	taillight gasket
2.50	1A	4701A0591	rear body pnl. - E1, E2			4733G0601	rivet "black" m25
.75	2	4759B1951	frt./rr end rail	.20	8	4701-0981	license plate holder
		1203-8651	rivet x5 m25			4733G0601	rivet "black" m25
.15	3	4714J08481	amber marker light	.15		4739B4311	tag light
.10		4716A4571	amber lens (lens only)	.05		4732-1181	plastic grommet m4
.25		4733H1311	socket & harness	.05		1121C1618	license plate screw x2
		4747-2558	expansion rivet m25	.25	9	4701-5641	spare tire mount
.25		4701-0581	marker light shield			4772-3601	chrome lug nut m5
		4701-1728	shield gasket			4701-177	1/2" - 20 x 1 3/4 bolt x3
.30	4	4701-0961	corner trim (csr/rsf E1) (csr E2)			4701-176	1/2" - 20 lock nut x3
.30		4701-0971	corner trim (csf/rsr E1) (rsr E2)	.30	10	4701-0881	bumper
.30		4701-9721	corner trim csf/rsf - E2	.10	11	4733-2741	2" snap bushing
		4733G0601	rivet "black" m25	.10		4730H3188	"open" decal
		4758-9921	tek screw "black" m12	.25	12	4716-0671	bed leg pin pkg.
.05	5	4759-8488	lp gas decal		13	4767-0888	www.com decal
.05		4730K213C8	gas piping decal				
.15	6	4714J08581	red marker light				
.10		4716A4561	red lens (lens only)				

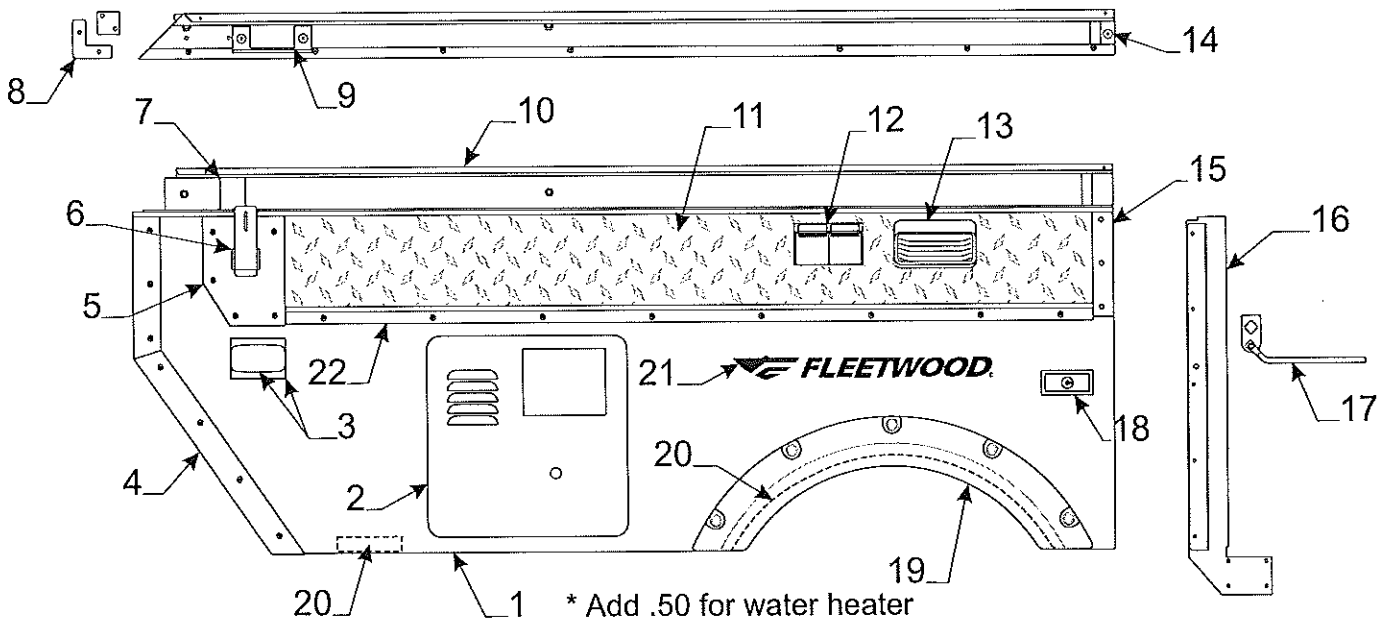




Flat Rate	Code	Part #	Description
	Roadside Left Body Panel & Components - E1, E2		
*2.75	1	4701-075Y1	left side body pnl. "yellow" - E1
*2.75		4701-075S1	left side body pnl. "silver" - E1
*2.75		4701A986Y1	left side body pnl. "yellow" - E2
*2.75		4701A986S1	left side body pnl. "silver" - E2
3.00	2	4759-2001	left side body rail - E1
3.00		4701-9821	left side body rail - E2
.10		4716-2771	vel-stick body rail pkg.
		4757-0731	wire grommet & nut
.15	3	4716-7061	inner/outer miter cover pkg. m4
.25	4	4734C4121	lift trim, rivets & gasket pkg. m4
.15	5	4701-0951	top latch
		4749-4848	foam pad
.25	6	4701A0701	top latch plate rsf
.25		4701A0791	top latch plate rsr
.30	7	4701A0771	water tank spout
		4741-3508	hex head tek screw x3
.25	8	4701-2628	Fleetwood decal
.15	9	4701-0761	cable hatch
.30	10	4701-2401	faucet & hatch assy.
.30	10A	4701-2411	hose storage container
		4701-2421	coiled hose & nozzle
.25	11	4701A0461	wheel well trim
		4739F2901	chrome snap cap m12
		4060050008P	1/2" x 1" foam tape pkg. (12' pc.)
.50	12	4701-2321	refrigerator vent x2
.50	13	4716-4441	reefer vent clasp m4
.15	14	4714J08481	amber marker light x4
.10		4716A4571	amber lens (lens only)
.25		4733H1311	socket & harness
		4747-2558	expansion rivet m25
.15	15	4714J08581	red marker light
.10		4716A4561	red lens (lens only)
.25	16	4701-0581	marker light shield
		4701-1728	shield gasket
.10	17	4714A2861	drain cap & strap
.30	18	4701-0961	corner trim (csr/rsf E1) (csr E2)
.30		4701-0971	corner trim (csf/rsr E1) (rsr E2)
.30		4701-9721	corner trim csf/rsf - E2
		4733G0301	rivet "black" m25
		4758-9921	tek screw "black" m12
.30	19	4701-0781	city fill
.25	20	4701-9831	trim (must cut to size)
		4733G0301	rivet "black" m25
1.00	21	4701A9871	diamond plate (must cut to size)
.25	22	4737B2211	curtain track 35 1/2"
		1203-8671	rivet m25
.25	23	4741B9471	8" furnace vent



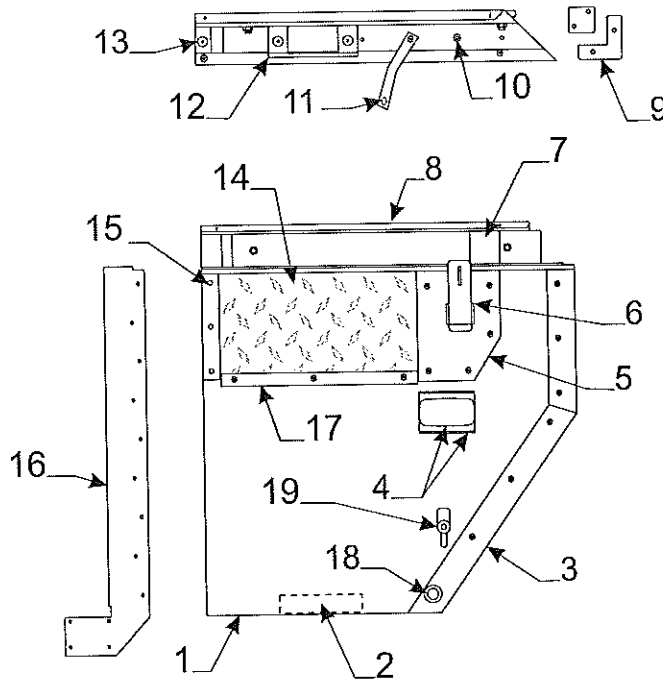
* Add .50 For Heater Vent
 * Add 1.00 For Refrigerator



Curbside Right Rear Body Pnl. & Components - E1, E2

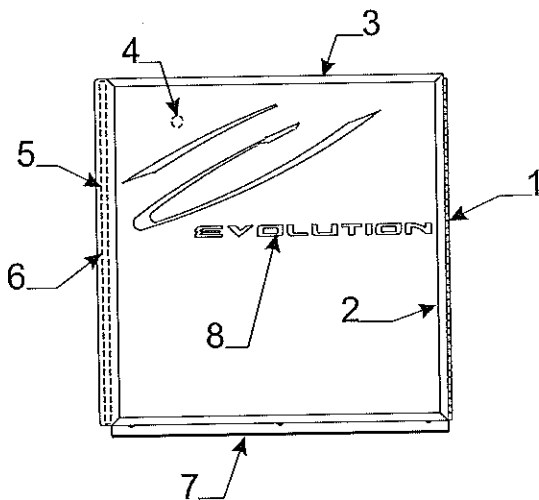
Flat

Rate	Code	Part #	Description
*1.50	1	4701A061Y1	csr body panel "yellow" E1
*1.50		4701A061S1	csr body panel "silver" E1
*1.50		4701A023Y1	csr body panel "yellow" E2
*1.50		4701A023S1	csr body panel "silver" E2
.25	2	4701-2391	water heater door
.15	3	4714J08581	red marker light
.10		4716A4561	red lens (lens only)
.25		4701-0581	marker light shield
		4701-1728	shield gasket
.30	4	4701-0961	csr corner trim
		4733G0301	rivet "black" m25
		4758-9921	tek screw "black" m12
.25	5	4701A0701	top latch plate
		4733G0301	rivet "black" m25
.15	6	4701-0951	top latch
		4741A9101	hex head tek screw m10
.10	7	4716-2771	vel-stick body rail pkg.
.15	8	4716-7061	miter cover pkg. m4
.25	9	4734C4121	lift trim pkg. m4
		4733-3398	nylon flange bushing x2
1.00	10	4701-0621	csr body rail - E1
1.00		4702-0241	csr body rail - E2
.75	11	4702A0201	csr diamond plate
.25	12	4701-1091	duplex outlet & cover
.35		4746-3871	duplex box
.25	13	4701-0631	porch light & gasket
.10		4716-5511	porch light lens "amber"
	14	1203-8831	rivet m25
.15	15	4701A0691	doorway trim
1.25	16	4701A5191	door bulkhead csr
1.00	17	4754-1691	latch, strike & lever
1.00	18	4730C3111	lock handle (with key)
.25	19	4701A0461	wheel well trim
		4739F2791	chrome snap cap m12
	20	4060050008P	foam tape pkg. (12' pc.)
.25	21	4701-2628	Fleetwood decal
.30	22	4702-0191	stove support rail (must cut to size)



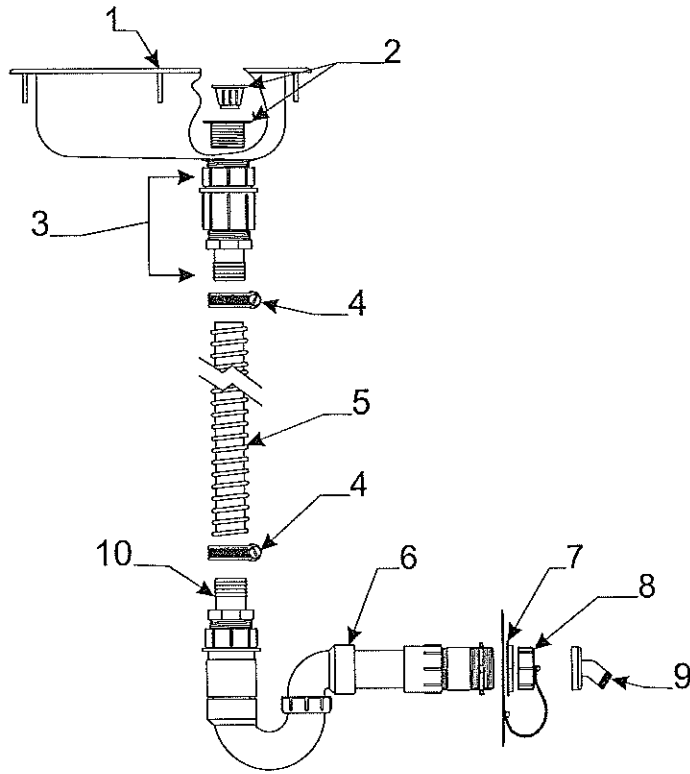
CS Front Body Pnl. & Components - E1, E2

Flat Rate	Code	Part #	Description	Flat Rate	Code	Part #	Description
				.10	7	4716-2771	vel-stick body rail pkg.
1.00	1	4701-084Y1	csf body panel yellow - E1	1.00	8	4701-0861	csf body rail - E1
1.00		4701-084S1	csf body panel silver - E1	1.00		4701-9731	csf body rail - E2
1.00		4701-975Y1	csf body panel yellow - E2	.15	9	4716-7061	miter cover pkg. m4
1.00		4701-975S1	csf body panel silver - E2		10	4730A3541	stud & screw
	2	4060050008P	foam tape pkg.(12' pc.)	.10	11	4701-5251	door strap
.30	3	4701-0971	csf/rsr corner trim - E1			4758-8001	rivet m25
.30		4701-9721	csf/rsr corner trim - E2	.25	12	4734C4121	lift trim pkg. m4
		4733G0301	rivet "black" m25			4733-3398	nylon flange bushing x2
		4758-9921	tek screw "black" m12		13	1203-8831	rivet m25
.15	4	4714J08481	amber marker light	.60	14	4701-9771	diamond plate
.10		4716A4571	amber lens (lens only)	.15	15	4701A0691	doorway trim
.25		4701-0581	marker light shield	1.25	16	4701A5201	door bulkhead csf
		4701-1728	shield gasket	.15	17	4701-9741	trim
.25	5	4701A0791	top latch plate			4733G0301	rivet "black" m25
		4733G0301	rivet "black" m25	.10	18	4701-1851	rubber door stop
.15	6	4701-0951	top latch		19	4702-0321	turn latch & rivet "black"
		4741A9101	hex head tek screw m10				

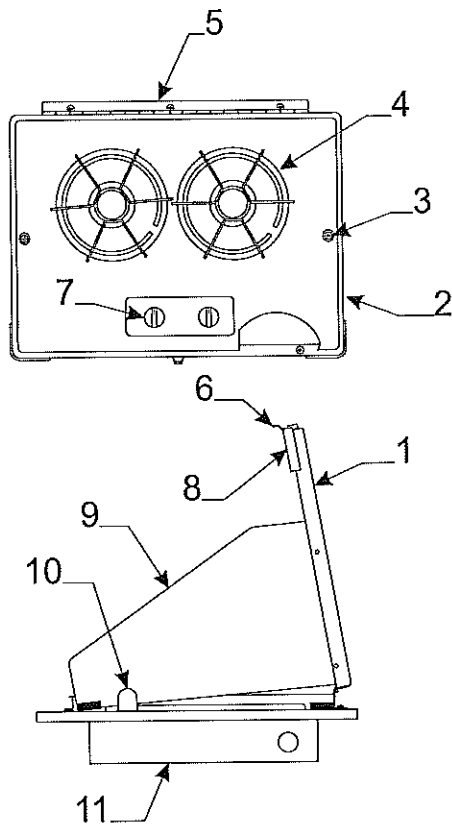


4701-527Y1 Access Door Assy. "Yellow" - E1, E2
4701-527S1 Access Door Assy. "Silver" - E1, E2

Flat Rate	Code	Part #	Description
.25	1	4701-0851	door hinge
.35	2	4701-0901	door frame
.25	3	4701-0891	door cap
	4	4730A3548	stud & screw
.20	5	4060000023P	d-seal pkg. (5' pc.)
.25	6	4701-0911	door frame
		4716-081	screw x2
.25	7	4701-0921	bottom trim
		4745-3968	screw x2
.25	8	4701B1758	Evolution decal

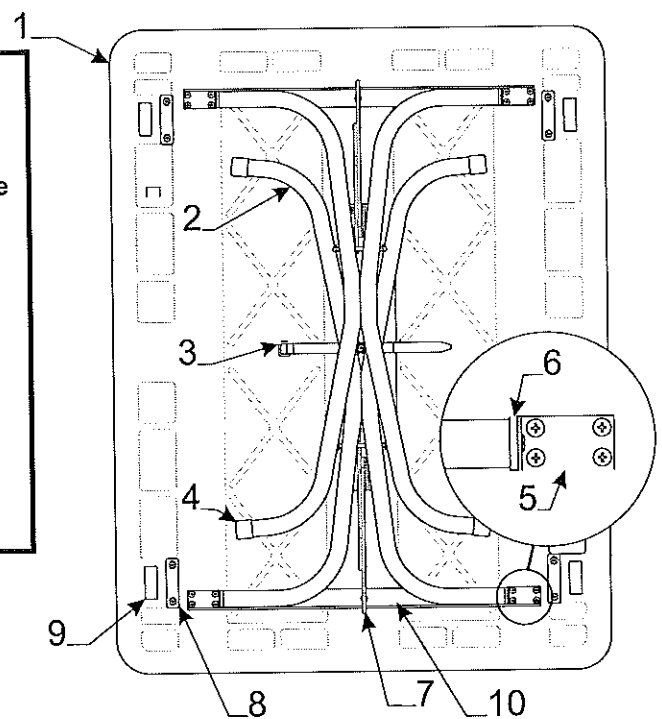


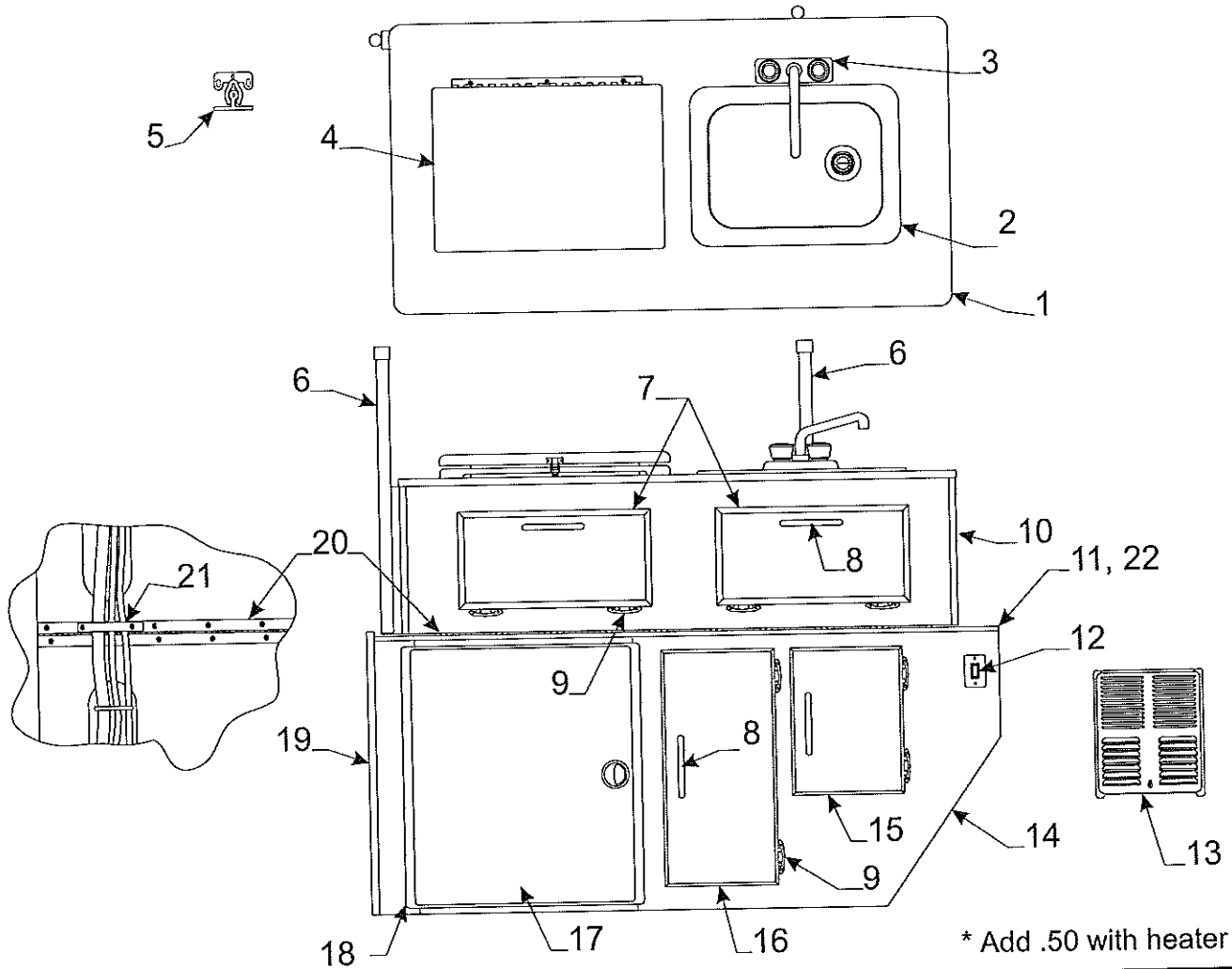
Flat Rate	Sink & Component parts - E1, E2	Code	Part #	Description
.30	1	4710F0301	sink "stainless"	
.05	2	4714C0661	crumb cup "only" (wht. threaded)	
.25		4730E3151	crumb cup & basket	
.40	3	4713-0061	straight adapter pkg.	
	Note: pkg. includes barb, washer, nut and adapter			
		4757-9131	1 1/4" rubber washer	
	4	4715-4501	1 1/4" hose clamp	
.80	5	4060012503P	1 1/4" drain hose pkg. (10' pc.)	
	Note: must cut hose to length			
.75	6	4769-6941	drain trap assy. E1, E2	
	7	4757-0921	1 1/2" metal nut "white"	
.10	8	4714A2861	cap & strap	
	9	4737-9138	drain adapter	
.40	10	4757A0871	adaptor 1 1/4" barb	



Stove Component Parts (Galley Area) - E1, E2			
Flat Rate	Code	Part #	Description
.15	1	4701-1191	stove cover assy.
.15	2	4701-1201	2 burner cook top
.05	3	4716-2631	stove top screw/washer m2
.05	4	4752A9881	stove grate
.10	5	4716A2671	stove cover hinge
.15	6	4733-4018	stove cover latch
.15		4733-4028	stove cover strike
.05	7	4716A1861	knob
	8	4732A2291	edge molding m2
.25	9	4716A2661	stove fin "right"
.25		4716A2651	stove fin "left"
.15	10	4716A2641	stove fin stay brkt. m2
.75	11	4748D2581	2 burner stove box

Dinette Table Assembly Components - E1, E2			
Flat Rate	Code	Part #	Description
.50	1	4701-2021	table top "plastic" (30' x 39")
.50	2	4701-1491	table leg package "yellow"
Note: pkg. includes 2 legs & required mounting hardware			
.10	3	4751A9711	strap & screw pkg.
	4	4752-0551	white plastic cap m2
.15	5	4713-0331	table leg mounting brace m2
		1103E1018	5/8" wood screw
.15	6	4752A0561	table leg insert cap m2
		4747-2558	expansion rivet m2
.25	7	4744-6971	lock brace assy. x2
		1103E1018	5/8" wood screw
.15	8	4756-8741	table top plastic spacer m4
		1103B08148	7/8" screw (x2 per spacer)
.05	9	4724D2631	velcro fastener m4
	10	4759-9601	table brace brkt. x2

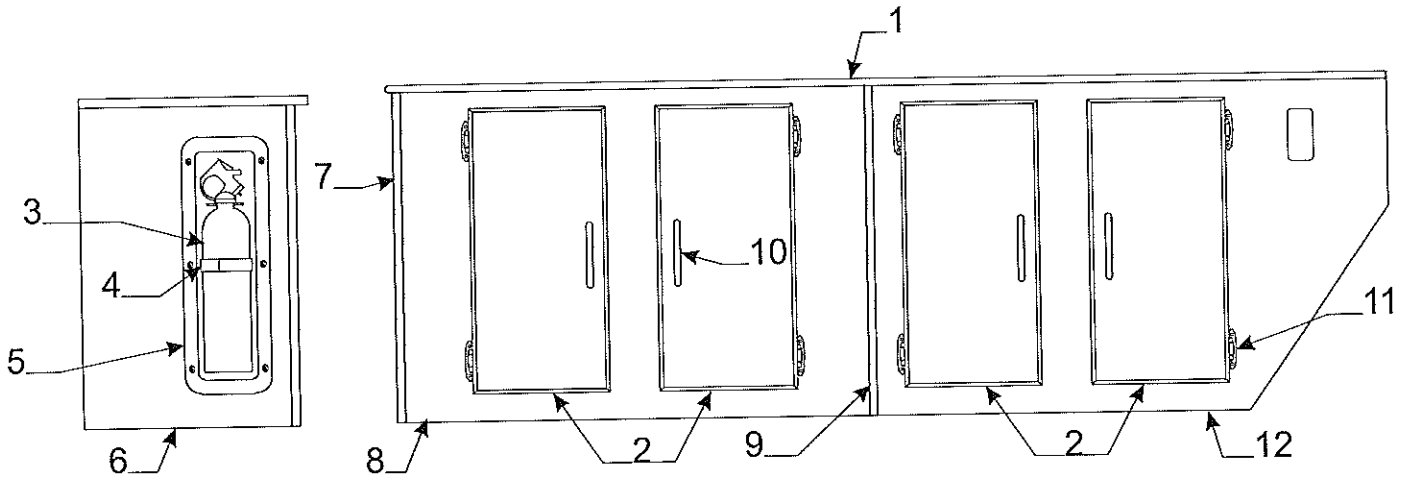




* Add .50 with heater

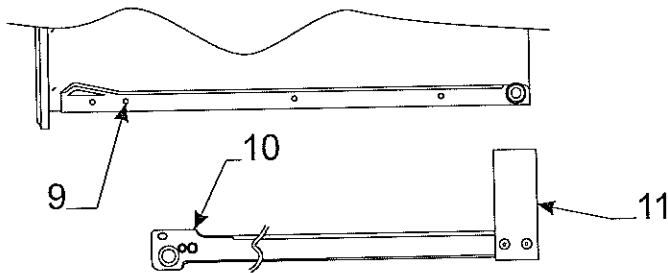
Upper & Lower Galley Assy. Components - 4047 E1

Flat Rate	Code	Part #	Description	Flat Rate	Code	Part #	Description
1.00	1	4701A1111	upper galley top	.65	10	4064737503P	3/8" f-channel 48" pc.
.30	2	4710F0301	sink	1.25	11	4701A1421	lower galley top
1.00	3	4767-4471	mixer faucet	.20		4701-1461	kill switch m4
		4758-8508	dual facet use decal	.20	12	4733C4981	rocker switch (elec. pump)
	4	Note: refer to page 13 for stove components		.10	13	4743A3551	furnace grill "black"
.15	5	4744A9261	knuckle latch m4	1.50	14	*4701-1431	lower galley frt. (rt.)
		4738-3088	screw x2	.15	15	4701-1481	door panel 12" x 9 1/8"
.25	6	4701-1131	galley rest pole	.15		4733-6391	latch & strike pkg.
		4752-0551	plastic cap m2	.15	16	4701-1351	door panel 19 1/4" x 9 1/4"
.15	7	4701-1171	door panel - 15 3/4" x 7 3/4"	.25	17	4754A0481	built-in cooler
.15		4733-6391	latch & strike pkg.	.75	18	4701-1411	lower galley frt. (lt.)
.10	8	4701-1181	door pull "yellow"	.75	19	4701-1441	seat gazoodi
.10		4701-11861	door pull "gray"	.30		4064700091P	t-molding (8' pkg.)
.10	9	4739C0511	hinge	.50	20	4757-2621	hinge
		4749C4591	screw #6 x 3/8" m12		21	4716-9691	hose strap pkg.
					22	4064795603	3/8" u-channel "black"



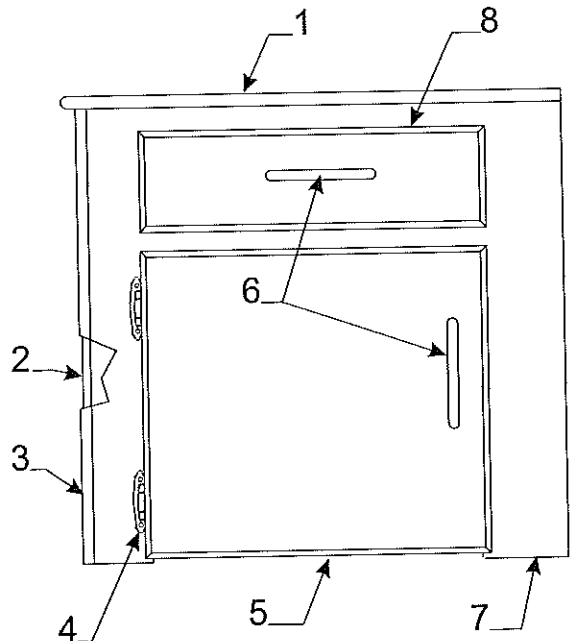
Curbside Hutch Assy. - 4047 E1

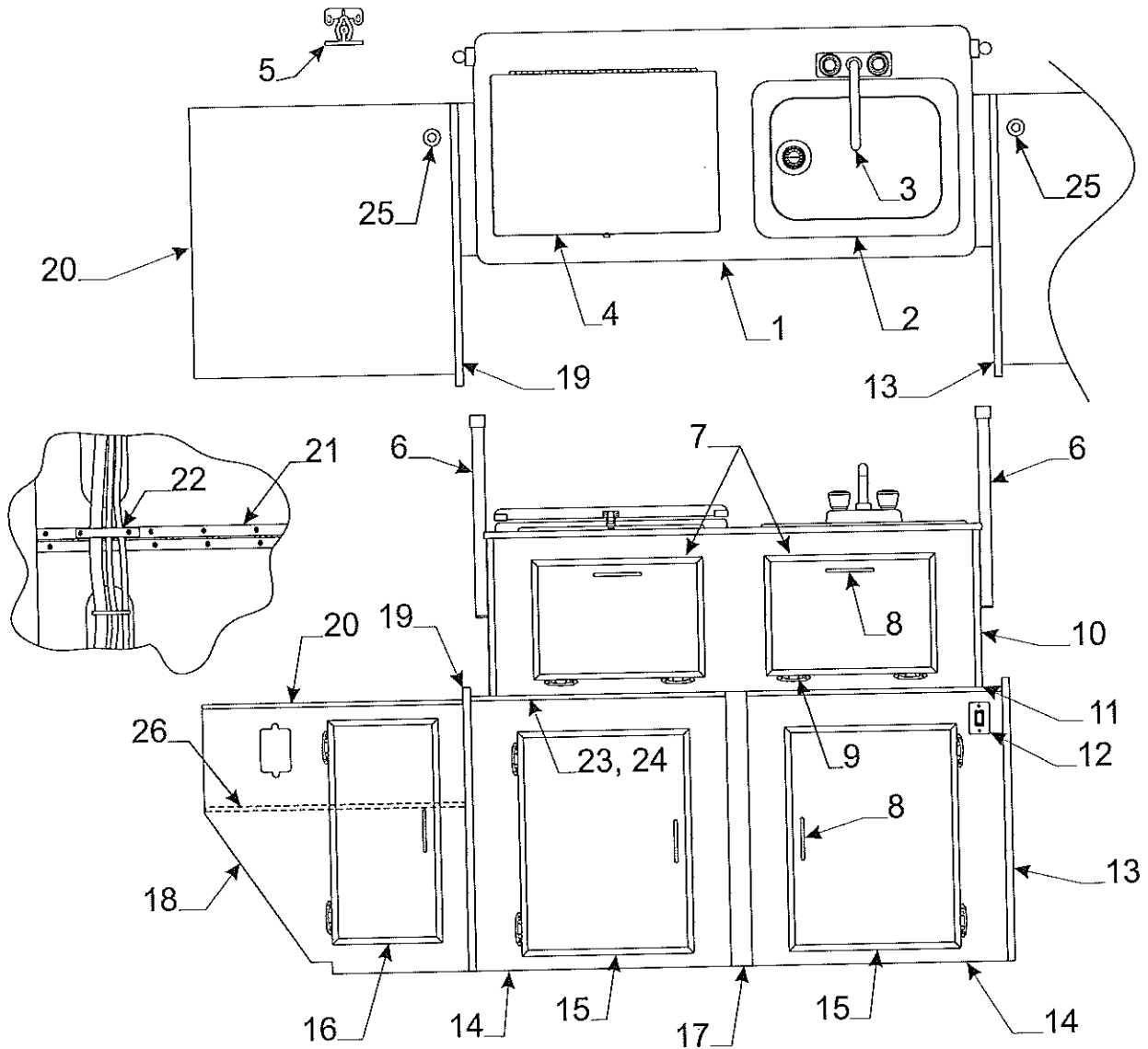
Flat Rate	Code	Part #	Description	Flat Rate	Code	Part #	Description
.75	1	4701C1291	hutch top	.50	8	4701-131	hutch front "lt."
.15	2	4701-1351	door pnl. 19 1/4" x 9 1/4"	.50	9	4701-127	hutch mid panel
.10	3	4737A5558	fire extinguisher	.10	10	4701-1181	door pull "yellow"
.05	4	4716-1191	fire extinguisher strap m2	.10		4701-11861	door pull "gray"
.15	5	4701-1321	recessed mount	.10	11	4739C0511	hinge
		4701-1331	screw m12			4749C4591	screw #6 x 3/8" m12
.55	6	4701-130	hutch side	1.00	12	4701-129	hutch front "rt."
.65	7	4064737503P	3/8" f-channel 48" pc.				



CSF Corner Cabinet Assy. - 4047 E1

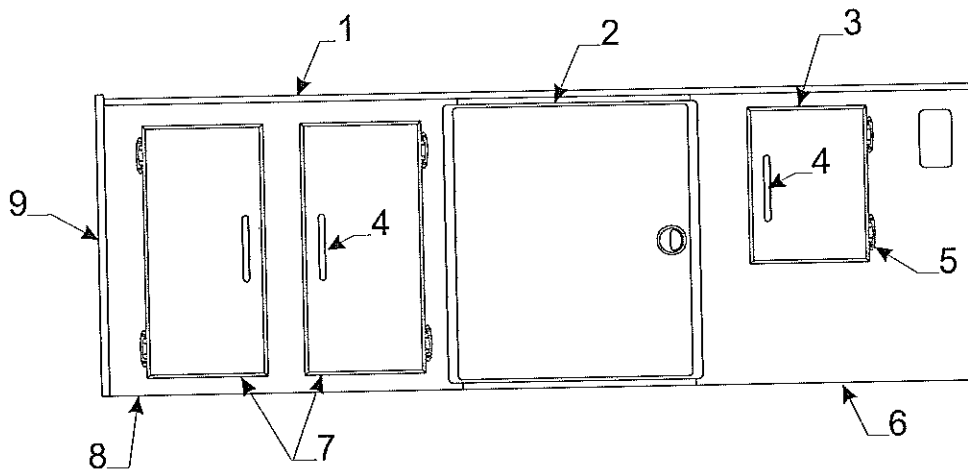
Flat Rate	Code	Part #	Description
.25	1	4701C1211	cabinet top
.30	2	4701-122	cabinet side
.35	3	4064737503P	3/8" f-channel 48" pc.
.10	4	4739C0511	hinge
		4749C4591	screw #6 x 3/8" m12
.15	5	4701-1251	door pnl. 15 3/4" x 15 1/4"
.15		4733-6391	latch & strike pkg.
.10	6	4701-1181	door pull "yellow"
.10		4701-11861	door pull "gray"
.50	7	4701-123	cabinet front
.10	8	4701-5281	drawer assy.
	9	4758-103	drawer slide RHD
		4758-102	drawer slide LHD
	10	4716-8831	14" drawer guide pkg.
	11	4758-292	mounting bracket



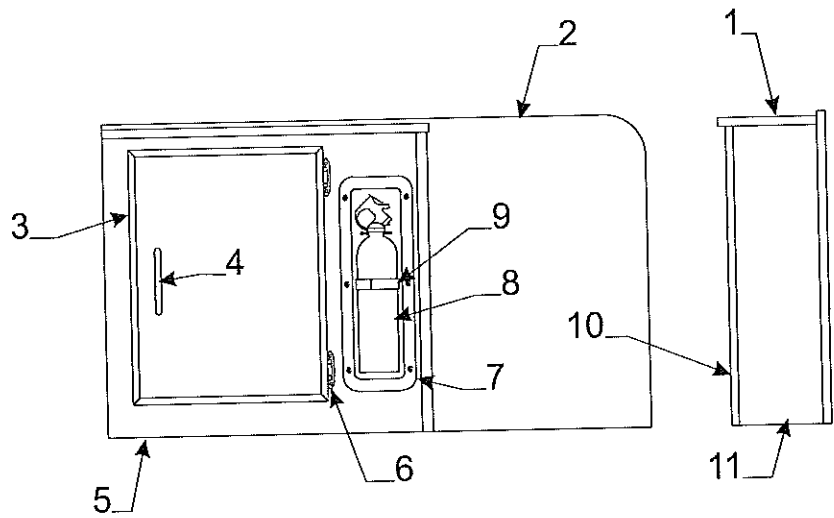


Upper & Lower Galley Assy. Components - 4044 E2

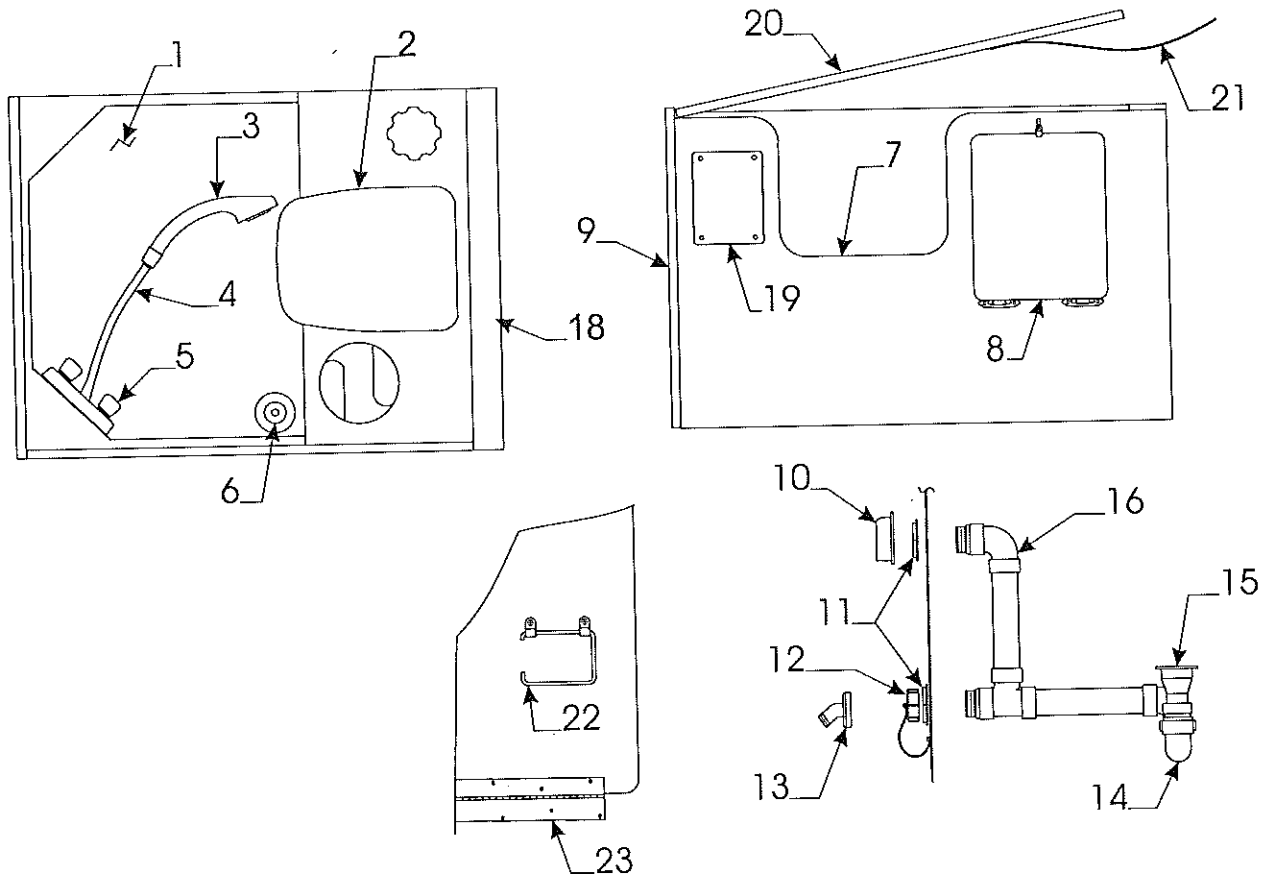
Rate	Code	Part #	Description	Flat Rate	Code	Part #	Description
1.00	1	4701-4681	upper galley top	.20	12	4733C4981	rocker switch (elec. pump)
.30	2	4710F0301	sink	.75	13	4701-4831	galley gazoodi rt.
		Note: refer to page 12 for sink components		.30		4064700091P	t-molding (8' pkg.)
1.00	3	4745E2741	mixer faucet	1.50	14	4701-4821	lower galley frt.
		4758-8508	dual facet use decal	.15	15	4701-4671	door panel 14 1/4" x 18 1/2"
	4	Note: refer to page 13 for stove components		.15		4733-6391	latch & strike pkg.
.15	5	4744A9261	knuckle latch m4	.15	16	4701-4661	door panel 9 1/8" x 18 1/2"
		4738-3088	screw x2	.25	17	4701-4841	galley molding
.25	6	4701-88661	galley rest pole	.75	18	4701-4861	lower galley frt. lt.
		4752-0551	plastic cap m2	.75	19	4701-4811	galley gazoodi lt.
.15	7	4701-1171	door panel - 15 3/4" x 7 3/4"	.30		4064700091P	t-molding (8' pkg.)
.15		4733-6391	latch & strike pkg.	.50	20	4701-4851	cabinet top lt.
.10	8	4701-1181	door pull "yellow"	.50	21	4757-2621	hinge
.10		4701-11861	door pull "gray"	.10	22	4716-9691	hose strap pkg.
.10	9	4739C0511	hinge	1.00	23	4701-4751	lower galley top lt.
		4749C4591	screw #6 x 3/8" m12		24	4064795603	3/8" u-channel "black"
.65	10	4064737503P	3/8" f-channel 48" pc.		25	4747-8941	black plastic cap m2
1.00	11	4701-4761	lower galley top rt.		26	4702-028	shelf
.20		4701-1461	kill switch m4				



Roadside Hutch Assy. - 4044 E2				Flat			
Flat	Code	Part #	Description	Rate	Code	Part #	Description
.75	1	4701-4721	hutch top	.10	5	4739C0511	hinge
.25	2	4754C0481	built-in cooler	1.00	6	4701-474	hutch front "rt."
.15	3	4701-1481	door pnl. 9 1/8" x 12"	.15	7	4701-4661	door pnl. 9 1/8" x 18 1/2"
.10	4	4701-1181	door pull "yellow"	.55	8	4701-473	hutch side lt.
.10		4701-11861	door pull "gray"	.10	9	4701-4831	galley gazoodi rt.
				.30		4064700091P	t-molding (8' pkg.)

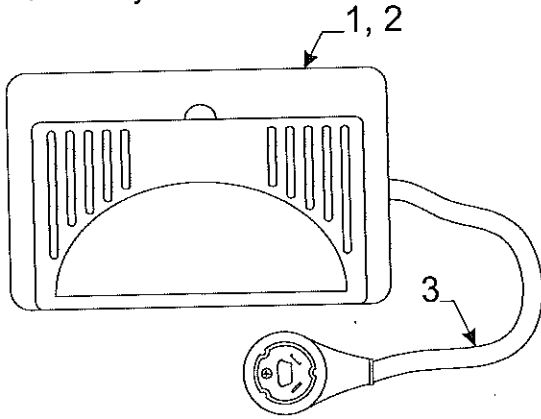


CSR Seat Cabinet Assy. - 4044 E2				Flat			
Flat	Code	Part #	Description	Rate	Code	Part #	Description
.25	1	4701-9581	cabinet top	.10	6	4739C0511	hinge
.75	2	4701-9611	seat gazoodi	.15	7	4701-1321	recessed mount
.30		4064700091P	t-molding (8' pkg.)			4749C4591	screw #6 x 3/8" m12
.15	3	4701-4671	door pnl. 18 1/2" x 14 1/4"	.10	8	4737A5558	fire extinguisher
.15		4733-6391	latch & strike pkg.	.05	9	4716-1191	fire extinguisher strap m2
.10	4	4701-1181	door pull "yellow"	.35	10	4064737503P	3/8" f-channel 48" pc.
.10		4701-11861	door pull "gray"	.50	11	4701-960	cabinet front
.50	5	4701-959	cabinet side				

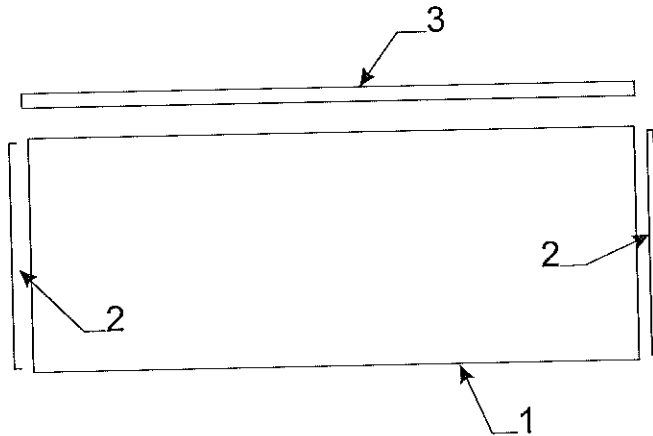
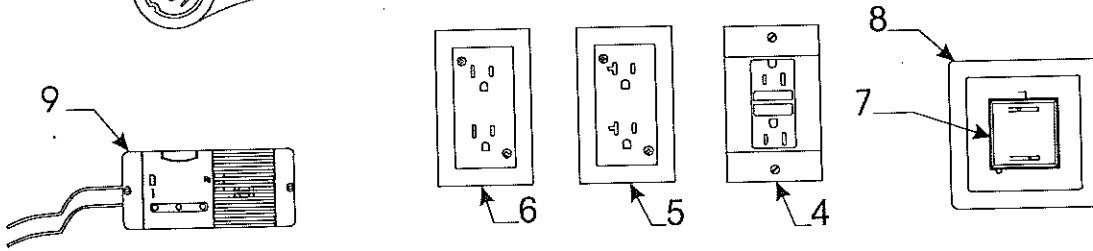


Flat Rate	Code	Part #	Description
1.50	1	4759A1001	shower pan
.75	2	4746C2461	cassette potty
.15	3	4767-0101	shower head w/bracket
		4767-0111	shower head brkt. (c-shape)
.20	4	4741B2051	shower hose (72" length)
.50	5	4741B2071	shower diverter
.10		4716-0848	shower hose connector
.50	6	4746A1821	basket & strainer
1.50	7	4800-4031	shower threshold
.30		4060300083P	t-molding (threshold) (12' pc.)
.15	8	4800A5411	potty door
.75	9	4800-4021	shower wall
.30		4060400091P	1/2" t-molding pkg. (12' pc.)
.20	10	4757-9261	vent cover "plastic"
.50	11	4757-0921	metal nut 1 1/2"
		4701-1871	plastic nut 1 1/2" pvc
.10	12	4714A2861	cap & strap
	13	4737-9138	drain adapter
.40	14	4752-3621	p-trap w/union joint
	15	4757-8561	drain plug adapter
1.00	16	4741B9301	vent system
	17	4741D6361	tub package. (Not Shown)
	18	4800-4041	shower back angle
	19	4800-4051	access cover
.40	20	4701-7421	shower cover board
.05	21	4754-7401	hold-up strap
	22	4756-9121	TP holder
		4747-2531	nylon clamp m2
.25	23	4756-4441	shower board hinge

WORLD FRIENDSHIP CO., LTD
 Warranty: 800-900-2468

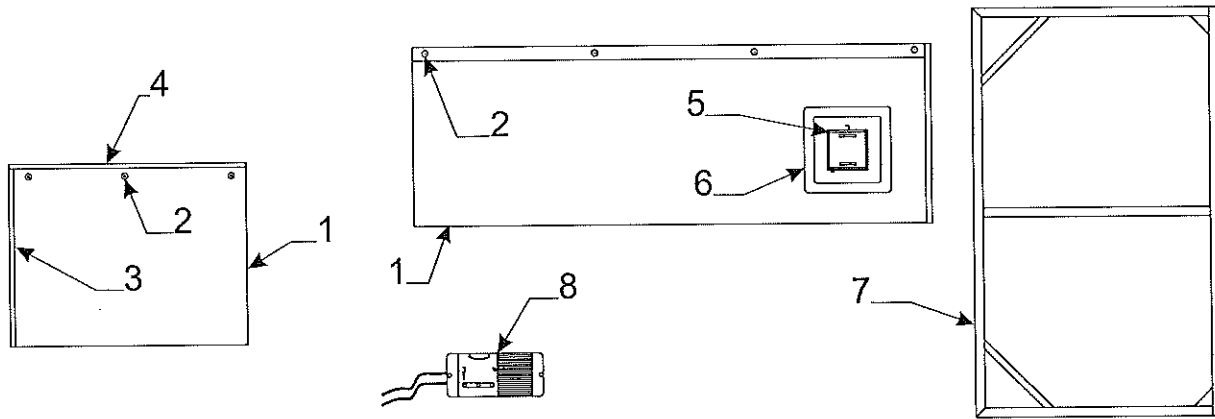


Flat Rate	Code	Part #	Description
1.00	1	4753E8201	converter 25 amp
	2	4716D1301	door & frame (plastic)
.60	3	4772-1601	power cord 32 ft.
.35	4	4746B3841	GFI receptacle "white"
.35		4701-1061	GFI receptacle "black"
.20	5	4752-2371	20 amp receptacle "white"
.20		4701-1071	20 amp receptacle "black"
.20	6	4752-2361	15 amp receptacle "white"
.20		4701-1081	15 amp receptacle "black"
		4746A3851	receptacle box
	7	4752A8461	thermostat
.20	8	4701-2341	plastic base & bracket
.25	9	4753B9171	lp gas detector "black"



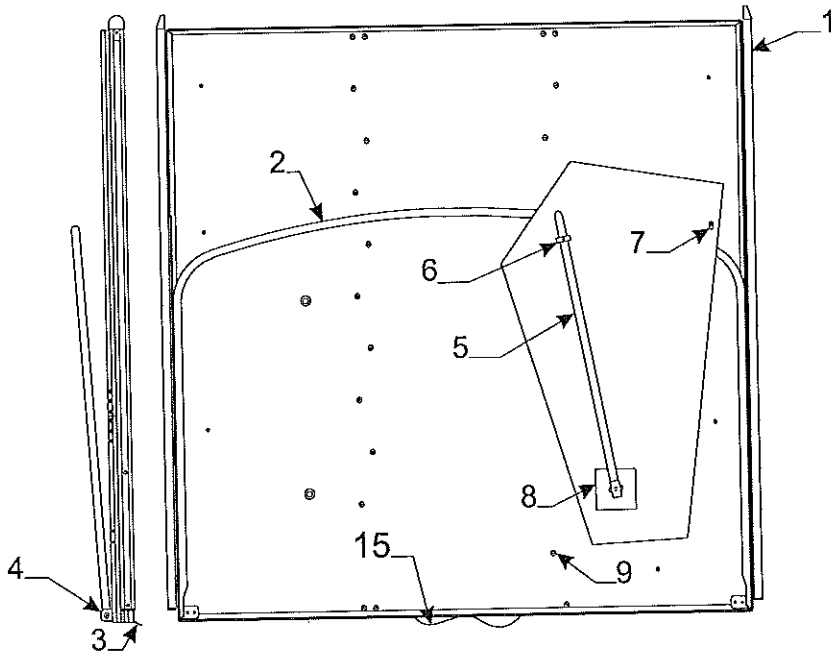
* Prior Authorization Needed

Flat Rate	Code	Part #	Description
*	1	6010415698P	wall panel 48" x 48"
*	2	4064700378P	corner divider m2 48" pc.
	3	4064700066	luan batten strip "black" 96" pc.



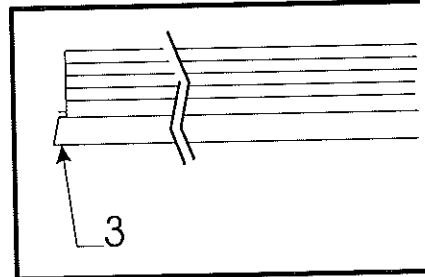
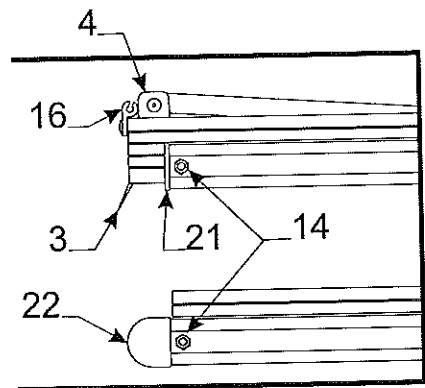
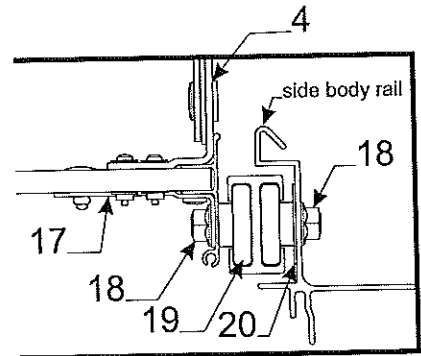
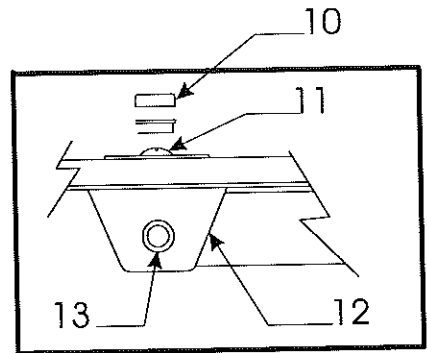
* Warranted Through Vendor

Flat Rate	Code	Part #	Description
.30	1	6010415698P	universal wall panel 48" x 48"
	2	4734J1861	rivet m25
		1202B0268	washer
.65	3	4060115606P	5/32" f-channel 48" pc.
.50	4	4060015605P	5/32" u-channel 48" pc.
*	5	4752A8461	thermostat
.20	6	4701-2341	plastic base & bracket
	7	4701-514	bench frame x2 - 4047 E1
		4701-705	bench frame x2 - 4044 E2
.25	8	4753B9171	lp gas detector "black"

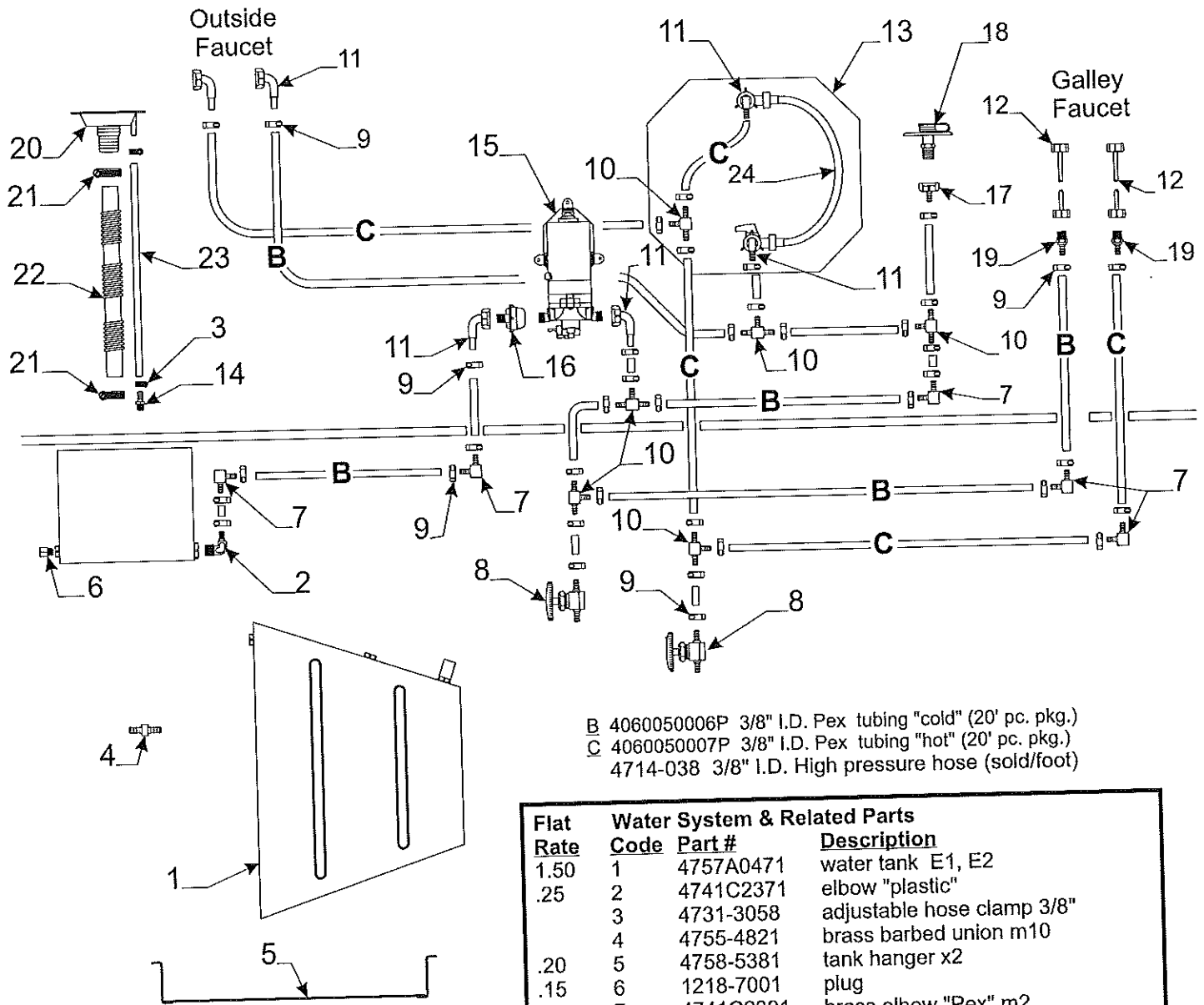


- 4047 E1 - 4701-5391 Front Bed Assy. "Complete" F.R. - .75
- 4047 E1 - 4769-5481 Rear Bed Assy. "Complete" F.R. - .75
- 4044 E2 - 4701-7281 Front Bed Assy. "Complete" F.R. - .75
- 4044 E2 - 4701-7291 Rear Bed Assy. "Complete" F.R. - .75

** .50 first extension
 ** .25 second extension



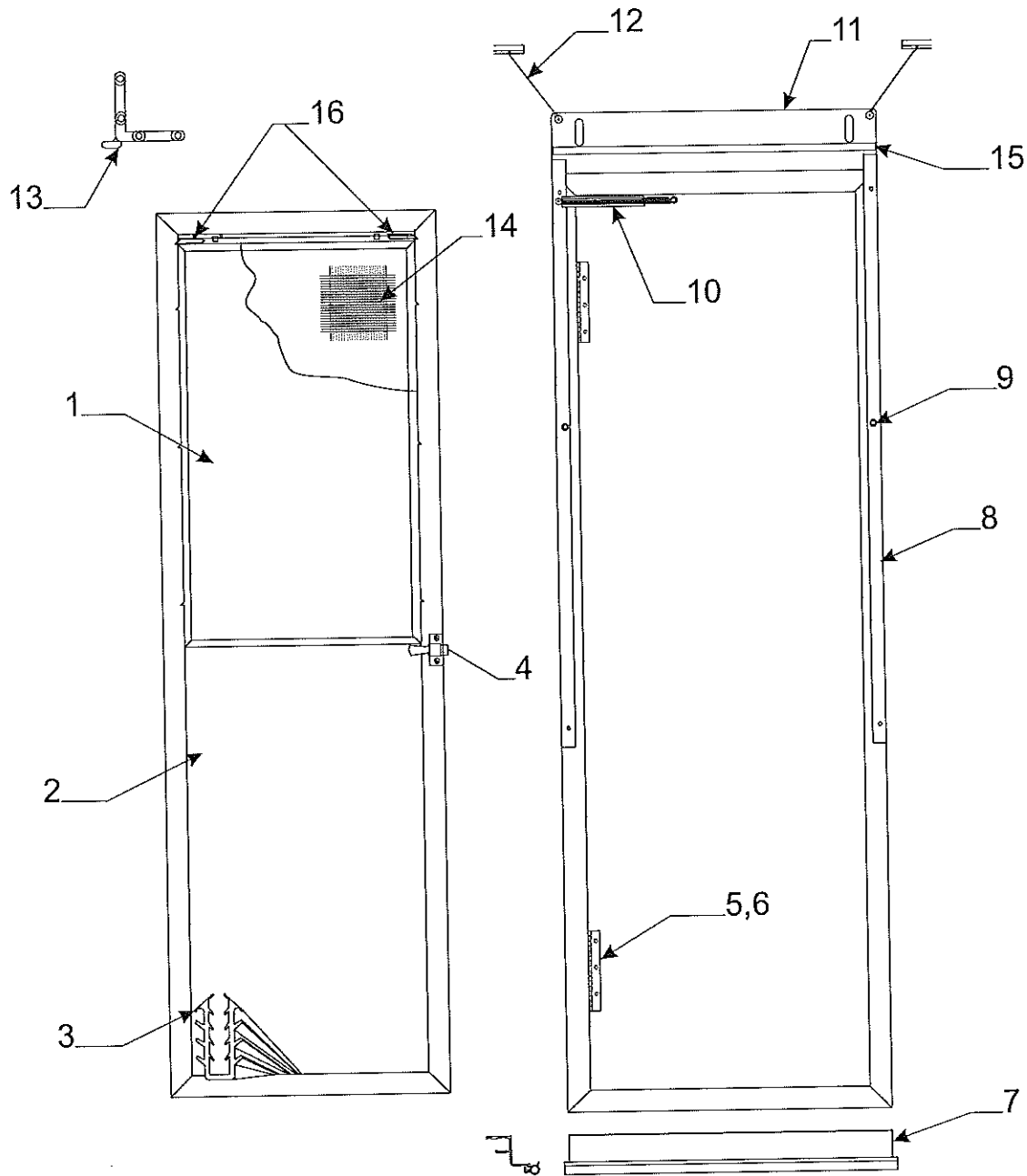
Flat Rate	Front/Rear Bed Assy. Code	Components Part #	Description
**	1	4716U4031	bed extension (x2 per bed)
Note: must cut bed extension to size where applicable			
.25	2	4714C1901	tent bow/leg package
.25	3	4060300339P	vinyl bed seal "brown" (8' pc. pkg.)
.15	4	4720K5631	bed bow bracket M2
.05		4757-9241	1 1/2" nylon fender washer m4
.20	5	4734E5881	bed leg assy. m2 (x2 front bed) E1
.20		4702-01061	bed leg assy. m2 (x2 front bed) E2
.20		4753-3811	bed leg assy. m2 (x2 rear bed) E1
.20		4767-20561	bed leg assy. m2 (x2 rear bed) E2
.15	6	4720C0771	bed leg clip m4
		1203-8831	rivet m25 (rivet clip to bed)
.15	7	4720D4021	lashing hook m6
		1203-8741	rivet m25 (rivet hook to bed)
.20	8	4737A4178	support plate
	9	1203C8721	rivet m25
	10	4739E2908	screw cap m10
		4739-2918	screw cap washer m10
	11	4716-074	screw
		1202B2528	washer
.20	12	4734A5141	bed leg bracket
	13	4720A2361	rod & pal nut
.20	14	1034B16128	flat head screw
		1201B6378	lock nut
.20	15	4758-9481	pull-out handle strap & rivets
		4758-8001	rivet "black" m25
.50	16	4758-8301	bed end retainer track & rivets
.20	17	4755A2591	bed brkt. w/mounting hardware x4
	18	4739-2298	lock nut
.50	19	4754-8101	bed roller, nut, bolt, & washer pkg.
	20	1202B2908	washer
.15	21	4754-8631	bed slide end cap
.15	22	4754-4821	bed slide wedge



B 4060050006P 3/8" I.D. Pex tubing "cold" (20' pc. pkg.)
 C 4060050007P 3/8" I.D. Pex tubing "hot" (20' pc. pkg.)
 4714-038 3/8" I.D. High pressure hose (sold/foot)

Flat Rate	Code	Part #	Description
1.50	1	4757A0471	water tank E1, E2
.25	2	4741C2371	elbow "plastic"
	3	4731-3058	adjustable hose clamp 3/8"
	4	4755-4821	brass barbed union m10
.20	5	4758-5381	tank hanger x2
.15	6	1218-7001	plug
.25	7	4741C2391	brass elbow "Pex" m2
.20	8	4741E2361	brass line drain "Pex"
.25	9	4741A2751	stainless steel clamp m100
25	10	4741C2381	brass tee "Pex" m10
.20	11	4741B9061	copper swivel elbow
.50	12	4757-3671	48" pex riser
*	13	4750-3421	water heater
.15	14	4732B4561	hose adapter
.50	15	4741D5571	electric water pump
.25	16	4747A8311	water filter
.20	17	4741A9561	female adapter "copper"
.30	18	4701-0781	city fill
.20	19	4757-3631	brass adapter 3/8" barb
.30	20	4701-0771	fill spout
	21	4715-4501	adjustable hose clamp
.35	22	4731H1081	water fill hose (3' pc.)
.20	23	4060050003F	1/2" h.p. hose (sold/ft.)
	24	4765-9971	water heater bypass kit

* Warranted By Vendor

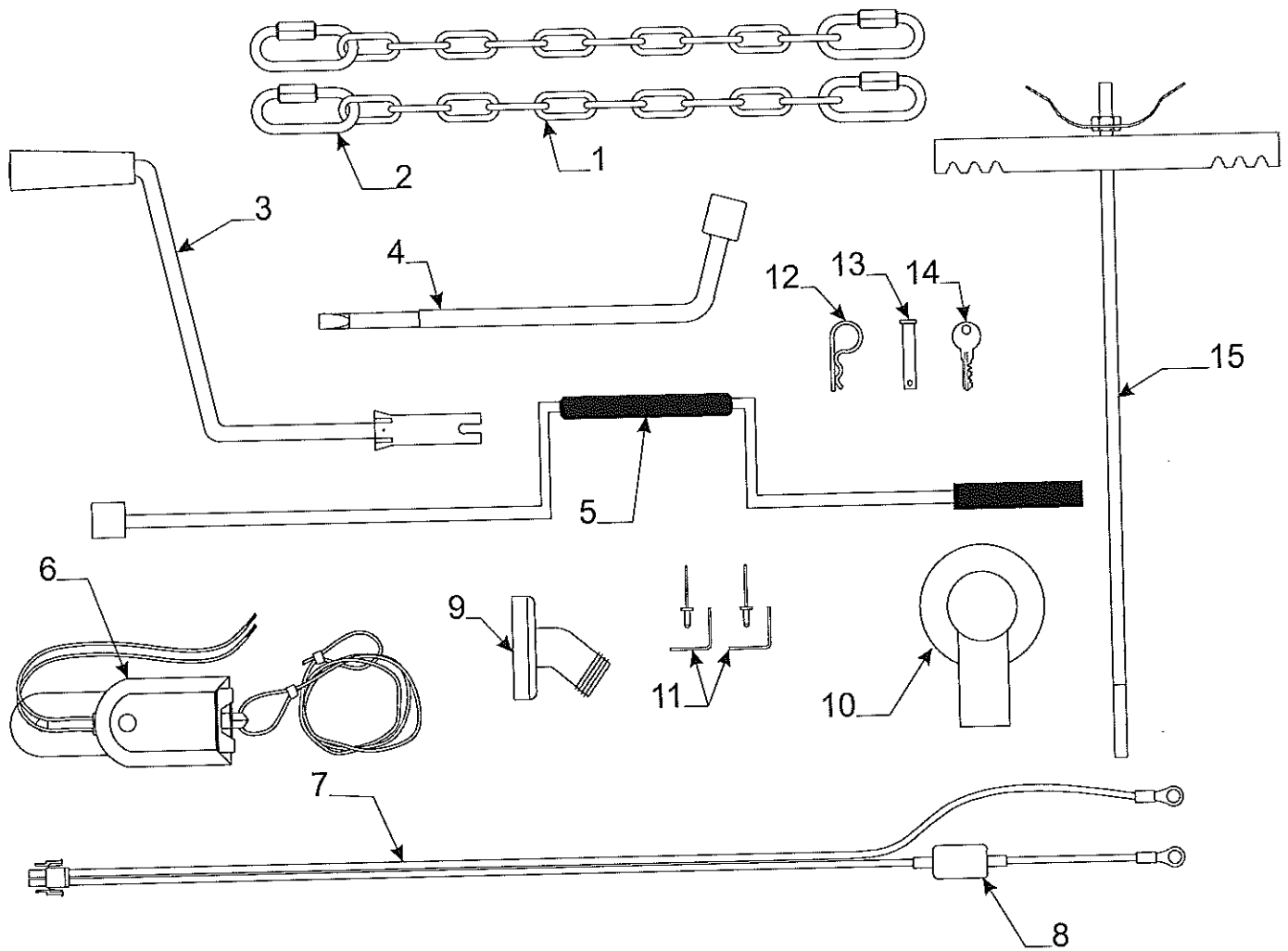


4701-5401 Screen Door Complete - E1, E2

.30 Flat Rate Screen Door Complete

Note: parts marked w/* asterisk are not included w/screen door

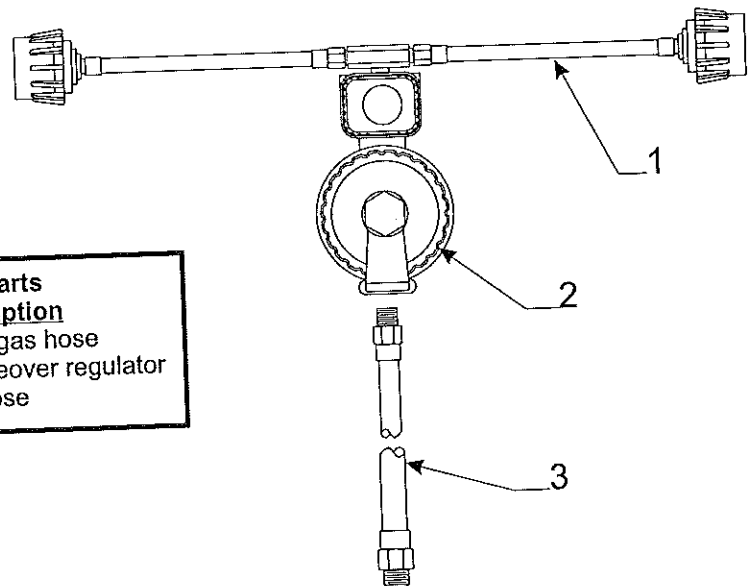
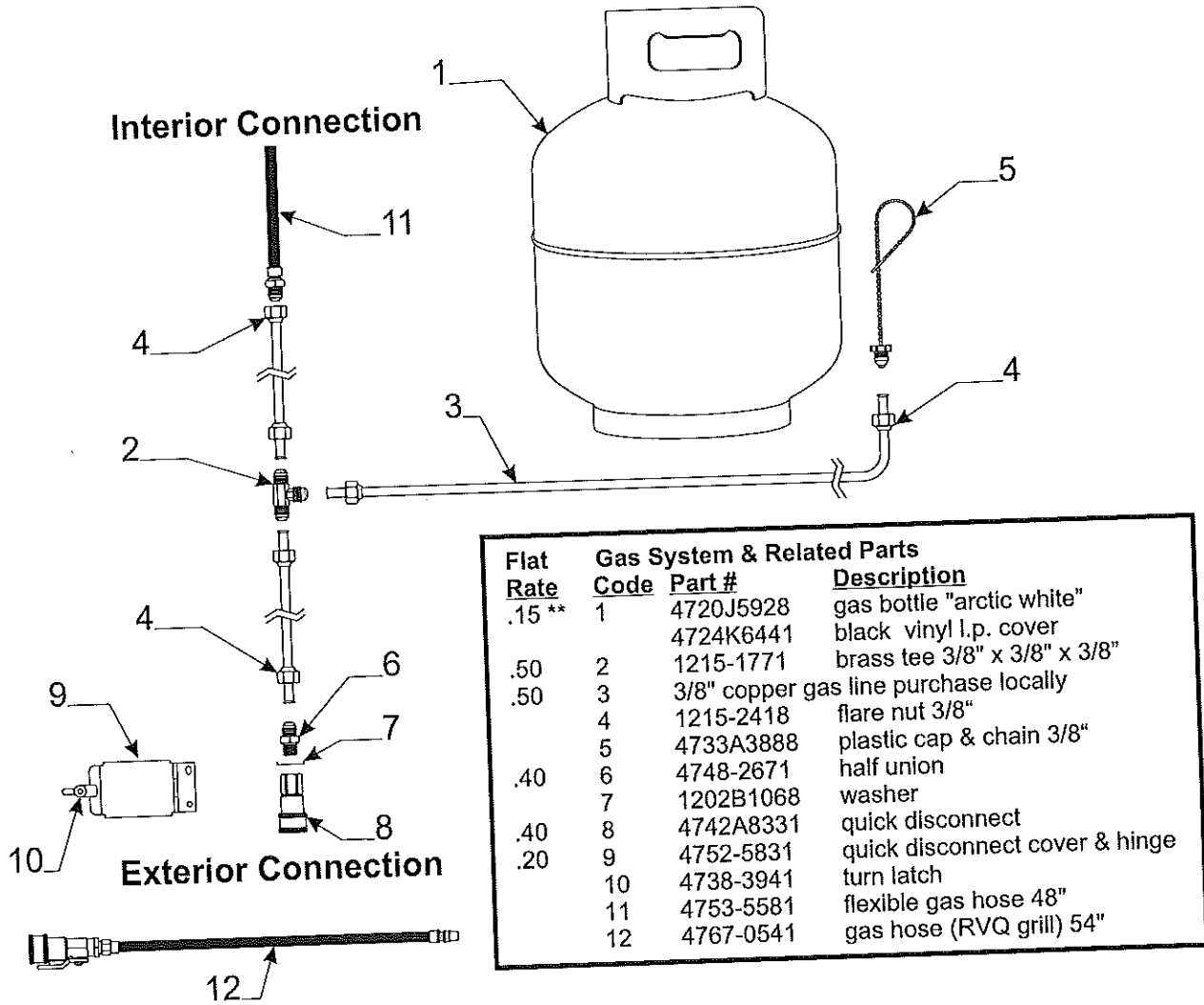
Flat Rate	Code	Part #	Description	Flat Rate	Code	Part #	Description
.10	1	4713-0141	top sliding window pane	.05	9	4730A3548	stud w/screw x2
.40	2	4701A1601	stationary window pane	.20	10	4731A8201	spring package
.15	3	4060000086F	rubber seal (sold/foot)	.30	11	4758B0571	top bracket
		Note: around perimeter of window pane		.15	12	4734D5211	cabl assy. m6
.15	4	*4742-9671	door latch assembly	.50	13	4710-3791	corner brace hinge m2
.15	5	4720C3601	hinge x2		14	4716-1381	screened stationary pane
	6	1203-8641	rivet m25	.75		4716-1111	screening 36" x 18 1/2"
.25	7	*4747B5621	screen door support	.10	15	4060000023P	d-seal "white" (5' pkg.)
		*4060000399F	rubber seal (sold/foot)	.50	16	4716-3811	window lock pkg. rt./lt.
.20	8	4754-3811	vel-stick (pkg. of 2)				



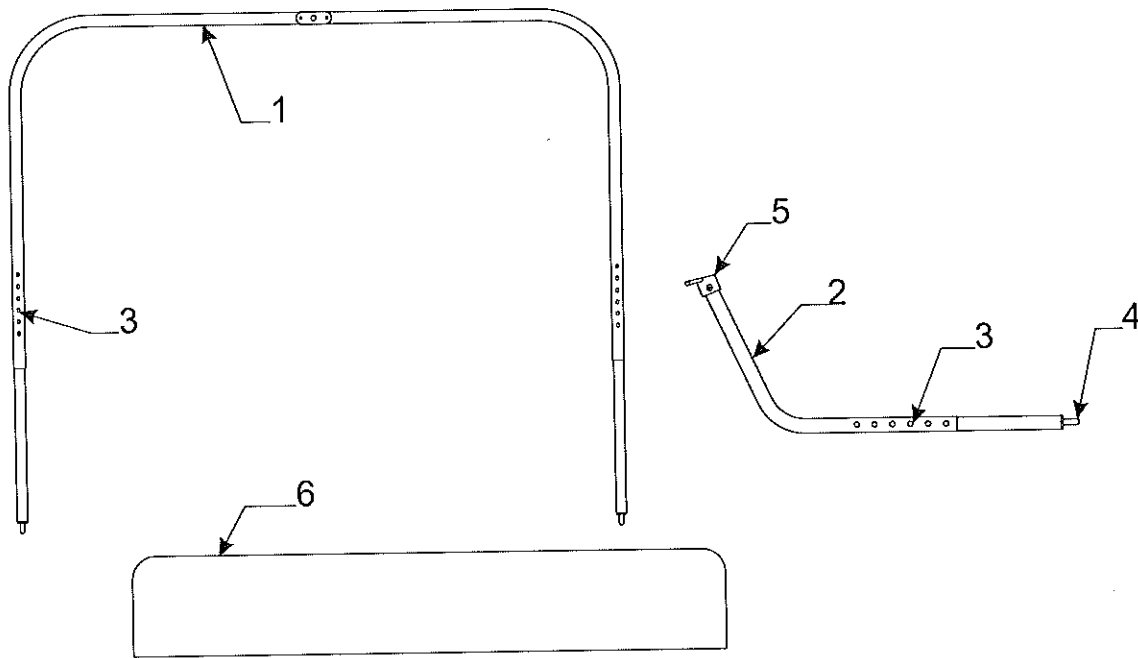
4701-5511 Parts Package - 4047 E1, 4044 E2

Parts Package Component Parts		
Code	Part #	Description
1	4757-3901	safety chains w/quick links m2
2	4757-3891	quick link (sold/signally)
3	4747G4141	crank handle
4	4749A1861	lug nut wrench
5	4761-2401	stabilizer crank
6	4746-0401	breakaway switch
7	4749B5531	battery harness w/15 amp breaker
8	4751-4811	15 amp circuit breaker
9	4737-9138	drain adapter
10	4734C3781	regulator cover
11	4753E6781	battery angle pkg.
12	4732A4791	safety pin m10
13	4771-2631	hitch pin m5 - 3947 Evolution
	4757-4491	hitch pin m5 - 3948 Scorpion
14	4730B3211	key m10 # 8025 (gold plated)
15	4772A9521	gas bottle hold down kit

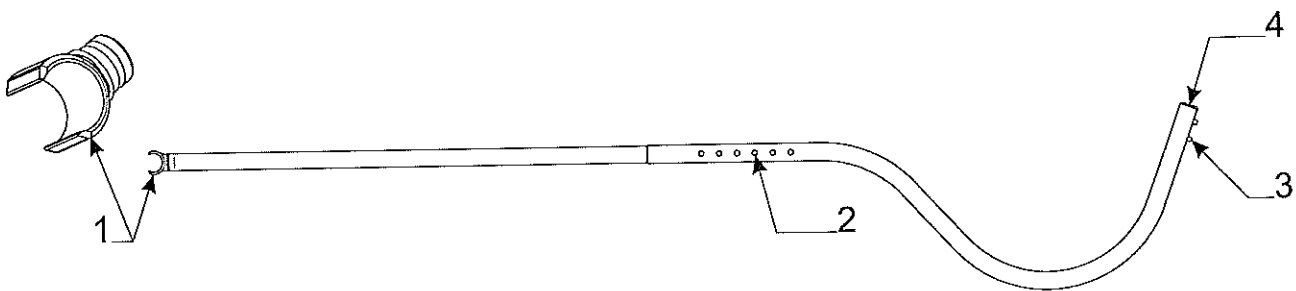
**** Serial Number Of Gas Bottle Must Be Supplied When Submitting Warranty**



Flat Rate	Gas Regulator & Related Parts Code	Part #	Description
	1	4761-1921	12" lp gas hose
	2	4701-2111	changeover regulator
	3	4737-8871	gas hose



Tip-Out Tent Bow 4044 E2			
Flat Rate	Code	Part #	Description
.10	1	4701-7401	tip-out tent bow assy.
.05	2	4754E6761	tip-out tent support
.10	3	4757-4201	tent support shim
.20	4	8470-1728	black pin m10
.10	5	4757-1351	tent support tip w/screw
		4733B4511	steel loop m2
.10	6	4702-0361	tip-out support board



Tent Support Components			
Flat Rate	Code	Part #	Description
.20	1	4757-4301	tent support clasp m10
.10	2	4734-6708	spring assy.
.10	3	4734A6708	spring assy.
.10	4	4752A0561	tube closure "black" m2

Tent Support Assemblies (Complete)		
Flat Rate .10 per Tent Support		
Model	Front Bed	Rear Bed
4047 E1	4759A6891	4769B5641
4044 E2	4769B5641	4759A6891

Dinette Area Cushion/Backrest Assemblies & Covers - 2006 Evolution Series Flat Rate .10 Assembly - .25 Cover

<u>Model</u>	<u>Cushion Assembly</u>	<u>Cushion Cover</u>	<u>Model</u>	<u>Backrest Assembly</u>	<u>Backrest Cover</u>
4047 E1	4701A5441	4713A5441	4047 E1	4701-5431	4713-5431
4044 E2	4701-7151	4713-7151	4044 E2	4701-7161	4713-7161

Plastic Cushion Button x2 - 4710-2681 m5

<u>Dinette Cushion/Backrest Dimensions</u>			
<u>Model</u>	<u>Cushion Assembly</u>	<u>Model</u>	<u>Backrest Assembly</u>
E1	41" x 17" x 4"	E1	40" x 15 1/2" x 3"
E2	39 1/4" x 17 1/2" x 4"	E2	39 1/4" x 16 3/4" x 3"

Drape Package - 4047 E1, 4044 E2
Note: Package includes privacy curtains

<u>Drape Pkg.</u>	<u># Of Panels</u>	<u>Flat Rate</u>
4701A5461	8	.30
4701-7801	8	.30

Drape Tab C-Shape m60 - 4750-2891 Flat Rate - .05

Privacy Curtain Pkgs. (Set of 2 Panels)
 .15 4713-5461

Single Drape Panel w/Safety Straps
 .15 4713A0011 Single Drape Panel 45" x 40"
 .15 4713A0021 Single Drape Panel 24" x 40"

Drape Tie Package (Qty. 1) 4701-5471 Flat Rate - .05
 4724A2011 shock cord termination (plastic hook) m10

Shower Curtain/Valance - 4044 E2
 .15 4757-7301 - shower curtain - white vinyl

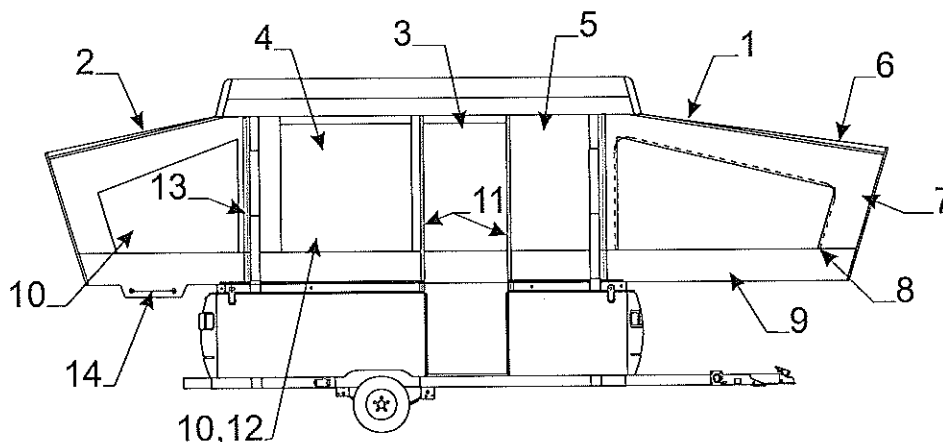
Flat Rate .50 per cover

Mattress Assemblies & Covers - 4047 E1, 4044 E2

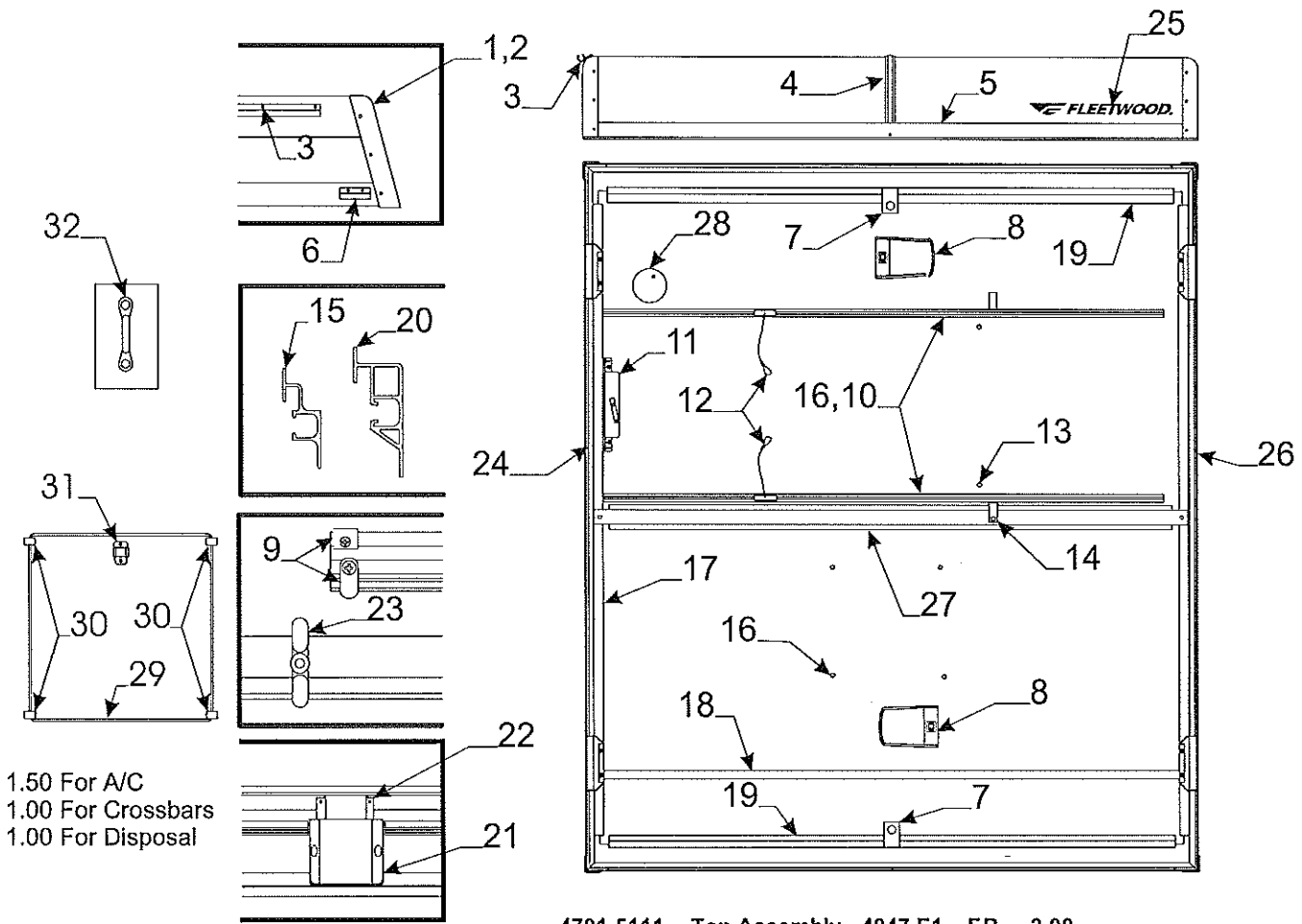
	<u>Matt. assy. front</u>	<u>Matt. Cover front</u>
4047 E1	4701-1641	4714-1641
4044 E2	4701-1631	4714-1631

	<u>Matt. assy. rear</u>	<u>Matt. Cover rear</u>
4047 E1	4701-1631	4714-1631
4044 E2	4701-1641	4714-1641

Mattress Assembly Dimensions
 77" x 48" x 3 1/2" 77" x 66" x 3 1/2"



Tent Sections & Related Parts - 4047 E1, 4044 E2			
Flat Rate	Code	Part #	Description
.50	1	4701A5521	double boot (used on frt. of E1, rear of E2)
.50	2	4701A5561	queen boot (used on frt. of E2, rear of E1)
.20	3	4701-5541	large window 4047 E1
.20		4701-7361	large window 4044 E2
.20	4	4701-5531	small window 4047 E1
.20		4701-7341	small window 4044 E2
.15	5	4701-5551	door seal 4047 E1
.15		4701-7351	door seal 4044 E2
	6	8118501430P	top vinyl pkg. (85" x 3 yards)
	7	4716C0851	sunbrella patch package (12" x 14")
	8	6650500131F	zipper (sold/yard) used around window
		1225A4461	zipper pull m5
	9	8118001440P	black bottom vinyl facing pkg. (3 yd. x 80")
	10	4714E1611	screen package (84" x 3 yards)
		4714A0361	screen package (84" x 13 yards)
	11	4350000009P	1" velcro hook (10' pc. Pkg.)
	12	4716-2401	clear window vinyl (41" x 2 yards)
	13	1225G3768	45 1/2" side zipper pin half
		1225G3758	45 1/2" side zipper slider half
.50	14	4060000245CP	shock cord (150' package)
.50		4714C6021	shock cord & hooks m2 (two 14' lengths)
.15		4724A2011	shock cord termination (plastic hook) m10
	15	4060000024F	arrowhead seal (sold/foot)
.30	16	4735D6721	extension harness
.50	17	4743-1588	k-kote seam sealer
	18	4728-5641	tent retainer pkg.
.30	19	4710-1011	vinyl daubing "gray" m2
.30		4713-0311	vinyl daubing "black"



1.50 For A/C
 1.00 For Crossbars
 1.00 For Disposal

4701-5111 Top Assembly - 4047 E1 F.R. - 3.00
 4701-7251 Top Assembly - 4044 E2 F.R. - 3.00

Flat Rate	Code	Part #	Description	Flat Rate	Code	Part #	Description
.50	1	4713-0031	top corner pkg. (pkg. of 4)	.15	14	4723A5061	strap x2
		4356500043P	3/16" x 1" butyl tape (20' pc. pkg.)	.30	15	4060000093P	tent track (frt./rr.)
		4757-9298	silicon caulking "black"			1103E1018	screw stainless steel
.50	2	4758-9921	screw "black" m12	16	1203-9258	plastic accordion rivet m25	
		4701-8261	canopy track (must cut to size)	17	4767-3861	side cove x2 (must cut to size)	
		4350000175P	1/8" x 5/8" sealing tape (12' pkg.)			4747-2558	expansion rivet m25
1.00	4	4701-04991	center seam (must cut to size)	.20	18	4350400004F	vinyl tape (sold/foot)
		4060400097F	vinyl screw cover "black" (sold/foot)	19	4756B0671	cove (front/rear)	
		4354700034P	sealing tape 1/8" x 3/4" "black"			4747-2558	expansion rivet m25
.50	5	4701-052	frt./rr. top seal extrusion E1, E2	.30	20	4060000092P	tent track (must cut to size)
.15	6	4701-0481	top strike "black" m2			1103E1018	screw stainless steel
		4701-0531	torx head screw "black" m12	.20	21	4747D5521	lift pocket cover x4
		1201B6958	nut (x2 per strike)			4741D3558	hole plug x2
.10	7	4741F11381	tent support brkt.			4351400005F	velcro loop (sold/yard)
		4741C9368	screw "painted" x2	.25	22	4741B5431	lift pocket x4
.15	8	4737K5911	single dome light			1201B6378	lock nut (x2 per pocket)
		4758-1361	dome light lens	.15	23	4743-2501	screen door latch pkg.
		1103B1028	screw x4	.50	24	4060100399P	rubber top seal (40' package)
		4728A5641	tent retainer pkg.	.25	25	4701-2628	Fleetwood decal
		4750-2891	drape tab m60	.75	26	4701-055	side seal extrusion - E1
.30	10	4733H47181	screen door track x2	.75		4702-005	side seal extrusion - E2
		4744B4611	expansion rivet m25			27	roof brace & hardware
.20	11	4749C5571	screen door bracket	.15	28	4767-4641	carbon monoxide detector
		4747-2558	expansion rivet m25	.10	29	4755B5231	shower curtain rod - E2
		4749-2138	snap button m2	.20	30	4755-5211	shower rod strap x4 - E2
		1203-8631	rivet m25	.15	31	4767-0111	shower head brkt. - E2
.15	12	4734D5211	screen door cable m6		32	4733B4511	steel loop m2 - E2
		4730A3548	stud w/screw x2				