



2006

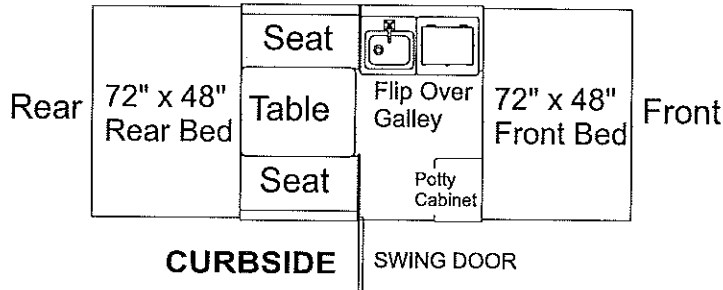
**Destiny Series
Repair Parts Catalog**

- 4075 Taos 8'
- 4043 Tucson 8'
- 4056 Yuma 9 1/2'
- 4088 Sea Pine 11'

2006 DESTINY SERIES

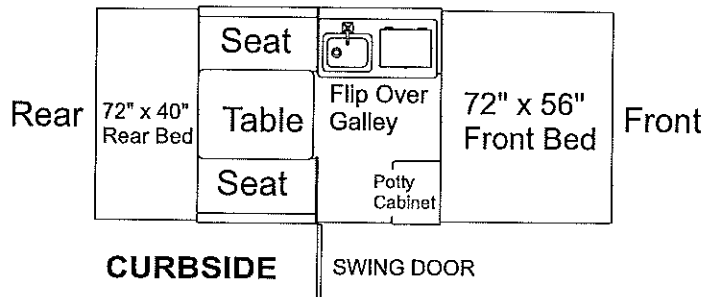
4075 TAOS 8'

ROADSIDE



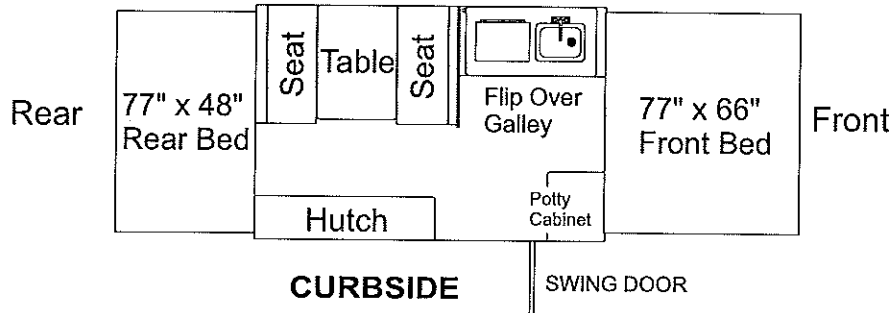
4043 TUCSON 8'

ROADSIDE



4056 YUMA 9 1/2'

ROADSIDE



4088 SEA PINE 11'

ROADSIDE

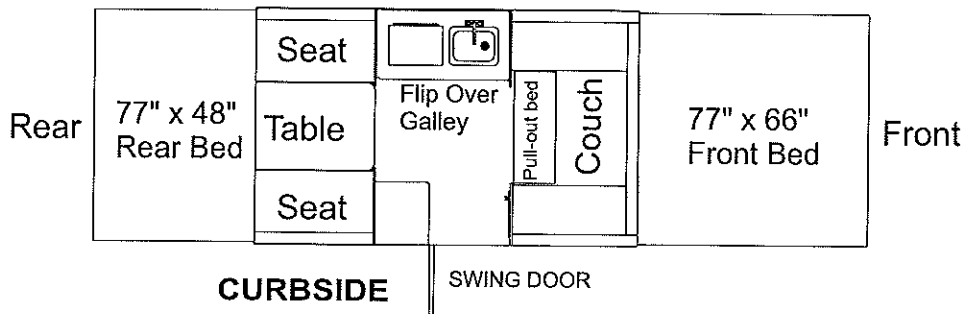
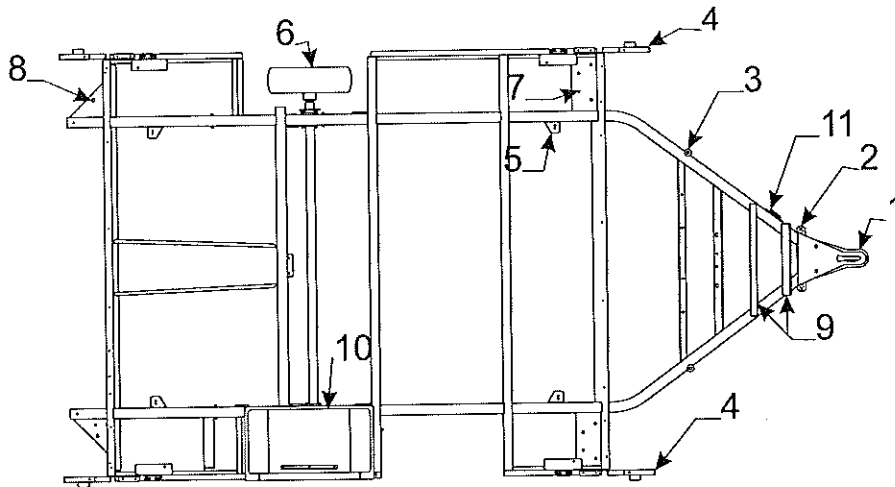


TABLE OF CONTENTS

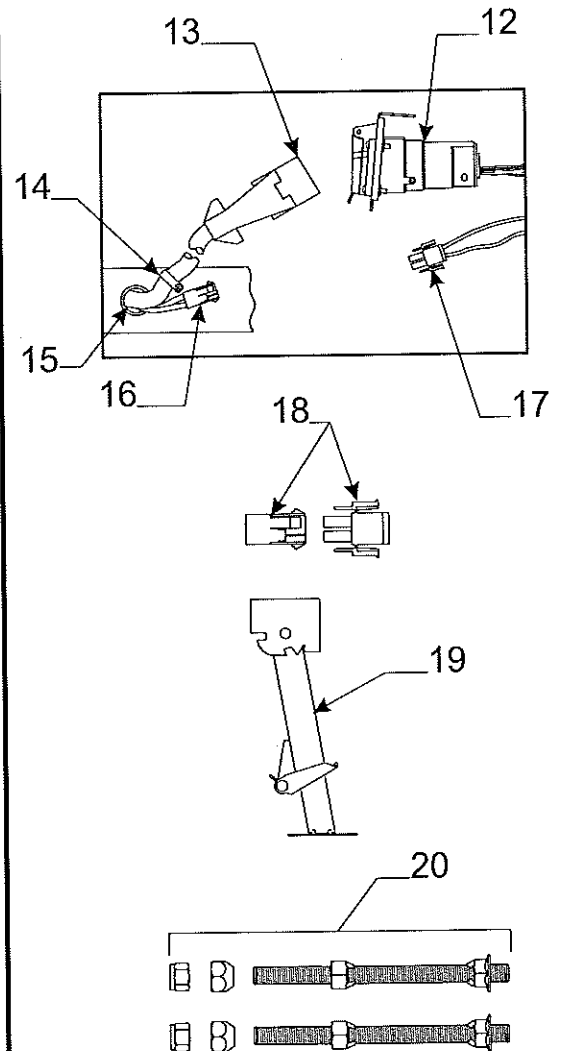
<u>DESCRIPTION</u>	<u>PAGE</u>
Access door key	26
Access door assembly & related parts	8
Auto extension	19
Axle assemblies & related parts	5
Backrest assemblies & covers	25
Bed assembly components	20, 21
Bed extensions & related parts	20
Body panel right rear (curbside)	7
Body panel left side (roadside)	9
Body panel front & rear	6
Body panel right front (curbside)	7
Bumper & related parts	6
Cabinet assembly csf corner cab.	16
Cabinet "curbside rear" - Sea Pine	18
Caulking	19
Converter & related parts	16
Cooler (built-in)	12, 13, 14
Corner bulkhead assembly	2
Coupler assembly	2
Crank-up/crank-down components	4
Crank handle	26
Cushion assemblies & covers	23
Door bulkheads	8
Drain assy./drain hose (used on sinks)	10
Drape packages & related parts	25
Electric brakes & related parts	5
Fire extinguisher & components	18
Floor covering	2
Frame assembly & related parts	2
Furnace vent	9
Gas bottle cover (black vinyl)	27
Gas bottle mounting brackets	26
Gas bottle & related parts	27
Gas detector	16
Gas hose (gas bottle hook-up)	27
Gas hose (RVQ grill)	27
Gas quick disconnect (outside stove)	27
Grease cap (dust cap)	5
Hub assembly & related parts	5
Hutch assembly "curbside" - Yuma	18
Lift assemblies & related parts	3
Lift trim & miter covers	7, 9
Lower galley components - Yuma	13
Lower galley components - Sea Pine	12
Lower galley components - Tucson	14
Lower galley components - Taos	15
Lug wrench	26
Mattress assemblies & covers	21

<u>DESCRIPTION</u>	<u>PAGE</u>
Paint (spray & quart can)	19
Paneling & trim	19
Parts package & components	26
Pigtail (car end)	2
Power cord (converter)	16
Receptacle (exterior)	7
Receptacle (interior)	16
Refrigerator vents	9
Regulator & fittings	27
Safety chains	26
Screen door & related parts	24
Seat bench component parts	17
Shower "outside shower assy."	9
Sink & related parts	10
Spare tire cover (black vinyl)	2
Spare tire mount package	2
Stabilizer assembly	2
Stabilizer handle/lug wrench combo	26
Step components (pullout outside step)	8
Stove components (upper galleys)	11
Stove components (lift-out stove Taos)	11
Table assemblies & related parts	11
Taillights (rear body panel)	6
Tent support assemblies & related parts	19
Tenting & related parts (sunbrella)	28
Thermostat (Hydro Flame)	16
Thrust bearing	4
Tie backs (curtains)	25
Tire & rim	2
Tire cover "black vinyl"	2
Tire mount bracket	6
Tongue jack & related parts	4
Top assemblies & related parts	29
Trim tape kits	6, 7, 8, 9
Upper galley components - 4056 Yuma	13
Upper galley components - 4088 Sea Pine	12
Upper galley components - 4043 Tucson	14
Upper galley components - 4075 Taos	15
Valance package	25
Water heater	23
Water heater door (exterior)	9
Water pump components	10
Water system & related parts	22, 23
Wheel well	2
Whiffletree & related parts	3
Zippers (tenting assemblies)	28

Axle/Brakes - Dexter	219/295-1900
Converter - World Friendship Co.	800/900-2468
Furnace - Hydro Flame #7916-11	800/546-8759
Mixer Faucet - Empire Brass	800/431-6440
Hand Pump - Leisure Components	562/865-0401
Refrigerator - Dometic	800/216-5115
Stove/Grill - Vitco	877/825-8528
Tire - Kenda	800/225-4714
Water heater - #5031E	423/775-2131
Yakima bike rack - to obtain repair parts .	800/925-4621



Flat Rate	Frame Code	Assembly Part #	Component Parts Description
1.50	1	4772-4231	coupler assembly 2"
.75	2	4748-6611	chain bar w/pins
.75		4720A3561	chain bar w/o pins
.50	3	4758-0381	bed leg pin & washer
.10		4747-8941	pin cover m2 (plastic)
2.00	4	4769-5451	corner bulkhead csf/rsr 4056, 4088
2.00		4769-5441	corner bulkhead rsf/csr 4056, 4088
2.00		4769-6541	corner bulkhead csf/rsr 4043 Tucson
2.00		4769-6531	corner bulkhead rsf/csr 4043 Tucson
2.00		4747A5501	corner bulkhead csf/rsr 4075 Taos
2.00		4747A5511	corner bulkhead rsf/csr 4075 Taos
		1203C8751	rivet m25 (rivet bulkhead to frame)
.75	5	4732E3671	adjustable pulley brkt. x4
.25		4715A5371	pulley & bearing m10
		4720C1578	short pin m4
		1204B1081	cotter pin m10
.25	6	4757A2468	tire & rim 13" lr "C" 4088
.25		4754C1558	tire & rim 12" lr "C" 4056, 4043, 4075
		4747G4841	black vinyl tire cover 12"
		4723G3161	black vinyl tire cover 13"
	7	4769-6841	stabilizer gusset csf 4088
		4769-6851	stabilizer gusset rsf 4088
		4752-302	stabilizer gusset rsf/csf 4075 Taos
		4755A7201	stabilizer gusset rsf/csr 4056 Yuma
		4755B6651	stabilizer gusset rsf/csr 4043 Tucson
	8	4752-6001	stabilizer gusset rear 4088, 4056, 4075
		4755A7191	stabilizer gusset rsr/csf 4056 Yuma
		4755B6641	stabilizer gusset rsr/csf 4043 Tucson
	9	4716A7151	frt./rear battery angle pkg.
2.00	10	4759-0931	wheel well assy. x2 4088, 4056
2.00		4755A7301	wheel well assy. x2 4043 Tucson
2.00		4747A4161	wheel well assy. x2 4075 Taos
.75	11	4720B3331	jack bracket (welded to tongue)
	12	4746A5591	pigtail - "car end" (all)
	13	4753B3751	trailer harness (all)
	14	1201-8738	3/8" clamp
		1203C8721	steel rivet m25
	15	4742-8108	1 1/4" snap bushing
	16	4716A5001	12 volt power harness
.15	17	4749B5531	12v wire harness m2 (battery connection)
	18	4716A4701	12 volt cap & plug m2
.25	19	4720D0731	stabilizer assembly 4088, 4056, 4075
.25		4751B3351	stabilizer assy. (screw down) 4043 Tucson
		4739-2298	nut (affix stabilizer)
.25	20	4769-6551	spare tire mount kit 4088, 4056, 4043
.25		4713-0561	spare tire mount kit 4075 Taos

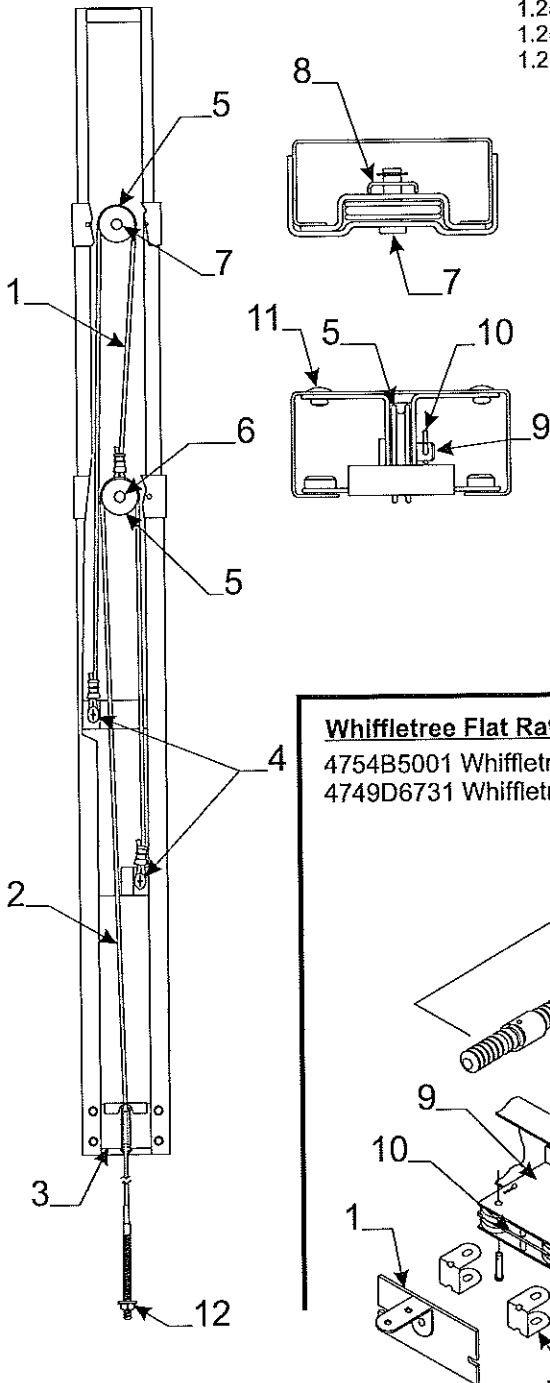


* 6610007209P floor covering pkg. (7 1/2' x 14')
(Sea Pine, Yuma, Tucson)

* 6610007203 floor covering (sold/ft.)
(Taos only)

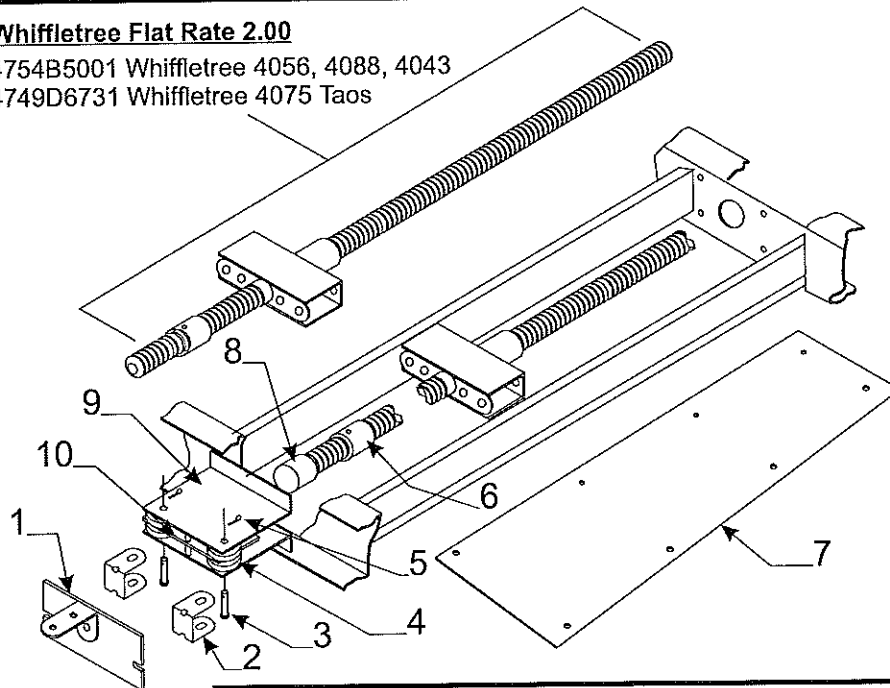
* Prior Authorization Needed From Factory

- 1.25 4716A0031 lift assembly roadside rear/curbside front - 4056, 4088, 4043
- 1.25 4716A0041 lift assembly roadside front/curbside rear - 4056, 4088, 4043
- 1.25 4716-0051 lift assembly roadside rear/curbside front - 4075 Taos
- 1.25 4716-0061 lift assembly roadside front/curbside rear - 4075 Taos

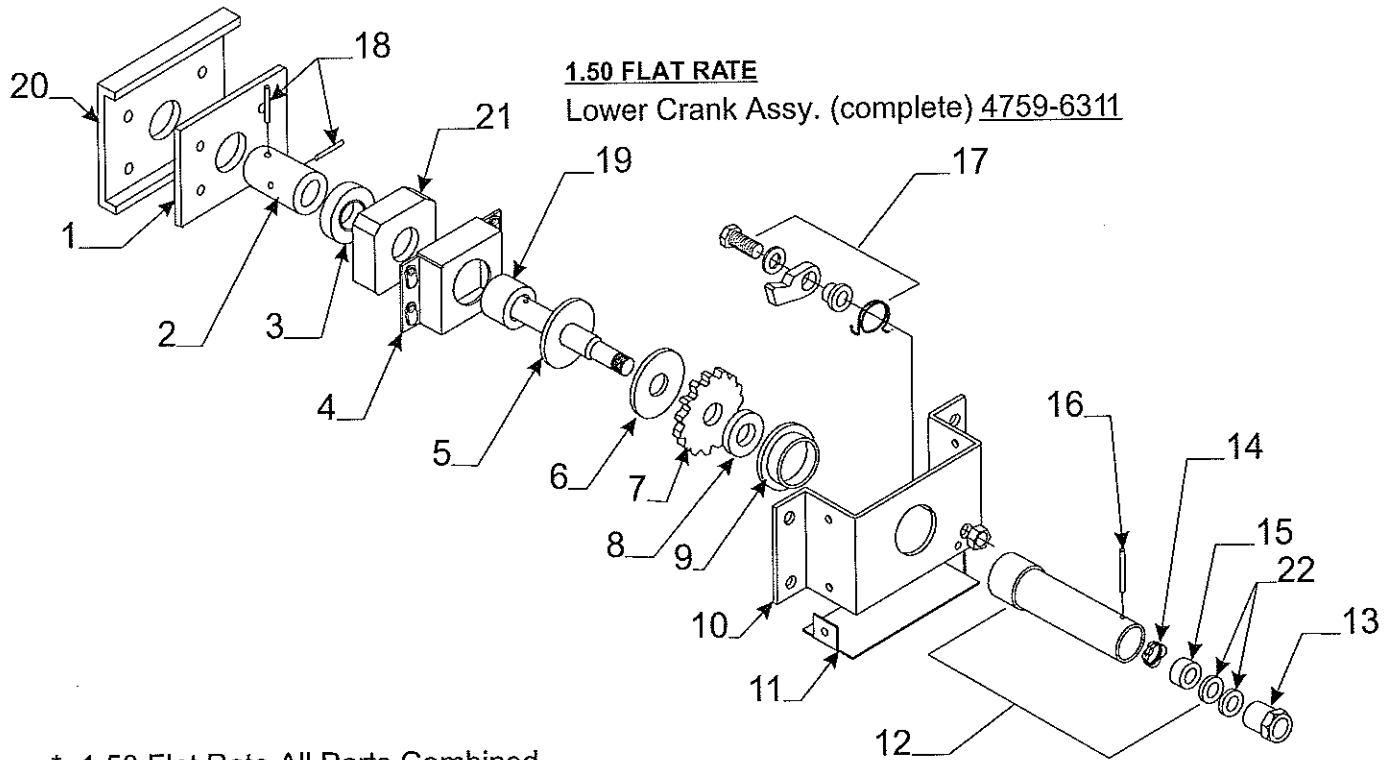


Flat Rate	Lift Assembly Code	Component Part #	Description
.75	1	4720D5271	cable assy. x1 m2 4056, 88, 43
.75		4720C5271	cable assy. x2 m2 4075 Taos
		4720C1691	cable crimp m20
1.25	2	4772-0201	194 1/2" long cable & crimp
		4744-1318	copper cable crimp m10
1.25	3	4731C5801	butterfly bracket assy.
.05	4	4749-2081	screw m6
.50	5	4715A5371	steel pulley & bearing m10
.25	6	4747-8931	long pin x2
		4730B0981	retaining ring m12
.25	7	4749-4061	short pin m4
		4730B0981	retaining ring m12
.25	8	4749A2028	retaining clip
.45	9	4720C1578	lift pin m4
	10	1204B1081	cotter pin m10
	11	1203-8641	rivet m25
	12	1201B6378	1/4" lock nut
		1202E0408	washer

Whiffletree Flat Rate 2.00
 4754B5001 Whiffletree 4056, 4088, 4043
 4749D6731 Whiffletree 4075 Taos



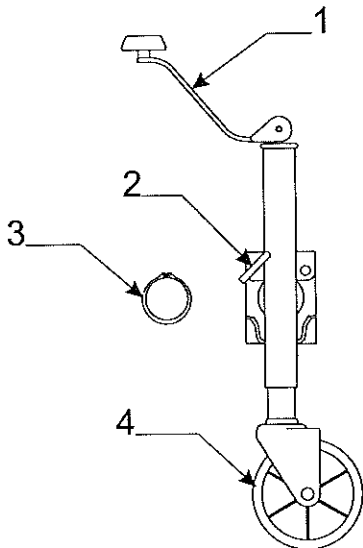
Flat Rate	Whiffletree Code	Related Part #	Description
.15	1	4749A821	mud flap & brkt.
.50	2	4744B1741	cable retainer x2
.20	3	4720J1561	long pin m4
.50	4	4715A5371	pulley & bearing m10
.10	5	1204B1081	cotter pin m10
1.60	6	4710B4248	bushing
		4744A1301	solid shear pin m10
.25	7	4752B4921	whiffletree pan cover 4056, 88, 43
.25		4757-1121	whiffletree pan cover 4075 Taos
		4755-4611	tek screw m25 (fasten cover in place)
2.00	8	4730D1291	screw socket (welded)
2.00	9	4720-1551	pulley plate
.50	10	4715D5661	pulley spacer



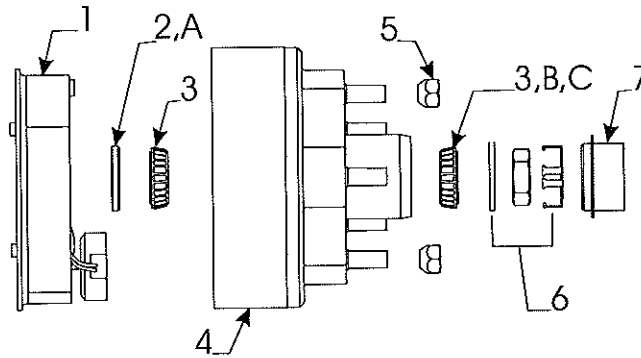
1.50 FLAT RATE
Lower Crank Assy. (complete) 4759-6311

* 1.50 Flat Rate All Parts Combined

Flat Rate	Code	Part #	Description	Flat Rate	Code	Part #	Description
	1	4756-8321	bearing housing plate	*	11	4751-3721	housing cover plate
1.50	2	4756-8301	coupler bushing		12	1203-8641	rivet m25
1.50	3	4720C2421	thrust bearing	.75	12	4716A1741	drive hub ext. pkg.
*	4	4750A9251	bearing housing		13	Note: pkg. includes parts marked w/* asterisk	
		4738A0898	hex bolt x4			*4751-3551	5/8" nut (Fine Thread)
*	5	4751A3701	drive shaft & nut			*4751B3551	5/8" nut (Coarse Thread)
*	6	4751-3561	pressure plate	.50	14	*4752-3921	handle spring x1 m2
*	7	4751-4831	ratchet wheel	.50	15	*4751-4671	nylon washer x1
*	8	4751-3581	pressure washer	.10	16	*4747A9451	spiral roll pin x1 m6
*	9	4751A3591	shaft bushing	.60	17	4716-1221	ratchet pawl pkg.
*	10	4751B3691	crank housing	1.00	18	4744A1301	shear pin x1 m10
		4731-3878	hex head bolt x4	1.50	19	4756A8311	spacer bushing
		1201B6038	lock nut x4		20	4750A9261	plate "painted"
				1.50	21	4756-8441	bearing house square spacer
					22	4757-3938	washer x2



Flat Rate .10 Jack Removal			
Flat Rate	Code	Part #	Description
.15	1	4716-1951	jack handle kit
.15	2	4716-1981	locking plunger kit
.10	3	4720A3341	snap ring
.25	4	4716-1971	jack wheel nut & bolt

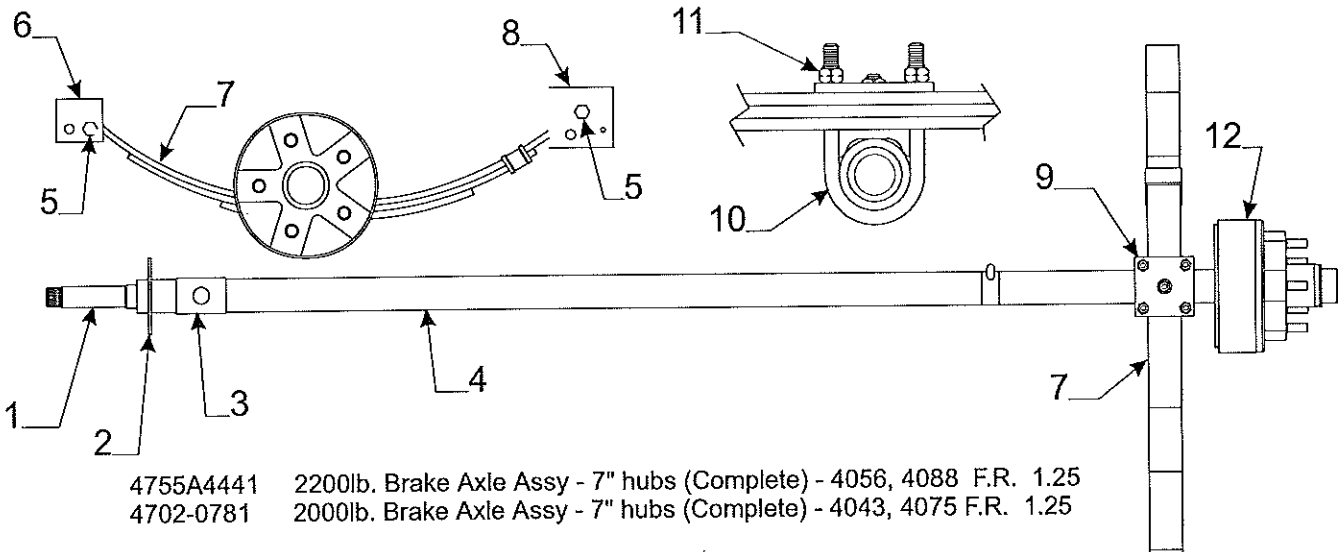


Flat Rate .50 Per Side
Electric Brake Pkg. 7" x 1 1/4" (4714H2011)

Flat Rate	Code	Part #	Description
.50	1	4733A3521	7" brake assembly (right hand)
.50		4733A3531	7" brake assembly (left hand)
.50	2	4714A2201	7" grease seal x1 (2 per pack)
.50	3	4716-1101	7" bearing, race & seal pkg.
.30	4	4716A1071	7" hub & drum x2
.05	5	4747A9528	lug nuts x5
.10	6	4714A3061	retainer package
.05	7	4714C0621	EZ lube grease cap m4

Crossover Numbers To Purchase Locally

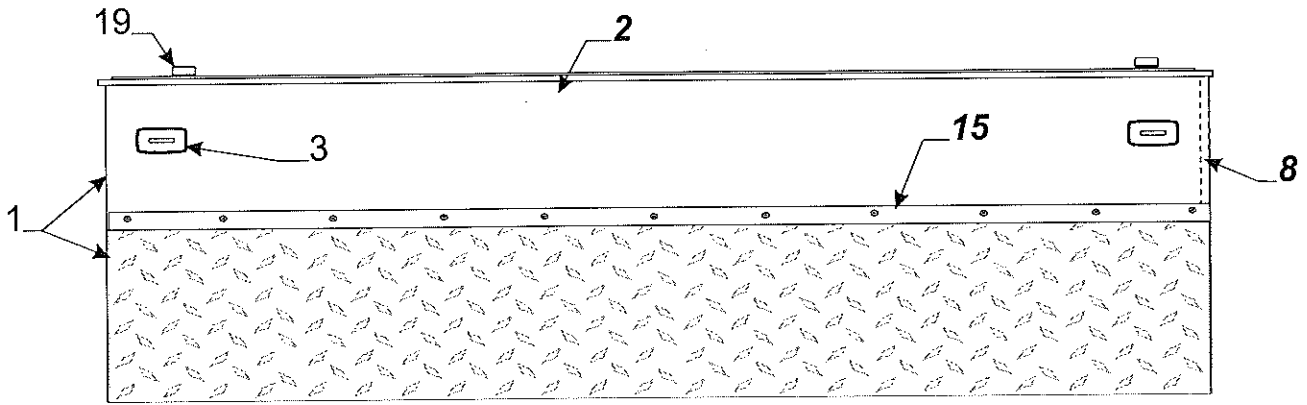
- A K71-301-00 Grease Seal (7" hub)
- B L44649 Bearing
- C L44610 Race



4755A4441 2200lb. Brake Axle Assy - 7" hubs (Complete) - 4056, 4088 F.R. 1.25
4702-0781 2000lb. Brake Axle Assy - 7" hubs (Complete) - 4043, 4075 F.R. 1.25

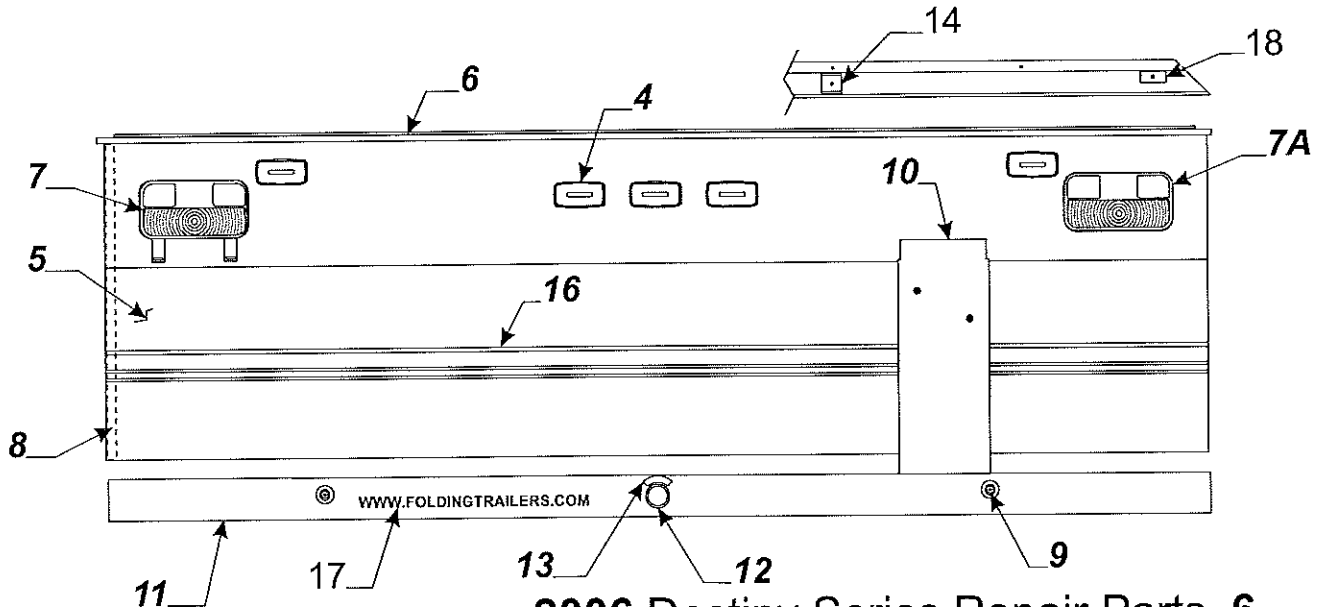
*** PRIOR AUTHORIZATION NEEDED FROM FACTORY**

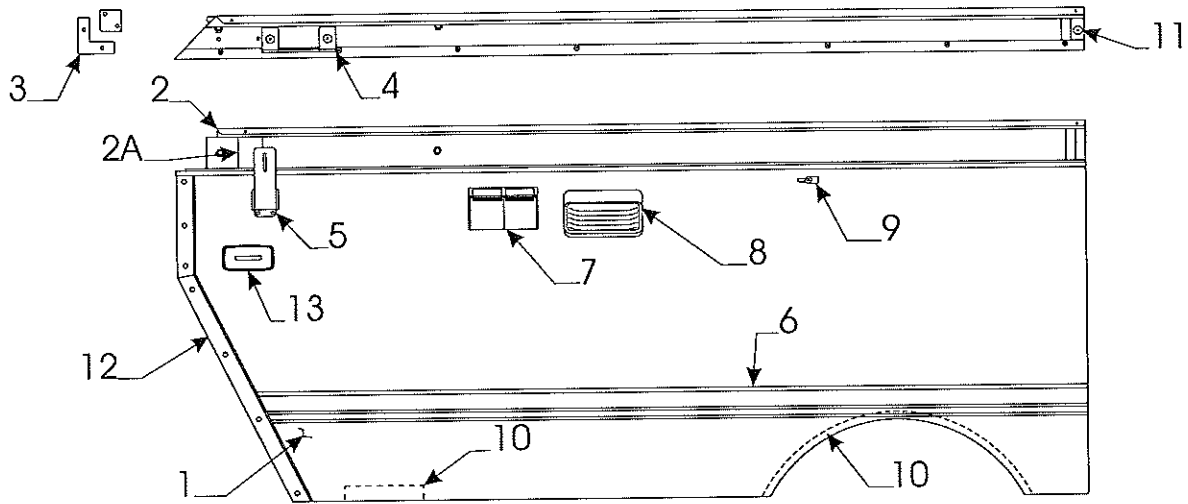
Flat Rate	Axle & Spring Components			Flat Rate	Axle & Spring Components		
Code	Part #	Description	Code	Part #	Description		
*	1	4741B8491	spindle	2.00	6	4741A3398	spring shackle (rear)
*	2	4741A8471	brake plate	.75	7	4735G2201	leaf spring (3 ply) 4088, 4056
*	3	4741-8461	spring pad channel m2	.75		4735D2201	leaf spring (2 ply) 4075, 4043
1.00	4	4716F6251	axle beam 4088, 4056	2.00	8	4741C3398	spring shackle (front)
1.00		4716A1571	axle beam 4043, 4075	.50	9	4741-8458	u-bolt plate
.25	5	4737A1318	shackle bolt	.25	10	4741A8438	u-bolt
		4741-9498	shackle bolt nut	11		4741-9358	u-bolt nut
				12			Note: refer above for hub & components



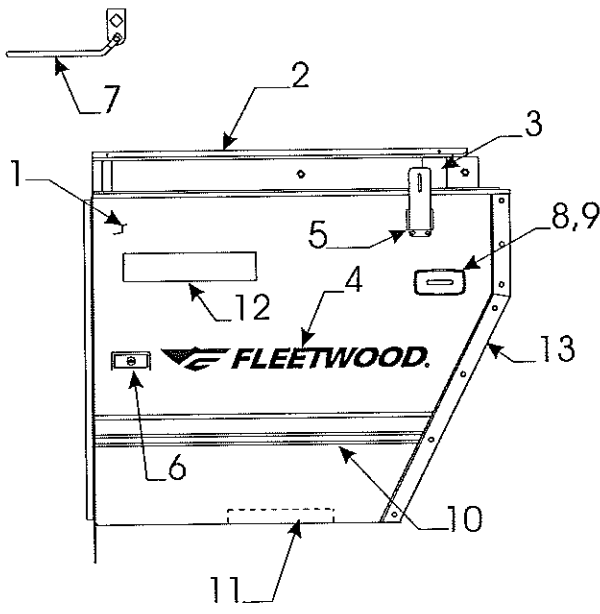
* 1.50 Flat Rate Front Panel/2.50 Rear Panel

Front & Rear Body Panel Components				Flat Rate	Code	Part #	Description
Flat Rate	Code	Part #	Description	.20	7A	4749B4321	taillight (used x2 on Taos)
*	1	4716A2061	2 pc. frt. body pnl. 4056, 4088	.10		4716A1051	taillight lens
.65		4759B9091	2 pc. frt. body pnl. 4043 Tucson			4747-2558	expansion rivet m25
.65		4747F4531	frt. body pnl. "plastic" 4075 Taos	.10	8	4060000023P	d-seal pkg. (5' pc.)
.75	2	4759B1951	frt./rr end rail 4056, 4088	.25	9	1032B24248	bolt x2
.75		4759A4931	frt. end rail 4043 Tucson			1202B0468	washer x6 m10
.75		4747B0801	frt. end rail 4075 Taos			1202B1068	washer x2
		1203-8651	rivet x5 m25			1201B6068	nut x2
.15	3	4714J08481	amber marker light	.05	10	4769-5241	spare tire mount 4088, 56
.10		4716A4571	amber lens (lens only)	.05		4769-6521	spare tire mount 4043
.25		4733H1311	socket & harness	1.00		4747-5101	spare tire mount 4075
		4747-2558	expansion rivet m25	.30	11	4759-2261	bumper 4088, 4056
.15	4	4714J08581	red marker light	.30		4767A0421	bumper 4043 Tucson
.10		4716A4561	red lens (lens only)	.30		4751C0181	bumper 4075 Taos
*	5	4759A2071	rear body pnl. 4088, 4056	.10	12	4733-2741	2" snap bushing
.85		4759A9101	rear body pnl. 4043 Tucson	.10	13	4730H3188	"open" decal
*		4747H4641	rear body pnl. 4075 Taos	.15	14	4754B8921	nylon bed ramp & screw
		4741D96568	expansion rivet m25 "white"	.20	15	4767-3691	trim cap
.75	6	4759B1951	frt./rr end rail 4088, 4056	.30	16	4734C1861	rivet m25
.75		4759A4941	rear end rail 4043 Tucson	.30	16	4350002042P	trim tape pkg. 12' pc.
.75		4747C0791	rear end rail 4075 Taos	.10	17	4767-0888	www.com decal
.20	7	4765-3511	taillight w/license brkt's	.15	18	4754A8491	nylon bed rest & screw
.10		4716A1061	taillight lens	.25	19	4749A4731	bed stop angle 4043, 75
		4747-2558	expansion rivet m25	.15	20	4739B4311	tag light 4075 taos
				.05	21	4732-1181	plastic grommet m4

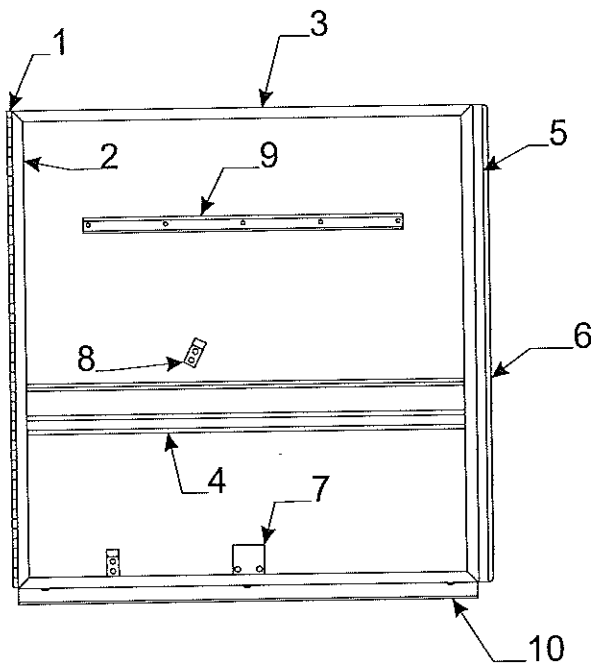




Flat Rate	Code	Part #	Description	Flat Rate	Code	Part #	Description
1.00	1	4759F2051	csr body panel 4056 Yuma	.50	6	4716P8251	trim tape kit 4088, 56, 43
1.00		4759B3261	csr body panel 4088 Sea Pine			4350002003P	trim tape 4075 Taos only
1.00		4759C9131	csr body panel 4043 Tucson	.25	7	4746A3861	duplex cover & outlet
1.00		4716B9751	csr body panel 4075 Taos	.35		4746-3871	duplex box
1.00	2	4759A2021	csr body rail 4056 Yuma			1203-8678	rivet m25
1.00		4759A3301	csr body rail 4088 Sea Pine	.25	8	4752-9921	porch light
1.00		4749E9761	csr body rail 4043 Tucson	.10		4716-5511	porch light lens "amber"
1.00		4749D9761	csr body rail 4075 Taos	.15	9	4738-3941	turn button & rivet
.10	2A	4716-2771	vel-stick body rail pkg.		10	4060050008P	foam tape pkg. (12' pc.)
.15	3	4716-7061	miter cover pkg. m4		11	1203-8831	rivet m25
.25	4	4734C4121	lift trim pkg. m4	.30	12	4767-0121	csr corner trim 4088, 56, 43
		4733-3398	nylon flange bushing x2			4745-3968	screw "white" x7
.15	5	4741C6041	top latch w/out lock tab	.15	13	4714J08581	red marker light
		4749-4848	foam pad	.10		4716A4561	red lens (lens only)

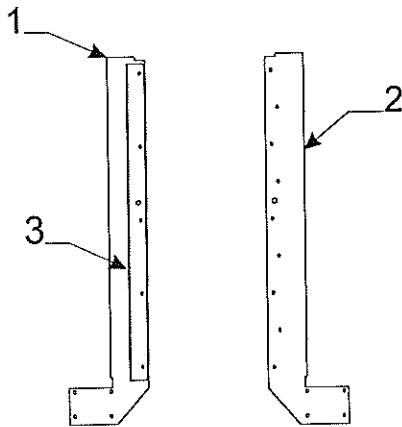


Flat Rate	Code	Part #	Description
.85	1	4759B2041	csf body panel 4056 Yuma
.85		4767A2071	csf body panel 4088 Sea Pine
.85		4759C912A1	csf body panel 4043 Tucson
.85		4716C0441	csf body panel 4075 Taos
1.00	2	4759A2011	csf body rail 4056 Yuma
1.00		4759A3291	csf body rail 4088 Sea Pine
1.00		4747D0561	csf body rail 4043 Tucson
1.00		4747C0561	csf body rail 4075 Taos
.10	3	4716-2771	vel-stick body rail pkg.
.25	4	4761-1958	fleetwood decal
.15	5	4741C6041	top latch w/out lock tab
1.00	6	4730C3111	lock handle (with key)
1.00	7	4754-1691	latch, strike & lever
.15	8	4714J08481	amber marker light
.10	9	4716A4571	amber lens (lens only)
.50	10	4716P8251	trim tape kit 4088, 4056, 4043
		4350002003P	trim tape 4075 Taos only
	11	4060050008P	foam tape pkg. (12' pc.)
.25	12	4759B2138	Yuma name decal 4056
.25		4767A2088	Sea Pine name decal 4088
.25		4759B9148	Tucson name decal 4043
.25		4749K3198	Taos name decal 4075
.30	13	4767-0131	csf corner trim 4088, 4056, 4043
		4745-3968	screw "white" x7



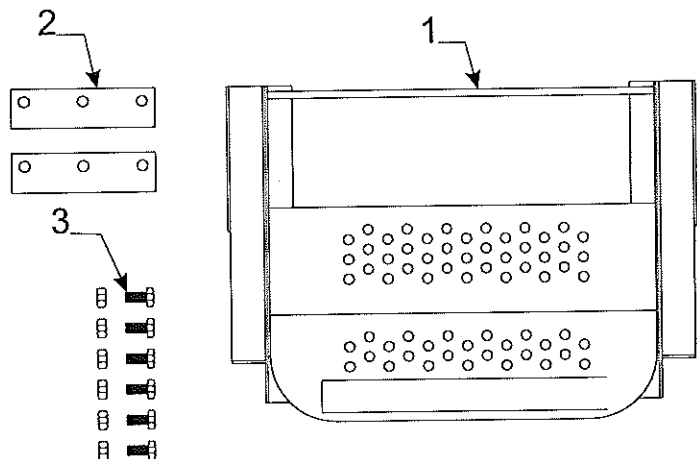
4754M5111 Access Door Assy. - 4088, 4043 F.R. .50
 4757-7111 Access Door Assy. - 4056 Yuma F.R. .50
 4749N6471 Access Door Assy. - 4075 Taos F.R. .50
 Note: Access Door less trim tape (must order separately)

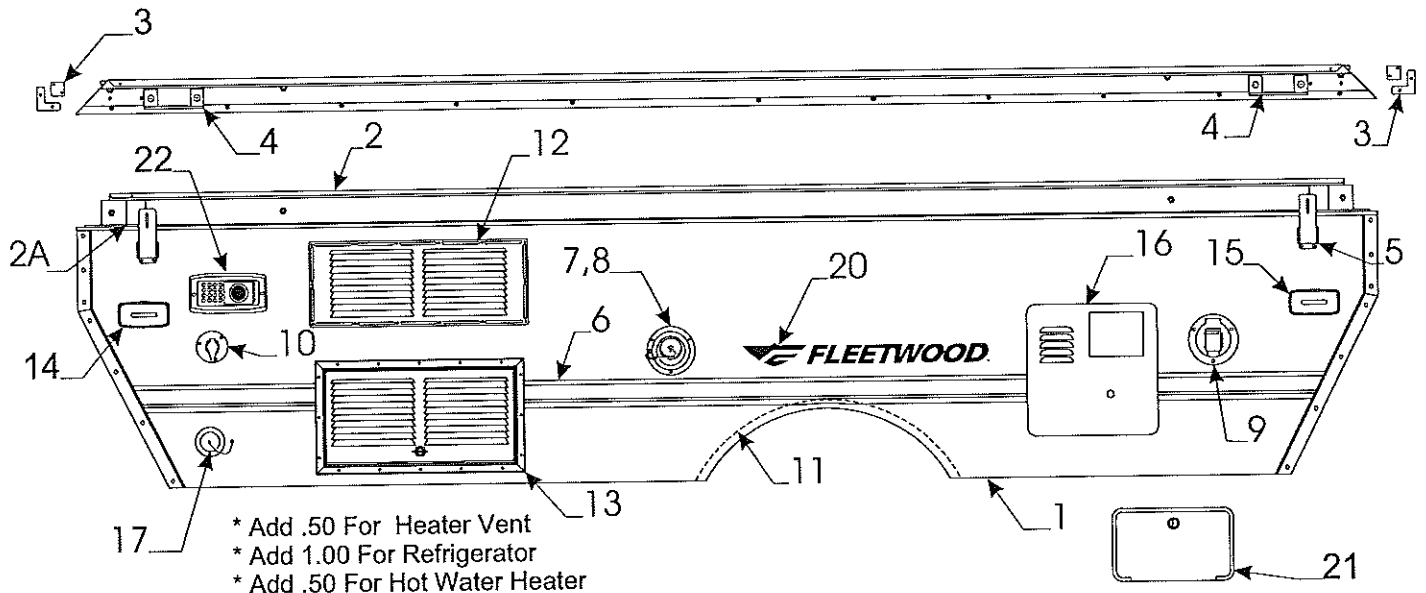
Flat Rate	Code	Part #	Description
.25	1	4754C0281	door hinge (all except Taos)
.25		4747B3621	door hinge 4075 Taos
.35	2	4754A0251	door frame 4088, 4043
.35		4767-8111	door frame 4056 Yuma
.35		4747A3591	door frame 4075 Taos
.25	3	4749C9821	door cap (all)
.25	4	4350002042P	trim tape pkg. (12' pc.) 4088,56,43
.25		4350002003P	trim tape pkg. (16' pc.) 4075 Taos
.20	5	4060000023P	d-seal pkg. (5' pc.)
.25	6	4754E0261	door frame (all except Taos)
.25		4747A3601	door frame 4075 Taos
.10	7	4749A9941	door bracket 4075 Taos
.10	8	4720A0721	cooler clip m2
		4745-3968	screw x2
.25	9	4767-4361	stove support brkt.
		4716-081	screw x2
.25	10	4747C3611	bottom trim (all)



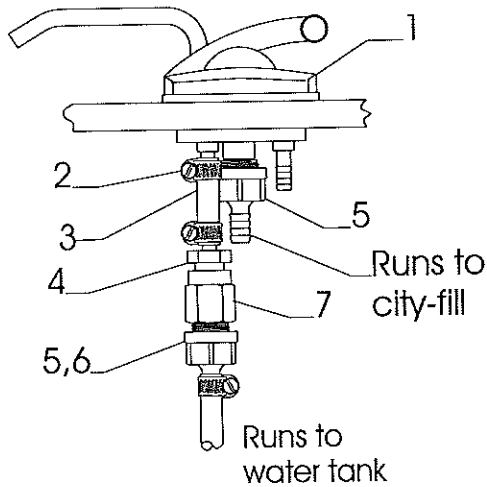
Flat Rate	Code	Part #	Description
1.25	1	4754A6201	csr bulkhead 4056, 4088, 4043
1.25		4747A0101	csr bulkhead 4075 Taos
1.25	2	4754A6191	csf bulkhead 4056, 4088, 4043
1.25		4747A0091	csf bulkhead 4075 Taos
.35	3	4754A2111	door seal angle 4056, 4088, 4043
.35	3	4749B3881	door seal angle 4075 Taos
		4733G0601	rivet m25 "black"

Flat Rate	Code	Part #	Description
.50	1	4747A9741	step
	2	4750-3361	step shim x2
	3	1200B3048	bolt x6
		1201B6068	nut x6

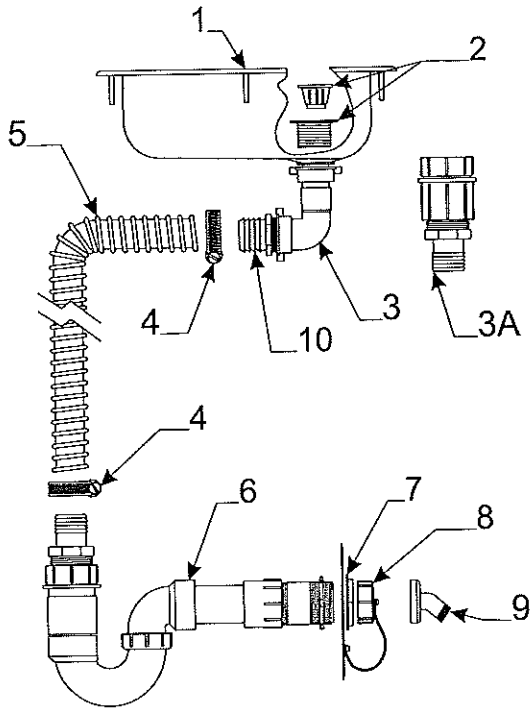




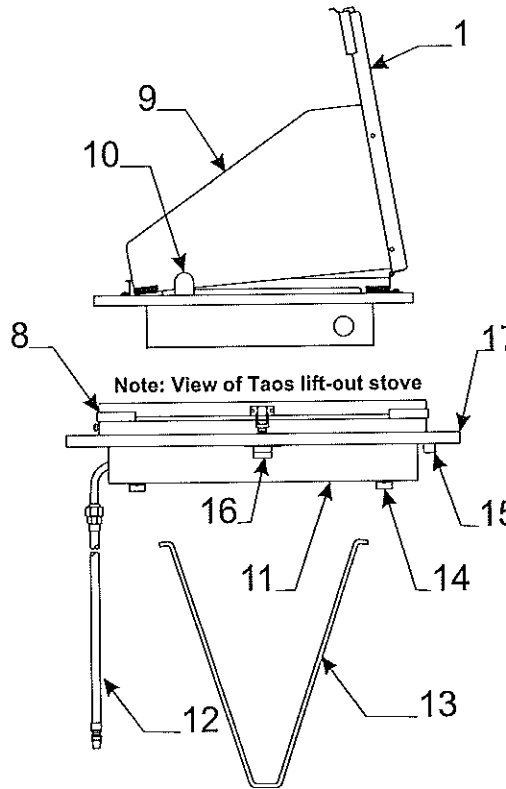
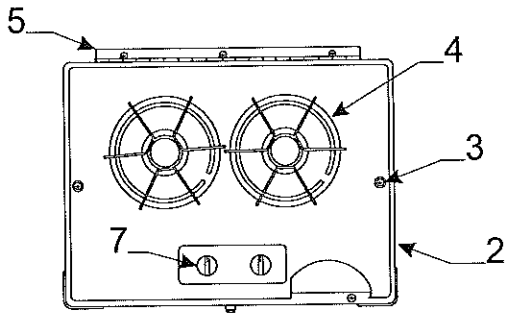
Roadside Left Body Panel & Components			
Flat Rate	Code	Part #	Description
*1.00	1	4759E2031	left side body pnl. 4056 Yuma
*2.00		4767-1851	left side body pnl. 4088 Sea Pine
*1.00		4759C9111	left side body pnl. 4043 Tucson
*1.00		4716B98071	left side body pnl. 4075 Taos
3.00	2	4759A2001	left side body rail 4056 Yuma
3.00		4759B3281	left side body rail 4088 Sea Pine
3.00		4747D0581	left side body rail 4043 Tucson
3.00		4747C0581	left side body rail 4075 Taos
.10	2A	4716-2771	vel-stick body rail pkg.
		4757-0731	wire grommet & nut
.15	3	4716-7061	inner/outer miter cover pkg. m4
.25	4	4734C4121	lift trim, rivets & gasket pkg. m4
.15	5	4741C6041	top latch w/lock tab
		4749-4848	foam pad
.50	6	4716P8261	trim tape & hardware kit 4088, 4056, 4043
		4350002003P	trim tape pkg. (16' pc.) 4075 Taos
.30	7	4731D1711	water tank spout
	8	4741-3508	hex head tek screw x3
.15	9	4733B23361	cable hatch
.30	10	4732F1521	city fill
	11	4060050008P	1/2" x 1" foam tape pkg. (12' pc.)
.50	12	4747D8321	refrigerator vent "upper"
		4745-3968	painted screw arctic wht. x4 per vent
.50	13	4747D8331	refrigerator vent hinged "lower"
.15	14	4714J08481	amber marker light x4
.10		4716A4571	amber lens (lens only)
.25		4733H1311	socket & harness
		4747-2558	expansion rivet m25
.15	15	4714J08581	red marker light
.10		4716A4561	red lens (lens only)
.25	16	4716-1331	water heater door
.10	17	4714A2861	drain cap & strap
.30	18	4767-0121	rsf corner trim 4088, 4056, 4043
.30	19	4767-0131	rsr corner trim 4088, 4056, 4043
.25	20	4761-1958	fleetwood decal
.25	21	4750C5861	o/s shower complete
		4716-7511	key Ch751 m2
.15		4750A2961	lock assy. w/key
.25	22	4741B9471	8" furnace vent



Hand pump & related parts			
Flat Rate	Code	Part #	Description
.40	1	4767-3301	hand pump
		4716-081	screw x4
	2	4731-3058	adjustable hose clamp
.35	3	4714-038	3/8" h.p. Hose (sold/foot)
.20	4	4732-4561	male adapter
.20	5	4741A9561	barbed adapter
.20	6	1202-5828	rubber washer
.20		4754-4418	round filter screen
.20	7	4741-9551	check valve "brass"



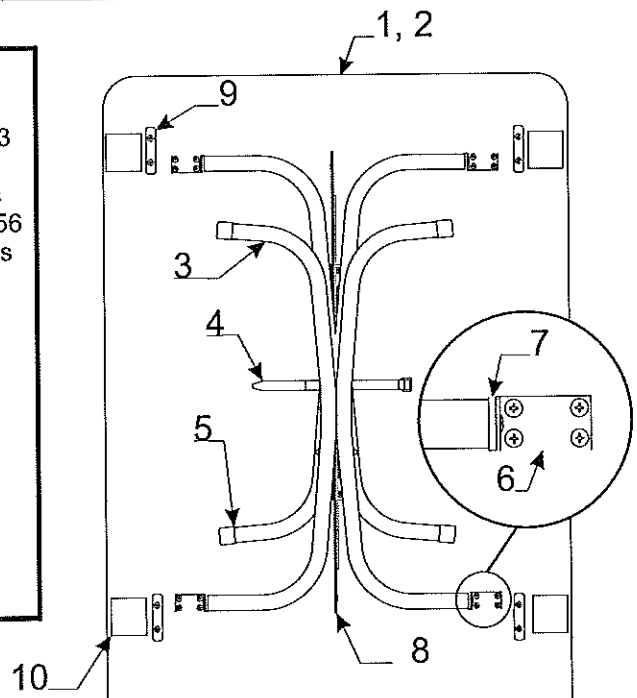
Sink & Component parts			
Flat Rate	Code	Part #	Description
.30	1	4710F0301	sink "stainless"
.05	2	4714C0661	crumb cup "only"
.25		4730E3151	crumb cup & basket
.40	3	4757-0861	elbow pkg.
.40	3A	4713-0061	straight sink adapter pkg.
		4757-9131	1 1/4" rubber washer
	4	4715-4501	1 1/4" hose clamp
.80	5	4060012503P	1 1/4" drain hose pkg. (10' pc.)
Note: must cut hose to length			
.75	6	4769-6941	drain trap assy. 4056, 4043
.75		4767B5811	drain trap assy. 4088 Sea Pine
.75		4758C5431	drain trap assy. 4075 Taos
	7	4757-0921	1 1/2" metal nut "white"
.10	8	4714A2861	cap & strap
	9	4737-9138	drain adapter
.40	10	4757A0871	adaptor 1 1/4" barb

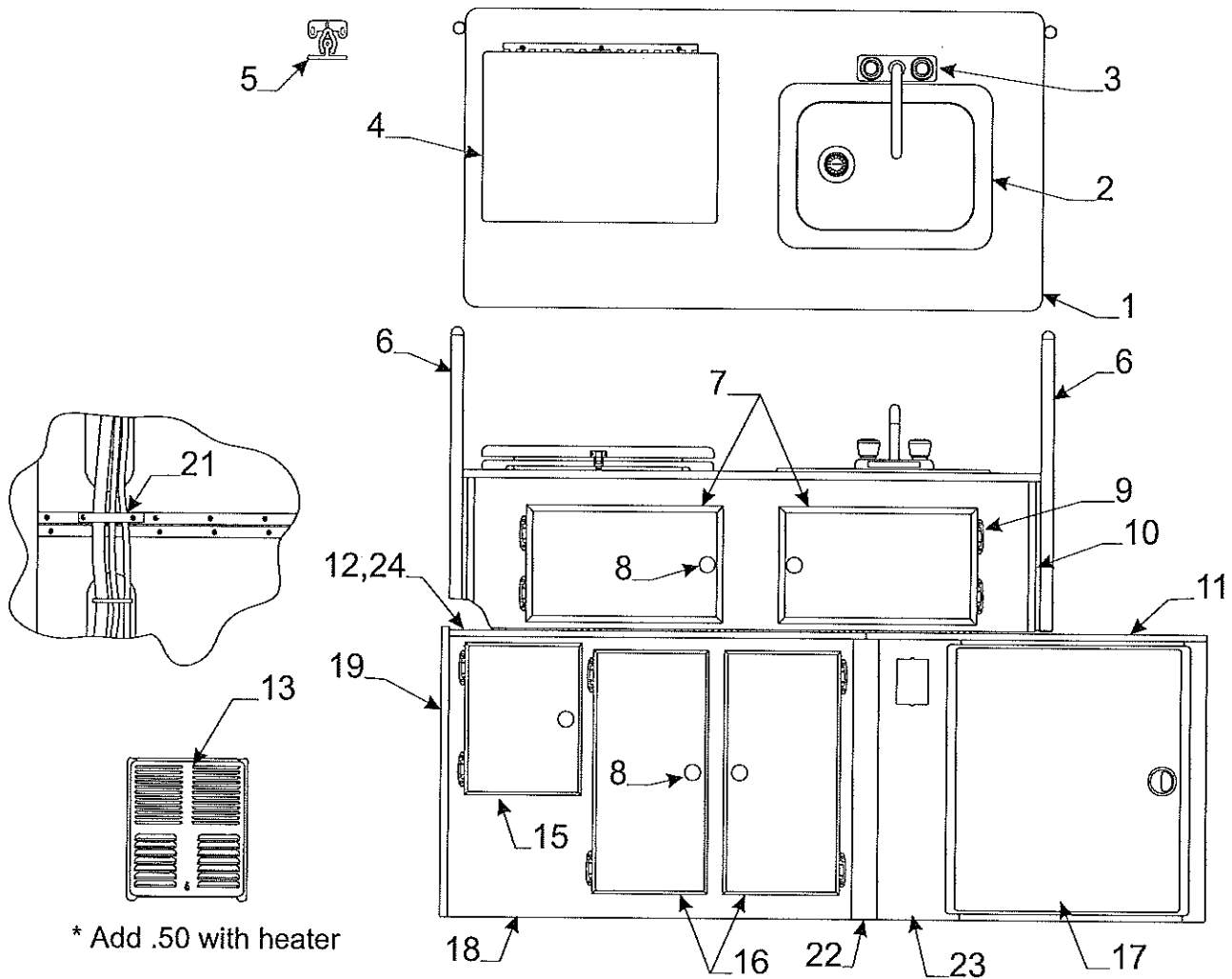


Note: View of Taos lift-out stove

Stove Component Parts (Upper Galley Assy.'s)			
Flat Rate	Code	Part #	Description
.15	1	4749F6601	stove cover assy.
.15	2	4746B9491	2 burner cook top "white"
.05	3	4716-2631	stove top screw/washer m2
.05	4	4752A9881	stove grate
.10	5	4716-2671	stove cover hinge
.15	6	4733-4018	stove cover latch
.15		4733-4028	stove cover strike
.05	7	4716A1861	knob
	8	4732A2291	edge molding m2
.25	9	4716-2661	stove fin "right"
.25		4716-2651	stove fin "left"
.15	10	4716-2641	stove fin stay brkt. m2
.75	11	4748D2581	2 burner stove box
.25	12	4716-7131	48" gas hose pkg. 4075 Taos
.05	13	4748-2731	support leg 4075 Taos
.20	14	4740A1891	leg brkt. w/rivets m2 4075 Taos
.05	15	4724-2608	stop button 4075 Taos
.15	16	4754A08861	latch strike 4075 Taos
.60	17	4754E0451	counter top 4075 Taos

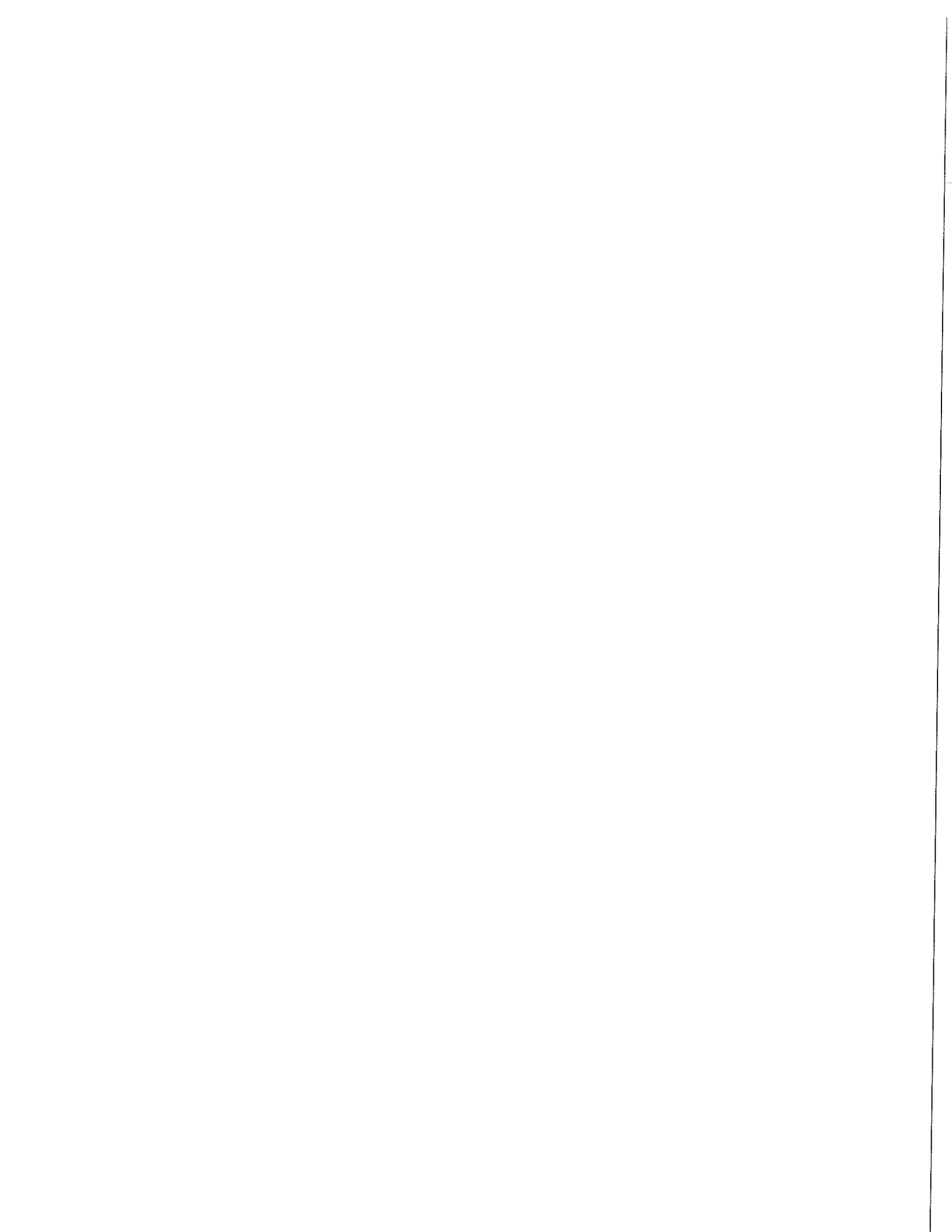
Dinette Table Assembly Components			
Flat Rate	Code	Part #	Description
.50	1	4756C8461	table top 30" x 39" 4088, 4043
.50		4759B3931	table top 41" x 27 1/4" 4056
.50		4756B8461	table top 30" x 39" 4075 Taos
.30	2	4060475002P	t-molding (14' pkg.) 4088,43,56
.30		4060475001P	t-molding (14' pkg.) 4075 Taos
.50	3	4745K5271	table leg package
Note: pkg. includes 2 legs & required mounting hardware			
.10	4	4751A9711	strap & screw pkg.
.10	5	4752-0551	white plastic cap m2
.15	6	4720F1211	table leg mounting brace m2
		1103E1018	5/8" wood screw
.15	7	4752A0561	table leg insert cap m2
.25	8	4744-6971	lock brace assy. x2
		1103E1018	5/8" wood screw
.15	9	4756-8741	table top plastic spacer m4
		1103B08148	7/8" screw (x2 per spacer)
.05	10	4724D2631	velcro fastener m4

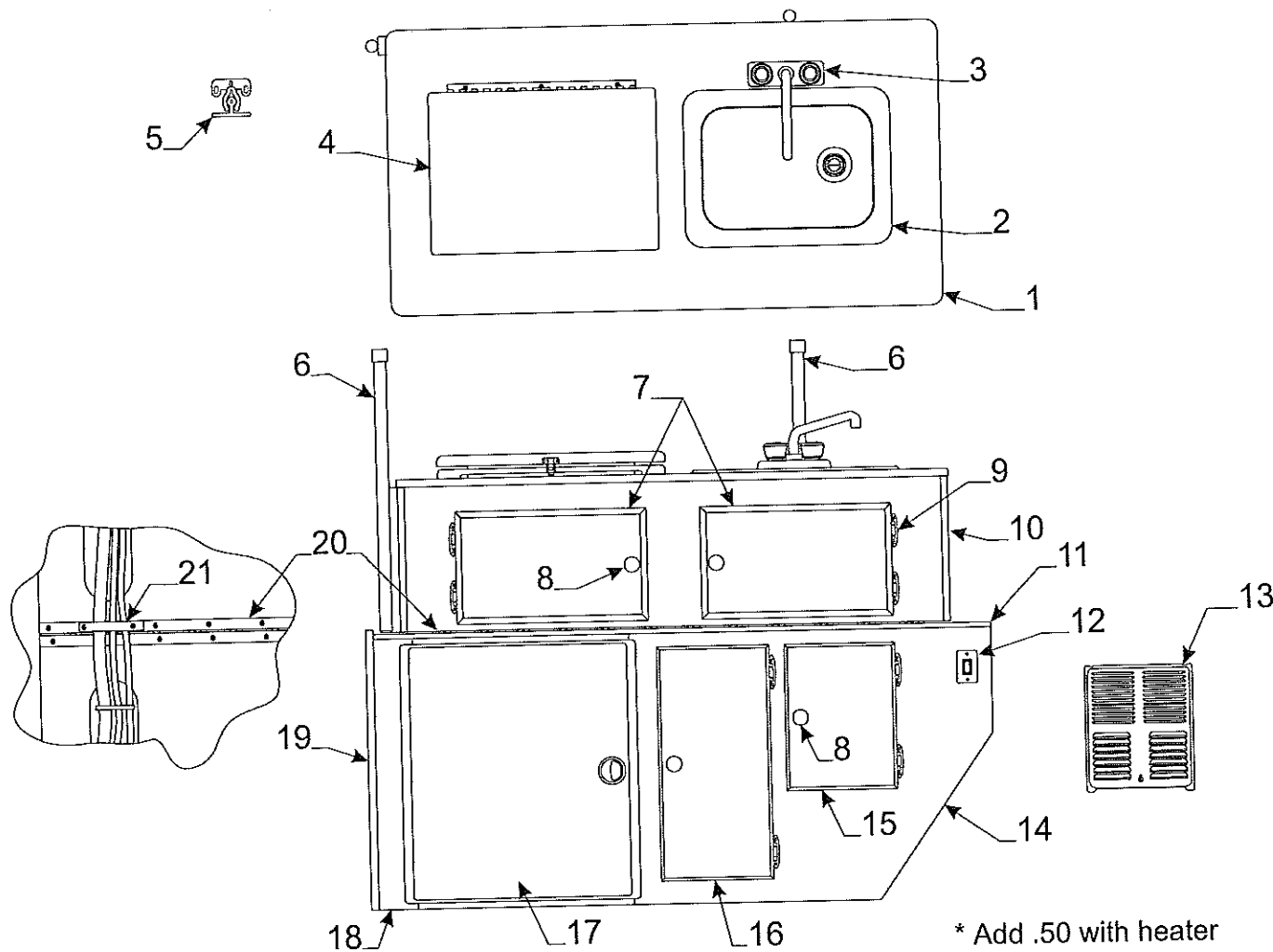




Upper & Lower Galley Assy. Components - 4088 Sea Pine

Flat Rate	Code	Part #	Description	Flat Rate	Code	Part #	Description
1.00	1	4759E3331	upper galley top	1.25	11	4767-1911	lower galley top (rt.)
.30		4060475002P	t-molding pkg. (14' pc.)	.20		4746C0971	kill switch m4
.30	2	4710F0301	sink	.20	12	4733C4981	rocker switch (elec. pump)
.40	3	4745E2741	mixer faucet	.10	13	4743-3551	furnace grill
		4758-8508	dual facet use decal	1.50	14	*4767A1921	lower galley frt. (rt.)
	4		Note: refer to page 11 for stove components	.15	15	4758B4041	door panel 12" x 9 1/8"
.15	5	4744A9261	knuckle latch m4	.15		4733-6391	latch & strike pkg.
		4738-3088	screw x2	.15	16	4759A3411	door panel 19 1/4" x 9 1/4"
.25	6	4757B2991	galley rest pole	.25	17	4754A0481	built-in cooler
		4752-0551	plastic cap m2	.75	18	4759A4301	lower galley frt. (lt.)
.15	7	4754C1481	door panel - 15 3/4" x 9 1/4"	.75	19	4759A4241	lower galley seat gazoodi
.15		4733-6391	latch & strike pkg.	.50	20	4757-2621	hinge
.10	8	4748C3951	door pull (includes screw)	.25	21	4716-9691	hose strap pkg.
.10	9	4762-4878	hinge	.25	22	4758-9131	lower galley molding
.65	10	4716F0151	3/8" f-channel 24" pc.	.75	23	4767-1901	lower galley frt.
				1.25	24	4767-1891	lower galley top (lt)

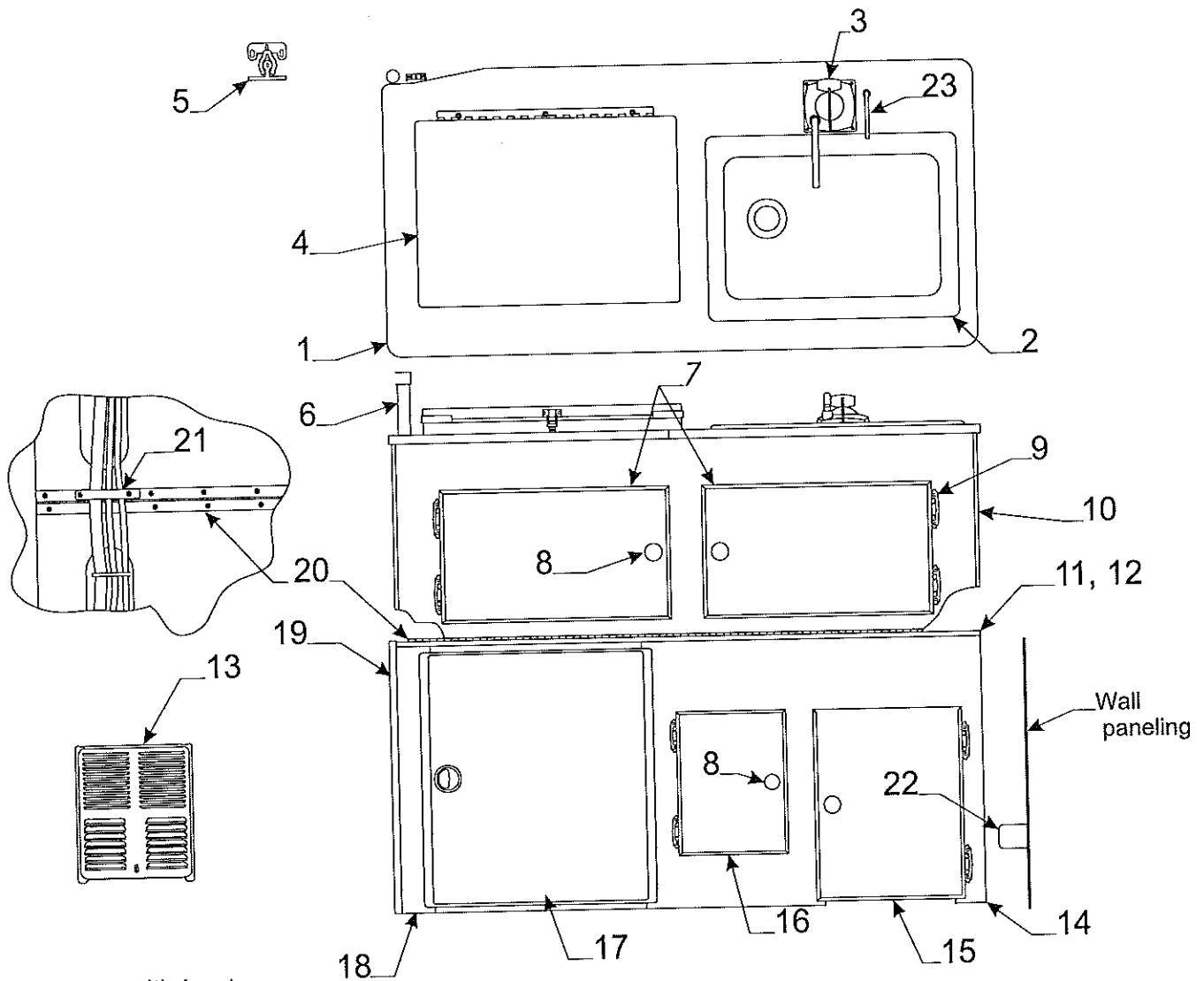




* Add .50 with heater

Upper & Lower Galley Assy. Components - 4056 Yuma

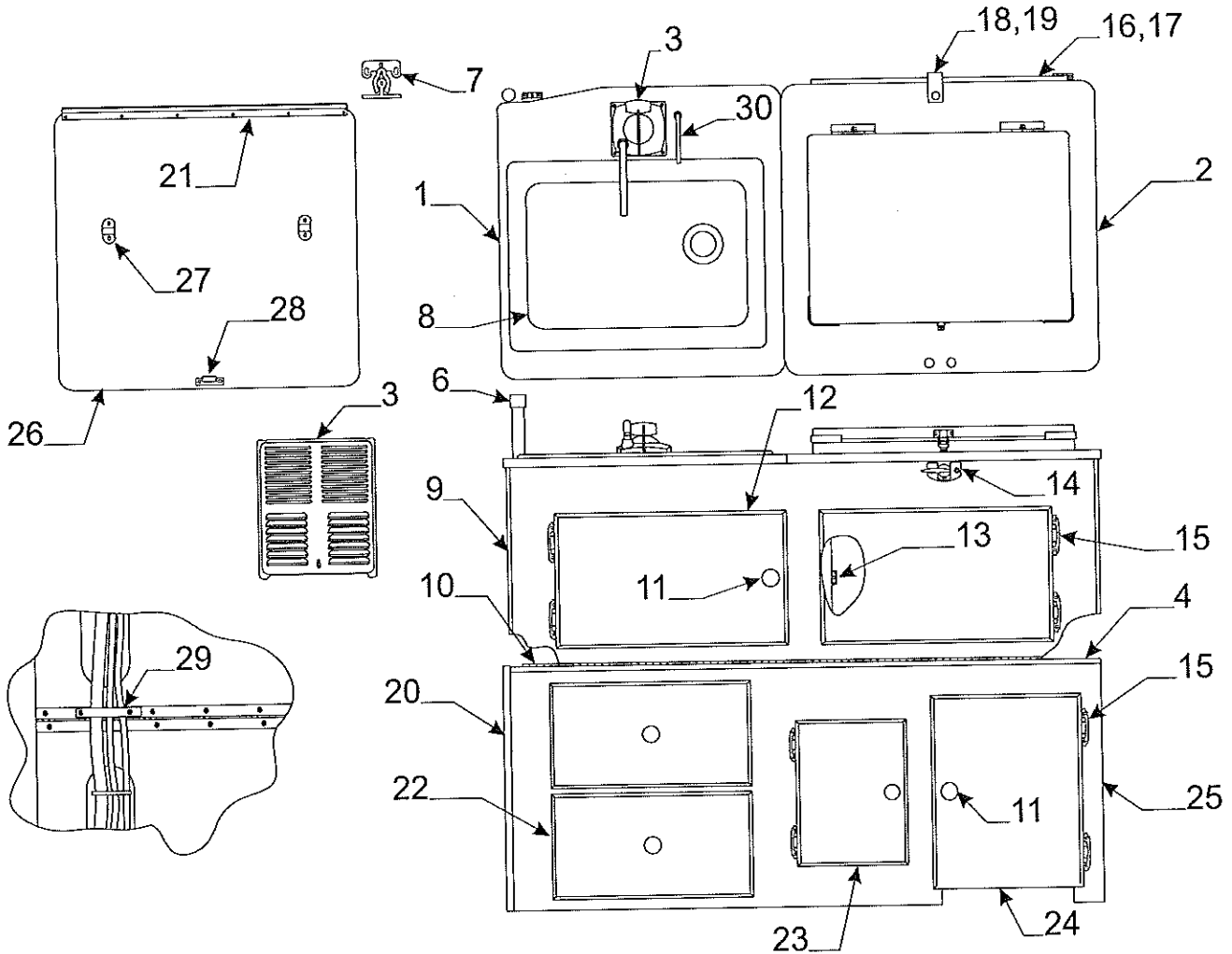
Flat Rate	Code	Part #	Description	Flat Rate	Code	Part #	Description
1.00	1	4759E3331	upper galley top	.65	10	4716F0151	3/8" f-channel 24" pc.
.30		4060475002P	t-molding pkg. (14' pc.)	1.25	11	4759D2611	lower galley top
.30	2	4710F0301	sink	.20		4746C0971	kill switch m4
		Note: refer to page 10 for sink components		.20	12	4733C4981	rocker switch (elec. pump)
.40	3	4745E2741	mixer faucet	.10	13	4743-3551	furnace grill
		4758-8508	dual facet use decal	1.50	14	*4759D2641	lower galley frt. (rt.)
	4	Note: refer to page 11 for stove components		.15	15	4758B4041	door panel 12" x 9 1/8"
.15	5	4744A9261	knuckle latch m4	.15		4733-6391	latch & strike pkg.
		4738-3088	screw x2	.15	16	4759A3411	door panel 19 1/4" x 9 1/4"
.25	6	4757B2991	galley rest pole	.25	17	4754A0481	built-in cooler
		4752-0551	plastic cap m2	.75	18	4759D4051	lower galley frt. (lt.)
.15	7	4754C1481	door panel - 15 3/4" x 9 1/4"	.75	19	4759B4111	lower galley seat gazoodi
.15		4733-6391	latch & strike pkg.	.50	20	4757-2621	hinge
.10	8	4748C3951	door pull (includes screw)		21	4716-9691	hose strap pkg.
.10	9	4762-4878	hinge				



* Add .50 with heater

Upper & Lower Galley Assy. Components - 4043 Tucson

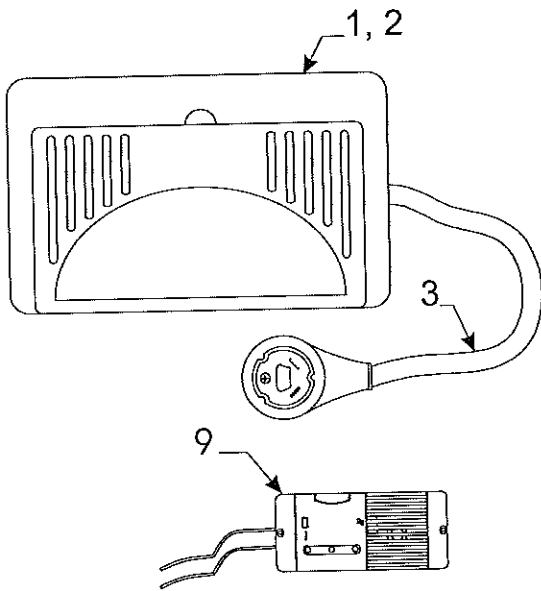
Flat Rate	Code	Part #	Description	Flat Rate	Code	Part #	Description
1.00	1	4759C9231	upper galley top	.65	10	4716F0151	3/8" f-channel 24" pc.
.30		4060475002P	t-molding pkg. (14' pc.)	1.25	11	4759B9271	lower galley top
.30	2	4710F0301	sink	.20		4746C0971	kill switch m4
		Note: refer to page 10 for sink components		.20	12	4733C4981	rocker switch (elec. pump)
.40	3	4767-3301	hand pump	.10	13	4743-3551	furnace grill
		4716-081	screw x4	1.50	14	*4759A9291	lower galley frt. (rt.)
		Note: refer to page 10 for pump components		.15	15	4759A9311	door panel 10 1/4" x 14"
	4	Note: refer to page 11 for stove components		.15		4733-6391	latch & strike pkg.
.15	5	4744A9261	knuckle latch m4	.15	16	4758B4041	door panel 12" x 9 1/8"
		4738-3088	screw x2	.25	17	4754A0481	built-in cooler
.25	6	4759A9201	galley rest pole	.75	18	4759A9301	lower galley frt. (lt.)
		4752-0551	plastic cap m2	.75	19	4759B9281	lower galley seat gazoodi
.15	7	4767A0451	door panel - 16 3/4" x 9 1/4"	.50	20	4747A9671	hinge
.15		4733-6391	latch & strike pkg.	.25	21	4716-9691	hose strap pkg.
.10	8	4748C3951	door pull (includes screw)	.25	22	4754B0901	galley rest (plastic)
.10	9	4762-4878	hinge	.10	23	4746A5421	pump hold down pkg.



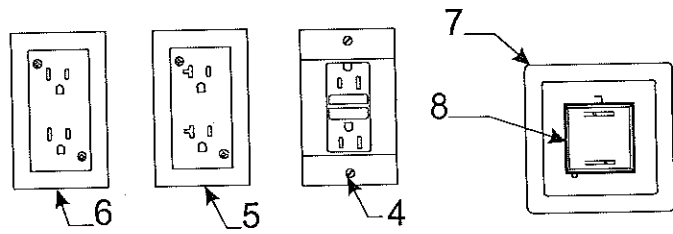
* Add .50 with heater

Flat Rate	Upper & Lower Assy. Code	Components - 4075 Taos Part #	Description	Flat Rate	Code	Part #	Description
1.00	1	4757B8061	upper galley top	.20	14	4754-0501	latch
.30		4060475001P	t-molding pkg. (14' pc.)	.10	15	4739B0518	hinge
	2	Note: refer to page 11 for this item					
.10	3	4743-3551	furnace grill	.25	16	4745C26188	hinge (spring loaded)
1.25	4	*4747J4371	lower galley top	.35	17	4750A8481	stove support
		4716-9691	hose strap pkg.	.15	18	4754-0461	stove support brkt.
.20		4746C0971	kill switch m4	.05	19	4723B5061	safety strap
.40	5	4767-3301	hand pump	.35	20	4730A3548	stud w/screw
		4716-081	screw x4	.30		4749J9891	seat end
		Note: refer to page 10 for pump components					
.25	6	4758-8201	galley pole	.15	21	4060400091P	t-molding (12' pc. Pkg)
		4752-0551	plastic cap m2	.15	22	4754-0471	hanger bracket
.15	7	4744A9261	knuckle latch m4			4758F5691	drawer assy. x2
		4738-3088	screw x2			4757A1261	drawer frt. 14 3/4" x 7 1/2"
.30	8	4710F0301	sink	.15		4716-8861	drawer guide pkg. 20"
		Note: refer to page 10 for sink components					
.65	9	4716D0151	3/8" f-channel 24" pc.	.15	23	4757B4041	door panel 12" x 9 1/8"
.50	10	4757-2621	hinge	.15	24	4754B1461	door panel 14" x 10 3/4"
.10	11	4748A3951	door pull (includes screw)	1.50	25	*4749L9901	galley front
.15	12	4754B1481	dr. pnl x2 - 9 1/4" x 15 3/4"	.10	26	4754D5391	cutting board assy.
.15	13	4733-6391	latch & strike pkg.	.10	27	4740A1891	support leg brkt. m2
				.10	28	4754A08861	latch strike
				.10	29	4716-9691	hose strap pkg.
				.10	30	4746A5421	pump hold down pkg.

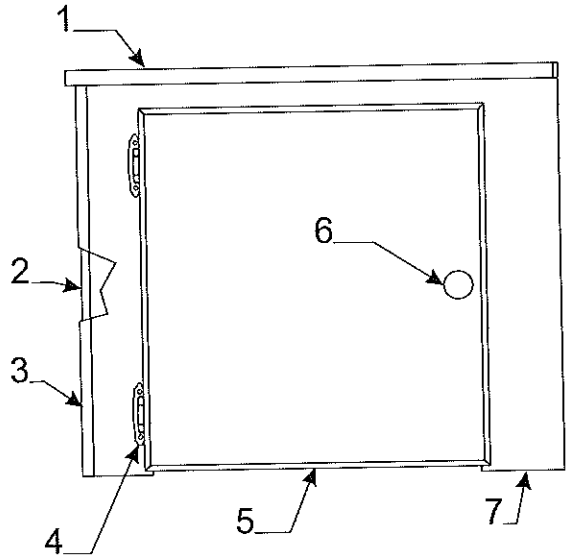
WORLD FRIENDSHIP CO., LTD
 Warranty: 800-900-2468

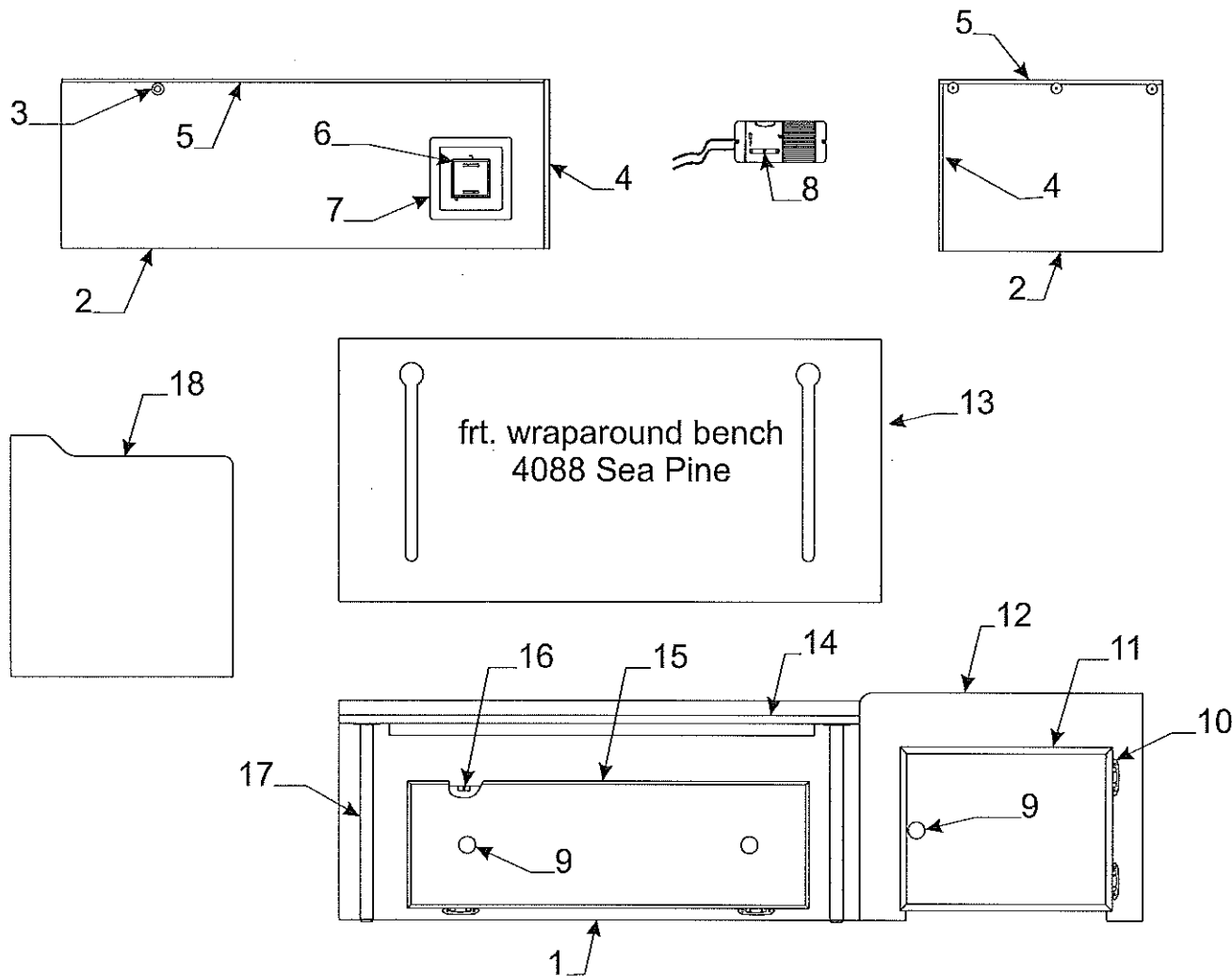


Flat Rate	Code	Part #	Description
1.00	1	4753E8201	converter 25 amp WFCO
.15	2	4716D1301	converter face cover w/door (plastic)
.60	3	4744A3101	power cord 31 ft.
.35	4	4746B3841	15 amp GFI receptacle w/cover (wht.)
.35		4755-8321	20 amp GFI receptacle w/cover (wht.)
.20	5	4752-2371	20 amp receptacle w/cover (wht.)
.20	6	4752-2361	15 amp receptacle w/cover (wht.)
		4746A3851	receptacle box
	7	4752A8461	thermostat
.20	8	4747-8391	plastic base & bracket
.25	9	4753C9171	lp gas detector



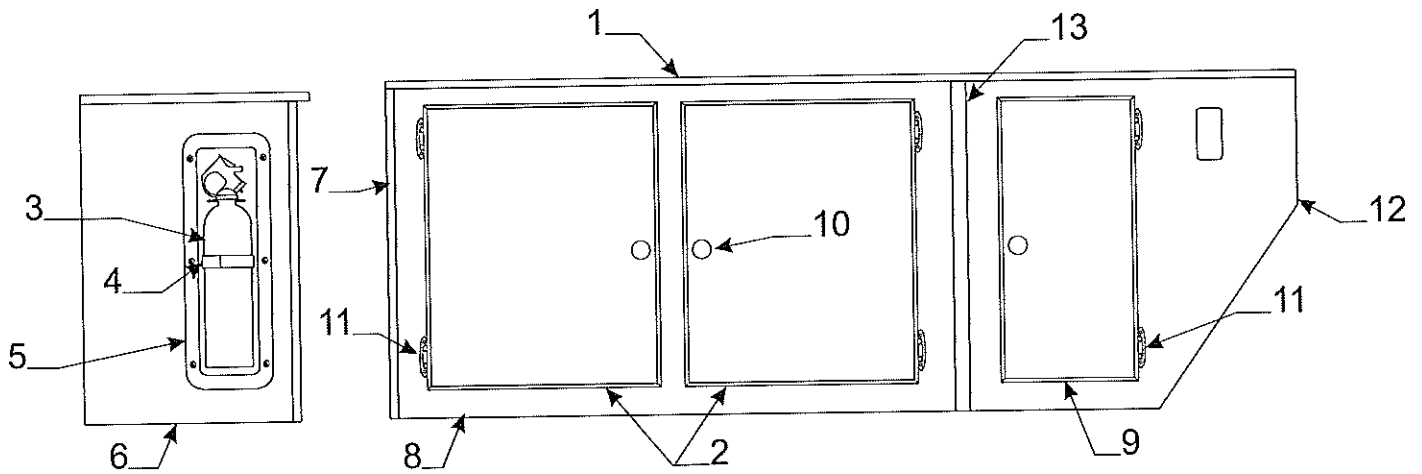
Flat Rate	Code	Part #	Description
.25	1	4759B2531	cabinet top 4056
.25		4759A9731	cabinet top 4043
.25		4747E3321	cabinet top 4075
.30		4060462508P	t-molding 12' pkg. 4056, 4043
.30		4060462506P	t-molding 10' pkg. 4075 Taos
.30	2	4759E254	cabinet side 4056
.30		4759B925	cabinet side 4043
.30		4747F335	cabinet side 4075
.35	3	4716F0151	3/8" f-channel 24" pc.
.10	4	4762-4878	hinge
.15	5	4759A9221	dr. pnl. 15 1/4" x 18" 4056, 4043
.15		4754B0711	dr. pnl. 15 1/4" x 16 1/8" Taos
.15		4733-6391	latch & strike pkg.
.10	6	4748C3951	door pull (includes screw)
.50	7	4759B926	cabinet front 4056, 4043
.50		4747F328	cabinet front 4075





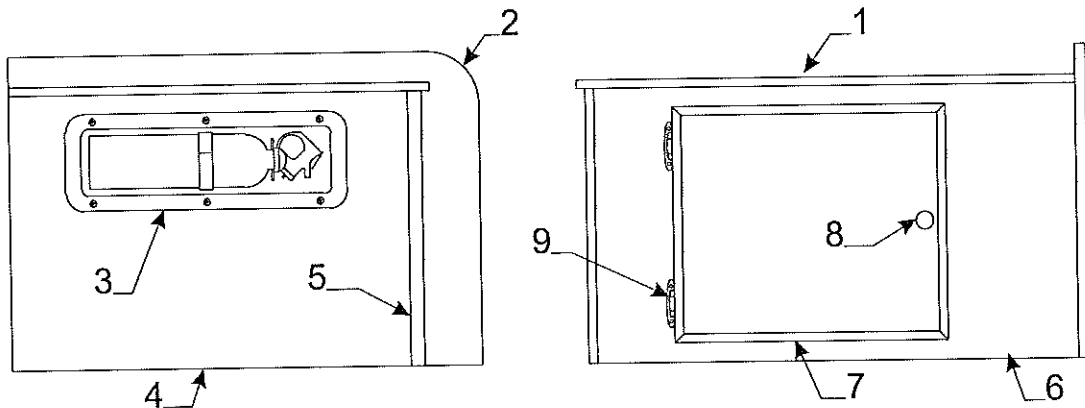
* Warranted Through Vendor

Flat Rate	Code	Part #	Description
1.00	1	4767A194	bench front 4088
.50	2	4714-6951	universal panel 48" x 48" (all except Taos)
.50		4754E1361	universal panel 48" x 23 13/16" - Taos
.05	3	4724-2608	stop button
		1103B1012	#10 - 3/4" screw
.35	4	4716B1421	5/32" f-channel 24" pc.
.50	5	4060015603P	5/32" u-channel 48" pc.
*	6	4752A8461	thermostat
.20	7	4747-8391	plastic base & bracket
.25	8	4753C9171	lp gas detector
.10	9	4748C3951	door pull w/screw
.10	10	4762-4878	hinge
.15	11	4767-2011	door pnl. 16" x 12 1/4" - 4088
.30	12	4767-2041	seat end curbside bench - 4088
.40	13	4767-195	bench wood w/slots - 4088
	14	4754-7581	pull-out platform - 4088
.15	15	4767-2001	door pnl. 30 1/4" x 9 1/4"
.15	16	4766-0371	roller latch
.25	17	4767A1931	platform leg 4088
.05		4752-0551	plastic end cap m2
.30	18	4759C9161	seat end curbside bench - 4043
.30		4759B9281	seat end roadside bench - 4043
.30		4749G9881	seat end curbside bench - 4075
.30		4749J9891	seat end roadside bench - 4075
.30		4060400091P	t-molding 5/8" lipped (12' pc. pkg.)



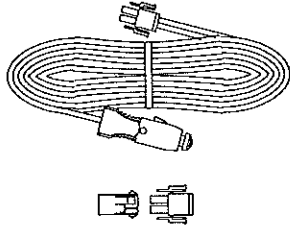
Curbside Hutch Assy. 4056 Yuma

Flat Rate	Code	Part #	Description	Flat Rate	Code	Part #	Description
.75	1	4759C3941	hutch top	.65	7	4716F0151	3/8" f-channel 24" pc.
.30		4060462508P	t-molding pkg. (14' pc.)	.50	8	4759B3961	hutch front "lt."
.15	2	4759A2631	door pnl. 19 1/4" x 15 3/4"	.15	9	4759A3411	door panel 19 1/4" x 9 1/4"
.10	3	4737A5558	fire extinguisher	.10	10	4748C3951	door pull w/screw
.05	4	4716-1191	fire extinguisher strap m2	.10	11	4762-4878	hinge
.15	5	4737B4198	recessed mount	1.00	12	4759C3971	hutch front "rt."
		4738-3088	screw x6	.50	13	4757-812	3/8" h-channel connector
.55	6	4759A3951	hutch side				

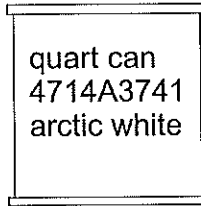
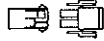


Flat Rate	Code	Part #	Description	Flat Rate	Code	Part #	Description
.75	1	4759A4221	cabinet top	.65	5	4716F0151	3/8" f-channel 24" pc.
.30		4060462508P	t-molding pkg. (14' pc.)	.50	6	4759A4211	cabinet front
.35	2	4759C4251	gazoodi	.15	7	4759A3421	dr. pnl. 15 3/4" x 13 1/2"
	3	Note: refer to above for fire extinguisher...		.10	8	4748C3951	door pull (includes screws)
.55	4	4759A4231	cabinet side	.10	9	4762-4878	hinge

4733D6701 auto extension



4716A4701 12 volt cap & plug m2



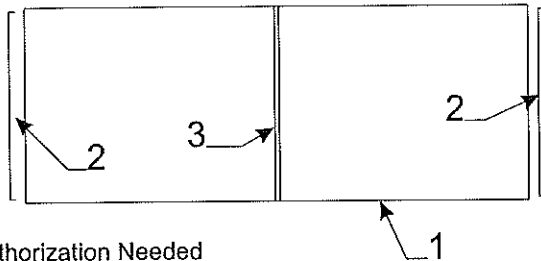
quart can
4714A3741
arctic white



16 oz. spray
0008-2561 arctic white
0008-2641 black "textured"
0008-2571 black
0008-2681 windsor birch

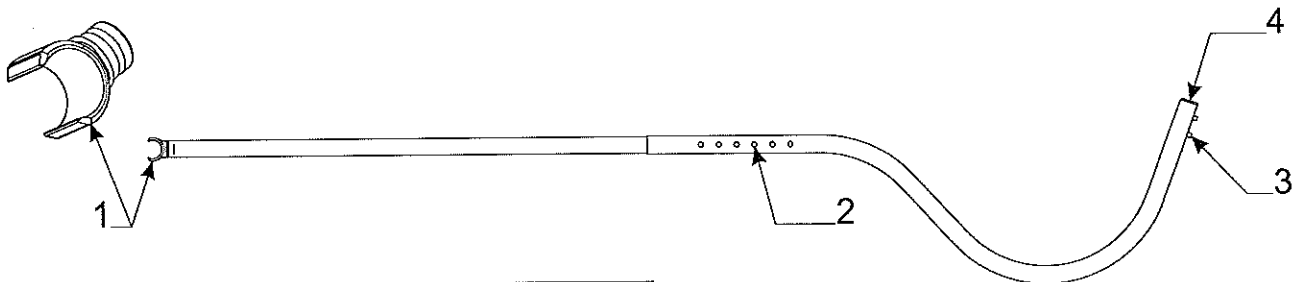


4745C3908
caulking
arctic white



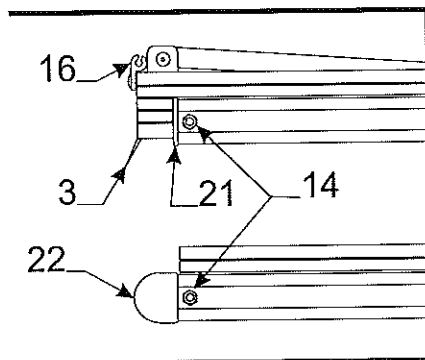
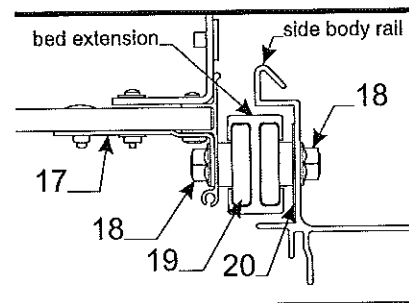
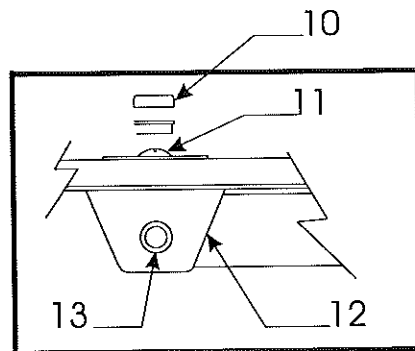
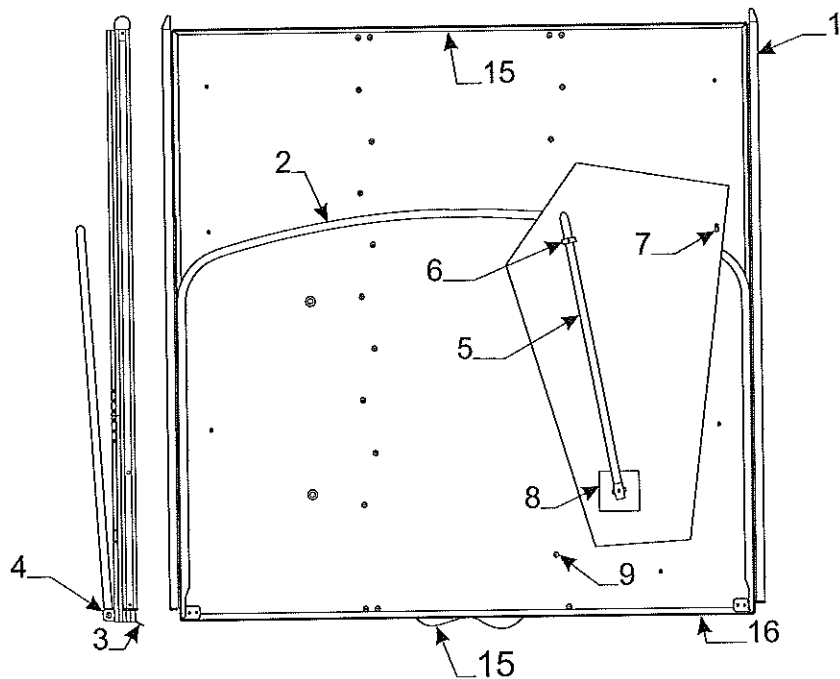
* Prior Authorization Needed

Flat Rate	Paneling & Trim (Must Cut To Size)		
	Code	Part #	Description
*	1	4714-6951	universal wall panel 48" x 48" (all except Taos)
*		4754E1341	universal wall panel 48" x 23 13/16" 4075 Taos
*	2	4716C1321	universal corner divider m2 48" pc.
*	3	4716C1331	universal panel divider m2 48" pc.



Flat Rate	Tent Support Components		
	Code	Part #	Description
.20	1	4757-4301	tent support clasp m10
.20		8470-1728	pole pin "black" m10
.10	2	4734-6708	spring assy.
.10	3	4734A6708	spring assy.
.10	4	4752A0561	tube closure "black" m2
.10		4730B4648	tube closure "white" m2

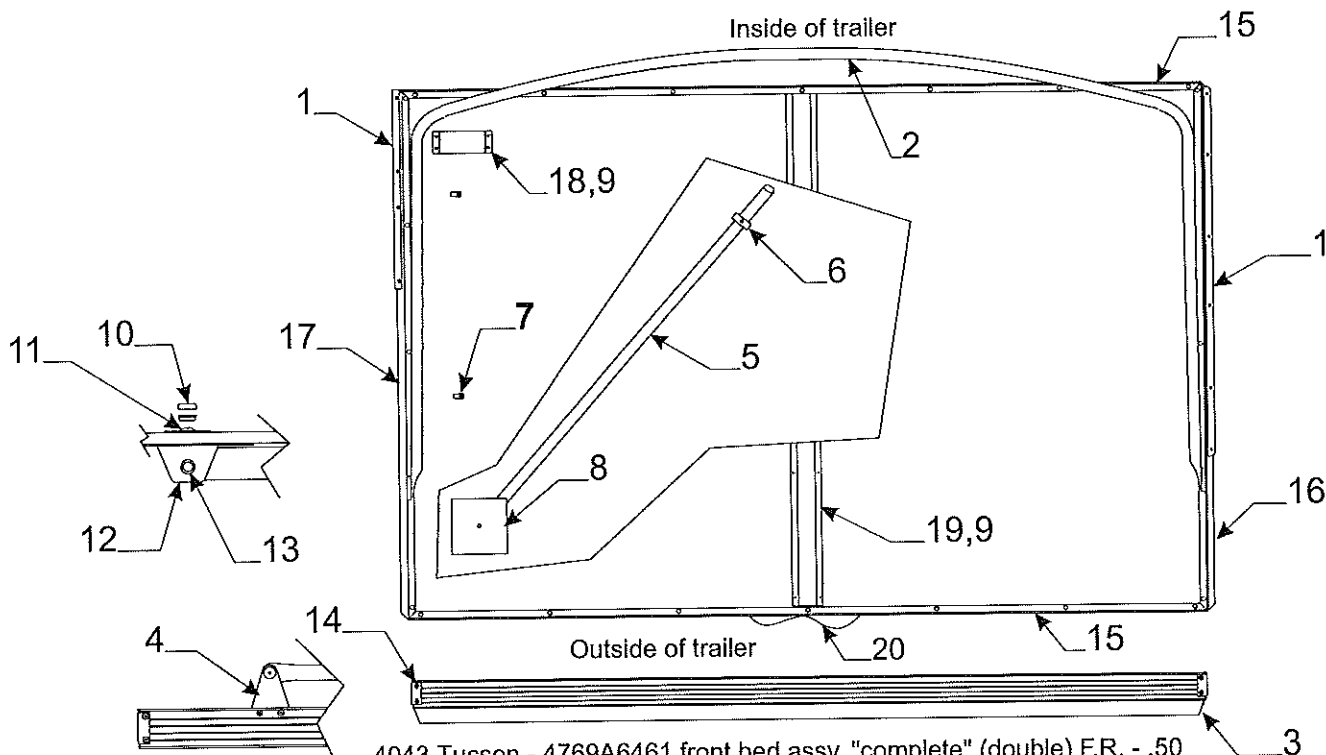
Tent Support Assemblies (Complete)		
Flat Rate .10 per Tent Support		
Model	Front Bed	Rear Bed
4056, 4088	4769B5641	4759A6891
4043 Tucson	4754A7511	4754A7501
4075 Taos	4747B5731	4747B5731



- 4056 Yuma 4757-7121 Front Bed Assy. "Complete" (Queen) F.R. - .75
- 4056, 4088 4754-7641 Rear Bed Assy. "Complete" (Double) F.R. .75
- 4088 Sea Pine 4769-5751 Front Bed Assy. "Complete" (Queen) F. R. - .75

** .50 first extension
 ** .25 second extension

Flat Rate	Front/Rear Bed Assy. Components
Code	Part # Description
** 1	4716U4031 bed extension (x2 per bed)
Note: must cut to size were applicable.	
.25 2	4714C1901 tent bow/leg package
.25 3	4060300339P vinyl bed seal pkg. (8' pc.)
.15 4	4720K5631 bed bow bracket M2
.05	4757-9241 1 1/2" nylon fender washer m4
.20 5	4734E5881 bed leg assy. m2 (x2 front beds)
.20	4753-3811 bed leg assy. (x2 rear beds)
.15 6	4720C0771 bed leg clip m4
	1203-8831 rivet m25 (rivet clip to bed)
.15 7	4720D4021 lashing hook m6
	1203-8741 rivet m25 (rivet hook to bed)
.20 8	4737A4178 support plate
	9 1203C8721 rivet m25
	10 4739E2908 screw cap m10
	4739-2918 screw cap washer m10
	11 4716-074 screw
	1202B2528 washer
.20 12	4734A5141 bed leg bracket
.20 13	4720A2361 rod & pal nut
.20 14	1034B16128 flat head screw
	1201B6378 lock nut
.20 15	4758-9481 pull-out handle strap & rivets
	4758-8001 rivet "black" m25
.20 16	4758-8301 tent retainer track & rivets
.20 17	4755A2591 bed brkt. w/mounting hardware x4
	18 4739-2298 lock nut
.50 19	4754-8101 bed roller, nut, bolt, & washer pkg.
	20 1202B2908 washer
.15 21	4754-8631 bed slide end cap
.15 22	4754-4821 bed slide wedge

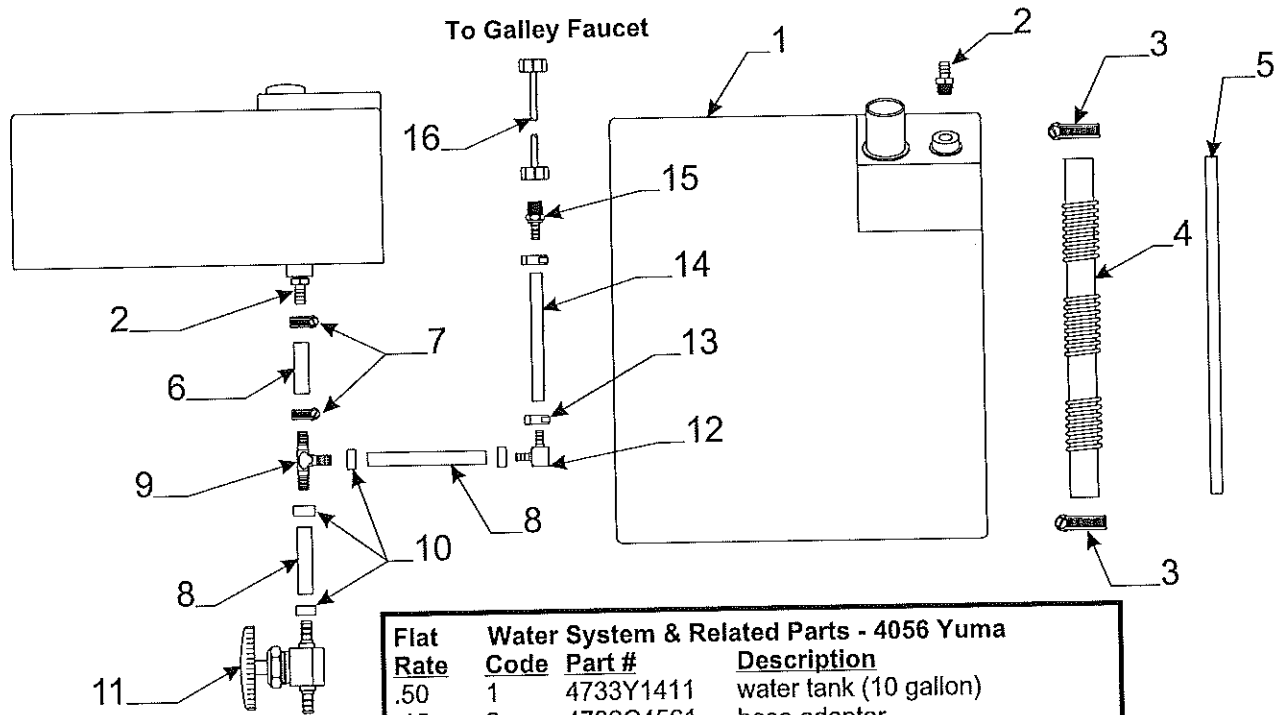


4043 Tucson - 4769A6461 front bed assy. "complete" (double) F.R. - .50
 4043 Tucson - 4769A6471 rear bed assy. "complete" (double) F.R. - .50
 4075 Taos - 4747F5201 front bed assy. "complete" (double) F.R. - .50
 4075 Taos - 4747F5481 rear bed assy. "complete" (double) F.R. - .50

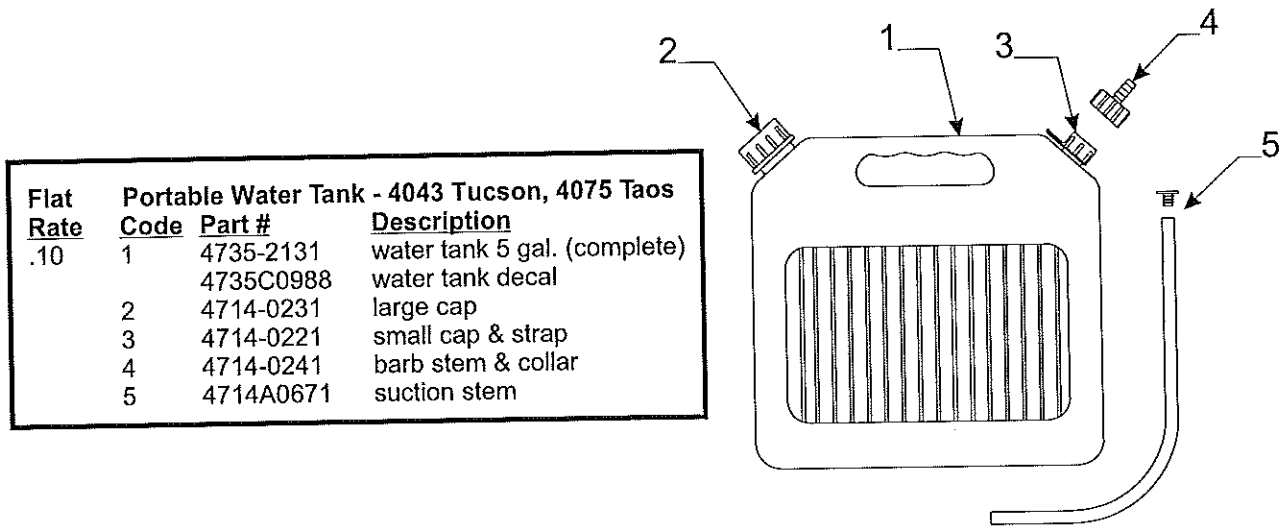
Flat Rate	Frnt. & Rear Bed Assy. Components 4043, 4075	Flat Rate	Code	Part #	Description
.40	1 4747C4051 plastic bed slide 18"			4739-2918	screw cap washer m10
.40	4747C3691 plastic bed slide 40"		11	4716-074	screw
	4752-3061 rivet m25			1202B2528	washer
.25	2 4714A1901 tent bow/leg package	.20	12	4734A5141	bed leg bracket
.25	3 4060300339P vinyl bed seal pkg. (8' pc.)		13	4720A2361	rod & pal nut
.15	4 4720G5631 bed bow bracket x2	.20	14	4747A3221	corner angle x4
.20	5 4734E5881 rear bed leg assy. m2			1203-8641	rivet m25
.20	4750-6171 front bed leg assy. x2	.50	15	4747A3241	front & rear bed frame
.15	6 4720C0771 bed leg clip m4	.60	16	4747A3231	side rail csr/rsf
	1203-8831 rivet m25	.60	17	4749A8151	side rail csf/rsr
.15	7 4720D4021 lashing hook m6	.20	18	4749A4891	bed stop
	1203-8741 rivet m25	.40	19	4747A1161	bed channel
.20	8 4737A4178 support plate	.20	20	4758-9481	pull-out strap & rivets
	9 1203C8721 rivet m25			4758-8001	rivet "black" m25
	10 4739E2908 screw cap m10				

Mattress Assemblies & Covers Flat Rate .50 per cover			Flat Rate .10 Matt assy.		
Model	Frnt. Matt. assy.	Frnt. Matt. Cover	Model	Rear Matt. assy.	Rear Matt. Cover
4056, 4088	4769B8681	4714B8681	4056, 4088	4769B8691	4714B8691
4043 Tucson	4754B7491	4714B7491	4043 Tucson	4754B7481	4714B7481
4075 Taos	4749N6361	4716M6361	4075 Taos	4749N6361	4716M6361

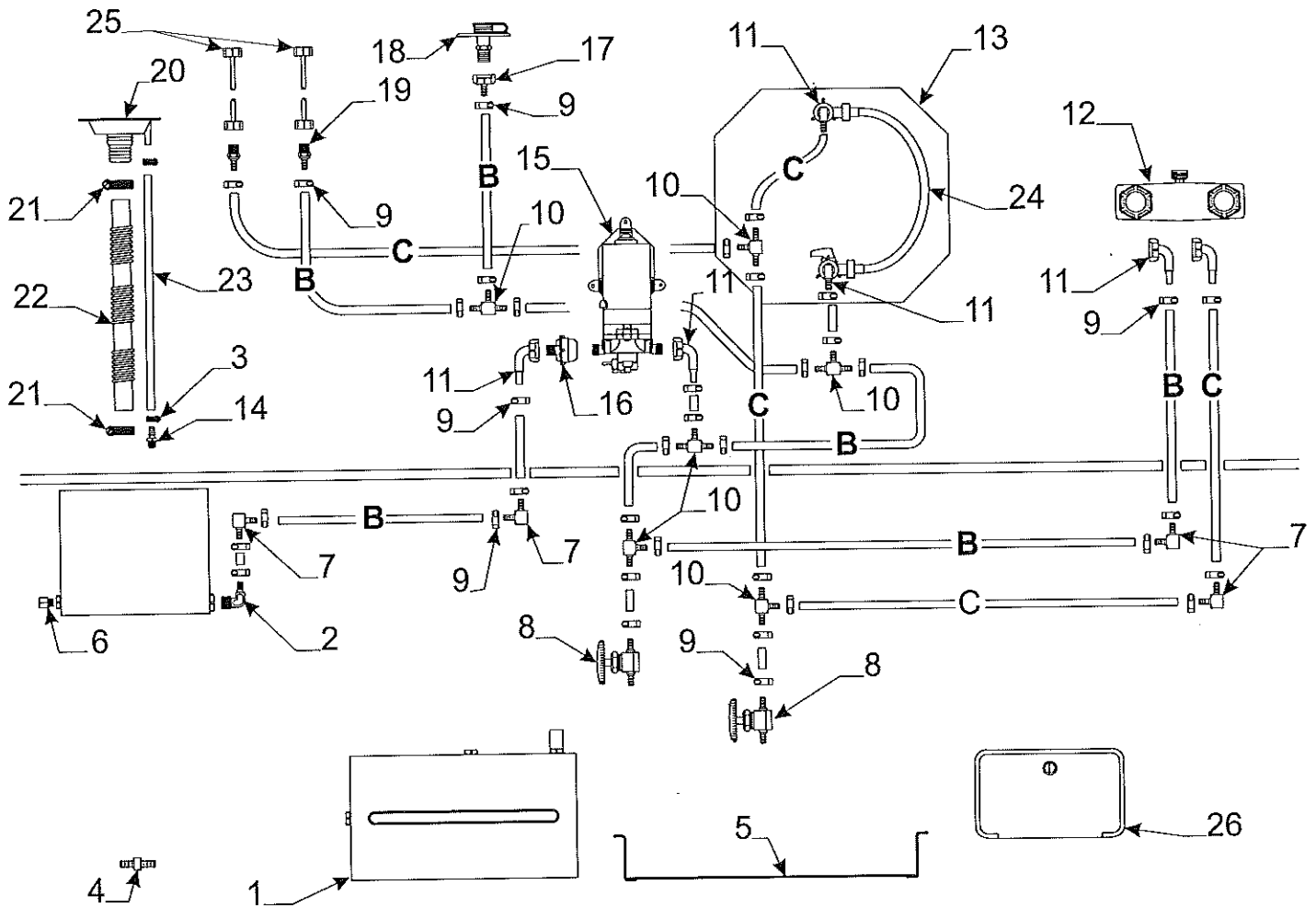
Mattress Assembly Dimensions		
Model	Frnt. Matt. Assy.	Rear Matt. Assy.
4056, 4088	77" x 66" x 3 1/2"	77" x 48" x 3 1/2"
4043 Tucson	72" x 56" x 3"	72" x 40" x 3"
4075 Taos	72" x 48" x 3"	72" x 48" x 3"



Flat Rate	Water System & Related Parts - 4056 Yuma
Code	Part # Description
.50	1 4733Y1411 water tank (10 gallon)
.15	2 4732C4561 hose adapter
	3 4715-4501 1 1/4" hose clamp
.35	4 4731H1081 water fill hose 24" pc.
	5 4060050003F 1/2" h.p. hose (sold/foot)
	6 4714-038 3/8" h.p. hose (sold/foot)
	7 4731-3058 adjustable hose clamp
	8 4060050006P pex tubing "cold" (20' pc. pkg.)
.25	9 4741C2381 barbed tee "brass" M10
	10 4741A2751 stainless steel clamp M100
.20	11 4741D2361 line drain "brass"
.25	12 4741C2381 brass tee "Pex" m10
.25	13 4741A2751 stainless steel clamp m100
	14 4060050006P pex tubing "cold" (20' pc. pkg.)
.20	15 4757-3631 brass adapter 3/8" barb "Pex"
.25	16 4757-3711 52" pex riser
	17 4750C5861 o/s shower complete
	4716-7511 key Ch751 m2
.15	4750A2961 lock assy. w/key



Flat Rate	Portable Water Tank - 4043 Tucson, 4075 Taos
Code	Part # Description
.10	1 4735-2131 water tank 5 gal. (complete)
	2 4735C0988 water tank decal
	3 4714-0231 large cap
	4 4714-0221 small cap & strap
	5 4714-0241 barb stem & collar
	4714A0671 suction stem

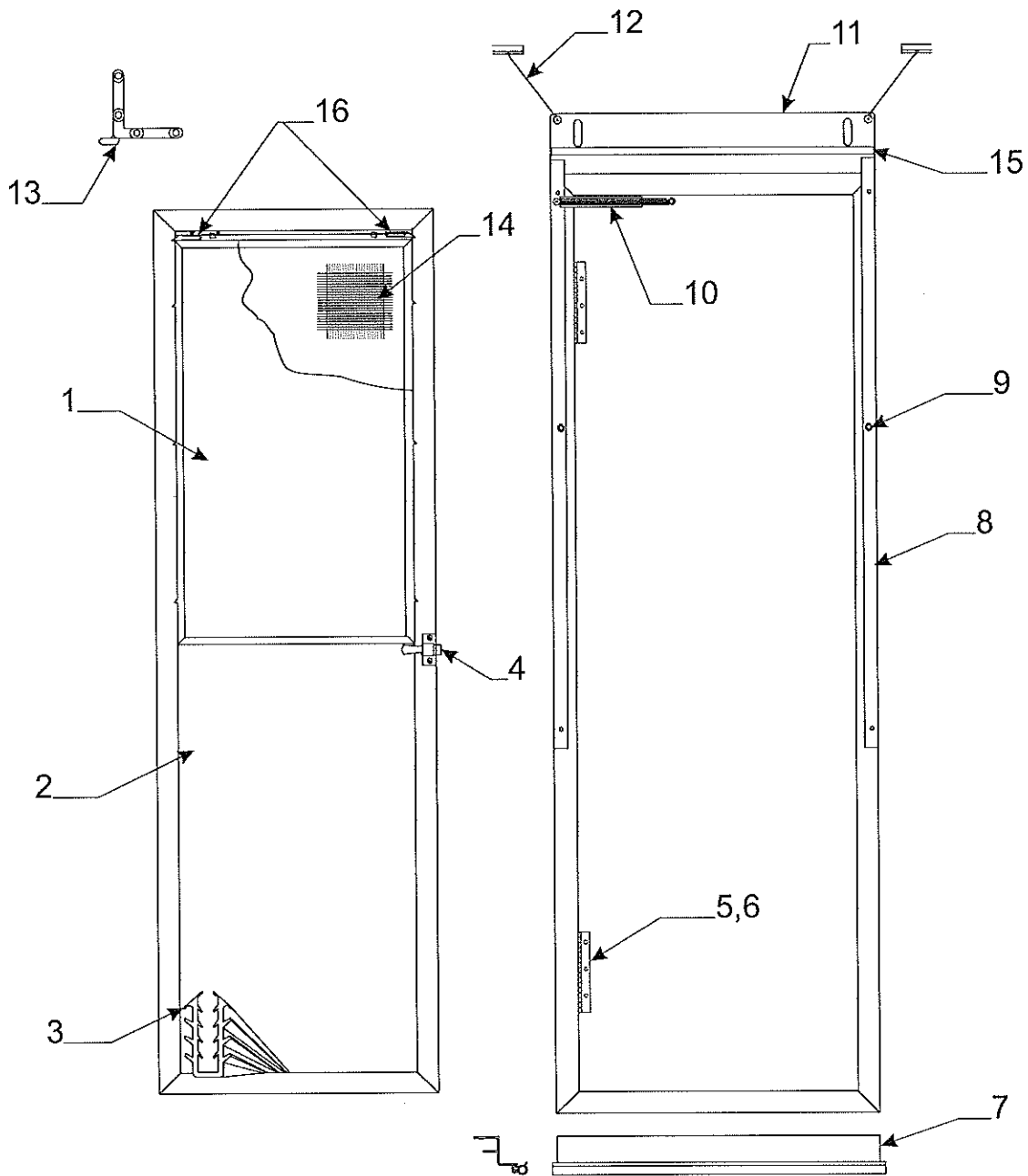


B 4060050006P 3/8" I.D. Pex tubing "cold" (20' pc. pkg.)
 C 4060050007P 3/8" I.D. Pex tubing "hot" (20' pc. pkg.)

4714-038 3/8" I.D. High pressure hose (sold/foot)

Flat Rate	Code	Part #	Description	Flat Rate	Code	Part #	Description
1.50	1	4757B0521	water tank	.50	15	4741D5571	electric water pump
.25	2	4741C2371	elbow "plastic"	.25	16	4747A8311	water filter
	3	4731-3058	adjustable hose clamp 3/8"	.20	17	4741A9561	female adapter "copper"
	4	4755-4821	brass barbed union m10	.30	18	4732F1521	city fill
.20	5	4758-5381	tank hanger x2 (all)	.20	19	4757-3631	brass adapter 3/8" barb "Pex"
.15	6	1218-7001	plug	.30	20	4731D1711	fill spout
.25	7	4741C2391	brass elbow "Pex" m2		21	4715-4501	adjustable hose clamp
.20	8	4741E2361	brass line drain "Pex"	.35	22	4731H1081	water fill hose (3' pc.)
.25	9	4741A2751	stainless steel clamp m100	.20	23	4060050003F	1/2" h.p. hose (sold/ft.)
25	10	4741C2381	brass tee "Pex" m10		24	4765-9971	water heater bypass kit
.20	11	4741B9061	copper swivel elbow		25	4757-3671	48" pex riser
.50	12	4741B2071	shower diverter	.25	26	4750C5861	o/s shower complete
*	13	4750-3421	water heater			4716-7511	key Ch751 m2
.15	14	4732B4561	hose adapter	.15		4750A2961	lock assy. w/key

* Warranted By Vendor



4701-5401 Screen Door Complete less latch

.30 Flat Rate Screen Door Complete

Note: parts marked w/* asterisk are not included w/screen door

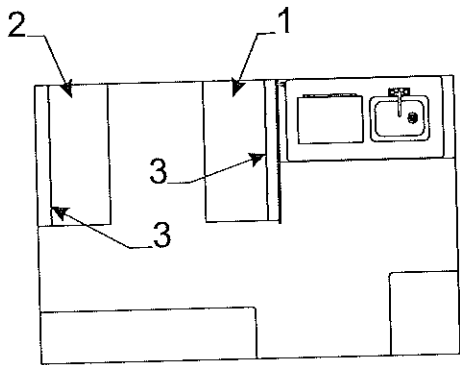
Flat Rate	Code	Part #	Description	Flat Rate	Code	Part #	Description
.10	1	4716E3401	top sliding window pane	.05	9	4730A3548	stud w/screw x2
.40	2	4754B1541	stationary window pane	.20	10	4731A8201	spring package
.15	3	4060000086F	rubber seal (sold/foot)	.30	11	4758B0571	top bracket
		Note: around perimeter of window pane		.15	12	4734D5211	cable assy. m6
.15	4	*4772-2901	door latch assembly	.50	13	4710-3791	corner brace hinge m2
.15	5	4720C3601	hinge x2		14	4716-1381	screened stationary pane
	6	1203-8641	rivet m25	.75		4716-1111	screening 36" x 18 1/2"
.25	7	*4747B5621	screen door support	.10	15	4060000023P	d-seal "white" (5' pkg.)
		*4060000399F	rubber seal (sold/foot)	.50	16	4716-3811	window lock pkg. rt./lt.
.20	8	4754-3811	vel-stick (pkg. of 2)				

Dinette Area Cushion/Backrest Assemblies & Covers - 2006 Destiny Series Flat Rate .10 Assembly - .25 Cover

Model	Cushion Assy	Cushion Cover	Model	Backrest Assy	Backrest Cover
4043 Tucson	4759D8821	4714D8821	4043 Tucson	4759D8831	4714D8831
4075 Taos	4749P6581	4716P6581	4075 Taos	4749P6571	4716P6571

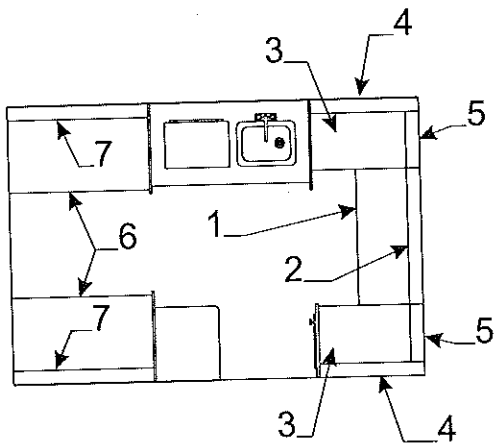
Plastic Cushion Button x2 - 4710-2681 m5

Dinette Cushion/Backrest Dimensions		
Model	Cushion Assembly	Backrest Assembly
4043 Tucson	40 5/8" x 19 1/2" x 4"	40 5/8" x 17" x 4"
4075 Taos	40 5/8" x 21" x 4"	40 5/8" x 15 1/2" x 4"



Flat Rate Cushion & Backrest Assy.'s - 4056 Yuma			
Flat Rate	Code	Part #	Description
.10	1	4759E8921	cushion assy. 40 3/4" x 17 1/4" x 4"
.25		4714E8921	cushion cover
.10	2	4759C8851	cushion assy. 40 3/4" x 15" x 4"
.25		4714C8851	cushion cover
.10	3	4759D8931	backrest assy. 40" x 16 3/4" x 4"
.25		4714C8901	backrest cover

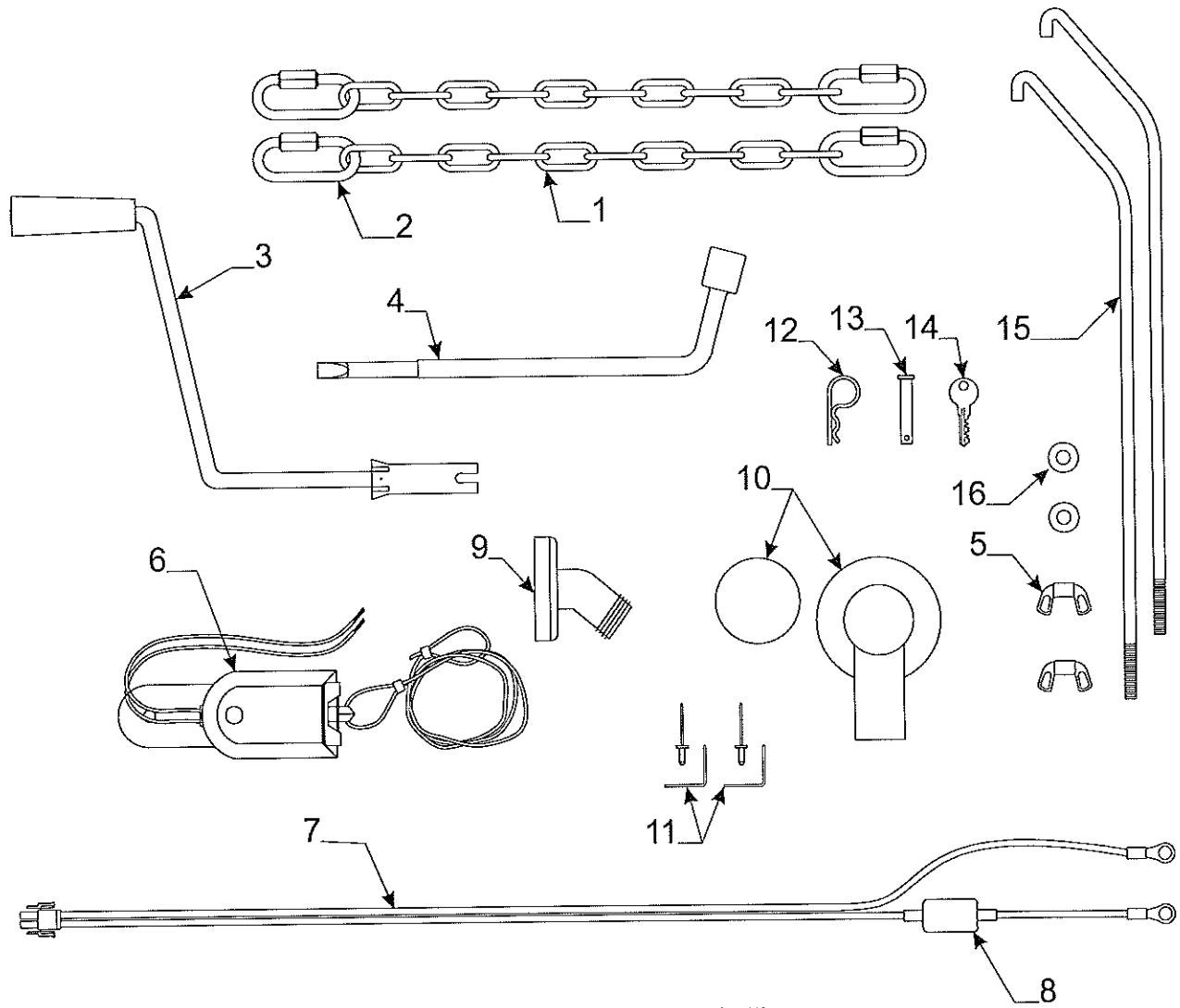
Plastic Cushion Button x2 - 4710-2681 m5



Flat Rate Cushion & Backrest Assy.'s - 4088 Sea Pine			
Flat Rate	Code	Part #	Description
.10	1	4754A7711	cushion assy. 40 1/2" x 22" x 4"
.25		4714A7711	cushion cover
.10	2	4754A7721	backrest assy. 40 1/2" x 13" x 4"
.25		4714A7721	backrest cover
.10	3	4754B7731	cushion assy. 35 1/2" x 20" x 4"
.25		4714B7731	cushion cover
.10	4	4754A7741	backrest assy. 35 1/2" x 13" x 4"
.25		4714A7741	backrest cover
.10	5	4754A7751	backrest assy. 15" x 13" x 4"
.25		4714A7751	backrest cover
.10	6	4759C8991	cushion assy. 40 5/8" x 15" x 4"
.25		4714C8991	cushion cover
.10	7	4759C8901	backrest assy. 39 1/2" x 14" x 4"
.25		4714C8901	backrest cover

Plastic Cushion Button x2 - 4710-2681 m5

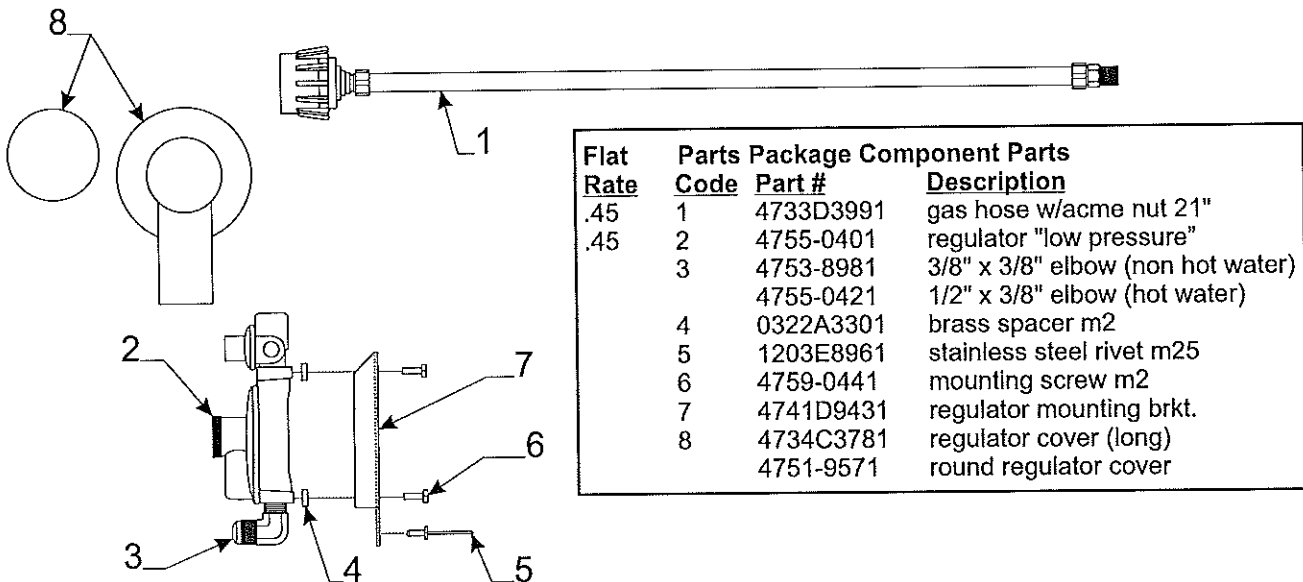
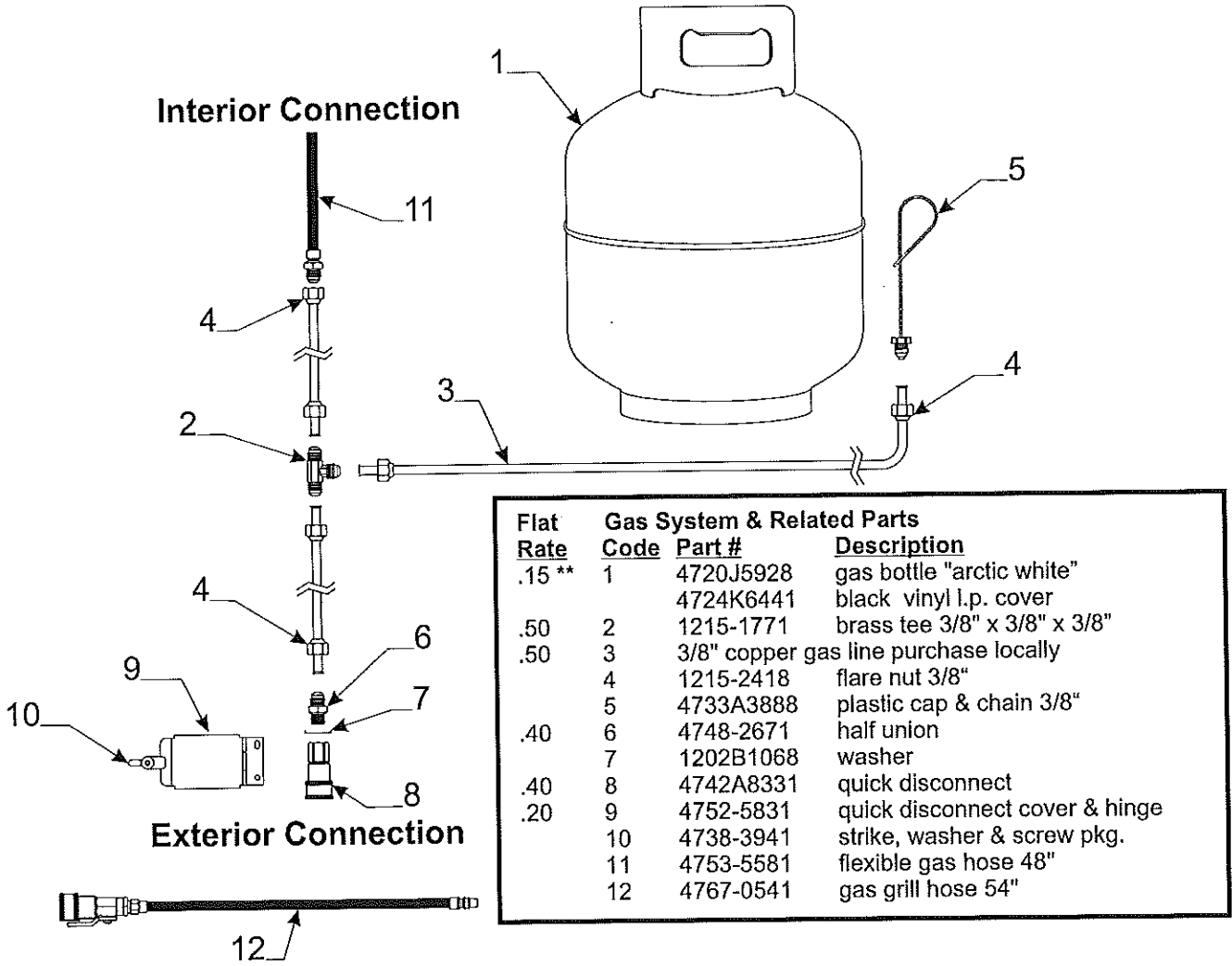
<p>Drape Package (Less Valance Pkg.) - FR .30 Note: Package includes privacy curtains</p> <table border="1"> <thead> <tr> <th>Model</th> <th>Drape Pkg.</th> <th># Of Panels</th> </tr> </thead> <tbody> <tr> <td>4056 Yuma</td> <td>4767D5821</td> <td>8</td> </tr> <tr> <td>4088 Sea Pine</td> <td>4769B5931</td> <td>9</td> </tr> <tr> <td>4043 Tucson</td> <td>4724T8361</td> <td>8</td> </tr> <tr> <td>4075 Taos</td> <td>4702-0801</td> <td>8</td> </tr> </tbody> </table> <p>Drape Tab C-Shape - FR .05 4750-2891 drape tab M60</p> <p>Privacy Curtain Pkgs. (Set of 2 Panels) Note: Must order Complete Drape Pkg. for Models Tucson & Taos</p> <p>.15 4723P7901 - 4056 Yuma, 4088 Sea Pine</p>	Model	Drape Pkg.	# Of Panels	4056 Yuma	4767D5821	8	4088 Sea Pine	4769B5931	9	4043 Tucson	4724T8361	8	4075 Taos	4702-0801	8	<p>Single Drape Panel w/Safety Straps Note: Must order Complete Drape Pkg. for Models Tucson & Taos</p> <p>.15 4716F8751 Single Drape Panel 52" x 44" - 4056 Yuma .15 4716G8721 Single Drape Panel 35" x 44" - 4056, 4088 .15 4716F8711 Single Drape Panel 43" x 44" - 4088 Sea Pine</p> <p>Valance Package - FR .25 4755A7541 - 4056 Yuma 4759C8891 - 4088 Sea Pine 4755J2761 - 4043 Tucson 4755E2751 - 4075 Taos</p> <p>Drape Tie Package (Qty. 1) - FR .05 4767-4701 - 4056, 4088 4767-3781 - 4043, 4075</p>
Model	Drape Pkg.	# Of Panels														
4056 Yuma	4767D5821	8														
4088 Sea Pine	4769B5931	9														
4043 Tucson	4724T8361	8														
4075 Taos	4702-0801	8														

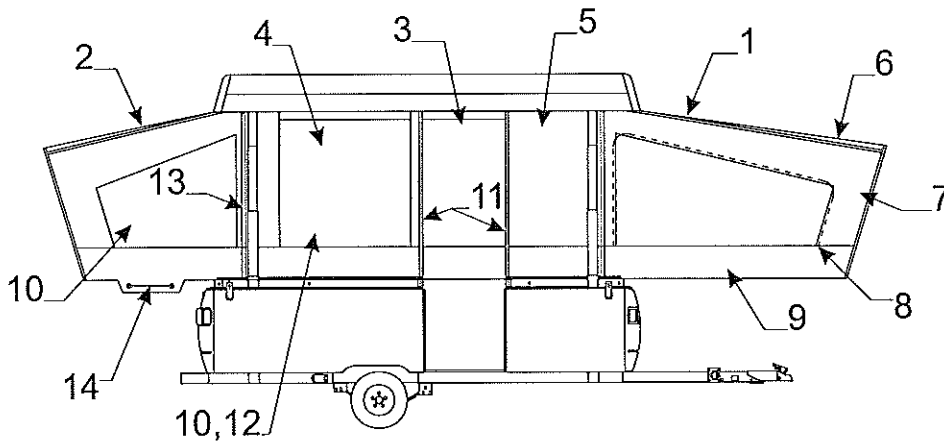


4750J6111 Parts Package (All)

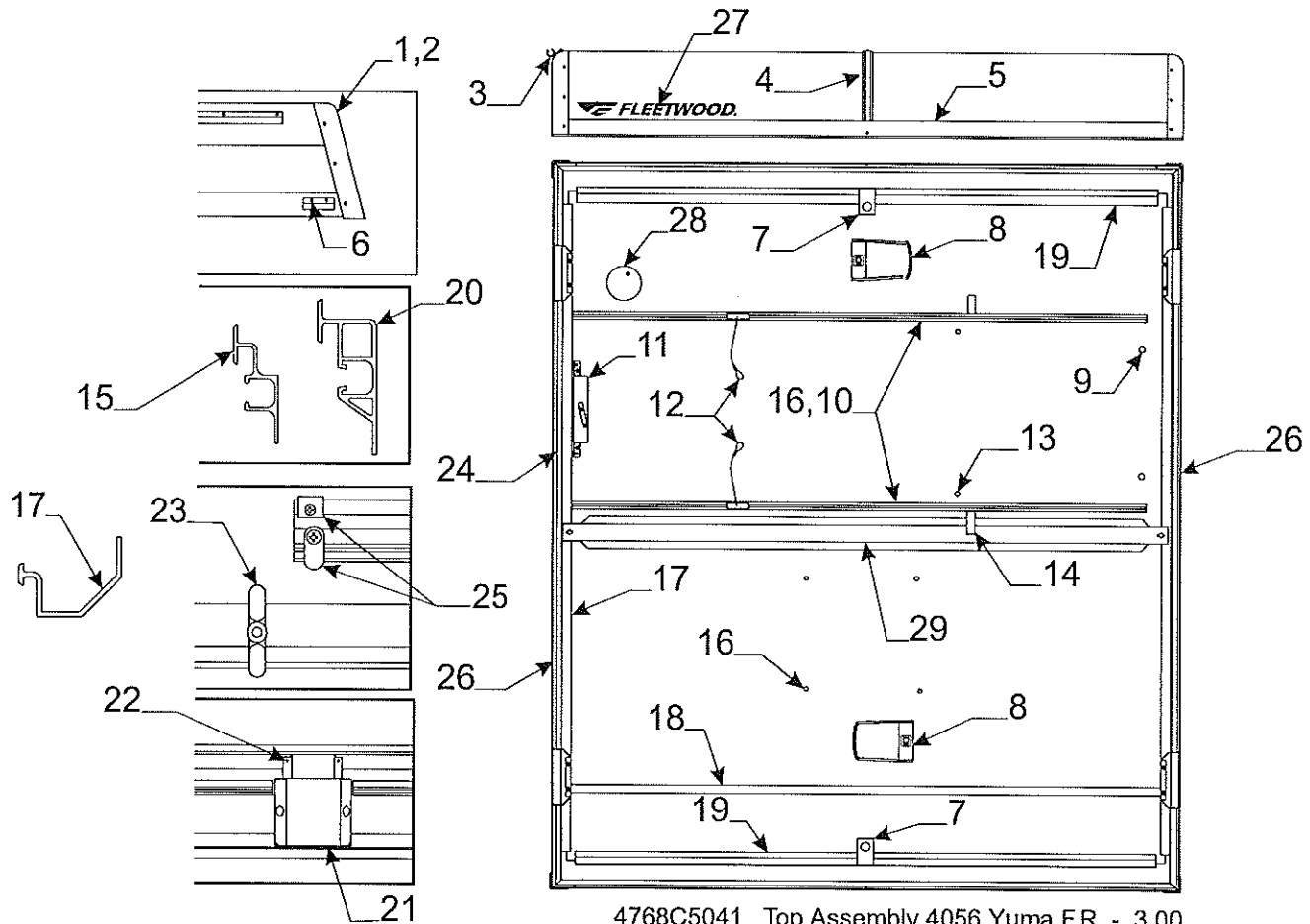
<u>Flat Rate</u>	<u>Parts Code</u>	<u>Package Part #</u>	<u>Component Parts Description</u>
	1	4757-3901	29" tow chain w/quick links m2
	2	4757-3891	quick link (sold/signally)
	3	4747G4141	crank handle
	4	4749A1861	lug nut wrench
	5	1201-6258	wing nut x2
	6	4746-0401	breakaway switch
	7	4749B5531	battery harness w/15 amp breaker
	8	4751-4811	15 amp circuit breaker
	9	4737-9138	drain adapter
	10	4734C3781	regulator cover (long)
		4751-9571	round regulator cover
	11	4753E6781	battery angle pkg.
	12	4732A4791	safety pin m10
	13	4771-2631	hitch pin m5
	14	4730B3211	key m10 # 8025 (gold plated)
		4716-7511	key m2 Ch751 (outside shower door)
	15	4733G6281	gas bottle mounting brkt. pkg.
			Note: pkg. includes (2) wing nuts, washers
	16	1202B0468	washer x2 m10

**** Serial Number Of Gas Bottle Must Be Supplied When Submitting Warranty**





<u>Flat Rate</u>	<u>Sunbrella Tenting & Components</u>		
	<u>Code</u>	<u>Part #</u>	<u>Description</u>
.50	1	4769B5711	front boot 66" 4056 Yuma, 4088 Sea Pine
.50		4754A7521	front boot 4043 Tucson
.50		4702-5051	front boot 4075 Taos
.50	2	4769B5701	rear boot 48 "4056 Yuma, 4088 Sea Pine
.50		4754A7531	rear boot 4043 Tucson
.50		4702-5051	rear boot 4075 Taos
.20	3	4769B5661	large window 4056 Yuma
.20		4759B8711	large window 4088 Sea Pine
.20		4769B6401	large window 4043 Tucson
.20		4747K6501	large window 4075 Taos
.20	4	4769B5681	small window 4056 Yuma
.20		4759B8731	small window 4088 Sea Pine
.20		4769B6411	small window 4043 Tucson
.20		4747K6521	small window 4075 Taos
.15	5	4769B5691	door seal 4056 Yuma
.15		4759B8721	door seal 4088 Sea Pine
.15		4769B6421	door seal 4043 Tucson
.15		4748J6631	door seal 4075 Taos
	6	8118501430P	top vinyl pkg. (85" x 3 yards)
	7	4716C0851	sunbrella patch package (12" x 14")
	8	6650500131F	zipper (sold/yard) used around window
		1225A4461	zipper pull m5
	9	8118001438P	green bottom vinyl facing pkg. (3 yd. x 80")
	10	4714E1611	screen package (84" x 3 yards)
		4714A0361	screen package (84" x 13 yards)
	11	435000009P	1" velcro hook (10' pc. Pkg.)
	12	4716-2401	clear window vinyl (41" x 2 yards)
	13	1225G3768	45 1/2" side zipper pin half 4056, 4088
		1225G3758	45 1/2" side zipper slider half 4056, 4088
		1225-3678	47 1/2" side zipper pin half 4043 Tucson
		1225-3688	47 1/2" side zipper slider half 4043 Tucson
		1225-3658	52 1/2" side zipper pin half 4075 Taos
		1225-3668	52 1/2" side zipper slider half 4075 Taos
.50	14	4060000245CP	shock cord (150' package)
.50		4714C6021	shock cord & hooks m2 (two 14' lengths)
.15		4724A2011	shock cord termination (plastic hook) m10
	15	4060000024F	arrowhead seal (sold/foot)
.30	16	4735D6721	extension harness
.50	17	4743-1588	k-kote seam sealer
	18	4728-5641	tent retainer pkg.
.30	19	4710-1001	vinyl daubing "white" m2
.30		4710-1011	vinyl daubing "grey"
.30		4710-1021	vinyl daubing "green" m2



- 4768C5041 Top Assembly 4056 Yuma F.R. - 3.00
- 4754-7651 Top Assembly 4088 Sea Pine F.R. - 3.00
- 4768C5011 Top Assembly 4043 Tucson, 4075 Taos F.R. - 3.00

1.50 For A/C | 1.00 For Crossbars | 1.00 For Disposal

Flat Rate	Code	Part #	Description	Flat Rate	Code	Part #	Description
.50	1	4716U1981	top corner pkg. (pkg. of 4)	.30	15	4060000093P	tent track (frt./rr.)
		4356500043P	1" x 3/16" butyl tape (20' pc. pkg.)		16	1103E1018	screw stainless steel
		4745C3908	caulking "white" silaprene		17	4767-3061	plastic accordion rivet m25
	2	4745-3968	screw "white"		17	4754A9831	side cove w/"T" 4088, 4056
.50	3	4757-3561	canopy track (must cut to size)		17	4747-2558	side cove 4043, 4075
1.00	4	4752-02791	center seam (must cut to size)	.20	18	4350400004F	expansion rivet m25
		4060400096F	vinyl screw cover (sold/foot)		18	4767-3611	vinyl tape (sold/foot)
		4741-3508	hex head screw		19	4767-3841	cove (front/rear) 4088, 4056
		4350000101PF	1" x 1/8" butyl tape (30' pc. pkg.)		19	4747-2558	cove (front/rear) 4043, 4075
.50	5	4756A0681	frt./rr. seal extrusion 4088, 4056	.30	20	4060000092P	expansion rivet m25
.50		4741F2138	frt./rr. seal extrusion 4043, 4075		20	1103E1018	tent track (must cut to size)
.15	6	4750A9581	top strike m2	.20	21	4747D5521	screw stainless steel
		4744C2461	torx head screw "painted" m2		21	4741D3558	lift pocket cover x4 (all)
		1201B6958	nut (x2 per strike)	.20	21	4741D3558	hole plug x2
.15	7	4741F11381	tent support brkt.	.25	22	4351400005F	velcro loop (sold/yard)
		4741C9368	screw "painted" x2		22	4741B5431	lift pocket x4
.15	8	4737K5911	single dome light	.15	23	1201B6378	lock nut (x2 per pocket)
		4758-1361	dome light lens		23	4743-2501	plastic screen dr. latch pkg.
		1103B1028	screw x4	.50	24	4060100399P	rubber top seal (40' package)
.30	9	4737-3211	rubber button m8	.05	25	4728A5641	tent retaining pkg.
		4733H47181	screen door track x2		25	4750-2891	drap e tab c-shape m60
		4744B4611	expansion rivet m25	.75	26	4738-3088	screw
.20	11	4749C5571	screen door bracket	.75	26	4759B241	side seal extrusion 4056
		4747-2558	expansion rivet m25	.75	26	4759B335	side seal extrusion 4088
		4749-2138	snap button m2	.75	26	4747E1291	side seal extrusion 4043, 4075
		1203-8631	rivet m25	.25	27	4761-1958	fleetwood decal
.15	12	4734D5211	screen door cable m6 (all)	.15	28	4767-4641	carbon monoxide detector
.15	13	4730A3548	stud w/screw x2		29	4716A8991	roof brace kit 4088, 4056
.15	14	4723A5061	strap x2				