

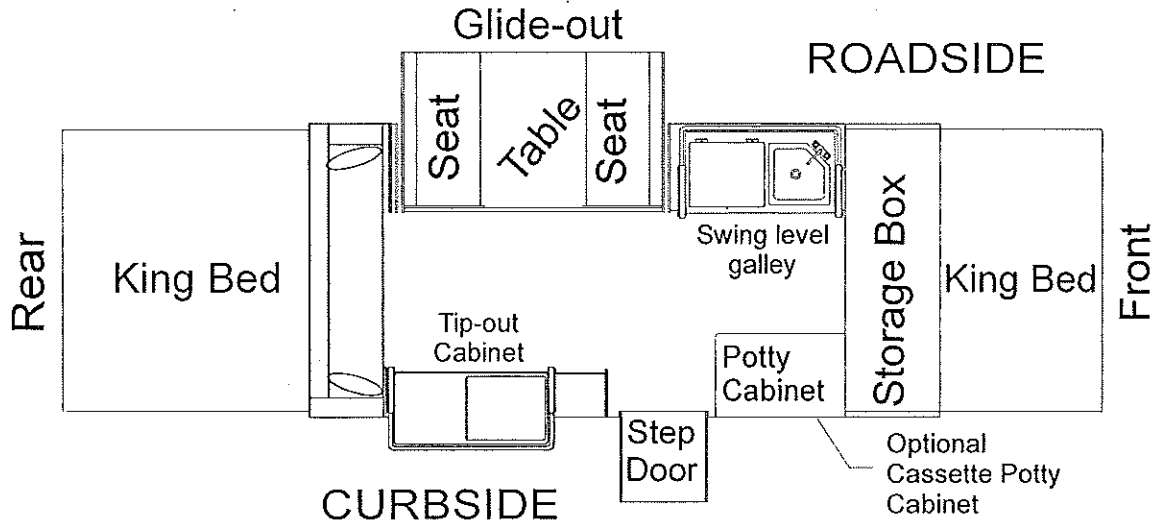


2005
Grand Tour Series
Repair Parts Catalog

3978 Bayside
3981 Utah

2005 GRAND TOUR SERIES

3978 Bayside 12'



3981 Utah 12'

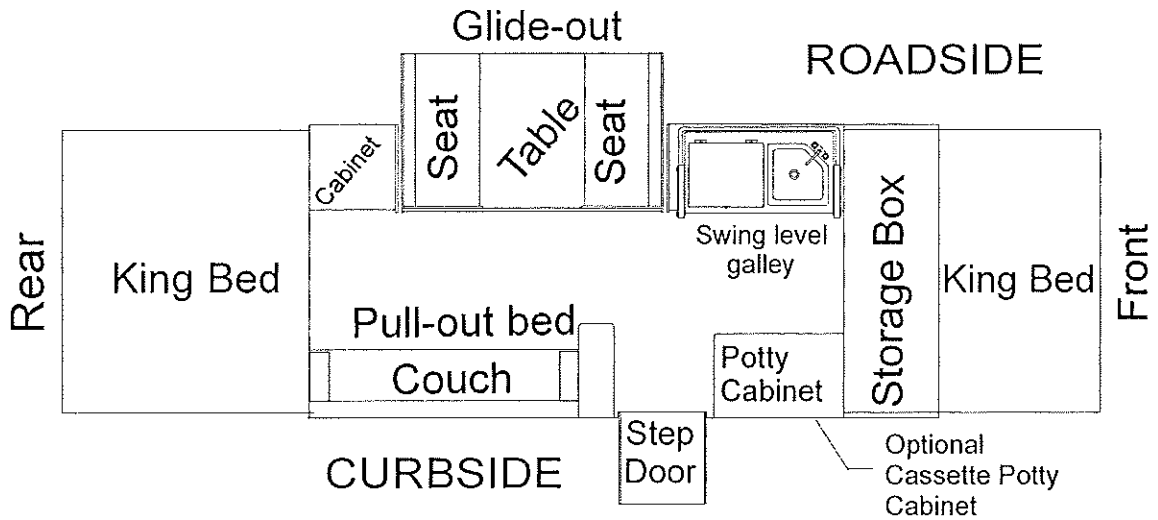
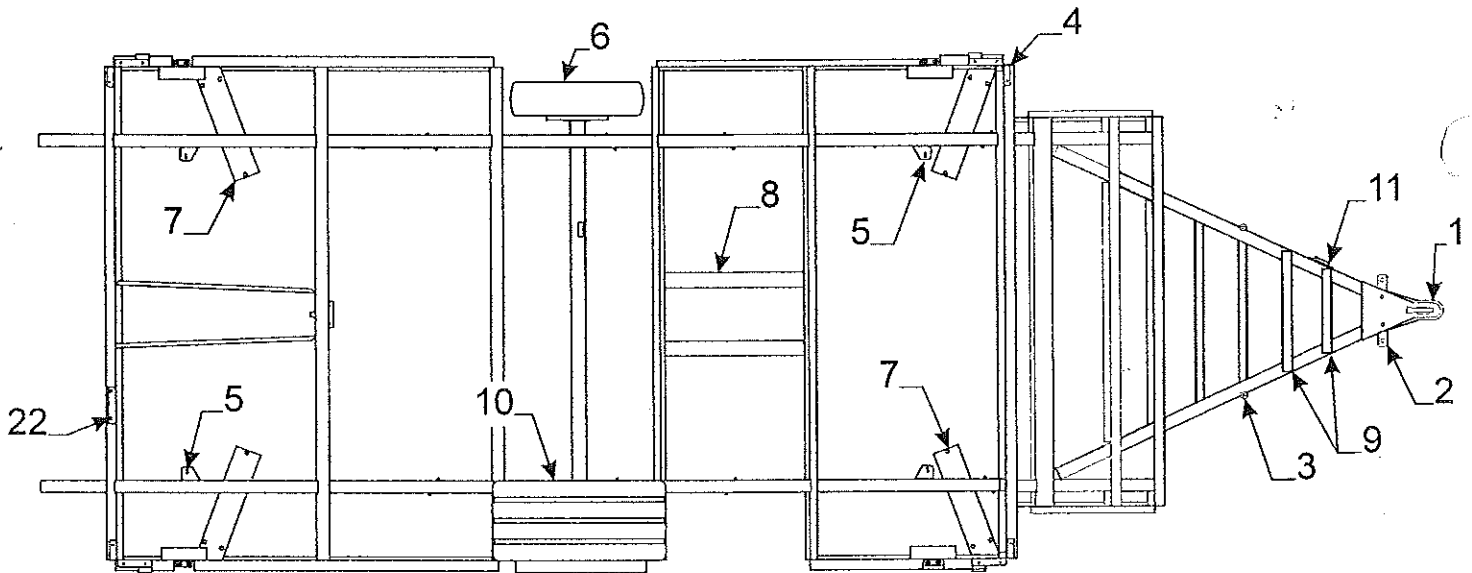


TABLE OF CONTENTS

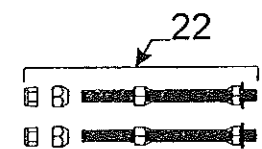
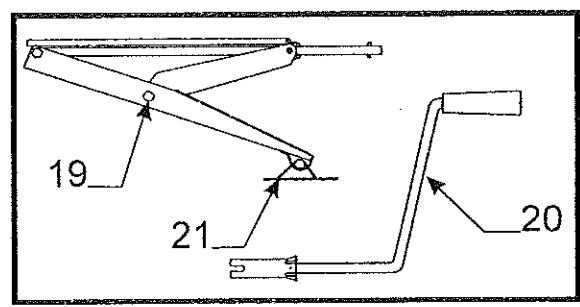
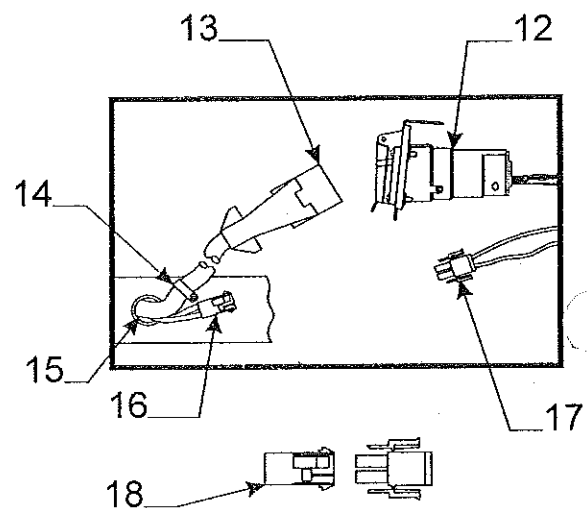
<u>DESCRIPTION</u>	<u>PAGE</u>
Access door key	26
Access door assembly & related parts	9
Auto extension	13
Axle assemblies & related parts	6
Backrest assemblies & covers	24
Bed assemblies	20
Bed extensions & related parts	20
Body panel front & rear (plastic)	7
Body panel left side (roadside)	12
Body panel right rear (curbside)	9
Body panel right front (curbside)	9
Bumper & related parts	7
Cabinet assembly (corner cabinets)	17
Cabinet assy. "Bayside" (csr swing level cab.) ...	15
Caulking	13
Coax cable tv outlet	10, 16
Converter & related parts	18
Corner bulkhead assembly	2
Coupler assembly	2
Crank components (upper crank)	5
Crank handle	2, 9
Cushion assemblies & covers	24
Door bulkheads	8
Drain hose (used on sinks)	12
Drape packages & related parts	25
Drawer assembly components	18
Electric brakes & related parts	3
Faucet (galley faucet)	22
Fire extinguisher & components	15
Floor covering	2
Frame assembly & related parts	2
Gas detector	18
Gas hose (gas bottle hook-up)	27
Gas bottle mounting brackets	27
Gas quick disconnect (outside stove)	27
Gas bottle cover (black vinyl)	27
Gas bottle & related parts	35
Glide-out & related parts	10, 11
Grease cap (EZ lube cap)	3
Hub assembly & related parts	3
Hub caps	2
Lift assemblies & related parts	4
Lift trim & miter covers	8
Lower galley components (Bayside, Utah)	16
Mattress assemblies & covers	20
Outside shower assy.	10
Paint (spray & quart can)	13
Paneling & trim	13
Parts package & components	26

<u>DESCRIPTION</u>	<u>PAGE</u>
Pigtail (car end)	2
Potty cabinet	19 Potty
"cassette"	19
Power cord (converter)	18
Receptacle (exterior)	8
Receptacle (interior)	18
Refrigerator vents	10
Regulator & fittings	27
Safety chains	26
Screen door & related parts	23
Seat bench component parts	11
Sink & related parts	14
Sink faucet (galley faucet)	22
Spare tire cover (molded plastic)	37
Spare tire mount package	34
Stabilizer assembly	2
Stabilizer handle	2
Storage box components	6
Stove components (upper galleys)	12
Table assembly & related parts	13
Taillights (rear body panel)	7
Tent support assemblies & related parts	21
Tenting & related parts (sunbrella)	28
Thermostat (Hydro Flame)	18
Thrust nut & bearing	4
Tie backs (curtains)	25
Tip-out & glide-out tent bows	21
Tire & rim	2
Tire cover "black vinyl"	2
Tongue jack & related parts	3
Top assemblies & related parts	29
Trim tape kits	8, 9, 10
Upper crank assemble components	5
Upper galley assembly.....	14
Valance package	25
Wardrobe hanger (plastic)	29
Water heater	22
Water system & related parts	22
Wheel well	2
Whiffletree & related parts	4
Zippers (tenting assemblies)	28

Axle/Brakes - Dexter	219/295-1900
Cassette Potty - Thetford	800/444-7210
Converter - World Friendship Co.	800/900-2468
Furnace - Hydro Flame #7916-11	800/546-8759
Mixer Faucet - Empire Brass	800/431-6440
Refrigerator - Dometic	800/216-5115
Stove - Vitco	877/825-8528
Tires - Duro	800/966-8473
Water heater - #5031E	423/775-2131
Yakima bike rack - to obtain repair parts .	800/925-4621



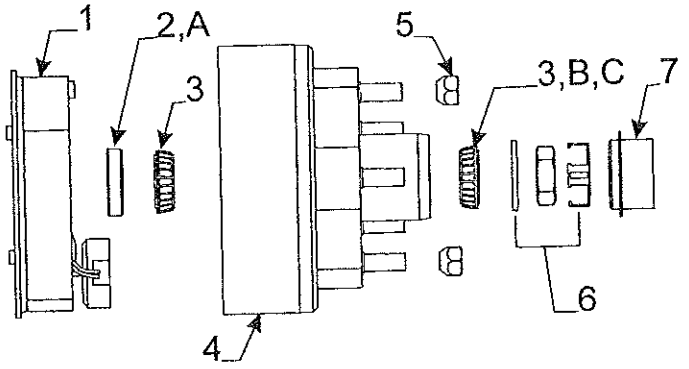
Flat Rate	Code	Part #	Description
1.50	1	4742-2001	coupler assembly
.25		4714A2211	coupler repair kit
.75	2	4720A3561	chain bar w/o pins
.10	3	4758-0381	bed leg pin & washer
2.00	4	4756B6301	bulkhead rsf/csr
2.00		4758A6681	bulkhead csf/rsr
		1203C8751	rivet m25
.75	5	4732E3671	adjustable pulley brkt. x4
.25		4715A5371	pulley & bearing m10
		4720C1578	short pin m4
		1204B1081	cotter pin m10
.25	6	4772-3598	mag tire & rim 13" Id "D"
		4753E8168	spare tire & rim 13" Id "D"
		4716E8168	13" LR "D" tire only Kenda
		4723G3161	13" tire cover "black vinyl"
		4772-3601	chrome lug nuts m5
		4772-4141	star mag center cover
	7	4755B6641	stabilizer plate csf/rsr (all)
		4755B6651	stabilizer plate rsf/csr (all)
1.00	8	4758-5381	water tank hanger brkt.
.25	9	4716A1751	frt./rear battery angle/rivets pkg.
2.00	10	4759-0791	wheel well x2
.75	11	4720B3331	jack brkt. (welded to tongue)
	12	4746A5591	pigtail - bargman (car end)
	13	4753B3751	trlr. wire harness - bargman
	14	1201-8708	3/8" clamp
		1203C8721	steel rivet m25
	15	4742-8108	1 1/4" snap bushing
	16	4716A5001	12 volt power harness
.15	17	4749B5531	12 volt wire harness m2
	18	4716A4701	12 volt cap & plug m2
.25	19	4751A3351	stabilizer assy. (screw down)
		4751-8208	tapping screw (3 per stab.)
	20	4747G4141	crank handle
.10	21	4755-6841	sand shoe (set of 4)
	22	4754F5101	spare tire support
.25	23	4741B5791	spare tire mount pkg.



*6610007204P floor covering pkg. (7 1/2' x14')
 * Prior Authorization Needed From Factory

Flat Rate .50 Per Side
Electric Brake Pkg. 10" x 2 1/4" (4714J2011)

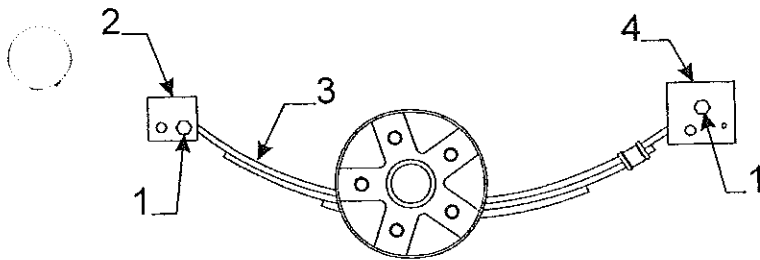
Flat Rate	Code	Part #	Description
.50	1	4716-6251	10" brake assembly (right hand)
.50		4716-6261	10" brake assembly (left hand)
.50	2	4716A1441	10" grease seal x1 m4
.50	3	4716A1451	10" bearing, race & seal pkg.
.30	4	4716-1431	10" hub & drum x2
.05	5	4747A9528	lug nuts x5
.10	6	4714A3061	retainer package
.10	7	1204-1268	cotter pin x1
.05	8	4714C0621	EZ lube grease cap m4



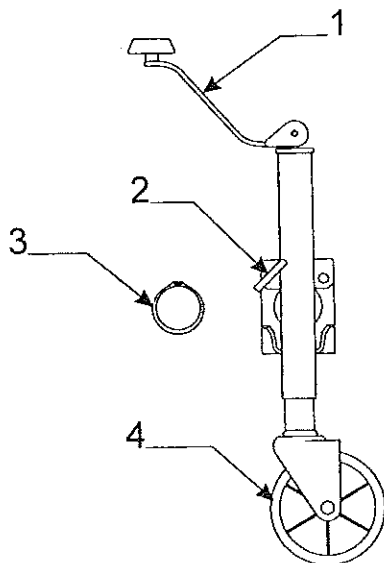
Crossover Numbers To Purchase Locally

- A K71-303-00 Grease Seal
- B L44649 Bearing "outer" - L68149 Bearing "inner"
- C L44610 Race "outer" - L68111 Race "inner"

4730W3011 3500 lb. Brake Axle Assy. (Complete) F.R. 1.25
NOTE: Limited parts stocked, refer to Dexter Axle for required part (s) phone - 219/295-1900



Flat Rate	Code	Part #	Description
.25	1	4737A1318	shackle bolt
		4741-9498	shackle bolt nut
2.00	2	4741A3398	spring shackle "rear"
.75	3	4735H22081	leaf spring (4 ply) axle
2.00	4	4741C3398	spring shackle "front"

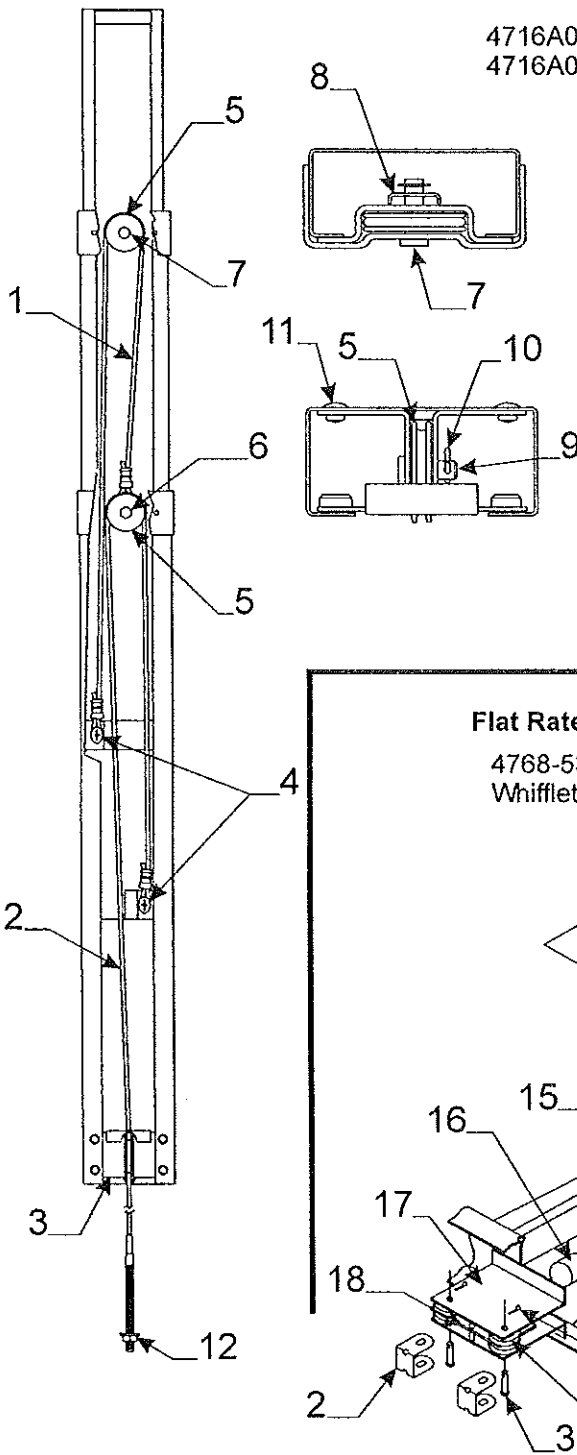


Flat Rate	Code	Part #	Description
.15	1	4716-1951	jack handle kit
.15	2	4716-1981	locking plunger kit
.10	3	4720A3341	snap ring m2
.25	4	4716-1971	jack wheel nut & bolt

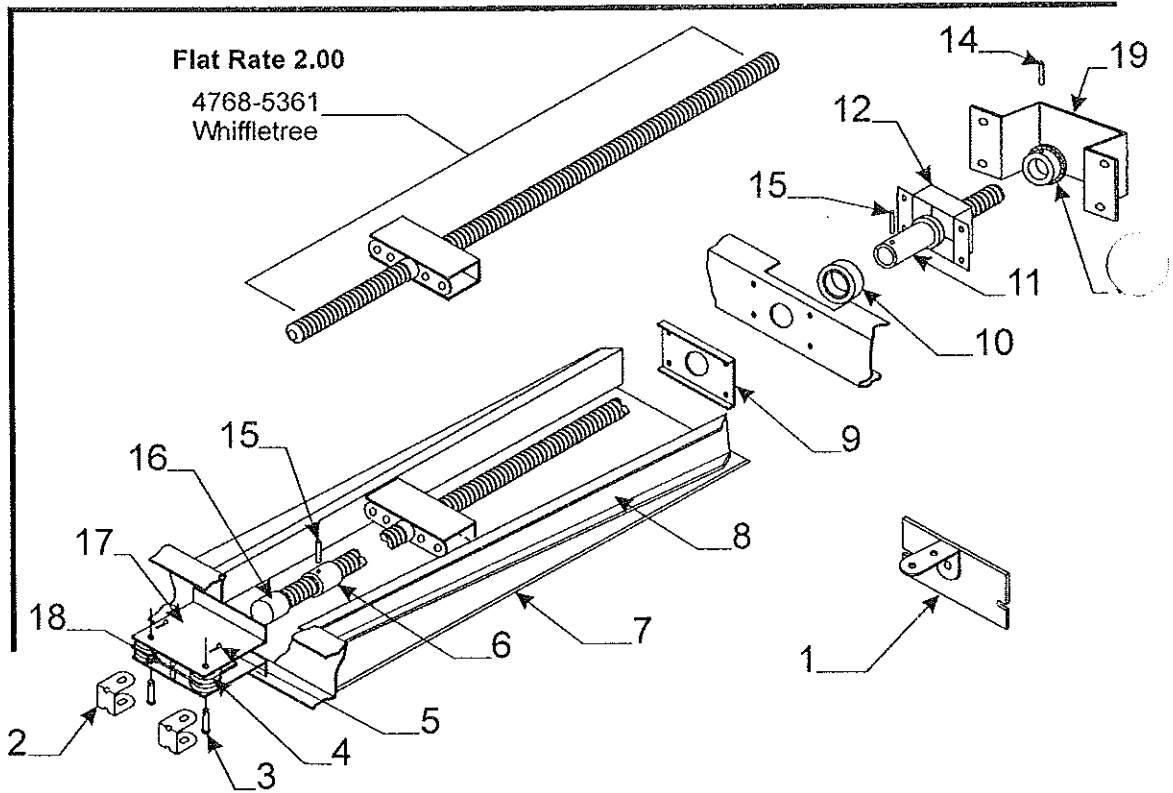
Flat Rate 1.25 Per Lift Assembly

4716A0031 lift assembly roadside rear/curbside front (all)

4716A0041 lift assembly roadside front/curbside rear (all)



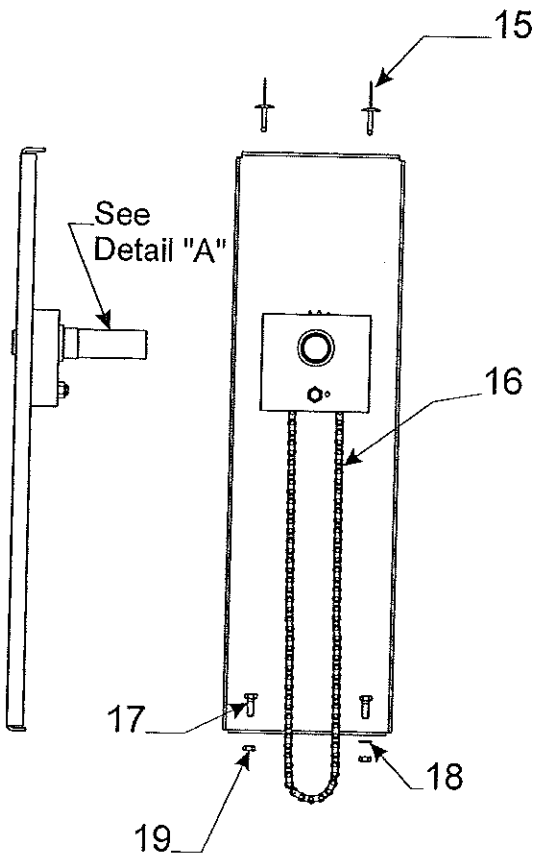
Flat Rate	Lift Assembly Code	Component Part #	Description
.75	1	4720D5271	cable assembly x1 m2
		4720C1691	cable crimp m20
1.25	2	4772-0201	long cable & crimp
		4744-1318	copper cable crimp m10
1.25	3	4731C5801	butterfly bracket assy.
.05	4	4749-2081	screw m6
.50	5	4715A5371	steel pulley & bearing m10
.25	6	4747-8931	long pin x2
		4730B0981	retaining ring m12
.25	7	4749-4061	short pin m4
		4730B0981	retaining ring m12
.25	8	4749A2028	retaining clip
.45	9	4720C1578	lift pin m4
	10	1204B1081	cotter pin m10
	11	1203-8641	rivet m25
	12	1201B6378	1/4" lock nut



Flat Rate 2.00

4768-5361
Whiffletree

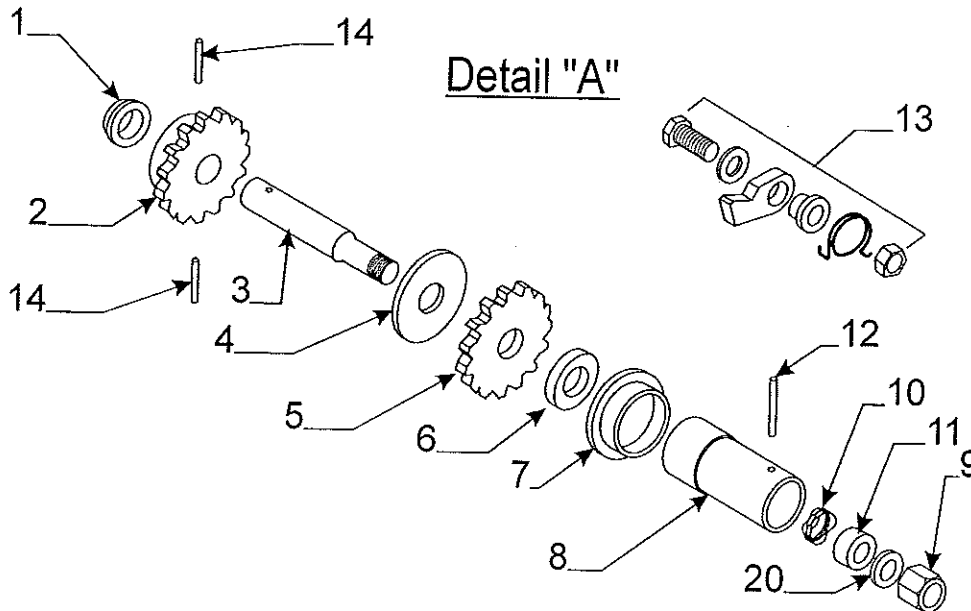
Flat Rate	Whiffletree & Related Parts Code	Part #	Description	Flat Rate	Code	Part #	Description
.15	1	4749A821	mud flap & brkt.	1.50	10	4720B2421	thrust nut bearing
.50	2	4744B1741	cable retainer x2	1.50	11	4720B2388	thrust nut
.20	3	4720J1561	long pin m4	1.50	12	4720B2408	bearing housing
.50	4	4715A5371	pulley & bearing m10	1.00	13	4730B3848	sprocket 12 tooth
.10	5	1204B1081	cotter pin m10		14	4720D1481	roll pin m10
1.60	6	4710C424	bushing	1.00	15	4744A1301	shear pin m10
.25	7	4752B4921	whiffletree pan cover	2.00	16	4730D1291	screw socket (welded)
.25	8	4720F237	pan cover side (welded)	2.00	17	4720-1551	pulley plate
	9	4720C2418	plate	.50	18	4715D5661	pulley spacer
					19	4758A0481	chain cover



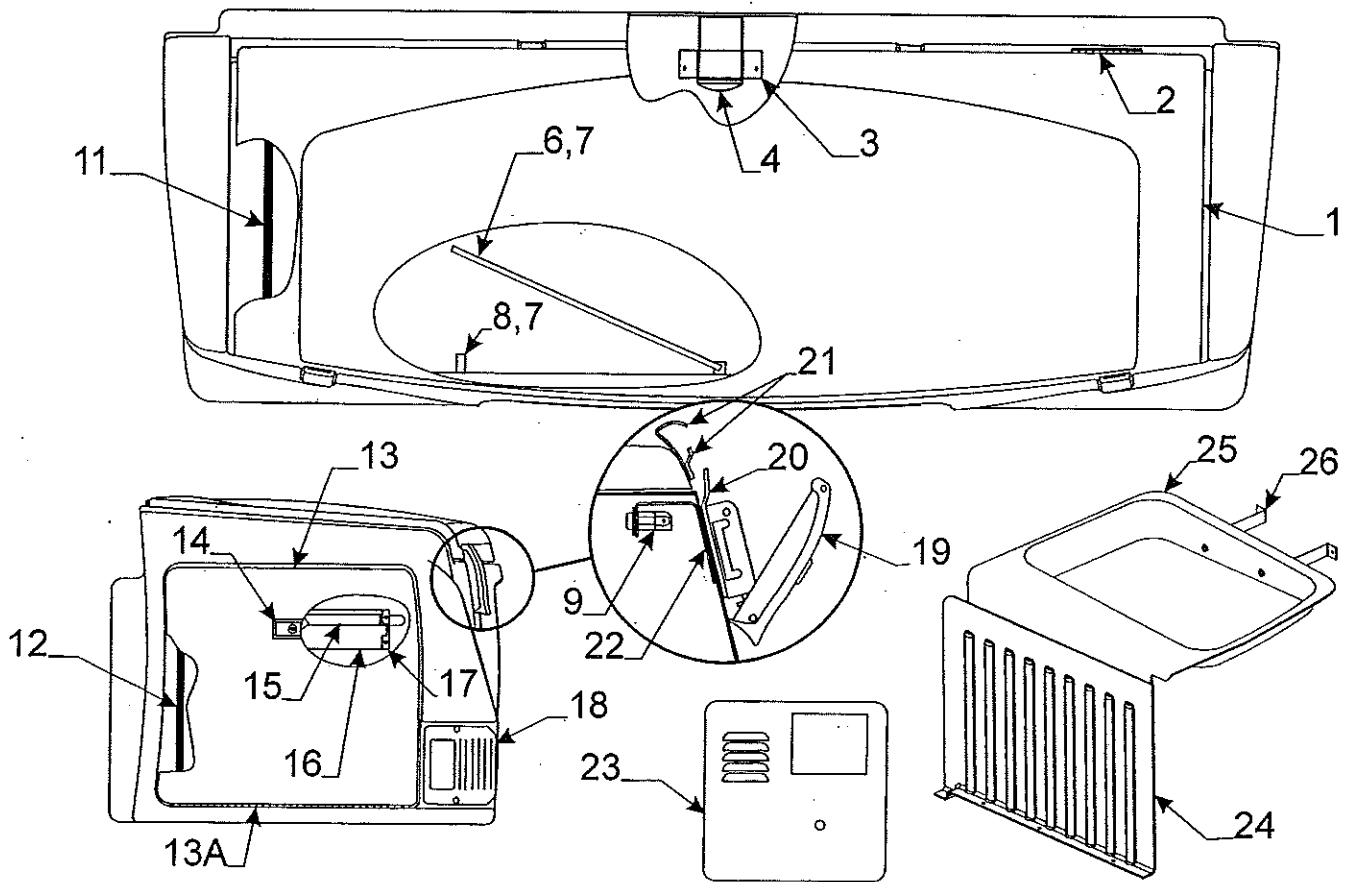
Flat Rate 1.50 complete assembly
4768A6801 crank & sprocket assy.

Flat Rate	Code	Part #	Description
**	1	4751-3501	shaft bushing
**	2	4730C3858	sprocket 22 tooth
**	3	4751-3521	drive shaft
**	4	4751-3561	pressure plate
**	5	4751-4831	ratchet wheel
**	6	4751-3581	pressure washer
**	7	4751A3591	shaft bushing
.75	8	4751-6511	drive hub extension pkg.
Note: package includes parts marked w/asterisk (*)			
	9	*4751-3551	hex head nut
	10	*4752-3921	handle spring m2
	11	*4751-4671	nylon washer
	12	*4747A9451	spiral roll pin m6
.60	13	4716-1221	ratchet pawl package
	14	4720D1481	roll pin m10
		4744A1301	shear pin m10
	15	1203C8721	rivet m25
1.50	16	***4759-8031	chain (w/connecting link)
		4730A3811	connecting link
	17	4731-3878	hex head bolt x2
	18	1202B0438	washer
	19	1201B6038	hex head nut
**	20	*4757-3938	washer

** 1.50 all parts combined



***Revised 9/1/05

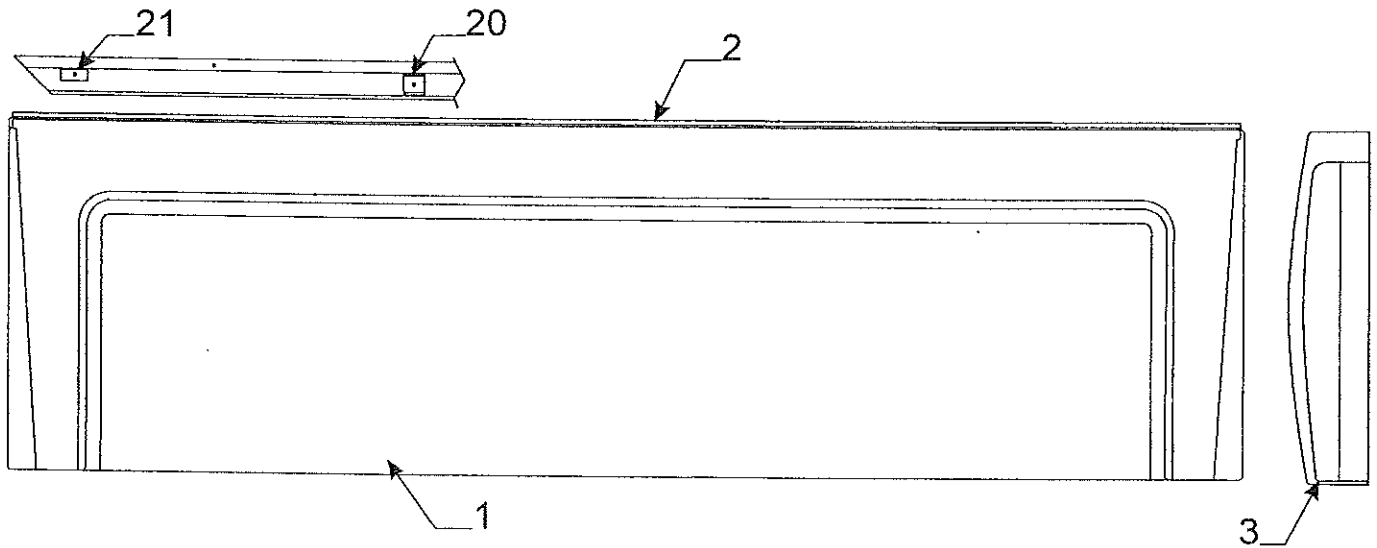


Front Storage Box Assy. - 3981 Utah, 3978 Bayside

1.25 box replacement, add .75 for water heater

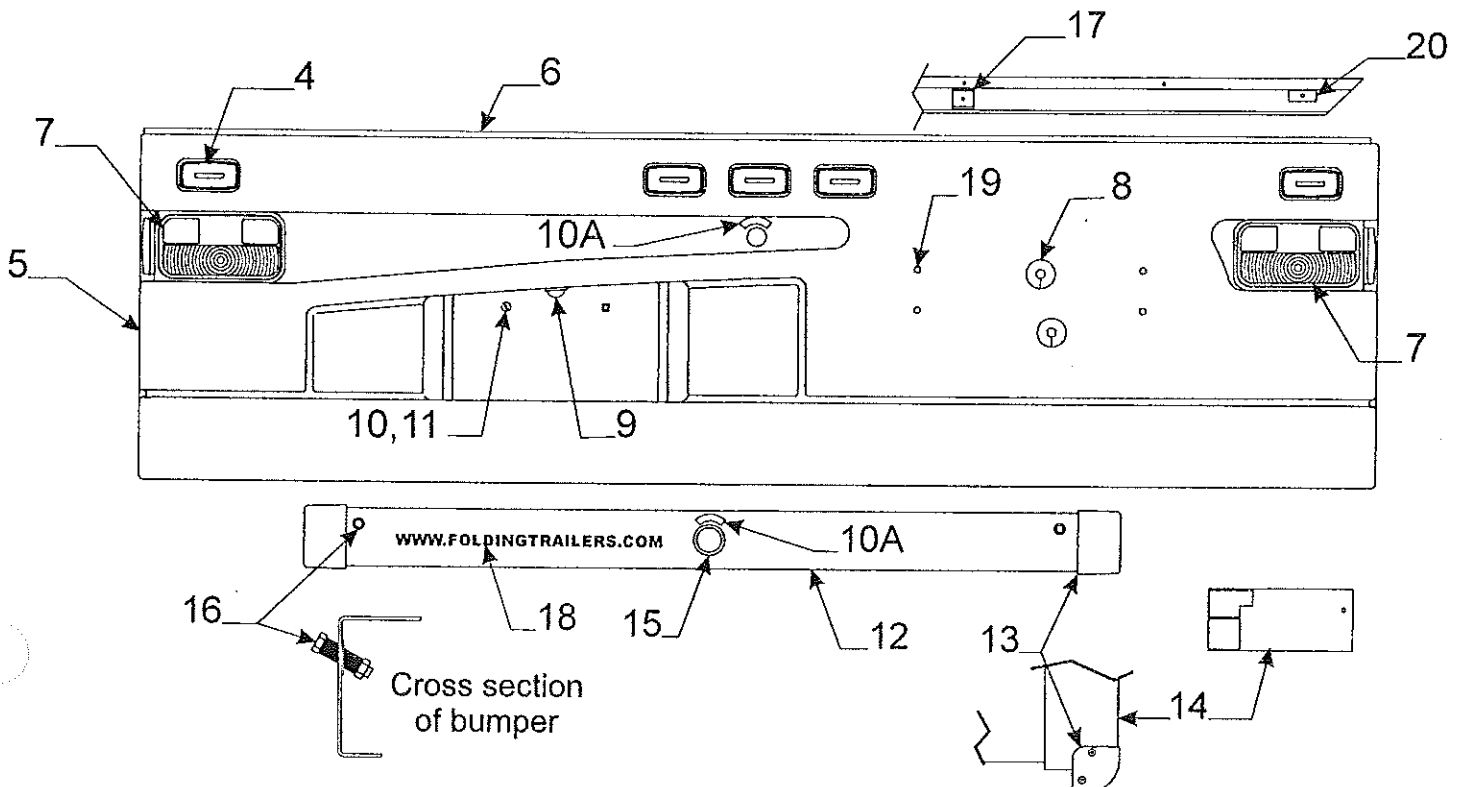
Flat Rate	Storage Box Component Parts	Flat Rate	Storage Box Component Parts
Code	Part #	Code	Part #
.50	1	4758-9861	storage box lid
.20	2	4759A0041	lid hinge x3
		4759-1711	3/8" ss screw m12
		1202E1111	ss washer m12
.50	3	4769-5001	support post assy.
		1203-8831	rivets m25
.25	4	4759-1721	cargo light
		4744C4611	expansion rivet m25
	5	4759-0911	drain plug (not shown)
	6	4751B1181	prop rod
		4751-1208	push nut
		4751C1191	prop rod bracket
.10	7	4734-2431	gripper clip m4
	8	4739B2901	snap cap & washer m12
	9	4759-0381	cargo light on/off switch
	10	4060037501P	3/8" convoluted tubing 10' pkg.
		Note: Tubing covers interior box wire harness	
.75	11	4060000601P	lid seal pkg. (15' pc.)
.20	12	4060000689P	cargo door seal (6' pc. pkg.)
.50	13	4758-9851	cargo door (less hardware)
	13A	4759-0071	cargo door hinge
		4747-2558	expansion rivet m25
		4759-1711	3/8" ss screw m12
.15	14	4730C3111	cargo door lock w/key
		4759-0531	lock seal
		1032E10168	10-24 x1 ss screw x2
		4759-0548	female threaded screw x2
	15	4768-6631	cargo door lock bar assy.
		1202B1068	fender washer
	16	4759-0031	cargo door lock pan "black"
		4747-2558	expansion rivet m25
	17	4759-0371	lock pan angles x2 "black"
		1203-8651	rivet m25
	.15	18	4759-0261
		4716-1001	wraparound marker light amber
		4758-1201	amber lens
		4759-1871	expansion rivet m25
		4350000028P	1/2" black vinyl seal washer m12
			butyl tape 6' pc. pkg.
	.15	19	4759-0191
			lid latch "locking"
		20	4759A0521
			lid stop bkrt. "black"
		4759-0551	flat head tek screw m12
		21	4759-0201
			lid latch strike
		4767-0891	finger pull tab
		4759-0218	strike screw x2
		1201B6958	keps nut x2
		22	4759-0361
			switch bracket
	.25	23	4716A1331
			water heater door "gray"
	.30	24	4759A2681
			water heater cover side
	.30	25	4759A2671
			water heater cover top
		26	4759-2661
			water heater cover brkt.
			4732-1181
			plastic grommet m4
			1121C1618
			screw x2

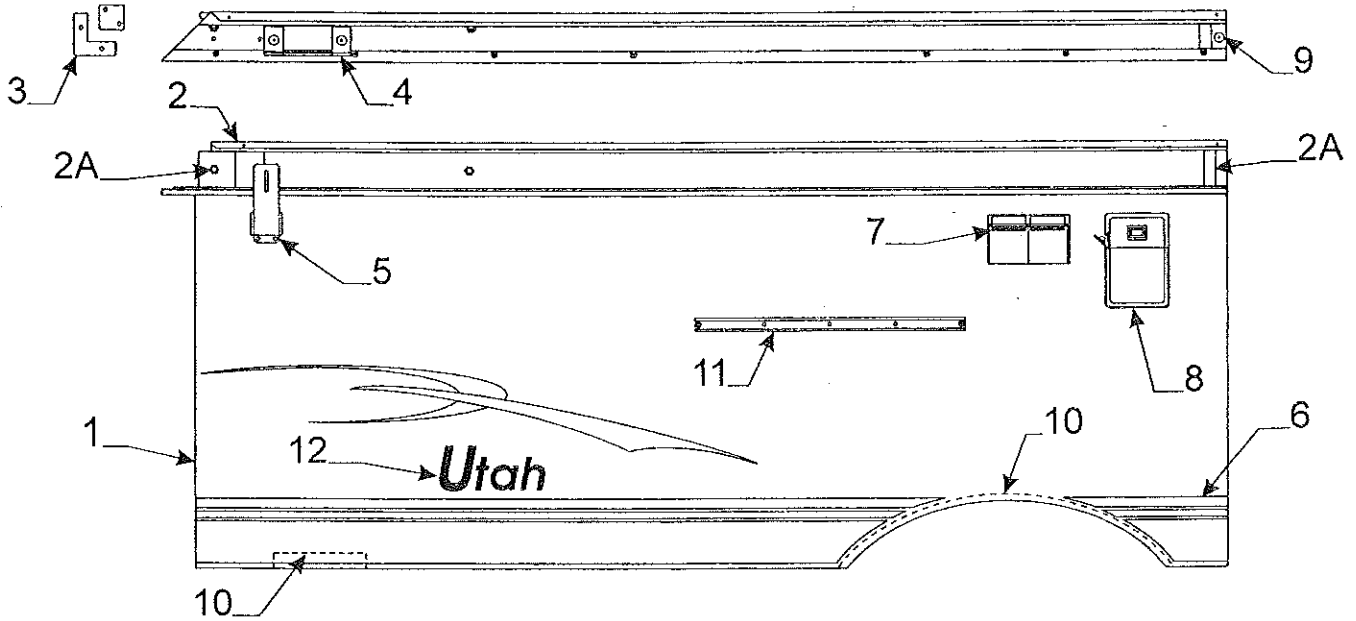
Note: lockable latch used in place nonlocking latch



*** 2.50 Flat Rate Front Panel / 2.50 Rear Panel**

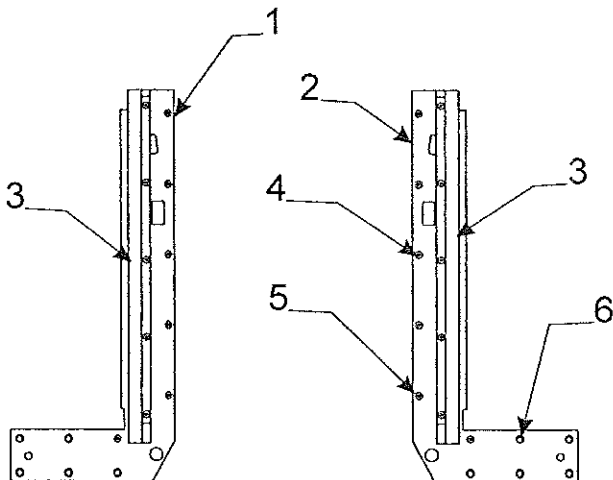
Flat Rate	Code	Part #	Description	Flat Rate	Code	Part #	Description
*	1	4759B0881	frt. body panel	.15	9	4739B4311	tag light
.75	2	4767-2251	end rail	.05	10	4732-1181	plastic grommet m4
		1203-8651	rivet x5 m25	.05		1121C1618	license plate screw x2
.10	3	4716-3931	frt./rr. decal/hardware kit	.10	10A	4730H3188	"open" decal
.15	4	4714J08581	marker light "red"	.10	11	4716N2151	frt./rear decal & hware pkg
		4747-2558	expansion rivet m25	.30	12	4759-1531	4" bumper
		4716A4561	red lens	.10	13	4759-1521	4" cs/rs bumper cap pkg.
*	5	4757B1961	rear panel	.20	14	4759-1501	cs/rs 4" bumper extension
.75	6	4767-2241	rear rail	.10	15	4733-2741	2" grommet
		4758-1141	rivet x5 m25	.25	16	4714-0391	bed leg pin pkg.
.20	7	4749B4321	taillight red x2	.15	17	4754B8921	nylon bed ramp & screw
.10		4716A1061	taillight lens (lens only)	.10	18	4767-0888	www.com decal
		4747-2558	expansion rivet m25	.19	19	4767-0171	plastic hole plug m4
.10	8	4754-3871	foam gasket m2	.15	20	4754A8491	nylon bed rest & screw



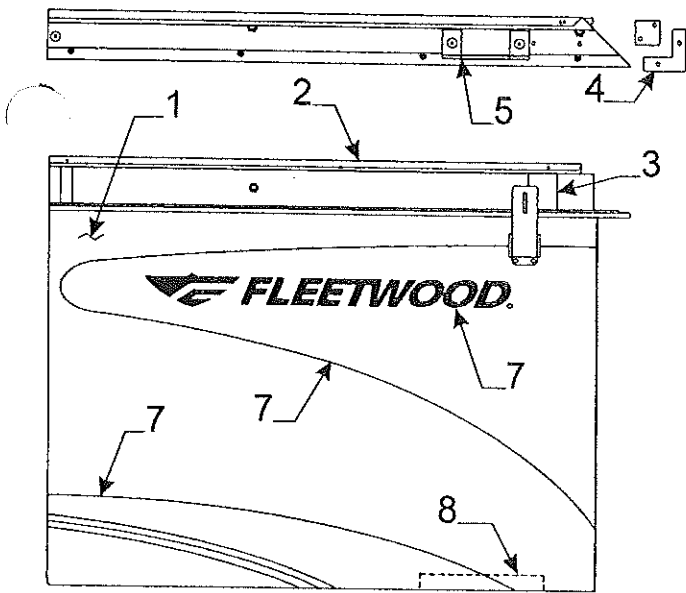


4716S2101 Curbside Trim Tape/Hardware Kit

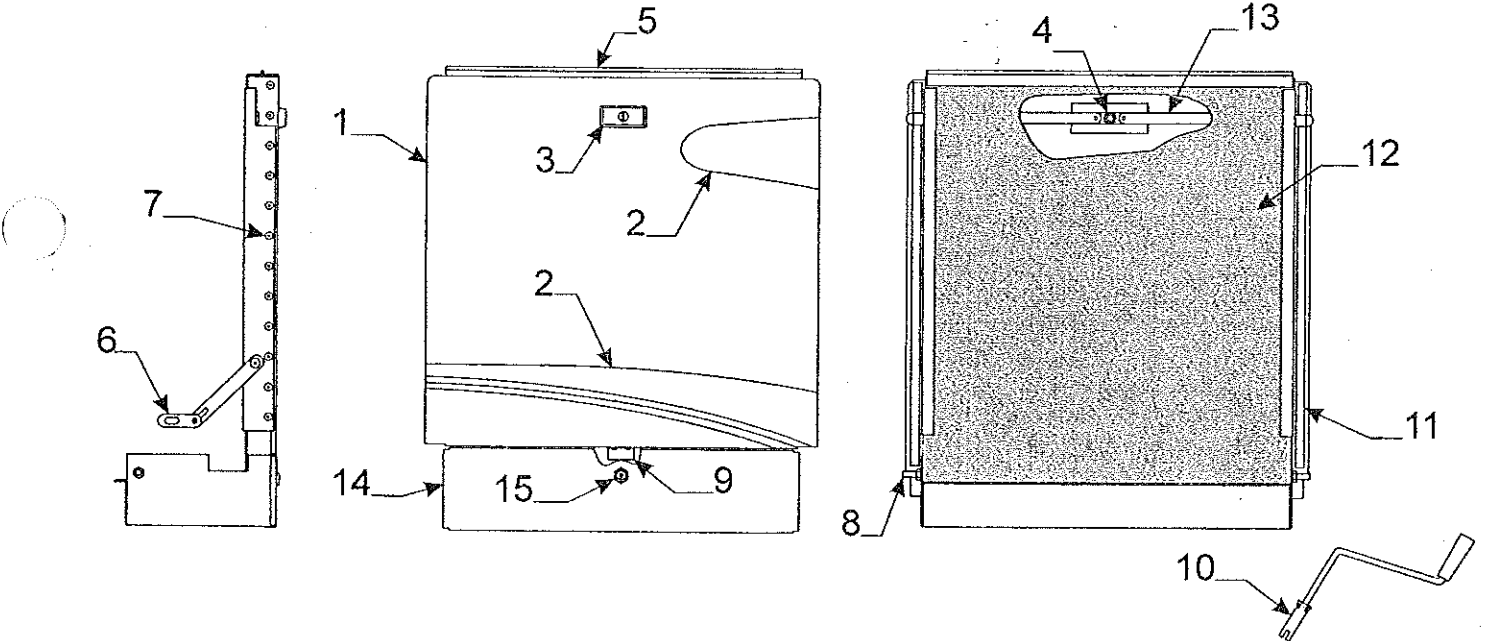
Flat Rate	Code	Part #	Curbside Right Rear Body Pnl. & Components Description	Flat Rate	Code	Part #	Description
1.00	1	4759A1371	csr body panel 3981, 3978	.25	8	4757A1881	porch light
1.00	2	4759B1351	csr body rail 3981, 3978	.10		4716A1881	porch light lens "amber"
.10	2A	4716-2771	vel-stick body rail pkg.		9	4744D3301	rivet m25
.15	3	4716A7061	inner/outer miter cover pkg.m4 Note: pkg. includes rivets	1.25	10	4060050008P	foam tape(12' pkg.)
.25	4	4734D4121	lift trim, rivets & gasket pkg. m4		11	4767-3921	stove support brkt.
		4733-3398	nylon flange bushing x2 per trim			4745-3968	screw
.15	5	4741C6041	top latch w/out lock tab			4744C2461	torx screw m2
		4749-4848	foam pad	.25	12	1201B6958	nut x2
.50	6	4716S2101	trim tape & hardware kit	.25		4755F4738	Utah name decal
.25	7	4746A3861	duplex cover & outlet	.25		4756G3498	Bayside name decal
.35		4746-3871	duplex box			4755F4818	CP decal
		1203-8678	rivet m25 (rivet box to pnl.)				



Flat Rate	Code	Part #	Access Door Bulkheads & Components Description
1.25	1	4768-6821	csf bulkhead
1.25	2	4768-6831	csr bulkhead
.35	3	4745B0811	rubber door seal
	4	1203-8641	rivet m25
	5	1203-8978	countersunk rivet m25
	6	4744A0501	hex head tek screw m25



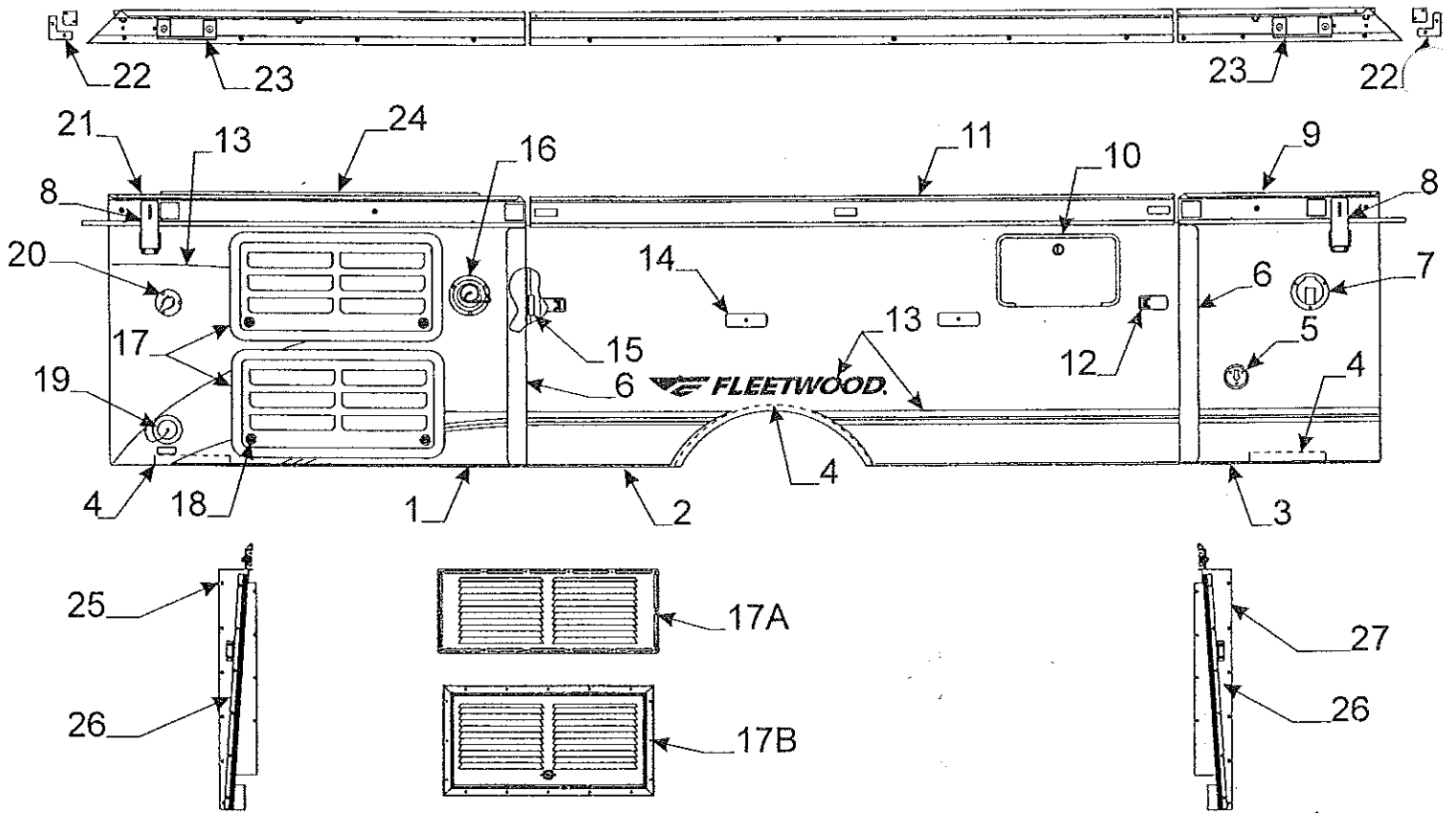
4716S2101 Curbside Trim Tape/Hardware Kit			
Curbside Right Front Body Pnl. & Components			
Flat Rate	Code	Part #	Description
.85	1	4756D4361	csf body panel 3981, 3978
1.00	2	4759A1361	csf body rail 3981, 3978
.10	3	4716-2771	vel-stick body rail pkg.
.15	4	4716A7061	inner/outer miter cover pkg. m4
.25	5	4734D4121	lift trim, rivets & gasket pkg. m4
		4733-3398	nylon flange bushing x2 per trim
.15	6	4741C6041	top latch w/out lock tab
		4749-4848	foam pad
		4350000022F	foam tape (sold/foot)
.50	7	4716S2101	trim tape & hardware kit
	8	4060050008P	1/2" x 1" foam tape pkg.(12' pc.)



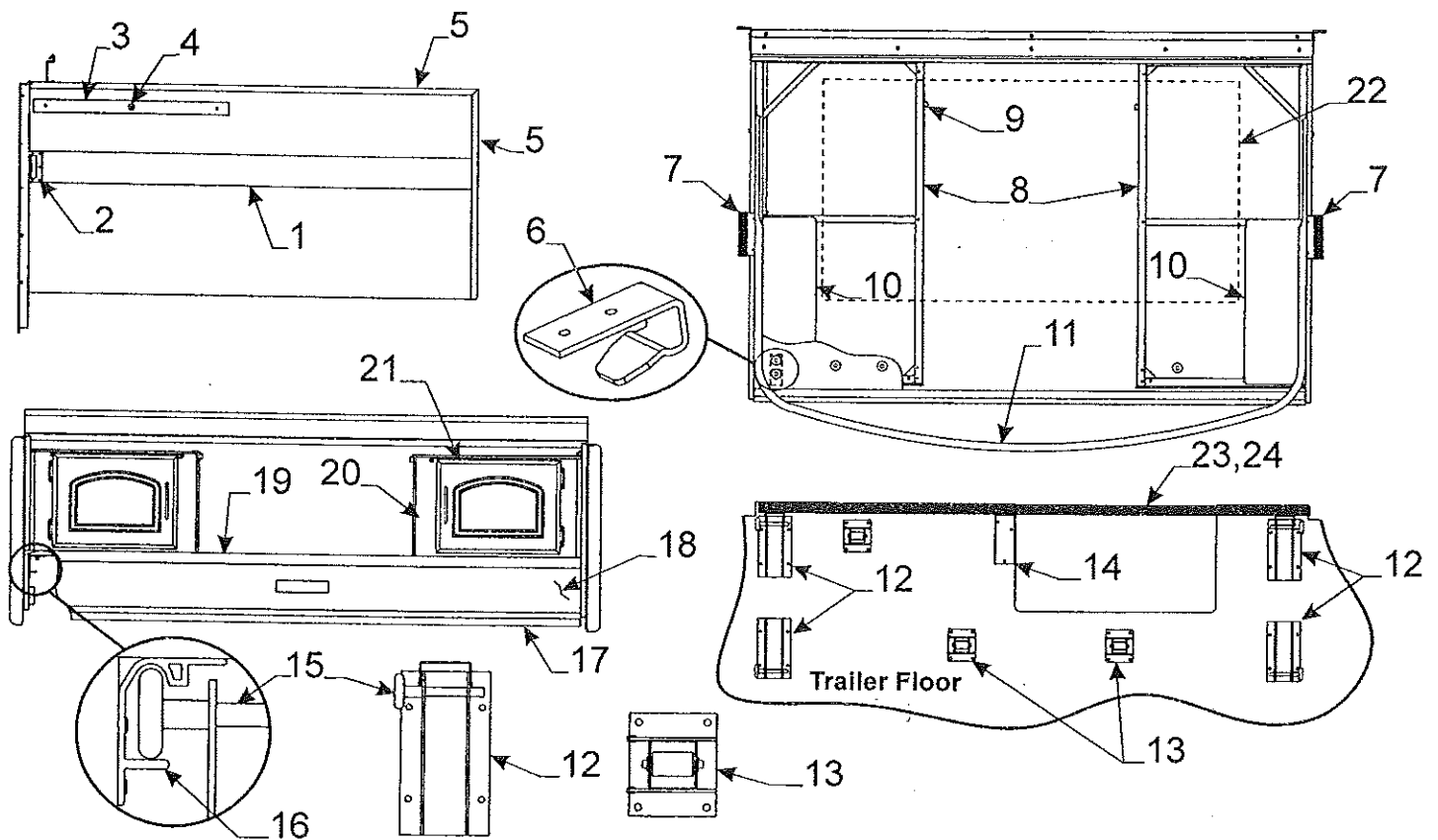
4768-6811 Access Door Assembly "complete" less trim tape

FLAT RATE 1.25 complete door assembly

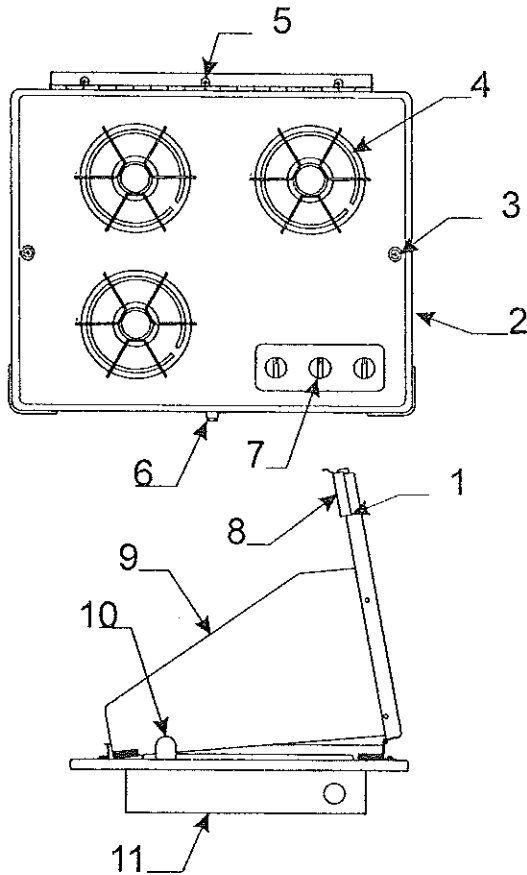
Access Door Component Parts							
Flat Rate	Code	Part #	Description	Flat Rate	Code	Part #	Description
1.00	1	4759-0661	door skin		8	1006B2428	bolt x2
	2	4716S2101	trim tape kit			1201B5188	nut (to affix bolt to door)
1.00	3	4730C3111	lock handle (with key)			1201B6448	nut (affix door to to trailer)
		4716-081	screw x2			1202B0468	washer m10
		1201B6958	keps nut x2	.10	9	4747A2521	latch angle w/rivets
1.00	4	4741-1438	reinforcement plate	.20	10	4747G4141	crank handle
.25	5	4757D9451	access door cap	1.00	11	4060025006P	foam tape pkg. (4' pc.)
		4733D0601	rivet m25	1.00	12	4758B4711	step covering "black flextrud"
	6	4744-6981	swing arm pkg. (w/rivet & washer)	.25	13	4741A6551	lock bar assembly
		1203C8721	rivet m25		14	4754-6921	lower dr. w/hinges - less lock
		1202B0468	washer m10			1203-8951	rivet m25 (affix door in place)
	7	4733G0601	rivet "black" m25	.25	15	4751D8301	lock assembly w/o-ring



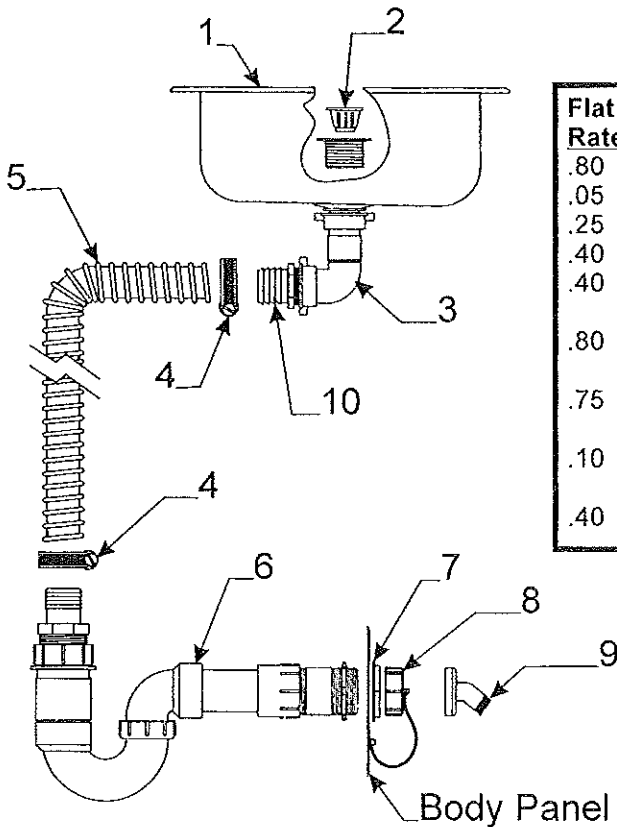
Flat Roadside Left Body Pnl. Components 3981, 3978				Flat			
Rate	Code	Part #	Description	Rate	Code	Part #	Description
1.50	1	4757E0961	left front body panel	.75	15	4756A4171	strike w/screws
1.00	2	4756F6641	glide-out body panel			4756-3251	shim
1.50	3	4756G3291	left rear body panel	.30	16	4731D1711	water tank fill spout
	4	4060050008P	foam tape (12' pc. pkg.)	.50	17	4747D8341	reefer vent "plastic" x2
.25	5	4757A4871	coax outlet	.50	17A	4747D8321	reefer vent "upper" metal
.25	6	4716-8041	angle seal pkg. frt./rr			4745-3968	painted screw arctic wht.
		4060000023P	d-seal pkg. "white" (5' pc.)	.50	17B	4747D8331	reefer vent "lower" metal
.15	7	4733B23361	cable hatch	.10	18	4716-4441	reefer vent clasp m4
		4741-3508	hex head tek screw x3			4714A2861	drain cap & strap
.15	8	4741C6041	top latch w/lock tab	.30	20	4732F1521	city fill
		4741A9101	tek screw m10			4741-3508	hex head tex screw x3
		4749-4848	foam pad	1.00	21	4759A1911	left front body rail
1.00	9	4759B1921	left rear body rail			4716-2771	vel stick - velcro pkg.
		4716-2771	vel stick - velcro pkg.	.15	22	4716A7061	miter cover pkg. m4
		4757-0731	wire grommet & nut	.25	23	4734D4121	lift trim pkg. m4
.25	10	4750C5861	o/s shower complete	.25	24	4737D2231	curtain track
.15		4750A2961	lock assy. w/key			1203-8678	rivet m25
.75	11	4756G1291	glide-out body rail	1.65	25	4759D5031	bulkhead left front
.75	12	4755-4091	latch & gasket	.35	26	4756-3521	seal track "rear"
.50	13	4716S2111	trim tape & hardware pkg.	.35	26	4756-3521	seal track "front"
.75	14	4756-1181	pull handle			4064700589P	side seal pkg. (8' pc.)
		4738-2608	tek screw "black"	1.65	27	4759D5041	bulkhead left rear



Flat Rate	Glide-Out Code	Components Part #	3981, 3978 Description
.50	1	4756-8471	ABS ware strip x2
.15	2	4756-2171	lock boot w/cover plate x2
.25	3	4754-3811	vel-stick (must cut to size)
	4	4730A3548	stud w/screw x2
.20	5	4756C1461	U-channel 48" pc.
	6	4756-1201	glide-out catch x2
.10	7	4756-1151	5 1/2" brush seal x2
	8	4759A6021	glide-out bench frames x2
	9	4724-2608	stop button "plastic"
.40	10	4756B6131	metal flip-up backrest x2
.10	11	4756C2071	glide-out tent bow
	12	4756-6591	long tower w/face plate x4
	13	4756-6651	short tower roller assy. x3
	14	4756A136	cover support brkt. x1
	15	4756-1161	glide-out roller x4
	16	4756A125	glide-out roller track x2
.50	17	4757-2351	floor sweep
.25	18	4756D6041	wood kick plate assy.
.50	19	4757C2161	edge cap "painted maple"
	20	4714-6951	universal paneling
	21	4756B8921	door panel 12 1/4" x 16"
1.25	22	3568803202P	ware plate "galvanized" 30x55
Note: Plate located on bottom side of floor			
1.25	23	4757B5601	g/o cover plate assy. "black"
.20	24	4756-2651	3/4" wht. L- channel 48" pc.

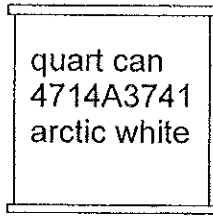
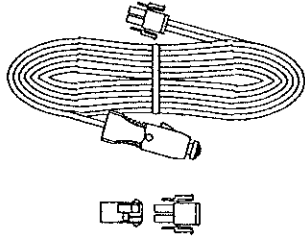


Stove Component Parts (Upper Galley Assy.'s)			
Flat Rate	Code	Part #	Description
.15	1	4758A1601	stove cover assy. "black"
.15	2	4763-1461	3 burner cook top "black"
.05	3	4716-2631	stove top screw/washer m2
.05	4	4752A9881	stove grate x3
.10	5	4716A2671	stove cover hinge
.15	6	4733-4018	stove cover latch
.15		4733-4028	stove cover strike
.05	7	4716A1861	knob
	8	4732A2291	edge molding m2
.25	9	4716A2651	stove fin "black"
.15	10	4716A2641	stove fin stay brkt. m2
.75	11	4763-1451	3 burner stove box

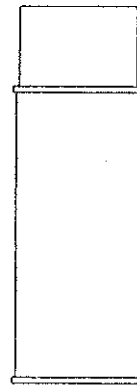


Sink & Component parts			
Flat Rate	Code	Part #	Description
.80	1	4745E2801	sink "black porcelain"
.05	2	4714C0661	crumb cup "only" (wht. threaded)
.25		4730E3151	crumb cup & basket
.40	3	4757-0861	elbow, nut & washer
.40		4757-9131	black rubber washer
	4	4715-4501	1 1/4" hose clamp
.80	5	4060012503P	1 1/4" drain hose pkg. (10' pc.)
Note: must cut hose to length			
.75	6	4758C5431	drain trap assy.
	7	4757-0921	1 1/2" metal nut "white"
.10	8	4714A2861	cap & strap
	9	4737-9138	drain adapter
.40	10	4757A0871	adaptor 1 1/4" barb - 1 1/2"

4733D6701 auto extension

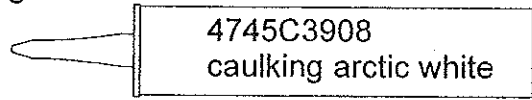


quart can
4714A3741
arctic white



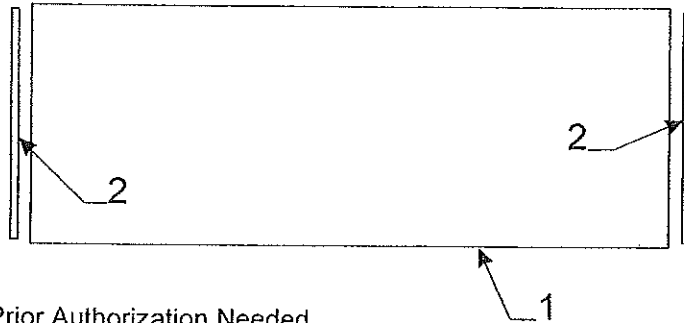
16 oz. spray
0008-2561 arctic white
0008-2571 black
0008-2641 black textured
0008-2681 windsor birch

4716A4701 12 volt cap & plug m2



4745C3908
caulking arctic white

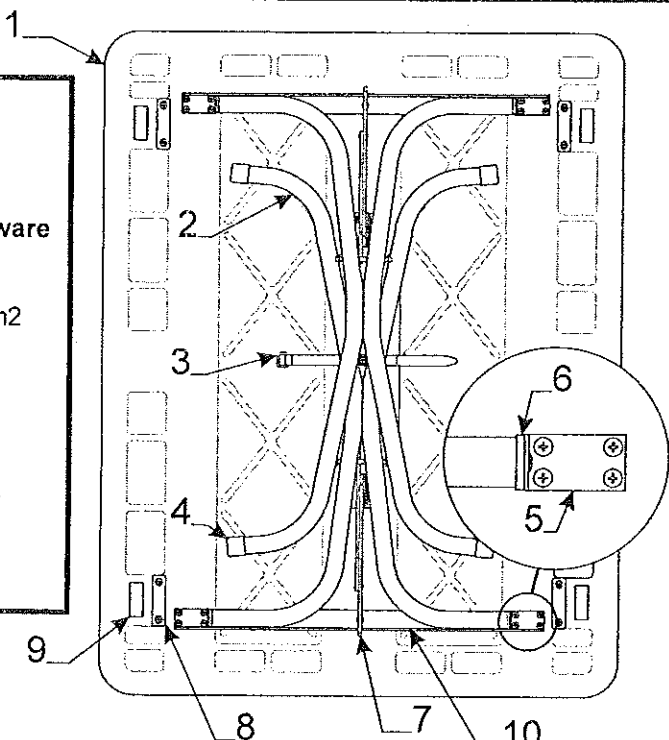
4767-4608
TPO caulking arctic white

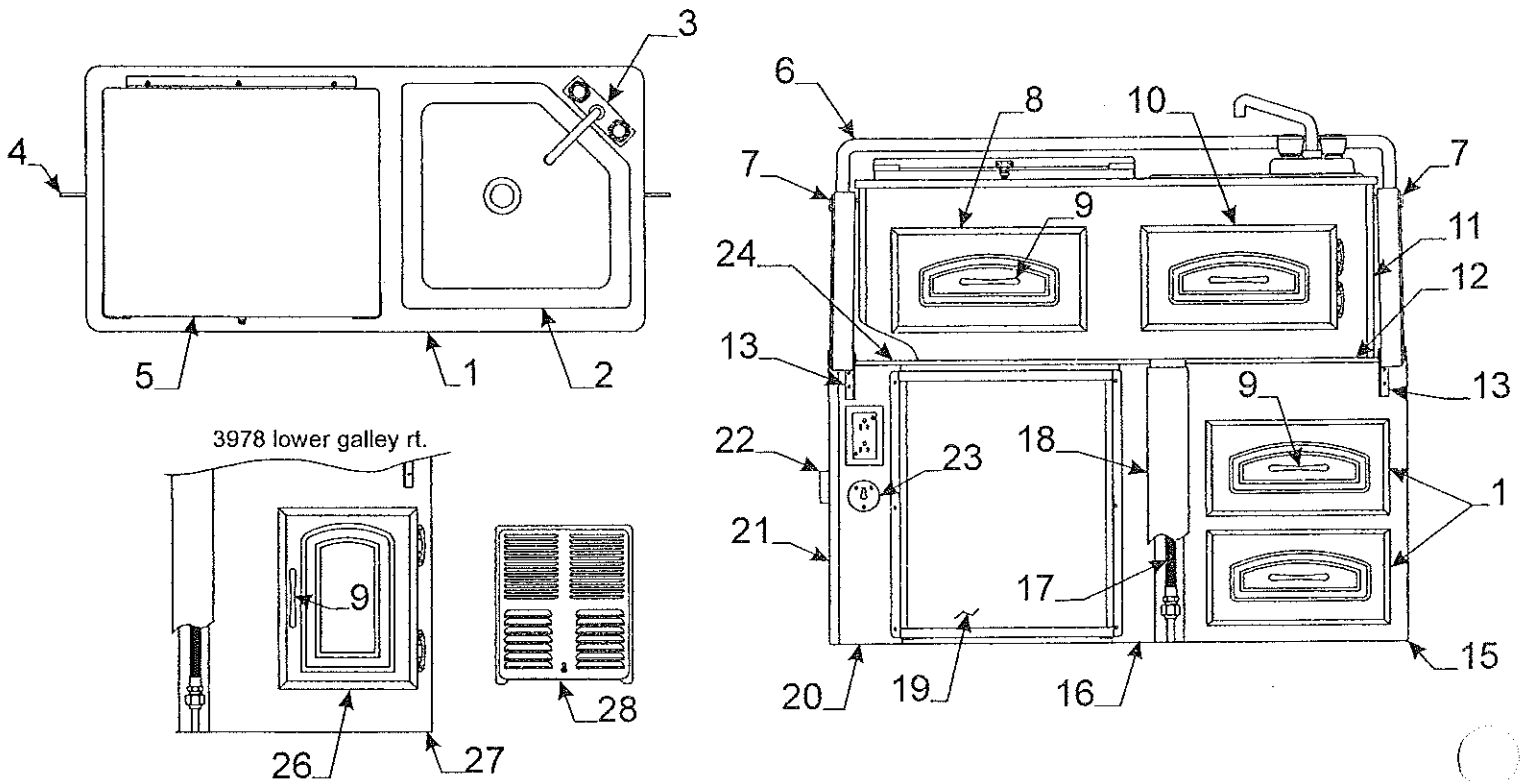


* Prior Authorization Needed

Flat Rate	Paneling & Trim (Must Cut To Size)		
	Code	Part #	Description
*	1	4757C3301	universal wall panel 80" x 23 13/16"
*	2	4060400380P	universal corner divider m2 48" pc.

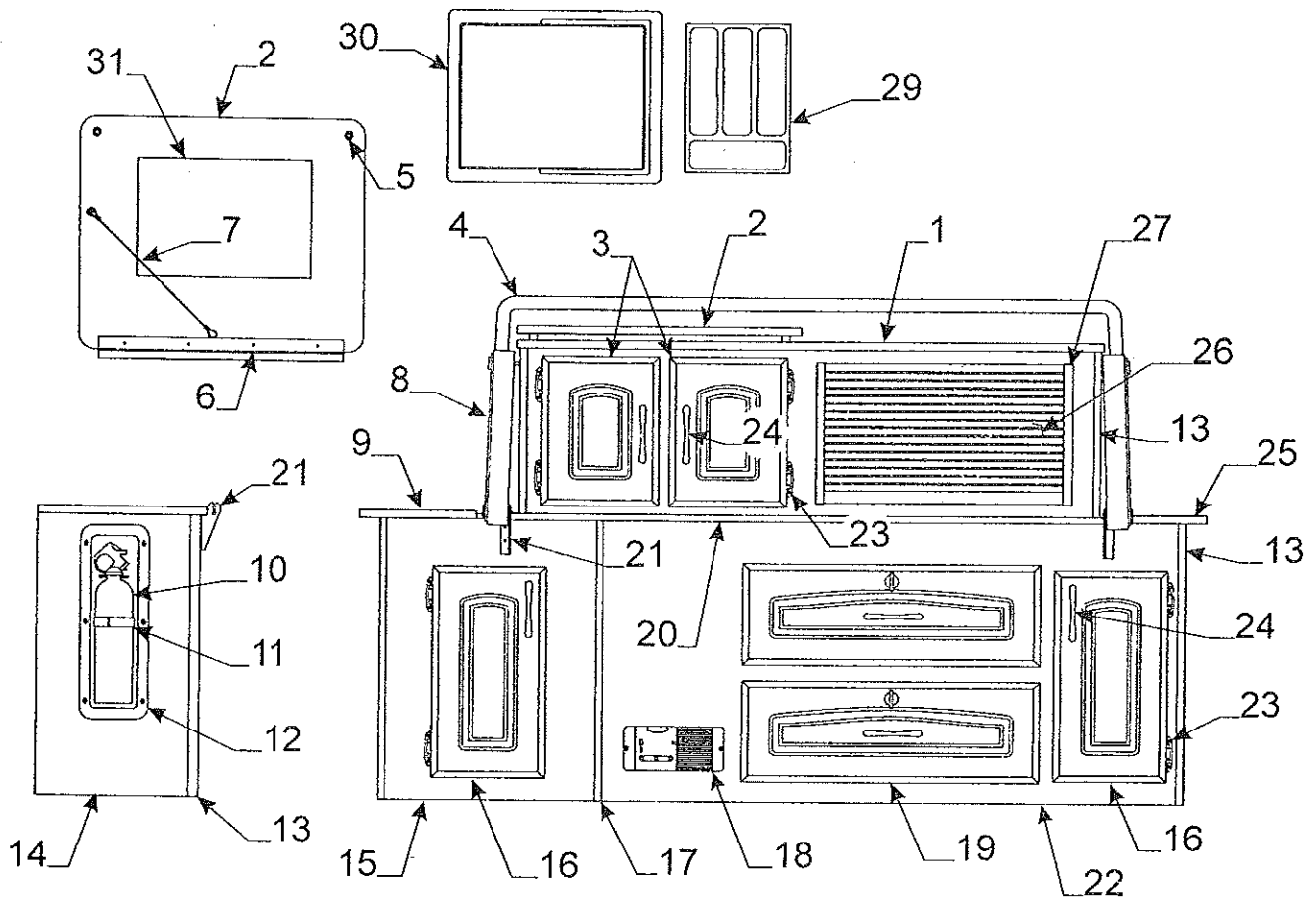
Flat Rate	Dinette Table Assembly Components		
	Code	Part #	Description
.50	1	4759-4361	table top "plastic"
.50	2	4745K5271	table leg package
Note: pkg. includes 2 legs & required mounting hardware			
.10	3	4751A9711	strap & screw pkg.
	4	4752-0551	white plastic cap m2
.15	5	4720F1211	table leg mounting brace m2
		1103E1018	5/8" wood screw
.15	6	4752A0561	table leg insert cap m2
		4747-2558	expansion rivet m2
.25	7	4744-6971	lock brace assy. x2
		1103E1018	5/8" wood screw
.15	8	4756-8741	table top plastic spacer m4
		1103B08148	7/8" screw (x2 per spacer)
.05	9	4724D2631	velcro fastener m4
	10	4759-9601	table brace brkt. x2





* Add .50 With Furnace

Flat Rate	Upper/Lower Galley Code	Part #	Description	Flat Rate	Code	Part #	Description
1.25	1	4752P9071	galley top	1.00	12	4767-3311	lower galley top lt.
.30		4060475004P	t-molding pkg. (12' pc.)	.60	13	4716A1821	lower galley brkt. pkg.
.80	2	4745E2801	sink "black porcelain"	.15	14	4756B8991	drawer frt. 8" x 13"
			Note: refer to page 12 for sink components	.10		4768A5961	drawer assembly
1.00	3	4745E2741	mixer faucet			4755-4481	cutlery tray
.75	4	4756A6631	upper galley pivot brkt. (lt. & rt.)	1.00	15	4756K0521	lower galley frt. rt. 3981
		4734E1861	rivet "elm" m25	1.00	16	4755F4641	lower galley frt.
	5		Note: refer to page 12 for stove components	.25	17	4753-5581	flexible gas hose
1.00	6	4756G1511	galley lift bar	.25	18	4750G6731	filler assembly
		4744-6321	chain assy x2 per bar	.25	19	4714-6951	wood panel insert
.15	7	4757C1911	plastic chain cover (left)	1.00	20	4754J3281	lower galley frt. rt.
		4757C1921	plastic chain cover (right)	.75	21	4756C0011	seat gazoodi
.15	8	4758A4831	drawer panel 15 5/16" x 10"	.30		4060400091P	lipped t-molding 12' pc. pkg.
.10		4758F6741	drawer assy.		22	4755B8201	nylon block
.15		4767-3601	chrome thumb turn lock		23	4757A4871	coax outlet
.10	9	4755B2681	door pull w/screws	1.00	24	4767-3071	lower galley top lt.
.15	10	4758A1421	door pnl. 15 5/16" x 10"	.20		4746C0971	kill switch m4
		4755-4471	spice rack (plastic)	.10	25	4060175000P	1/2" x 3/4" trim angle 6' pc.
		4733-6391	latch & strike pkg.	.15	26	4772A1231	door pnl. 12" x 9"
.10		4762-4878	door hinge	.75	27	*4754E8341	lower galley frt. rt. 3978
.65	11	4716D0151	3/8" f-channel 24" pc.	.15	28	4743-3551	furnace grill



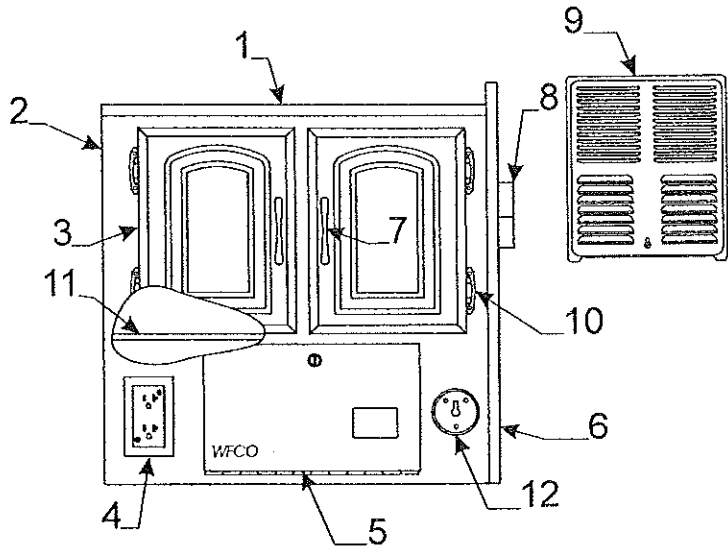
* Add .50 With Furnace

Curbside Swing Level Cabinet Components - 3978

Bayside

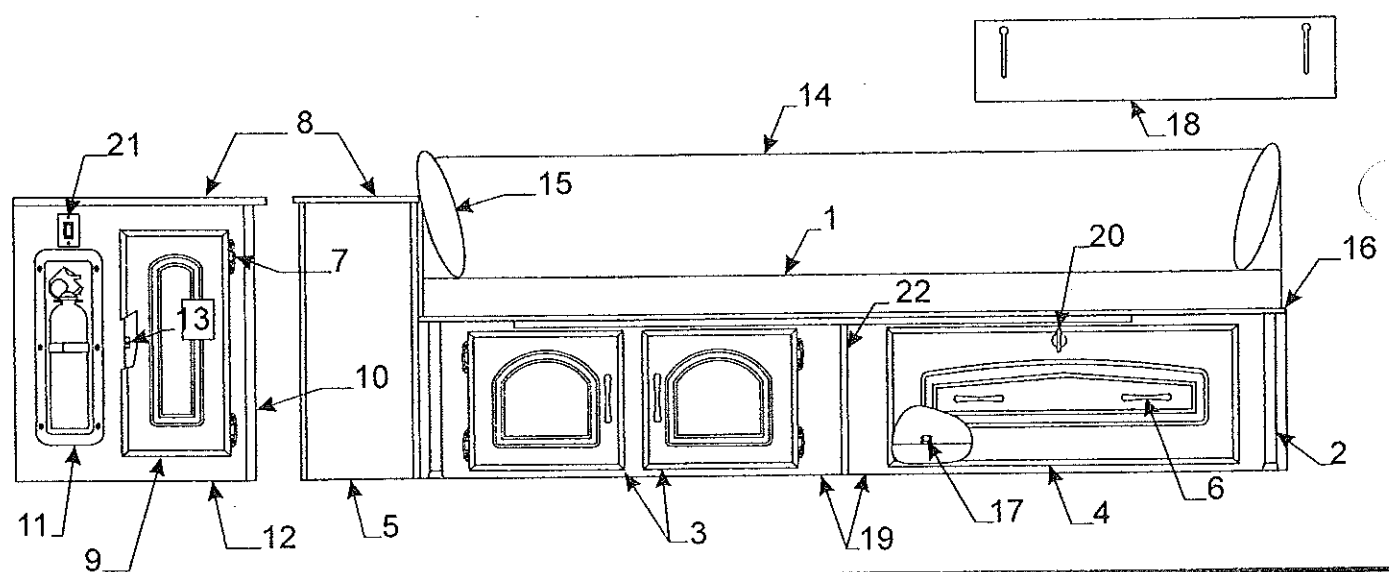
Flat

Rate	Code	Part #	Description	Flat Rate	Code	Part #	Description
1.25	1	4767-2911	cabinet top	.15	16	4767-2901	door panel 8 3/4" x 16 3/4"
.30		4060475004P	t-molding pkg. (12' pc.)	.50	17	4733-6391	latch & strike pkg.
.50	2	4767-2921	lift up board assy.	.25	18	4767-289	panel connector
.15	3	4767-2971	door pnl. 9 1/8" x 11 3/4"	.15	19	4753-9171	lp gas detector
1.00	4	4756C4071	lift bar	.10		4767-2991	drawer frt. 22 3/4" x 7 3/4"
		4744-6321	chain assy. x2 per bar	.15		4755-7211	drawer assembly
.05	5	4724-2608	stop button x2	.15		4767-3601	chrome thumb turn lock
.15	6	4767-293	hinge	1.00	20	4767B2841	lower cabinet top
	7	4755-7181	stop cable	.20		4746C0971	kill switch m4
.15	8	4757C1941	plastic chain cover (left)	.60	21	4716A1821	lower cabinet brkt. pkg.
.15		4757C1951	plastic chain cover (right)	1.00	22	4767B2801	lower cabinet frt. rt.
.25	9	4767B2831	cabinet top	.10	23	4762-4878	door hinge
.30		4060475004P	t-molding pkg. (12' pc.)	.10	24	4755B2681	door pull w/screws
		4747-8941	black plastic cap m2	.75	25	4767A2821	cabinet top lt.
.10	10	4737A5558	fire extinguisher	.75	26	4767-2981	roll top sliding door
.05	11	4716-1191	fire extinguisher strap m2	.10	27	4060175000P	1/2" x 3/4" trim angle 6' pc.
.15	12	4737B4198	recessed mount	.75	28	4756A6631	pivot bracket
		4738-3088	screw x6			4734E1861	rivet "elm" m25
.65	13	4716F0151	3/8" f-channel 24" pc.		29	4755-4481	cutlery tray
.50	14	4767-2861	cabinet side lt.		30	4773-0311	vanity bin (plastic)
1.00	15	4767B2811	lower cabinet frt. lt.	.15	31	4757-0161	mirror

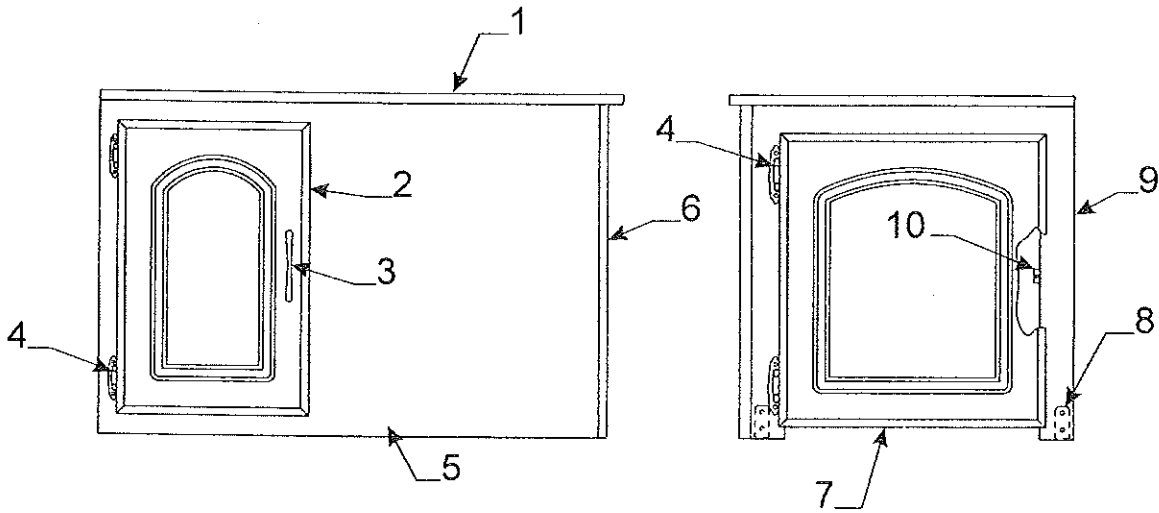


Flat Rate	Code	Part #	Description
.25	1	4756L0081	cabinet top
.30		4060475004P	t-molding (12' pc. Pkg.)
.75	2	4756J0071	cabinet front
.15	3	4772A1231	door panel 12" x 9"
.20	4	4752-2371	20 amp receptacle
1.00	5	4753C8201	converter 25 Amp
1.00	6	4756C0011	gazoodi
.30		4060400091P	t-molding pkg. (14' pc.)
.10	7	4755B2681	door pull w/screws
*	8	4755B8201	nylon block x2
.10	9	4743-3551	furnace grill
.10	10	4762-4878	hinge
.20	11	4755F358	converter cover shelf x2
.25	12	4757A4871	coax outlet

* Prior Authorization from factory needed.

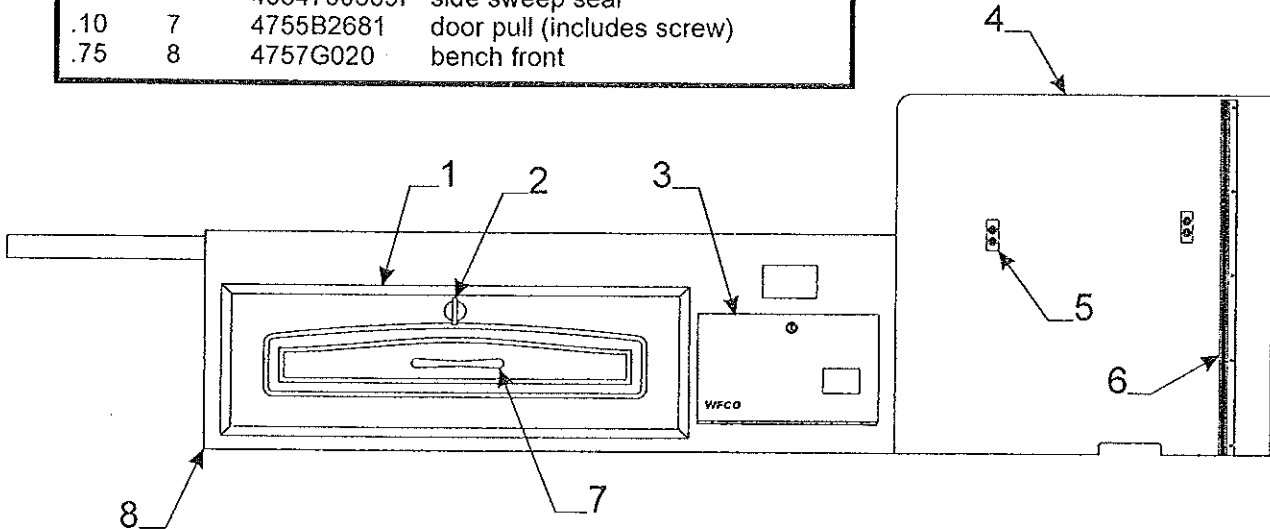


Flat Rate	Code	Part #	Description	Flat Rate	Code	Part #	Description
.10	1	4769A5311	cushion assy.	.65	10	4716F0151	3/8" f-channel (24" pc.)
.25		4714A5311	cushion cover		11	Note: refer to page 15 fire extinguisher	
.25	2	4758B6151	cushion leg x2	.50	12	4754L1621	cabinet side
		4756B1591	rivet m25	.15	13	4733-6391	latch & strike pkg.
.05		4752-0551	plastic cap m2	.10	14	4769A5301	backrest assy.
.15	3	4757A4621	door panel 13 3/8" x 12 1/4"	.25		4714A5301	backrest cover
.15	4	4757B8501	drawer frt. 30 1/4" x 9 1/4"	.10	15	4767-3721	throw pillow
.10		4759B6321	drawer assy.		16	4769B515	pull-out platform w/legs
		Note: refer to page 18 for drawer components		.10	17	4757-8911	drawer roller guide M2
1.25	5	4754L1651	hutch front	.40	18	4759-175	bench top w/slots
.10	6	4755B2681	door pull (includes screws)	1.00	19	4756G8251	bench frt. left
.10	7	4762-4878	hinge	1.00		4767-2281	bench frt. right
.25	8	4756H8241	cabinet top	.15	20	4767-3601	chrome thumb turn lock
.30		4060475001P	t-molding pkg. (14' pc.)	.20	21	4733C4981	rocker switch m4
.15	9	4757A4581	door panel 8 3/4" x 18 1/2"	.20	22	4767-229	panel connector

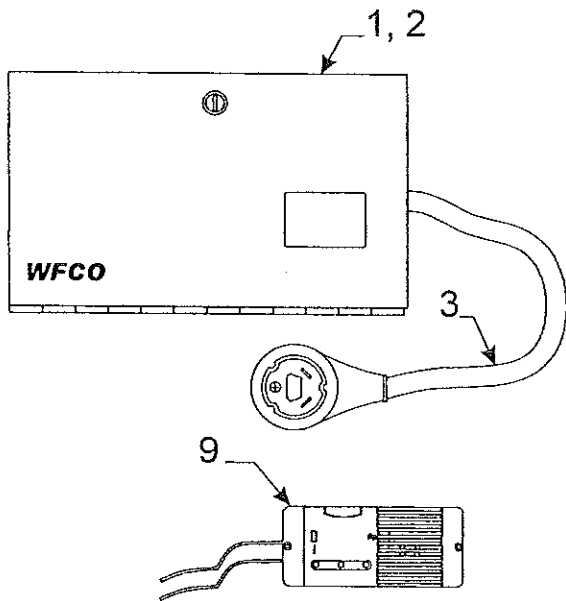


Flat Rate	Code	Part #	Description
.25	1	4756E4701	csf cabinet top
.30		4060475001P	t-molding pkg. (14' pc.)
.15	2	4756B8931	door pnl. 18 1/2" x 12"
.10	3	4755B2681	door pull (includes screw)
.10	4	4762-4878	hinge
.50	5	4756E4671	cabinet front
.35	6	4716F0151	3/8" f-channel 24" pc.
.15	7	4759A1611	door pnl. 18 1/2" x 16 5/8"
.15	8	4734A3851	L-bracket
.30	9	4759A0961	cabinet side
.15	10	4733-6391	latch & strike pkg.

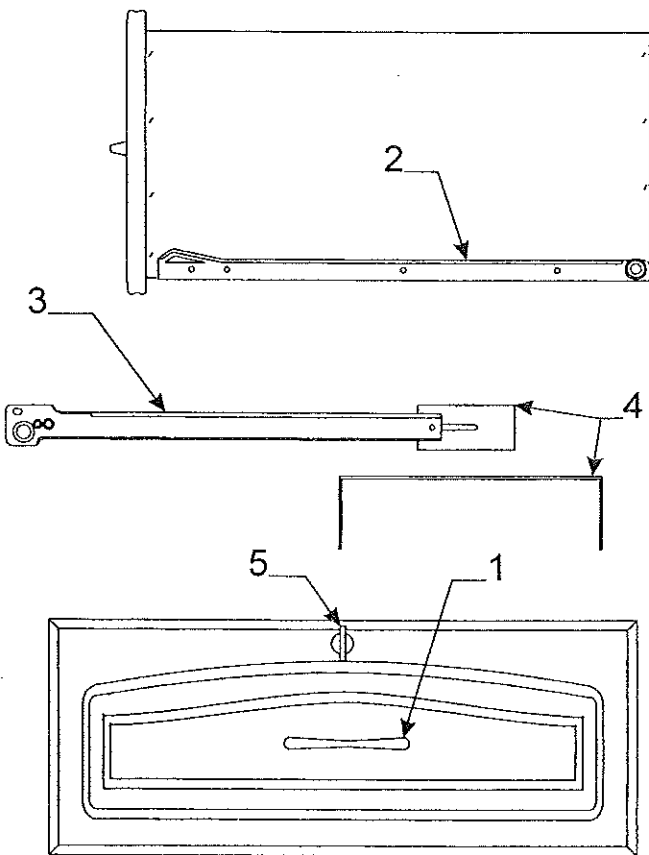
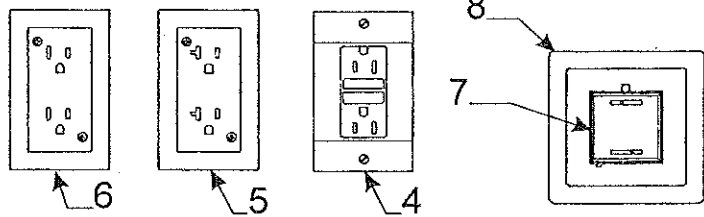
Flat Rate	Code	Part #	Description
.15	1	4757B8501	drawer front panel 30 1/4" x 9 1/4"
.10		4753K5451	drawer assy.
.15	2	4767-3601	chrome thumb turn
1.00	3	4753C8201	converter
1.00	4	4756C0011	gazoodi
	5	4755B8201	nylon block x2
.35	6	4755-411	glide-out seal track
		4064700589P	side sweep seal
.10	7	4755B2681	door pull (includes screw)
.75	8	4757G020	bench front



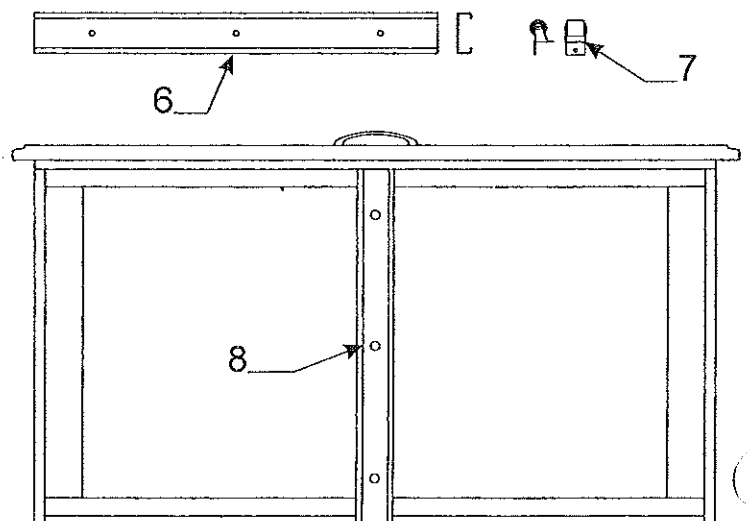
WORLD FRIENDSHIP CO., LTD
 Warranty: 800-900-2468

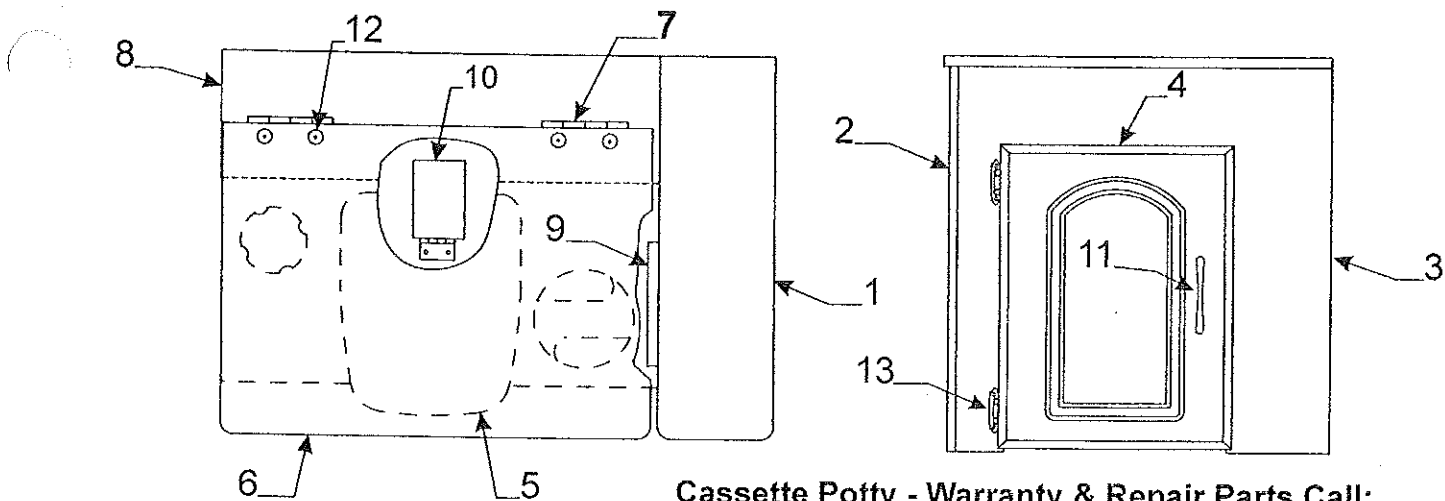


Flat Rate	Code	Part #	Description
1.00	1	4753D8201	converter 25 amp WFCO
.15	2	4716B1301	converter face cover (metal)
.15		4716C1301	converter face cover (plastic)
.60	3	4744A3101	power cord 31 ft.
.35	4	4746B3841	15 amp GFI receptacle w/cover (wht.)
.35		4755-8321	20 amp GFI receptacle w/cover (wht.)
.20	5	4752-2371	20 amp receptacle w/cover (wht.)
.20	6	4752-2361	15 amp receptacle w/cover (wht.)
		4746A3851	receptacle box
	7	4752A8461	thermostat
.20	8	4747-8391	plastic base & bracket
.25	9	4753C9171	lp gas detector



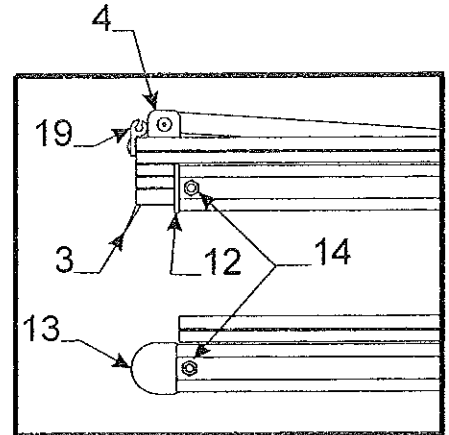
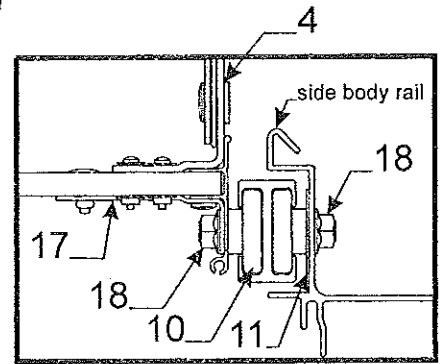
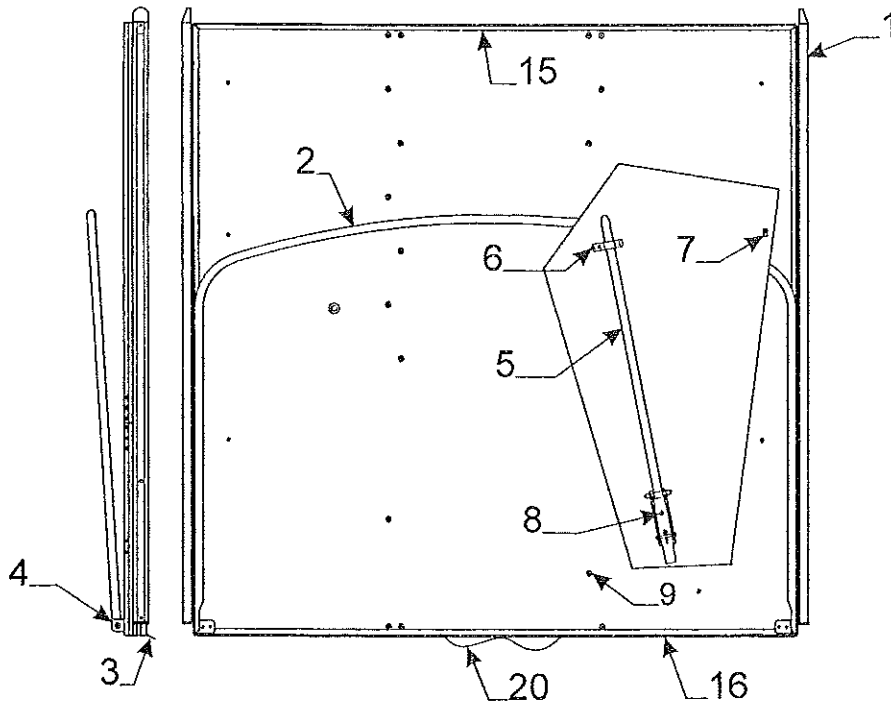
Flat Rate	Code	Part #	Description
.10	1	4755B2681	door pull w/screws
.50	2	4716-8841	16" drawer guide pkg.
.50	3	4716-8911	22" drawer guide/socket set
	4	4758-292	drawer guide brkt. 14"
.25		4758-173	drawer guide brkt. 21 1/4"
.15	5	4767-3601	chrome thumb turn lock
.15	6	4757-8891	17" metal drawer guide
.10	7	4757-8911	drawer roller m2
.25	8	4757-8901	17" pvc i-beam drawer guide





**Cassette Potty - Warranty & Repair Parts Call:
Thetford - Phone # 1-800/354-4135**

Flat Rate	Potty Code	Cabinet Part #	3981 Utah, 3978 Bayside Description
.25	1	4758A3931	cabinet top
.30		4060450003P	t-molding pkg. (12' pc.)
.35	2	4716B1421	5/32" f-channel 24" pc.
.40	3	4751E996	cabinet side (all)
.15	4	4772A1181	door panel 14" x 18 1/2"
.75	5	4746C2461	cassette potty (all)
.25	6	4767A0511	flip-up lid
.30		4060450003P	t-molding pkg. (12' pc.)
.20	7	4750-3921	lid hinge x2
.10	8	4750E3891	wood filler
.15	9	4750C3911	wood lid support rt./lt.
.15	10	4755C6911	flip-up lid prop (metal)
.10	11	4755B2681	door pull w/screws
.05	12	4744D4601	5/8" headed rivet M25
.10	13	4762-4878	hinge



Flat Rate .75 Bed Assy. replacement

- 4759C5831 Front Bed Assy. "Complete" (King)
- 4754-7781 Rear Bed Assy. "Complete" (Queen)
- 4759C5821 Rear Bed Assy. "Complete" (King)

***IMPORTANT:** Rear QUEEN Bed (66") used on units prior to Aug. 12, 2004
Please CHECK The Date Of Manufacturing Before Ordering.

* .50 First Bed Extension
* .25 Second Bed Extension

Flat Rate - Mattress Assy. .10/Cover .50

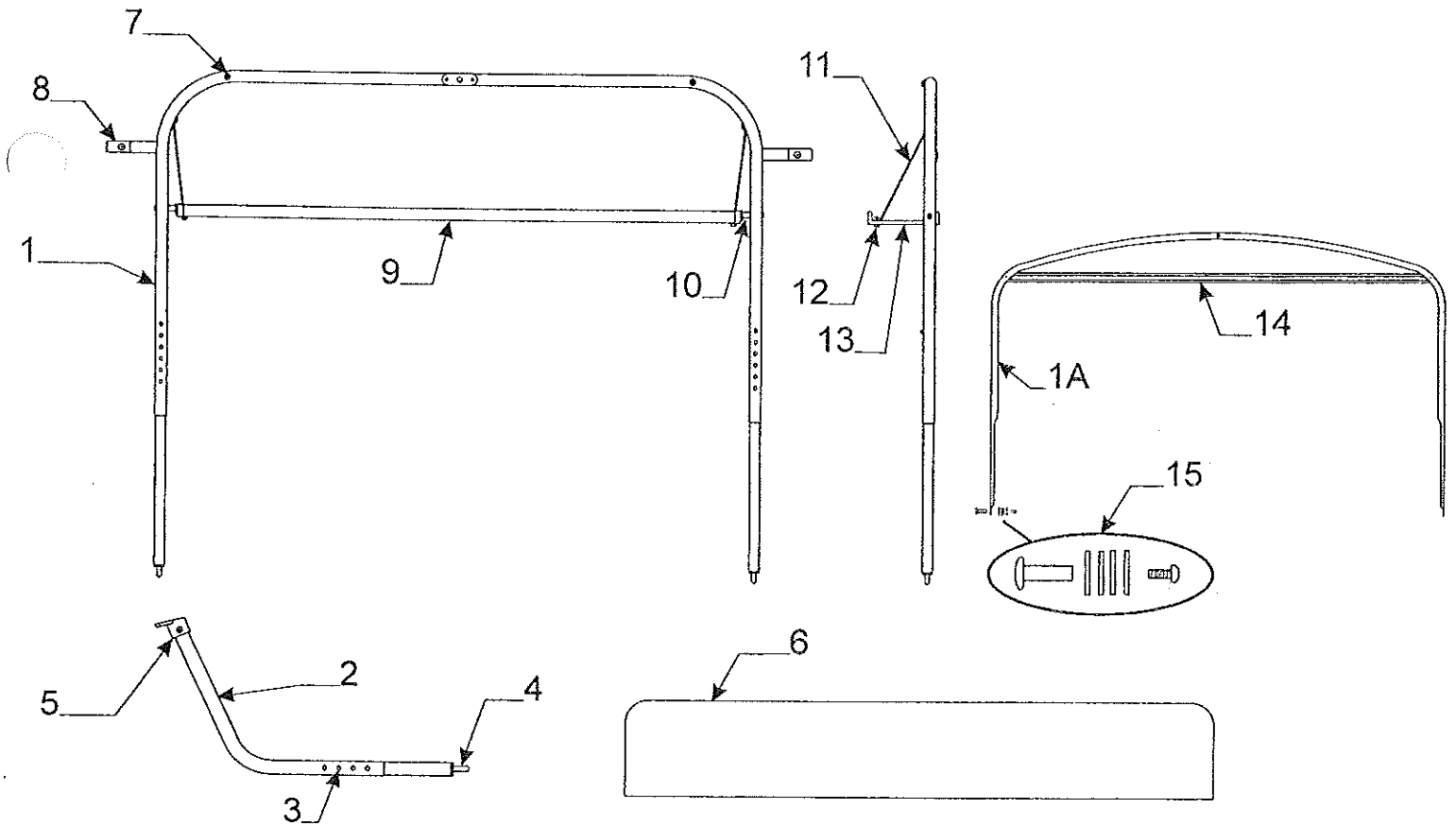
Mattress Assemblies & Covers

<u>King Matt. Assy.</u>	<u>King Matt. Cover</u>
4754J5341	4716J5341
<u>Queen Matt. Assy.</u>	<u>Queen Matt. Cover</u>
4755-7041	4714-7041

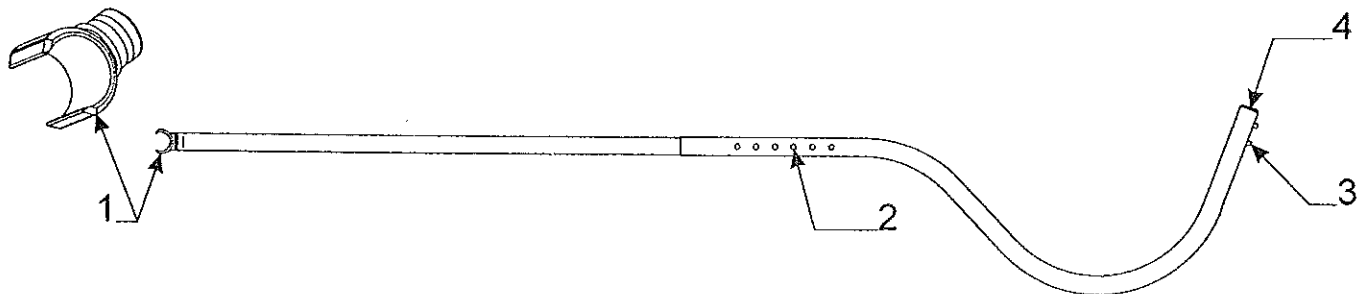
Mattress Size

- King Bed - 77" x 70"
- Queen Bed - 77" x 66"

Flat Rate	Front/Rear Bed Assy. Components	Code	Part #	Description	
*		1	4716U4031	bed extension (x2 per bed)	
	Note: must cut to size if where applicable				
.25		2	4714C1901	tent bow/leg package	
.25		3	4060300339P	vinyl bed seal (8' pc. pkg.)	
.15		4	4720K5631	bed bow bracket m2	
			4757-9241	1 1/2" plastic fender washer m2	
			1203C8721	steel rivet m25 (affix bow to brkt.)	
			1016B10148	machine screw x2 per brkt.	
			1201B6958	wiznut x2 per brkt.	
.30		5	4754-7771	bed leg Assy. (x2 rear "queen" beds)	
.30			4759A5871	bed leg Assy. (x2 rear "king" beds)	
.30			4759A5901	bed leg Assy. (x2 front "king" beds)	
	Note: Individual bed leg pieces NOT AVAILABLE				
.15		6	4757-4331	bed leg clip	
			1203-8831	rivet m25 (rivet clip to bed)	
.15		7	4720D4021	lashing hook m6	
			1203-8741	rivet m25 (rivet hook to bed)	
.20		8	4714-4521	mounting screws (pkg. of 3 each)	
	Pkg. includes screws, washers, plastic caps and washers				
			9	1203C8721	rivet m25
.50		10	4754-8101	bed roller, nut, bolt, & washer pkg.	
			11	1202B2908	washer
.15		12	4754-8631	bed slide end cap	
.15		13	4754-4821	bed slide wedge	
.20		14	1034B16128	flat head screw	
			1201B6378	lock nut	
1.50		15	4758-2631	inside bed frame (king bed)	
1.50			4759-232	inside bed frame (queen bed)	
1.50		16	4758A856	outside bed frame (king bed)	
1.50			4759-233	outside bed frame (queen bed)	
.20		17	4755A2591	bed brkt. w/hardware x4	
			18	4739-2298	lock nut
.50		19	4758-8301	bed end retainer track & rivets	
.20		20	4758-9481	pull-out handle strap & rivets	
			4758-8001	rivet "black" m25	

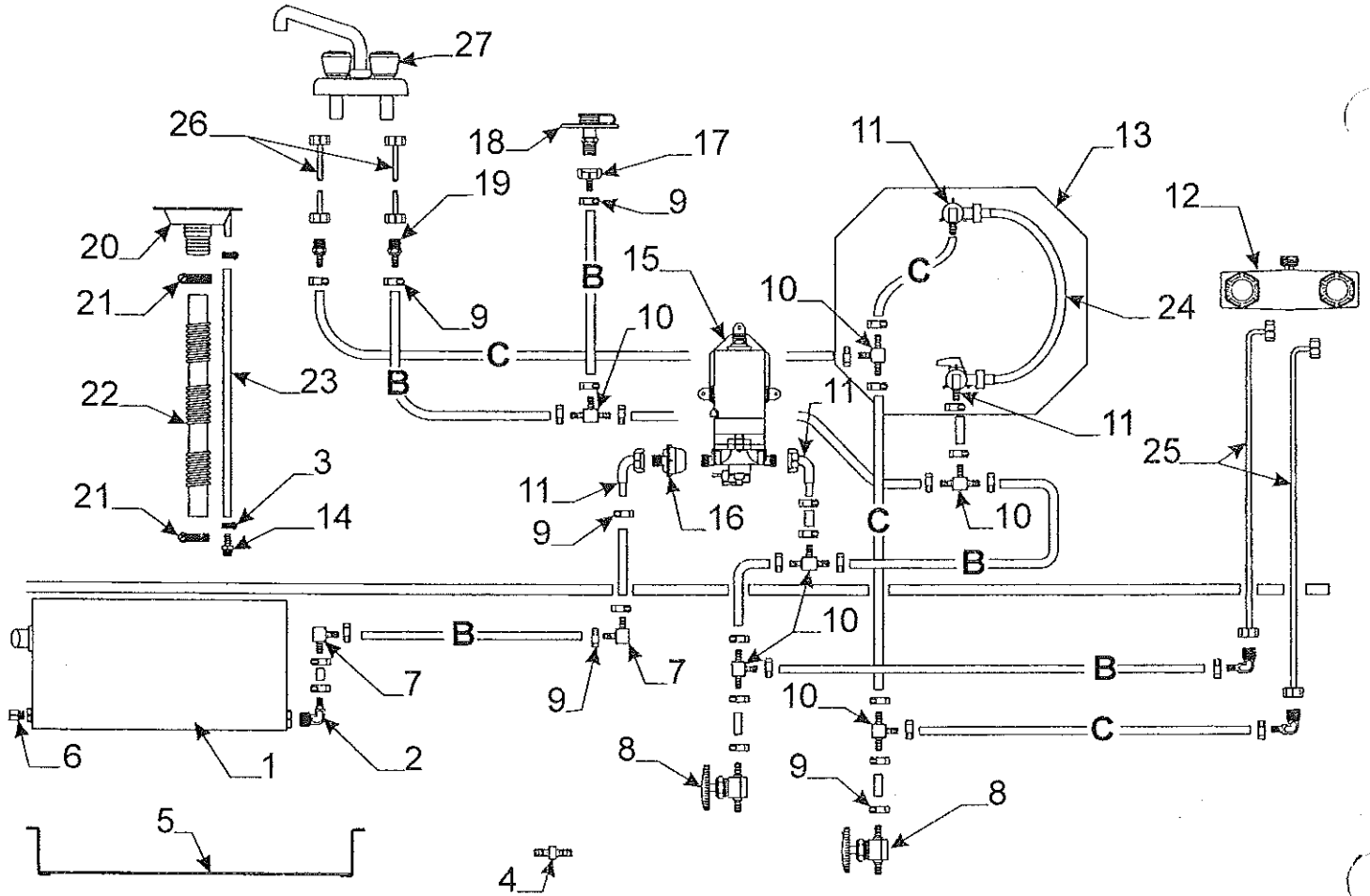


Tip-out/Glide-out Tent Bow 3981, 3978							
Flat Rate	Code	Part #	Description	Flat Rate	Code	Part #	Description
.10	1	4755-7101	tip-out tent bow assy. 3978			4759-8008	lock nut x2
.10	1A	4756A2071	glide-out tent bow 3981, 3978	.10	11	4734G5211	cable assy. x2
.05	2	4754D6761	tip-out tent support 3978		12	1226D1381	snap stud M2
.05		4756C6661	glide-out tent support 3981, 3978			4754-0608	screw x2
.10	3	4734-6708	snap spring			1202B2698	washer x2
.20	4	8470-1728	black pin m10			1201C6448	lock nut x2
.10	5	4757-1351	tent support tip w/screw		13	4757-0941	end cap x2
.10	6	4755-0971	tip-out support board	.40	14	4757A8021	curtain track (Glide-outs only)
.05	7	4730A3548	stud w/screw x2			1203-8951	rivet m25
.05	8	4757-4941	strap x2		15	4716-4451	glide-out bow mounting hardware pkg.
.30	9	4759B6121	shelf assy. w/mounting hardware				
.10	10	4751-3431	nylon spacer m4				
		4744E2468	screw x2				



Tent Support Components			
Flat Rate	Code	Part #	Description
.20	1	4757-4301	tent support clasp m10
.10	2	4734-6708	spring assy.
.10	3	4734A6708	spring assy.
.10	4	4752A0561	tube closure "black" m2

Tent Support Assemblies (Complete)	
Flat Rate .10 per Tent Support	
<u>King Bed</u>	<u>Queen Bed</u>
4772A6021	4772A6021



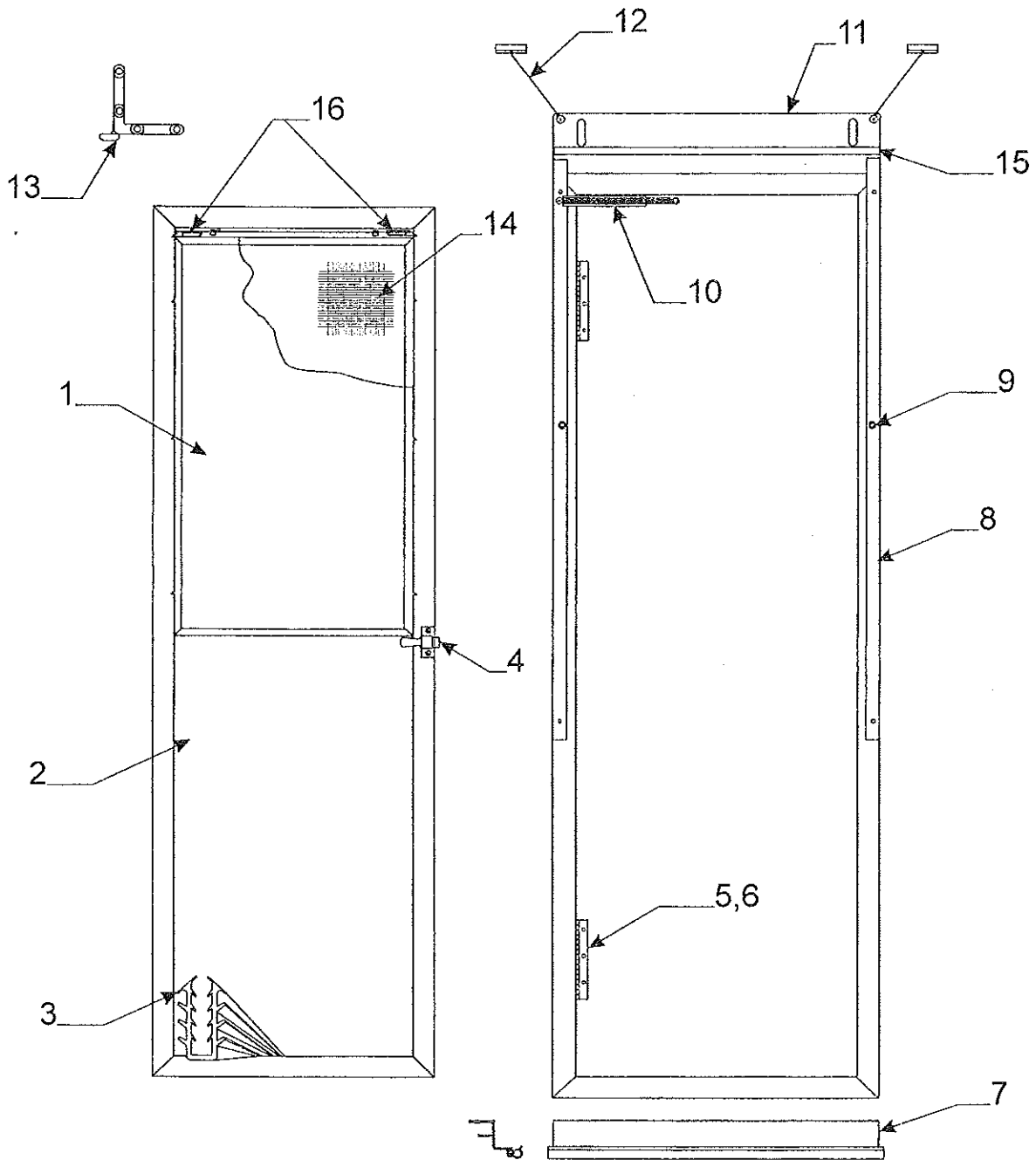
4714-038 3/8" I.D. High pressure hose (sold/foot)

B 4060050006P 3/8" I.D. Pex tubing "cold" (20' pc. pkg.)

C 4060050007P 3/8" I.D. Pex tubing "hot" (20' pc. pkg.)

* Warranted By Vendor

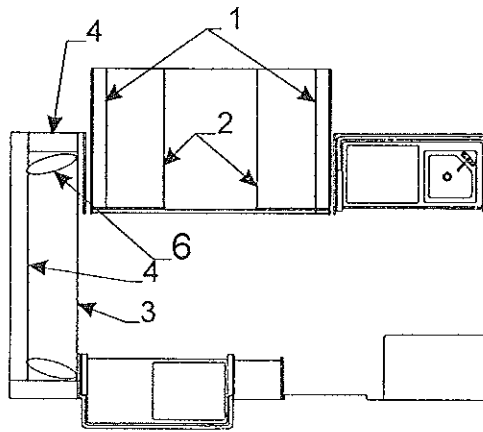
Flat Rate	Water System & Related Parts Code	Part #	Description\
1.50	1	4757A0471	water tank 20 gal.
.25	2	4741C2371	elbow "plastic"
	3	4731-3058	adjustable hose clamp 3/8"
	4	4755-4821	brass barbed union m10
.20	5	4758-5381	tank hanger x2
.15	6	1218-7001	plug
.25	7	4741C2391	brass elbow "Pex" m2
.20	8	4741E2361	brass line drain "Pex"
.25	9	4741A2751	stainless steel clamp m100
.25	10	4741C2381	brass tee "Pex" m10
.20	11	4741B9061	copper swivel elbow
.50	12	4741B2071	shower diverter
*	13	4750-3421	water heater
.15	14	4732B4561	hose adapter
.50	15	4741D5571	electric water pump
.25	16	4747A8311	water filter
.20	17	4741A9561	female adapter "copper"
.30	18	4732F1521	city fill
.20	19	4757-3631	brass adapter 3/8" barb "Pex"
.20		4758-1341	1/2" mpt x 3/8 elbow "Pex"
.30	20	4731D1711	fill spout
	21	4715-4501	adjustable hose clamp
.35	22	4731H1081	water fill hose (3' pc.)
.20	23	4060050003F	1/2" h.p. hose (sold/ft.)
.15	24	4765-9971	water heater bypass
	25	4757-3611	pex riser "straight" 42"
	26	4757-3661	pex riser "90° elbow" 59"
	27	4745E2741	mixer faucet



.30 Flat Rate Screen Door Complete

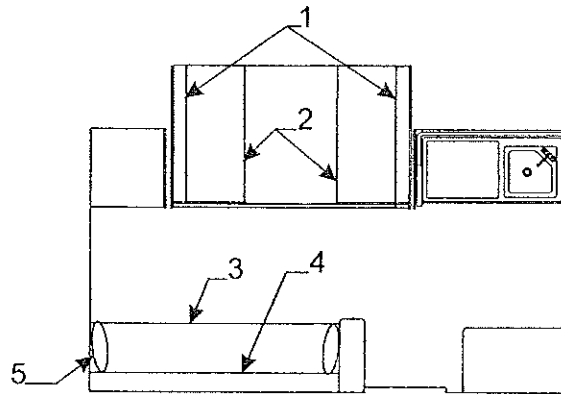
Note: parts marked w/* asterisk are not included w/screen door

Flat Rate	Code	Part #	Description	Flat Rate	Code	Part #	Description
.10	1	4716E3401	top sliding window pane	.05	9	4730A3548	stud w/screw x2
.40	2	4754B1541	stationary window pane	.20	10	4731A8201	spring package
.15	3	4060000086F	rubber seal (sold/foot)	.30	11	4759B0981	top bracket
			Note: around perimeter of window pane	.15	12	4734D5211	cable assy. m6
.15	4	*4772-2901	door latch assembly	.50	13	4710-3791	corner brace hinge m2
.15	5	4720C3601	hinge x2		14	4716-1381	screened stationary pane
	6	1203-8641	rivet m25	.75		4716-1111	screening 36" x 18 1/2"
.25	7	*4747A5621	screen door support	.10	15	4060000023P	d-seal "white" (5' pkg.)
		*40600000399F	rubber seal (sold/foot)	.50	16	4716-3811	window lock pkg. rt./lt.
.20	8	4754-3811	vel-stick (pkg. of 2)				



Flat Rate .10 Assembly - .25 Cover

Flat Rate	Cushion & Backrest Assy.'s 3978 Bayside	Code	Part #	Description
.10	1	4755-7521	backrest assy. 42 1/4" x 15 5/8 x 4"	
.25		4714-7521	backrest cover	
.10	2	4755-7511	cushion assy. 42 1/4" x 19 3/8" x 4"	
.25		4714-7511	cushion cover	
.10	3	4757F6591	cushion assy. 80 1/4" x 21 1/4" x 4"	
.25		4714F6591	cushion cover	
.10	4	4757F6581	backrest assy. 72 1/4" x 14" x 5"	
.25		4714F6581	backrest cover	
.10	5	4755-7091	arm rest 21 1/4" x 14" x 5"	
.25		4714-7091	arm rest cover	
.10	6	4767-3721	throw pillow	



Flat Rate .10 Assembly - .25 Cover

Flat Rate	Cushion & Backrest Assy.'s 3981 Uath	Code	Part #	Description
.10	1	4755-7521	backrest assy. 42 1/4" x 15 5/8 x 4"	
.25		4714-7521	backrest cover	
.10	2	4755-7511	cushion assy. 42 1/4" x 19 3/8" x 4"	
.25		4714-7511	cushion cover	
.10	3	4769A5311	cushion assy. 66" x 20" x 5"	
.25		4714A5311	cushion cover	
.10	4	4769A5301	backrest assy. 66" x 13" x 5"	
.25		4714A5301	backrest cover	
.10	5	4767-3721	throw pillow	

Drape Package (Less Valance Pkg.) "Color - Darcy Damson"

Note: Drape Pkg. Includes Privacy Curtains x4

<u>Model</u>	<u>Drape Pkg.</u>	<u># Of Panels</u>	<u>Flat Rate</u>
3981 Utah	4757J5531	11	.30
3978 Bayside	4755K2981	11	.30

Drape Tab C-Shape m60 - 4750-2891

Flat Rate - .05

Valance Package

4768B5951 - 3981, 3978

8166500030P - Valance C-shaped glide tape (3yd. pkg.)

Privacy Curtain Pkg. (Set Of 2 Panels)

.15 4723M7901 - Curtain size - 44 3/4" x 45"

Single Drape Panel W/Safety Straps

.15 4716-3091 Drape pnl. 43" x 45"

.15 4716-3101 Drape pnl. 22" x 45"

Drape Tie Package (Qty. 1) - 4767-3781

Flat Rate - .05

Potty Curtain Pkg. - 4754A7871

(Factory Installed Potty Cab.)

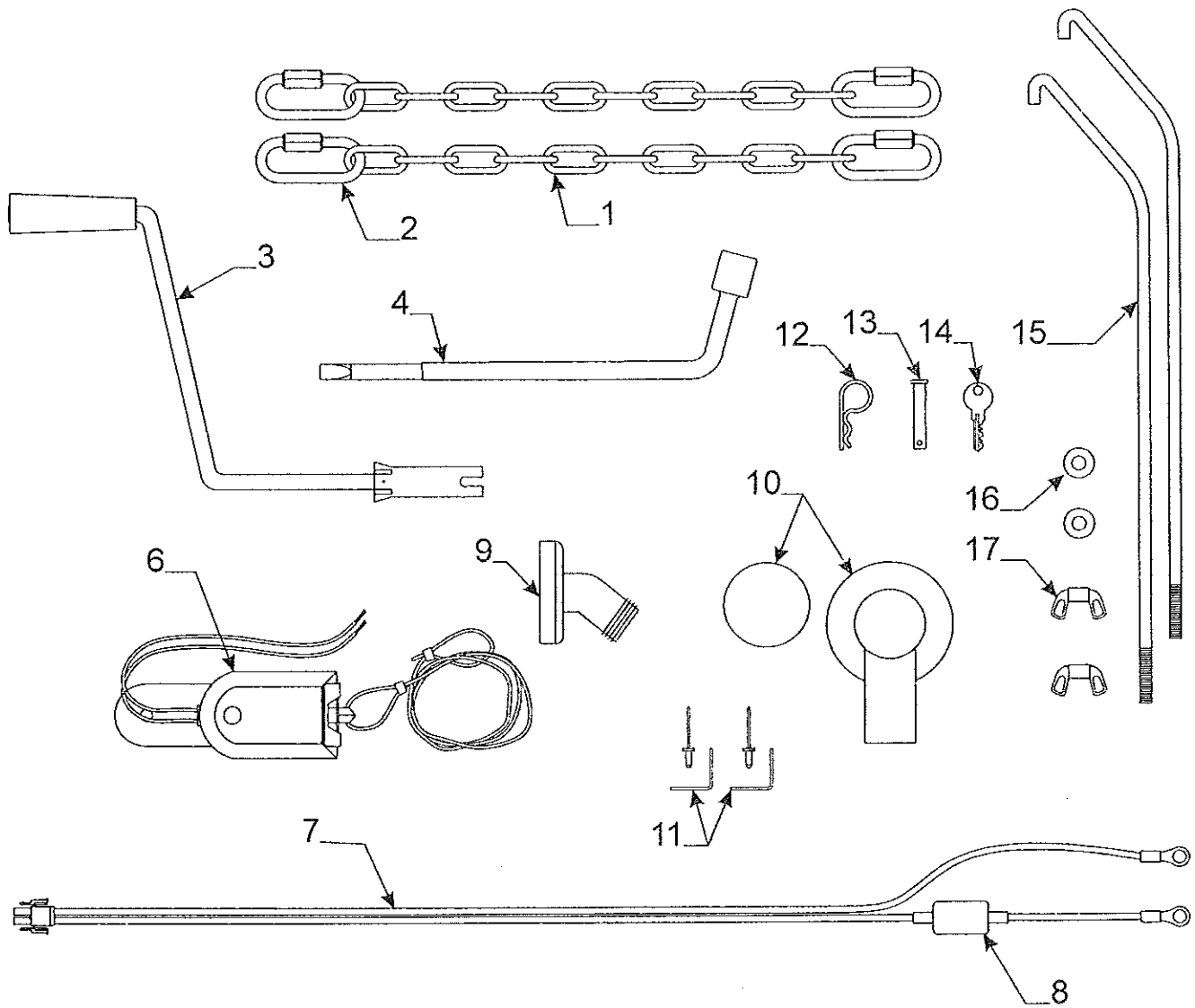
Flat Rate - .20

Tip-out valance - 4757D4951 - 3978

Flat Rate - .20

Glide-out curtain & valance - 4714J5531 - 3981, 3978

Flat Rate - .20

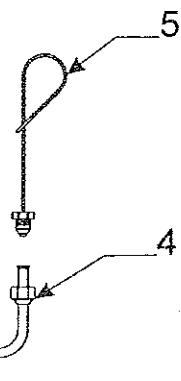
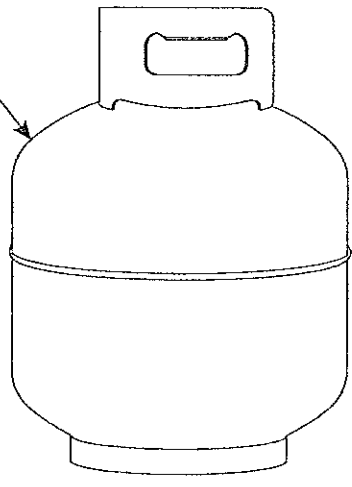
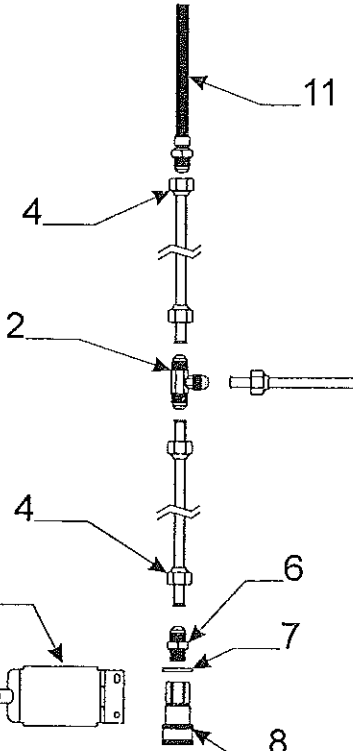


4750J6111 Parts Package (All)

Flat Rate	Parts Code	Package Part #	Component Parts Description
	1	4757-3901	29" tow chain w/quick links m2
	2	4757-3891	quick link (sold/signally)
	3	4747G4141	crank handle
	4	4749A1861	lug nut wrench
	5	4746-5381	winterizing adapter
	6	4746-0401	breakaway switch
	7	4749B5531	battery harness w/15 amp breaker
	8	4751-4811	15 amp circuit breaker
	9	4737-9138	drain adapter
	10	4734C3781	regulator cover (long)
		4751-9571	round regulator cover
	11	4753E6781	battery angle pkg.
	12	4732A4791	safety pin m10
	13	4771-2631	hitch pin m5
	14	4730B3211	key m10 # 8025 (gold plated)
	15	4733G6281	gas bottle mounting brkt. pkg.
			Note: pkg. includes (2) wing nuts, washers
	16	1202B0468	washer x2 m10
	17	1201-6258	wing nut x2

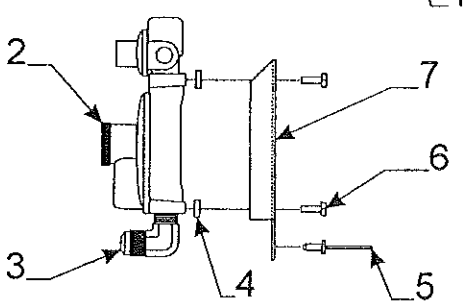
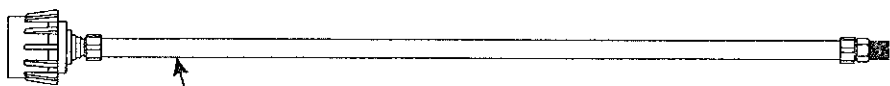
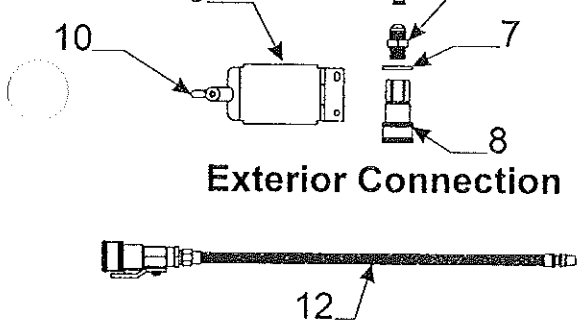
**** Serial Number Of Gas Bottle Must Be Supplied When Submitting Warranty**

Interior Connection

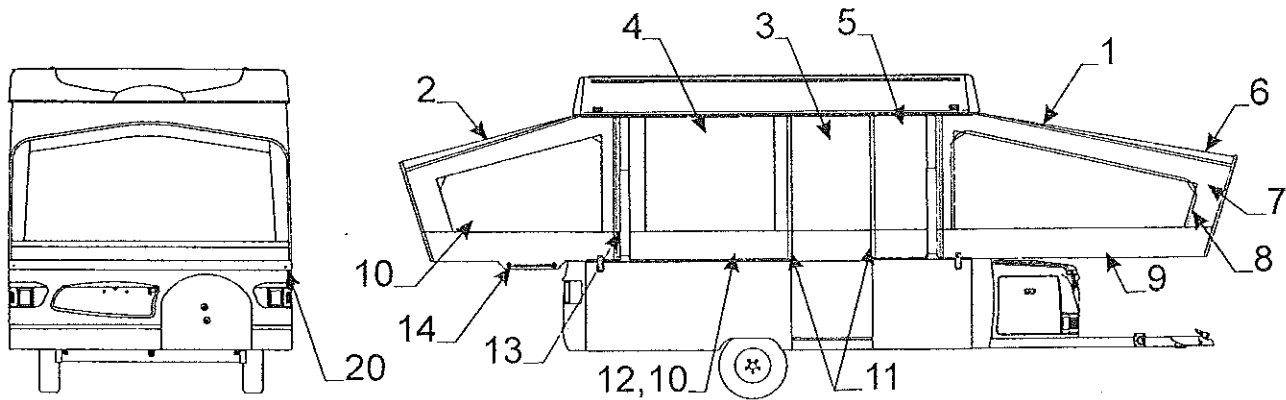


Flat Rate	Code	Part #	Description
.15 **	1	4720J5928	gas bottle "arctic white"
		4724K6441	black vinyl l.p. cover
.50	2	1215-1771	brass tee 3/8" x 3/8" x 3/8"
.50	3	3/8" copper	gas line purchase locally
	4	1215-2418	flare nut 3/8"
.40	5	4733A3888	plastic cap & chain 3/8"
	6	4748-2671	half union
	7	1202B1068	washer
.40	8	4742A8331	quick disconnect
.20	9	4752-5831	quick disconnect cover & hinge
	10	4716-9411	strike, washer & screw pkg.
	11	4753-5581	flexible gas hose 48"
	12	4767-0561	gas grill hose

Exterior Connection

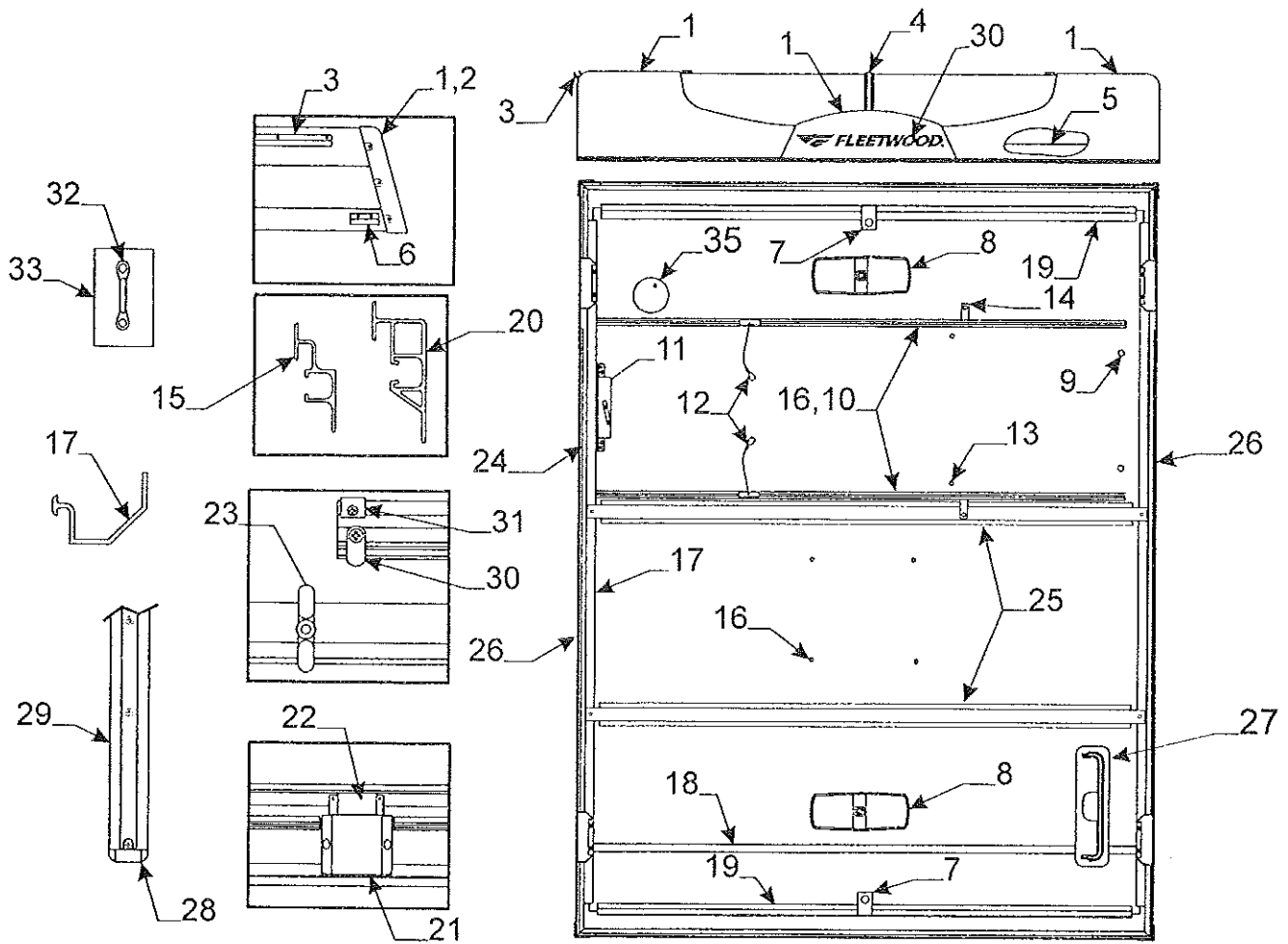


Flat Rate	Code	Part #	Description
.45	1	4733D3991	gas hose w/acme nut 21"
.45	2	4755-0401	regulator "low pressure"
	3	4753-8981	3/8" x 3/8" elbow (non hot water)
		4755-0421	1/2" x 3/8" elbow (hot water)
	4	0322A3301	brass spacer m2
	5	1203E8961	steel rivet m25
	6	4759-0441	mounting screw m2
	7	4741D9431	regulator mounting brkt.



***IMPORTANT:** 4754-7881 Rear QUEEN Boot (66") used on units prior to Aug. 12, 2004
Please CHECK The Date Of Manufacturing Before Ordering.

Flat Rate	Sunbrella Tenting & Components
Code	Part # Description
.50	1 4753G5861 70" King boot
.50	2 * 4754-7881 66" Queen boot
.50	4753G5861 70" King boot
.40	3 4756H6751 large window "glide-out" 3981, 3978
.20	4 4755-7601 small window 3981 Uath
.20	4757J5871 small window with tipout 3978 Bayside
.15	5 4755-7591 door seal 3981, 3978
	6 8118501430P top vinyl package (85" x 3 yds)
	7 4716C0851 sunbrella patch package (12" x 14")
	8 6650500131F zipper (sold/yard) used around window
	1225A4461 zipper pull m5
	9 8118001439P bottom vinyl facing "blue" (80" x 3 yds.)
	10 4714E1611 screen package (84" x 3 yards)
	4714A0361 screen package (84" x 13 yards)
	11 4350000009P 1" velcro hook (10' pc. pkg.)
	12 4716-2401 clear window vinyl (41" x 2 yards)
	13 1225G3768 45 1/2" side zipper pin half
	1225G3758 45 1/2" side zipper slider half
.50	14 4060000245CP shock cord (150' pc. pkg.)
.50	4714C6021 shock cord & hooks m2 (two 14' lengths)
.15	4724A2011 shock cord termination (plastic hook) m10
	15 4060000024F arrowhead seal (sold/foot)
.30	16 4735D6721 extension harness
.50	17 4743-1588 k-kote seam sealer
	18 4728A5641 tent retainer pkg.
.30	19 4710-1001 vinyl daubing "white" m2
.30	4710-1011 vinyl daubing "grey"
	20 4739E2908 screw cap m10
	4739-2918 screw cap washer m10



4755A7491 Top Assembly 3981 Uath
 4768D5221 Top Assembly 3978 Bayside

Top Assy. (Complete) flat Rate - 3.00

Flat Rate	Code	Part #	Description	Flat Rate	Code	Part #	Description
.50	1	4716U2001	top end cap pkg.	.30	15	4060000093P	tent track (frt./rr.)
		4350000058F	saturated foam tape (sold/foot)		16	1203-9258	plastic accordion rivet m25
		4767-4608	TPO end cap caulking		17	4767-306	side cove x2 (must cut to size)
	2	4745-3968	screw "painted"			4747-2558	expansion rivet m25
.50	3	4757-3561	canopy track	.20	18	4350400004F	vinyl tape (sold/foot)
1.00	4	4752-02791	center seam		19	4756B0671	cove (front/rear)
		4060400096F	vinyl screw cover (sold/foot)			4747-2558	expansion rivet m25
.50	5	4756-0681	frt./rr. seal extru.	.30	20	4060000092P	tent & val. track
.15	6	4750A9581	top strike m2	.20	21	4747D5521	lift pocket cover x4
		4744C2461	torx head screw "painted" m2			4741D3558	hole plug x2
		1201B6958	nut (x2 per strike)	.25	22	4350000005F	velcro loop (sold/yard)
.15	7	4741F11381	tent support brkt.	.15	23	4741B5431	lift pocket x4
		4741C9368	screw "painted" x2	.15		1201B6378	lock nut (x2 per pocket)
.15	8	4744E4741	double light	.50	24	4743-2501	screen dr. latch pkg.
		4758-1361	dome light lens	.50		4060100399P	rubber top seal (40' package)
		1103B1028	screw x4	.75	25	4716A8991	roof brace kit
	9	4737-3211	rubber button m8		26	4754D9801	side seal extrusion
.30	10	4733H47181	screen door track x2		27	4758A4571	wardrobe hanger
		4744B4611	expansion rivet m25		28	4758A4461	track end cap "plastic"
.20	11	4749C5571	screen door bracket	.25	29	4758C4981	cargo track (must cut to size)
		4747-2558	expansion rivet m25	.20		4761-1958	fleetwood keystone decal
		4749-2138	snap button m2	.05	31	4728A5641	tent retaining pkg.
		1203-8631	rivet m25		32	4750-2891	drapе tab c-shape m60
.15	12	4734D5211	screen door cable m6		33	4733B4511	steel loop m2
	13	4730A3548	stud w/screw x2	.15	34	4350000125P	3" x 4" flextrud white
.15	14	4723A5061	strap x2		35	4767-4641	carbon monoxide detector

