

2004

Highlander Series Repair Parts Catalog



3831 Sequoia 14'

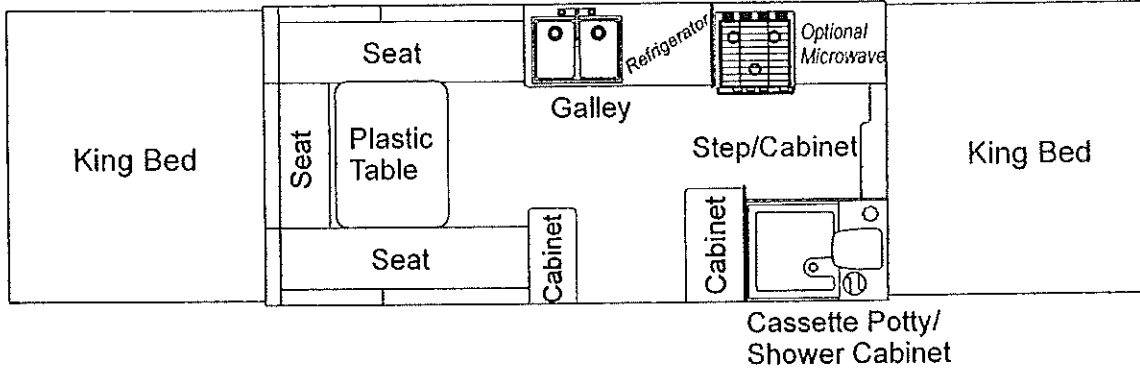
3832 Redwood 14'

3833 Hemlock 14'

2004 HIGHLANDER series

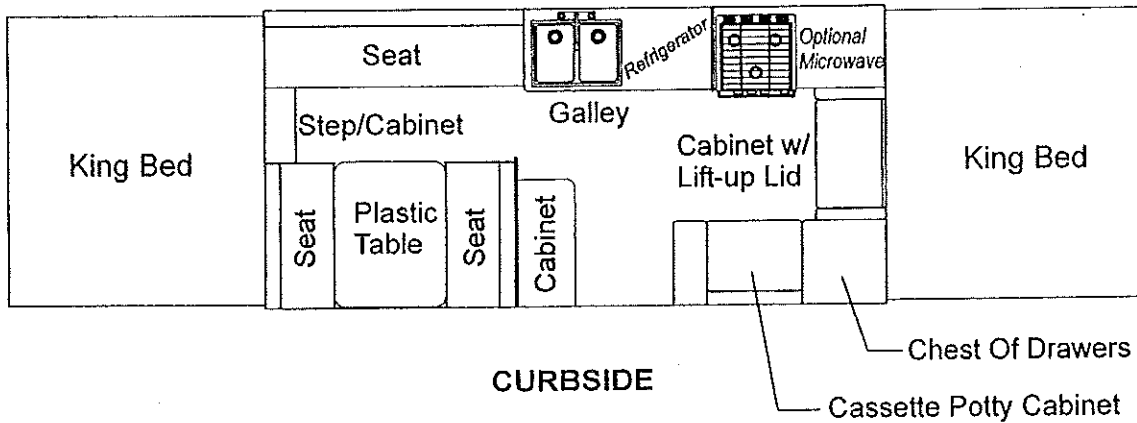
3831 Sequoia 14'

ROADSIDE



3832 Redwood 14'

ROADSIDE



3833 Hemlock 14'

ROADSIDE

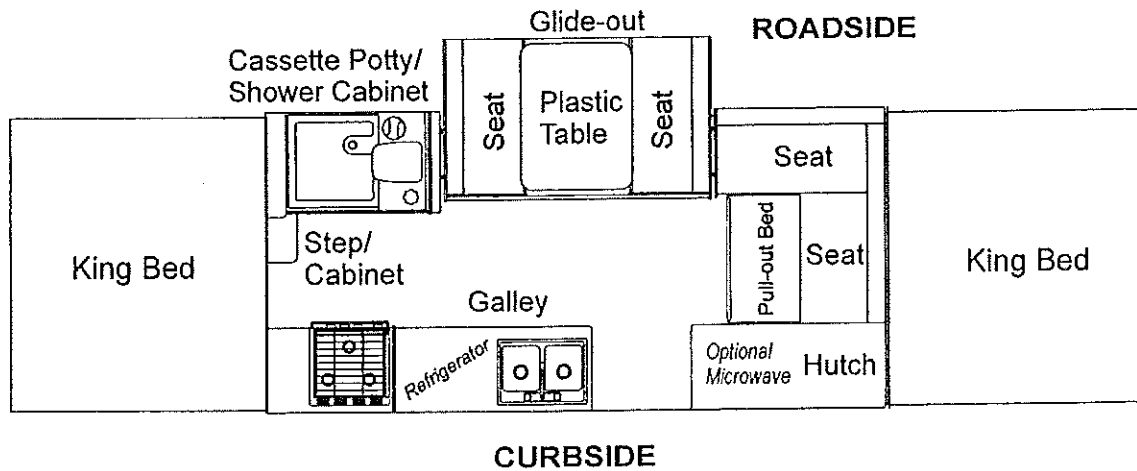
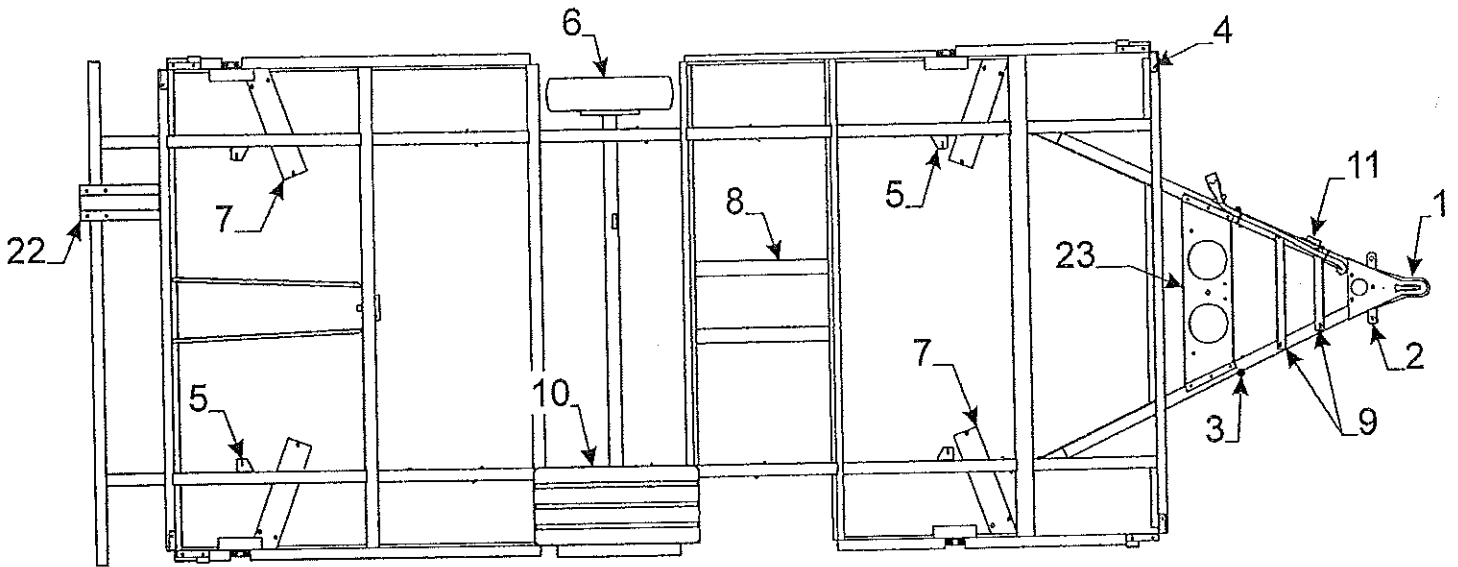


TABLE OF CONTENTS

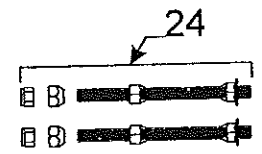
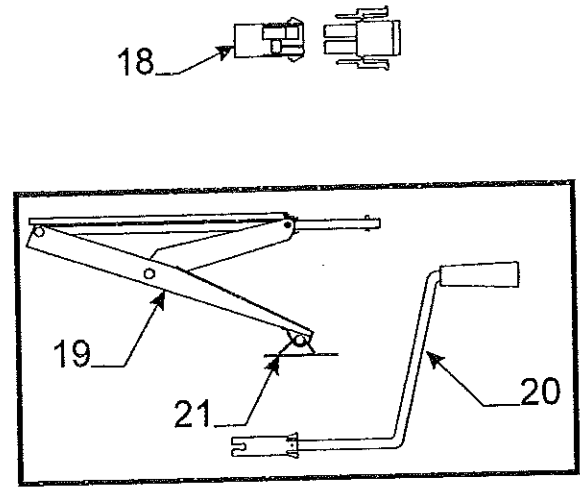
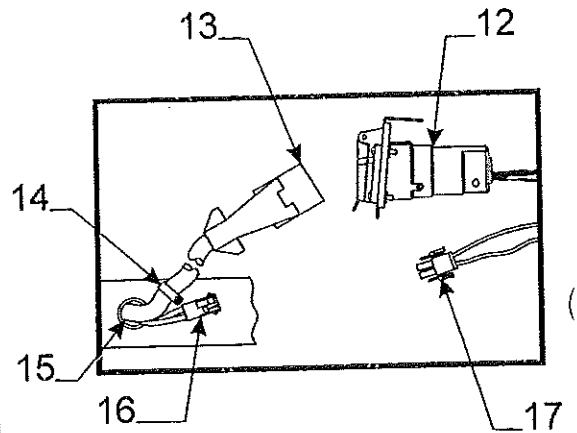
<u>DESCRIPTION</u>	<u>PAGE</u>
Access door key	32
Access door assembly & related parts	7
Auto extension	27
Axle assemblies & related parts	5
Backrest assemblies & covers	34
Bathroom (wood construction)3831 Sequoia ...	20, 21
Bathroom (alum. construction)3831 Sequoia ...	22, 23
Bathroom 3833 Hemlock	24, 25
Bed assembly components	28
Bed extensions & related parts	28
Body panel right rear (curbside)	8
Body panel left side (roadside)	10
Body panel left side (glide-out/Hemlock)	11
Body panel front & rear	6
Body panel right front (curbside)	9
Bumper & related parts	6
Caulking	27
Converter & related parts	26
Corner bulkhead assembly	2
Coupler assembly	2
Crank components (upper crank)	4
Crank handle	2, 32
Cushion assemblies & covers	34
Door bulkheads	7
Drain components (used on sinks)	13
Drape packages & related parts	34
Drawer assembly components	26
Dressing room curtain	34
Electric brakes & related parts	5
Fire extinguisher & components	15
Floor covering	2
Frame assembly & related parts	2
Gas detector	14
Gas hose (gas bottle hook-up)	33
Gas bottle mounting brackets	32
Gas quick disconnect (outside RVQ Grill)	33
Gas bottle cover (black vinyl)	33
Gas bottle & related parts	33
Glide-out & related parts	11
Glide-out tent bows	29
Grease cap (EZ-lube)	5
Hub assembly & related parts	5
Hutch assembly (doorway rear 3832 Redwood)	15
Hutch/cabinet assy. (csf 3833 Hemlock)	18
Hutch/seat assy. (csr 3831 Sequoia)	16
Kill switch	27
Kill switch plate (loc. on rear bed)	28
Lift assemblies & related parts	3
Lift trim & miter covers	8,10
Mattress assemblies & covers	29
Microwave	12,18
Oven/range and related parts	12
Outside shower components	10
Paint (spray & quart can)	27
Paneling & trim	27
Parts package & components	32
Pigtail (car end)	2
Potty cabinet (3832 Redwood)	14
Potty "cassette"	14, 21,23,25
Potty/shower stall (3831, 3833)	21,23,25
Power cord (converter)	26

<u>DESCRIPTION</u>	<u>PAGE</u>
Radio/cd player	21,23
Receptacle (exterior)	9
Receptacle (interior)	26
Refrigerator	12
Refrigerator vents	8, 10
Regulator & fittings	33
Rock guard (frt. body panel)	6
Safety chains	32
Screen door & related parts	30
Seat bench component parts	15,16,17,19
Seat bench components (glide-out Hemlock)	11
Shower curtain	34
Shower curtain rod (3831, 3833)	21,23,25
Shower stall w/potty (3831,33) ...	20,21,22,23,24,25
Shower head & hose	21,23,25
Sink & related parts	12,13
Sink drain and related parts	13
Spare tire cover (black vinyl)	2
Spare tire mount package	2
Speaker components	17, 18
Stabilizer assembly	2
Stabilizer handle	2
Step (access door step)	7
Storage compartment door csf (Hemlock)	9
Stove components	12,13
Stove cover components	12, 13
Table assembly & related parts	18
Table holdup bracket	18
Taillights (rear body panel)	6
Tent support assemblies & related parts	29
Tent support (glide-out Hemlock)	29
Tenting & related parts (sunbrella)	35
Thermostat (Hydro Flame)	16
Thrust nut & bearing	3
Tie backs (curtains)	34
Tire & rim	2
Tire cover "black vinyl"	2
Tongue jack & related parts	5
Top assemblies & related parts	36,37
Trim tape kits	8,9,10
Valance package	34
Water heater	31
Water heater exterior door	10,11
Water in-line filter	31
Water system & related parts	31
Wheel well	2
Whiffletree & related parts	3
Zippers (tenting assemblies)	35

Axle/Brakes - Dexter	219/295-1900
Cassette Potty - Thetford	800/521-3032
Converter - World Friendship Co.	800/900-2468
Furnace - Hydro Flame #7916-11	800/546-8759
Mixer Faucet - Empire Brass	800/431-6440
Power Bed/Lift System - Barker	269/965-2371
Refrigerator - Dometic	800/216-5115
Stove - Vitco	877/825-8528
Tires - Kenda	800/225-4714
Water heater - #5031E	423/775-2131
Yakima bike rack - to obtain repair parts .	800/925-4621



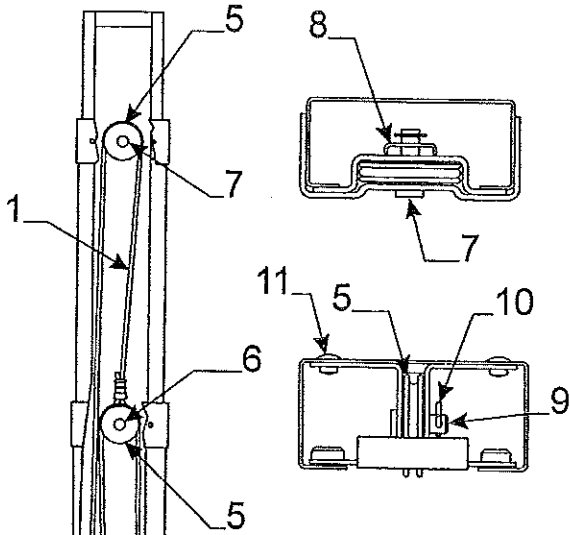
Flat Rate	Code	Part #	Description
1.50	1	4772-4231	coupler assy.
.75	2	4720A3561	chain bar w/o pins
.10	3	4758-0381	bed leg pin & washer
2.00	4	4772-5051	corner bulkhead csr/rsf
2.00		4772-6311	corner bulkhead rsr/csf
		1203C8751	rivet m25 (rivet bulkhead to frame)
.75	5	4732E3671	adjustable pulley brkt. x4
.25		4715A5371	pulley & bearing m10
		4720C1578	short pin m4
		1204B1081	cotter pin m10
.25	6	4772-3598	tire & rim 13" alum. star mag
.25		4772-8868	tire & rim 14" alum. star mag
.25		4753E8168	tire & rim 13" white spoked
		4766A1428	tire & rim 14" white spoked
.05		4772-3601	chrome lug nut pkg. (5 pc. pkg)
		4772-4141	alum. mag center cover
		4716E8168	13" LR "D" tire only Kenda (less rim)
		4723G3161	13" tire cover "black vinyl"
		4773-5221	14" tire cover "black vinyl"
		4741-3268	2" valve extension
	7	4755B6641	stabilizer plate csf/rsr (all)
		4755B6651	stabilizer plate rsf/csr (all)
.20	8	4758-5381	water tank hanger brkt. x2
.25	9	4716A1751	frt./rear battery angle/rivets pkg.
2.00	10	4772-3761	wheel well (all except rs Hemlock)
2.00		4759-0791	wheel well rs (3833 Hemlock only)
.75	11	4720B3331	jack brkt. (welded to tongue)
	12	4746A5591	pigtail - bargman (car end)
	13	4772-5971	trlr. wire harness - bargman
	14	1201-8708	3/8" clamp
		1203C8721	steel rivet m25
	15	4742-8108	1 1/4" snap bushing
	16	4716A5001	12 volt power harness
.15	17	4749B5531	12 volt wire harness m2
	18	4716A4701	12 volt cap & plug m2
.25	19	4751A3351	stabilizer assy. (screw down)
		4751-8208	tapping screw (3 per stab.)
	20	4747G4141	crank handle
.10	21	4755-6841	sand shoe (set of 4)
	22	4772-6561	bike carrier receiver kit
	23	4772-4211	dual gas bottle tray
	24	4768-6721	spare tire mount kit



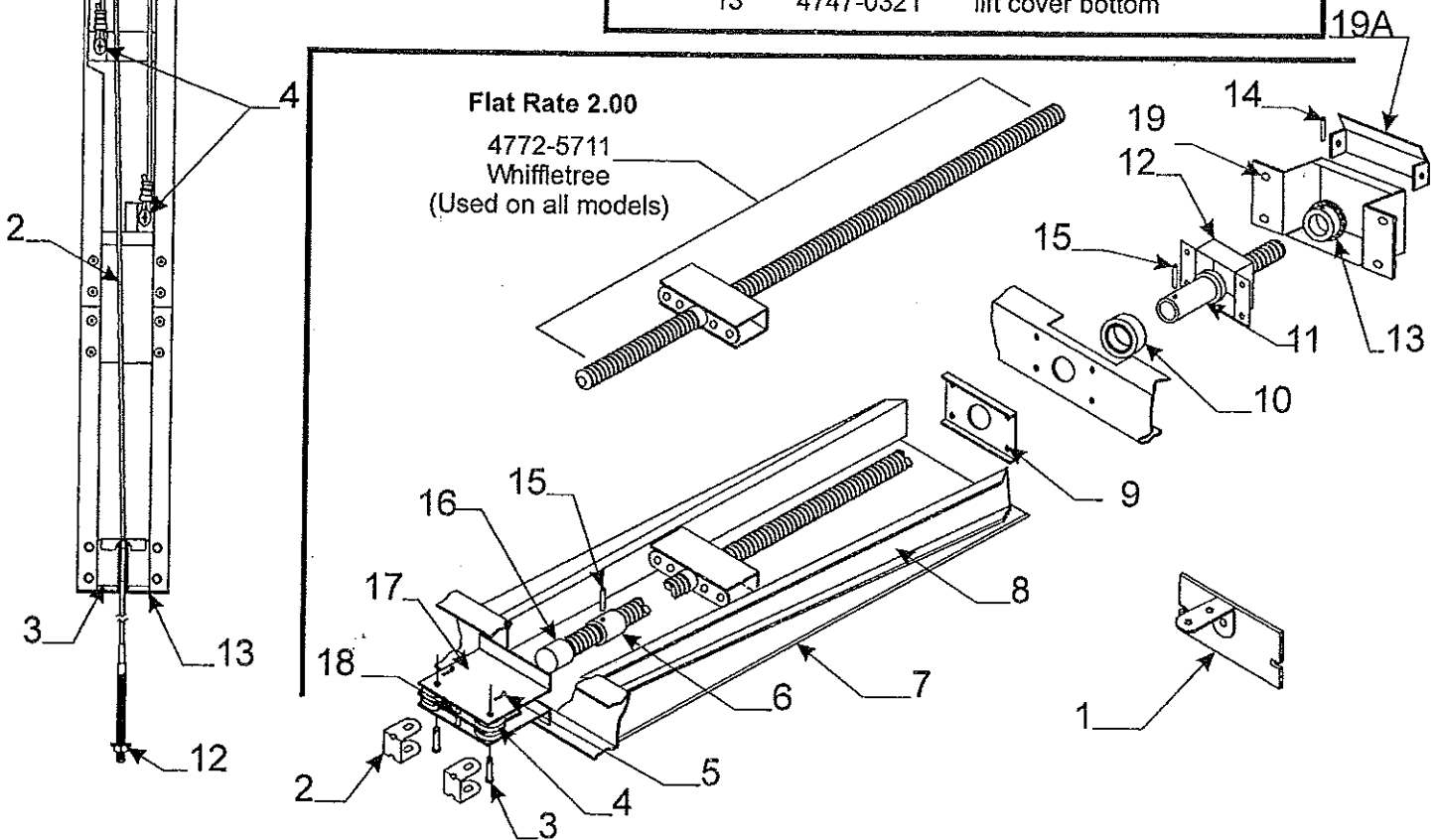
*6610007204P floor covering pkg. (7 1/2' x14')
 * Prior Authorization Needed From Factory

Flat Rate 1.25 Per Lift Assembly

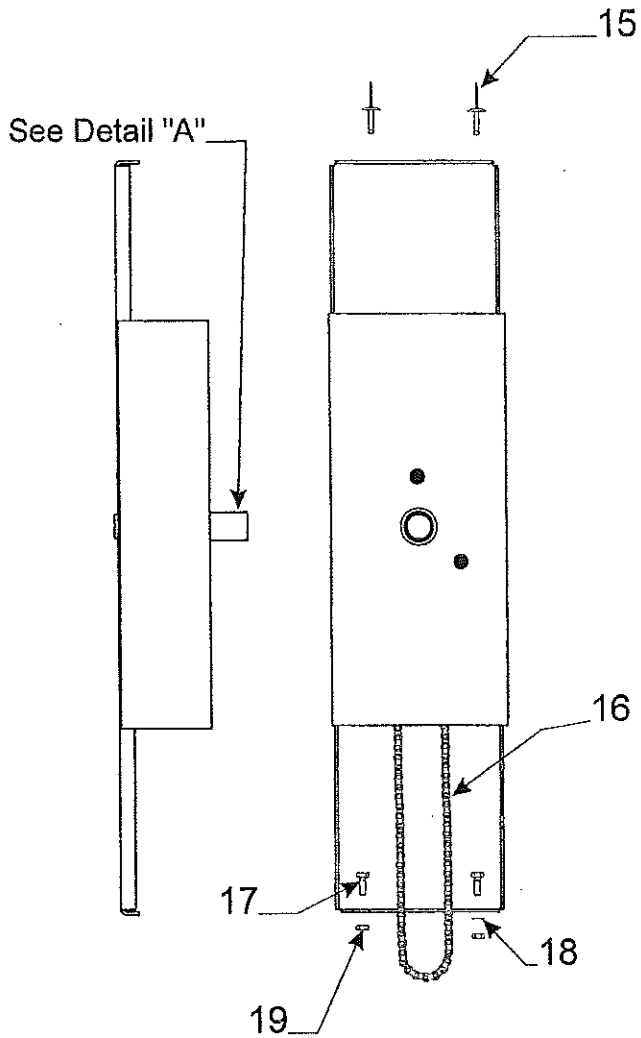
- 1.25 4772-5091 lift assembly roadside rear/curbside front
- 1.25 4772-5101 lift assembly roadside front/curbside rear



Flat Rate	Lift Assembly Code	Component Part #	Description
.75	1	4720D5271	cable assy. x1 m2
		4720C1691	cable crimp m20
1.25	2	4772-0201	194 1/2" long cable & crimp
		4744-1318	copper cable crimp m10
1.25	3	4731C5801	butterfly bracket assy.
.05	4	4749-2081	screw m6
.50	5	4715A5371	steel pulley & bearing m10
.25	6	4747-8931	long pin x2
		4730B0981	retaining ring m12
.25	7	4749-4061	short pin m4
		4730B0981	retaining ring m12
.25	8	4749A2028	retaining clip
.45	9	4720C1578	lift pin m4
	10	1204B1081	cotter pin m10
	11	1203-8641	rivet m25
	12	1201B6378	1/4" lock nut
		1202E0408	washer
	13	4747-0321	lift cover bottom

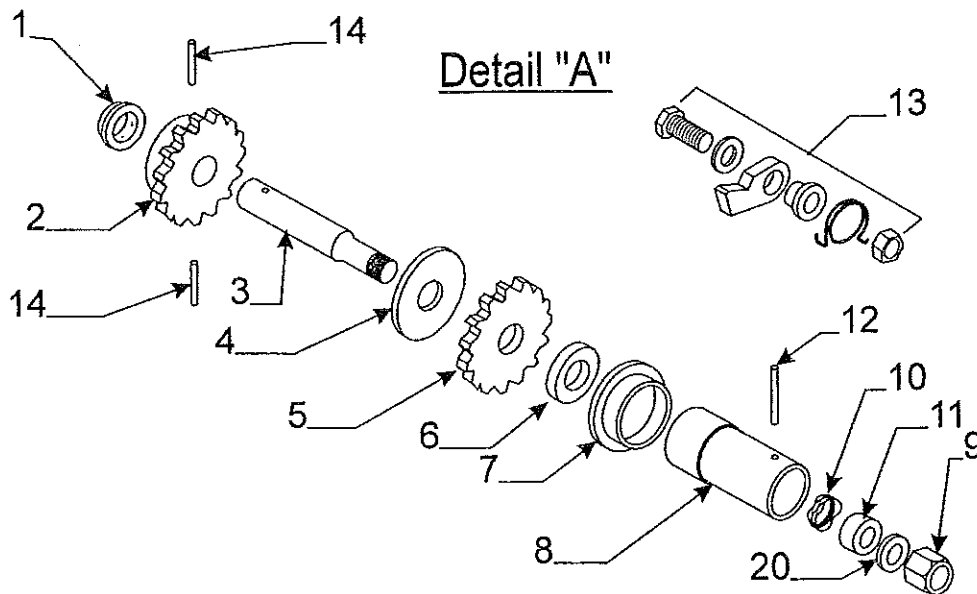


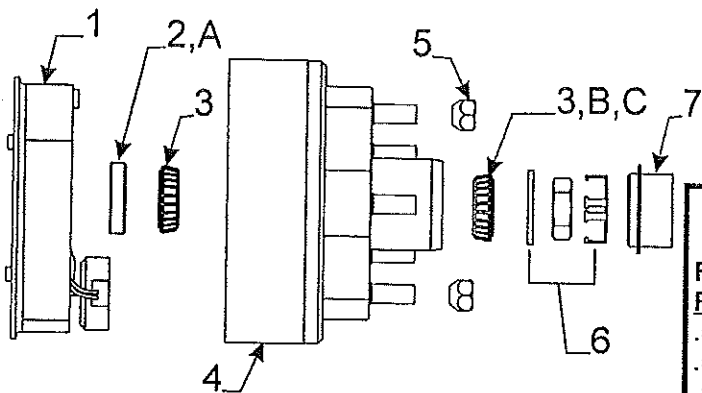
Flat Rate	Whiffletree & Related Parts Code	Part #	Description	Flat Rate	Code	Part #	Description
.15	1	4749A821	mud flap & brkt.	1.50	11	4720B2388	thrust nut
.50	2	4744B1741	cable retainer x2	1.50	12	4720B2408	bearing housing
.20	3	4720J1561	long pin m4	1.00	13	4730C3848	sprocket 12 tooth
.50	4	4715A5371	pulley & bearing m10	1.00	14	4720D1481	roll pin m10
.10	5	1204B1081	cotter pin m10	1.00	15	4744A1301	shear pin m10
1.60	6	4710B4248	bushing	2.00	16	4730D1291	screw socket (welded)
.25	7	4752B4921	whiffletree pan cover	2.00	17	4720-1551	pulley plate
.25	8	4720F237	pan cover side (welded)	.50	18	4715D5661	pulley spacer
	9	4720C2418	plate		19	4772-3661	chain cover
1.50	10	4720B2421	thrust nut bearing		19A	4772B3171	chain cutout cover



** 1.50 all parts combined

Flat Rate	Code	Part #	Description
<u>Flat Rate 1.50 complete assembly</u>			
4772B5121 crank & sprocket assy.			
**	1	4751-3501	shaft bushing
**	2	4730B3858	sprocket 24 tooth
**		4730C3858	sprocket 22 tooth
**	3	4751-3521	drive shaft
**	4	4751-3561	pressure plate
**	5	4751-4831	ratchet wheel
**	6	4751-3581	pressure washer
**	7	4751A3591	shaft bushing
.75	8	4716A1741	drive hub extension pkg.
Note: package includes parts marked w/asterisk (*)			
	9	*4751-3551	hex head nut
	10	*4752-3921	handle spring m2
	11	*4751-4671	nylon washer
	12	*4747A9451	spiral roll pin m6
.60	13	4716-1221	ratchet pawl package
	14	4720D1481	roll pin m10
		4744A1301	shear pin m10
	15	1203C8721	rivet m25
1.50	16	4759-8031	chain 45 3/8"
		4730A3811	connecting link
	17	4731-3878	hex head bolt x2
	18	1202B0438	washer
	19	1201B6038	hex head nut
**	20	*4757-3938	washer





Flat Rate .50 Per Side

Flat Rate	Code	Part #	Description
.50	1	4716-6251	10" brake assembly (right hand)
.50		4716-6261	10" brake assembly (left hand)
.50	2	4716-1441	10" grease seal x1 m4
.50	3	4716-1451	10" bearing & seal pkg.
.30	4	4716-1431	10" hub & drum x2
.05	5	4747A9528	lug nuts x5
.05		4772-3601	chrome lug nut m5 (5 pc. pkg.)
.10	6	4714A3061	Note: Chrome lug nuts used on mag wheels washer, nut & retainer pkg.
.05	7	4714C0621	EZ lube grease cap m4

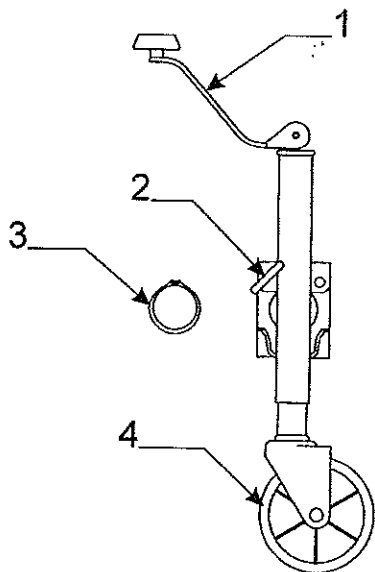
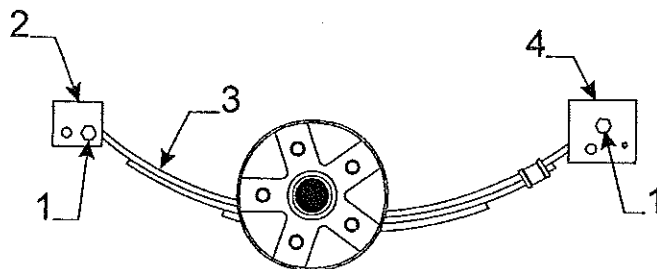
Crossover Numbers To Purchase Locally

- A** 171255VB Grease Seal
- B** L44649 Bearing ("outer")
L68149 Bearing (large inner)
- C** L44610 Race ("outer")
L68111 Race (large inner)

4730W3011 3500 lb. Brake Axle Assy. (Complete) - F.R. 1.25

NOTE: limited parts stocked for 3500 lb. axle, Please refer to Dexter Axle for required part (s) phone - 219/295-1900

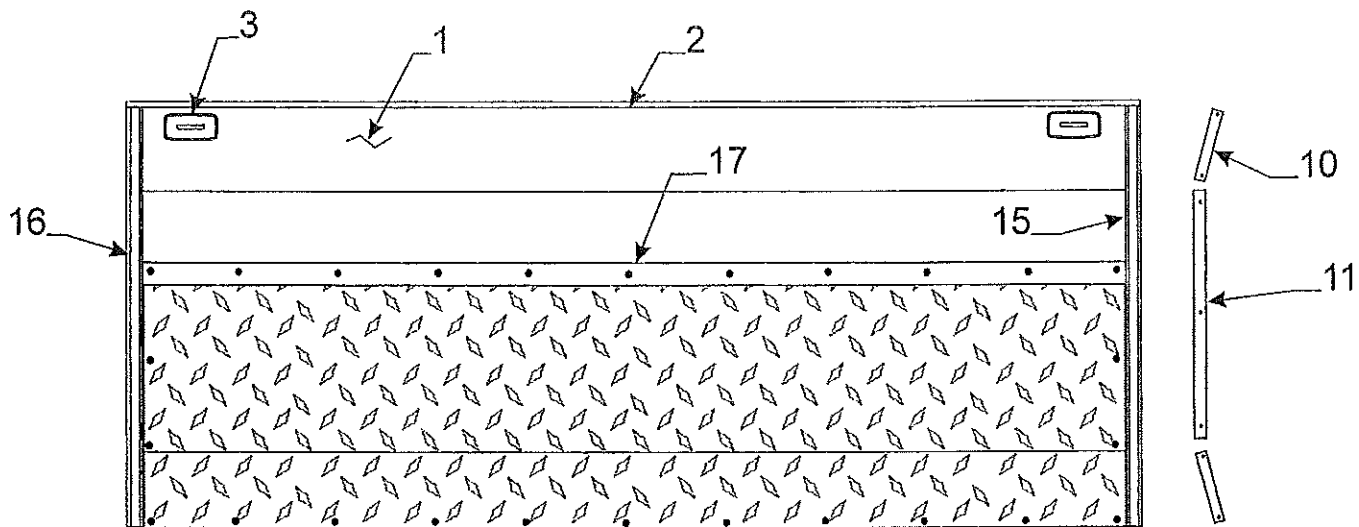
Flat Rate	Code	Part #	Description
.25	1	4737A1318	shackle bolt
		4741-9498	shackle bolt nut
2.00	2	4741A3398	spring shackle "rear"
.75	3	4735H22081	leaf spring (4 ply)
2.00	4	4741C3398	spring shackle "front"



Flat Rate .10 Jack Removal

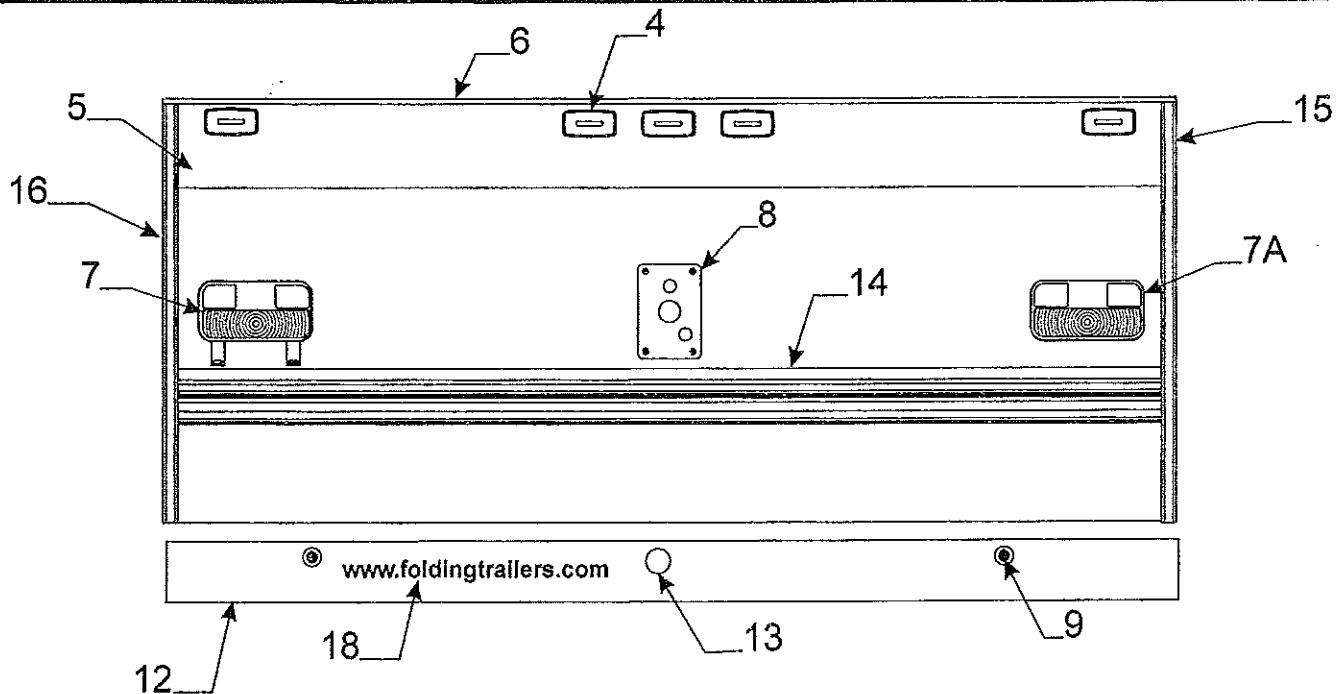
Tongue Jack Assy. (4720C6661) "Side Mount"
 Tongue Jack less/wheel (4772A4221) "Center Mount"
 Tongue Jack Wheel (4773-0421) "Center Mount"

Flat Rate	Code	Part #	Description
.15	1	4716-1951	jack handle kit
.15	2	4716-1981	locking plunger kit
.10	3	4720A3341	snap ring
.25	4	4716-1971	jack wheel nut & bolt



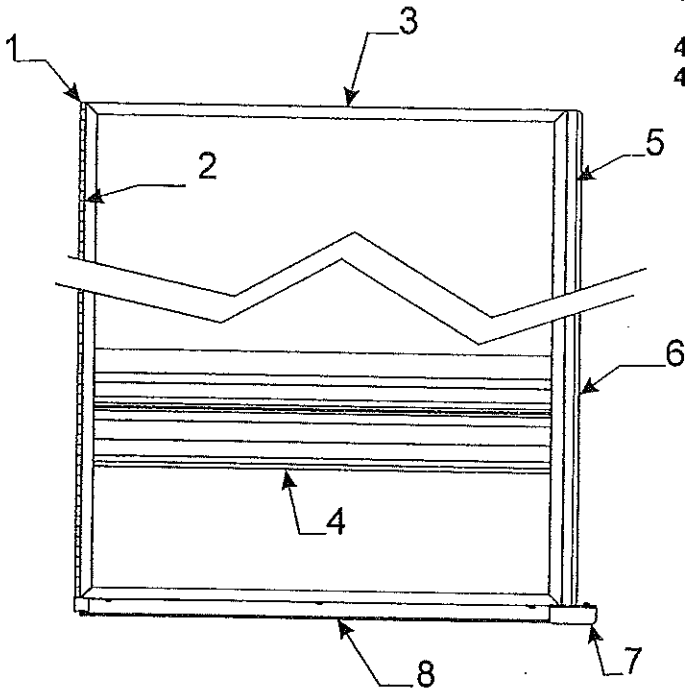
* 1.50 Flat Rate Front Panel/2.50 Rear Panel

Flat Rate	Front & Rear Body Panel Components	Flat Rate	Code	Part #	Description
*	1 4772A1851 front body pnl.		8	4772-3811	crank hole cover plate
.75	2 4754-8681 front end rail			4733D0601	rivet m25 "arctic white"
.15	3 4714J08481 amber marker light		9	1032B24248	bolt x2
.10	4716A4571 amber lens (lens only)			1202B0468	washer x6 m10
.25	4733H1311 socket & harness			1202B1068	washer x2
	4747-2558 expansion rivet m25			1201B6068	nut x2
.15	4 4714J08581 red marker light	.30	10	4772-2421	screw plate angle 6"
.10	4716A4561 red lens (lens only)	.10	11	4772-2431	screw plate angle 21 1/2"
*	Note: refer to code # 3 for hardware		12	4772-3771	bumper
	5 4772B1861 rear body pnl.	.30	13	4756-9761	2" hole plug
.75	4741D96568 expansion rivet m25 "white"		14	4356512003P	trim tape pkg. 20' pc.
.20	6 4772-0261 rear end rail	.30	15	4772C3391	csr/rsf corner trim
.20	7 4765-3511 taillight w/license brkt's			4733-4138	tek screw x10
.10	7A 4749B4321 taillight	.50	16	4060400096F	screw cover (sold/foot)
	4716A1061 taillight lens			4772C3631	rsr/csf corner trim
	4747-2558 expansion rivet m25	.20	17	4733-4138	tek screw x10
				4060400096F	screw cover (sold/foot)
				4772A4151	rock guard w/trim cap
				4772-4821	rock guard trim cap
			18	4767-0888	www.com decal

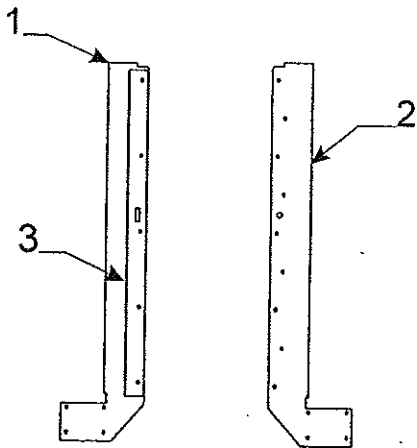


Note: Access Door less trim tape (must order separately)

4772-5151 Access Door Assy. "Krystal Kote" F.R. .50
 4772A5151 Access Door Assy. "Stucco Embossed" F.R. .50

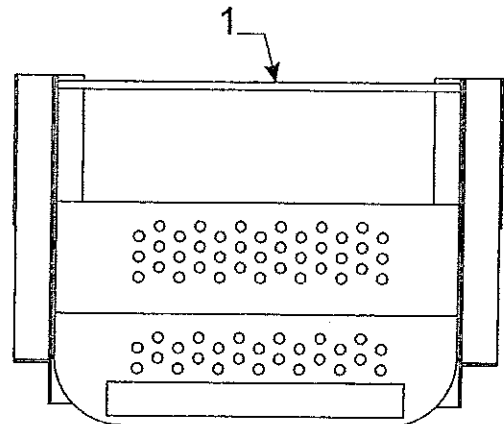
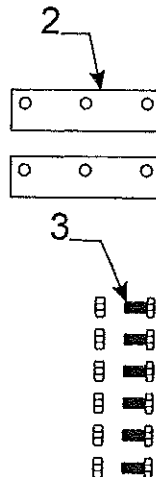


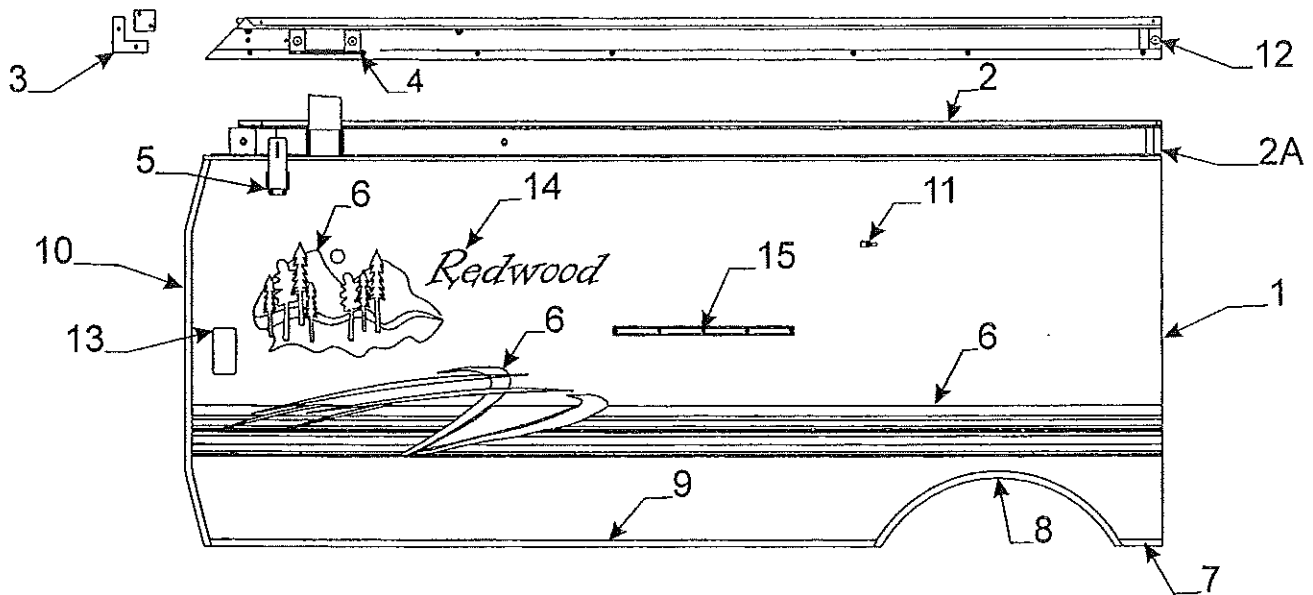
Flat Rate	Code	Part #	Description
.25	1	4772-0311	door hinge
.35	2	4772-0321	door frame
.25	3	4749C9821	door cap
.25	4	4356512003P	trim tape pkg. (20' pc.)
.20	5	4060000023P	d-seal pkg. (5' pc.)
.25	6	4772B0331	door frame
.25	7	4750-6451	closeout brkt.
		4716-081	screw x2
.25	8	4747C3611	bottom trim
		4745-3968	screw x2



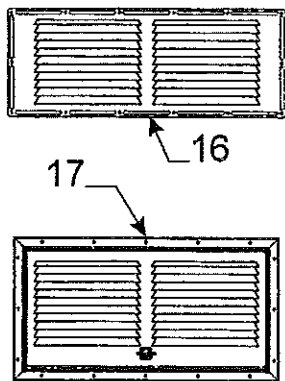
Flat Rate	Code	Part #	Description
1.25	1	4772-5141	csr bulkhead
1.25	2	4772-5131	csf bulkhead
.25	3	4772-0301	door seal angle
		4733D0601	rivet m25 "white"

Flat Rate	Step Code	Part #	Description
.50	1	4747A9741	step
	2	4750-3361	step shim x2
	3	1200B3048	bolt x6
		1201B6068	nut x6

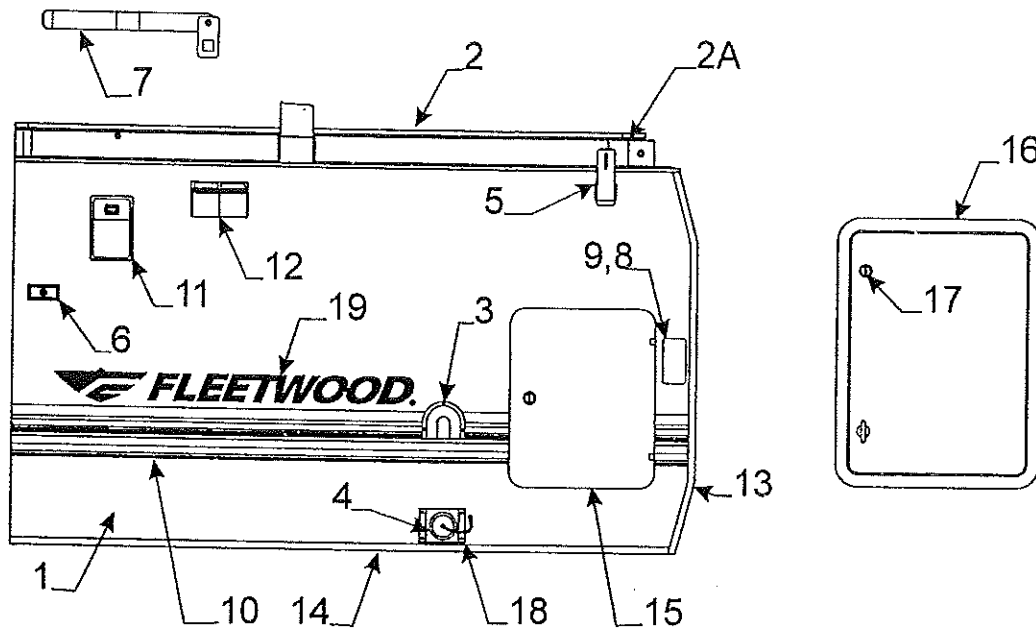




4716-0721 Curbside Trim Tape/Hardware Kit



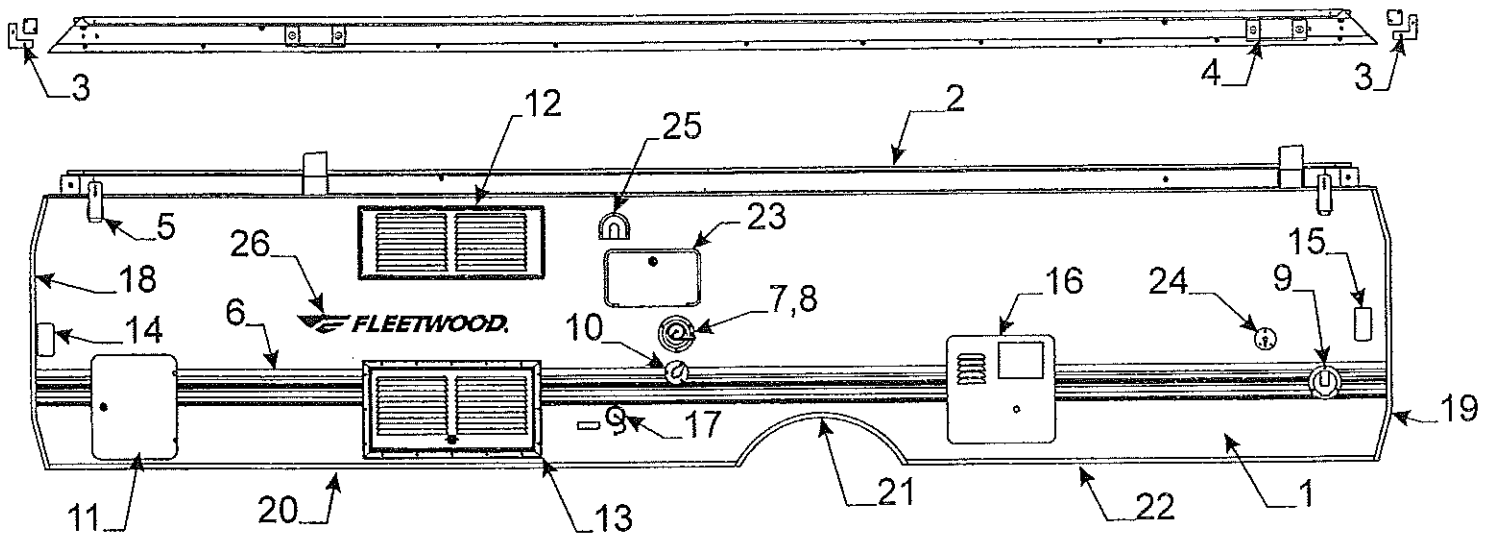
Flat Rate	Curbside Right Rear Body Pnl. & Components Code	Part #	Description
1.00	1	4772-1751	csr body pnl. "Krystal Kote" 3831,32
1.00		4772A1751	csr body pnl. "Stucco Embossed" 3831,32
1.00		4772A4981	csr body pnl. 3833 Hemlock
1.00	2	4772-3621	csr body rail 3831,32
1.00		4772-8031	csr body rail 3833
.10	2A	4716-2771	vel-stick body rail pkg.
.15	3	4716-7061	miter cover pkg. m4
.25	4	4734C4121	lift trim pkg. m4
		4733-3398	nylon flange bushing x2
.15	5	4741C6041	top latch w/out lock tab
		4767-1701	ss tek screw 1 1/2" m12
		4749-4848	foam pad
.50	6	4716-0721	trim tape & hardware kit
.25	7	4772-8881	bottom trim 8 3/4"
.25	8	4772-3401	wheel well trim
.25	9	4772A3201	bottom trim csr 60"
.30	10	4772C3391	corner trim csr/rsf
		4733-4138	tek screw x10
		4060400096F	screw cover (sold/foot)
.15	11	4738-3941	turn button & rivet
	12	1203-8831	rivet m25
.15	13	4714J08581	red marker light
.10		4716A4561	red lens (lens only)
.25	14	4772-3048	Redwood name decal 3832
.25		4772-1878	Sequoia name decal 3831
.25		4772-8048	Hemlock name decal 3833
.25	15	4750A8481	stove support brkt.
		4745-3968	screw
		4744C2461	torx screw m2
		1201B6958	nut x2
.50	16	4747D8321	refrigerator vent "upper"
		4745-3968	painted screw arctic wht. x4 per vent
.50	17	4747D8331	refrigerator vent hinged "lower"



*Used on units prior to 9/17/03

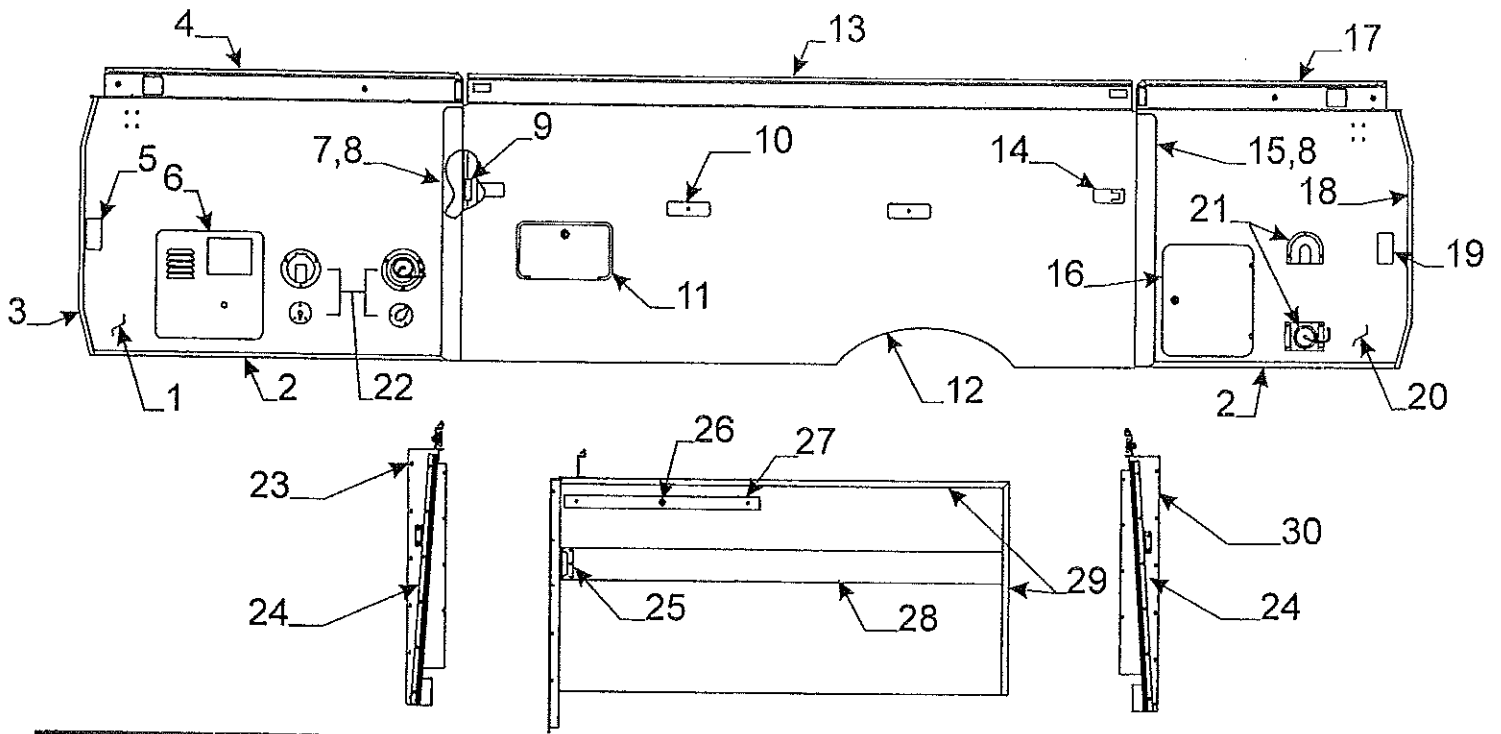
**Used on units starting on 9/17/03 and thereafter

Flat Rate	Code	Part #	Description
.85	1	* 4772-1741	csf body panel "Krystal Kote" 3831 Sequoia
.85		** 4772A1741	csf body panel "Krystal Kote" 3831 Sequoia
.85		4772B1741	csf body panel "Stucco Embossed" 3831 Sequoia
.85		4772-3421	csf body panel "Krystal Kote" 3832 Redwood
.85		4772A3421	csf body panel "Stucco Embossed" 3832 Redwood
.85		4772A8141	csf body panel 3833 Hemlock
1.00	2	4772-0241	csf body rail 3831, 3832
1.00		4772-8151	csf body rail 3833 Hemlock
.10	2A	4716-2771	vel-stick body rail pkg.
.15	3	4757-9261	vent cover "plastic"
.10	4	4714A2861	cap & strap
.15	5	4741C6041	top latch w/out lock tab
		4767-1701	ss tek screw 1 1/2" m12
1.00	6	4730C3111	lock handle (with key)
1.00	7	4772-6411	latch, strike & lever
.15	8	4714J08481	amber marker light
.10	9	4716A4571	amber lens (lens only)
.50	10	4716-0721	trim tape & hardware kit
.25	11	4757A1881	porch light
.10		4716A1881	porch light lens
.25	12	4746A3861	duplex cover & outlet
.35		4746-3871	duplex box
		1203-8678	rivet m25
.30	13	4772C3631	csf corner trim
		4060400096F	screw cover (sold/foot)
.25	14	4772-3181	bottom trim csf 60"
.50	15	4759-6341	potty hatch dr. 3831 Sequoia
.15		4751D8301	potty door cam lock 3831 Sequoia
.50	16	4772-8161	storage hatch door 3833 Hemlock
.15	17	4772-9201	hatch door cam lock 3833 Hemlock
		4716-1751	key ch751
.15	18	4772A4161	hat section 3831 Sequoia
.25	19	4761-1958	Fleetwood decal

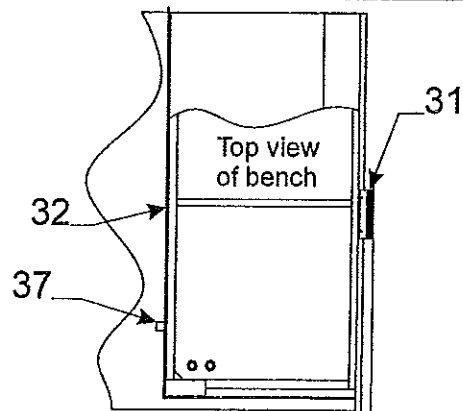
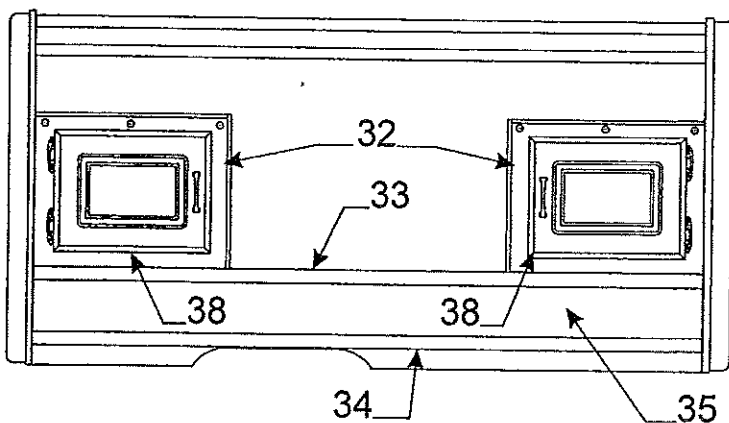


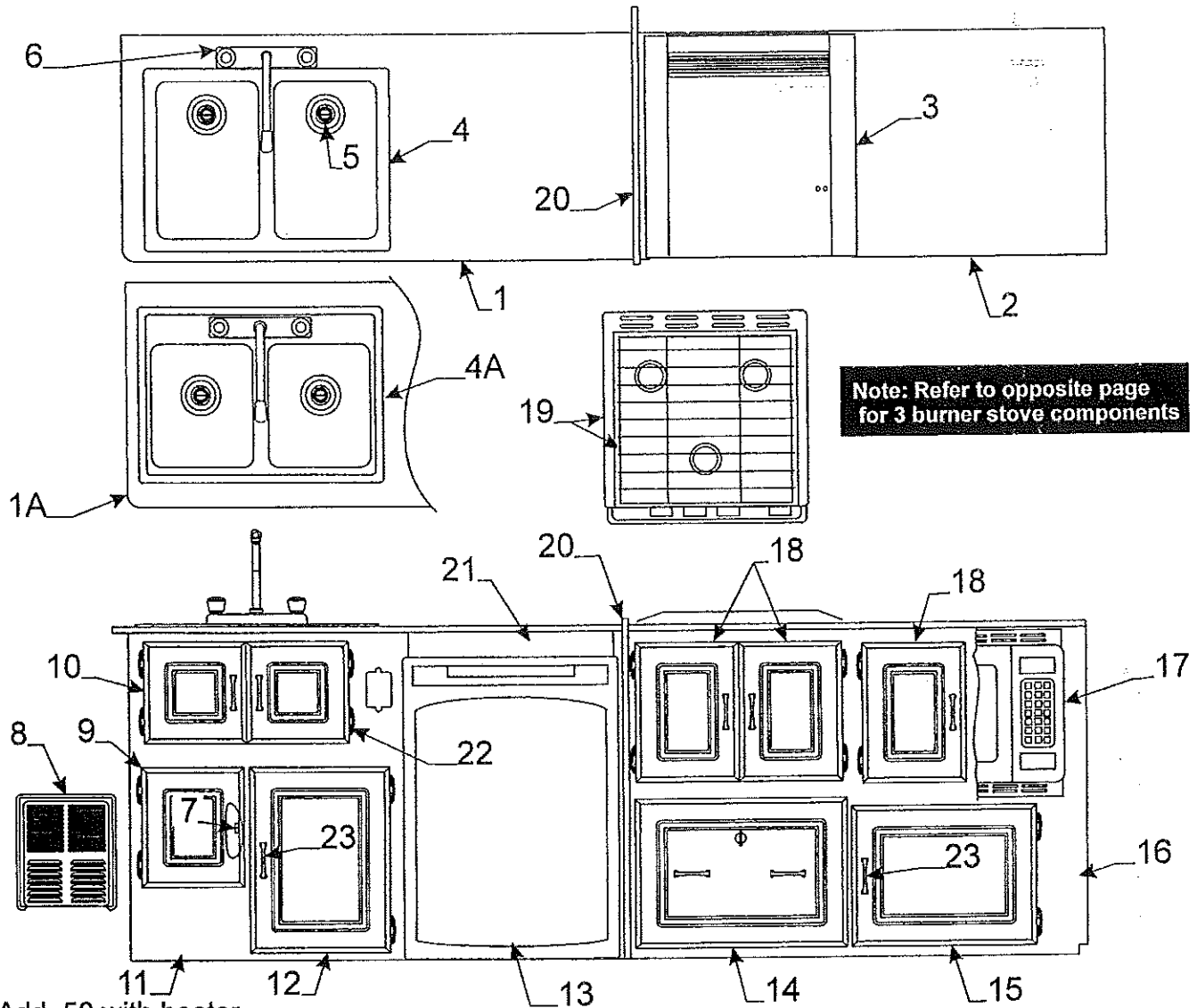
4716-0731 Roadside Trim Tape/Hardware Kit			
Flat Rate	Code	Part #	Description
	Roadside Left Body Panel & Components		
*1.00	1	4772-1731	left side body pnl. "Krystal Kote" 3831
*1.00	1	4772A1731	left side body pnl. "Stucco Embossed" 3831
*1.00		4772-3411	left side body pnl. "Krystal Kote" 3832
*1.00		4772A3411	left side body pnl. "Stucco Embossed" 3832
3.00	2	4772-0231	left side body rail (all)
		4757-0731	wire grommet & nut
.10		4716-2771	vel-stick body rail pkg.
.15	3	4716-7061	inner/outer miter cover pkg. m4
.25	4	4734C4121	lift trim, rivets & gasket pkg. m4
.15	5	4741C6041	top latch w/lock tab
		4767-1701	ss tek screw 1 1/2" m12
		4749-4848	foam pad
.50	6	4716-0731	trim tape & hardware kit
.30	7	4731D1711	water tank spout
	8	4741-3508	hex head tek screw x3
.15	9	4733B23361	cable hatch
.30	10	4732F1521	city fill
.50	11	4759-6341	hatch door
.50	12	4747D8321	refrigerator vent "upper"
		4745-3968	painted screw arctic wht. x4 per vent
.50	13	4747D8331	refrigerator vent hinged "lower"
.15	14	4714J08481	amber marker light
.10		4716A4571	amber lens (lens only)
.25		4733H1311	socket & harness
		4747-2558	expansion rivet m25
.15	15	4714J08581	red marker light
.10		4716A4561	red lens (lens only)
.25	16	4716-1331	water heater door
.10	17	4714A2861	drain cap & strap
.30	18	4772C3391	corner trim csr/rsf
		4733-4138	tek screw x10
		4060400096F	screw cover (sold/foot)
.30	19	4772C3631	rsr body corner trim
.25	20	4772A3221	bottom trim rsf 88 1/2"
.25	21	4772-3401	wheel well trim
.25	22	4772A3211	bottom trim rsr 60"
.25	23	4750B5861	o/s shower complete
.25	24	4757A4871	coax out-let
		4741A9101	hex head screw m10
.15	25	4757-9261	vent cover "plastic"
.25	26	4761-1958	Fleetwood decal

- * Add .50 For Heater Vent
- * Add 1.00 For Refrigerator
- * Add .50 For Hot Water Heater



Flat Rate	Code	Part #	Description	Flat Rate	Code	Part #	Description
1.50	1	4772A8101	left front body panel	1.50	20	4772A3421	left rear body panel
.25	2	4772A3211	bottom trim	.15	21	4757-9261	vent cover "plastic"
.30	3	4772C3391	corner trim csr/rsf	.25		4714A2861	cap & strap
		4733-4138	tek screw x10	.15		4772A4161	hat section
		4060400096F	screw cover (sold/foot)		22		Note: refer to page 25 for this item
1.00	4	4772-8091	left frt. body rail	1.65	23	4772A6801	bulkhead left front
.15	5	4714J08481	amber marker light	.35	24	4772-8211	glide-out seal track
.25	6	4716-1331	water heater door			4064700589P	side seal "black" pkg. (8' pc.)
.25	7	4772A8731	angle seal front			4066500049P	wipe seal 2 5/8" (10' pc. pkg.)
	8	4060000023P	d-seal pkg. "white" (5' pc.)	.15	25	4756-2171	lock boot w/cover plate
.75	9	4756A4171	strike w/screws		26	4730A3548	stud w/screw
.75	10	4756-1181	pull handle	.25	27	4754-3811	vel-stick (must cut to size)
		4738-2608	tek screw "black"	.50	28	4756-8471	ABS ware strip x2
.25	11	4750B5861	o/s shower complete	.20	29	4756C1461	u-channel 48" pc.
1.00	12	4772-6981	glide-out body panel	1.65	30	4772B6811	bulkhead left rear
.75	13	4756A9951	glide-out body rail	.10	31	4756-1151	5 1/2" brush seal
.75	14	4755-4091	latch & gasket		32	4716B2721	universal luan bench panel
.25	15	4772A8741	angle seal rear	.50	33	4757B2161	edge cap "painted maple"
.50	16	4759-6341	hatch door	.50	34	4757-2351	floor sweep
1.00	17	4772-8051	left rear body rail	.25	35	4756B6041	wood kick plate assy.
		4757-0731	wire grommet & nut	1.25	36	3568803202P	ware plate "galvanized" 30x55
.30	18	4772C3631	rsr body corner trim				Note: Plate located on bottom side of floor
.15	19	4714J08581	red marker light		37	4724-2608	stop button
.10		4716A4561	red lens (lens only)	.15	38	4756A8921	door panel

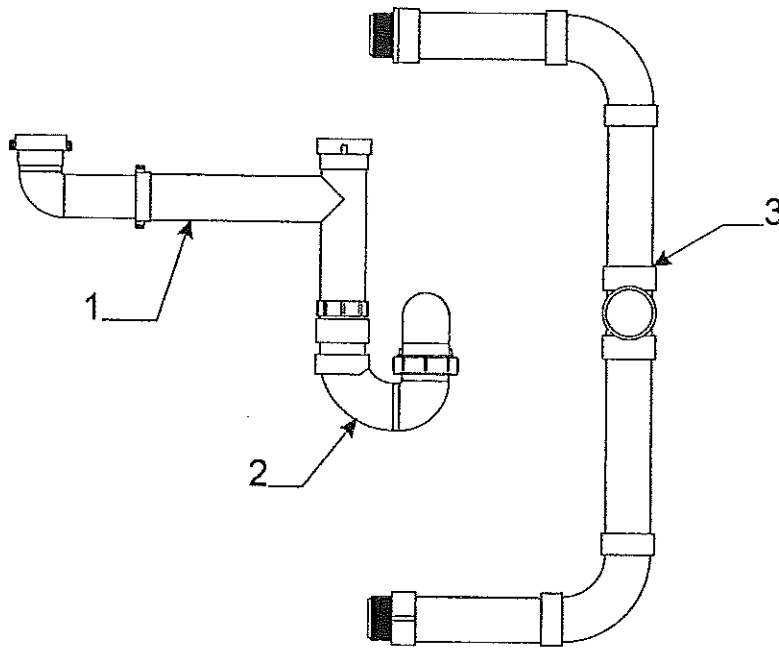




* Add .50 with heater

Galley Components - 3831, 3832, 3833

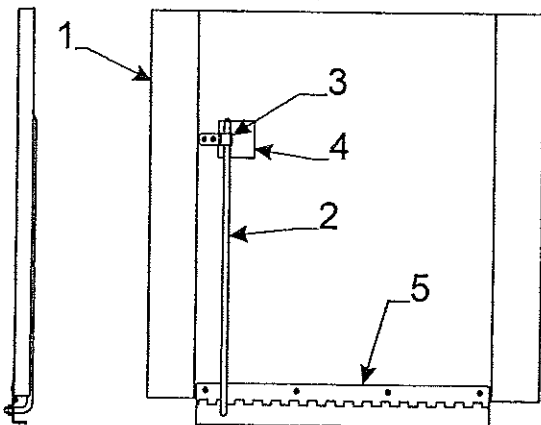
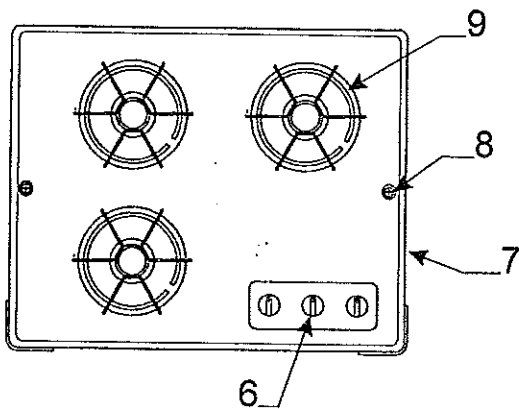
Flat Rate	Code	Part #	Description	Flat Rate	Code	Part #	Description
1.00	1	4772A0641	galley top "Sterling sink"	.15	12	4772-1181	door panel 14" x 18 1/2"
1.00	1A	4772B0641	galley top "Revere sink"		13	4772-2451	refrigerator 3.0 cu. ft.
1.00		4772-8291	galley top 3833	.15	14	4772-1991	drawer frt. 14 3/4" x 21
.30		4060475002P	t-molding pkg. (9' pc.)	.15		4772-5811	drawer assy.
1.00	2	4772-0531	top "oven/range" 3831,32	.15	15	4772-1191	door panel 18 1/2" x 14"
1.00		4772A0531	top "3 burner stove" 3831,32	1.00	16	4772A0521	galley frt. oven/range 3831
1.00		4772-8241	top "oven/range" 3833	1.00		4772B0521	galley frt. 3 burner stove 3831
1.00		4772A8241	top "3 burner stove" 3833	1.00		4772-1351	galley frt. oven/range 3832
.30		4060475002P	t-molding pkg. (9' pc.)	1.00		4772A1351	galley frt. 3 burner stove 3832
.30	3	4772-5701	oven/range cover assy.	1.00		4772-8231	galley frt. oven/range 3833
.15		4772A1801	steel prop rod	1.00		4772A8231	galley frt. 3 burner stove 3833
.80	4	4765B0091	daul sink "Sterling"	.20	17	4765B0121	microwave
.80	4A	4767-0921	daul sink "Revere"	.15	18	4772-1921	door panel 11" x 14"
.25	5	4730E3151	crumb cup & basket	.05	19	4716-2901	range/oven grate
.05		4714C0661	crumb cup	.10		4716A2911	range/oven cook top
1.00	6	4765A1941	faucet	.50	20	4772A0561	galley gazoodi
.15	7	4733-6391	latch & strike pkg.	.20	21	4772A0631	galley front (all)
.10	8	4743-3551	furnace grill	.10	22	4739B0518	hinge
.15	9	4772-1221	door panel 12" x 9"	.10		4745C26188	hinge (spring loaded)
.15	10	4772-1161	door pnl. 10 1/4" x 10 1/4"	.10	23	4755A2681	door pull (includes screw)
1.00	11	4772A0611	galley front lt. 3831, 3832				
1.00		4772A8271	galley front lt. 3833				



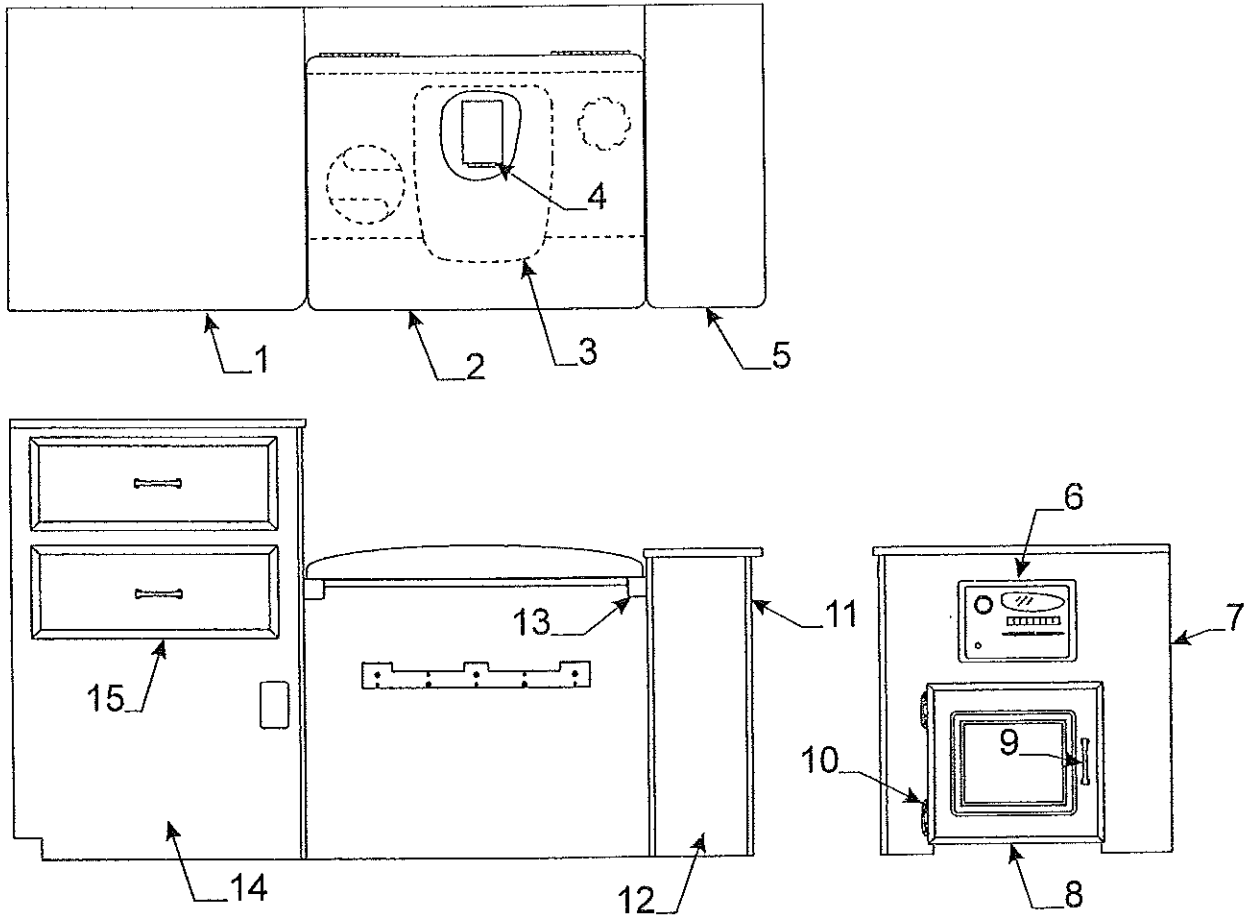
* Note: galley drain assy. used on unit w/Sterling sink

**Note: galley drain assy. used on units w/Revere sink

Flat Rate	Sink Drain Component parts		
	Code	Part #	Description
.40	1	4772-4791	dual sink drain
.40	2	4752-3621	p-trap w/union joint
.75	3	* 4772-5481	galley drain assy. (Used on unit w/Sterling sink)
.75		**4772A5481	galley drain assy. (Used on units w/Revere sink)
.75		4772-6951	galley drain assy. 3833 Hemlock

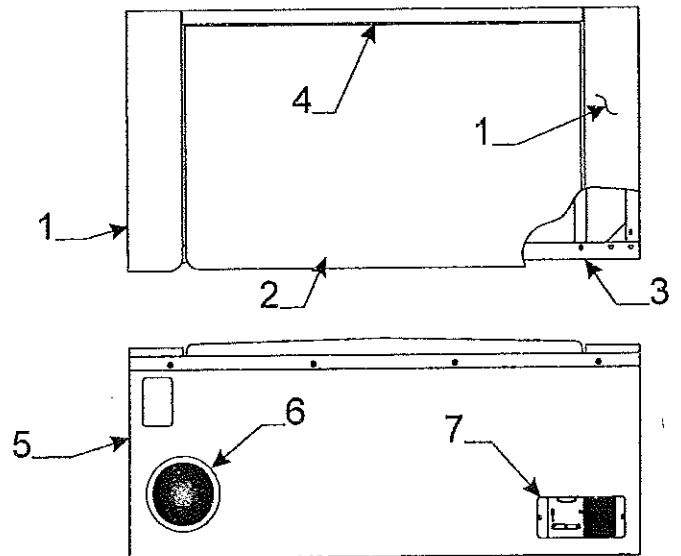


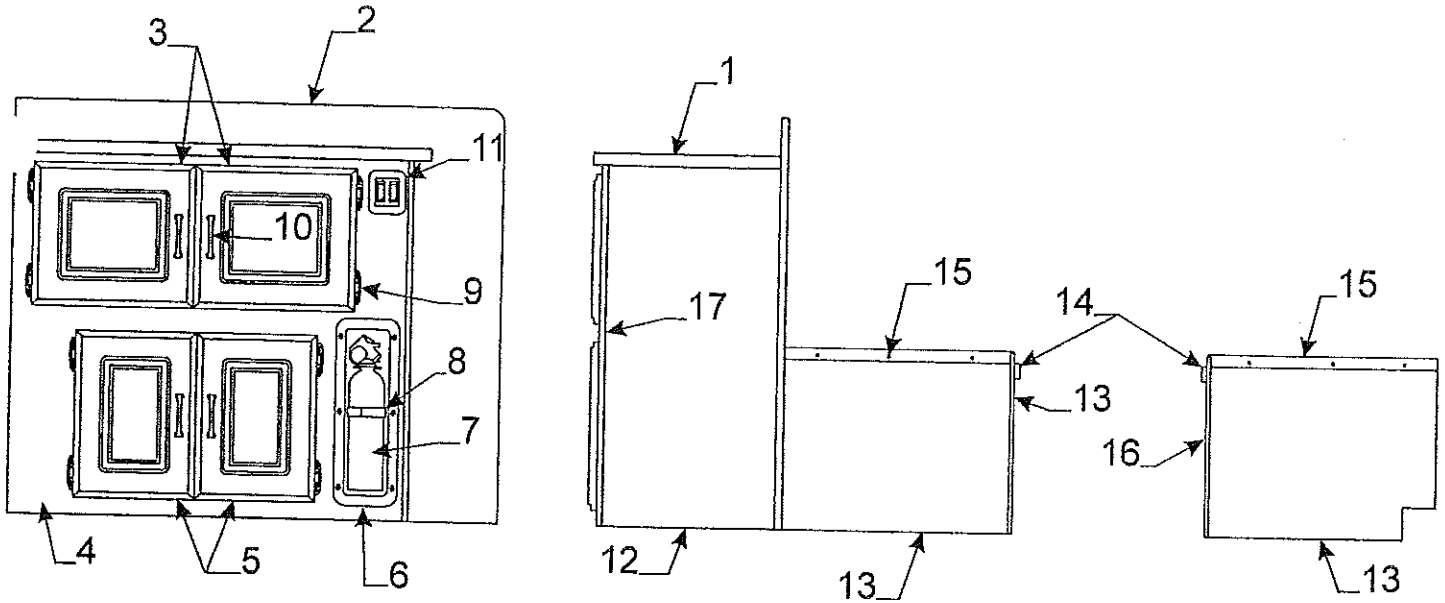
Flat Rate	3 Burner Stove/Stove Cover Component Parts		
	Code	Part #	Description
.15	1	4772A5701	3 burner stove cover assy.
		4772-5701	oven/range cover assy.
.15	2	4772A1801	steel prop rod
		4772-2838	nylon washer x2
		1201B6378	nut
.10	3	4720A0721	plastic clip m2
		4734J1861	rivet "black" m25
.25	4	4350000126	flex-tred abrasion tape
.25	5	4772A3971	cover hinge
.05	6	4716A1861	knob
.15	7	4763-1461	3 burner cook top "Black"
.05	8	4716-2631	stove top screw/washer m2
.05	9	4752A9881	stove grate x3
.75	10	4763-1451	3 burner stove box



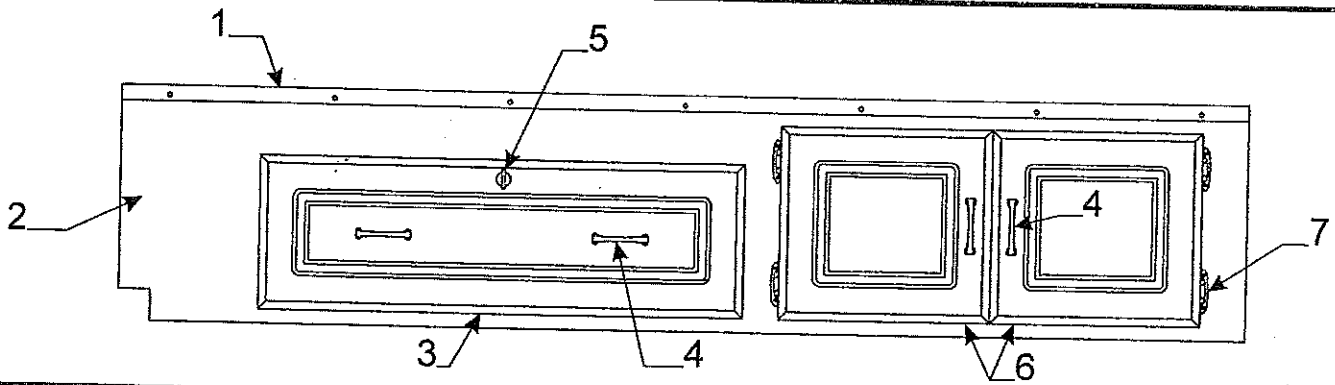
Flat Rate	Potty Cabinet 3832 Redwood (curbside frt.)	Code	Part #	Description	Flat Rate	Code	Part #	Description
.25	1	4772-1281	corner cabinet top	.55	7	4772-3261	cabinet side	
.30		4060475001P	t-molding pkg. (14' pc.)	.15	8	4757-4621	door pnl. 13 3/8" x 12 1/4"	
.20	2	4772-5491	flip-up lid	.10	9	4755A2681	door pull w/screws	
.75	3	4746C2461	cassette potty	.10	10	4745C26188	hinge	
.15	4	4755C6911	flip-up lid prop (metal)	.35	11	4716B1421	5/32" f-channel 24" pc.	
.25	5	4772-1461	cabinet top	.30	12	4754E1361	cabinet front	
.30		4060475002P	t-molding pkg. (9' pc.)	.25	13	4754B0901	lid rest	
.50	6	4765A1121	stereo am/fm/cd	.55	14	4772A1251	hutch front	
				.15	15	4772-6401	drawer assy. x2	

Flat Rate	Frnt. Center Seat Bench 3832 Redwood	Code	Part #	Description
.25	1	4772-2361	bench top rt/lt	
.30		4060475001P	t-molding pkg. (14' pc.)	
.20	2	4772A3231	flip-up lid	
.75	3	4772-5961	bench frame	
.15	4	4772-2381	filler	
.25	5	4772-1461	cabinet top	
.30		4060475002P	t-molding pkg. (9' pc.)	
.50	6	4765-1131	speaker grill	
.25	7	4753-9171	lp gas detector	

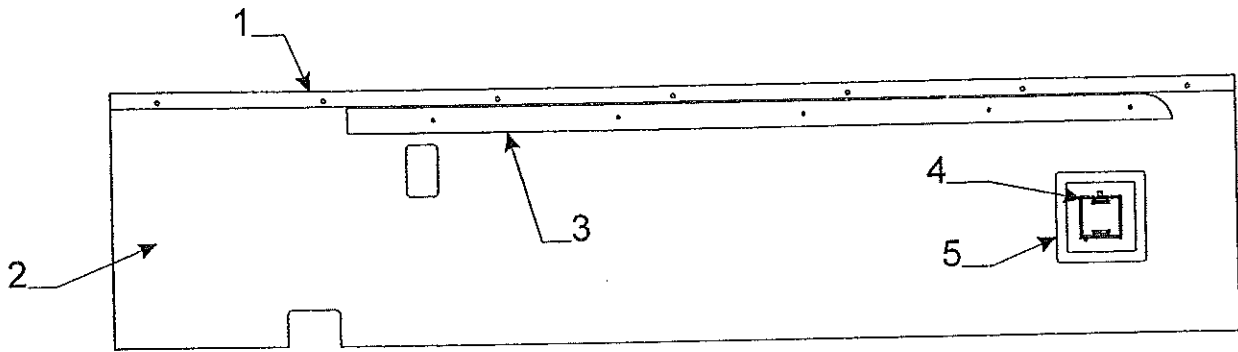




CSR Cabinet/bench 3832 Redwood							
Flat Rate	Code	Part #	Description	Flat Rate	Code	Part #	Description
.25	1	4772-1321	cabinet top	.05	8	4716-1191	fire extinguisher strap m2
.30		4060475001P	t-molding pkg. (14' pc.)	.10	9	4745C26188	hinge
.20	2	4772A1331	cabinet gazoodi	.10	10	4755A2681	door pull w/screws
.30		4060400091P	t-molding pkg. (12' pc.)	.10	11	4765-1481	double switch
.15	3	4757-4621	door pnl. 13 3/8" x 12 1/4"	.50	12	4772A1301	cabinet front
.15	4	4772A1291	cabinet side	.50	13	4716-6951	universal wood pnl. 48" x 48"
.15	5	4756B8891	door pnl. 14" x 10"	.15	14	4772-3831	table rest
.15	6	4737B4198	recessed mount	.15	15	4772-5521	bench frame
		4738-3088	screw x6	.15	16	4716C1421	5/32" f-channel 24" pc.
.10	7	4737A5558	fire extinguisher	.15	17	4716E0151	3/8" f-channel 48"

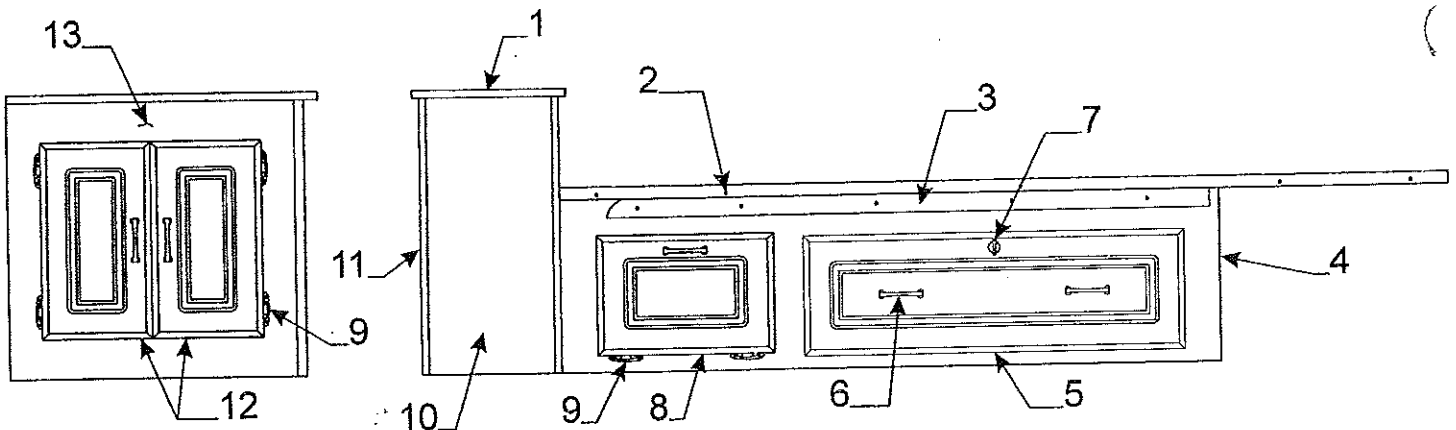


RS Bench 3832 Redwood							
Flat Rate	Code	Part #	Description	Flat Rate	Code	Part #	Description
.40	1	4772-5541	seat frame assy.	.10	4	4755A2681	door pull w/screws
1.25	2	4772-3541	bench front	.15	5	4757A9081	thumb turn lock
.15	3	4757A8501	drawer frt. 9 1/4" x 30 1/4"	.15	6	4757-4621	door pnl. 13 3/8" x 12 1/4"
.15		4753J5451	drawer assy.	.10	7	4745C26188	hinge



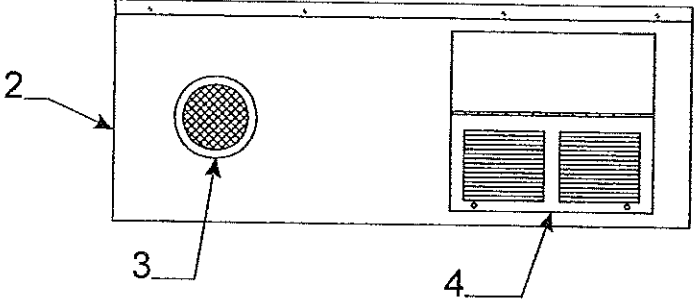
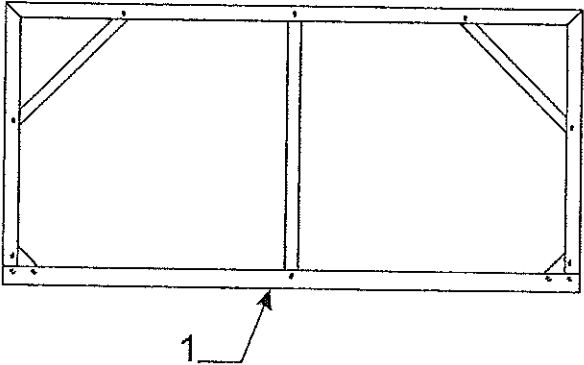
Flat Rate	Code	Part #	Description
.40	1	4772-5541	seat frame assy.
.50	2	4772-0791	bench front
.15	3	4772B2041	table rest
*	4	4752A8461	thermostat
.20	5	4747-8391	plastic base & bracket

* Warranted Through Vendor

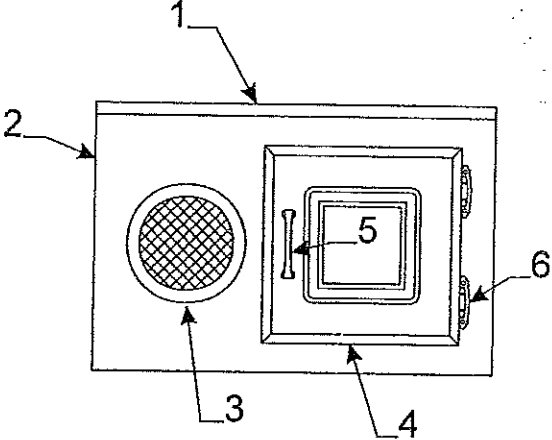


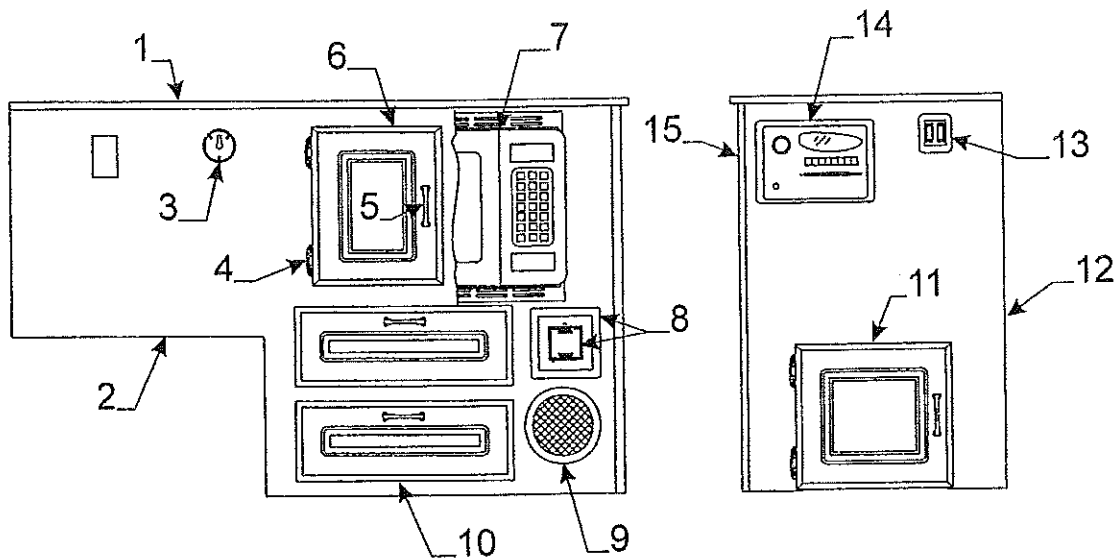
Flat Rate	CS Cabinet/Bench Code	Part #	3831 Sequoia Description	Flat Rate	Code	Part #	Description
.75	1	4772A0721	bench cabinet top	.15	7	4757A9081	thumb turn lock
.40	2	4772-5241	seat frame assy.	.15	8	4757-4621	door pnl. 13 3/8" x 12 1/4"
.15	3	4772B2041	table rest	.10	9	4745C26188	hinge
1.00	4	4772-0781	bench front	1.25	10	4772-0751	cabinet frt.
.15	5	4757A8501	drawer frt. 9 1/4" x 30 1/4"	.65	11	4716E0151	3/8" f-channel (48" pc.)
.15		4772-5821	drawer assy.	.15	12	4772-1221	door pnl. 9 1/2" x 15 7/8"
.10	6	4755A2681	door pull w/screws	.50	13	4772-0741	cabinet side

Rear Center Seat Bench 3831 Sequoia			
Flat			
Rate	Code	Part #	Description
.25	1	4772-5221	seat bench frame
.20	2	4772-0701	bench front
.50	3	4765-1131	speaker grill
1.00	4	4772-2441	converter 35 amp



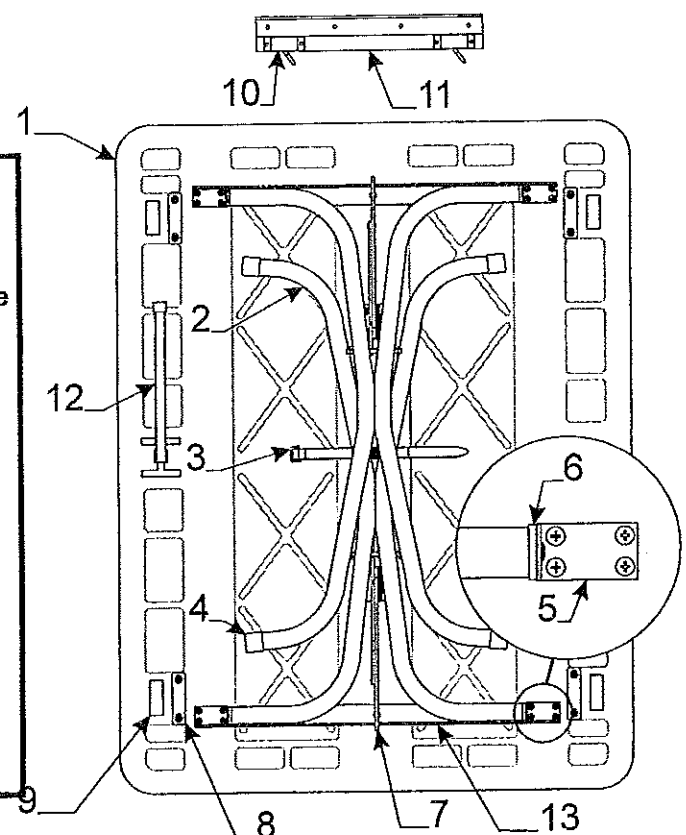
Rear Center Step Cabinet 3832 Redwood			
Flat			
Rate	Code	Part #	Description
.25	1	4772-3341	cabinet top
.20	2	4772-3291	cabinet front
.50	3	4765-1131	speaker grill
.15	4	4772-1161	door pnl. 10 1/4" x 10 1/4"
.10	5	4755A2681	door pull w/screws
.10	6	4745C26188	hinge

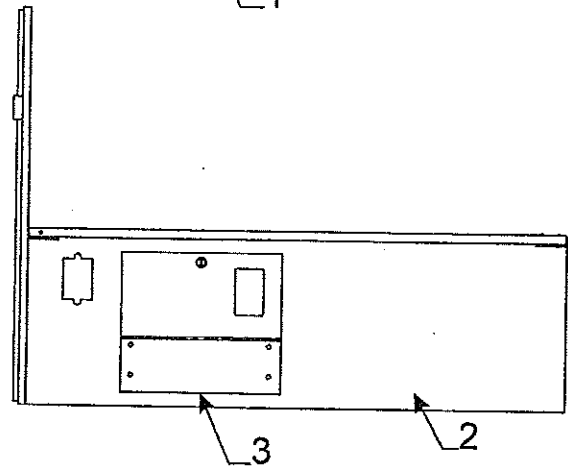
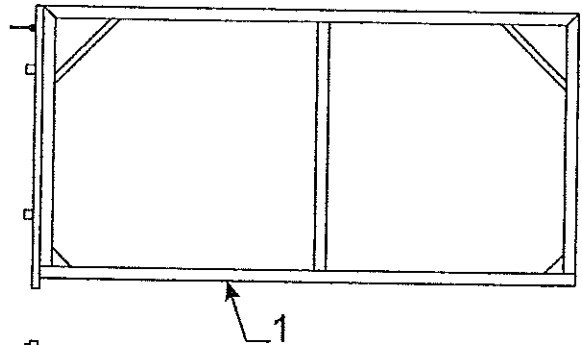
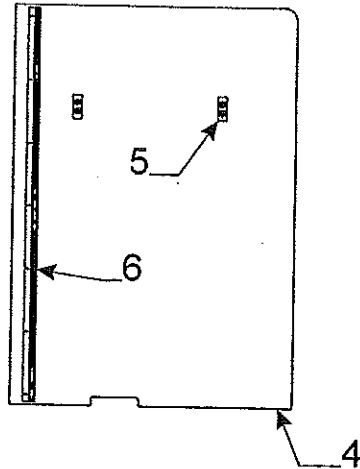




Flat Rate	Code	Part #	Description	Flat Rate	Code	Part #	Description
.75	1	4772-8311	cabinet top		8	4752-8461	thermostat
.30		4060475002P	t-molding (9' pc. pkg.)	.20		4747A8391	plastic base & bracket
1.00	2	4772-8321	cabinet front	.50	9	4765-1131	speaker grill
.15	3	4757A4871	coax out-let	.15	10	4772-6401	drawer assy. x2
.10	4	4745C26188	hinge	.15	11	4772-1161	door pnl. 10 1/4" x 10 1/4"
.10	5	4755A2681	door pull w/screws	.50	12	4772-8331	cabinet side
.15	6	4772-1921	door panel 11" x 14"	.10	13	4765-1481	double switch
.20	7	4765B0121	microwave	.50	14	4765A1121	stereo am/fm/cd

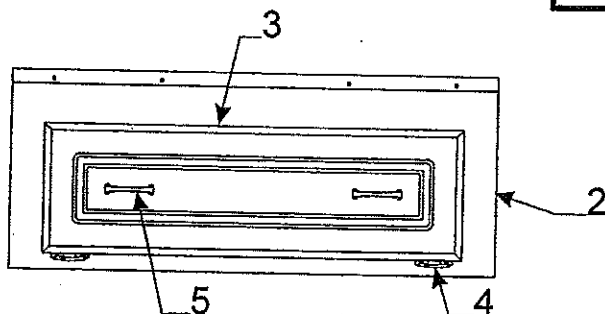
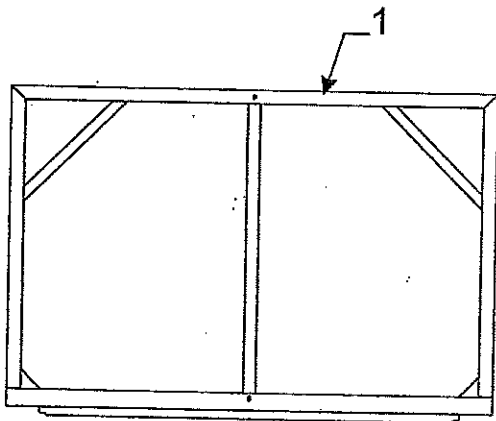
Flat Rate	Code	Part #	Description
.50	1	4759-4361	table top "plastic"
.50	2	4745J5271-	table leg package
Note: pkg. includes 2 legs & required mounting hardware			
.10	3	4751A9711	strap & screw pkg.
	4	4752-0551	white plastic cap m2
.15	5	4720F1211	table leg mounting brace m2
		1103E1018	5/8" wood screw
.15	6	4752A0561	table leg insert cap m2
		4747-2558	expansion rivet m2
.25	7	4744-6971	lock brace assy. x2
		1103E1018	5/8" wood screw
.15	8	4756-8741	table top plastic spacer m4
		1103B08148	7/8" screw (x2 per spacer)
.05	9	4724D2631	velcro fastener m4
.30	10	4741-8658	sash lock x2
.30	11	4772-6171	table bracket assy.
	12	4772A3701	table support leg
	13	4759-9601	table brace brkt. x2



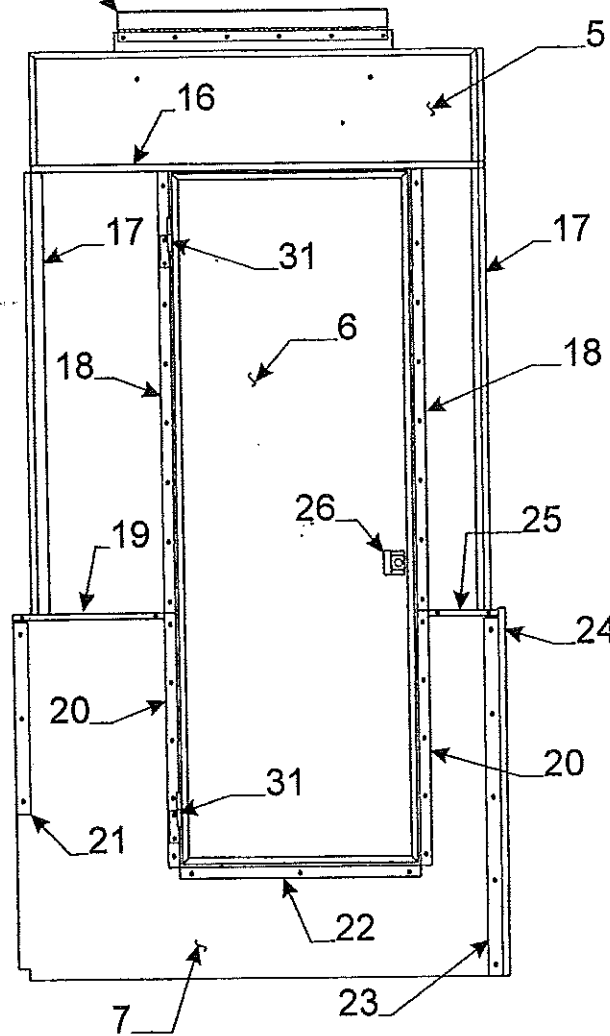
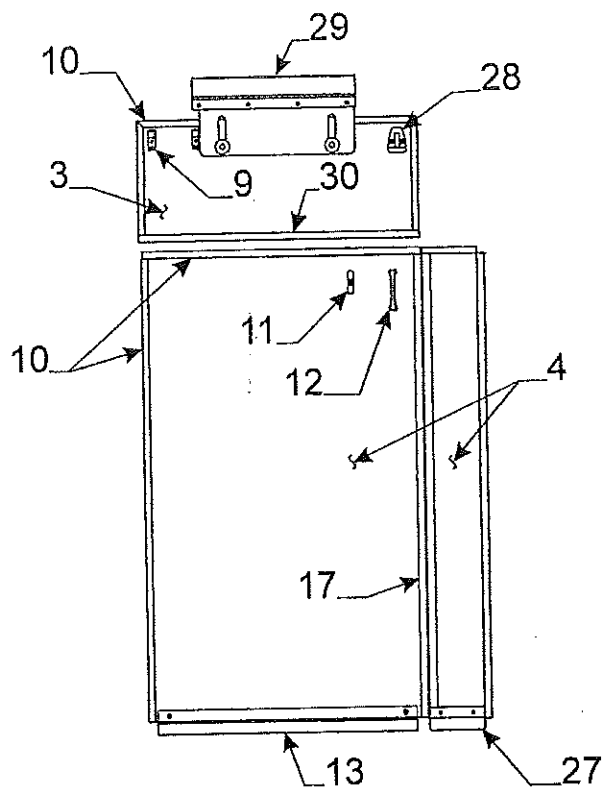
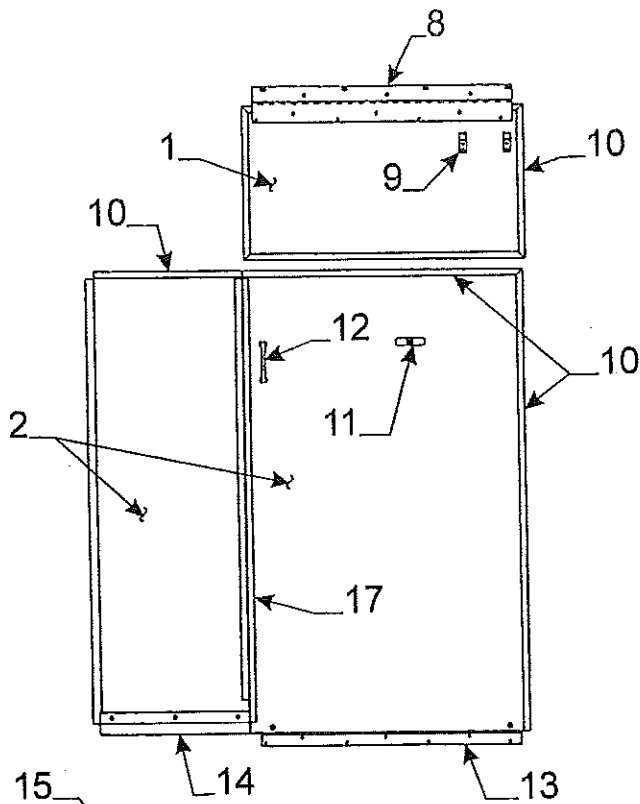


RS Front Seat Bench 3833 Hemlock Flat			
Rate	Code	Part #	Description
.25	1	4772-6861	seat bench frame
.20	2	4716B2721	bench front
1.00	3	4772-2441	converter 35 amp
.75	4	4772-8411	bench gazoodi
*	5	4755B8201	nylon block
	6	4772-8471	vertical extrusion
		4064700589P	sweep seal 8' pc.

*Prior Authorization from Factory needed

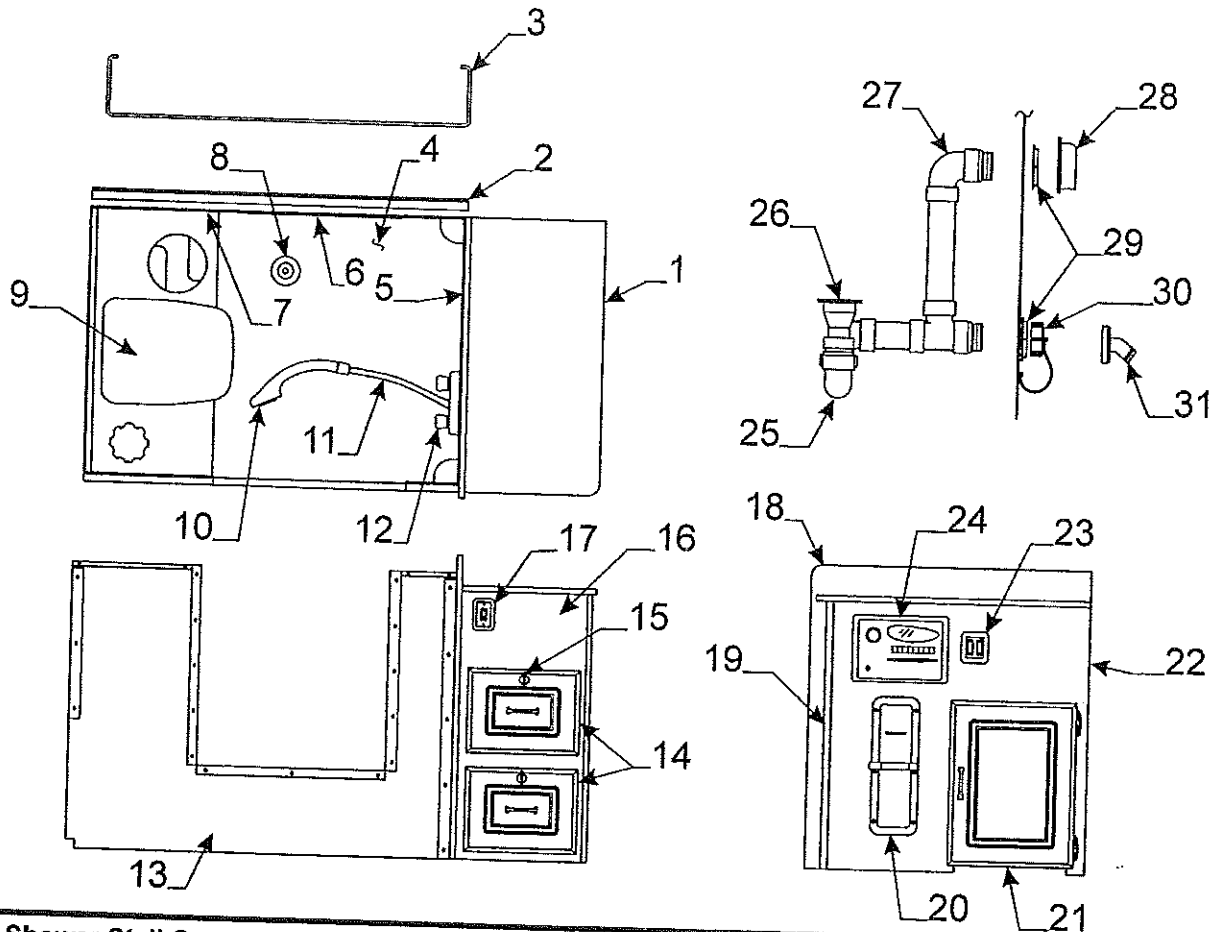


Front Center Seat Bench 3833 Hemlock Flat			
Rate	Code	Part #	Description
.25	1	4772-6881	seat bench frame
.20	2	4772A8461	bench front
.15	3	4757-8501	door panel 30 1/4" x 9 1/4"
.10	4	4745C26188	hinge
.10	5	4755A2681	door pull w/screws

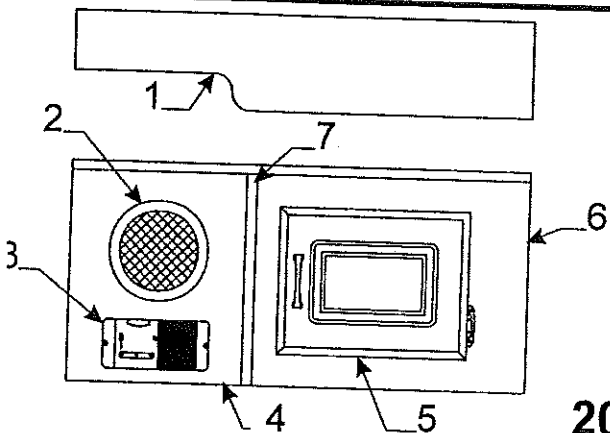


Shower Wall Assy.'s and Components 3831 Sequoia

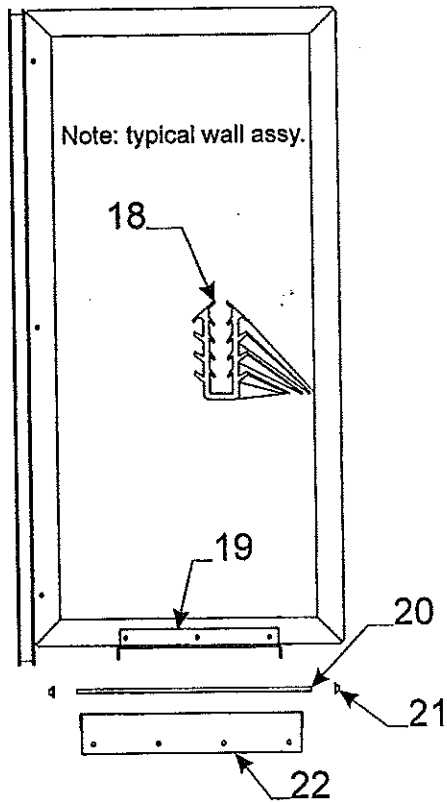
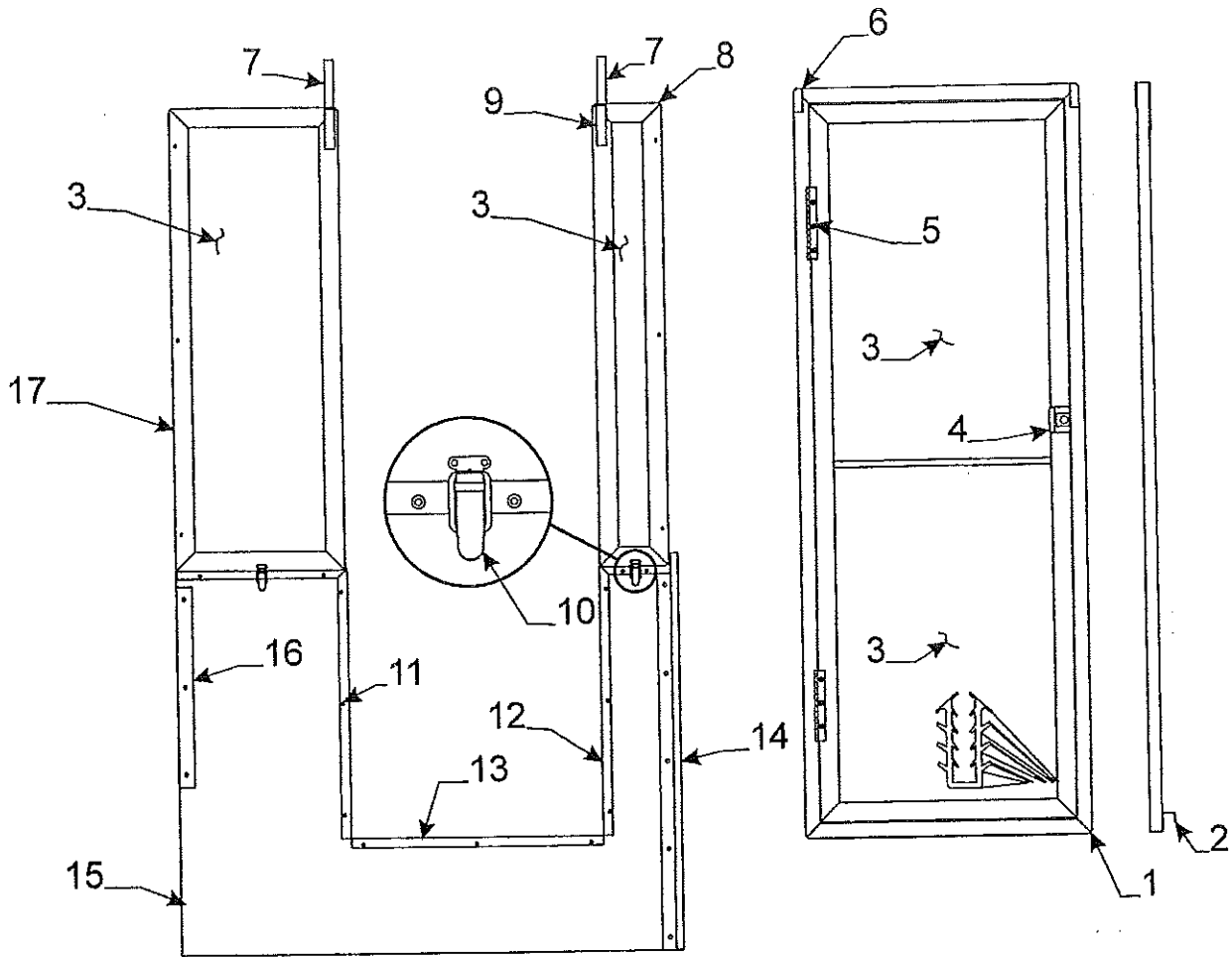
Flat Rate	Code	Part #	Description
.25	1	4772-6071	shower top left side assy.
.25	2	4772-6051	shower wall left side assy.
.25	3	4772-6041	shower top right side assy.
.25	4	4772-6061	shower wall right side assy.
.25	5	4772-6081	shower top front assy.
.10	6	4772-6131	shower door assy.
2.00	7	4772A3101	shower wall threshold
.15	8	4772-2051	mounting hinge
.10	9	4720A0721	plastic clip m2
.20	10	4756C1461	plastic u-channel 48" pc
.20	11	4757-0121	retainer brkt.
.10	12	4755A2681	door pull
.15	13	4772-27261	hinge
.15	14	4772-2621	bottom wall flange
.15	15	4772-3081	slider flap w/hinge
.20	16	4772-3001	closed end u-channel
.15	17	4772-3851	living hinge "plastic"
.20	18	4772A2601	upper door jamb
.10	19	4772-3141	shower wall cap lt.
.10	20	4772A3111	lower door jamb
.15	21	4772A3741	shower wall angle lt.
.10	22	4772A3161	threshold cap
.15	23	4772-3751	shower wall angle rt.
1.50	24	4772A0921	shower wall gazoodi
.10	25	4772-3131	shower wall cap rt.
.15	26	4772-2901	shower door latch
.10	27	4772-2611	bottom wall flange
.20	28	4750-1761	shower head brkt.
.20	29	4772-2701	slider flap w/hinge
.20	30	4772-2841	closed end u-channel
.15	31	4772A2921	hinge "black" x2



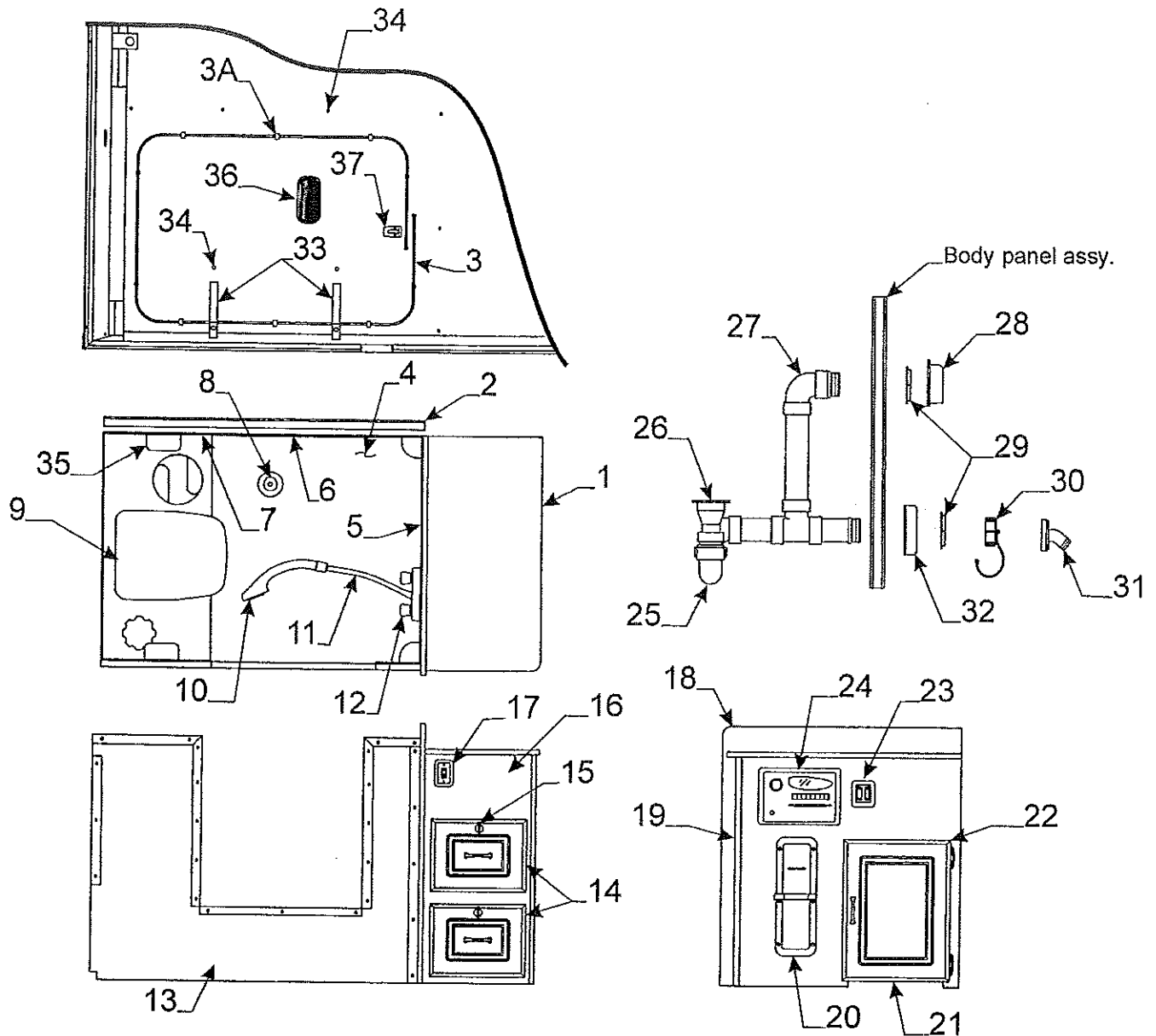
Flat Rate	Code	Part #	Description	Flat Rate	Code	Part #	Description
.50	1	4772-1151	cabinet top	.15	15	4757A9081	thumb turn lock
.30		4060475002P	t-molding pkg. (9' pc.)	.75	16	4772-0971	shower cabinet frt.
.20	2	4772-3151	retaining angle 41" "white"	.30	17	4765-1471	single switch
.10	3	4772-2941	shower curtain hanger rod	1.50	18	4772A0921	shower wall gazoodi
1.00	4	4772-2991	shower pan	.15	19	4716E0151	3/8" f-channel 48"
1.00	5	4772-2961	tub surround rt.	20	Note: Refer to page 15 for this item.		
1.00	6	4772-2981	tub surround center	.15	21	4772-1181	door pnl. 14" x 18 1/2"
1.00	7	4772-2971	tub surround lt.	.75	22	4772-0911	shower cabinet side
.50	8	4746A1821	basket & strainer	.30	23	4765-1481	double switch
.75	9	4746C2461	cassette potty	.50	24	4765A1121	stereo am/fm/cd
.15	10	4746A3761	shower head w/bracket	.40	25	4752-3621	p-trap w/union joint
.20	11	4741B2051	shower hose (72" length)	1.00	26	4757-8561	drain plug adapter
.10		4716-0848	shower hose connector	.20	27	4772A6151	tub drain vent
.50	12	4741B2071	shower diverter	.50	28	4757-9261	vent cover "plastic"
2.00	13	4772A3101	shower wall threshold	.10	29	4757-0921	metal nut "white"
.15	14	4772-1201	drawer pnl. 12 3/4" x 9 3/4"	.10	30	4714A2861	cap & strap
.15		4772-5801	drawer assy. x2		31	4737-9138	drain adapter
					32	4741D6361	tub package



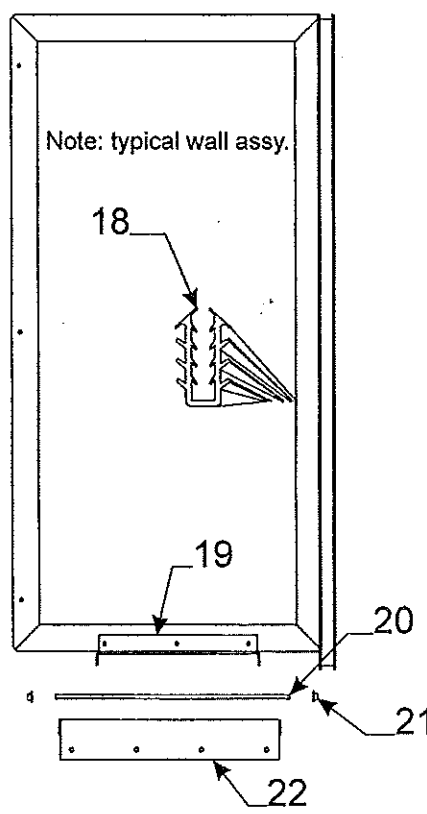
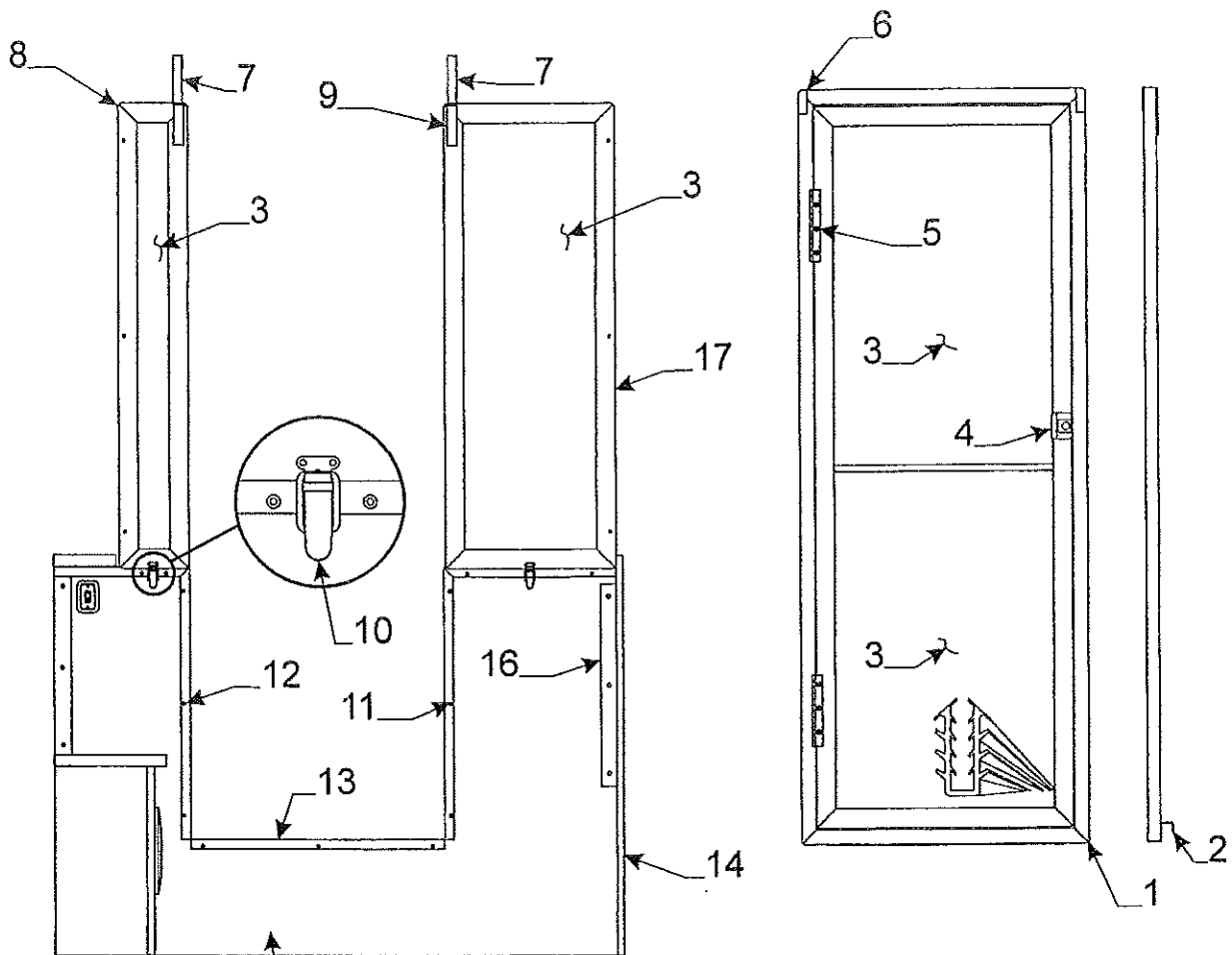
Flat Rate	Code	Part #	Description
.25	1	4772A2711	step top
.50	2	4765-1131	speaker grill
.25	3	4753-9171	lp gas detector
.50	4	4772-0431	speaker frt.
.15	5	4772-1171	dr. pnl. 12 3/4" x 9 3/4"
.50	6	4772-0451	cabinet front
.15	7	4716E0151	3/8" f-channel 48"



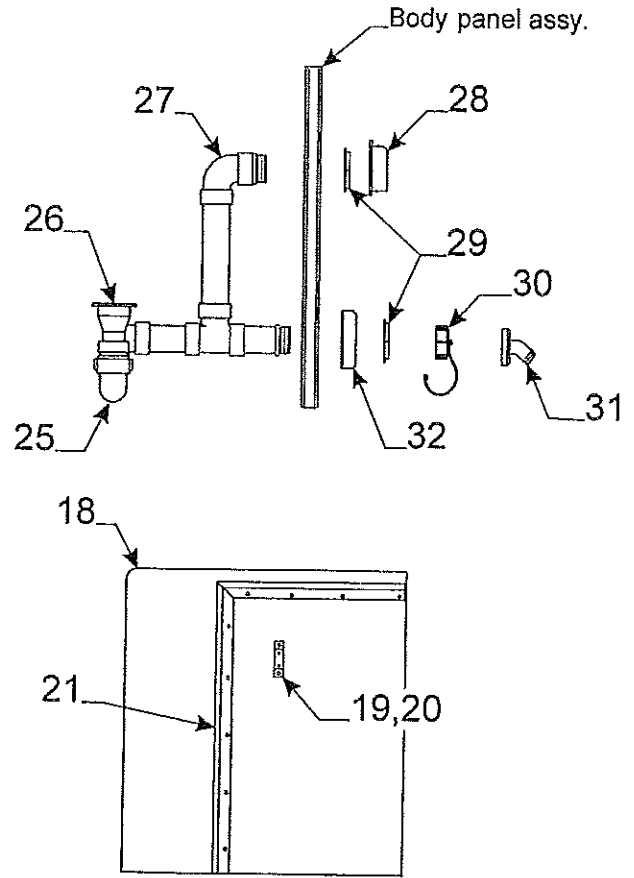
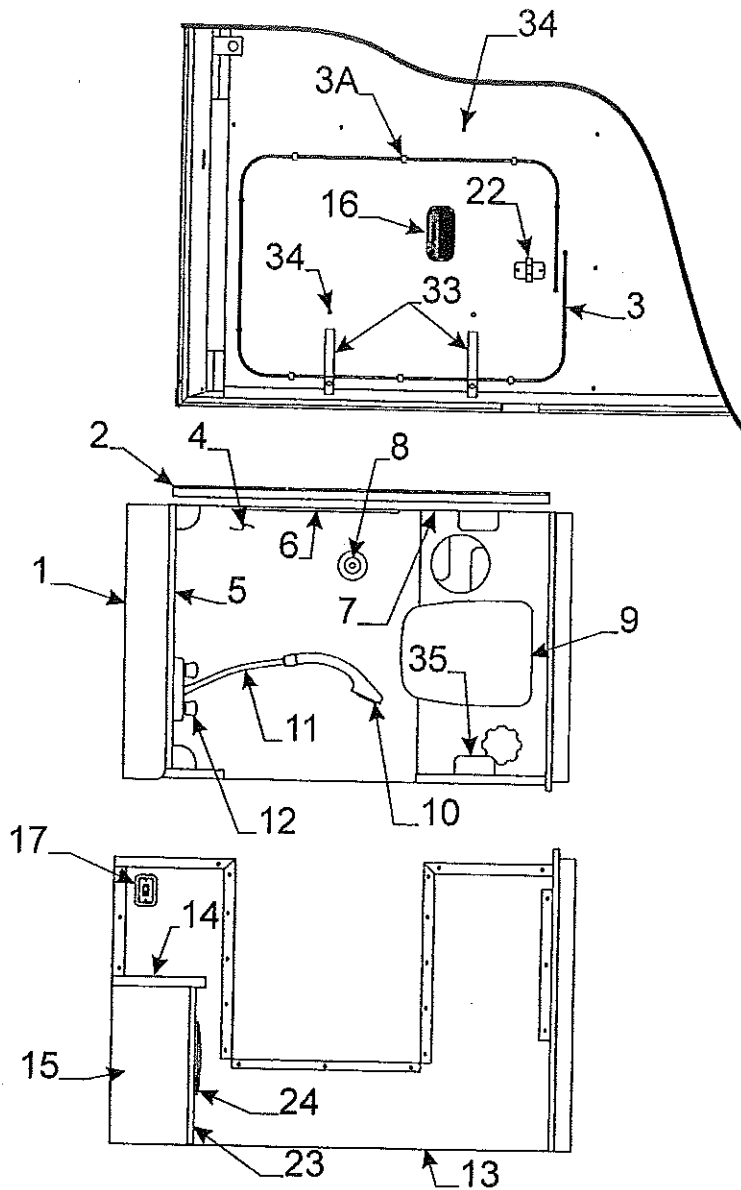
Flat Rate	Shower Stall Components 3831 Sequoia	Code	Part #	Description
.10	1	4772A6131	4772A6131	shower door "White" (complete)
.10		4772B6131	4772B6131	shower door "Brown" (complete)
.15	2	4772A4311	4772A4311	shower door stay brkt.
.40	3	4772-4461	4772-4461	universal fiberglass pnl. 21 1/8" 35 7/8"
.40		4772-9011	4772-9011	universal exterior luan pnl. 21 1/8" 35 7/8"
Note: must cut panels to size where applicable				
.15	4	4742-9671	4742-9671	latch assy.
.15	5	4758-8231	4758-8231	hinge
		4733D0601	4733D0601	wht. rivet m25
	6	4351400012F	4351400012F	gray velcro loop (sold/yd.)
.10	7	4772-6641	4772-6641	shower door strap assy. x2
.25	8	4772A6061	4772A6061	rt. shower wall assy. "White" (complete)
.25		4772B6061	4772B6061	rt. shower wall assy. "Brown" (complete)
	9	4351400005F	4351400005F	gray velcro hook (sold/yd.)
.15	10	4772-4261	4772-4261	latch & strike
.10	11	4772A3141	4772A3141	shower wall cap lt.
.10	12	4772A3131	4772A3131	shower wall cap rt.
.10	13	4772C3161	4772C3161	threshold cap
1.50	14	4772A0921	4772A0921	shower wall gazoodi
2.00	15	4772B3101	4772B3101	shower wall threshold
.15	16	4772A3741	4772A3741	angle short
.25	17	4772A6051	4772A6051	lt. shower wall assy. "White" (complete)
.25		4772B6051	4772B6051	lt. shower wall assy. "Brown" (complete)
	18	4060000086F	4060000086F	rubber seal (sold/foot)
.20	19	4772A4441	4772A4441	wall pivot bracket x2
.10	20	4772-4541	4772-4541	pivot rod & pal nuts x2
	21	1201B7071	1201B7071	pal nut m6
1.50	22	4772-4531	4772-4531	shower all pivot bracket x2



Flat Rate	Code	Part #	Description	Flat Rate	Code	Part #	Description
.50	1	4772-1151	cabinet top	.30	17	4765-1471	single switch
.30		4060475002P	t-molding pkg. (9' pc.)	1.50	18	4772A0921	shower wall gazoodi
.20	2	4772A3151	retaining angle "white"	.15	19	4716E0151	3/8" f-channel 48"
.50	3	4772A3871	shower curtain i-beam track	20	Note: Refer to page 15 for this item.		
.05	3A	4739-1201	i-beam mounting brkt. m12	.15	21	4772-1181	door pnl. 14" x 18 1/2"
		4753A9871	rivet m25	.75	22	4772-0911	shower cabinet side
1.00	4	4772-2991	shower pan	.30	23	4765-1481	double switch
1.00	5	4772A2961	tub surround rt.	.50	24	4765A1121	stereo am/fm/cd
1.00	6	4772A2981	tub surround center	.40	25	4752-3621	p-trap w/union joint
1.00	7	4772A2971	tub surround lt.	26	4757-8561	drain plug adapter	
.50	8	4746A1821	basket & strainer	1.00	27	4772B6151	tub drain vent
.75	9	4746C2461	cassette potty	.20	28	4757-9261	vent cover "plastic"
.15	10	4767-0101	shower head w/bracket	.50	29	4757-0921	metal nut "white"
.20	11	4741B2051	shower hose (72" length)	.10	30	4714A2861	cap & strap
.10		4716-0848	shower hose connector	31	4737-9138	drain adapter	
.50	12	4741B2071	shower diverter	.15	32	4772A4161	hat section
2.00	13	4772A3101	shower wall threshold	.15	33	4772-6631	curtain strap
.15	14	4772-1201	drawer pnl. 12 3/4" x 9 3/4"	.05	34	4730A3548	stud w/screw
.15		4772-5801	drawer assy. x2	.15	35	4772-4561	wall rest block wht.
.15	15	4757A9081	thumb turn lock	.15	36	4769-5001	light
.75	16	4772-0971	shower cabinet frt.	.20	37	4750-1761	shower head brkt.

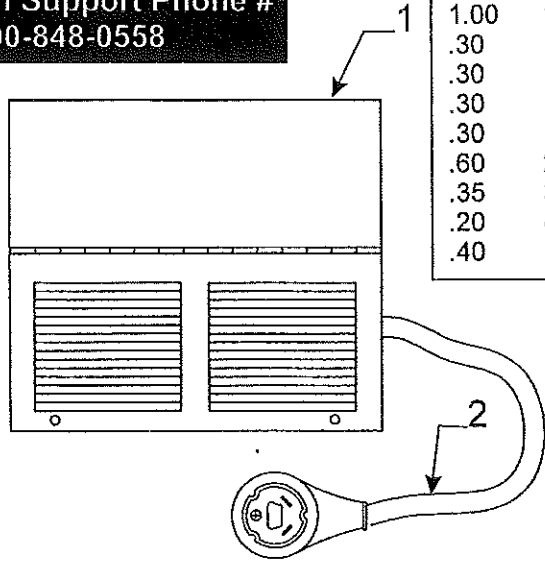


Flat Rate	Code	Part #	Description
.10	1	4772A6131	shower door "White" (complete)
.10		4772B6131	shower door "Brown" (complete)
.15	2	4772A4311	shower door stay brkt.
.40	3	4772-4461	universal fiberglass pnl. 21 1/8" 35 7/8"
.40		4772-9011	universal exterior luan pnl. 21 1/8" 35 7/8"
Note: must cut panels to size where applicable			
.15	4	4742-9671	latch assy.
.15	5	4758-8231	hinge
	6	4351400012F	gray velcro loop (sold/yd.)
.10	7	4772-6641	shower door strap assy. x2
.25	8	4772-6921	rear shower wall assy. "White" (complete)
.25		4772A6921	rear shower wall assy. "Brown" (complete)
	9	4351400005F	gray velcro hook (sold/yd.)
.15		4772-4261	latch & strike
.10	11	4772B8511	shower wall cap rear
.10	12	4772A8501	shower wall cap front
.10	13	4772C3161	threshold cap
1.50	14	4772A8521	shower wall gazoodi
2.00	15	4772A8481	shower wall threshold
.15	16	4772A3741	angle short
.25	17	4772-6911	frt. shower wall assy. "White" (complete)
.25		4772A6911	frt. shower wall assy. "Brown" (complete)
	18	4060000086F	rubber seal (sold/foot)
.20	19	4772A4441	wall pivot bracket x2
.10	20	4772-4541	pivot rod & pal nuts x2
	21	1201B7071	pal nut m6
.15	22	4772-4531	shower wall pivot bracket x2

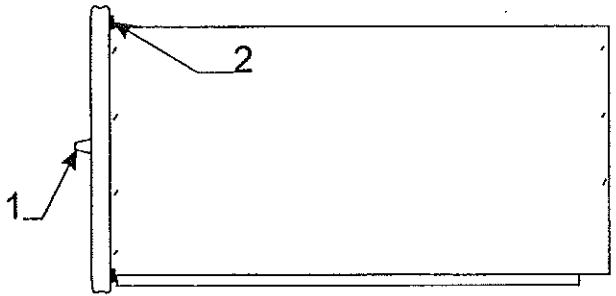
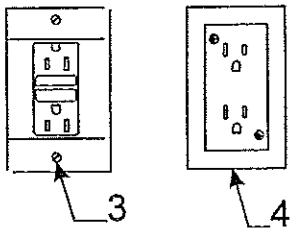


Flat Rate	Code	Part #	Description	Flat Rate	Code	Part #	Description
.50	1	4772-8541	plumbing access cover	.30	17	4765-1471	single switch
.30		4060475002P	t-molding pkg. (9' pc.)	1.50	18	4772A8521	shower wall gazoodi
.20	2	4772A3151	retaining angle "white"	.15	19	4755B8201	nylon block
.50	3	4772A3871	shower curtain i-beam track		20	4772-8841	hat section brkt.
.05	3A	4739-1201	i-beam mounting brkt. m12		21	4772-8851	filler
		4753A9871	rivet m25		22	4767-0111	shower head brkt.
1.00	4	4772-2991	shower pan	.30	23	4772-8581	step front
1.00	5	4772-4801	tub surround rear	.50	24	4765-1131	speaker grill
1.00	6	4772A2981	tub surround center	.40	25	4752-3621	p-trap w/union joint
1.00	7	4772-4811	tub surround front		26	4757-8561	drain plug adapter
.50	8	4746A1821	basket & strainer	1.00	27	4772B6151	tub drain vent
.75	9	4756-2251	cassette potty	.20	28	4757-9261	vent cover "plastic"
.15	10	4767-0101	shower head w/bracket	.50	29	4757-0921	metal nut "white"
.20	11	4741B2051	shower hose (72" length)	.10	30	4714A2861	cap & strap
.10		4716-0848	shower hose connector		31	4737-9138	drain adapter
.50	12	4741B2071	shower diverter	.15	32	4772A4161	hat section
1.50	13	4772A8481	shower wall threshold	.15	33	4772-6631	curtain strap
.50	14	4772-8631	cabinet/step top	.05	34	4730A3548	stud w/screw
.30	15	4772-8591	cabinet side panel	.15	35	4772-4561	wall rest block wht.
.15	16	4769-5001	light				

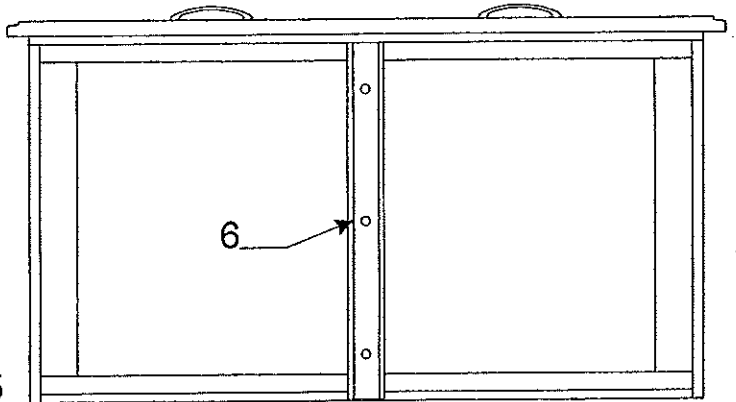
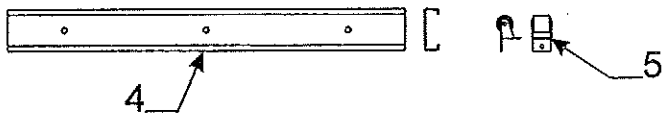
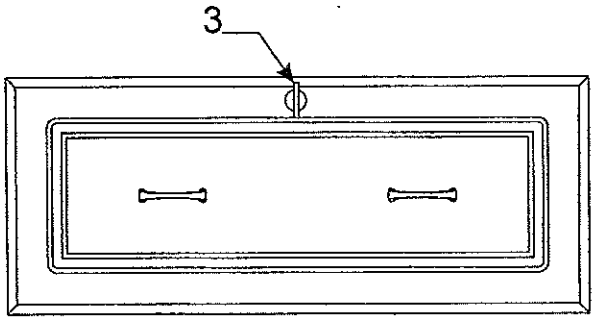
**Elixir Converter
Tech Support Phone #
1-800-848-0558**

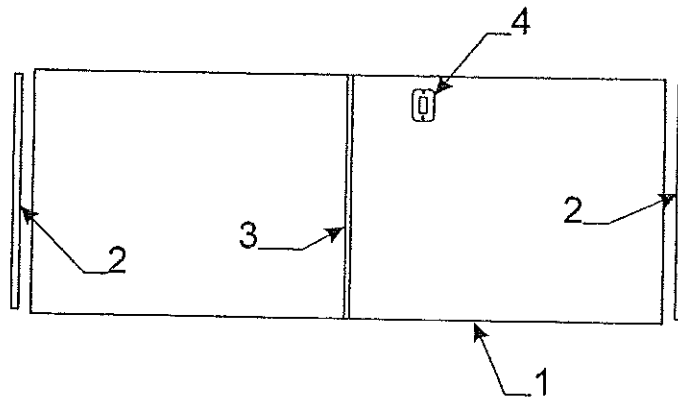


Flat Rate	Code	Part #	Description
1.00	1	4772-2441	converter 35 amp
.30		4757-3401	15/20 amp double breaker
.30		4757-3411	15/15 amp double breaker
.30		4765-9841	15 amp single breaker
.30		4757-8601	30 amp main breaker
.60	2	4772-1601	power cord 32 ft.
.35	3	4746B3841	GFI receptacle w/cover (wht.)
.20	4	4752-2361	15 amp receptacle w/cover (wht.)
.40		4746A3851	receptacle box



Flat Rate	Code	Part #	Description
.10	1	4755A2681	door pull w/screws
	2	4758-8401	adhesive bumper (132 per pkg.)
.15	3	4757A9081	brass thumb turn lock
.15	4	4757A9091	14" metal drawer guide
.15		4757A8891	17" metal drawer guide
.10	5	4757-8911	drawer roller m2
.25	6	4757-9101	14" pvc i-beam drawer guide
		4757-8901	17" pvc i-beam drawer guide
		4772-2011	20" pvc i-beam drawer guide

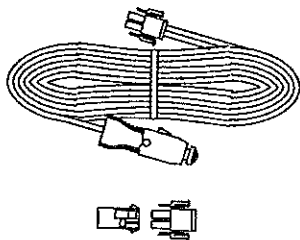




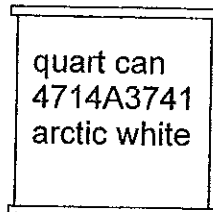
* Prior Authorization Needed

Flat Rate	Paneling & Trim (Must Cut To Size)		
	Code	Part #	Description
*	1	4716C2721	universal wall panel 96" x 34 5/16"
*	2	4716C1321	universal corner divider m2 48" pc.
*	3	4716C1331	universal panel divider m2 48" pc.
.20	4	4746C0971	kill switch

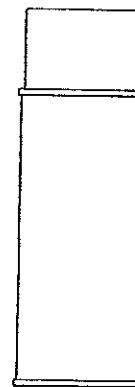
4733D6701 auto extension



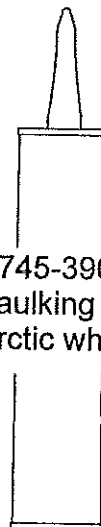
4716A4701 12 volt cap & plug m2



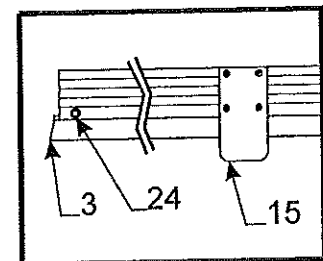
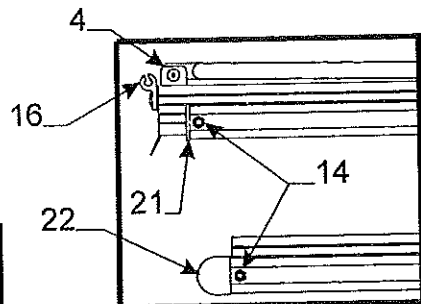
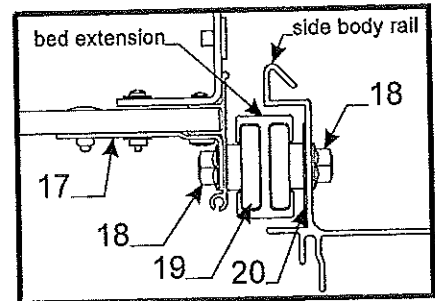
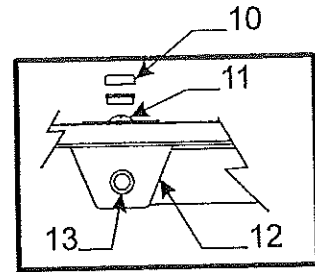
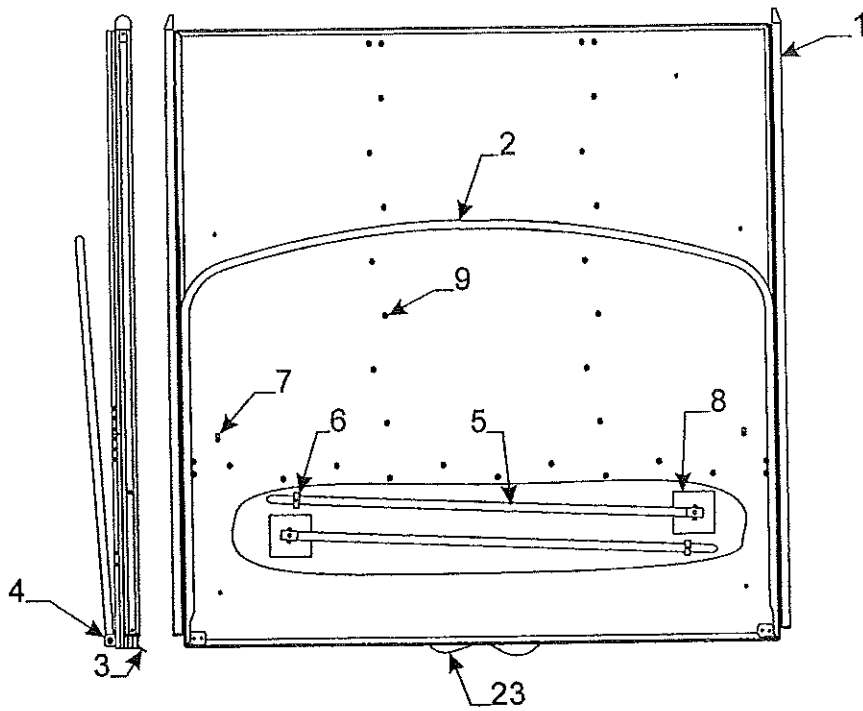
quart can
4714A3741
arctic white



16 oz. spray
0008-2561 arctic white
0008-2571 black
0008-2631 russian maple



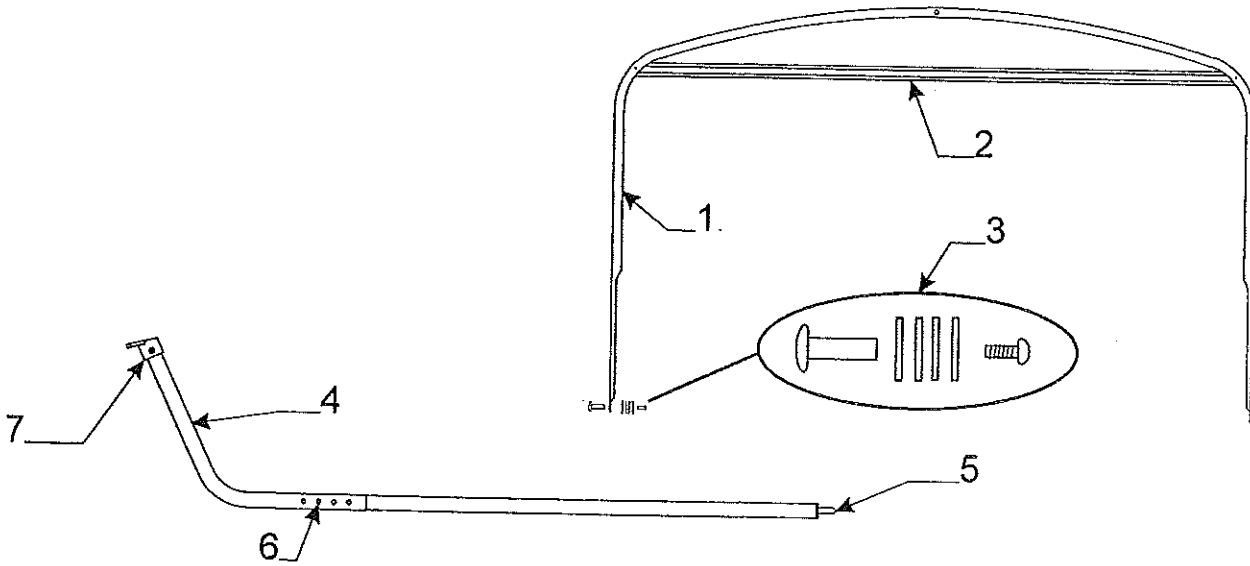
4745-3908
caulking
arctic white



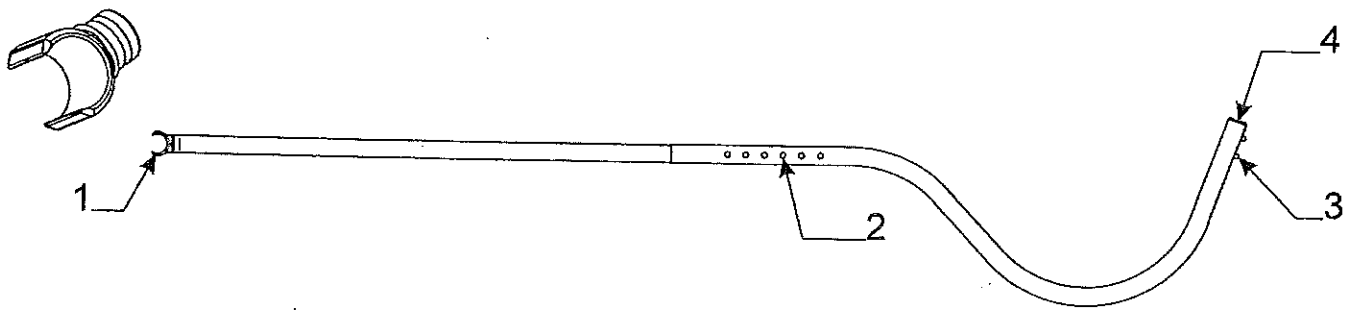
3831, 32, 33 4772-5321 Front Bed Assy. "Complete" F.R. - .75'
 3831, 32, 33 4772-5311 Rear Bed Assy. "Complete" F.R. .75'

** .50 first extension ** .25 second extension

Flat Rate	Front/Rear Bed Assy. Code	Components Part #	Description
**	1	4716U4031	bed extension (x2 per bed)
			Note: must cut to size if needed for rear bed assy.
.25	2	4714D1901	tent bow/leg package
.25	3	4060300339P	vinyl bed seal pkg. (8' pc.)
.15	4	4720K5631	bed bow bracket M2
.05		4757-9241	1 1/2" nylon fender washer m4
.20	5	4772A2101	bed leg assy. m2 (used on frt./rear beds)
.15	6	4720C0771	bed leg clip m4
		1203-8831	rivet m25 (rivet clip to bed)
.15	7	4720D4021	lashing hook m6
		1203-8741	rivet m25 (rivet hook to bed)
.20	8	4737A4178	support plate
	9	1203C8721	rivet m25
	10	4739E2908	screw cap m10
		4739-2918	screw cap washer m10
	11	4716-074	screw
		1202B2528	washer
.20	12	4734A5141	bed leg bracket
	13	4720A2361	rod & pal nut
.20	14	1034B16128	flat head screw
		1201B6378	lock nut
.40	15	4772B1131	kill switch plate
.20		4746C0971	kill switch
.50	16	4758-8301	bed end retainer track & rivets
.20	17	4755A2591	bed brkt. w/mounting hardware x4
	18	4739-2298	lock nut
.50	19	4754-8101	bed roller, nut, bolt, & washer pkg.
	20	1202B2908	washer
.15	21	4754-8631	bed slide end cap
.15	22	4754-4821	bed slide wedge
.20	23	4758-9481	pull-out handle strap & rivets
		4758-8001	rivet "black" m25
	24	4730A3548	stud w/screw



Flat Rate	Code	Part #	Description	Flat Rate	Code	Part #	Description
.10	1	4756C2071	glide-out tent bow	.05	4	4773-5131	glide-out tent support
.40	2	4757A8021	curtain track	.20	5	8470-1728	black pin m10
		1203-8951	rivet m25	.10	6	4734-6708	spring
	3	4716-4451	glide-out bow mounting hardware pkg.	.10	7	4757-1351	tent support tip w/screw

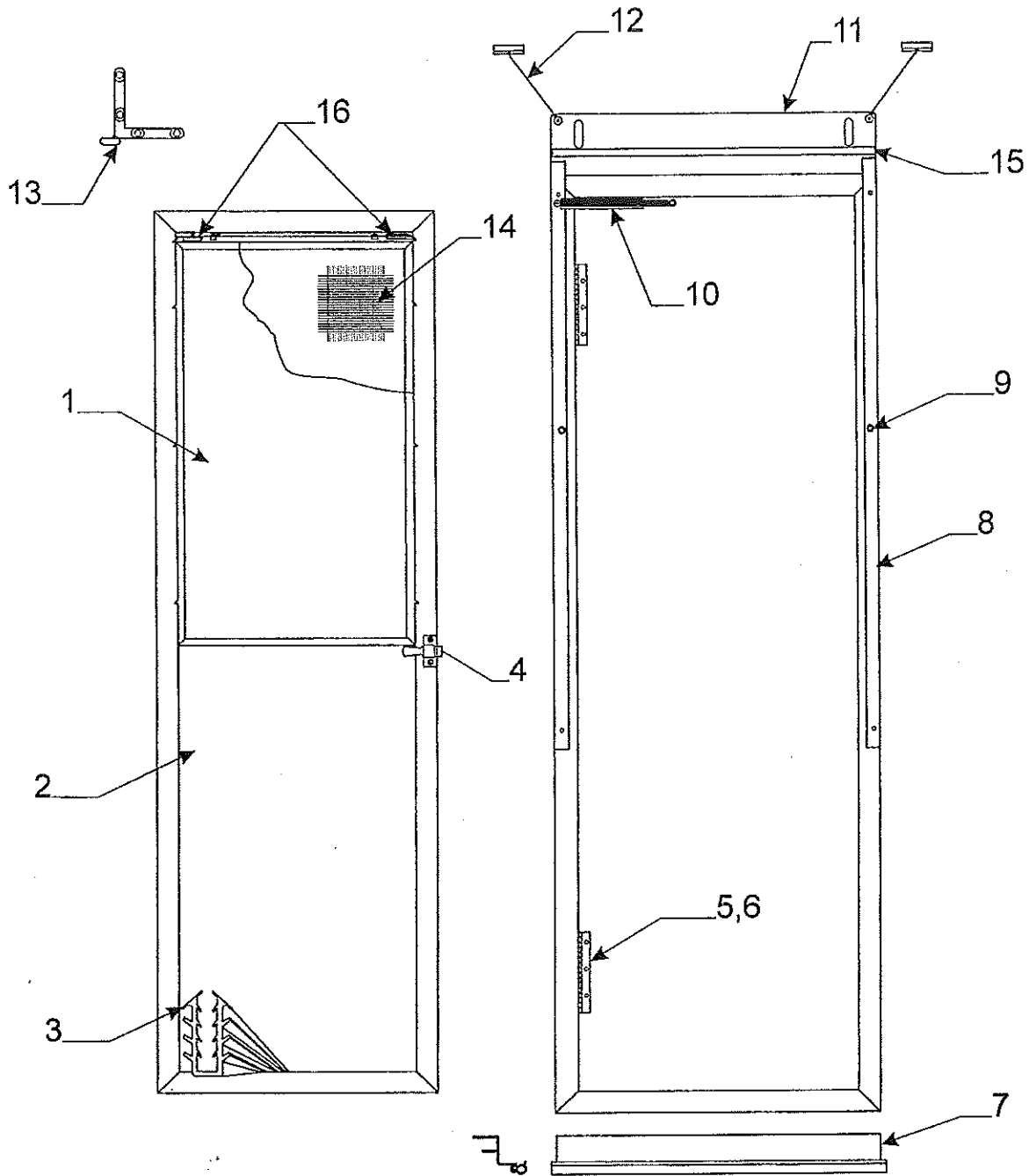


Flat Rate	Code	Part #	Description
.20	1	4757-4301	tent support clasp m10
.10	2	4734-6708	spring assy.
.10	3	4734A6708	spring assy.
.10	4	4752A0561	tube closure "black" m2

Tent Support Assemblies (Complete)		
Flat Rate .10 per Tent Support		
Model	Front Bed	Rear Bed
3831, 32, 33	4772-6021	4772-6021

Mattress Assemblies & Covers Flat Rate .50 per cover				Flat Rate .10 Matt assy.		
Model	Frt. Matt. assy.	Frt. Matt. Cover	Model	Rear Matt. assy.	Rear Matt. Cover	
3831,32,33	4754H5341	4716H5341	3831,32,33	4754H5341	4716H5341	

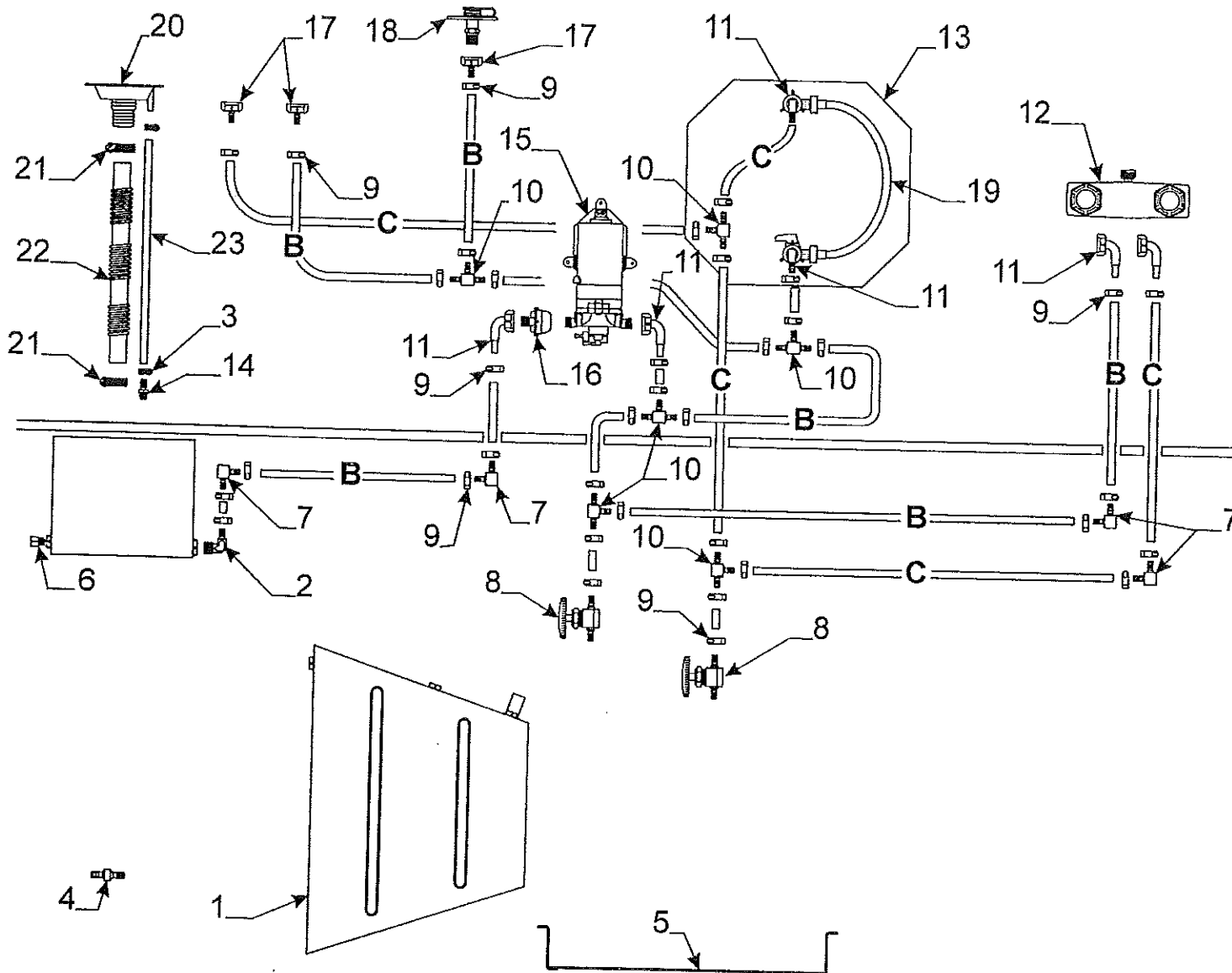
Mattress Assembly Dimensions		
Model	Frt. Matt. Assy.	Rear Matt. Assy.
3831, 32, 33	77" x 66" x 3 1/2"	77" x 66" x 3 1/2"



.30 Flat Rate Screen Door Complete

Note: parts marked w/* asterisk are not included w/screen door

4772-5031 Screen Door Assy. (All)							
Flat Rate	Code	Part #	Description	Flat Rate	Code	Part #	Description
.10	1	4716E3401	top sliding window pane	.05	9	4730A3548	stud w/screw x2
.40	2	4772-0361	stationary window pane	.20	10	4731A8201	spring package
.15	3	4060000086F	rubber seal (sold/foot)	.30	11	4758A0571	top bracket
			Note: around perimeter of window pane	.15	12	4734D5211	cable assy. m6
.15	4	*4742-9671	door latch assembly	.50	13	4710-3791	corner brace hinge m2
.15	5	4720C3601	hinge x2		14	4716-1381	screened stationary pane
	6	1203-8641	rivet m25	.75		4716-1111	screening 36" x 18 1/2"
.25	7	*4747B5621	screen door support	.10	15	4060000023P	d-seal "white" (5' pkg.)
		*4060000399F	rubber seal (sold/foot)	.50	16	4716-3811	window lock pkg. rt./lt.
.20	8	4754-3811	vel-stick (pkg. of 2)				

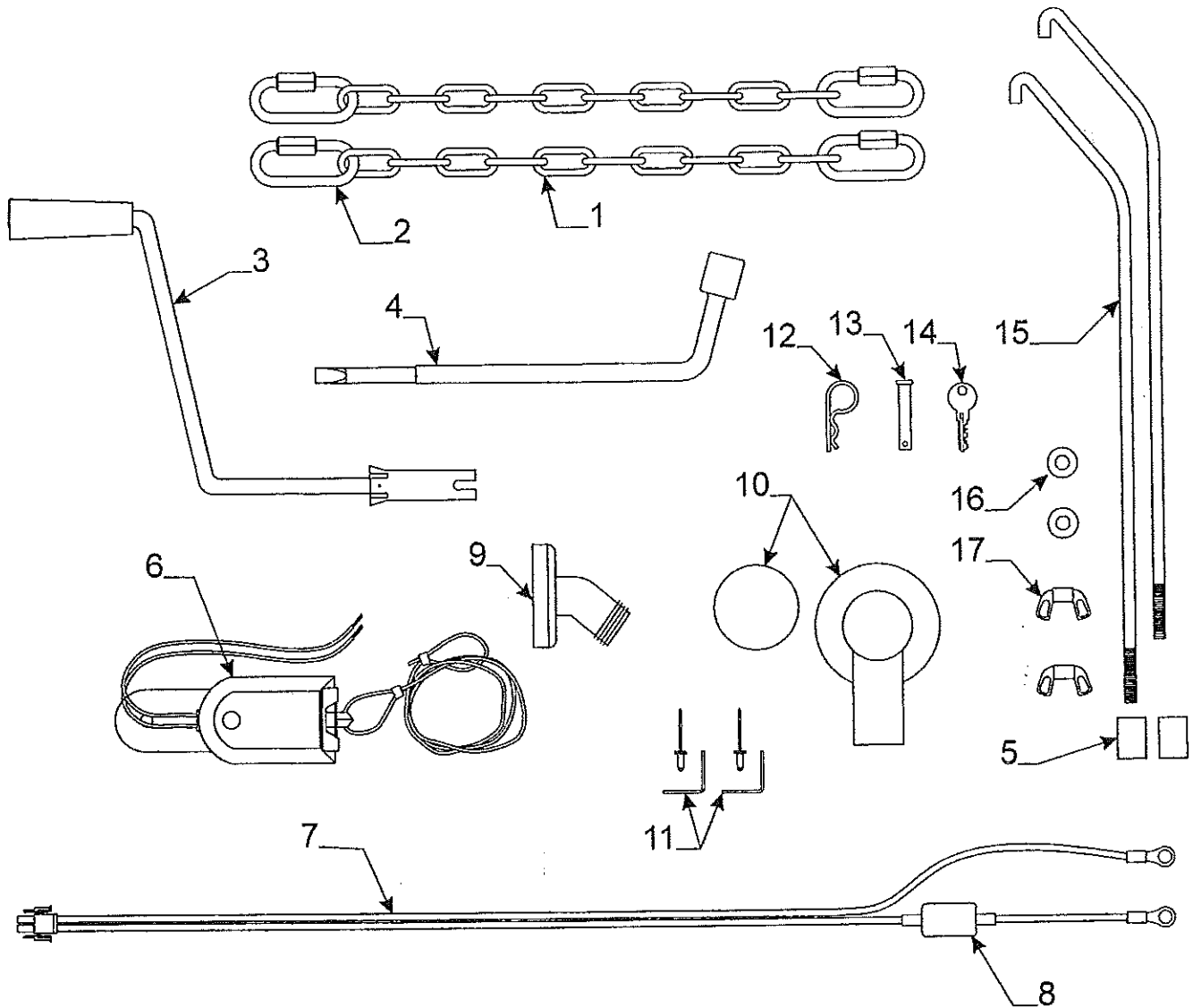


B 4060050006P 3/8" I.D. Pex tubing "cold" (20' pc. pkg.)
 C 4060050007P 3/8" I.D. Pex tubing "hot" (20' pc. pkg.)

4714-038 3/8" I.D. High pressure hose (sold/foot)

Flat Rate	Code	Part #	Description	Flat Rate	Code	Part #	Description
1.50	1	4757A0471	water tank 3831, 3832	.50	12	4741B2071	shower diverter
1.50		4772A8551	water tank 3833 Hemlock	*	13	4750-3421	water heater
.25	2	4741C2371	elbow "plastic"	.15	14	4732B4561	hose adapter
	3	4731-3058	adjustable hose clamp 3/8"	.50	15	4741D5571	electric water pump
	4	4755-4821	brass barbed union m10	.25	16	4747A8311	water filter
.20	5	4758-5381	tank hanger x2 (all)	.20	17	4741A9561	female adapter "copper"
.15	6	1218-7001	plug	.30	18	4732F1521	city fill
.25	7	4741C2391	brass elbow "Pex" m2	.15	19	4765-9971	water heater bypass kit
.20	8	4741E2361	brass line drain "Pex"	.30	20	4731D1711	fill spout
.25	9	4741A2751	stainless steel clamp m100	.35	21	4715-4501	adjustable hose clamp
25	10	4741C2381	brass tee "Pex" m10	.20	22	4731H1081	water fill hose (3' pc.)
.20	11	4741B9061	copper swivel elbow		23	4060050003F	1/2" h.p. hose (sold/ft.)

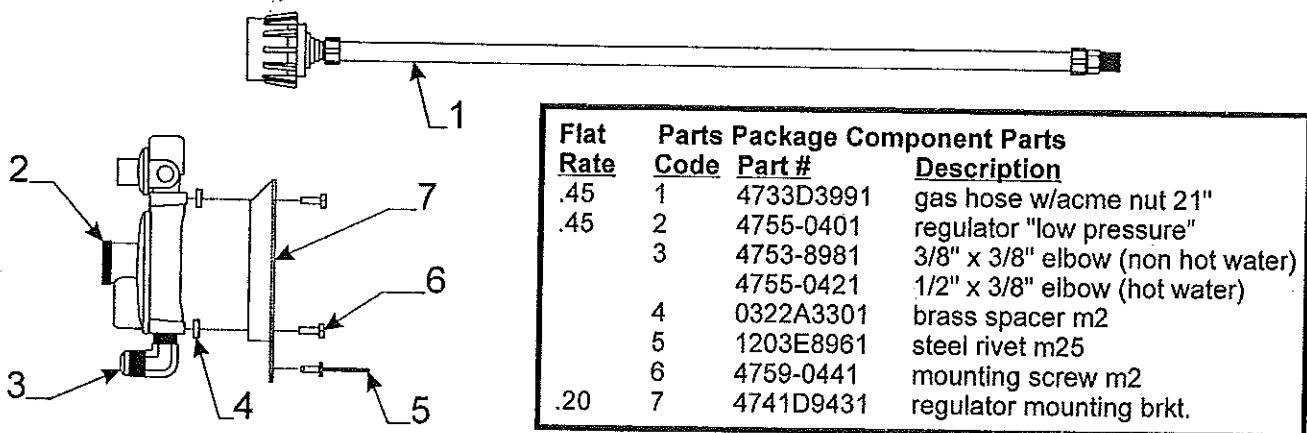
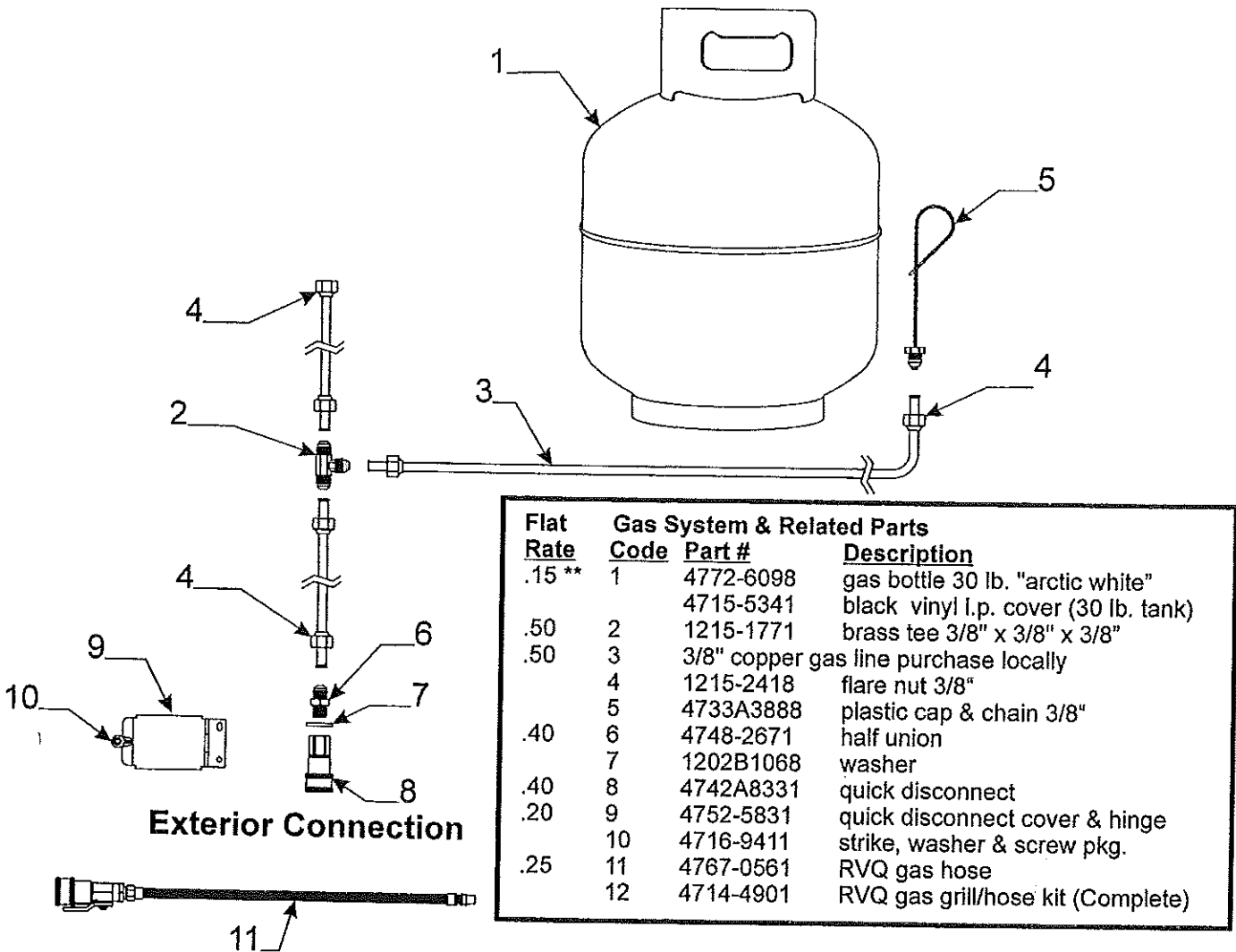
* Warranted By Vendor

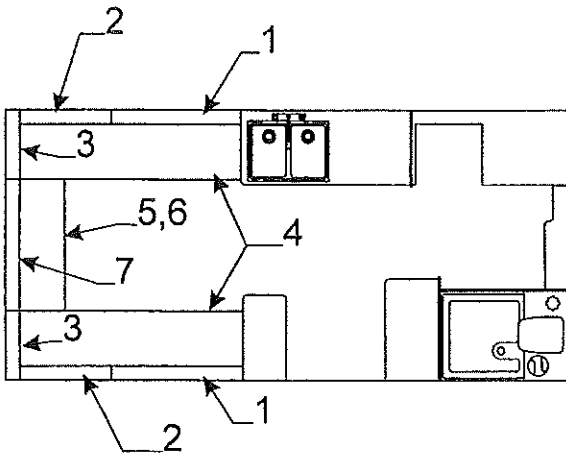


4772-6141 Parts Package 3831, 3832, 3833

<u>Flat Rate</u>	<u>Parts Package Code</u>	<u>Component Part #</u>	<u>Description</u>
	1	4757-3901	29" tow chain w/quick links m2
	2	4757-3891	quick link (sold/signally)
	3	4747G4141	crank handle
	4	4749A1861	lug nut wrench
	5	4757-4171	nylon spacer m2
	6	4746-0401	breakaway switch
	7	4749B5531	battery harness w/15 amp breaker
	8	4751-4811	15 amp circuit breaker
	9	4737-9138	drain adapter
	10	4734C3781	regulator cover (long)
		4751-9571	round regulator cover
	11	4753E6781	battery angle pkg.
	12	4732A4791	safety pin m10
	13	4757-4491	hitch pin 3" m5
	14	4730B3211	key m10 # 8025 (gold plated)
	15	4772-3031	gas bottle mounting brkt. pkg.
			Note: pkg. includes (2) wing nuts, washers
	16	1202B0468	washer x2 m10
	17	1201-6258	wing nut x2

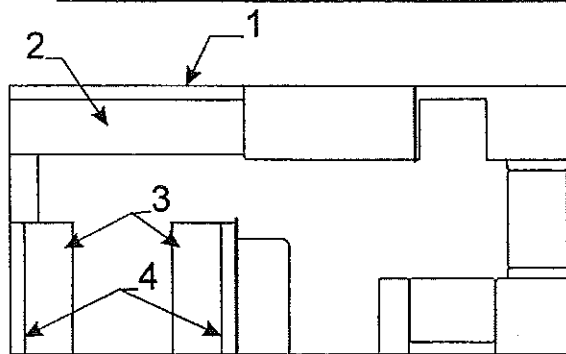
**** Serial Number Of Gas Bottle Must Be Supplied When Submitting Warranty**



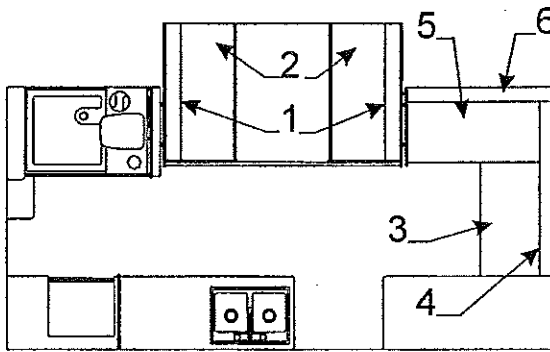


Plastic Cushion Button x2 - 4710-2681 m5

Flat Rate	Code	Part #	Description
.10	1	4772-5261	backrest assy. 40" x 13 1/2" x 4"
.25		4715-5261	backrest cover
.10	2	4772-5271	backrest assy. 29" x 13 1/2" x 4"
.25		4715-5271	backrest cover
.10	3	4772-5281	backrest assy. 20 1/2" x 13 1/2" x 4"
.25		4715-5281	backrest cover
.10	4	4772-5291	cushion assy. 70" x 20 1/2" x 4 1/4"
.25		4715-5291	cushion cover
.10	5	4772-5301	cushion assy. 40" x 18" x 4 1/4"
.25		4715-5301	cushion cover
	6	4758A6151	cushion leg x2
		4772-080	support angle
.10	7	4772-5251	backrest assy. 39" x 18 1/2" x 4"
.25		4715-5251	backrest cover



Flat Rate	Code	Part #	Description
.10	1	4772-6221	backrest assy. 72" x 14 1/2" x 4"
.25		4715-6221	backrest cover
.10	2	4772-6241	cushion assy. 72" x 21 1/2" x 4 1/4"
.25		4715-6241	cushion cover
.10	3	4772-6231	cushion assy. 39 1/2" x 19 3/4" x 4 1/4"
.25		4715-6231	cushion cover
.10	4	4772-6211	backrest assy. 39" x 14 1/4" x 4"
.25		4715-6211	backrest cover



Flat Rate	Code	Part #	Description
.10	1	4757G5591	backrest assy. 42 1/4" x 15 1/2" x 4"
.25		4714G5591	backrest cover
.10	2	4754J5241	cushion assy. 43 1/4" x 19 3/8" x 4"
.25		4714J5241	cushion cover
.10	3	4773-5051	cushion assy. 35" x 23" x 4 1/4"
.25		4716-5051	cushion cover
.10	4	4773-5061	backrest assy. 45 3/8" x 13 1/2" x 4"
.25		4715-5061	backrest cover
.10	5	4773-5041	cushion assy. 45 3/8" x 23" x 4 1/4"
.25		4715-5041	cushion cover
.10	6	4773-5071	backrest assy. 54 1/2" x 13 1/2" x 4"
.25		4715-5071	backrest cover

Drape Package (Less Valance Pkg.)
Note: Package includes privacy curtains

Model	Drape Pkg.	# Of Panels	Flat Rate
3831, 3832	4772-5851	9	.30
3833 Hemlock	4772-6791	9	.30

Drape Tab C-Shape m60 - 4750-2891 Flat Rate - .05

Privacy Curtain Pkgs. (Set of 2 Panels)

.15 4715-0721 - 3831, 3832, 3833

Single Drape Panel w/Safety Straps

.15 4715-0731 Single Drape Pnl. 48" x 40"
 .15 4715-0741 Single Drape Pnl. 21 1/2" x 40"

Drape Tie Package (Qty. 1) - 4753H9801 (all) FR - .05

Valance Package - 4772-5861 - 3831, 3832, 3833

Flat Rate - .25
 8166500030P valance glide tape pkg. 3 yds. pc.

Shower Valance Package - 4772A2081 3831, 3833

Flat Rate - .25

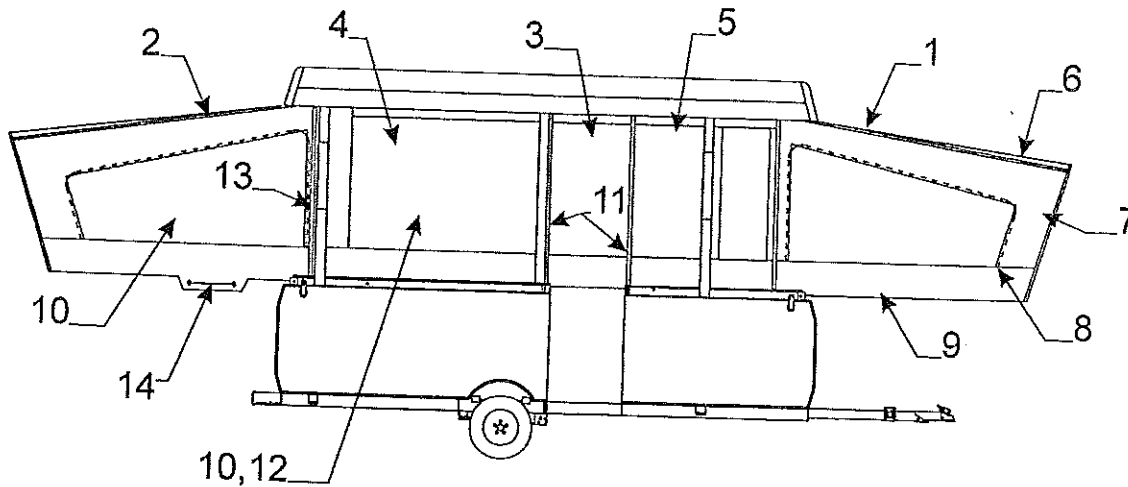
Shower Curtain - 4772-5941 3831(wood shower walls)

Flat Rate - .20 4772A5941 3831, 3833
 4739-1191 curtain carrier & hook m6
 4739-0671 i-beam track stop

Potty Curtain - 4772A6451 3832 Redwood

Flat Rate - .20

Glide-out curtain & valance - 4714G5531 - 3833



Flat Rate	Sunbrella Tenting & Components	Code	Part #	Description
.50		1	4772-5901	front boot 3831, 3832, 3833
.50		2	4772-5901	rear boot 3831, 3832, 3833
.20		3	4772-5871	large window 3831, 3832
.80			4772-6761	rs glide-out tenting 3833
.20		4	4772-5881	small window 3831, 3832
.20			4772-6781	small window 3833
.15		5	4772-5891	door seal 3831, 3832
.15			4772-6771	door seal 3833
		6	8118501430P	top vinyl pkg. (85" x 3 yards)
		7	4716C0851	sunbrella patch package (12" x 14")
		8	6650500131F	zipper (sold/yard) used around window
			1225A4461	zipper pull m5
		9	8118001438P	green bottom vinyl facing pkg. (3 yd. x 80")
		10	4714E1611	screen package (84" x 3 yards)
			4714A0361	screen package (84" x 13 yards)
		11	4350000009P	1" velcro hook (10' pc. Pkg.)
		12	4716-2401	clear window vinyl (41" x 2 yards)
		13	1225G3458	40 1/2" side zipper pin half
			1225G3448	40 1/2" side zipper slider half
.50		14	4060000245CP	shock cord (150' package)
.50			4714C6021	shock cord & hooks m2 (two 14' lengths)
.15			4724A2011	shock cord termination (plastic hook) m10
		15	4060000024F	arrowhead seal (sold/foot)
.30		16	4735D6721	extension harness
.50		17	4743-1588	k-kote seam sealer
		18	4728-5641	tent retainer pkg.
.30		19	4710-1001	vinyl daubing "white" m2
.30			4710-1011	vinyl daubing "grey"
.30			4710-1021	vinyl daubing "green" m2

4772-5011 Top Assembly 3831 Sequoia F.R. - 3.00
 4772-6331 Top Assembly 3832 Redwood F.R. - 3.00
 4772-6741 Top Assembly 3833 Hemlock F.R. - 3.00

1.50 For A/C - 1.00 For Crossbars - 1.00 For Disposal

Flat	Rate	Code	Part #	Description
	.50	1	4772-0101	canopy track
	.50	2	4716U1981	top corner pkg. (pkg. of 4)
			4350000058F	saturated foam tape (sold/foot)
			4745-3968	screw "painted"
	.15	3	4750A9581	top strike m2 (all)
			4741B9101	ss tek screw m10 (x2 per strike)
			1201B6958	nut (x2 per strike)
	1.00	4	4772-00791	center seam
			4060400096F	vinyl screw cover (sold/foot)
			4741-3508	hex head screw
			4350000058F	saturated foam tape (sold/foot)
	.50	5	4756A0681	frt./rr. seal extrusion
	.30	6	4756A0631	tent track (frt./rr.)
	.30	7	4754B9851	tent & val. track (must cut to size)
			1103E1018	screw stainless steel
	.15	8	4743-2501	plastic screen dr. latch pkg.
	.20	9	4747D5521	lift pocket cover x4 (all)
			4741D3558	hole plug x2
			4351400005F	velcro loop (sold/yard)
	.25	10	4741B5431	lift pocket x4
			1201B6378	lock nut (x2 per pocket)
	.20	11	4758A4571	clothes hanger and hardware
	.15	12	4744E4741	double dome light
			1103B08148	screw x4 per light
	.10		4758-1361	dome light lens (x2 per light)
	.15	13	4737K5911	single dome light
			4758-1361	dome light lens
		14	1203-9258	plastic accordion rivet m25
		15	4716-8991	roof brace
	.15	16	4741F11381	tent support brkt.
			4741C9368	screw "painted" x2
			1103B1028	screw x4
		17	4724F2631	velcro hook m6
		18	4756B0671	cove (front/rear)
			4747-2558	expansion rivet m25
		19	4772-009	side cove cs/rs
	.20	20	4749C5571	screen door bracket
			4747-2558	expansion rivet m25
			4749-2138	snap button m2
			1203-8631	rivet m25
	.30	21	4733H47181	screen door track x2
			4744B4611	expansion rivet m25
		22	4730A3548	stud w/screw x2
	.15	23	4734D5211	screen door cable m6
	.15	24	4723A5061	strap x2
		25	4772A3871	i-beam track 3831, 3833
			4772-3881	i-beam track 3832 Redwood
		26	4739-1201	i-beam mounting brkt. m12
			4753A9871	rivet m25
	.20	27	4350400004F	vinyl tape (sold/foot)
	.15	28	4759-1721	shower light 3831
	.50	29	4060100399P	rubber top seal (40' package)
	.25	30	4761-1958	Fleetwood decal

