

2004

Grand Tour / Grand Tour Elite Series Repair Parts Catalog



Grand Tour Models

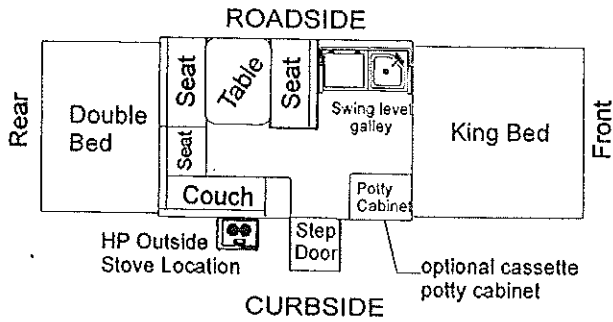
3858 Carmel 10'	3851 Mesa 12'
3889 Santa Fe 10'	3881 Utah 12'
3896 Cheyenne 10'	3894 Westlake 12'

Grand Tour Elite Models

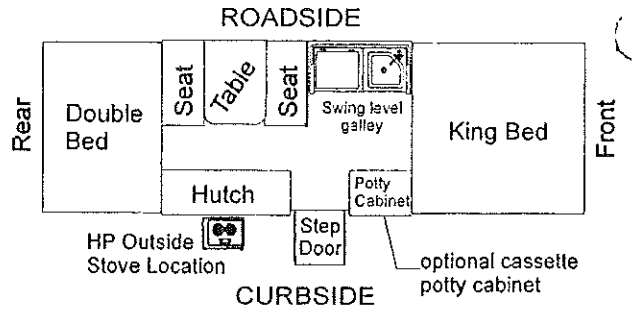
3878 Bayside 12'
3895 Niagara 12'
3857 Monterey 12'

2004 GRAND TOUR SERIES

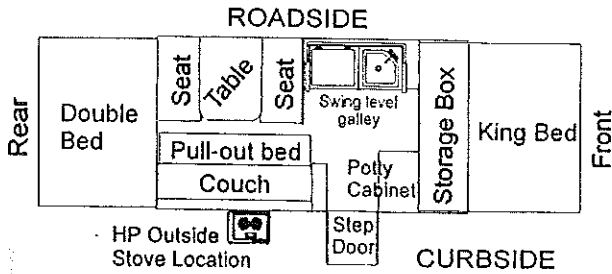
3858 Carmel 10'



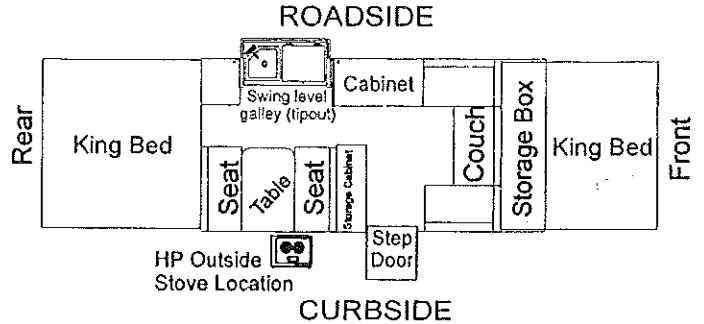
3889 Santa Fe 10'



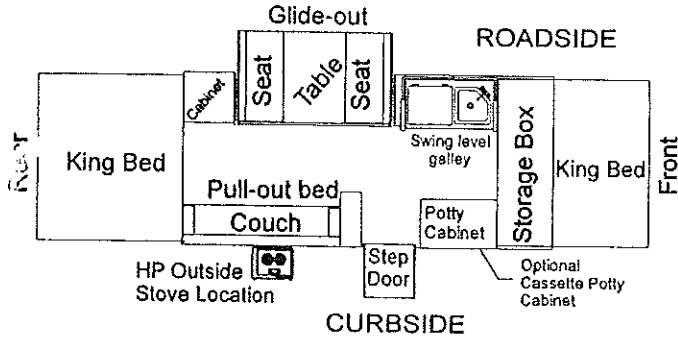
3796 Cheyenne 10'



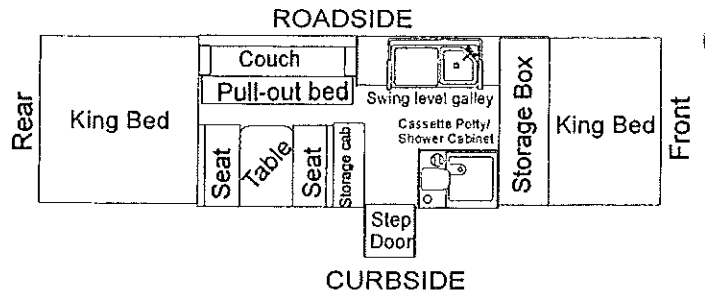
3851 Mesa 12'



3881 Utah 12'

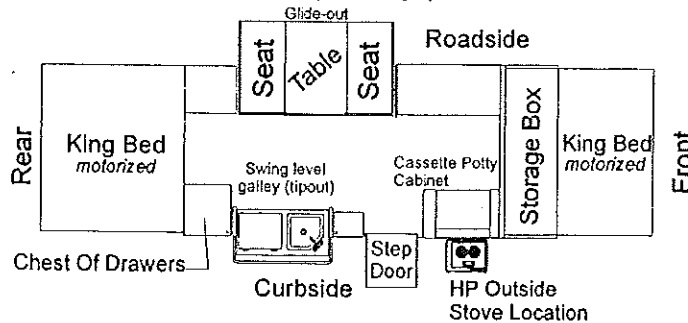


3894 Westlake 12'

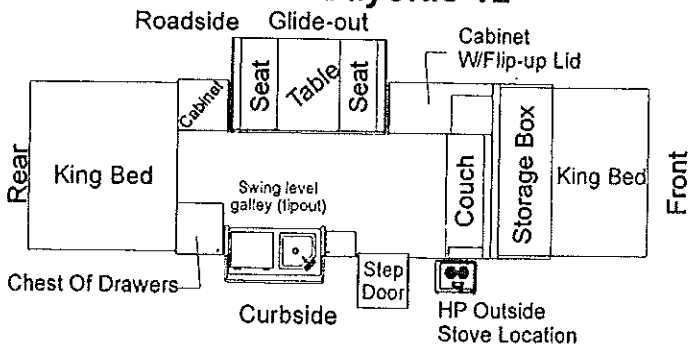


3857 Monterey 12'

(Motorized Top/Bed Assy's.)



3878 Bayside 12'



3895 Niagara 12'

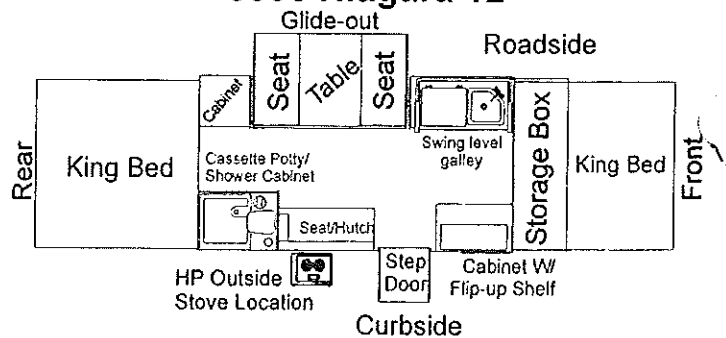
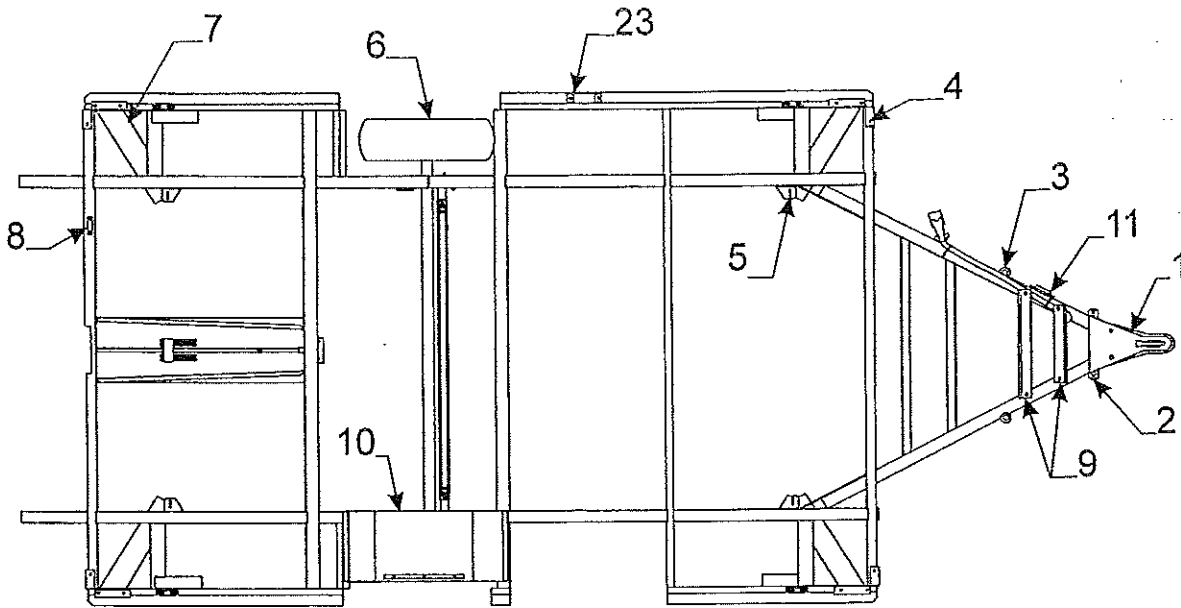


TABLE OF CONTENTS

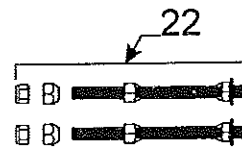
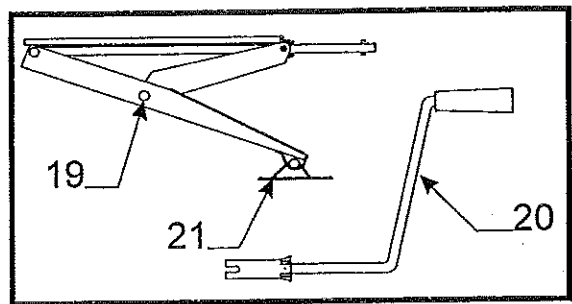
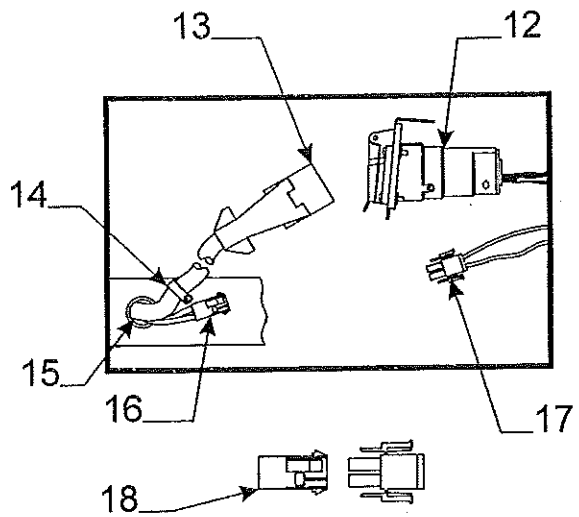
<u>DESCRIPTION</u>	<u>PAGE</u>
Access door key	32
Access door assembly & related parts	10
Auto extension	15
Axle assemblies & related parts	6
Backrest assemblies & covers	36,37
Bed assembly components	30
Bed extensions & related parts	30
Bed/lift system components 3857	3, 15
Body panel right rear (curbside)	11
Body panel left side (roadside)	12
Body panel left side (glide-out models)	13
Body panel front & rear (TPO plastic)	9
Body panel right front (curbside)	11
Bumper & related parts	9
Cabinet assembly (corner cabinets)	20,24
Cabinet assembly (csr cab. w/flip-up shelf)	19
Caulking	15
Converter & related parts	27
Cooler (built-in)	16,17,25
Corner bulkhead assembly	2
Coupler assembly	2
Crank components (upper crank)	5
Crank handle	2,10
Cushion assemblies & covers	36,37
Door bulkheads	10
Drain hose (used on sinks)	14
Drape packages & related parts	38
Drawer assembly components	27
Dressing room curtain	38
Electric brakes & related parts	6
Fire extinguisher & components	21
Floor covering	2
Frame assembly & related parts	2
Gas detector	26
Gas hose (gas bottle hook-up)	33
Gas bottle mounting brackets	32
Gas quick disconnect (outside stove)	33
Gas bottle cover (molded Plastic)	35
Gas bottle cover (black vinyl)	35
Gas bottle & related parts	33
Glide-out & related parts	13
Grease cap (EZ-lube)	6
Hub assembly & related parts	6
Hub caps	2
Hutch assembly (doorway 3851, 3894)	23
Hutch assembly (roadside front 3857, 78)	25
Hutch assembly (curbside 3889)	21
Hutch assembly (curbside rear 3896, 81)	22
Hutch assembly (roadside front 3851)	25
Lift assemblies & related parts	4
Lift trim & miter covers	12
Lower galley components (3858,89,96)	16
Lower galley components (3881,94,95)	17
Lower galley components (3878,3851,3857)	18
Mattress assemblies & covers	30
Outside shower components	12
Paint (spray & quart can)	15
Paneling & trim	7
Parts package & components	32

<u>DESCRIPTION</u>	<u>PAGE</u>
Pigtail (car end)	2
Potty cabinet (3881,3889,3858,3857)	21
Potty "cassette" (3894,95,81,89,58,57)	21,24
Power bed/lift system components 3857	3,15
Power cord (converter)	27
Receptacle (exterior)	11
Receptacle (interior)	27
Refrigerator vents	12
Regulator & fittings	33
Safety chains	32
Screen door & related parts	29
Seat bench component parts	26
Shower curtain	38
Shower curtain rod (3894,95)	40, 41
Shower stall w/potty (3894,95)	24
Shower head & hose	12, 24
Sink & related parts	14
Spare tire cover (molded plastic)	35
Spare tire mount package	2
Stabilizer assembly	2
Stabilizer handle	2
Storage box components	8
Stove components (upper galleys)	14
Stove components (h.p. outside stove)	28
Table assembly & related parts	19
Taillights (rear body panel)	9
Tent support assemblies & related parts	31
Tenting & related parts (sunbrella)	39
Thermostat (Hydro Flame)	26
Thrust nut & bearing	4
Tie backs (curtains)	38
Tipout & glideout tent bows	31
Tire & rim	2
Tire cover "black vinyl"	2
Tongue jack & related parts	7
Top assemblies & related parts	40,41
Trim tape kits	11,12
Upper crank assemble components	5
Upper galley assembly (3858,89,96)	16
Upper galley assembly (3881,94,95)	17
Upper galley assembly (3851,57,78)	18
Valance package	38
Water heater	34
Water in-line filter	34
Water system & related parts	34
Wheel well	2
Whiffletree & related parts	4
Zipers (tenting assemblies)	39

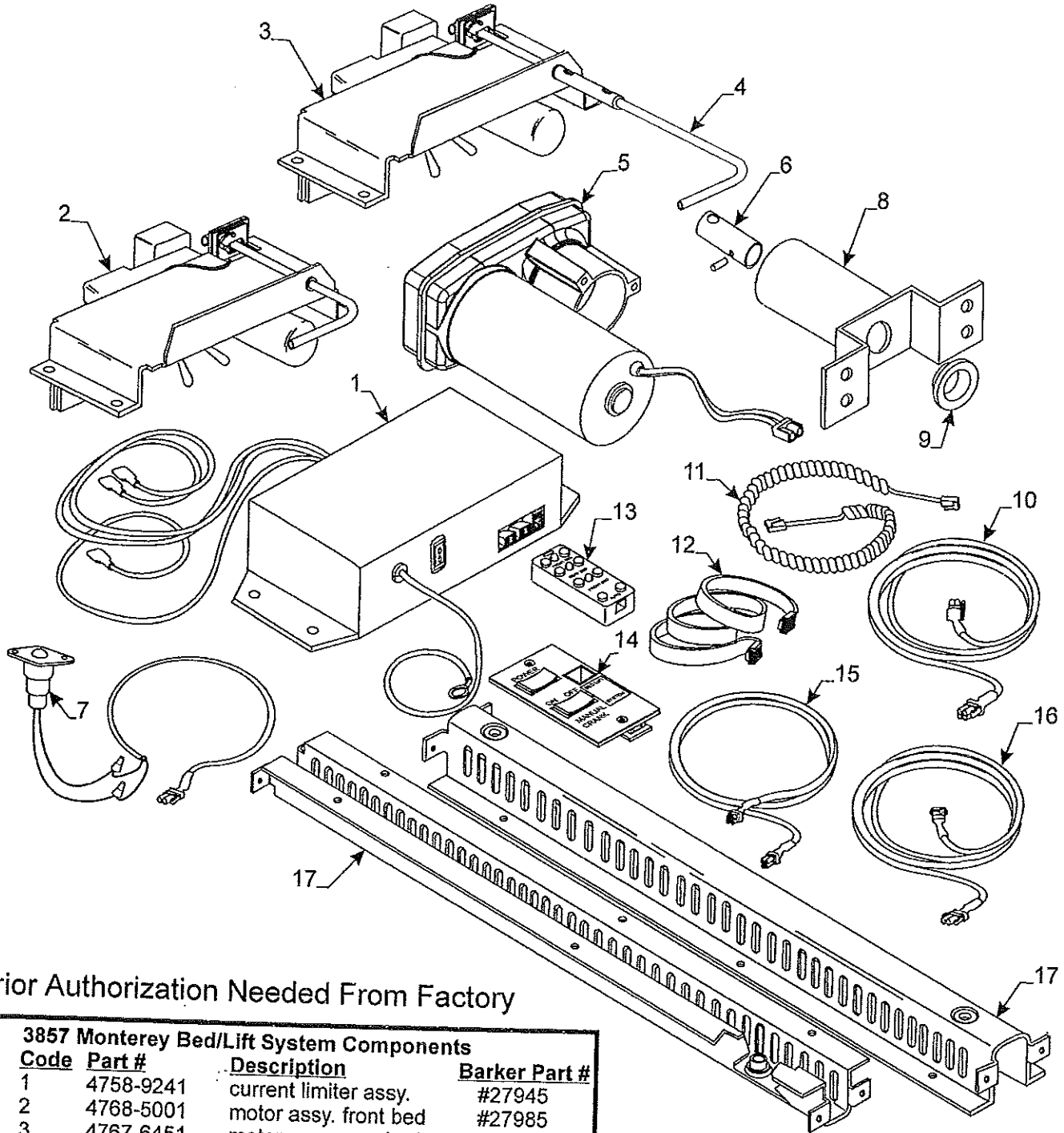
Axle/Brakes - Dexter	219/295-1900
Cassette Potty - Thefford	800/521-3032
Converter - World Friendship Co.	800/900-2468
Furnace - Hydro Flame #7916-11	800/546-8759
Mixer Faucet - Empire Brass	800/431-6440
Power Bed/Lift System - Barker	269/965-2371
Refrigerator - Dometic	800/216-5115
Stove - Vitco	877/825-8528
Tires - Kenda	800/225-4714
Water heater - #5031E	423/775-2131
Yakima bike rack - to obtain repair parts .	800/925-4621



Flat Rate	Code	Part #	Description
1.50	1	4742-2001	coupler assembly
.25		4714A2211	coupler repair kit
.75	2	4748-6611	chain bar w/pins
.75		4720A3561	chain bar w/o pins
.10	3	4758-0381	bed leg pin & washer
2.00	4	4754B6221	bulkhead csr/rsf
2.00		4754B6211	bulkhead rsr/csf
		1203C8751	rivet m25 (rivet bulkhead to frame)
.75	5	4732E3671	adjustable pulley brkt. x4
.25		4715A5371	pulley & bearing m10
		4720C1578	short pin m4
		1204B1081	cotter pin m10
.25	6	4757A2468	tire & rim 13" Id "C" 3858, 89, 96
.25		4753E8168	tire & rim 13" Id "D" 3851,78,81,94,95,57
		4716E8168	13" LR "D" tire only Kenda (less rim)
		4723G3161	13" tire cover "black vinyl"
		4757A2131	13" hub cap set (standard on elite only)
		4714-2131	13" hc attachment clips (pkg. of 8)
		4741-3268	2" valve extension
	7	4755B6641	stabilizer plate csf/rsr (all)
		4755B6651	stabilizer plate rsf/csr (all)
1.00	8	4758B5851	spare tire support
.25	9	4716A1751	frt./rear battery angle/rivets pkg.
2.00	10	4759-0931	wheel well x2 10' models
2.00		4759-0791	wheel well x2 12' models
.75	11	4720B3331	jack brkt. (welded to tongue)
	12	4746A5591	pigtail - bargman (car end)
	13	4753B3751	trlr. wire harness - bargman
	14	1201-8708	3/8" clamp
		1203C8721	steel rivet m25
	15	4742-8108	1 1/4" snap bushing
	16	4716A5001	12 volt power harness
.15	17	4749B5531	12 volt wire harness m2
	18	4716A4701	12 volt cap & plug m2
.25	19	4751A3351	stabilizer assy. (screw down)
		4751-8208	tapping screw (3 per stab.)
	20	4747G4141	crank handle
.10	21	4755-6841	sand shoe (set of 4)
	22	4768-6721	spare tire mount kit
	23	4720J1531	side bulkhead



*6610007204P floor covering pkg. (7 1/2' x14')
 * Prior Authorization Needed From Factory



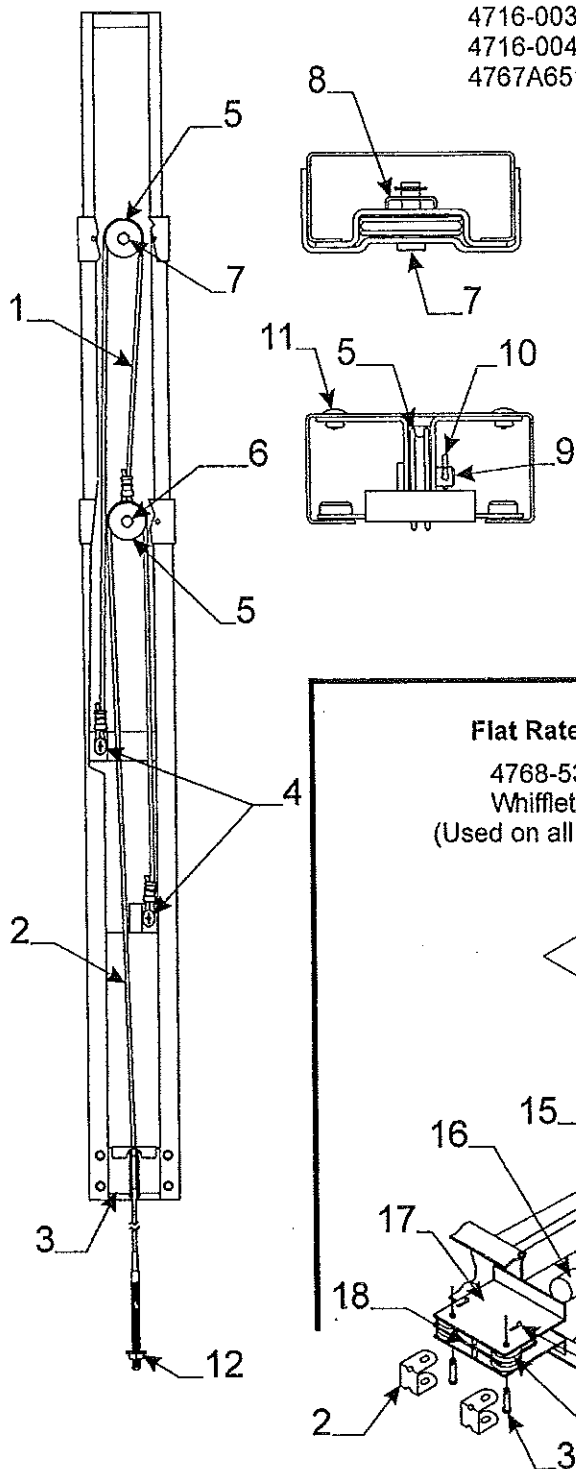
* Prior Authorization Needed From Factory

Flat Rate	Code	Part #	Description	Barker Part #
*	1	4758-9241	current limiter assy.	#27945
1.00	2	4768-5001	motor assy. front bed	#27985
2.50	3	4767-6451	motor assy. rear bed	#27970
.50	4	4758-3461	cam bar handle	#27997
1.50	5	4767-6461	power lift motor	#26259
1.50	6	4758-3521	ball screw adapter	#26308
1.25	7	4714A3181	roof sensor cable assy.	#28318
1.50	8	4758-9261	mounting weldment	#27985
1.00	9	4714-2661	flange bushing	#26266
*	10	4758-8171	rear bed cable assy.	#27986
*	11	4758-3481	8 pin coiled cord assy.	#3733-0042
*	12	4767-6481	control/face plate cable	#27994
.05	13	4758-3491	hand control assy.	#27955
.25	14	4767-6471	switch panel assy.	#27962
	15	4758-3531	front bed cable assy.	#28086
	16	4758-9251	roof motor cable assy.	#27995
.75	17	4767-6501	bed drive channel x2	#27980

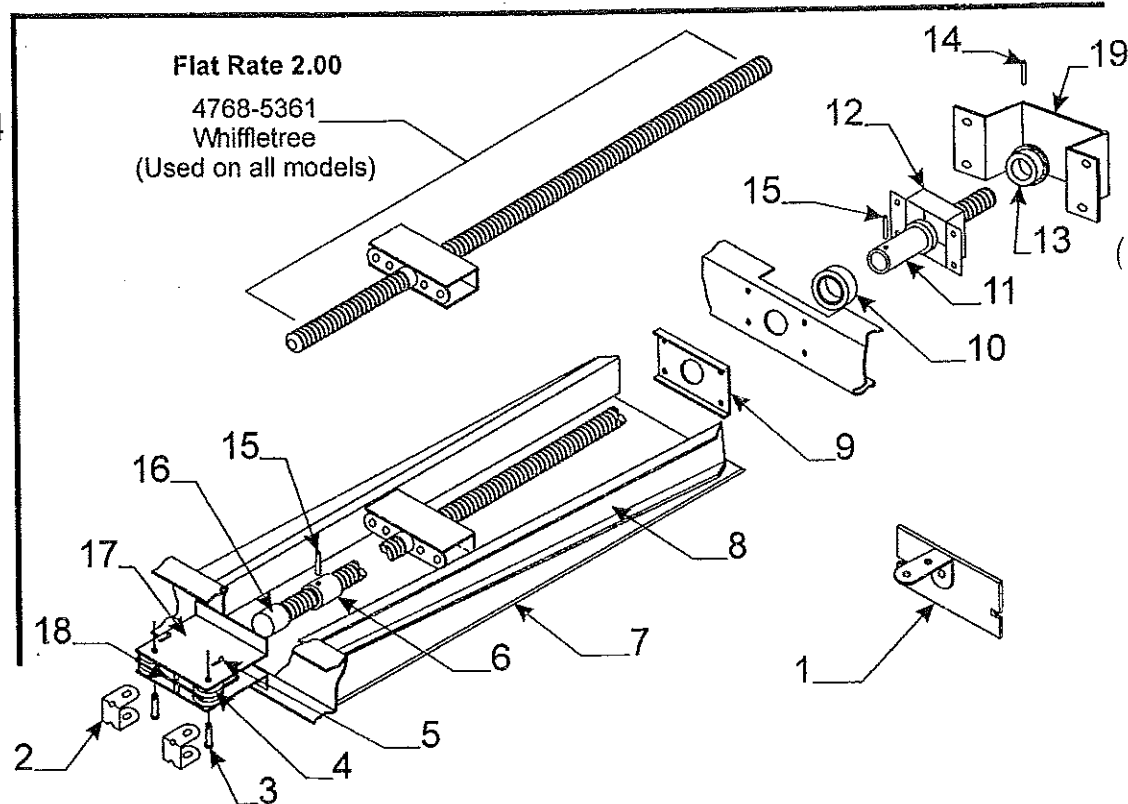
Barker Manufacturing Co
P.o. Box 460
Battle Creek Michigan 49016-0460
Phone: (269)965-2371 (800)537-9940
Fax: (269)965-2389

Flat Rate 1.25 Per Lift Assembly

- 4716-0031 lift assembly roadside rear/curbside front (all)
- 4716-0041 lift assembly roadside front/curbside rear (all except csf Monterey)
- 4767A6511 lift assembly curbside front (3857 Monterey)



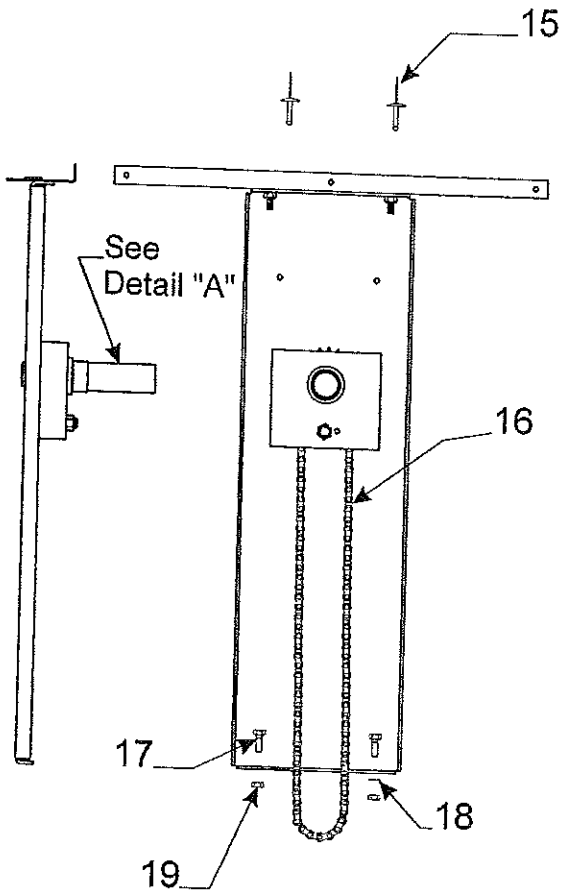
Flat Rate	Lift Assembly Code	Component Part #	Description
.75	1	4720D5271	cable assembly x1 m2
		4720C1691	cable crimp m20
1.25	2	4772-0201	194 1/2" long cable & crimp
		4744-1318	copper cable crimp m10
1.25	3	4731C5801	butterfly bracket assy.
.05	4	4749-2081	screw m6
.50	5	4715A5371	steel pulley & bearing m10
.25	6	4747-8931	long pin x2
		4730B0981	retaining ring m12
.25	7	4749-4061	short pin m4
		4730B0981	retaining ring m12
.25	8	4749A2028	retaining clip
.45	9	4720C1578	lift pin m4
	10	1204B1081	cotter pin m10
	11	1203-8641	rivet m25
	12	1201B6378	1/4" lock nut



Flat Rate 2.00

4768-5361
Whiffletree
(Used on all models)

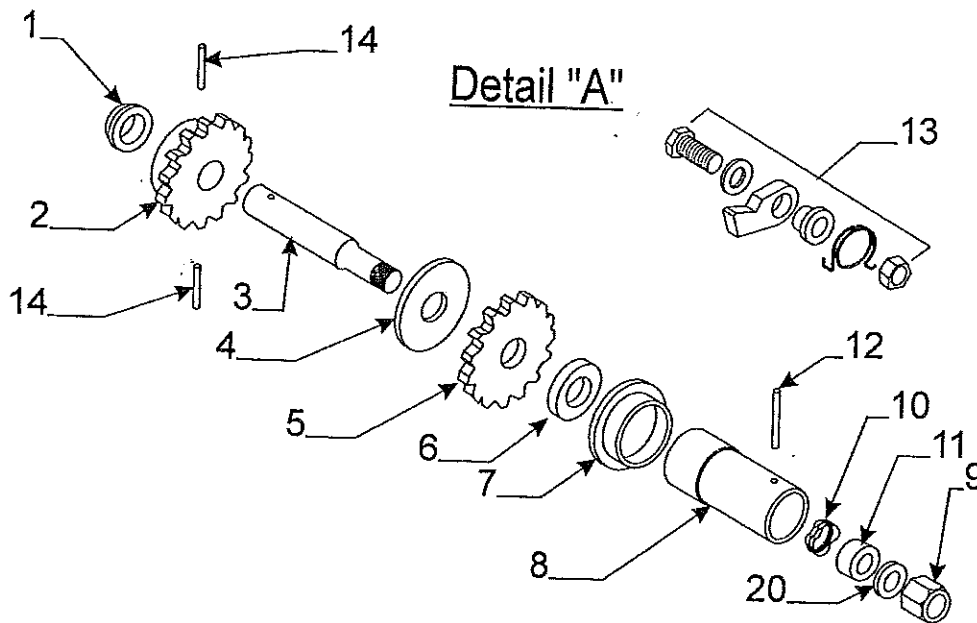
Flat Rate	Whiffletree & Related Parts Code	Part #	Description	Flat Rate	Code	Part #	Description
.15	1	4749A821	mud flap & brkt.	1.50	10	4720B2421	thrust nut bearing
.50	2	4744B1741	cable retainer x2	1.50	11	4720B2388	thrust nut
.20	3	4720J1561	long pin m4	1.50	12	4720B2408	bearing housing
.50	4	4715A5371	pulley & bearing m10	1.00	13	4730C3848	sprocket 12 tooth
.10	5	1204B1081	cotter pin m10		14	4720D1481	roll pin m10
1.60	6	4710B4248	bushing	1.00	15	4744A1301	shear pin m10
.25	7	4752C4921	whiffletree pan cover	2.00	16	4730D1291	screw socket (welded)
.25	8	4720F237	pan cover side (welded)	2.00	17	4720-1551	pulley plate
	9	4720C2418	plate	.50	18	4715D5661	pulley spacer
					19	4758A0481	chain cover



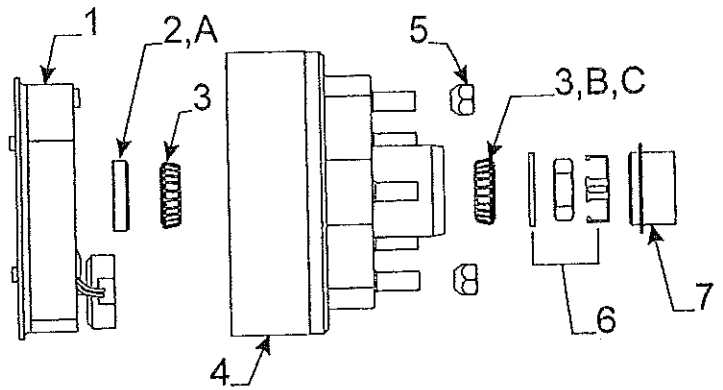
Flat Rate 1.50 complete assembly
4745P6101 crank & sprocket assy.

Flat Rate	Code	Part #	Description
**	1	4751-3501	shaft bushing
**	2	4730B3858	sprocket 24 tooth
**		4730C3858	sprocket 22 tooth
**	3	4751-3521	drive shaft
**	4	4751-3561	pressure plate
**	5	4751-4831	ratchet wheel
**	6	4751-3581	pressure washer
**	7	4751A3591	shaft bushing
.75	8	4769-6371	drive hub extension pkg.
Note: package includes parts marked w/asterisk (*)			
	9	*4751-3551	hex head nut
	10	*4752-3921	handle spring m2
	11	*4751-4671	nylon washer
	12	*4747A9451	spiral roll pin m6
.60	13	4716-1221	ratchet pawl package
	14	4720D1481	roll pin m10
		4744A1301	shear pin m10
1.50	15	1203C8721	rivet m25
	16	4759-8031	crank chain 45 3/8"
		4730A3811	connecting link
	17	4731-3878	hex head bolt x2
	18	1202B0438	washer
	19	1201B6038	hex head nut
**	20	*4757-3938	washer

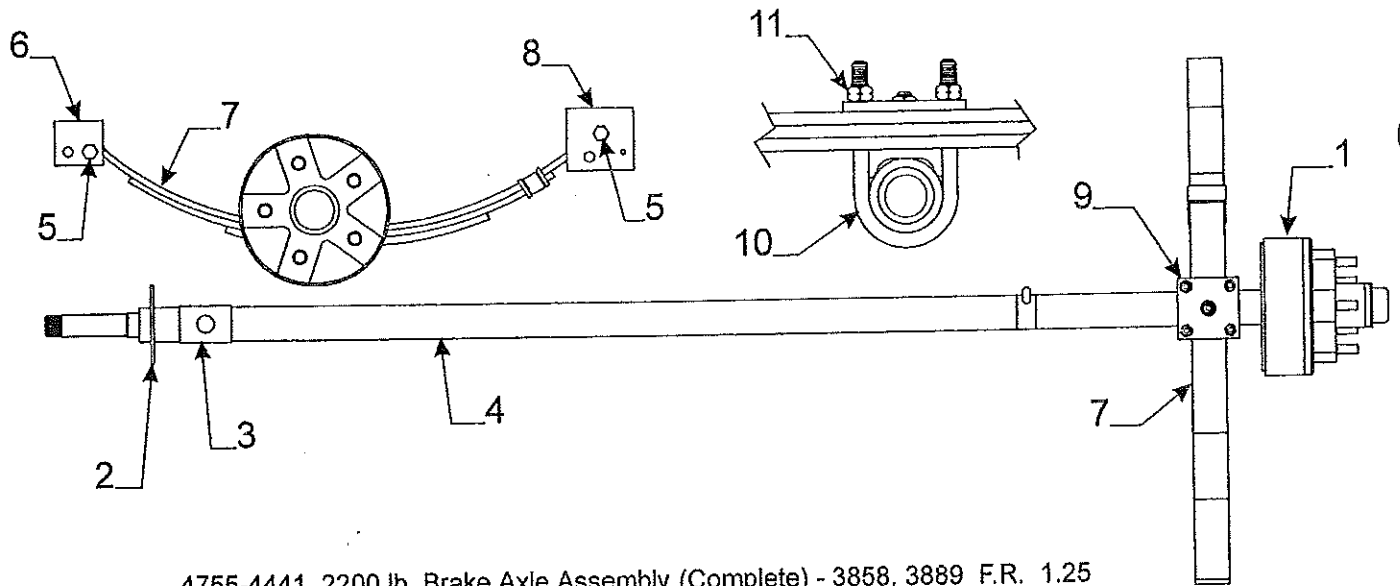
** 1.50 all parts combined



Flat Rate .50 Per Side			
Electric Brake Pkg. 7" x 1 1/4" (4714H2011)			
Electric Brake Pkg. 10" x 2 1/4" (4714J2011)			
Flat Rate	Code	Part #	Description
.50	1	4733A3521	7" brake assembly (rt hand)
.50		4733A3531	7" brake assembly (lt hand)
.50		4716-6251	10" brake assembly (rt hand)
.50		4716-6261	10" brake assembly (lt hand)
.50	2	4714A2201	7" grease seal x1 m4
.50		4716-1441	10" grease seal x1 m4
.50	3	4716-1101	7" bearing, race & seal pkg.
.50		4716-1451	10" bearing, race & seal pkg.
.30	4	4716A1071	7" hub & drum x2
.30		4716-1431	10" hub & drum x2
.05	5	4747A9528	lug nuts x5
.10	6	4714A3061	washer, nut & retainer pkg.
.05	7	4714C0621	EZ lube grease cap m4



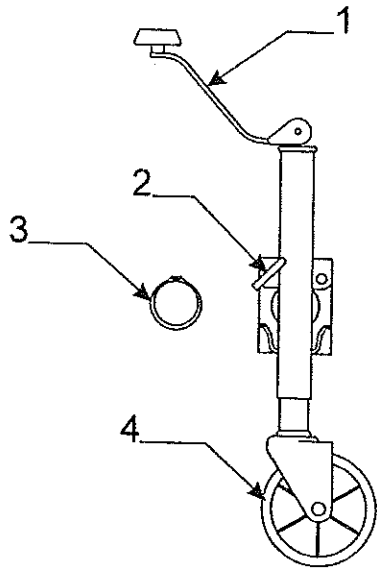
Crossover Numbers To Purchase Locally
A 13194TM or 198138SP21 Grease Seal (7" hub)
 171255VB Grease Seal (10" hub)
B L44649 Bearing (7" hub x2/ 10" hub x1 "outer")
 L68149 Bearing (large inner x1 10" hub only)
C L44610 Race (7" hub x2/10" hub x1 "outer")
 L68111 Race (large inner x1 10" hub)



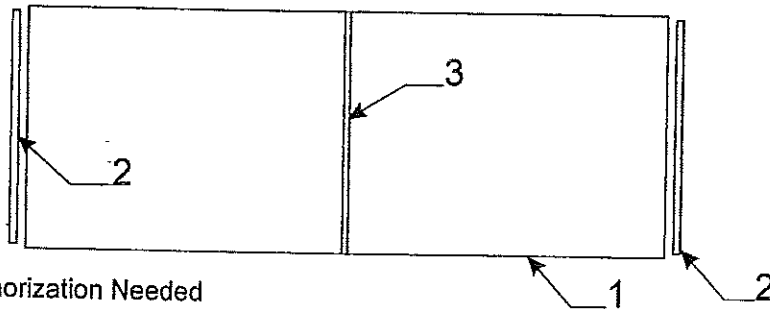
4755-4441 2200 lb. Brake Axle Assembly (Complete) - 3858, 3889 F.R. 1.25
 4759-3561 3000 lb. Brake Axle Assembly (Complete) - 3896 Cheyenne F.R. 1.25
 4730W3011 3500 lb. Brake Axle Assy. (Complete) - (12' models only) F.R. 1.25
NOTE: Axle Assy. 4730W3011 limited parts stocked
 refer to Dexter Axle for required part (s) phone - 219/295-1900

Flat Rate	Code	Part #	Description	Flat Rate	Code	Part #	Description
	1	Note: refer above for hub & components		.75	7	4735G2201	leaf spring (3 ply) 2200 lb. axle
*	2	4741A8471	brake plate 2200 lb. axle	.75		4735H22081	leaf spring (4 ply) 3500 lb. axle
*	3	4741-8461	spring pad channel m2	2.00	8	4741C3398	spring shackle "front" (all)
1.00	4	4716F6251	axle beam 2200 lb. axle	.50	9	4741-8458	u-bolt plate 2200 lb. axle
.25	5	4737A1318	shackle bolt (all)	.25	10	4741A8438	u-bolt 2200 lb. axle
		4741-9498	shackle bolt nut (all)		11	4741-9358	u-bolt nut 2200 lb. axle
2.00	6	4741A3398	spring shackle "rear" (all)				

* PRIOR AUTHORIZATION NEEDED

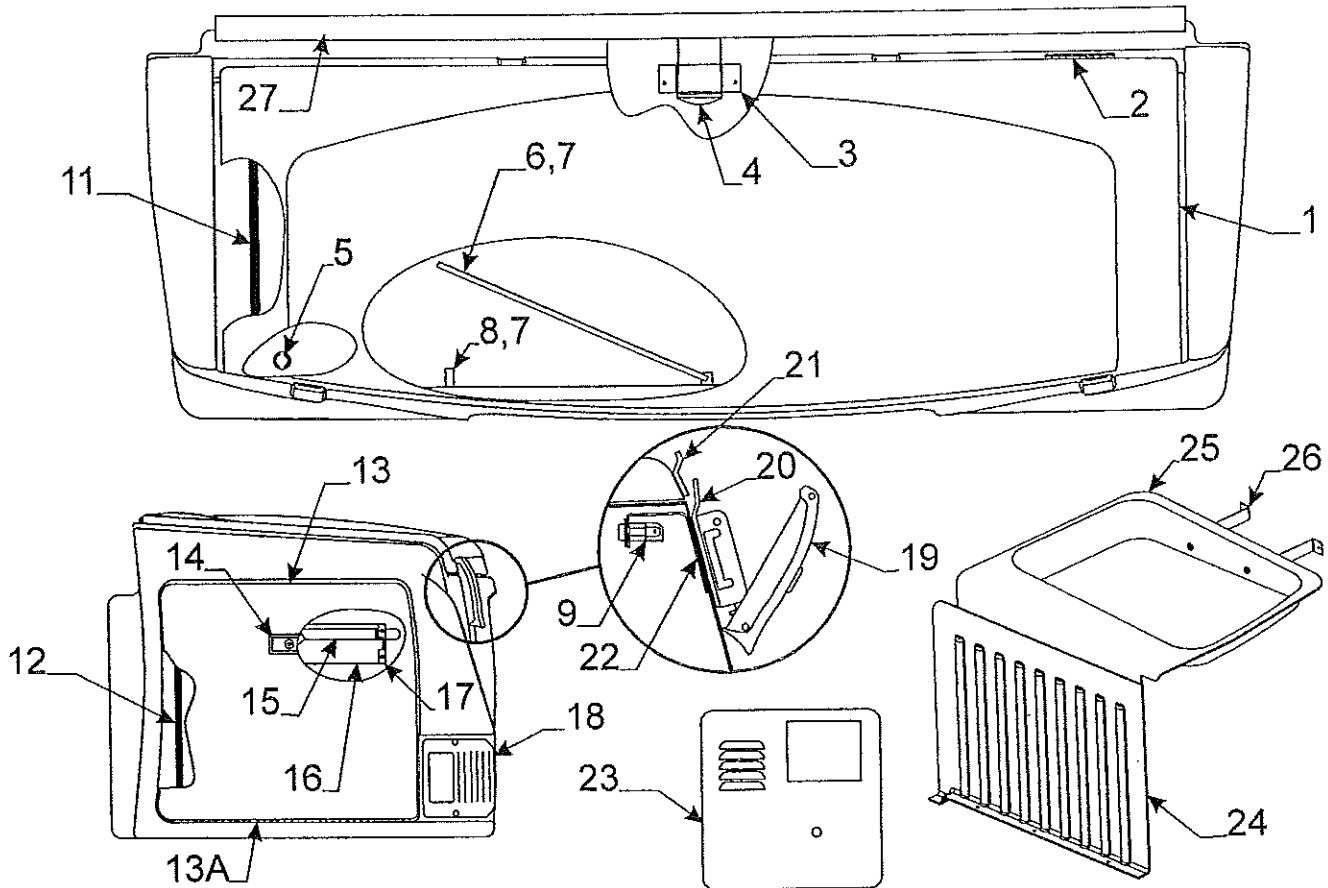


Flat Rate .10 Jack Removal			
Tongue Jack Assembly (4720C6661) "Norco"			
Flat Rate	Code	Part #	Description
.15	1	4716-1951	jack handle kit
.15	2	4716-1981	locking plunger kit
.10	3	4720A3341	snap ring m2
.25	4	4716-1971	jack wheel nut & bolt



* Prior Authorization Needed

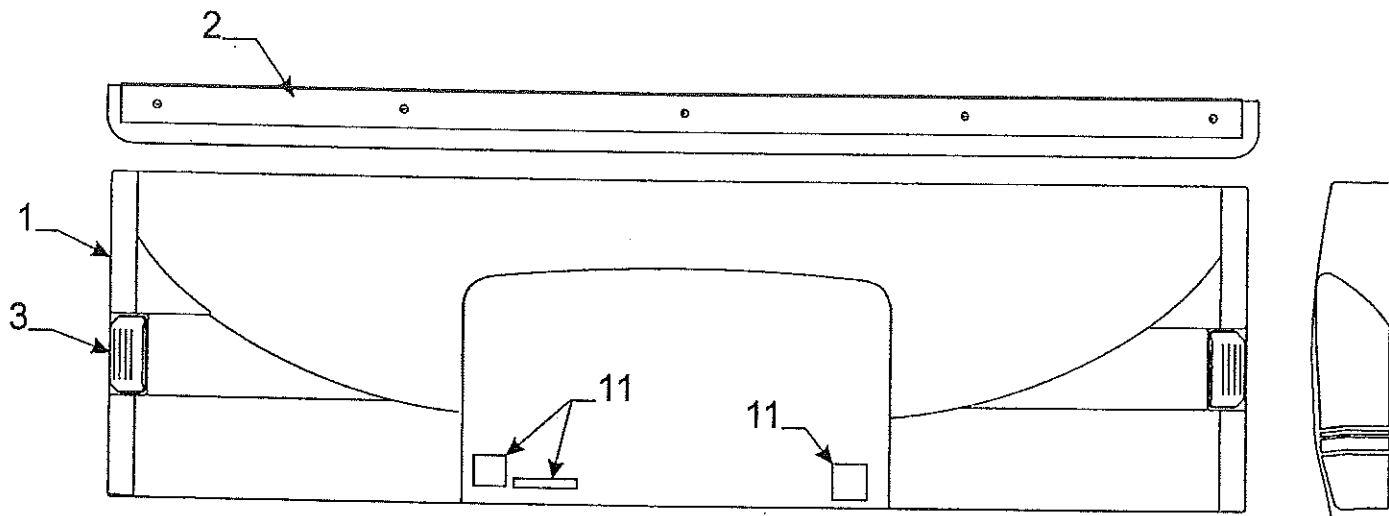
Flat Rate			
Paneling & Trim (Must Cut To Size)			
Flat Rate	Code	Part #	Description
*	1	4716C2721	side wall panel 5/32" x 48" x 35 5/16"
*		4716-3751	frt./rear wall panel 3/8" x 83 3/8" x 23 13/16"
*	2	4716C1321	universal corner divider m2 48" pc.
*	3	4716C1331	5/32" universal panel divider m2 48" pc.



Front Storage Box Assy. - 3851, 78, 81, 94, 95, 96, 57
 Storage box replacement Flat Rate - 1.25 add .75 for hot water heater units

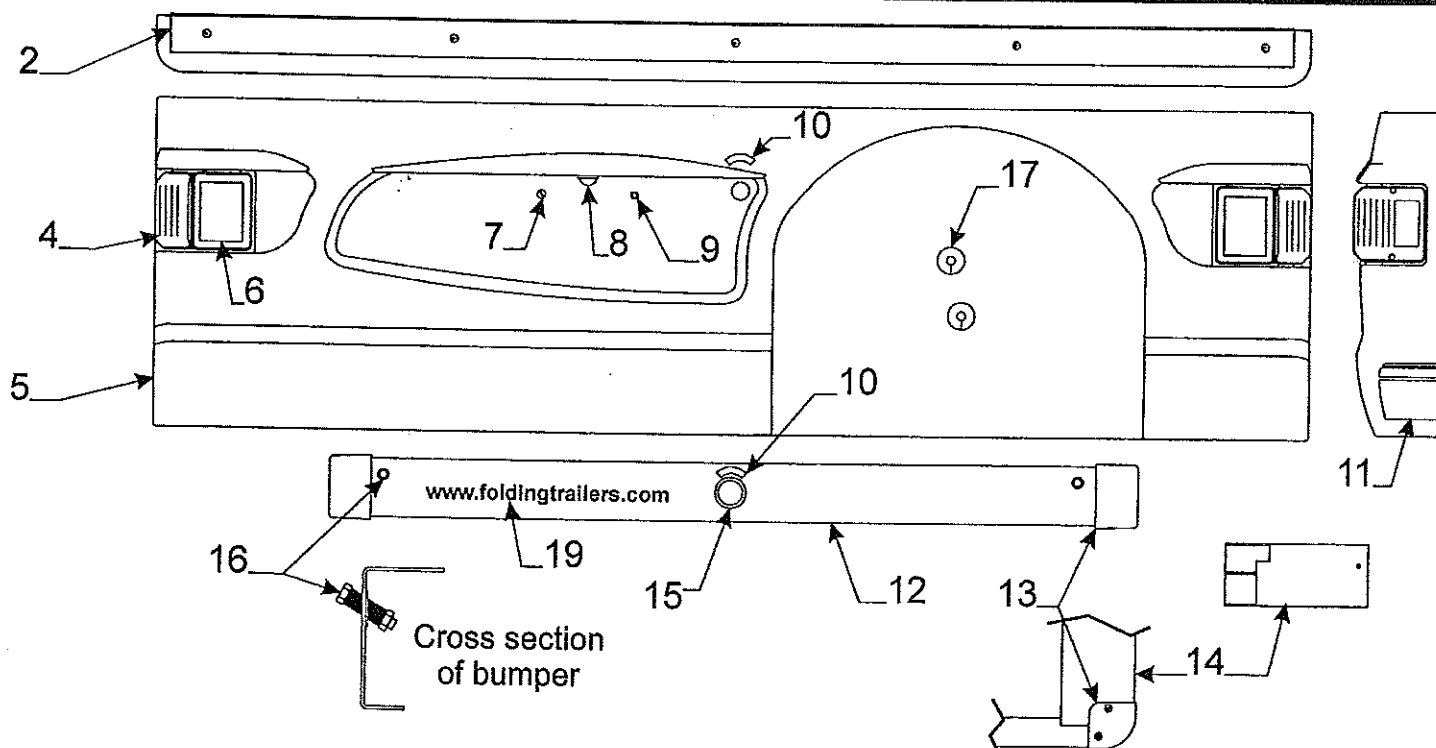
Flat Rate	Storage Box Component Parts	Flat Rate	Code	Part #	Description
	4716N2151 frt./rear decal & hware pkg - .25				
.50	1 4758-9861 storage box lid		15	4768-6631	cargo door lock bar assy.
.20	2 4759B0041 lid hinge x3		16	1202B1068	fender washer
	4758-4331 3/8" ss screw m12		17	4747-2558	cargo door lock pan "black"
	1202E1111 ss washer m12			4759-0371	expansion rivet m25
.50	3 4769-5001 support post assy.			1203-8651	lock pan angles x2 "black"
	1203-8831 rivets m25	.15	18	4759-0261	rivet m25
.25	4 4759-1721 cargo light			4716-1001	wraparound marker light amber
	4744C4611 expansion rivet m25			4758-1201	amber lens
	5 4759-0911 drain plug			4759-1871	expansion rivet m25
	6 4751B1181 prop rod			435000028P	1/2" black vinyl seal washer m12
	4751-1208 push nut	.15	19	4759-0191	butyl tape 6' pc. pkg.
	4751C1191 prop rod bracket				lid latch "locking"
.15	7 4734-2431 gripper clip m4		20	4759-0521	lid stop bkrt. "black"
*	8 4739B2901 snap cap & washer m12			4759-0551	flat head tek screw m12
	9 4759-0381 cargo light on/off switch	.15	21	4759-0201	lid latch strike
	10 4060037501P 3/8" convoluted tubing 10' pkg.			4759-0218	strike screw x2
	Note: Tubing covers interior box wire harness			1201B6958	keps nut x2
.75	11 4060000601P lid seal pkg. (15' pc.)		22	4759-0361	switch bracket
.20	12 4060000689P cargo door seal (6' pc. pkg.)	.25	23	4716A1331	water heater door "gray"
.50	13 4758-9851 cargo door (complete)	.30	24	4759-2681	water heater cover side
	13A 4759A0071 cargo door hinge	.30	25	4759-2671	water heater cover top
	4747-2558 expansion rivet m25		26	4759-2661	water heater cover brkt.
	4759-1711 3/8" ss screw m12			4732-1181	plastic grommet m4
.15	14 4730C3111 cargo door lock w/key			1121C1618	screw x2
	4759-0531 lock seal		27	4759A1861	closeout angle
	1032E10168 10-24 x1 ss screw x2				
	4759-0548 female threaded screw x2				

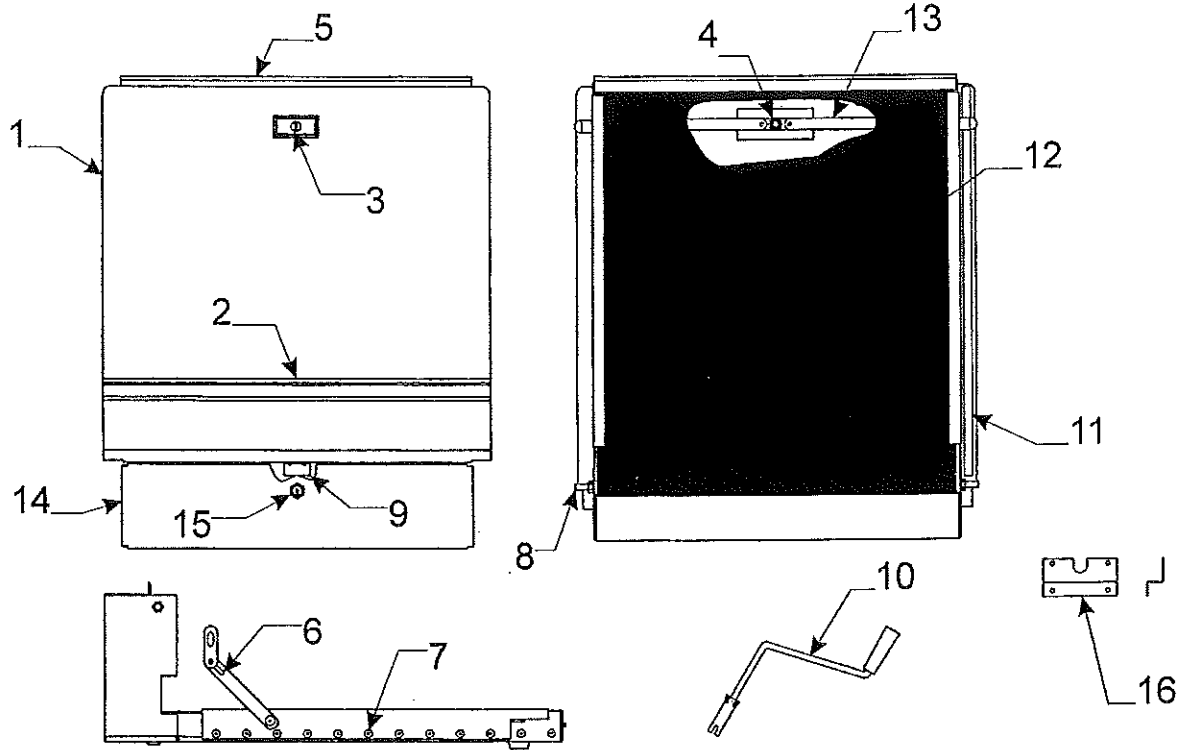
Note: lockable latch used in place nonlocking latch



* 1.50 Flat Rate Front Panel / 2.50 Rear Panel

Flat Rate	Code	Part #	Description	Flat Rate	Code	Part #	Description
*	1	4759-1031	frt. body pnl. 3858, 3889	.15	8	4739B4311	tag light
*		4759-0881	frt. body pnl. (storage box models)	.05	9	4732-1181	plastic grommet m4
.75	2	4754G1041	end rail w/sealant tape "white" (all)	.10	10	4730H3188	"open" decal
		4758-4681	rail dismount brkt. (x2 per rail)	.10	11	4716N2151	frt./rear decal & hware pkg
		4350000079P	sealant tape (100' pc. pkg.)	.30	12	4759-1571	3" bumper
		1107E10128	10 x 3/4" screw "ss" (x8 per rail)	.30		4759-1531	4" bumper
.15	3	4759-0261	wraparound marker light amber	.10	13	4759-1561	3" cs/rs bumper cap pkg.
		4747-2558	expansion rivet m25	.10		4759-1521	4" cs/rs bumper cap pkg.
		4716-1001	wraparound amber lens	.20	14	4759-1551	cs/rs 3" bumper extension
.15	4	4714F0851	wraparound taillight red x2	.20		4759-1501	cs/rs 4" bumper extension
.10		4716-1011	wraparound red lens (lens only)	.10	15	4733-2741	2" grommet
	5	4759-0871	rear body pnl. (All except Monterey)	.25	16	4757-4531	bolt x2
		4758B3601	rear body panel 3857 Monterey			4757-4541	bolt collar "black tube" x4
.20	6	4759-1451	taillight red x2			1202B1068	washer x2
.10		4714-1451	taillight lens (lens only)	.10	17	1201B6068	nut x2
		4747-2558	expansion rivet m25			4754-3871	foam gasket m2
.05	7	1121C1618	license plate screw x2		18	4716-4781	shark fin decal pkg. (cs&rs)
					19	4767-0888	www.com decal

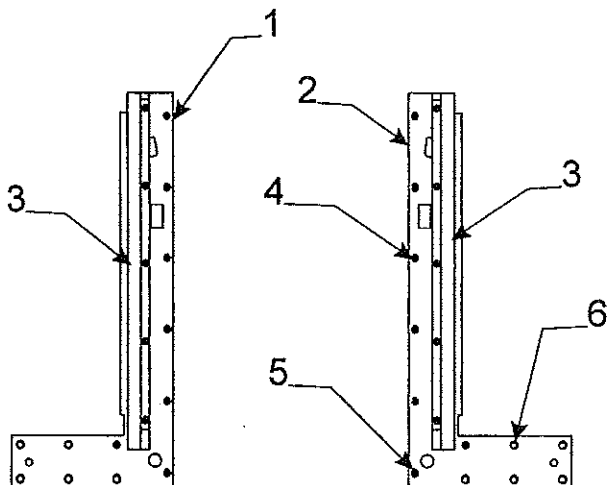




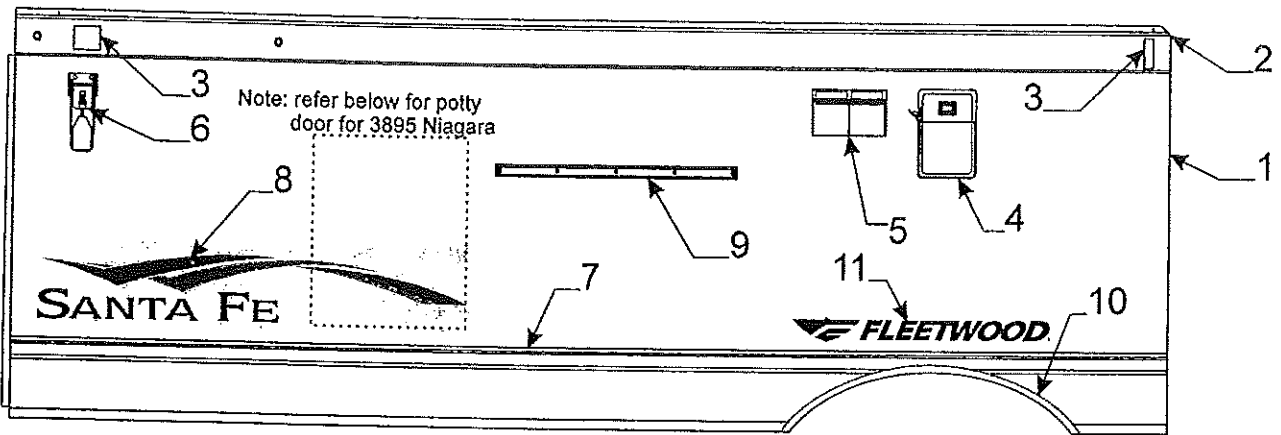
4754D6931 Access Door Assembly "complete" less trim tape

FLAT RATE 1.25 complete door assembly

Flat Rate	Access Door Component Parts	Flat Rate	Access Door Bulkheads & Components		
Code	Part #	Description	Code	Part #	Description
1.00	1	4754B4741 door skin	8	1006B2428 bolt x2	
	2	4350002003P trim tape pkg. (16' pc.)		1201B5188 nut (to affix bolt to door)	
1.00	3	4730C3111 lock handle (with key)		1201B6448 nut (affix door to to trailer)	
		4716-081 screw x2		1202B0468 washer m10	
		1201B6958 keps nut x2	.10	9	4747A2521 latch angle w/rivets
1.00	4	4741-1438 reinforcement plate		10	4747G4141 crank handle
.25	5	4757C9451 access door cap "arctic white"	.20	11	4060025006P foam tape pkg. (4' pc.)
		4733D0601 rivet m25 "arctic white"	1.00	12	4758B4711 step covering "black flextrud"
.15	6	4744-6981 swing arm pkg. (w/rivet & washer)	1.00	13	4741A6551 lock bar assembly
		1203C8721 rivet m25	.25	14	4754-6921 lower dr. w/hinges - less lock
		1202B0468 washer m10			1203-8951 rivet m25 (affix door in place)
	7	4733G0601 rivet "black" m25	.25	15	4751D8301 lock assembly w/o-ring
				16	4758-3571 step door light brkt.
					4714J08481 amber light assy.
					4747-2558 expansion rivet m25

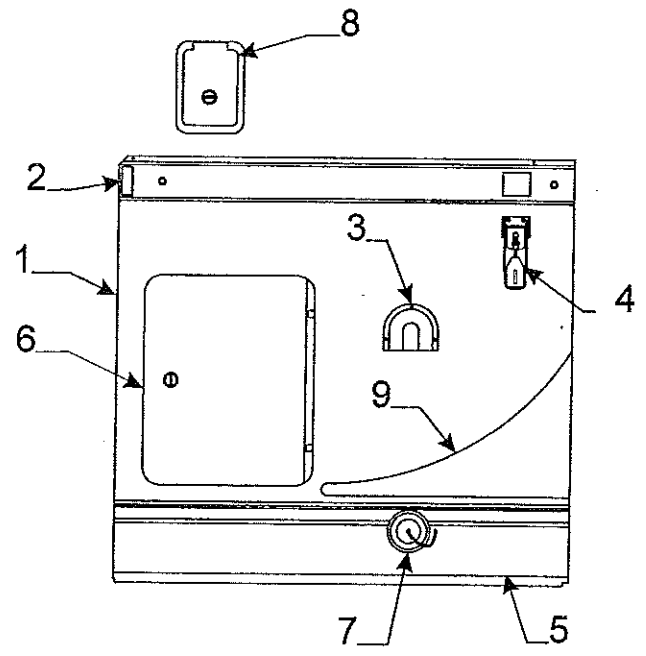


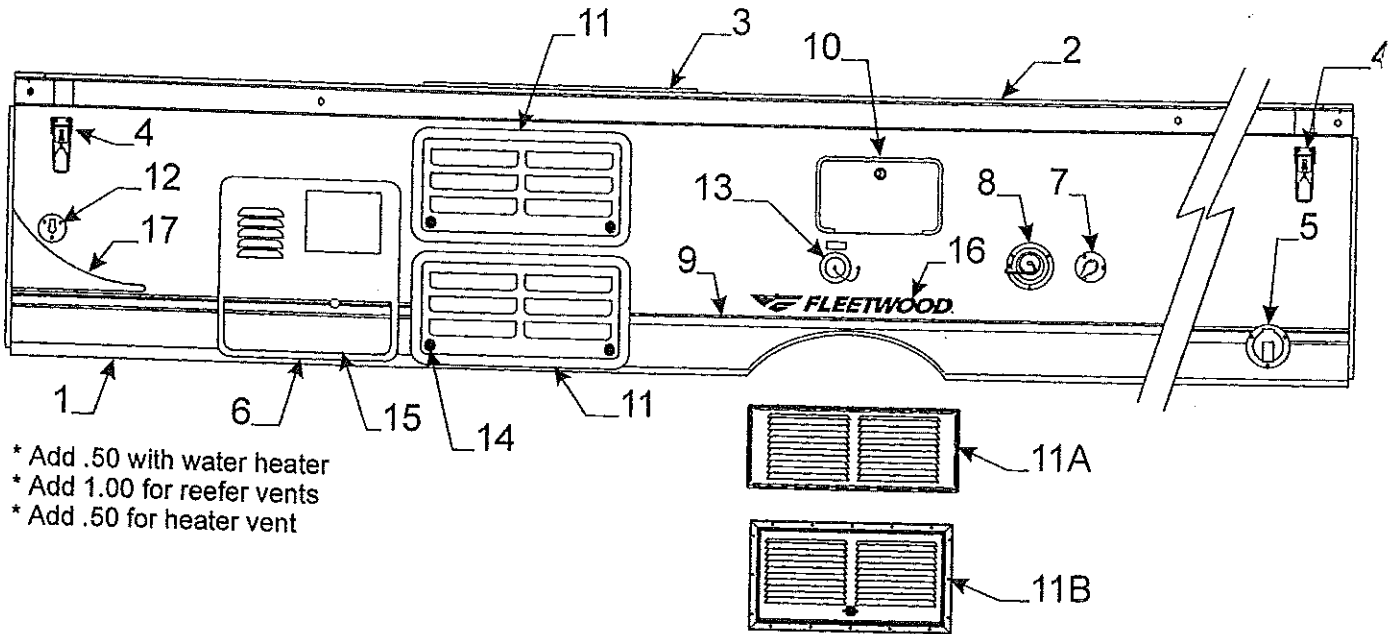
Flat Rate	Access Door Bulkheads & Components	
Code	Part #	Description
1.25	1	4754C8111 csf bulkhead (all)
1.25	2	4754B8121 csr bulkhead (all)
.35	3	4745B0811 rubber door seal
	4	1203-8641 rivet m25
	5	1203-8978 countersunk rivet m25
	6	4744A0501 hex head tek screw m25



Curbside Rear Body Panel Components				Curbside Rear Body Panel Components			
Flat Rate	Code	Part #	Description	Flat Rate	Code	Part #	Description
1.00	1	4754H0151	csr body panel 3858,89	.50	7	4716R2101	trim tape & hardware kit
1.00		4754L1601	csr body panel 3896	.25	8	4758A2158	Carmel name decal 3858
.85		4759-1371	csr body panel 3851,81,94,57	.25		4749N4438	Santa fe name decal 3889
1.00		4755E3461	csr body panel 3878	.25		4755E4728	Mesa name decal 3851
1.00		4755M0431	csr body panel 3895	.25		4755E4738	Utah name decal 3881
1.00	2	4754J0991	csr body rail 3858,89	.25		4754G3808	Westlake name decal 3894
1.00		4754G1561	csr body rail 3896	.25		4751L0658	Cheyenne name decal 3896
1.00		4759-1351	csr body rail 3851,78,81,94,95	.25		4753H2348	Niagara name decal 3895
1.00		4758C2571	csr body rail 3857	.25		4756F3498	Bayside name decal 3878
.10	3	4716-2771	vel-stick velcro pkg.	.25		4758A2608	Monterey name decal 3857
.25	4	4757A1881	porch light	.25		4755D4818	CP decal 3858, 3889, 3881
.10		4716A1881	porch light lens	.25	9	4750A8481	stove support brkt.
.05		4716-1891	12 volt plug m4			4745-3968	screw
.25	5	4746A3861	duplex cover & outlet			4744C2461	torx screw m2
.35		4746-3871	duplex box			1201B6958	nut x2
		1203-8678	rivet m25 (rivet box to pnl.)	.10	10	4060075008F	foam tape 3/4" x 1" (sold/ft.)
.15	6	4741C6041	top latch (w/o lock tab)		11	4761-1958	Fleetwood decal
		4749-4848	foam pad				

Curbside Front Body Panel Components			
Flat Rate	Code	Part #	Description
.85	1	4754B8501	csf body panel 3858,89
.85		4754D1581	csf body panel 3896
1.00		4756C4361	csf body panel 3851,81,78,95,57
.85		4759-1381	csf body panel 3894
1.00	2	4754H0981	csf body rail 3858, 3889
1.00		4754J1571	csf body rail 3896
1.00		4759-1361	csf body rail 3851,81,94,95,78
1.00		4758C2591	csf body rail 3857
		4716-2771	vel-stick velcro pkg.
	3	4757-9261	vent cover "plastic"
.15	4	4715F5051	top latch (w/lock tab)
.50	5	4716R2101	trim tape & hardware kit
.50	6	4759-6341	potty hatch dr. 3894
		4733D0601	rivet m25
		4757-8711	frame angles x2
		4350000028P	3/4" butyl tape pkg. (6' pc.)
		4060000402P	black d-seal pkg. (6' pc.)
.15		4751D8301	lock & o-ring
.10	7	4714A2861	cap & strap
.25	8	4767-0311	hatch w/lock 3857 Monterey
		4716-7511	hatch door key #Ch751- M2
.25	9	4716-4781	cs/rs shark fin decal pkg.

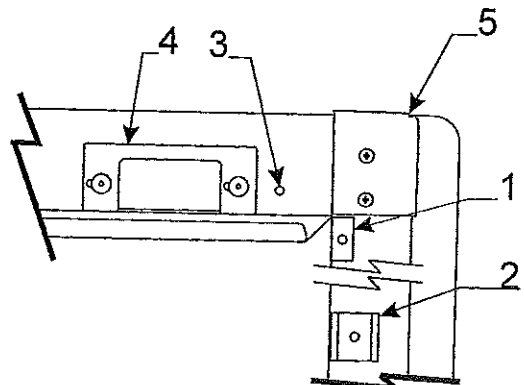


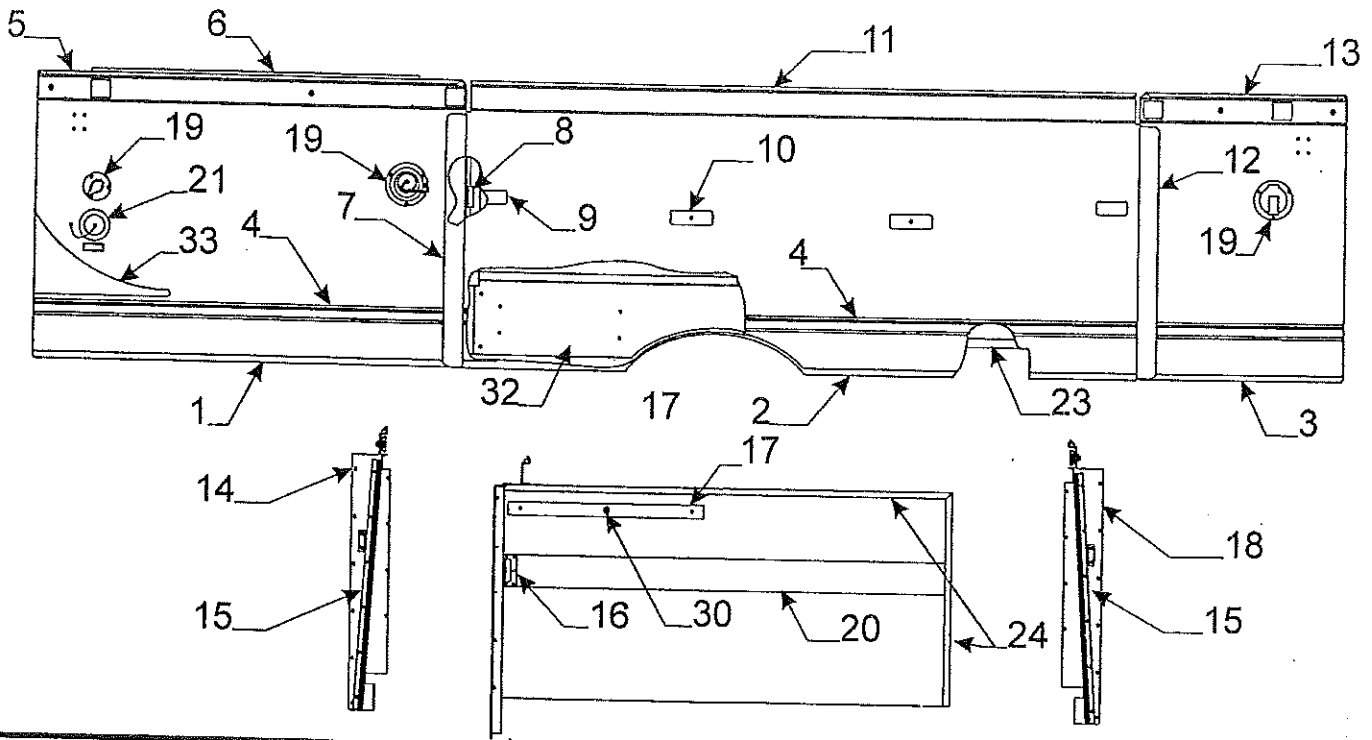


- * Add .50 with water heater
- * Add 1.00 for reefer vents
- * Add .50 for heater vent

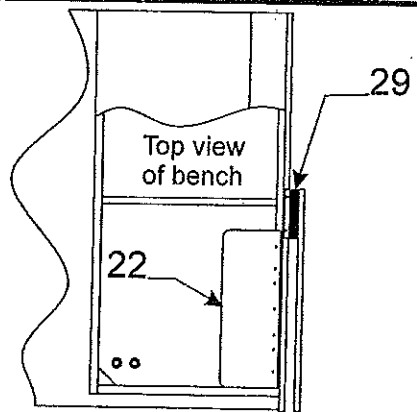
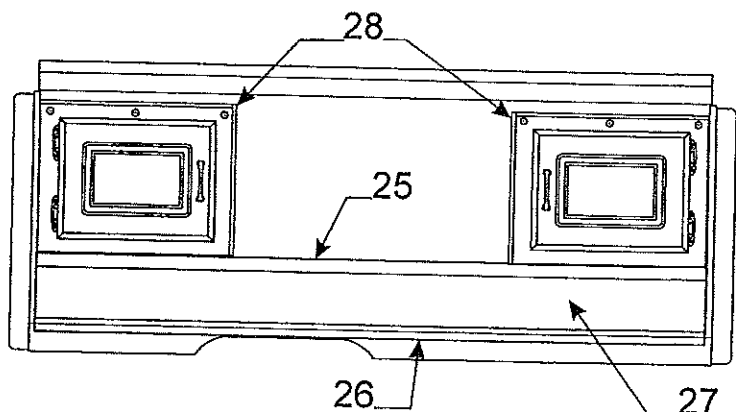
Flat Rate	Code	Part #	Description	Flat Rate	Code	Part #	Description
2.00*	1	4754L0181	rs body panel 3889, 3858	.75	9	4716R2111	trim tape & hardware kit
2.00*		4756E4341	rs body panel 3851	.25	10	4750B5861	o/s shower complete
2.00*		4754K3791	rs body panel 3894	.15		4716-2181	shower head
2.00*		4754M1591	rs body panel 3896	.20		4716-2191	shower hose
3.00	2	4754F3501	rs body rail 3858,89,96	.15		4750A2961	lock assy. w/key
3.00		4754F9121	rs body rail 3851,94	.50	11	4747D8341	refrigerator vent "plastic" x2
		4757-0731	wire grommet & nut			4757-0691	rivet "alum." m25
		4733D0601	rivet m25 "arctic wht."			4757-8301	reefer brkt. "long" x4
		4716-2771	vel-stick pkg.			4757A8071	reefer brkt. "small" x4
.25	3	4737B2211	curtain track	.50	11A	4747D8321	refrigerator vent "upper"
		1203-8678	rivet m25 (rivet track to rail)			4745-3968	screw arctic wht. x4 per vent
.15	4	4741C6041	top latch	.50	11B	4747D8331	refrigerator vent hinged "lower"
		4749-4848	foam pad	.25	12	4757A4871	coax out-let
		4741A9101	tek screw m10			4741A9101	hex head screw m10
.15	5	4733B23361	cable hatch			4753-3321	out-let gaskets
		4741-3508	hex head tex screw x3	.10	13	4714A2861	drain cap & strap
.25	6	4716-1331	water heater door	.10	14	4716-4441	reefer vent clasp m4
.30	7	4732F1521	city fill		15	4758-8541	heater door decal
		4741-3508	hex head tex screw x3		16	4761-1958	fleetwood decal
.30	8	4731D1711	water tank fill spout		17	4716-4781	cs/rs shark fin decal pkg.

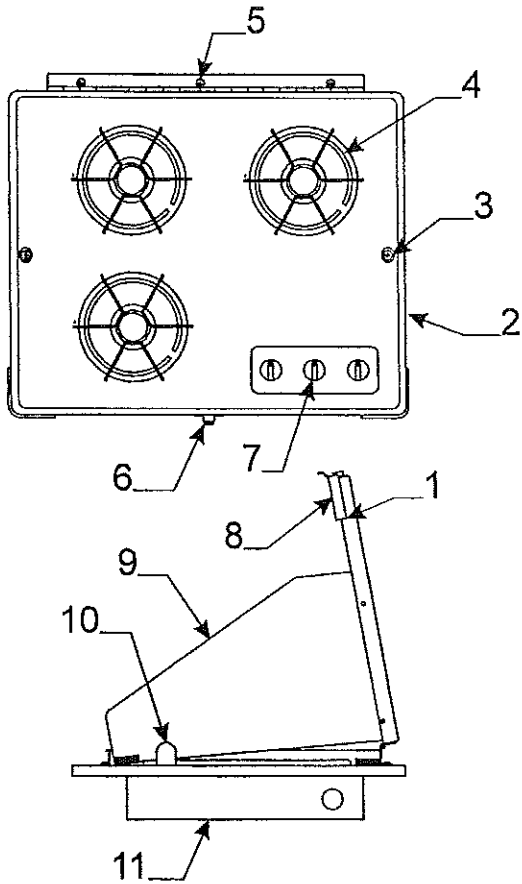
Flat Rate	Code	Part #	Description
.15	1	4754A8491	plastic bed rest & screw
.15	2	4754B8921	plastic bed ramp & screw
	3	4755A4611	hex screw w/rubber washer m10
.25	4	4759-0451	lift trim, gasket & rivets m4
		4753A3941	rubber gasket m4
		4744D3301	rivet m25 "arctic white"
		4350000082P	1/4" x 1/4" foam tape (4' pc.)
.15	5	4759-2971	body rail end cap pkg. rt./lt.



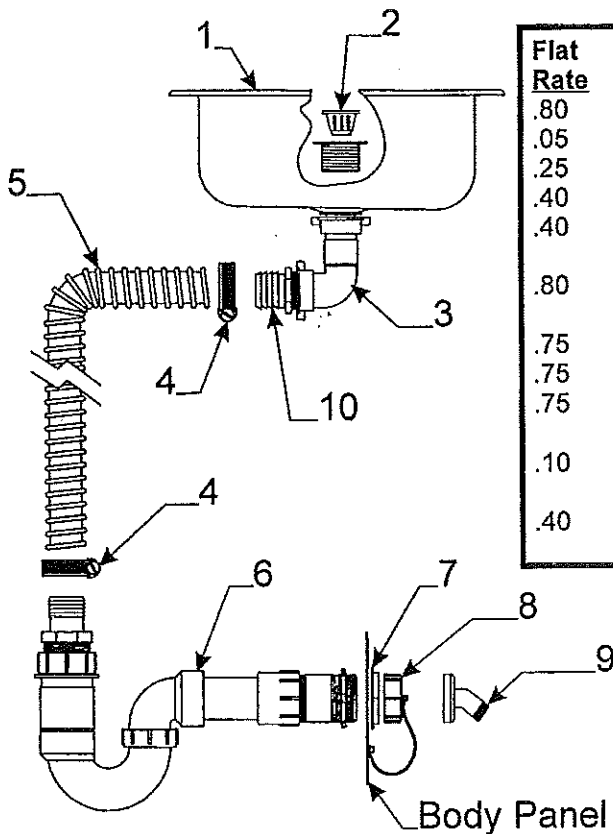


Flat Rate	Code	Part #	Description	Flat Rate	Code	Part #	Description
1.50	1	4756E3281	left front body panel 3881	1.00	13	4759-1921	left rear body rail 3878,81,95
1.50		4755F3441	left front body panel 3878,57	1.00		4758C2611	left rear body rail 3857
1.50		4757D0961	left front body panel 3895	1.65	14	4757D5501	bulkhead left front (all)
1.00	2	4757C5411	glide-out body panel (all)	.35	15	4755-3911	glide-out seal track (all)
Note: oss hole must be cut on models 3878,95,57						4064700589P	sweep seal "black" pkg. (8' pc.)
.50	3	4757B9161	left rear body panel 3878, 3857	.15	16	4756-2171	lock boot w/cover plate
1.50		4756F3291	left rear body panel 3881, 3895	.25	17	4754-3811	vel-stick (must cut to size)
.75	4	4716R2111	trim tape & hardware kit	1.65	18	4757C5511	bulkhead left rear (all)
1.00	5	4759-1911	left frt. body rail 3878,81,95	.50	19	Note: refer to page 12 for this item	
1.00		4758C2581	left frt. body rail 3857		20	4756-8471	ABS ware strip x2
		4757-0731	wire grommet & nut		21	Note: refer to page 12 for this item	
.25	6	4737D2231	curtain track	.40	22	4756A6131	metal flip-up backrest x2
		1203-8678	rivet m25 (rivet track to rail)	.20	23	4756-2651	3/4" wht. L- channel 48" pc.
.25	7	4716-8041	angle seal pkg. frt./rr (all)	.20	24	4756C1461	U-channel 48" pc.
		4060000023P	d-seal pkg. "white" (5' pc.)	.50	25	4757B2161	edge cap "painted maple"
.75	8	4756A4171	strike w/screws	.50	26	4757-2351	floor sweep
		4756-3251	shim	.25	27	4756B6041	wood kick plate assy.
.75	9	4755-4091	latch & gasket		28	Note: refer to page 28 for bench components	
.75	10	4756-1181	pull handle	.10	29	4756-1151	5 1/2" brush seal
		4738-2608	tek screw "black"		30	4730A3548	stud w/screw
.75	11	4756E1291	glide-out body rail (all)	1.25	31	3568803202P	ware plate "galvanized" 30x55
.25	12	4716-8041	angle seal pkg. frt./rr (all)		32	Note: Plate located on bottom side of floor	
		4060000023P	d-seal pkg. "white" (5' pc.)	1.25	32	4757B5601	g/o cover plate assy. "black"
					33	4716-4781	cs/rs shark fin decal pkg.

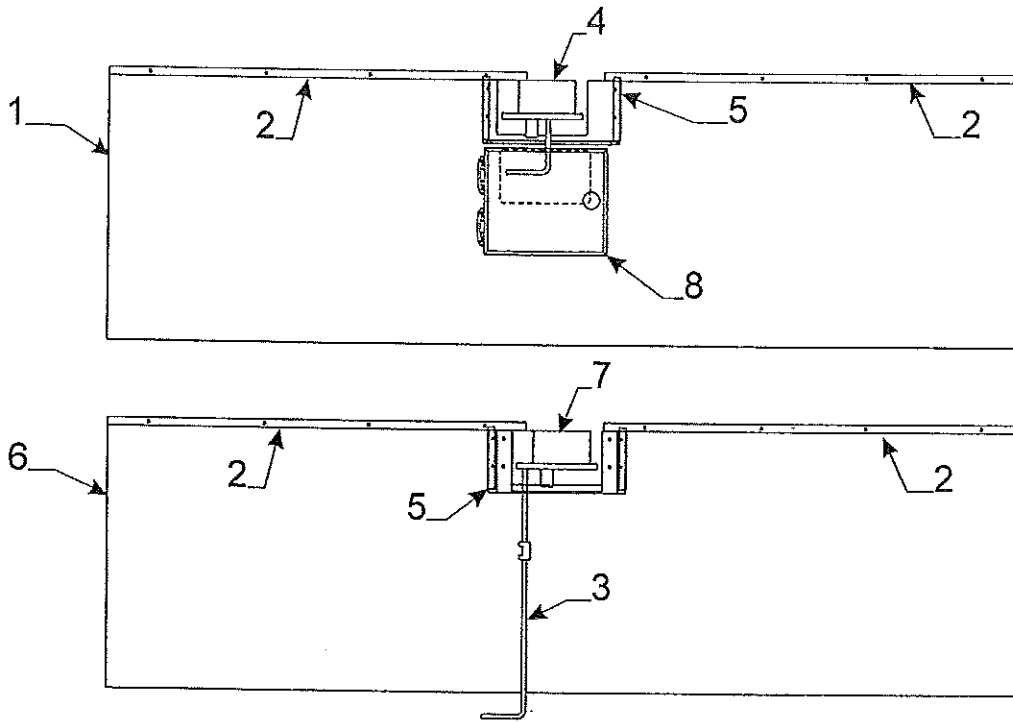




Stove Component Parts (Upper Galley Assy.'s)			
Flat Rate	Code	Part #	Description
.15	1	4741G6261	stove cover assy. 3889,51,96,78,57,95
.15		4741G62681	stove cover assy. 3881,58,94
.15	2	4746B8561	3 burner cook top "white" (all)
.05	3	4716-2631	stove top screw/washer m2
.05	4	4752A9881	stove grate x3
.10	5	4716-2671	stove cover hinge
.15	6	4733-4018	stove cover latch
.15		4733-4028	stove cover strike
.05	7	4716A1861	knob
	8	4732A2291	edge molding m2
.25	9	4716-2661	stove fin "right" 3889,51,96,78,57
.25		4716-2651	stove fin "left" 3881,58,94,95
.15	10	4716-2641	stove fin stay brkt. m2
.75	11	4739H2931	3 burner stove box (all)



Sink & Component parts			
Flat Rate	Code	Part #	Description
.80	1	4745D2801	sink "porcelain"
.05	2	4714C0661	crumb cup "only" (wht. threaded)
.25		4730E3151	crumb cup & basket
.40	3	4757-0861	elbow, nut & washer
.40		4757-9131	black rubber washer
	4	4715-4501	1 1/4" hose clamp
.80	5	4060012503P	1 1/4" drain hose pkg. (10' pc.)
Note: must cut hose to length			
.75	6	4758C5431	drain trap assy (all except 3894,57,78)
.75		4767B5811	drain trap assy. 3857, 3878
.75		4758D5431	drain trap assy. 3894
	7	4757-0921	1 1/2" metal nut "white"
.10	8	4714A2861	cap & strap
	9	4737-9138	drain adapter
.40	10	4757A0871	adaptor 1 1/4" barb - 1 1/2"

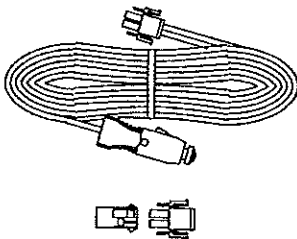


NOTE: REFER TO PAGE 3 FOR A DETAILED VIEW OF THE POWER BED/LIFT SYSTEM PARTS BREAKDOWN.

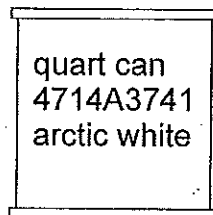
Flat Rate	Code	Part #	Description	Flat Rate	Code	Part #	Description
4.00	1	4758E8131	front wall bulkhead	.35	5	4767-0271	motor cover assy.
.45	2	4757B8761	wood strip	*	6	4758D8191	rear wall wood panel
.50	3	4758-3461	cam bar handle	2.50	7	4767-6451	rear bed motor
1.00	4	4768-5001	front bed motor	8	4766-4301	dr pnl. 10 1/4" x 10 1/4"	

* Prior Authorization Needed From Factory

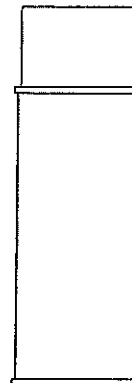
4733D6701 auto extension



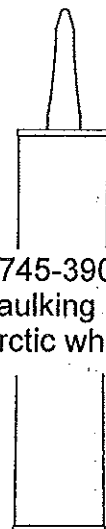
4716A4701 12 volt cap & plug m2



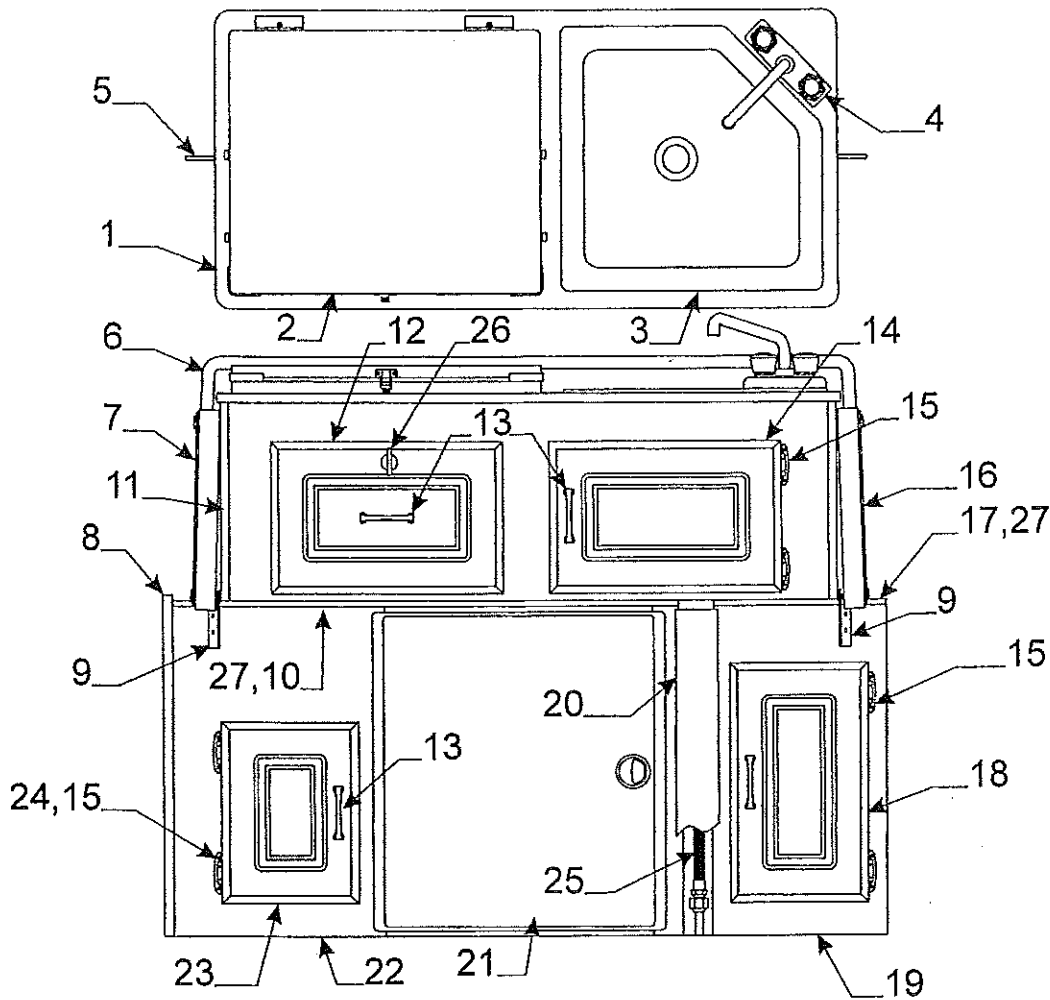
quart can
4714A3741
arctic white



16 oz. spray
0008-2561 arctic white
0008-2571 black "gloss"
0008-2641 black "textured"
0008-2631 russian maple

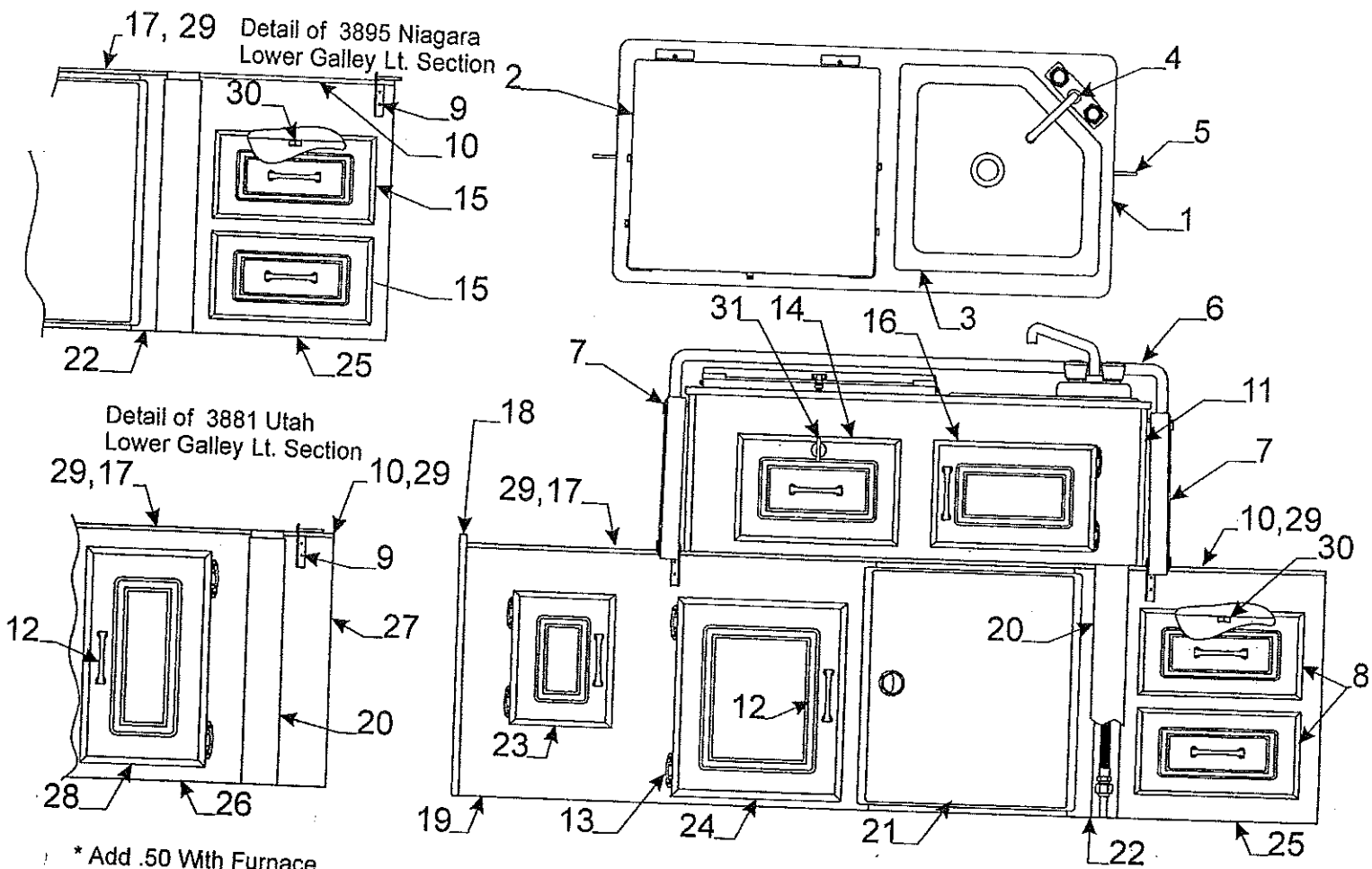


4745-3908
caulking
arctic white

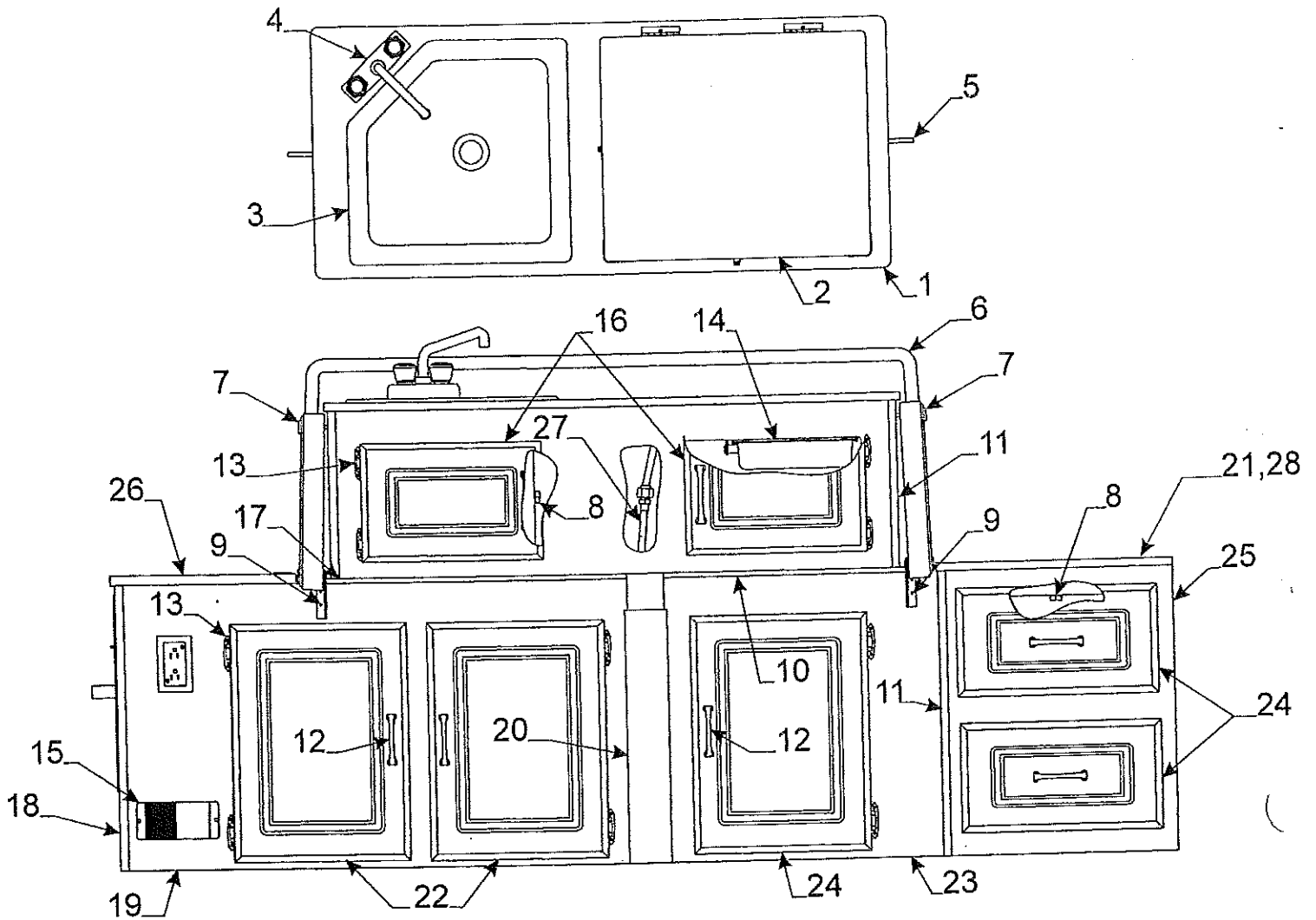


* Add .50 With Furnace

Flat Rate	Upper/Lower Galley Code	Part #	Components - 3858,89,96 Description	Flat Rate	Code	Part #	Description
1.25	1	4759-4391	galley top (all)	.15	12	4758-4831	drawer frt. 15 5/16" x 10"
.30		4060462509P	t-molding pkg. (14' pc.)	.15		4758E6741	drawer assembly
	2		Note: refer to page 14 for stove components			4755-4481	cutlery tray
.80	3	4745D2801	sink "white porcellian"				Note: refer to page 27 for drawer components
			Note: refer to page 14 for sink components	.10	13	4755A2681	door pull w/screws
1.00	4	4745E2741	mixer faucet	.15	14	4758-1421	door pnl. 15 5/16" x 10"
.75	5	4756A6631	upper galley pivot brkt. (lt. & rt.)			4755-4471	spice rack (plastic)
		4734E1861	rivet "elm" m25			4733-6391	latch & strike pkg.
1.00	6	4756F1511	galley lift bar (all)	.10	15	4745C26188	hinge (spring loaded)
		4744-6321	chain assy x2 per bar	.15	16	4757B1951	plastic chain cover (right)
.15	7	4757B1941	plastic chain cover (left)	1.00	17	*4754B8381	lower galley top rt. (all)
.75	8	*4754E2611	seat gazoodi 3858, 3889	.15	18	4757-4631	door pnl. 16" x 9 1/8"
.75		*4759-4101	seat gazoodi 3896	1.00	19	4754C8401	lower galley frt. rt. (all)
.30		4060400091P	lipped t-molding 12' pc. pkg.	.25	20	4750F6731	filler assembly (all)
.60	9	4716A1821	lower galley brkt. pkg.	.50	21	4754A0481	built-in cooler (all)
1.00	10	*4754E8391	lower galley top lt. 3896	.75	22	*4754C8421	lower galley frt. lt. (all)
1.00		*4758-8421	lower galley top lt. 3858, 3889	.15	23	4756A8961	door pnl. 12" x 9"
.20		4746C0971	kill switch m4	.15	24	4757-4581	door pnl. 18 1/2" x 8 3/4"
.65	11	4716D0151	3/8" f-channel 24" pc.	.25	25	4753-5581	flexible gas hose (all)
				.15	26	4757A9081	brass thumb turn lock
				.10	27	4060175000P	1/2" x 3/4" trim angle 6' pc

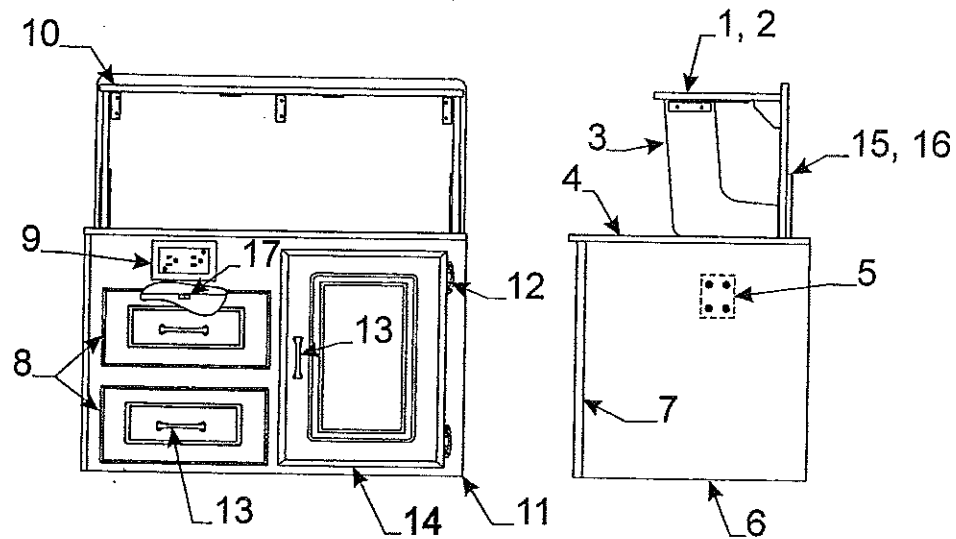
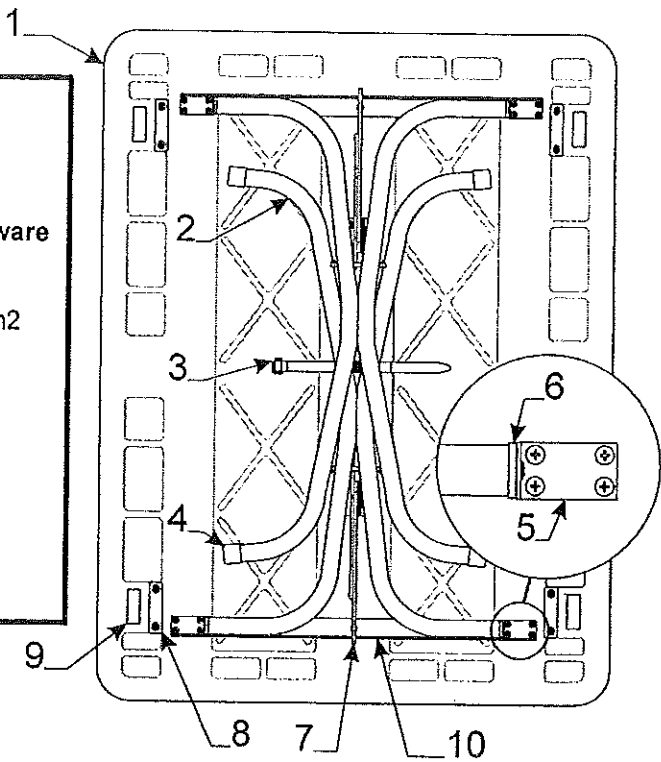


Flat Rate	Code	Part #	Description	Flat Rate	Code	Part #	Description
1.25	1	4752N9071	galley top 3881,94,95	.15	15	4757-4641	drawer frt. 3895
.30	2	4060462509P	t-molding pkg. (14' pc.)	.15		4756D5111	drawer assy. 3895
.80	3	4745D2801	sink "white porcelain"	.15	16	4758-1421	door pnl. 15 5/16" x 10"
1.00	4	4745E2741	mixer faucet	1.00	17	4755-4471	spice rack (plastic)
.75	5	4756A6631	upper galley pivot brkt. (lt. & rt.)	1.00		4758A8411	lower galley top lt. 3881
		4734E1861	rivet "elm" m25	1.00		*4757D1621	lower galley top lt. 3895
1.00	6	4756F1511	galley lift bar (all)	.75	18	4757-4391	gazoodi 3894
.15	7	4744-6321	chain assy x2 per bar	.75		4756B0011	gazoodi 3881, 95
.15		4757B1941	plastic chain cover (left)	.30		4060400091P	lipped t-molding 12' pc. Pkg.
.15		4757B1951	plastic chain cover (right)	1.00	19	*4757A2221	lower galley frt. lt. 3894
.10	8	4757-4641	drawer frt. 3894	1.00		*4754F3281	lower galley frt. lt. 3895
.60	9	4758D6501	drawer assy. 3894	1.00		*4757-4421	lower galley frt. lt. 3881
1.00	10	4716A1821	lower galley brkt. pkg.	.25	20	4750F6731	filler assembly (all)
1.00		4756F0541	lower galley top rt. 3894	.50	21	4754A0481	built-in cooler (all)
1.00		4756C9341	lower galley top rt. 3895	.75	22	4754B8411	lower galley frt. 3894
1.00		4757A4461	lower galley top rt. 3881	.75		4755D4641	lower galley frt. 3895
.20		4746C0971	kill switch m4	.15	23	4756A8961	door pnl. 12" x 9 3894,95
.65	11	4716D0151	3/8" f-channel 24" pc.	.15	24	4757-4651	dr. pnl. 18 1/2" x 15 1/8" 3894
.10	12	4755A2681	door pull w/screws	.75	25	4756J0521	lower galley front 3894,95
.10	13	4745C26188	hinge (spring loaded)	.75	26	4757C1631	lower galley front 3881
.15	14	4758-4831	drawer frt. 15 5/16" x 10"	.65	27	4757A4451	lower galley frt. rt. 3881
.15		4758E6741	drawer assy. (All)	.15	28	4756A8931	door pnl. 18 1/2" x 11 3/4"
		4755-4481	cutlery tray (plastic)	.10	29	4060175000P	1/2" x 3/4" trim angle 6' pc.
				.15	30	4733-6391	latch & strike pkg.
				.15	31	4757A9081	brass thumb turn lock

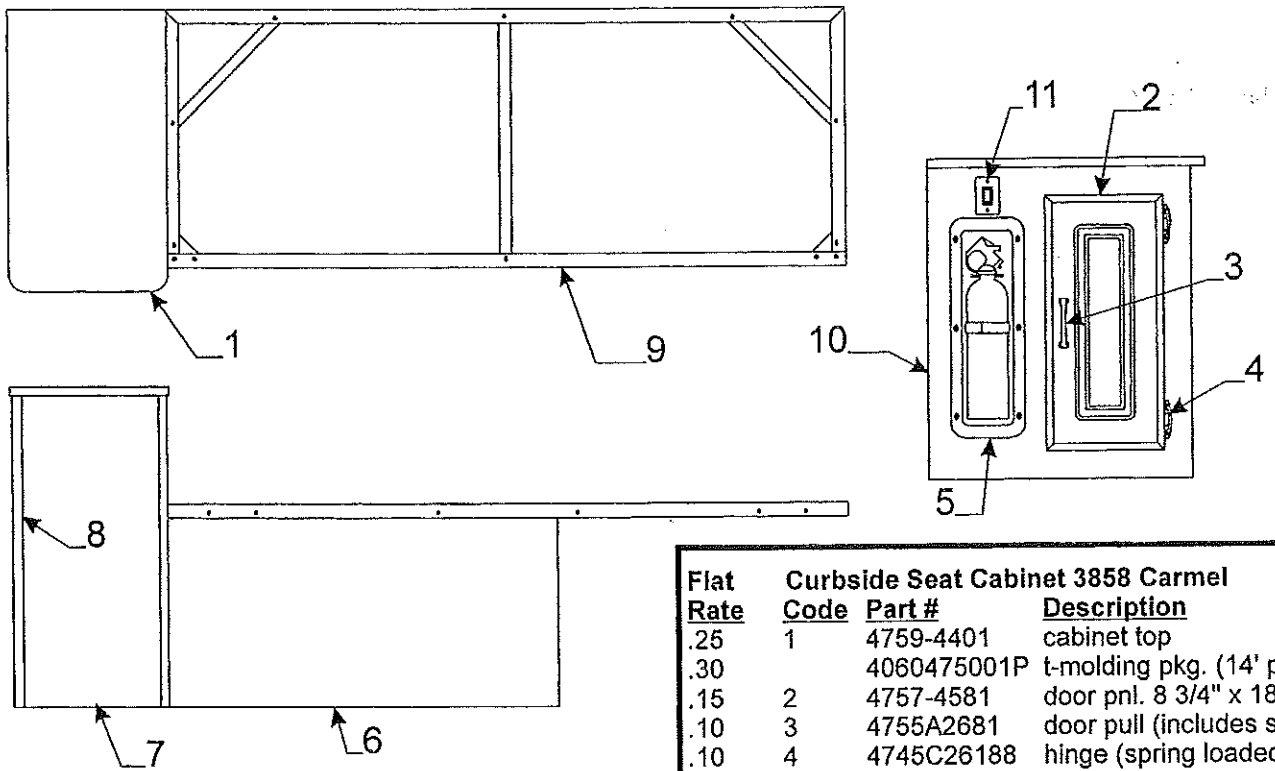


Flat Rate	Code	Part #	Description	Flat Rate	Code	Part #	Description
2.00	1	4759-3241	upper galley top (all)	.15	16	4758-1421	door pnl. (all)
.30		4060462509P	t-molding pkg. (14' pc.)			4755-4471	spice rack (plastic)
	2	Note: refer to page 14 for stove components		1.00	17	4752J9081	lower galley top lt. 3878, 57
.80	3	4745D2801	sink "white porcelain"	1.00		4754F9971	lower galley top lt. 3851
		Note: refer to page 14 for sink components		.10		4060175000P	1/2" x 3/4" trim angle 6' pc.
1.00	4	4745E2741	mixer faucet	.75	18	4756F3621	galley end 3878, 3857
.75	5	4752A9271	upper galley pivot brkt. (lt. & rt.)		Note: refer to page 21 for fire extinguisher		
		4734E1861	rivet "elm" m25	1.00	19	4752L9101	lower galley frt. lt. 3878, 57
1.00	6	4756B4071	galley lift bar (all)	1.00		4754F9981	lower galley frt. lt. 3851
		4757-6341	chain assy x2 per bar	.25	20	4750F6731	filler assembly (all)
.15	7	4757B1911	plastic chain cover (left)	.50	21	4757F0171	cabinet top 3878, 57
.15		4757B1921	plastic chain cover (right)	.15	22	4756A8941	door pnl. x3 3878, 57
	8	4733-6391	latch & strike	.15		4757-4581	door pnl. x3 3851
.60	9	4716A1821	lower galley brkt. pkg.	.75	23	4754D8341	lower galley frt. rt. 3878, 57
1.00	10	4752F9231	lower galley top rt. (all)	.75		4757E0011	lower galley frt. rt. 3851
.10		4060175000P	1/2" x 3/4" trim angle 6' pc.	.15	24	4756A8991	drawer/door frt. x2 3878, 57
.20		4746C0971	kill switch m4	.15		4768-5961	drawer assy. x2 3878, 3857
.65	11	4716D0151	3/8" f-channel 24" pc.	.50	25	4756F3791	cabinet front csr 3878
.10	12	4755A2681	door pull w/screws	.50		4758C4191	cabinet front csr 3857
.10	13	4745C26188	hinge (spring loaded)	1.00		4759-8651	cabinet frt. rsr. 3851
.25	14	4716A3911	cutlery tray w/hardware	.50	26	4757C2481	cabinet top 3878, 57
.25	15	4753-9171	lp gas detector	.50		4759B8661	cabinet top 3851
				.45	27	4753-5581	flexible gas hose 48"
					28	4747-8941	black plastic cap m2

Flat Rate	Code	Part #	Description
.50	1	4759-4361	table top "plastic"
.50	2	4745J5271	table leg package
Note: pkg. includes 2 legs & required mounting hardware			
.10	3	4751A9711	strap & screw pkg.
	4	4752-0551	white plastic cap m2
.15	5	4720F1211	table leg mounting brace m2
		1103E1018	5/8" wood screw
.15	6	4752A0561	table leg insert cap m2
		4747-2558	expansion rivet m2
.25	7	4744-6971	lock brace assy. x2
		1103E1018	5/8" wood screw
.15	8	4756-8741	table top plastic spacer m4
		1103B08148	7/8" screw (x2 per spacer)
.05	9	4724D2631	velcro fastener m4
	10	4759-9601	table brace brkt. x2

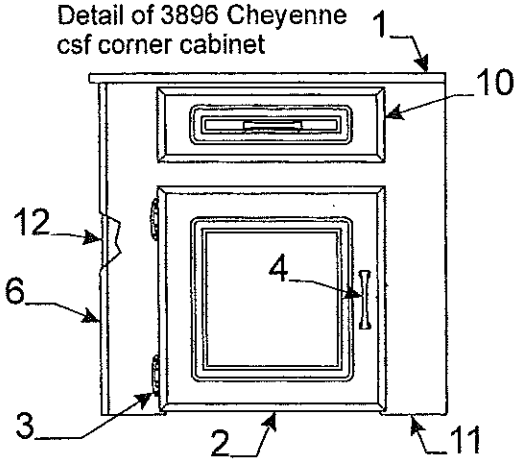


Flat Rate	Code	Part #	Description	Flat Rate	Code	Part #	Description
.25	1	4756C5951	flip-up shelf assy.	.15	8	4757-4641	drawer frt. 15" x 7 3/4"
.20	2	4756C0291	flip-up shelf top	.15		4756D5111	drawer assy. x2
.30		4060462507P	t-molding pkg. (14' pc.)	.20	9	4752-2361	15 amp receptacle
.15	3	4756A0311	flip-up shelf support x2	.25	10	4756A0301	flip-up shelf back
.50	4	4756C0031	cabinet top	.75	11	4756E0041	cabinet front
.30		4060475001P	t-molding pkg. (14' pc.)	.10	12	4745C26188	hinge (spring loaded)
.35	5	4756-5961	pivot bracket	.10	13	4755A2681	door pull w/screws
.15	6	4756A0061	cabinet side	.15	14	4756A8941	dr pni. 14"x18 1/2"
.65	7	4716D0151	f-channel 24" pc.	.30	15	4756A6451	left pivot arm
				.30	16	4756A6441	right pivot arm
					17	4733-6391	latch & strike

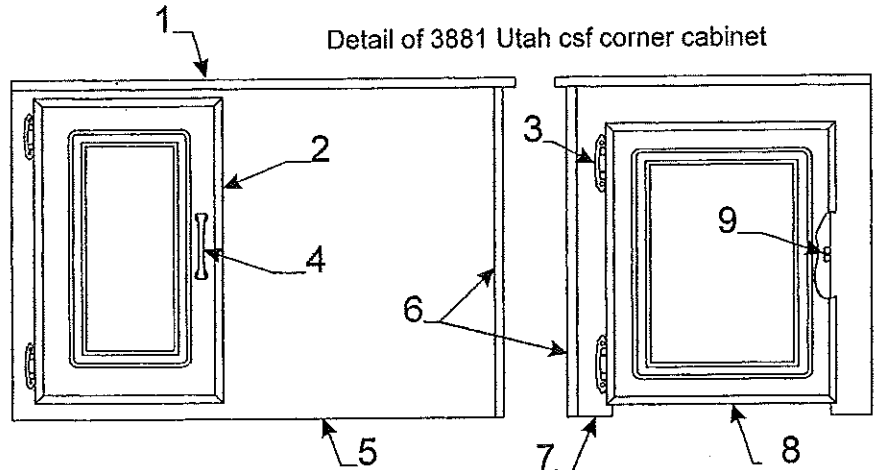


Flat Rate	Code	Part #	Description
.25	1	4759-4401	cabinet top
.30		4060475001P	t-molding pkg. (14' pc.)
.15	2	4757-4581	door pnl. 8 3/4" x 18 1/2"
.10	3	4755A2681	door pull (includes screws)
.10	4	4745C26188	hinge (spring loaded)
	5		Note: refer to page 21 for this item
.30	6	4754E1361	paneling
.30	7	4757C3001	cabinet front
.35	8	4716D0151	3/8" F-channel 24" pc.
.50	9	4767-5971	seat frame assy.
.50	10	4754K1621	cabinet side
.20	11	4746C0971	rocker switch m4

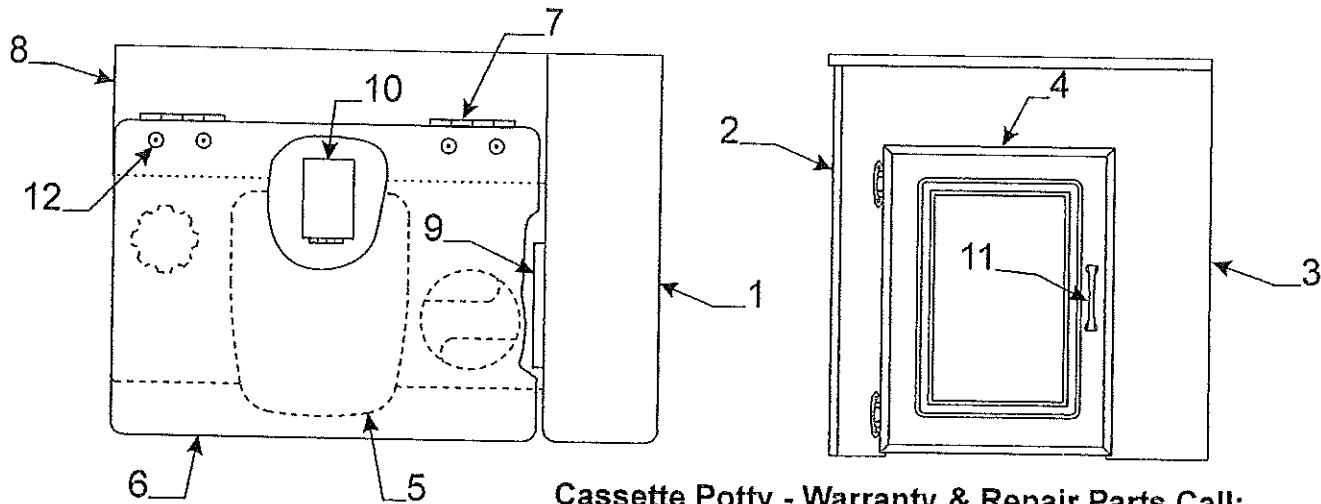
Detail of 3896 Cheyenne csf corner cabinet



Detail of 3881 Utah csf corner cabinet

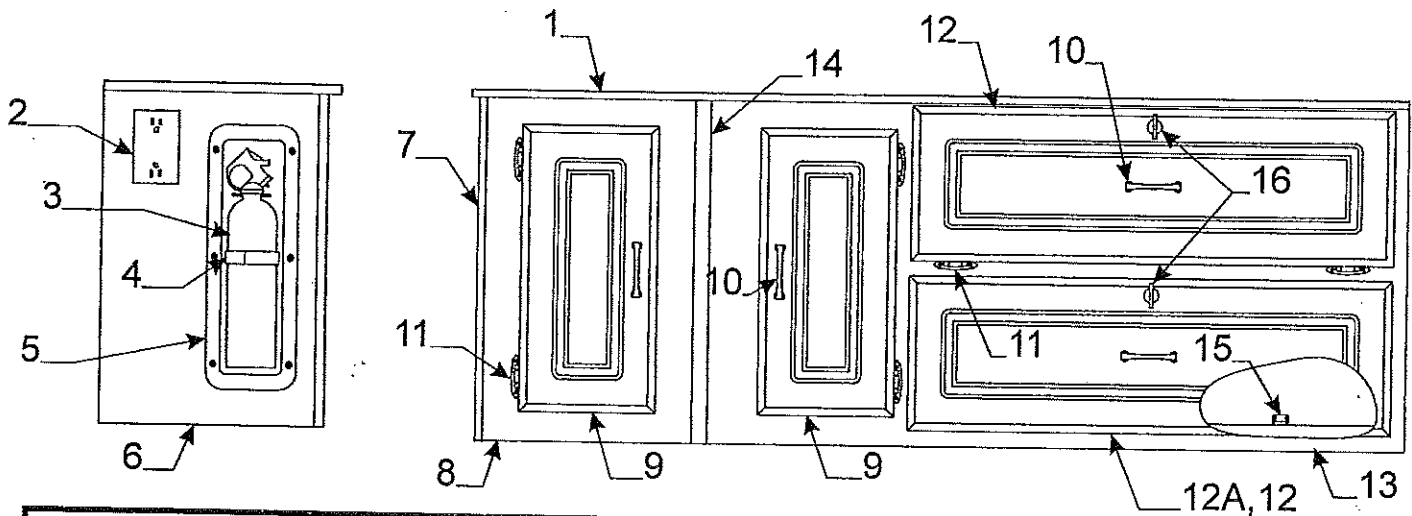


Flat Rate	Code	Part #	Description	Flat Rate	Code	Part #	Description
.50	1	4756D4701	cabinet top 3858, 3889,3881	.65	6	4716D0151	3/8" f-channel 24" pc.
.50		4757B9691	cabinet top 3896	.50	7	4759-0961	cabinet side 3858,89,81
.30		4060475001P	t-molding pkg. (14' pc.)	.15	8	4759-1611	door pnl. 18 1/2" x 16 5/8"
.15	2	4756A8901	dr pnl. 18.5" x 12" 3858,81,89	.15	9	4733-6391	latch & strike
.15		4757-4611	door pnl. 15 1/8" x 15 1/8" 3896	.15	10	4757-8201	drawer frt. 14 3/4" x 4 3/4"
.10	3	4745C26188	hinge (spring loaded)	.15		4758D6101	drawer assy. 3896
.10	4	4755A2681	door pull w/screws	.50	11	4754C8211	cabinet front 3896
.75	5	4756D4671	cabinet frt. 3858,81,89	.30	12	4754D1841	cabinet side 3896

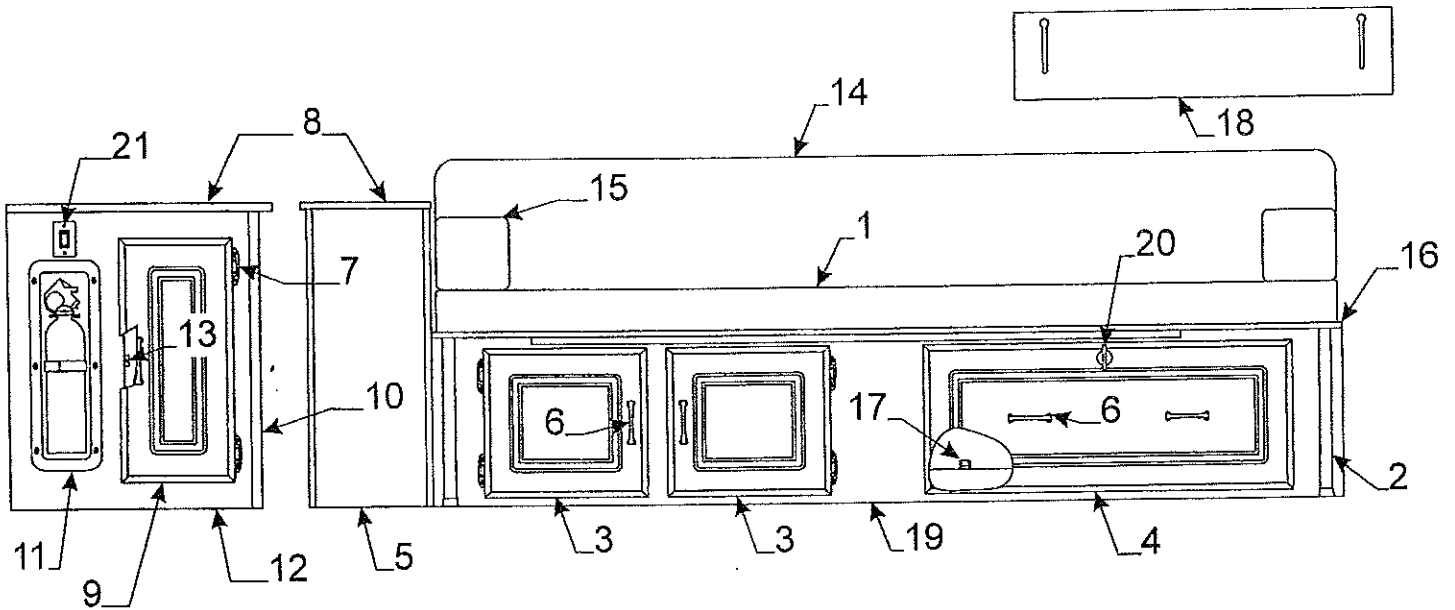


**Cassette Potty - Warranty & Repair Parts Call:
Theftord - Phone # 1-800/354-4135**

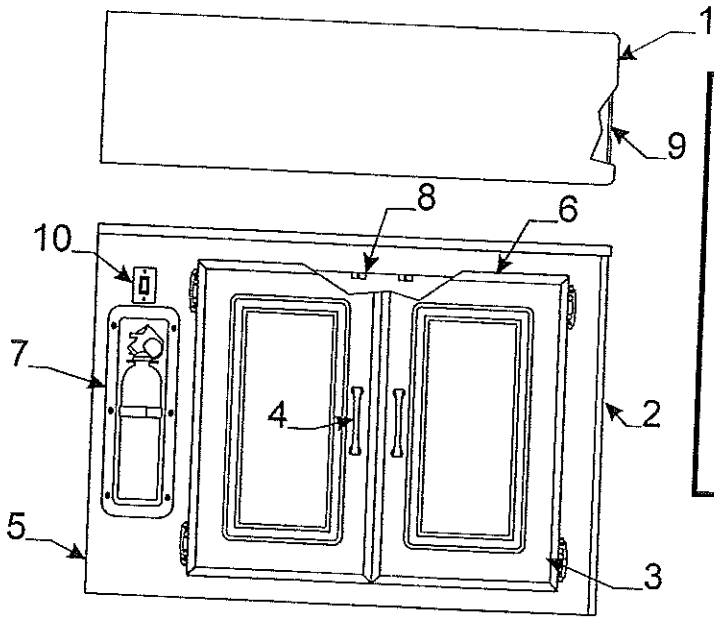
Flat Rate	Code	Part #	Description	Flat Rate	Code	Part #	Description
.25	1	4758-3931	cabinet top (all)	.20	7	4750-3921	lid hinge x2
.30		4060450003P	t-molding pkg. (12' pc.)	.10	8	4750D3891	wood filler
.35	2	4716B1421	5/32" f-channel 24" pc.	.15	9	4750C3911	wood lid support rt./lt.
.40	3	4751D9961	cabinet side (all)	.15	10	4755C6911	flip-up lid prop (metal)
.15	4	4756A8941	door panel 14" x 18 1/2"	.10	11	4755A2681	door pull w/screws
.75	5	4746C2461	cassette potty (all)	.05	12	4744D4601	5/8" headed rivet M25
.25	6	4754D4541	flip-up lid				
.30		4060450003P	t-molding pkg. (12' pc.)				



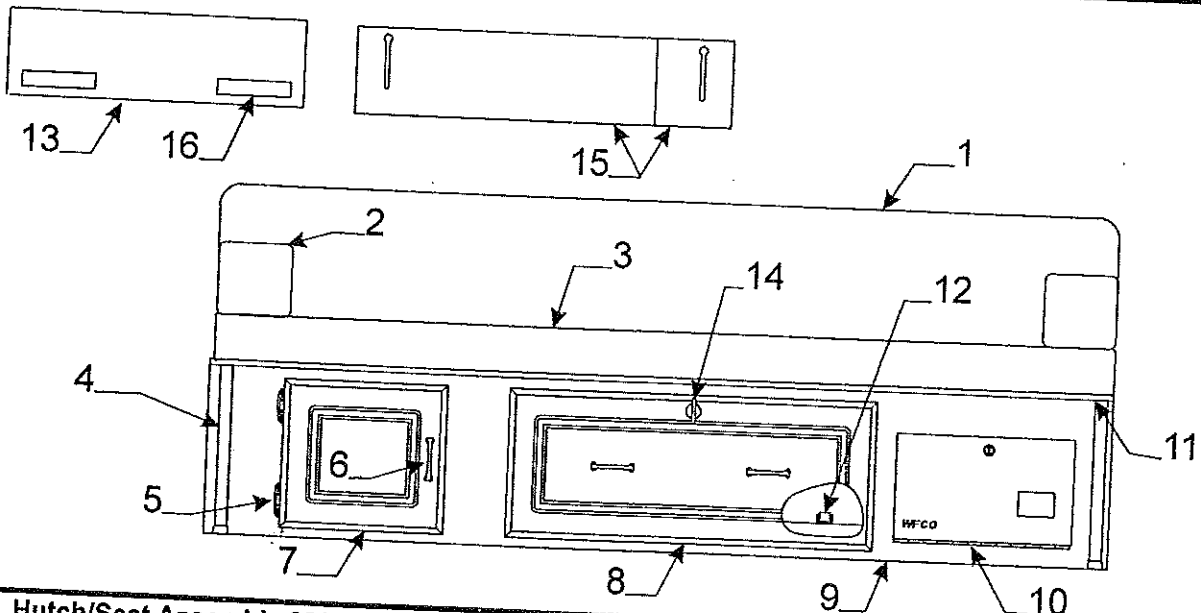
Flat Rate	Code	Part #	Description	Flat Rate	Code	Part #	Description
.75	1	4759A1621	hutch top	.15	9	4757-4581	door panel 8 3/4" x 18 1/2"
.30		4060462508P	t-molding pkg. (9' pc.)	.10	10	4755A2681	door pull (includes screws)
.20	2	4752-2361	15 amp receptacle	.10	11	4745C26188	hinge (spring loaded)
.10	3	4737A5558	fire extinguisher	.15	12	4757A8261	door/drawer frt. 30 1/4" x 9 1/4"
.05	4	4716-1191	fire extinguisher strap m2	.15	12A	4754F5291	drawer assy.
.15	5	4737B4198	recessed mount				Note: refer to page 27 drawer components
		4738-3088	screw x6	1.25	13	4754F0551	hutch front "large"
.55	6	4754D0521	hutch side	1.00	14	4754C054	3/8" h-channel
.65	7	4716D0151	3/8" f-channel 24" pc.	.10	15	4757-8911	drawer roller guide m2
.50	8	4754E0491	hutch front "small"	.15	16	4757A9081	brass thumb turn lock



Flat Rate	Code	Part #	Description	Flat Rate	Code	Part #	Description
.10	1	4758D6191	cushion assy.	.15	9	4757-4581	door panel 8 3/4" x 18 1/2"
.25		4714D6191	cushion cover	.65	10	4716D0151	3/8" f-channel (24" pc.)
.25	2	4758A6151	cushion leg x2	.50	11	Note: refer to page 21 fire extinguisher	
		4756B1591	rivet m25	.15	12	4754K1621	cabinet side 3896, 3881
.05		4752-0551	plastic cap m2	.15	13	4733-6391	latch & strike pkg.
.15	3	4757-4621	door panel 13 3/8" x 12 1/4"	.10	14	4758D6201	backrest assy. (all)
.15	4	4757A8501	drawer frt. 30 1/4" x 9 1/4"	.25		4714D6201	backrest cover
.15		4759A6321	drawer assy.	.10	15	4758D6211	arm rest (all)
		Note: refer to page 27 for drawer components		.25		4714D6211	arm rest cover
1.25	5	4754K1651	hutch front 3881		16	4755G5561	pull-out platform w/legs
1.25		4757C3001	hutch front 3896			4754B2881	cushion stiffener angle
.10	6	4755A2681	door pull (includes screws)	.10	17	4757-8911	drawer roller guide M2
.10	7	4745C26188	hinge (spring loaded)	.40	18	4752B0341	bench top w/slots
.25	8	4754E1631	cabinet top 3896	1.00	19	4756E8251	bench frt. 3881
.25		4756G8241	cabinet top 3881	1.00		4754J1641	bench frt. 3896
.30		4060475001P	t-molding pkg. (14' pc.)	.15	20	4757A9081	brass thumb turn lock
				.20	21	4733C4981	rocker switch m4

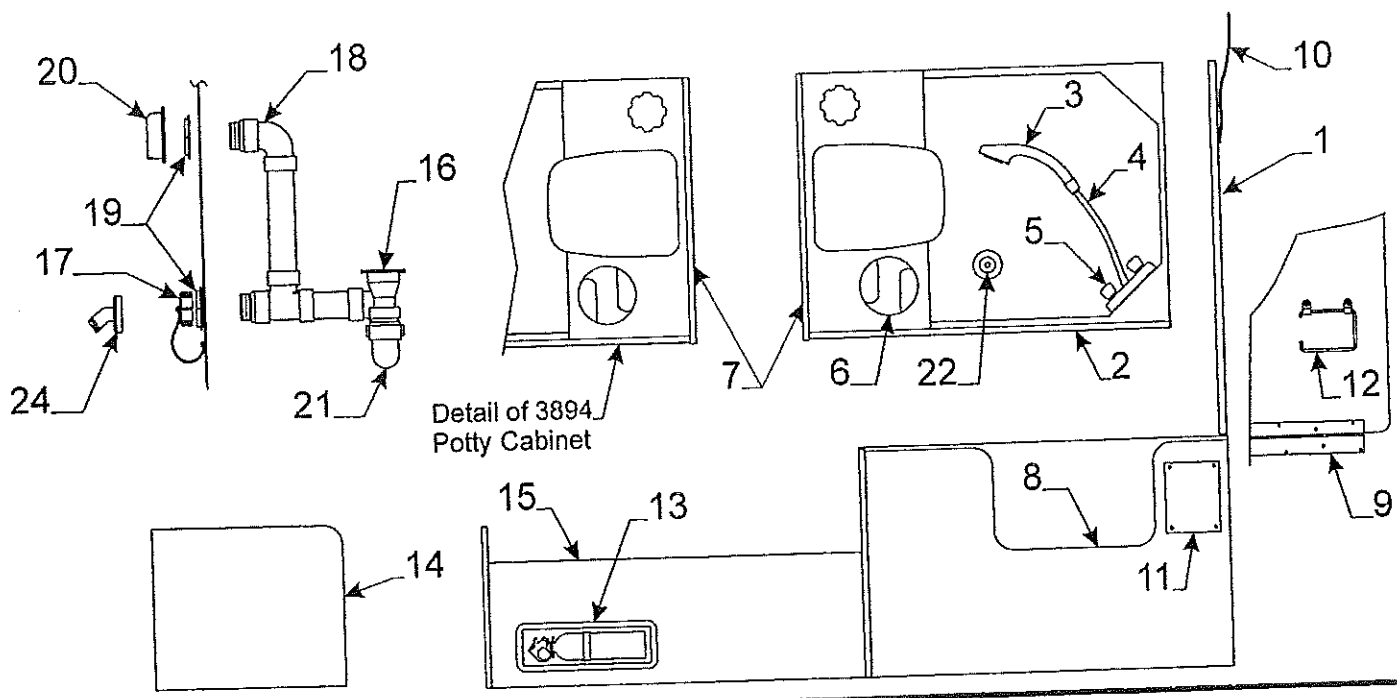


Doorway Hutch Assembly- 3851, 3894			
Flat Rate	Code	Part #	Description
.25	1	4756F4311	cabinet top
.30		4060475002P	t-molding pkg. (9' pc.)
.35	2	4716D0151	3/8" f-channel 24" pc.
.10	3	4745C26188	hinge (spring loaded)
.10	4	4755A2681	door pull (includes screws)
.30	5	4759-1181	cabinet side
.15	6	4756A8941	door assy. 18 1/2" x 14" (all)
	7		Note: refer to page 21 for fire extinguisher
.15	8	4733-6391	latch & strike pkg.
.30	9	4755E4571	cabinet front
.20	10	4733C4981	rocker switch (step light)

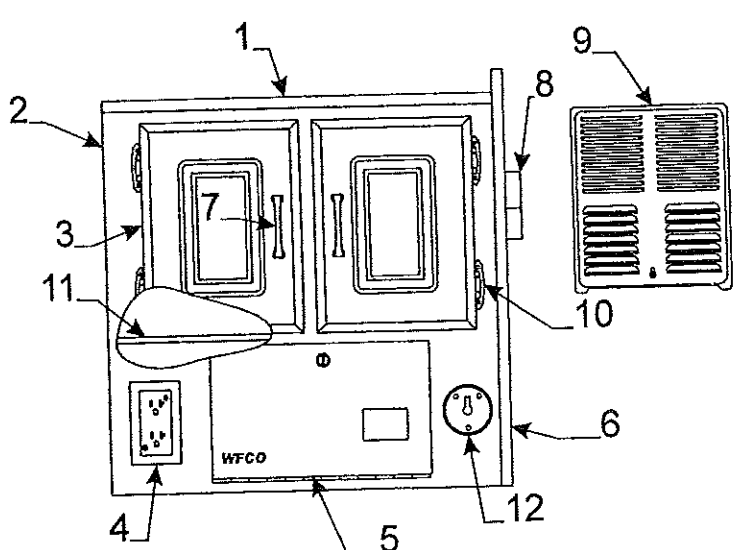


Hutch/Seat Assembly 3894, 3878							
Flat Rate	Code	Part #	Description	Flat Rate	Code	Part #	Description
	1		see page 37 for this item		9	4757F2211	hutch front 3894
	2		see page 37 for this item	1.25		4757E0201	hutch front 3878
	3		see page 37 for this item	1.25	10	4753C8201	converter 25 amp
.25	4	4758A6151	cushion leg x2	.25	11	4755H5561	platform w/legs 3894
.05		4752-0551	plastic cap m2	.10	12	4757-8911	drawer roller M2
.10	5	4745C26188	hinge (spring loaded)	.40	13	4757-84061	bench top 3/8" wood 3878
.10	6	4755A2681	door pull (includes screws)	.15	14	4757A9081	brass thumb turn lock
.15	7	4757-4621	dr. pnl 13 3/8" x 12 1/4" 3894	.40	15	4757-8661	rt. bench top w/slot 3894
.15		4756A8971	door pnl 18" x 12 1/4" 3878	.20		4757-8651	lt. bench top w/slot 3894
.15	8	4757A8501	drawer frt. 3894		16	4753A8551	2" velcro x2
.15		4759A6321	drawer assy. 3894				
.15		4757A8501	drawer frt. 3878				
.15		4753J5451	drawer assy. 3878				

Note: refer to page 27 for drawer components

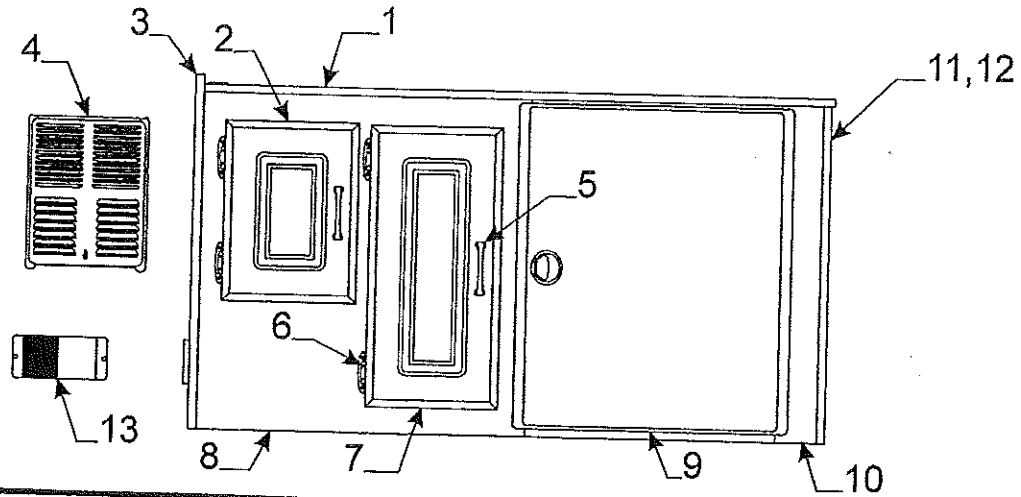


Shower Stall Components 3895, 3894				Flat Rate	Code	Part #	Description
.40	1	4757B6841	shower cover board 3895	.15	10	4757-6701	hold-up strap 3895
.40		4757C6711	shower cover board 3894	.15		4769-6721	hold-up trap 3894
.30		4060450003P	1/2" t-molding pkg. (12' pc.)	.25	11	4757A2171	shower hose cover
1.50	2	4769-5061	shower pan & cabinet 3894	.15	12	4756-9121	TP holder
1.50		4757C6721	shower pan & cabinet 3895			4747-2531	1/4" nylon clamp m2
.15	3	4746A3761	shower head w/bracket		13	Note: refer to page 21 for fire extinguisher	
.20	4	4741B2051	shower hose (72" length)	.30	14	4756C4921	seat end 3895
.50	5	4741B2071	shower diverter	.30		4060400091P	t-molding pkg. (12' pc.)
.10		4716-0848	shower hose connector	.15	15	4756E4901	seat front 3895
.75	6	4756-2251	cassette potty 3894		16	4757-8561	drain plug adapter
.75		4746C2461	cassette potty 3895	.10	17	4714A2861	cap & strap
.75	7	4754C3861	shower wall (all)	1.00	18	4741B9301	vent system
.30		4060400091P	1/2" t-molding pkg. (12' pc.)	.50	19	4757-0921	metal nut "white"
1.50	8	4756C4621	shower threshold 3895	.20	20	4757-9261	vent cover "plastic"
1.50		4759-1271	shower threshold 3894	.40	21	4752-3621	p-trap w/union joint
.30		4060300083P	t-molding (threshold) (12' pc.)	.50	22	4746A1821	basket & strainer
.25	9	4756-4441	shower board hinge		23	4741D6361	tub package.
					24	4737-9138	drain adapter

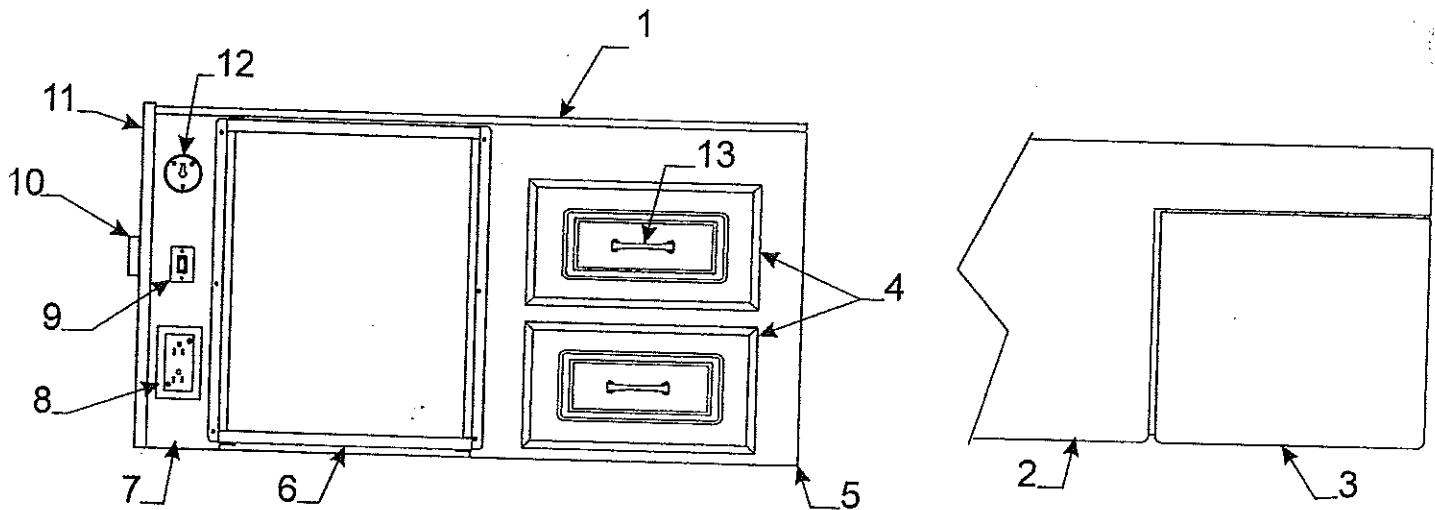


RSR Corner Cabinet Assy. 3878, 81, 95, 57				Flat Rate	Code	Part #	Description
.25	1	4756J0081	cabinet top (all)	.30		4060462507P	t-molding (14' pc. Pkg.)
.75	2	4756F0071	cabinet front (all)	.15	3	4756A8961	door panel 12" x 9"
.20	4	4752-2371	20 amp receptacle 3878,81,57	.20		4755-8321	20 amp GFI recept. 3895
1.00	5	4753C8201	converter 25 Amp (all)	1.00	6	4756B0011	gazoodi (all)
.30		4060400091P	t-molding pkg. (14' pc.)	.10	7	4755A2681	door pull w/screws
*	8	4755B8201	nylon block x2	.10	9	4743-3551	furnace grill
.10	10	4745C26188	hinge (spring loaded)	.20	11	4755B3581	converter cover shelf x2
.25	12	4757A4871	coax outlet				

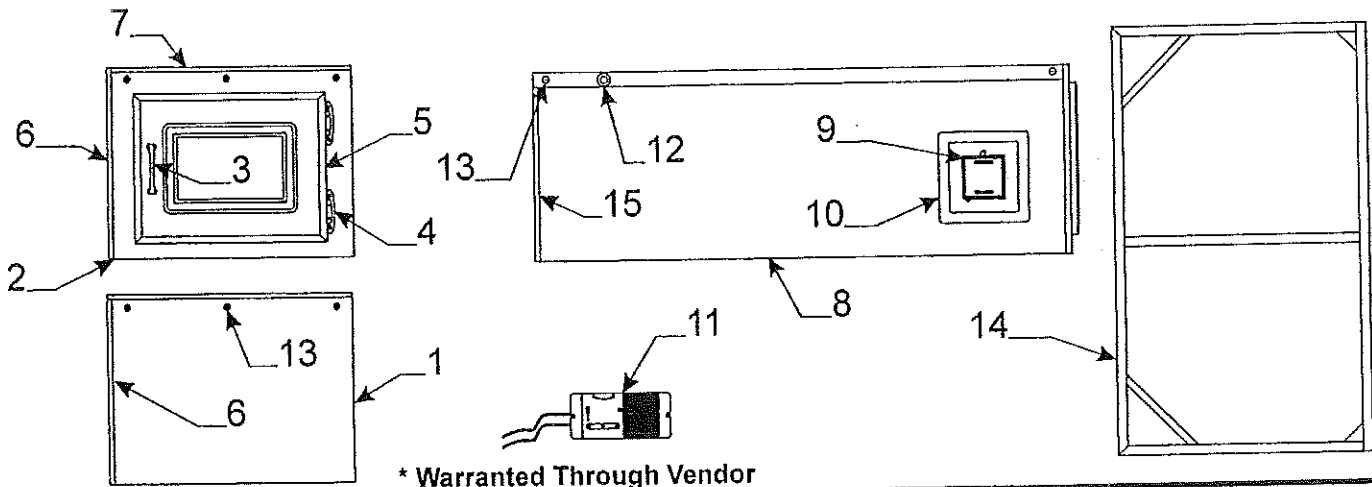
* Prior Authorization from factory needed.



Flat Rate	Code	Part #	Description	Flat Rate	Code	Part #	Description
1.50	1	4756F4301	hutch top	.10	6	4745C26188	hinge (spring loaded)
.30		4060462508P	t-molding pkg. (9' pc.)	.15	7	4757-4581	dr. pnl. 18 1/2" x 8 3/4"
.15	2	4756A8961	door pnl. 12" x 9 1/8"	1.50	8	*4756E4521	hutch front rt.
.75	3	4755C1181	gazoodi	.50	9	4754A0481	built-in cooler
.30		4060400091P	lipped t-molding pkg. (12' pc.)	.75	10	4752F4561	hutch front
.10	4	4743-3551	furnace grill	.65	11	4716D0151	f-channel 24" pc.
10	5	4755A2681	door pull w/screws	1.25	12	4752F4571	hutch side lt.
				.25	13	4753-9171	lp gas detector



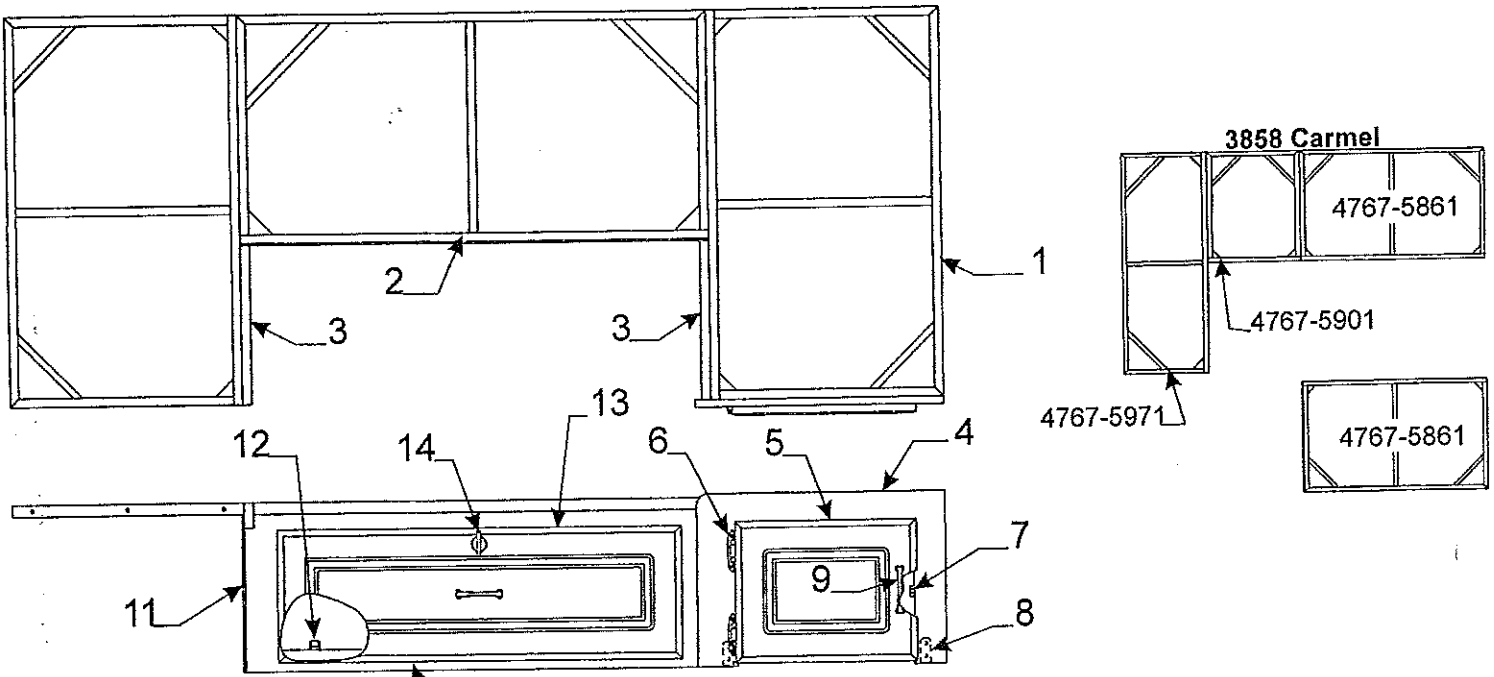
Flat Rate	Code	Part #	Description	Flat Rate	Code	Part #	Description
.25	1	4758A2741	hutch top 3857	.75	5	4758B2751	hutch frt. rt 3857
.30		4060475002P	t-molding (14' pc. Pkg.)	.75		4756E3811	hutch frt. rt. 3878
1.50	2	4756D3831	hutch top (affixed) 3878		6	Refer to your local Dometic distributor	
.30		4060475002P	t-molding pkg. (14' pc.)	.75	7	4756F3821	hutch front lt. 3857, 78
.50	3	4757D0181	hutch top (lift-up) 3878	.20	8	4752-2361	15 amp receptacle
.30		4060475002P	t-molding pkg. (14' pc.)	.20	9	4733C4981	rocker switch (water pump)
.40		4757A019	lid hinge	1.00	10	4755B8201	nylon block x2
.15	4	4768-5961	drawer assy. 3857	.25	11	4756B0011	gazoodi
Note: Refer to page 27 for drawer component parts				.25	12	4757A4871	coax outlet
				.10	13	4755A2681	door pull w/screws



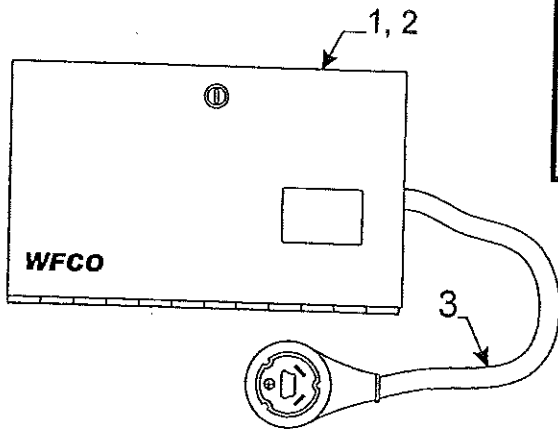
* Warranted Through Vendor

Flat Rate	Code	Part #	Description	Flat Rate	Code	Part #	Description
.30	1	4755B8161	seat end frt. 3858,89,96	.20	10	4747-8391	plastic base & bracket
.30	2	4755C1061	seat end (both benches) 3851, 94	.25	11	4753-9171	lp gas detector
.30		4754D0371	seat end (glide-out benches)		12	4724-2608	stop button
.10	3	4755A2681	door pull w/screws			1203-8651	rivet m25
.10	4	4745C26188	hinge (spring loaded)		13	4734E1861	rivet m25
.15	5	4756A8921	door panel (glide-out benches)			1202B0268	washer
.65	6	4716B1421	5/32" f-channel 24" pc.		14	4759-6021	bench frame x2 3881,95,78
.50	7	4060015603P	5/32" u-channel 48" pc.			4767-5861	bench frame x2 3889,96
.50	8	4716B2721	bench panel 14 1/2" x 48"			4759-5961	bench frame x2 3894
*	9	4752A8461	thermostat		15	4716C1321	corner molding 48" pc. m2

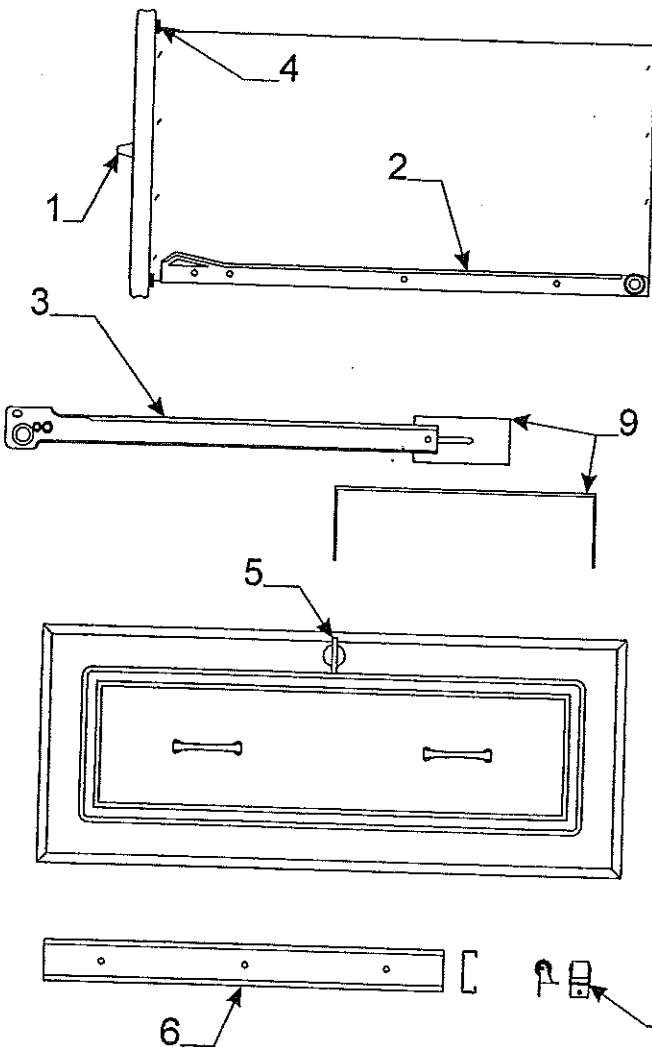
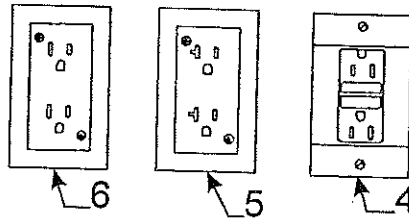
Flat Rate	Code	Part #	Description	Flat Rate	Code	Part #	Description
1.25	1	4759-5911	side bench frame 3851	.10	8	4734A3851	l-bracket
1.25	2	4759-5921	cntr bench frame 3851	.10	9	4755A2681	door pull w/screws
.15	3	4754B3361	cushion rest "wood"	1.25	10	4756C9021	bench front 3851
.30	4	4754B3451	seat end 3851	.50	11	4716B2721	side bench front "wood"
.30		4060400091P	lipped t-molding 12' pc. Pkg.	.10	12	4757-8911	drawer roller guide
.15	5	4756A8921	door panel 12 1/4" x 16"	.15	13	4759A6321	drawer assy. 3851
.10	6	4745C26188	hinge (spring loaded)	.15		4757A8501	drawer panel 9 1/4" x 30 1/4"
.15	7	4733-6391	latch & strike pkg.	.15	14	4757A9081	brass thumb turn lock



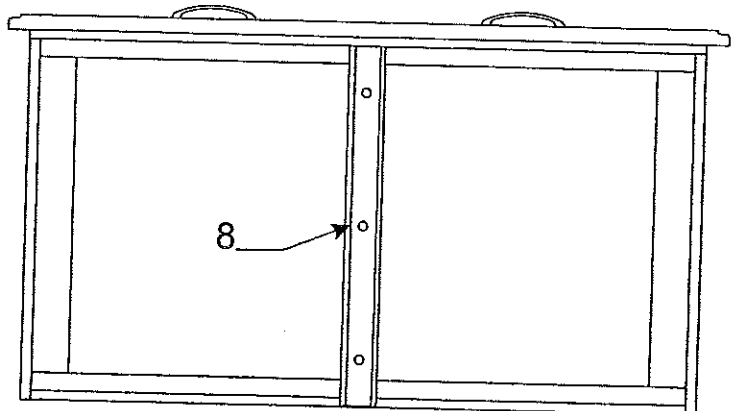
WORLD FRIENDSHIP CO., LTD
 Warranty: 800-900-2468

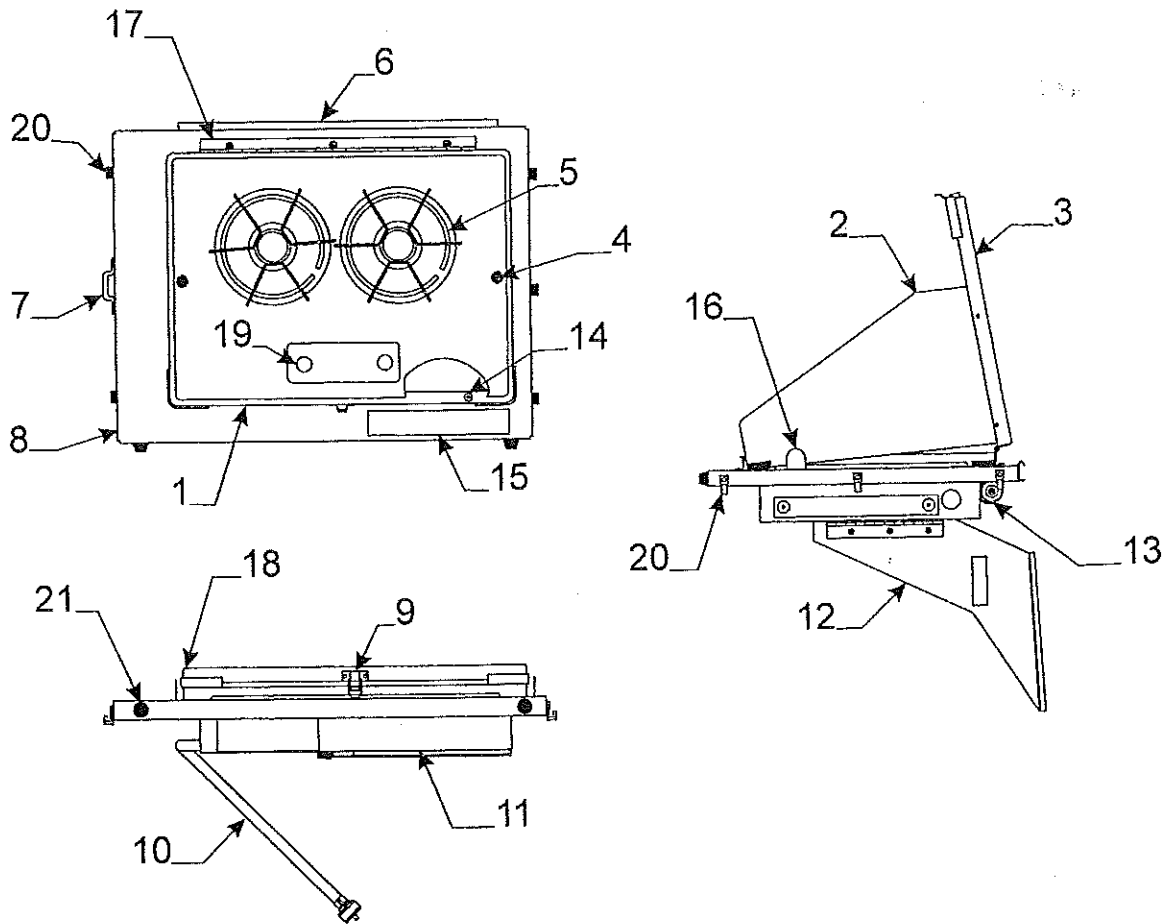


Flat Rate	Code	Part #	Description
1.00	1	4753C8201	converter 25 amp WFCO
.15	2	4716B1301	hinged converter face cover (metal)
.60	3	4744A3101	power cord 31 ft.
.35	4	4746B3841	15 amp GFI receptacle w/cover (wht.)
.35		4755-8321	20 amp GFI receptacle w/cover (wht.)
.20	5	4752-2371	20 amp receptacle w/cover (wht.)
.20	6	4752-2361	15 amp receptacle w/cover (wht.)
	7	4746A3851	receptacle box



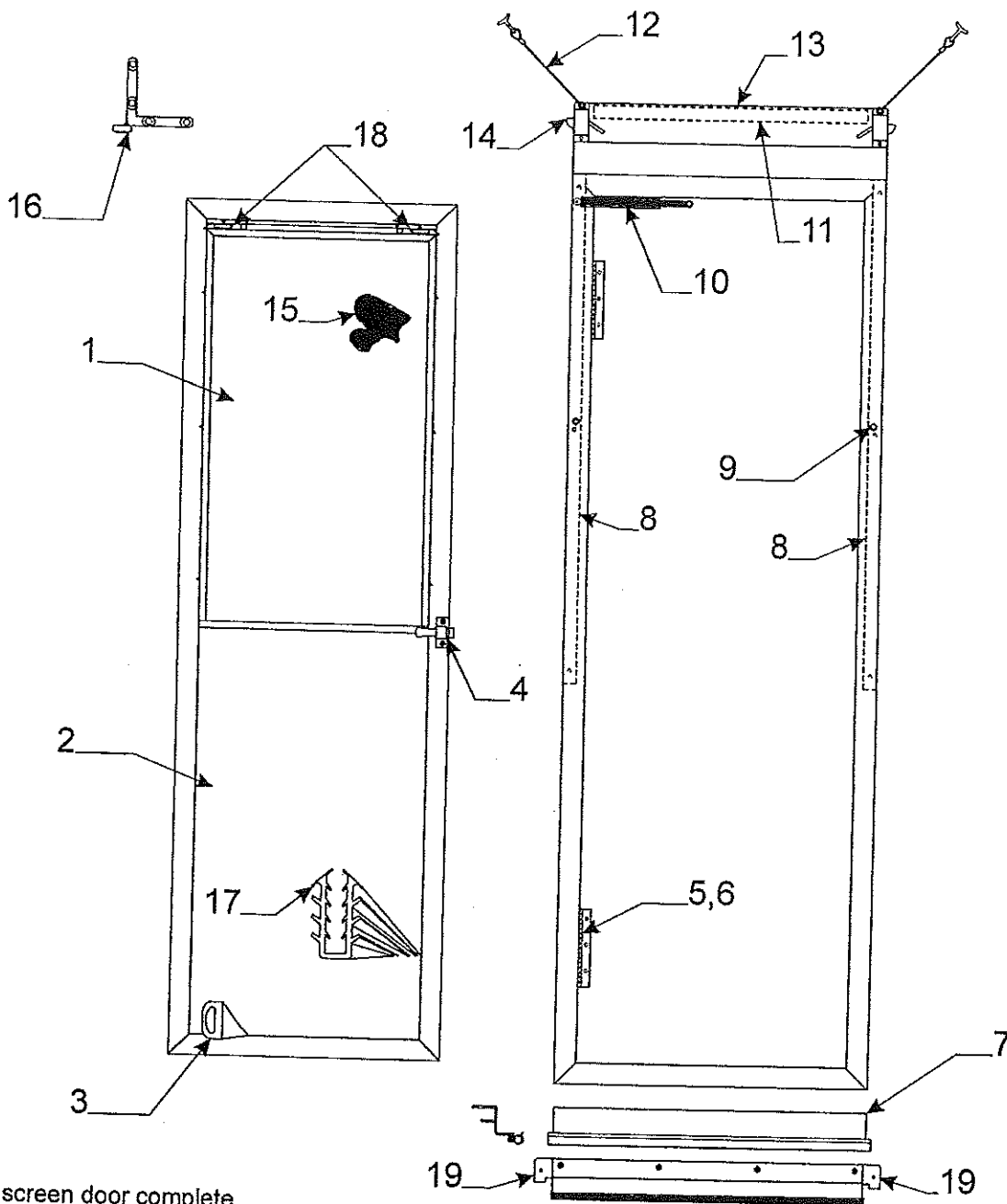
Flat Rate	Code	Part #	Description
.10	1	4755A2681	door pull w/screws
.50	2*	4716-8881	10" drawer guide pkg.
.50		4716-8831	14" drawer guide pkg.
.50		4716-8841	16" drawer guide pkg.
.50		4716-8861	20" drawer guide pkg.
.50	3	4716-8911	22" drawer guide/socket set
.15	4	4758-8401	adhesive bumper (132 per pkg.)
.15	5	4757A9081	brass thumb turn lock
.15	6	4757A9091	14" metal drawer guide
.15		4757-8891	17" metal drawer guide
.10	7	4757-8911	drawer roller m2
.25	8	4757-9101	14" pvc i-beam drawer guide
.50	9	4757-8901	17" pvc i-beam drawer guide
		4758-1011	14 1/2" drawer guide brkt.
		4758-1001	12 1/4" drawer guide brkt.
		4766-1281	8 1/8" drawer guide brkt.
		4766-1291	11" drawer guide brkt.
		4766-1301	19 7/8" drawer guide brkt.
		4766-1311	14" drawer guide brkt.





Vinyl Storage Pouch "gray" - 4752-6601

Flat Rate	Code	Part #	Description
	Outside HP Stove Components (all)		
.15	1	4746B9491	porcelain cook top "white"
.25	2	4716-2661	stove fin "right"
.25		4716-2651	stove fin "left"
.15	3	4749F6601	stove cover "white"
.05	4	4716-2631	stove top screw/washer m2
.05	5	4752A9881	grate x2
.35	6	4754-0471	stove hanger brkt.
.20	7	4733B4511	steel loop m2
.60	8	4758B1971	metal counter top
.15	9	4733-4018	latch
.15		4733-4028	latch strike
.25	10	4746A9891	gas hose
.75	11	4746C9481	stove box
.25	12	4746B9221	outside stove flap
.15	13	4734-2431	gripper clip m4
	14	4716-4591	screw & weld pin m4
	15	4742-9538	h.p. decal
.15	16	4716-2641	fin stay brkt. m2
.10	17	4716-2671	stove cover hinge
	18	4732A2291	edge molding m2
	19	4716-2681	h.p. stove knob m2
	20	4720D4021	lashing hook m6
	21	4758-1961	rubber bumper m2

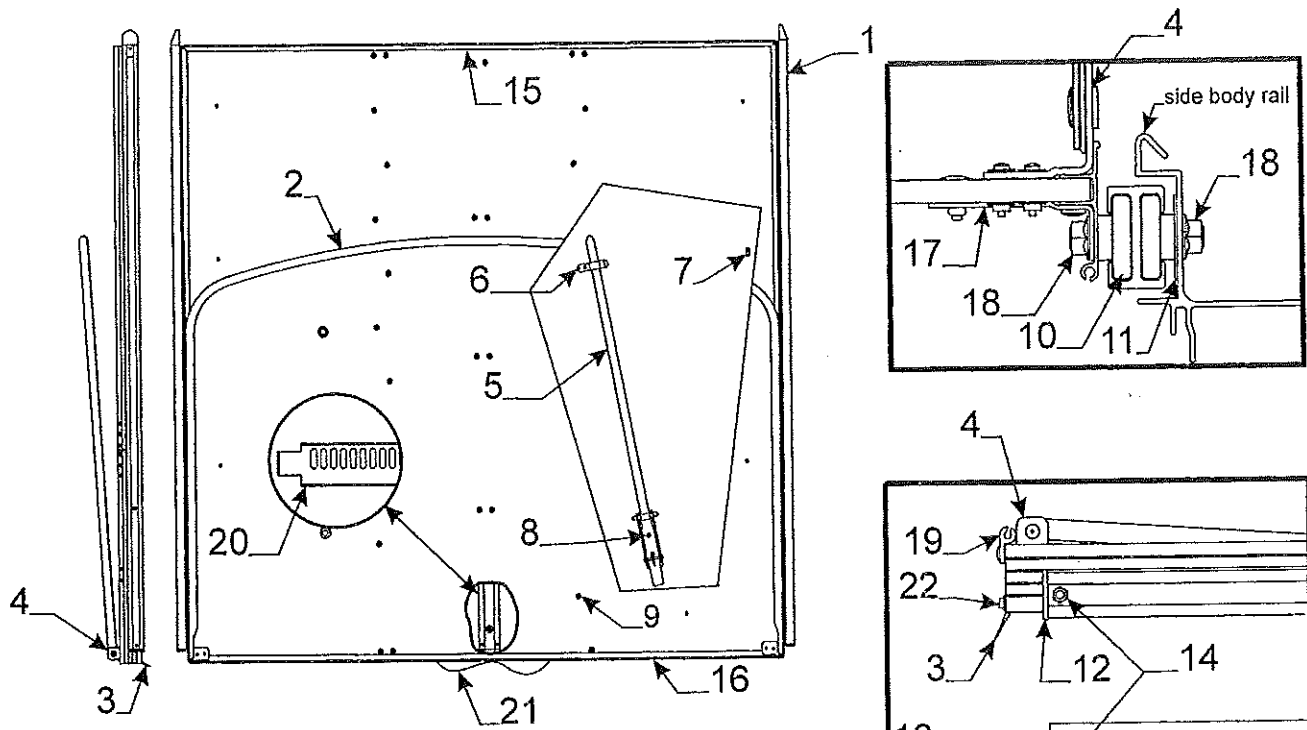


.30 flat rate screen door complete

4747N53781 Screen Door Assy. (All) Painted Arctic White

Flat Rate	Code	Part #	Description	Flat Rate	Code	Part #	Description
.10	1	4716D3401	top sliding window pane	.25	14	4741-8658	sash lock x2
.40	2	4754B1541	stationary window pane			4747A9231	rivet m25
.15	3	4750-3591	rubber seal (18" lengths)			1202B2698	washer
.15	4	*4742-9671	door latch assembly			4733-3398	plastic spacer
.15	5	4720C3601	hinge "unpainted" x2			4733D0601	rivet m25
.25	6	4733D0601	rivet m25	.10	15	4716-1381	screened stationary pane
.25	7	*4747B2011	screen door support	.75		4716-1111	screening 36" x 18 1/2"
		*4060000399F	rubber seal (sold/foot)	.50	16	4710A3791	corner brace hinge m2
.20	8	4754-3811	vel-stick & hardware x2		17	4060000086F	rubber seal (sold/foot)
.05	9	4730A3548	stud w/screw x2				Note: around perimeter of window pane
.20	10	4731A8201	spring pkg.	.20	18	4716-3811	window lock pkg. rt./lt.
.50	11	4060000400F	d-seal (sold/foot)				Note: pkg. includes rt./lt lock, springs & rivets
.15	12	4734F5211	cable assembly m2 (all)		19	4758A1741	threshold caps & screws
.50	13	4753A4501	top bracket				

Note: parts marked w/ asterisk are excluded from screen door



Flat Rate .75 Bed assy. replacement

- 3858,89 4759C5841 Front Bed Assy. "Complete" (king)
- 3858,81,96 4759C5861 Rear Bed Assy. "Complete" (regular)
- 3851,81,94,78,95,96 4759C5831 Front Bed Assy. "Complete" (king)
- 3851,81,94,78,95 4759C5821 Rear Bed Assy. "Complete" (king)
- 3857 Monterey 4767A6181 Front Bed Assy. "Complete" (king)
- 3857 Monterey 4767A6191 Rear Bed Assy. "Complete" (king)

* .50 First Bed Extension
 * .25 Second Bed Extension

Flat Rate	Front/Rear Bed Assy. Components	Flat Rate	Code	Part #	Description
*	1 4716U4031 bed extension (x2 per bed)	.50	9	1203C8721	rivet m25
	Note: must cut to size if needed for regular bed assy.				
.25	2 4714C1901 tent bow/leg package		10	4754-8101	bed roller, nut, bolt, & washer pkg.
.25	3 4060300339P vinyl bed seal (8' pc. pkg.)	.15	11	1202B2908	washer
.15	4 4720K5631 bed bow bracket m2	.15	12	4754-8631	bed slide end cap
	4757-9241 1 1/2" plastic fender washer m2	.20	13	4754-4821	bed slide wedge
	1203C8721 steel rivet m25 (affix bow to brkt.)		14	1034B16128	flat head screw
	1016B10148 machine screw x2 per brkt.	1.50	15	1201B6378	lock nut
	1201B6958 wiznut x2 per brkt.	1.50	16	4758-2631	inside bed frame (king bed)
.30	5 4759A5881 bed leg assy. (x2 rear "reg." beds)	1.50	17	4758A898	inside bed frame 3857 Monterey
.30	4759A5871 bed leg assy. (x2 rear "king" beds)	1.50	18	4720G1181	inside bed frame (regular bed)
.30	4759A5891 bed leg assy. (x2 front 3858,89)	1.50	19	4758A856	outside bed frame (king bed)
.30	4759A5901 bed leg assy. (x2 front "king" beds)	1.50	20	4758-2631	outside bed frame 3857 Monterey
	Note: Individual bed leg pieces NOT AVAILABLE				
.15	6 4757-4331 bed leg clip	.20	21	4758A857	outside bed frame (regular bed)
	1203-8831 rivet m25 (rivet clip to bed)	.50	17	4755A2591	bed brkt. w/hardware x4
.15	7 4720D4021 lashing hook m6	.75	18	4739-2298	lock nut
	1203-8741 rivet m25 (rivet hook to bed)	.20	19	4758-8301	bed end retainer track & rivets
.20	8 4714-4521 mounting screws (pkg. of 3 each)		20	4767-6501	drive channel assy. 3857
	Pkg. includes screws, washers, plastic caps and washers				
			21	4758-9481	pull-out handle strap & rivets
			22	4758-8001	rivet "black" m25
				4730A3548	stud w/screw

Flat Rate

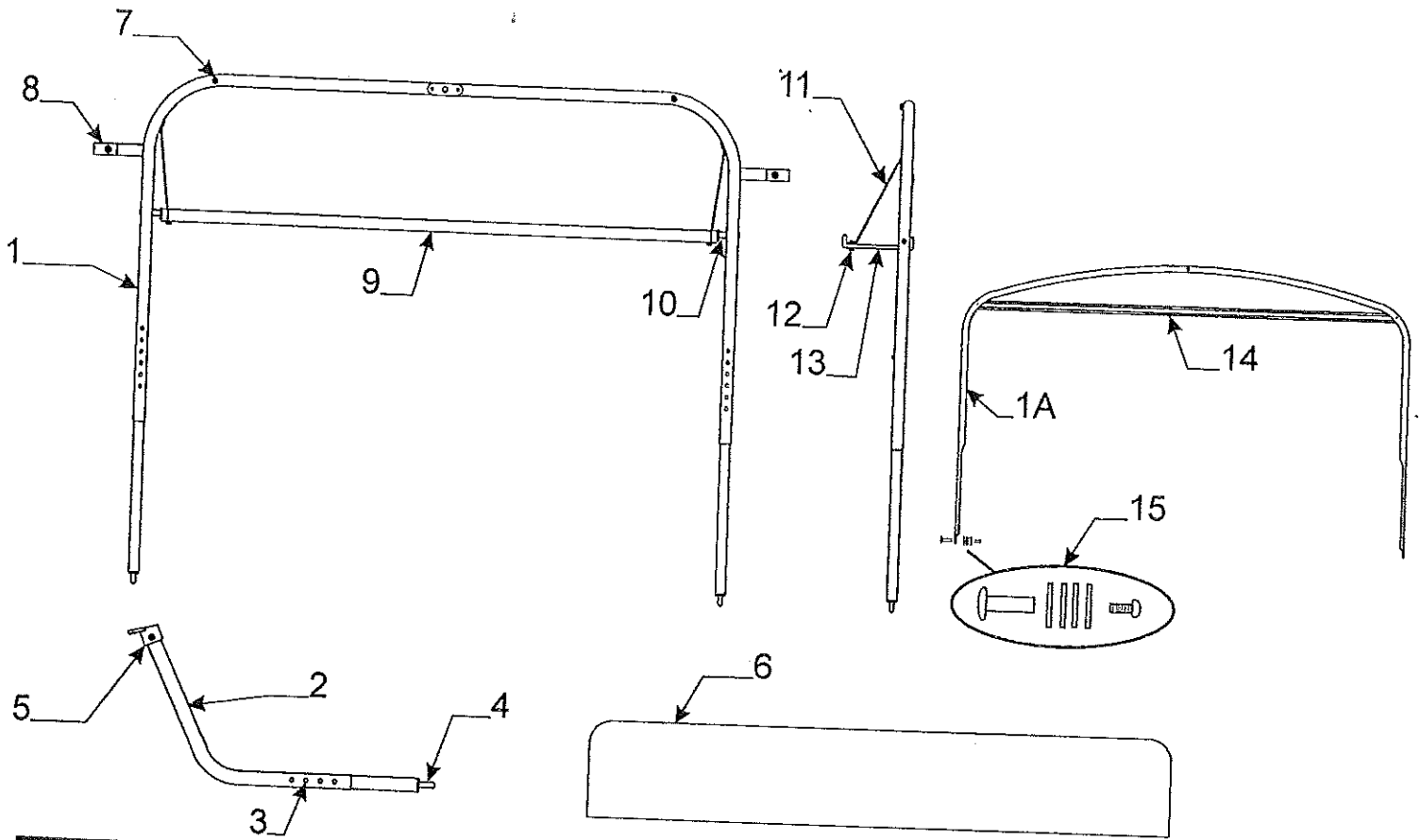
Mattress Assy. .10/Cover .50

Mattress Size

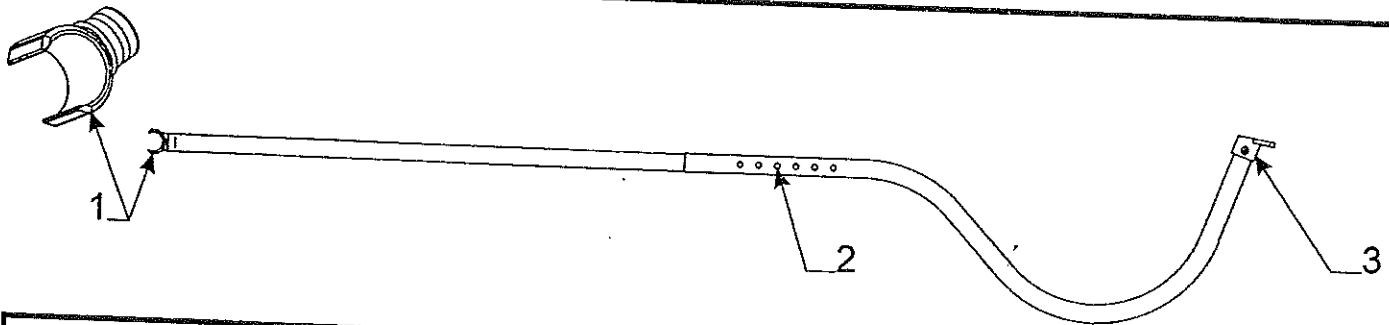
King Bed - 77" x 70" x 3 1/2" / Regular Bed - 77" x 48" x 3 1/2"

Mattress Assemblies & Covers

Model	Frnt. Matt. assy.	Frnt. Matt. Cover	Model	Rear Matt.	Rear Matt. Cover
All models	4754H5341	4716H5341	3858,89,96	4754H5331	4716H5331
			3851,81, 94,78,95,57	4754H5341	4716H5341

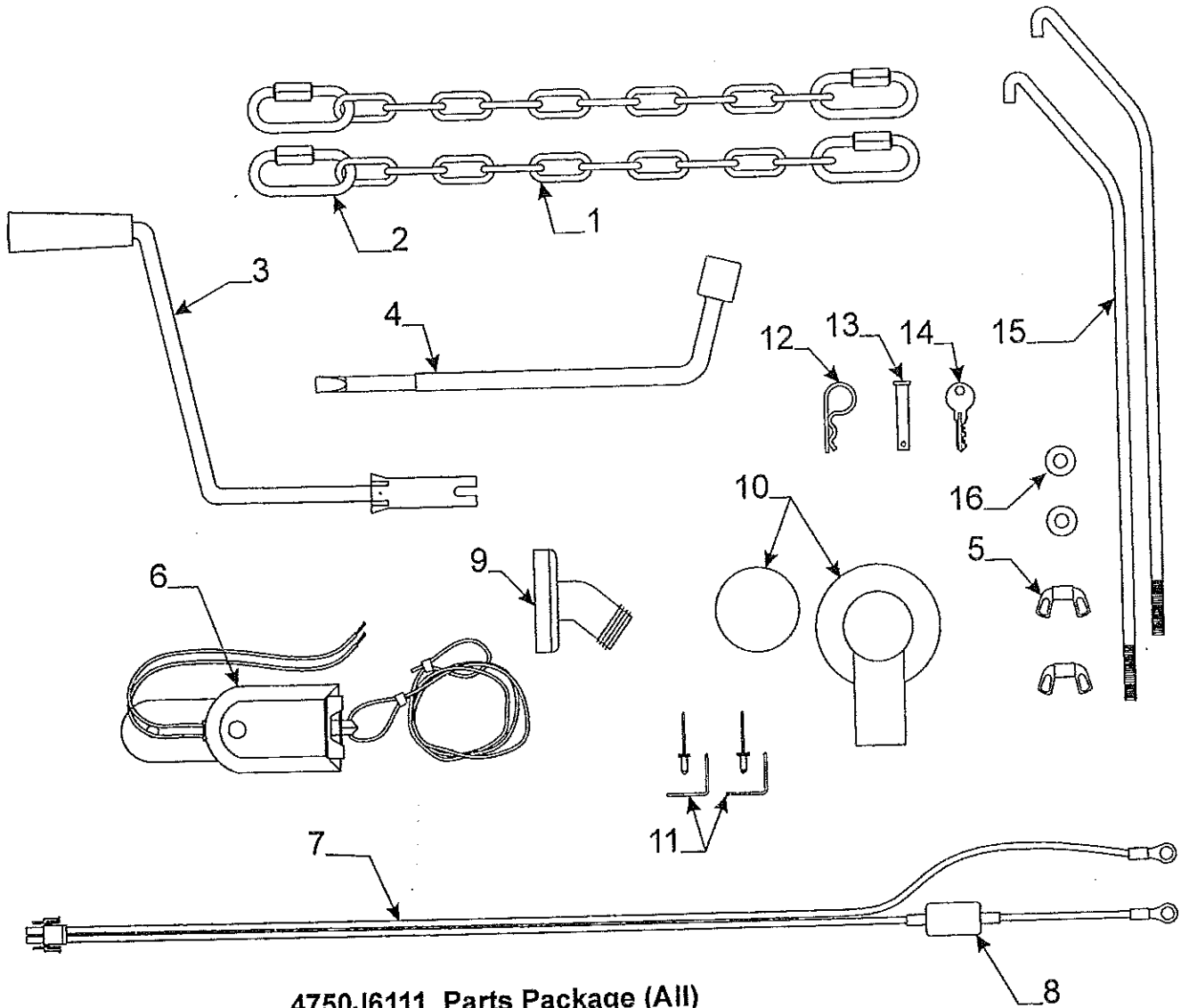


Flat Rate	Code	Part #	Description	Flat Rate	Code	Part #	Description
.10	1	4755C5611	tip-out tent bow assy. 3851,78,57				
.10	1A	4756C2071	glide-out tent bow 3878,81,95,57	.10	11	4759-8008	lock nut x2
.05	2	4754C6761	tip-out tent support 3851,78,57		12	4734G5211	cable assy. x2
.05		4756B6661	glide-out tent support 3878,81,95,57			1226D1381	snap stud x2
.10	3	4734-6708	snap spring			4754-0608	screw x2
.20	4	8470-1728	black pin m10			1202B2698	washer x2
.10	5	4757-1351	tent support tip w/screw			1201C6448	lock nut x2
.10	6	4755-0971	tip-out support board	.40	13	4757-0941	end cap x2
.05	7	4730A3548	stud w/screw x2		14	4757A8021	curtain track (Glide-outs only)
.05	8	4757-4941	strap x2			1203-8951	rivet m25
.30	9	4759B6121	shelf assy. w/mounting hardware		15	4716-4451	glide-out bow mounting hardware pkg.
.10	10	4751-3431	nylon spacer m4				
		4744E2468	screw x2				



Flat Rate	Code	Part #	Description
.20	1	4757-4301	tent support clasp m10
.10	2	4734-6708	spring assy.
.10	3	4757-1351	tent support tip w/screw

Tent Support Assemblies (Complete)		
Flat Rate .10 per Tent Support		
Model	Front Bed	Rear Bed
3858,89,96	4741L5581	4741H5591
3851,81,94,78,95	4741L5581	4741L5581
3857 Monterey	4768-6221	4768-6221



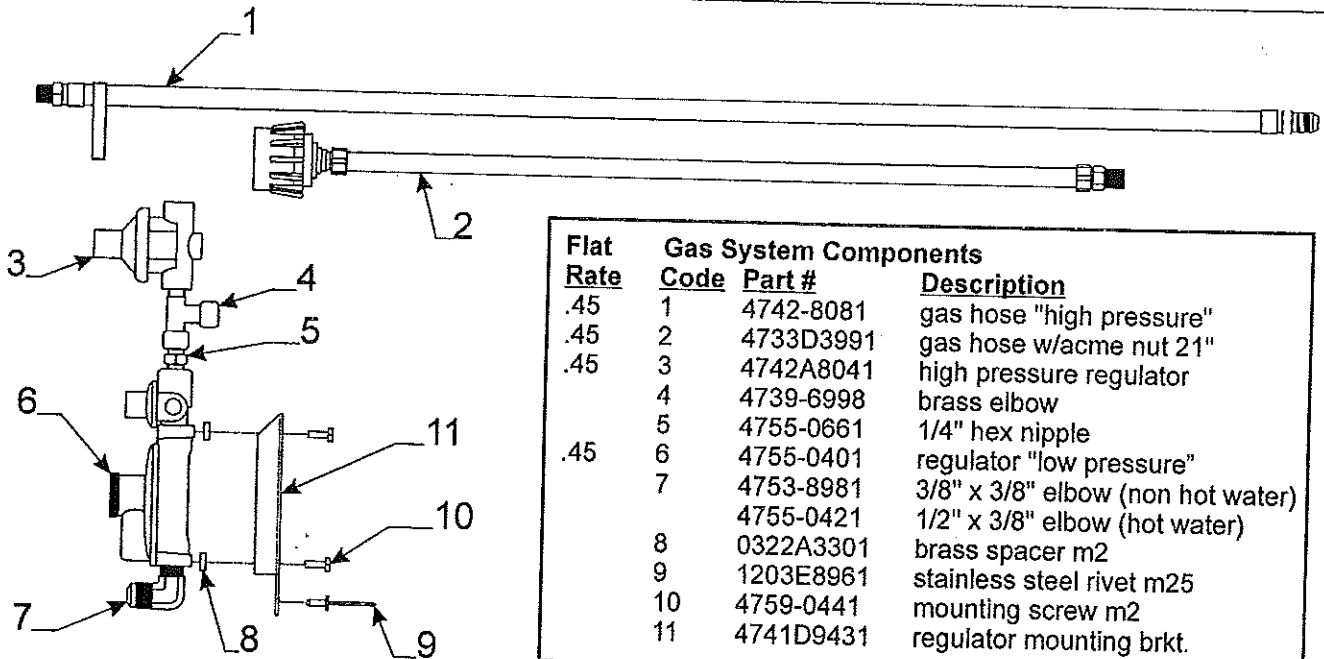
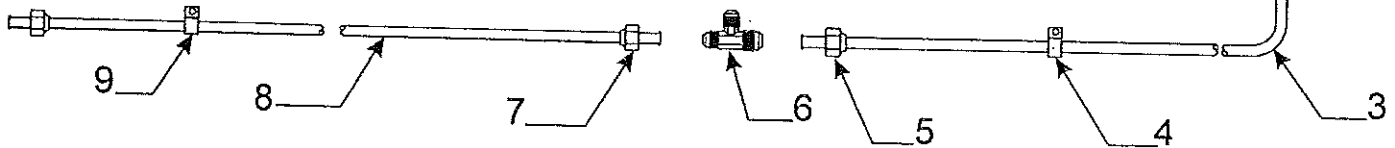
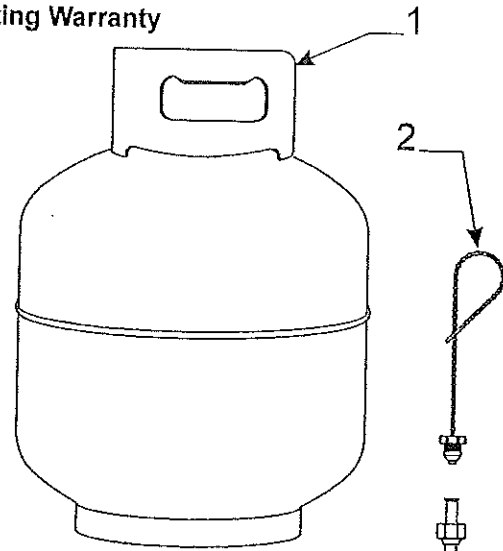
4750J6111 Parts Package (All)

Note: when ordering parts package for 3857 Monterey you will also need to order part # 4759-0081 40 Amp breaker

Flat Rate	Parts Code	Package Part #	Component Parts Description
	1	4757-3901	29" tow chain w/quick links m2
	2	4757-3891	quick link (sold/signally)
	3	4747G4141	crank handle
	4	4749A1861	lug nut wrench
	5	1201-6258	wing nut x2
	6	4746-0401	breakaway switch
	7	4749B5531	battery harness w/15 amp breaker
		4768-6291	battery harness w/40 amp breaker
	8	4751-4811	15 amp circuit breaker
		4759-0081	40 amp circuit breaker
	9	4737-9138	drain adapter
	10	4734C3781	regulator cover (long)
		4751-9571	round regulator cover
	11	4753E6781	battery angle pkg.
	12	4732A4791	safety pin m10
	13	4771-2631	hitch pin m5
	14	4730B3211	key m10 # 8025 (gold plated)
	15	4733G6281	gas bottle mounting brkt. pkg.
			Note: pkg. includes (2) wing nuts, washers
	16	1202B0468	washer x2 m10

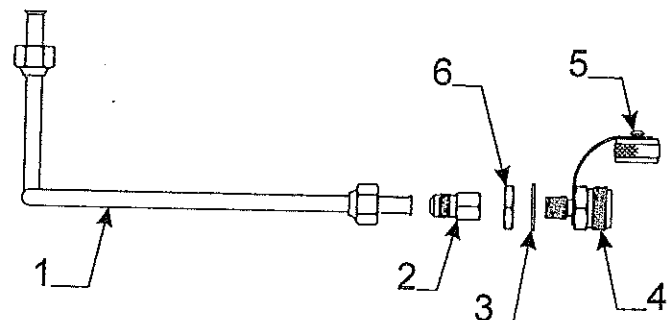
**** Serial Number Of Gas Bottle Must Be Supplied When Submitting Warranty**

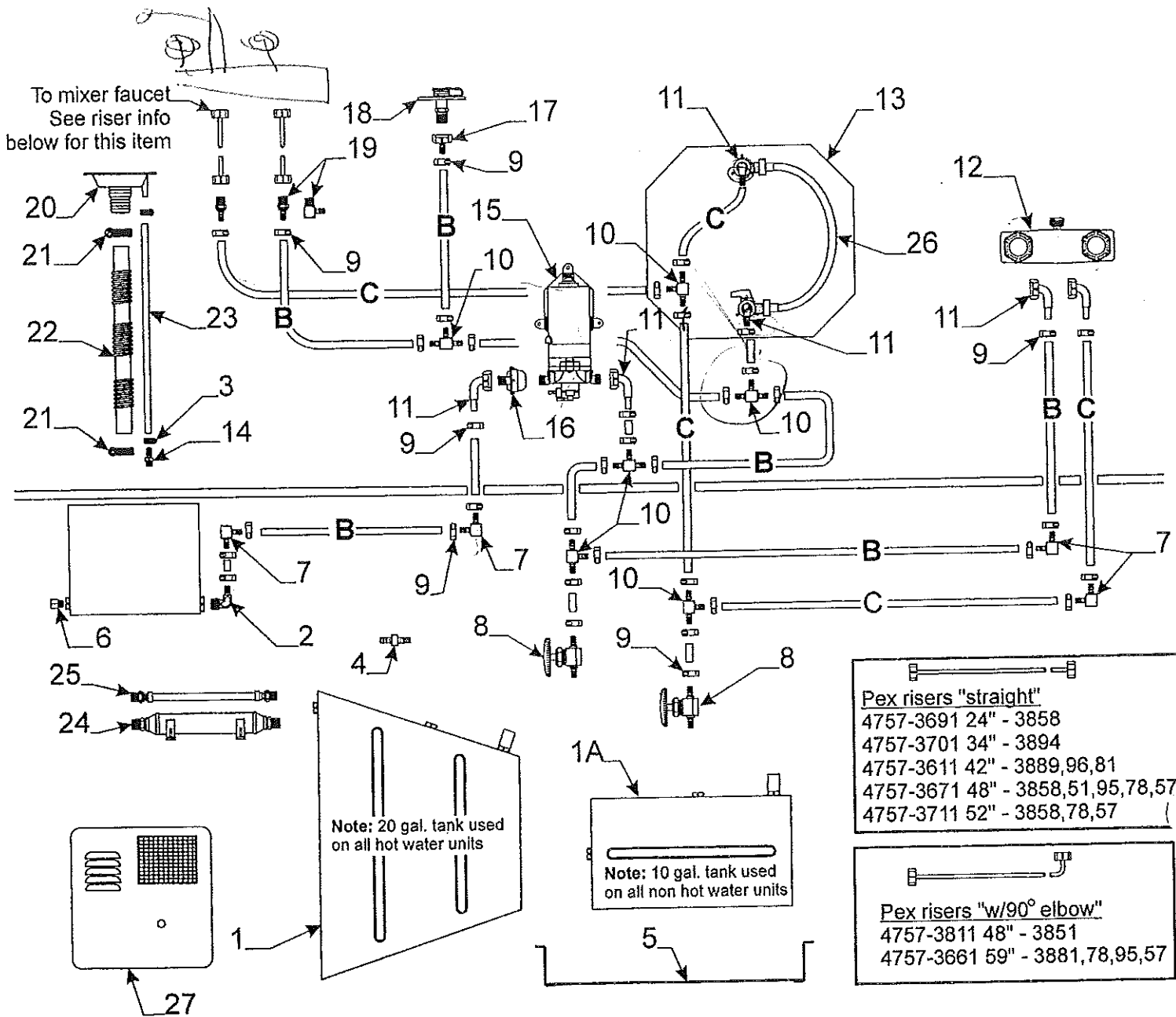
Flat Rate	Gas System & Related Parts
Code	Part # Description
.15**	1 4720J5928 gas bottle (arctic white)
	4724K6441 black vinyl bottle cover
	2 4737A838 1/2" plastic cap & strap
	4733A3888 3/8" plastic cap & strap
.50	3 1/2" copper gas line purchase locally
	4 1201-8738 1/2" clamp "rubber coated"
	5 1215-2438 1/2" flare nut
.50	6 1215-1781 brass tee - 1/2" x 3/8" x 3/8"
.50	7 1215-1771 brass tee - 3/8" x 3/8" x 3/8"
	8 1215-2418 3/8" flare nut
.50	9 3/8" copper gas line purchase locally
	1201-8708 3/8" clamp "rubber coated"

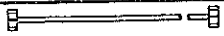



Flat Rate	Gas System Components
Code	Part # Description
.45	1 4742-8081 gas hose "high pressure"
.45	2 4733D3991 gas hose w/acme nut 21"
.45	3 4742A8041 high pressure regulator
	4 4739-6998 brass elbow
	5 4755-0661 1/4" hex nipple
.45	6 4755-0401 regulator "low pressure"
	7 4753-8981 3/8" x 3/8" elbow (non hot water)
	4755-0421 1/2" x 3/8" elbow (hot water)
	8 0322A3301 brass spacer m2
	9 1203E8961 stainless steel rivet m25
	10 4759-0441 mounting screw m2
	11 4741D9431 regulator mounting brkt.

Flat Rate	HP Outside Stove Hookup Components
Code	Part # Description
.50	1 3/8" copper gas line purchase locally
	1215-2418 3/8" flare nut
.40	2 4742-8061 brass coupling
	3 4757-8031 star lock washer x1
.40	4 4739-6978 brass cylinder adapter
.40	5 4742-8071 brass cap & strap
.40	6 4755-4791 brass nut






Pex risers "straight"
 4757-3691 24" - 3858
 4757-3701 34" - 3894
 4757-3611 42" - 3889,96,81
 4757-3671 48" - 3858,51,95,78,57
 4757-3711 52" - 3858,78,57


Pex risers "w/90° elbow"
 4757-3811 48" - 3851
 4757-3661 59" - 3881,78,95,57

B 4060050006P 3/8" I.D. Pex tubing "cold" (20' pc. pkg.)
C 4060050007P 3/8" I.D. Pex tubing "hot" (20' pc. pkg.)

4714-038 3/8" I.D. High pressure hose (sold/foot)

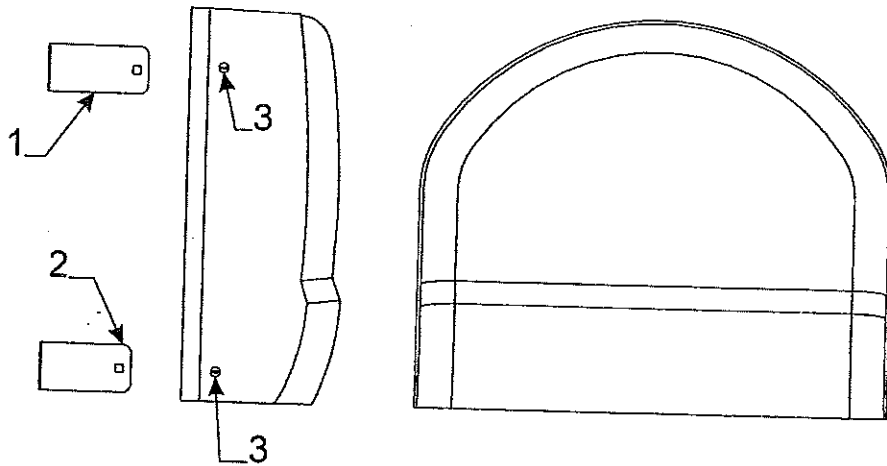
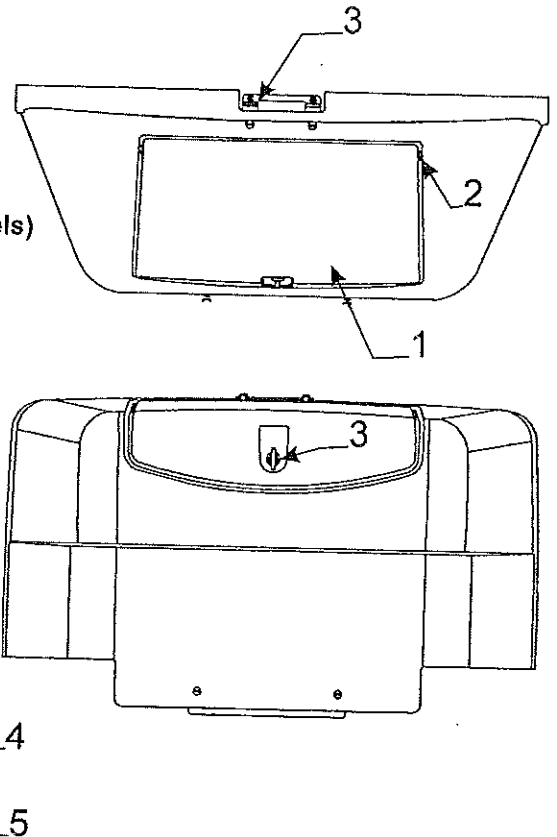
Flat Rate	Code	Part #	Description	Flat Rate	Code	Part #	Description
1.50	1	4757A0471	water tankwater 20 gal.	.50	15	4741D5571	electric water pump
	1A	4757B0521	water tankwater 10 gal.	.25	16	4747A8311	water filter
25	2	4741C2371	elbow "plastic"	.20	17	4741A9561	female adapter "copper"
	3	4731-3058	adjustable hose clamp 3/8"	.30	18	4732F1521	city fill
	4	4755-4821	brass barbed union m10	.20	19	4757-3631	brass adapter 3/8" barb "Pex"
.20	5	4758-5381	tank hanger x2 (all)	.20		4758-1341	1/2" mpt x 3/8 elbow "Pex"
.15	6	1218-7001	plug	.30	20	4731D1711	fill spout
.25	7	4741C2391	brass elbow "Pex" m2		21	4715-4501	adjustable hose clamp
.20	8	4741E2361	brass line drain "Pex"	.35	22	4731H1081	water fill hose (3' pc.)
.25	9	4741A2751	stainless steel clamp m100	.20	23	4060050003F	1/2" h.p. hose (sold/ft.)
25	10	4741C2381	brass tee "Pex" m10	.20	24	4765B1411	in-line filter & holder
.20	11	4741B9061	copper swivel elbow		25	4768-6161	in-line filter by-pass (winterizer)
.50	12	4741B2071	shower diverter		26	4765-9971	water heater bypass kit
*	13	4750-3421	water heater (all)		27	4716A1331	water heater door "grey"
.15	14	4732B4561	hose adapter			4716-1331	water heater door "white"

* Warranted By Vendor

Molded Gas Bottle Cover Assy. (4768-6941 "White" Non Box Models)
 Molded Gas Bottle Cover Assy. (4768-6931 "Gray" Box Models)

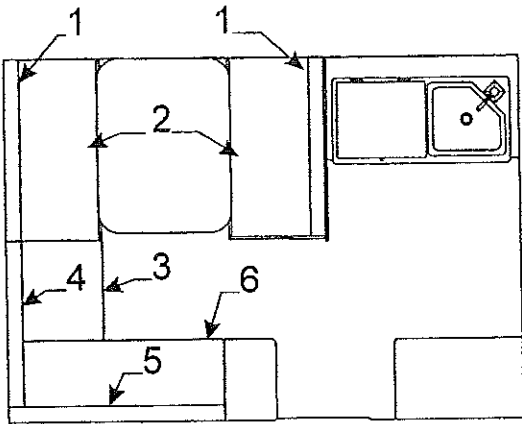
Note: Lid not sold separately for the gray cover

Flat Rate	Code	Part #	Description
.40	1	4759-0831	lp lid w/latch & seal "White"
		4060000014P	lid edge molding "wht". (8' pc.)
	2	4716-0981	lid mounting hardware pkg.
	3	4758-0181	chrome thumb turn latch
	4	4759-9341	latch tail (gray cover only)
	5	4759-9351	latch strike (gray cover only)



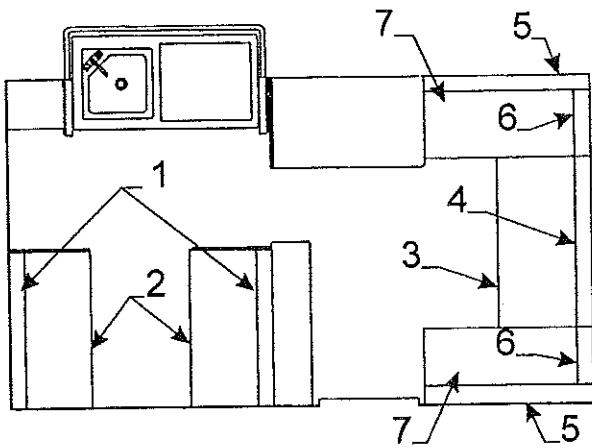
.40 FR Molded Tire Cover Assembly - 4753B6771
 Note: standard on 3878, 3895, 3857

Flat Rate	Code	Part #	Description
	1	4759-2701	top keeper bracket x2
		4732-1181	grommet m4
		4741D96568	expansion rivet m25
	2	4759-2691	bottom keeper bracket x2
		4732-1181	grommet m4
		4741D96568	expansion rivet m25
	3	1121C1618	screw x4



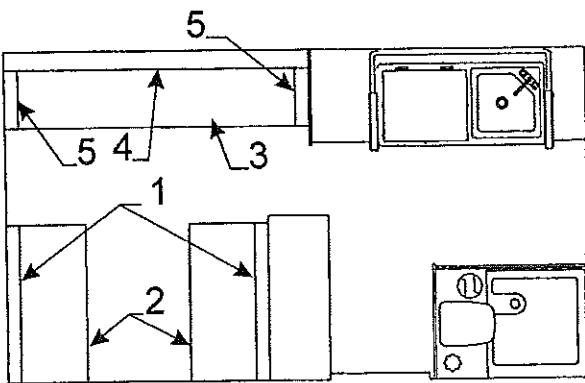
Cushion & Backrest Assy.'s 3858 Carmel			
Flat Rate	Code	Part #	Description
.10	1	4754J5231	backrest assy. 42 3/4" x 16 3/8" x 4"
.25		4714J5231	backrest cover
.10	2	4754J5241	cushion assy. 43 1/4" x 19 3/8" x 4"
.25		4714J5241	cushion cover
.10	3	4767A5931	cushion assy. 18 1/4" x 23" x 4"
.25		4714A5931	cushion cover
.10	4	4767A5951	backrest assy. 32" x 12" x 4"
.25		4714A5951	backrest cover
.10	5	4767A5941	backrest assy. 48 3/8" x 12" x 4"
.25		4714A5941	backrest cover
.10	6	4767A5921	cushion assy. 48 3/8" x 19" x 4"
.25		4714A5921	cushion cover

4710-2681 plastic cushion button m5



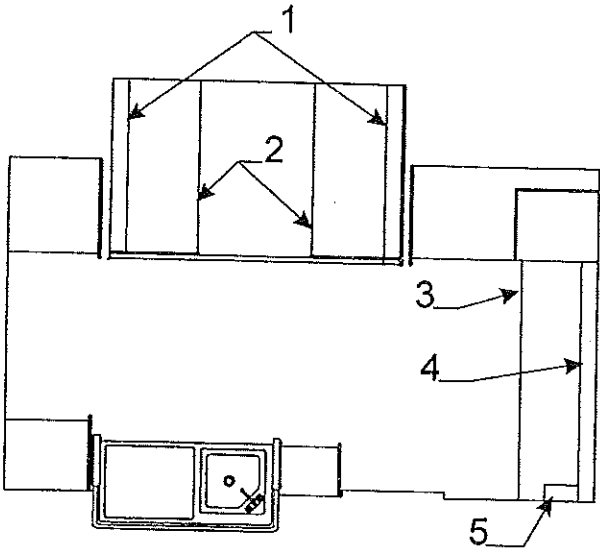
Cushion & Backrest Assy.'s 3851 Mesa			
Flat Rate	Code	Part #	Description
.10	1	4758F5741	backrest assy. 38 1/2" x 15 3/4" x 4"
.25		4714F5741	backrest cover
.10	2	4756H5631	cushion assy. 39 1/2" x 18" x 4"
.25		4714H5631	cushion cover
.10	3	4769-5401	cushion assy. 40 5/8" x 17" x 4"
.25		4714-5401	cushion cover
.10	4	4754G6351	backrest assy. 40 5/8" x 16 3/8" x 4"
.25		4714G6351	backrest cover
.10	5	4754G6341	backrest assy. 33" x 12 3/8" x 4"
.25		4714G6341	backrest cover
.10	6	4756F0411	backrest assy. 15" x 12 3/8" x 4"
.25		4714F0411	backrest cover
.10	7	4754G6371	cushion assy. 20" x 33" x 4"
.25		4714G6371	cushion cover

4710-2681 plastic cushion button m5



Cushion & Backrest Assy.'s 3894 Westlake			
Flat Rate	Code	Part #	Description
.10	1	4758F5741	backrest assy. 38 1/2" x 15 3/4" x 4"
.25		4714F5741	backrest cover
.10	2	4756H5631	cushion assy. 39 1/2" x 18" x 4"
.25		4714H5631	cushion cover
.10	3	4758D6191	cushion assy. 66" x 20" x 5"
.25		4714D6191	cushion cover
.10	4	4758D6201	backrest assy. 66" x 13" x 5"
.25		4714D6201	backrest cover
.10	5	4758D6211	arm rest 15" x 5 1/2" x 5 1/2"
.25		4714D6211	arm rest cover

4710-2681 plastic cushion button m5



Flat Rate	Code	Part #	Description
.10	1	4757G5591	backrest assy. 42 1/4" x 15 1/2" x 4"
.25		4714G5591	backrest cover
.10	2	4754J5241	cushion assy. 43 1/4" x 19 3/8" x 4"
.25		4714J5241	cushion cover
.10	3	4757E6591	cushion assy. 57" x 20" x 4"
.25		4714E6591	cushion cover
.10	4	4757E6581	backrest assy. 55 1/2" x 15 1/2" x 3 1/2"
.25		4714E6581	backrest cover
.10	5	4758D6211	arm rest 15" x 5 1/2" x 5 1/2"
.25		4714D6211	arm rest cover

4710-2681 plastic cushion button m5

Flat Rate .10 Assembly - .25 Cover

Dinette Cushion/Backrest Assemblies & Covers

Model	Cushion Assembly	Cushion Cover
3881,96,89,95,57	4754J5241	4714J5241

Model	Backrest Assembly	Backrest Cover
3889,3796	4754J5231	4714J5231
3881,78,95,57	4757G5591	4714G5591

CS Couch Cushion/Backrest Assemblies & Covers

Model	Cushion Assembly	Cushion Cover
3896 Cheyenne	4758D6191	4714D6191
3881 Utah	4769-5311	4714-5311
3895 Niagara	4757E6761	4714E6761

Flat Rate .10 Assembly - .25 Cover

Model	Backrest Assembly	Backrest Cover
3896 Cheyenne	4758D6201	4714D6201
3881 Utah	4769-5301	4716-5301
3895 Niagara	4757E6771	4714E6771

CS Couch Arm Rest Assemblies & Covers

Model	Arm Rest Assy.	Arm Rest Cover
3896,81,94,95	4758D6211	4714D6211

4710-2681 plastic cushion button m5

Cushion/Backrest Dimensions

Model	Cushion Assembly	Backrest Assembly
3889,96,81,95	43 1/4" x 19 3/8" x 4"	42 3/4" x 15 3/8" x 4"

Couch Cushion/Backrest Dimensions

Model	Cushion Assy.	Backrest Assy.
3896,3781	66" x 20" x 5"	66" x 13" x 5"
3895	42 1/2" x 23" x 4"	42 1/2" x 14" x 4"

Drape Package (Less Valance Pkg.) "Color - Darcy Moss"

Note: Drape Pkg. Includes Privacy Curtains x4

Model	Drape Pkg.	# Of Panels	Flat Rate
3858 Carmel,3889 Santa Fe	4754K5711	9	.30
3896 Cheyenne	4754J5501	9	.30
3851 Mesa	4755J6181	11	.30
3881 Utah	4757G5531	11	.30
3878 Bayside, 3857 Monterey	4755H2981	10	.30
3894 Westlake	4755H6461	9	.30
3895 Niagara	4753K6451	11	.30

Drape Tab C-Shape m60 - 4750-2891

Flat Rate - .05

Valance Package

4768A6181 - 3858, 3889

4768A6171 - 3896

4768A5951 - 3851,81,94,95,78,57

Privacy Curtain Pkg. (Set Of 2 Panels)

.15 4723L7901 - (all) Curtain size - 44 3/4" x 45"

Single Drape Panel W/Safety Straps

Note: refer to unit floor plan for size & quantity

.15 4716H9151 Drape pnl. 22" x 45"

.15 4716D9141 Drape pnl. 24" x 45"

.15 4716F8721 Drape pnl. 35" x 45"

.15 4716E8711 Drape pnl. 43" x 45"

.15 4716F7821 Drape pnl. 48" x 45"

Drape Tie Package (Qty. 1) - 4753H9801 (all)

Flat Rate - .05

Potty Curtain Pkg. 3881, 58, 89, 57 - 4756G8401

(Factory installed Potty Cab.)

Flat Rate - .20

Tip-out valance - 4759C6141 - 3851, 3878, 3857

Flat Rate - .20

Glide-out curtain & valance - 4714G5531 - 3881, 3878, 3895, 3857

Flat Rate - .20

Dressing room curtain - 4753G9821 - 3894 /4756G6331 - 3895

Flat rate - .20

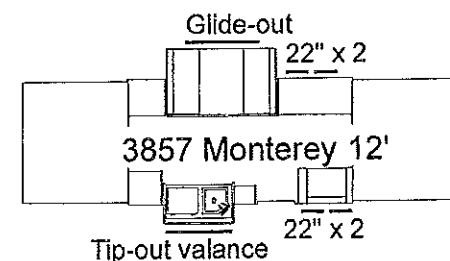
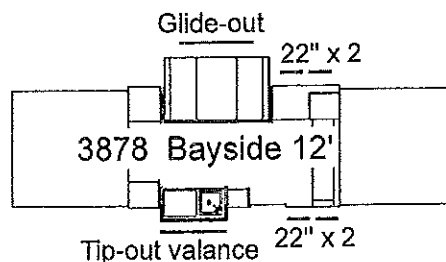
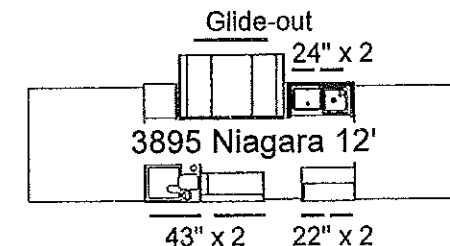
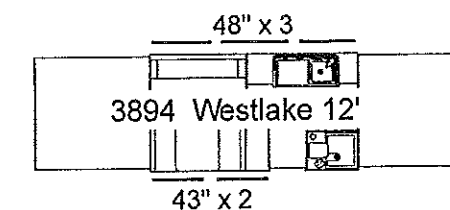
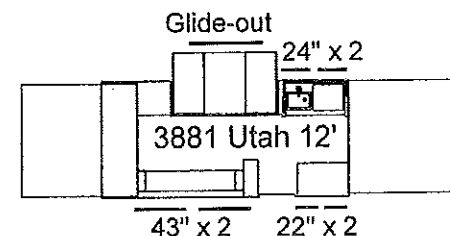
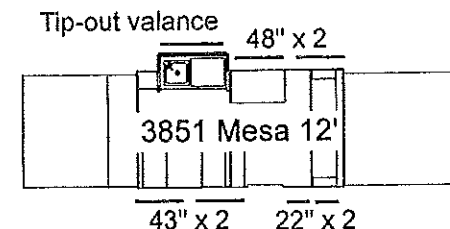
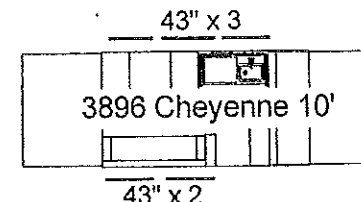
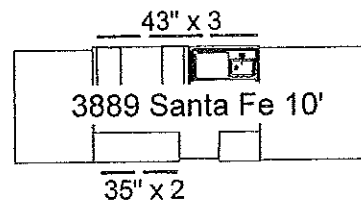
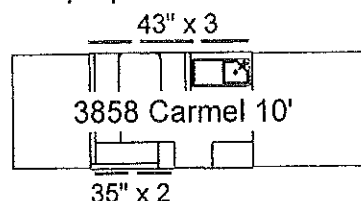
Shower curtain "white vinyl" - 4749A6661 - 3894, 95

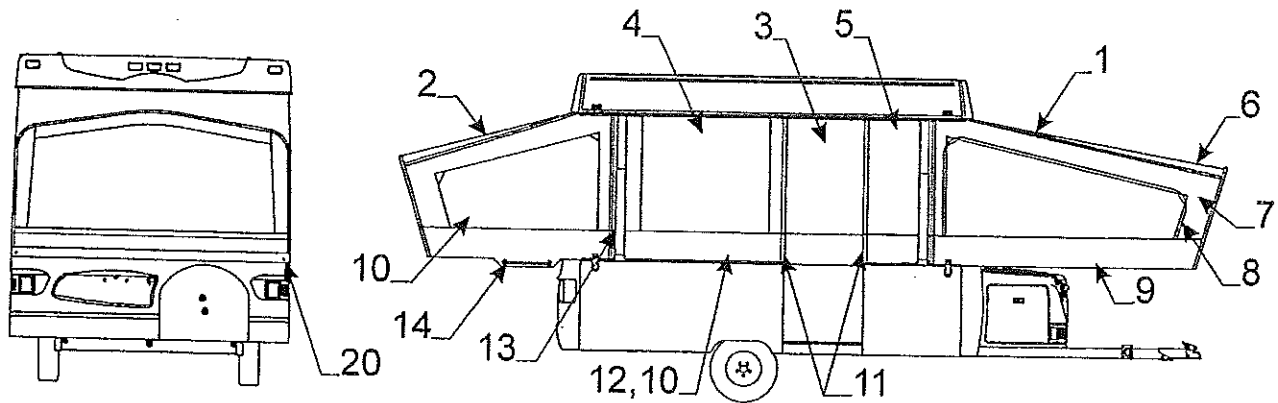
Flat Rate - .20 4748-8161 shower curtain clip m10

Shower curtain outer "drape matl." - 4769-6991 - 3894, 3895

Flat Rate - .20

Drape panel size & locations





Flat Rate	Code	Part #	Description
	Sunbrella Tenting & Components		
.50	1	4753F5861	front boot (all except 3857 Monterey)
.50		4767-6171	front boot 3857 Monterey
.50	2	4753F5871	rear boot 3858,89,96
.50		4753F5861	rear boot 3851,78,81,94,95
.50		4767-6171	rear boot 3857 Monterey
.20	3	4769-5771	large window 3858, 89, 96
.20		4769-5781	large window w/tipout 3851
.20		4769-5761	large window 3894
.40		4756G6751	large window "glide-out" 3878,81,95,57
.20	4	4753F5921	small window 3858, 3889
.20		4753E5941	small window 3896
.20		4756E6761	small window 3851,81,94,95
.20		4757H5871	small window with tipout 3878, 3857
.15	5	4753G5931	door seal 3858, 89
.15		4753F5951	door seal 3896
.15		4756F6771	door seal 3851,78,81,95,57
.15		4755E6491	door seal 3894
	6	8118501430P	top vinyl package (85" x 3 yds)
	7	4716C0851	sunbrella patch package (12" x 14")
	8	6650500131F	zipper (sold/yard) used around window
		1225A4461	zipper pull m5
	9	8118001430P	bottom vinyl facing "grey" (80" x 3 yds.)
	10	4714E1611	screen package (84" x 3 yards)
		4714A0361	screen package (84" x 13 yards)
	11	4350000009P	1" velcro hook (10' pc. pkg.)
	12	4716-2401	clear window vinyl (41" x 2 yards)
	13	1225G3768	45 1/2" side zipper pin half
		1225G3758	45 1/2" side zipper slider half
.50	14	4060000245CP	shock cord (150' pc. pkg.)
.50		4714C6021	shock cord & hooks m2 (two 14' lengths)
.15		4724A2011	shock cord termination (plastic hook) m10
	15	4060000024F	arrowhead seal (sold/foot)
.30	16	4769-5741	extension harness (3 wire)
.50	17	4743-1588	k-kote seam sealer
	18	4728A5641	tent retainer pkg.
.30	19	4710-1001	vinyl daubing "white" m2
.30		4710-1011	vinyl daubing "grey"
	20	4739B2901	screw cap "grey" m12
		4739-2918	screw cap washer m10

4768A5331 Top Assembly - 3858 Carmel, 3889 Santa Fe
 4768A5291 Top Assembly - 3851 Mesa
 4768A5221 Top Assembly - 3878 Bayside, 3857 Monterey
 4768A5281 Top Assembly - 3881 Utah

4768A5301 Top Assembly - 3894 Westlake
 4768A5251 Top Assembly - 3895 Niagara
 4768A5321 Top Assembly - 3896 Cheyenne

Top Replacement: Flat Rate 3.00

1.50 For A/C
 1.00 For Disposal

Flat Rate	AlumiTite Code	Part #	Description
1.00	1	4759-1051	end cap front "plastic"
1.00		4759-1091	end cap rear "plastic"
		4753-2691	screw x4, m12 (affix end cap from the interior)
.15	2	4714J08581	red marker light & base
.10		4716A4561	red lens (lens only)
.15		4714J08481	amber marker light & base
.10		4716A4571	amber lens (lens only)
	3	4758A4461	track end cap small (2 pcs. per pkg.)
	4	4747A1058	white plastic rivet m25
1.50	5	4758B4431	top end trim front/rear
		4350000101P	1" tacky tape (30' pc. pkg.)
.50	6	3530900143P	canopy track 145" (must cut to size)
Note: For canopy track adhesive please contact our customer service dept.			
.15	7	4750A9581	top strike x4 m2
		4744C2461	torx screw m2 (x2 per strike)
		1201B6958	keps nut (x2 per strike)
		1202E0408	washer (x2 per strike)
		4739A4191	vinyl cap m6 (x2 per strike)
2.00	8	4060000016P	top seal package (41' pc. pkg.)
.50	9	4758C4981	cargo track 144 1/2" (must cut to size)
		4350000101P	1" tacky tape (30' pc. pkg.)
		4733E4131	tek screw m50
	10	4758-4461	track end cap large (2 pcs. per pkg.)
	11	4756B0631	tent track (must cut to size)
	12	4758-4281	inside corner bracket x4
.20	13	4758B4401	lift pocket cover x4
.10		4723A8071	2" x 2" velcro hook patch m4
.10		4724D0991	3/4" velcro strip m4
.25	14	4767A6791	lift pocket assy. x4
.05	15	4750-2891	drape tab c-shape m60
		4738-3088	screw
.15	16	4753E6991	screen dr. retaining brkt (rt./lt)
	17	4733B4511	steel loop m2
.15	18	4744E4741	double dome light
		1103B08148	screw x4 per light
.10		4758-1361	dome light lens (x2 per light)
	19	4350400004F	seam tape (sold/foot)
.15	20	4756A8291	aux. light jack
.30	21	4758B4231	a/c brace
		4767A6801	brace mounting brkt. x2
		100-1031	rivet m25 (4 rivets per brkt.)
		4758-455	1 1/4" hex head bolt x2
		1202E0408	washer x2
	22	1203-9258	plastic accordion rivet m25
.15	23	4723B5061	screen door strap x2
		4753A9871	rivet m25
		4730A3548	stud w/screw x2
.20	24	4749C5571	screen door storage brkt.
	25	100-1031	rivet m25
.15	26	4734F5211	screen door cable m2
.50	27	4758B4471	screen door track (plastic) x2
		4744B4611	expansion rivet "white" m25
.10	28	4755A5231	shower curtain rod (3895 Niagara)
.10	28	4755B5231	shower curtain rod (3894 Westlake)
.20	29	4758A4571	clothes hanger and hardware
.15	30	1226D1381	stud w/rivet
.15	31	4755-5211	shower rod strap x4 (3894,95)
.20	32	4750-1761	shower head brkt. (3894,95)
	33	4356500043P	tacky tape (20 ft. pc. pkg.)
	34	4350000125P	3" x 4" flexitred white
	35	4728A5641	tent retaining pkg.
.25	36	4761-1958	fleetwood decal

