

2004

Destiny DLX Series

Repair Parts Catalog



3876 Sedona 10'

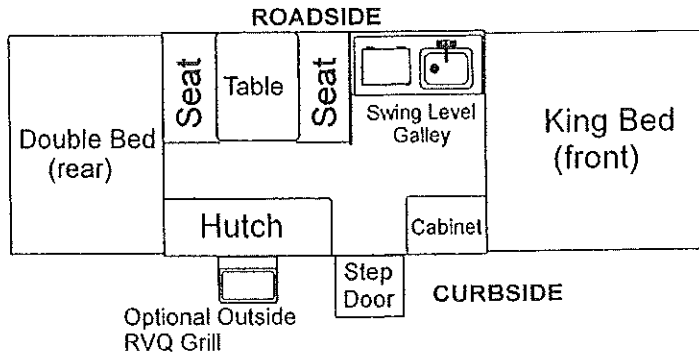
3853 Laramie 10'

3859 Timberlake 10'

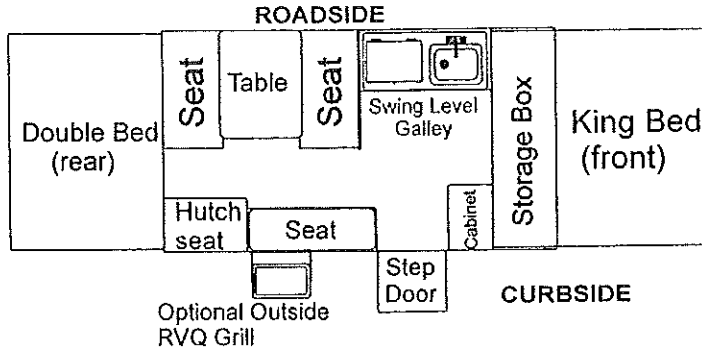
3892 Tacoma 12'

2004 DESTINY DLX series

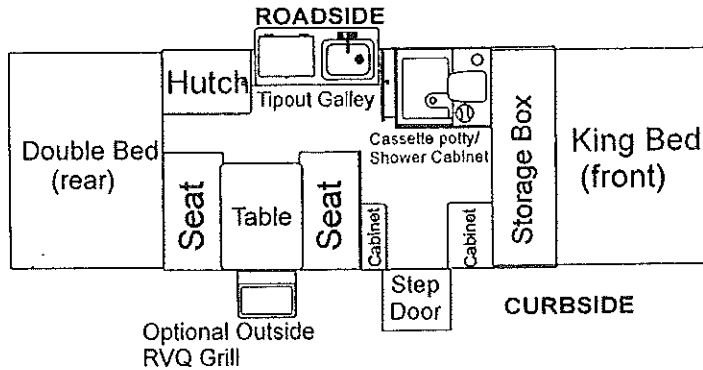
3876 SEDONA 10'



3853 LARAMIE 10'



3859 TIMBERLAKE 10'



3892 TACOMA 12'

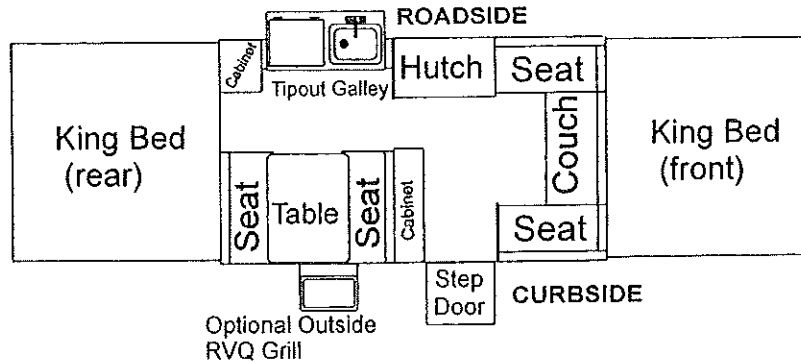
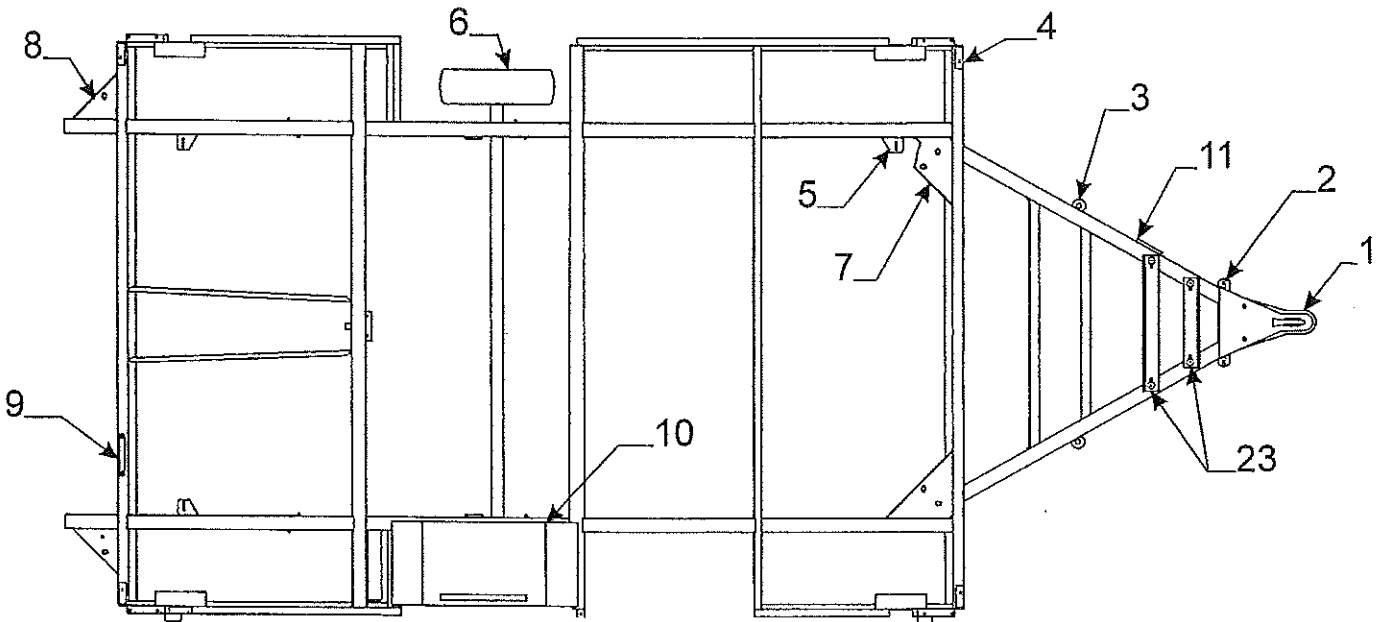


TABLE OF CONTENTS

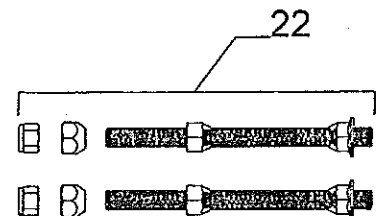
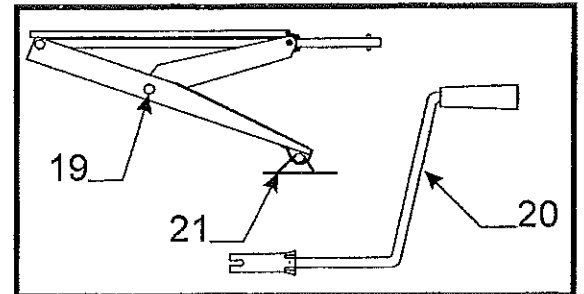
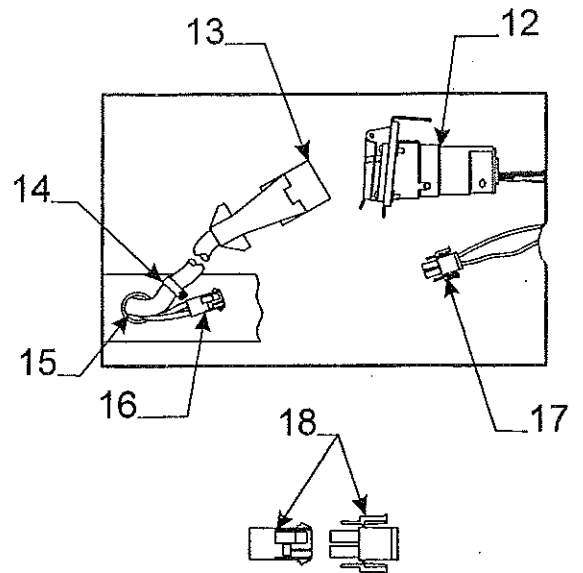
<u>DESCRIPTION</u>	<u>PAGE</u>
Access door key	28
Access door assembly & related parts	10
Auto extension	13
Axle assemblies & related parts	3
Backrest assemblies & covers	27
Bed assemblies.....	24
Bed extensions & related parts	24
Body panel right rear (curbside)	8
Body panel left side (roadside)	11
Body panel front & rear (plastic)	7
Body panel right front (curbside)	9
Body panel frt. (storage box units 3853,59)	6
Breakaway switch (electric brakes)	28
Bumper & related parts	7
Cabinet assembly (corner cabinets)	19
Cabinet assembly curbside rear 3859, 3892.....	19
Caulking	13
Converter & related parts	18
Cooler (built-in)	14,17
Corner bulkhead assembly	2
Coupler assembly	2
Crank & Sprocket components	5
Crank handle	28
Cushion assemblies & covers	27
Door bulkheads	10
Drain hose (used on sinks)	12
Drape packages & related parts	27
Drawer assembly components	18
Electric brakes & related parts	3
Fire extinguisher & components	20
Floor covering	2
Frame assembly & related parts	2
Gas detector	22
Gas hose (gas bottle hook-up)	29
Gas bottle mounting brackets	28
Gas grill (RVQ grill)	29
Gas quick disconnect (outside stove)	29
Gas bottle cover (black vinyl)	29
Gas bottle & related parts	29
Grease cap (dust cap)	3
Hub assembly & related parts	3
Hutch assembly (roadside 3892 Tacoma)	21
Hutch assembly (rsr 3859 Timberlake)	17
Hutch assembly (curbside 3858 Laramie)	20
Hutch assembly (curbside 3876 Sedona)	21
Hutch assembly (doorway 3892, 3859)	19
Lift assemblies & related parts	4
Lift trim & miter covers	8,9
Lower galley components (3876 Sedona)	14
Lower galley components (3853 Laramie)	14
Lower galley components (3859 Timberlake)	16
Lower galley components (3892 Tacoma)	15
Lug wrench	28
Mattress assemblies & covers	24
Paint (spray & quart can)	13
Paneling & trim	20
Parts package & components	28
Pigtail (car end)	2
Potty "cassette" (3859 Timberlake)	17

<u>DESCRIPTION</u>	<u>PAGE</u>
Power cord (converter)	18
Receptacle (exterior)	8
Receptacle (interior)	18
Refrigerator vents	11
Regulator & fittings	28
RVQ gas grill /hose kit	29
Safety chains	28
Screen door & related parts	26
Seat bench component parts	22
Sink & related parts	12
Shower curtain	27
Shower curtain rod (3859 Timberlake)	31
Shower drain components (3859 Timberlake) ..	17
Shower stall cover board (3859 Timberlake)	17
Shower stall w/potty (3859 Timberlake)	17
Shower head & hose (3859 Timberlake).....	17
Spare tire cover (black vinyl)	2
Spare tire mount package	2
Stabilizer assembly	2
Stabilizer handle/lug wrench combo	28
Storage box components 3853, 3859	6
Stove components (upper galley stove)	12
Table assemblies & related parts	13
Taillights (rear body panel)	7
Tent support assemblies & related parts	23
Tenting & related parts (sunbrella)	30
Thermostat (Hydro Flame)	22
Thrust bearing	4
Tie backs (curtains)	27
Tip-out tent bow and related parts (3892, 3859) .	23
Tire & rim	2
Tire cover "black vinyl"	2
Tongue jack & related parts	5
Top assemblies & related parts	31
Trim tape kits	8,9,10,11
Upper galley assembly (3876 Sedona)	14
Upper galley assembly (3853 Laramie)	14
Upper galley assembly (3859 Timberlake)	16
Upper galley assembly (3892 Tacoma)	15
Valance package	27
Water heater	25
Water system & related parts	25
Wheel well	2
Whiffletree & related parts	4
Zipper (tenting assemblies)	30

Axle/Brakes - Dexter	219/295-1900
Cassette Potty - Thetford	800/521-3032
Converter - World Friendship Co.	800/900-2468
Furnace - Hydro Flame #7916-11	800/546-8759
Hand pump - Shurflo	800/762-8094
Mixer Faucet - Empire Brass	800/431-6440
Refrigerator - Dometic	800/216-5115
Stove - Vitco	877/825-8528
Tires - Kenda	800/225-4714
Water heater - #5031E	423/775-2131
Yakima bike rack - to obtain repair parts .	800/925-4621

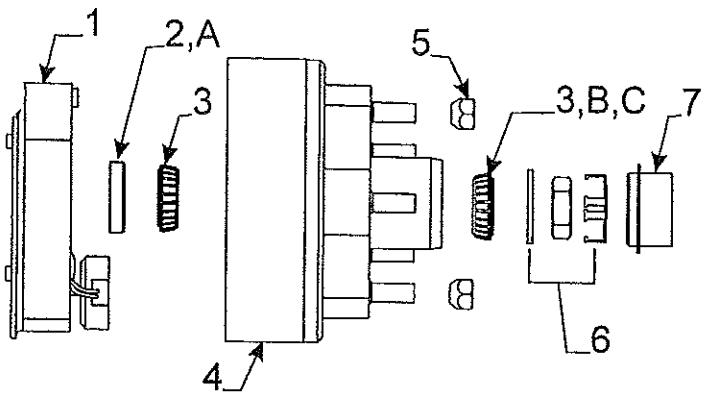


Flat Rate	Frame Code	Assembly Part #	Component Parts Description
1.50	1	4742-2001	coupler assembly
.25		4714A2211	coupler repair kit
.75	2	4748-6611	chain bar w/pins
.75		4720A3561	chain bar w/o pins
.50	3	4758-0381	bed leg pin & washer
2.00	4	4758A6681	corner bulkhead csf/rsr
2.00		4758A6691	corner bulkhead rsf/csr
		1203C8751	rivet m25 (rivet bulkhead to frame)
.75	5	4732E3671	adjustable pulley brkt. x4
.25		4715A5371	pulley & bearing m10
		4720C1578	short pin m4
		1204B1081	cotter pin m10
.25	6	4757A2468	13" tire & rim (ST175 -80D-13)
		4723G3161	black vinyl tire cover
	7	4749A5861	stabilizer gusset (front)
	8	4752-6001	stabilizer gusset (rear)
1.00	9	4754D5101	spare tire support "rear"
2.00	10	4759-0791	wheel well assy. x2
.75	11	4720B3331	jack bracket (welded to tongue)
	12	4746A5591	pigtail - "car end"
	13	4753B3751	trailer harness
	14	1201-8738	3/8" clamp
		1203C8721	steel rivet m25
	15	4742-8108	1 1/4" snap bushing
	16	4716A5001	12 volt power harness
.15	17	4749B5531	12 volt wire harness m2
	18	4716A4701	12 volt cap & plug m2
.25	19	4751A3351	stabilizer assy. (screw down)
		4751-8208	tapping screw (3 per stab.)
.10	20	4747G4141	crank handle
.25	21	4755-6841	sand shoe (set of 4)
	22	4747B5891	spare tire mount kit (all)
*	23	4716A7151	frt./rear battery angle pkg. (riveted)



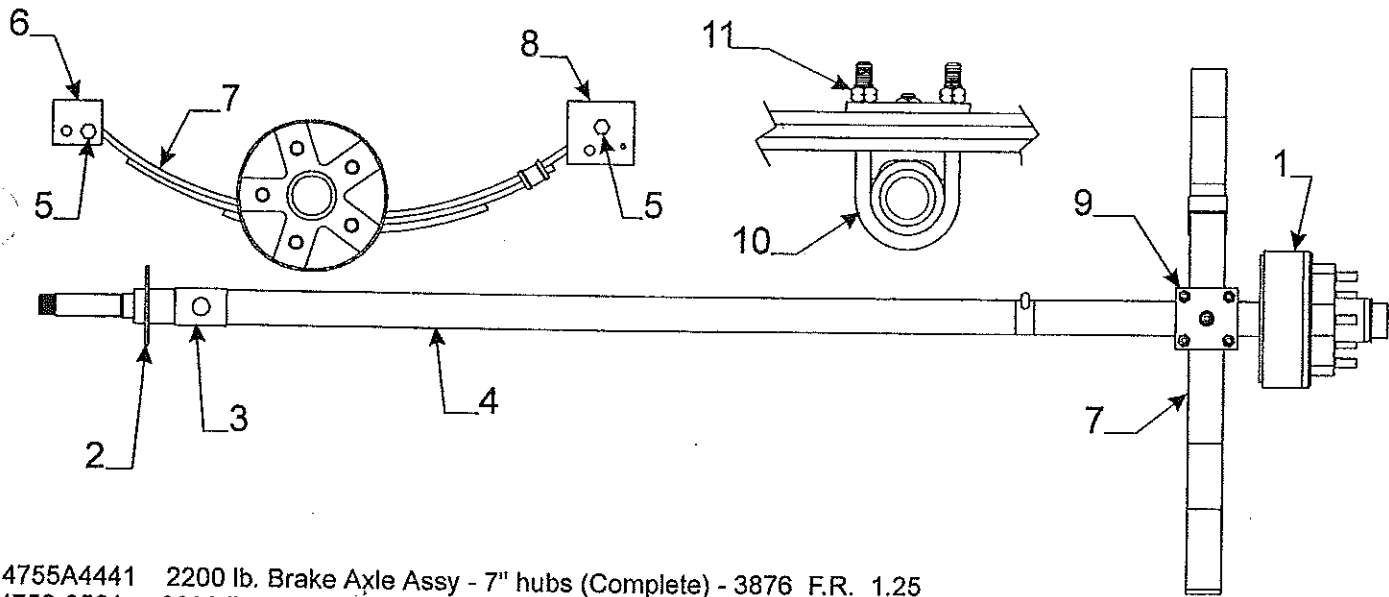
* 6610007204P floor covering pkg. (7 1/2' x 14')

* Prior Authorization Needed From Factory



Flat Rate .50 Per Side		Electric Brake Pkg. 7" x 1 1/4" (4714H2011)		Electric Brake Pkg. 10" x 2 1/4" (4714J2011)	
Flat Rate	Code	Part #	Description		
.50	1	4733A3521	7" brake assembly (rt hand)		
.50		4733A3531	7" brake assembly (lt hand)		
.50		4716-6251	10" brake assembly (rt hand)		
.50		4716-6261	10" brake assembly (lt hand)		
.50	2	4714A2201	7" grease seal x1 m4		
.50		4716-1441	10" grease seal x1 m4		
.50	3	4716-1101	7" bearing, race & seal pkg.		
.50		4716-1451	10" bearing, race & seal pkg.		
.30	4	4716A1071	7" hub & drum x2		
.30		4716-1431	10" hub & drum x2		
.05	5	4747A9528	lug nuts x5		
.10	6	4714A3061	washer, nut & retainer pkg.		
.05	7	4714C0621	EZ lube grease cap m4		

Crossover Numbers To Purchase Locally
A 13194TM or 198138SP21 Grease Seal (7" hub)
 171255VB Grease Seal (10" hub)
B L44649 Bearing (7" hub x2/ 10" hub x1 "outer")
 L68149 Bearing (large inner x1 10" hub only)
C L44610 Race (7" hub x2/10" hub x1 "outer")
 L68111 Race (large inner x1 10" hub)



4755A4441 2200 lb. Brake Axle Assy - 7" hubs (Complete) - 3876 F.R. 1.25
 *4759-3561 3000 lb. Brake Axle Assy. - 10" hubs (Complete) - 3853, 3859, 3892 F.R. 1.25

*NOTE: 3000 lb. Axle Assy. limited parts stocked, refer to Dexter Axle for required part (s) phone - 219/295-1900

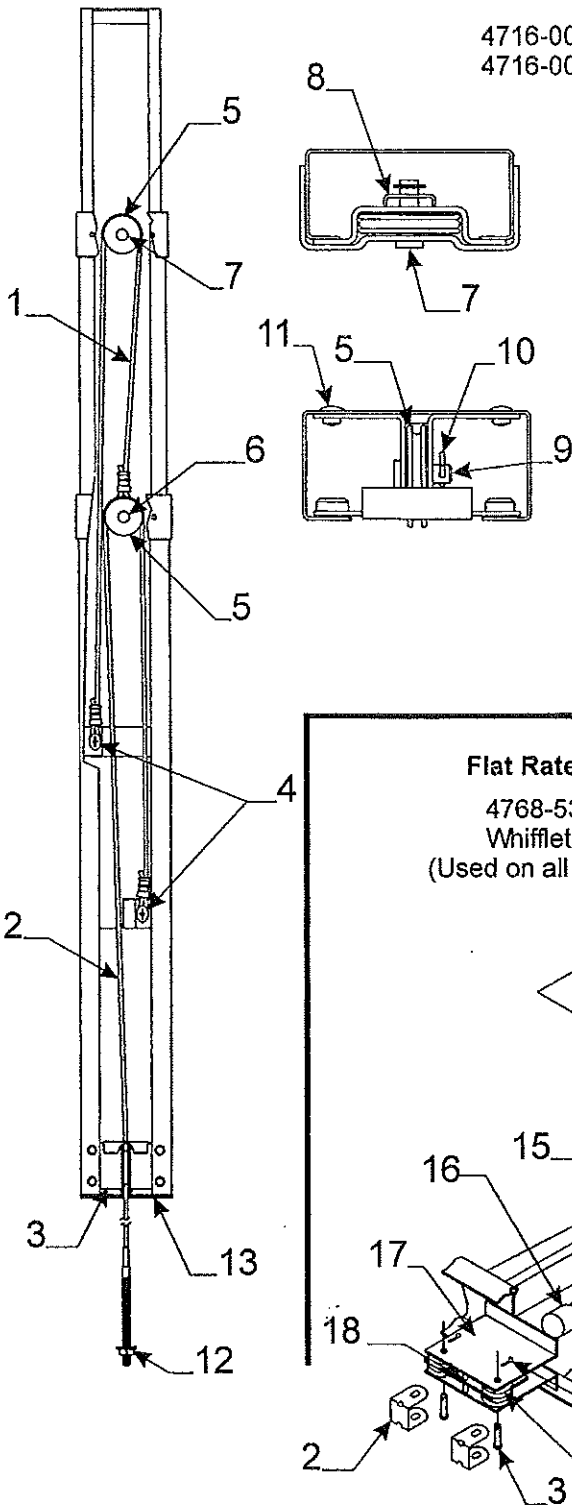
Flat Rate	Axle & Spring Components		Flat Rate	Description	
Code	Part #	Description	Code	Part #	Description
*	1	Note: refer above for hub & components	.75	7	4735G22081 leaf spring (3 ply) 3853, 59, 92
*	2	4741A8471 brake plate	.75		4735G2201 leaf spring (3 ply) 3876
1.00	3	4741-8461 spring pad channel m2	2.00	8	4741C3398 spring shackle (front)
.25	4	4716F6251 axle beam	.50	9	4741-8458 u-bolt plate
	5	4737A1318 shackle bolt	.25	10	4741A8438 u-bolt
		4741-9498 shackle bolt nut		11	4741-9358 u-bolt nut
2.00	6	4741A3398 spring shackle (rear)			

* PRIOR AUTHORIZATION NEEDED FROM FACTORY

Flat Rate 1.25 Per Lift Assembly

4716-0031 lift assembly roadside rear/curbside front (all)

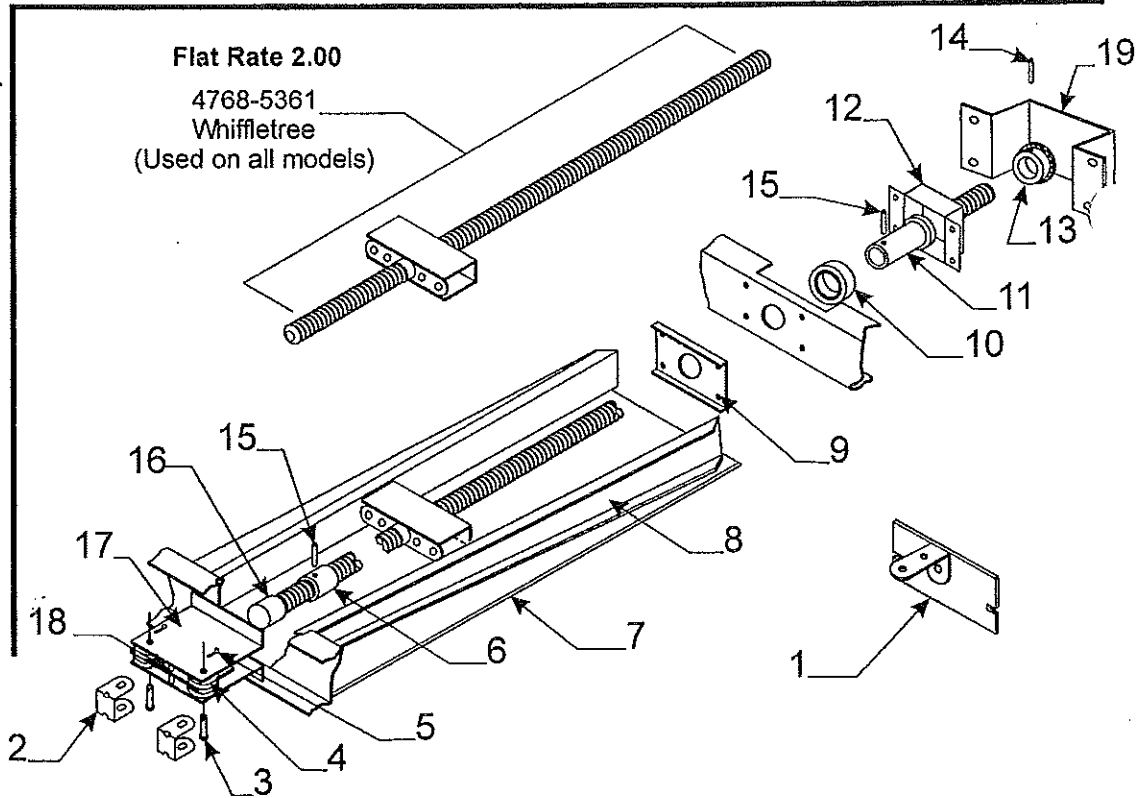
4716-0041 lift assembly roadside front/curbside rear (all)



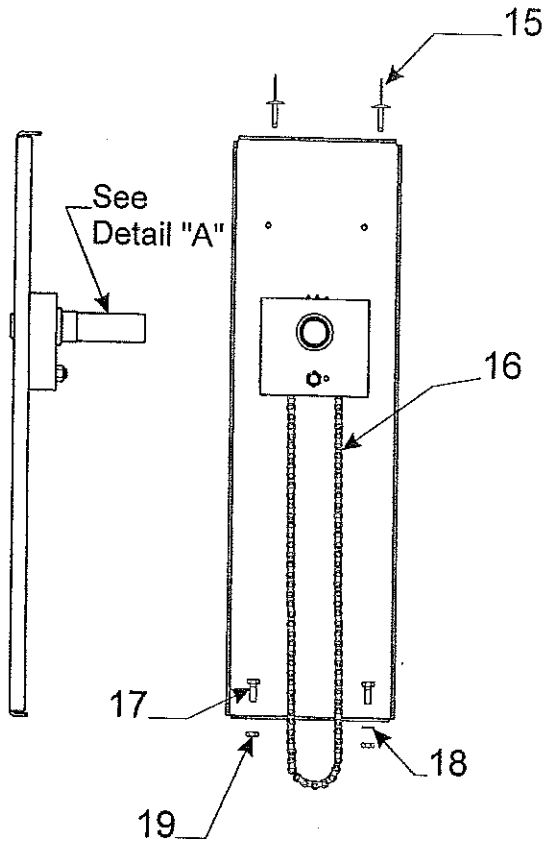
Flat Rate	Lift Assembly Component Parts	Code	Part #	Description
.75	1	4720D5271	cable assembly x1 m2	
		4720C1691	cable crimp m20	
1.25	2	4772-0201	194 1/2" long cable & crimp	
		4744-1318	copper cable crimp m10	
1.25	3	4731C5801	butterfly bracket assy.	
.05	4	4749-2081	screw m6	
.50	5	4715A5371	steel pulley & bearing m10	
.25	6	4747-8931	long pin x2	
		4730B0981	retaining ring m12	
.25	7	4749-4061	short pin m4	
		4730B0981	retaining ring m12	
.25	8	4749A2028	retaining clip	
.45	9	4720C1578	lift pin m4	
	10	1204B1081	cotter pin m10	
	11	1203-8641	rivet m25	
	12	1201B6378	1/4" lock nut	
		1202E0408	washer	
	13	4747-0321	lift bottom cover	

Flat Rate 2.00

4768-5361 Whiffletree (Used on all models)



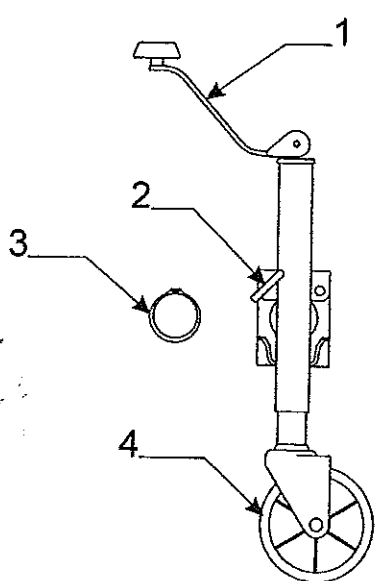
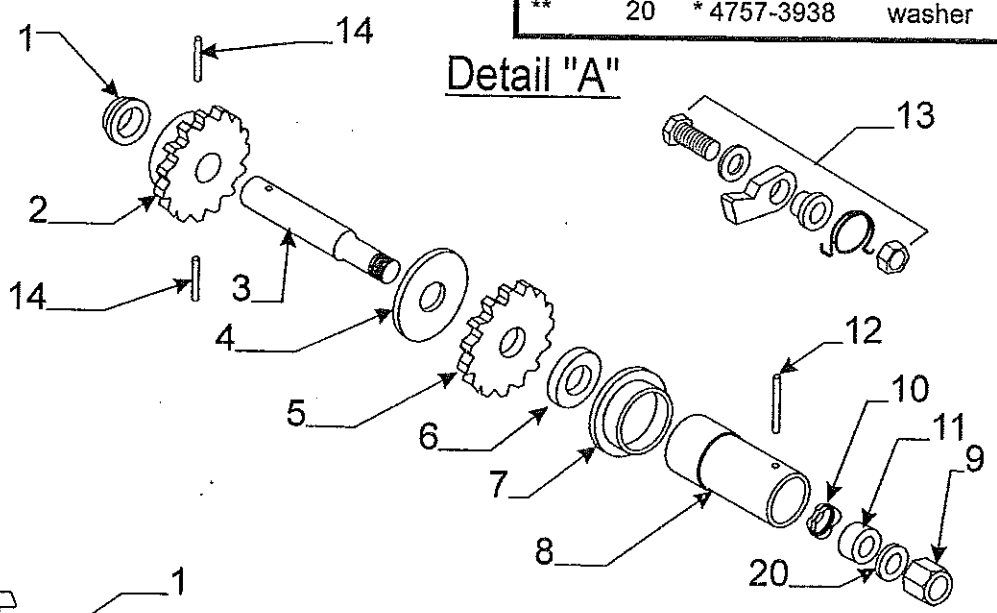
Flat Rate	Whiffletree & Related Parts	Code	Part #	Description	Flat Rate	Code	Part #	Description
.15	1	4749A821	mud flap & brkt.		1.50	10	4720B2421	thrust nut bearing
.50	2	4744B1741	cable retainer x2		1.50	11	4720B2388	thrust nut
.20	3	4720J1561	long pin m4		1.50	12	4720B2408	bearing housing
.50	4	4715A5371	pulley & bearing m10		1.00	13	4730C3848	sprocket 12 tooth
.10	5	1204B1081	cotter pin m10			14	4720D1481	roll pin m10
1.60	6	4710B4248	bushing		1.00	15	4744A1301	shear pin m10
.25	7	4752C4921	whiffletree pan cover		2.00	16	4730D1291	screw socket (welded)
.25	8	4720F237	pan cover side (welded)		2.00	17	4720-1551	pulley plate
	9	4720C2418	plate		.50	18	4715D5661	pulley spacer
						19	4758A0481	chain cover



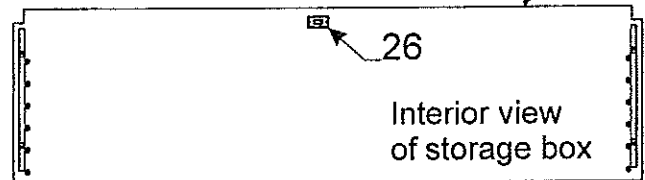
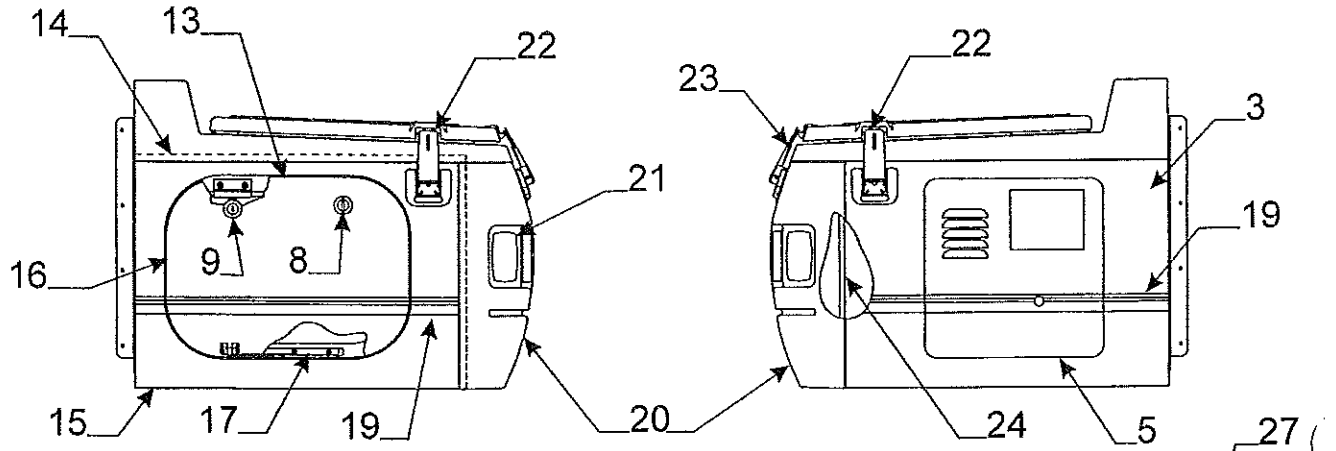
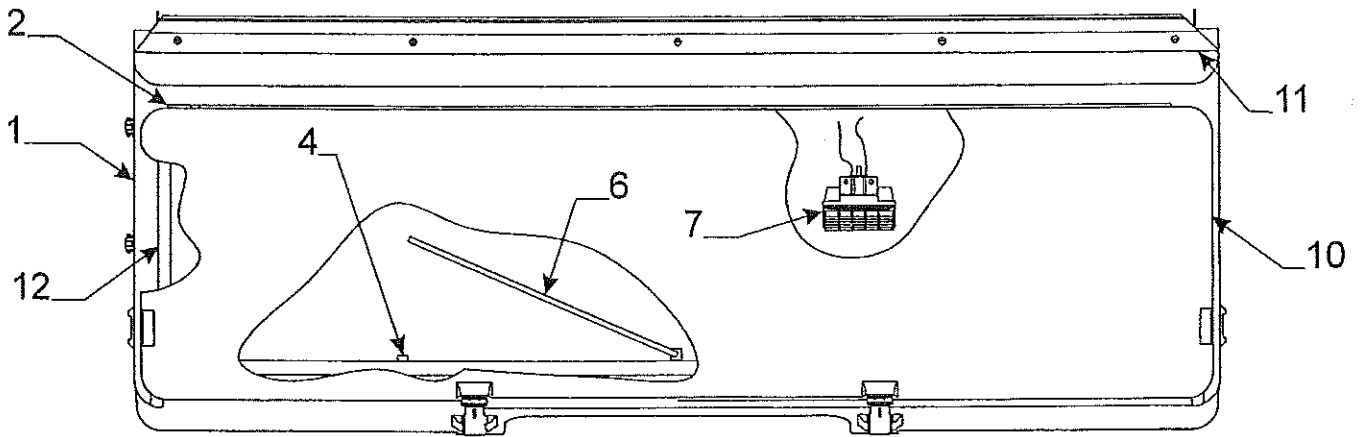
** 1.50 all parts combined

Flat Rate 1.50 complete assembly			
4768A6801 crank & sprocket assy.			
Flat Rate	Code	Part #	Description
**	1	4751-3501	shaft bushing
**	2	4730B3858	sprocket 24 tooth
**		4730C3858	sprocket 22 tooth
**	3	4751-3521	drive shaft
**	4	4751-3561	pressure plate
**	5	4751-4831	ratchet wheel
**	6	4751-3581	pressure washer
**	7	4751A3591	shaft bushing
.75	8	4751-6511	drive hub extension pkg.
Note: package includes parts marked w/asterisk (*)			
	9	*4751-3551	hex head nut
	10	*4752-3921	handle spring m2
	11	*4751-4671	nylon washer
	12	*4747A9451	spiral roll pin m6
.60	13	4716-1221	ratchet pawl package
	14	4720D1481	roll pin m10
		4744A1301	shear pin m10
1.50	15	1203C8721	rivet m25
	16	4759-8031	crank chain 45 3/8"
		4730A3811	connecting link
	17	4731-3878	hex head bolt x2
	18	1202B0438	washer
	19	1201B6038	hex head nut
**	20	*4757-3938	washer

Detail "A"



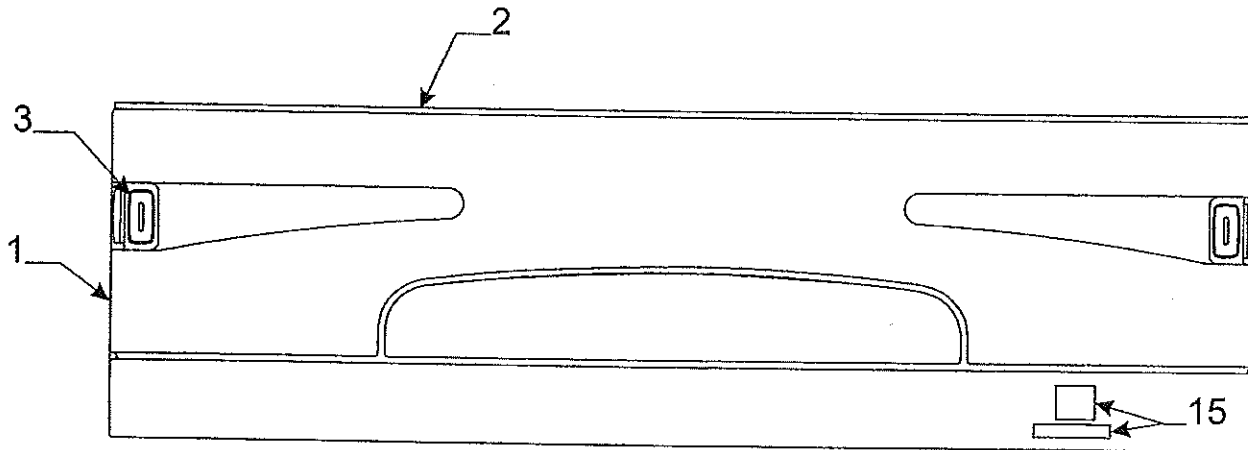
Flat Rate .10 Jack Removal			
Tongue Jack Assembly (4720C6661) "Norco"			
Flat Rate	Code	Part #	Description
.15	1	4716-1951	jack handle kit
.15	2	4716-1981	locking plunger kit
.10	3	4720A3341	snap ring m2
.25	4	4716-1971	jack wheel nut & bolt



Storage box components - 3853 Laramie, 3859 Timberlake

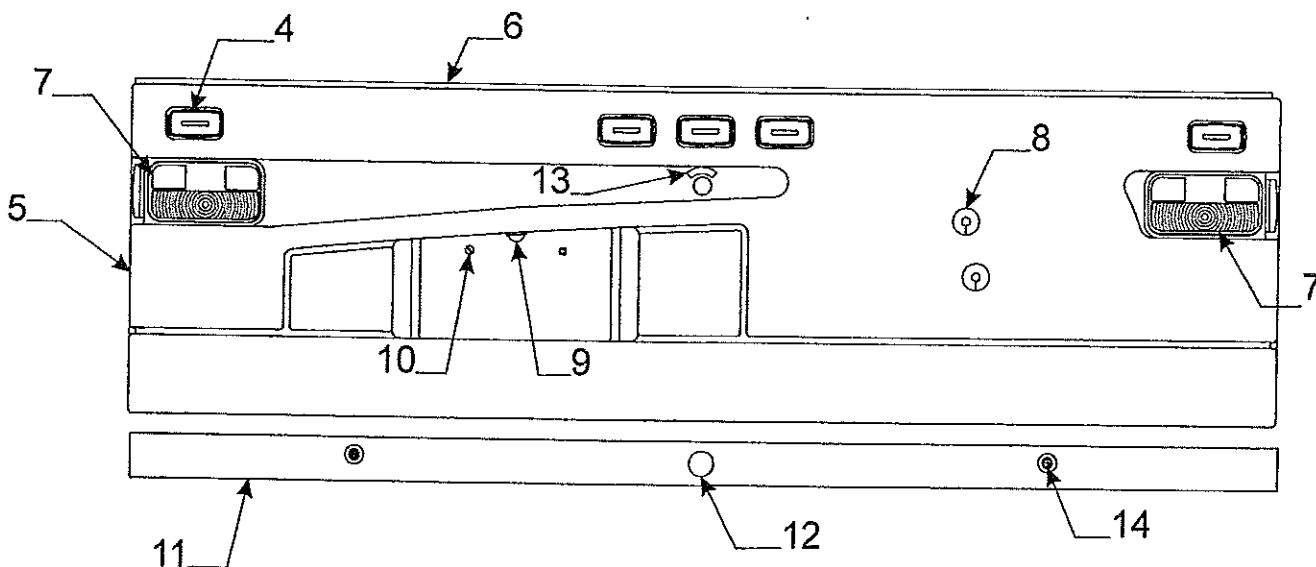
Flat Rate	Code	Part #	Description	Flat Rate	Code	Part #	Description
1.50	1	4767-5151	lid/deck assy. (Complete)				
.65	2	4758-0191	lid hinge				
		1014T10068	machine screw x13				
		1201B6958	keps nut x13				
1.80	3	4754F1981	rs ABS side pnl.				
.10	4	4720A0721	cooler clip m2				
.25	5	4716-1331	water heater door				
	6	4751B1181	prop rod				
		4751-1208	push nut				
		4751B1191	prop rod bracket				
.25	7	4751-0921	cargo light				
		4741D96568	expansion rivet m25				
	8	4758-0181	chrome thumb turn assy.				
	9	4751D8301	cam lock w/o-ring				
.40	10	4060000588P	lid seal package (12' pc.)				
.75	11	4758-0091	end rail				
.40	12	4060000404P	deck seal pkg. (20' pc.)				
.25	13	4757A2021	storage door strike x2				
	14	4358800015P	vhb joint tape (16' pc. pkg.)				
1.80	15	4754F1971	cs ABS box side panel				
.45	16	4757B1771	compartment door				
		4060000615P	door seal (6' pc. pkg.)				
				.50	17	4757-1781	plastic door hinge
						4720D2361	hinge pin w/push nuts m2
				.15	18	* 4716B1761	floor covering 4' x 7 1/2' pc.
				.50	19	4350002047P	trim tape (16' pc.)
				2.00	20	4757-9001	front ABS body panel
				.15	21	4714J08481	amber lens & base
				.10		4716A4571	amber lens (lens only)
				.15	22	4741C6041	latch w/out lock tab x2
						4741A9101	hex head tek screw m10
				.15		4749B1441	strike m2 (used x4)
						4741D96568	expansion rivet m25
				.15	23	4715F5051	latch w/lock tab
						4744B2468	screw x4
						1201B6958	keps nut x4
				*	24	4767-5121	front wood wall panel
				1.50	25	4754-2001	floor seam divider 86" pc.
				.15	26	4751-1161	rocker switch "lighted"
				4.00	27	4758A0281	3/8" bulkhead

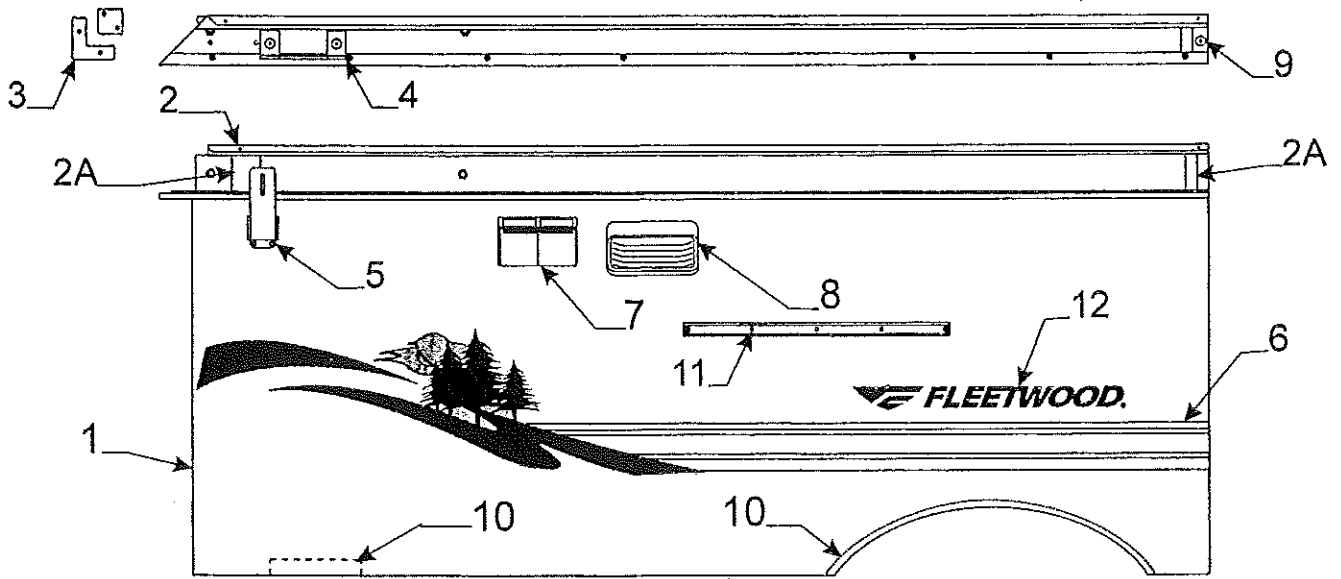
* Prior authorization from factory needed



* 1.50 Flat Rate Front Panel/2.50 Rear Panel

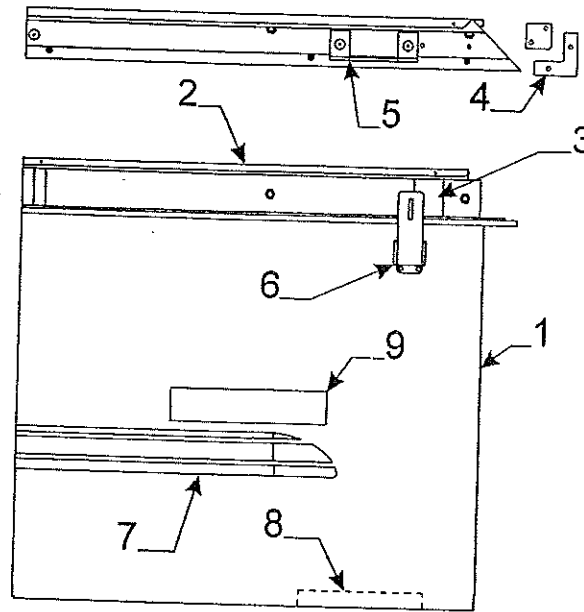
Flat Rate	Code	Part #	Description	Flat Rate	Code	Part #	Description
Front & Rear Body Panel Components							
*	1	4754A8711	front body pnl.	.20	7	4749B4321	taillight x2
Note: refer to opposite page for storage box body panel				.10		4716A1061	taillight lens
.75	2	4754-8681	front end rail			4747-2558	expansion rivet m25
		1203-8651	rivet x5 m25	.10	8	4754-3871	foam gasket m2
Note: refer to opposite page for storage box body rail				.15	9	4739B4311	tag light
.15	3	4714J08481	amber marker light x4	.05	10	4732-1181	plastic grommet m4
		4716A4571	amber lens (lens only)	.05		1121C1618	license plate screw x2
.25		4733H1311	socket & harness	.30	11	4756D2371	bumper 3853,3859,3892
		4747-2558	expansion rivet m25	.30		4754D0211	bumper 3876
.15	4	4714J08581	red marker light x7	.10	12	4756-9761	2" hole plug
.10		4716A4561	red lens (lens only)	.10	13	4730H3188	"open" decal
		Note: refer to code # 3 for hardware		.25	14	1032B24248	bolt x2
*	5	4757-1961	rear body pnl.			1202B0468	washer x6 m10
		4741D96568	expansion rivet m25 "white"			1202B1068	washer x2 m12
.75	6	4754A8691	rear end rail	.10	15	1201B6068	nut x2
		4758-1141	expan. rivet w/rubber washer m25	.10		4759-8488	warning/caution decal
				.10		4739D1168	patent decal



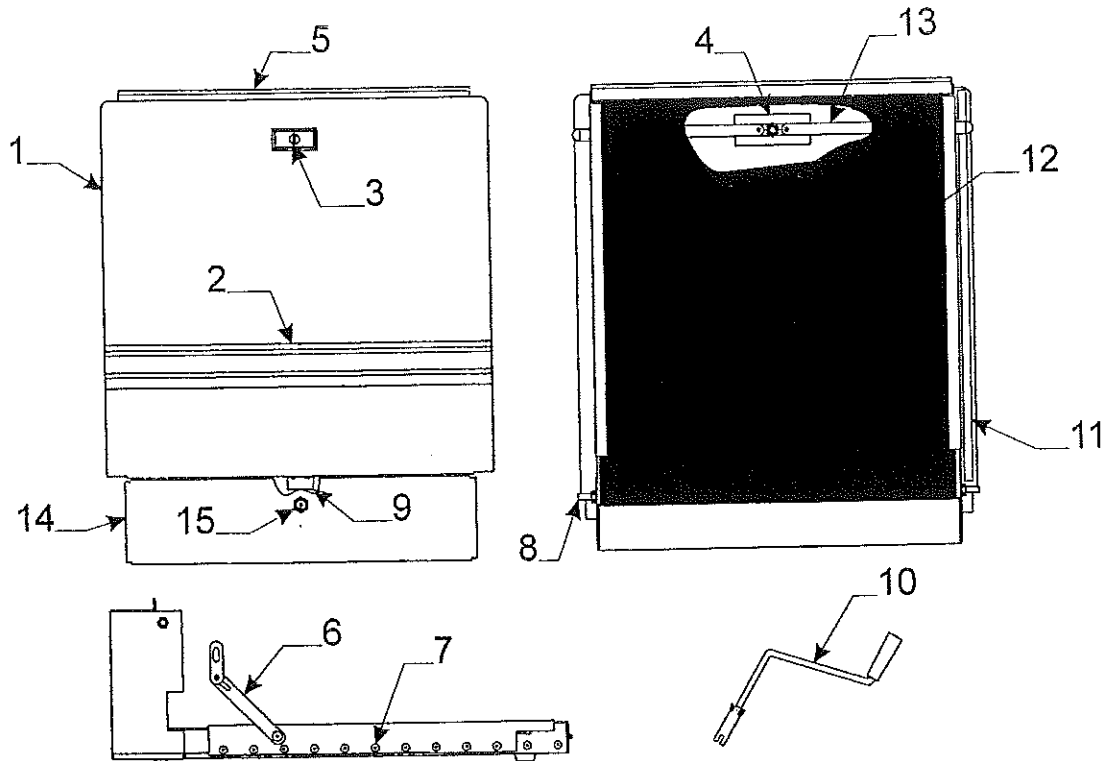


4716L8251 Curbside Trim Tape/Hardware Kit

Flat Rate	Curbside Right Rear Code	Body Pnl. & Components Part #	Description
1.00	1	4757D3071	csr body panel 3876 Sedona
1.00		4757B9631	csr body panel 3853, 3859
1.00		4754H9701	csr body panel 3892 Tacoma
1.00	2	4757B3081	csr body rail 3876 Sedona
1.00		4757A9661	csr body rail 3853, 3859
1.00		4754C9511	csr body rail 3892 Tacoma
.10	2A	4716-2771	vel-stick body rail pkg.
.15	3	4716-7061	inner/outer miter cover pkg.m4 Note: pkg. Includes rivets
.25	4	4734C4121	lift trim, rivets & gasket pkg. m4
		4733-3398	nylon flange bushing x2 per trim
.15	5	4741C6041	top latch w/out lock tab
		4749-4848	foam pad
.50	6	4716L8251	trim tape & hardware kit
.25	7	4746A3861	duplex cover & outlet
.35		4746-3871	duplex box
		1203-8678	rivet m25 (rivet box to pnl.)
.25	8	4752-9921	porch light
.10		4716-5511	porch light lens "amber"
	9	1203-8831	rivet m25
	10	4060050008P	1/2" x 1" foam tape(12' pkg.)
1.25	11	4750A8481	stove support brkt.
		4745-3968	screw
		4744C2461	torx screw m2
		1201B6958	nut x2
.25	12	4761-1958	Fleetwood decal



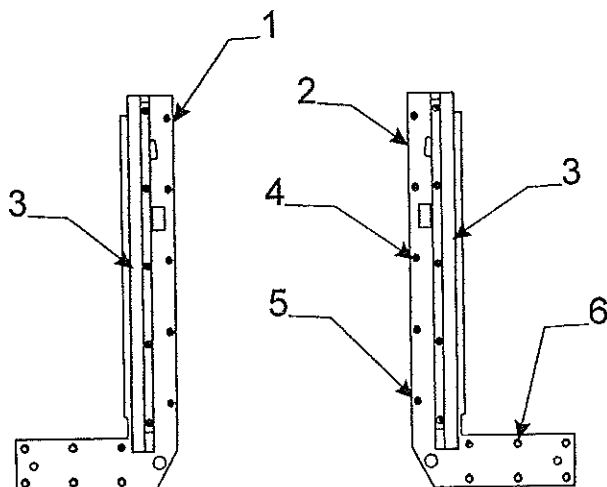
4716L8251 Curbside Trim Tape/Hardware Kit			
Curbside Right Front Body Pnl. & Components			
Flat Rate	Code	Part #	Description
.85	1	4757D3111	csf body panel 3876 Sedona
.85		4759-0731	csf body panel 3853 Laramie, 3859 Timberlake
.85		4756D9281	csf body panel 3892 Tacoma
1.00	2	4757-9651	csf body rail 3853, 3859
1.00		4757B3121	csf body rail 3876
1.00		4754C9501	csf body rail 3892 Tacoma
.10	3	4716-2771	vel-stick body rail pkg.
.15	4	4716-7061	inner/outer miter cover pkg. m4
.25	5	4734C4121	lift trim, rivets & gasket pkg. m4
		4733-3398	nylon flange bushing x2 per trim
.15	6	4741C6041	top latch w/out lock tab
		4749-4848	foam pad
.50	7	4716L8251	trim tape & hardware kit
	8	4060050008P	1/2" x 1" foam tape pkg.(12' pc.)
.25	9	4757B3348	Sedona name decal 3876
.25		4758A0608	Laramie name decal 3853
.25		4767-1498	Timberlake name decal 3859
.25		4759-1218	Tacoma name decal 3892



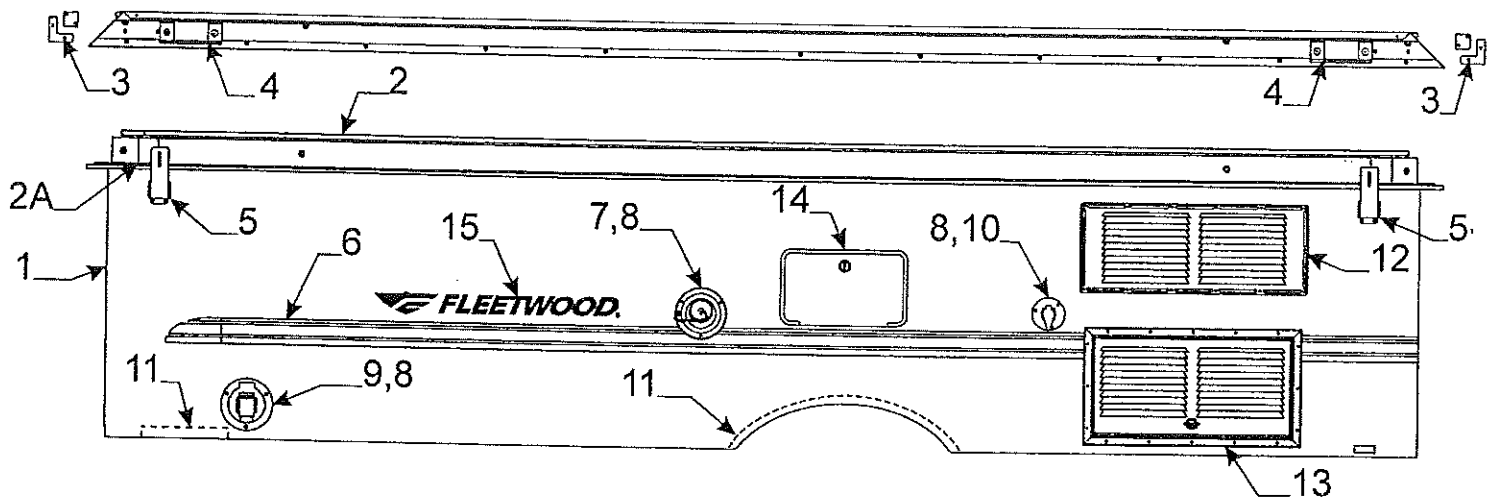
4768-6811 Access Door Assembly "complete" less trim tape

FLAT RATE 1.25 complete door assembly

Flat Rate	Access Door Component Parts	Flat Rate	Access Door Bulkheads & Components		
Code	Part #	Description	Code	Part #	Description
1.00	1	4759-0661 door skin	8	1006B2428	bolt x2
	2	4350002047P trim tape pkg. (16' pc.)		1201B5188	nut (to affix bolt to door)
1.00	3	4730C3111 lock handle (with key)		1201B6448	nut (affix door to to trailer)
		4716-081 screw x2		1202B0468	washer m10
		1201B6958 keps nut x2	.10	9	4747A2521 latch angle w/rivets
1.00	4	4741-1438 reinforcement plate		10	4747G4141 crank handle
.25	5	4731E2331 access door cap	.20	11	4060025006P foam tape pkg. (4' pc.)
		1203-8651 rivet m25	1.00	12	4758B4711 step covering "black flextrud"
.15	6	4744-6981 swing arm pkg. (w/rivet & washer)	1.00	13	4741A6551 lock bar assembly
		1203C8721 rivet m25	.25	14	4754-6921 lower dr. w/hinges - less lock
		1202B0468 washer m10			1203-8951 rivet m25 (affix door in place)
	7	4733G0601 rivet "black" m25	.25	15	4751D8301 lock assembly w/o-ring

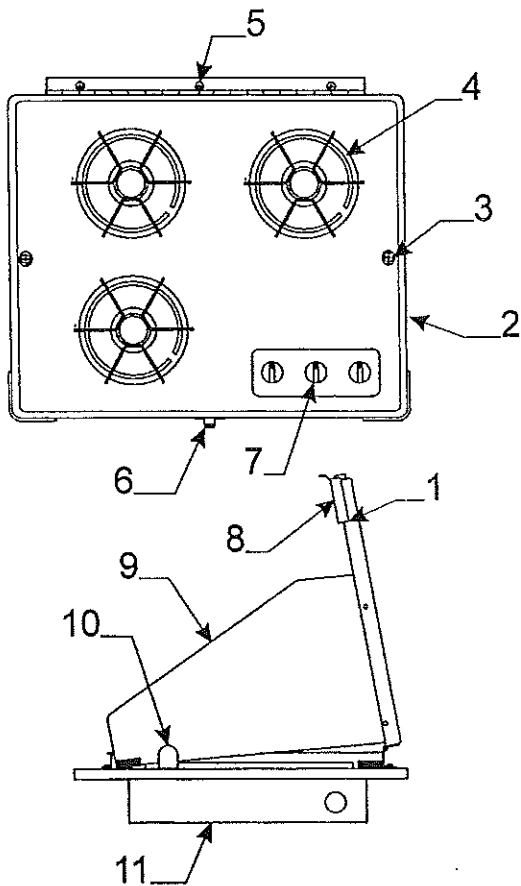


Flat Rate	Access Door Bulkheads & Components	
Code	Part #	Description
1.25	1	4768-6821 csf bulkhead (all)
1.25	2	4768-6831 csr bulkhead (all)
.35	3	4745B0811 rubber door seal
	4	1203-8641 rivet m25
	5	1203-8978 countersunk rivet m25
	6	4744A0501 hex head tek screw m25

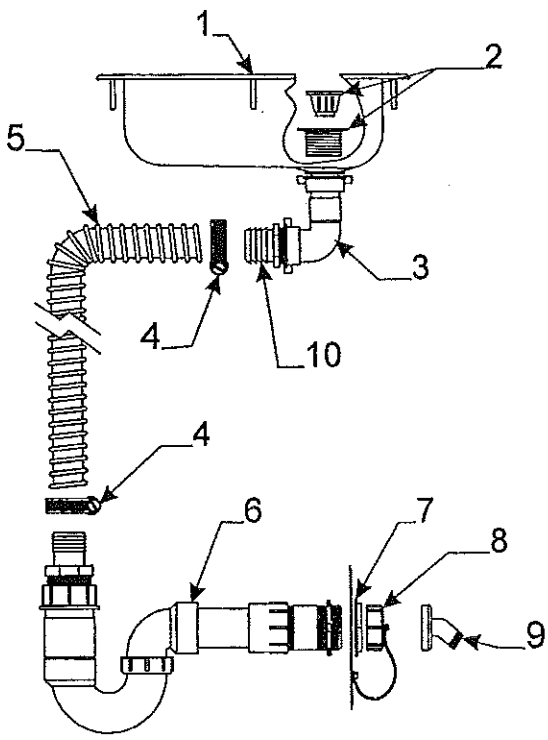


- * Add .50 For Heater Vent
- * Add 1.00 For Refrigerator
- * Add .50 For Hot Water Heater

4716K8261 Roadside Trim Tape/Hardware Kit				
Roadside Left Body Panel & Components				
Flat Rate	Code	Part #	Description	
*2.00	1	4757E3091	left side body pnl. 3876 Sedona	
*2.00		4759-0721	left side body pnl. 3853 Laramie	
*2.00		4767-1481	left side body pnl. 3859 Timberlake	
*2.00		4754N2141	left side body pnl. 3892 Tacoma	
3.00	2	4757A3101	left side body rail 3876 Sedona	
3.00		4757-9641	left side body rail 3853, 3859	
3.00		4754D9521	left side body rail 3892 Tacoma	
.10	2A	4716-2771	vel-stick body rail pkg.	
		4757-0731	wire grommet & nut	
.15	3	4716-7061	inner/outer miter cover pkg. m4	
			Note: pkg. includes rivets	
.25	4	4734C4121	lift trim, rivets & gasket pkg. m4	
.15	5	4741C6041	top latch w/lock tab	
		4749-4848	foam pad	
.50	6	4716K8261	trim tape & hardware kit	
.30	7	4731D1711	water tank spout	
	8	4741-3508	hex head tek screw x3	
.15	9	4733B23361	cable hatch	
.30	10	4732F1521	city fill	
	11	4060050008P	1/2" x 1" foam tape pkg. (12' pc.)	
.50	12	4747D8321	refrigerator vent "upper"	
		4745-3968	painted screw arctic wht. x4 per vent	
.50	13	4747D8331	refrigerator vent hinged "lower"	
.25	14	4750B5861	o/s shower complete	
.15		4716-2181	shower head	
.20		4716-2191	shower hose	
.15		4750A2961	lock assy. w/key	
.10	15	4761-1958	Fleetwood decal	

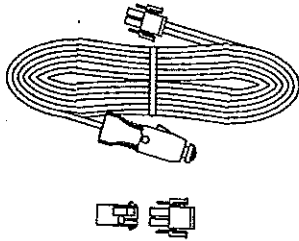


Flat Rate	Code	Part #	Description
Stove Component Parts (Upper Galley Assy.'s)			
.15	1	4749F6601	stove cover assy. 3876,53,59
.15		4741G6261	stove cover assy. 3892
.15	2	4746B9491	2 burner cook top "white" 3876,53,59
		4746B8561	3 burner cook top "white" 3892
.05	3	4716-2631	stove top screw/washer m2
.05	4	4752A9881	stove grate x3
.10	5	4716-2671	stove cover hinge
.15	6	4733-4018	stove cover latch
.15		4733-4028	stove cover strike
.05	7	4716A1861	knob
	8	4732A2291	edge molding m2
.25	9	4716-2661	stove fin "right"
.25		4716-2651	stove fin "left"
.15	10	4716-2641	stove fin stay brkt. m2
.75	11	4748D2581	2 burner stove box 3876,53,59
.75		4739H2931	3 burner stove box 3892

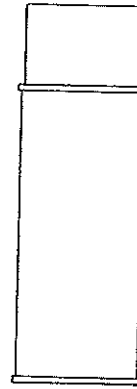
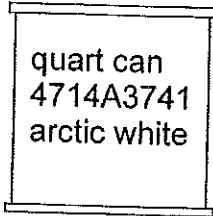
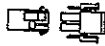


Flat Rate	Code	Part #	Description
Sink & Component parts			
.30	1	4710F0301	sink "stainless"
.05	2	4714C0661	crumb cup "only" (wht. threaded)
.25		4730E3151	crumb cup & basket
.40	3	4757-0861	elbow pkg.
Note: pkg. includes elbow, washer, nut and adapter			
		4757-9131	1 1/4" rubber washer
	4	4715-4501	1 1/4" hose clamp
.80	5	4060012503P	1 1/4" drain hose pkg. (10' pc.)
Note: must cut hose to length			
.75	6	4758C5431	drain trap assy. 3876,53,92
.75		4767B5811	drain trap assy. 3859
	7	4757-0921	1 1/2" metal nut "white"
.10	8	4714A2861	cap & strap
	9	4737-9138	drain adapter
.40	10	4757A0871	adaptor 1 1/4" barb

4733D6701 auto extension



4716A4701 12 volt cap & plug m2



16 oz. spray

0008-2561 arctic white

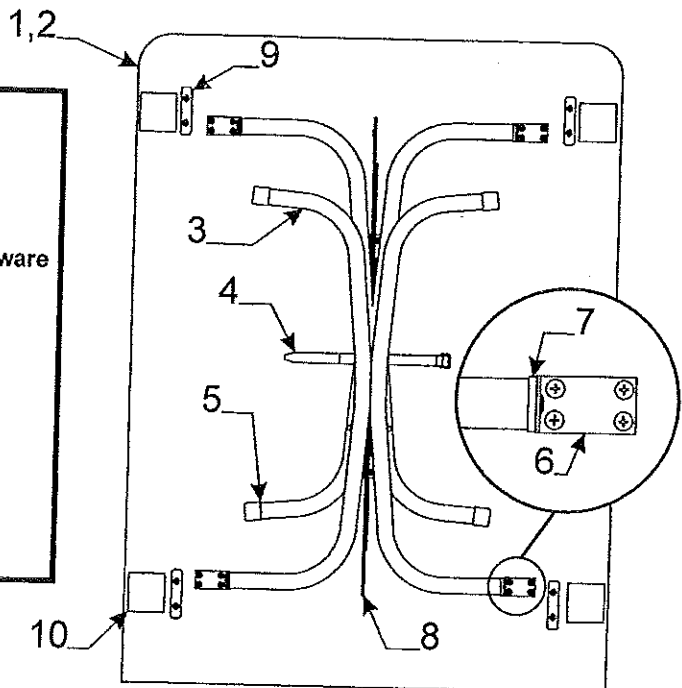
0008-2571 black

0008-2641 black textured

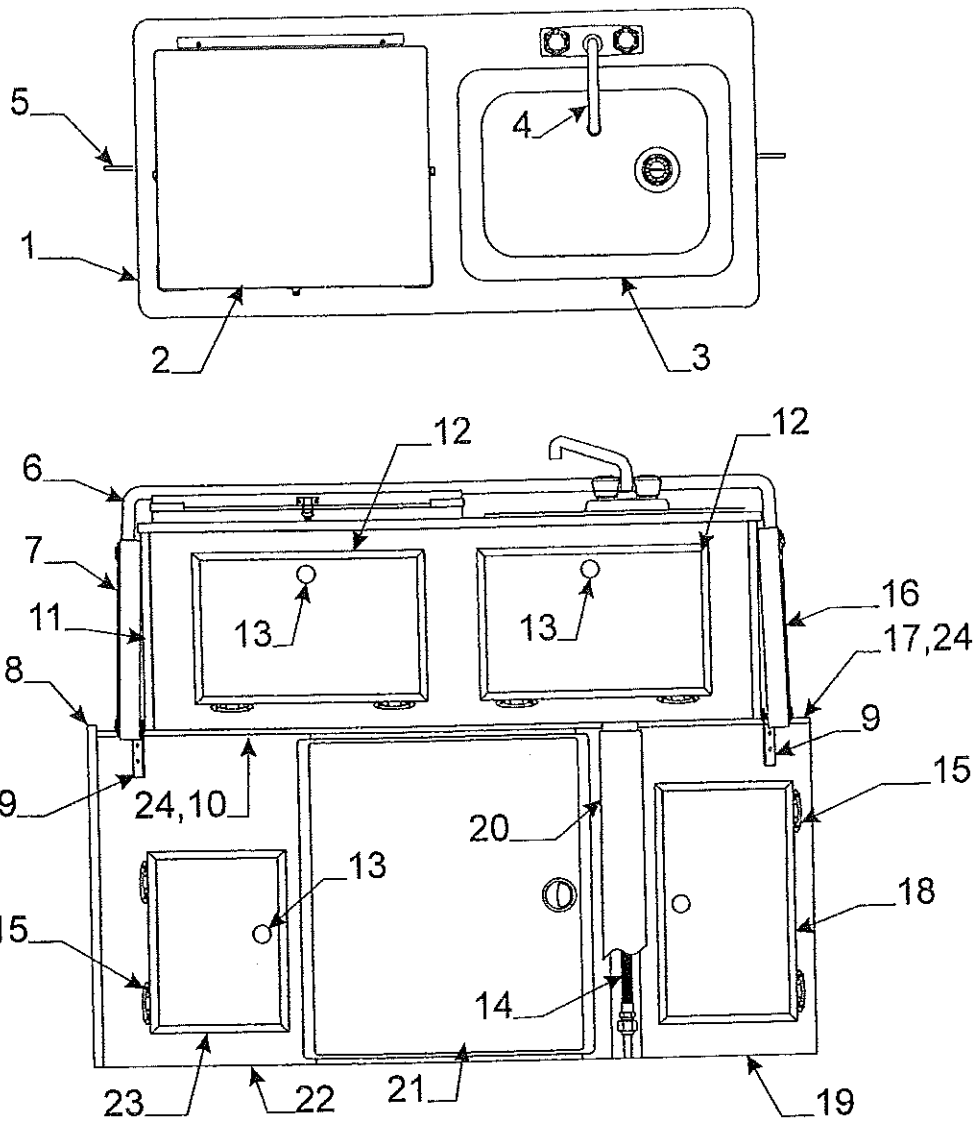
0008-2631 russian maple



4745-3908
caulking
arctic white

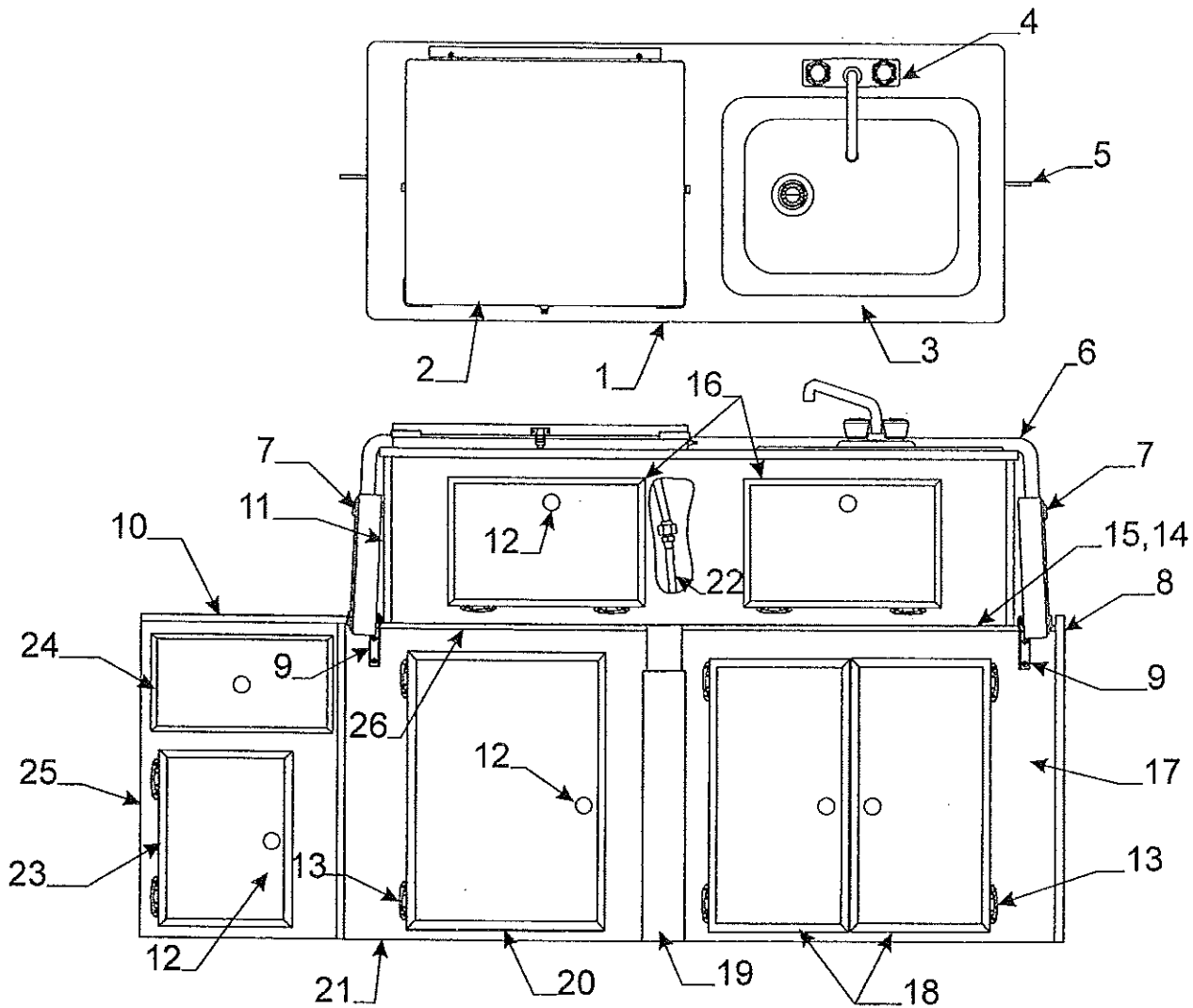


Flat Rate	Dinette Table Assembly Components
Code	Part # Description
.50	1 4756B8461 table top (30" x 39") (all)
.30	2 4060475001P t-molding pkg. (14' pc.)
.50	3 4745J5271 table leg package
Note: pkg. includes 2 legs & required mounting hardware	
.10	4 4751A9711 strap & screw pkg.
.10	5 4752-0551 white plastic cap m2
.15	6 4720F1211 table leg mounting brace m2
	1103E1018 5/8" wood screw
.15	7 4752A0561 table leg insert cap m2
.25	8 4744-6971 lock brace assy. x2
	1103E1018 5/8" wood screw
.15	9 4756-8741 table top plastic spacer m4
	1103B08148 7/8" screw (x2 per spacer)
.05	10 4724D2631 velcro fastener m4



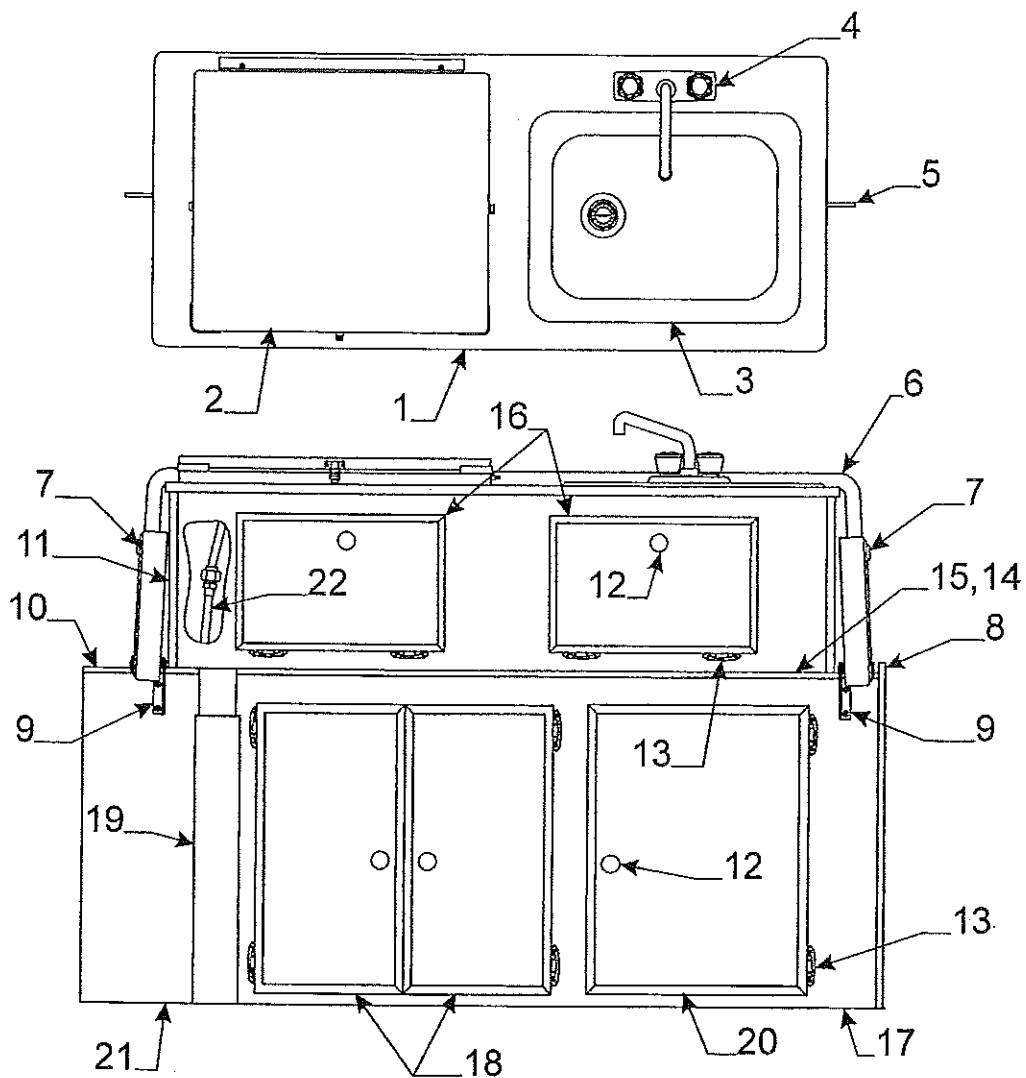
* Add .50 With Furnace

Flat Rate	Upper/Lower Galley Code	Components - 3853, 3876 Part #	Description	Flat Rate	Code	Part #	Description
1.25	1	4759-3181	galley top (all)	.65	11	4716D0151	3/8" f-channel 24" pc.
.30		4060475001P	t-molding pkg. (14' pc.)	.15	12	4758-3131	door pnl. 14 1/4" x 10"
	2	Note: refer to page 14 for stove components				4733-6391	latch & strike pkg.
.30	3	4710F0301	sink "stainless steel"	.10	13	4748A3951	door pull w/screws
		Note: refer to page 14 for sink components		.25	14	4753-5581	flexible gas hose (all)
1.00	4	4745E2741	mixer faucet	.10	15	4745C26188	hinge (spring loaded)
.75	5	4756A6631	upper galley pivot brkt. (lt. & rt.)	.15	16	4757B1951	plastic chain cover (right)
		4734E1861	rivet "elm" m25	1.00	17	*4754B8381	lower galley top rt.
1.00	6	4756F1511	galley lift bar	.15	18	4758-3101	door pnl. 18 1/2" x 8 3/4"
		4744-6321	chain assy x2 per bar	1.00	19	4754C8401	lower galley frt. rt. (all)
.15	7	4757B1941	plastic chain cover (left)	.25	20	4750F6731	filler assembly (all)
.75	8	*4758-0871	seat gazoodi	.50	21	4754A0481	built-in cooler (all)
.30		4060400091P	lipped t-molding 12' pc. pkg.	.75	22	*4754C8421	lower galley frt. lt. (all)
.60	9	4716A1821	lower galley brkt. pkg.	.15	23	4758-4041	door pnl. 12" x 9 1/8"
1.00	10	*4758-8421	lower galley top lt.	.10	24	4060175000P	edge trim wood grain 6' pc.
.20		4746C0971	kill switch m4				
.10		4733C4981	rocker switch (elec. pump)				



* Add .50 with furnace

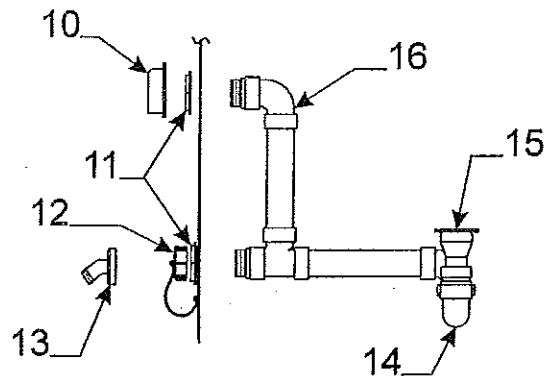
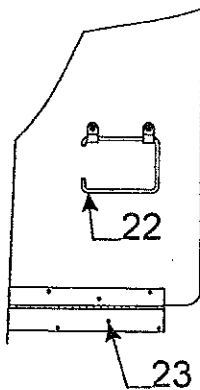
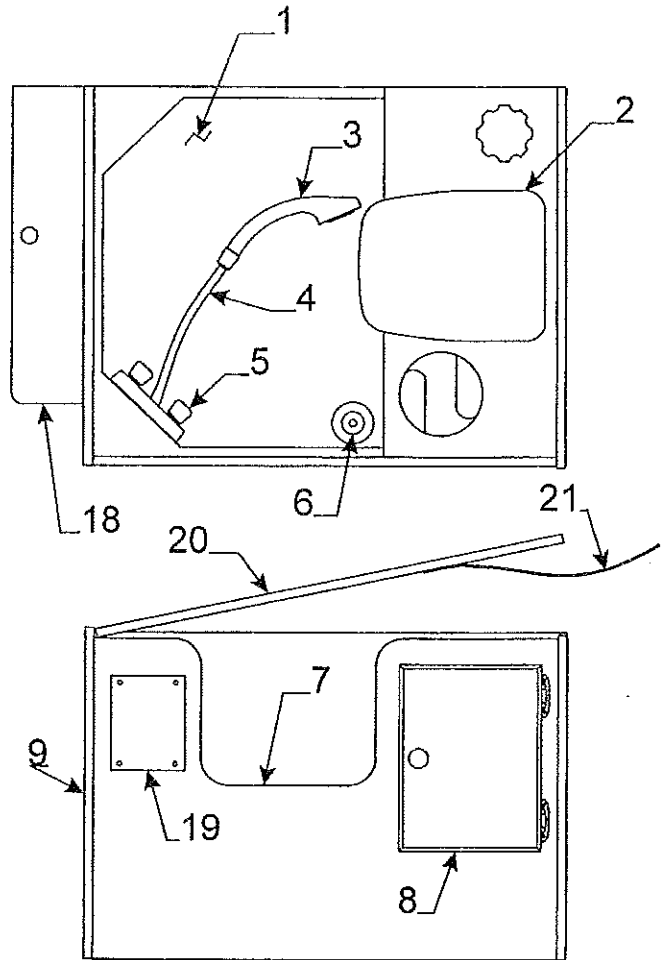
Flat Rate	Upper/Lower Galley Code	Part #	Components - 3892 Tacoma Description	Flat Rate	Code	Part #	Description
2.00	1	4759-3231	galley top	.10	13	4745C26188	hinge (spring loaded)
.30		4060475001P	t-molding pkg. (14' pc.)	.10	14	4060175000P	1/2" x 3/4" trim angle 6' pc.
.80	2	Note: refer to page 14 for stove components		1.00	15	4757D8151	lower galley top rt.
	3	4710F0301	sink "stainless steel"	.20		4746C0971	kill switch m4
			Note: refer to page 14 for sink components	.20		4733C4981	rocker switch (elec. pump)
1.00	4	4745E2741	mixer faucet	.15	16	4758A4271	door panel 13" x 8"
.75	5	4752A9271	upper galley pivot brkt. (lt. & rt.)	1.00	17	4733-6391	latch & strike pkg.
		4734E1861	rivet "elm" m25	.15	18	4757A8161	lower galley front rt.
1.00	6	4756B4071	galley lift bar	.25	19	4758-3101	door panel 8 3/4"x 18 1/2"
.15		4757-6341	chain assy x2 per bar	.15	20	4750F6731	filler assembly
.15	7	4757B1911	plastic chain cover (left)	1.00	21	4758-4561	door panel 18 1/2"x 13 3/4"
.15		4757B1921	plastic chain cover (right)	.45	22	4757-8171	lower galley front lt.
.75	8	4755B2901	seat gazoodi	.15	23	4753-5581	flexible gas hose 48"
.30		4060400091P	lipped t-molding 12' pc. pkg.	.15	24	4758-4041	door assy. 12" x 9 1/8"
.60	9	4716A1821	lower galley brkt. pkg.	.15		4758-4271	drawer pnl.
1.00	10	4756B8791	cabinet top	.15		4767-6981	drawer assy.
		4747-8941	black plastic cap m2	Note: refer to page 29 for drawer components			
	11	4716D0151	3/8" f-channel 24"pc.	.75	*25	4756B8771	cabinet front
	12	4748A3951	door pull w/screws	.75	26	4757F0051	lower galley top lt.



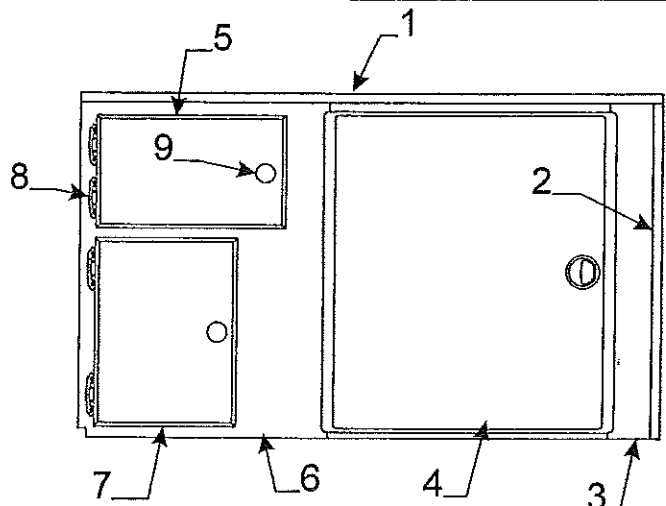
* Add .50 with furnace

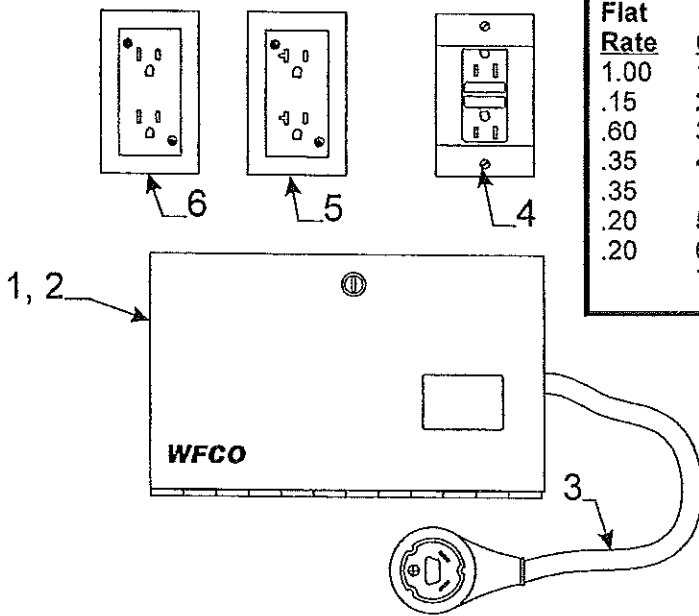
Flat Rate	Code	Part #	Description	Flat Rate	Code	Part #	Description
2.00	1	4767-1351	galley top	.65	11	4716D0151	3/8" f-channel 24"pc.
.30		4060475001P	t-molding pkg. (14' pc.)	.10	12	4748A3951	door pull w/screws
.80	2	Note: refer to page 14 for stove components		.10	13	4745C26188	hinge (spring loaded)
	3	4710F0301	sink "stainless steel"	.10	14	4060175000P	1/2" x 3/4" trim angle 6' pc.
1.00	4	4745E2741	mixer faucet	1.00	15	4767A1231	lower galley top rt.
.75	5	4752A9271	upper galley pivot brkt. (lt. & rt.)	.20		4746C0971	kill switch m4
		4734E1861	rivet "elm" m25	.20		4733C4981	rocker switch (elec. pump)
1.00	6	4767-0971	galley lift bar	.15	16	4758-3131	door panel 10" x 14 1/4"
		4757-6341	chain assy x2 per bar	1.00		4733-6391	latch & strike pkg.
.15	7	4757B1911	plastic chain cover (left)	1.00	17	4767A1241	lower galley front rt.
.15		4757B1921	plastic chain cover (right)	.15	18	4758-3101	door panel 8 3/4" x 18 1/2"
.75	8	4767-1071	lower galley side rt.	.25	19	4750F6731	filler assembly
.60	9	4716A1821	lower galley brkt. pkg.	.15	20	4758-4561	door pnl. 18 1/2" x 13 3/4"
1.00	10	4767A1261	lower galley top lt.	1.00	21	4767A1261	lower galley front lt.
				.45	22	4753-5581	flexible gas hose 48"

Flat Rate	Code	Part #	Description
1.50	1	4754-7201	shower pan & cabinet assy.
.75	2	4746C2461	cassette potty
.15	3	4746A3761	shower head w/bracket
.20	4	4741B2051	shower hose (72" length)
.50	5	4741B2071	shower diverter
.10		4716-0848	shower hose connector
.50	6	4746A1821	basket & strainer
1.50	7	4767-1131	shower threshold
.30		4060300083P	t-molding (threshold) (12' pc.)
.15	8	4758-3041	door pnl. 14 1/2" x 11 3/4"
.75	9	4767-1111	shower wall
.30		4060400091P	1/2" t-molding pkg. (12' pc.)
.20	10	4757-9261	vent cover "plastic"
.50	11	4757-0921	metal nut "white"
.10	12	4714A2861	cap & strap
	13	4737-9138	drain adapter
.40	14	4752-3621	p-trap w/union joint
	15	4757-8561	drain plug adapter
1.00	16	4741B9301	vent system
	17	4741D6361	tub package (Not Shown)
	18	4767-1061	tub storage cover w/hole
		4747-8941	black plastic cap m2
	19	4757A2171	access cover
.40	20	4754-7191	shower cover board
.15	21	4754-7401	hold-up strap
.15	22	4756-9121	TP holder
		4747-2531	1/4" nylon clamp m2
.25	23	4756-4441	shower board hinge



Flat Rate	Code	Part #	Description
.25	1	4767-1171	hutch top
.30		4060462506P	t-molding pkg. (10' pc.)
		4747-8941	black plastic cap m2
.30	2	4767-1211	hutch side
.75	3	4767A1201	hutch front rt.
.25	4	4754A0481	built-in cooler
.25	5	4767-1551	door pnl. 11 1/2" x 7"
.75	6	4767B1181	cabinet front "left"
.15	7	4758-4041	door pnl. 9 1/8" x 12"
.10	8	4745C26188	hinge (spring loaded)
.10	9	4748A3951	door pull (includes screw)

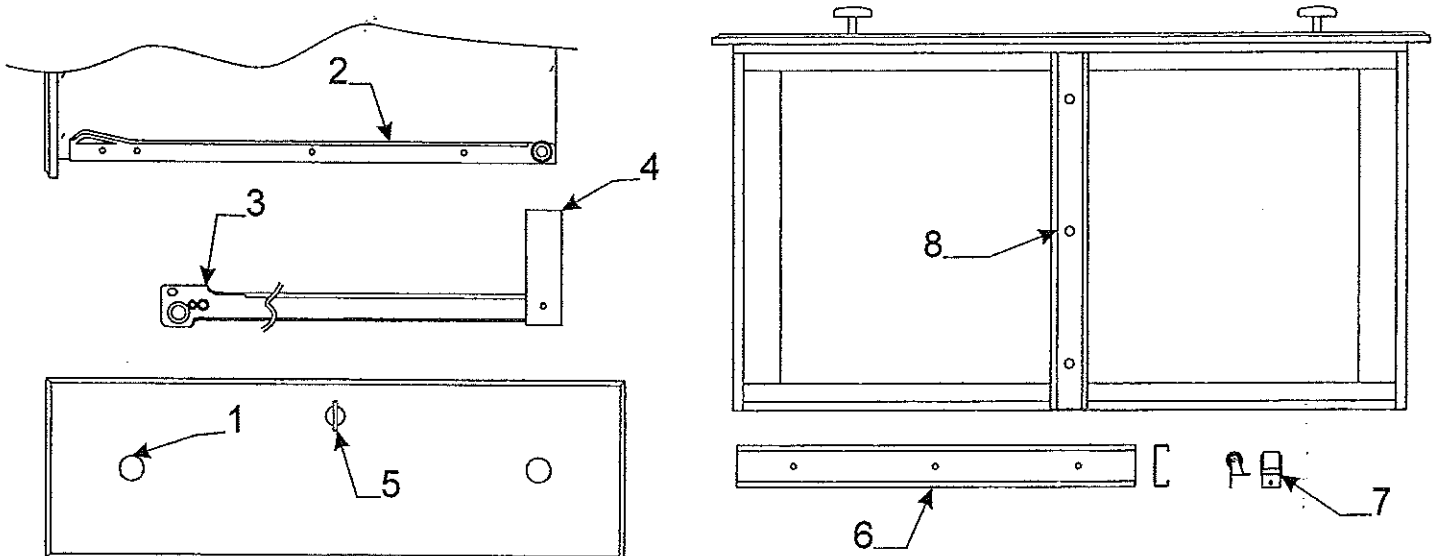


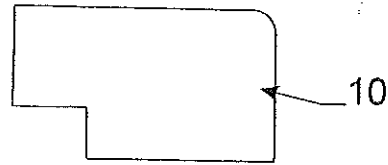
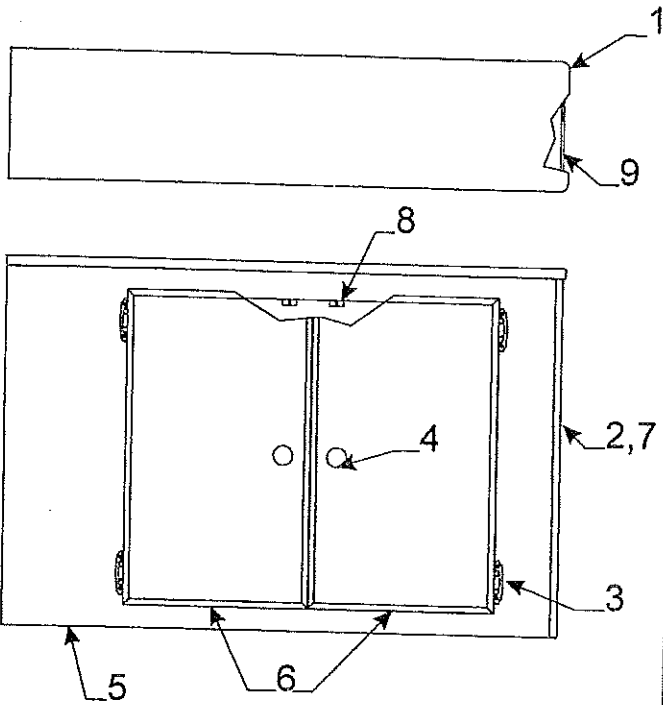


Flat Rate	Code	Part #	Description
1.00	1	4753C8201	converter 25 amp WFCO
.15	2	4716B1301	converter face cover (plastic)
.60	3	4744A3101	power cord 31 ft.
.35	4	4746B3841	GFI receptacle w/cover (wht.)
.35		4755-8321	20 amp GFI receptacle w/cover (wht.)
.20	5	4752-2371	20 amp receptacle w/cover (wht.)
.20	6	4752-2361	15 amp receptacle w/cover (wht.)
	7	4746A3851	receptacle box

WORLD FRIENDSHIP CO., LTD
 Warranty: 800-900-2468

Flat Rate	Code	Part #	Description
.10	1	4748A3951	door pull w/screw
.50	2	4716-8841	16" drawer guide pkg.
.50	3	4716-8911	22" drawer guide/socket set (Must cut to length)
.25	4	4758-173	drawer guide brkt. 12 1/4"
.25		4758-292	drawer guide brkt. 14"
.15	5	4757A9081	brass thumb turn lock
.25	6	4757-8891	14" metal drawer guide
.10	7	4757-8911	drawer roller
.25	8	4757-8901	17" pvc i-beam drawer guide

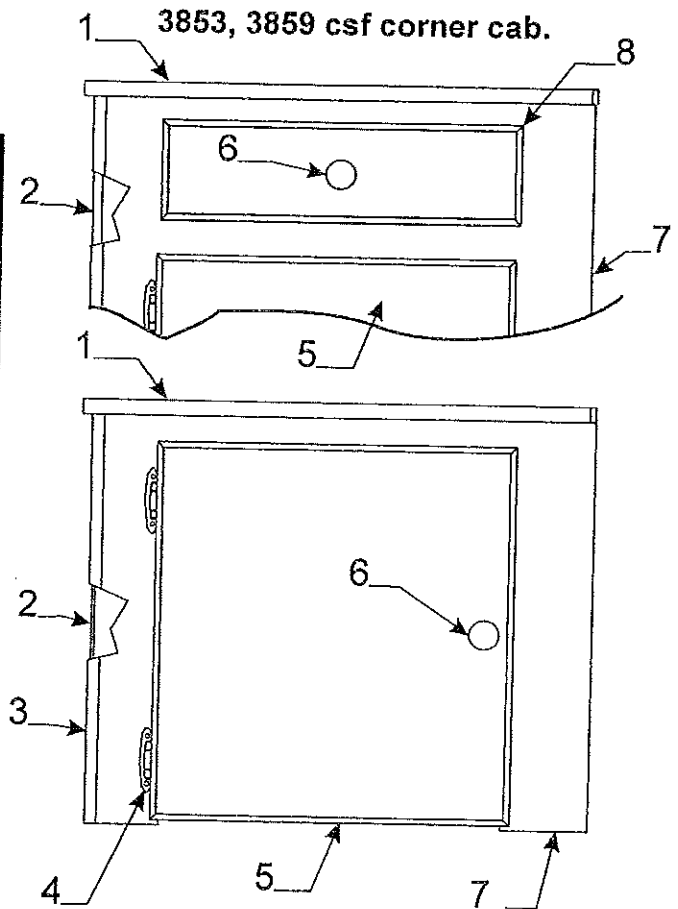


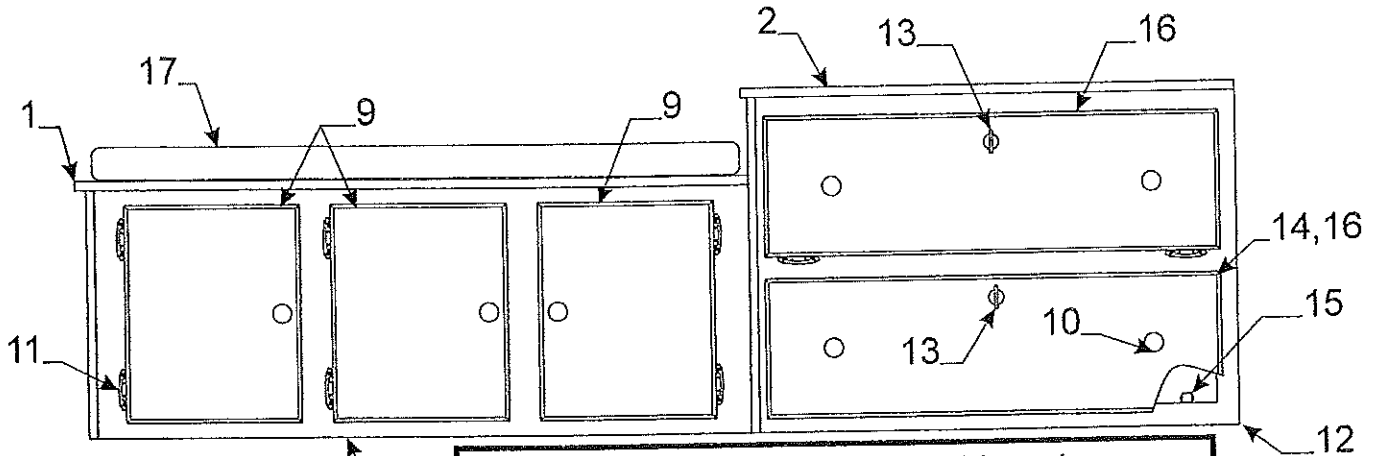


Doorway Hutch Assembly - 3859 Timberlake, 3892 Tacoma Flat

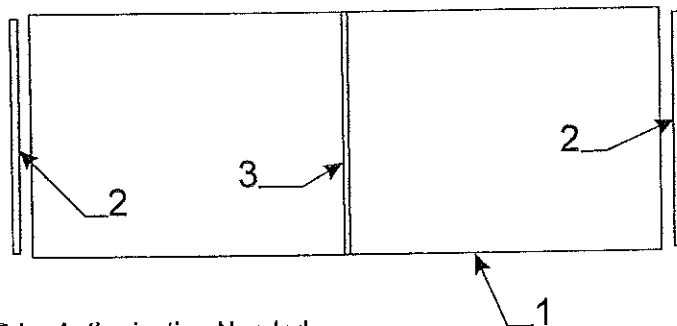
Rate	Code	Part #	Description
.25	1	4755C3851	cabinet top 3892
.25		4767-1001	cabinet top 3859
.30		4060475001P	t-molding pkg. (14' pc.)
.35	2	4716C0151	3/8" f-channel 24" pc.
.10	3	4745C26188	hinge (spring loaded)
.10	4	4748A3951	door pull (includes screw)
.30	5	4752H4691	cabinet side 3892
.30		4767-0981	cabinet side 3859
.15	6	4758-4561	door pnl. 18 1/2" x 13 3/4" - 3892
.15		4758-3061	door pnl. 18 1/2" x 12" - 3859
	7	Note: refer to page 20 for fire extinguisher	
.15	8	4733-6391	latch & strike pkg.
.30	9	4752H4951	cabinet front 3892
.30		4767-099	cabinet front 3859
.30	10	4767-1011	gazoodi 3859
.30		4060400091P	lipped t-molding 12' pc. pkg.

Flat Rate	Code	Part #	Description
.25	1	4756C4701	csf cabinet top 3876 Sedona
.25		4758-2961	csf cabinet top 3853, 3859
.30		4060462506P	t-molding pkg. (10' pc.)
.30	2	4756D4671	cabinet side 3876
.30		4754F1841	cabinet side 3853, 3859
.35	3	4716D0151	3/8" f-channel 24" pc.
.10	4	4745C26188	hinge (spring loaded)
.15	5	4758A4671	door pnl. 17" x 16 5/8" 3876
.15		*4758-3061	door pnl. 18 1/2" x 12" 3876
.15		4758-4261	door pnl. 15 1/8" x 15 1/8" 3853,59
*Note: door pnl. used on lg. cab. side of 3876			
.15		4733-6391	latch & strike pkg.
.10	6	4748A3951	door pull (includes screw)
.50	7	4759-0961	cabinet front 3876
.50		4754C8211	cabinet front 3853, 3859
.15	8	4767B5451	drawer assy. 3853, 3859
.15		4758-3081	drawer front 14 3/4" x 4 3/4"



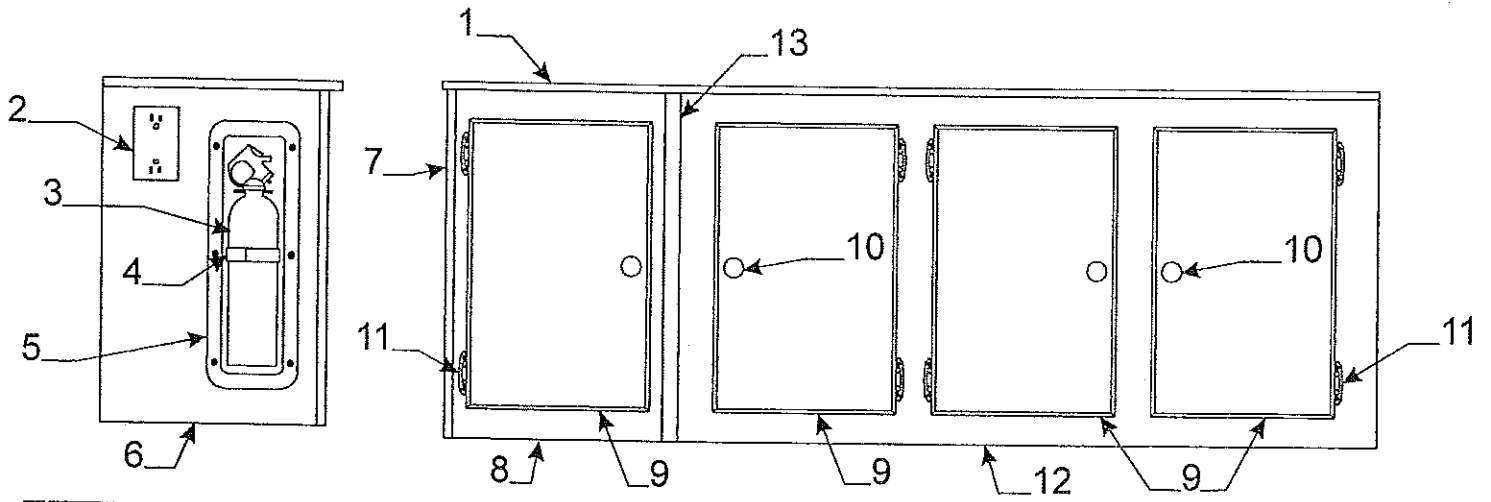


Flat Rate	Code	Part #	Description
.75	1	4758B1861	hutch top "long"
.30		4060475001P	t-molding pkg. (14' pc.)
.75	2	4758A0251	hutch top "short"
.30		4060475001P	t-molding pkg. (14' pc.)
.10	3	4737A5558	fire extinguisher
.05	4	4716-1191	fire extinguisher strap m2
.15	5	4737B4198	recessed mount
		4738-3088	screw x6
.55	6	4758A2351	hutch side
.35	7	4716D0151	3/8" f-channel 24" pc.
.50	8	4758A0241	hutch front "long"
.15	9	4758-3041	door pnl. 14 1/2" x 11 3/4"
.10	10	4748A3951	door pull (includes screws)
.10	11	4745C26188	hinge (spring loaded)
1.00	12	4758-4361	hutch front "short"
.15	13	4757A9081	brass thumb turn lock
.15	14	4759B6751	drawer assy.
.10	15	4757-8911	drawer roller guide m2
.15	16	4758-8491	dr./drw. panel 9 1/4" x 30 1/4"
	17	4758A2211	hutch seat cushion assy.
		4716A2211	cushion cover



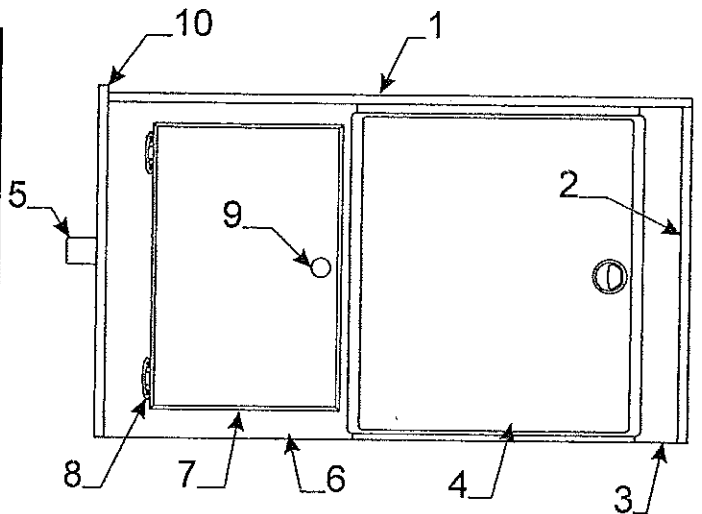
* Prior Authorization Needed

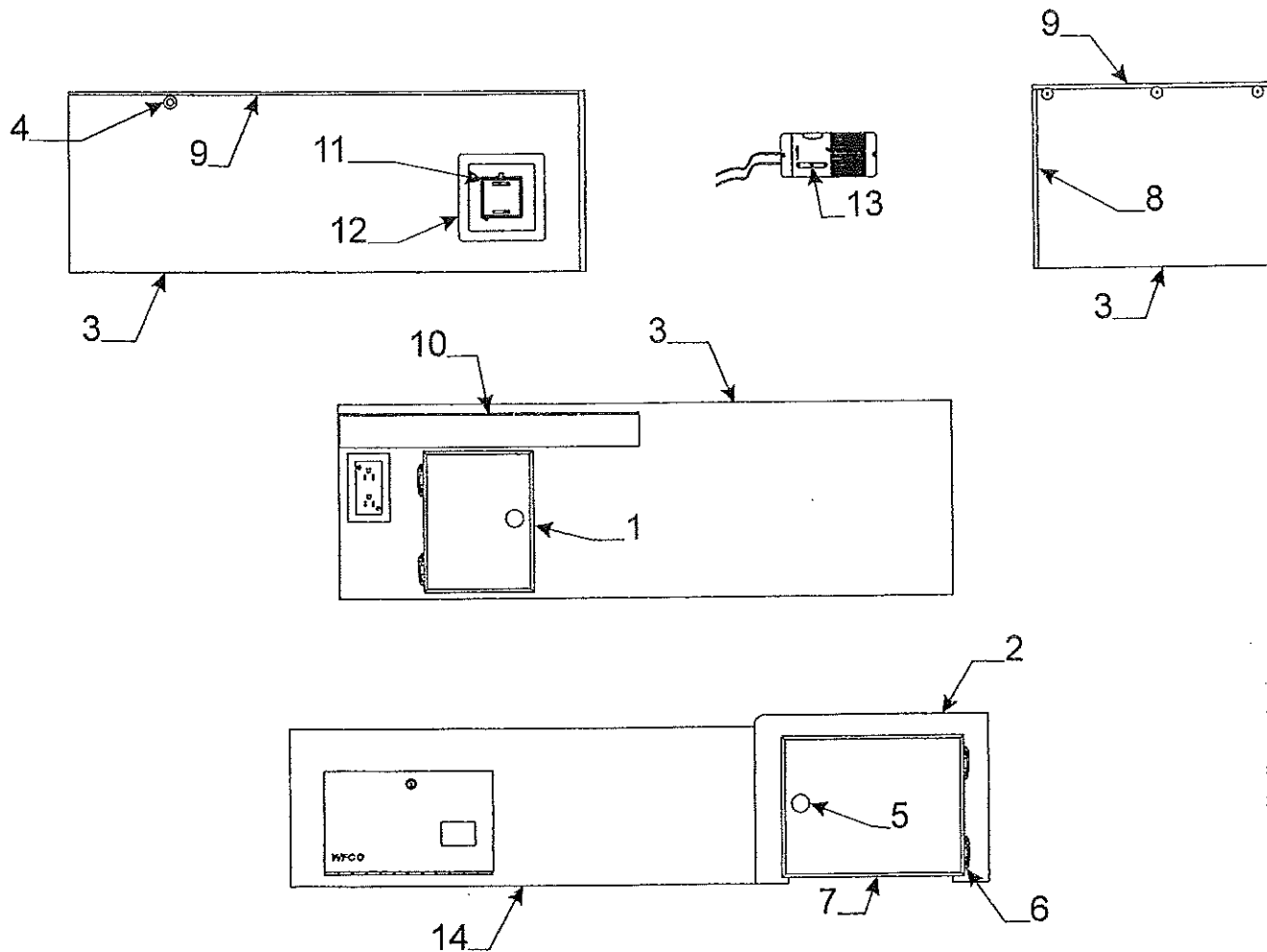
Flat Rate	Code	Part #	Description
*	1	4754E1361	universal wall panel 48" x 23 13/16"
*	2	4716C1321	universal corner divider m2 48" pc.
*	3	4716C1331	universal panel divider m2 48" pc.



Flat Rate	Code	Part #	Description	Flat Rate	Code	Part #	Description
.75	1	4759-1621	hutch top	.55	6	4754D0521	hutch side
.30		4060462506P	t-molding pkg. (10' pc.)	.65	7	4716D0151	3/8" f-channel 24" pc.
.20	2	4752-2361	15 amp receptacle	.50	8	4754F0491	hutch front "small"
.10	3	4737A5558	fire extinguisher	.15	9	4758-3061	door panel 12" x 18 1/2"
.05	4	4716-1191	fire extinguisher strap m2	.10	10	4748A3951	door pull (includes screws)
.15	5	4737B4198	recessed mount	.10	11	4745C26188	hinge (spring loaded)
		4738-3088	screw x6	1.00	12	4757A3391	hutch front "large"
				.50	13	4754C054	3/8" h-channel 22 1/8" pc.

Flat Rate	Code	Part #	Description
.25	1	4752F4601	hutch top
.30		4060462506P	t-molding pkg. (10' pc.)
.30	2	4757-8771	cabinet side
.75	3	4755D4641	cabinet frt. rt.
.25	4	4754A0481	built-in cooler
.25	5	4754B0901	galley rest (plastic)
.75	6	4752J4551	cabinet front "left"
.15	7	4758-4561	door pnl. 18 1/2" x 13 3/4"
.10	8	4745C26188	hinge (spring loaded)
.10	9	4748A3951	door pull (includes screw)
.75	10	4755B2901	gazoodi
.30		4060400091P	lipped t-molding (12' pc. pkg.)

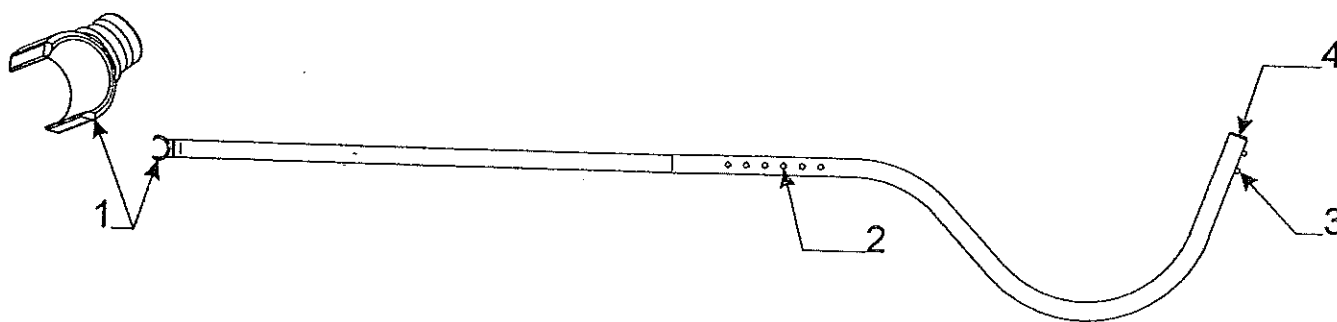
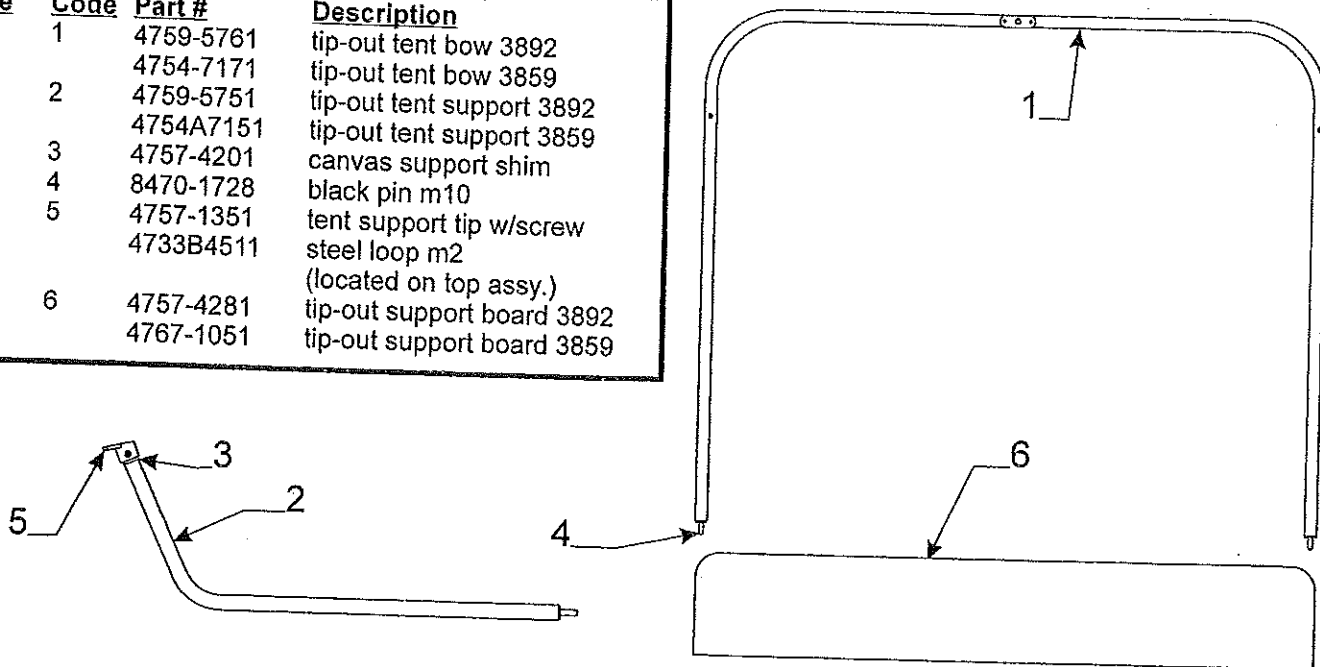




* Warranted Through Vendor

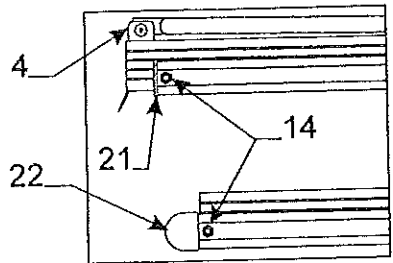
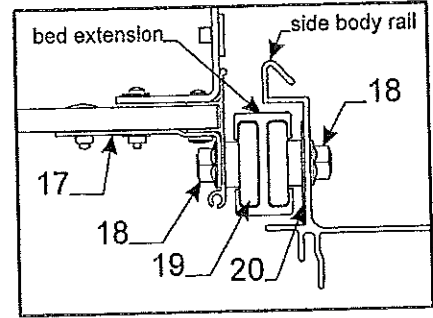
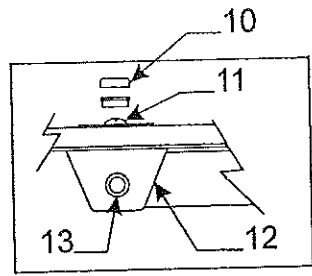
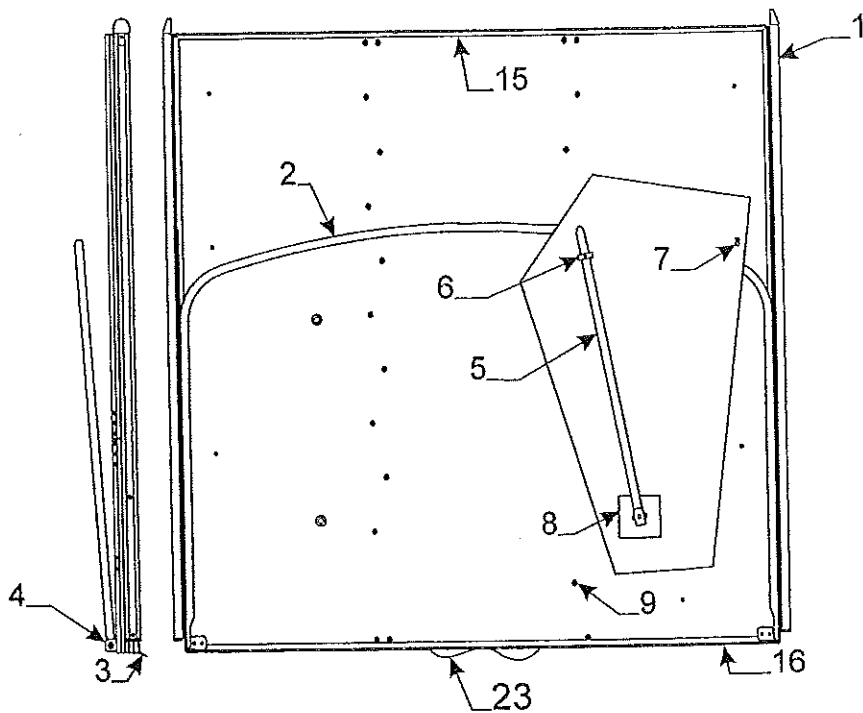
Flat Rate	Code	Part #	Description
.15	1	4758-4041	door pnl. 9 1/8" x 12"
.35	2	4752E4771	seat end w/door cutout csf bench 3892
.30		4060450003P	t-molding 1/2" lipped (12' pc. pkg.)
.50	3	4716B2721	bench panel 14 1/2" x 48"
Note: seat bench ends must be cut to size where applicable			
.05	4	4724-2608	stop button
		1103B1012	#10 - 3/4" screw
.10	5	4748A3951	door pull w/screws
.10	6	4745C26188	hinge (spring loaded)
.15	7	4758-3111	door panel 16" x 12 1/4" 3892
.35	8	4716B1421	5/32" f-channel 24" pc.
.50	9	4060015603P	5/32" u-channel 48" pc.
.50	10	4752B4731	cushion rest (must cut to size) 3892
*	11	4752A8461	thermostat
.20	12	4747-8391	plastic base & bracket
.25	13	4753-9171	lp gas detector

Tip-out Tent Bow 3859-Timberlake, 3892 Tacoma			
Flat Rate	Code	Part #	Description
.10	1	4759-5761	tip-out tent bow 3892
.10		4754-7171	tip-out tent bow 3859
.05	2	4759-5751	tip-out tent support 3892
.05		4754A7151	tip-out tent support 3859
.10	3	4757-4201	canvas support shim
.20	4	8470-1728	black pin m10
.10	5	4757-1351	tent support tip w/screw
		4733B4511	steel loop m2 (located on top assy.)
.10	6	4757-4281	tip-out support board 3892
.10		4767-1051	tip-out support board 3859



Tent Support Components			
Flat Rate	Code	Part #	Description
.20	1	4757-4301	tent support clasp m10
.10	2	4734-6708	spring assy.
.10	3	4734A6708	spring assy.
.10	4	4730B4648	tube closure "white"
.10		4752A0561	tube closure "black" m2

Tent Support Assemblies (Complete)		
Flat Rate .10 per Tent Support		
Model	Front Bed	Rear Bed
3876, 53, 59	4759-6971	4759-6891
3892	4759-6971	4759-6971



- 3876,92 4755D5161 Front Bed Assy. "Complete"(king) F. R. - .75
- 3853, 3859 4767A5271 Front Bed Assy. "Complete"(king) F. R. - .75
- 3876,53,59 4754G5701 Rear Bed Assy. "Complete" (double) F. R. - .75
- 3892 4754G5691 Rear Bed Assy. "Complete" (king) F.R. - .75

Flat Rate	Front/Rear Bed Assy. Components 3876, 53, 59, 92	Code	Part #	Description
**		1	4716U4031	bed extension (x2 per bed)
	Note: must cut to size if needed for rear bed assy.			
.25		2	4714C1901	tent bow/leg package
.25		3	4060300339P	vinyl bed seal pkg. (8" pc.)
.15		4	4720K5631	bed bow bracket M2
.05			4757-9241	1 1/2" nylon fender washer m4
.20		5	4734E5881	bed leg assy. m2 (x2 frt. all/rear 3876)
.20			4753-3811	bed leg assy. (x2 rear bed 3853,59,92)
.15		6	4720C0771	bed leg clip m4
			1203-8831	rivet m25 (rivet clip to bed)
.15		7	4720D4021	lashing hook m6
			1203-8741	rivet m25 (rivet hook to bed)
.20		8	4737A4178	support plate
		9	1203C8721	rivet m25
		10	4739E2908	screw cap m10
			4739-2918	screw cap washer m10
		11	4716-074	screw
			1202B2528	washer
.20		12	4734A5141	bed leg bracket
		13	4720A2361	rod & pal nut
.20		14	1034B16128	flat head screw
			1201B6378	lock nut
1.50		15	4744D9991	inside bed frame (front bed 3892)
1.50			4720G1181	inside bed frame (rear bed 3876,53,59)
1.50		16	4744D9991	outside bed frame (front bed 3892)
1.50			4720G1181	outside bed frame (frt./rr bed 3876,53,59)
.20		17	4755A2591	bed brkt. w/mounting hardware x4
		18	4739-2298	lock nut
.50		19	4754-8101	bed roller, nut, bolt, & washer pkg.
		20	1202B2908	washer
.15		21	4754-8631	bed slide end cap
.15		22	4754-4821	bed slide wedge
.20		23	4758-9481	pull-out handle strap & rivets
			4758-8001	rivet "black" m25

** .50 first extension
 ** .25 second extension

Flat Rate .50 per cover

Mattress Assemblies & Covers

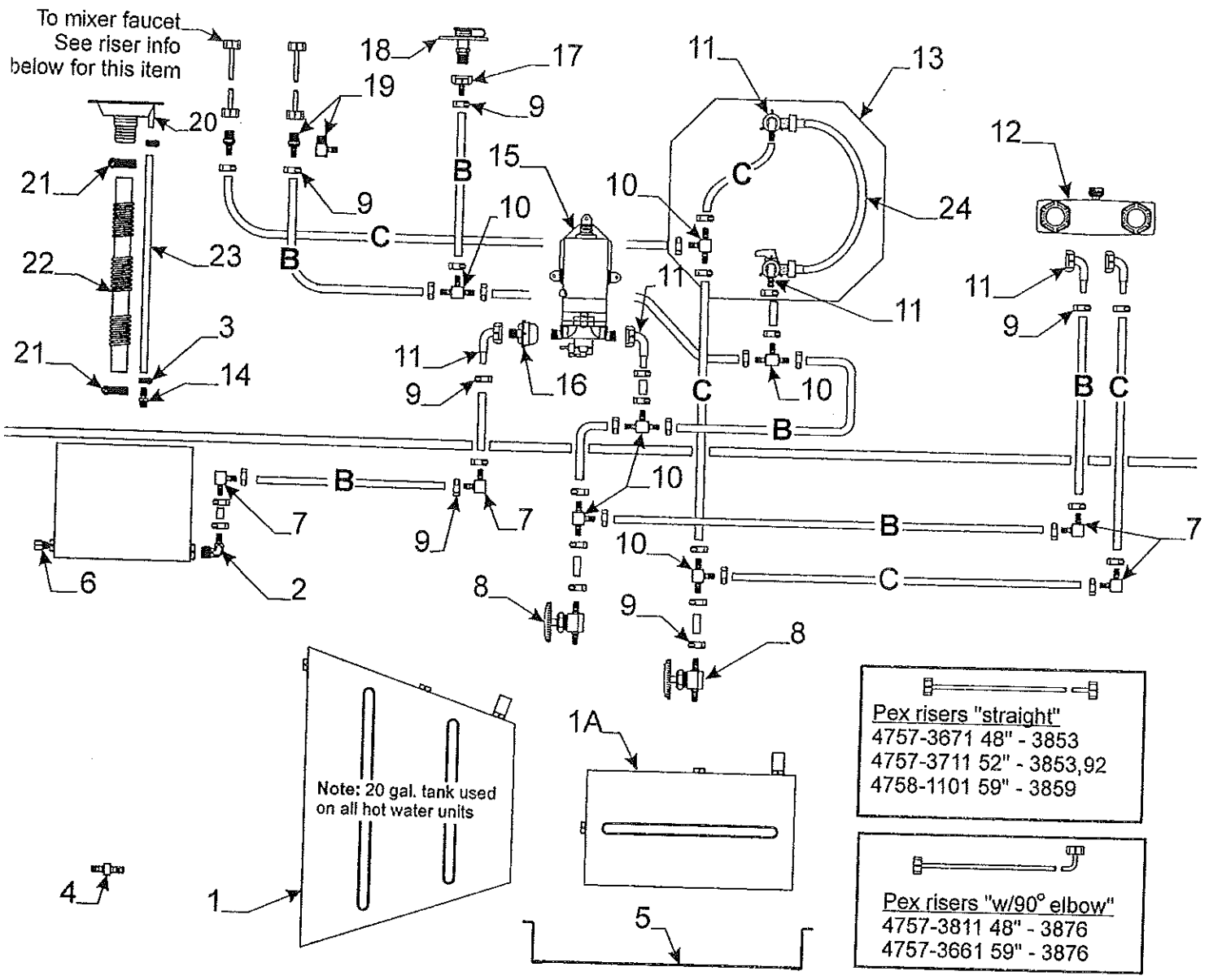
Model	Frnt. Matt. assy.	Frnt. Matt. Cover
3876,53,59,92	4757D6421	4714D6421

Model	Rear Matt. assy.	Rear Matt. Cover
3876,53,59	4757F5091	4714E5091
3892	4757D6421	4714D6421

Mattress Assembly Dimensions

Model	Frnt. Matt. Assy.	Rear Matt. Assy.
3876,53,59	77" x 70" x 3 1/2"	77" x 48" x 3 1/2"
3892	77" x 70" x 3 1/2"	77" x 70" x 3 1/2"

Flat Rate .10 Matt assy.

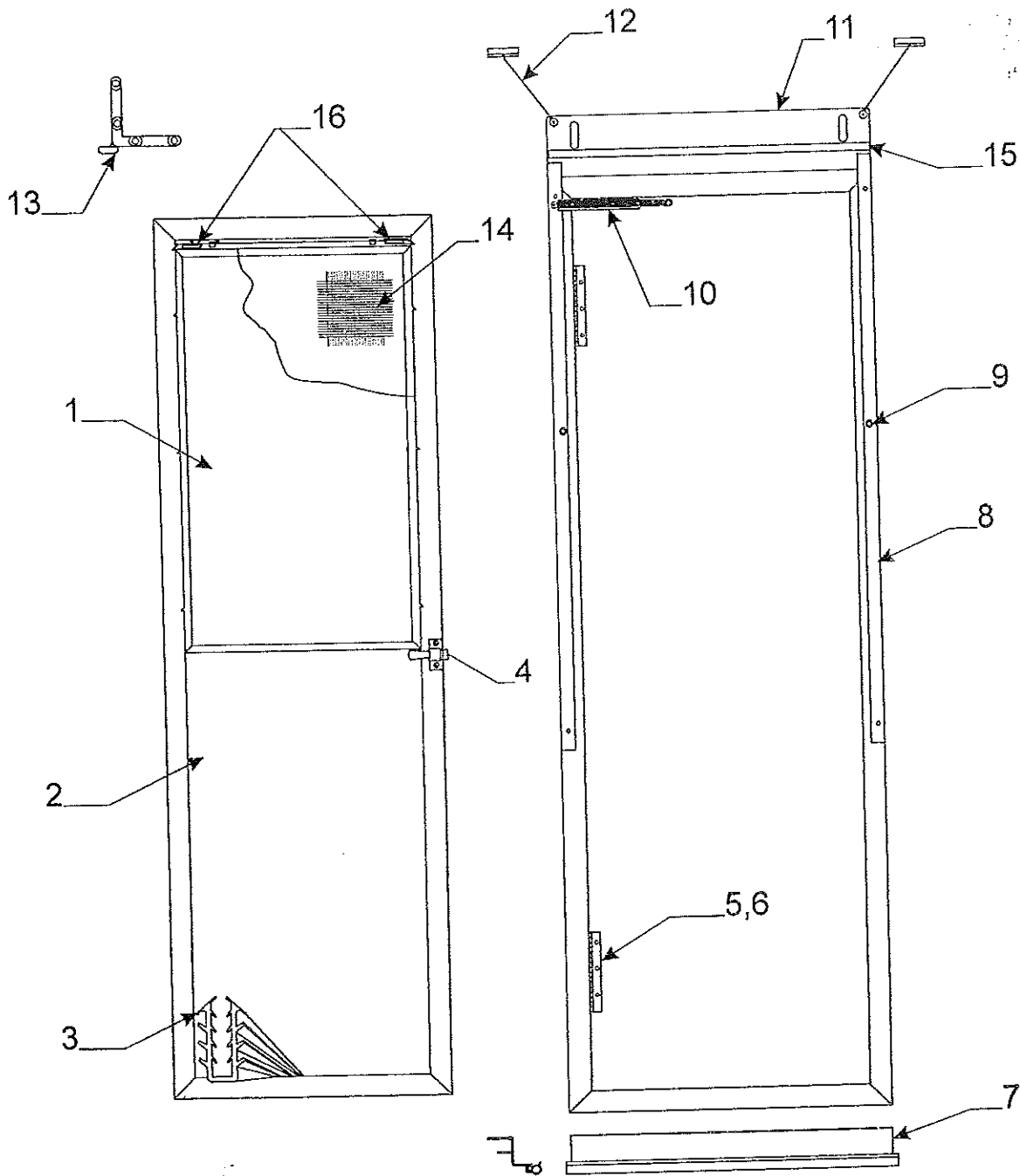


B 4060050006P 3/8" I.D. Pex tubing "cold" (20' pc. pkg.)
 C 4060050007P 3/8" I.D. Pex tubing "hot" (20' pc. pkg.)

4714-038 3/8" I.D. High pressure hose (sold/foot)

Flat Rate	Code	Part #	Description	Flat Rate	Code	Part #	Description
1.50	1	4757A0471	water tank 3892, 3859	*	13	4750-3421	water heater (all)
	1A	4757B0521	water tank 3853	.15	14	4732B4561	hose adapter
.50		4733J1411	water tank 3876	.50	15	4741D5571	electric water pump
.25	2	4741C2371	elbow "plastic"	.25	16	4747A8311	water filter
	3	4731-3058	adjustable hose clamp 3/8"	.20	17	4741A9561	female adapter "copper"
	4	4755-4821	brass barbed union m10	.30	18	4732F1521	city fill
.20	5	4758-5381	tank hanger x2 (all)	.20	19	4757-3631	brass adapter 3/8" barb "Pex"
.15	6	1218-7001	plug	.30	20	4758-1341	1/2" mpt x 3/8 elbow "Pex"
.25	7	4741C2391	brass elbow "Pex" m2	.20	21	4731D1711	fill spout
.20	8	4741E2361	brass line drain "Pex"	.35	22	4715-4501	adjustable hose clamp
.25	9	4741A2751	stainless steel clamp m100	.20	23	4731H1081	water fill hose (5' pc.)
.25	10	4741C2381	brass tee "Pex" m10	.20	24	4060050003F	1/2" h.p. hose (sold/ft.)
.20	11	4741B9061	copper swivel elbow			4765-9971	water heater bypass kit
.50	12	4741B2071	shower diverter				

* Warranted By Vendor



.30 Flat Rate Screen Door Complete

Note: parts marked w/* asterisk are not included w/screen door

4757D5191 Screen Door Assy. /Less Top Bkrt.							
Flat Rate	Code	Part #	Description	Flat Rate	Code	Part #	Description
.10	1	4716E3401	top sliding window pane	.05	9	4730A3548	stud w/screw x2
.40	2	4754B1541	stationary window pane	.20	10	4731A8201	spring package
.15	3	4060000086F	rubber seal (sold/foot)	.30	11	*4759-0981	top bracket
			Note: around perimeter of window pane	.15	12	4734D5211	cabl assy. m6
.15	4	*4742-9671	door latch assembly	.50	13	4710-3791	corner brace hinge m2
.15	5	4720C3601	hinge x2		14	4716-1381	screened stationary pane
	6	1203-8641	rivet m25	.75		4716-1111	screening 36" x 18 1/2"
.25	7	*4747B5621	screen door support	.10	15	4060000023P	d-seal "white" (5' pkg.)
		*4060000399F	rubber seal (sold/foot)	.50	16	4716-3811	window lock pkg. rt./lt.
.20	8	4754-3811	vel-stick (pkg. of 2)				

Dinette Area Cushion/Backrest Assemblies & Covers - Flat Rate .10 Assembly - .25 Cover

Model	Cushion Assembly	Cushion Cover	Model	Backrest Assembly	Backrest Cover
3876, 3853	4759C5221	4714C5221	3876, 3853	4759C5231	4714C5231
3892	*4756F5571	*4714F5571	3892	*4758C6721	*4714C6721
3892	*4756G5571	*4714G5571	3859, 3892	*4758E6721	*4714E6721
3859, 3892	*4756H5571	*4714H5571			

Plastic Cushion Button x2 - 4710-2681 m5

*** NOTE: Before ordering cushions or backrest please check dimensions**

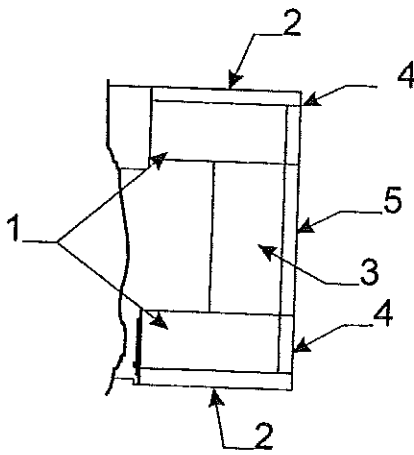
Cs Hutch Seat Cushion Assy. & Cover - 3853 Laramie 45" x 15" x 2"

Model	Cushion Assembly	Cushion Cover
3853 Laramie	4758A2211	4716A2211

Dinette Cushion/Backrest Dimensions

PART #	Cushion Assembly	PART #	Backrest Assembly
4759C5221	43 1/4" x 19 3/8" x 4"	4759C5231	42 3/4" x 16 3/8" x 4"
4756F5571	39 1/2" x 18" x 4"	4758C6721	38 1/2" x 15" x 4"
4756G5571	39" x 19 5/8" x 4"	4758E6721	38 1/2" x 16 3/8" x 4"
4756H5571	39 1/2" x 16 1/2" x 4"		

***NOTE: Before ordering backrest please check dimensions**



Refer above for 3892 Tacoma for dinette cushion/backrest

Flat Rate	Cushion & Backrest Assy.'s 3892 Tacoma,
Code	Part # Description
.10	1 4753J6021 cushion assy. 3892 41" x 19 5/8" x 4"
.25	4716J6021 cushion cover 3892
.10	2 4753G6071 *backrest assy. 3892 41 3/8" x 13 3/8" x 4"
.10	2 4753H6071 *backrest assy. 3892 41 3/8" x 11 3/8" x 4"
.25	4716G6071 *backrest cover 3892
.25	4716H6071 *backrest cover 3892
.10	3 4759C5771 cushion assy. 3892 41 3/8" x 19" x 4"
.25	4716C5771 cushion cover 3892
.10	4 4756F5401 *backrest assy. 3892 14" x 13 3/8" x 4"
.10	4756G5401 *backrest assy. 3892 14" x 11 3/8" x 4"
.25	4716F5401 *backrest cover 3892
.25	4716G5401 *backrest cover 3892
.10	5 4759C5791 *backrest assy. 3892 41 3/8" x 17 3/4" x 4"
.10	4759D5791 *backrest assy. 3892 41 3/8" x 15 3/4" x 4"
.25	4716C5791 *backrest cover 3892
.25	4716D5791 *backrest cover 3892

Drape Package (Less Valance Pkg.)

Note: Package includes privacy curtains

Model	Drape Pkg.	# Of Panels	Flat Rate
3876 Sedona	4759C5211	9	.30
3853 Laramie	4767B5381	7	.30
3859 Timberlake	4754-7241	7	.30
3892 Tacoma	4759C5711	10	.30

Drape Tie Package (Qty. 1) - 4753G9791 (all)
Flat Rate - .05

Dressing room curtain - 4754-7451 - 3859
Flat rate - .20

Drape Tab C-Shape m60 - 4750-2891 Flat Rate - .05

Shower curtain "white vinyl" - 4749A6661 - 3859
Flat Rate - .20 4748-8161 shower curtain clip m10

Privacy Curtain Pkgs. (Set of 2 Panels)
.15 4723D7961 - (all models)

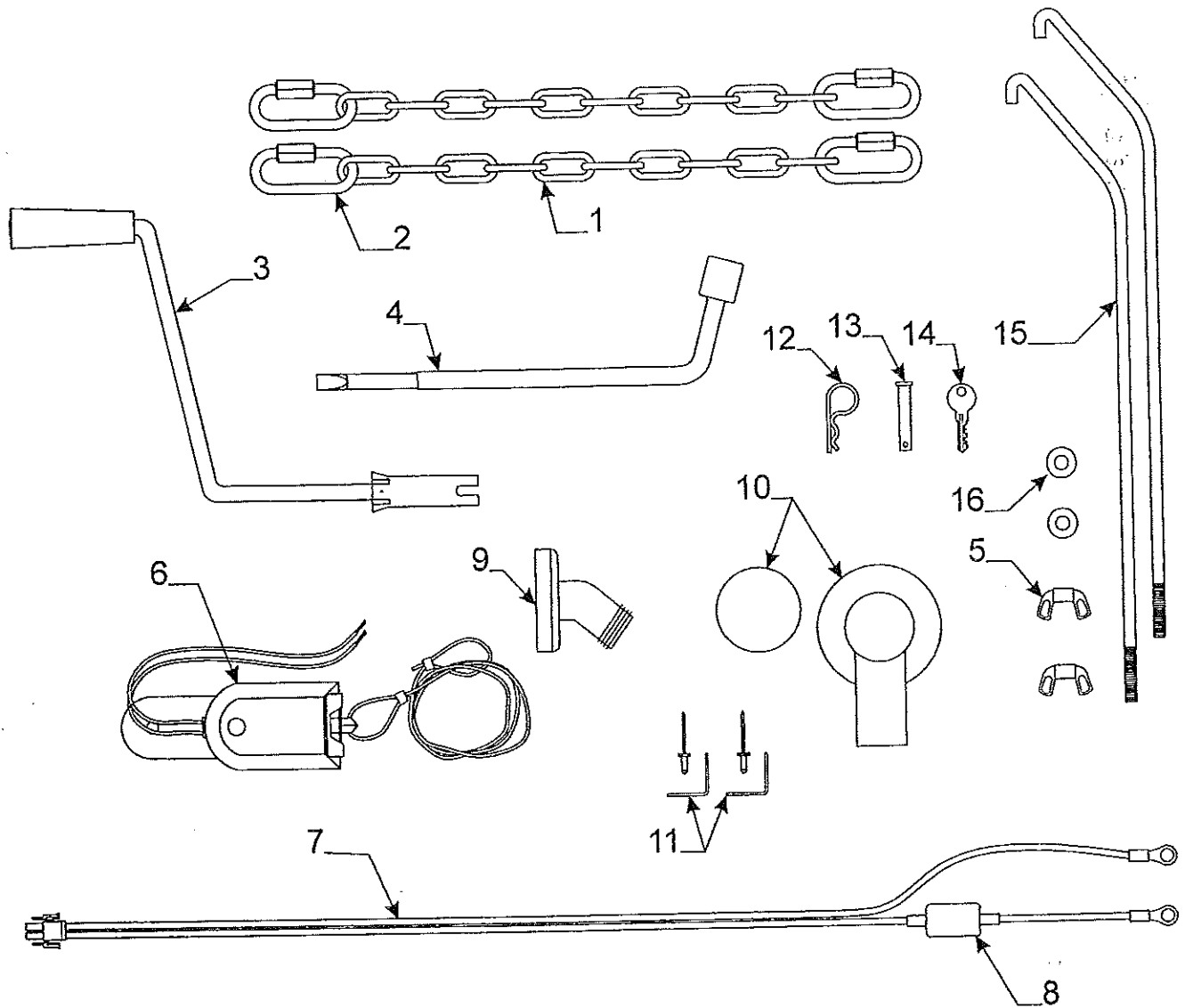
Shower curtain outer "drape matl." - 4769-6991 - 3859
Flat Rate - .20

Single Drape Panel w/Safety Straps

.15	4716E8711	Single Drape Panel 43" x 45"
.15	4716F8721	Single Drape Panel 35" x 45"
.15	4716H9151	Single Drape Panel 22" x 45"

Valance Package - Flat Rate - .25

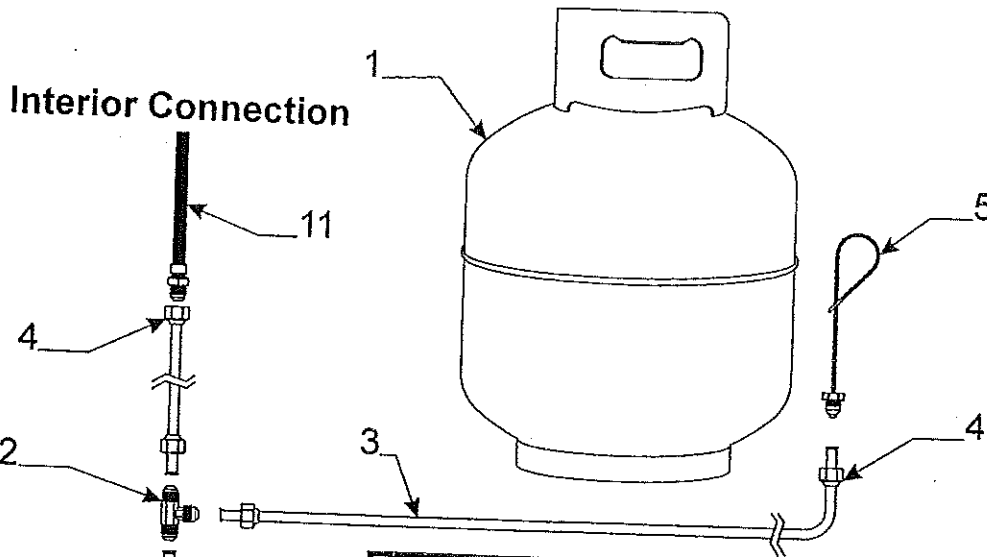
4757C3351 - 3876 Sedona
4767B5391 - 3853 Laramie, 3859 Timberlake
4757C3011 - 3892 Tacoma



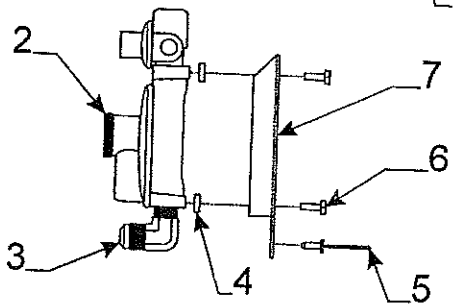
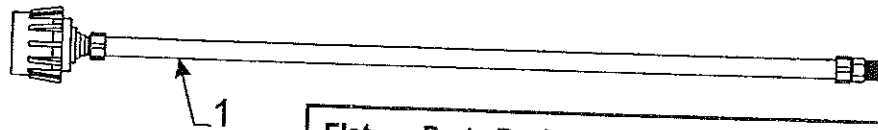
4750J6111 Parts Package (All)

<u>Fiat Rate</u>	<u>Parts Package Code</u>	<u>Component Part #</u>	<u>Description</u>
	1	4757-3901	29" tow chain w/quick links m2
	2	4757-3891	quick link (sold/signally)
	3	4747G4141	crank handle
	4	4749A1861	lug nut wrench
	5	1201-6258	wing nut x2
	6	4746-0401	breakaway switch
	7	4749B5531	battery harness w/15 amp breaker
	8	4751-4811	15 amp circuit breaker
	9	4737-9138	drain adapter
	10	4734C3781	regulator cover (long)
		4751-9571	round regulator cover
	11	4753E6781	battery angle pkg.
	12	4732A4791	safety pin m10
	13	4771-2631	hitch pin m5
	14	4730B3211	key m10 # 8025 (gold plated)
	15	4733G6281	gas bottle mounting brkt. pkg.
			Note: pkg. includes (2) wing nuts, washers
	16	1202B0468	washer x2 m10

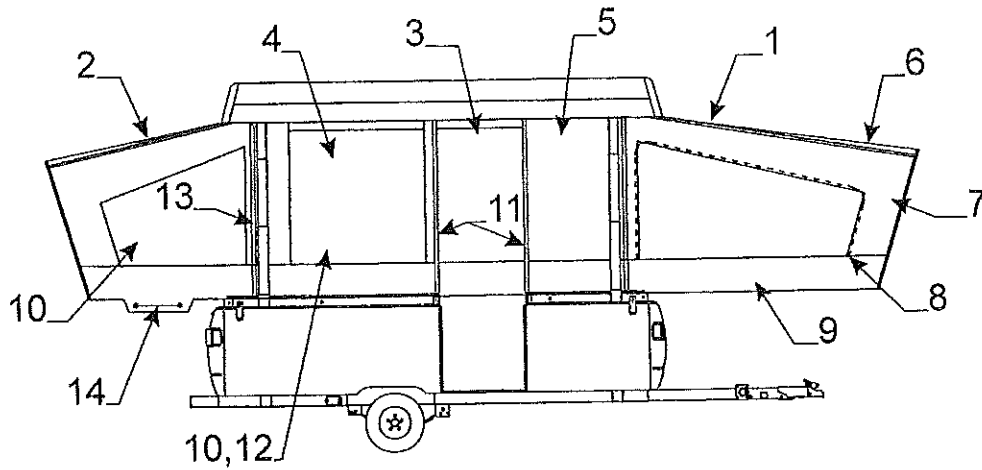
**** Serial Number Of Gas Bottle Must Be Supplied When Submitting Warranty**



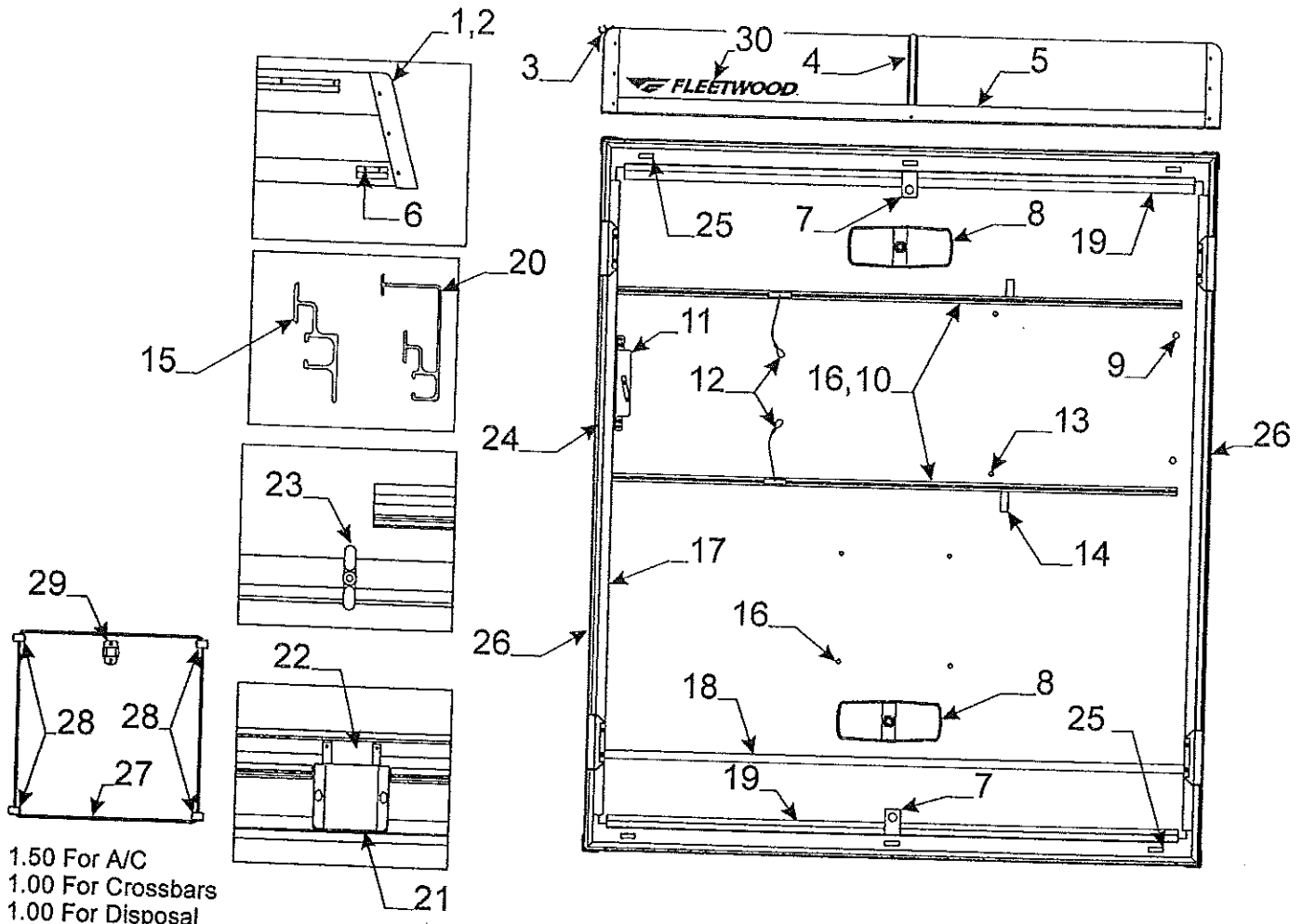
Flat Rate	Code	Part #	Description
.15 **	1	4720J5928	gas bottle "arctic white"
		4724K6441	black vinyl l.p. cover
.50	2	1215-1771	brass tee 3/8" x 3/8" x 3/8"
.50	3	3/8" copper gas line	purchase locally
	4	1215-2418	flare nut 3/8"
	5	4733A3888	plastic cap & chain 3/8"
.40	6	4748-2671	half union
	7	1202B1068	washer
.40	8	4742A8331	quick disconnect
.20	9	4752-5831	quick disconnect cover & hinge
	10	4716-9411	strike, washer & screw pkg.
	11	4753-5581	flexible gas hose 48"
	12	4767-0561	RVQ gas hose
	13	4714-4901	RVQ gas grill/hose kit (Complete)



Flat Rate	Code	Part #	Description
.45	1	4733D3991	gas hose w/acme nut 21"
.45	2	4755-0401	regulator "low pressure"
	3	4753-8981	3/8" x 3/8" elbow (non hot water)
		4755-0421	1/2" x 3/8" elbow (hot water)
	4	0322A3301	brass spacer m2
	5	1203E8961	steel rivet m25
	6	4759-0441	mounting screw m2
	7	4741D9431	regulator mounting brkt.



Sunbrella Tenting & Components 3876, 53, 59, 92			
Flat Rate	Code	Part #	Description
.50	1	4768-5181	front boot 3876, 53, 59, 92
.50	2	4768-5171	rear boot 3876, 53, 59
.50		4768-5181	rear boot 3892
.20	3	4759B5241	large window 3876, 53
.40		4754-7311	large window "w/tip-out" 3859
.40		4759C5721	large window "w/tip-out" 3892
.20	4	4759C5251	small window 3876
.20		4759B6731	small window 3853, 3859
.20		4758C6771	small window 3892
.15	5	4759D5261	door seal 3876
.15		4759B6741	door seal 3853, 3859
.15		4758C6861	door seal 3892
	6	8118501430P	top vinyl pkg. (85" x 3 yards)
	7	4716C0851	sunbrella patch package (12" x 14")
	8	6650500131F	zipper (sold/yard) used around window
		1225A4461	zipper pull m5
	9	8118001438P	bottom vinyl facing pkg. (3 yd. x 80")
	10	4714E1611	screen package (84" x 3 yards)
		4714A0361	screen package (84" x 13 yards)
	11	435000009P	1" velcro hook (10' pc. Pkg.)
	12	4716-2401	clear window vinyl (41" x 2 yards)
	13	1225G3768	45 1/2" side zipper pin half
		1225G3758	45 1/2" side zipper slider half
.50	14	4060000245CP	shock cord (150' package)
.50		4714C6021	shock cord & hooks m2 (two 14' lengths)
.15		4724A2011	shock cord termination (plastic hook) m10
	15	4060000024F	arrowhead seal (sold/foot)
.30	16	4735D6721	extension harness
.50	17	4743-1588	k-kote seam sealer
	18	4728-5641	tent retainer pkg.
.30	19	4710-1001	vinyl daubing "white" m2
.30		4710-1011	vinyl daubing "grey"
.30		4710-1021	vinyl daubing "green" m2



1.50 For A/C
 1.00 For Crossbars
 1.00 For Disposal

4716-8991 Roof Brace Kit

- 4768B5021 Top Assembly 3876 Sedona F.R. - 3.00
- 4768B5031 Top Assembly 3853 Laramie F.R. - 3.00
- 4754-7121 Top Assembly 3859 Timberlake F.R. - 3.00
- 4768B5061 Top Assembly 3892 Tacoma F.R. - 3.00

Flat Rate	Code	Part #	Description	Flat Rate	Code	Part #	Description
.50	1	4716U1981	top corner pkg. (pkg. of 4)	.15	12	4734D5211	screen door cable m6 (all)
	2	4350000058F	saturated foam tape (sold/foot)	.15	13	4730A3548	stud w/screw x2
	3	4745-3968	screw "painted"	.30	14	4723A5061	strap x2
.50	4	4757-3561	canopy track (must cut to size)		15	4756A0631	tent track (frt./rr.)
1.00		4752-02791	center seam (must cut to size)			1103E1018	screw stainless steel
		4060400096F	vinyl screw cover (sold/foot)		16	1203-9258	plastic accordion rivet m25
		4741-3508	hex head screw		17	4754A9831	side cove x2 (must cut to size)
		4350000058F	saturated foam tape (sold/foot)	.20		4747-2558	expansion rivet m25
.50	5	4756A0681	frt./rr. seal extru.		18	4350400004F	vinyl tape (sold/foot)
.15	6	4750A9581	top strike m2 (all)		19	4756B0671	cove (front/rear)
		4744C2461	torx head screw "painted" m2	.30	20	4754B9851	tent & val. track (must cut to size)
		1201B6958	nut (x2 per strike)			1103E1018	screw stainless steel
.15	7	4741F11381	tent support brkt.	.20	21	4747D5521	lift pocket cover x4 (all)
		4741C9368	screw "painted" x2			4741D3558	hole plug x2
.15	8	4744E4741	double light	.25	22	4351400005F	velcro loop (sold/yard)
		4758-1361	dome light lens			4741B5431	lift pocket x4
		1103B1028	screw x4	.15	23	1201B6378	lock nut (x2 per pocket)
	9	4737-3211	rubber button m8			4743-2501	plastic screen dr. latch pkg.
.30	10	4733H47181	screen door track x2				Note: pkg. includes (2) latches & mounting hardware
		4744B4611	expansion rivet m25	.50	24	4060100399P	rubber top seal (40' package)
20	11	4749C5571	screen door bracket		25	4724F2631	velcro hook m6
		4747-2558	expansion rivet m25	.75	26	4757B3171	side seal extrusion 3876,53,59
		4749-2138	snap button m2	.75		4754D9801	side seal extrusion 3892
		1203-8631	rivet m25	.10	27	4755B5231	shower curtain rod (3859)
				.15	28	4755-5211	shower rod strap x4 (3859)
				.20	29	4767-0111	shower head brkt. (3859)
				.25	30	4761-1958	Fleetwood decal

