

2002

Grand Tour / Grand Tour Elite Series Repair Parts Catalog



Grand Tour Models

- | | |
|--------------------------|----------------------------|
| 3688 Sea Pine 10' | 3651 Mesa 12' |
| 3689 Santa Fe 10' | 3681 Utah 12' |
| 3696 Cheyenne 10' | 3691 Sun Valley 12' |
| 3694 Westlake 12' | |

Grand Tour Elite Models

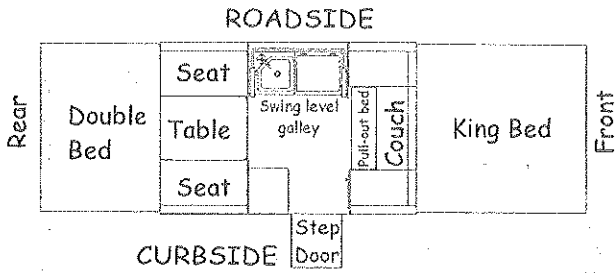
- 3678** Bayside 12'
3695 Niagara 12'



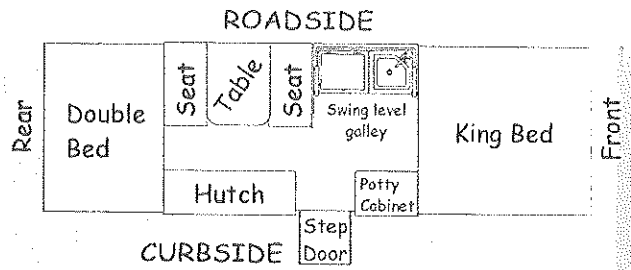
Coleman and the Coleman Parallelogram are registered trademarks of the Coleman Company, Inc., Used under license.

2002 GRAND TOUR SERIES

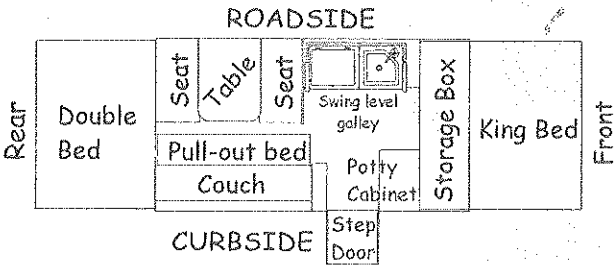
3688 SEA PINE 10'



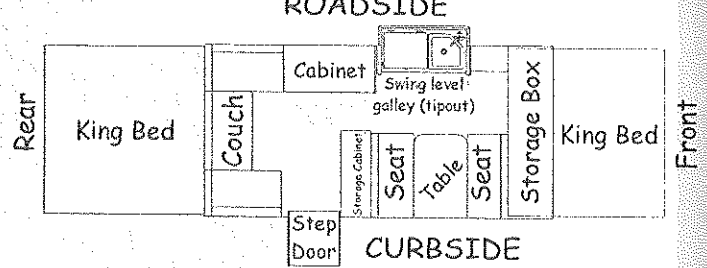
3689 Santa Fe 10'



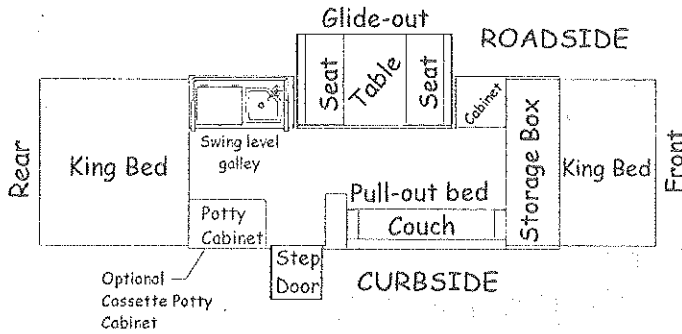
3696 Cheyenne 10'



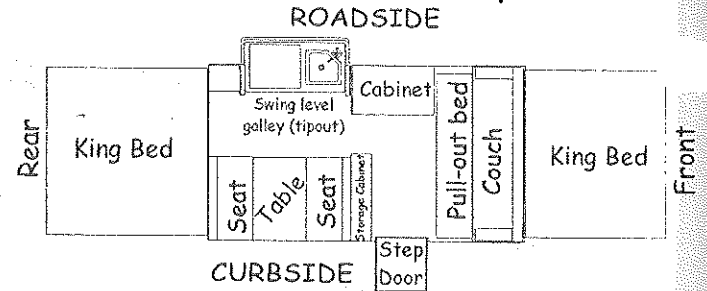
3651 Mesa 12'



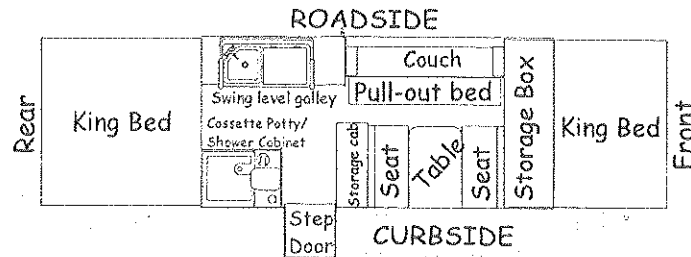
3681 Utah 12'



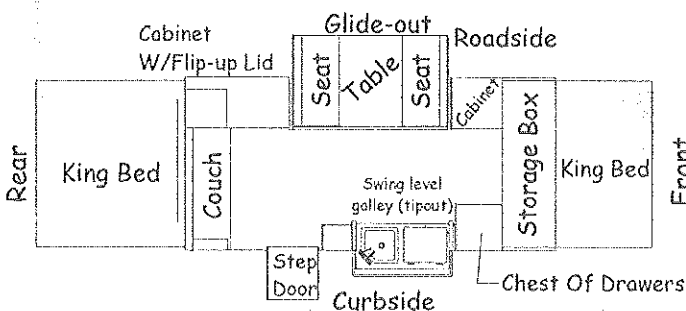
3691 Sun Valley 12'



3694 Westlake 12'



3678 Bayside 12'



3695 Niagara 12'

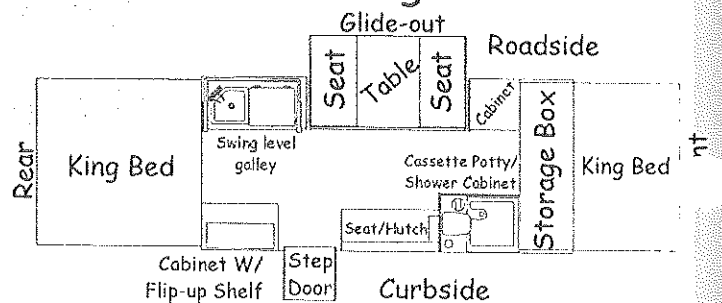
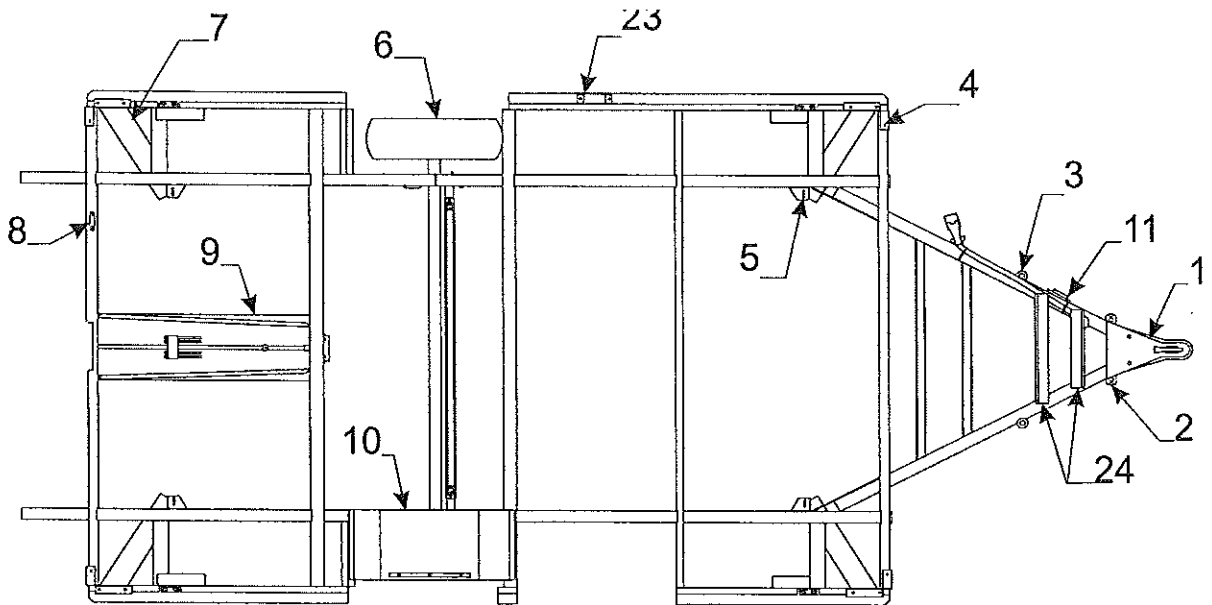


TABLE OF CONTENTS

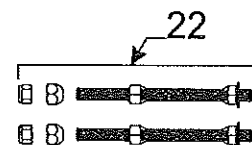
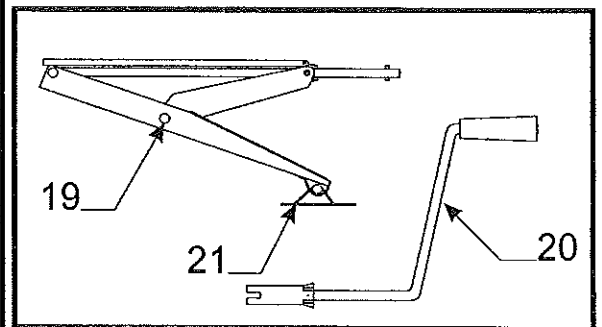
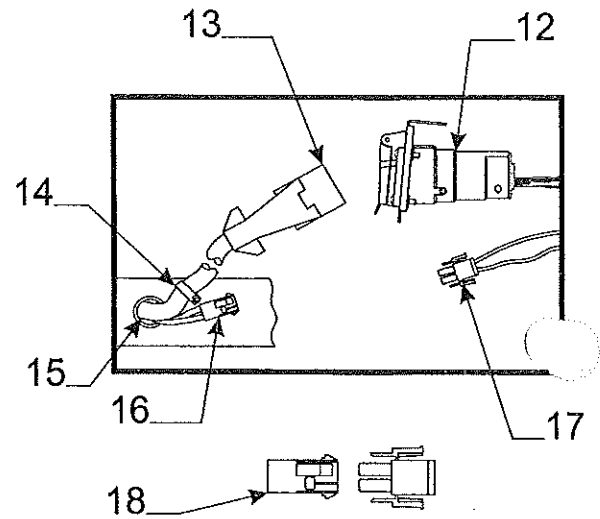
<u>DESCRIPTION</u>	<u>PAGE</u>
Access door key	32
Access door assembly & related parts	10
Auto extension	33
Axle assemblies & related parts	6
Backrest assemblies & covers	36,37
Bed assemblies	30
Bed extensions & related parts	30
Body panel right rear (curbside)	11
Body panel left side (roadside)	12
Body panel left side (glide-out models)	13
Body panel front & rear (ABS plastic)	9
Body panel storage box models (ABS plastic)	8
Body panel right front (curbside)	11
Bumper & related parts	9
Cabinet assembly (corner cabinets)	20
Cabinet assembly (csr cab. w/flip-up shelf)	25
Caulking	33
Converter & related parts	27
Cooler (built-in)	16,17,25
Corner bulkhead assembly	2
Coupler assembly	2
Crank components (upper crank)	5
Crank handle	2,10
Cushion assemblies & covers	36,37
Door bulkheads	12
Drain hose (used on sinks)	14
Drape packages & related parts	38
Drawer assembly components	27
Dressing room curtain	38
Electric brakes & related parts	6,7
Fire extinguisher & components	21
Floor covering	2
Frame assembly & related parts	2
Gas detector	26
Gas hose (gas bottle hook-up)	32
Gas bottle mounting brackets	32
Gas quick disconnect (outside stove)	33
Gas bottle cover (molded ABS)	35
Gas bottle cover (green vinyl)	33
Gas bottle & related parts	33
Glide-out & related parts	13
Grease cap (dust cap)	6
Hub assembly & related parts	6
Hub caps	2
Hutch assembly (roadside 3691)	22
Hutch assembly (curbside 3689)	21
Hutch assembly (curbside 3691, 96, 81)	22
Hutch assembly (roadside 3651,78)	25
Lift assemblies & related parts	4
Lift trim & miter covers	10
Lower galley components (3688,89,96)	16
Lower galley components (3681,94,95)	17
Lower galley components (3691 Sun Valley)	18
Lower galley components (3678,3651)	19
Mattress assemblies & covers	30
Outside shower components	12
Paint (spray & quart can)	33
Paneling & trim	3
Parts package & components	32
Pigtail (car end)	2
Potty cabinet (3681,3689)	21

<u>DESCRIPTION</u>	<u>PAGE</u>
Potty "cassette" (3694,95,81,89)	21,24
Power cord (converter)	27
Receptacle (exterior)	11
Receptacle (interior)	27
Refrigerator vents	12
Regulator & fittings	32
Safety chains	32
Screen door & related parts	29
Seat bench component parts	26
Shower curtain	38
Shower curtain rod (3694,95)	40
Shower stall w/potty (3694,95)	24
Shower head & hose	12, 24
Sink & related parts	14
Spare tire cover (molded plastic)	35
Spare tire mount package	32
Stabilizer assembly	2
Stabilizer handle	2
Storage box components	8, 7
Stove components (upper galleys)	15
Stove components (h.p. outside stove)	28
Table assemblies & related parts	3
Taillights (rear body panel)	9
Tent support assemblies & related parts	31
Tenting & related parts (sunbrella)	39
Thermostat (Hydro Flame)	26
Thrust nut & bearing	4
Tie backs (curtains)	38
Tipout & glideout tent bows	31
Tire & rim	2
Tire cover "green vinyl"	2
Tongue jack & related parts	3
Top assemblies & related parts	40,41
Trim tape kits	11,12
Upper crank assemble components	5
Upper galley assembly (3688,89,96)	16
Upper galley assembly (3681,94,95)	17
Upper galley assembly (3691)	18
Upper galley assembly (3651,78)	19
Valance package	38
Water heater	34
Water level monitor 3678,95	34
Water pump & related parts	14
Water system & related parts	34
Wheel well	2
Whiffletree & related parts	4
Zippers (tenting assemblies)	39

Axle/Brakes - Dexter	219/295-1900
Cassette Potty - Thetford	800/444-7210
Converter - Elixir/Centurion	800/848-0558
Furnace - Hydro Flame #7916-11	800/546-8759
Hand pump - Shurflo	800/762-8094
Mixer Faucet - Empire Brass	800/431-6440
Refrigerator - Dometic	800/216-5115
Stove - Atwood Greenbrier	800/646-8557
Stove - Vitco	877/825-8528
Tires - Duro	800/966-8473
Water heater - #5031E	423/775-2131
Yakima bike rack - to obtain repair parts .	800/925-4621

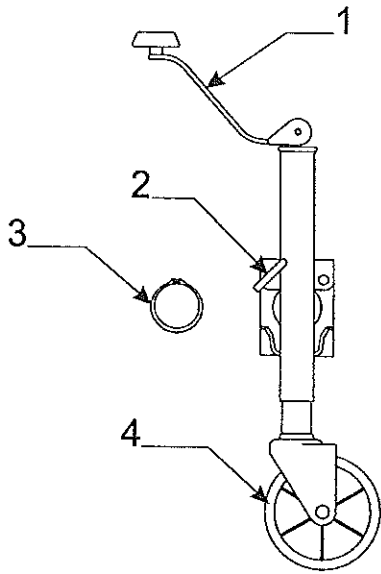


Flat Rate	Code	Part #	Description
1.50	1	4742-2001	coupler assembly
.25		4714A2211	coupler repair kit
.75	2	4748-6611	chain bar w/pins
.10	3	4747-8941	pin cover m2 (plastic)
2.00	4	4754A6221	bulkhead csr/rsf (see note)
2.00		4754A6211	bulkhead rsr/csf (see note)
Note: storage box models will use front bulkheads listed below			
2.00		4754A6231	bulkhead csf 3651,81,91,96,94,78,95
2.00		4754A6241	bulkhead rsf 3651,81,91,96,94,78,95
		1203C8751	rivet m25 (rivet bulkhead to frame)
.75	5	4732E3671	adjustable pulley brkt. X4
.25		4715A5371	pulley & bearing m10
		4720C1578	short pin m4
		1204B1081	colter pin m10
.25	6	4757-2468	tire & rim 13" Id "C" 3688, 89, 96,91
.25		4753D8168	tire & rim 13" Id "D" 3651,78,81,94,95
		4723E3161	tire cover "green vinyl"
		4757A2131	13" hub cap set (standard on elite only)
		4741-3268	2" valve extension
	7	4755B6641	stabilizer plate csf/rsr (all)
		4755B6651	stabilizer plate rsf/csr (all)
1.00	8	4758A5851	spare tire support
.25	9	4752B4921	whiffletree pan cover
		4755-4611	tek screw m25
2.00	10	4754D0531	wheel well x2 (all except 3689)
2.00		4754E0531	wheel well x2 (3689 only)
.75	11	4720B3331	jack brkt. (welded to tongue)
	12	4746A5591	pigtail - bargman (car end)
	13	4753B3751	trlr. wire harness - bargman
	14	1201-8708	3/8" clamp
		1203C8721	steel rivet m25
	15	4742-8108	1 1/4" snap bushing
	16	4716A5001	12 volt power harness
.15	17	4749B5531	12 volt wire harness m2
	18	4716A4701	12 volt cap & plug m2
.25	19	4751A3351	stabilizer assy. (screw down)
		4751-8208	tapping screw (3 per stab.)
	20	4747G4141	crank handle
.10	21	4755-6841	sand shoe (set of 4)
	22	4747B5891	spare tire mount kit
	23	4720J1531	side bulkhead
	24	4716-1751	frt./rear battery angle pkg.



*6610707228P floor covering pkg. (7 1/2')

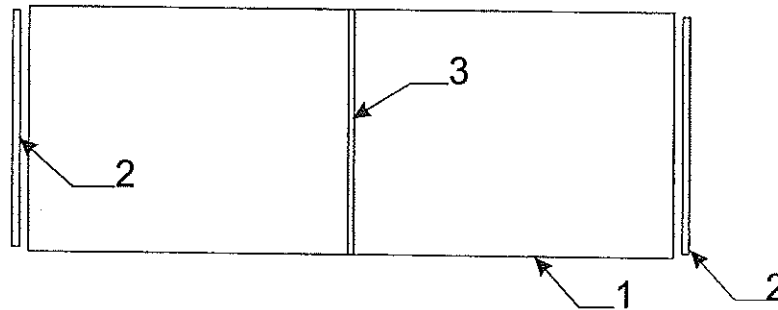
* Prior Authorization Needed From Factory



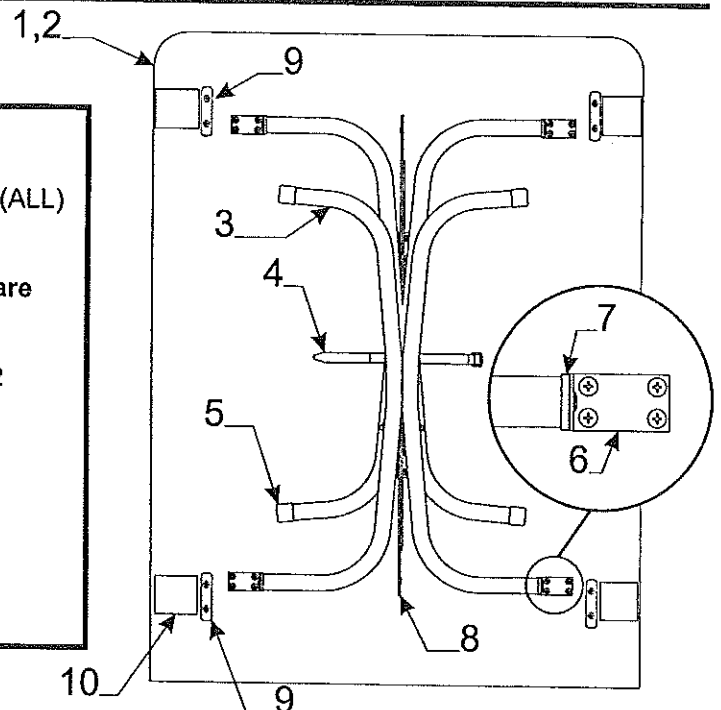
Flat Rate .10 Jack Removal			
Tongue Jack Assembly (4720C6661) "Norco"			
Flat Rate	Code	Part #	Description
.15	1	4716-1951	jack handle kit
.15	2	4716-1981	locking plunger kit
.10	3	4720A3341	snap ring m2
.25	4	4716-1971	jack wheel nut & bolt

* Prior Authorization Needed

Flat Rate Paneling & Trim (Must Cut To Size)			
Flat Rate	Code	Part #	Description
*	1	4754E1361	universal wall panel 48" x 23 13/16"
*	2	4716C1321	universal corner divider m2 48" pc.
*	3	4716C1331	universal panel divider m2 48" pc.

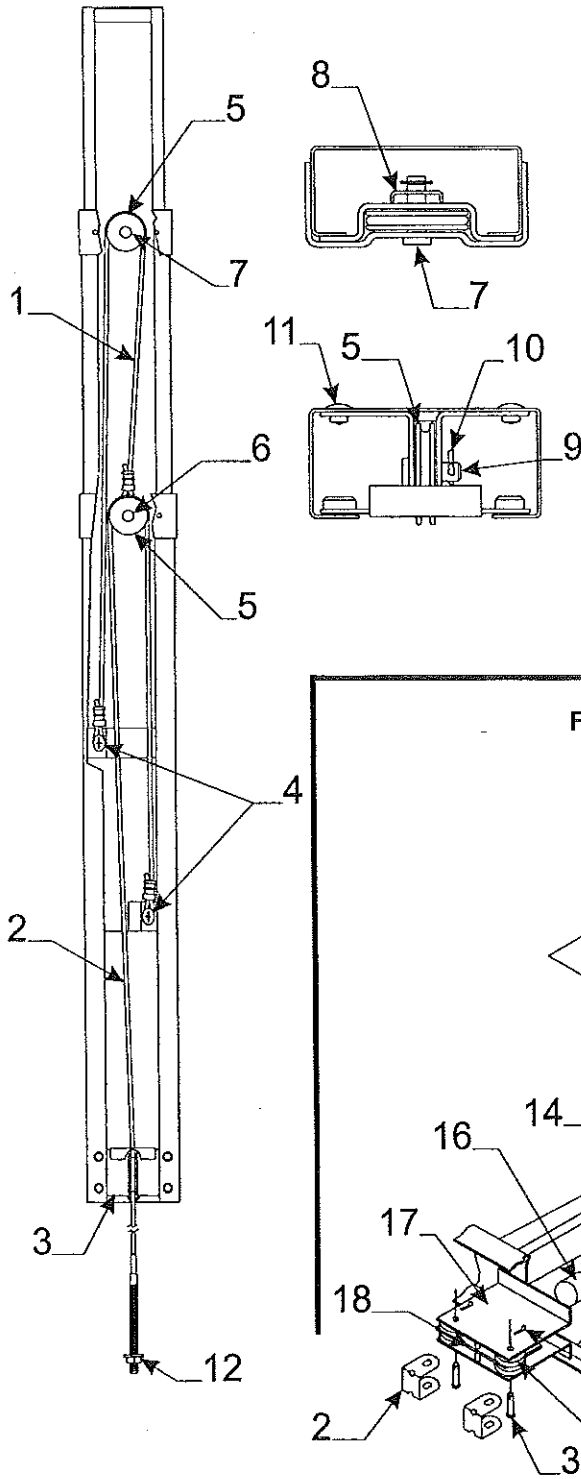


Flat Rate Dinette Table Assembly Components			
Flat Rate	Code	Part #	Description
.50	1	4757-9541	table top (30 1/4" x 39 1/4") (ALL)
.30	2	4060462507P	t-molding pkg. (14' pc.)
.50	3	4745J5271	table leg package
Note: pkg. includes 2 legs & required mounting hardware			
.10	4	4751A9711	strap & screw pkg.
	5	4752-0551	white plastic cap m2
.15	6	4720F1211	table leg mounting brace m2
		1103E1018	5/8" wood screw
.15	7	4752A0561	table leg insert cap m2
		4747-2558	expansion rivet m2
.25	8	4744-6971	lock brace assy. x2
		1103E1018	5/8" wood screw
.15	9	4756-8741	table top plastic spacer m4
		1103B08148	7/8" screw (x2 per spacer)
.05	10	4724D2631	velcro fastener m4



Flat Rate 1.25 Per Lift Assembly

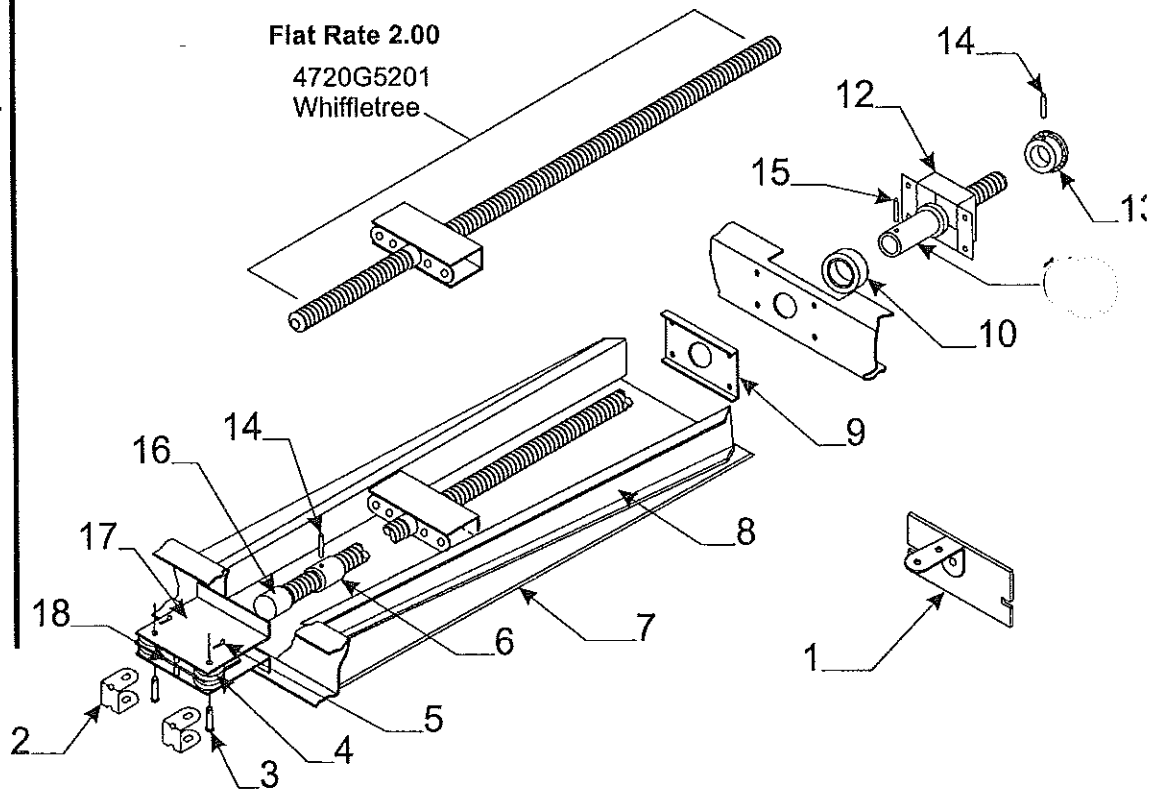
4716-0031 lift assembly roadside rear/curbside front (all)
 4716-0041 lift assembly roadside front/curbside rear (all)



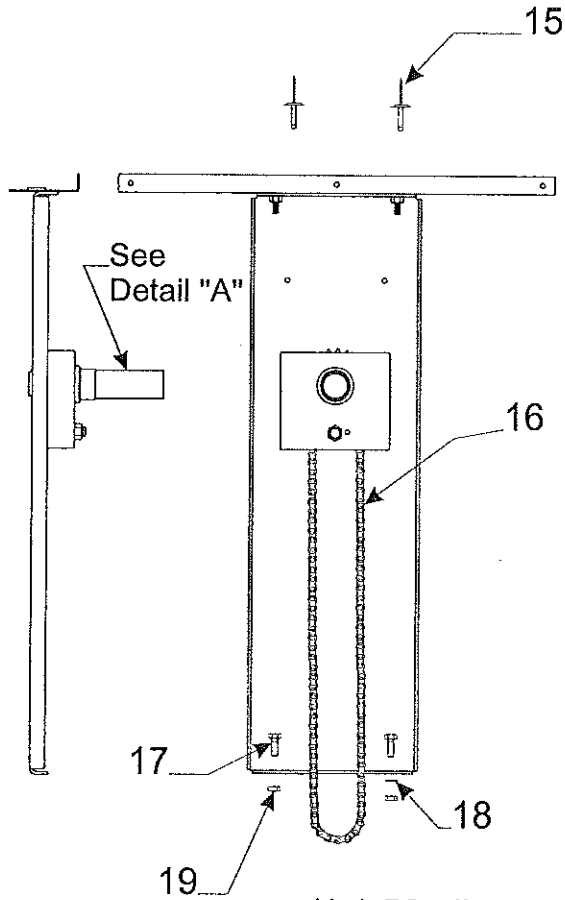
Flat Rate	Lift Assembly Component Code	Part #	Description
.75	1	4720D5271	cable assembly x1 m2
		4720C1691	cable crimp m20
1.25	2	4754A6121	184" long cable & crimp
		4744-1318	copper cable crimp m10
1.25	3	4731C5801	butterfly bracket assy.
.05	4	4749-2081	screw m6
.50	5	4715A5371	steel pulley & bearing m10
.25	6	4747-8931	long pin x2
		4730B0981	retaining ring m12
.25	7	4749-4061	short pin m4
		4730B0981	retaining ring m12
.25	8	4749A2028	retaining clip
.45	9	4720C1578	lift pin m4
	10	1204B1081	cotter pin m10
	11	1203-8641	rivet m25
	12	1201B6378	1/4" lock nut

Flat Rate 2.00

4720G5201 Whiffletree



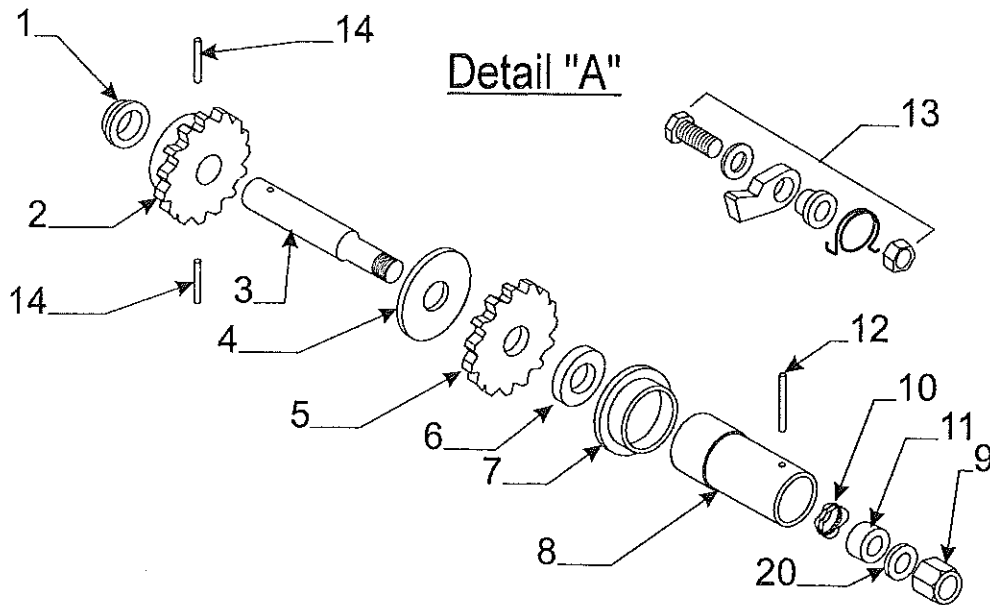
Flat Rate	Whiffletree & Related Parts Code	Part #	Description	Flat Rate	Code	Part #	Description
.15	1	4749A821	mud flap & brkt.	1.50	10	4720B2421	thrust nut bearing
.50	2	4744B1741	cable retainer x2	1.50	11	4720B2388	thrust nut
.20	3	4720J1561	long pin m4	1.50	12	4720B2408	bearing housing
.50	4	4715A5371	pulley & bearing m10	1.00	13	4730B3848	sprocket 12 tooth
.10	5	1204B1081	cotter pin m10		14	4720D1481	roll pin m10
1.60	6	4710B4248	bushing	1.00	15	4744A1301	shear pin m10
		4720D1481	roll pin m10	2.00	16	4730D1291	screw socket (welded)
.25	7	4752B4921	whiffletree pan cover	2.00	17	4720-1551	pulley plate
.25	8	4720F237	pan cover side (welded)	.50	18	4715D5661	pulley spacer
	9	4720C2418	plate				



Flat Rate 1.50 complete assembly
4745L6101 crank & sprocket assy.

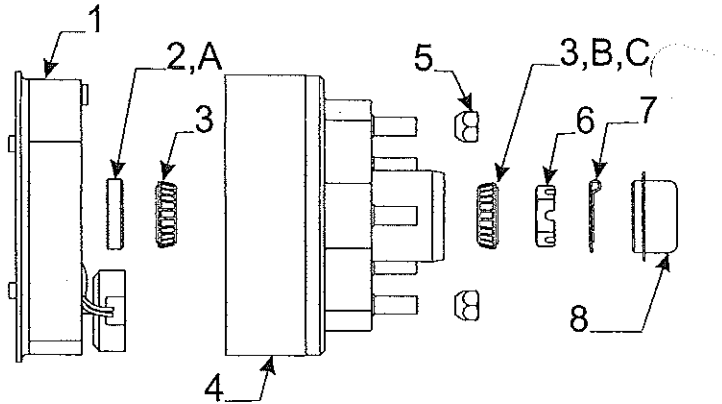
Flat Rate	Code	Part #	Description
**	1	4751-3501	shaft bushing
**	2	4730B3858	sprocket 24 tooth
**	3	4751-3521	drive shaft
**	4	4751-3561	pressure plate
**	5	4751-4831	ratchet wheel
**	6	4751-3581	pressure washer
**	7	4751A3591	shaft bushing
.75	8	4751-6511	drive hub extension pkg.
Note: package includes parts marked w/asterisk (*)			
	9	*4751-3551	hex head nut
	10	*4752-3921	handle spring m2
	11	*4751-4671	nylon washer
	12	*4747A9451	spiral roll pin m6
.60	13	4716-1221	ratchet pawl package
	14	4720D1481	roll pin m10
		4744A1301	shear pin m10
1.50	15	1203C8721	rivet m25
	16	4755-1431	chain (w/connecting link)
		4730A3811	connecting link
	17	4731-3878	hex head bolt x2
	18	1202B0438	washer
	19	1201B6038	hex head nut
**	20	*4757-3938	washer

** 1.50 all parts combined



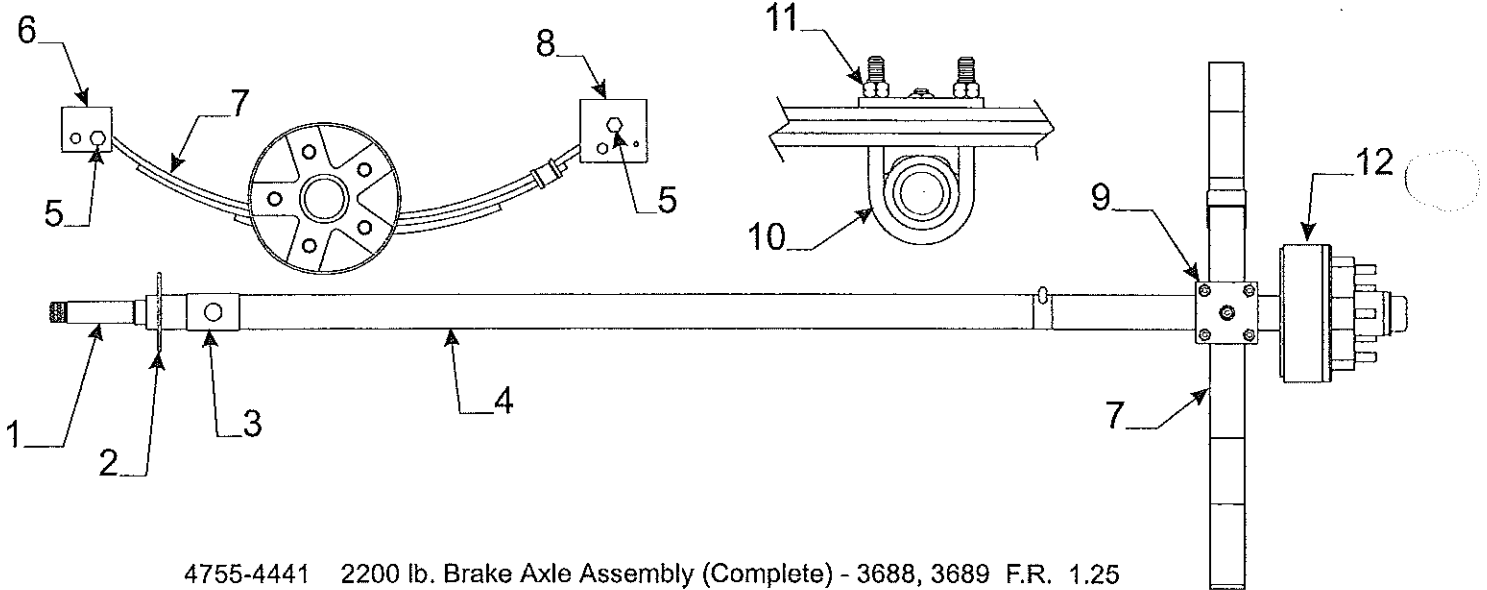
Flat Rate	Code	Part #	Description
Flat Rate .50 Per Side			
Electric Brake Pkg. 7 x 1 1/4" (4714H2011)			
Electric Brake Pkg. 10 x 2 1/4" (4714J2011)			
.50	1	4733A3521	7" brake assembly (right hand)
.50		4733A3531	7" brake assembly (left hand)
.50		4716-6251	10" brake assembly (right hand)
.50		4716-6261	10" brake assembly (left hand)
.50	2	4714A2201	7" grease seal x1 m4
.50		4716-1441	10" grease seal x1 m4
.50	3	4716-1101	7" bearing, race & seal pkg.
.50		4716-1451	10" bearing & seal pkg.
.30	4	4716A1071	7" hub & drum x2
.30		4716-1431	10" hub & drum x2
.05	5	4747A9528	lug nuts x5
.10	6	4714-3068	slotted spindle nut x1
.10	7	1204-1268	cotter pin x1
.05	8	4714B0621	dust cap m4

Note: Refer to page 7 brake shoe components



Crossover Numbers To Purchase Locally

- A** 13194TM or 198138SP21 Grease Seal (3688,89)
171255VB Grease Seal (all except 3688, 89)
- B** L44649 Bearing (3688,89 x2 - all others x1 "outer")
L68149 Bearing (large inner x1 all except 3688, 89)
- C** L44610 Race (3688,89 x2 - all others x1 "outer")
L68111 Race (large inner x1 all except 3688, 89)

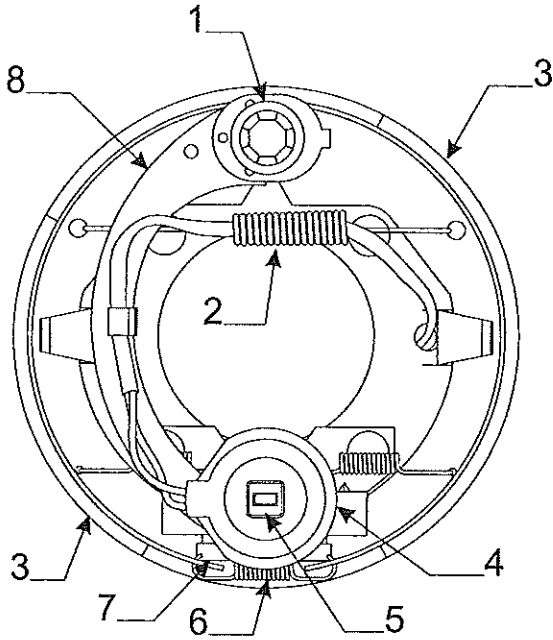


4755-4441 2200 lb. Brake Axle Assembly (Complete) - 3688, 3689 F.R. 1.25
4730V3011 3500 lb. Brake Axle Assy. (Complete) - 3651,78,81,91,94,95,96 F.R. 1.25

NOTE: Axle Assy. 4730V3011 limited parts stocked
refer to Dexter Axle for required part (s) phone - 219/295-1900

Flat Rate	Code	Part #	Description	Flat Rate	Code	Part #	Description
*	1	4741B8491	spindle (3688,3689)	.75	7	4735G2201	leaf spring (3688,89)
*	2	4741A8471	brake plate (3688,3689)	2.00	8	4741C3398	spring shackle "front" (all)
*	3	4741-8461	spring pad channel m2	.50	9	4741-8458	u-bolt plate (3688,89)
1.00	4	4716F6251	axle beam (3688,3689)	.25	10	4741A8438	u-bolt (3688,89)
.25	5	4737A1318	shackle bolt (all)		11	4741-9358	u-bolt nut (3688,89)
		4741-9498	shackle bolt nut (all)		12	Note: refer above for hub & components	
2.00	6	4741A3398	spring shackle "rear" (all)				

* PRIOR AUTHORIZATION NEEDED

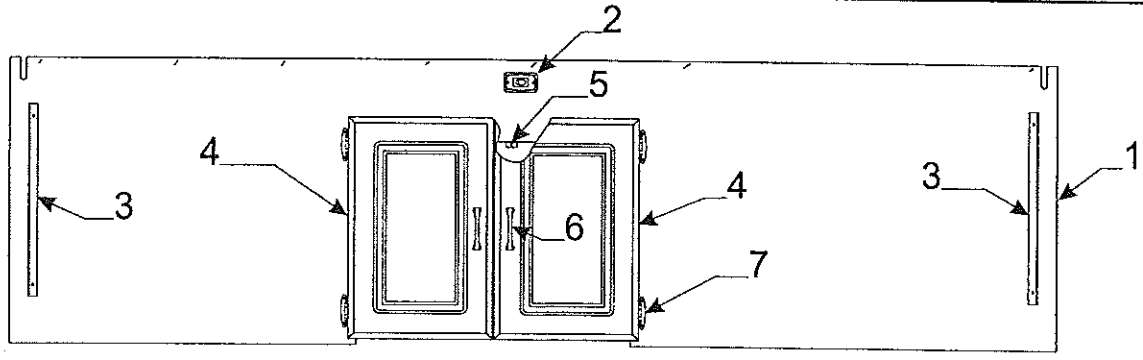


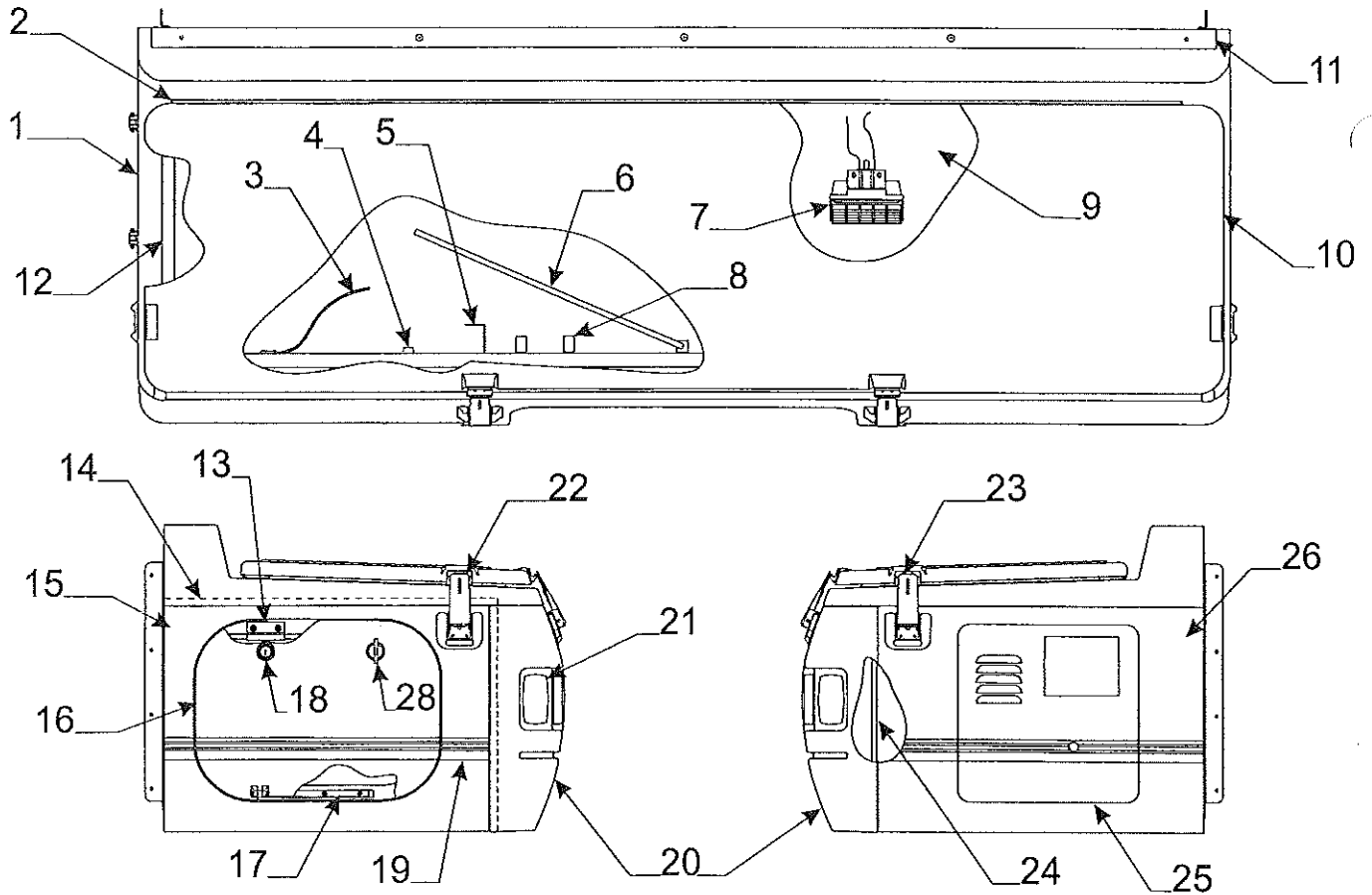
Flat Rate .50 Per Side

Electric Brake Components			
Flat Rate	Code	Part #	Description
	1	*4714A2461	anchor post clip m2
	2	*4714A2411	retractor spring
.40	3	*4714B2071	7" x 1 1/4" brake shoe (set)
.40		4716-2871	10" x 1 1/2" brake shoe (set)
.40	4	*4714D2451	7" magnet, spring & clip pkg.
.40		4716-2881	10" magnet, spring & clip pkg.
.30	5	*4714B2471	retainer clip m2
	6	*4714A2101	adjusting screw spring
	7	*4714A2041	adjusting screw
	8	*4714A2841	rt. & lt. lever arm pkg.
.30	9	*4714B2421	magnet housing spring (part not shown)

***Note:** parts used on 7 x 1 1/4" brake only refer to Dexter Axle for 10 x 2 1/4" brake components - Phone 219/295-1900

Front Storage Wall - Box Models							
Flat Rate	Code	Part #	Description	Flat Rate	Code	Part #	Description
4.00	1	4755F3401	wood bulkhead 3651,94	.15	4	4756A8901	door pnl. 3678,95
4.00		4754H1881	wood bulkhead 3696,81	.15		4756B8891	door pnl. 3651,81,94,96
4.00		4756F2081	wood bulkhead 3678	.15	5	4733-6391	latch & strike pkg.
4.00		4751L2681	wood bulkhead 3695	.10	6	4755A2681	door pull /screw
.15	2	4751-1161	"lighted" rocker switch	.10	7	4745C26188	hinge (spring loaded)
1.50	3	4754B3291	angle x2			4754A0608	mach. screw x2
						4754-0618	nut x2



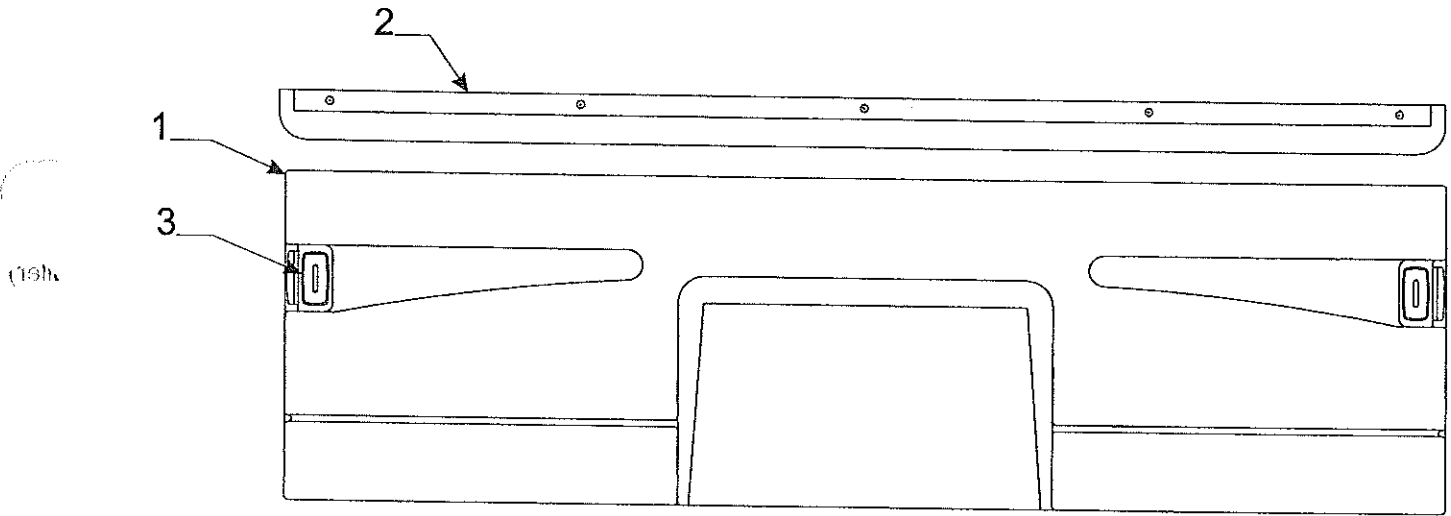


Storage box components - 3651,78,81,94,95,96

Flat Rate	Code	Part #	Description	Flat Rate	Code	Part #	Description
1.50	1	4753F5851	lid/deck assy. (Complete)				
.65	2	4753B1301	lid hinge	.50	17	4757-1781	plastic door hinge
		1014T10068	machine screw x13			4720D2361	hinge pin w/push nuts m2
		1201B6958	keps nut x13	.15	18	4751D8301	cam lock w/o-ring
	3	4753A6391	stove strap		19	4716C4971	trim tape (5' pc.) GT
.10	4	4720A0721	cooler clip m2			4716B2431	trim tape (5' pc.) GTE
	5	4753D2551	stove storage brkt.	2.00	20	4754C1531	front ABS body panel (all)
	6	4751B1181	prop rod	.15	21	4714J08481	amber lens & base
		4751-1208	push nut	.15	22	4741C6041	latch w/out lock tab x3
		4751B1191	prop rod bracket			4741A9101	hex head tek screw m10
.25	7	4751-0921	cargo light	.15		4744B2468	screw x4 (side latches)
		4741D96568	expansion rivet m25			1201B6958	keps nut x4 (side latches)
.15	8	4734-2431	snap clip m4	.15		4749B1441	strike m2 (used x4)
*	9	4716A1761	floor covering 4' x 7 1/2' pc.			4741D96568	expansion rivet m25
.40	10	4060000588P	lid seal package (12' pc.)	.15	23	4715F5051	latch w/lock tab (cs only)
.75	11	4754D1041	end rail w/double stick tape	*	24	4754C5601	front wood wall panel (all)
.40	12	4060000404P	deck seal pkg. (20' pc.)	.25	25	4716-1331	water heater door
.25	13	4757A2021	storage door strike	1.80	26	4754F1981	rs ABS side pnl.
	14	4358800015P	vhb joint tape (16' pc. pkg.)	1.50	27	4754-2001	floor seam divider 86" pc.
1.80	15	4754F1971	cs ABS box side panel	.15	28	4758-0181	chrome thumb turn assy.
.45	16	4757B1771	compartment door (less lock)				

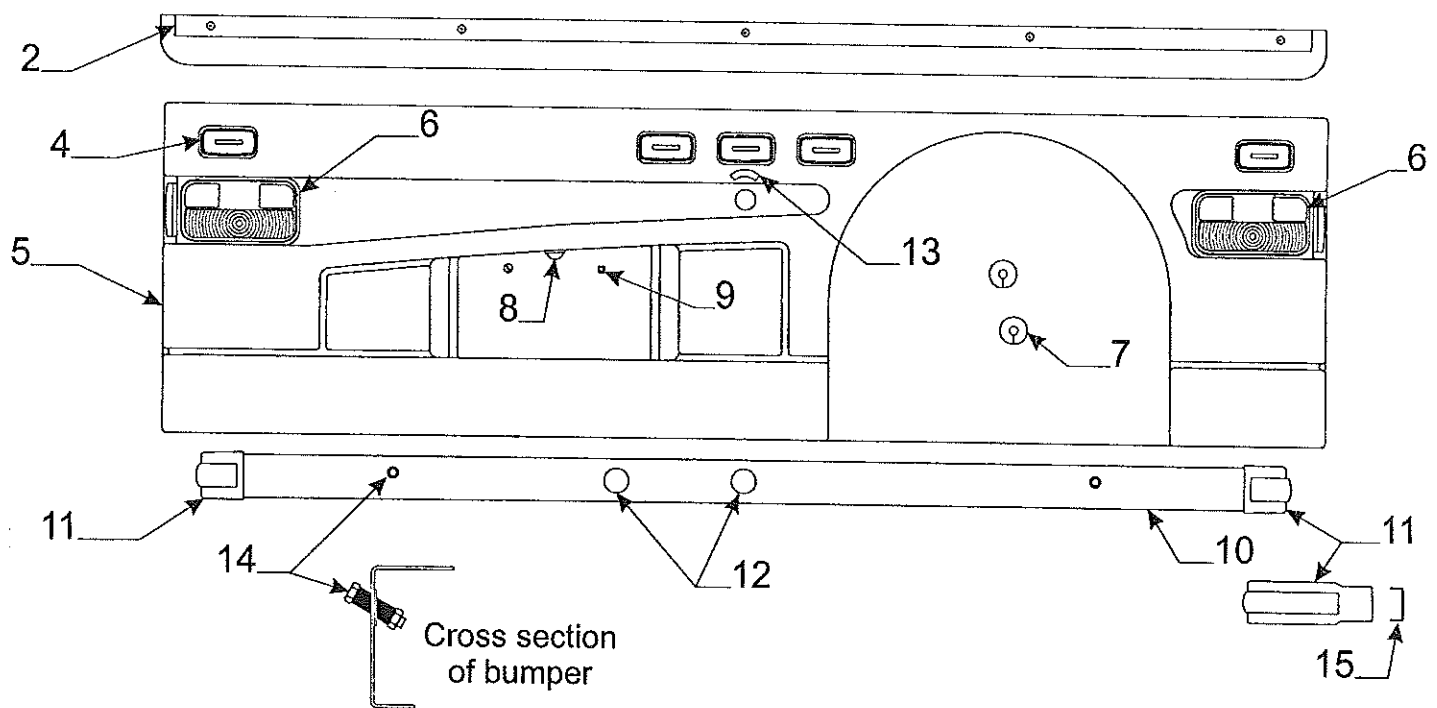
Note: door includes seal

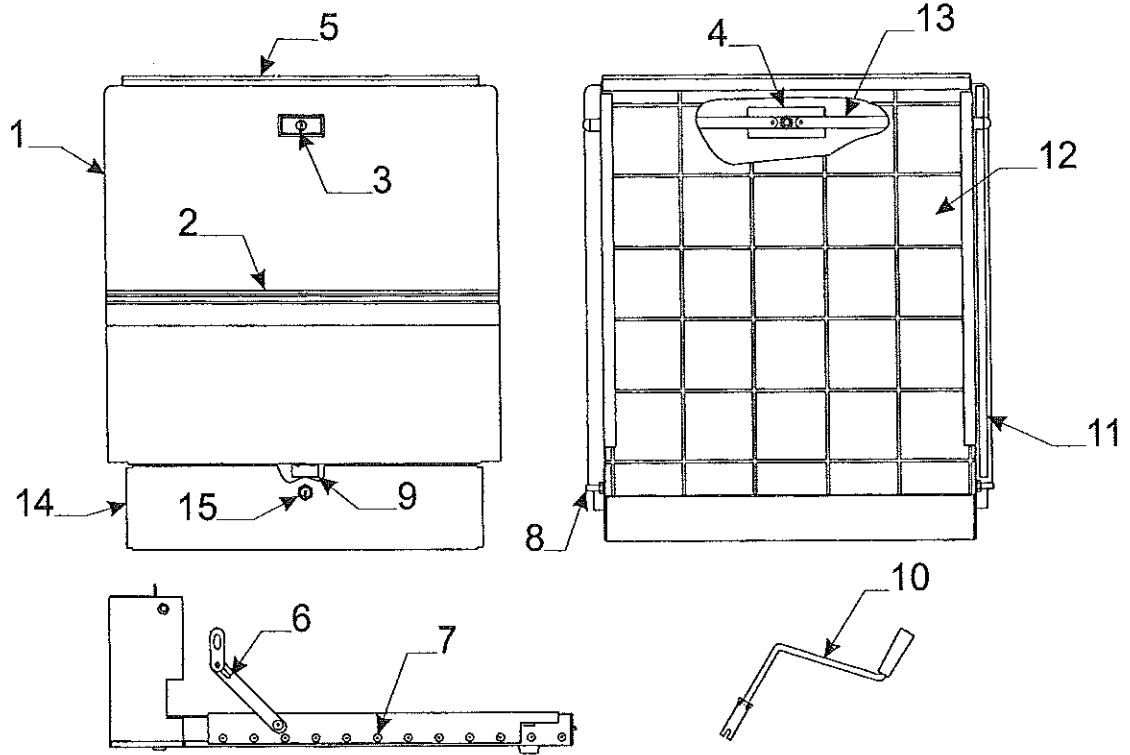
* Prior authorization from factory needed



* 1.50 Flat Rate Front Panel / 2.50 Rear Panel

Front & Rear ABS Body Panel Components							
Flat Rate	Code	Part #	Description	Flat Rate	Code	Part #	Description
*	1	4757-1701	frt. body pnl. (except box models)	.05	9	4732-1181	plastic grommet m4
			Note: refer to page 8 for frt. pnl. on box models	.05		1121C1618	license plate screw x2
.75	2	4754C1041	front end rail (all)	.30	10	4757-2381	bumper 3688,89
		1107E10128	10 x 3/4" screw "ss" (x5 per rail)	.30		4756B2371	bumper (all except 3688,89)
.15	3	4714J08481	amber marker light x4	.10	11	4753C2051	bumper cap pkg. 3688,89
.10		4716A4571	amber lens (lens only)	.10		4753C2041	bumper cap pkg. (all except 3688,89)
.25		4733H1311	socket & harness		12	4756-9761	2" hole plug "black"
		4747-2558	expansion rivet m25	.10	13	4730H3188	"open" decal
.15	4	4714J08581	red marker light x7	.10	14	4757-4531	bolt x2
.10		4716A4561	red lens (lens only)	.25		4757-4541	bolt collar "black tube" x4
			refer: to code # 3 for hardware			1202B1068	washer x2
.20	5	4754B0961	rear body pnl. (All)			1201B6068	nut x2
.10	6	4749B4321	taillight	.20	15	4757-3581	bumper brkt. (3688,89)
		4716A1061	taillight lens			4757-3601	bumper brkt. (all except 3688,89)
		4747-2558	expansion rivet m25				
.10	7	4754-3871	foam gasket m2				
.15	8	4739B4311	tag light				



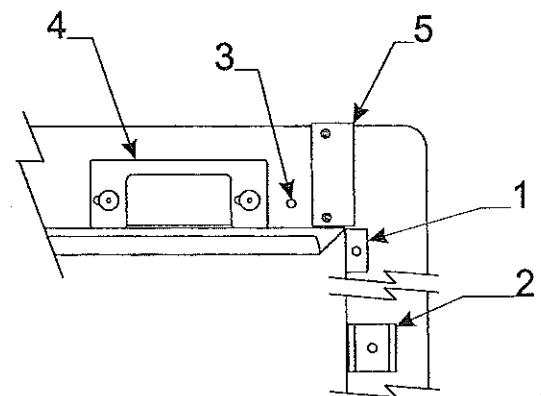


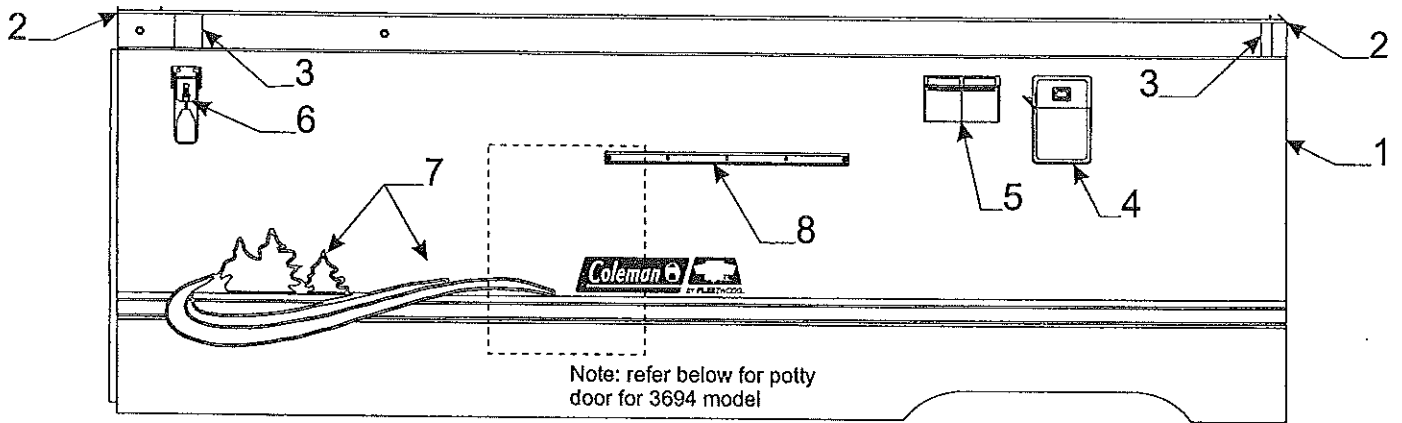
4754C6931 Access Door Assembly "complete" less trim tape

FLAT RATE 1.25 complete door assembly

Flat Rate	Access Door Component Parts	Flat Rate	Access Door Component Parts				
Code	Part #	Description	Code	Part #	Description		
1.00	1	4754B4741	door skin	8	1006B2428	bolt x2	
	2	4716C4971	grand tour trim tape pkg. (5' pc.)		1201B5188	nut (to affix bolt to door)	
		4716B2431	gt elite trim tape pkg. (5' pc.)		1201B6448	nut (affix door to to train)	
1.00	3	4730C3111	lock handle (with key)		1202B0468	washer m10	
		4716-056	screw x2	.10	9	4747A2521	latch angle w/rivets
		1201B6958	keps nut x2		10	4747G4141	crank handle
1.00	4	4741-1438	reinforcement plate	.20	11	4060025006P	foam tape pkg. (4' pc.)
.25	5	4757-9451	access door cap	1.00	12	4754A4751	step covering
		1203-8641	rivet m25	1.00	13	4741A6551	lock bar assembly
.15	6	4744-6981	swing arm pkg. (w/rivet & washer)	.25	14	4754-6921	lower dr. w/hinges - less lock
		1203C8721	rivet m25			1203-8951	rivet m25 (affix door in place)
		1202B0468	washer m10	.25	15	4751D8301	lock assembly w/o-ring
	7	4733G0601	rivet "blk" m25				

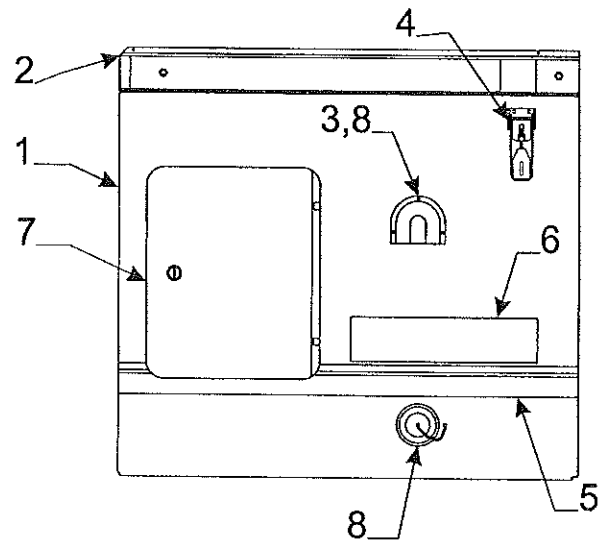
Flat Rate	Lift Trim & Bed Slides		
Code	Part #	Description	
.15	1	4754-8491	plastic bed rest & screw
.15	2	4754-8921	plastic bed ramp & screw
	3	4741A9101	hex head tek screw m10
.25	4	4734L4111	lift trim m4
		4753A3941	rubber gasket m4
		1203-8831	rivet m25
		4350000082P	1/4" x 1/4" foam tape (4' pc.)
.15	5	4757A3441	body rail end cap pkg. rt./lt.
		1203-8651	rivet m25





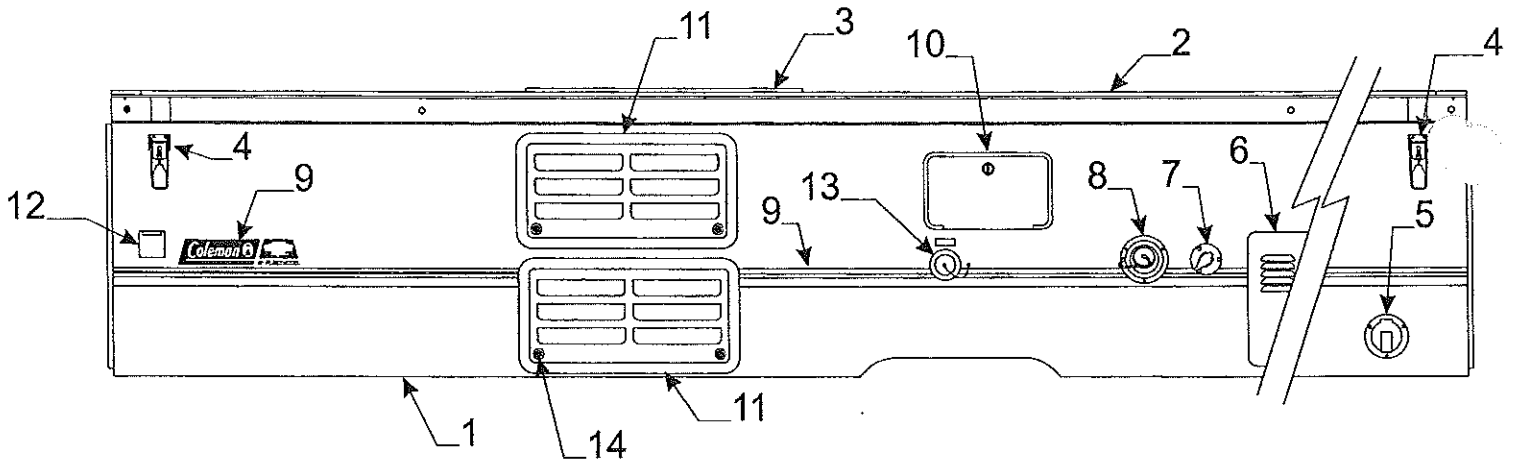
Curbside Rear Body Panel Components				Curbside Rear Body Panel Components			
Flat Rate	Code	Part #	Description	Flat Rate	Code	Part #	Description
1.00	1	4754G0151	csr body panel 3688,89	.25	5	4746A3861	duplex cover & outlet
.85		4756B4361	csr body panel 3651,81,78,95	.35		4746-3871	duplex box
1.00		4754G2131	csr body panel 3691			1203-8678	rivet m25 (rivet box to pnl.)
1.00		4757E2441	csr body panel 3694	.15	6	4741C6041	top latch (w/o lock tab)
1.00		4754J1601	csr body panel 3696			4749-4848	foam pad
1.00	2	4754F0991	csr body rail 3688,89			4741A9101	tek screw m10
1.00		4756A4331	csr body rail 3651,78,81,94,95	.50	7	4716P2101	GT trim tape & hardware kit
1.00		4754D2241	csr body rail 3691	.50		4716A5181	GTE trim tape & hardware kit
1.00		4754E1561	csr body rail 3696	.25	8	4750A8481	stove support brkt.
.10	3	4723A8071	velcro hook 2x2 m4			4745-3968	screw
.10		4350000005F	3/4"velcro hook (sold/yard)			4744C2461	torx screw m2
.25	4	4757A1881	porch light			1201B6958	nut x2
.10		4716A1881	porch light lens				
.05		4716-1891	12 volt plug m4				

Curbside Front Body Panel Components			
Flat Rate	Code	Part #	Description
.85	1	4754B8501	csf body panel 3688,89
1.00		4756C4351	csf body panel 3651,81,94
.85		4754D2121	csf body panel 3691
.85		4754D1581	csf body panel 3696
1.00		4755L0431	csf body panel 3695
.85		4755D3461	csf body panel 3678
1.00	2	4754F0981	csf body rail 3688,89
1.00		4758-0371	csf body rail 3651,81,94,95
1.00		4754D2231	csf body rail 3691
		4755D3501	csf body rail 3678
1.00		4754F1571	csf body rail 3696
		Note: refer to code #3, above for velcro	
	3	4757-9261	vent cover "plastic"
.15	4	4715F5051	top latch (w/lock tab)
.50	5	4716P2101	GT trim tape & hardware kit
.50		4716A5181	GTE trim tape & hardware kit
.25	6	4754E3658	Sea pine name decal 3688
.25		4749L4438	Santa fe name decal 3689
.25		4755C4728	Mesa name decal 3651
.25		4755C4738	Utah name decal 3681
.25		4757A8148	Sun Valley name decal 3691
.25		4754E3808	Westlake name decal 3694
.25		4751J0658	Cheyenne name decal 3696
.25	*	4753F2348	Niagara name decal 3695
.25	*	4756D3498	Bayside name decal 3678
.25		4755C4818	CP decal 3689,81



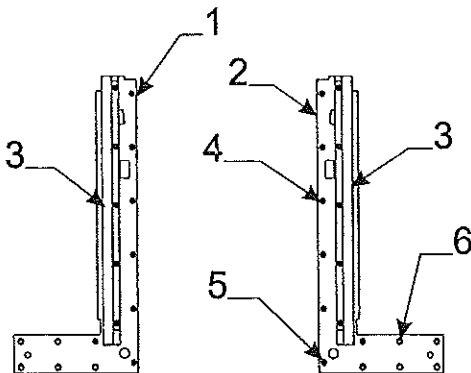
Curbside Front Body Panel Components			
Flat Rate	Code	Part #	Description
.50	7	4759-6341	potty hatch dr. 3695,94
		4733D0601	rivet x2, m25
		4757-8711	frame angles x2
		4350000028P	3/4" butyl tape pkg. (6' pc.)
		4060000402P	black d-seal pkg. (6' pc.)
.15		4754-4911	lock & o-ring
.10	8	4714A2861	cap & strap

*Note: Decal located on csr body panel on units 3678, 3795

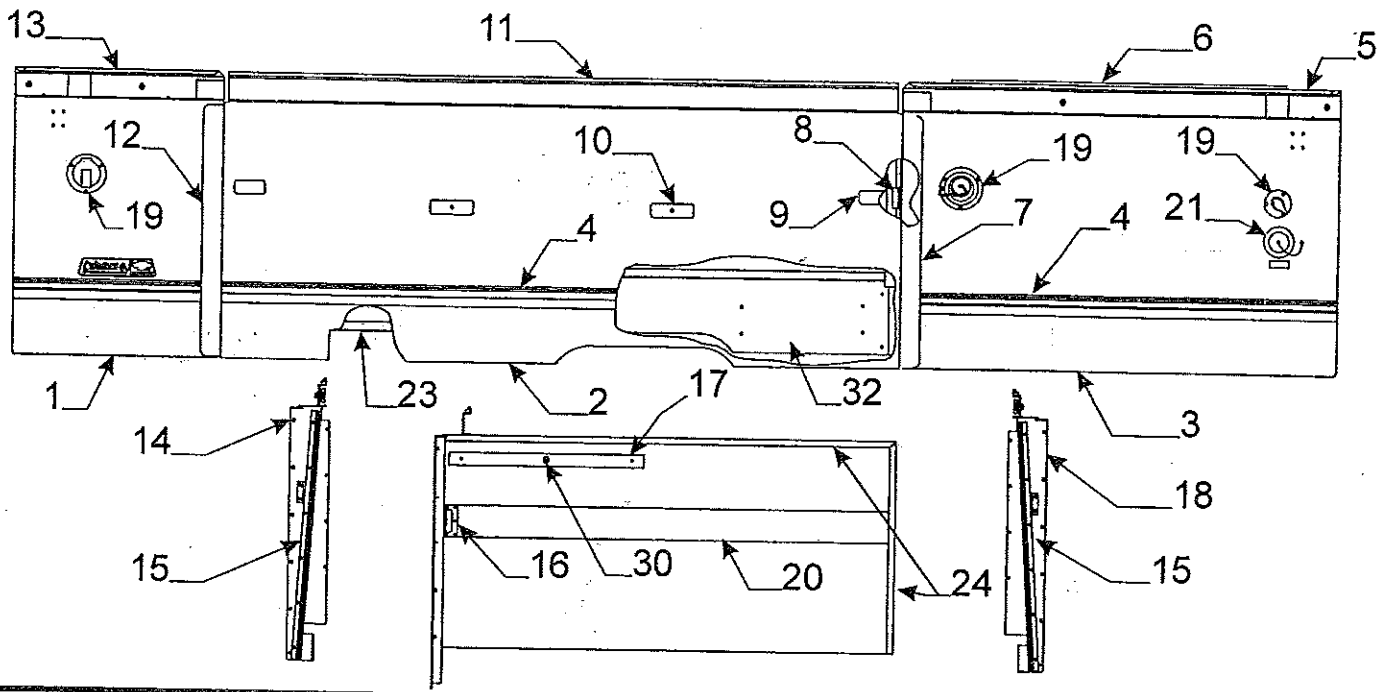


- * Add .50 with water heater
- * Add 1.00 for reefer vents
- * Add .50 for heater vent

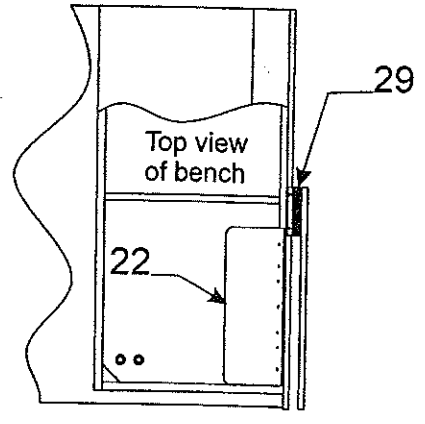
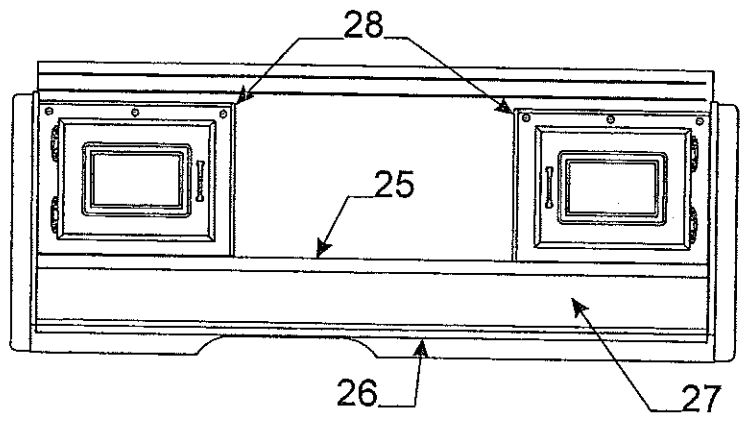
Flat Rate	Code	Part #	Description	Flat Rate	Code	Part #	Description
2.00*	1	4754F3751	rs body panel 3688	.25	6	4716-1331	water heater door
2.00*		4754J0181	rs body panel 3689	.30	7	4732F1521	city fill
2.00*		4756D4341	rs body panel 3651			4741-3508	hex head tex screw x3
2.00*		4757B8281	rs body panel 3691	.30	8	4731D1711	water tank fill spout
2.00*		4754J3791	rs body panel 3694	.75	9	4716P2111	GT trim tape & hardware kit
2.00*		4754J1591	rs body panel 3696	.75		4716B2451	GTE trim tape & hardware kit
3.00	2	4754D3251	rs body rail 3688,89,96	.25	10	4750B5861	o/s shower complete
3.00		4754D9121	rs body rail 3651,91,94	.15		4716-2181	shower head
		4757-0731	wire grommet & nut	.20		4716-2191	shower hose
		4733D0601	rivet m25	.15		4750A2961	lock assy. w/key
		4723A8071	velcro hook 2x2 m4	.50	11	4747D8341	refrigerator vent "plastic"
.25	3	4737D2231	curtain track			4757-0691	rivet "alum." m25
		1203-8678	rivet m25 (rivet track to rail)			4757-8301	reefer brkt. "long" x4
.15	4	4741C6041	top latch			4757A8071	reefer brkt. "small" x4
		4749-4848	foam pad	.25	12	4757-4871	coax cover "plastic"
		4741A9101	tek screw m10			4754-4908	screw "white" x2
.15	5	4733B23361	cable hatch	.10	13	4714A2861	drain cap & strap
		4741-3508	hex head tex screw x3	.10	14	4716-4441	reefer vent clasp m4



Flat Rate	Code	Part #	Description
1.25	1	4754-6951	csf bulkhead (all)
1.25	2	4754-6961	csr bulkhead (all)
.35	3	4745B0811	rubber door seal
	4	1203-8641	rivet m25
	5	1203-8978	countersunk rivet m25
	6	4744A0501	hex head tek screw m25



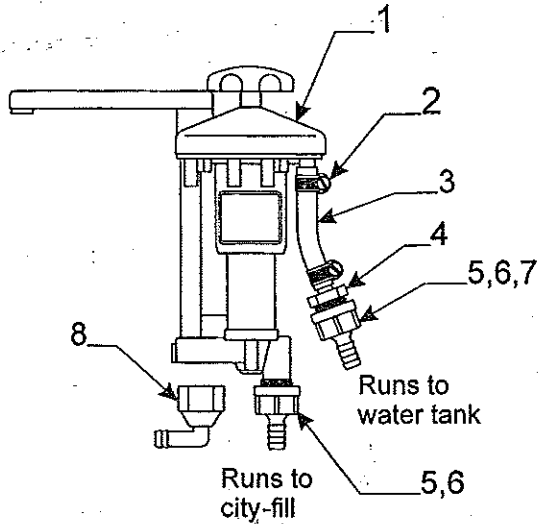
Flat Rate	Code	Part #	Description	Flat Rate	Code	Part #	Description
1.50	1	4757A9161	left front body panel (all)	1.00	13	4755C3491	left front body rail (all)
1.00	2	4757B5411	glide-out body panel 3681,78,95	1.65	14	4757D5501	bulkhead left front (all)
		Note: oss hole must be cut on models 3678,95		.35	15	4755-3911	glide-out seal track (all)
1.50	3	4755E3441	left rear body panel 3678		16	4064700589P	side seal "black" pkg. (8' pc.)
1.50		4757C0961	left rear body panel 3695	.15	17	4756-2171	lock boot w/cover plate
1.50		4756D3281	left rear body panel 3681	.25	18	4754-3811	vel-stick (must cut to size)
.75	4	4716P2111	trim tape & hardware kit 3681	1.65	19	4757C5511	bulkhead left rear (all)
.75		4716B2451	trim tape & h/ware kit 3678,95		20	Note: refer to page 12 for this item	
1.00	5	4756A3221	left rear body rail (all)	.50	21	4756-8471	ABS ware strip x2
		4757-0731	wire grommet & nut		22	Note: refer to page 14 for this item	
.25	6	4737D2231	curtain track	.40	23	4756A6131	metal flip-up backrest x2
		1203-8678	rivet m25 (rivet track to rail)	.20	24	4756-2651	3/4" wht. L- channel 48" pc.
.25	7	4716-8041	angle seal pkg. frt./rr (all)	.20	25	4756C1461	U-channel 48" pc.
		4060000023P	d-seal pkg. "white" (5' pc.)	.50	26	4757B2161	edge cap "painted maple"
.75	8	4756A4171	strike w/screws	.50	27	4757-2351	floor sweep
		4756-3251	shim	.25	28	4756B6041	wood kick plate assy.
.75	9	4755-4091	latch & gasket		29	Note: Refer to page 26 for bench components	
.75	10	4756-1181	pull handle	.10	30	4756-1151	5 1/2" brush seal
		4738-2608	tek screw "black"		31	4730A3548	stud w/screw
.75	11	4756C1291	glide-out body rail (all)	1.25	32	3568803202P	ware plate "galvanized" 30x55
.25	12	4716-8041	angle seal pkg. frt./rr (all)			(Note: Loc. on bottom of floor)	
		4060000023P	d-seal pkg. "white" (5' pc.)	1.25		4757A5601	glide-out cover plate assy. "black"



1

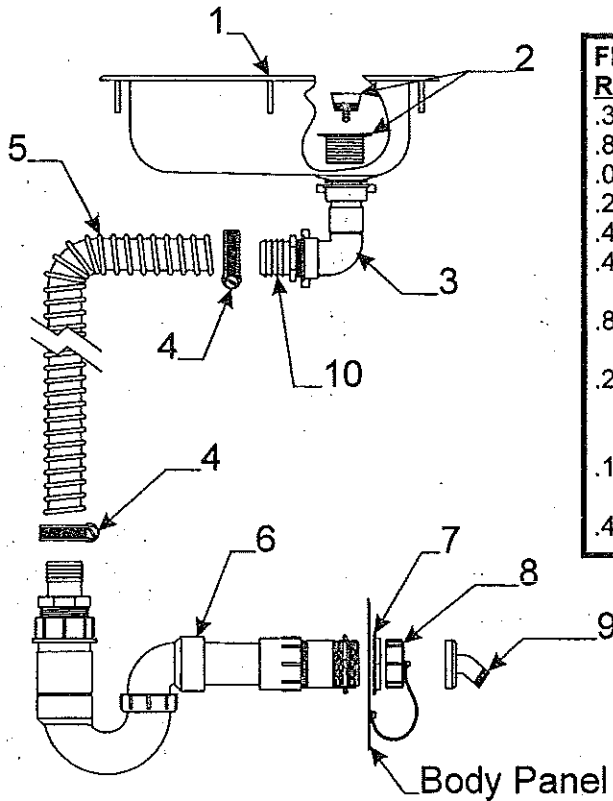
2

3

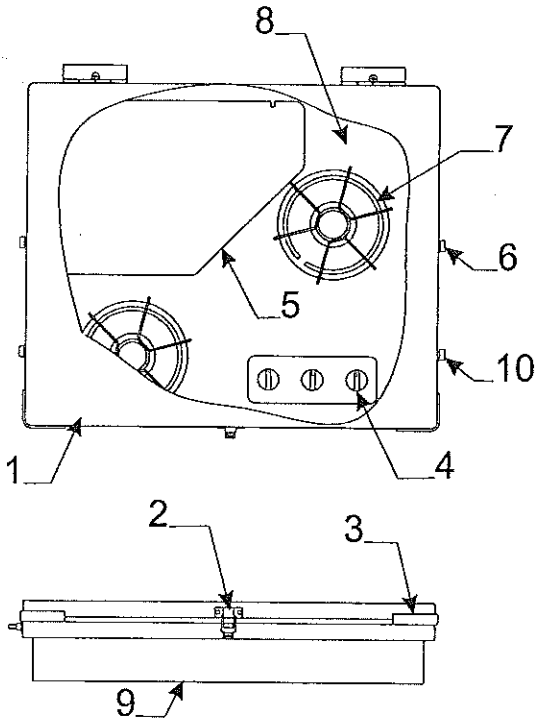


Flat Rate	Hand pump & related parts	Code	Part #	Description
.40	1	4734D0161	hand pump	
		4716-081	screw x4	
	2	4731-3058	adjustable hose clamp	
.35	3	4714-038	3/8" h.p. hose (sold/foot)	
.20	4	4732-4561	male adapter	
.20	5	4741-9568	barbed adapter	
.20	6	1202-5828	rubber washer	
.20	7	4754-4418	round filter screen	
.20	8	4741B9061	street elbow	

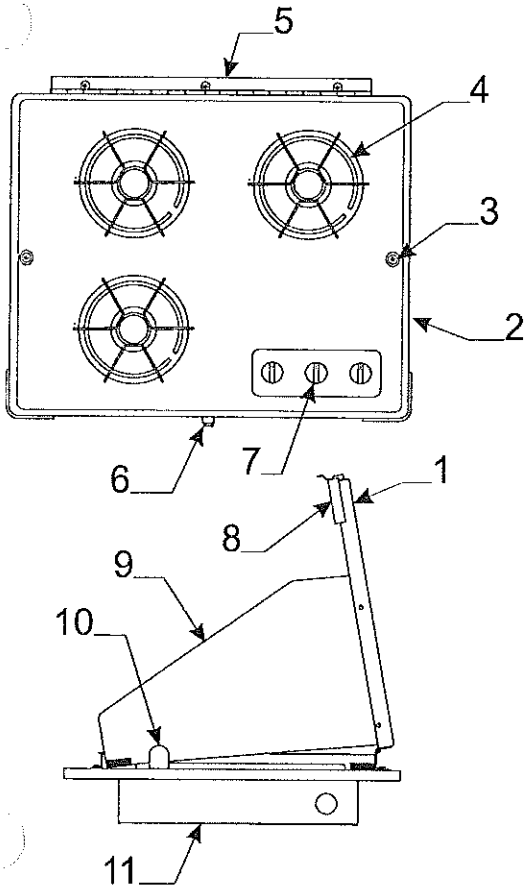
TO ORDER REPAIR PARTS
 FOR MODEL # 150-000-00 SHURFLO PUMP
 CALL: 1/800-854-3218 GARDEN GROVE, CA..
 CALL: 1/800-762-8094 ELKHART, IN.



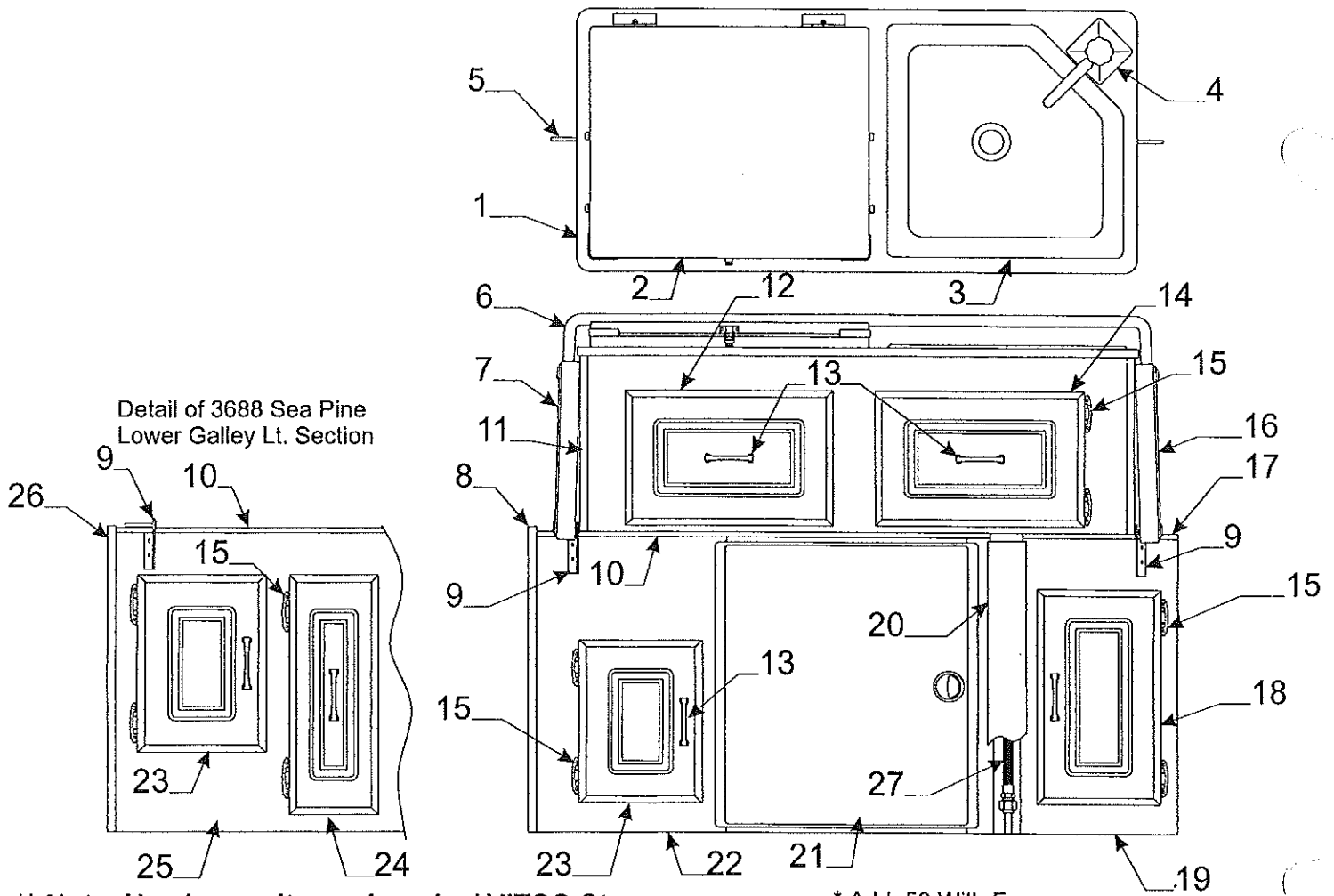
Flat Rate	Sink & Component parts	Code	Part #	Description
.30	1	4710F0301	sink "stainless"	
.80		4745D2801	sink "porcelain"	
.05	2	4714B0661	crumb cup "only"	
.25		4730E3151	crumb cup & basket	
.40	3	4757-0861	elbow, nut & washer	
.40		* 4757-9131	black rubber washer	
	4	4715-4501	1 1/4" hose clamp	
.80	5	4060012503P	1 1/4" drain hose pkg. (10' pc.)	
	Note: must cut hose to length			
.20	6	4758A5431	drain trap assy (all except 3694)	
		4758-5701	drain trap assy. 3694 only	
	7	4757-0851	nut	
.10	8	4714A2861	cap & strap	
	9	4737-9138	drain adapter	
.40	10	4757A0871	adaptor 1 1/4" barb - 1 1/2"	



Flat Rate	Code	Part #	Description
.15	1	4741F6261	stove cover assy. 3689,51,91,96,78
.15		4741F62681	stove cover assy. 3681,88,94,95
.15	2	4733-4018	stove cover latch
		1203-8558	rivet m25
.15		4733-4028	stove cover strike
	3	4732A2291	edge molding m2
.05	4	4716-1861	knob
.25	5	4741G4131	stove fin 3689,51,91,96,78
.25		4746-8531	stove fin 3681,88,94,95
.25		4741A4401	hinge x2
		1203-8558	rivet m25 (rivet hinge to fin)
.05	6	4716A0881	thumb screw m6
.05	7	4752A9881	stove grate x3
.15	8	4746A8561	3 burner cook top "white" (all)
.75	9	4739G2931	3 burner stove box (all)
	10	4746-8661	plastic thumb screw & nut m6



Flat Rate	Code	Part #	Description
.15	1	4741G6261	stove cover assy. 3689,51,91,96,78
.15		4741G62681	stove cover assy. 3681,88,94,95
.15	2	4746B8561	3 burner cook top "white" (all)
.05	3	4716-2631	stove top screw/washer m2
.05	4	4752A9881	stove grate x3
.10	5	4716-2671	stove cover hinge
.15	6	4733-4018	stove cover latch
.15		4733-4028	stove cover strike
.05	7	4716A1861	knob m3
	8	4732A2291	edge molding m2
.25	9	4716-2661	stove fin "right" 3689,51,91,96,78
.25		4716-2651	stove fin "left" 3681,88,94,95
.15	10	4716-2461	stove fin stay brkt. m2
.75	11	4739H2931	3 burner stove box (all)

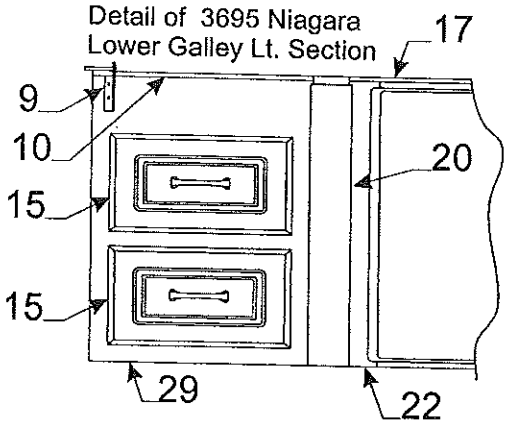


**** Note: Used on units equipped w/ VITCO Stoves**

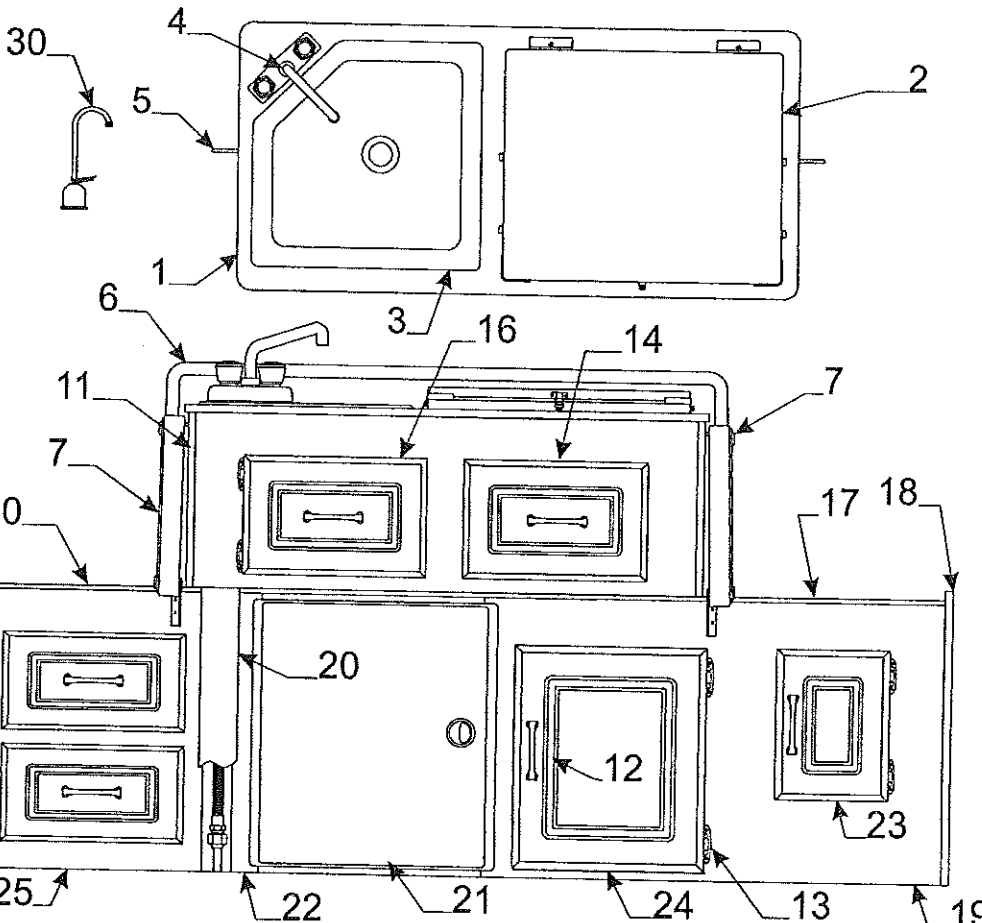
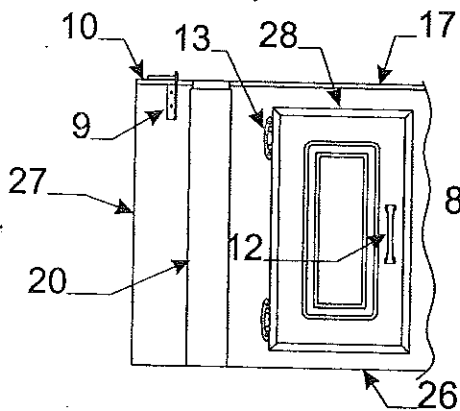
*** Add .50 With Furnace**

Flat Rate	Code	Part #	Description	Flat Rate	Code	Part #	Description
1.00	1	4754F8241	galley top w/o hot water 3689,96	1.00	10	*4754E8391	lower galley top lt. 3689,96
1.00	**	4754G8241	galley top w/o hot water 3689,96	1.00		*4756C0391	lower galley top lt. 3688
1.25		4755F8141	galley top w/hot water 3689, 96	.20		4746C0971	kill switch m4
1.25	**	4755G8141	galley top w/hot water 3689, 96	.65	11	4716D0151	3/8" f-channel 24" pc.
1.00		4757A8291	galley top w/o hot water 3688	.15	12	4756B9001	drawer frt. 15 5/16" x 10"
1.00	**	4757B8291	galley top w/o hot water 3688	.15		4758D6741	drawer assembly
1.25		4752K9071	galley top w/hot water 3688			4755-4481	cutlery tray
1.25	**	4752L9071	galley top w/hot water 3688	.10	13	4755A2681	door pull w/screws
.30		4060462507P	t-molding pkg. (14' pc.)	.15	14	4756B9001	door pnl. 15 5/16" x 10"
.80	2	Note: refer to page 15 for stove components				4755-4471	spice rack (plastic)
.40	3	4745D2801	sink "white porcelian"	.10	15	4745C26188	hinge (spring loaded)
		Note: refer to page 14 for sink components		.15	16	4757B1951	plastic chain cover (right)
1.00	4	4734D0161	hand pump w/o hot water	1.00	17	*4754B8381	lower galley top rt. 3689,96
		4716-081	screw x4	1.00		*4756A0401	lower galley top rt. 3688
		4745E2741	mixer faucet w/hot water	.15	18	4757-4631	door pnl. 16" x 9 1/8"
.75	5	4756A6631	upper galley pivot brkt. (lt. & rt.)	1.00	19	*4754C8401	lower galley frt. rt. 3689,96
		4734E1861	rivet "elm" m25	1.00		*4756C0361	lower galley frt. rt. 3688
1.00	6	4756F1511	galley lift bar (all)	.25	20	4750F6731	filler assembly (all)
		4744-6321	chain assy x2 per bar	.50	21	4754A0481	built-in cooler (all)
.15	7	4757B1941	plastic chain cover (left)	.75	22	*4754C8421	lower galley frt. lt. 3689,96
.75	8	*4754E2611	seat gazoodi 3689	.15	23	4756A8961	door pnl. 12" x 9"
.75		*4754G0581	seat gazoodi 3696	.15	24	4757-4581	door pnl. 18 1/2" x 8 3/4"
.30		4060400091P	lipped t-molding 12' pc. Pkg.	.75	25	*4756C0371	lower galley frt. lt. 3688
.60	9	4716A1821	lower galley brkt. pkg.	.75	26	*4754C3431	seat gazoodi 3688
				.25	27	4753-5581	flexible gas hose (all)

Detail of 3695 Niagara Lower Galley Lt. Section



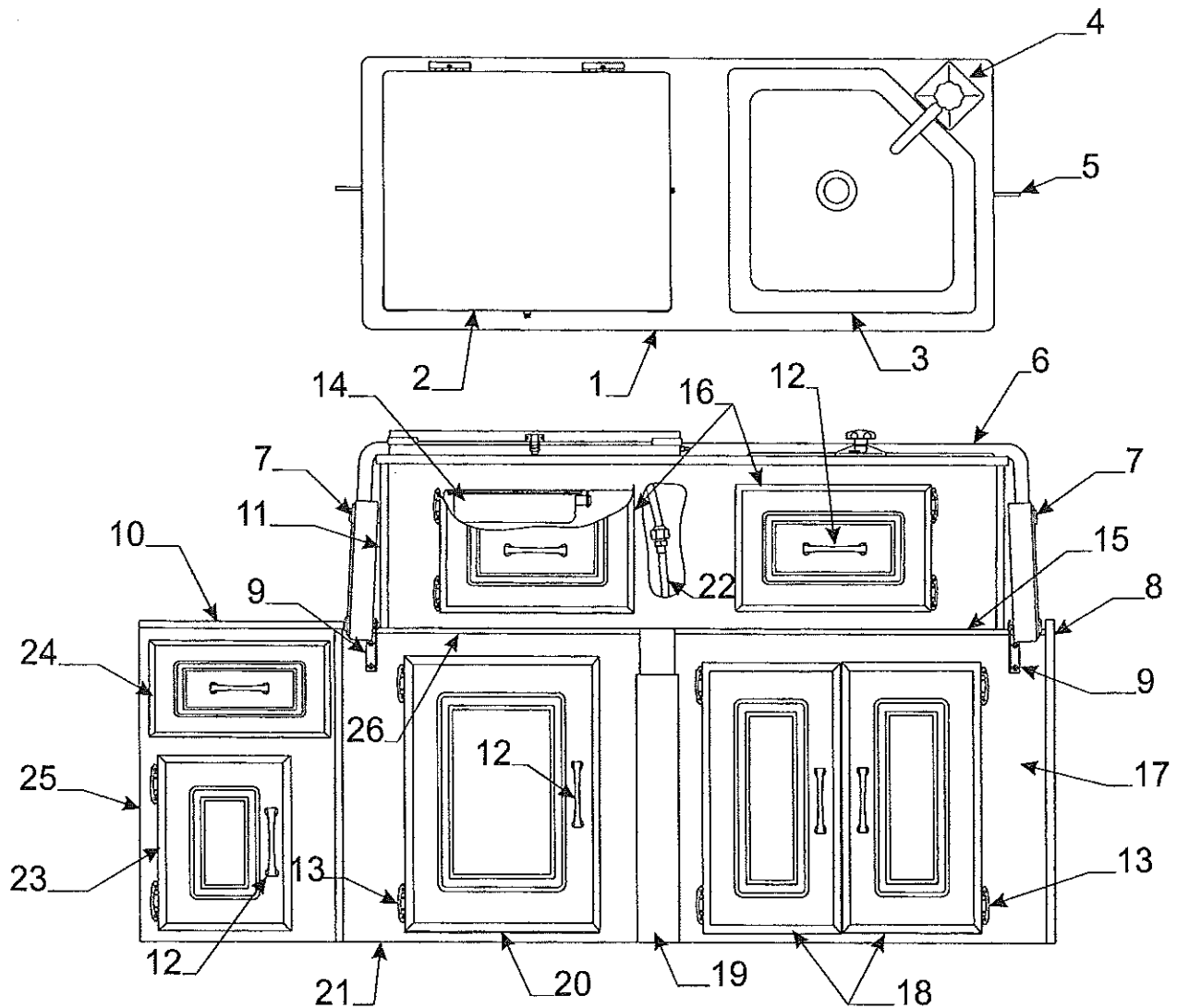
Detail of 3681 Utah Lower Galley Lt. Section



**** Note: Used on units equipped w/ VITCO Stoves**

Flat Rate	Upper/Lower Galley Code	Part #	Description	Flat Rate	Code	Part #	Description
1.25	1	4752K9071	galley top 3681,94 w/hot water	.15	14	4756B9001	drawer frt. 15 5/16" x 10"
1.25	**	4752L9071	galley top 3681,94 w/hot water	.15		4758D6741	drawer assy. (All)
1.00		4757A8291	galley top 3681 w/out hot water			4755-4481	cutlery tray (plastic)
1.00	**	4757B8291	galley top 3681 w/out hot water	.15	15	4756A8991	drawer frt. 3695
1.25		4758-0721	galley top 3695	.15		4756E6371	drawer assy. 3695
1.25	**	4758B0721	galley top 3695	.15	16	4756B9001	door pnl. 15 5/16" x 10"
.30		4060462507P	t-molding pkg. (14' pc.)			4755-4471	spice rack (plastic)
	2	Note: refer to page 15 for stove components				4733-6391	latch & strike pkg.
.80	3	4745D2801	sink "white porcelain"	1.00	17	*4754F3831	lower galley top rt. 3694
		Note: refer to page 14 for sink components		1.00		4757C0441	lower galley top rt. 3681
1.00	4	4745E2741	mixer faucet	1.00		*4757B1621	lower galley top rt. 3695
.40		4734D0161	hand pump	.75	18	4757-4391	gazoodi 3694
		Note: refer to page 14 for pump components		.75		4756B0011	gazoodi 3681,95
.75	5	4756A6631	upper galley pivot brkt. (lt. & rt.)	.30		4060400091P	lipped t-molding 12' pc. Pkg.
		4734E1861	rivet "elm" m25	1.00	19	*4757A2221	lower galley frt. rt. 3694
1.00	6	4756F1511	galley lift bar (all)	1.00		*4754F3281	lower galley frt. rt. 3695,81
		4744-6321	chain assy x2 per bar	.25	20	4750F6731	filler assembly (all)
.15	7	4757B1941	plastic chain cover (left)	.50	21	4754A0481	built-in cooler (all)
.15		4757B1951	plastic chain cover (right)	.75	22	4754B8411	lower galley frt. 3694
.15	8	4757-4641	drawer frt. 3694	.75		4755D4641	lower galley frt. 3695
.10		4758C6501	drawer assy. 3694	.15	23	4756A8961	door pnl. 12" x 9 3694,95
.60	9	4716A1821	lower galley brkt. pkg.	.15	24	4757-4651	dr. pnl. 18 1/2" x 15 1/8" 3694
1.00	10	4756D0541	lower galley top lt. 3694	.75	25	4756G0521	lower galley front 3694
1.00		4756A9341	lower galley top lt. 3695	.75	26	4757B1631	lower galley front 3681
1.00		4752F9231	lower galley top lt. 3681	.65	27	4754C8341	lower galley frt. lt. 3681
.20		4746C0971	kill switch m4	.15	28	4756A8931	door pnl. 18 1/2" x 11 3/4"
.65	11	4716D0151	3/8" f-channel 24" pc.	.75	29	4756A9371	lower galley front lt. 3695
.10	12	4755A2681	door pull w/screws	.40	30	4765A1411	water purifier 3695
.10	13	4745C26188	hinge (spring loaded)			4716-7141	in-line filter

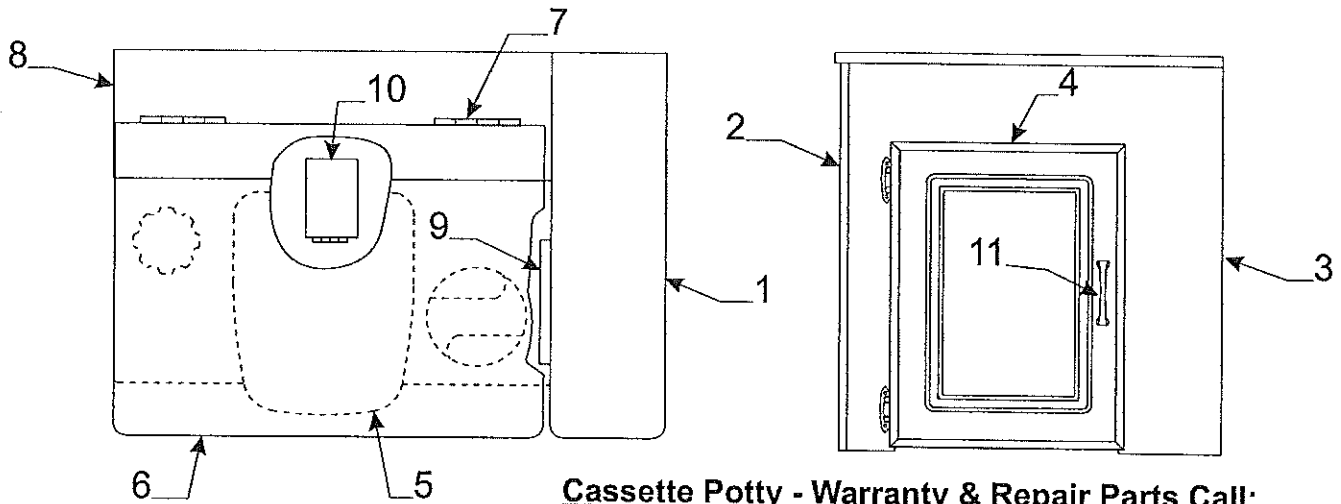
* Add .50 With Furnace



**** Note: Used on units equipped w/ VITCO Stoves**

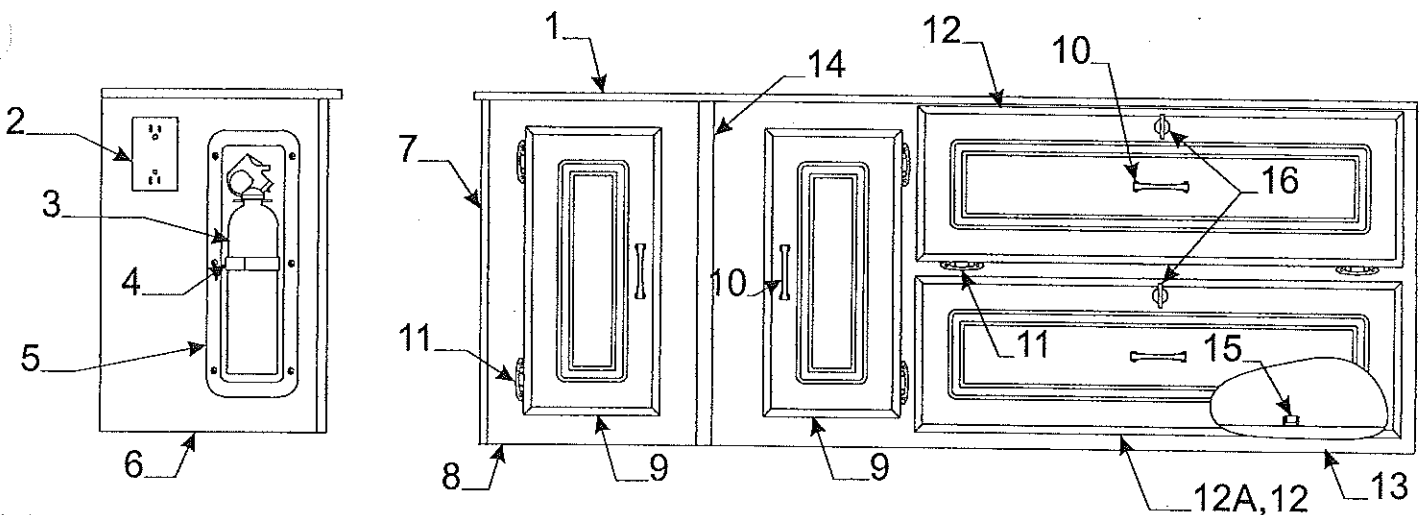
*** Add .50 with furnace**

Flat Rate	Upper/Lower Galley Code	Part #	Description	Flat Rate	Code	Part #	Description
2.00	1	4754G4271	upper galley top w/hot water	.65	11	4716D0151	3/8" f-channel 24"pc.
2.00	**	4754H4271	upper galley top w/hot water	.10	12	4755A2681	door pull w/screws
2.00		4756E4401	galley top w/out hot water	.10	13	4745C26188	hinge (spring loaded)
2.00	**	4756F4401	galley top w/out hot water	.25	14	4716A3911	cutlery tray kit
.30		4060462507P	t-molding pkg. (14' pc.)	1.00	15	4757-8151	lower galley top rt.
	2	Note: refer to page 15 for stove components		.20		4746C0971	kill switch m4
.80	3	4745D2801	sink "white porcelain"	.15	16	4756B9001	door panel
		Note: refer to page 14 for sink components				4755-4471	spice rack (plastic)
.40	4	4734D0161	hand pump			4733-6391	latch & strike pkg.
1.00		4745E2741	mixer faucet	1.00	17	4757-8161	lower galley front rt.
		Note: refer to page 14 for pump components		.15	18	4757-4581	door panel 8 3/4"x 18 1/2"
.75	5	4752A9271	upper galley pivot brkt. (lt. & rt.)	.25	19	4750F6731	filler assembly
		4734E1861	rivet "elm" m25	.15	20	4756A8941	door panel 18 1/2"x 14"
1.00	6	4756B4071	galley lift bar	1.00	21	4757-8171	lower galley front lt.
		4757-6341	chain assy x2 per bar	.45	22	4753-5581	flexible gas hose 48"
.15	7	4757B1911	plastic chain cover (left)	.15	23	4756A8941	door assy. 12" x 9 1/8"
.15		4757B1921	plastic chain cover (right)	.15	24	4756A8991	drawer pnl.
.75	8	4755B2901	seat gazoodi	.10		4756E6371	drawer assy.
.30		4060400091P	lipped t-molding 12' pc. Pkg.	Note: refer to page 27 for drawer compon			
.60	9	4716A1821	lower galley brkt. Pkg.	.75	*25	4756A8771	cabinet front
1.00	10	4756A8791	cabinet top	.75	26	4757D0051	lower galley top lt.
		4747-8941	black plastic cap m2				

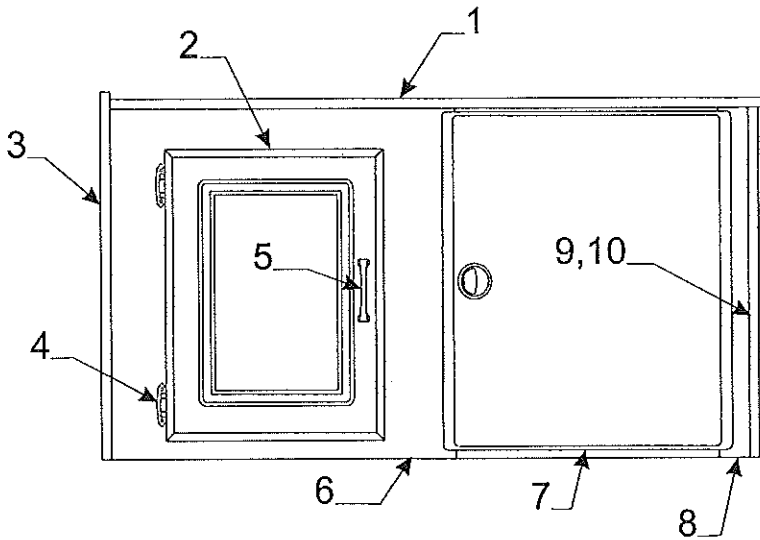


**Cassette Potty - Warranty & Repair Parts Call:
 Thetford - Phone # 1-800/354-4135**

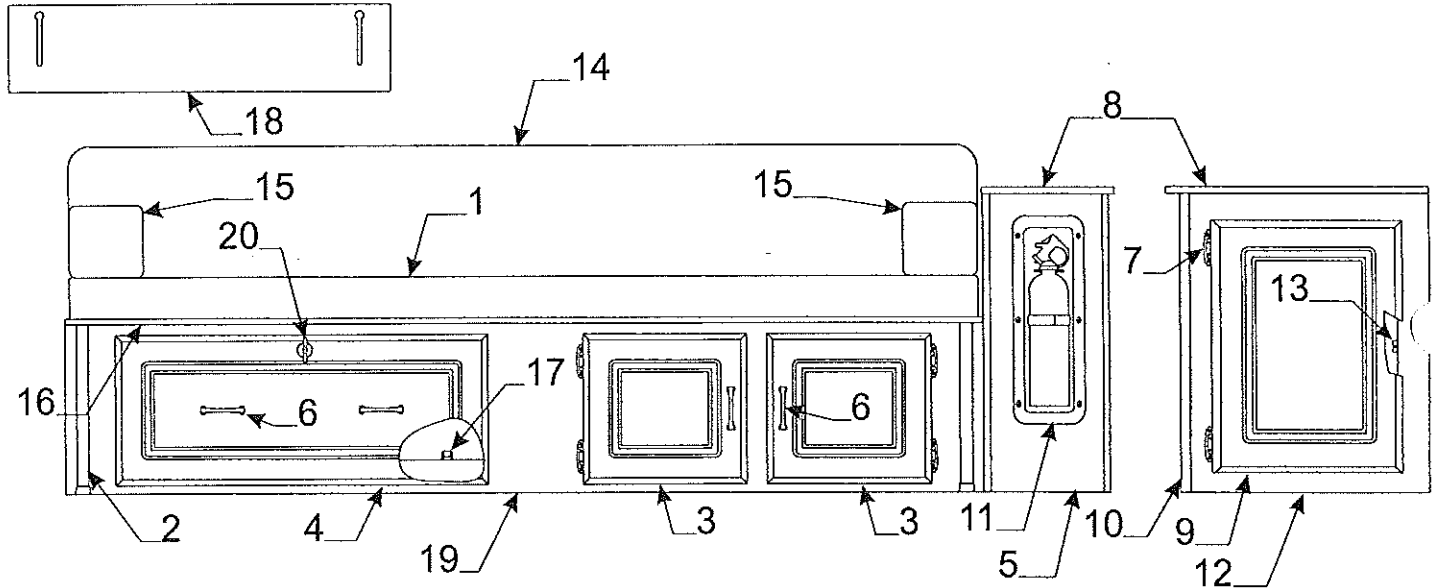
Flat Rate	Potty Cabinet 3681, 3689	Code	Part #	Description	Flat Rate	Code	Part #	Description
.25	1	4750D3871	cabinet top 3681,3689	.75	5	4746C2461	cassette potty 3689	
.30		4060462506P	t-molding pkg. (14' pc.)	.75		4756-2251	cassette polty 3681	
.35	2	4716B1421	5/32" f-channel 24" pc.	.25	6	4754C4541	flip-up lid	
.40	3	4756B4991	cabinet side 3681	.20	7	4750-3921	lid hinge x2	
.40		4751D9961	cabinet side 3689	.10	8	4750D3891	wood filler	
.15	4	4756A8941	door panel 14" x 18 1/2"	.15	9	4750C391	wood lid support rt./lt.	
				.15	10	4755B6911	flip-up lid prop (metal)	
				.10	11	4755A2681	door pull w/screws	



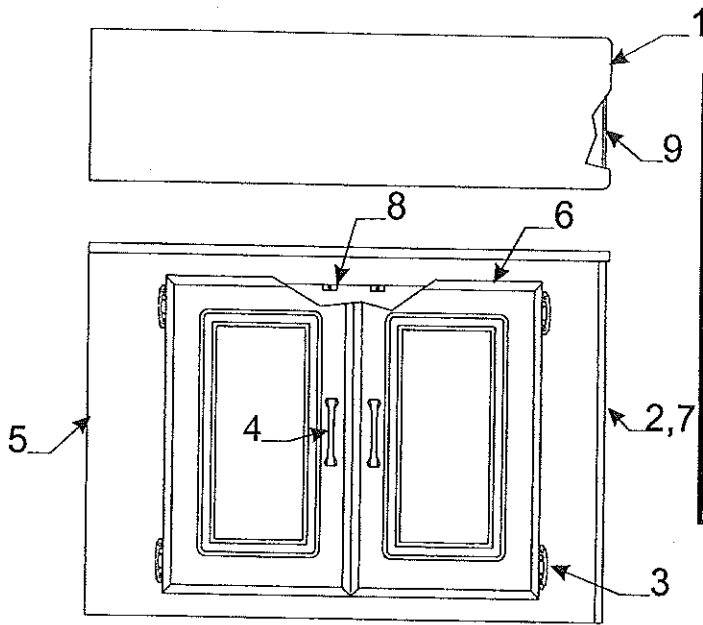
Flat Rate	Curbside Hutch Assy. 3689 Santa Fe	Code	Part #	Description	Flat Rate	Code	Part #	Description
.75	1	4754D0511	hutch top	.15	9	4757-4581	door panel 8 3/4" x 18 1/2"	
.30		4060462506P	t-molding pkg. (9' pc.)	.10	10	4755A2681	door pull (includes screws)	
.20	2	4752-2361	15 amp receptacle	.10	11	4745C26188	hinge (spring loaded)	
.10	3	4737A5558	fire extinguisher	.15	12	4757A8261	door/drawer frt. 301/4" x 9 1/4"	
.05	4	4716-1191	fire extinguisher strap m2	.15	12A	4754F5291	drawer assy. x2	
.15	5	4737B4198	recessed mount				Note: refer to page 27 drawer components	
		4738-3088	screw x6	1.25	13	4754F0551	hutch front "large"	
.55	6	4754D0521	hutch side	1.00	14	4754C054	3/8" h-channel	
.05	7	4716D0151	3/8" f-channel 24" pc.	.10	15	4757-8911	drawer roller guide m2	
.00	8	4754E0491	hutch front "small"	.15	16	4757A9081	brass thumb turn lock	



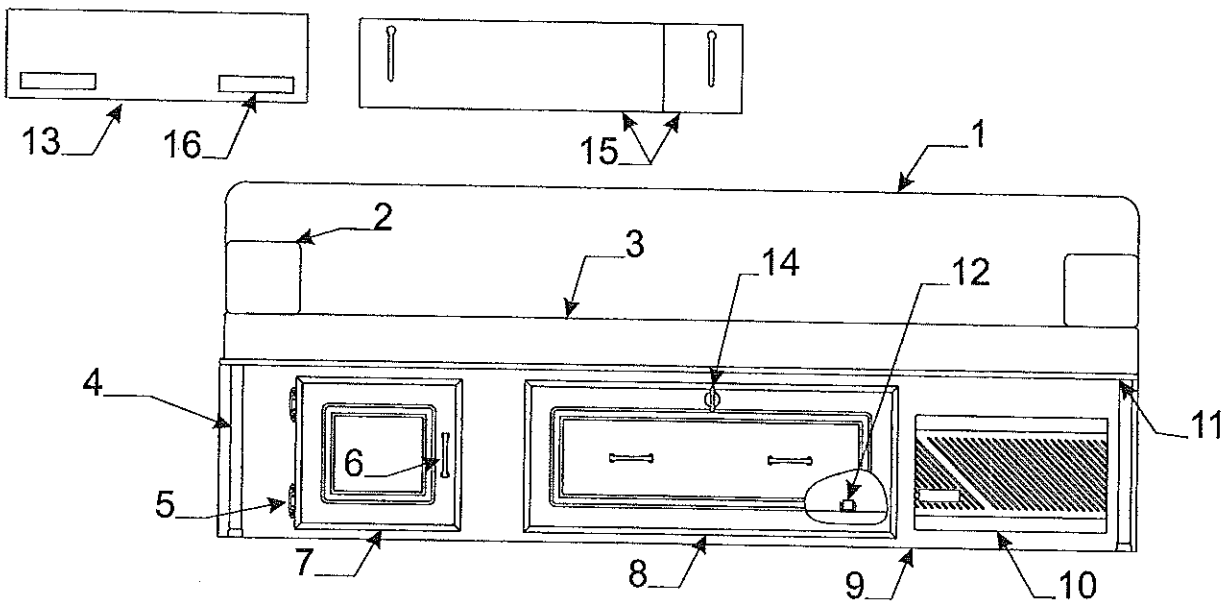
Roadside Hutch Assy. 3691 Sun Valley			
Flat Rate	Code	Part #	Description
1.50	1	4757-8181	hutch top
.30		4060462506P	t-molding pkg. (14' pc.)
.15	2	4756A8941	door panel 18 1/2" x 14"
.75	3	4755B2901	gazoodi
.30		4060400091P	lipped t-molding pkg. (12' pc.)
.10	4	4745C26188	hinge (spring loaded)
.10	5	4755A2681	door pull w/screws
.75	6	4757-8191	hutch front lt.
.50	7	4754A0481	built-in cooler
.75	8	4752F4561	hutch front rt.
.65	9	4716D0151	f-channel 24" pc.
1.25	10	4752F4571	hutch side rt.



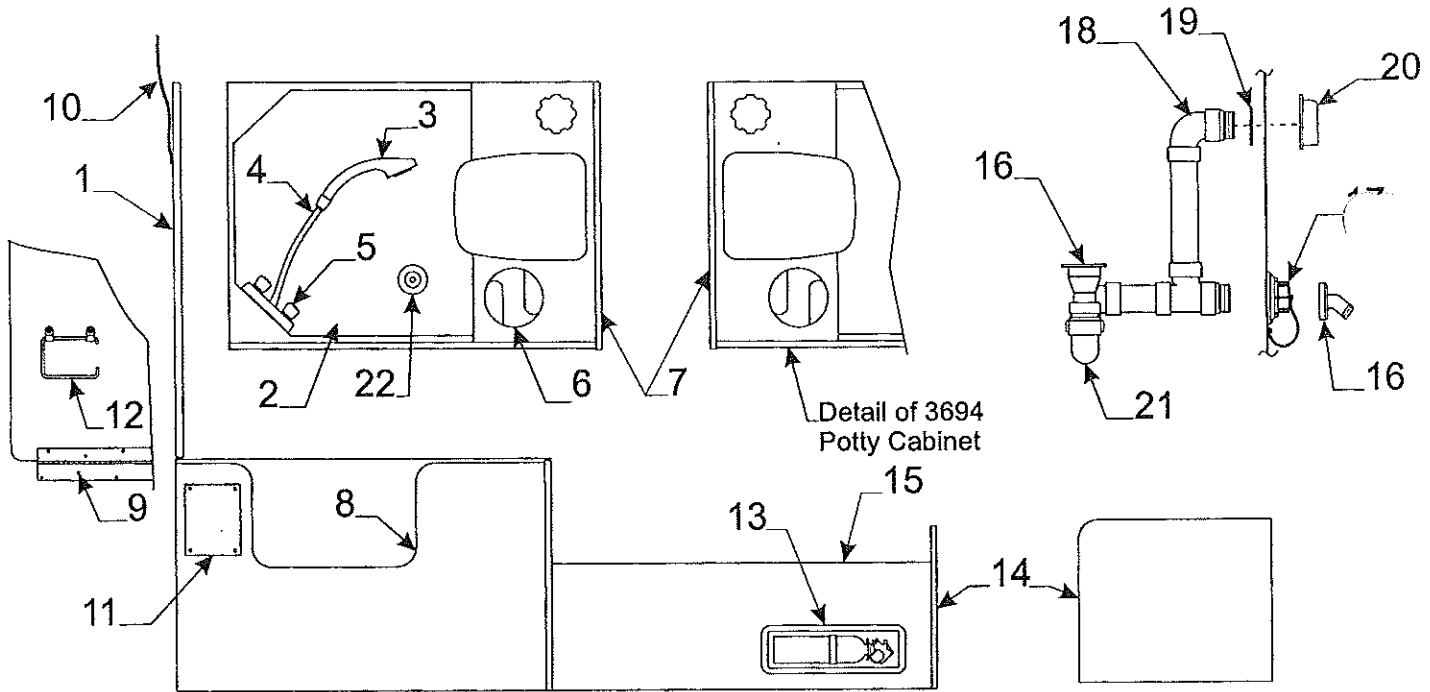
Curbside Hutch/Seat Assembly 3691,96,3681							
Flat Rate	Code	Part #	Description	Flat Rate	Code	Part #	Description
.10	1	4758B6191	cushion assy. (all)	.15	9	4757-4651	door panel 18 1/2" x 15 1/4"
.25		4714B6191	cushion cover	.65	10	4716D0151	3/8" f-channel (24" pc.)
.25	2	4758A6151	cushion leg x2		11		Note: refer to page 21 fire extinguisher
.05		4752-0551	plastic cap m2	.50	12	4754G1621	cabinet side 3696,3681
.15	3	4757-4621	door panel 13 3/8" x 12 1/4"	.15	13	4733-6391	latch & strike pkg.
.15	4	4757A8501	drawer frt. 30 1/4" x 9 1/4"	.10	14	4758B6201	backrest assy. (all)
.15		4759A6321	drawer assy.	.25		4714B6201	backrest cover
			Note: refer to page 27 for drawer components	.10	15	4758B6211	arm rest (all)
1.25	5	4754G1651	hutch front 3681	.25		4714B6211	arm rest cover
1.25		4757A3001	hutch front 3696		16	4755F5561	pull-out platform w/legs
.10	6	4755A2681	door pull (includes screws)	.10	17	4757-8911	drawer roller guide M2
.10	7	4745C26188	hinge (spring loaded)	.40	18	4752B0341	bench top w/slots
.25	8	4754D1631	cabinet top 3696	1.00	19	4756E8251	bench frt. 3681
.30		4060462506P	t-molding pkg. (9' pc.)	1.00		4754J1641	bench frt. 3696
.25		4756C8241	cabinet top 3681	.15	20	4757A9081	brass thumb turn lock
.30		4060475001P	t-molding pkg. (14' pc.)				



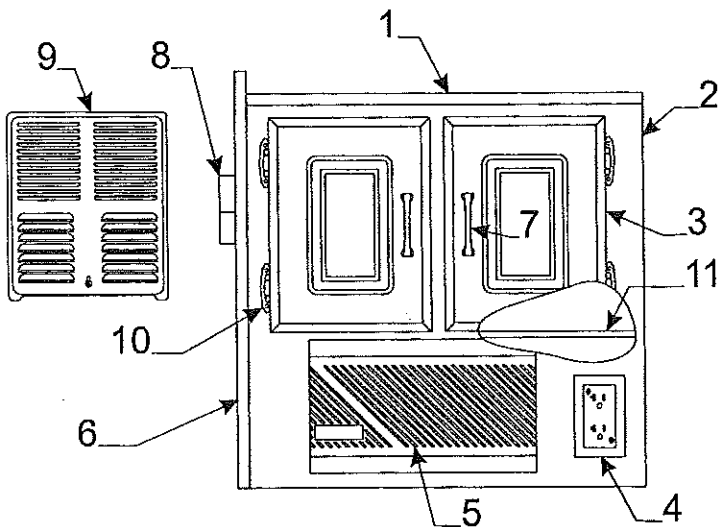
Doorway Hutch Assembly, 3651,3691,3694			
Flat Rate	Code	Part #	Description
.25	1	4756C4311	cabinet top 3651,94
.25		4755B3851	cabinet top 3691
.30		4060462506P	t-molding pkg. (9' pc.)
.35	2	4716D0151	3/8" f-channel 24" pc.
.10	3	4745C26188	hinge (spring loaded)
.10	4	4755A2681	door pull (includes screws)
.30	5	4752G4691	cabinet side 3651, 91, 94
.15	6	4756A8941	door assy. 18 1/2" x 14" (all)
	7		Note: refer to page 21 for fire extinguisher
.15	8	4733-6391	latch & strike pkg.
.30	9	4755C4571	cabinet front 3651,94
.30		4752F4951	cabinet font 3691



Hutch/Seat Assembly 3691,3694,3678				Note: refer to page 26 for drawer components			
Flat Rate	Code	Part #	Description	Flat Rate	Code	Part #	Description
	1		see page 36, 37 for this item		9	4757D2211	hutch front 3694
	2		see page 36, 37 for this item	1.25		4757D0201	hutch front 3678
	3		see page 36, 37 for this item	1.00	10	4742C9811	converter 20 amp
.25	4	4758A6151	cushion leg x2	.25	11	4755F5561	platform w/legs 3694
.05		4752-0551	plastic cap m2	.10	12	4757-8911	drawer roller M2
.10	5	4745C26188	hinge (spring loaded)	.40	13	4757-84061	bench top 3/8" wood 3678
.10	6	4755A2681	door pull (includes screws)	.15	14	4757A9081	brass thumb turn lock
.15	7	4757-4621	dr. pnl 13 3/8" x 12 1/4" 3694	.40	15	4757-8661	rt. bench top w/slot 3694
.15		4756A8971	door pnl 18" x 12 1/4" 3678	.20		4757-8651	lt. bench top w/slot 3694
.15	8	4757A8501	drawer frt. 3694		16	4753A8551	2" velcro x2
.15		4759A6321	drawer assy. 3694				
.15		4757A8501	drawer frt. 3678				
.15		4753J5451	drawer assy. 3678				

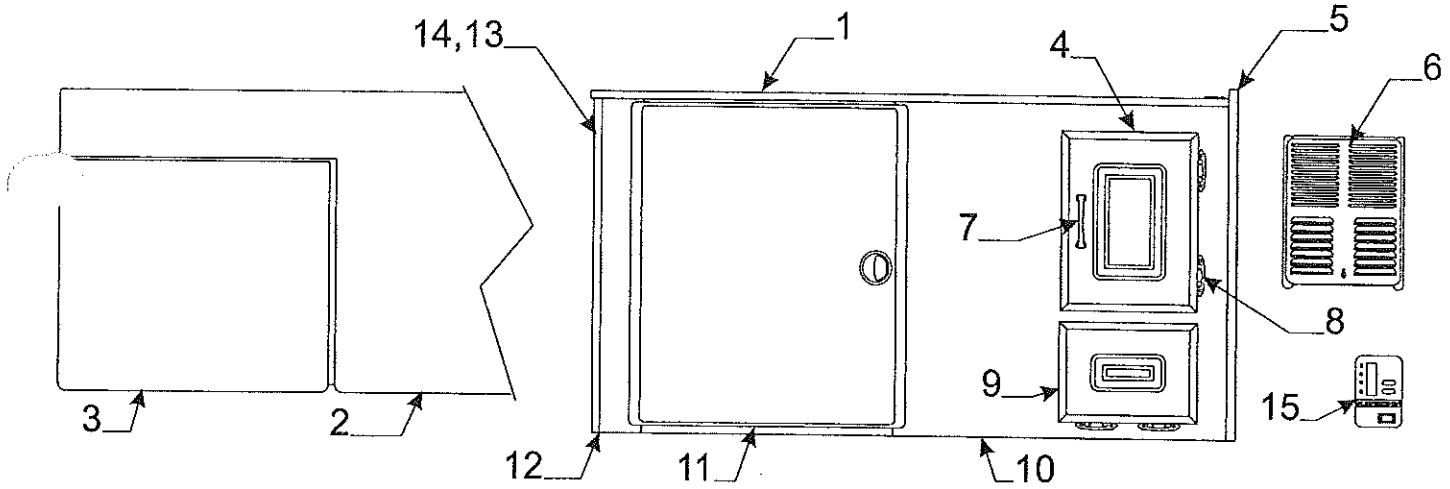


Shower Stall Components 3695,3694							
Flat Rate	Code	Part #	Description	Flat Rate	Code	Part #	Description
.40	1	4757B6841	shower cover board 3695	.15	10	4757-6701	hold-up strap 3695
.40		4757B6711	shower cover board 3694	.15		4757A6701	hold-up trap 3694
.30		4060450003P	1/2" t-molding pkg. (12' pc.)	.25	11	4757A2171	shower hose cover
1.50	2	4757B6721	shower pan & cabinet 3694	.15	12	4756-9121	TP holder
1.50		4754D6541	shower pan & cabinet 3695			4747-2531	1/4" nylon clamp m2
.15	3	4746A3761	shower head w/bracket		13	Note: refer to page 21 for fire extinguisher	
.20	4	4741B2051	shower hose (72" length)	.30	14	4756A4921	seat end 3695
.50	5	4741B2071	shower diverter	.30		4060400091P	5/8" t-molding pkg. (12' pc.)
.10		4716-0848	shower hose connector	.15	15	4756B4901	seat front 3695
.75	6	4756-2251	cassette potty 3695		16	4757-8561	drain adapter
.75		4746C2461	cassette potty 3694	.10	17	4714A2861	cap & strap
.75	7	4754C3861	shower wall (all)	.15		4749-4131	shower drain gasket
.30		4060400091P	1/2" t-molding pkg. (12' pc.)	1.00	18	4741B9301	vent system
1.50	8	4756E2531	shower threshold 3695	.50	19	4757-0921	nut
.30		4060450003P	t-molding (threshold) (6' pc.)	.20	20	4757-9261	vent cover "plastic"
1.50		4756C4621	shower threshold 3694	.40	21	4752-3621	p-trap w/union joint
.30		4060300083P	t-molding (threshold) (12' pc.)	.50	22	4746A1821	basket & strainer
.25	9	4756-4441	shower board hinge		23	4741D6361	tub package.

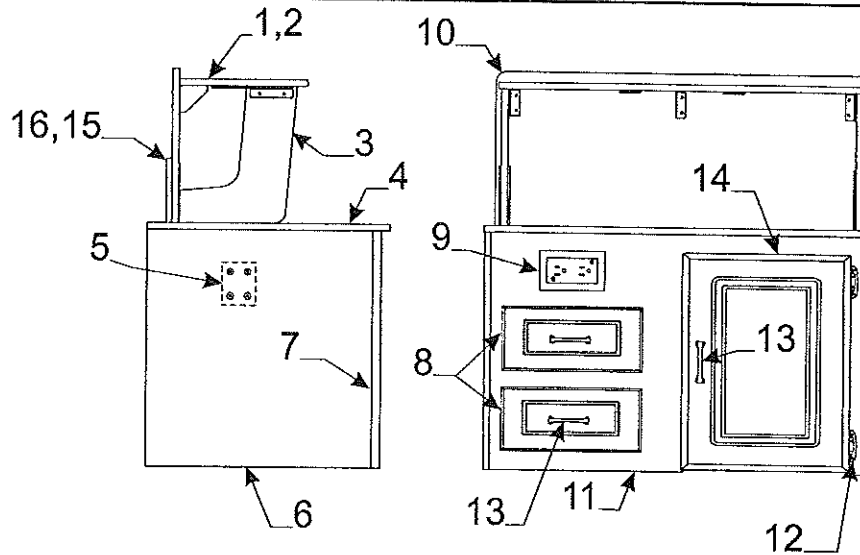


RSF Corner Cabinet Assy. 3678,3681,3695			
Flat Rate	Code	Part #	Description
.25	1	4756G0081	cabinet top 3678,95,81
.30		4060462507P	t-molding (14' pc. Pkg.)
.75	2	4756D0071	cabinet front (all)
.15	3	4756A8961	door panel 12" x 9"
.20	4	4752-2371	20 amp receptacle 3678,81
.20		4755-8321	20 amp GFI recept. 3695
1.00	5	4753B8201	converter (all)
1.00	6	4756B0011	gazoodi (all)
.30		4060400091P	t-molding pkg. (14' pc.)
.10	7	4755A2681	door pull w/screws
*	8	4755B8201	nylon block x2
.10	9	4743-3551	furnace grill
.10	10	4745C26188	hinge (spring loaded)
.20	11	4755B3581	converter cover shelf x2

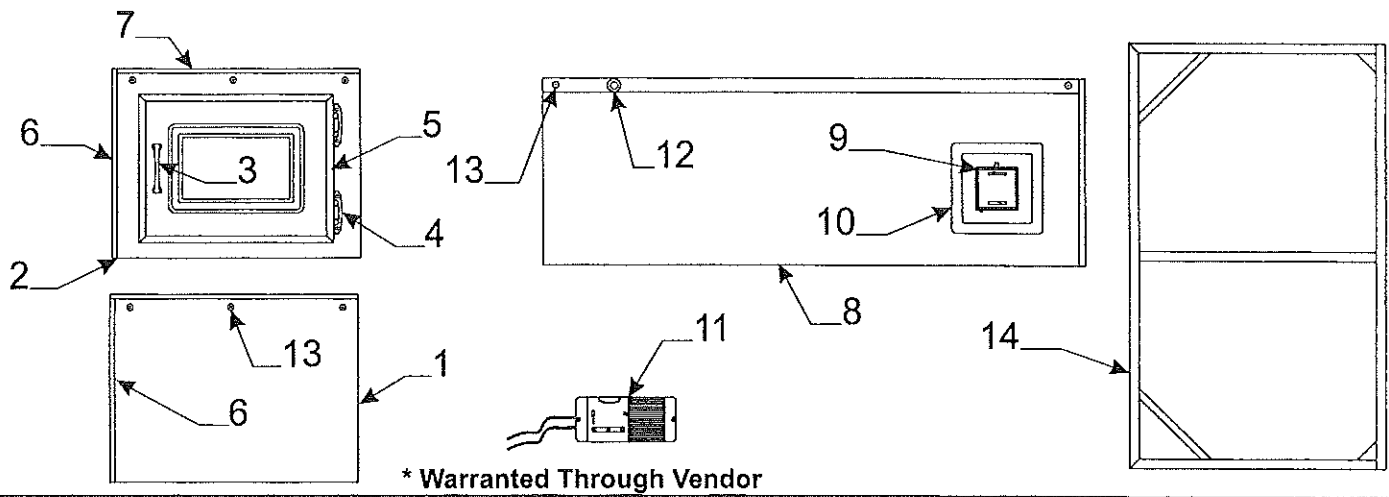
* Prior Authorization from factory needed.



Roadside Hutch Assy. 3651,3678							
Flat Rate	Code	Part #	Description	Flat Rate	Code	Part #	Description
1.50	1	4756C4301	hutch top 3651	.10	7	4755A2681	door pull w/screws
.30		4060462506P	t-molding pkg. (9' pc.)	.10	8	4745C26188	hinge (spring loaded)
1.50	2	4756D3831	hutch top (affixed) 3678	.15	9	4755B1971	dr. pnl. 9 1/8" x 6 3/4" 3651
.30		4060475001P	t-molding pkg. (14' pc.)	1.50	10	*4756B4521	hutch front rt. 3651
.50	3	4757C0181	hutch top (lift-up) 3678	1.50		4756D3821	hutch front lt. 3678
.30		4060475001P	t-molding pkg. (14' pc.)	.50	11	4754A0481	built-in cooler
.15	4	4756A8961	door pnl. 12" x 9 1/8" 3651	.75	12	4752F4561	hutch front 3651
.75	5	4755C1181	gazoodi 3651	.75		4756D3811	hutch front 3678
		4756B0011	gazoodi 3678	.65	13	4716D0151	f-channel 24" pc.
.30		4060400091P	lipped t-molding pkg. (12' pc.)	1.25	14	4752F4571	hutch side lt. 3651
.10	6	4743-3551	furnace grill	.25	15	4756-9041	water level monitor 3678



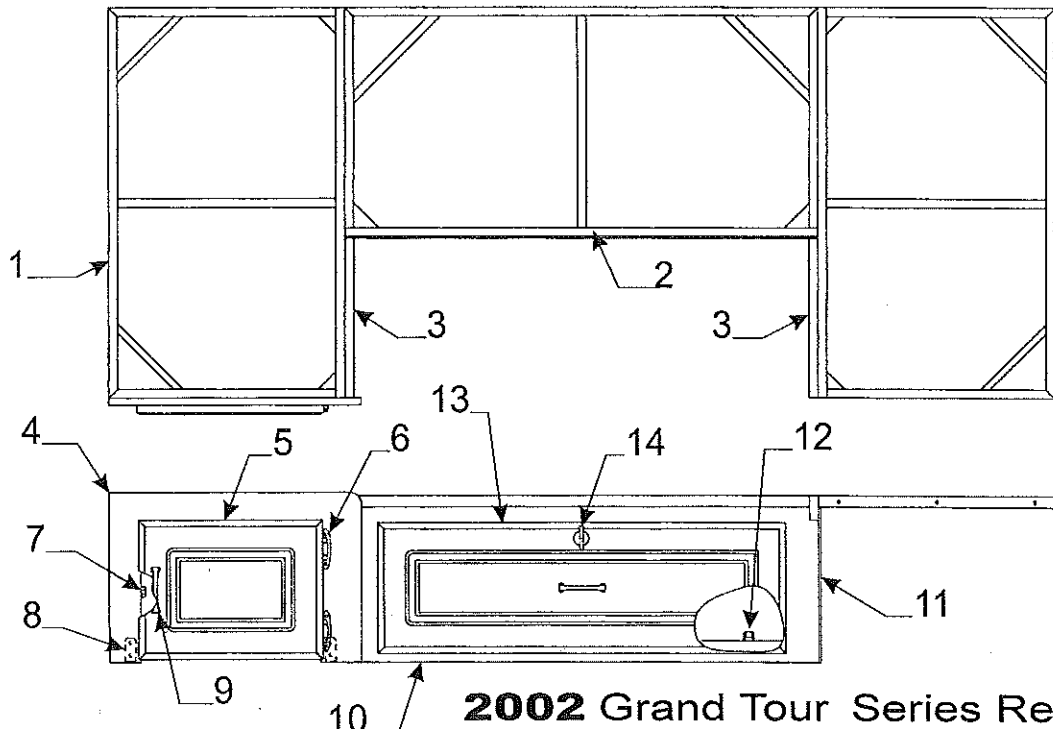
CSR Cabinet W/Flip-up Shelf 3695							
Flat Rate	Code	Part #	Description	Flat Rate	Code	Part #	Description
.25	1	4756C5951	flip-up shelf assy.	.15	8	4757-4641	drawer frt. 15" x 7 3/4"
.20	2	4756C0291	flip-up shelf top	.15		4756C5111	drawer assy. x2
.30		4060462507P	t-molding pkg. (14' pc.)	.20	9	4752-2361	15 amp receptacle
.15	3	4756A0311	flip-up shelf support x2	.25	10	4756A0301	flip-up shelf back
.50	4	4756C0031	cabinet top	.75	11	4756C0041	cabinet front
.30		4060475001P	t-molding pkg. (14' pc.)	.10	12	4745C26188	hinge (spring loaded)
.35	5	4756-5961	pivot bracket	.10	13	4755A2681	door pull w/screws
.15	6	4756A0061	cabinet side	.15	14	4756A8941	dr pnl. 14"x18 1/2"
.65	7	4716D0151	f-channel 24" pc.	.30	15	4756A6451	left pivot arm
				.30	16	4756A6441	right pivot arm



* Warranted Through Vendor

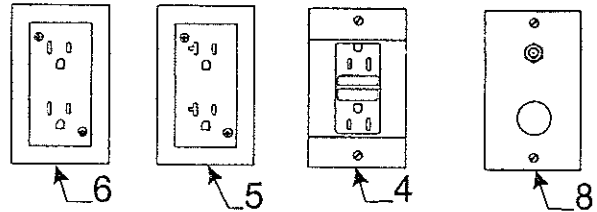
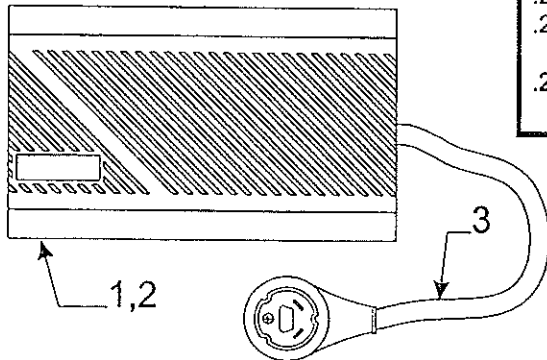
Dinette Area Seat Bench Component Parts							
Flat Rate	Code	Part #	Description	Flat Rate	Code	Part #	Description
.30	1	4755B8161	seat end (both benches) 3689,96	.20	10	4747-8391	plastic base & bracket
.30	2	4755C1061	seat end (both benches) 3651,91,94	.25	11	4753-9171	lp gas detector
.30		4754D0371	seat end (g/out benches) 3681,78,95	12	4724-2608		stop button
.10	3	4755A2681	door pull w/screws		1203-8651		rivet m25
.10	4	4745C26188	hinge (spring loaded)	13	4734E1861		rivet m25
.15	5	4756A8921	door panel (glide-out benches)		1202B0268		washer
.65	6	4716B1421	5/32" f-channel 24" pc.	14	4759-6021		bench frame x2
.50	7	4060015603P	5/32" u-channel 48" pc.		4759-5961		(all except 3694)
.50	8	4716B2721	bench panel 14 1/2" x 48"				bench frame x2 3694 only
*	9	4752-8461	thermostat				

Wrap around bench seat components 3651,88							
Flat Rate	Code	Part #	Description	Flat Rate	Code	Part #	Description
1.25	1	4759-5911	side bench frame 3651	.15	7	4733-6391	latch & strike pkg.
1.25		4759-6071	side bench frame 3688	.10	8	4734A3851	l-bracket
1.25	2	4759-5921	center bench frame	.10	9	4755A2681	door pull w/screws
.15	3	4754B3361	cushion rest "wood"	1.25	10	4756C9021	bench front 3651, 88
.30	4	4754B3451	seat end 3651,88	.50	11	4716B2721	side bench front "wood"
.30		4060400091P	lipped t-molding 12' pc. Pkg.	.10	12	4757-8911	drawer roller guide
.15	5	4756A8921	door panel 12 1/4" x 16"	.15	13	4759A6321	drawer assy.
.10	6	4745C26188	hinge (spring loaded)	.15		4757A8501	drawer panel 9 1/4" x 30 1/4"
				.15	14	4757A9081	brass thumb turn lock



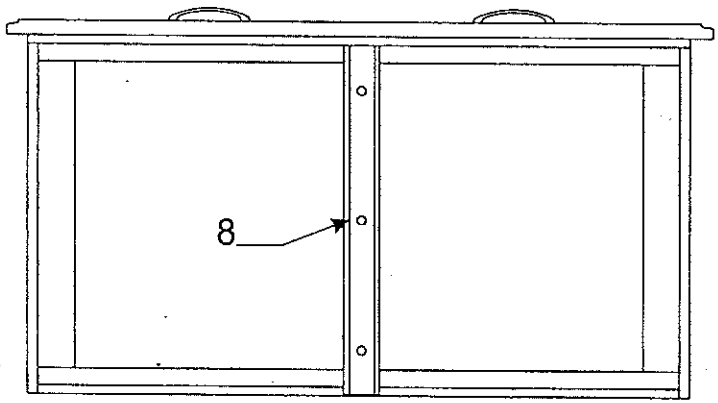
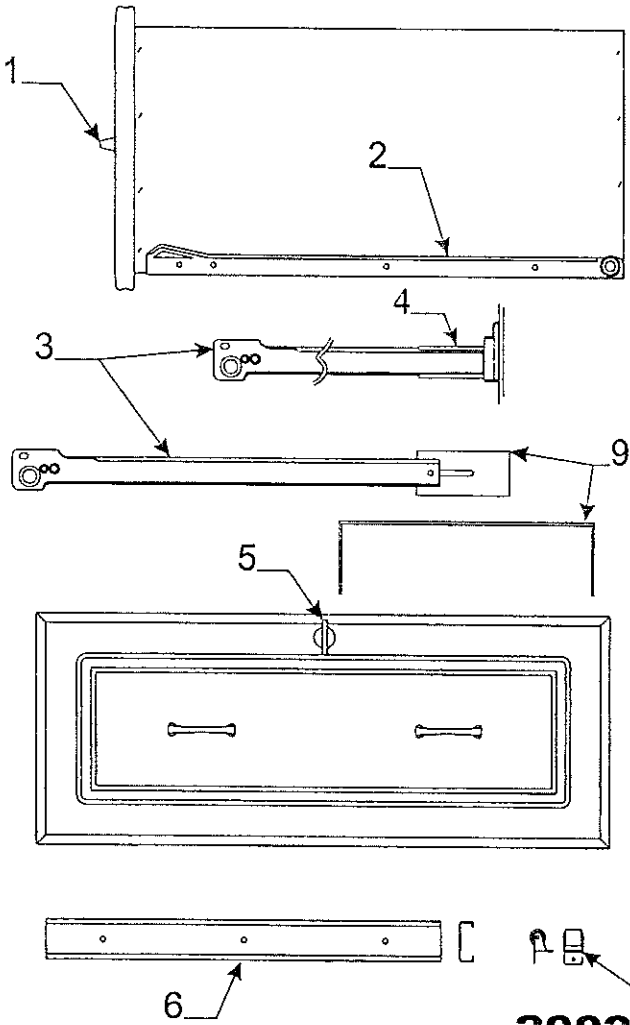
Elixir/Centurion Converter
 Tech Support Phone # 1-800-848-0558

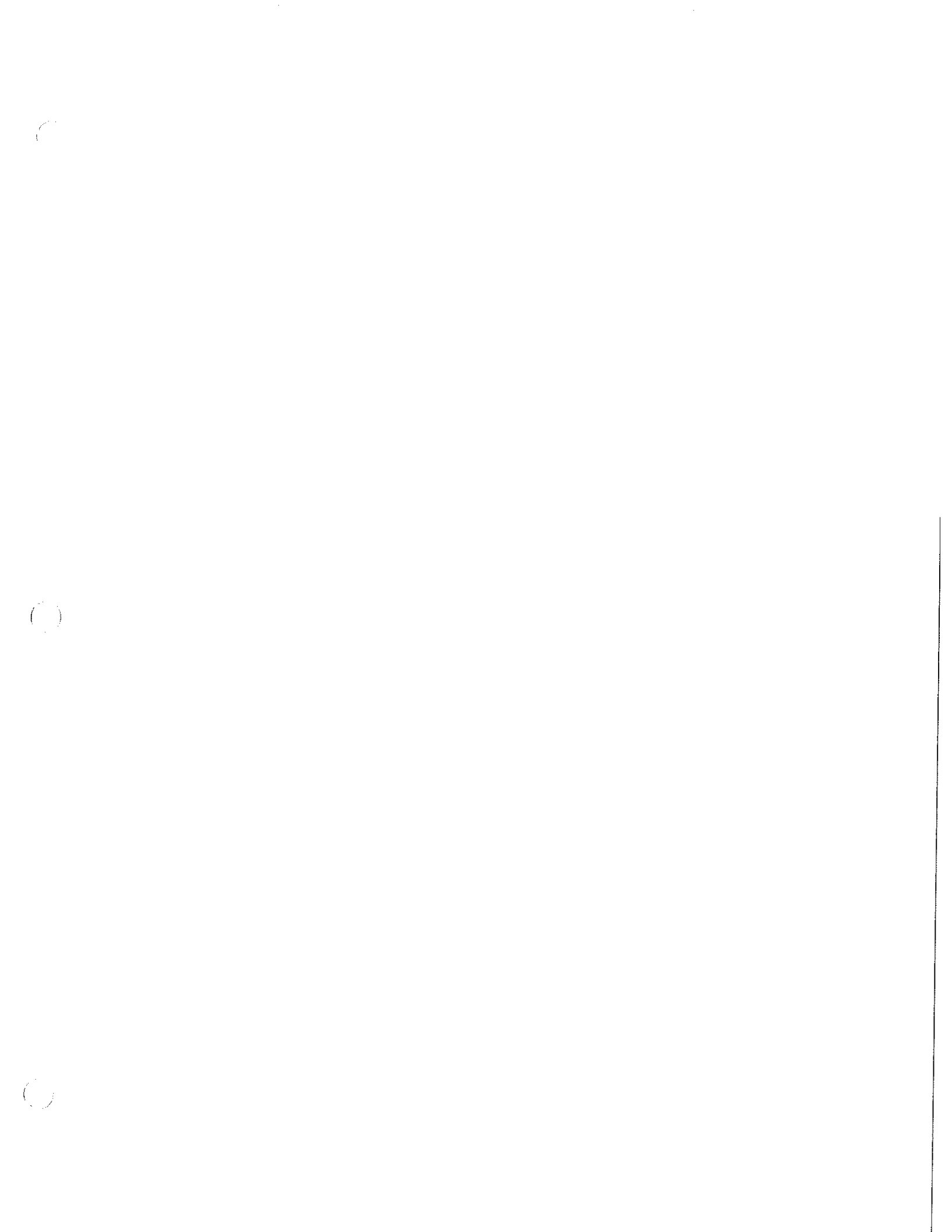
Flat Rate	Code	Part #	Description
1.00	1	4742C9811	converter 12 amp (Elixir cs 1200)
1.00		4753B8201	converter 20 amp (Elixir cs 2000)
1.00		4757-3401	15/20 amp combo breaker
.15	2	4716A1301	converter face cover (plastic)
.60	3	4744-3101	power cord 30 ft.
.35	4	4746B3841	15 amp GFI receptacle w/cover (wht.)
.35		4755-8321	20 amp GFI receptacle w/cover (wht.)
.20	5	4752-2371	20 amp receptacle w/cover (wht.)
.20	6	4752-2361	15 amp receptacle w/cover (wht.)
	7	4746A3851	receptacle box
.20	8	4757A4881	cable hook-up/12 volt outlet
		4757-8421	face plate cover

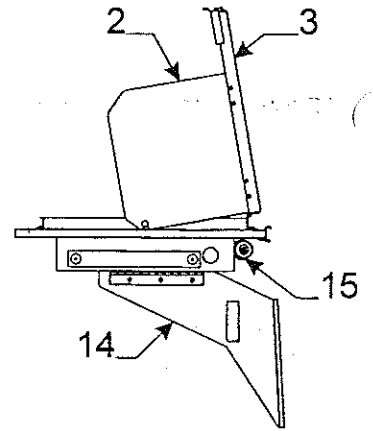
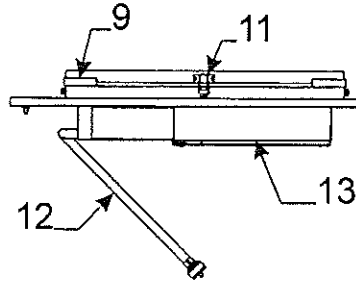
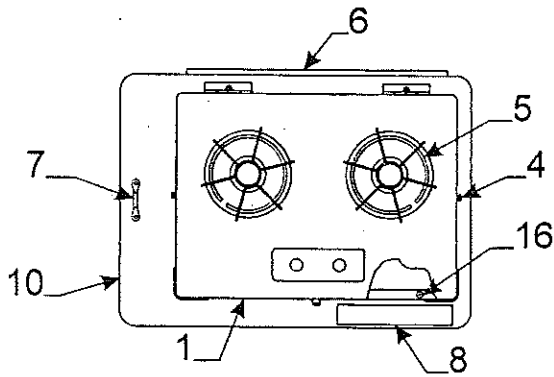


* Note: drawer guide pkg. Consist of (2) guides/slides and sockets

Flat Rate	Code	Part #	Description
.10	1	4755A2681	door pull w/screws
.50	2*	4716-8881	10" drawer guide pkg.
.50		4716-8831	14" drawer guide pkg.
.50		4716-8841	16" drawer guide pkg.
.50		4716-8861	20" drawer guide pkg.
.50	3	4716-8911	22" drawer guide/socket set (Must cut to length)
.25	4	4755-8801	plastic socket "left"
.25		4755-8811	plastic socket "right"
.15	5	4757A9081	brass thumb turn lock
.15		4757-9081	brass cam lock
		4730B3211	key m10 #8025
.15	6	4757-9091	14" metal drawer guide
.15		4757-8891	17" metal drawer guide
.10	7	4757-8911	drawer roller m2
.25	8	4757-9101	14" pvc i-beam drawer guide
		4757-8901	17" pvc i-beam drawer guide
.50	9	4758-1011	14 1/2" drawer guide brkt.
		4758-1001	12 1/4" drawer guide brkt.
		4766-1281	8 1/8" drawer guide brkt.
		4766-1291	11" drawer guide brkt.
		4766-1301	19 7/8" drawer guide brkt.
		4766-1311	14" drawer guide brkt.

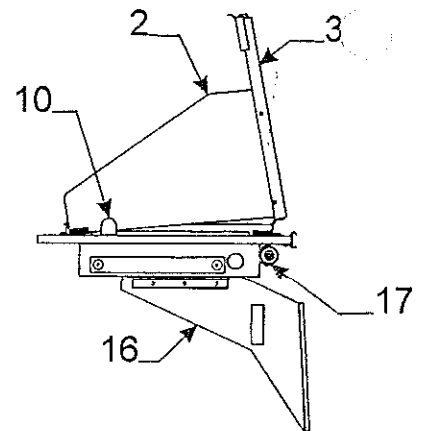
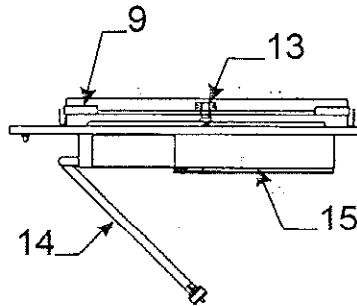
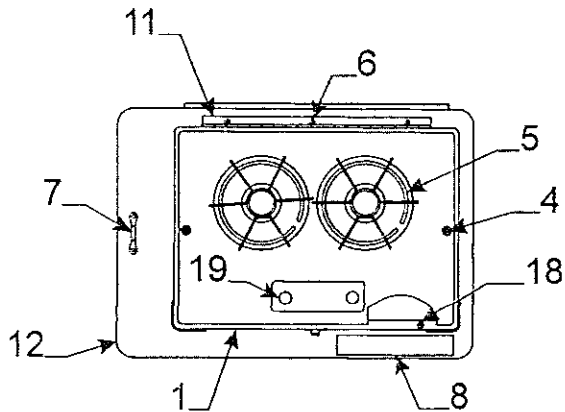






Black Vinyl Stove Pouch (4752-6601)

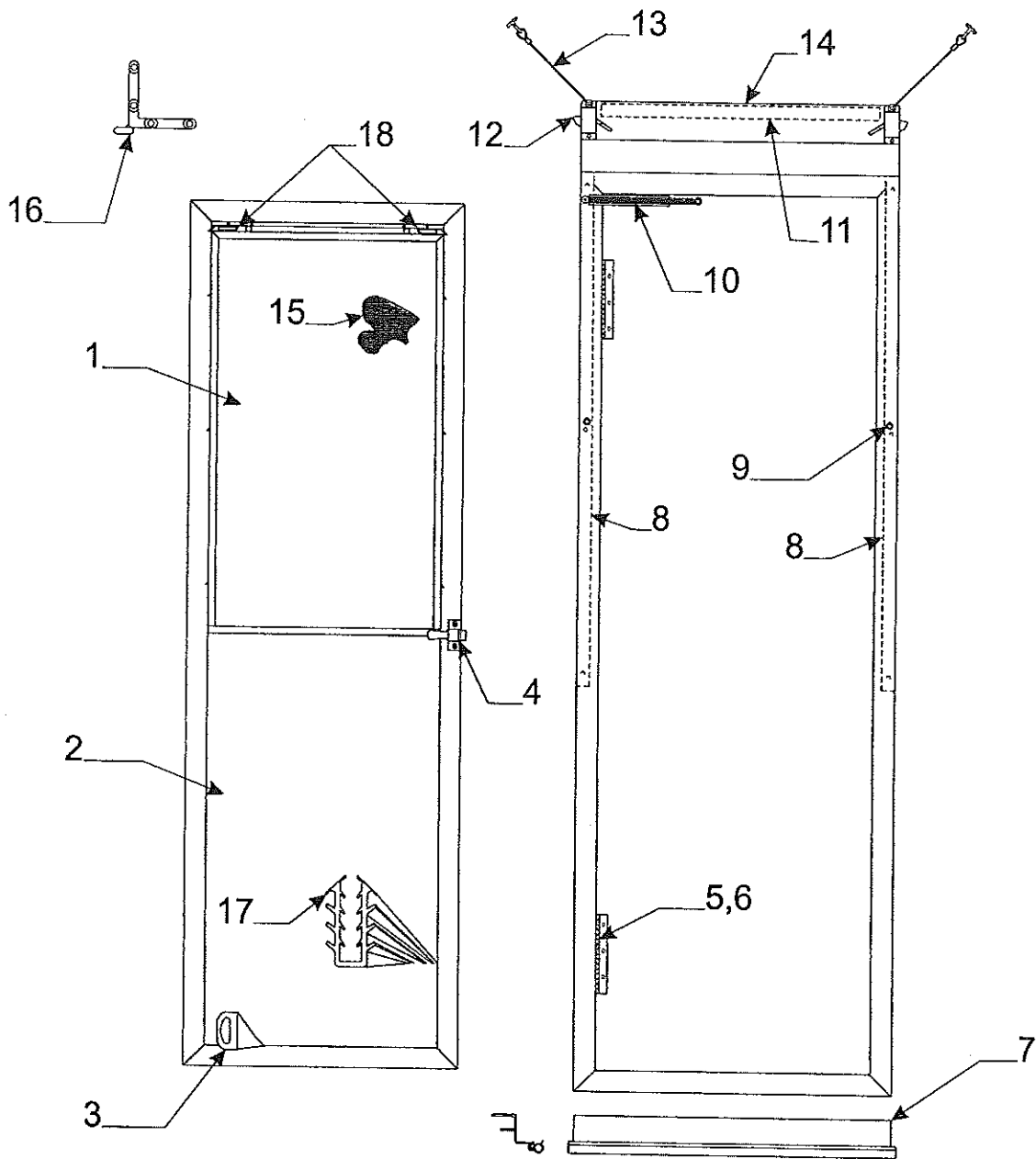
Flat Rate	Code	Part #	Description	Flat Rate	Code	Part #	Description
.15	1	4746A9491	porcelain cook top "black"	.60	10	4746F9391	counter top (wood)
.25	2	4749D99381	stove fin x2	.30		4060475009P	t-molding 8' pc. Pkg.
.15	3	4749E6601	stove cover "black"	.60		*4746H9391	counter top (steel)
.05	4	4716A0881	thumb screw m6			*4758-1961	rubber screw bumper/nuts m2
.05	5	4752A9881	grate x2			*4720E4021	lashing hook m6
.35	6	4754-0471	stove hanger brkt. (used on wood counter top)	.15	11	4733-4018	latch
.35		*4754B0471	stove hanger brkt. (used on steel counter top)	.15		4733-4028	latch strike
.20	7	4733B4511	steel loop m2	.25	12	4746A9891	gas hose
	8	4742-9538	h.p. decal	.75	13	4746B9481	stove box
	9	4732A2291	edge molding m2	.25	14	4746-9221	outside stove flap
				.15	15	4734-2431	gripper clip m4
					16	4716-4591	screw & weld pin m4



Black Vinyl Stove Pouch (4752-6601)

Flat Rate	Code	Part #	Description	Flat Rate	Code	Part #	Description
.15	1	4746B9491	porcelain cook top "white"	.10	11	4716-2671	stove cover hinge
.25	2	4716-2661	stove fin "right"	.60	12	4746G9391	counter top (wood)
.25		4716-2651	stove fin "left"	.30		4060475009P	t-molding 8' pc. Pkg.
.15	3	4749F6601	stove cover "white"	.60		*4758-1971	counter top (steel)
.05	4	4716-26311	stove top screw/washer m2			*4758-1961	rubber screw bumper/nuts m2
.05	5	4752A9881	grate x2			*4720E4021	lashing hook m6
.35	6	4754-0471	stove hanger brkt. (used on wood counter top)	.15	13	4733-4018	latch
.35		*4754B0471	stove hanger brkt. (used on steel counter top)	.15		4733-4028	latch strike
.20	7	4733B4511	steel loop m2	.25	14	4746A9891	gas hose
	8	4742-9538	h.p. decal	.75	15	4746C9481	stove box
	9	4732A2291	edge molding m2	.25	16	4746-9221	outside stove flap
.15	10	4716-2641	fin stay brkt. m2	.15	17	4734-2431	gripper clip m4
					18	4716-4591	screw & weld pin m4
					19	4716-2681	h.p. stove knob

* Revised - 2/1/02

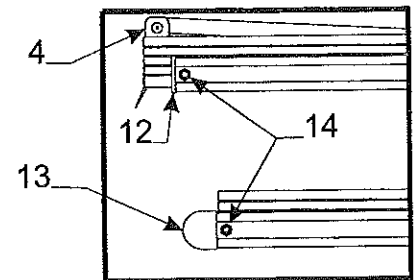
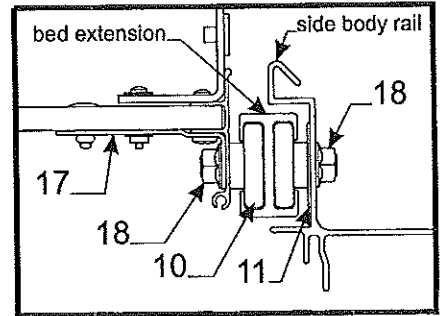
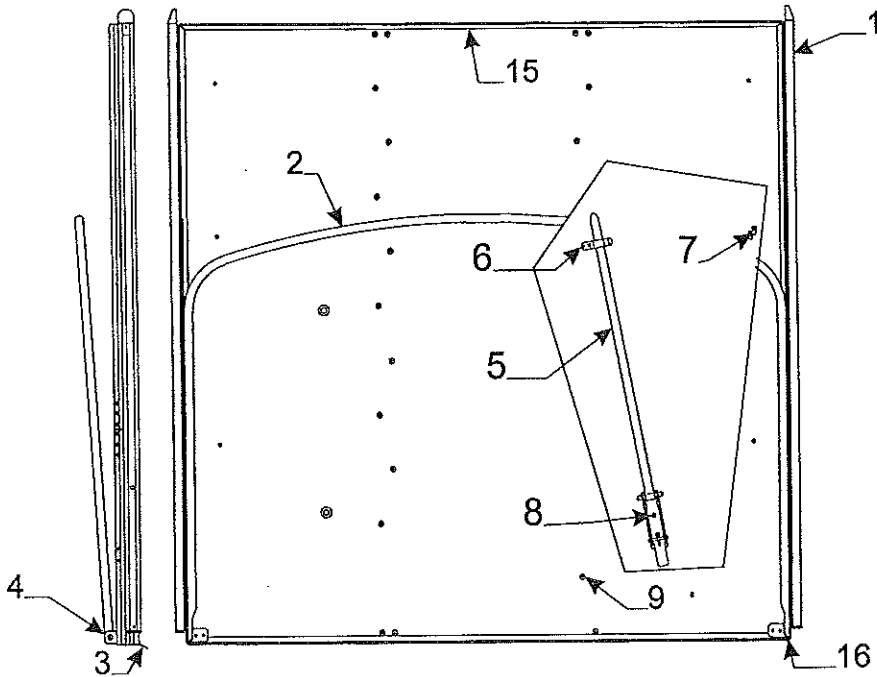


.30 flat rate screen door complete

4747M53781 Screen Door Assy. (All)

Note: parts marked w/ asterisk are excluded from screen door

Flat Rate	Code	Part #	Description	Flat Rate	Code	Part #	Description
.10	1	4716D3401	top sliding window pane	.25	12	4741-8658	sash lock x2
.40	2	4754B1541	stationary window pane			4747A9231	rivet m25
.15	3	4750-3591	rubber seal (18" lengths)			1202B2698	washer
.15	4	*4742-9671	door latch assembly			4733-3398	plastic spacer
.15	5	4720C3601	hinge x2	.15	13	4734E5211	cable assembly m2 (all)
	6	1203-8641	rivet m25	.50	14	4753-4501	top bracket
.25	7	*4747B2011	screen door support			1203-8641	rivet m25
		*4060000399F	rubber seal (sold/foot)	.10	15	4716-1381	screened stationary pane
.20	8	4754-3811	vel-stick & hardware x2	.75		4716-1111	screening 36" x 18 1/2"
.05	9	4730A3548	stud w/screw x2	.50	16	4710A3791	corner brace hinge m2
.20	10	4731A8201	spring pkg.		17	4060000086F	rubber seal (sold/foot)
.50	11	4060000400F	d-seal (sold/foot)				Note: around perimeter of window pane
				.20	18	4716-3811	window lock pkg. rt./lt.
							Note: pkg. includes rt./lt lock, springs & rivets



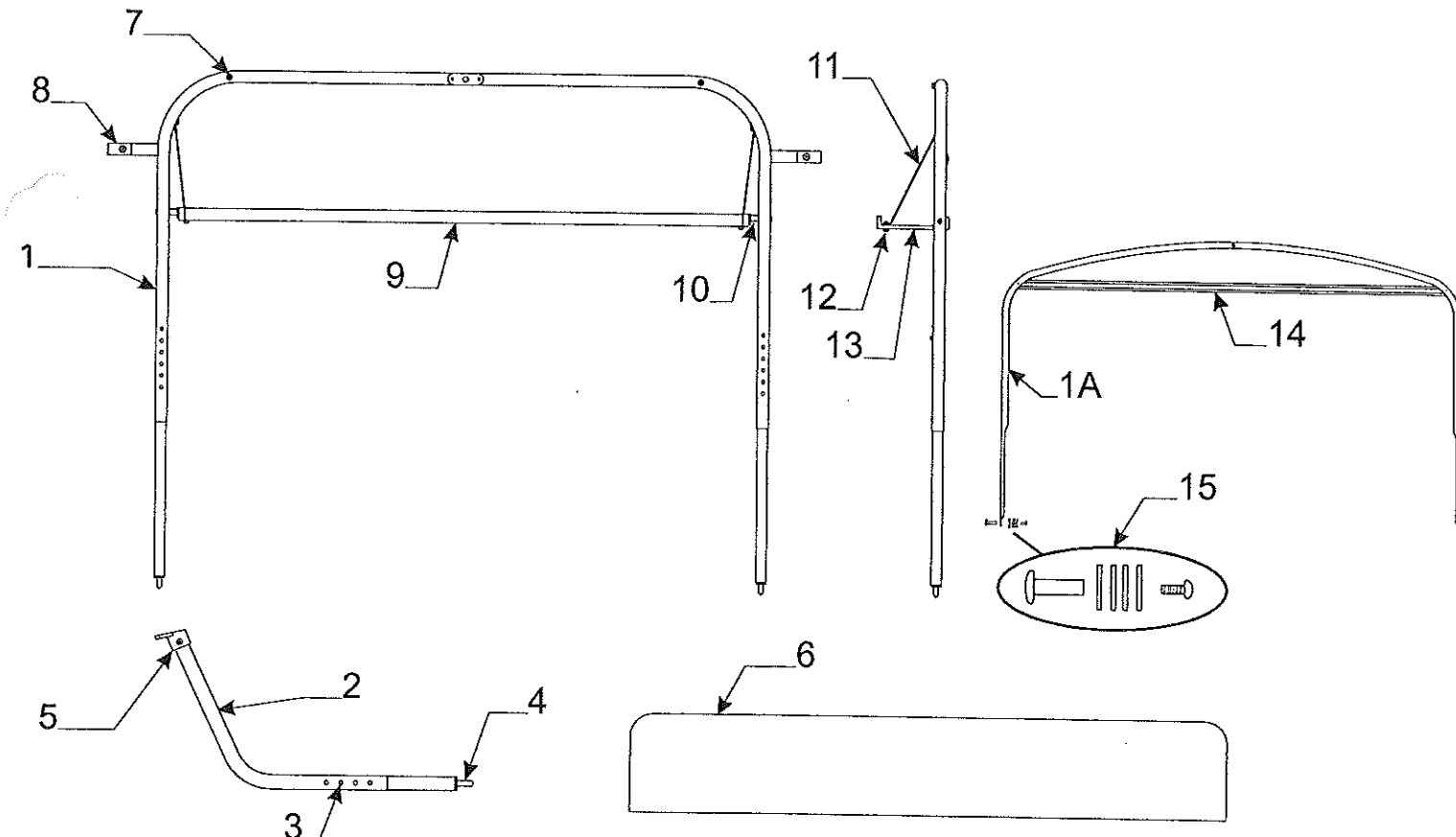
- 3688,3689 - 4759B5841 Front Bed Assy. "Complete"(king) F. R. - .75
- 3688,81,96 - 4759A5861 Rear Bed Assy. "Complete" (regular) F. R. - .75
- 3696 - 4759A5851 Front Bed Assy. "Complete"(king) F. R. - .75
- 3651,81,91,94,78,95 - 4759A5831 Front Bed Assy. "Complete"(king) F.R. -.75
- 3651,81,91,94,78,95 - 4759A5821 Rear Bed Assy. "Complete" (king) F.R.-.75

Flat Rate	Front/Rear Bed Assy. Code	Components Part #	Description
*	1	4716U4031	bed extension (x2 per bed) Note: must cut to size if needed for rear bed assy.
.25	2	4714C1901	tent bow/leg package
.25	3	4060300339P	vinyl bed seal (8' pc. pkg.)
.15	4	4720K5631	bed bow bracket m2
		4757-9241	1 1/2" plastic fender washer m2
.30	5	4759A5881	bed leg assy. (x2 rear "regular" beds)
.30		4759A5871	bed leg assy. (x2 rear "king" beds)
.30		4759A5891	bed leg assy. (x2 front "3688,89")
.30		4759A5901	bed leg assy. (x2 front "king" beds)
		Note: Individual bed leg pieces NOT AVAILABLE	
.15	6	4757-4331	bed leg clip
		1203-8831	rivet m25 (rivet clip to bed)
.15	7	4720D4021	lashing hook m6
		1203-8741	rivet m25 (rivet hook to bed)
.20	8	4714-4521	mounting screws (pkg. of 3 each)
		Pkg. includes screws, washers, plastic caps and washers	
		9	1203C8721 rivet m25
.50	10	4754-8101	bed roller, nut, bolt, & washer pkg.
		11	1202B2908 washer
.15	12	4754-8631	bed slide end cap
.15	13	4754-4821	bed slide wedge
.20	14	1034B16128	flat head screw
		1201B6378	lock nut
1.50	15	4744D9991	inside bed frame (king bed)
1.50		4720G1181	inside bed frame (regular bed)
1.50	16	4744D9991	outside bed frame (king bed)
1.50		4720G1181	outside bed frame (regular bed)
.20	17	4755A2591	bed brkt. w/mounting hardware x4
		18	4739-2298 lock nut

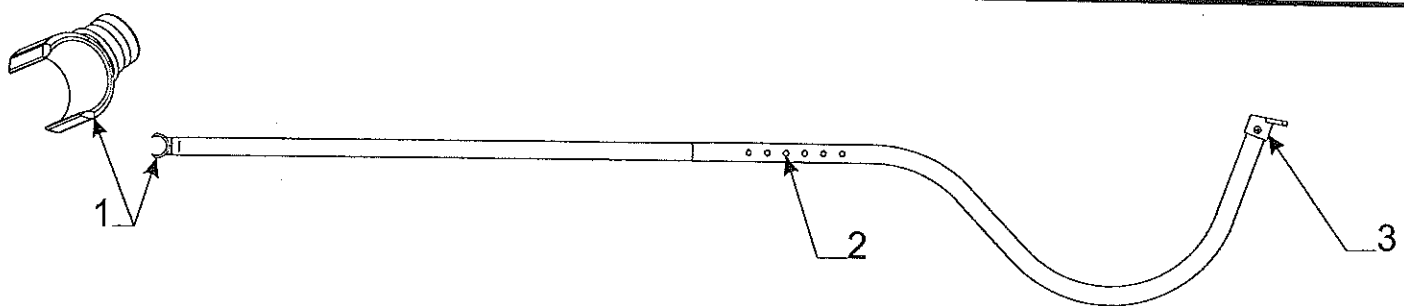
* .50 First Bed Extension
* .25 Second Bed Extension

Flat Rate
Mattress Assy. .10/Cover .50

Mattress Assemblies & Covers			
Model	Frnt. Matt. assy.	Frnt. Matt. Cover	
All models	4754F5341	4716F5341	
Model	Rear Matt.	Rear Matt. Cover	
3688,89,96	4754F5331	4716F5331	
3651,81,91,94,78,95	4754F5341	4716F5341	
Mattress Size			
King - 77" x 70" x 3 1/2"			
Double - 77" x 48" x 3 1/2"			

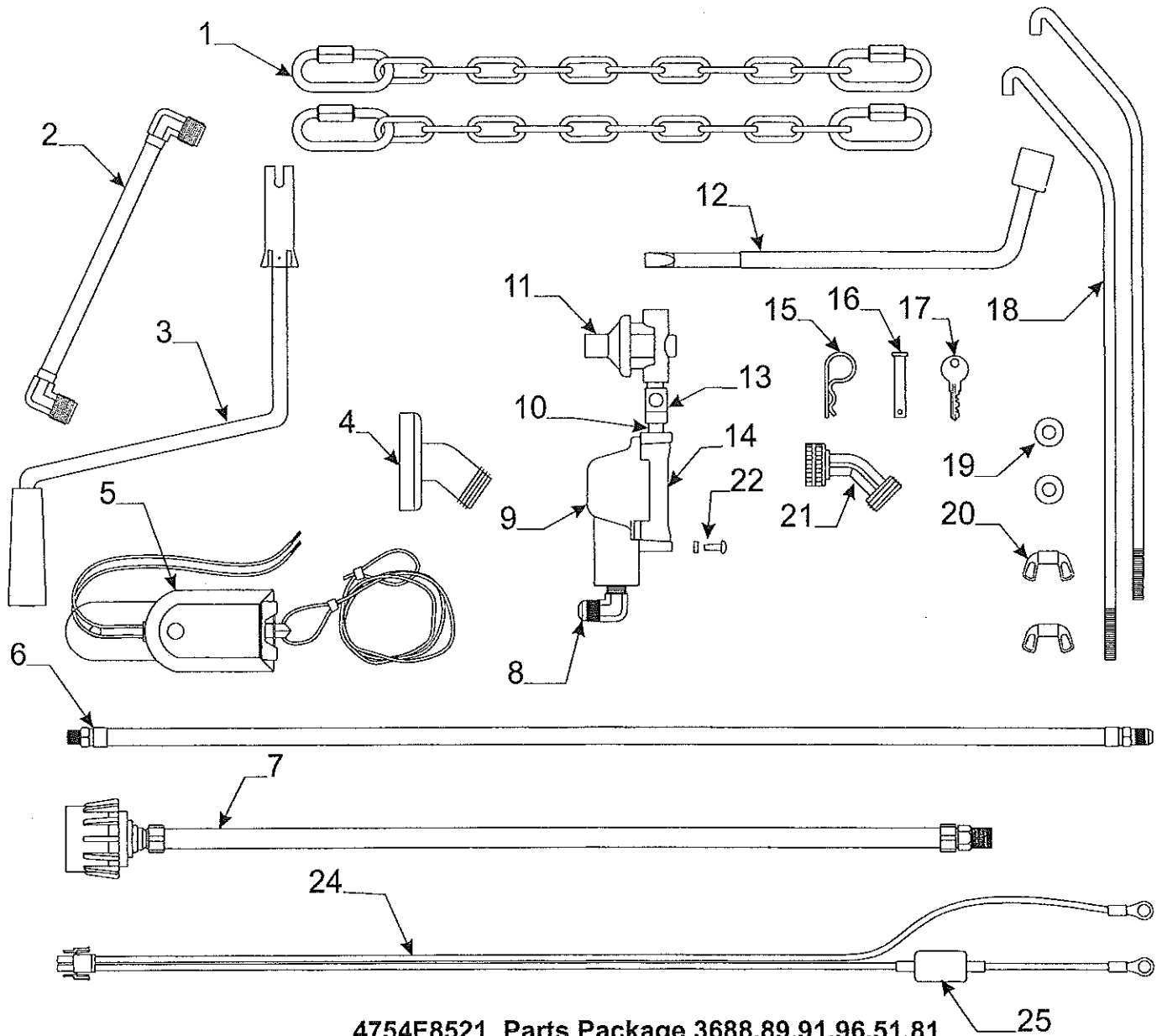


Tip-out/Glide-out Tent Bow 3651,78,81,91,95							
Flat Rate	Code	Part #	Description	Flat Rate	Code	Part #	Description
.10	1	4755C5611	tip-out tent bow assy. 3651,78,91				
.10	1A	4756A2071	glide-out tent bow 3678,81,95	.10	11	4734G5211	lock nut x2 cable assy. x2
.05	2	4754B6761	tip-out tent support 3651,78,91	12	1226D1381		snap stud x2
.05		4756B6661	glide-out tent support 3678,81,95			4754-0608	screw x2
.10	3	4734-6708	snap spring			1202B2698	washer x2
.20	4	8470-1728	black pin m10			1201C6448	lock nut x2
.10	5	4757-1351	tent support tip w/screw	13	4757-0941		end cap x2
.10	6	4755-0971	tip-out support board	.40	14	4757-8021	curtain track (Glide-outs only)
.05	7	4730A3548	stud w/screw x2			1203-8951	rivet m25
.05	8	4757-4941	strap x2	15	4716-4451		glide-out bow mounting hardware pkg.
.30	9	4759B6121	shelf assy. w/mounting hardware				
.10	10	4751-3431	nylon spacer m4				
		4744E2468	screw x2				



Tent Support Components			
Flat Rate	Code	Part #	Description
.20	1	4757-4301	tent support clasp m10
.10	2	4734-6708	spring assy.
.10	3	4757-1351	tent support tip w/screw

Tent Support Assemblies (Complete)		
Flat Rate .10 per Tent Support		
Model	Front Bed	Rear Bed
3688,89,96	4741K5581	4741H5591
3651,81,91,94,78,95	4741K5581	4741K5581



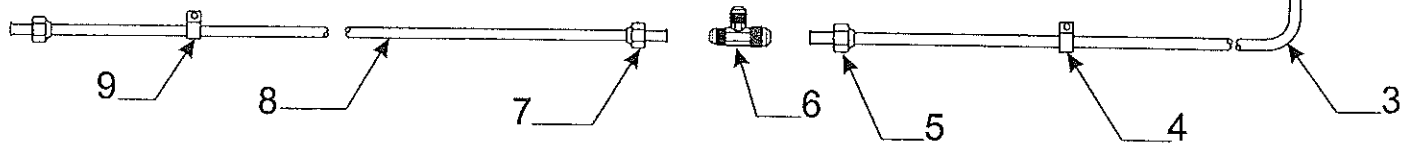
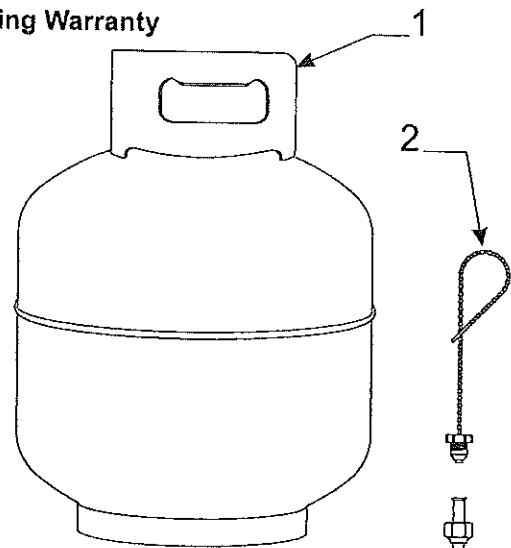
4754F8521 Parts Package 3688,89,91,96,51,81
***4754G4391 Parts Package 3694**
4750H6111 Parts Package 3678,95

*Note: parts package used on 3688,89,91,96,51,81 with standard factory hot water

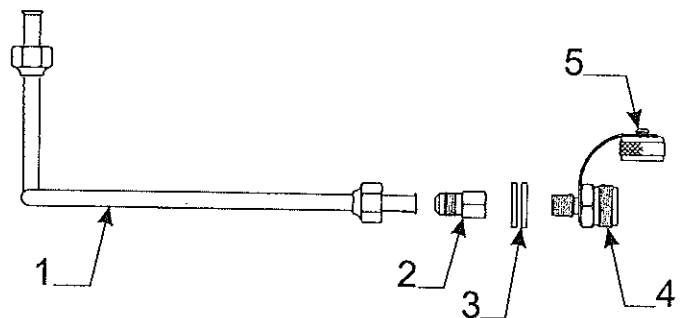
Flat Rate	Parts Package	Component	Parts		Code	Part #	Description
	1	4757-3901	29" tow chain w/quick links m2	13	4739-6998	brass elbow	
		4757-3891	quick link (sold/signally)	.45	14	4742-8051	regulator "low pressure"
	2	4746-5381	winterizing adapter	15	4732A4791	safety pin m10	
	3	4747G4141	crank handle	16	4771-2631	hitch pin m5	
	4	4737-9138	drain adapter	17	4730B3211	key m10 # 8025 (gold plated)	
	5	4746-0401	breakaway switch	18	4733G6281	gas bottle mounting brkt. pkg.	
.45	6	4742-8081	gas hose "high pressure"	Note: pkg. includes (2) wing nuts, washers			
.45	7	4733C3991	gas hose w/acme nut 30"	19	1202B0468	washer x2 m10	
.45		4733D3991	gas hose w/acme nut 21"	20	1201-6258	wing nut x2	
	8	4753-8981	3/8" x 3/8" elbow (non hot water)	21	4744-2651	gooseneck	
		4755-0421	1/2" x 3/8" elbow (hot water)	22	1143B10081	mounting screw m2	
	9	4734C3781	regulator cover (plastic)		0322A3301	brass spacer m2	
	10	4755-0661	1/4" hex nipple	23	4741-3268	valve stem extension x2	
.45	11	4742A8041	high pressure regulator	24	4749B5531	battery harness w/circuit breaker	
	12	4749A1861	lug nut wrench	25	4751-4811	15 amp circuit breaker	

**** Serial Number Of Gas Bottle Must Be Supplied When Submitting Warranty**

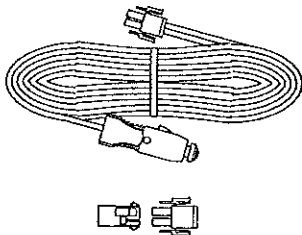
Flat Rate	Code	Part #	Description
.15**	1	4720J5928	gas bottle (arctic white)
		4724J6441	green vinyl bottle cover
	2	4737A838	1/2" plastic cap & strap
.50		4733A3888	3/8" plastic cap & strap
	3		1/2" copper gas line purchase locally
.50	4	1201-8738	1/2" clamp "rubber coated"
	5	1215-2438	1/2" flare nut
.50	6	1215-1781	brass tee - 1/2" x 3/8" x 3/8"
.50		1215-1771	brass tee - 3/8" x 3/8" x 3/8"
.50	7	1215-2418	3/8" flare nut
	8		3/8" copper gas line purchase locally
.50	9	1201-8708	3/8" clamp "rubber coated"



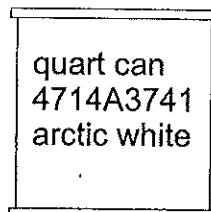
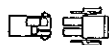
Flat Rate	Code	Part #	Description
.50	1		3/8" copper gas line purchase locally
.40	2	1215-2418	3/8" flare nut
	3	4742-8061	female coupling
.40	4	1202B1068	washer x2
.40	5	4739-6978	cylinder adapter
		4742-8071	brass cap & strap



4733D6701 auto extension



4716A4701 12 volt cap & plug m2



quart can
4714A3741
arctic white

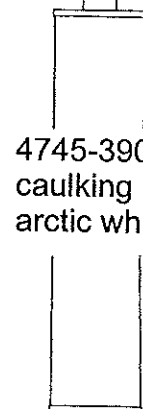


16 oz. spray

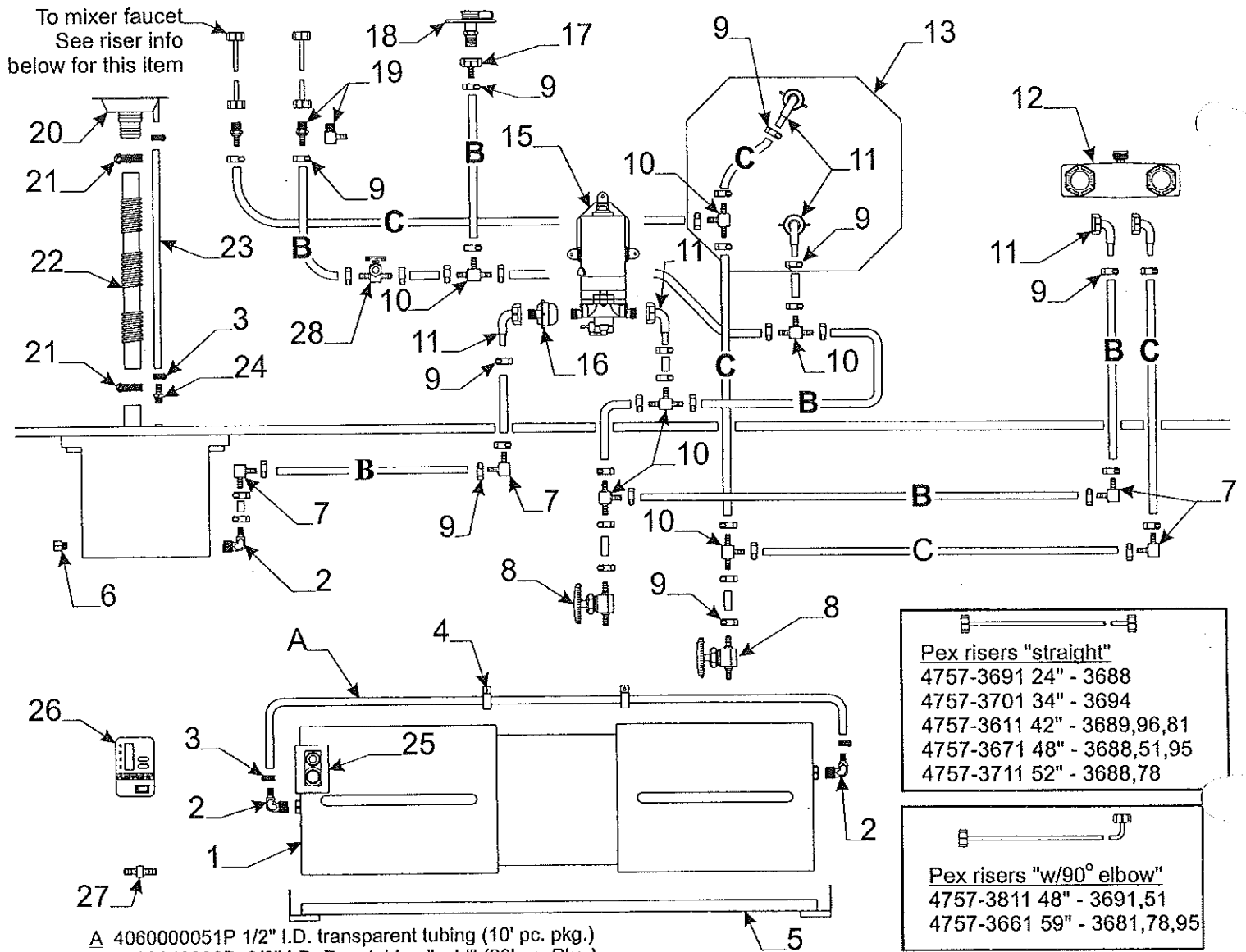
0008-2561 arctic white

0008-2571 black

0008-2631 russian maple



4745-3908
caulking
arctic white



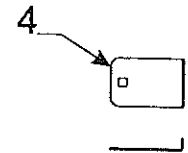
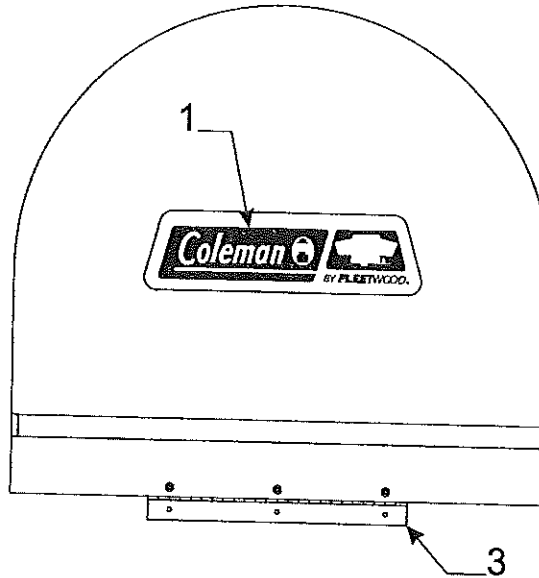
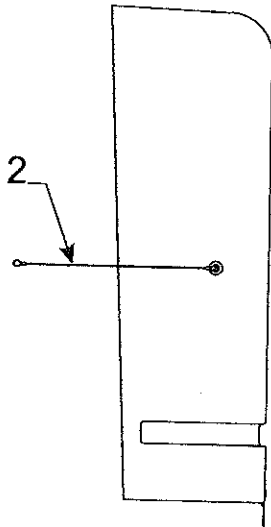
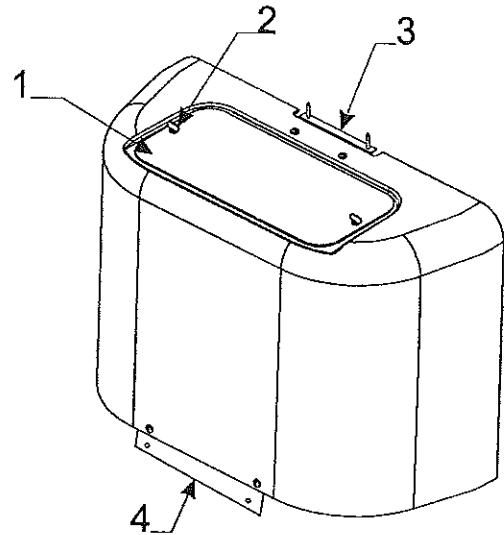
A 4060000051P 1/2" I.D. transparent tubing (10' pc. pkg.)
 B 4060050006P 3/8" I.D. Pex tubing "cold" (20' pc. Pkg.)
 C 4060050007P 3/8" I.D. Pex tubing "hot" (20' pc. Pkg.)

4714-038 3/8" I.D. High pressure hose (sold/foot)

Flat Rate	Code	Part #	Description	Flat Rate	Code	Part #	Description
1.50	1	4757B0521	water tank w/out hot water 3688,3689,3696	.25	10	4741C2381	brass tee "Pex" m10
1.50		4757A0471	water tank w/hot water 3688,89,91,96	.20	11	4741B9061	copper swivel elbow
1.50		4756B8101	water tank 3651	.50	12	4741B2071	shower diverter
1.50		4756A2731	water tank 3681,94	*	13	4750-3421	water heater (all)
1.50		4756A8881	water tank 3678,95	14			
.25	2	4741C2371	elbow "plastic"	.50	15	4741C5571	electric water pump
	3	4731-3058	adjustable hose clamp 3/8"	.25	16	4747A8311	water filter
	4	1201-8658	tube clamp	.20	17	4741A9561	female adapter "copper"
.20	5	4755A6581	tank hanger 3678,81,95,94	.30	18	4732F1521	city fill
.20	**	4758-5391	tank hanger x2 3688,89,96	.20	19	4757-3631	brass adapter 3/8" barb "Pex"
.20		4758-5381	tank hanger x2	.20		4758-1341	1/2" mpt x 3/8 elbow "Pex"
.20		4756A5991	tank hanger x1 3651	.30	20	4731D1711	fill spout
.15	6	1218-7001	plug	.21	21	4715-4501	adjustable hose clamp
.25	7	4741C2391	brass elbow "Pex" m10	.35	22	4731H1081	water fill hose (3' pc.)
.20	8	4741E2361	brass line drain "Pex"	.20	23	4060050003F	1/2" h.p. hose (sold/ft.)
.25	9	4741A2751	stainless steel clamp m100	.15	24	4732B4561	hose adapter
** Note: Units w/factory HOT water will use 4758-5381 hangers				.50	25	4742A8631	tank gasket 3678,81,94,95
				.25	26	4756-9041	water level monitor 3678,95
				.25	27	4755-4821	brass barbed union m10
				.25	28	4758-1411	water filter tee w/shutoff valve

Molded Gas Bottle Cover Assembly (4749L1341)

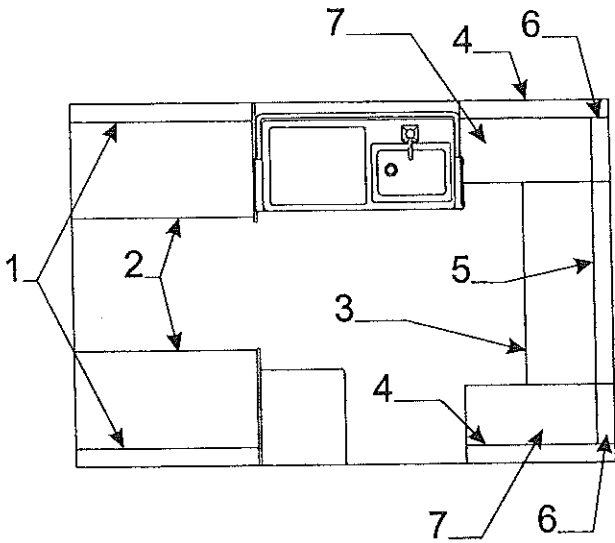
Flat Rate	Gas bottle cover components		
	Code	Part #	Description
.40	1	4757-2741	lp lid w/latches & seal
		4060000011P	lid seal pkg. (4' pc.)
	2	4757-2771	wing screw/washer & clip pkg.
		Note: pkg. consist of (2) pcs. each	
	3	4757A2731	lp cover top keeper
		1121C1618	screw x2
		4732-1181	plastic grommet x2
	4	4757-2721	lp cover bottom keeper
		1121C1618	screw x2
		4732-1181	plastic grommet x2



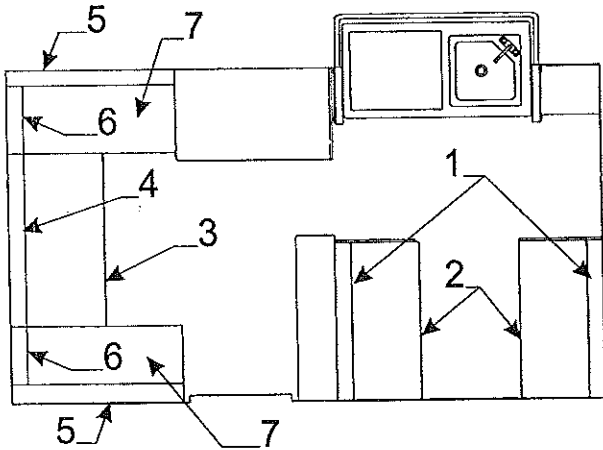
.40 Molded Tire Cover Assembly - 4753A6771 (standard on 3678,3695)
4716-6771 Hardware parts package

*Note: package includes items marked with asterisk **

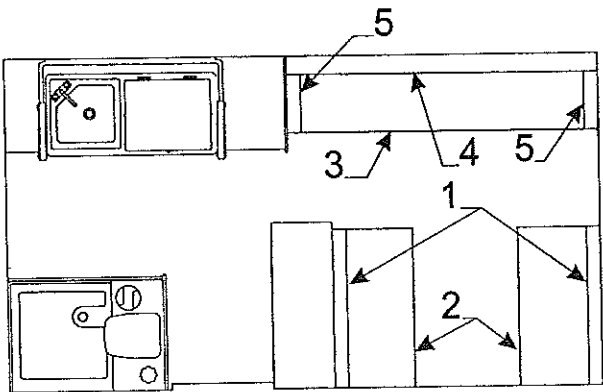
Flat Rate	Tire cover components		
	Code	Part #	Description
.25	1	4752C0788	by fleetwood decal
	2	4753A8041	cable
		1202E0408	washer x1
		4741D96568	expansion rivet m25
	3	4753-8031	hinge
		4733D0601	rivet m25
	4	*4753-3651	keeper bracket
		*4732-1181	grommet x1 m4
		*1121C1618	screw x1
		*4741D96568	expansion rivet x3 m25
		*1202B0268	washer x1



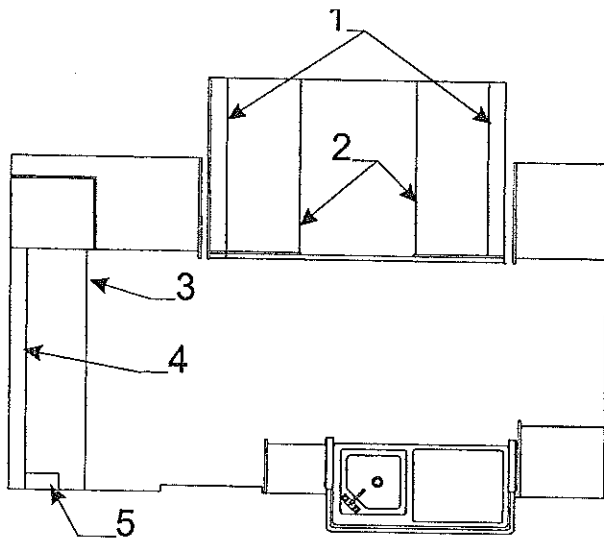
Cushion & Backrest Assy.'s 3688 Sea Pine			
Flat Rate	Code	Part #	Description
.10	1	4754F6361	backrest assy. 40 5/8" x 18" x 4"
.25		4714F6361	backrest cover
.10	2	4754F6381	cushion assy. 40 5/8" x 22" x 4"
.25		4716F6381	cushion cover
.10	3	4754E6391	cushion assy. 40 5/8" x 17" x 4"
.25		4716E6391	cushion cover
.10	4	4754E6341	backrest assy. 33" x 12 3/8" x 4"
.25		4716E6341	backrest cover
.10	5	4754E6351	backrest assy. 40 5/8" x 16 3/8" x 4"
.25		4714E6351	backrest cover
.10	6	4756D0411	backrest assy. 15" x 12 3/8" x 4"
.25		4716D0411	backrest cover
.10	7	4754E6371	cushion assy. 20" x 33" x 4"
.25		4716E6371	cushion cover



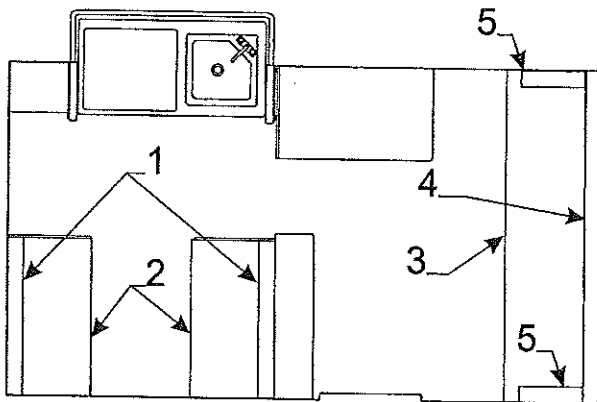
Cushion & Backrest Assy.'s 3651 Mesa			
Flat Rate	Code	Part #	Description
.10	1	4758D5741	backrest assy. 38 1/2" x 15 3/4" x 4"
.25		4716D5741	backrest cover
.10	2	4756F5631	cushion assy. 39 1/2" x 18" x 4"
.25		4714F5631	cushion cover
.10	3	4754E6391	cushion assy. 40 5/8" x 17" x 4"
.25		4716E6391	cushion cover
.10	4	4754E6351	backrest assy. 40 5/8" x 16 3/8" x 4"
.25		4714E6351	backrest cover
.10	5	4754E6341	backrest assy. 33" x 12 3/8" x 4"
.25		4716E6341	backrest cover
.10	6	4756D0411	backrest assy. 15" x 12 3/8" x 4"
.25		4716D0411	backrest cover
.10	7	4754E6371	cushion assy. 20" x 33" x 4"
.25		4716E6371	cushion cover



Cushion & Backrest Assy.'s 3694 Westlake			
Flat Rate	Code	Part #	Description
.10	1	4758D5741	backrest assy. 38 1/2" x 15 3/4" x 4"
.25		4716D5741	backrest cover
.10	2	4756F5631	cushion assy. 39 1/2" x 18" x 4"
.25		4714F5631	cushion cover
.10	3	4758B6191	cushion assy. 66" x 20" x 5"
.25		4714B6191	cushion cover
.10	4	4758B6201	backrest assy. 66" x 13" x 5"
.25		4714B6201	backrest cover
.10	5	4758B6211	arm rest 15" x 5 1/2" x 5 1/2"
.25		4714B6211	arm rest cover



Cushion & Backrest Assy.'s 3678 Bayside			
Flat Rate	Code	Part #	Description
.10	1	4757E5591	backrest assy. 42 1/4" x 15 1/2" x 4"
.25		4716E5591	backrest cover
.10	2	4754G5241	cushion assy. 43 1/4" x 19 3/8" x 4"
.25		4716G5241	cushion cover
.10	3	4757C6591	cushion assy. 57" x 20" x 4"
.25		4714C6591	cushion cover
.10	4	4757C6581	backrest assy. 55 1/2" x 15 1/2" x 3 1/2"
.25		4713C6581	backrest cover
.10	5	4758B6211	arm rest 15" x 5 1/2" x 5 1/2"
.25		4714B6211	arm rest cover



Cushion & Backrest Assy.'s 3691 Sun Valley			
Flat Rate	Code	Part #	Description
.10	1	4758D5741	backrest assy. 38 1/2" x 15 3/4" x 3 1/2"
.25		4716D5741	backrest cover
.10	2	4756F5631	cushion assy. 39 1/2" x 18" x 4"
.25		4714F5631	cushion cover
.10	3	4758B6161	cushion assy. 81" x 20" x 5"
.25		4713B6161	cushion cover
.10	4	4758B6221	backrest assy. 78 3/4" x 13" x 5"
.25		4714B6221	backrest cover
.10	5	4758B6211	arm rest 15" x 5 1/2" x 5 1/2"
.25		4714B6211	arm rest cover

Cushion Button x2 - 4710-2681 m5

Dinette Cushion/Backrest Assemblies & Covers

Flat Rate .10 Assembly - .25 Cover

Model	Cushion Assembly	Cushion Cover	Model	Backrest Assembly	Backrest Cover
3681,96,89,95	4754G5241	4716G5241	3689,3696	4754G5231	4716G5231
			3681,78,95	4757E5591	4716E5591

CS Couch Cushion/Backrest Assemblies & Covers

Flat Rate .10 Assembly - .25 Cover

Model	Cushion Assembly	Cushion Cover	Model	Backrest Assembly	Backrest Cover
3696, 81,95	4758B6191	4714B6191	3696,81,	4758B6201	4714B6201
3695 Niagara	4757C6761	4716C6761	3695 Niagara	4757C6771	4716C6771

CS Couch Arm Rest Assemblies & Covers

Model	Arm Rest Assy.	Arm Rest Cover	Flat Rate .10 Assembly - .25 Cover
3696,81,94,95	4758B6211	4714B6211	

Cushion/Backrest Dimensions

Model	Cushion Assembly	Backrest Assembly
3689,96,81,95	43 1/4" x 19 3/8" x 4"	42 3/4" x 15 3/8" x 4"

Couch Cushion/Backrest Dimensions

Model	Cushion Assy.	Backrest Assy.
3696,3681	66" x 20" x 5"	66" x 13" x 5"
3695	42 1/2" x 23" x 4"	42 1/2" x 14" x 4"

Drape Package (Less Valance Pkg.) "Color - Mainline Raisin"

Note: Drape Pkg. Includes Privacy Curtains x4

Model	Drape Pkg.	# Of Panels	Flat Rate
3688 Sea Pine,	4754H5711	9	.30
3689 Santa Fe	4767-5491	9	.30
3696 Cheyenne	4754G5501	9	.30
3651 Mesa, 3691 Sun Valley	4755G6181	11	.30
3681 Utah	4757E5531	11	.30
3678 Bayside	4755F2981	10	.30
3694 Westlake	4755F6461	9	.30
3695 Niagara	4753H6451	11	.30

Drape Tab C-Shape m60 - 4750-2891
Flat Rate - .05

Valance Package - 4755C2771 - 3688, 3689 - Sea Pine, Santa Fe
Flat Rate - .25 4755C2781 - 3696 - Cheyenne
4755C2801 - 3651,81,91,94,95,78 -
Mesa, Utah, Westlake, Niagara, Bayside

Privacy Curtain Pkg. (Set Of 2 Panels)
.15 *4723J7901 - (all) Curtain size - 44 3/4" x 45"

Single Drape Panel W/Safety Straps
Note: refer to unit floor plan for size & quantity
.15 4714C9151 Drape pnl. 22" x 45"
.15 4716B9141 Drape pnl. 24" x 45"
.15 4716D8721 Drape pnl. 35" x 45"
.15 4716C8711 Drape pnl. 43" x 45"
.15 4716D7821 Drape pnl. 48" x 45"

Drape Tie Package (Qty. 1) - 4753E9801 (all)
Flat Rate - .05

Potty Curtain Pkg. 3681,3689 - 4756C8411 - 3681 Utah
(Factory Installed Potty Cab.) 4756C8401 - 3689 Santa Fe
Flat Rate - .20

Tip-out valance - 4759A6141 - 3651,3691,3678
Flat Rate - .20

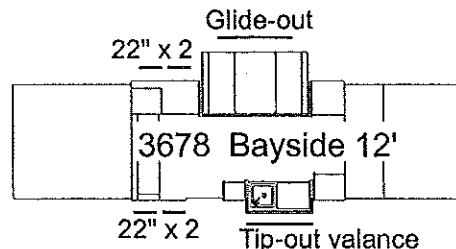
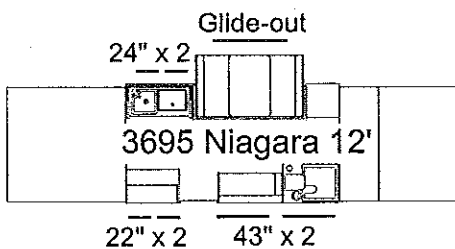
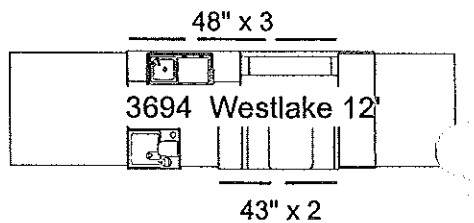
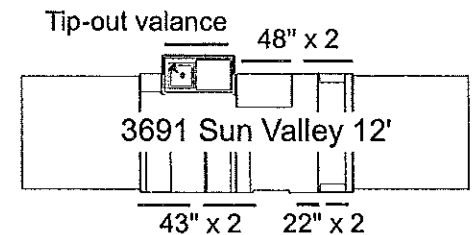
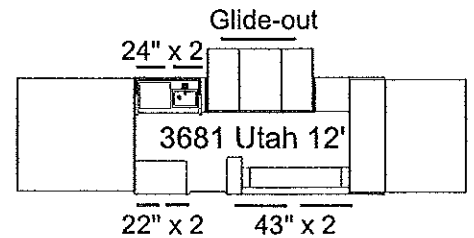
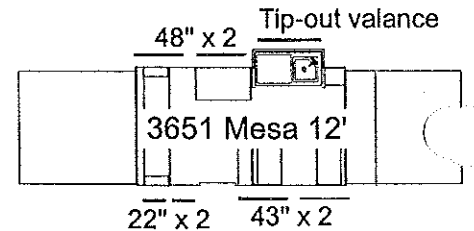
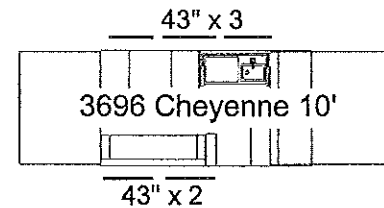
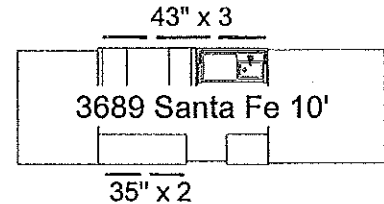
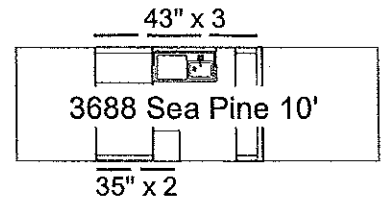
Glide-out curtain & valance - 4714E5531 - 3681, 3678, 3695
Flat Rate - .20

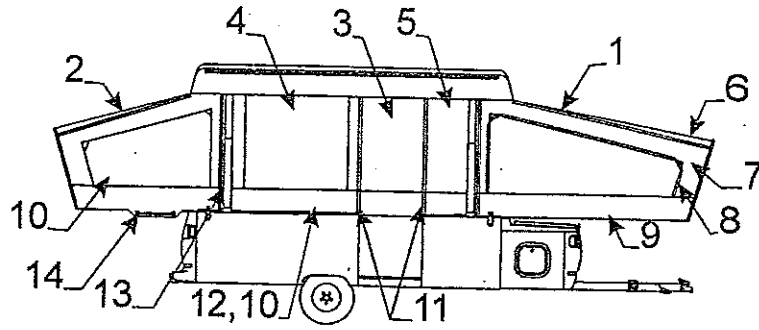
Dressing room curtain - 4753E9821 - 3694 /4756D6331 - 3695
Flat rate - .20

Shower curtain "white vinyl" - 4749A6661 - 3694, 95
Flat Rate - .20 4748-8161 shower curtain clip m10

Shower curtain outer "drape matl." - 4767-5361 - 3694 Westlake
Flat Rate - .20 4758A6331 - 3695 Niagara

Drape panel size & locations





Flat Rate	Sunbrella Tenting & Components	Code	Part #	Description
.40	1	4753E5861	front boot (all)	
.40	2	4753E5871	rear boot 3688,89,96	
.40		4753E5861	rear boot 3651,78,81,91,94,95	
.20	3	4753C5911	large window 3688,89,96	
.20		4755E6471	large window w/tipout 3651	
.20		4755E5581	large window w/tipout 3691	
.20		4753C5881	large window 3694	
.40		4756D6751	large window "glide-out" 3678,81,95	
.20	4	4753C5921	small window 3688,3689	
.20		* 4753D5921	small window w/grommet 3688,3689	
.20		4753C58991	small window 3691	
.20		* 4753D5891	small window w/grommet 3691	
.20		4753C5941	small window 3696	
.20		* 4753D5941	small window w/grommet 3696	
.20		4756B6761	small window 3651,81,94,95	
.20		* 4756C6761	small window w/grommet 3651,81,94,95	
.20		** 4757E5871	small window tipout "csf" 3678	
.20		* 4757F5871	small window tipout "csf" w/grommet 3678	
.15	5	4753D5931	door seal 3688,89	
.15		* 4753E5931	door seal w/grommet 3688,89	
.15		4753D5901	door seal 3691	
.15		* 4753E5901	door seal w/grommet 3691	
.15		4753D5951	door seal 3696	
.15		* 4753E5951	door seal w/grommet 3696	
.15		4755B6491	door seal 3694	
.15		* 4755C6491	door seal w/grommet 3694	
.15		4756C6771	door seal "csr" 3651,78,81,95	
.15		* 4756D6771	door seal "csr" w/grommet 3651,78,81,95	
	6	8110101429P	top vinyl package "campertex" (80" x 3 yds)	
	7	4716C0851	sunbrella patch package (12" x 14")	
	8	6650500131F	zipper (sold/yard) used around window	
		1225A4461	zipper pull m5	
	9	8118801450P	bottom vinyl facing "green" (80" x 3 yds.)	
	10	4714E1611	screen package (84" x 3 yards)	
		4714A0361	screen package (84" x 13 yards)	
	11	4350000009P	1" velcro hook (10' pc. Pkg.)	
	12	4716-2401	clear window vinyl (41" x 2 yards)	
	13	1225G3768	45 1/2" side zipper pin half	
		1225G3758	45 1/2" side zipper slider half	
.50	14	4060000045P	shock cord (150' pc. pkg.)	
.50		4714C6021	shock cord & hooks m2 (two 14' lengths)	
.15		4724A2011	shock cord termination (plastic hook) m10	
	15	4060000024F	arrowhead seal (sold/foot)	
.30	16	4735D6721	extension harness	
.50	17	4743-1588	k-kote seam sealer	
	18	4728-5641	tent retainer pkg.	
.30	19	4710-1001	vinyl daubing "white" m2	
.30		4710-1011	vinyl daubing "grey"	
.30		4710-1021	vinyl daubing "green" m2	

* Revised - 2/8/02

** Revised - 3/15/02



4753D59881	AUSA Top Assembly -3689 Santa Fe, 3688 Sea Pine	4755D5191	AUSA Top Assembly - 3694 Westlake
4753E66081	AUSA Top Assembly - 3651 Mesa	4753F6601	AUSA Top Assembly - 3695 Niagara
4758-5361	AUSA Top Assembly - 3678 Bayside	4753D59781	AUSA Top Assembly - 3696 Cheyenne
4756D6001	AUSA Top Assembly - 3681 Utah		
4753D5761	ASUA Top Assembly - 3691 Sun Valley		

ABS Tops Flat Rate 3.00

S/N of top must be on Warranty Claim Number located on screen door storage bracket

1.50 For A/C
1.00 For Crossbars
1.00 For Disposal

Flat Rate	ABS Code	Top Assembly Part #	Components Description
.15	1	4750A9581	top strike x4 m2
		4744C2461	torx screw m2 (x2 per strike)
		1201B6958	keps nut (x2 per strike)
		1202E0408	washer (x2 per strike)
		4739A4191	vinyl cap m6 (x2 per strike)
.50	2	4753-1211	canopy track 137 1/2" (must cut to size)
.20	3	4733B4511	steel loop m2
	4	4734C1861	rivet m25 (arctic white)
.15	5	4744D4741	double dome light w/mounting rivets
		4753-9861	dome light rivet m25
.10		4714J0891	dome light lens (x2 per light))
.15	6	4715-6981	screen door retaining brkt. pkg. (frt./rr.)
		4060075008F	3/4" x 1" foam tape (sold/foot)
.10	7	4755A5231	shower curtain rod (3694,3695)
.20	8	4749C5571	screen door storage bracket
		4734C1861	rivet m25 (hold brkt. to top)
		4749-2138	snap button m2
		1203-8631	rivet m25 (hold snap button to brkt.)
.15	9	4734E5211	screen door cable m2
.50	10	4753-1221	screen door track x2
.15	11	4723B5061	screen door strap x2
	12	1226D1381	stud w/rivet
	13	1203-9258	accordion rivet m25
	14	4756-8281	valance hook m4
.25	15	4753A5961	lift pocket assy. x4
.10	16	4723A8071	2" x 2" velcro hook patch m4
.10	17	4724D0991	3/4" velcro strip m4
.50	18	4753C1161	side tent track (must cut to size)
.50	19	4753B1201	tent track front & rear
2.00	20	4716-2221	top seal m41
		4756-2751	top seal glue kit
	21	4716-2171	ABS top glue kit
.20	22	4753-2201	wardrobe hanger
		1203-8531	rivet m25 (countersunk head)
	23	4755-5241	curtain slide tab x10 (3694,95)
.15	24	4755-5221	shower rod strap x2 (3694,95)
.20	25	4750-1761	shower head brkt. (3694,95)
.15	26	4755-5211	shower rod strap x2 (3694,95)
.15	27	4720D4021	lashing hook m6
		4741D96568	expansion rivet m25
.30	28	4756-4761	wire cover w/2 sided tape
		1203-8978	rivet m25 (countersunk head)
	29	4741D96568	expansion rivet m25
		4753-3351	plastic spacer m12 (both ends of track)
	30	4724F2631	velcro hook m6
.15	31	4756A8291	aux. lamp jack w/rivets
		4060031201P	white flexible tubing pkg. (1' pc.)
1.00	32	4757A5831	roof brace & mounting hardware
.25		4754-9251	hat bracket x2
		1200E2181	carriage bolt x4
.10	33	4716-1591	top cover plate pkg. (2 covers & glue)
	34	4716A1941	ABS top repair kit (repair scratches.....)
	35	4753-3351	plastic spacer m12
		4741D96568	expansion rivet m25

