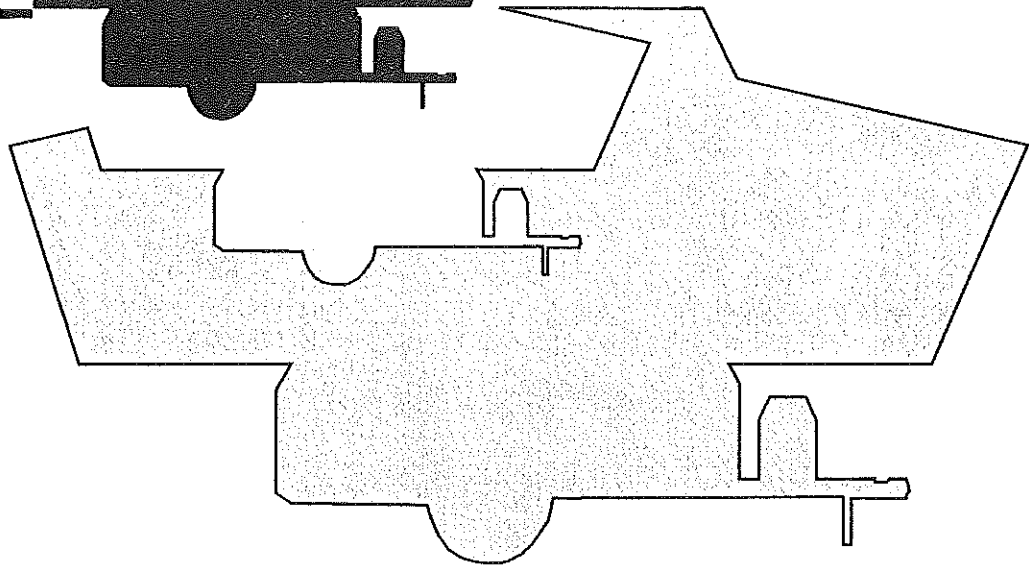


Fleetwood

Folding Trailers

Repair Parts



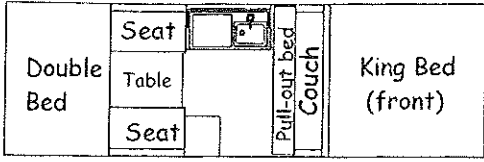
2000

Grand Tour/GT Elite Series



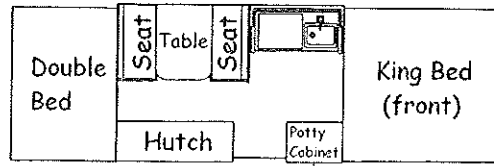
2000 Grand Tour Series

3488 SEA PINE 10'
ROADSIDE



CURBSIDE

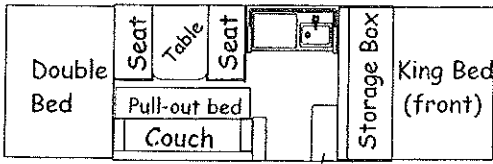
3489 Santa Fe 10'
ROADSIDE



CURBSIDE

Optional
Cassette Potty Cabinet

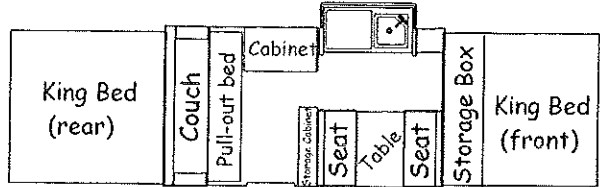
3496 Cheyenne 10'
ROADSIDE



CURBSIDE

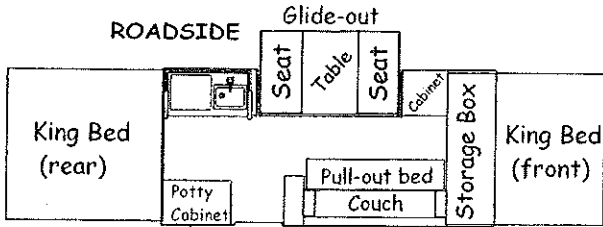
Potty
Cabinet

3451 Mesa 12'
ROADSIDE



CURBSIDE

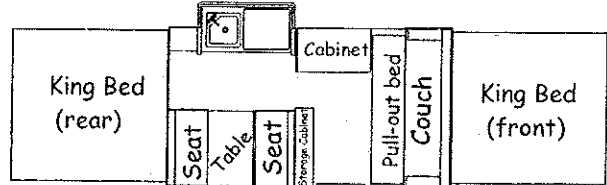
3481 Utah 12'



CURBSIDE

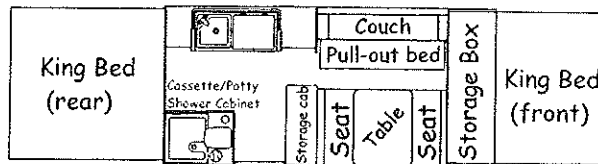
Optional
Cassette Potty
Cabinet

3491 Sun Valley 12'
ROADSIDE



CURBSIDE

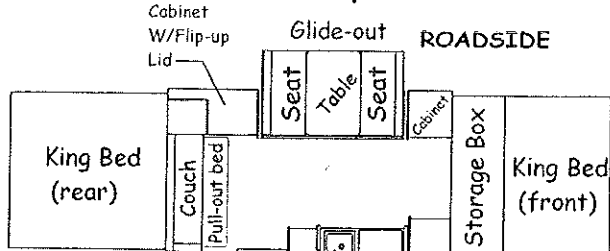
3494 Westlake 12'
ROADSIDE



CURBSIDE

2000 Grand Tour Elite Series

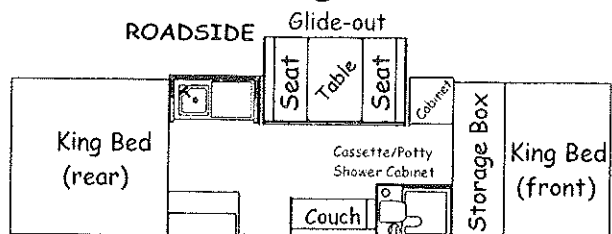
3478 Bayside 12'



CURBSIDE

Chest Of Drawers

3495 Niagara 12'



CURBSIDE

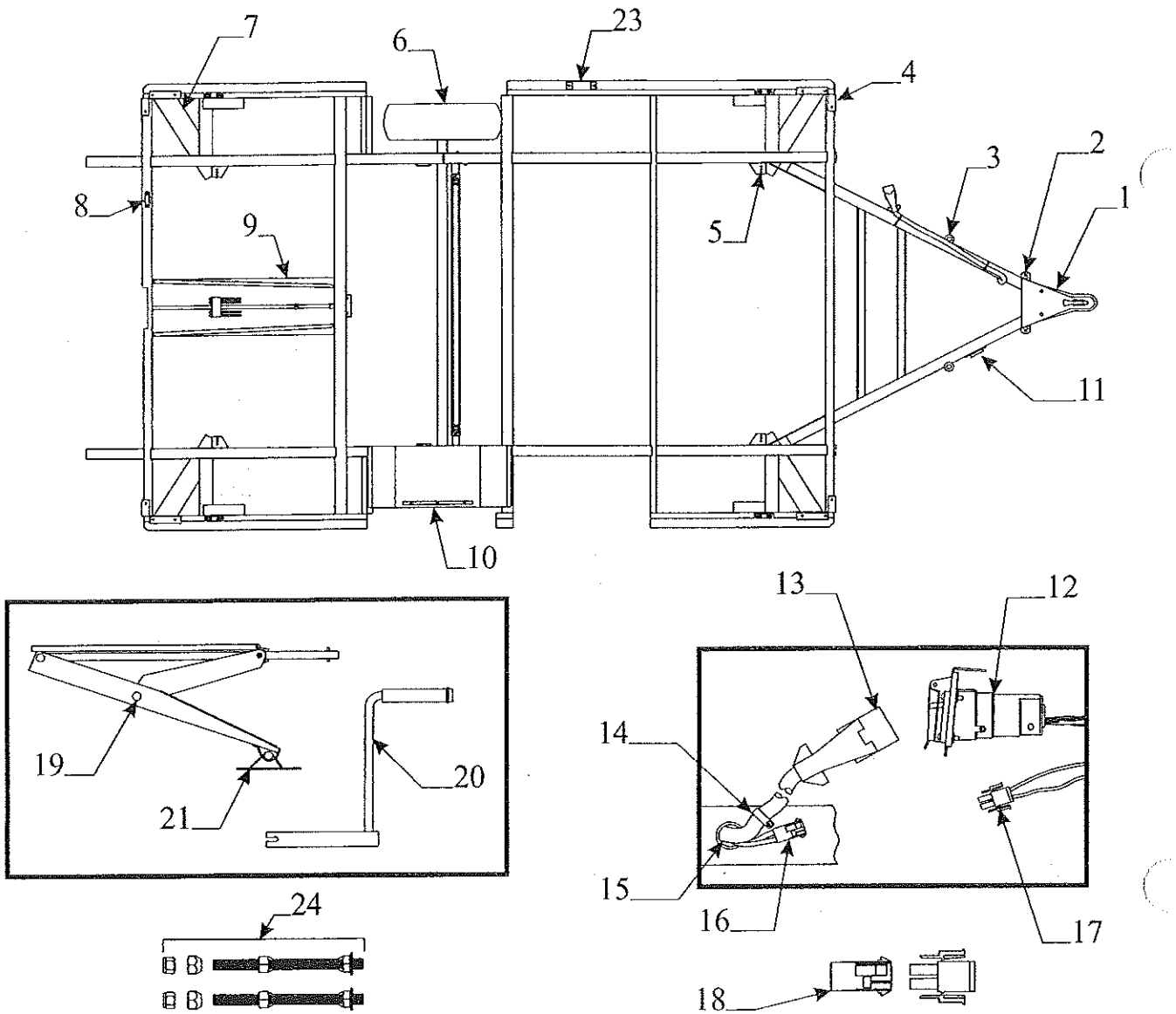
Cabinet W/
Flip-up Shelf

TABLE OF CONTENTS

| DESCRIPTION | PAGE |
|---|-------------|
| Access door key | 32 |
| Access door assembly & related parts | 10 |
| Auto extension | 33 |
| Axle assemblies & related parts | 6 |
| Backrest assemblies & covers | 36,37 |
| Bed assemblies | 30 |
| Bed extensions & related parts | 30 |
| Body panel right rear (curbside) | 11 |
| Body panel left side (roadside) | 12,13 |
| Body panel front & rear (ABS plastic) | 9 |
| Body panel right front (curbside) | 11 |
| Bumper & related parts | 9 |
| Cabinet assembly (corner cabints) | 20,23 |
| Cabinet assembly (csr cab. w/flip-up shelf) | 25 |
| Caulking | 33 |
| Converter & related parts | 27 |
| Cooler (built-in) | 16,17,21,25 |
| Corner bulkhead assembly | 2 |
| Coupler assembly | 2 |
| Crank-up/crank-down components | 5 |
| Crank handle | 2,10 |
| Cushion assemblies & covers | 36,37 |
| Door bulkheads | 12 |
| Drain hose (used on sinks) | 14 |
| Drape packages & related parts | 38 |
| Drawer assembly components | 26 |
| Dressing room curtain | 38 |
| Electric brakes & related parts | 7 |
| Fire extinguisher & components | 22 |
| Floor covering | 2 |
| Frame assembly & related parts | 2 |
| Gas detector | 26 |
| Gas hose (gas bottle hook-up) | 32 |
| Gas bottle mounting brackets | 32 |
| Gas quick disconnect (outside stove) | 33 |
| Gas bottle cover (molded ABS) | 35 |
| Gas bottle cover (black vinyl) | 33 |
| Gas bottle & related parts | 33 |
| Glide-out & related parts | 13 |
| Grease cap (dust cap) | 6,7 |
| Hub assembly & related parts | 6,7 |
| Hub caps | 2 |
| Hutch assembly (roadside 3491) | 21 |
| Hutch assembly (curbside 3489,96,81) | 22 |
| Hutch assembly (roadside 3451,78) | 25 |
| Lift assemblies & related parts | 4 |
| Lift trim & miter covers | 10 |
| Lower galley components (3488,89,96) | 16 |
| Lower galley components (3481,94,95) | 17 |
| Lower galley components (3491 Sun Valley) | 18 |
| Lower galley components (3478,3451) | 19 |
| Mattress assemblies & covers | 30 |
| Outside shower components | 12 |
| Paint (spray & quart can) | 33 |
| Paneling & trim | 3 |
| Parts package & components | 32 |
| Pigtail (car end) | 32 |
| Potty cabinet (3481,3489) | 21 |

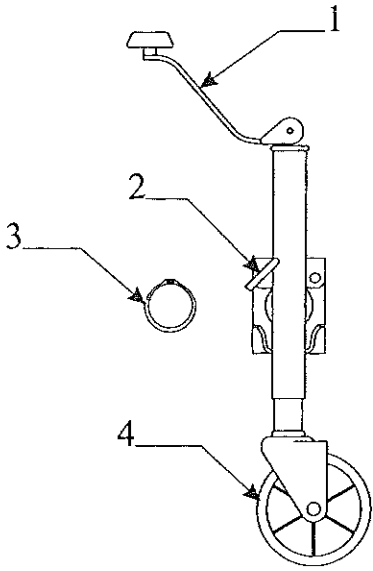
| DESCRIPTION | PAGE |
|---|-------------|
| Potty "cassette" (3494,95,81,89) | 21,24 |
| Power cord (converter) | 27 |
| Receptacle (exterior) | 11 |
| Receptacle (interior) | 27 |
| Refrigerator vents | 12 |
| Regulator & fittings | 32 |
| Safety chains | 32 |
| Screen door & related parts | 29 |
| Seat bench component parts | 26 |
| Shower curtain | 38 |
| Shower curtain rod (3494,95) | 40 |
| Shower stall w/potty (3494,95) | 24 |
| Shower head & hose | 12,24 |
| Sink & related parts | 14 |
| Spare tire cover (molded plastic) | 35 |
| Spare tire mount package | 32 |
| Stabilizer assembly | 2 |
| Stabilizer handle | 2 |
| Storage box components | 8,27 |
| Stove components (upper galley's) | 15 |
| Stove components (h.p. outside stove) | 28 |
| Table assemblies & related parts | 28 |
| Taillights (rear body panel) | 9 |
| Tent support assemblies & related parts | 31 |
| Tenting & related parts (sunbrella) | 39 |
| Thermostat (Hydro Flame) | 26 |
| Thrust nut & bearing | 5 |
| Tie backs (curtains) | 38 |
| Tipout & glideout tent bows | 31 |
| Tire & rim | 2 |
| Tire cover "black vinyl" | 2 |
| Tongue jack & related parts | 3 |
| Top assemblies & related parts | 40 |
| Trim tape kits | 11,12 |
| Upper galley assembly (3488,89,96) | 16 |
| Upper galley assembly (3481,94,95) | 17 |
| Upper galley assembly (3491) | 18 |
| Upper galley assembly (3451,78) | 19 |
| Valance package | 38 |
| Water heater | 34 |
| Water level monitor 3478,95 | 34 |
| Water pump & related parts | 14 |
| Water system & related parts | 34 |
| Wheel well | 2 |
| Whiffletree & related parts | 4 |
| Zippers (tenting assemblies) | 39 |

| | |
|--------------------------------------|--|
| Axle/Brakes - Dexter | 219/295-1900 |
| Converter - Elixir/Centurion | 800/848-0558 |
| Furnace - Hydro Flame #7916-11 .. | 800/825-4328 U.S. 800/831-7531 CAN. |
| Hand pump - Shurflo | 800/762-8094 |
| Stove - Atwood Greenbrier | 800/646-8557 |
| Refrigerator - Norcold #323,260 | 800/752-8654 |
| Tires - Duro | 800/966-8473 |
| Water heater - #5031E | 423/775-2131 |
| Cassette Potty - Thetford | 800/354-4135 |
| Mixer Faucet - Empire Brass | 800/431-6440 |

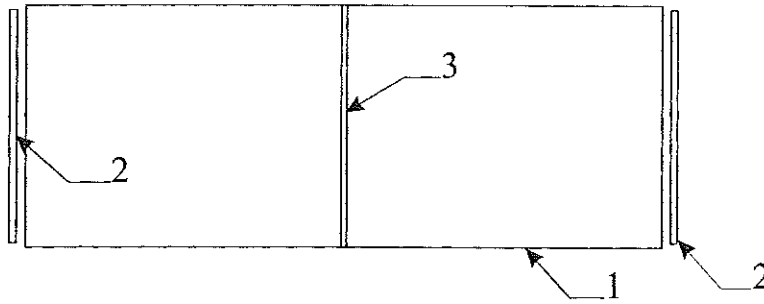


| Flat Rate | Code | Part # | Description | Flat Rate | Code | Part # | Description |
|-----------|------|---|--|-----------|------|---------------|-----------------------------------|
| 1.50 | 1 | 4742-2001 | coupler assembly | .25 | 9 | 4752B4921 | whiffletree pan cover |
| .25 | | 4714A2211 | coupler repair kit | | | 4755-4611 | tek screw m25 |
| .75 | 2 | 4748-6611 | chain bar w/pins | 2.00 | 10 | 4754D0531 | wheel well assembly x2 (all) |
| .10 | 3 | 4747-8941 | pin cover m2 (plastic) | .75 | 11 | 4720B3331 | jack brkt. (welded to tongue) |
| 2.00 | 4 | 4754A6221 | bulkhead csr/rsf (see note) | | 12 | 4746A5591 | pigtail - bargman (car end) |
| 2.00 | | 4754A6211 | bulkhead rsf/csf (see note) | | 13 | 4753B3751 | trlr. wire harness - bargman |
| | | Note: storage box models will use front bulkheads listed below | | | | | |
| 2.00 | | 4754A6231 | bulkhead csf 3451,81,96,94,78,95 | | 14 | 1201-8708 | 3/8" clamp |
| 2.00 | | 4754A6241 | bulkhead rsf 3451,81,96,94,78,95 | | | 1203C8721 | steel rivet m25 |
| | | 1203C8751 | rivet m25 (rivet bulkhead to frame) | | 15 | 4742-8108 | 1 1/4" snap bushing |
| .75 | 5 | 4732E3671 | adjustable pulley brkt. X4 | .15 | 16 | 4716A5001 | 12 volt power harness |
| .25 | | 4715A5371 | pulley & bearing m10 | | 17 | 4749B5531 | 12 volt wire harness m2 |
| | | 4720C1578 | short pin m4 | | 18 | 4716A4701 | 12 volt cap & plug m2 |
| | | 1204B1081 | cotter pin m10 | .25 | 19 | 4751A3351 | stabilizer assy. (screw down) |
| .25 | 6 | 4757-2468 | tire & rim 13" ld "C" 3488, 89, 96 | | | 4751-8208 | tapping screw (3 per stab.) |
| .25 | | 4753D8168 | tire & rim 13" ld "D" 3451,78,81,91,94,95 | .10 | 20 | 4747F4141 | crank handle |
| | | 4723D3161 | tire cover "balck vinyl" | | 21 | 4755-6841 | sand shoe (set of 4) |
| | | 4757-2131 | 13" hub cap set (standard on elite only) | | 22 | * 6610707228P | floor covering pkg. (7 1/2' x14') |
| | | 4741-3268 | 2" valve extension(not include w/hub caps) | | 23 | 4720J1531 | side bulkhead |
| | 7 | 4755B6641 | stabilizer plate csf/rsr (all) | | 24 | 4747B5891 | spare tire mount kit (all) |
| | | 4755B6651 | stabilizer plate rsf/csr (all) | | | | |
| 1.00 | 8 | 4758A5851 | spare tire support | | | | |

* Prior Authorization Needed From Factory



| Flat Rate .10 Jack Removal | | | |
|--|------|-----------|-----------------------|
| Tongue Jack Assembly (4720C6661) "Norco" | | | |
| Flat Rate | Code | Part # | Description |
| .15 | 1 | 4716-1951 | jack handle kit |
| .15 | 2 | 4716-1981 | locking plunger kit |
| .10 | 3 | 4720A3341 | snap ring m2 |
| .25 | 4 | 4716-1971 | jack wheel nut & bolt |

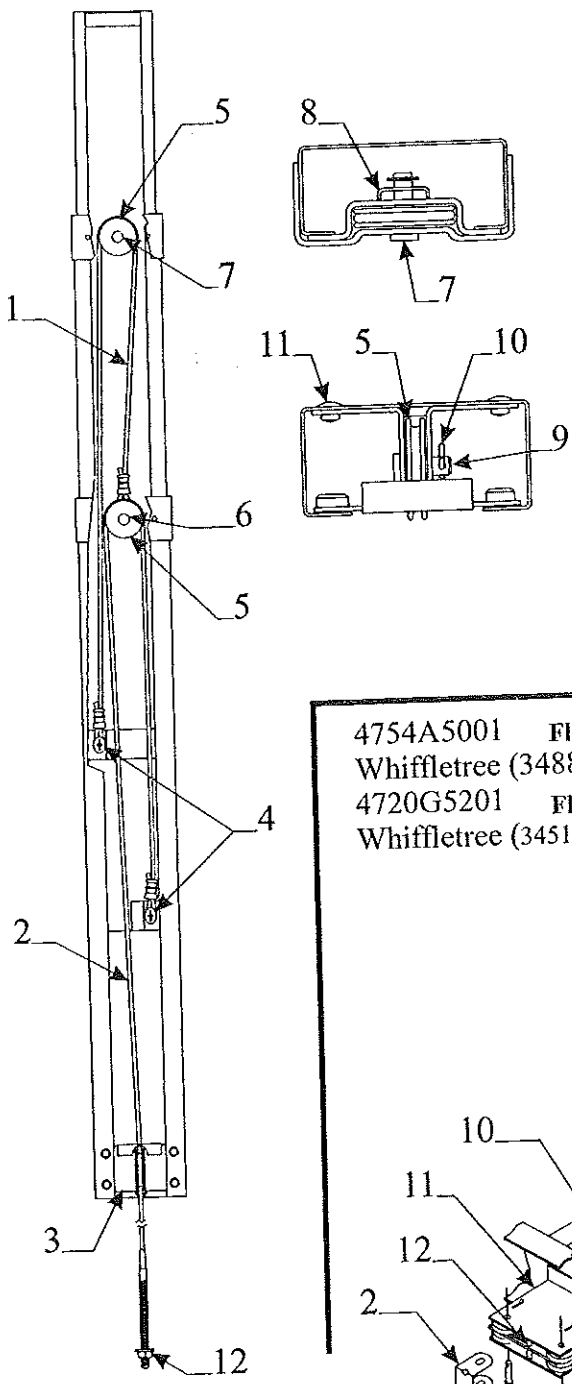


| Paneling & Trim (Must Cut To Size) | | | |
|------------------------------------|------|-----------|--------------------------------------|
| Flat Rate | Code | Part # | Description |
| * | 1 | 4754D1361 | universal wall panel 48" x 23 13/16" |
| * | 2 | 4716B1321 | universal corner divider m2 48" pc. |
| * | 3 | 4716B1331 | universal panel divider m2 48" pc. |

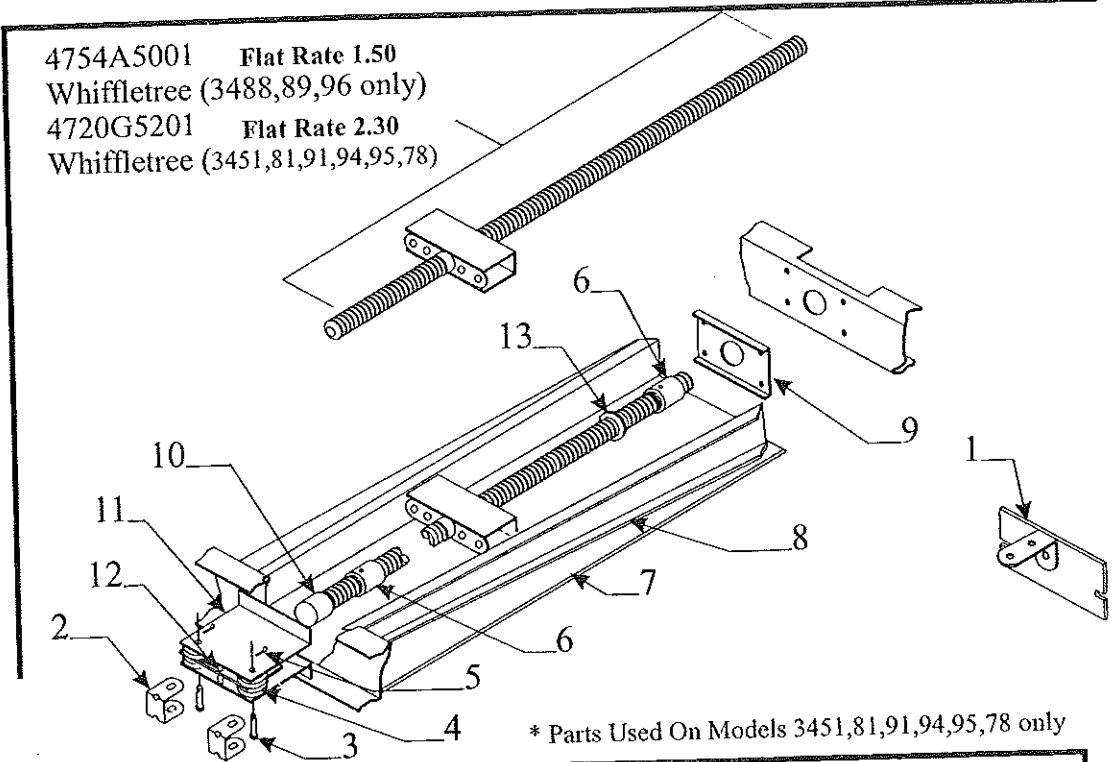
* Prior Authorization Needed

Flat Rate 1.25 Per Lift Assembly
 4716-0031 lift assembly roadside rear/curbside front (all)
 4716-0041 lift assembly roadside front/curbside rear (all)

| Flat Rate | Lift Assembly Code | Component Part # | Description |
|-----------|--------------------|------------------|----------------------------|
| .75 | 1 | 4720D5271 | cable assembly x1 m2 |
| | | 4720C1691 | cable crimp m20 |
| 1.25 | 2 | 4754A6121 | 184" long cable & crimp |
| | | 4744-1318 | copper cable crimp m10 |
| 1.25 | 3 | 4731C5801 | butterfly bracket assy. |
| .05 | 4 | 4749-2081 | screw m6 |
| .50 | 5 | 4715A5371 | steel pulley & bearing m10 |
| .25 | 6 | 4747-8931 | long pin x2 |
| | | 4730B0981 | retaining ring m12 |
| .25 | 7 | 4749-4061 | short pin m4 |
| | | 4730B0981 | retaining ring m12 |
| .25 | 8 | 4749A2028 | retaining clip |
| .45 | 9 | 4720C1578 | lift pin m4 |
| | 10 | 1204B1081 | cotter pin m10 |
| | 11 | 1203-8641 | rivet m25 |
| | 12 | 1201B6378 | 1/4" lock nut |
| | | 1202E0408 | washer |

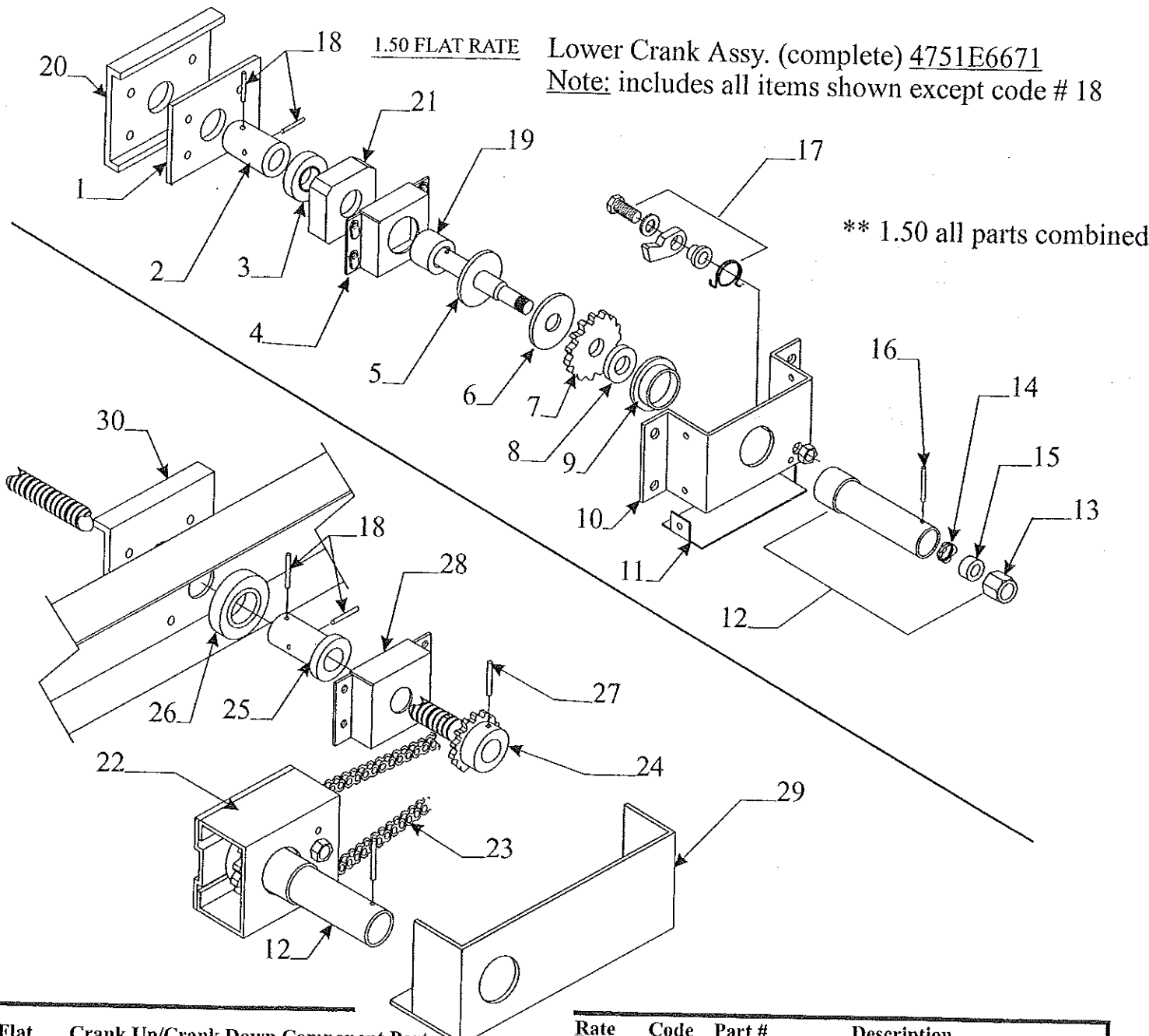


4754A5001 Flat Rate 1.50
 Whiffletree (3488,89,96 only)
 4720G5201 Flat Rate 2.30
 Whiffletree (3451,81,91,94,95,78)



* Parts Used On Models 3451,81,91,94,95,78 only

| Flat Rate | Whiffletree & Related Parts Code | Part # | Description | Flat Rate | Code | Part # | Description0 |
|-----------|----------------------------------|-----------|----------------------|-----------|------|------------|-------------------------|
| .15 | 1 | 4749A821 | mud flap & brkt. | .25 | 7 | 4752B4921 | whiffletree pan cover |
| .50 | 2 | 4744B1741 | cable retainer x2 | | | 4755-4611 | tek screw m25 |
| .20 | 3 | 4720J1561 | long pin m4 | .25 | 8 | 4720F237 | pan cover side (welded) |
| .50 | 4 | 4715A5371 | pulley & bearing m10 | | 9 | *4720C2418 | plate |
| .10 | 5 | 1204B1081 | cotter pin m10 | 2.00 | 10 | 4730D1291 | screw socket (welded) |
| 1.60 | 6 | 4710B4248 | bushing x2 | 2.00 | 11 | 4720-1551 | pulley plate |
| | | 4720D1481 | roll pin m10 | .50 | 12 | 4715D5661 | pulley spacer |



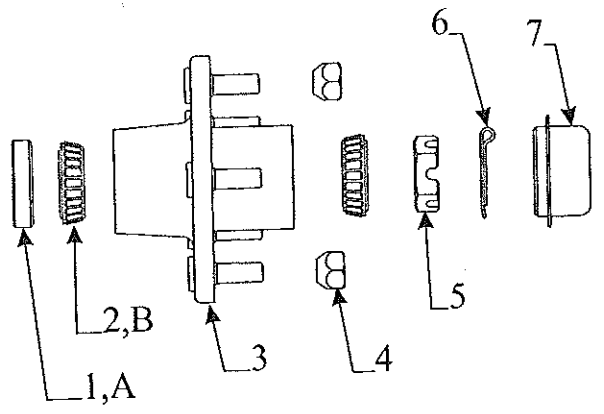
1.50 FLAT RATE Lower Crank Assy. (complete) 4751E6671
Note: includes all items shown except code # 18

** 1.50 all parts combined

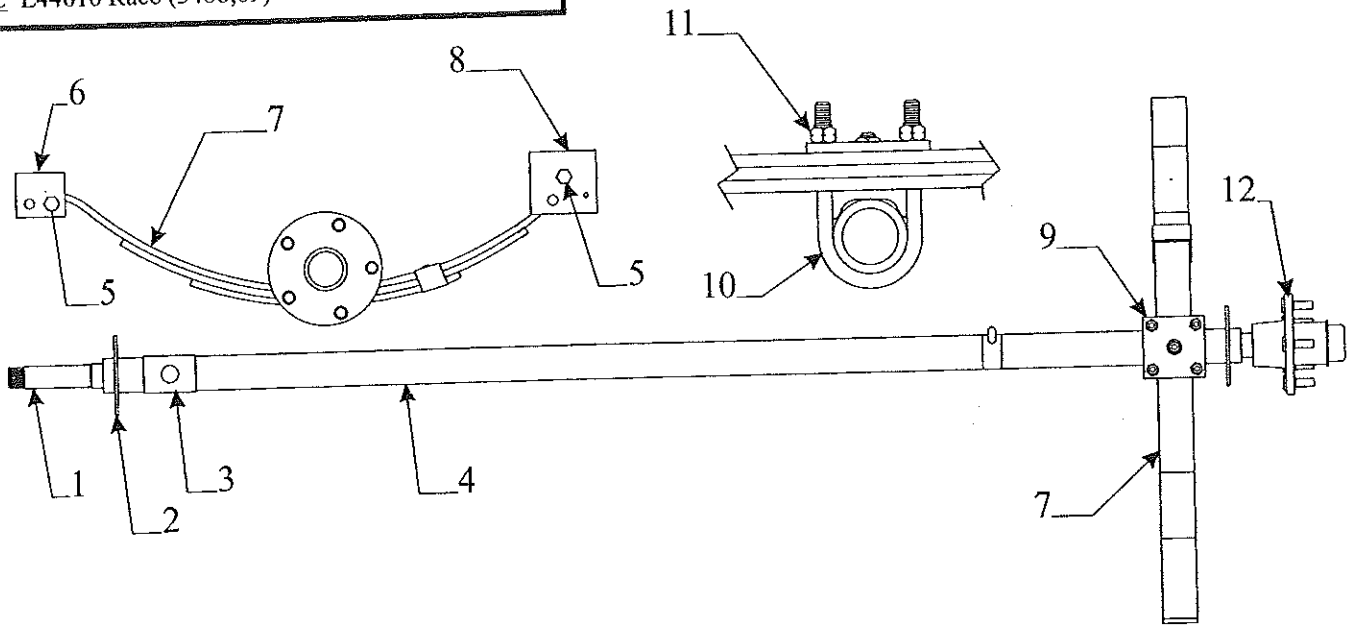
| Flat Rate | Crank Up/Crank Down | Component Parts | Rate | Code | Part # | Description |
|-----------|---------------------|------------------------------------|------|------|------------|------------------------------|
| | | Code Part # | | | | |
| | | Description | | | | |
| 1.50 | 1 | 4756-8321 bearing housing plate | .50 | 14 | *4752-3921 | handle spring x1 m2 |
| | 2 | 4756-8301 coupler bushing | .10 | 15 | *4751-4671 | nylon washer x1 |
| 1.50 | 3 | 4720C2421 thrust bearing | .60 | 16 | *4747A9451 | spiral roll pin x1 m6 |
| ** | 4 | 4750A9251 bearing housing | 1.00 | 17 | 4716-1221 | ratchet pawl pkg. |
| | | 4738A0898 hex bolt x4 | 1.50 | 18 | 4744A1301 | shear pin x1 m10 |
| ** | 5 | 4751-3701 driveshaft | | 19 | 4756A8311 | spacer bushing |
| ** | 6 | 4751-3561 pressure plate | 1.50 | 20 | 4750A9261 | plate "painted" |
| ** | 7 | 4751-4831 ratchet wheel | .50 | 21 | 4756-8441 | bearing house square spacer |
| ** | 8 | 4751-3581 pressure washer | .25 | 22 | 4745H6101 | lower crank 12' models |
| ** | 9 | 4751-3591 shaft bushing | .40 | 23 | 4755A1431 | chain assy. 12' models |
| ** | 10 | 4751A3691 crank housing | 1.00 | 24 | 4730B3848 | 12 tooth sprocket 12' models |
| | | 4731-3878 hex head bolt x4 | 1.00 | 25 | 4720B2388 | thrust nut 12' models |
| | | 1201B6038 lock nut x4 | .75 | 26 | 4720B2421 | thrust bearing 12' models |
| ** | 11 | 4751-3721 housing cover plate | .10 | 27 | 4720D1481 | roll pin m10 |
| | | 1203-8641 rivet m25 | | 28 | 4720B2408 | bearing housing 12' models |
| .75 | 12 | 4751C5681 drive hub extension pkg. | | 29 | 4757A2711 | lower crank cover 12' models |
| | 13 | *4751-3551 5/8" nut | | 30 | 4720C2418 | plate |

Note: pkg. Includes parts marked w/* asterisk

| Idler Hub Assembly & Related Parts - 3488,89,91,96 | | | |
|--|------|-----------|-------------------------------------|
| Flat Rate | Code | Part # | Description |
| .50 | 1 | 4714A2201 | grease seal x1 m4 (3488,89) |
| .50 | | 4716-1441 | grease seal x1 m4 (3491,96,97) |
| .50 | 2 | 4716-1101 | bearing, race & seal pkg. (3488,89) |
| .50 | | 4716-1451 | bearing, race & seal pkg. (3491,96) |
| .30 | 3 | 4738D0451 | hub & lug nuts (3488,89) |
| .30 | | 4716-1201 | hub & lug nuts (3491,96) |
| .05 | 4 | 4747A9528 | lug nuts x5(all) |
| .10 | 5 | 4714-3068 | slotted spindle nut x1 (all) |
| .10 | 6 | 1204-1268 | cotter pin x1 (all) |
| .05 | 7 | 4714B0621 | dust cap m4 (all) |



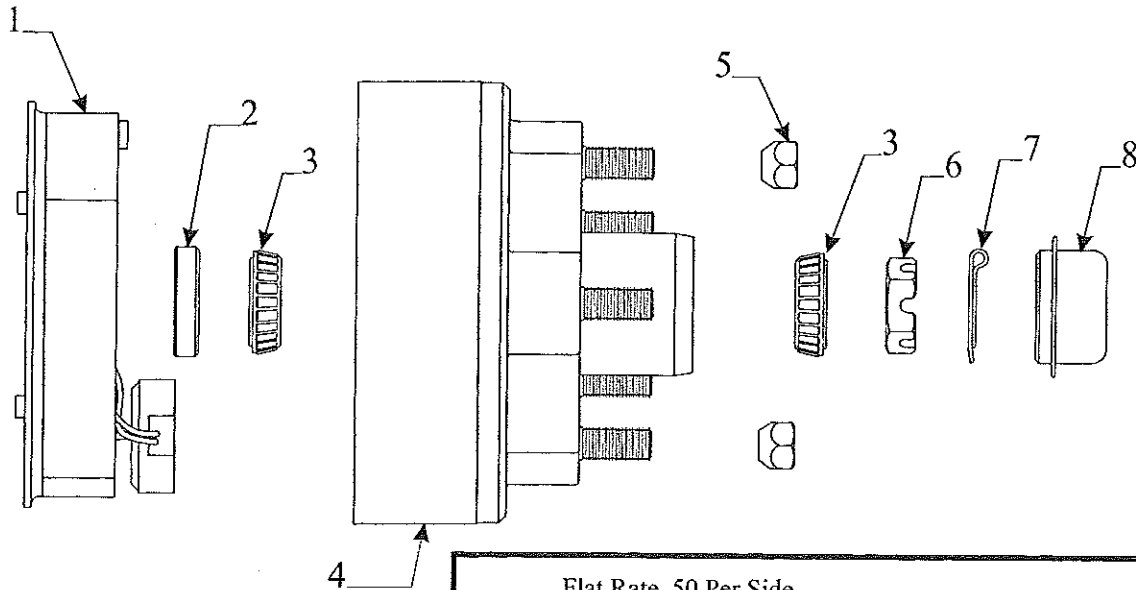
Crossover Numbers To Purchase Locally
A 13194TM or 198138SP21 Grease Seal (3488,89)
 171255VB Grease Seal (3491,96,97)
B L44649 Bearing (3388,89 x2/ 3491,964 x1)
 L68149 Bearing (large inner x1 3491,964)
C L44610 Race (3488,89)



4741G6301 Axle Assembly (Complete) - 3488,3489 F.R. .75
 4756A1101 Axle Assembly (Complete) - 3496,3491 F.R. .75
 4730U3011 Brake Axle Assy. (Complete) - 3451,78,81,94,95 F.R. 1.25
 NOTE: Axle Assy. 4756A1101 / 4730U3011 limited parts stocked
 refer to Dexter Axle for required part (s) phone - 219/295-1900

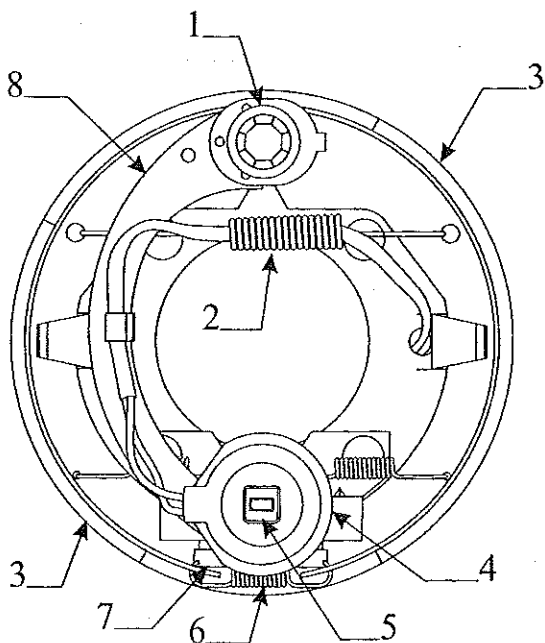
| Flat Rate | Code | Part # | Description | Flat Rate | Code | Part # | Description |
|-----------|------|-----------|-------------------------|-----------|------|--|----------------------------------|
| * | 1 | 4741B8491 | spindle (3488,3489) | 2.00 | 6 | 4741A3398 | spring shackle "rear" (all) |
| * | 2 | 4741A8471 | brake plate (3488,3489) | .75 | 7 | 4735G2201 | leaf spring (3488,89) |
| * | 3 | 4741-8461 | spring pad channel m2 | .75 | | 4735G22081 | leaf spring (all except 3488,89) |
| 1.00 | 4 | 4741F6251 | axle beam (3488,3489) | 2.00 | 8 | 4741C3398 | spring shackle "front" (all) |
| .25 | 5 | 4737A1318 | shackle bolt (all) | .50 | 9 | 4741-8458 | u-bolt plate (3488,89) |
| | | 4741-9498 | shackle bolt nut (all) | .25 | 10 | 4741A8438 | u-bolt (3488,89) |
| | | | | | 11 | 4741-9358 | u-bolt nut (3488,89) |
| | | | | | 12 | Note: refer above for hub & components | |

* PRIOR AUTHORIZATION NEEDED



Flat Rate .50 Per Side
Electric Brake Pkg. 7 x 1 1/4" (4714H2011)
Electric Brake Pkg. 10 x 2 1/4" (4714J2011)

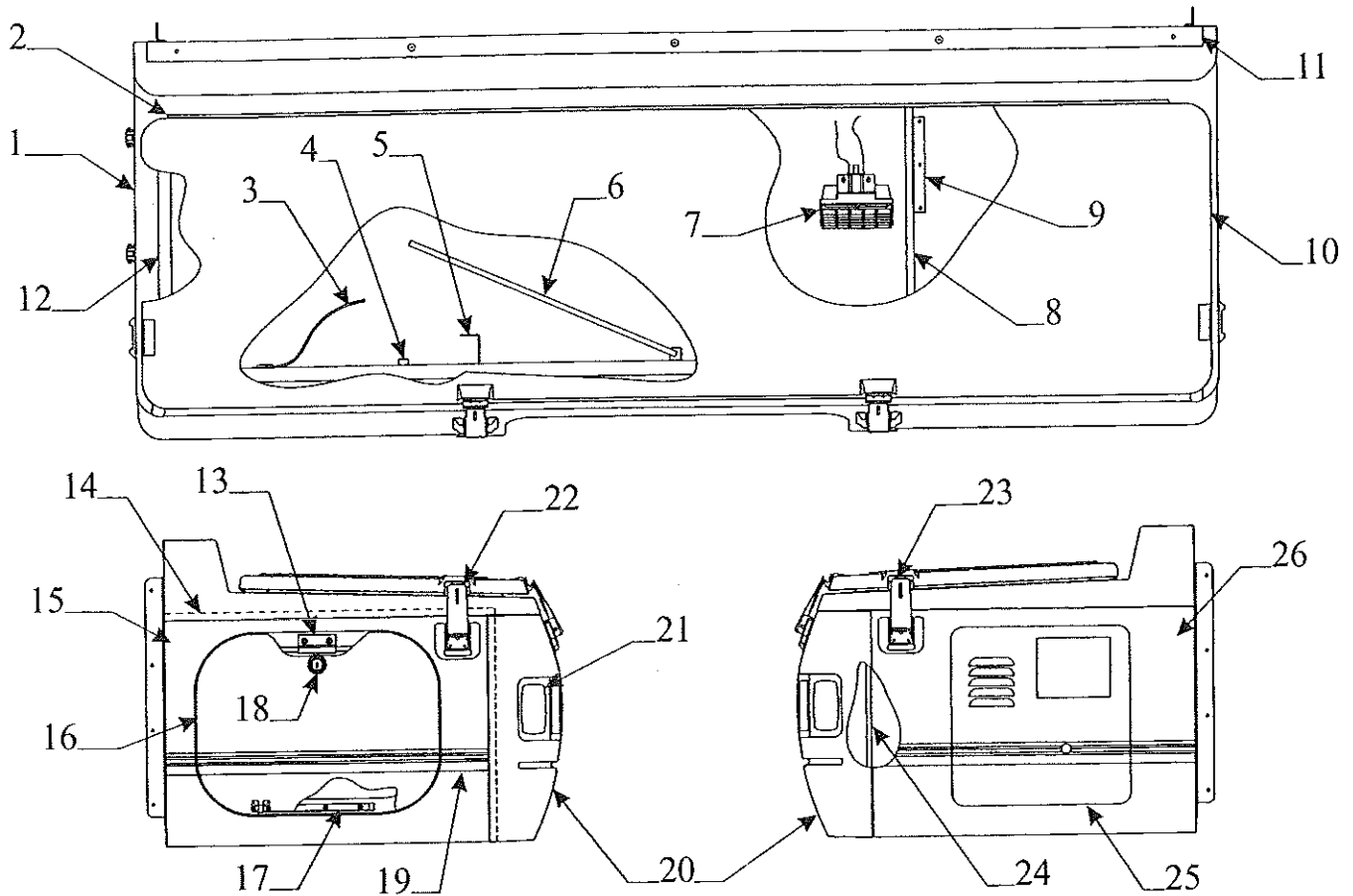
| Flat Rate | Code | Part # | Description |
|-----------|------|-----------|---------------------------------|
| .50 | 1 | 4733A3521 | 7" brake assembly (right hand) |
| .50 | | 4733A3531 | 7" brake assembly (left hand) |
| .50 | | 4716-6251 | 10" brake assembly (right hand) |
| .50 | | 4716-6261 | 10" brake assembly (left hand) |
| .50 | 2 | 4714A2201 | 7" grease seal x1 m4 |
| .50 | | 4716-1441 | 10" grease seal x1 m4 |
| .50 | 3 | 4716-1101 | 7" bearing, race & seal pkg. |
| .50 | | 4716-1451 | 10" bearing, race & seal pkg. |
| .30 | 4 | 4716A1071 | 7" hub & drum x2 |
| .30 | | 4716-1431 | 10" hub & drum x2 |
| .05 | 5 | 4747A9528 | lug nuts x5 |
| .10 | 6 | 4714-3068 | slotted spindle nut x1 |
| .10 | 7 | 1204-1268 | cotter pin x1 |
| .05 | 8 | 4714B0621 | dust cap m4 |



Flat Rate .50 Per Side
Electric Brake Components

| Flat Rate | Code | Part # | Description |
|-----------|------|------------|--|
| | 1 | *4714A2461 | anchor post clip m2 |
| | 2 | *4714A2411 | retractor spring |
| .40 | 3 | *4714B2071 | 7" x 1 1/4" brake shoe (set) |
| .40 | | 4716-2871 | 10" x 1 1/12" brake shoe (set) |
| .40 | 4 | *4714D2451 | 7" magnet, spring & clip pkg. |
| .40 | | 4716-2881 | 10" magnet, spring & clip pkg. |
| .30 | 5 | *4714B2471 | retainer clip m2 |
| | 6 | *4714A2101 | adjusting screw spring |
| | 7 | *4714A2041 | adjusting screw |
| | 8 | *4714A2841 | rt. & lt. lever arm pkg. |
| .30 | 9 | *4714B2421 | magnet housing spring (part not shown) |

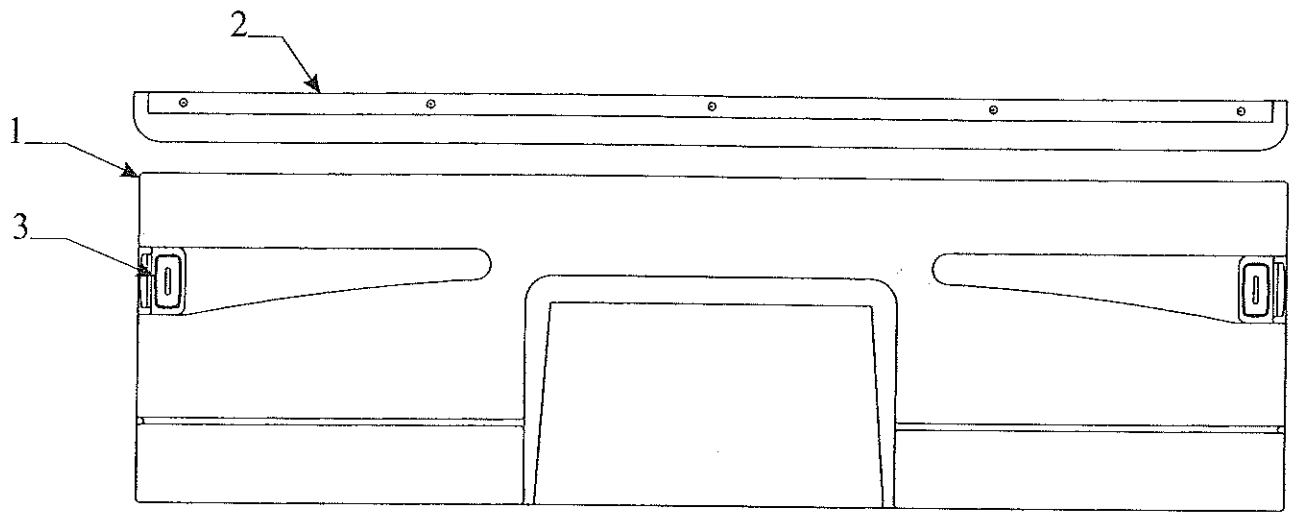
*Note: parts used on 7 x 1 1/4" brake only refer to Dexter Axle for 10 x 2 1/4" brake components - Phone 219/295-1900



Storage box components - 3451,78,81,94,95,96

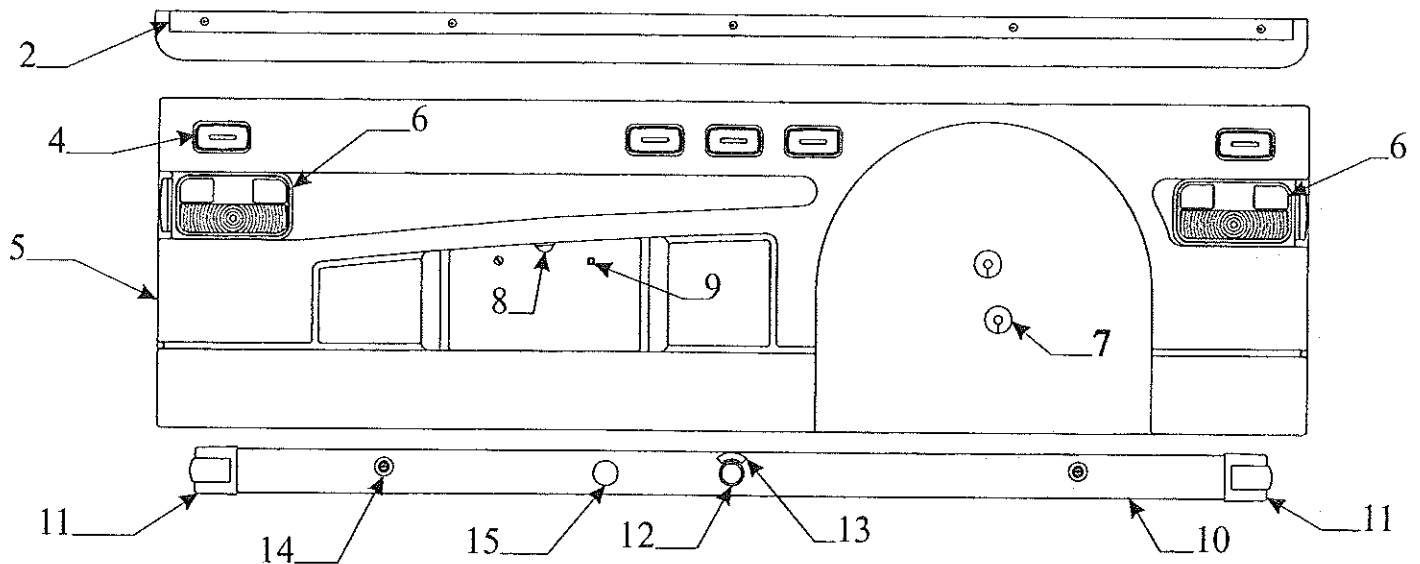
| Flat Rate | Code | Part # | Description | Flat Rate | Code | Part # | Description |
|-----------|------|-------------|-------------------------------|-----------|------|-------------|--|
| 1.50 | 1 | 4753F5851 | lid/deck assy. (Complete) | .45 | 16 | 4757-1771 | compartment door (less lock) Note: door includes seal |
| .65 | 2 | 4753B1301 | lid hinge | | | 4060000615P | compart. door seal (6' pc.pkg.) |
| | | 1014T10068 | machine screw x13 | .50 | 17 | 4757-1781 | plastic door hinge |
| | | 1201B6958 | keps nut x13 | | | 4720D2361 | hinge pin w/push nuts m2 |
| .10 | 3 | 4753A6391 | stove strap | .15 | 18 | 4751C8301 | cam lock w/o-ring |
| | 4 | 4720A0721 | cooler clip m2 | | 19 | 4716A4971 | trim tape (3' pc.) GT |
| | 5 | 4753C2551 | stove storage brkt. | | | 4716-2431 | trim tape (3' pc.) GTE |
| | 6 | 4751B1181 | prop rod | 1.50 | 20 | 4754C1531 | front ABS body panel (all) |
| | | 4751-1208 | push nut | .15 | 21 | 4714H08481 | amber lens & base |
| | | 4751-1191 | prop rod bracket | .15 | 22 | 4741C6041 | latch w/out lock tab x3 |
| .25 | 7 | 4751-0921 | cargo light | | | 4741A9101 | hex head tek screw m10 |
| | | 4741D96568 | expansion rivet m25 | | | 4744B2468 | screw x4 (side latches) |
| .25 | 8 | 4756A8331 | water heater divider wall | | | 1201B6958 | keps nut x4 (side latches) |
| | 9 | 4751A1111 | l-bracket "painted" | .15 | | 4749B1441 | strike m2 (used x4) |
| .40 | 10 | 4060000588P | lid seal package (12' pc.) | | | 4741D96568 | expansion rivet m25 |
| .75 | 11 | 4754B1041 | end rail w/double stick tape | .15 | 23 | 4715F5051 | latch w/lock tab (cs only) |
| .40 | 12 | 4060000404P | deck seal pkg. (20' pc.) | | 24 | 4754B5601 | front wood wall panel (all) |
| .25 | 13 | 4757A2021 | storage door strike | * | 25 | 4716-1331 | water heater door |
| | 14 | 4358800015P | vhb joint tape (16' pc. Pkg.) | .25 | 26 | 4754F1981 | rs ABS side pnl. |
| 1.80 | 15 | 4754F1971 | cs ABS box side panel | 1.80 | 27 | 4754-2001 | floor seam divider 86" pc. |
| | | | | 1.50 | 28 | 4716A1761 | floor covering 4' x 7 1/2' pc. |
| | | | | * | | | |

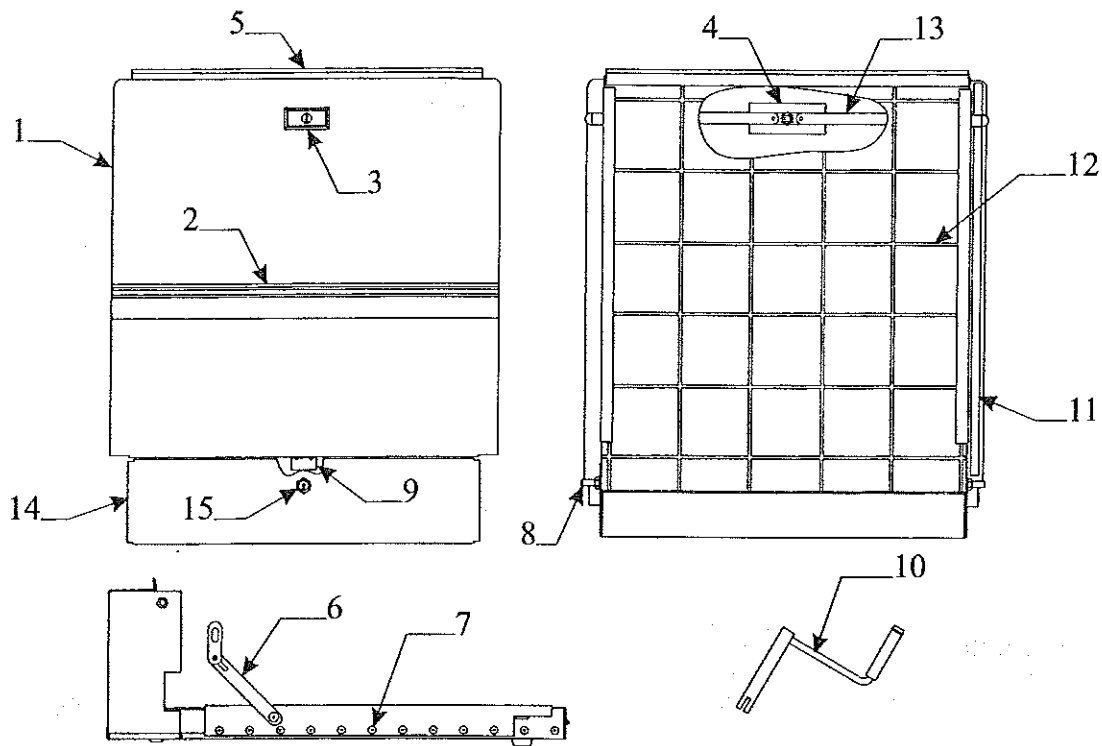
* Prior authorization from factory needed



*** 1.50 Flat Rate Front Panel / 2.50 Rear Panel**

| Front & Rear ABS Body Panel Components | | | | Front & Rear ABS Body Panel Components | | | |
|--|------|------------|---|--|------|------------|---------------------------------------|
| Flat Rate | Code | Part # | Description | Flat Rate | Code | Part # | Description |
| * | 1 | 4757-1701 | front body pnl.(All except box models) | .10 | 7 | 4754-3871 | foam gasket m2 |
| | | | Note:refer to page 8 for frt. pnl. on box models | .15 | 8 | 4739B4311 | tag light |
| .75 | 2 | 4754B1041 | front end rail (all) | .05 | 9 | 4732-1181 | plastic grommet m4 |
| | | 1107E10128 | 10 x 3/4" screw "ss" (x5 per rail) | .05 | | 1121C1618 | license plate screw x2 |
| .15 | 3 | 4714H08481 | amber marker light x4 | .30 | 10 | 4757-2381 | bumper 3488,89 |
| .10 | | 4716-4571 | amber lens (lens only) | .30 | | 4756B2371 | bumper (all except 3488,89) |
| .25 | | 4733H1311 | socket & harness | .10 | 11 | 4753C2051 | bumper cap pkg. 3488,89 |
| | | 4747-2558 | expansion rivet m25 | .10 | | 4753C2041 | bumper cap pkg.(all except 3488,89) |
| .15 | 4 | 4714H08581 | red marker light x7 | | | | (Note: pkg. includes 2 caps & rivets) |
| .10 | | 4716-4561 | red lens (lens only) | .10 | 12 | 4733-2741 | 2" snap bushing |
| * | 5 | 4757-1871 | rear body pnl. (All) | .25 | 13 | 4730H3188 | "open" decal |
| .15 | | 4737C4451 | panel gasket (x2 per pnl.) | | 14 | 1032B24248 | bolt x2 |
| .20 | 6 | 4749B4321 | taillight | | | 1202B0468 | washer x6 m10 |
| .10 | | 4716A1061 | taillight lens | | | 1202B1068 | washer x2 |
| | | 4747-2558 | expansion rivet m25 | .10 | 15 | 1201B6068 | nut x2 |
| | | | | | | 4756-9761 | 2" hole plug "black" |

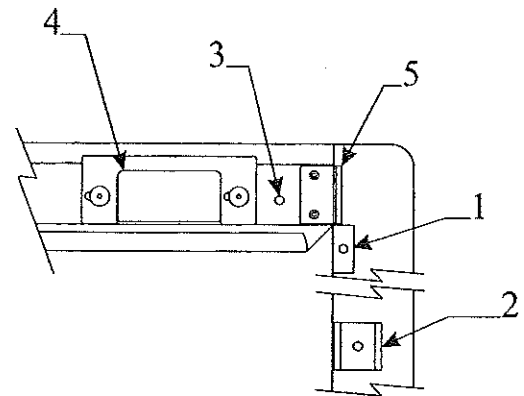


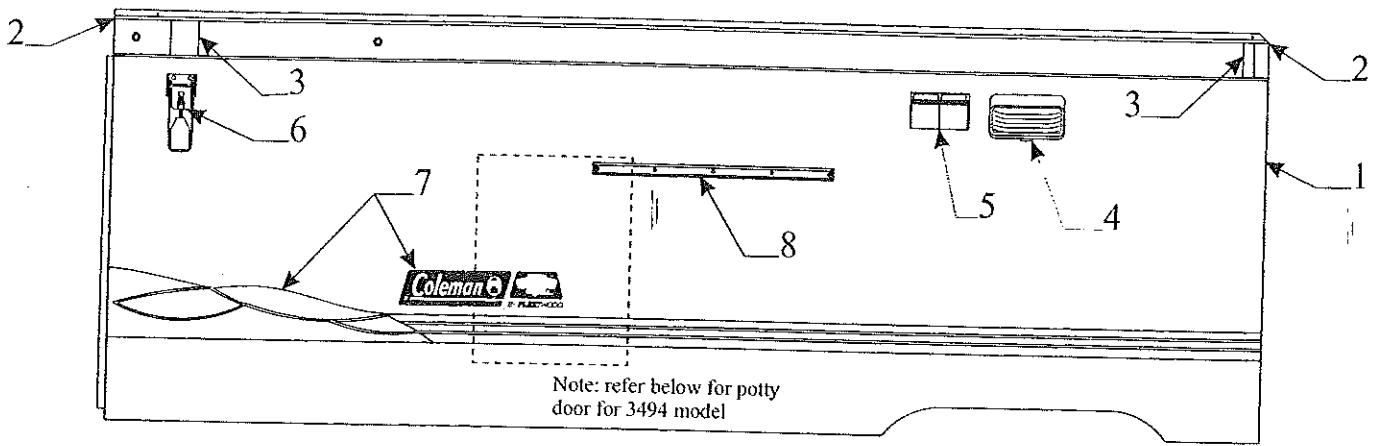


4754B6931 Access Door Assembly "complete" less trim tape FLAT RATE 1.25 complete door assembly

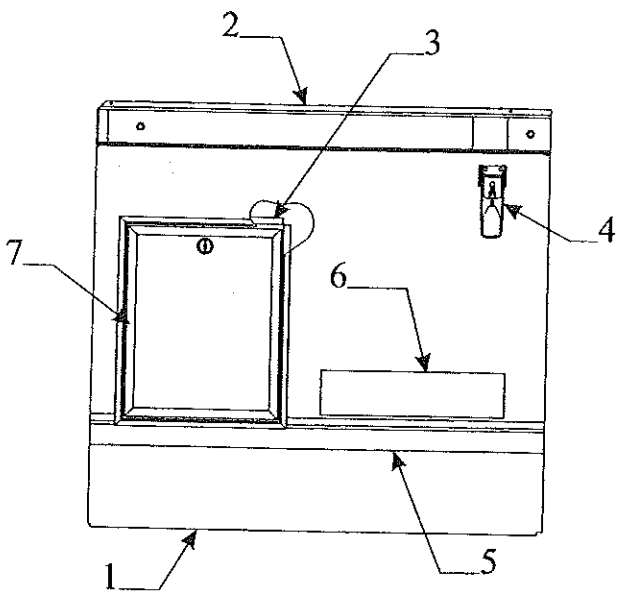
| Flat Rate | Code | Part # | Description | Flat Rate | Code | Part # | Description |
|-----------|------|-----------|------------------------------------|-----------|------|-------------|---------------------------------|
| 1.00 | 1 | 4754A4741 | door skin | | 8 | 1006B2428 | bolt x2 |
| | 2 | 4716A4971 | grand tour trim tape pkg. (3' pc.) | | | 1201B5188 | nut (to affix bolt to door) |
| | | 4716-2431 | gt elite trim tape pkg. (3' pc.) | | | 1201B6448 | nut (affix door to to trailer) |
| 1.00 | 3 | 4730C3111 | lock handle (with key) | | | 1202B0468 | washer m10 |
| | | 4716-056 | screw x2 | .10 | 9 | 4747A2521 | latch angle w/rivets |
| | | 1201B6958 | keps nut x2 | | 10 | 4747F4141 | crank handle |
| 1.00 | 4 | 4741-1438 | reinforcement plate | .20 | 11 | 4060025006P | foam tape pkg. (4' pc.) |
| .25 | 5 | 4731M2331 | access door cap | 1.00 | 12 | 4754A4751 | step covering |
| | | 1203-8641 | rivet m25 | 1.00 | 13 | 4741A6551 | lock bar assembly |
| .15 | 6 | 4744-6981 | swing arm pkg. (w/rivet & washer) | .25 | 14 | 4754-6921 | lower dr. w/hinges - less lock |
| | | 1203C8721 | rivet m25 | | | 1203-8951 | rivet m25 (affix door in place) |
| | | 1202B0468 | washer m10 | .25 | 15 | 4751C8301 | lock assembly w/o-ring |
| | 7 | 4733G0601 | rivet "blk" m25 | | | | |

| Flat Rate | Code | Part # | Description |
|-----------|------|-------------|--------------------------------|
| .15 | 1 | 4754-8491 | plastic bed rest & screw |
| .15 | 2 | 4754-8921 | plastic bed ramp & screw |
| | 3 | 4741A9101 | hex head tek screw m10 |
| .25 | 4 | 4734H4111 | lift trim m4 |
| | | 4753A3941 | rubber gasket m4 |
| | | 1203-8831 | rivet m25 |
| | | 4350000082P | 1/4" x 1/4" foam tape (4' pc.) |
| .15 | 5 | 4757-3441 | body rail end cap pkg. Rt./Lt. |
| | | 1203-8651 | rivet m25 |



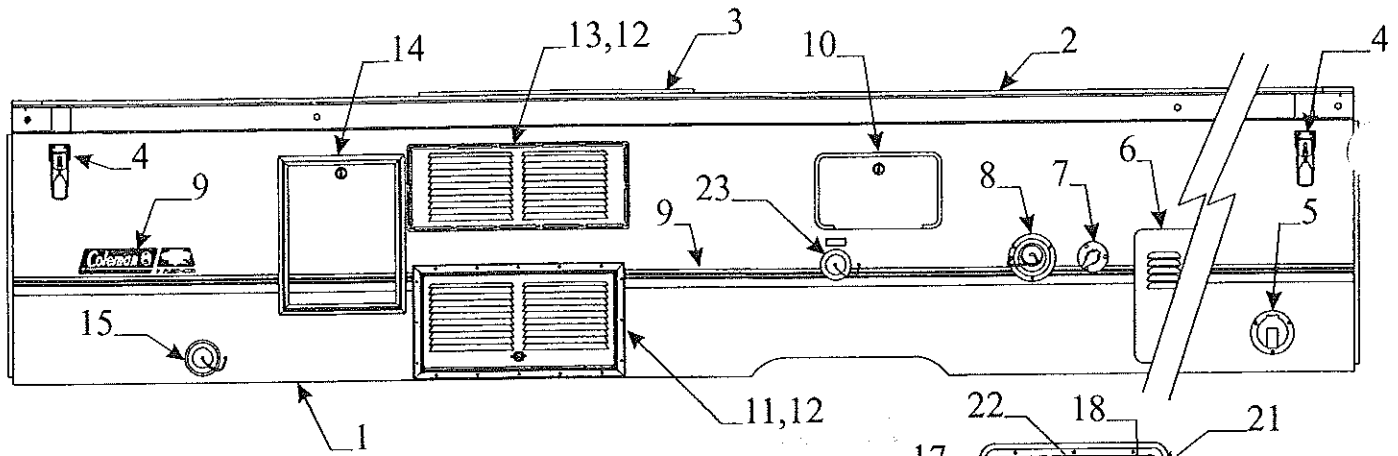


| Curbside Rear Body Panel Components | | | | Curbside Front Body Panel Components | | | |
|-------------------------------------|------|-------------|--------------------------------|--------------------------------------|------|-----------|-------------------------------|
| Flat Rate | Code | Part # | Description | Flat Rate | Code | Part # | Description |
| 1.00 | 1 | 4754C0151 | csr body panel 3488,89 | .25 | 5 | 4746A3861 | duplex cover & outlet |
| .85 | | 4756-4361 | csr body panel 3451,81,78,95 | .35 | | 4746-3871 | duplex box |
| 1.00 | | 4754E2131 | csr body panel 3491 | | | 1203-8678 | rivet m25 (rivet box to pnl.) |
| 1.00 | | 4757-2441 | csr body panel 3494 | .15 | 6 | 4741C6041 | top latch (w/o lock tab) |
| 1.00 | | 4754G1601 | csr body panel 3496 | | | 4749-4848 | foam pad |
| 1.00 | 2 | 4754E0991 | csr body rail 3488,89 | | | 4741A9101 | tek screw m10 |
| 1.00 | | 4756-4331 | csr body rail 3451,78,81,94,95 | .50 | 7 | 4716M2101 | GT trim tape & hardware kit |
| 1.00 | | 4754C2241 | csr body rail 3491 | .50 | | 4716-2441 | GTE trim tape & hardware kit |
| 1.00 | | 4754D1561 | csr body rail 3496 | .25 | 8 | 4750A8481 | stove support brkt. |
| .10 | 3 | 4723A8071 | velcro hook 2x2 m4 | | | 4745-3968 | screw |
| .10 | | 4350000005F | 3/4" velcro hook (sold/yard) | | | 4744C2461 | torx screw m2 |
| .25 | 4 | 4752-9921 | porch light | | | 1201B6958 | nut x2 |
| .10 | | 4716-5511 | porch light lens | | | | |



| | | | |
|-----|---|-------------|-------------------------------|
| .50 | 7 | 4716-1831 | potty door & frame 3495,94 |
| | | 4350000028P | 3/4" butyl tape pkg. (6' pc.) |
| | | 4060000029P | black d-seal pkg. (6' pc.) |
| .15 | | 4754-4911 | lock & o-ring |

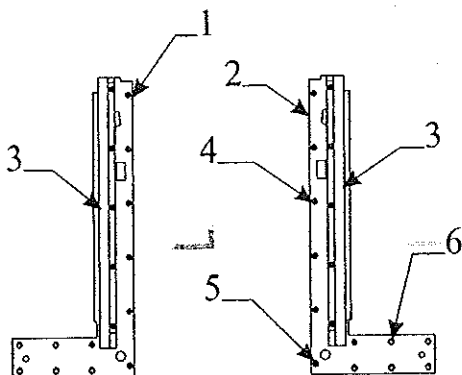
| Curbside Front Body Panel Components | | | |
|--------------------------------------|------|---|-----------------------------|
| Flat Rate | Code | Part # | Description |
| .85 | 1 | 4754-8501 | csf body panel 3488,89 |
| 1.00 | | 4756-4351 | csf body panel 3451,81,94 |
| .85 | | 4754B2121 | csf body panel 3491 |
| .85 | | 4754B1581 | csf body panel 3496 |
| 1.00 | | 4755G0431 | csf body panel 3495 |
| .85 | | 4755B3461 | csf body panel 3478 |
| 1.00 | 2 | 4754E0981 | csf body rail 3488,89 |
| 1.00 | | 4755A3501 | csf body rail 3451,81,94,95 |
| 1.00 | | 4755C3501 | csf body rail 3478 |
| 1.00 | | 4754C2231 | csf body rail 3491 |
| 1.00 | | 4754E1571 | csf body rail 3496 |
| | | Note: refer to code #3, above for velcro | |
| | 3 | 4746F5121 | shroud 3495 |
| .15 | 4 | 4715F5051 | top latch (w/lock tab) |
| | | Note: refer to code #6 above for hardware | |
| .75 | 5 | 4716M2101 | GT trim tape & hardware kit |
| .75 | | 4716-2441 | GTE trim tape & hware kit |
| .25 | 6 | 4754C3658 | Sea pine name decal 3488 |
| .25 | | 4749J4438 | Santa fe name decal 3489 |
| .25 | | 4755A4728 | Mesa name decal 3451 |
| .25 | | 4755A4738 | Utah name decal 3481 |
| .25 | | 4753D0708 | Sun Valley decal 3491 |
| .25 | | 4754C3808 | Westlake name decal 3494 |
| .25 | | 4751G0658 | Cheyenne name decal 3496 |
| .25 | | 4753D2348 | Niagara name decal 3495 |
| .25 | | 4756B3498 | Bayside name decal 3478 |



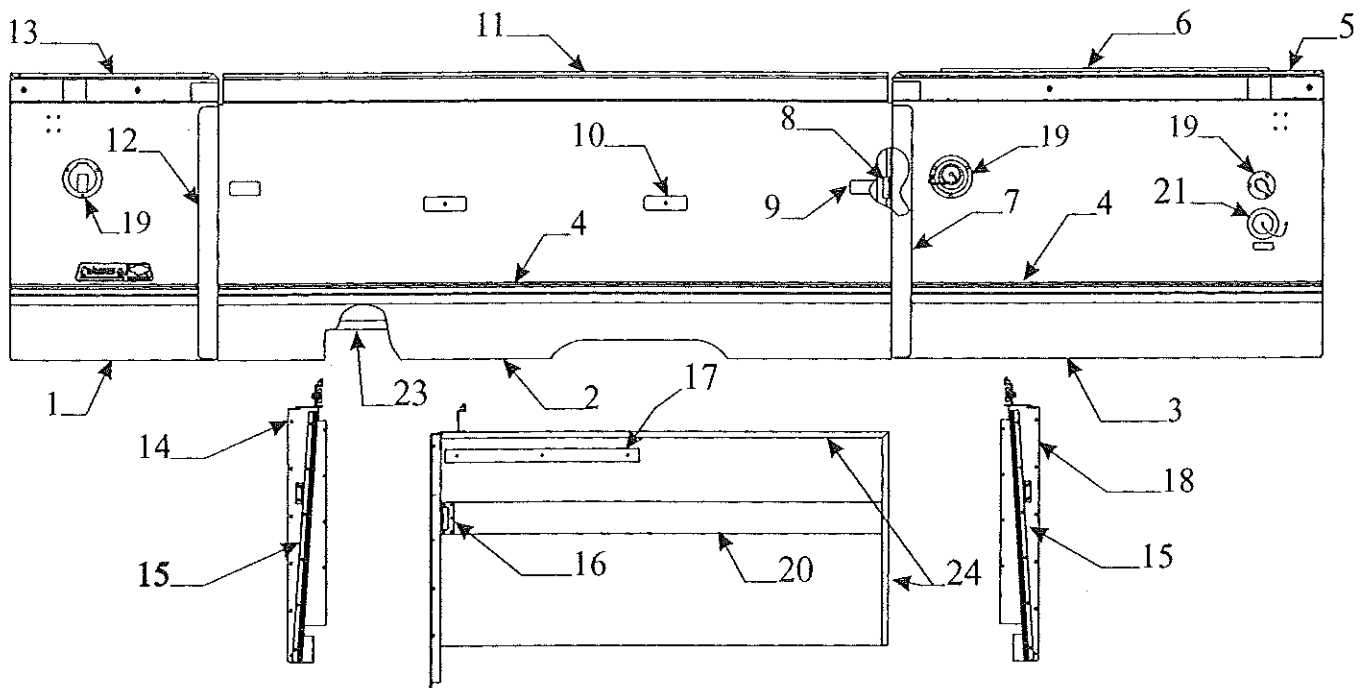
- * Add .50 with water heater
- * Add .75 for reefer vents
- * Add .50 for heater vent

** Shower box complete w/diverter,hose,head - from FFT only
Used on units after 11/30/99 - to purchase component parts
please call: **717/361-7703 Lasalle' Bristo**

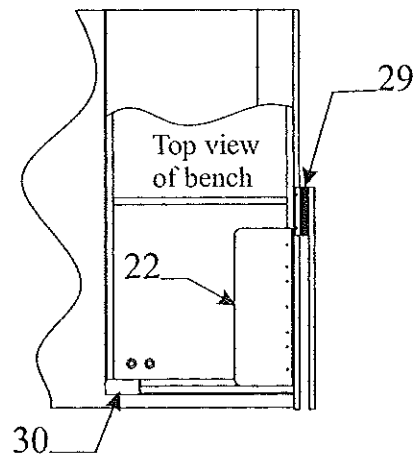
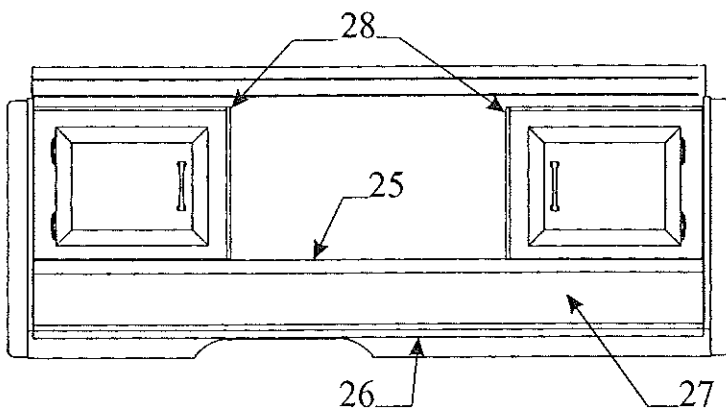
| Roadside Left Body Panel Components | | | | Access Door Bulkheads & Components | | | |
|-------------------------------------|------|------------|---------------------------------|------------------------------------|------|--|-------------------------------|
| Flat Rate | Code | Part # | Description | Flat Rate | Code | Part # | Description |
| 2.00* | 1 | 4754C3751 | rs body panel 3488 | .25 | 10 | 4750-2951 | o/s shower dr. & frame |
| 2.00* | | 4754F0181 | re body panel 3489 | .25 | ** | 4750A5861 | o/s shower complete |
| 2.00* | | 4756A4341 | rs body panel 3451 | .15 | | 4750A2961 | lock assy. w/key |
| 2.00* | | 4754G2141 | rs body panel 3491 | .25 | 11 | 4747C8331 | louvered door panel (refrig.) |
| 2.00* | | 4754F3791 | rs body panel 3494 | .25 | 12 | 4745A3961 | torx screw "white" m50 |
| 2.00* | | 4754F1591 | rs body panel 3496 | .25 | 13 | 4747C8321 | louvered panel (refrig.) |
| 3.00 | 2 | 4754F1001 | rs body rail 3488,89,96 | .25 | 14 | 4716-1831 | potty hatch door & frame |
| 3.00 | | 4754E2251 | rs body rail 3451,91,94 | | | 4746F5121 | shroud (between pnl. & wall) |
| | | 4757-0731 | wire grommet & nut | | | 4350000028P | 3/4" butyl tape pkg. (6' pc.) |
| | | 4733D0601 | rivet m25 | .15 | | 4060000029P | d-seal pkg. (6' pc.) |
| | | 4723A8071 | velcro hook 2x2 m4 | .15 | | 4754-4911 | lock & o-ring |
| .25 | 3 | 4737D2231 | curtain track | .15 | | 4754-4941 | hatch door hinge x2 |
| | | 1203-8678 | rivet m25 (rivet track to rail) | | | 1203-8631 | rivet m25 (x3 per hinge) |
| .15 | 4 | 4741C6041 | top latch | | 15 | Note: refer to page 24 code # 17 for this item | |
| | | 4749-4848 | foam pad | .50 | 16 | 4741B2071 | shower diverter |
| | | 4741A9101 | tek screw m10 | .10 | 17 | 4716-0848 | shower hose connector |
| .15 | 5 | 4733B23361 | cable hatch | .15 | 18 | 4750-1761 | shower head bracket |
| | | 4741-3508 | hex head tex screw x3 | .20 | 19 | 4741B2051 | shower hose |
| .25 | 6 | 4716-1331 | water heater door | .15 | 20 | 4746A3761 | shower head |
| .30 | 7 | 4732F1521 | city fill | .25 | 21 | 4741D96568 | expansion rivet m25 |
| | | 4741-3508 | hex head tex screw x3 | | 22 | 4750-3331 | auxiliary shower box |
| .30 | 8 | 4731D1711 | water tank fill spout | | 23 | 4714A2861 | drain cap & strap |
| .75 | 9 | 4716M2111 | GT trim tape & hardware kit | | | | |
| .75 | | 4716-2451 | GTE trim tape & hardware kit | | | | |

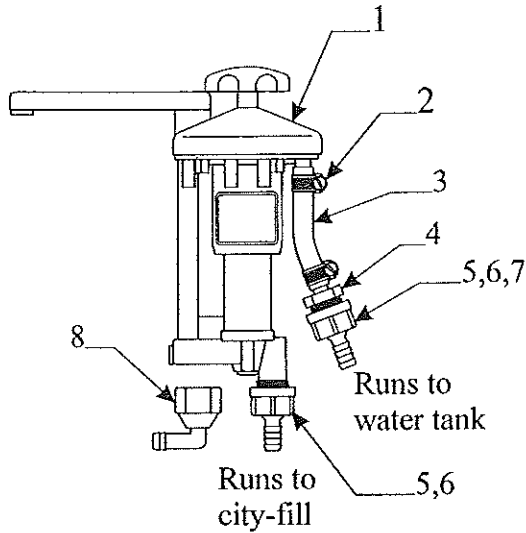


| Access Door Bulkheads & Components | | | |
|------------------------------------|------|-----------|------------------------|
| Flat Rate | Code | Part # | Description |
| 1.25 | 1 | 4754-6961 | csf bulkhead (all) |
| 1.25 | 2 | 4754-6951 | csr bulkhead (all) |
| .35 | 3 | 4745B0811 | rubber door seal |
| | 4 | 1203-8641 | rivet m25 |
| | 5 | 1203-8978 | countersunk rivet m25 |
| | 6 | 4744A0501 | hex head tek screw m25 |



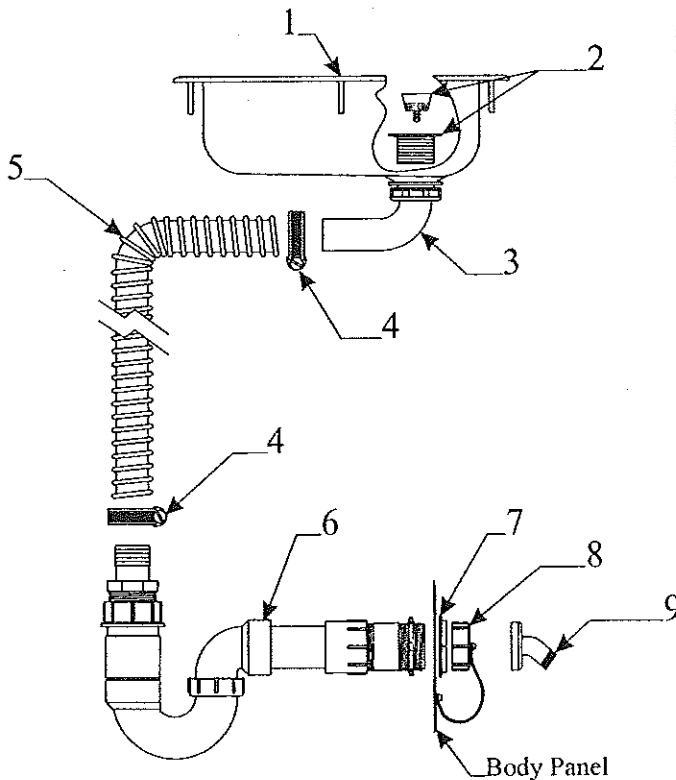
| Flat Rate | Code | Part # | Description | Flat Rate | Code | Part # | Description |
|-----------|------|-------------|---|-----------|------|-------------|--|
| 1.50 | 1 | 4756A3291 | left front body panel (all) | .25 | 12 | 4756B3351 | angle seal "front" (all) |
| 1.00 | 2 | 4757A5411 | glide-out body panel 3481,78,95 | 1.00 | 13 | 4060000023P | d-seal pkg. "white" (5' pc.) |
| | | | Note: oss hole must be cut on models 3478,95 | 1.65 | 14 | 4755B3491 | left front body rail (all) |
| 1.50 | 3 | 4755B3441 | left rear body panel 3478 | .35 | 15 | 4757B5501 | bulkhead left front (all) |
| 1.50 | | 4757A0961 | left rear body panel 3495 | | | 4755-3911 | glide-out seal track (all) |
| 1.50 | | 4756B3281 | left rear body panel 3481 | | | 4064700589P | side seal "black" pkg. (8' pc.) |
| .75 | 4 | 4716M2111 | trim tape & hardware kit 3481 | .15 | 16 | 4756-2171 | lock boot w/cover plate |
| .75 | | 4716-2451 | trim tape & h/ware kit 3478,95 | .25 | 17 | 4754-3811 | vel-stick (must cut to size) |
| 1.00 | 5 | 4756A3221 | left rear body rail (all) | 1.65 | 18 | 4757B5511 | bulkhead left rear (all) |
| .25 | 6 | 4757-0731 | wire grommet & nut | | 19 | | Note: refer to page 12 for this item |
| .25 | | 4737D2231 | curtain track | .50 | 20 | 4756-8471 | ABS ware strip x2 |
| | | 1203-8678 | rivet m25 (rivet track to rail) | | 21 | | Note: refer to page 14 for this item |
| .25 | 7 | 4756B3361 | angle seal "rear" (all) | .40 | 22 | 4756-6131 | metal flip-up backrest x2 |
| | | 4060000023P | d-seal pkg. "white" (5' pc.) | .20 | 23 | 4756-2651 | 3/4" white L- channel 48" pc. |
| .15 | 8 | 4756-1501 | strike | .20 | 24 | 4756A1461 | oak trim U-channel 48" pc. |
| | | 4756-3251 | shim | .50 | 25 | 4757A2161 | alum. Edge cap "painted oak" |
| .75 | 9 | 4755-4091 | latch & gasket | .50 | 26 | 4757-2351 | floor sweep |
| .75 | 10 | 4756-1181 | pull handle | .25 | 27 | 4756A6041 | wood kick plate assy. |
| | | 4738-2608 | tek screw "black" | | 28 | | Note: Refer to page 26 for bench components |
| .75 | 11 | 4756B1291 | glide-out body rail (all) | .10 | 29 | 4756-1151 | 5 1/2" brush seal |
| | | | | | 30 | 4756-8731 | platic seat frame corner |



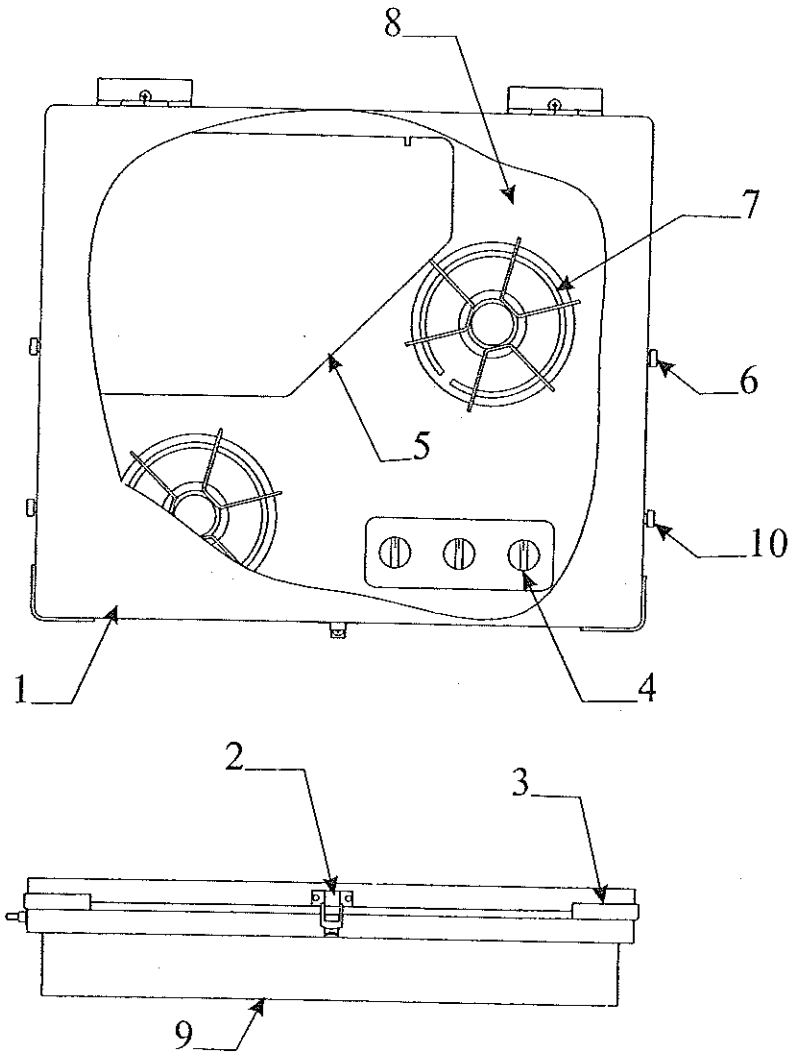


| Hand pump & related parts | | | |
|---------------------------|------|-----------|----------------------------|
| Flat Rate | Code | Part # | Description |
| .40 | 1 | 4734D0161 | hand pump |
| | | 4716-081 | screw x4 |
| | 2 | 4731-3058 | adjustable hose clamp |
| .35 | 3 | 4714-038 | 3/8" h.p. Hose (sold/foot) |
| .20 | 4 | 4732-4561 | male adapter |
| .20 | 5 | 4741-9568 | barbed adapter |
| .20 | 6 | 1202-5828 | rubber washer |
| .20 | 7 | 4754-4418 | round filter screen |
| .20 | 8 | 4741-2351 | street elbow |

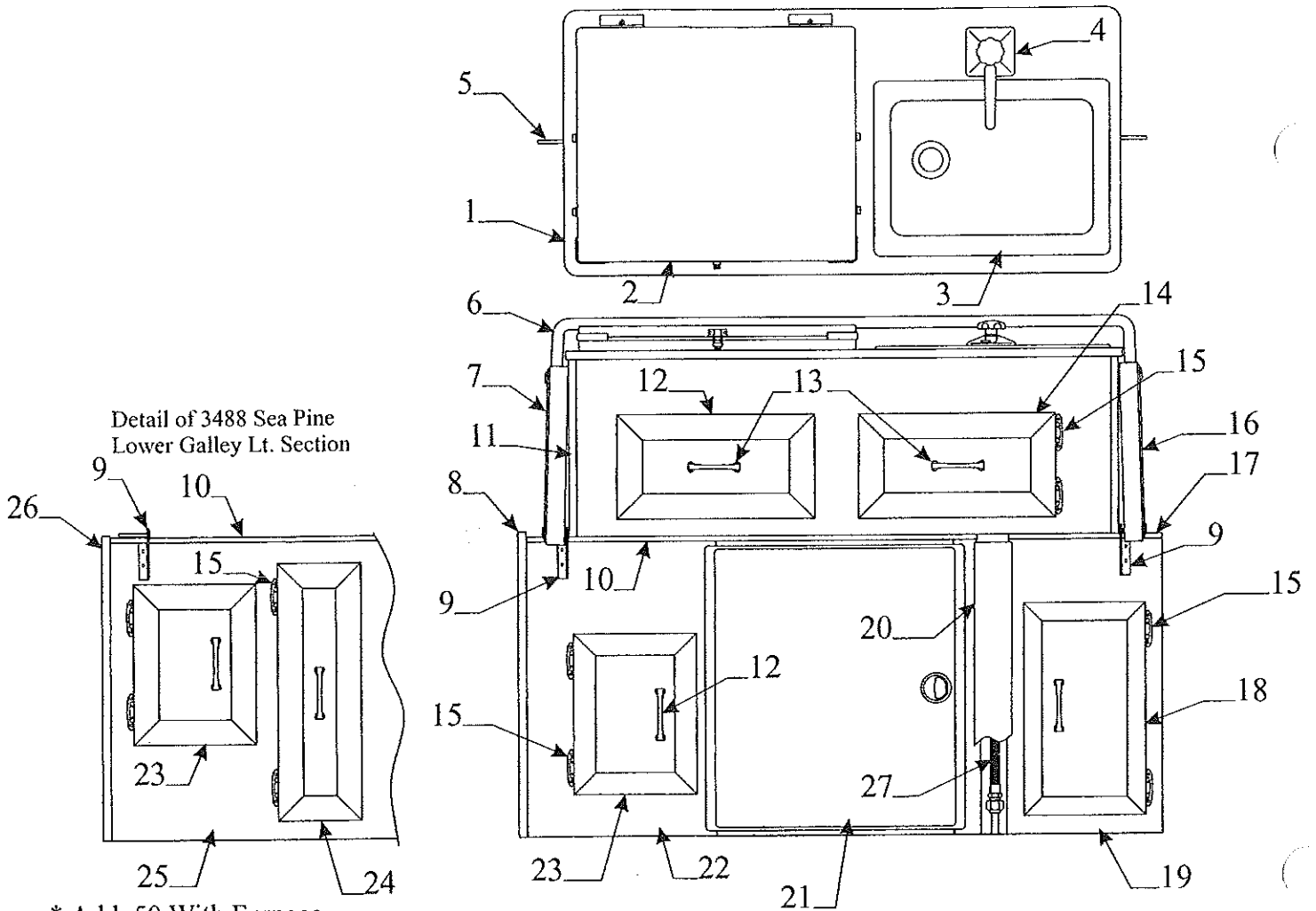
TO ORDER REPAIR PARTS
 FOR MODEL # 150-000-00 SHURFLO PUMP
 CALL: 1/800-854-3218 GARDEN GROVE, CA..
 CALL: 1/800-762-8094 ELKHART, IN.



| Sink & Component parts | | | |
|------------------------|------|--------------------------------------|-----------------------------------|
| Flat Rate | Code | Part # | Description |
| .30 | 1 | 4710F0301 | sink "stainless" |
| .80 | | 4745B2801 | sink "porcelain" |
| .05 | 2 | 4714B0661 | crumb cup "only" |
| .25 | | 4730E3151 | crumb cup & basket |
| .40 | 3 | 4757-0861 | elbow ,nut & washer |
| .40 | | 4757-0831 | black rubber washer |
| .80 | 4 | 4715-4501 | 1 1/4" hose clamp |
| | 5 | 4060012503P | 1 1/4" drain hose pkg. (10' pc.) |
| | | Note: must cut hose to length | |
| .20 | 6 | 4758A5431 | drain trap assy (all except 3494) |
| | | 4758-5701 | drain trap assy. 3494 only |
| | 7 | 4757-0851 | nut |
| .10 | 8 | 4714A2861 | cap & strap |
| | 9 | 4737-9138 | drain adapter |

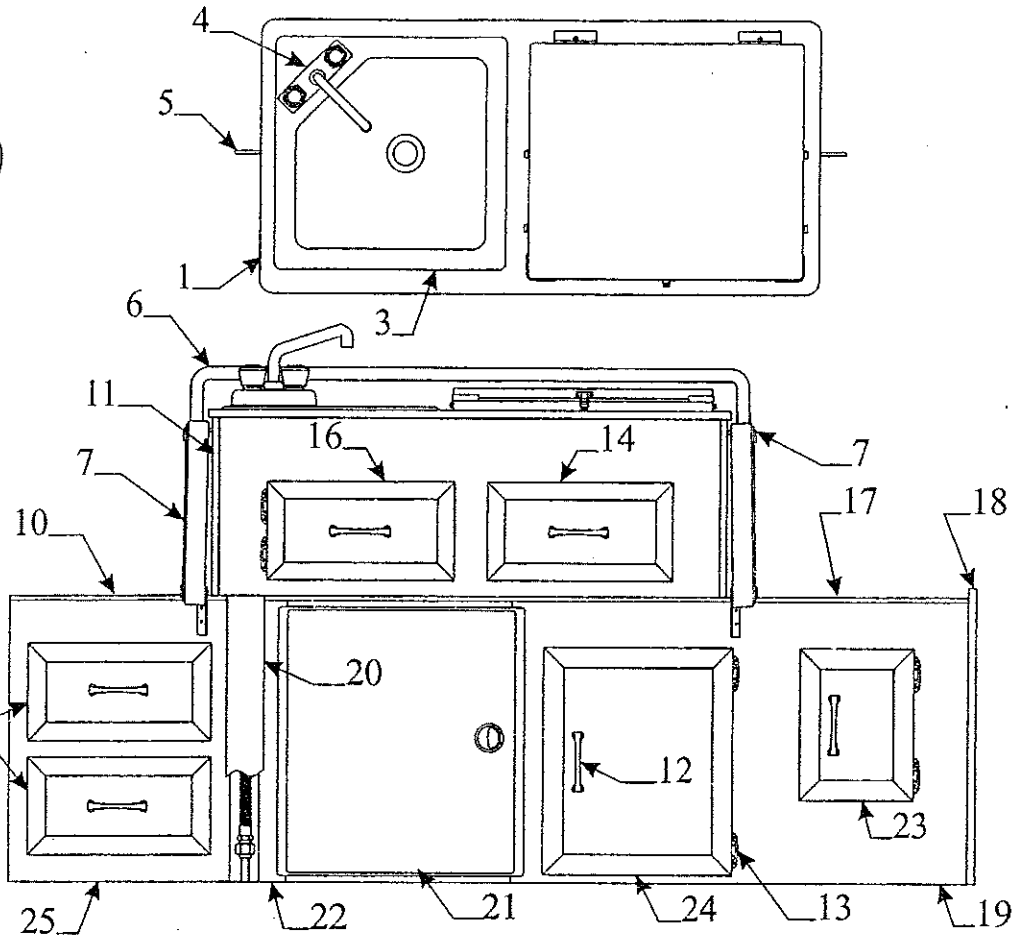
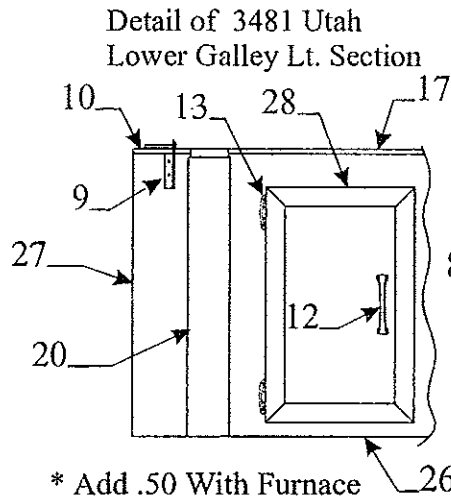
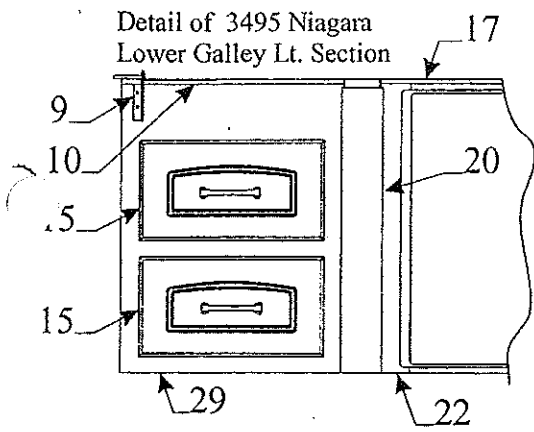


| Flat Rate | Code | Part # | Description |
|-----------|------|------------|------------------------------------|
| .15 | 1 | 4741F6261 | stove cover assy. 3489,51,91,96,78 |
| .15 | | 4741F62681 | stove cover assy. 3481,88,94,95 |
| .15 | 2 | 4733-4018 | stove cover latch |
| | | 1203-8558 | rivet m25 |
| .15 | | 4733-4028 | stove cover strike |
| | 3 | 4732A2291 | edge molding m2 |
| .05 | 4 | 4716-1861 | knob |
| .25 | 5 | 4741G4131 | stove fin |
| .25 | | 4741A4401 | hinge x2 |
| | | 1203-8558 | rivet m25 (rivet hinge to fin) |
| .05 | 6 | 4716A0881 | thumb screw m6 |
| .05 | 7 | 4716-1851 | stove grate x3 |
| .15 | 8 | 4746A8561 | 3 burner cook top "white" (all) |
| .75 | 9 | 4739G2931 | 3 burner stove box (all) |
| | 10 | 4746-8661 | plastic thumb screw & nut m6 |



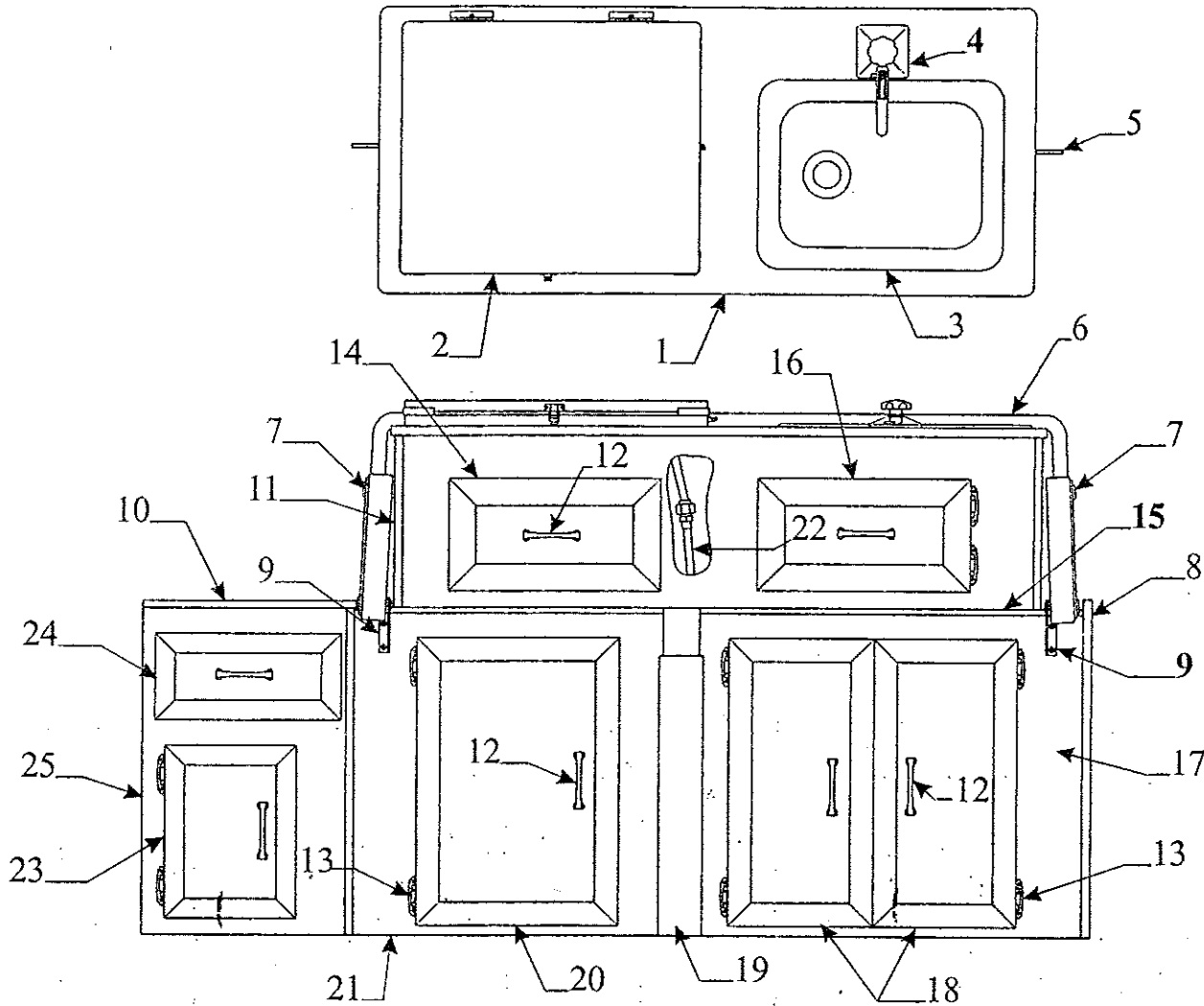
* Add .50 With Furnace

| Upper/Lower Galley Components - 3488,89,96 | | | | | | | |
|--|------|--|--------------------------------------|-----------|---|------------|-------------------------------|
| Flat Rate | Code | Part # | Description | Flat Rate | Code | Part # | Description |
| 1.00 | 1 | 4757C0461 | galley top w/o hot water 3488 | .65 | 11 | 4716C0151 | 3/8" f-channel 24" pc. |
| 1.25 | | 4752H9071 | galley top w/hot water 3488 | .25 | 12 | 4754F5301 | drawer assembly |
| 1.00 | | 4754D8241 | galley top w/o hot water 3489,96 | | | 4755-4481 | cutlery tray |
| 1.25 | | 4755D8141 | galley top w/hot water 3489,96 | | Note: refer to page 26 for drawer components | | |
| .30 | | 4060400090P | t-molding pkg. (14' pc.) | .10 | 13 | 4755A2681 | door pull w/screws |
| | 2 | Note: refer to page 15 for stove components | | .15 | 14 | 4758A6111 | door pnl. 15 5/16" x 7 3/4" |
| .30 | 3 | 4710F0301 | sink w/out hot water | | | 4755-4471 | spice rack (plastic) |
| .80 | | 4745B2801 | sink w/hot water | | | 4733-6391 | latch & strike pkg. |
| | | Note: refer to page 14 for sink components | | .10 | 15 | 4745C26188 | hinge (spring loaded) |
| .40 | 4 | 4734D0161 | hand pump | .15 | 16 | 4757A1951 | plastic chain cover (right) |
| | | 4716-081 | screw x4 | 1.00 | 17 | *4754-8381 | lower galley top rt. 3489,96 |
| 1.00 | | 4745E2741 | mixer faucet w/hot water | 1.00 | | *4756-0401 | lower galley top rt. 3488 |
| | | Note: refer to page 14 for pump components | | .15 | 18 | 4756A5361 | door pnl. 16" x 9 1/8" |
| .75 | 5 | 4756A6631 | upper galley pivot brkt. (lt. & rt.) | 1.00 | 19 | *4754A8401 | lower galley frt. rt. 3489,96 |
| | | 4734E1861 | rivet "elm" m25 | 1.00 | | *4756A0361 | lower galley frt. rt. 3488 |
| 1.00 | 6 | 4756E1511 | galley lift bar (all) | .25 | 20 | 4750E6731 | filler assembly (all) |
| | | 4744-6321 | chain assy x2 per bar | .50 | 21 | 4754A0481 | built-in cooler (all) |
| .15 | 7 | 4757A1941 | plastic chain cover (left) | .75 | 22 | *4754-8421 | lower galley frt. lt. 3489,96 |
| .75 | 8 | *4754D2611 | seat gazoodi 3489 | .15 | 23 | 4756A5161 | door pnl. 12" x 9 1/8" |
| .75 | | *4754E0581 | seat gazoodi 3496 | .15 | 24 | 4757C5211 | door pnl. 16" x 6 1/4" |
| .60 | 9 | 4716-1821 | lower galley brkt.pkg. | .75 | 25 | *4756A0371 | lower galley frt. lt. 3488 |
| 1.00 | 10 | *4754B8391 | lower galley top lt. 3489,96 | .75 | 26 | *4754B3431 | seat gazoodi 3488 |
| 1.00 | | *4756A0391 | lower galley top lt. 3488 | .20 | 27 | 4753-5581 | flexible gas hose (all) |
| .20 | | 4746A0971 | kill switch m4 | | | | |



* Add .50 With Furnace

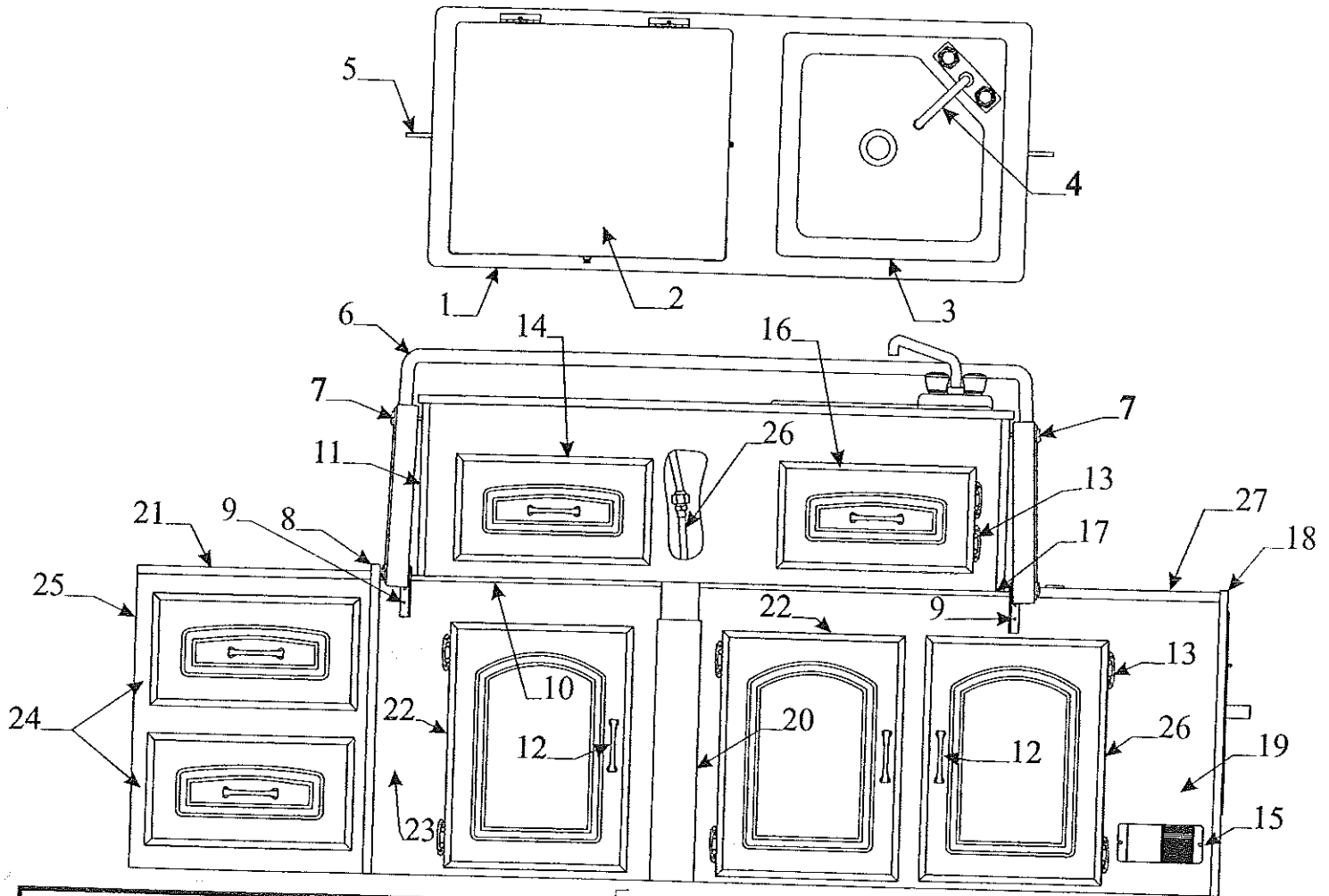
| Flat Rate | Upper/Lower Galley Components - 3481,3494,3495 | Code | Part # | Description |
|-----------|--|--|--------------------------------------|-------------|
| .25 | 15 | 4756B6371 | drawer assy. x2 3495 | |
| 1.25 | 1 | 4752H9071 | upper galley top (all) w/hot water | |
| 1.00 | | 4757C0461 | galley top 3481 w/out hot water | |
| .30 | | 4060400090P | t-molding pkg. (14' pc.) | |
| .80 | 2 | Note: refer to page 15 for stove components | | |
| .30 | 3 | 4745B2801 | sink w/hot water | |
| | | 4710F0301 | sink w/out hot water 3481 | |
| 1.00 | 4 | 4745E2741 | mixer faucet | |
| .40 | | 4734D0161 | hand pump | |
| .75 | 5 | 4756A6631 | upper galley pivot brkt. (lt. & rt.) | |
| 1.00 | 6 | 4734E1861 | rivet "elm" m25 | |
| | | 4744-6321 | chain assy x2 per bar | |
| .15 | 7 | 4757A1941 | plastic chain cover (left) | |
| .15 | | 4757A1951 | plastic chain cover (right) | |
| .25 | 8 | 4758-6501 | drawer assy. 3494 | |
| .60 | 9 | 4716-1821 | lower galley brkt.pkg. | |
| 1.00 | 10 | 4756C0541 | lower galley top lt. 3494 | |
| 1.00 | | 4756-9341 | lower galley top lt. 3495 | |
| 1.00 | | 4752C9231 | lower galley top lt. 3481 | |
| .20 | | 4746A0971 | kill switch m4 | |
| .65 | 11 | 4716C0151 | 3/8" f-channel 24" pc. | |
| .10 | 12 | 4755A2681 | door pull w/screws | |
| .10 | 13 | 4745C26188 | hinge (spring loaded) | |
| .25 | 14 | 4754F5301 | drawer assy. 3481,94 | |
| .25 | | 4758A6741 | drawer assy. 3495 | |
| | | 4755-4481 | cutlery tray (plastic) | |
| | | Note: refer to page 26 for drawer components | | |



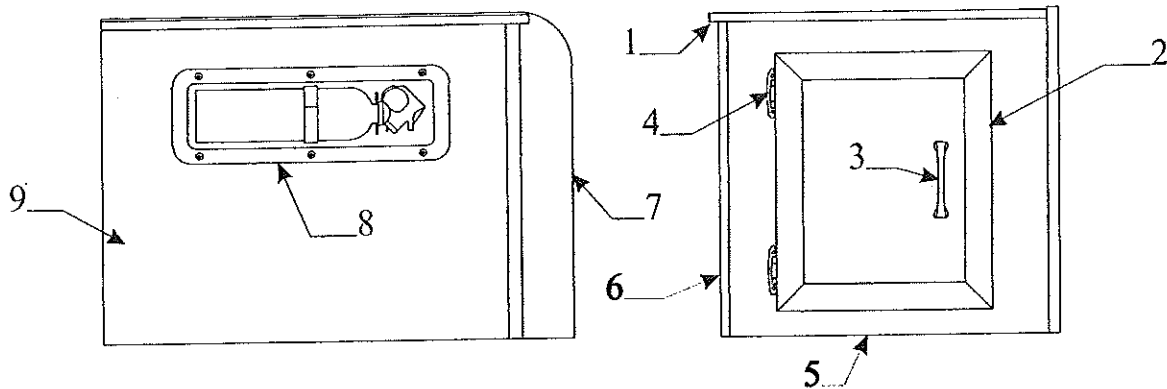
* Add .50 with furnace

| Flat Rate | Upper/Lower Galley Components - 3491 Sun Valley | Flat Rate | Code | Part # | Description |
|-----------|--|-----------|------|-------------|--|
| 1.25 | 1 4754E4271 upper galley top w/hot water | .65 | 11 | 4716C0151 | 3/8" f-channel 24"pc. |
| 1.00 | 4756C4401 galley top w/out hot water | .10 | 12 | 4755A2681 | door pull w/screws |
| .30 | 4060400090P t-molding pkg. (14' pc.) | .10 | 13 | 4745C26188 | hinge (spring loaded) |
| | Note: refer to page 15 for stove components | .25 | 14 | 4757D6221 | drawer assy. |
| .80 | 2 4745B2801 sink w/hot water | | | 4755-4481 | cutlery tray (plastic) |
| .30 | 4710F0301 sink w/out hot water | | | | Note: refer to page 26 for drawer components |
| | Note: refer to page 14 for sink component | 1.00 | 15 | 4755C1381 | lower galley top rt. |
| .40 | 4 4734D0161 hand pump | .20 | | 4746A0971 | kill switch m4 |
| 1.00 | 4745E2741 mixer faucet | .15 | 16 | 4758A6111 | door panel |
| | Note: refer to page 14 for pump components | | | 4755-4471 | spice rack (plastic) |
| .75 | 5 4752A9271 upper galley pivot brkt. (lt. & rt.) | | | 4733-6391 | latch & strike pkg. |
| | 4734E1861 rivet "elm" m25 | 1.00 | 17 | 4755B0711 | lower galley front rt. |
| 1.00 | 6 4756A4071 galley lift bar | .15 | 18 | 4757A6731 | door panel x2 |
| | 4757-6341 chain assy x2 per bar | .25 | 19 | 4750E6731 | filler assembly" |
| .15 | 7 4757-1911 plastic chain cover (left) | .15 | 20 | 4756A5141 | door panel |
| .15 | 4757-1921 plastic chain cover (right) | 1.00 | 21 | 4757C0061 | lower galley front lt. |
| .75 | 8 4755-2901 seat gazoodi | .45 | 22 | 4753-5581 | flexible gas hose 48" |
| .60 | 9 4716-1821 lower galley brkt. Pkg. | .15 | 23 | **4756A5161 | door assy. 12" x 9 1/8" |
| 1.00 | 10 4757C0051 lower galley top lt. | .25 | 24 | 4752G69381 | drawer assy. |
| | 4747-8941 black plastic cap m2 | .75 | *25 | 4756-8771 | Note: refer to page 26 for drawer components cabinet front |

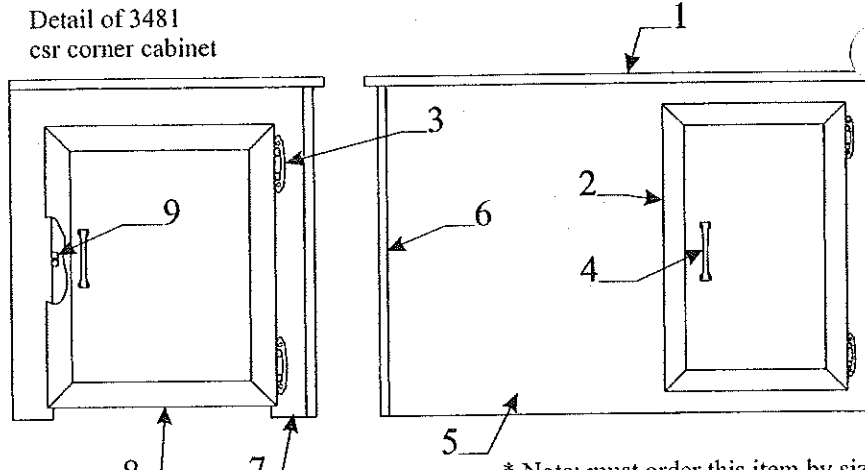
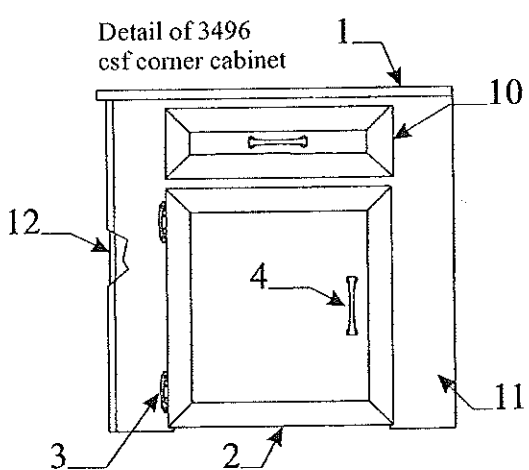
** REVISED 5/17/00



| Upper/Lower Galley Components - 3478,3451 | | | |
|---|------|---|--------------------------------------|
| Flat Rate | Code | Part # | Description |
| 1.25 | 1 | 4754E4271 | upper galley top (all) w/hot water |
| 1.00 | | 4756C4401 | galley top 3451 w/out hot water |
| .30 | | 4060400090P | t-molding pkg. (14' pc.) |
| | 2 | Note: refer to page 15 for stove components | |
| .80 | 3 | 4745B2801 | sink w/hot water |
| .30 | | 4710F0301 | sink w/out hot water 3451 |
| | | Note: refer to page 14 for sink components | |
| 1.00 | 4 | 4745E2741 | mixer faucet |
| .40 | | 4734D0161 | hand pump |
| | | Note: refer to page 14 for pump components | |
| .75 | 5 | 4752A9271 | upper galley pivot brkt. (lt. & rt.) |
| | | 4734E1861 | rivet "elm" m25 |
| 1.00 | 6 | 4756A4071 | galley lift bar (all) |
| | | 4757-6341 | chain assy x2 per bar |
| .15 | 7 | 4757-1911 | plastic chain cover (left) |
| .15 | | 4757-1921 | plastic chain cover (right) |
| .75 | 8 | 4755B1181 | seat gazoodi 3451 |
| .75 | | 4756A0011 | seat gazoodi 3478 |
| .60 | 9 | 4716-1821 | lower galley brkt.pkg. |
| 1.00 | 10 | 4752E9231 | lower galley top lt. 3478,51 |
| .20 | | 4746A0971 | kill switch m4 |
| .65 | 11 | 4716C0151 | 3/8" f-channel 24" pc. |
| .10 | 12 | 4755A2681 | door pull w/screws |
| .10 | 13 | 4745C26188 | hinge (spring loaded) |
| | 14 | 4756E6671 | drawer assy. 3478 |
| | | 4757D6221 | drawer assy. 3451 |
| | | 4755-4481 | cutlery tray (plastic) |
| | | Note: refer to page 26 for drawer components | |
| | 15 | 4753-9171 | lp gas detector |
| | 16 | 4756A9001 | door pnl. 3478 |
| | | 4758A6111 | door pnl. 3451 |
| | | 4755-4471 | spice rack (plastic) |
| | | 4733-6391 | latch & strike pkg. |
| | 17 | 4752F9081 | lower galley top rt. 3478 |
| | | 4754B9971 | lower galley top rt. 3451 |
| | | 4747-8941 | black plastic cap m2 |
| | 18 | 4756B3621 | gazoodi end 3478 |
| | | Note: refer to page 22 for fire extinguisher | |
| | 19 | 4752J9101 | lower galley fit. rt. 3478 |
| | | 4754C9981 | lower galley fit. rt. 3451 |
| | | 4750E6731 | filler assembly (all) |
| | 20 | 4757A0171 | cabinet top 3478 |
| | 21 | 4756-8941 | door pnl. x2 3478 |
| | 22 | 4757A6731 | door pnl. x3 3451 |
| | 23 | 4754B8341 | lower galley fit. lt. 3478 |
| | | 4757-0011 | lower galley fit. lt. 3451 |
| | 24 | 4756B6371 | drawer assy. x2 3478 |
| | 25 | 4756C3791 | cabinet front 3478 |
| | | 4756-8931 | door pnl. x1 3478 |
| | | 4757-2481 | lower galley top short 3478 |

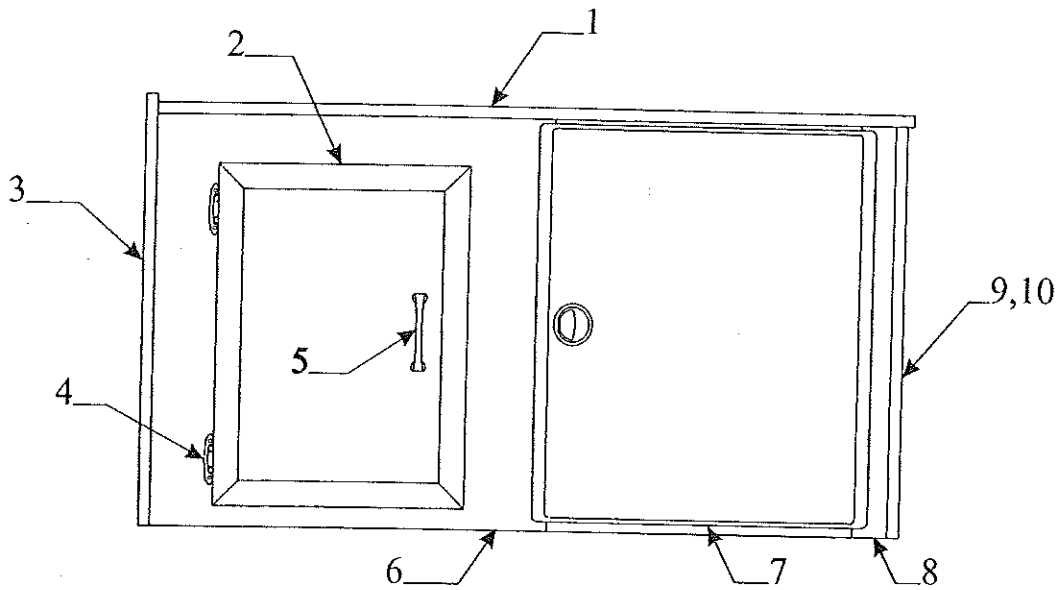


| Flat Rate | Code | Part # | Description | Flat Rate | Code | Part # | Description |
|-----------|------|-------------|-----------------------------|-----------|------|--|------------------------|
| .25 | 1 | 4754B3421 | cabinet top | .50 | 5 | 4754B3401 | cabinet front |
| .30 | | 4060400090P | t-molding pkg. (14' pc.) | .35 | 6 | 4716C0151 | 3/8" f-channel 24" pc. |
| .15 | 2 | 4756A6861 | door pnl. 15" x 15 1/4" | .75 | 7 | 4754B3771 | gazoodi |
| .10 | 3 | 4755A2681 | door pull (includes screws) | | 8 | Note refer to page 22 for fire extinguisher | |
| .10 | 4 | 4745C26188 | hinge (spring loaded) | .55 | 9 | 4754A3411 | cabinet side |

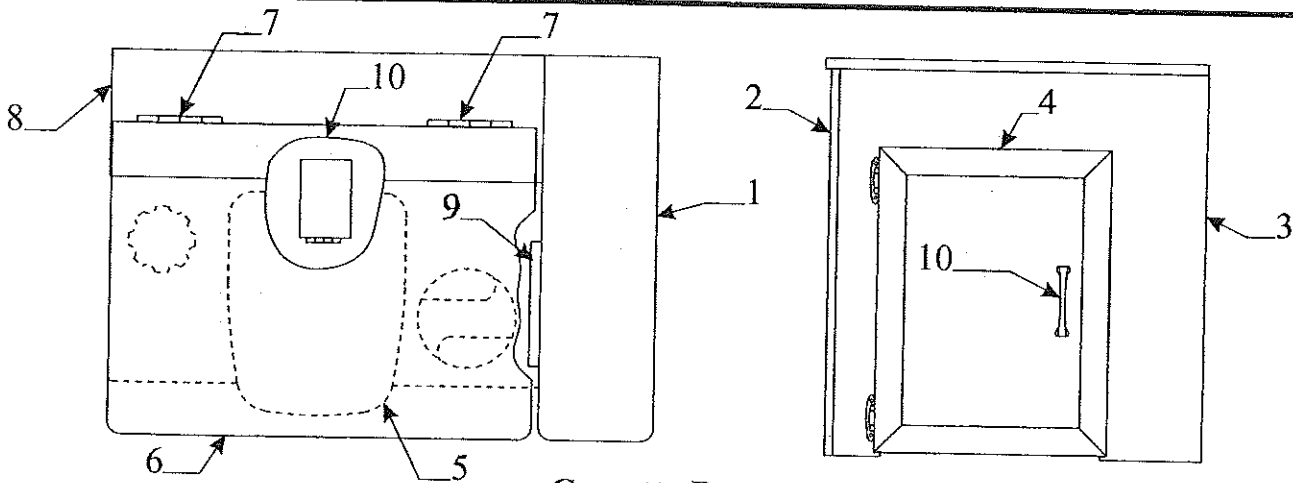


* Note: must order this item by size

| Flat Rate | Code | Part # | Description | Flat Rate | Code | Part # | Description |
|-----------|------|-------------|------------------------------|-----------|------|-----------|-----------------------------|
| .50 | 1 | 4756B4941 | cabinet top 3481 | .75 | 5 | 4756B4671 | cabinet front 3481,3489 |
| .50 | | 4756B4701 | cabinet top 3489 | .65 | 6 | 4716C0151 | 3/8" f-channel 24" pc. |
| .50 | | 4754B1831 | cabinet top 3496 | .50 | 7 | 4756B4691 | cabinet side 3481,89 |
| .30 | | 4060400090P | t-molding pkg. (14' pc.) | .15 | 8 | 4758A5211 | door pnl. 18 1/2" x 15 1/4" |
| .15 | 2 | 4758A5221 | door pnl. 18 1/2" x 11 3/4" | .15 | 9 | 4733-6391 | latch & strike |
| .15 | | 4756A6861 | door pnl. 15" x 15 1/4" 3496 | .10 | 10 | 4758A6101 | drawer assy. 3496 |
| .10 | 3 | 4745C26188 | hinge (spring loaded) | .50 | 11 | 4754A8211 | cabinet front 3496 |
| .10 | 4 | 4755A2681 | door pull w/screws | .30 | 12 | 4754C1841 | cabinet side 3496 |

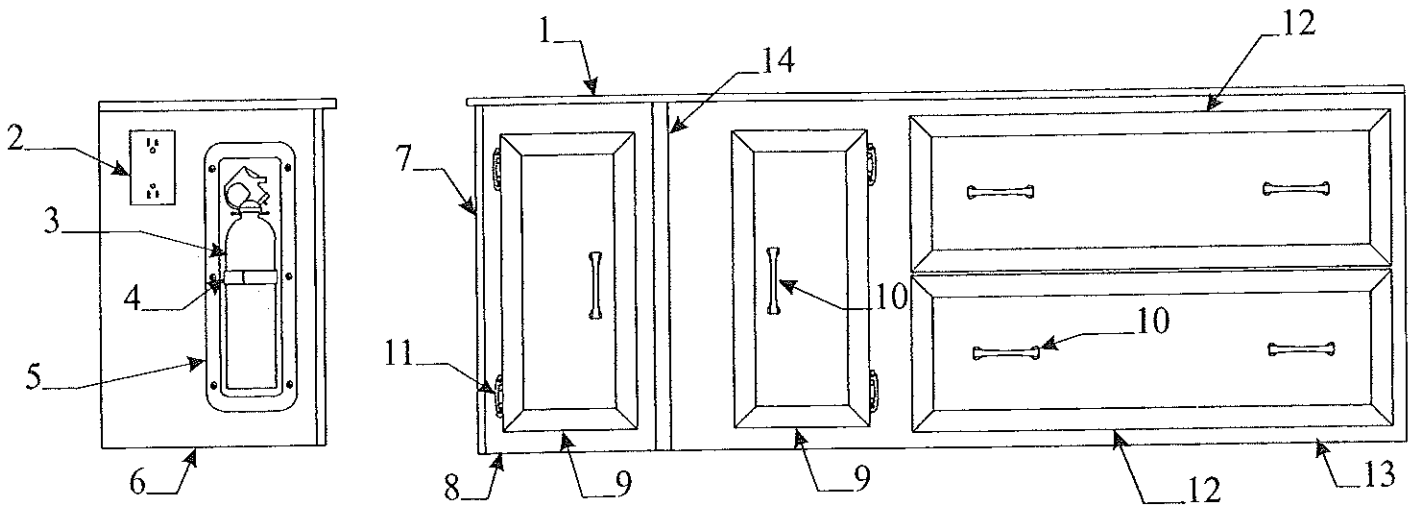


| Roadside Hutch Assy. 3491 Sun Valley | | | | | | | |
|--------------------------------------|------|-------------|---------------------------------|-----------|------|------------|--------------------|
| Flat Rate | Code | Part # | Description | Flat Rate | Code | Part # | Description |
| 1.50 | 1 | 4752D4601 | hutch top | .10 | 5 | 4755A2681 | door pull w/screws |
| .30 | | 4060400090P | t-molding pkg. (14' pc.) | .75 | 6 | *4752F4551 | hutch front lt. |
| .15 | 2 | 4756A5161 | door panel 12" x 9 1/8" | .50 | 7 | 4754A0481 | built-in cooler |
| .75 | 3 | 4755-2901 | gazoodi | .75 | 8 | 4752E4561 | hutch front rt. |
| .30 | | 4060400087P | lipped t-molding pkg. (12' pc.) | .65 | 9 | 4716C0151 | f-channel 24" pc. |
| .10 | 4 | 4745C26188 | hinge (spring loaded) | 1.25 | 10 | 4752D4571 | hutch side rt. |



**Cassette Potty - Warranty & Repair Parts through
Theftord Phone # 1-800/354-4135**

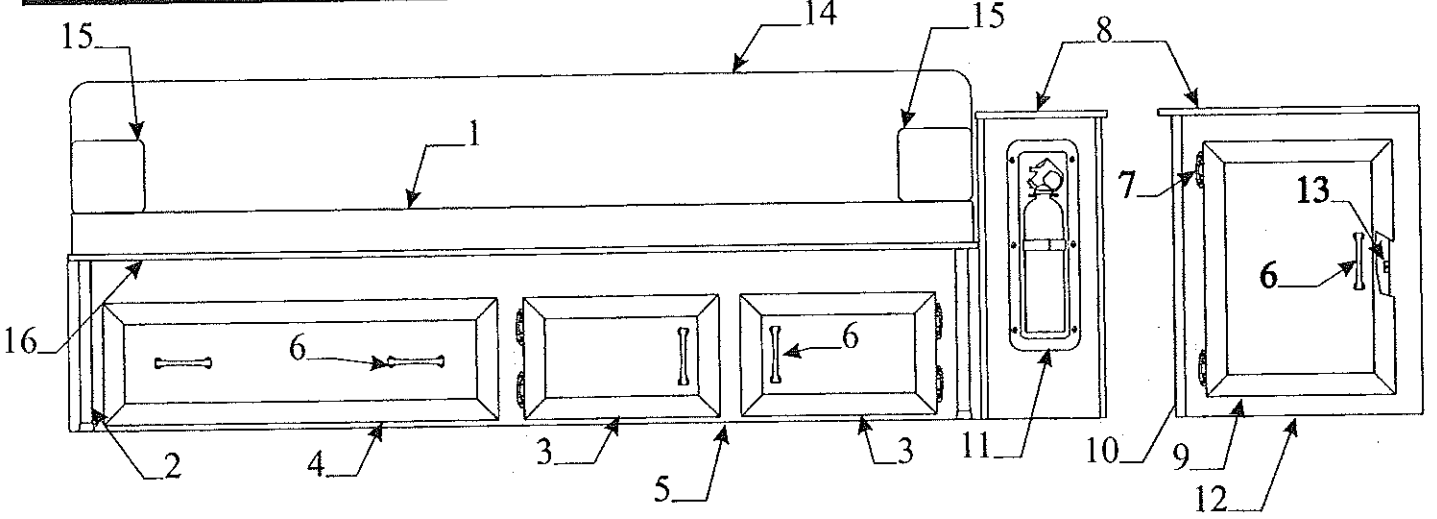
| Potty Cabinet 3481,3489 | | | | | | | |
|-------------------------|------|-------------|------------------------------|-----------|------|-----------|--------------------------|
| Flat Rate | Code | Part # | Description | Flat Rate | Code | Part # | Description |
| .25 | 1 | 4750C3871 | cabinet top 3481,89 | .75 | 5 | 4746C2461 | cassette potty 3489 |
| .30 | | 4060400090P | t-molding pkg. (14' pc.) | .75 | | 4756-2251 | cassette potty 3481 |
| .35 | 2 | 4716-1421 | 5/32" f-channel 24" pc. | .25 | 6 | 4754B4541 | flip-up lid |
| .40 | 3 | 4756A4991 | cabinet side 3481 | .20 | 7 | 4750-392 | lid hinge x2 |
| .40 | | 4751C9961 | cabinet side 3489 | .10 | 8 | 4750C3891 | wood filler |
| .15 | 4 | 4756A5141 | door panel 13 3/4" x 18 1/2" | .15 | 9 | 4750B391 | wood lid support rt./lt. |
| | | | | .15 | 10 | 4755-6911 | flip-up lid prop (metal) |

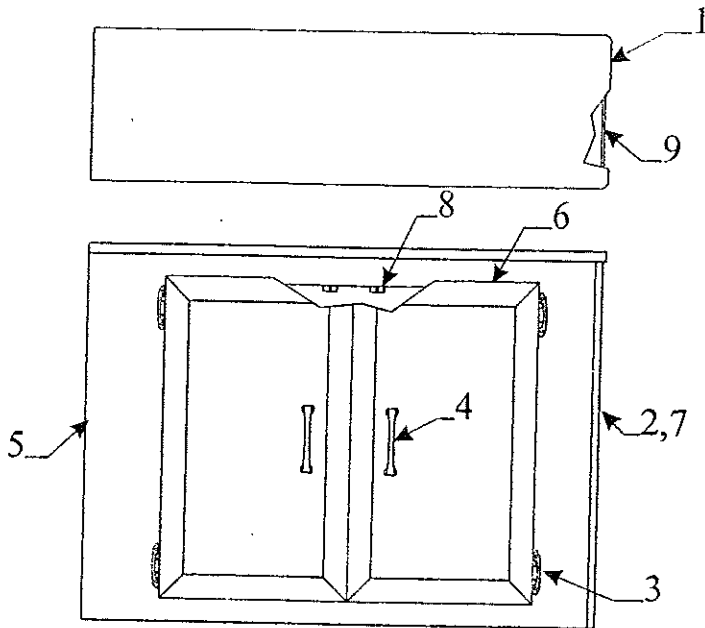


| Flat Rate | Code | Part # | Description | Flat Rate | Code | Part # | Description |
|-----------|------|-------------|---|-----------|------|------------|------------------------------|
| | | | Curbside Hutch Assy. 3489 Santa Fe | | | | |
| .75 | 1 | 4754C0511 | hutch top | .65 | 7 | 4716C0151 | 3/8" f-channel 24" pc. |
| .30 | | 4060462504P | t-molding pkg. (9' pc.) | .50 | 8 | 4754D0491 | hutch front "small" |
| .20 | 2 | 4752-2361 | 15 amp receptacle | .15 | 9 | 4758A5221 | door panel 11 3/4" x 18 1/2" |
| .10 | 3 | 4737A5558 | fire extinguisher | .10 | 10 | 4755A2681 | door pull (includes screws) |
| .05 | 4 | 4716-1191 | fire extinguisher strap m2 | .10 | 11 | 4745C26188 | hinge (spring loaded) |
| .15 | 5 | 4737B4198 | recessed mount | .10 | 12 | 4754C5291 | drawer assy. x2 |
| .55 | 6 | 4738-3088 | screw x6 | 1.25 | 13 | 4754D0551 | hutch front "large" |
| | | 4754B0521 | hutch side | 1.00 | 14 | 4754A054 | 3/8" h-channel |

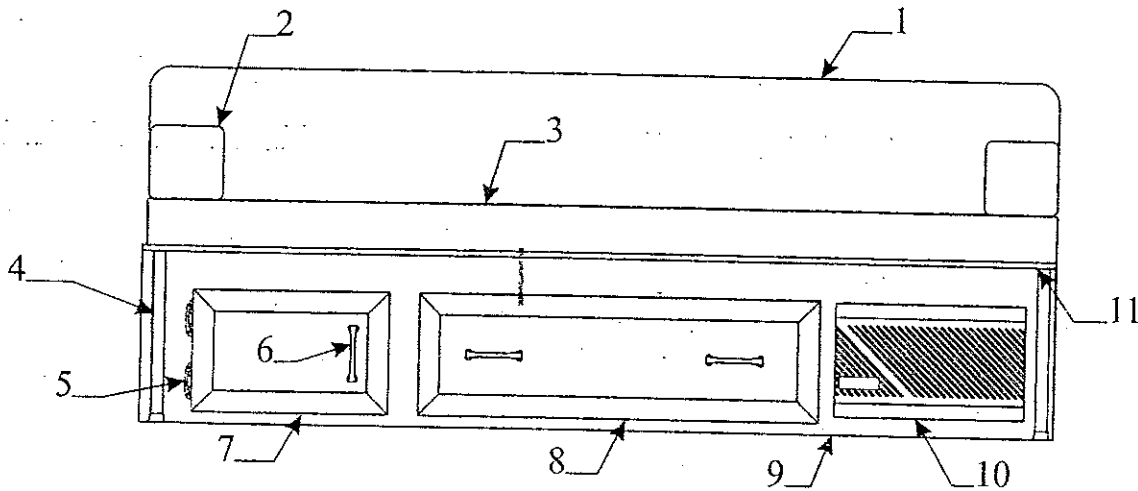
Note: refer to page 26 drawer components

| Flat Rate | Code | Part # | Description | Flat Rate | Code | Part # | Description |
|-----------|------|------------|---|-----------|------|-------------|--|
| | | | Curbside Hutch/Seat Assembly 3496,3481 | | | | |
| .10 | 1 | 4758-6191 | cushion assy. (all) | .25 | 8 | 4754B1631 | cabinet top 3496 |
| .25 | | 4716-6191 | cushion cover | .25 | | 4756A8241 | cabinet top 3481 |
| .25 | 2 | 4758-6151 | cushion leg x2 | .30 | | 4060462504P | t-molding pkg. (9' pc.) |
| .05 | | 4752-0551 | plastic cap m2 | .15 | 9 | 4758A5211 | door panel 18 1/2" x 15 1/4" |
| .15 | 3 | 4756A5301 | door panel 15" x 9 1/4" | .65 | 10 | 4716C0151 | 3/8" f-channel (24" pc.) |
| .10 | 4 | 4754C5541 | drawer assy. | | 11 | | Note: refer above for fire extinguisher |
| 1.25 | 5 | 4754F1641 | hutch front 3496 | .50 | 12 | 4754F1621 | cabinet side 3496,3481 |
| 1.25 | | 4756B8251 | hutch front 3481 | .15 | 13 | 4733-6391 | latch & strike pkg. |
| .10 | 6 | 4755A2681 | door pull (includes screws) | .10 | 14 | 4758-6201 | backrest assy. (all) |
| .10 | 7 | 4745C26188 | hinge (spring loaded) | .25 | | 4716-6201 | backrest cover |
| | | | | .10 | 15 | 4758-6211 | arm rest (all) |
| | | | | .25 | | 4716-6211 | arm rest cover |
| | | | | | 16 | 4755D5561 | pull-out platform w/legs |



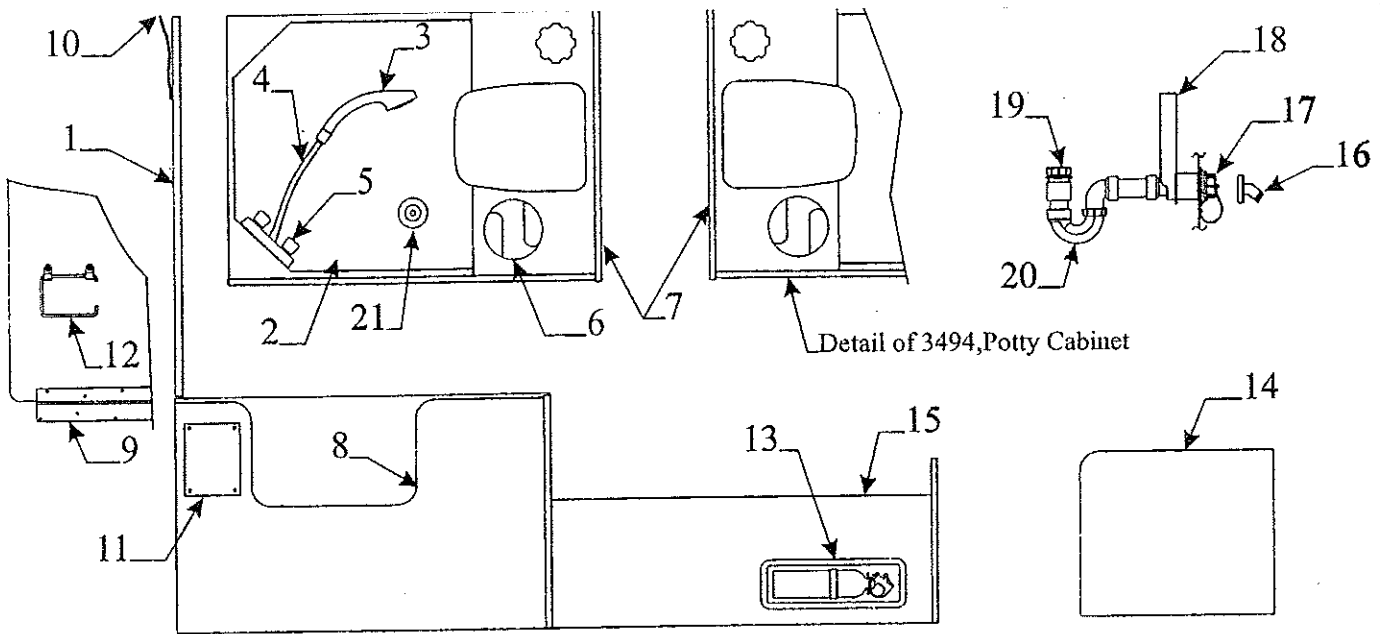


| Doorway Hutch Assembly, 3451,3491,3494 | | | |
|--|------|-------------|--|
| Flat Rate | Code | Part # | Description |
| .25 | 1 | 4756A4311 | cabinet top 3451,94 |
| .25 | | 4755A3851 | cabinet top 3491 |
| .30 | | 4060462504P | t-molding pkg. (9' pc.) |
| .35 | 2 | 4716C0151 | 3/8" f-channel 24" pc. |
| .10 | 3 | 4745C26188 | hinge (spring loaded) |
| .10 | 4 | 4755A2681 | door pull (includes screws) |
| .30 | 5 | 4752E4691 | cabinet side 3451,94 |
| .30 | | 4752F4691 | cabinet side 3491 |
| .15 | 6 | 4756A5141 | door assy. x2 (all) |
| | 7 | | Note: refer to page 22 for fire extinguisher latch & strike pkg. |
| .15 | 8 | 4733-6391 | |
| .30 | 9 | 4755B4571 | cabinet front 3451,94 |
| .30 | | 4752E4951 | cabinet front 3491 |



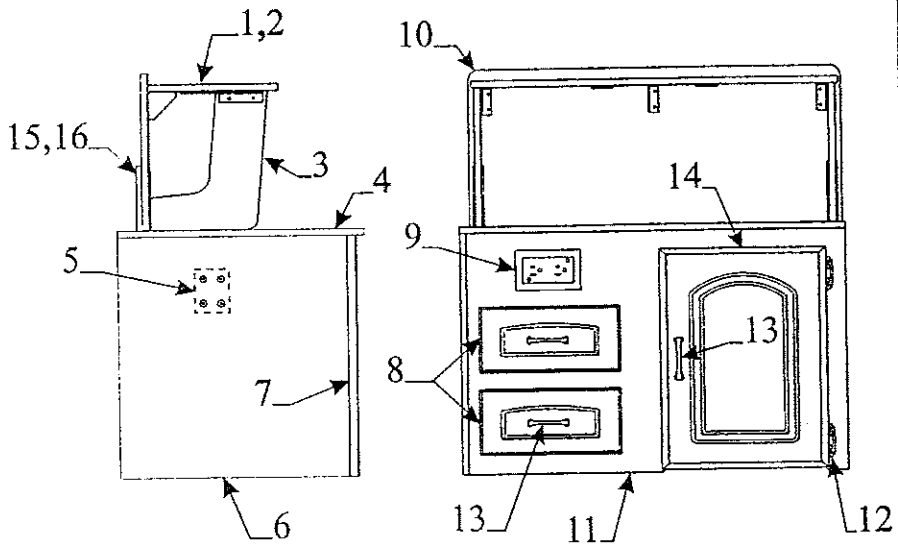
| Curbside Hutch/Seat Assembly 3494 Westlake | | | |
|--|------|------------|--|
| Flat Rate | Code | Part # | Description |
| .10 | 1 | 4758-6201 | backrest assy. |
| .25 | | 4716-6201 | backrest cover |
| .10 | 2 | 4758-6211 | arm rest |
| .25 | | 4716-6211 | arm rest cover |
| .10 | 3 | 4758-6191 | cushion assy. |
| .25 | | 4716-6191 | cushion cover |
| .25 | 4 | 4758-6151 | cushion leg x2 |
| .05 | | 4752-0551 | plastic cap m2 |
| .10 | 5 | 4745C26188 | hinge (spring loaded) |
| .10 | 6 | 4755A2681 | door pull (includes screws) |
| .15 | 7 | 4756A5301 | door panel 13 3/8" x 9 1/4" |
| .10 | 8 | 4754C5541 | drawer assy. |
| | | | Note: refer to page 26 for drawer components |
| 1.25 | 9 | 4757A2211 | hutch front |
| 1.00 | 10 | *4753B8201 | converter 20 amp |
| .25 | 11 | 4755D5561 | pull-out platform w/legs |

*REVISED: 4/12/00

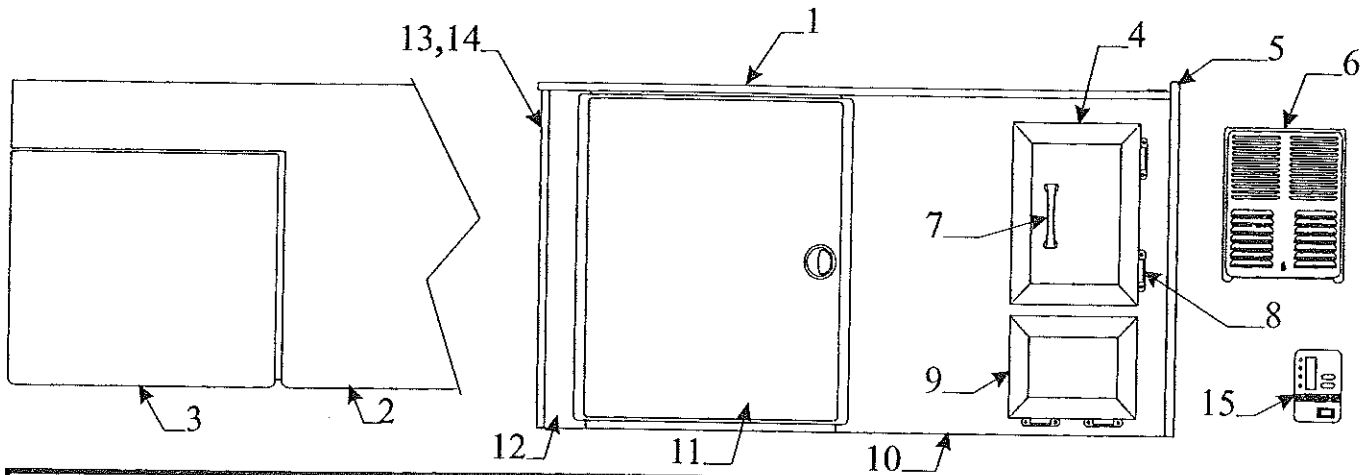


| Flat Rate | Code | Part # | Description | Flat Rate | Code | Part # | Description |
|-----------|------|-------------|-------------------------------|-----------|------|--|------------------------------|
| .40 | 1 | 4757A6841 | shower cover board 3495 | .15 | 10 | 4755A5681 | hold-up strap |
| .40 | | 4757A6711 | shower cover board 3494 | .25 | 11 | 4757-2171 | shower hose cover |
| 1.50 | 2 | 4757A6721 | shower pan & cabinet 3494 | .15 | 12 | 4756-9121 | TP holder |
| 1.50 | | 4754C6541 | shower pan & cabinet 3495 | | | 4747-2531 | 1/4" nylon clamp m2 |
| .15 | 3 | 4746A3761 | shower head w/bracket | .30 | 13 | Note: refer to page 22 for fire extinguisher | |
| .20 | 4 | 4741B2051 | shower hose (72" length) | .30 | 14 | 4756-4921 | seat end 3495 |
| .50 | 5 | 4741B2071 | shower diverter | .30 | | 4060450002P | 1/2" t-molding pkg. (7' pc.) |
| .10 | | 4716-0848 | shower hose connector | .15 | 15 | 4756A4901 | seat front 3495 |
| .75 | 6 | 4756-2251 | cassette potty 3495 | .15 | 16 | 4737-9138 | drain adapter |
| .75 | | 4746C2461 | cassette potty 3494 | .10 | 17 | 4714A2861 | cap & strap |
| .75 | 7 | 4754B3861 | shower wall (all) | .15 | | 4749-4131 | shower drain gasket |
| .30 | | 4060400087P | 5/8" t-molding pkg. (12" pc.) | 1.00 | 18 | 4741B9301 | vent system |
| 1.50 | 8 | 4756D2531 | shower threshold 3495 | .50 | 19 | 4741A9331 | trap adapter |
| 1.50 | | 4756B4621 | shower threshold 3494 | .50 | | 4752-3631 | rubber washer |
| .25 | 9 | 4756-4441 | shower board hinge | .40 | 20 | 4752-3621 | p-trap w/union joint |
| | | | | .50 | 21 | 4746A1821 | basket & strainer |
| | | | | | 22 | 4741D6361 | tub package. |

Package includes: shower head,hose,head bracket,drain adapter

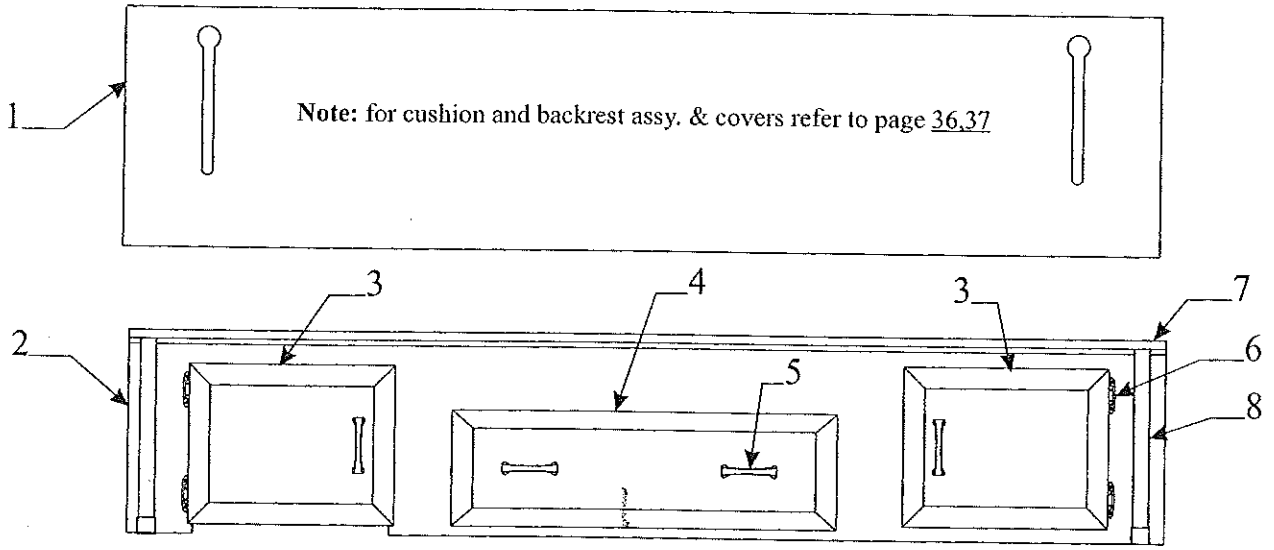


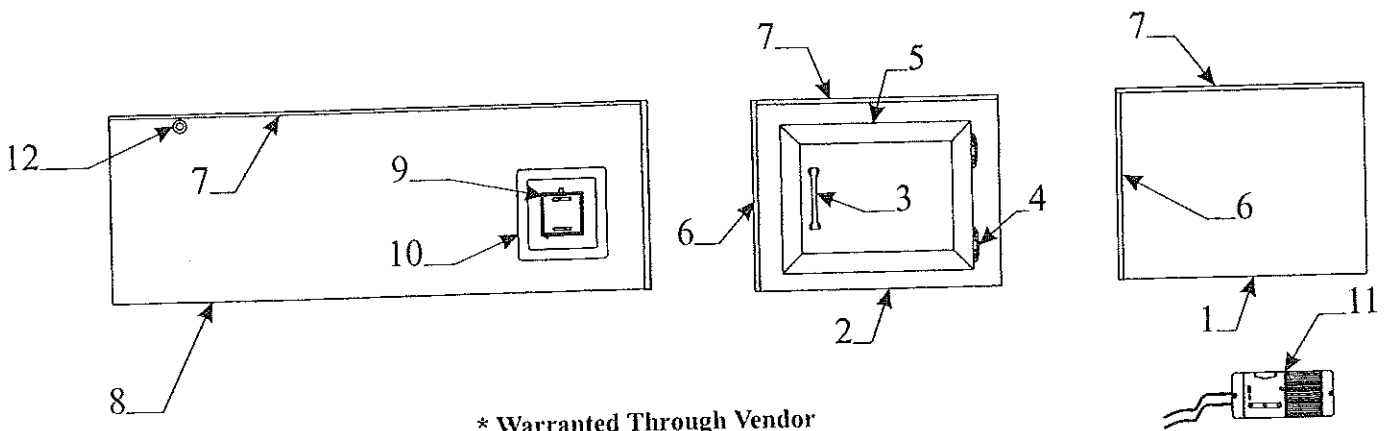
| Flat Rate | Code | Part # | Description |
|-----------|------|-------------|--------------------------|
| .25 | 1 | 4756A5951 | flip-up shelf assy. |
| .20 | 2 | 4756A0291 | flip-up shelf top |
| .30 | | 4060400090P | t-molding pkg. (14' pc.) |
| .15 | 3 | 4756-0311 | flip-up shelf support x2 |
| .50 | 4 | 4756A0031 | cabinet top |
| .35 | 5 | 4756-5961 | pivot bracket |
| .15 | 6 | 4756-0061 | cabinet side |
| .65 | 7 | 4716C0151 | f-channel 24" pc. |
| .15 | 8 | 4756-5111 | drawer assy. x2 |
| .20 | 9 | 4752-2361 | 15 amp receptacle |
| .25 | 10 | 4756-0301 | flip-up shelf back |
| .75 | 11 | 4756B0041 | cabinet front |
| .10 | 12 | 4745C26188 | hinge (spring loaded) |
| .10 | 13 | 4755A2681 | door pull w/screws |
| .10 | 14 | 4756-8931 | dr pnl. 14"x18 1/2" |
| .30 | 15 | 4756-6451 | left pivot arm |
| .30 | 16 | 4756-6441 | right pivot arm |



| Roadside Hutch Assy. 3451,3478 | | | | | | | |
|--------------------------------|------|-------------|---------------------------------|-----------|------|------------|-------------------------------|
| Flat Rate | Code | Part # | Description | Flat Rate | Code | Part # | Description |
| 1.50 | 1 | 4756A4301 | hutch top 3451 | .10 | 8 | 4745C26188 | hinge (spring loaded) |
| 1.50 | 2 | 4756C3831 | hutch top (affixed) 3478 | .15 | 9 | 4757A6551 | dr. pnl. 9 1/8" x 6 3/4" 3451 |
| .50 | 3 | 4757B0181 | hutch top (lift-up) 3478 | 1.50 | 10 | *4756-4521 | hutch front rt. 3451 |
| .30 | | 4060400090P | t-molding pkg. (14' pc.) | 1.50 | | 4756B3821 | hutch front lt. 3478 |
| .15 | 4 | 4756A5161 | door pnl. 12" x 9 1/8" 3451 | .50 | 11 | 4754A0481 | built-in cooler |
| .75 | 5 | 4755B1181 | gazoodi 3451 | .75 | 12 | 4752D4561 | hutch front 3451 |
| | | 4756-0011 | gazoodi 3478 | .75 | | 4756B3811 | hutch front 3478 |
| .30 | | 4060400087P | lipped t-molding pkg. (12' pc.) | .65 | 13 | 4716C0151 | f-channel 24" pc. |
| .10 | 6 | 4743-3551 | furnace grill | 1.25 | 14 | 4752D4571 | hutch side lt. 3451 |
| .10 | 7 | 4755A2681 | door pull w/screws | .25 | 15 | 4756-9041 | water level monitor 3478 |

| Couch/seat components 3451,88,91,78 | | | | | | | |
|-------------------------------------|------|-----------|---|-----------|------|------------|------------------------------|
| Flat Rate | Code | Part # | Description | Flat Rate | Code | Part # | Description |
| .40 | 1 | 4756A8711 | bench top w/slots 3451,88,91 | .15 | 4 | 4758-6491 | drawer assy. 3451,88,91 |
| 1.25 | 2 | 4756A9021 | bench front 3451 | .15 | | 4753F5451 | drawer assy. 3478 |
| 1.25 | | 4757A3031 | bench front 3488 | .10 | 5 | 4755A2681 | door pull w/screws |
| 1.25 | | 4756B8701 | bench front 3491 | .10 | 6 | 4745C26188 | hinge (spring loaded) |
| 1.25 | | 4757B0201 | bench front 3478 | .25 | 7 | 4758-6141 | pull-out platform 3451,88,91 |
| | | | Note: bench fit.4756B8701 has converter cutout | | | 4710-2681 | plastic button x2, m5 |
| .15 | 3 | 4758-6121 | door assy. 3451,88,91 | .25 | 8 | 1202B2528 | washer x2 |
| .15 | | 4756-8971 | door assy. 3478 | | | 4758-6151 | platform leg x2 |
| | | | Note: door used x1 on 3491 | | | 4752-0551 | white plastic cap m2 |

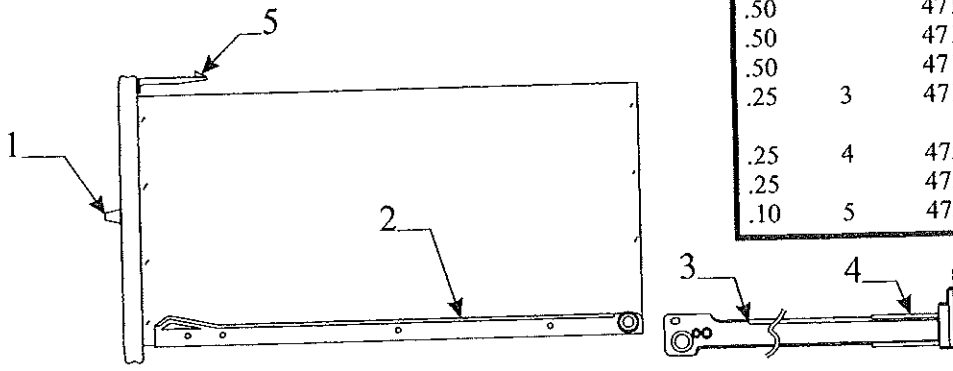




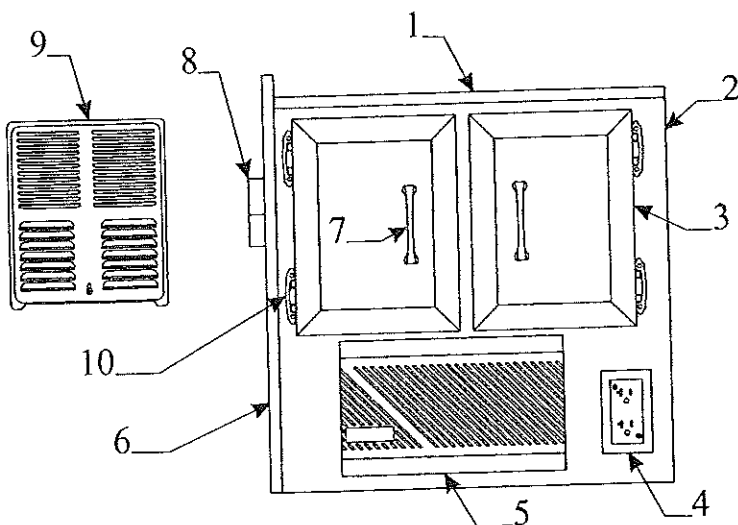
* Warranted Through Vendor

| Flat Rate | Code | Part # | Description | Flat Rate | Code | Part # | Description |
|-----------|------|------------|---|-----------|------|-------------|---------------------------|
| .30 | 1 | 4755A8161 | seat end (both benches) 3489,96 | .65 | 6 | 4716-1421 | 5/32" f-channel 24" pc. |
| .30 | 2 | 4755B1061 | seat end (both benches) 3451,91,94 | .50 | 7 | 4060015602P | 5/32" u-channel 48" pc. |
| .30 | | 4754C0371 | seat end (glide-out benches) 3481,78,95 | .50 | 8 | 4716A2721 | bench panel 14 1/2" x 48" |
| .15 | 3 | 4755A2681 | door pull w/screws | * | 9 | 4752-8461 | thermostat |
| .10 | 4 | 4745C21688 | hinge (spring loaded) | .20 | 10 | 4747-8391 | plastic base & bracket |
| .15 | 5 | 4756A5341 | door panel 3481 (glide-out benches) | .25 | 11 | 4753-9171 | lp gas detector |
| .15 | | 4756-8921 | door panel (rear g/o bench) 3478,95 | | 12 | 4724-2608 | stop button |
| .15 | | 4756-8911 | door panel (front g/o bench) 3478,95 | | | 1103B1012 | #10 3/4" screw |

* Note: drawer guide pkg. Consist of (2) guides /slides and sockets

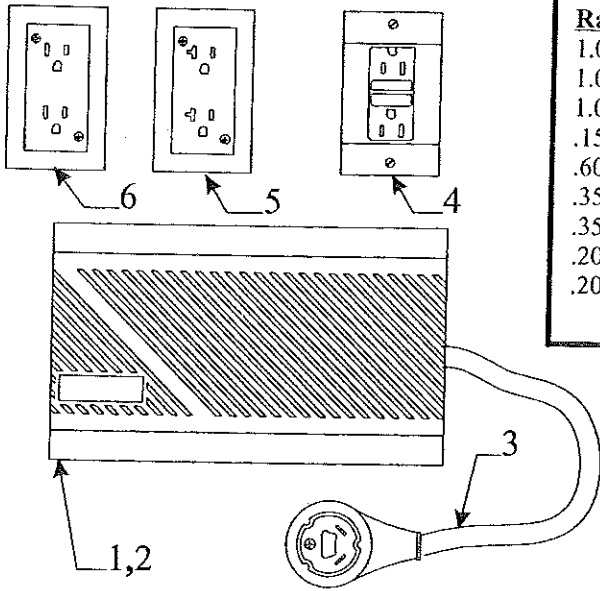


| Flat Rate | Code | Part # | Description |
|-----------|------|-----------|--|
| .15 | 1 | 4755A2681 | door pull w/screws |
| .50 | 2* | 4716-8881 | 10" drawer guide pkg. |
| .50 | | 4716-8831 | 14" drawer guide pkg. |
| .50 | | 4716-8841 | 16" drawer guide pkg. |
| .50 | | 4716-8861 | 20" drawer guide pkg. |
| .25 | 3 | 4716-8911 | 22" drawer guide/socket set (Must cut to length) |
| .25 | 4 | 4755-8801 | plastic socket "left" |
| .25 | | 4755-8811 | plastic socket "right" |
| .10 | 5 | 4756-9841 | plastic child latch m2 |



| Flat Rate | Code | Part # | Description |
|-----------|------|-------------|---------------------------|
| .25 | 1 | 4756E0081 | cabinet top 3478,95,81 |
| .30 | | 4060400090P | t-molding (14' pc. Pkg.) |
| .75 | 2 | 4756C0071 | cabinet front (all) |
| .15 | 3 | 4756-8951 | door panel rt. 3478,95 |
| | | 4756-8961 | door panel lt. 3378,95 |
| .15 | | 4756A5161 | door panel 3481 |
| .20 | 4 | 4752-2371 | 20 amp receptacle 3478,81 |
| .20 | | 4755-8321 | 20 amp GFI recept.3495 |
| 1.00 | 5 | 4753B8201 | converter (all) |
| 1.00 | 6 | 4756-0011 | gazoodi (all) |
| .10 | 7 | 4755A2681 | door pull w/screws |
| * | 8 | 4755B8201 | nylon block x2 |
| .10 | 9 | 4743-3551 | furnace grill |
| .10 | 10 | 4745C26188 | hinge (spring loaded) |

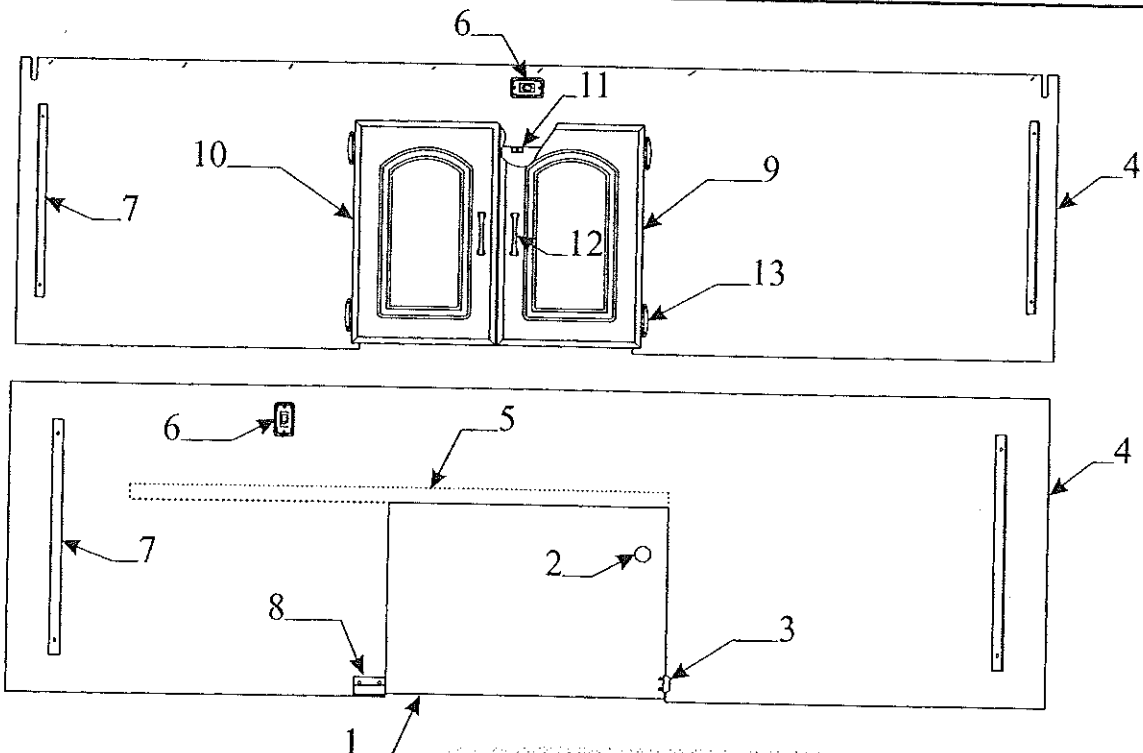
* Prior Authorization from factory needed

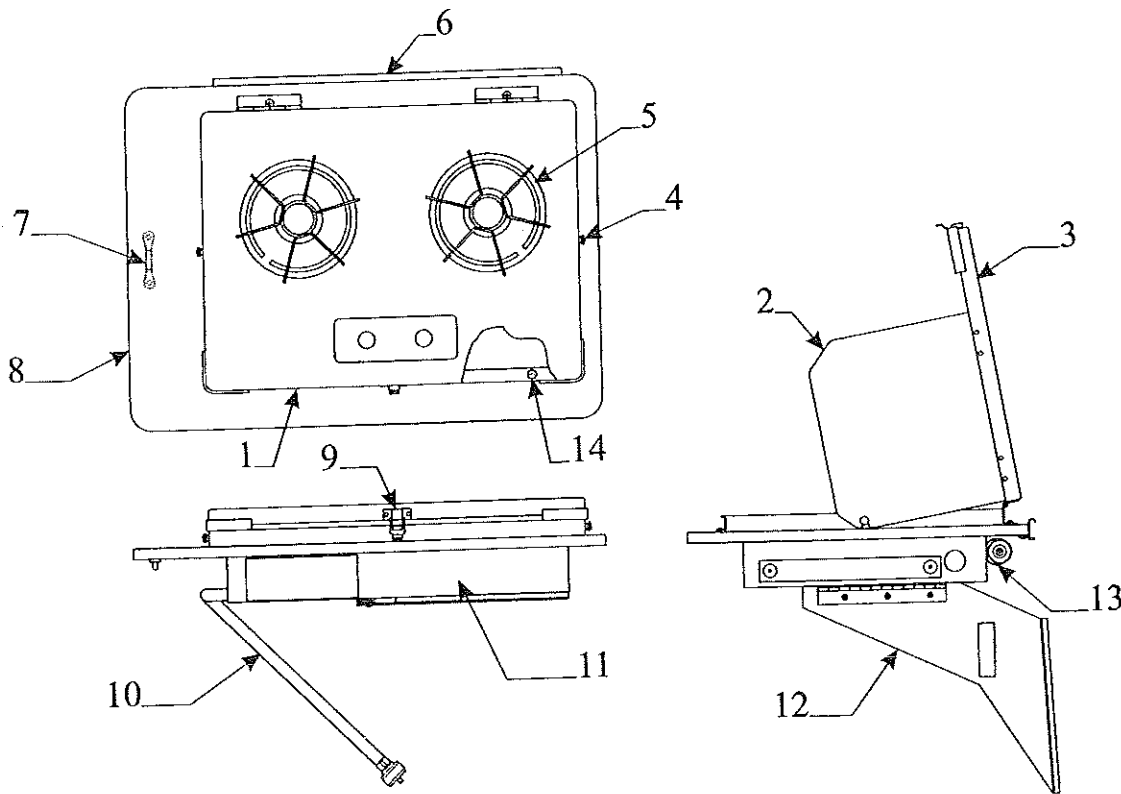


| Flat Rate | Code | Part # | Description |
|-----------|------|-----------|--------------------------------------|
| 1.00 | 1 | 4742C9811 | converter 12 amp (Elixir cs 1200) |
| 1.00 | | 4753B8201 | converter 20 amp (Elixir cs 2000) |
| 1.00 | | 4757-3401 | 15/20 amp combo breaker |
| .15 | 2 | 4716A1301 | converter face cover (plastic) |
| .60 | 3 | 4744-3101 | power cord 30 ft. |
| .35 | 4 | 4746B3841 | GFI receptacle w/cover (wht.) |
| .35 | | 4755-8321 | 20 amp GFI receptacle w/cover (wht.) |
| .20 | 5 | 4752-2371 | 20 amp receptacle w/cover (wht.) |
| .20 | 6 | 4752-2361 | 15 amp receptacle w/cover (wht.) |
| | 7 | 4746A3851 | receptacle box |

Elixir/Centurion Converter
 Tech Support Phone # 1-800-848-0558

| Flat Rate | Code | Part # | Description | Flat Rate | Code | Part # | Description |
|-----------|------|-----------|--------------------------|-----------|------|------------|-------------------------|
| .25 | 1 | 4751F2691 | sliding door panel (all) | .15 | 6 | 4751-1161 | "lighted" rocker switch |
| .10 | 2 | 4748A3951 | door pull w/screw | 1.50 | 7 | 4754B3291 | angle x2 |
| .20 | 3 | 4751A0901 | door catch | .15 | 8 | 4754-2861 | door bracket pkg. |
| | | 4744B4608 | rivet m25 | .15 | 9 | 4756-8891 | door pnl. 3495,78 |
| 4.00 | 4 | 4755C3401 | wood bulkhead 3451,94 | .15 | 10 | 4756-8901 | door pnl. 3495,78 |
| 4.00 | | 4754D1881 | wood bulkhead 3496,81 | .15 | 11 | 4733-6391 | latch & strike pkg. |
| 4.00 | | 4756D2081 | wood bulkhead 3478 | .10 | 12 | 4755A2681 | door pull /screw |
| 4.00 | | 4751J2681 | wood bulkhead 3495 | 10 | 13 | 4745C26188 | hinge (spring loaded) |
| .35 | 5 | 4716-4021 | door slide track 48" pc. | | | | |



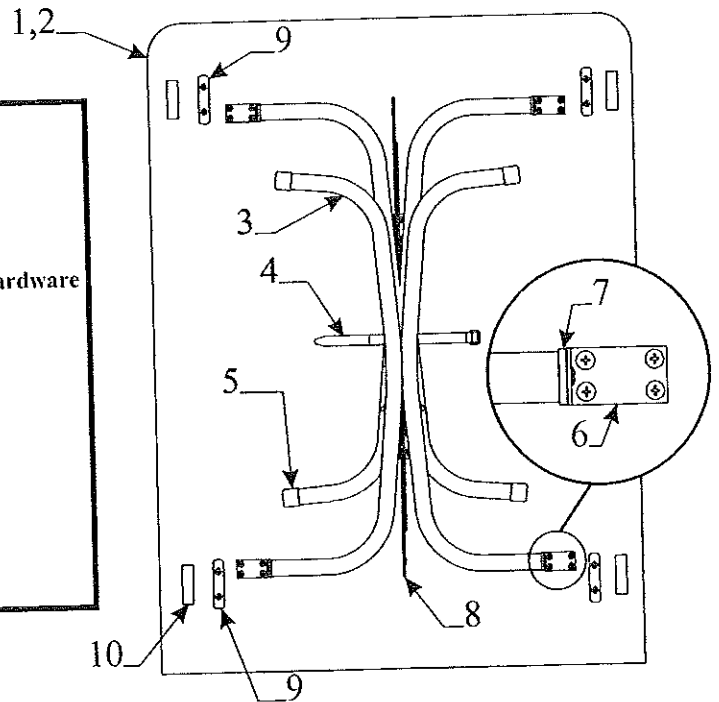


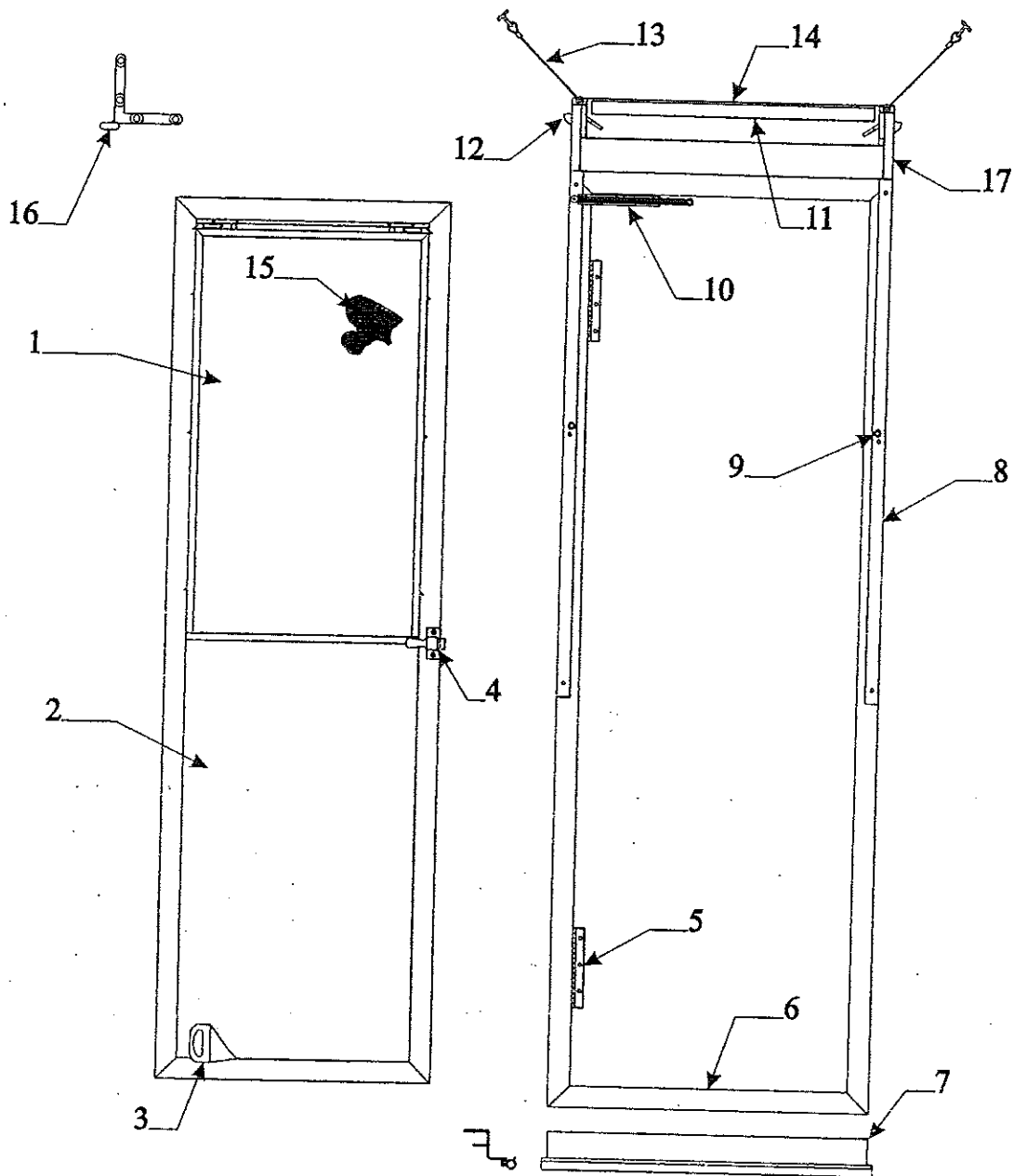
Black Vinyl Stove Pouch (4752-6601)

4750G6601 H.P. Stove Assy. Complete

| Flat Rate | Code | Part # | Description | Flat Rate | Code | Part # | Description |
|-----------|------|------------|--|-----------|------|-----------|---------------------|
| | | | Outside HP Stove Components (all) | | | | |
| .15 | 1 | 4746A9491 | porcelain cook top "black" | .60 | 8 | 4746F9391 | counter top |
| .25 | 2 | 4749D99381 | stove fin x2 | .20 | 9 | 4733-4018 | latch |
| .15 | 3 | 4749E6601 | stove cover "black" | .10 | | 4733-4028 | latch strike |
| .05 | 4 | 4716A0881 | thumb screw m6 | .25 | 10 | 4746A9891 | gas hose |
| .05 | 5 | 4716-1851 | grate x2 | .75 | 11 | 4746B9481 | stove box |
| .35 | 6 | 4754-0471 | stove hanger brkt. | .25 | 12 | 4746-9221 | outside stove flap |
| .20 | 7 | 4733B4511 | steel loop m2 | .15 | 13 | 4734-2431 | gripper clip m4 |
| | | | | | 14 | 4716-4591 | screw & weld pin m4 |

| Flat Rate | Code | Part # | Description |
|---|------|-------------|-----------------------------|
| .50 | 1 | 4756A8461 | table top (30" x 39") (ALL) |
| .30 | 2 | 4060400090P | t-molding pkg. (14' pc.) |
| .50 | 3 | 4745F52781 | table leg package |
| Note: pkg. includes 2 legs & required mounting hardware | | | |
| .10 | 4 | 4751A9711 | strap & screw pkg. |
| .10 | 5 | 4752-0551 | white plastic cap m2 |
| .15 | 6 | 4720F1211 | table leg mounting brace m2 |
| | | 1103B101F | 5/8" wood screw |
| .15 | 7 | 4752A0561 | table leg insert cap m2 |
| .25 | 8 | 4720A1501 | lock brace assy. x2 |
| | | 1103B101F | 5/8" wood screw |
| .15 | 9 | 4756-8741 | table top plastic spacer m4 |
| | | 1103B08148 | 7/8" screw (x2 per spacer) |
| .05 | 10 | 4724D2631 | velcro fastener m4 |

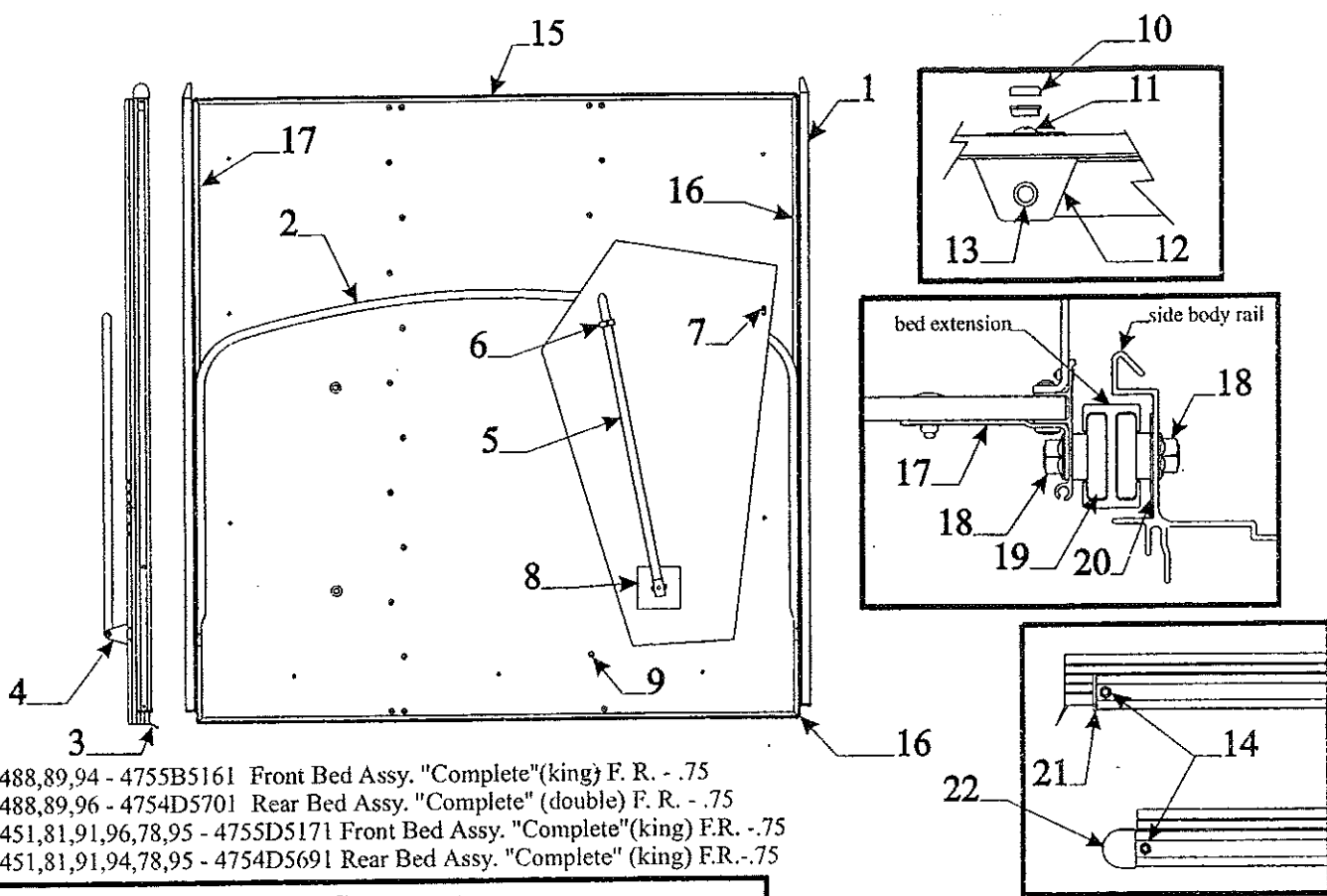




Note: Parts Marked w/* Asterisk Are Excluded w/Screen Door

| Flat Rate | Code | Part # | Description | Flat Rate | Code | Part # | Description |
|--|------|--------------|----------------------------------|-----------|------|-------------|--------------------------------|
| 4747L53781 Screen Door Assy. (All) | | | | | | | |
| .10 | 1 | 4716D3401 | top sliding window pane | .50 | 11 | 4060000400F | d-seal (sold/foot) |
| .40 | 2 | ** 4754B1541 | stationary window pane | .25 | 12 | 4741-8658 | sash lock x2 |
| .15 | 3 | 4750-3591 | rubber seal (18" lengths) | | | 4747A9231 | rivet m25 |
| Note: around perimeter of window pane | | | | | | | |
| .15 | 4 | *4742-9671 | door latch assembly | | | 1202B2698 | washer |
| .15 | 5 | 4720C3601 | hinge x2 | .15 | 13 | 4734E5211 | plastic spacer |
| | 6 | 1203-8641 | rivet m25 | .50 | 14 | 4753-4501 | cable assemble m2 (all) |
| .25 | 7 | *4747B2011 | screen door support | | | 1203-8641 | top bracket |
| | | *4060000399F | rubber seal (sold/foot) | .10 | 15 | 4716-1381 | rivet m25 |
| .20 | 8 | 4754-3811 | vel-stick & mounting hardware x2 | .75 | | 4716-1111 | screened stationary pane |
| .05 | 9 | 4730A3548 | stud w/screw x2 | .50 | 16 | 4710-3791 | screening 36" x 18 1/2" |
| .20 | 10 | 4731A8201 | spring pkg. | | 17 | 4350000119F | corner brace hinge m2 |
| | | | | | | | velcro loop "black" (sold/yd.) |

** REVISED 5/17/00



3488,89,94 - 4755B5161 Front Bed Assy. "Complete"(king) F. R. - .75
 3488,89,96 - 4754D5701 Rear Bed Assy. "Complete" (double) F. R. - .75
 3451,81,91,96,78,95 - 4755D5171 Front Bed Assy. "Complete"(king) F.R. -.75
 3451,81,91,94,78,95 - 4754D5691 Rear Bed Assy. "Complete" (king) F.R.-.75

* .50 First Bed Extension
 * .25 Second Bed Extension

| Flat Rate | Front/Rear Bed Assy. Code | Part # | Description |
|--|---------------------------|-------------|---|
| * | 1 | 4716U4031 | bed extension (x2 per bed) |
| Note: must cut to size if needed for rear bed assy. | | | |
| .25 | 2 | 4714B1901 | tent bow/leg package |
| .25 | 3 | 4060300339P | vinyl bed seal (8' pc. pkg.) |
| .15 | 4 | 4720G5631 | bed bow bracket (x2 per bed) |
| .20 | 5 | 4734E5881 | bed leg assembly m2 (x2 frt king/ x2 rear double beds) |
| .20 | | 4753-3811 | bed leg assembly (x2 rear king beds) |
| .15 | 6 | 4720C0771 | bed leg clip m4 |
| | | 1203-8831 | rivet m25 (rivet clip to bed) |
| .15 | 7 | 4720D4021 | lashing hook m6 |
| | | 1203-8741 | rivet m25 (rivet hook to bed) |
| .20 | 8 | 4737A4178 | support plate |
| | 9 | 1203C8721 | rivet m25 |
| | 10 | 4739E2908 | screw cap m10 |
| | | 4739-2918 | screw cap washer m10 |
| | 11 | 4716-074 | screw |
| | | 1202B2528 | washer |
| .20 | 12 | 4734A5141 | bed leg bracket |
| | 13 | 4720A2361 | rod & pal nut |
| .20 | 14 | 1034B16128 | flat head screw |
| | | 1201B6378 | lock nut |
| 1.50 | 15 | 4733D0921 | inside bed frame (front bed) |
| 1.50 | | 4739C4631 | inside bed frame (rear bed) |
| 1.50 | 16 | 4744B9991 | outside bed frame (front bed) |
| 1.50 | | 4720F1181 | outside bed frame (rear bed) |
| .20 | 17 | 4755A2591 | bed brkt. w/mounting hardware x4 |
| | 18 | 4739-2298 | lock nut |
| .50 | 19 | 4754-8101 | bed roller, nut, bolt, & washer pkg. |
| | 20 | 1202B2908 | washer |
| .15 | 21 | 4754-8631 | bed slide end cap |
| .15 | 22 | 4754-4821 | bed slide wedge |

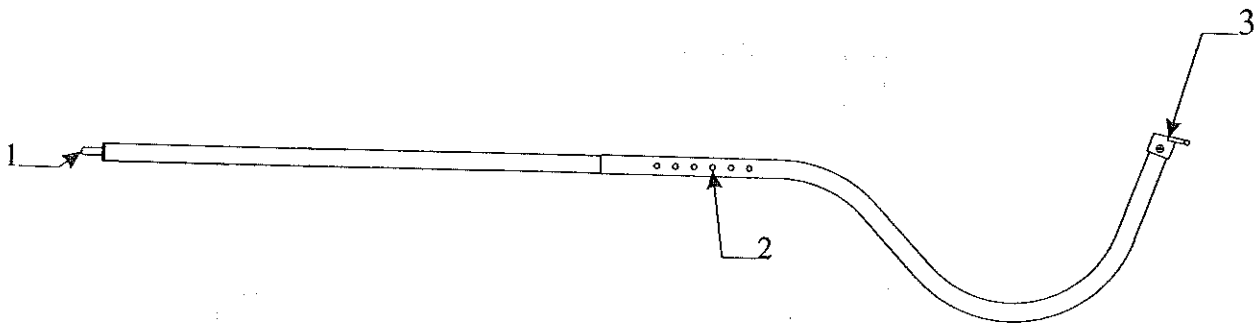
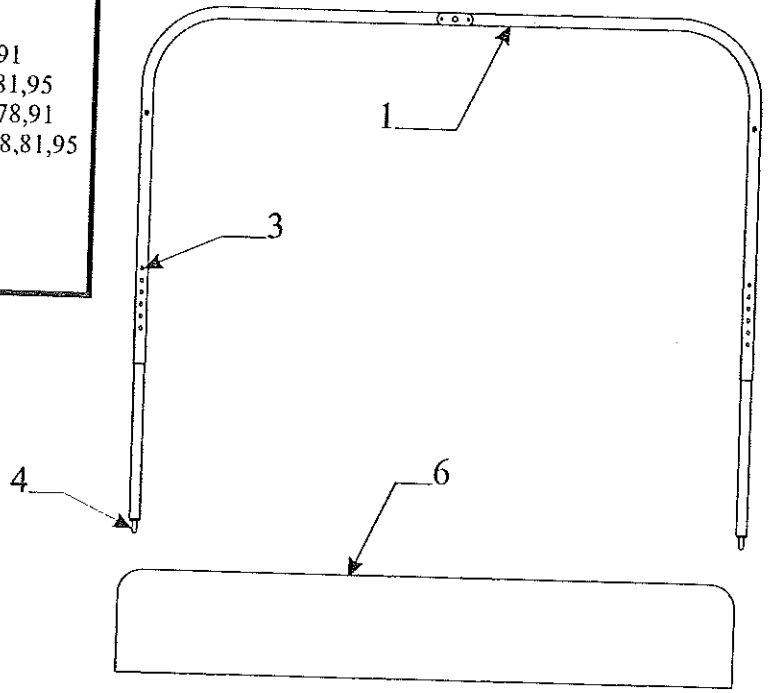
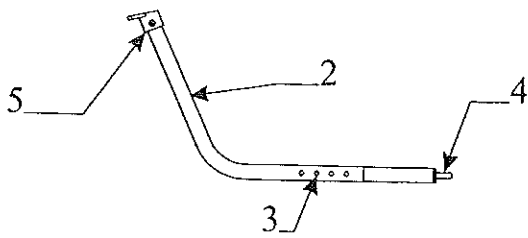
Flat Rate
 Mattress Assy. .10/Cover .50

Mattress Assemblies & Covers

| Model | Frt. Matt. assy. | Frt. Matt. Cover |
|--------------------|------------------|------------------|
| All except 3478,95 | 4754E5341 | 4716E5341 |
| 3478,95 | 4748J6241 | 4716J6241 |
| Model | Rear Matt. assy. | Rear Matt. Cover |
| 3488,89,96 | 4754E5331 | 4716E5331 |
| 3451,81,91,94 | 4754E5341 | 4716E5341 |
| 3478,95 | 4748J6241 | 4716J6241 |

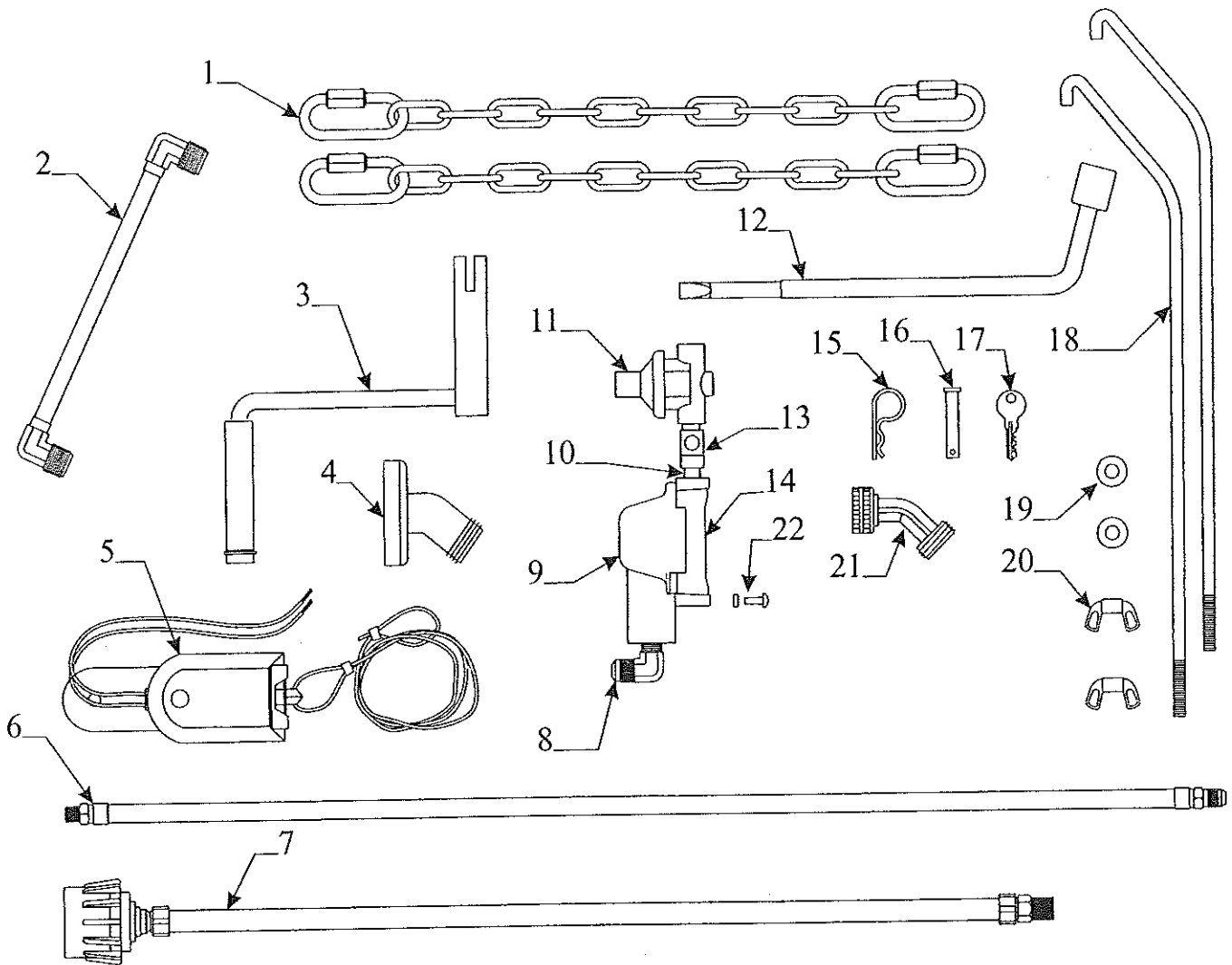
Mattress Size
 King - 77" x 70" x 3 1/2"
 Double - 77" x 48" x 3 1/2"

| Tip-out/Glide-out Tent Bow 3451,78,81,91,95 | | | |
|---|------|-----------|-----------------------------------|
| Flat Rate | Code | Part # | Description |
| .10 | 1 | 4755A5611 | tip-out tent bow 3451,78,91 |
| .10 | | 4756-2071 | glide-out tent bow 3478,81,95 |
| .05 | 2 | 4754B6761 | tip-out tent support 3451,78,91 |
| .05 | | 4756A6661 | glide-out tent support 3478,81,95 |
| | 3 | 4734-6708 | snap spring |
| .20 | 4 | 8470-1728 | black pin m10 |
| .10 | 5 | 4757-1351 | tent support tip w/screw |
| .10 | 6 | 4755-0971 | tip-out support board |



| Tent Support Components | | | |
|-------------------------|------|-----------|--------------------------|
| Flat Rate | Code | Part # | Description |
| .20 | 1 | 8470-1728 | pole pin "black" m10 |
| .10 | 2 | 4734-6708 | spring assy. |
| .10 | 3 | 4757-1351 | tent support tip w/screw |

| Tent Support Assemblies (Complete) | | |
|------------------------------------|-----------|-----------|
| Flat Rate .10 per Tent Support | | |
| Model | Front Bed | Rear Bed |
| 3488,89,96 | 4741H5581 | 4741G5591 |
| 3451,81,91,94,78,95 | 4741H5581 | 4741H5581 |



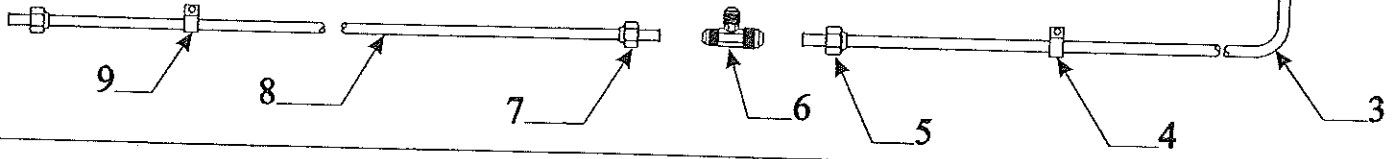
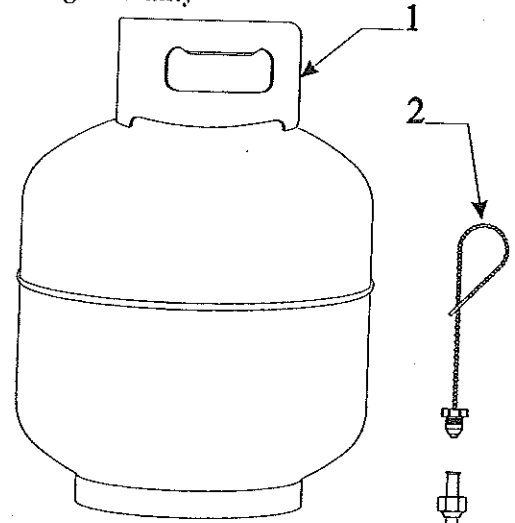
4754C8521 Parts Package 3488,89,91,96,51,81
 *4754D4391 Parts Package 3494
 4750E6111 Parts Package 3478,95

*Note: parts package used on 3488,89,91,96,51,81 with standard factory hot water

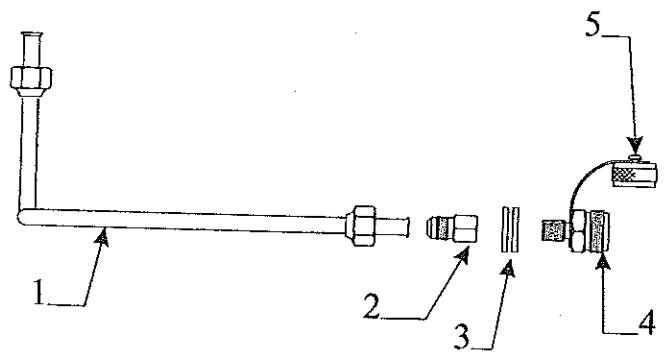
| Flat Rate | Parts Package Code | Component Part # | Description | Code | Part # | Description | |
|-----------|--------------------|------------------|-----------------------------------|------|--------|--|--------------------------------|
| | 1 | 4757-3901 | 29" tow chain w/quick links m2 | | 13 | 4739-6998 | brass elbow |
| | | 4757-3891 | quick link (sold/signally) | .45 | 14 | 4742-8051 | regulator "low pressure" |
| | 2 | 4746-5381 | winterizing adapter | | 15 | 4732A4791 | safety pin m10 |
| | 3 | 4747F4141 | crank handle | | 16 | 4771-2631 | hitch pin m5 |
| | 4 | 4737-9138 | drain adapter | | 17 | 4730B3211 | key m10 # 8025 (gold plated) |
| | 5 | 4746-0401 | breakaway switch | | 18 | 4733F6281 | gas bottle mounting brkt. Pkg. |
| .45 | 6 | 4742-8081 | gas hose "high pressure" | | | Note: pkg. includes (2) brkt.'s ,wing nuts,washers | |
| .45 | 7 | 4733R3991 | gas hose w/acme nut | | 19 | 1202B0468 | washer x2 m10 |
| | 8 | 4753-8981 | 3/8" x 3/8" elbow (non hot water) | | 20 | 1201-6258 | wing nut x2 |
| | | 4755-0421 | 1/2" x 3/8" elbow (hot water) | | 21 | 4744-2651 | gooseneck |
| | 9 | 4734C3781 | regulator cover (plastic) | | 22 | 1143B10081 | mounting screw m2 |
| | 10 | 4755-0661 | 1/4" hex nipple | | | 0322A3301 | brass spacer m2 |
| .45 | 11 | 4742A8041 | high pressure regulator | | 23 | 4741-3268 | valve stem extension x2 |
| | 12 | 4749A1861 | lug nut wrench | | | | |

**** Serial Number Of Gas Bottle Must Be Supplied When Submitting Warranty**

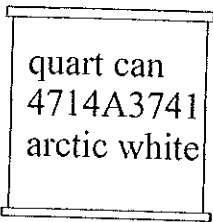
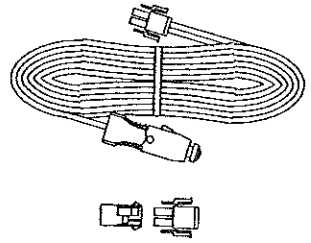
| Flat Rate | Gas System & Related Parts | Code | Part # | Description |
|-----------|----------------------------|---------------------------------------|--------|---------------------------------------|
| .15** | 1 | 4720J5928 | | gas bottle (arctic white) |
| | | 4724H6441 | | black vinyl bottle cover |
| | | 4737-838 | | 1/2" plastic cap & strap |
| .50 | 2 | 4733A3888 | | 3/8" plastic cap & strap |
| | | 3 | | 1/2" copper gas line purchase locally |
| .50 | 4 | 1201-8738 | | 1/2" clamp "rubber coated" |
| | | 5 | | 1/2" flare nut |
| .50 | 6 | 1215-1781 | | brass tee - 1/2" x 3/8" x 3/8" |
| .50 | 7 | 1215-1771 | | brass tee - 3/8" x 3/8" x 3/8" |
| .50 | 8 | 1215-2418 | | 3/8" flare nut |
| .50 | 9 | 3/8" copper gas line purchase locally | | |
| | | 1201-8708 | | 3/8" clamp "rubber coated" |



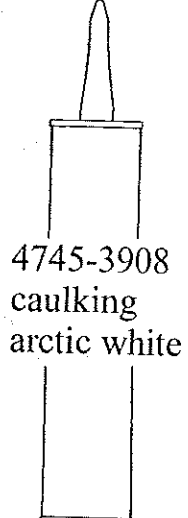
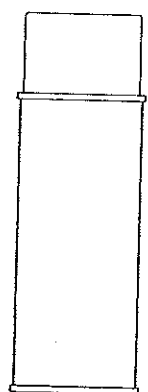
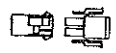
| Flat Rate | Outside Stove Hookup Components | Code | Part # | Description |
|-----------|---------------------------------|-----------|---------------------------------------|-------------------|
| .50 | 1 | | 3/8" copper gas line purchase locally | |
| .40 | 2 | 1215-2418 | | 3/8" flare nut |
| | | 4742-8061 | | female coupling |
| .40 | 3 | 1202B1068 | | washer x2 |
| .40 | 4 | 4739-6978 | | cylinder adapter |
| .40 | 5 | 4742-8071 | | brass cap & strap |



4733D6701 auto extension

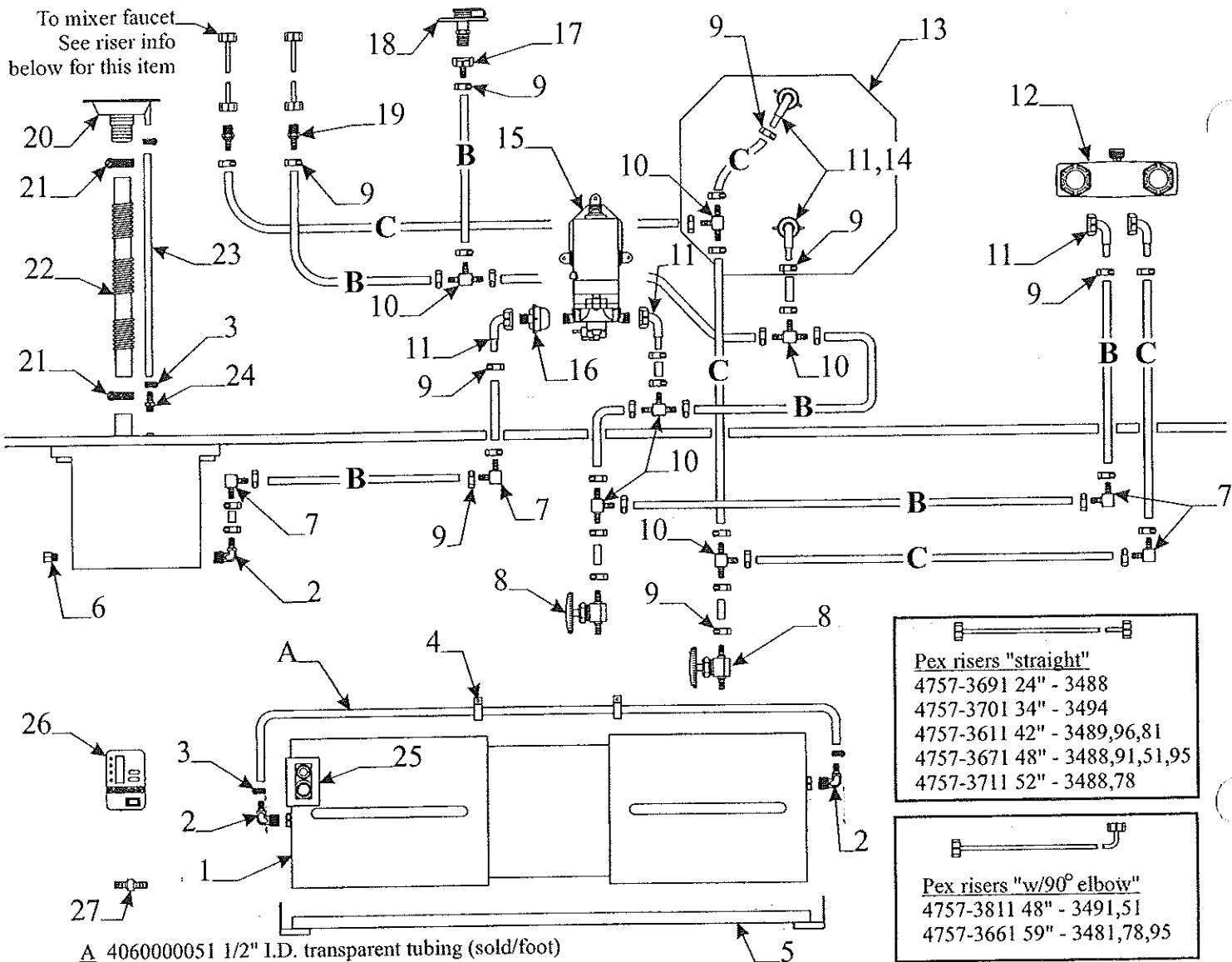


4716A4701 12 volt cap & plug m2



4745-3908
caulking
arctic white

16 oz. spray
0008-2561 arctic white
0008B2471 black
0008-2611 oak



A 4060000051 1/2" I.D. transparent tubing (sold/foot)
 B 4060050006P 3/8" I.D. Pex tubing "cold" (20' pc. Pkg.)
 C 4060050007P 3/8" I.D. Pex tubing "hot" (20' pc. Pkg.)

Pex risers "straight"
 4757-3691 24" - 3488
 4757-3701 34" - 3494
 4757-3611 42" - 3489,96,81
 4757-3671 48" - 3488,91,51,95
 4757-3711 52" - 3488,78

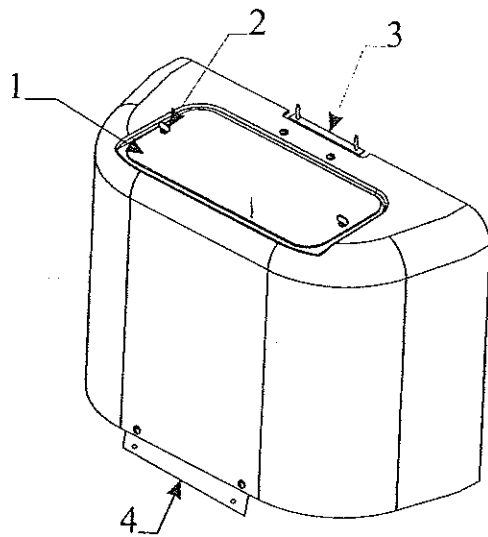
Pex risers "w/90° elbow"
 4757-3811 48" - 3491,51
 4757-3661 59" - 3481,78,95

4714-038 3/8" I.D. High pressure hose (sold/foot)

| Flat Rate | Water System & Related Parts | | | Flat Rate | Description | | |
|-----------|------------------------------|---|------|-----------|-------------|-------------------------------|--|
| Code | Part # | Description | Code | Part # | Description | | |
| 1.50 | 1 | 4757A0521 water tank w/out hot water 3488,3489,3496 | .25 | 10 | 4741C2381 | brass tee "Pex" m10 | |
| 1.50 | | 4757-0471 water tank w/hot water 3488,89,91,96 | .25 | 11 | 4741B9061 | copper swivel elbow | |
| 1.50 | | 4756-8101 water tank 3451 | .50 | 12 | 4741B2071 | shower diverter | |
| 1.50 | | 4756-2731 water tank 3481,94 | * | 13 | 4750-3421 | water heater (all) | |
| 1.50 | | 4756-8881 water tank 3478,95 | .20 | 14 | 4757-1671 | hex nipple "plastic" | |
| .25 | 2 | 4741C2371 elbow "plastic" | .50 | 15 | 4741C5571 | electric water pump | |
| | 3 | 4731-3058 adjustable hose clamp 3/8" | .25 | 16 | 4747A8311 | water filter | |
| | 4 | 1201-865 tube clamp | .20 | 17 | 4741A9561 | female adapter "copper" | |
| .20 | 5 | 4755A6581 tank hanger 3478,81,95 | .30 | 18 | 4732F1521 | city fill | |
| .20 | ** | 4758-5391 tank hanger x2 3488,89,96 | .20 | 19 | 4757-3631 | brass adapter 3/8" barb "Pex" | |
| .20 | | 4758-5381 tank hanger x2 3491,94,97 | .30 | 20 | 4731D1711 | fill spout | |
| .20 | | 4756A5991 tank hanger x1 3451 | .21 | 21 | 4715-4501 | adjustable hose clamp | |
| .15 | 6 | 1218-7001 plug | .35 | 22 | 4731H1081 | water fill hose (3' pc.) | |
| .25 | 7 | 4741C2391 brass elbow "Pex" m10 | .20 | 23 | 4060050003F | 1/2" h.p. hose (sold/ft.) | |
| .20 | 8 | 4741D2361 brass line drain "Pex" | .15 | 24 | 4732B4561 | hose adapter | |
| .25 | 9 | 4741A2751 stainless steel clamp m100 | .50 | 25 | 4742A8631 | tank gasket 3478,81,94,95 | |
| | | | .25 | 26 | 4756-9041 | water level monitor 3478,95 | |
| | | | .25 | 27 | 4755-4821 | brass barbed union m10 | |

** Note: units w/factory hot water will use 4758-5381 hangers

* Warranted By Vendor



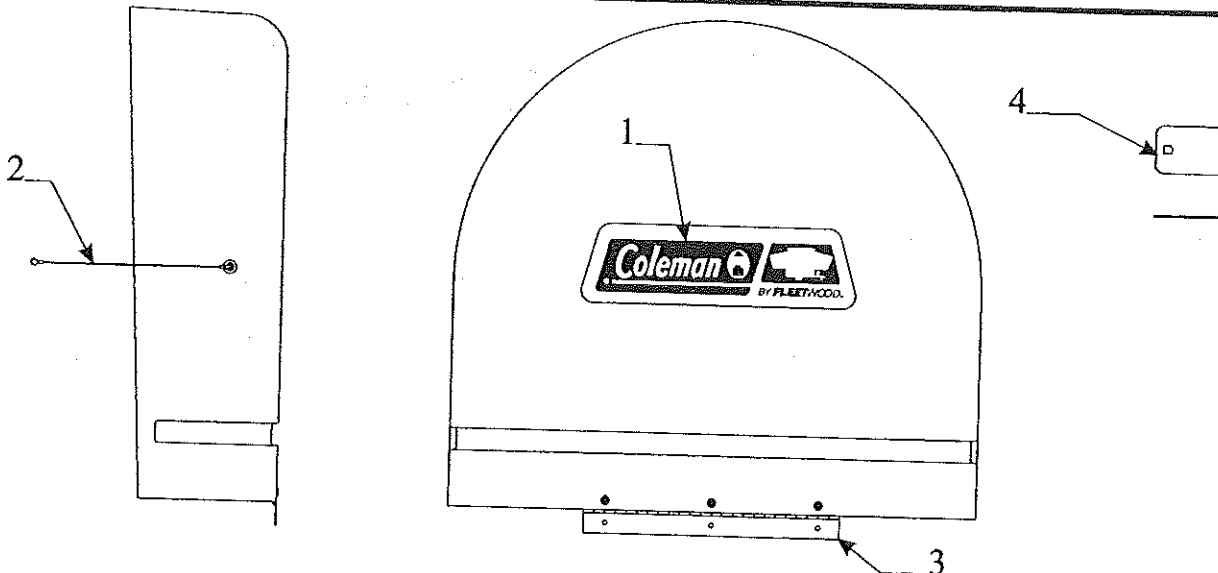
Moled Gas Bottle Cover Assembly (4749L1341)

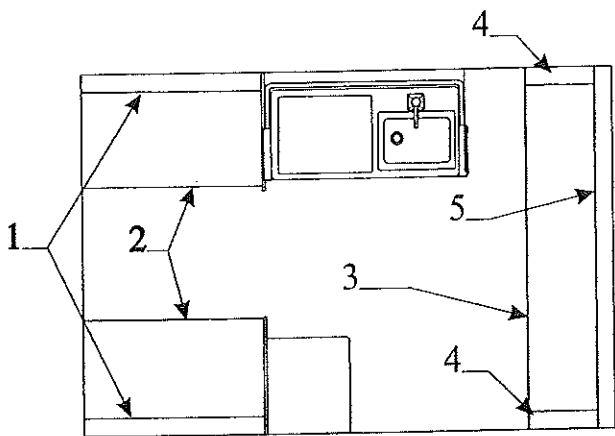
| Gas bottle cover components | | | | | | | |
|-----------------------------|------|-------------|---|-----------|------|-----------|------------------------|
| Flat Rate | Code | Part # | Description | Flat Rate | Code | Part # | Description |
| .40 | 1 | 4757-2741 | lp lid w/latches & seal | | 3 | 4757-2731 | lp cover top keeper |
| | | 4060000011P | lid seal pkg. (4' pc.) | | | 1121C1618 | screw x2 |
| | 2 | 4757-2771 | wing screw/washer & clip pkg. Note: pkg consist of (2) pcs. Each | | | 4732-1181 | plastic grommet x2 |
| | | | | | 4 | 4757-2721 | lp cover bottom keeper |
| | | | | | | 1121C1618 | screw x2 |
| | | | | | | 4732-1181 | plastic grommet x2 |

**.40 Molded Tire Cover Assembly (4753A6771) (4749L1341) (standard on 3478,3495)
4716-6771 Hardware parts package**

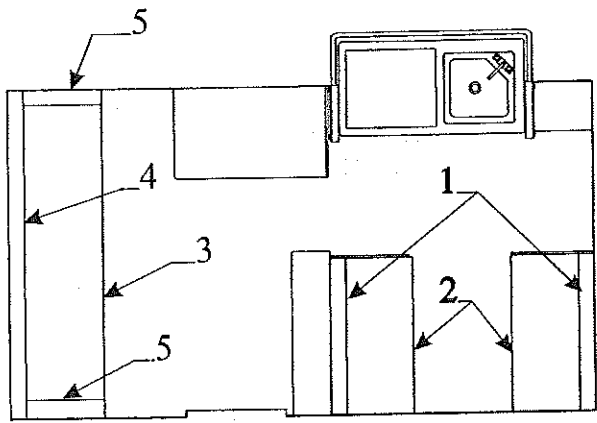
*Note: package includes items marked with asterisk **

| Tire cover components | | | | | | | |
|-----------------------|------|------------|---------------------|------|-------------|------------------------|-------------|
| Flat Rate | Code | Part # | Description | Code | Part # | Description | Description |
| .25 | 1 | 4752C0788 | by fleetwood decal | 4 | *4753-3651 | keeper bracket | |
| | 2 | 4753A8041 | cable | | *4732-1181 | grommet x1 m4 | |
| | | 1202E0408 | washer x1 | | *1121C1618 | screw x1 | |
| | | 4741D96568 | expansion rivet m25 | | *4741D96568 | expansion rivet x3 m25 | |
| | 3 | 4753-8031 | hinge | | *1202B0268 | washer x1 | |
| | | 4733D0601 | rivet m25 | | | | |

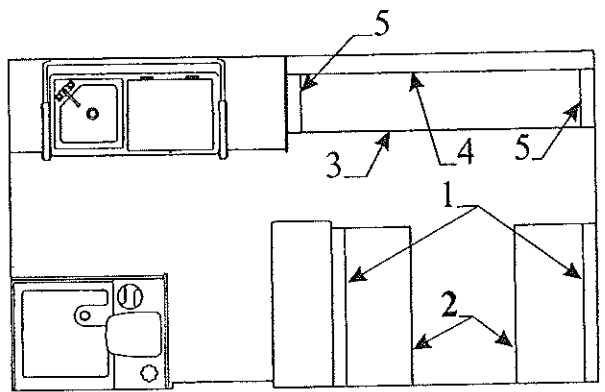




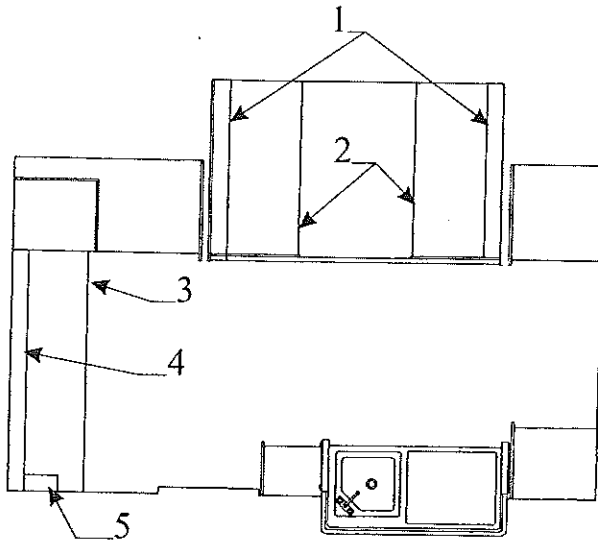
| Cushion & Backrest Assy.'s 3488 Sea Pine | | | |
|--|------|-----------|-----------------------------------|
| Flat Rate | Code | Part # | Description |
| .10 | 1 | 4754D6361 | backrest assy. 40 5/8" x 18" x 4" |
| .25 | | 4714D6361 | backrest cover |
| .10 | 2 | 4754D6381 | cushion assy. 40 5/8" x 22" x 4" |
| .25 | | 4716D6381 | cushion cover |
| .10 | 3 | 4758-6161 | cushion assy. 81" x 20" x 5" |
| .25 | | 4716-6161 | cushion cover |
| .10 | 4 | 4758-6211 | arm rest 15" x 5 1/2" x 5 1/2" |
| .25 | | 4716-6211 | arm rest cover |
| .10 | 5 | 4758-6221 | backrest assy. 78 3/4" x 13" x 4" |
| .25 | | 4716-6221 | backrest cover |



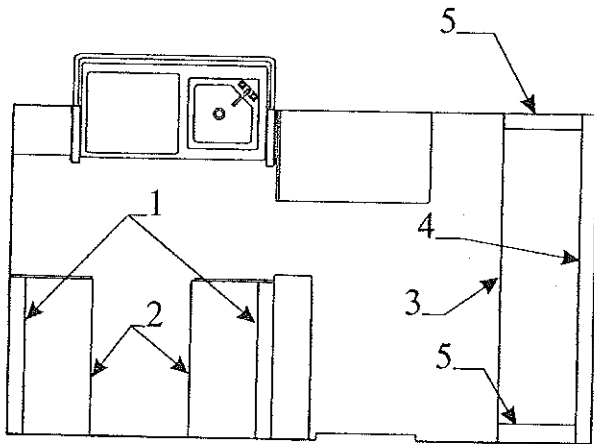
| Cushion & Backrest Assy.'s 3451 Mesa | | | |
|--------------------------------------|------|-----------|---------------------------------------|
| Flat Rate | Code | Part # | Description |
| .10 | 1 | 4758B5741 | backrest assy. 38 1/2" x 15" x 3 1/2" |
| .25 | | 4716B5741 | backrest cover |
| .10 | 2 | 4756D5631 | cushion assy. 39 1/2" x 18" x 4" |
| .25 | | 4716D5631 | cushion cover |
| .10 | 3 | 4758-6161 | cushion assy. 81" x 20" x 5" |
| .25 | | 4716-6161 | cushion cover |
| .10 | 4 | 4758-6221 | backrest assy. 78 3/4" x 13" x 5" |
| .25 | | 4716-6221 | backrest cover |
| .10 | 5 | 4758-6211 | arm rest 15" x 5 1/2" x 5 1/2" |
| .25 | | 4716-6211 | arm rest cover |



| Cushion & Backrest Assy.'s 3494 Westlake | | | |
|--|------|-----------|---------------------------------------|
| Flat Rate | Code | Part # | Description |
| .10 | 1 | 4758B5741 | backrest assy. 38 1/2" x 15" x 3 1/2" |
| .25 | | 4716B5741 | backrest cover |
| .10 | 2 | 4756D5631 | cushion assy. 39 1/2" x 18" x 4" |
| .25 | | 4716D5631 | cushion cover |
| .10 | 3 | 4758-6191 | cushion assy. 66" x 20" x 4" |
| .25 | | 4716-6191 | cushion cover |
| .10 | 4 | 4758-6201 | backrest assy. 66" x 13" x 5" |
| .25 | | 4716-6201 | backrest cover |
| .10 | 5 | 4758-6211 | arm rest 15" x 5 1/2" x 5 1/2" |
| .25 | | 4716-6211 | arm rest cover |



| Flat Rate | Cushion & Backrest Assy.'s 3478 Bayside | | |
|-----------|---|-----------|---------------------------------------|
| | Code | Part # | Description |
| .10 | 1 | 4756C5541 | backrest assy. 42 1/4" x 16 3/8" x 4" |
| .25 | | 4716C5541 | backrest cover |
| .10 | 2 | 4756C5581 | cushion assy. 43" x 18 3/8" x 4" |
| .25 | | 4714C5581 | cushion cover |
| .10 | 3 | 4757A6591 | cushion assy. 57" x 20" x 4" |
| .25 | | 4714A6591 | cushion cover |
| .10 | 4 | 4757A6581 | backrest assy. 55 1/2" x 15" x 3 1/2" |
| .25 | | 4714A6581 | backrest cover |
| .10 | 5 | 4757A6571 | arm rest 15" x 5 1/2" x 5 1/2" |
| .25 | | 4716A6571 | arm rest cover |



| Flat Rate | Cushion & Backrest Assy.'s 3491 Sun Valley | | |
|-----------|--|-----------|---------------------------------------|
| | Code | Part # | Description |
| .10 | 1 | 4758B5741 | backrest assy. 38 1/2" x 15" x 3 1/2" |
| .25 | | 4716B5741 | backrest cover |
| .10 | 2 | 4756D5631 | cushion assy. 39 1/2" x 18" x 4" |
| .25 | | 4716D5631 | cushion cover |
| .10 | 3 | 4758-6161 | cushion assy. 81" x 20" x 5" |
| .25 | | 4716-6161 | cushion cover |
| .10 | 4 | 4758-6221 | backrest assy. 78 3/4" x 13" x 5" |
| .25 | | 4716-6221 | backrest cover |
| .10 | 5 | 4758-6211 | arm rest 15" x 5 1/2" x 5 1/2" |
| .25 | | 4716-6211 | cushion cover |

Cushion Button x2 - 4710-2681 m5

Dinette Cushion/Backrest Assemblies & Covers

Flat Rate .10 Assembly - .25 Cover

| Model | Cushion Assembly | Cushion Cover | Model | Backrest Assembly | Backrest Cover |
|--------------|------------------|---------------|--------------|-------------------|----------------|
| 3489,3496 | 4754E5241 | 4716E5241 | 3489,3496 | 4754E5231 | 4716E5231 |
| 3481 Utah | 4754E5241 | 4716E5241 | 3481 Utah | 4757C5591 | 4716C5591 |
| 3495 Niagara | 4756C5581 | 4714C5581 | 3495 Niagara | 4756C5541 | 4716C5541 |

CS Couch Cushion/Backrest Assemblies & Covers

Flat Rate .10 Assembly - .25 Cover

| Model | Cushion Assembly | Cushion Cover | Model | Backrest Assembly | Backrest Cover |
|--------------|------------------|---------------|--------------|-------------------|----------------|
| 3496, 3481 | * 4758-6191 | 4716-6191 | 3496,3481 | 4758-6201 | 4716-6201 |
| 3495 Niagara | 4757A6761 | 4716A6761 | 3495 Niagara | 4757A6771 | 4716A6771 |

CS Couch Arm Rest Assemblies & Covers Flat Rate .10 Assembly - .25 Cover

| Model | Arm Rest Assy. | Arm Rest Cover |
|--------------|----------------|----------------|
| 3496,3481 | 4758-6211 | 4716-6211 |
| 3495 Niagara | 4757A6571 | 4716A6571 |

Cushion/Backrest Dimensions

| Model | Cushion Assembly | Backrest Assembly |
|-----------|------------------------|------------------------|
| 3489,3496 | 43 1/4" x 19 3/8" x 4" | 42 3/4" x 16 3/8" x 4" |
| 3481,3495 | 43" x 18 3/8" x 4" | 42 1/4" x 16 3/8" x 4" |

Couch Cushion/Backrest Dimensions

| Model | Cushion Assembly | Backrest Assembly |
|-----------|--------------------|--------------------|
| 3496,3481 | 66" x 20" x 5" | 66" x 13" x 5" |
| 3495 | 42 1/2" x 23" x 4" | 42 1/2" x 14" x 4" |

Drape Package (Less Valance Pkg.)

Note: Drape Pkg. Excludes Privacy Curtains x4

Must Order Separately

| <u>Model</u> | <u>Drape Pkg.</u> | <u># Of Panels</u> | <u>Flat Rate</u> |
|---------------------|--------------------------|---------------------------|-------------------------|
| 3488,89 | 4754F5711 | 5 | .30 |
| 3491,94 | 4755D6181 | 7 | .30 |
| 3496 | 4754E5501 | 5 | .30 |
| 3451 | 4755D6181 | 7 | .30 |
| 3481 | 4757C5531 | 6 | .30 |
| 3478 | 4755C2981 | 4 | .30 |
| 3495 | 4753F6451 | 6 | .30 |

Drape Tab C-Shape m60 - 4750-2891

Flat Rate - .05

Valance Package - 4755B2771 - 3488,3489

Flat Rate - .25 4755B2781 - 3496
 4755B2791 - 3491,3494
 4755B2801 - 3481,3451
 4755B2821 - 3478,3495

Privacy Curtain Pkg. (Set Of 2 Panels)

.15 4723G7921 - (all except 3478, 3495)
.15 4723G7901 - (3478,3495)

Single Drape Panel W/Safety Straps

.15 4716B7831 Single Drape Pnl. 43" x 45" (all except 3478,95)
.15 4716-8761 Single Drape Panel 35" x 45" 3488,3489
.15 4716B7821 Single Drape Panel 48" x 45" 3451,91,94,96
.15 4716B7851 Single Drape Panel 24" x 45" 3451,81,91,94
.15 4716A9141 Single Drape Panel 24" x 45" 3478,3495
.15 4716A9131 Single Drape Panel 48" x 45" 3495

Drape Tie Package (Qty. 1) - 4753D9801 (all except 3478,95)

Flat Rate - .05 4753D9811 (3478,3495)

Potty Curtain Pkg. 3481,3489 - 4756A8411 - 3481 Utah

(Factory Installed Potty Cab.) 4756A8401 - 3489 Santa Fe
Flat Rate - .20

Dressing room curtain - 4753C9821 - 3494 / 4756B6331 - 3495

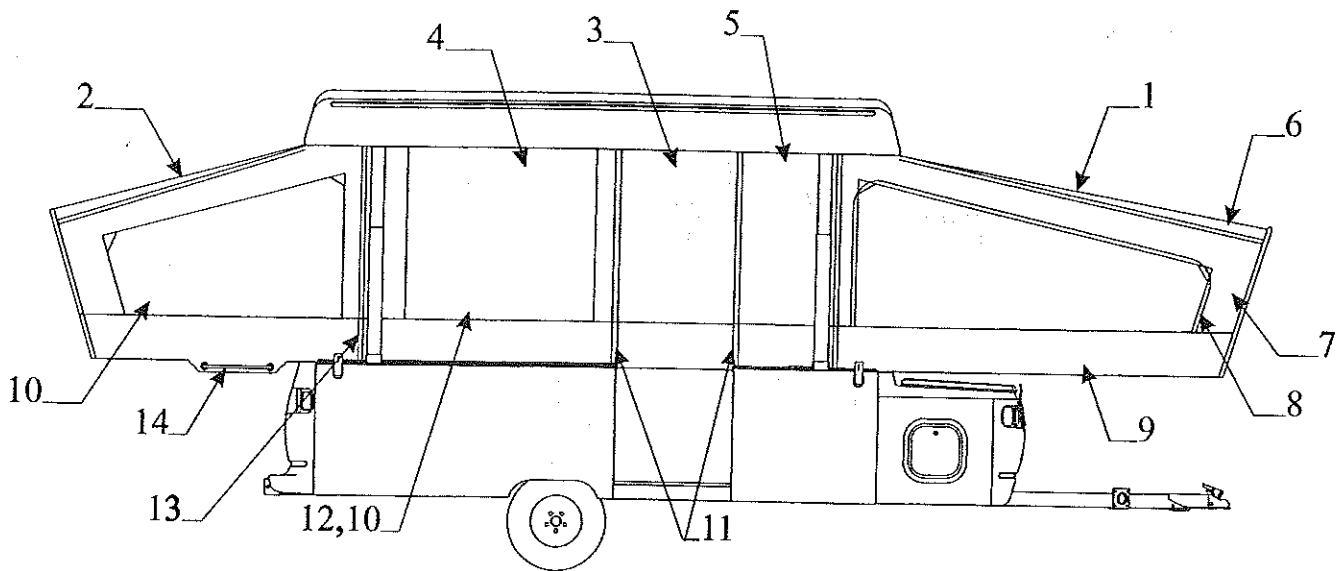
Flat rate - .20

Shower curtain "white vinyl" - 4749A6661 - 3494,95

Flat Rate - .20

Shower curtain outer "drape matl." - 4758-6321 - 3494

Flat Rate - .20 4758-6331 - 3495



| Flat Rate | Sunbrella Tenting & Components | Code | Part # | Description |
|-----------|--------------------------------|------|-------------|--|
| .40 | | 1 | 4753C5861 | front boot (all) |
| .40 | | 2 | 4753C5871 | rear boot 3488,89,96 |
| .40 | | | 4753C5861 | rear boot 3451,78,81,91,94,95 |
| .20 | | 3 | 4753B59191 | large window 3488,89,96 |
| .20 | | | 4755B64791 | large window w/tipout 3451 |
| .20 | | | 4755B55891 | large window w/tipout 3491 |
| .20 | | | 4753B58891 | large window 3494 |
| .40 | | | 4756B6751 | large window "glide-out" 3478,81,95 |
| .20 | | 4 | 4753B59291 | small window 3488,3489 |
| .20 | | | 4753B59491 | small window 3496 |
| .20 | | | 4753B58991 | small window 3491 |
| .20 | | | 4756A6761 | small window 3451,81,94,95 |
| .20 | | | 4757B5871 | small window "csr" w/tipout 3478 |
| .15 | | 5 | 4753C5931 | door seal 3488,89 |
| .15 | | | 4753C5951 | door seal 3496 |
| .15 | | | 4753C5901 | door seal 3491 |
| .15 | | | 4755A6491 | door seal 3494 |
| .15 | | | 4756B6771 | door seal "csr" 3451,78,81,95 |
| | | 6 | 8119901429P | top vinyl package (80" x 3 yards) |
| | | 7 | 4716C0851 | sunbrella patch package (12" x 14") |
| | | 8 | 6650500130F | zipper (sold/yard) used around window |
| | | | 1225-4461 | zipper pull m5 |
| | | 9 | 8118801450P | bottom vinyl facing "green" (80" x 3 yds.) |
| | | 10 | 4714E1611 | screen package (84" x 3 yards) |
| | | | 4714A0361 | screen package (84" x 13 yards) |
| | | 11 | 4350000009P | 1" velcro hook (10' pc. Pkg.) |
| | | 12 | 4716-2401 | clear window vinyl (41" x 2 yards) |
| | | 13 | 1225G3768 | 45 1/2" side zipper pin half |
| | | | 1225G3758 | 45 1/2" side zipper slider half |
| .50 | | 14 | 4060000045F | shock cord (sold/foot) |
| .50 | | | 4714C6021 | shock cord & hooks m2 (two 14' lengths) |
| .15 | | | 4724A2011 | shock cord termination (plastic hook) m10 |
| | | 15 | 4060000024F | arrowhead seal (sold/foot) |
| .30 | | 16 | 4735D6721 | extension harness |
| .50 | | 17 | 4743-1588 | k-kote seam sealer |
| | | 18 | 4728-5641 | tent retainer pkg. |
| .30 | | 19 | 4710-1001 | vinyl daubing "white" m2 |
| .30 | | | 4710-1011 | vinyl daubing "grey" m2 |
| .30 | | | 4710-1021 | vinyl daubing "green" m2 |

4753D59881 AUSA Top Assembly -3489 Santa Fe , 3488 Sea Pine
 4753E66081 AUSA Top Assembly - 3451 Mesa
 4758-5361 AUSA Top Assembly - 3478 Bayside
 4756D6001 AUSA Top Assembly - 3481 Utah
 4753D5761 AUSA Top Assembly- 3491 SunValley

4755D5191 AUSA Top Assembly - 3494 Westlake
 4753F6601 AUSA Top Assembly - 3495 Niagara
 4753D59781 AUSA Top Assembly - 3496 Cheyenne

ABS Tops Flat Rate 3.00

***S/N of top must be on Warranty Claim
 Number located on screen door storage bracket***

1.50 For A/C
 1.00 For Crossbar
 1.00 For Disposal

| Flat Rate | Code | Part # | Description |
|-----------|------|-------------|---|
| .15 | 1 | 4750A9581 | top strike x4 m2 |
| | | 4744C2461 | torx screw m2 (x2 per strike) |
| | | 1201B6958 | keps nut (x2 per strike) |
| | | 1202E0408 | washer (x2 per strike) |
| | | 4739A4191 | vinyl cap m6 (x2 per strike) |
| .50 | 2 | 4753-1211 | canopy track 137 1/2" (must cut to size) |
| .20 | 3 | 4733B4511 | steel loop m2 |
| | 4 | 4734C1861 | rivet m25 (arctic white) |
| .15 | 5 | 4744D4741 | double dome light w/mounting rivets |
| | | 4753-9861 | dome light rivet m25 |
| .10 | | 4714J0891 | dome light lens (x2 per light)) |
| .15 | 6 | 4715-6981 | screen door retaining brkt. pkg. (fit./rr.) |
| | | 4060075008F | 3/4" x 1" foam tape (sold/foot) |
| .10 | 7 | 4755A5231 | shower curtain rod (3494,3495) |
| .20 | 8 | 4749C5571 | screen door storage bracket |
| | | 4734C1861 | rivet m25 (hold brkt. to top) |
| | | 4749-2138 | snap button m2 |
| | | 1203-8631 | rivet m25 (hold snap button to brkt.) |
| .15 | 9 | 4734E5211 | screen door cable m2 |
| .50 | 10 | 4753-1221 | screen door track x2 |
| .15 | 11 | 4723B5061 | screen door strap x2 |
| | 12 | 1226D1381 | stud w/rivet |
| | 13 | 1203-9258 | accordion rivet m25 |
| | 14 | 4756-8281 | valance hook m4 |
| .25 | 15 | 4753A5961 | lift pocket assy. x4 |
| .10 | 16 | 4723A8071 | 2" x 2" velcro hook patch m4 |
| .10 | 17 | 4724D0991 | 3/4" velcro strip m4 |
| .50 | 18 | 4753C1161 | side tent track (must cut to size) |
| .50 | 19 | 4753B 1201 | tent tack front & rear |
| 2.00 | 20 | 4716-2221 | top seal m41 |
| | | 4756-2751 | top seal glue kit |
| | 21 | 4716-2171 | ABS top glue kit |
| .20 | 22 | 4753-2201 | wardrobe hanger |
| | | 1203-8531 | rivet m25 (countersunk head) |
| | 23 | 4755-5241 | curtain slide tab x10 (3494,95) |
| .15 | 24 | 4755-5221 | shower rod strap x2 (3494,95) |
| .20 | 25 | 4750-1761 | shower head bkrt. (3494,95) |
| .15 | 26 | 4755-5211 | shower rod strap x2 (3494,95) |
| .15 | 27 | 4720D4021 | lashing hook m6 |
| | | 4741D96568 | expansion rivet m25 |
| .30 | 28 | 4756-4761 | wire cover w/2 sided tape |
| | | 1203-8978 | rivet m25 (countersunk head) |
| | 29 | 4741D96568 | expansion rivet m25 |
| | | 4753-3351 | plastic spacer m12 (both ends of track) |
| | 30 | 4724F2631 | velcro hook m6 |
| .15 | 31 | 4756A8291 | aux. lamp jack w/rivets |
| | | 4060031201P | white flexible tubing pkg. (1' pc.) |
| 1.00 | 32 | 4757A5831 | roof brace & mounting hardware |
| .10 | 33 | 4716-1591 | top cover plate pkg. (2 covers & glue) |
| | 34 | 4716-1941 | ABS top repair kit (repair scratches.....) |

