

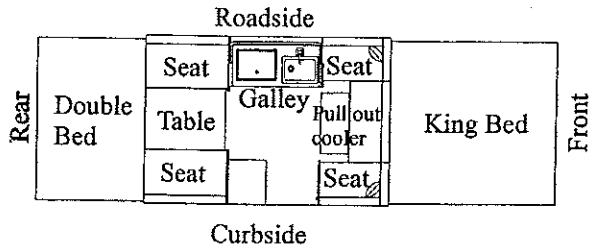
1999

Grand Tour series
Repair Parts

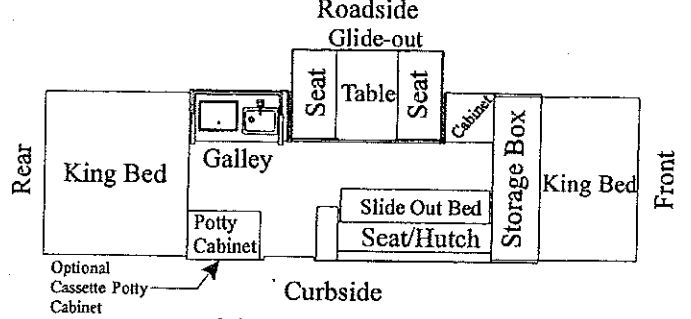
33888	Sea Pine
33889	Santa fe
33996	Cheyenne
33997	Nevada
33551	Mesa
33881	Utah
33991	Sun Valley
33994	Westlake
33778	Bayside <i>Elite</i>
33995	Niagara <i>Elite</i>

1999 GRAND TOUR SERIES

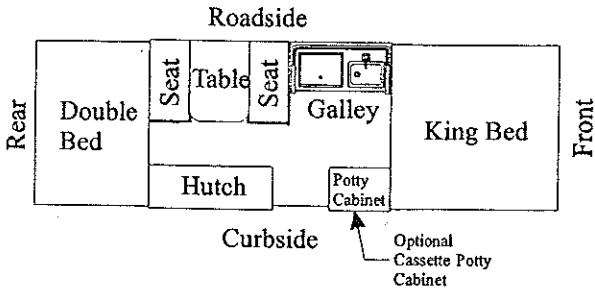
3388 Sea Pine 10'



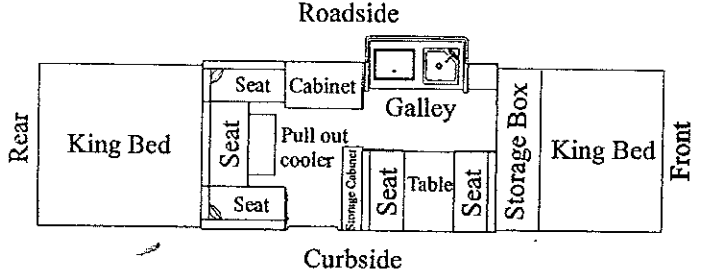
3381 Utah 12'



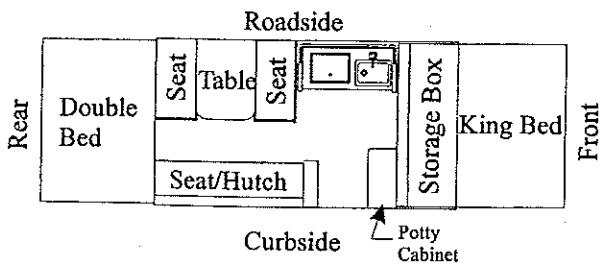
3389 Santa Fe 10'



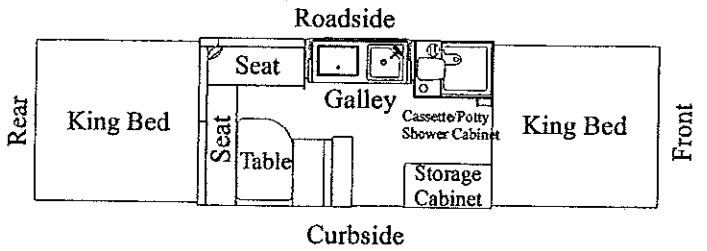
3351 Mesa 12'



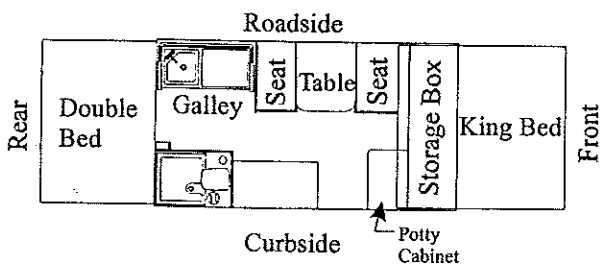
3396 Cheyenne 10'



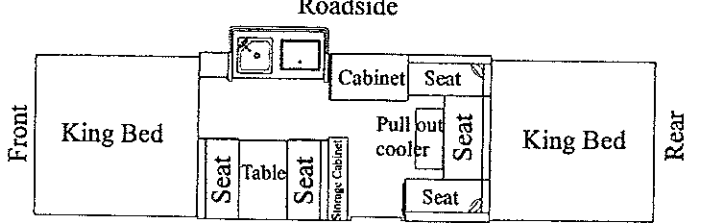
3394 Westlake 12'



3397 Nevada 10'

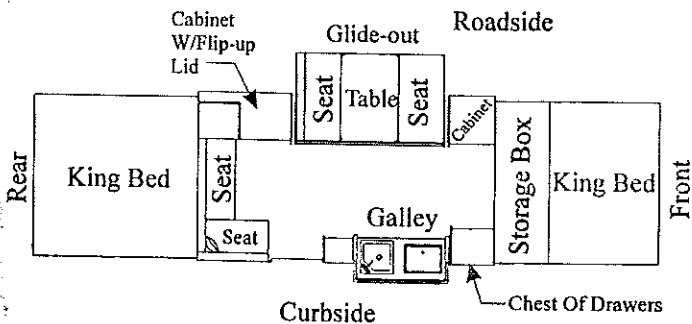


3391 Sun Valley 12'



1999 GRAND TOUR ELITE

3378 Bayside 12'



3395 Niagara 12'

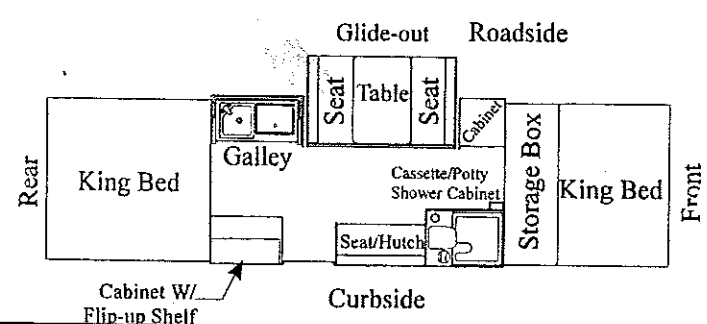


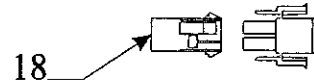
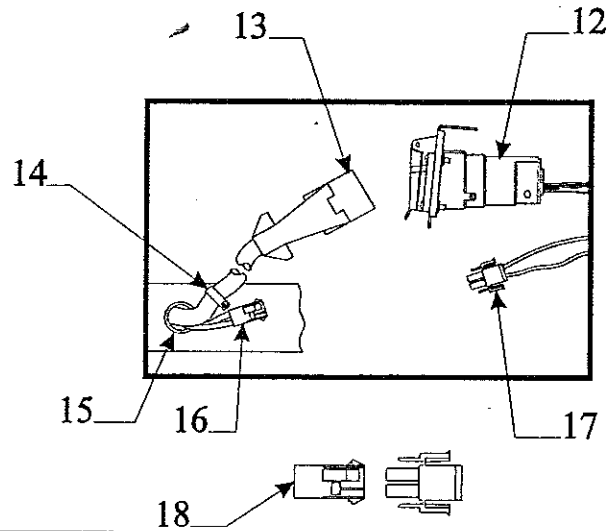
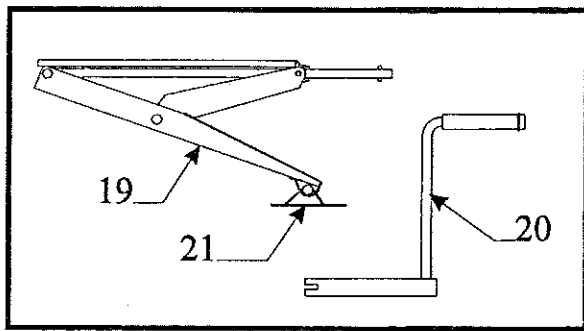
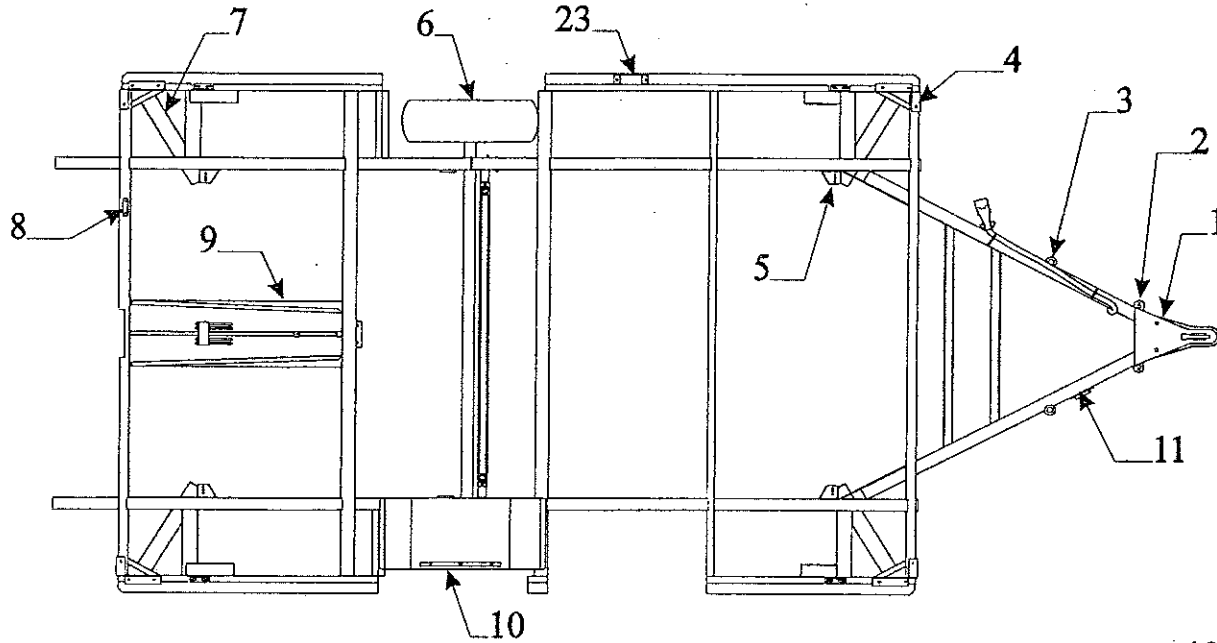
TABLE OF CONTENTS

<u>DESCRIPTION</u>	<u>PAGE</u>
Access door key	32
Access door assembly & related parts	10
Auto extension	33
Axle assemblies & related parts	6
Backrest assemblies & covers	36,37
Bed assemblies	30
Bed extensions & related parts	30
Body panel right rear (curbside)	11
Body panel left side (roadside)	12,13
Body panel front & rear (ABS plastic)	9
Body panel right front (curbside)	11
Bumper & related parts	9
Cabinet assembly	20,23
Cabinet assembly (csr cab. w/flip-up shelf)	24
Caulking	33
Converter & related parts	27
Cooler (built-in)	16,17,21,25
Cooler (cooler drawer 3351,88,91)	25
Corner bulkhead assembly	2
Coupler assembly	2
Crank-up/crank-down components	5
Crank handle	2,10
Cushion assemblies & covers	36,37
Door bulkheads	12
Drain hose (used on sinks)	14
Drape packages	38
Drawer assembly components	27
Dressing curtain	38
Electric brakes & related parts	7
Fire extinguisher & components	22
Floor covering	2
Frame assembly & related parts	2
Gas detector	26
Gas hose (gas bottle hook-up)	32
Gas bottle mounting brackets	32
Gas quick disconnect (outside stove)	33
Gas bottle cover (molded)	35
Gas bottle & related parts	33
Grease cap (dust cap)	6,7
Hub assembly & related parts	6,7
Hutch assembly (roadside 3391)	21
Hutch assembly (curbside 3389,96,81)	22
Hutch assembly (roadside 3351,78)	25
Lift assemblies & related parts	3
Lift trim & miter covers	10
Lower galley components (3388,89,96,97)	16
Lower galley components (3381,94,95)	17
Lower galley components (3391 Sun Valley) ...	18
Lower galley components (3378,3351)	19
Mattress assemblies & covers	30
Outside shower components	12
Paint (spray & quart can)	33
Paneling & trim	5
Parts package & components	32
Pigtail (car end)	32
Potty cabinet (3381,3389)	21
Potty "cassette" (3394,95,97)	24

<u>DESCRIPTION</u>	<u>PAGE</u>
Power cord (converter)	27
Receptacle (exterior)	11
Receptacle (interior)	27
Refrigerator vents	12
Regulator & fittings	32
Safety chains	32
Screen door & related parts	29
Seat component parts	26
Shower curtain	38
Shower curtain rod (3394,95,97)	40
Shower stall w/potty (3394,95,97)	24
Shower head & hose	17
Sink & related parts	14
Spare tire cover (molded plastic)	35
Spare tire mount package	32
Stabilizer assembly	2
Stabilizer handle	2
Storage box components	8
Stove components (upper galley's)	15
Stove components (h.p. outside stove)	28
Table assemblies & related parts	28
Taillights (rear body panel)	9
Tent support assemblies & related parts	31
Tenting & related parts (sunbrella)	39
Thermostat (Hydro Flame)	26
Thrust nut & bearing	3
Tie backs (curtains)	38
Tipout & glideout tent bows	31
Tire & rim	2
Tongue jack & related parts	4
Top assemblies & related parts	40
Trim tape kits	11,12
Upper galley assembly (3388,89,96,97)	16
Upper galley assembly (3381,94,95)	17
Upper galley assembly (3391)	18
Upper galley assembly (3351,78)	19
Valance package	38
Water heater	12
Water system & related parts	34
Water pump & related parts	14
Wheel well	2
Whiffletree & related parts	3
Zippers (tenting assemblies)	39

Axle/Brakes - Dexter	219/295-1900
Converter - Magnetek	800/521-3032
Furnace - Hydro Flame #7916-11 ..	800/825-4328 U.S. 800/831-7531 CAN.
Hand pump - Shurflo	800/762-8094
Stove - Atwood Greenbrier	800/646-8557
Refrigerator - Norcold #323	800/543-1219
Tires - Duro	800/966-8473
Water heater - #5031E	423/775-2131

1999 GRAND TOUR REPAIR PARTS



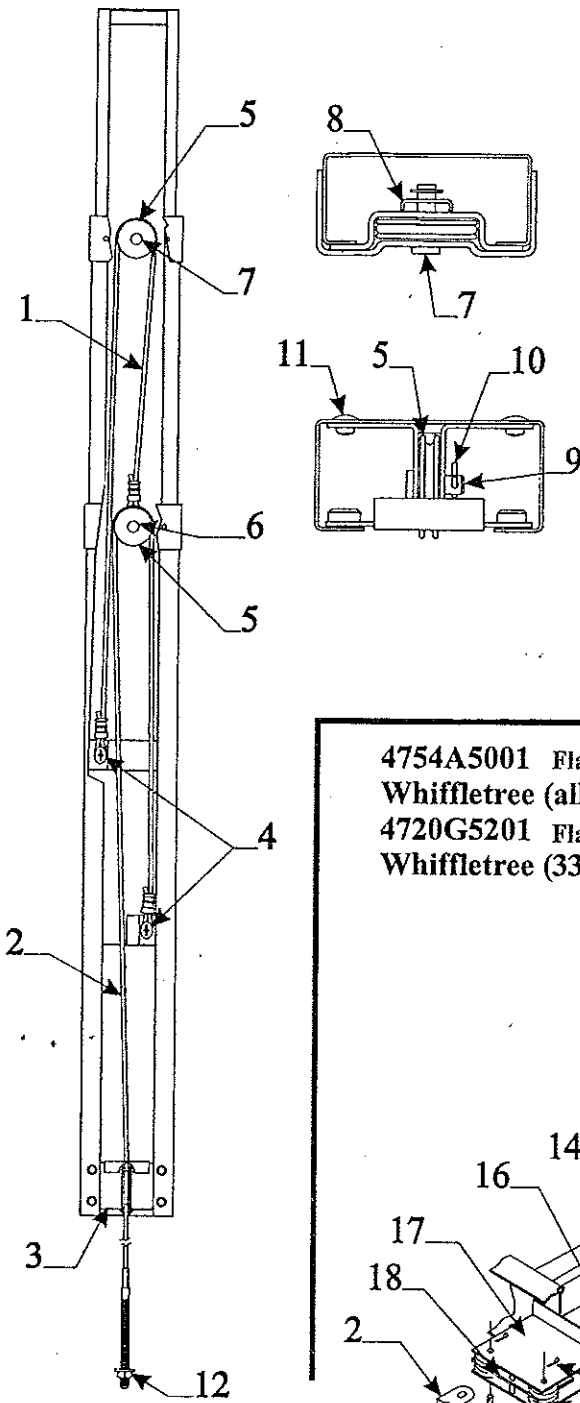
Flat Rate	Code	Part #	Description	Flat Rate	Code	Part #	Description
			Frame Assembly Component Parts				
1.50	1	4742-2001	coupler assembly	1.00	7	4755-6631	stabilizer support plate x4
.25		4714A2211	coupler repair kit	1.00	8	4758-5851	spare tire support (all except 3378,95)
.75	2	4748-6611	chain bar w/pins	.25	9	4741E5601	spare tire support 3378,95
.10	3	4747-8941	pin cover m2 (plastic)			4752B4921	whiffletree pan cover
2.00	4	4739D6081	corner bulkhead rt. rr. (3378,95)			4744-050	hex head tek screw
2.00		4739D6071	corner bulkhead lt. rr. (3378,95)	.75	10	4754C0531	wheel well assembly x2 (all)
2.00		4754A6221	bulkhead csr/rsf (all except 3378,95)			4720B3331	jack brkt. (welded to tongue)
2.00		4754A6211	bulkhead rs/csf (all except 3378,95)			4746A5591	pigtail - bargman (car end)
			Note: storage box models will use front bulkheads listed below			4753B3751	trlr. wire harness - bargman
2.00		4754A6231	bulkhead csf 3351,81,96,97,78,95			1201-8738	3/8" clamp
2.00		4754A6241	bulkhead rsf 3351,81,96,97,78,95			1203-8968	aluminum rivet m25
		1203C8751	rivet m25 (rivet bulkhead to frame)			4742-8108	1 1/4" snap bushing
.75	5	4732D3671	adjustable pulley brkt. x4	.15	15	4716A5001	12 volt power harness
.25		4715A5371	pulley & bearing m10			4749B5531	12 volt wire harness m2
		4720C1578	short pin m4	.25	18	4716A4701	12 volt cap & plug m2
		1204B1081	cotter pin m10			4751A3351	stabilizer assy. (screw down)
.25	6	4753-8168	tire & rim 13" ld "C" 3388, 89, 96,97			4751-8208	tapping screw (3 per screw)
.25		4753C8168	tire & rim 13" ld "D" 3351,78,81,94,95	.40	20	4747F4141	crank handle
.05		4757-0501	custom trim rings x2 3378,95			4755-6841	sand shoe (set of 4)
						22	*6610707225P floor covering pkg. (7 1/2' x14')
						23	4720J1531 side bulkhead

1999 GRAND TOUR REPAIR PARTS

Flat Rate 1.25 Per Lift Assembly

4716-0031 lift assembly roadside rear/curbside front (all)

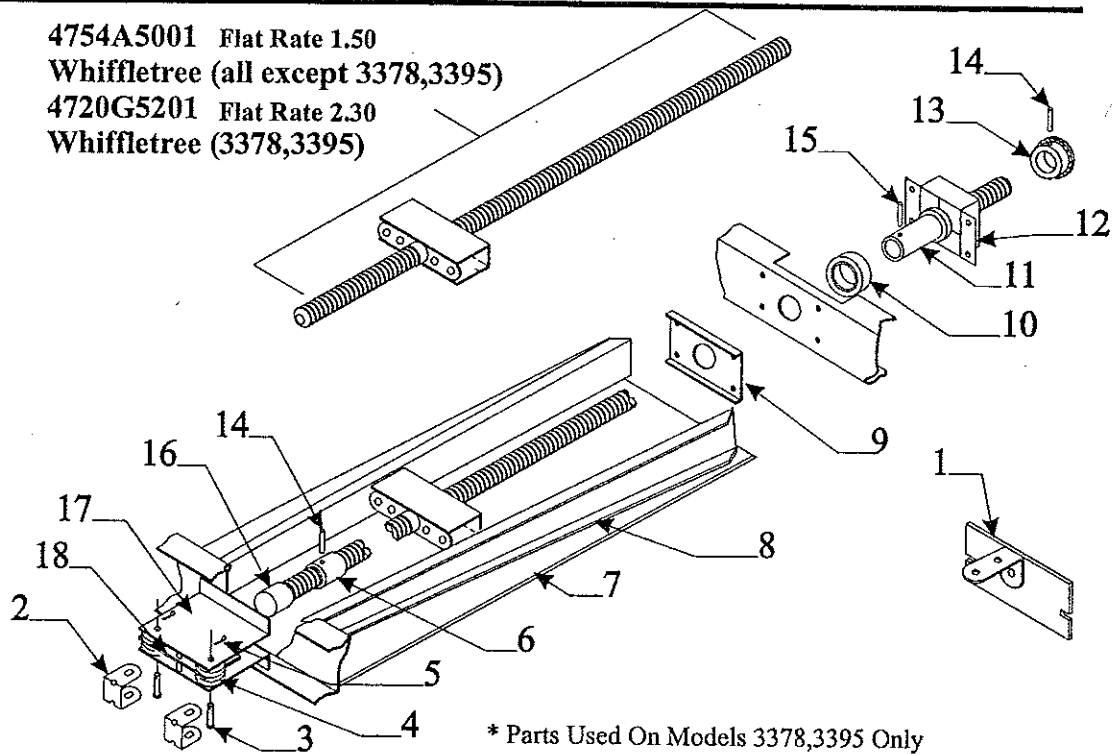
4716-0041 lift assembly roadside front/curbside rear (all)



Flat Rate	Lift Assembly Code	Component Part #	Description
.75	1	4720D5271	cable assembly x1 m2
		4720C1691	cable crimp m20
1.25	2	4754A6121	184" long cable & crimp
		4744-1318	copper cable crimp m10
1.25	3	4731C5801	butterfly bracket assy.
.05	4	4749-2081	screw m6
.50	5	4715A5371	steel pulley & bearing m10
.25	6	4747-8931	long pin x2
		4730B0981	retaining ring m12
.25	7	4749-4061	short pin m4
		4730B0981	retaining ring m12
.25	8	4749A2028	retaining clip
.45	9	4720C1578	lift pin m4
	10	1204B1081	cotter pin m10
	11	1203-8641	rivet m25
	12	1201B6378	1/4" lock nut
		1202E0408	washer

4754A5001 Flat Rate 1.50
Whiffletree (all except 3378,3395)

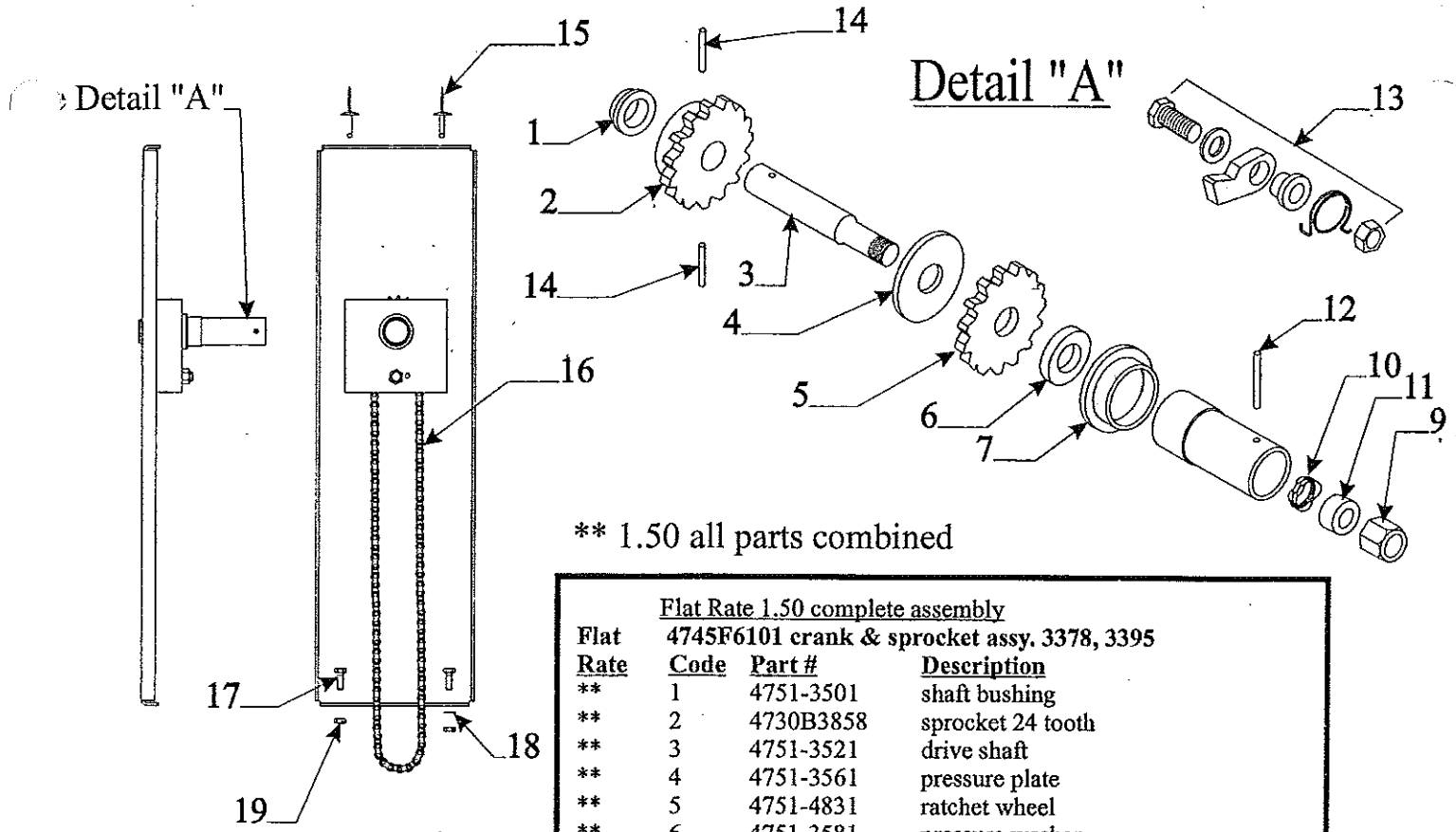
4720G5201 Flat Rate 2.30
Whiffletree (3378,3395)



* Parts Used On Models 3378,3395 Only

Flat Rate	Whiffletree & Related Parts Code	Part #	Description	Flat Rate	Code	Part #	Description
.15	1	4749A821	mud flap & brkt.	1.50	10	*4720B2421	thrust nut bearing
.50	2	4744B1741	cable retainer x2	1.50	11	*4720B2388	thrust nut
.20	3	4720J1561	long pin m4	1.50	12	*4720B2408	bearing housing
.50	4	4715A5371	pulley & bearing m10	1.00	13	*4730B3848	sprocket 12 tooth
.10	5	1204B1081	cotter pin m10		14	*4720D1481	roll pin m10
1.60	6	4710B4248	bushing	1.00	15	*4744A1301	shear pin m10
		4720D1481	roll pin m10	2.00	16	4730D1291	screw socket (welded)
.25	7	4752B4921	whiffletree pan cover	2.00	17	4720-1551	pulley plate
.25	8	4720F237	pan cover side (welded)	.50	18	4715D5661	pulley spacer
	9	*4720C2418	plate				

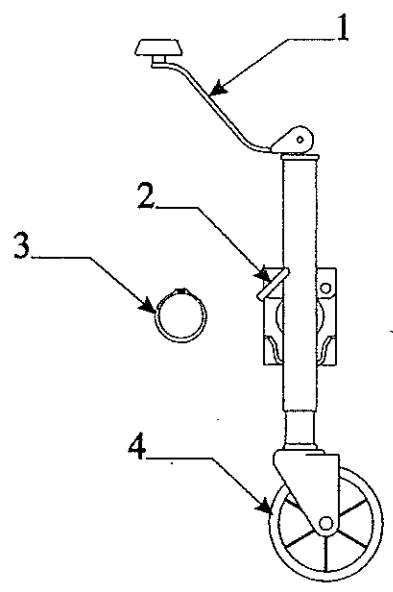
1999 GRAND TOUR REPAIR PARTS



** 1.50 all parts combined

Flat Rate 1.50 complete assembly
4745F6101 crank & sprocket assy. 3378, 3395

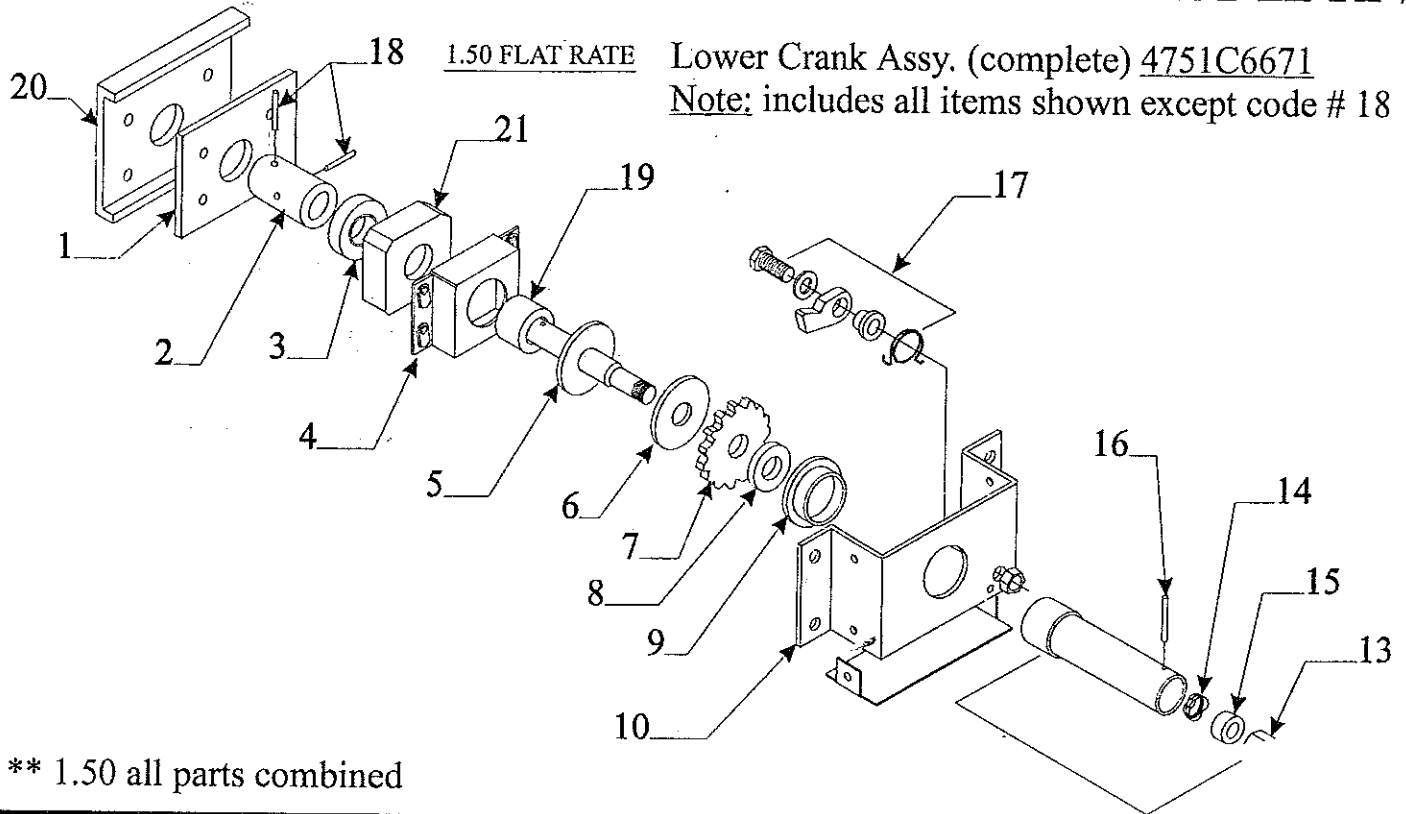
Flat Rate	Code	Part #	Description
**	1	4751-3501	shaft bushing
**	2	4730B3858	sprocket 24 tooth
**	3	4751-3521	drive shaft
**	4	4751-3561	pressure plate
**	5	4751-4831	ratchet wheel
**	6	4751-3581	pressure washer
**	7	4751-3591	shaft bushing
.75	8	4751-6511	drive hub extension pkg.
Note: package includes parts marked w/asterisk (*)			
	9	*4751-3551	hex head nut
	10	*4752-3921	handle spring
	11	*4751-4671	nylon spacer x1
	12	*4747A9451	spiral roll pin m6
.60	13	4716-1221	ratchet pawl package
	14	4720D1481	roll pin m10
		4744A1301	shear pin m10
1.50	15	1203C8721	rivet m25
	16	4755-1431	chain (w/connecting link)
		4730A3811	connecting link
	17	4731-3878	hex head bolt x2
	18	1202B0438	washer
	19	1201B6038	hex head nut



Flat Rate .10 Jack Removal
Tongue Jack Assembly (4720C6661) "Norco"

Flat Rate	Code	Part #	Description
.15	1	4716-1951	jack handle kit
.15	2	4716-1981	locking plunger kit
.10	3	4720A3341	snap ring
.25	4	4716-1971	jack wheel nut & bolt

1999 GRAND TOUR REPAIR PARTS

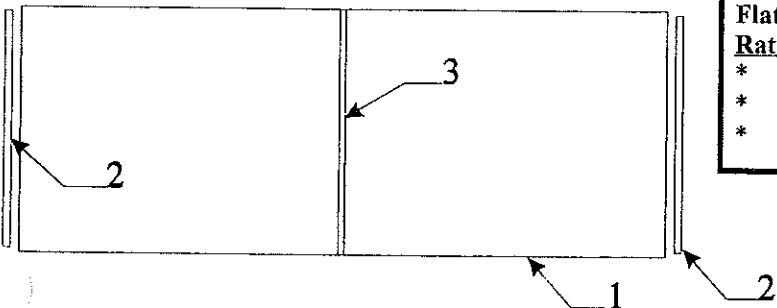


1.50 FLAT RATE

Lower Crank Assy. (complete) 4751C6671
 Note: includes all items shown except code # 18

** 1.50 all parts combined

Flat Rate	Code	Part #	Description	Flat Rate	Code	Part #	Description	
			Crank Up/Crank Down Component Parts (all except 3378, 3395)					
	1	4756-8321	bearing housing plate		11	4751-3721	housing cover plate	
1.50	2	4756-8301	coupler bushing	**		1203-8641	rivet m25	
1.50	3	4720C2421	thrust bearing	.75	12	4716A1741	drive hub extension pkg.	
**	4	4750A9251	bearing housing			Note: pkg. Includes parts marked w/* asterisk		
**		4738A0898	hex bolt x4		13	*4751-3551	5/8" nut	
**	5	4751-3701	driveshaft	.50	14	*4752-3921	handle spring x1 m2	
**	6	4751-3561	pressure plate	.50	15	*4751-4671	nylon washer x1	
**	7	4751-4831	ratchet wheel	.10	16	*4747A9451	spiral roll pin x1 m6	
**	8	4751-3581	pressure washer	.60	17	4716-1221	ratchet pawl pkg.	
**	9	4751-3591	shaft bushing	1.00	18	4744A1301	shear pin x1 m10	
**	10	4751A3691	crank housing	1.50	19	4756A8311	spacer bushing	
		4731-3878	hex head bolt x4		20	4750A9261	plate "painted"	
		1201B6038	lock nut x4	1.50	21	4756-8441	bearing house square spacer	

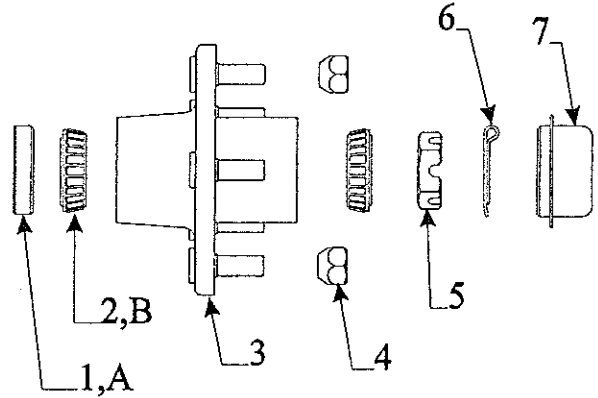


Flat Rate	Code	Part #	Description
Paneling & Trim (Must Cut To Size)			
*	1	4754A1361	universal wall panel 48" x 23 13/16"
*	2	4716A1321	universal corner divider m2 48" pc.
*	3	4715A1331	universal panel divider m2 48" pc.

* Prior Authorization Needed

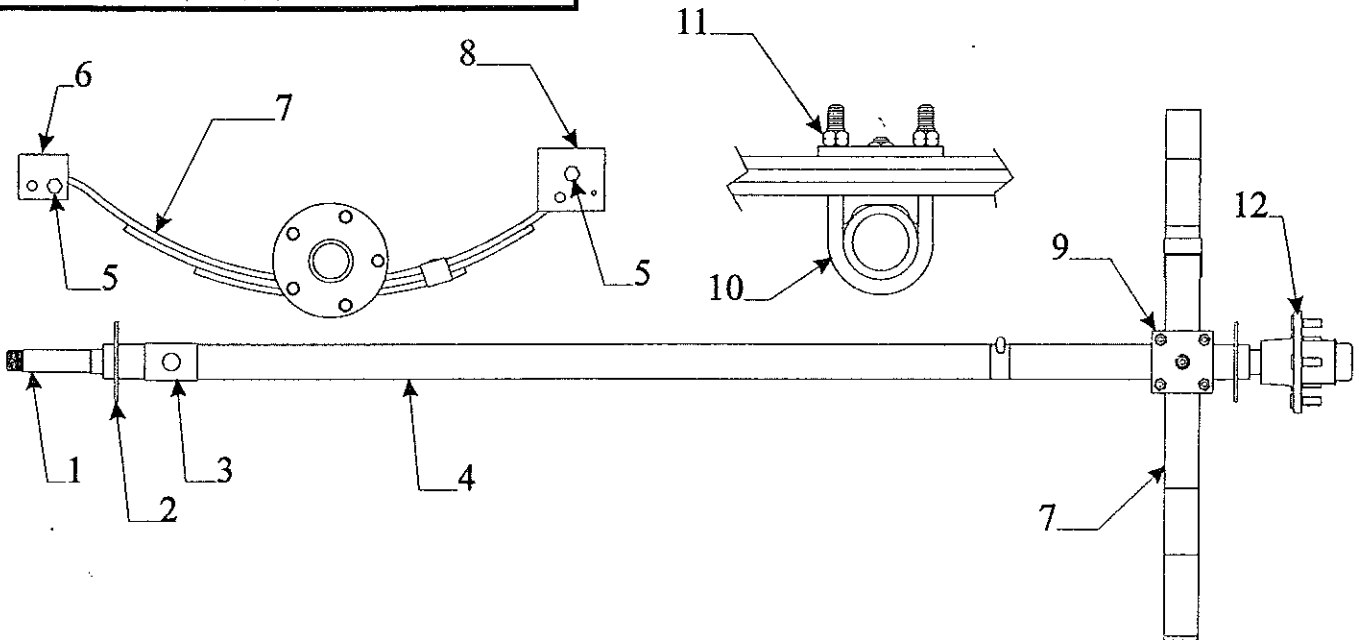
1999 GRAND TOUR REPAIR PARTS

Flat Rate	Code	Part #	Description
Idler Hub Assembly & Related Parts - 3388,89,91,96,97			
.50	1	4714A2201	grease seal x1 m4 (3388,89)
.50		4716-1441	grease seal x1 m4 (3391,96,97)
.50	2	4716-1101	bearing, race & seal pkg. (3388,89)
.50		4716-1451	bearing, race & seal pkg. (3391,96,97)
.30	3	4738D0451	hub & lug nuts (3388,89)
.30		4716-1201	hub & lug nuts (3391,96,97)
.05	4	4747A9528	lug nuts x5(all)
.10	5	4714-3068	slotted spindle nut x1 (all)
.10	6	1204-1268	cotter pin x1 (all)
.05	7	4714B0621	dust cap m4 (all)



Crossover Numbers To Purchase Locally

- A** 13194TM or 198138SP21 Grease Seal (3388,89)
171255VB Grease Seal (3391,96,97)
- B** L44649 Bearing (3388,89 x2/ 3391,96,97 x1)
L68149 Bearing (large inner x1 3391,96,97)
- C** L44610 Race (3388,89)

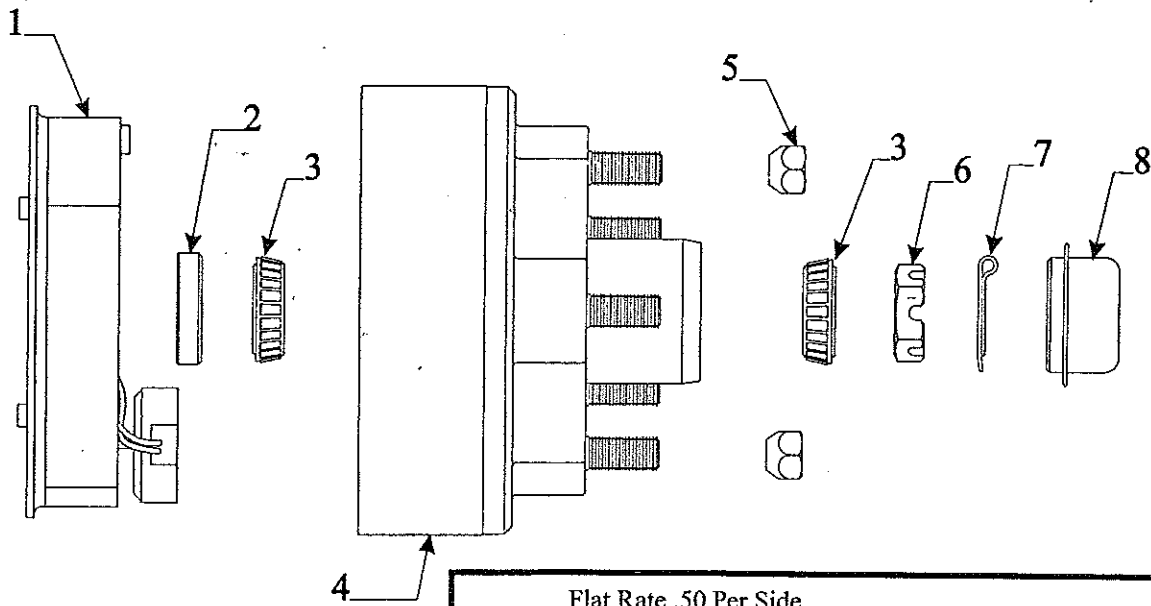


- 4741G6301 Axle Assembly (Complete) - 3388,3389 F.R. .75
 - 4756A1101 Axle Assembly (Complete) - 3396,3391 F.R. .75
 - 4730U3011 Brake Axle Assy. (Complete) - 3351,78,81,94,95,97 F.R. 1.25
- NOTE: Axle Assy. 4756A1101 / 4730U3011 limited parts stocked
refer to Dexter Axle for required part (s) phone - 219/295-1900**

Flat Rate	Code	Part #	Description	Flat Rate	Code	Part #	Description
*	1	4741B8491	spindle (3388,3389)	2.00	6	4741A3398	spring shackle "rear" (all)
*	2	4741A8471	brake plate (3388,3389)	.75	7	4735G2201	leaf spring (3388,89)
*	3	4741-8461	spring pad channel m2	.75		4735G22081	leaf spring (all except 3388,89)
1.00	4	4741F6251	axle beam (3388,3389)	2.00	8	4741C3398	spring shackle "front" (all)
.25	5	4737A1318	shackle bolt (all)	.50	9	4741-8458	u-bolt plate (3388,89)
		4741-9498	shackle bolt nut (all)	.25	10	4741A8438	u-bolt (3388,89)
					11	4741-9358	u-bolt nut (3388,89)
					12	Note: refer above for hub & components	

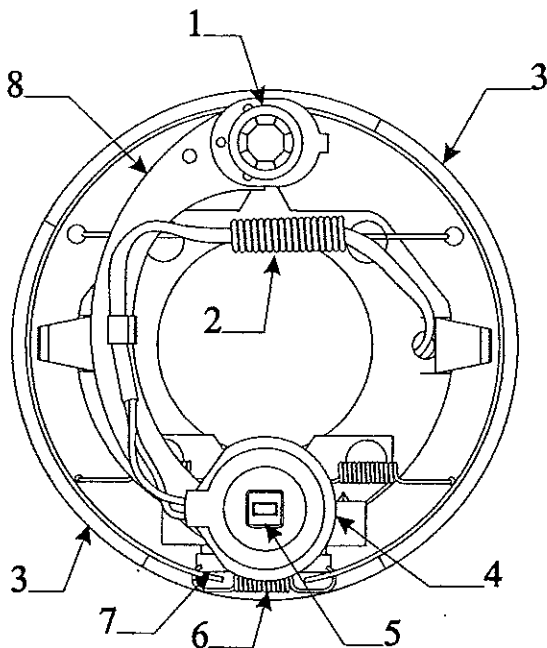
* PRIOR AUTHORIZATION NEEDED

1999 GRAND TOUR REPAIR PARTS



Flat Rate .50 Per Side
Electric Brake Pkg. 7 x 1 1/4" (4714H2011)
Electric Brake Pkg. 10 x 2 1/4" (4714J2011)

Flat Rate	Code	Part #	Description
.50	1	4733A3521	7" brake assembly (right hand)
.50		4733A3531	7" brake assembly (left hand)
.50		4716-6251	10" brake assembly (right hand)
.50		4716-6261	10" brake assembly (left hand)
.50	2	4714A2201	grease seal x1 m4
.50	3	4716-1101	7" bearing, race & seal pkg.
.50		4716-1451	10" bearing, race & seal pkg.
.30	4	4716A1071	7" hub & drum x2
.30		4716-1431	10" hub & drum x2
.05	5	4747A9528	lug nuts x5
.10	6	4714-3068	slotted spindle nut x1
.10	7	1204-1268	cotter pin x1
.05	8	4714B0621	dust cap m4

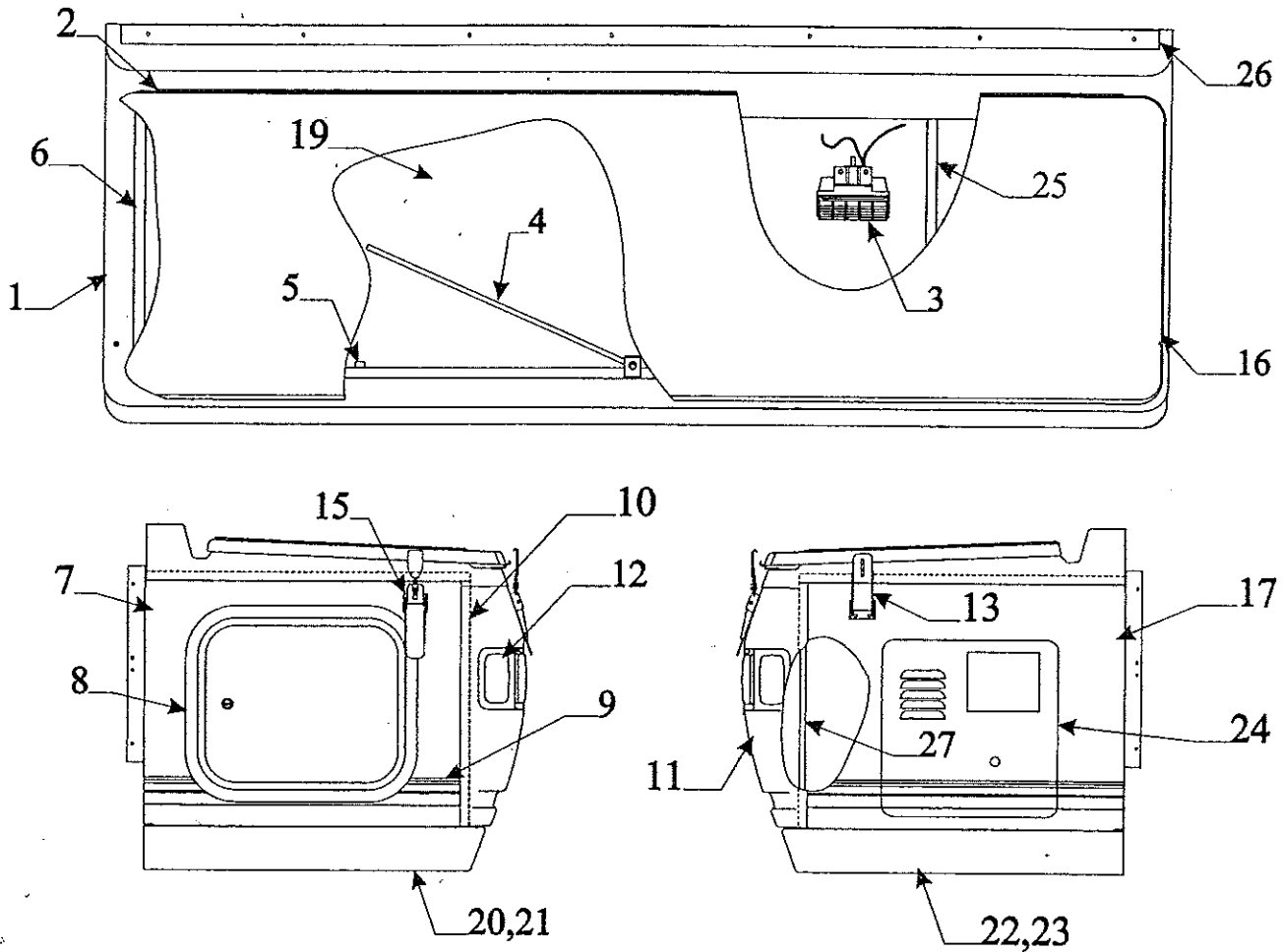


Flat Rate .50 Per Side
Electric Brake Components

Flat Rate	Code	Part #	Description
	1	*4714A2461	anchor post clip m2
	2	*4714A2411	retractor spring
.40	3	*4714B2071	7" x 1 1/4" brake shoe (set)
.40		4716-2871	10" x 1 1/12" brake shoe (set)
.40	4	*4714D2451	7" magnet, spring & clip pkg.
.40		4716-2881	10" magnet, spring & clip pkg.
.30	5	*4714B2471	retainer clip m2
	6	*4714A2101	adjusting screw spring
	7	*4714A2041	adjusting screw
	8	*4714A2841	rt. & lt. lever arm pkg.
.30	9	*4714B2421	magnet housing spring (part not shown)

***Note: parts used on 7 x 1 1/4" brake only refer to Dexter Axle for 10 x 2 1/4" brake components - Phone 219/295-1900**

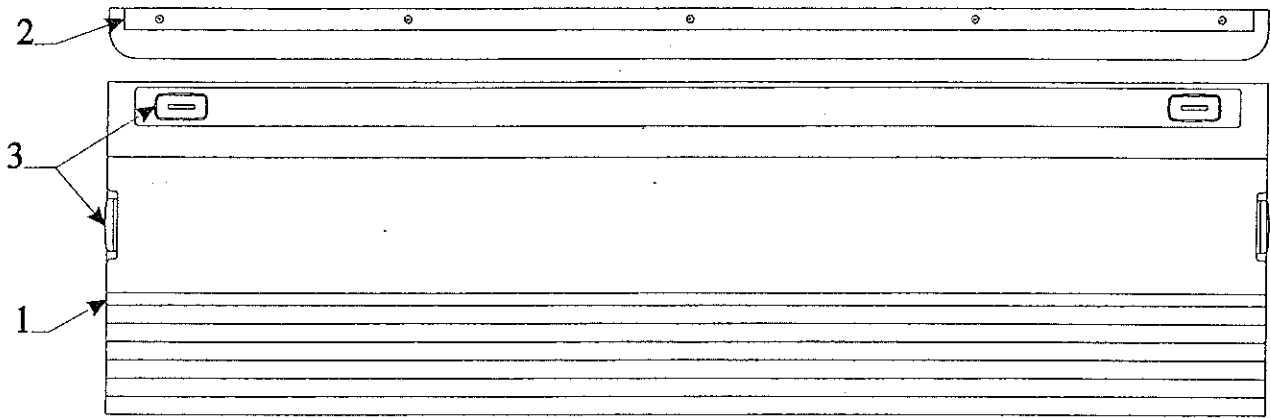
1999 GRAND TOUR REPAIR PARTS



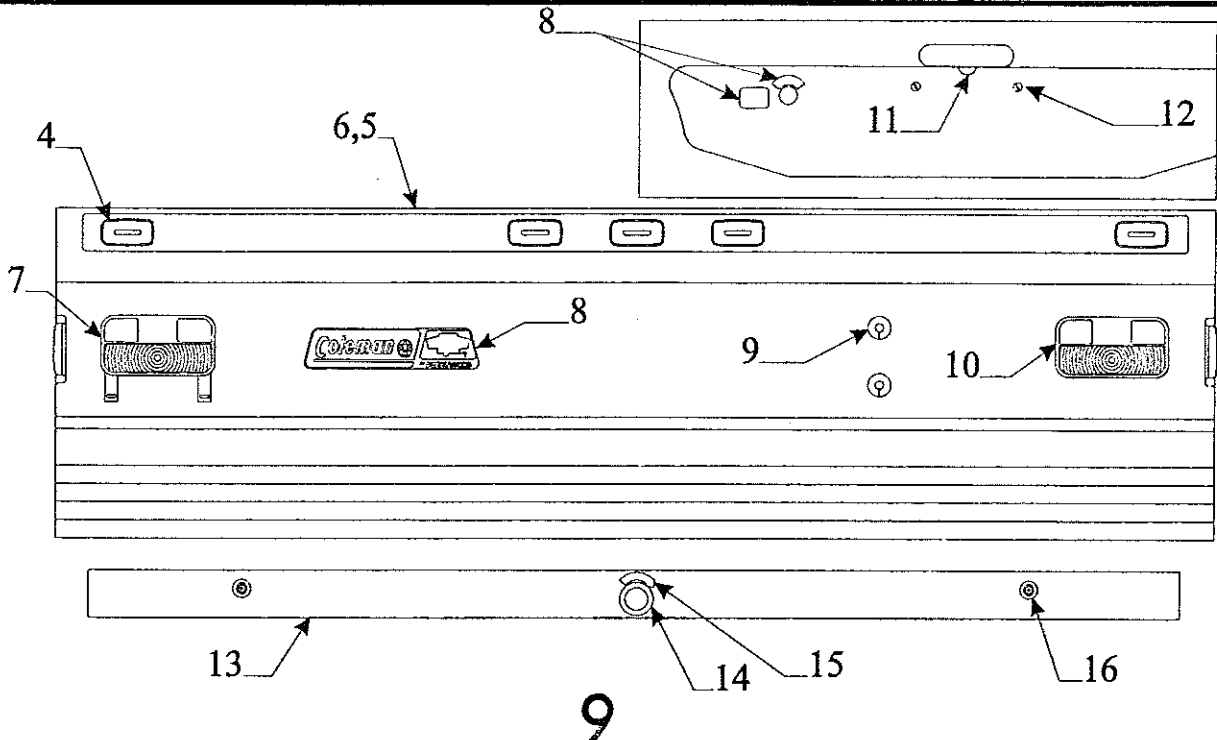
Storage box components - 3351,78,81,95,96,97

Flat Rate	Storage Box Component parts	Flat Rate	Code	Part #	Description
1.50	1 4753E5851 lid/deck assy. (Complete)	.15	12	4714H08481	amber lens & base
.65	2 4753B1301 lid hinge	.15	13	4741C6041	latch w/out lock tab x3
	1014T10068 machine screw x13			4741A9101	hex head tek screw m10
	1201B6958 keps nut x13			4744B2468	screw x4 (side latches)
.25	3 4751-0921 cargo light	.15	14	1201B6958	keps nut x4 (side latches)
	4741D96568 expansion rivet m25			4749B1441	strike m2
	4 4751B1181 prop rod	.15	15	4741D96568	expansion rivet m25
	4751-1208 push nut	.40	16	4715F5051	latch w/lock tab (cs only)
	4751-1191 prop rod bracket	1.80	17	4060000588P	lid seal package (12' pc. Pkg.)
.10	5 4720A0721 cooler clip m2	1.50	18	4754E1981	rs ABS side pnl.
.40	6 4060000404P deck seal pkg. (20' pc.)		19	4754-2001	floor seam divider 86" pc.
1.80	7 4754E1971 cs ABS box side panel	.25	20	4716-1761	floor covering 4' x 7 1/2' pc.
.45	8 4751C0981 compartment door (less lock)	.25	21	4755B3991	skirt curbside "side" 3378,95
	4734C1861 rivet m25 (hold dr. to pnl.)	.25	22	4755A4001	skirt curbside "front" 3378,95
	4350000028P 3/4" butyl tape (6' pc. Pkg.)	.25	23	4755B3971	skirt roadside "side" 3378,95
.15	4751-8301 lock assembly w/key	.25	24	4755A3981	skirt roadside "front" 3378,95
	9 4716-4971 trim tape (3' pc.)	.25	25	4716-1331	water heater door
	10 4358800015P ABS joint tape (16' pc. Pkg.)	.25	26	4756-8331	water heater divider wall
1.50	11 4754B1531 ABS body panel (all)	.25	27	4754B1041	front end rail
				4754A5601	front wood wall panel (all)

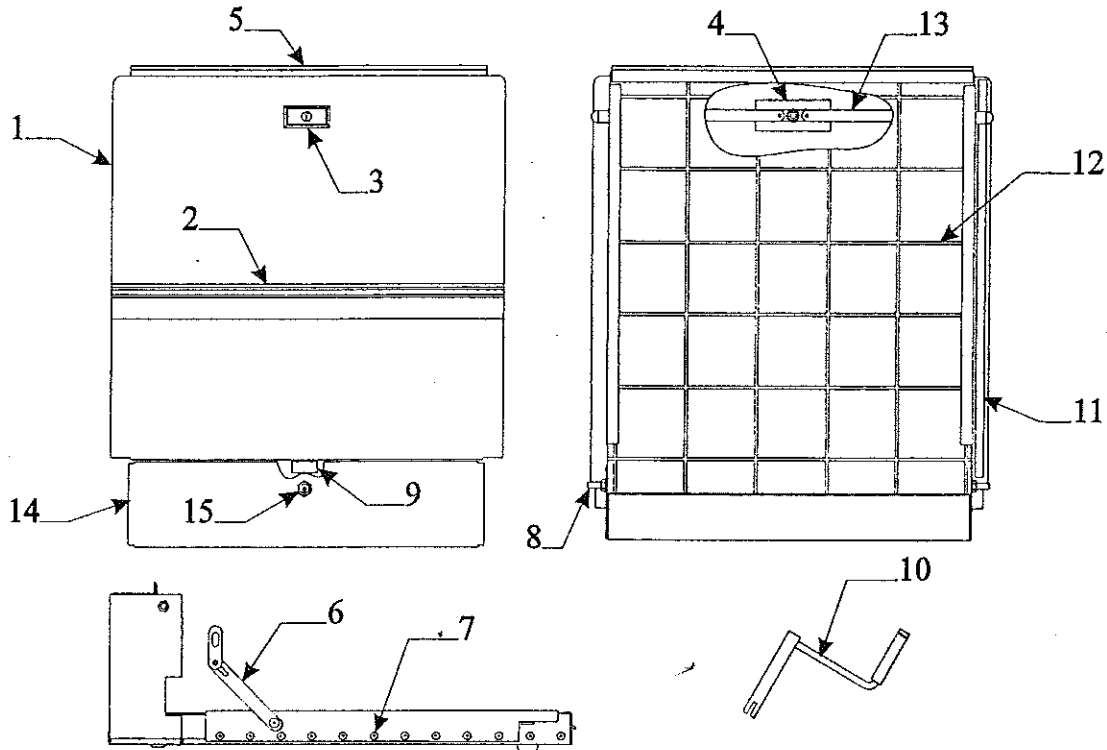
1999 GRAND TOUR REPAIR PARTS



* 1.50 Flat Rate Front Panel / 2.50 Rear Panel				Flat			
Flat Rate	Code	Part #	Description	Rate	Code	Part #	Description
*	1	4716U0951	frt & rr body pnl. (SEE NOTE)	.20	9	4754-3871	foam gasket m2
			Note: refer to page 8 for frt. pnl. on box models		10	4749B4321	taillight (all)
.75	2	4754B1041	front end rail (all)	.10		4716A1061	taillight lens
		1107E10128	10 x 3/4" screw "ss" (x5 per rail)			4747-2558	expansion rivet m25
.15	3	4714H08481	amber marker light x4	.15	11	4739B4311	tag light 3378,3395
.10		4716-4571	amber lens (lens only)	.05	12	4732-1181	plastic grommet m4 3378,3395
.25		4733H1311	socket & harness	.05		1121C1618	license plate screw x2
		4747-2558	expansion rivet m25	.30	13	4754D0211	bumper 3378,89
.15	4	4714H08581	red marker light x7	.30		4756-2371	bumper 3351,81,91,94,96,97
.10		4716-4561	red lens (lens only)	.40		4753C2031	bumper w/out end caps 3378,95
			refer: to code # 3 for hardware	.10		4753A2041	bumper cap & rivet (left)
*	5	4716U0951	rear body pnl. (all except 3378,95)	.10		4753A2051	bumper cap & rivet (right)
		4750A87381	rear body pnl. 3378,3395	.10	14	4733-2741	2" snap bushing
.15		4737C4451	panel gasket (x2 per pnl.)	.10	15	4730H3188	"open" decal
.75	6	4754A1041	rear end rail (all except 3378,95)	.25	16	1032B24248	bolt x2
.75		4720T1791	rear end rail 3378,3395			1202B0468	washer x6 m10
.20	7	4743C1311	taillight w/holder (all except 78,95)			1202B1068	washer x2
.10		4716A1051	taillight lens			1201B6068	nut x2
		4747-2558	expansion rivet m25		17	4755A1581	frame cap bracket (not shown)
.25	8	4716L2151	frt./rr. decal & hardware kit				



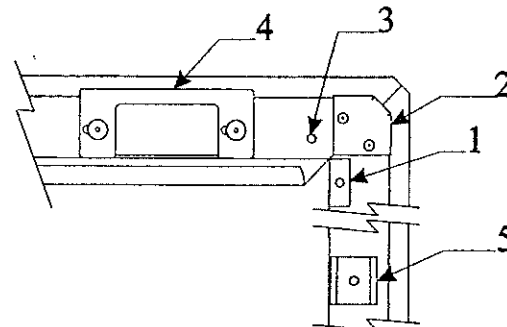
1999 GRAND TOUR REPAIR PARTS



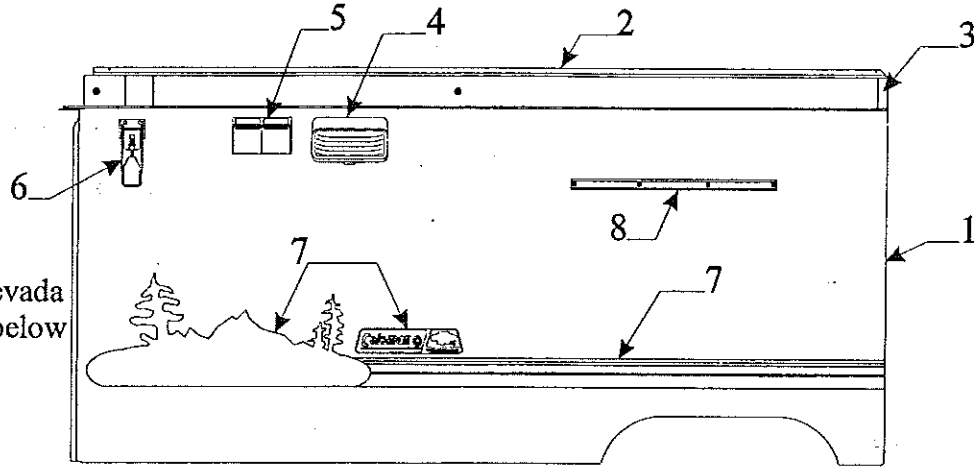
4754-6931 Access Door Assembly "complete" less trim tape (all except 3378,95) FLAT RATE 1.25 complete door assembly
4750C66581 Access Door Assembly "complete" less trim tape (3378,95 only) FLAT RATE 1.25 complete door assembly

Flat Rate	Code	Part #	Description	Flat Rate	Code	Part #	Description
.00	1	4754A4741	door skin (all except 3378,95)		8	1006B2428	bolt x2
1.00		4750C4821	door skin (3378,95 only)			1201B5188	nut (to affix bolt to door)
	2	4716-4971	trim tape pkg. (3' pc.)			1201B6448	nut (affix door to to trailer)
1.00	3	4730C3111	lock handle (with key)			1202B0468	washer m10
		4716-056	screw x2	.10	9	4747A2521	latch angle w/rivets
		1201B6958	keps nut x2		10	4747F4141	crank handle (all)
1.00	4	4741-1438	reinforcement plate	.20	11	4060025006P	foam tape pkg. (4' pc.)
.25	5	4731M2331	access door cap	1.00	12	4750B9351	floor covering (all)
		1203-8641	rivet m25	1.00	13	4741-6551	lock bar assembly
.15	6	4744-6981	swing arm pkg. (w/rivet & washer)	.25	14	4754-6921	lower dr. w/hinges - less lock (used on all except 3378,95)
		1203C8721	rivet m25			1203-8951	rivet m25 (affix door in place)
		1202B0468	washer m10		15	4751-8301	lock assembly w/key
	7	4733G0601	rivet "blk" m25 (all except 3378,95)	.25			
		4733D0601	rivet "white" m25 (3378,95 only)				

Flat Rate	Code	Part #	Description
.15	1	4754-8491	plastic bed rest & screw
.15	2	4737G9111	miter cover m4
		1203-8641	rivet m25
	3	4741A9101	hex head tek screw m10
.25	4	4734H4111	lift trim m4
		4753A3941	rubber gasket m4
		1203-8831	rivet m25
		4350000082P	1/4" x 1/4" foam tape (4' pc.)
.15	5	4754-8921	plastic bed ramp & screw



1999 GRAND TOUR REPAIR PARTS

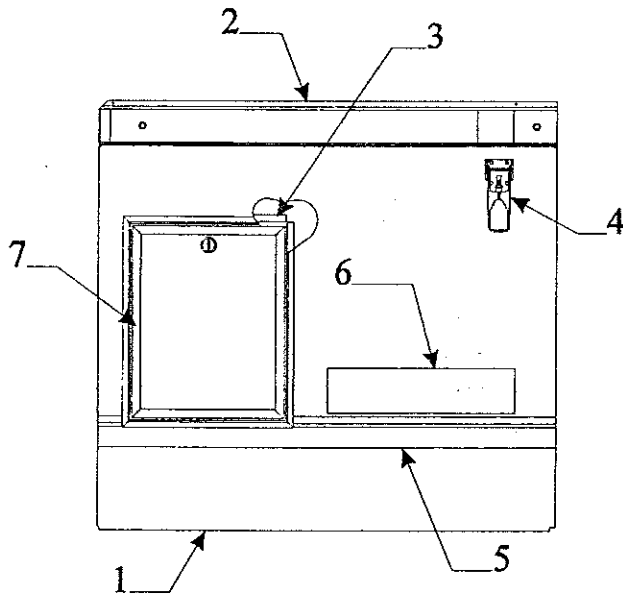


* Note: model 3397 Nevada potty hatch door refer below for this item

Curbside Rear Body Panel Components				Curbside Front Body Panel Components			
Flat Rate	Code	Part #	Description	Flat Rate	Code	Part #	Description
1.00	1	4754C0151	csr body panel 3388,89	.25	4	4752-9921	porch-light
1.00		4756-4361	csr body panel 3351,81	.10		4716-5511	porch light lens
1.00		4754C2131	csr body panel 3394,91	.25	5	4746A3861	duplex cover & outlet
1.00	**	4754C1601	csr body panel 3396	.35		4746-3871	duplex box
1.00	***	4754D1601	csr body panel 3396			1203-8678	rivet m25 (rivet box to pnl.)
1.50	*	4757-1081	csr body panel 3397	.15	6	4741C6041	top latch (w/o lock tab)
1.00		4755-3471	csr body panel 3378,95			4749-4848	foam pad
1.00	2	4754E0991	csr body rail 3388,89			4741A9101	tek screw m10
1.00		4756-4331	csr body rail 3351,81	.50	7	4716L2101	trim tape & hardware kit
1.00		4754C2241	csr body rail 3394,91	.25	8	4750A8481	stove support brkt.
1.00		4754D1561	csr body rail 3396			4745-3968	screw
1.00		4755A3511	csr body rail 3378,95			4744C2461	torx screw m2
.10	3	4723A8071	velcro hook 2x2 m4			1201B6958	nut x2
.10		4350000005F	3/4"velcro hook (sold/yard)				

** Used on 3396 prior to s/n - 56486

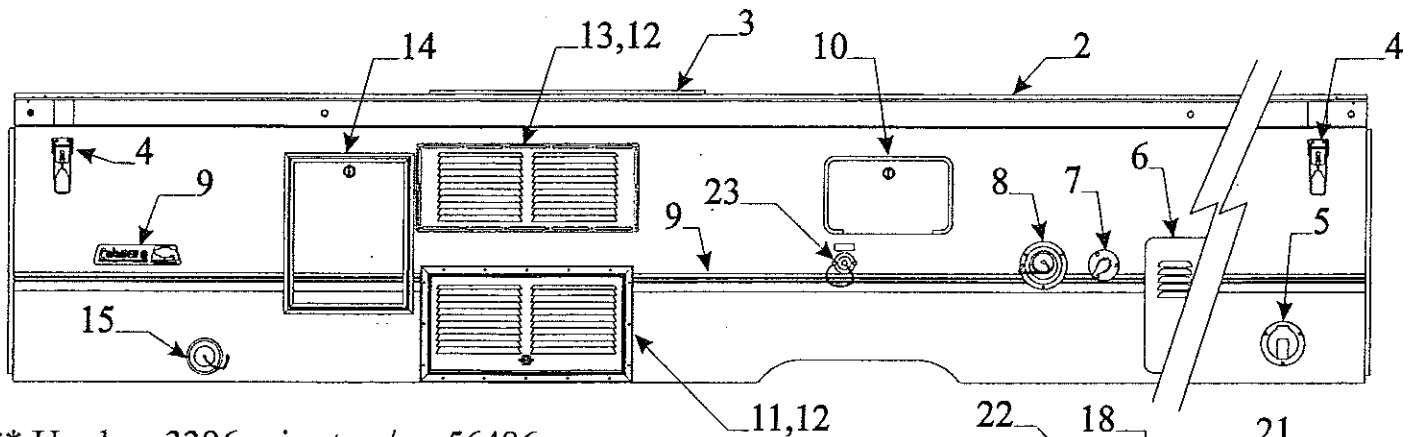
*** Used on 3396 starting w/s/n - 56486 thereafter



.50	7	4716-1831	potty door & frame 3395
		4350000028P	3/4" butyl tape pkg. (6' pc.)
		4060000029P	black d-seal pkg. (6' pc.)
.15		4754-4911	lock & o-ring

Flat Rate	Code	Part #	Description
.85	1	4754-8501	csf body panel 3388,89
.85		4756-4351	csf body panel 3351,81
.85		4754B2121	csf body panel 3394,91
.85		4754B1581	csf body panel 3396,97
1.00		4755E0431	csf body panel 3395
.85		4755-3461	csf body panel 3378
1.00	2	4754E0981	csf body rail 3388,89
1.00		4755A3501	csf body rail 3351,81,95
		4755C3501	csf body rail 3378
1.00		4754C2231	csf body rail 3394,91
1.00		4754E1571	csf body rail 3396
		Note: refer to code # 2,3 above for velcro	
	3	4746F5121	shroud 3395
.15	4	4715F5051	top latch (w/lock tab)
		Note: refer to code # 6 above for hardware	
.75	5	4716L2101	trim tape & hardware kit
.25	6	4754B3658	Sea pine name decal 3388
.25		4749H4438	Santa fe name decal 3389
.25		4755-4728	Mesa name decal 3351
.25		4755-4738	Utah name decal 3381
.25		4753C0708	Sun Valley decal 3391
.25		4754B3808	Westlake name decal 3394
.25		4751F0658	Cheyenne name decal 3396
.25		4757-1538	Nevada name decal 3397
.25		4753C2348	Niagara name decal 3395
.25		4756A3498	Bayside name decal 3378
.25		4755-4818	CP decal 3389,81

1999 GRAND TOUR REPAIR PARTS



** Used on 3396 prior to s/n - 56486

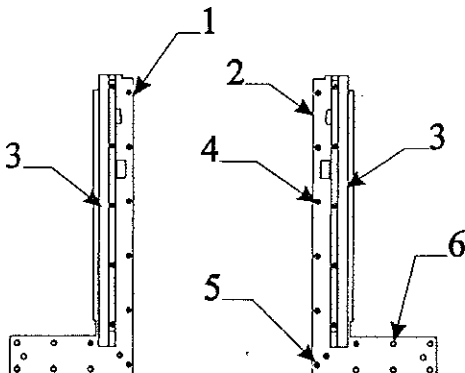
*** Used on 3396 starting w/s/n - 56486 thereafter

* Add .50 with water heater

* Add .75 for reefer vents

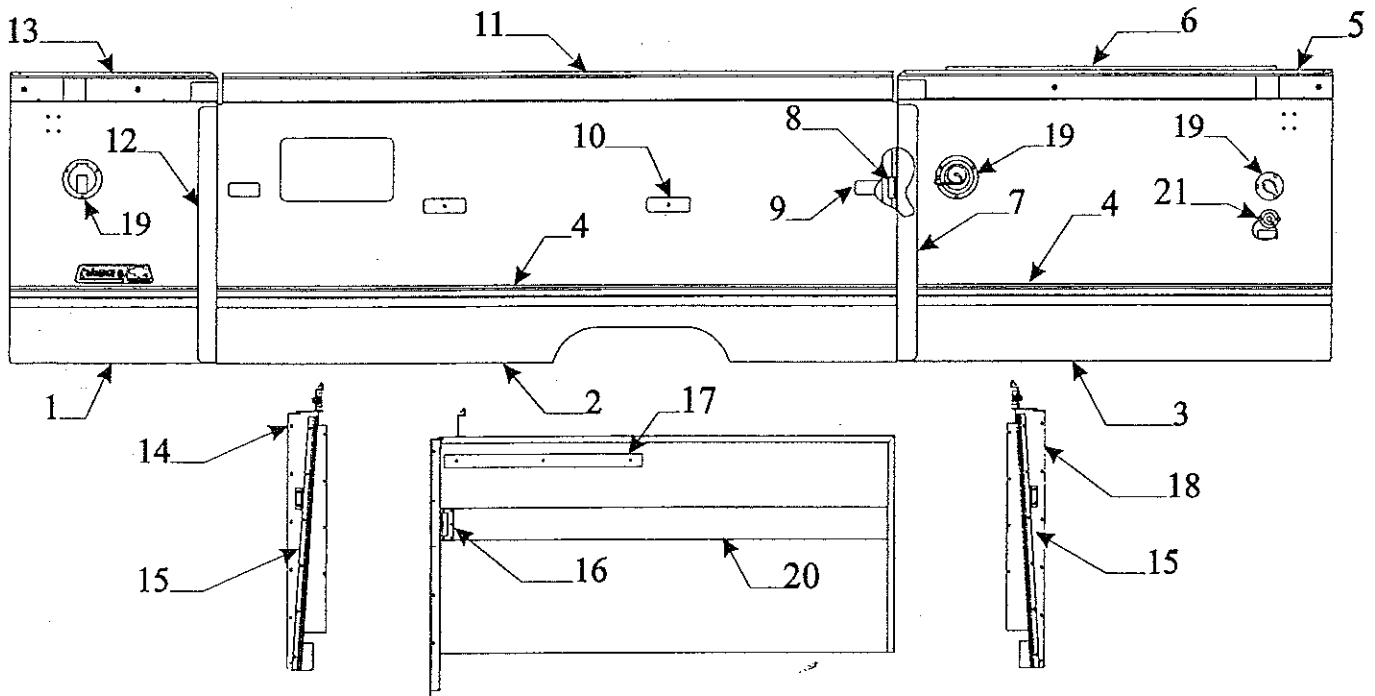
* Add .50 for heater vent

Roadside Left Body Panel Components				Access Door Bulkheads & Components			
Flat Rate	Code	Part #	Description	Flat Rate	Code	Part #	Description
2.00*	1	4754A3751	rs body panel 3388	.30	8	4731D1711	water tank fill spout
2.00*		4754E0181	rs body panel 3389	.75	9	4716L2111	trim tape & hardware kit
2.00*		4756-4341	rs body panel 3351	.25	10	4750-2951	o/s shower dr. & frame
2.00*		4754F2141	rs body panel 3391	.15		4750A2961	lock assy. w/key
2.00*		4754D3791	rs body panel 3394	.25	11	4747C8331	louvered door panel (refrig.)
2.00*	**	4754C1591	rs body panel 3396	.25	12	4745A3961	torx screw "white" m50
2.00*	***	4754E1591	rs body panel 3396	.25	13	4747C8321	louvered panel (refrig.)
2.00*		4757-1091	rs body panel 3397	.25	14	4716-1831	potty hatch door & frame
3.00	2	4754F1001	rs body rail 3388,89,96,97			4746F5121	shroud (between pnl. & wall)
3.00		4754E2251	rs body rail 3351,91,94			4350000028P	3/4" butyl tape pkg. (6' pc.)
		4757-0731	wire grommet & nut	.15		4060000029P	d-seal pkg. (6' pc.)
		4733D0601	rivet m25	.15		4754-4911	lock & o-ring
		4723A8071	velcro hook 2x2 m4	.15		4754-4941	hatch door hinge x2
.25	3	4737D2231	curtain track	.15		1203-8631	rivet m25 (x3 per hinge)
		1203-8678	rivet m25 (rivet track to rail)		15	Note: refer to page 24 code # 17 for this item	
.15	4	4741C6041	top latch	.50	16	4741B2071	shower diverter
		4749-4848	foam pad	.10	17	4716-0848	shower hose connector
		4741A9101	tek screw m10	.15	18	4750-1761	shower head bracket
.15	5	4733B23361	cable hatch	.20	19	4741B2051	shower hose
		4741-3508	hex head tex screw x3	.15	20	4746A3761	shower head
.25	6	4716-1331	water heater door	.25	21	4741D96568	expansion rivet m25
.30	7	4732F1521	city fill		22	4750-3331	auxiliary shower box
		4741-3508	hex head tex screw x3				



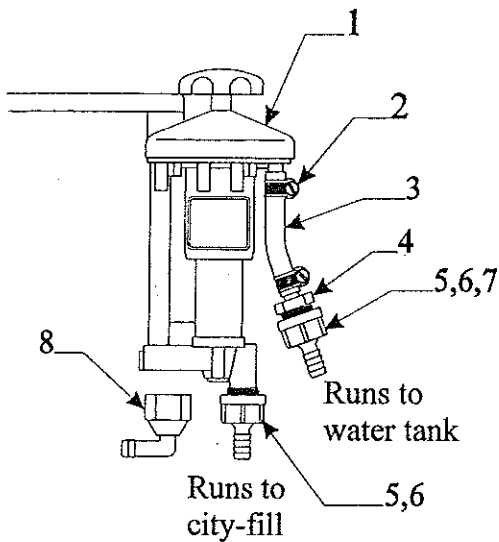
Flat Rate	Code	Part #	Description
1.25	1	4754-6951	csf bulkhead (all except 3378,95)
1.25		4754-6961	csr bulkhead (all except 3378,95)
1.25	2	4733K50681	csf bulkhead (3378,95 only)
1.25		4733K50681	csr bulkhead (3378,95 only)
.35	3	4745B0811	rubber door seal (all)
	4	1203-8641	rivet m25
		4734C1861	rivet m25 "white"
	5	1203-8978	countersunk rivet m25
	6	4744A050	hex head tek screw

1999 GRAND TOUR REPAIR PARTS



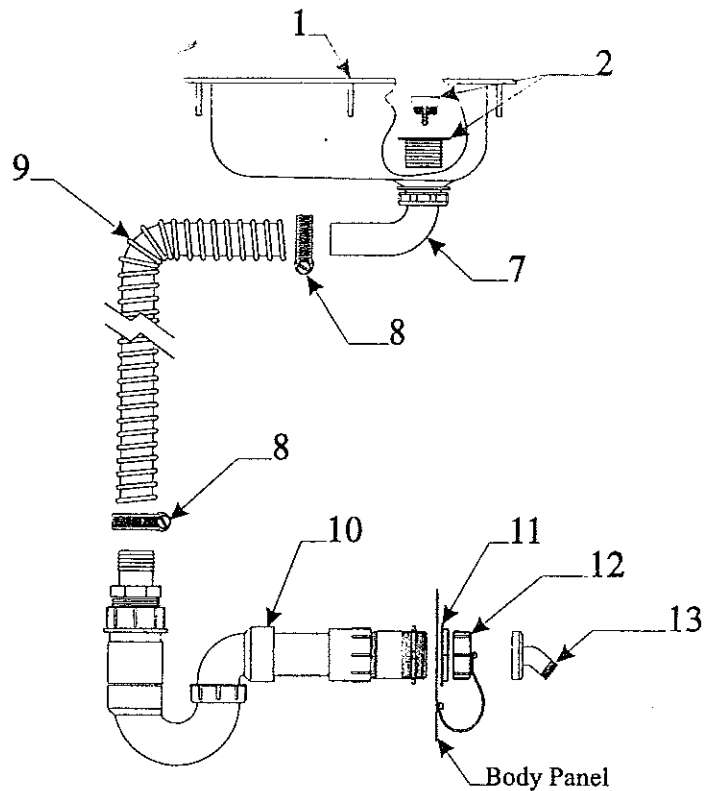
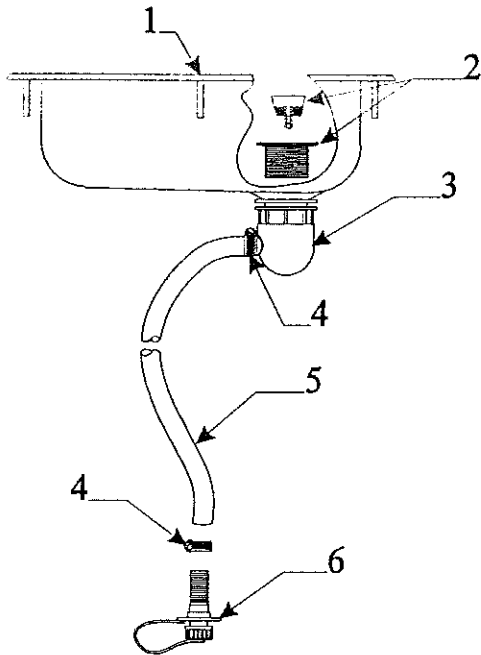
Flat Rate	Code	Part #	Description				
		Roadside Left Body Pnl. Components 3378,81,95					
1.50	1	4755-3451	left front body panel 3378,95	.75	9	4755-4091	latch & gasket
1.50		4756A3291	left front body panel 3381	.75	10	4756-1181	pull handle
1.00	2	4756-6641	glide-out body panel 3378,95	.75	11	4738-2608	tek screw "black"
1.00		4757A5411	glide-out body panel 3381	.25	12	4756-1291	glide-out body rail (all)
1.50	3	4755A3441	left rear body panel 3378	.25		4755A3921	angle seal "front" 3378,95
1.50		4755-3441	left rear body panel 3395			4756-3351	angle seal "front" 3381
1.50		4756A3281	left rear body panel 3381	1.00	13	4060000023P	d-seal pkg. "white" (5' pc.)
.75	4	4716L2111	trim tape & hardware kit	1.00		4755A3491	left front body rail 3378,95
1.00	5	4755B3481	left rear body rail 3378 ,95	1.65	14	4755B3491	left front body rail 3381
1.00		4756A3221	left rear body rail 3381	1.65		4756A6911	bulkhead left front 3378,95
		4757-0731	wire grommet & nut	.35	15	4757B5501	bulkhead left front 3381
.25	6	4737D2231	curtain track			4755-3911	glide-out seal track (all)
		1203-8678	rivet m25 (rivet track to rail)	.15	16	4064700589P	side seal "black" pkg. (8' pc.)
.25	7	4755A3771	angle seal "rear" 3378,95	.25	17	4756-2171	lock boot w/cover plate
.25		4756-3361	angle seal "rear" 3381	1.65	18	4754-3811	vel-stick (must cut to size)
		4060000023P	d-seal pkg. "white" (5' pc.)	1.65		4756A6901	bulkhead left rear 3378,95
.15	8	4756-1501	strike		19	4757B5511	bulkhead left rear 3381
		4756-3251	shim	.50	20		Note: refer to page 12 for this item
					21	4756-8471	ABS ware strip x2
							Note: refer to page 14 for this item

1999 GRAND TOUR REPAIR PARTS



Flat Rate		Hand pump & related parts		
Rate	Code	Part #	Description	
.40	1	4734D0161	hand pump	
		4716-081	screw x4	
	2	4731-3058	adjustable hose clamp	
.35	3	4714-038	3/8" h.p. Hose (sold/foot)	
.20	4	4732-4561	male adapter	
.20	5	4741-9568	barbed adapter	
.20	6	1202-5828	rubber washer	
.20	7	4754-4418	round filter screen	
.20	8	4741-2351	street elbow	

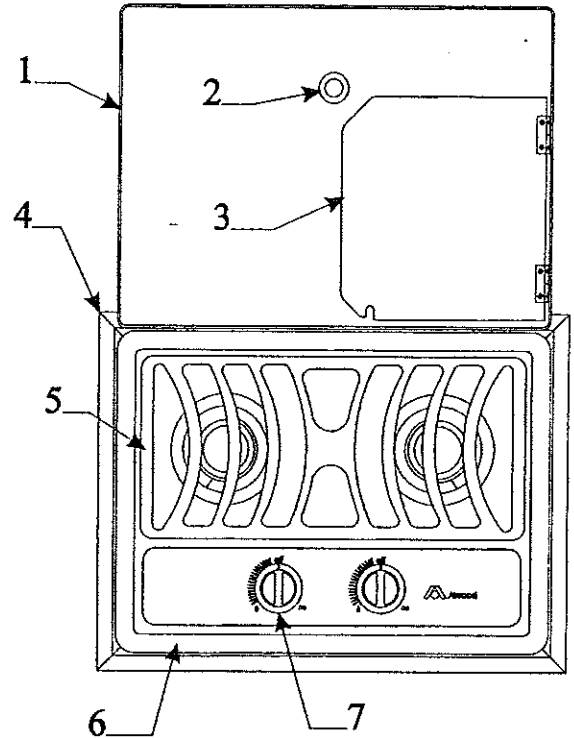
TO ORDER REPAIR PARTS
 FOR MODEL # 150-000-00 SHURFLO PUMP
 CALL: 1/800-854-3218 GARDEN GROVE, CA.
 CALL: 1/800-762-8094 ELKHART, IN.



Sink & Component parts				Sink & Component parts			
Flat Rate	Code	Part #	Description	Flat Rate	Code	Part #	Description
.30	1	4710F0301	sink "stainless"	.40	7	4757-0861	elbow ,nut & washer
.80		4745B2801	sink "porcelain"			4757-0831	black rubber washer
.05	2	4714B0661	crumb cup "only"		8	4715-4501	1 1/4" hose clamp
.25		4730E3151	crumb cup & basket	.80	9	4060012503P	1 1/4" drain hose pkg. (10' pc.)
.25	3	4734A0671	drain trap m2				Note: must cut hose to length
	4	4744-2678	hose clamp		10	4758-5431	drain trap assembly
.20	5	4742A8781	drain hose m2 (8' pc.)		11	4757-0851	nut
.20	6	4734C0681	drain spout m2	.10	12	4714A2861	cap & strap
					13	4737-9138	drain adapter

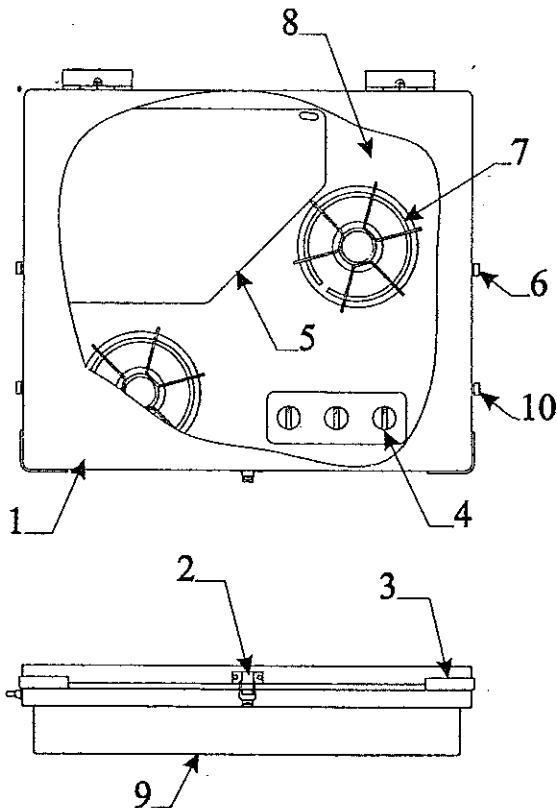
1999 GRAND TOUR REPAIR PARTS

Flat Rate	Code	Part #	Description
Recessed Stove Component Parts (Upper Galley Assy.'s)			
.15	1	4757-6901	stove cover assy. (all except 3381,95)
.15		4758-5351	stove cover assy. 3381,3395
	2	4742-8108	1 1/4" snap busing
.25	3	4749C99381	stove fin
.25		4741A4401	hinge x2
		1203-8558	rivet m25 (rivet hinge to fin)
.75	4	4757-6871	stove box frame "beige" (all)
.05	5	4757-0421	stove grate (all)
.15	6	4757-0401	porcelain cook top "black" (all)
.75		4757-0391	2 burner stove box (all)
.05	7	4716-2061	stove knob & sheld x2 (all)



4758-5661 - 3 Burner stove kit

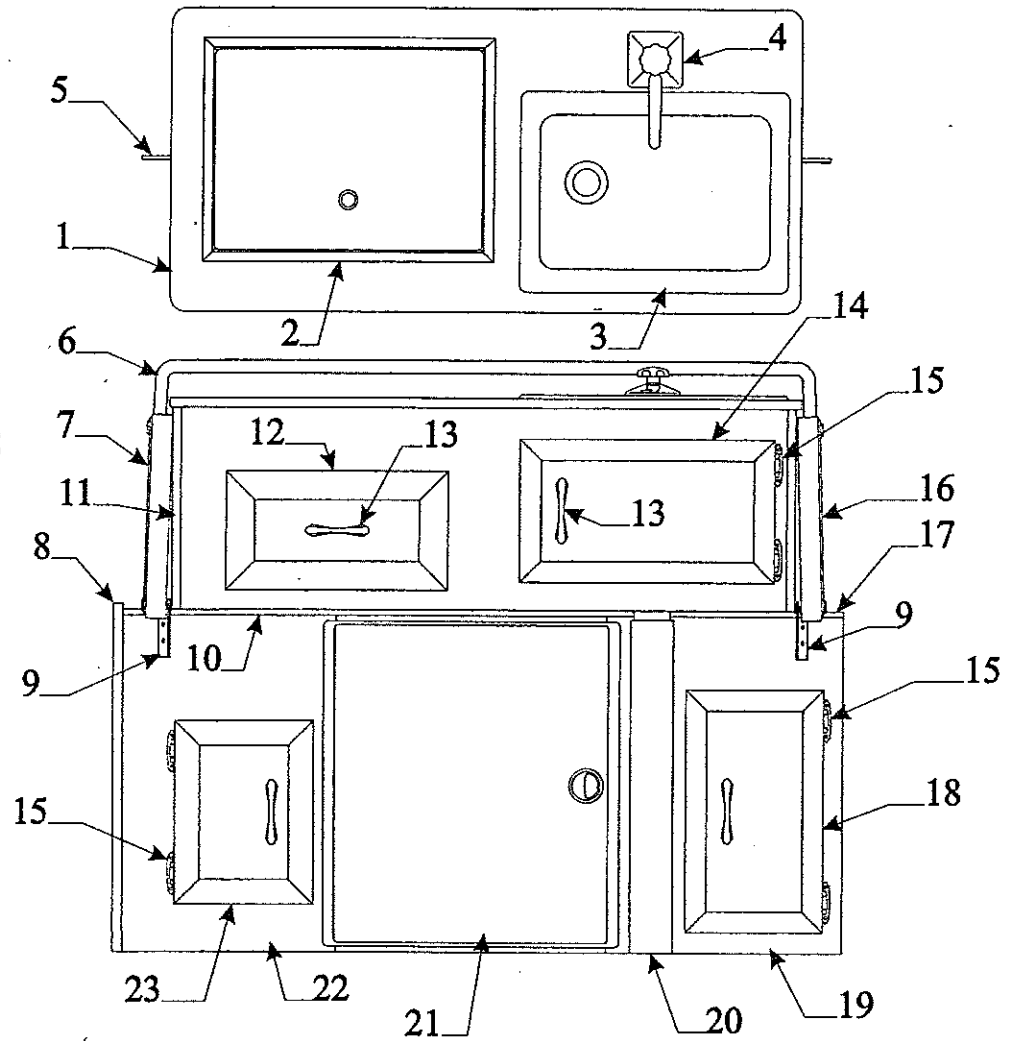
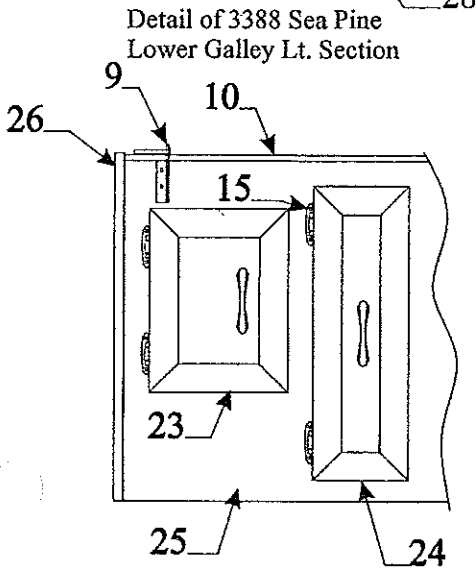
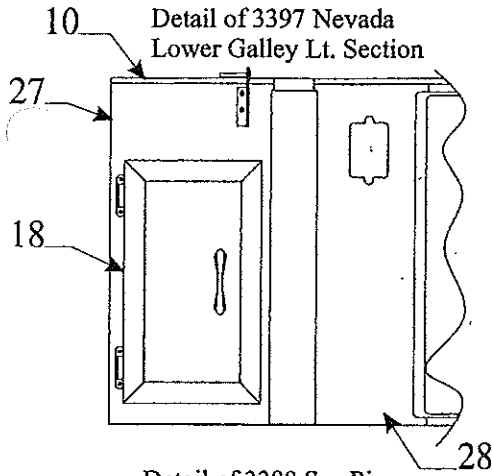
Note: Upgrade from 2 burner to 3 burner stove



Flat Rate	Code	Part #	Description
3 Burner Stove Component Parts (Upper Galley Assy.'s)			
.15	1	4741F6261	stove cover assy. (all except 3381,94,95)
		4741F62681	stove cover assy. 3381,94,95
	2	4733-4018	stove cover latch
		1203-8558	rivet m25
		4733-4028	stove cover strike
	3	4732A2291	edge molding m2
.05	4	4716-1861	knob
.25	5	4741G4131	stove fin
.25		4741A4401	hinge x2
		1203-8558	rivet m25 (rivet hinge to fin)
.05	6	4716A0881	thumb screw m6
.05	7	4716-1851	stove grate x3
.15	8	4746A8561	3 burner cook top "white" (all)
.75	9	4739G2931	3 burner stove box (all)
	10	4746-8661	plastic thumb screw & nut m6

Revised 3/1/99

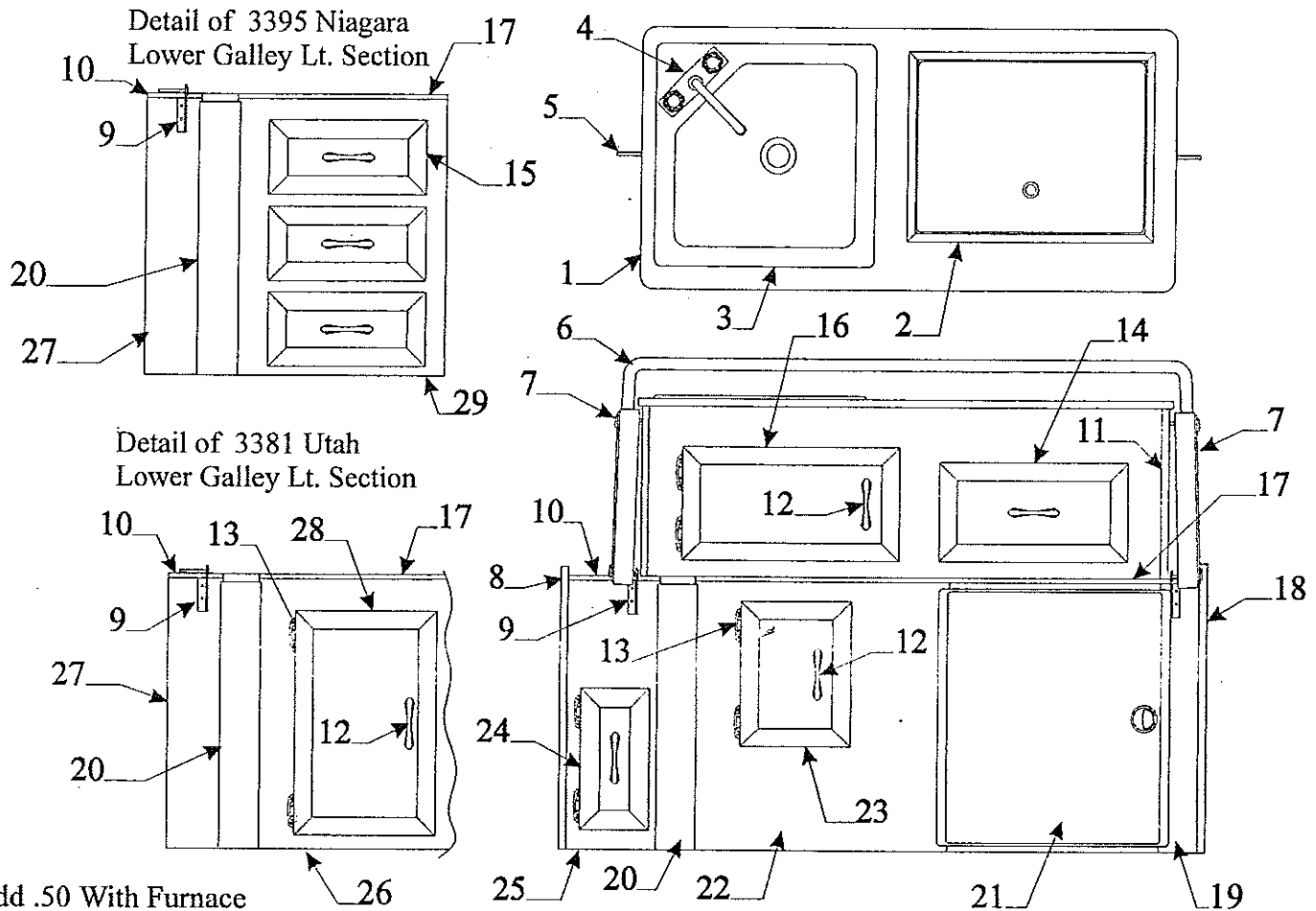
1999 GRAND TOUR REPAIR PARTS



* Add .50 With Furnace

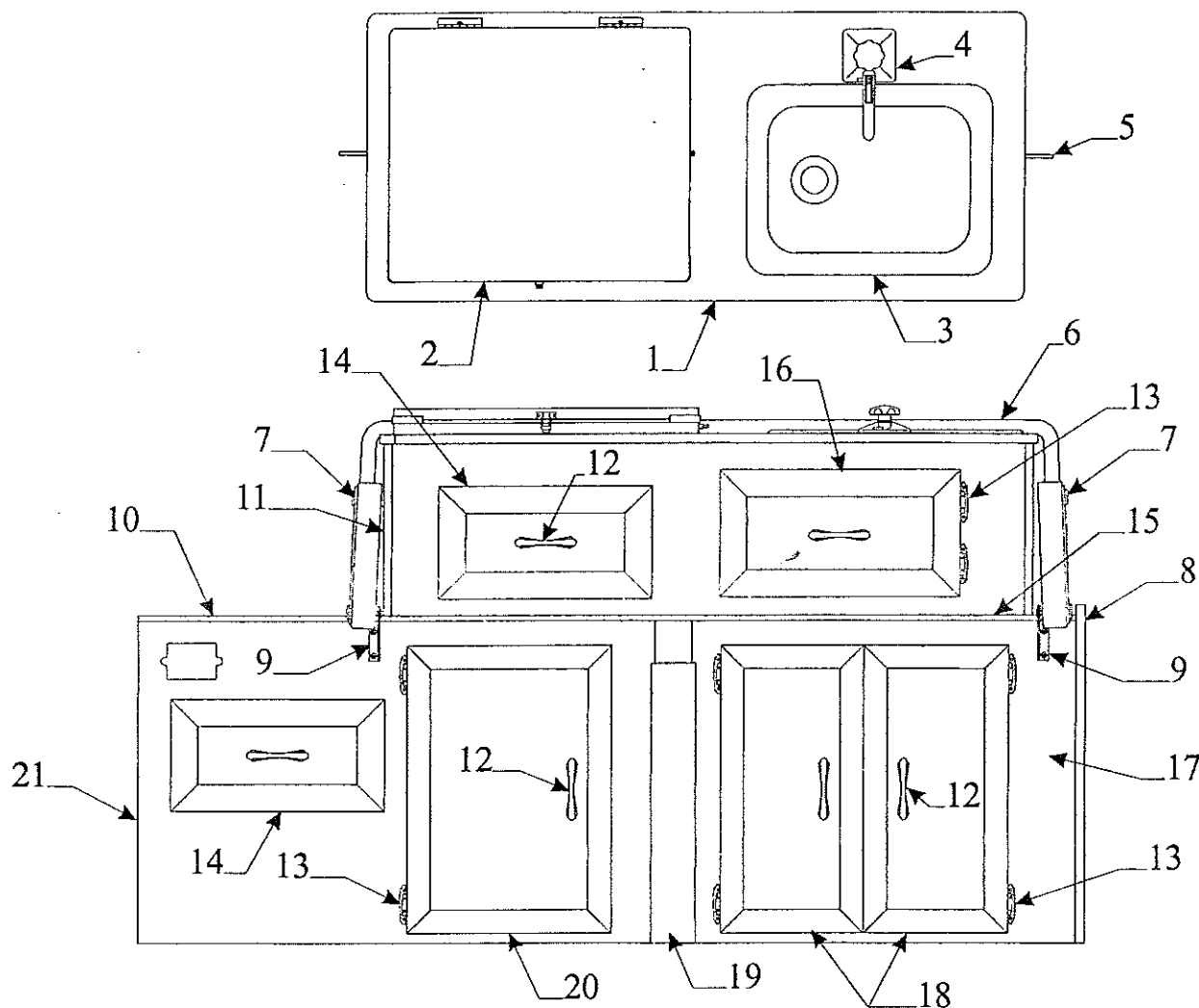
Flat Rate	Upper/Lower Galley Components - 3388,89,96,97	Flat Rate			
Code	Part #	Description	Code	Part #	Description
1.00	1	4754B8241 upper galley top (w/out hot water)	.25	12	4754B5301 drawer assembly
1.00		4752G9071 upper galley top 3397 only			4755-4481 cutlery tray
1.25		4755B8141 upper galley top (w/hot water)		Note: refer to page 27 for drawer components	
.30		4060400089P t-molding pkg. (14' pc.)	.10	13	4755-2681 door pull w/screws
	2	Note: refer to page 15 for stove components	.15	14	4757A6541 door pnl. 16 3/4" x 8 3/4"
.80		4710F0301 sink			4755-4471 spice rack (plastic)
.30		4745B2801 sink w/hot water			4733-6391 latch & strike pkg.
		Note: refer to page 14 for sink components	.10	15	4745C26188 hinge (spring loaded)
.40		4734D0161 hand pump	.15	16	4750-8941 plastic chain cover (right)
		4716-081 screw x4	1.00	17	*4754-8381 lower galley top rt. 3389,96
1.00		4745E2741 mixer faucet w/hot water	1.00		*4756-0401 lower galley top rt. 3388
		Note: refer to page 14 for pump components	1.00		*4757-1311 lower galley top rt. 3397
.75		4756A6631 upper galley pivot brkt. (lt. & rt.)	.15	18	4756-5361 door pnl. 16" x 9 1/8"
		4734E1861 rivet "elm" m25	1.00	19	*4754-8401 lower galley frt. rt. 3389,96
1.00		4756D1511 galley lift bar (all)	1.00		*4756-0361 lower galley frt. rt. 3388
		4744-6321 chain assy x2 per bar	1.00		*4757-1511 lower galley frt. rt. 3397
.15		4750-8951 plastic chain cover (left)	.25	20	4750E6731 filler assembly (all)
.75		*4754C2611 seat gazoodi 3389	.50	21	4754A0481 built-in cooler (all)
.75		*4754C0581 seat gazoodi 3396,97	.75	22	*4754-8421 lower galley frt. lt. 3389,96
.60		4716-1821 lower galley brkt.pkg.	.15	23	4756-5161 door pnl. 12" x 9 1/8"
1.00		*4754A8391 lower galley top lt. 3389,96	.15	24	4757B5211 door pnl. 16 1/4" x 6 1/4"
1.00		*4756A0391 lower galley top lt. 3388	.75	25	*4756-0371 lower galley frt. lt. 3388
1.00		*4757-1291 lower galley top lt. 3397	.75	26	*4754A3431 seat gazoodi 3388
.20		4746A0971 kill switch m4	1.00	27	*4757-1281 lower galley frt. lt. 3397
.65		4716C0151 3/8" f-channel 24" pc.	1.00	28	*4757-1321 lower galley frt. 3397

1999 GRAND TOUR REPAIR PARTS



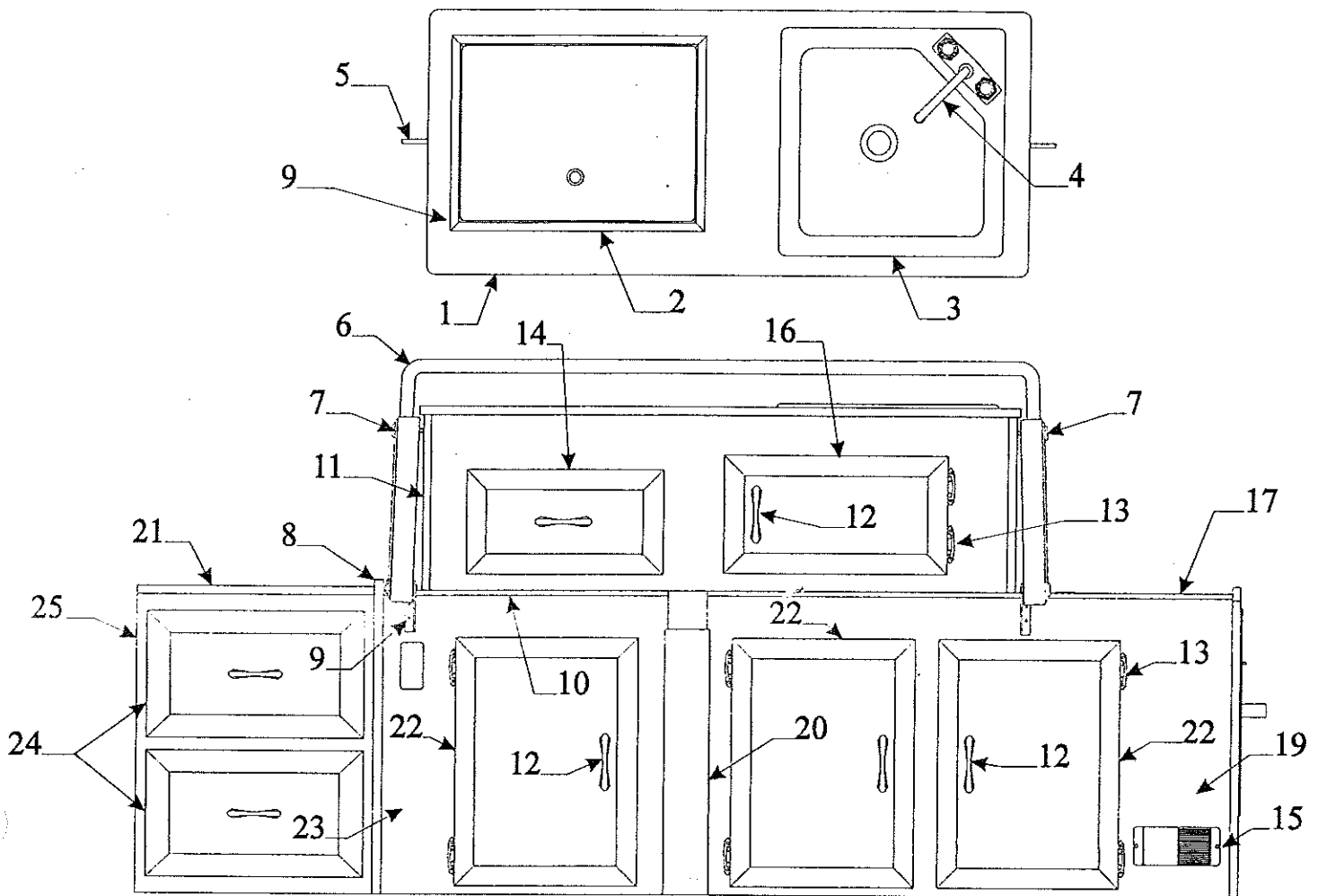
Flat Rate	Upper/Lower Galley Components - 3381,3394,3395	Flat Rate	Code	Part #	Description
1.00	1 4752E9071 upper galley top (all) hot water	.25	14	4754B5301	drawer assy. 3381,94
1.25	4757A0461 galley top 3381 w/out hot water	.25		4756B6671	drawer assy. 3395
.30	4060400089P t-molding pkg. (14' pc.)			4755-4481	cutlery tray (plastic)
	2 Note: refer to page 15 for stove components	.25	15	4752E6931	drawer assy. x3 3395
.30	3 4745B2801 sink	.15	16	4757A6541	door pnl. 3381,94
.80	4710F0301 sink w/out hot water 3381	.15		4757-6861	door pnl. 3395
	4 Note: refer to page 14 for sink components			4755-4471	spice rack (plastic)
1.00	4745E2741 mixer faucet	1.00	17	*4754C3831	lower galley top rt. 3394
.40	4734D0161 hand pump	1.00		4757A0441	lower galley top rt. 3381
	5 Note: refer to page 14 for pump components	1.00		*4757-1621	lower galley top rt. 3395
.75	4756A6631 upper galley pivot brkt. (lt. & rt.)	2.00	18	4754A3861	shower wall 3394
	4734E1861 rivet "elm" m25	.75		4754A3881	gazoodi 3381
1.00	6 4756D1511 galley lift bar (all)	.75		4756-0011	gazoodi 3395
	4744-6321 chain assy x2 per bar	1.00	19	*4752C8751	lower galley frt. rt. 3394
.15	7 4750-8951 plastic chain cover (left)	1.00		*4754C3281	lower galley frt. rt. 3381,95
.15	4750-8941 plastic chain cover (right)	1.00		*4750E6731	filler assembly (all)
.75	8 *4754A3881 seat gazoodi 3394	.50	20	4754A0481	built-in cooler (all)
.30	4060400087P t-molding pkg. (12' pc.)	.75	22	*4754E3841	lower galley frt. 3394
.60	9 4716-1821 lower galley brkt.pkg.	.15	23	4756-5161	door pnl. 12" x 9 1/8",3394
1.00	10 *4756B0541 lower galley top lt. 3394	.15		4752D6901	door pnl. 12" x 9 1/8",3395
1.00	4752C9231 lower galley top lt. 3381,95	.15	24	4757A5211	door pnl. 11 3/4" x 5 3/4"
.20	4746A0971 kill switch m4	.75	25	*4756D0521	lower galley front 3394
.65	11 4716C0151 3/8" f-channel 24" pc.	.75	26	4757-1631	lower galley front 3381
.10	12 4755-2681 door pull w/screws	.65	27	*4754-8341	lower galley frt. lt. 3381,95
.10	13 4745C26188 hinge (spring loaded)	.15	28	4758-5221	door pnl. 18 1/2" x 11 3/4"
		.75	29	*4755A4641	lower galley front 3395

1999 GRAND TOUR REPAIR PARTS



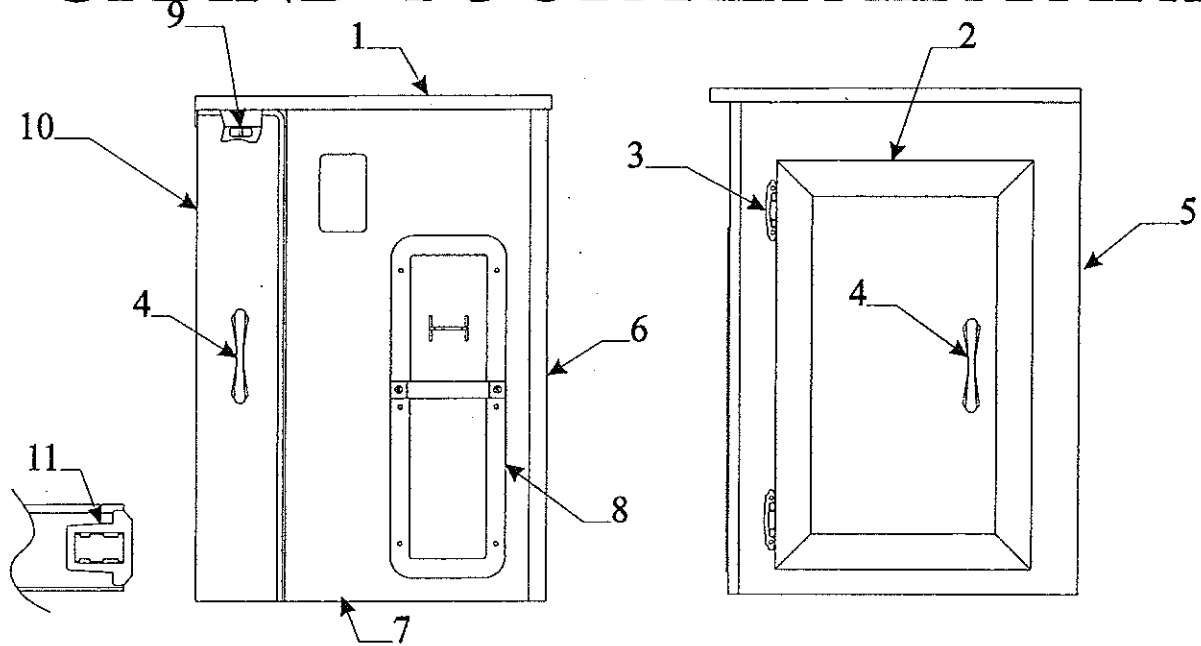
Flat Rate	Upper/Lower Galley Components - 3391	Flat Rate	Code	Part #	Description
1.00	1	.60	9	4754C4271	upper galley top (all) hot water
1.25		1.00	10	4756A4401	galley top w/out hot water
.30				4060400089P	t-molding pkg. (14' pc.)
	2	.65	11	Note: refer to page 15 for stove components	
.80	3	.10	12	4745B2801	sink
.30		.10	13	4710F0301	sink w/out hot water
		.25	14	Note: refer to page 14 for sink components	
1.00	4			4734D0161	hand pump
.40				4745E2741	mixer faucet
		1.00	15	Note: refer to page 14 for pump components	
.75	5	.20		4752A9271	upper galley pivot brkt. (lt. & rt.)
		.15	16	4734E1861	rivet "elm" m25
1.00	6			4756-4071	galley lift bar
				4757-6341	chain assy x2 per bar
.15	7	1.00	17	4756-4061	plastic chain cover (left)
.15		.15	18	4756-4051	plastic chain cover (right)
.75	8	.25	19	4755-2901	seat gazoodi
		.15	20	4757A6221	drawer assy.
		1.00	21	4755-4481	cutlery tray (plastic)
				Note: refer to page 27 for drawer components	
				4755C1381	lower galley top rt.
				4746A0971	kill switch m4
				4757A6541	door panel
				4755-4471	spice rack (plastic)
				4733-6391	latch & strike pkg.
				4755B0711	lower galley front rt.
				4757-6731	door panel x2
				4750E6731	filler assembly
				4756-5141	door panel
				4757A0061	lower galley front lt.

1999 GRAND TOUR REPAIR PARTS

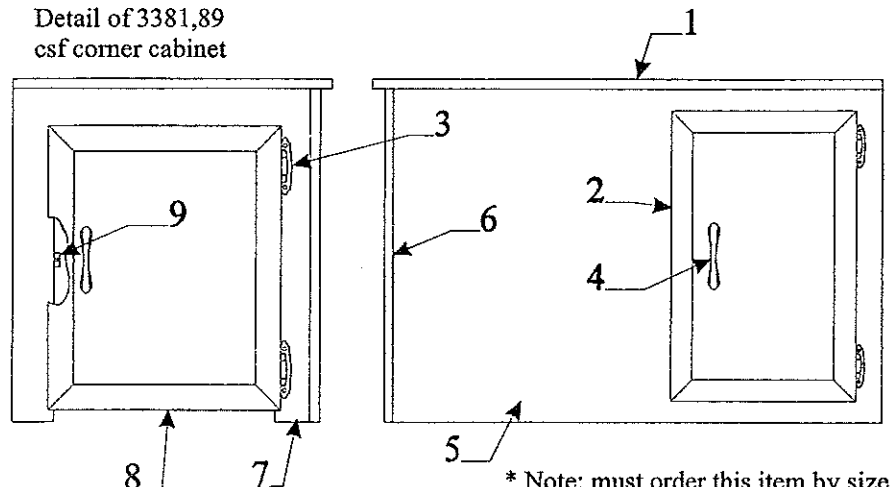
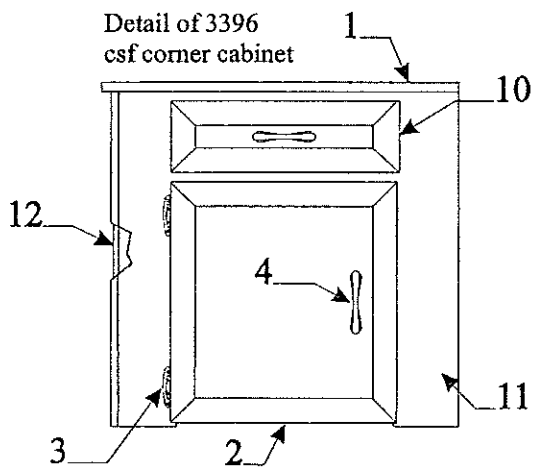


Flat Rate	Code	Part #	Description	Flat Rate	Code	Part #	Description
Upper/Lower Galley Components - 3378,3351							
1.00	1	4754C4271	upper galley top (all) hot water	.25	14	4756A6371	drawer assy. 3378
1.25		4756A4401	galley top 3351 w/out hot water	.10		4757A6221	drawer assy. 3351
.30		4060400089P	t-molding pkg. (14' pc.)			4755-4481	cutlery tray (plastic)
	2	Note: refer to page 15 for stove components					
.80	3	4745B2801	sink		15	4753-9171	lp gas detector
.30		4710F0301	sink w/out hot water 3351	.15	16	4757-6861	door pnl. 3378
		Note: refer to page 14 for sink components					
1.00	4	4745E2741	mixer faucet	.15		4757A6541	door pnl. 3351
.40		4734D0161	hand pump	1.00	17	4755-4471	spice rack (plastic)
		Note: refer to page 14 for pump components					
.75	5	4752A9271	upper galley pivot brkt. (lt. & rt.)	1.00		4733-6391	latch & strike pkg.
		4734E1861	rivet "elm" m25	.75	18	4756-3621	gazoodi end 3378
1.00	6	4756-4071	galley lift bar (all)		Note: refer to page 22 for fire extinguisher		
		4757-6341	chain assy x2 per bar	1.00	19	4752H9101	lower galley fit. rt. 3378
.15	7	4756-4061	plastic chain cover (left)	1.00		4754A9981	lower galley fit. rt. 3351
.15		4756-4051	plastic chain cover (right)		20	4750E6731	filler assembly (all)
.75	8	4755B1181	seat gazoodi 3351	.25	21	4757-0171	cabinet top 3378
.75		4756-0011	seat gazoodi 3378	.50	22	4753D5391	door pnl. x3 3378
.60	9	4716-1821	lower galley brkt.pkg.	.15		4757-6731	door pnl. x3 3351
1.00	10	4752D9231	lower galley top lt. 3378	.75	23	4754A8341	lower galley fit. lt. 3378
1.00		4757A0021	lower galley top lt. 3351	.75		4757-0011	lower galley fit. lt. 3351
.20		4746A0971	kill switch m4	.10	24	4756A6671	drawer assy. x2 3378
.65	11	4716C0151	3/8" f-channel 24" pc.	.50	25	4756A3791	cabinet front 3378
.10	12	4755-2681	door pull w/screws				
.10	13	4745C26188	hinge (spring loaded)				

1999 GRAND TOUR REPAIR PARTS



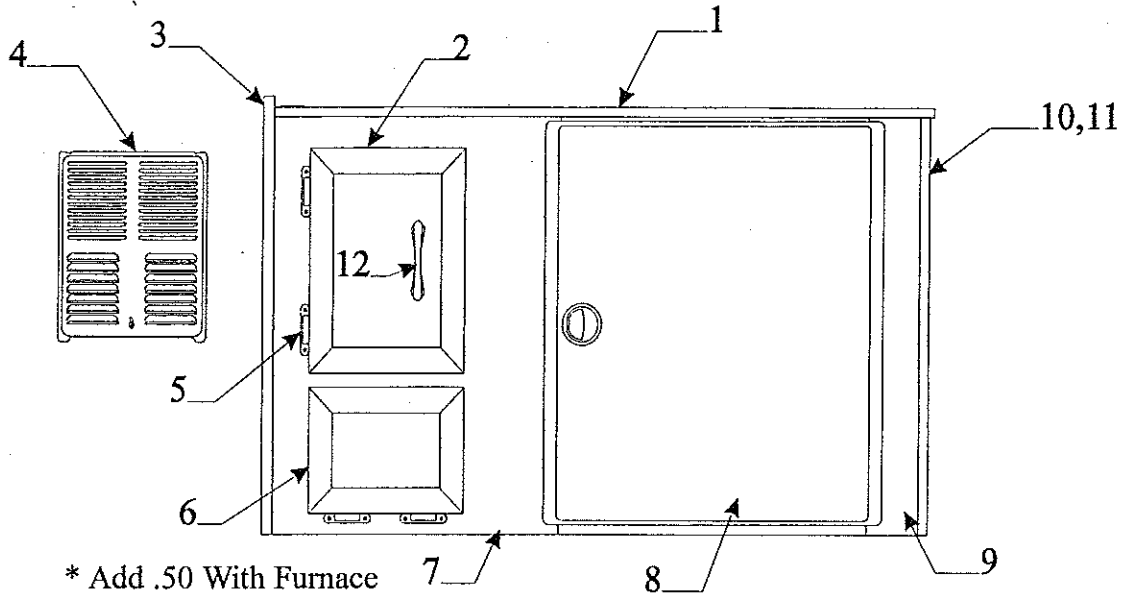
Flat Rate	Code	Part #	Description	Flat Rate	Code	Part #	Description
.50	1	4757-1211	cabinet top	.50	7	4757-1191	cabinet side
.30		4060400088P	t-molding pkg. (14' pc.)	.15	8	Note: refer to page 20 for fire extinguisher	
.15	2	4758-5221	door pnl. 18 1/2" x 11 3/4"	.15	9	4733-6391	latch & strike
.10	3	4745C26188	hinge (spring loaded)	.20	10	4758-5911	pullout pantry
.10	4	4755-2681	door pull w/screws	.15	11	4749-8371	plastic base guide
.75	5	4757-1201	cabinet front	.25		4754-0721	metal drawer guide
.65	6	4716C0151	3/8" f-channel 24" pc.				(item not shown/screwed to floor)



* Note: must order this item by size

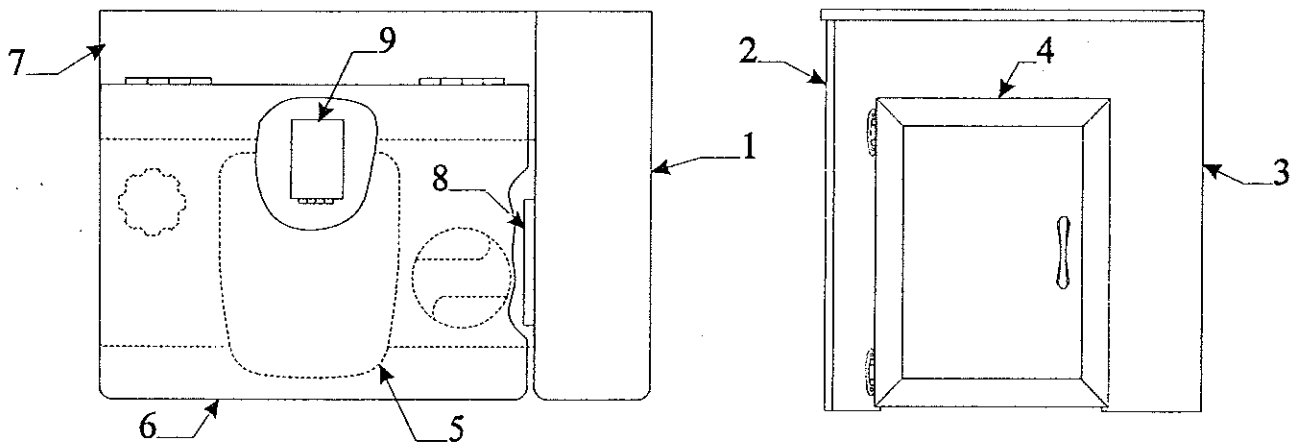
Flat Rate	Code	Part #	Description	Flat Rate	Code	Part #	Description
.50	1	4756A4941	cabinet top 3381	.75	5	4756A4671	cabinet front 3381,3389
.50		4756A4701	cabinet top 3389	.65	6	4716C0151	3/8" f-channel 24" pc.
.50		4754A1831	cabinet top 3396	.50	7	*4756A4691	cabinet side 21 1/4" x 19"
.30		4060400088P	t-molding pkg. (14' pc.)	.50		*4756B4691	cabinet side 21 1/4" x 20 1/8"
.15	2	4758-5221	door pnl. 18 1/2" x 11 3/4"	.15	8	4758-5211	door pnl. 18 1/2" x 15 1/4"
.15		4756-6861	door pnl. 15" x 15 1/4" 3396	.15	9	4733-6391	latch & strike
.10	3	4745C26188	hinge (spring loaded)	.10	10	4754A5301	drawer assy. 3396
.10	4	4755-2681	door pull w/screws	.50	11	4754B0681	cabinet front 3396
				.30	12	4754C1841	cabinet side 3396

1999 GRAND TOUR REPAIR PARTS



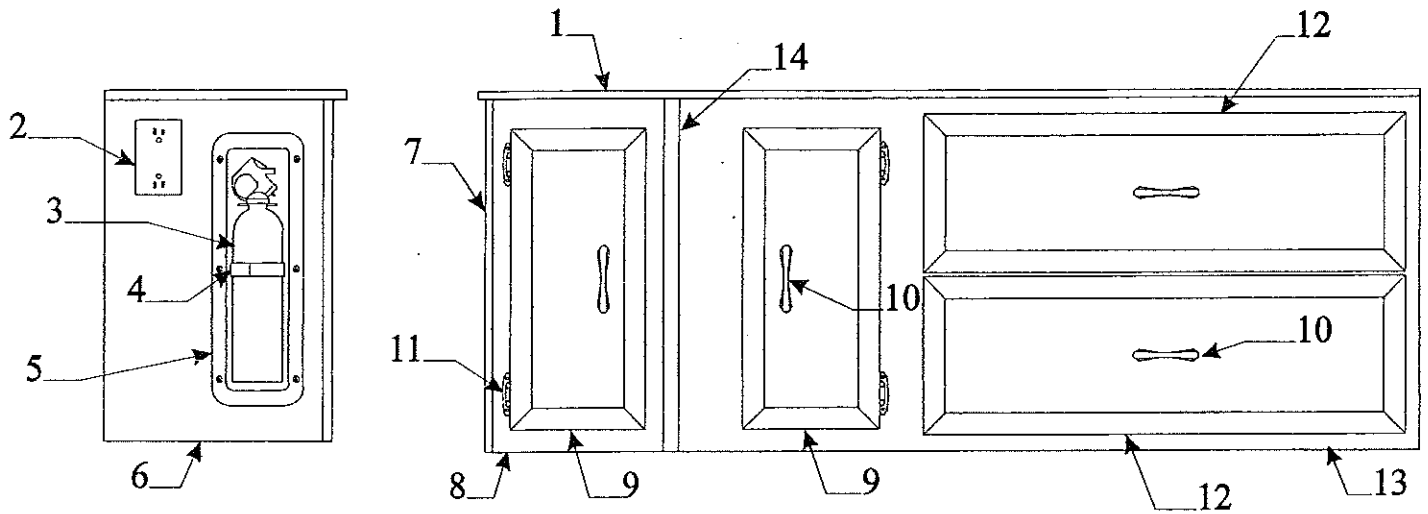
* Add .50 With Furnace

Flat Rate	Code	Part #	Description	Flat Rate	Code	Part #	Description
1.50	1	4752C4601	hutch top	.10	5	4745C26188	hinge (spring loaded)
.30		4060462502P	t-molding pkg. (9' pc.)	.15	6	4757-6551	door panel 9 1/8" x 6 3/4"
.15	2	4756-5161	door panel 12" x 9 1/8"	.75	7	*4752E4551	hutch front lt.
.75	3	4755-2901	gazoodi	.50	8	4754A0481	built-in cooler
.30		4060400087P	lipped t-molding pkg. (12' pc.)	.75	9	4752D4561	hutch front rt.
.10	4	4743-3551	furnace grill	.65	10	4716C0151	f-channel 24" pc.
				1.25	11	4752C4571	hutch side rt.



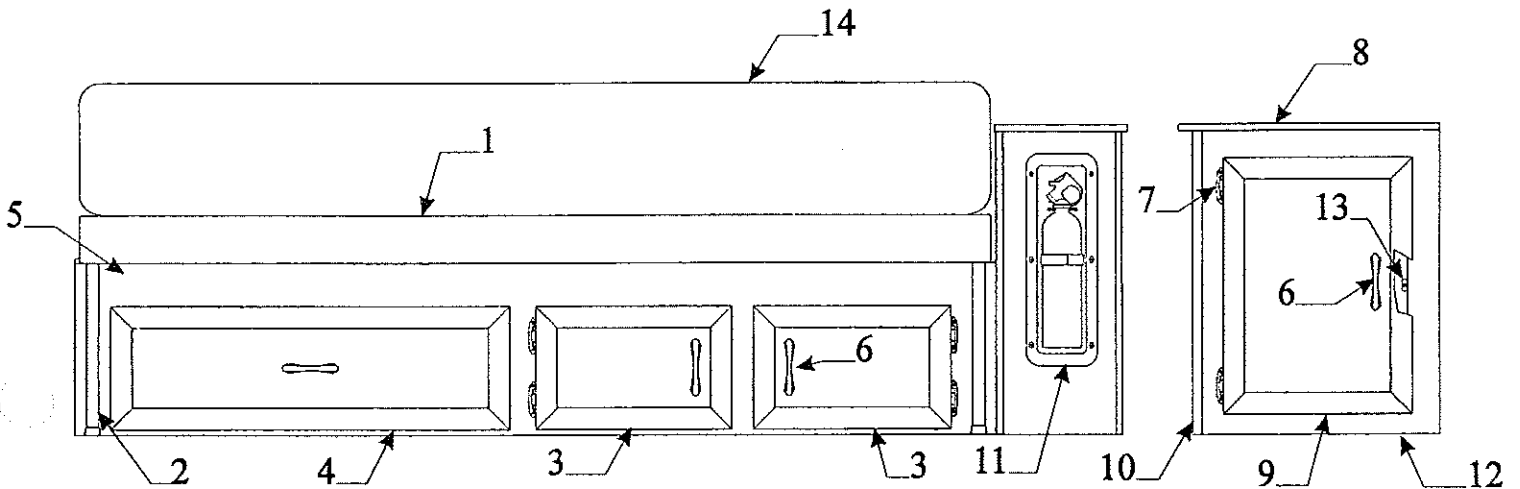
Flat Rate	Code	Part #	Description	Flat Rate	Code	Part #	Description
.25	1	4750B3871	cabinet top 3381,89	.75	5	4746C2461	cassette potty 3389
.30		4060462502P	t-molding pkg. (9' pc.)	.75		4756-2251	cassette potty 3381
.35	2	4716-1421	5/32" f-channel 24" pc.	.25	6	4754A4541	flip-up lid
.40	3	4756-4991	cabinet side 3381	.20		4750-392	lid hinge x2
.40		4751B9961	cabinet side 3389	.10	7	4750C3891	wood filler
.15	4	4756-5141	door panel 13 3/4" x 18 1/2"	.15	8	4750B391	wood lid support rt./lt.
				.15	9	4755-6911	flip-up lid prop (metal)

1999 GRAND TOUR REPAIR PARTS

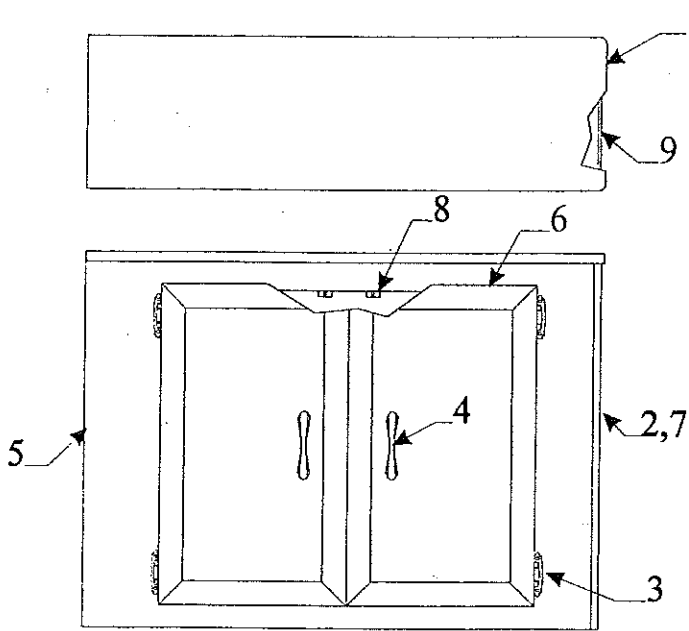


Flat Rate	Code	Part #	Description	Flat Rate	Code	Part #	Description
Curbside Hutch Assy. 3389 Santa Fe							
.75	1	4754B0511	hutch top	.65	7	4716C0151	3/8" f-channel 24" pc.
.30		4060462502P	t-molding pkg. (9' pc.)	.50	8	4754C0491	hutch front "small"
.20	2	4752-2361	15 amp receptacle	.15	9	4757-6731	door panel 8 3/4" X 18 1/2"
.10	3	4737A5558	fire extinguisher	.10	10	4755-2681	door pull (includes screws)
.05	4	4716-1191	fire extinguisher strap m2	.10	11	4745C26188	hinge (spring loaded)
.15	5	4737B4198	recessed mount	.10	12	4754A5291	drawer assy. x2
		4738-3088	screw x6	Note: refer to page 27 for drawer components			
.55	6	4754B0521	hutch side	1.25	13	4754C0551	hutch front "large"
				1.00	14	4754A054	3/8" h-channel

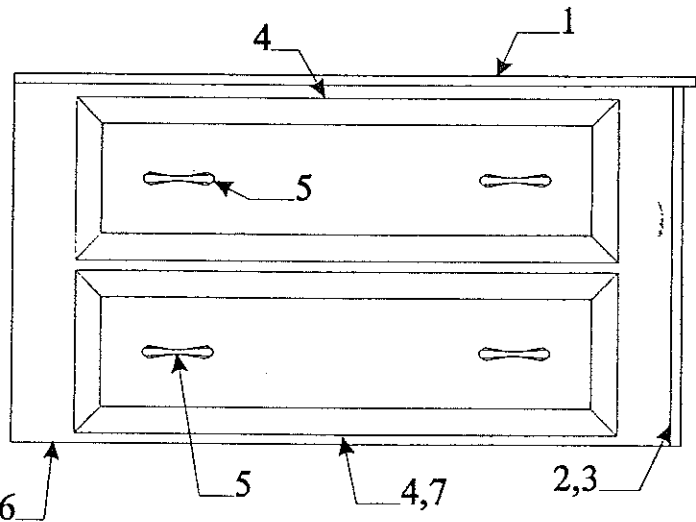
Flat Rate	Code	Part #	Description	Flat Rate	Code	Part #	Description
Curbside Hutch/Seat Assembly 3396,3381							
.25	1	4754F5561	cushion assy. less legs (all)	.25	8	4754A1631	cabinet top 3396
.25		4716F5561	cushion cover	.25		4756-8241	cabinet top 3381
.25	2	4753B5521	cushion leg x2	.30		4060462502P	t-molding pkg. (8' pc.)
.05		4752-0551	plastic cap m2	.15	9	4758-5211	door panel 18 1/2" x 15 1/4"
.15	3	4756-5301	door panel 15" x 9 1/4"	.65	10	4716C0151	3/8" f-channel (24" pc.)
.10	4	4754A5541	drawer assy.	.11			Note: refer above for fire extinguisher
				.50	12	4754F1621	cabinet side 3396,3381
1.25	5	4754D1641	hutch front 3396	.15	13	4733-6391	latch & strike pkg.
1.25		4756-8251	hutch front 3381	.10	14	4754C5571	backrest assy. (all)
.10	6	4755-2681	door pull (includes screws)	.10		4716C5571	backrest cover
.10	7	4745C26188	hinge (spring loaded)				



1999 GRAND TOUR REPAIR PARTS

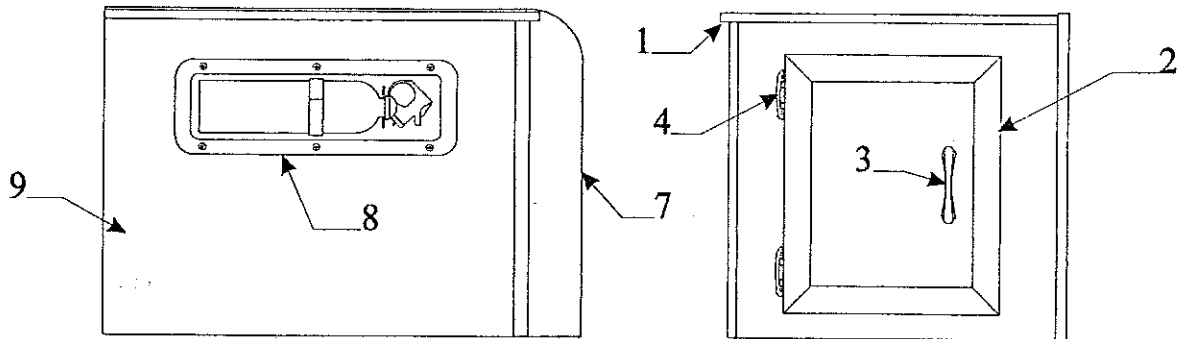


Doorway Hutch Assembly, 3351,3391,3394			
Flat Rate	Code	Part #	Description
.25	1	4754A3981	cabinet top 3394
.25		4756-4311	cabinet top 3351
.25		4755-3851	cabinet top 3391
.30		4060462502P	t-molding pkg. (8' pc.)
.35	2	4716C0151	3/8" f-channel 24" pc.
.10	3	4745C26188	hinge (spring loaded)
.10	4	4755-2681	door pull (includes screws)
.30	5	4754D3971	cabinet side 3394
.30		4752E4691	cabinet side 3351,3391
.15	6	4756-5141	door assy. x2 (all)
	7	Note: refer to page 22 for fire extinguisher	
.15	8	4733-6391	latch & strike pkg.
.30	9	4754B3961	cabinet front 3394
.30		4755A4571	cabinet front 3351
.30		4752D4951	cabinet front 3391



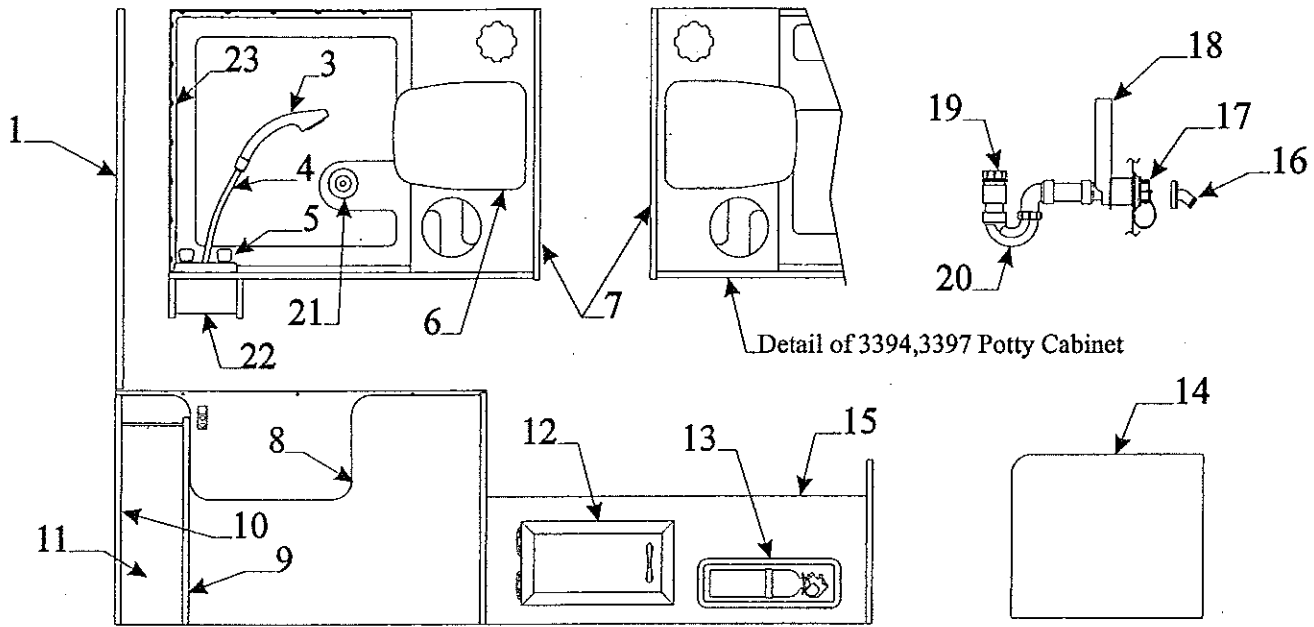
"CSF" Corner Cabinet 3394			
"CSR" Doorway Cabinet 3397			
Flat Rate	Code	Part #	Description
.35	1	4753E2741	cabinet top 3394
.35		4757-1371	cabinet top 3397
.30		4060462502P	t-molding pkg. (8' pc.)
.35	2	4716C0151	3/8" f-channel 24" pc.
.30	3	4753D2761	cabinet side 3394
.30		4757-1391	cabinet side 3397
.10	4	4754A5291	drawer assy. x2 3394 x1 3397
		Note: refer to page 27 for drawer components	
.10	5	4755-2681	door pull (includes screws)
.40	6	*4753C2771	cabinet front 3394
.40		**4757-1381	cabinet front 3394,3397
.15	7	4758-5871	door panel 3397

* Used on 3394 prior to 10/23/98 production date
 ** Used on 3394 starting w/ 10/23/98 production date

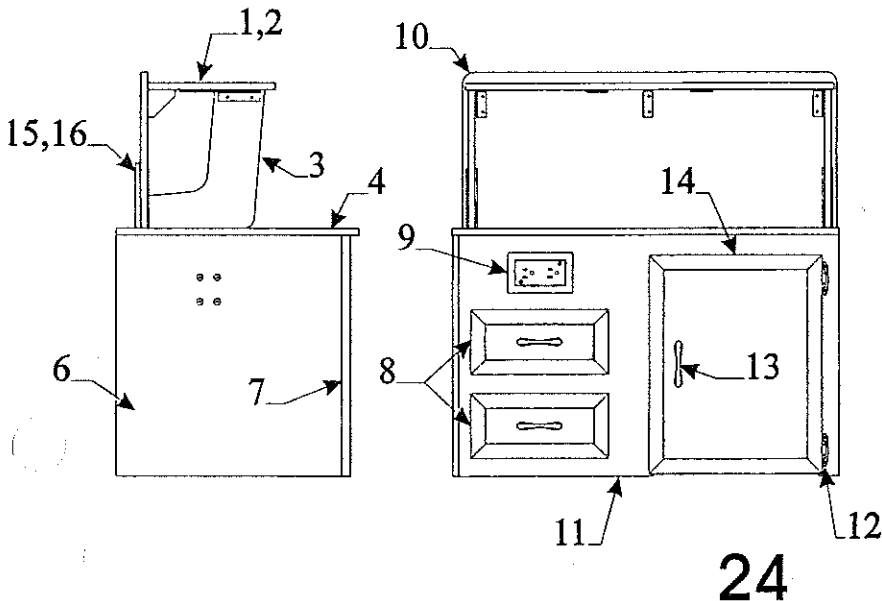


Curbside Seat Cabinet 3388 Sea Pine				Flat Rate			
Flat Rate	Code	Part #	Description	Flat Rate	Code	Part #	Description
.25	1	4754A3421	cabinet top	.50	5	4754B3401	cabinet front
.15	2	4756-6861	door pnl. 15" x 15 1/4"	.35	6	4716C0151	3/8" f-channel 24" pc.,
.10	3	4755-2681	door pull (includes screws)	.75	7	4754A3771	gazoodi
.10	4	4745C26188	hinge (spring loaded)		8	Note refer to page 22 for fire extinguisher	
				.55	9	4754A3411	cabinet side

1999 GRAND TOUR REPAIR PARTS

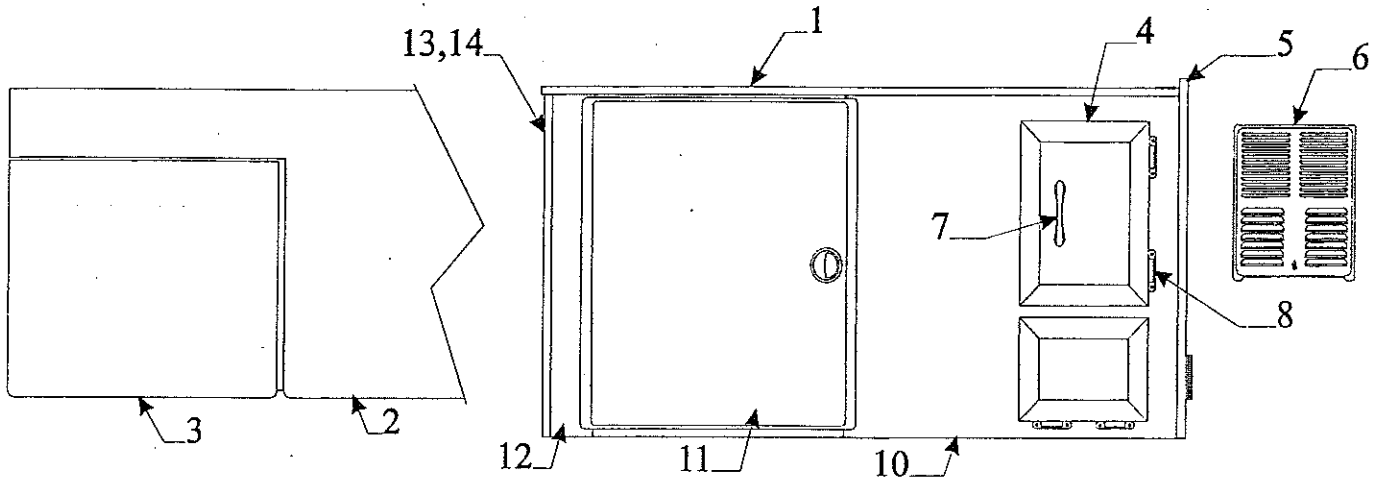


Flat Rate	Shower Stall Components 3395,3394,3397	Flat Rate	Code	Part #	Description
.40	1	4757-6841		4757-6841	shower cover board 3395
.40		4757-6711		4757-6861	shower cover board 3394,97
1.50	2	4753-3491		4753-3491	shower pan (all)
		4060000406F		4060000406F	tub seal (sold/foot)
.15	3	4746A3761		4746A3761	shower head w/bracket
.20	4	4741B2051		4741B2051	shower hose (69" length)
.50	5	4741B2071		4741B2071	shower diverter
.10		4716-0848		4716-0848	shower hose connector
.75	6	4756-2251		4756-2251	cassette potty 3395
.75		4746C2461		4746C2461	cassette potty 3394,97
.75	7	4754A3861		4754A3861	shower wall (all)
.30		4060400087P		4060400087P	5/8" t-molding pkg. (12" pc.)
1.50	8	4756B2531		4756B2531	shower threshold 3395
1.50		4756A4621		4756A4621	shower threshold 3394,97
.30		4060450002P		4060450002P	1/2" t-molding pkg. (7" pc.)
.25	9	4755A0061		4755A0061	cabinet side "short" (all)
.25	10	4755C0071		4755C0071	cabinet side "tall" (all)
.25				4755B0161	face plate (all)
.15				4757-6861	door panel 3395
				4752-3621	Note: refer to page 22 for fire extinguisher
.30				4756-4921	seat end 3395
.30				4060450002P	1/2" t-molding pkg. (7" pc.)
.15				4756-4901	seat front 3395
				4737-9138	drain adapter
.10				4714A2861	cap & strap
				4749-4131	shower drain gasket
				4741B9301	vent system
				4741A9331	trap adapter
				4752-3631	rubber washer
				4752-3621	p-trap w/union joint
				4746A1821	basket & strainer
				4755B0051	top shelf (all)
				4739E2908	screw cap m10
				4739-2918	screw cap washer m10



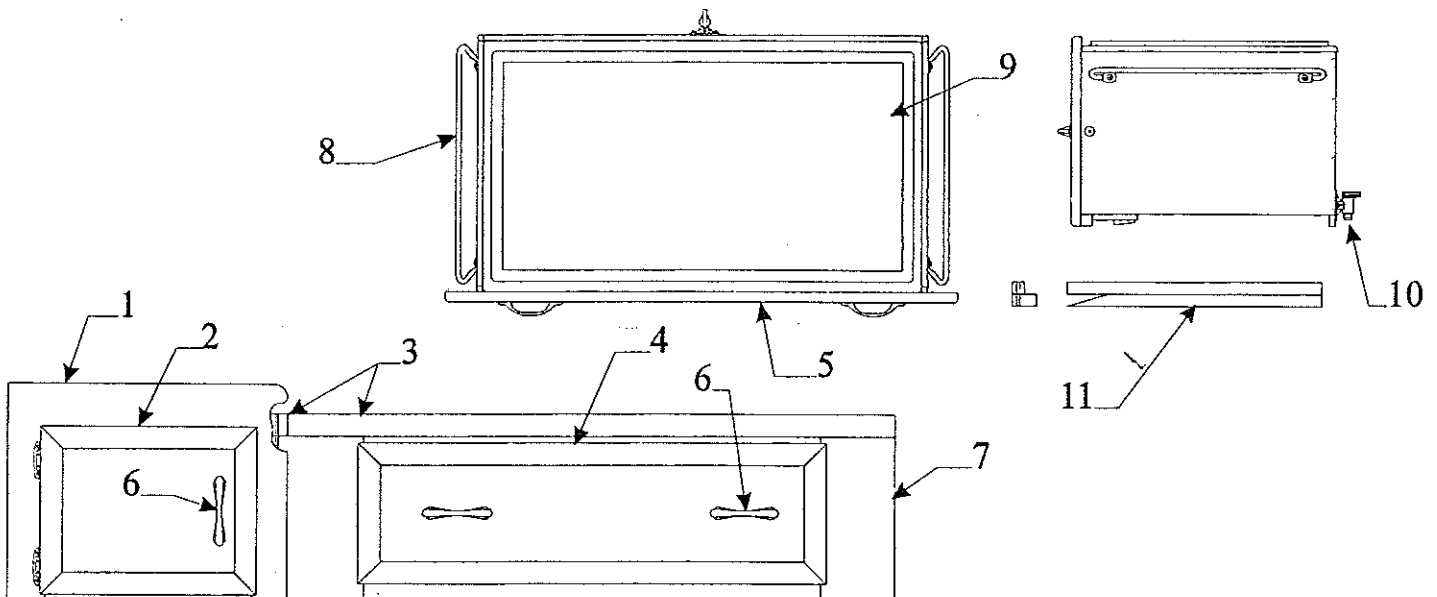
Flat Rate	CSR Cabinet W/ Flip-up Shelf 3395	Flat Rate	Code	Part #	Description
.25	1	4756-5951		4756-5951	flip-up shelf assy.
.20	2	4756-0291		4756-0291	flip-up shelf top
.30		4060400089P		4060400089P	t-molding pkg. (14' pc.)
.15	3	4756-0311		4756-0311	flip-up shelf support x2
.50	4	4756-0031		4756-0031	cabinet top
.35	5	4756-5961		4756-5961	pivot bracket
.15	6	4756-0061		4756-0061	cabinet side
.65	7	4716C0151		4716C0151	f-channel 24" pc.
.15	8	4756B6671		4756B6671	drawer assy. x2
.20	9	4752-2361		4752-2361	15 amp receptacle
.25	10	4756-0301		4756-0301	flip-up shelf back
.75	11	4756A0041		4756A0041	cabinet front
.10	12	4745C26188		4745C26188	hinge (spring loaded)
.10	13	4755-2681		4755-2681	door pull w/screws
.10	14	4753D5391		4753D5391	dr pnl. 13 3/4"x18 1/2"
.30	15	4756-6451		4756-6451	left pivot arm
.30	16	4756-6441		4756-6441	right pivot arm

1999 GRAND TOUR REPAIR PARTS

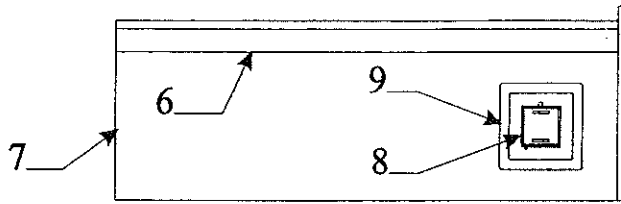


Flat Rate	Code	Part #	Description	Flat Rate	Code	Part #	Description
Roadside Hutch Assy. 3351,3378							
1.50	1	4756-4301	hutch top 3351	.10	7	4755-2681	door pull w/screws
1.50	2	4756B3831	hutch top (affixed) 3378	.10	8	4745C26188	hinge (spring loaded)
.50	3	4757A0181	hutch top (lift-up) 3378	.15	9	4757-6551	dr. pnl. 9 1/8" x 6 3/4" 3351
.30		4060462502P	t-molding pkg. (9' pc.)	1.50	10	*4756-4521	hutch front rt. 3351
.15	4	4756-5161	door pnl. 12" x 9 1/8" 3351	1.50		4756-3821	hutch front lt. 3378
.75	5	4755B1181	gazoodi 3351	.50	11	4754A0481	built-in cooler
		4756-0011	gazoodi 3378	.75	12	4752D4561	hutch front 3351
.30		4060400087P	lipped t-molding pkg. (12' pc.)	.75		4756A3811	hutch front 3378
.10	6	4743-3551	furnace grill	.65	13	4716C0151	f-channel 24" pc.
				1.25	14	4755B1171	hutch side lt. 3351

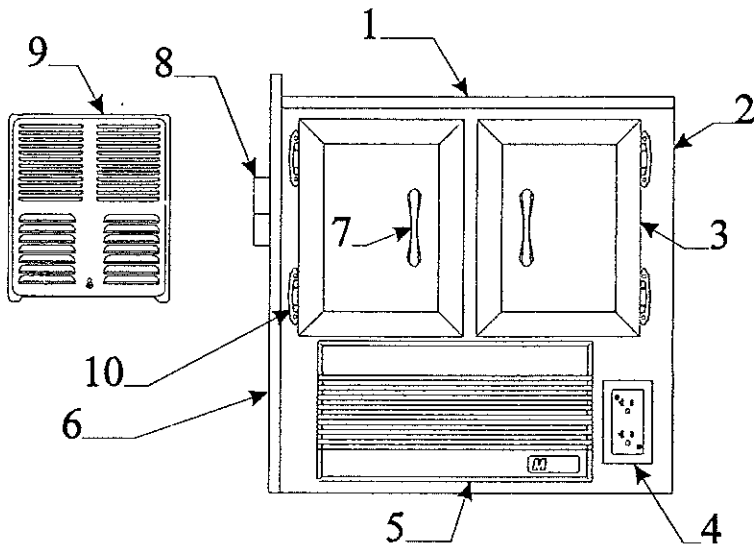
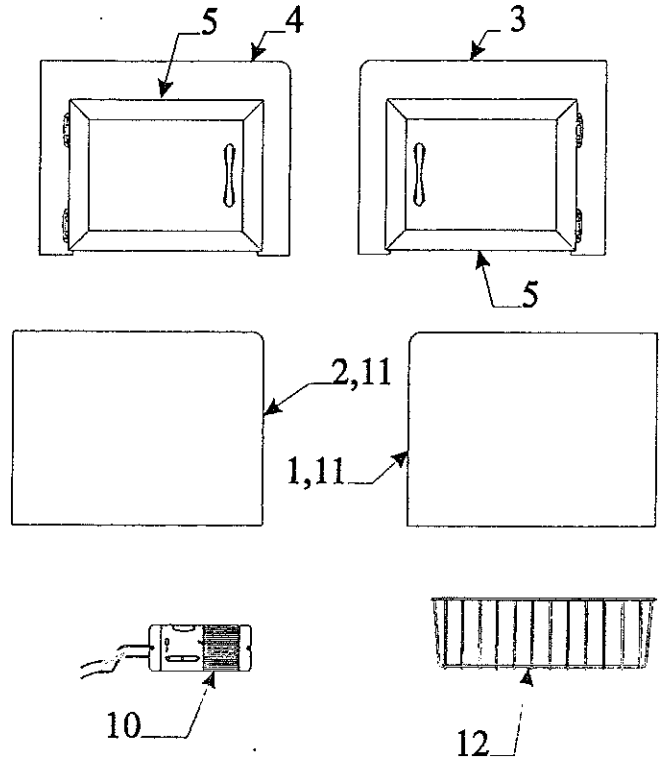
Flat Rate	Code	Part #	Description	Flat Rate	Code	Part #	Description
Cooler drawer/seat components 3351,88,78,91							
.40	1	4754A3451	seat end (csf) 3351,88,91	.15	5	4754A6791	drawer w/drop-in cooler 3351,88,91
.30		4060400087P	5/8" t-molding pkg. (12' pc.)	.10	6	4755-2681	door pull w/screws
.40		4755A0991	seat end (csr) 3378	.35	7	4754B420	wood fit. x2 3351,88,91
.30		4060450002P	1/2" t-molding pkg. (7' pc.)	.35		4757-0201	seat front 3378
.15	2	4756-5341	door panel 3351,88,91	.15	8	4744-8321	cooler leg x2
.15		4756B5341	door panel 3378	.15	9	4754-4481	drop-in cooler 3351,88,91
.50	3	4754A2391	table rest (must cut to size)	.20	10	4715G4381	drain
.15	4	4753E5451	drawer assy. 3378	.25	11	4754-4491	wood drawer track (lt.)
				.25		4754-4501	wood drawer track (rt.)



1999 GRAND TOUR REPAIR PARTS

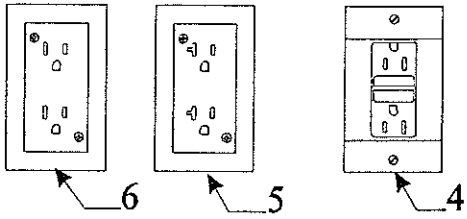


Flat Rate	Seat Bench Component Code	Part #	Description
.30	1	4755A1061	seat end csr 3351,97
.30		4755-8181	seat end rsf 3389
.30		4754A0351	seat end rsf 3396
.30	2	4755A1051	seat end csf 3351,97
.30		4755-8161	seat end rsr 3389
.30		4754A0371	seat end rsr 3396
.30	3	4754B0371	seat end rsr 3378,81,95
.30		4754A3451	seat end csf 3388,51,91
.30	4	4754B0351	seat end rsf 3378,81,95
.30		4755A0991	seat end csr 3378
.15	5	4756-5341	door panel 3381,88,51,91
.15		4756B5341	door panel 3378,95
.50	6	4754A2391	table rest (must cut to size)
.50	7	4716-2721	bench panel 13 5/8' x 48"
*	8	4752-8461	thermostat
.20	9	4747-8391	plastic base & bracket
.25	10	4753-9171	lp gas detector
.30	11	4060450002P	t-molding pkg. (7' pc.)
	12	4755-4491	wire basket 3378,3395

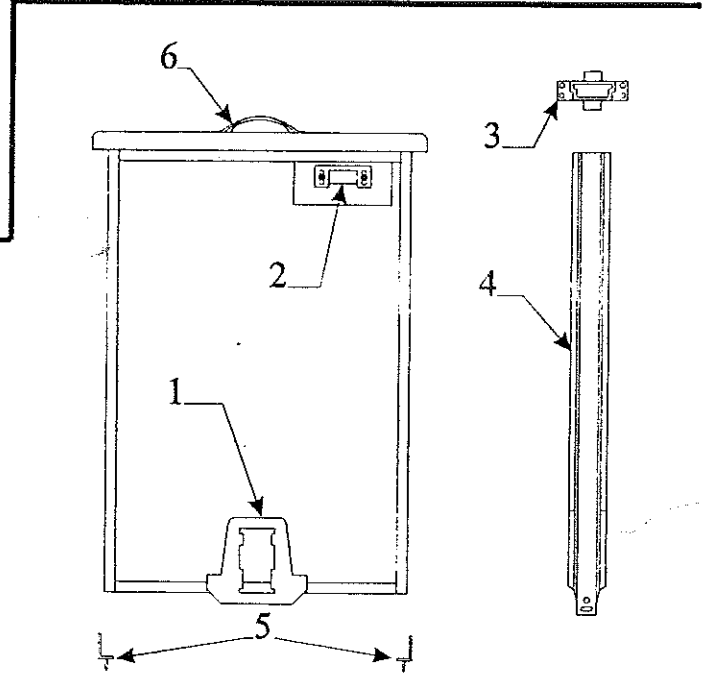
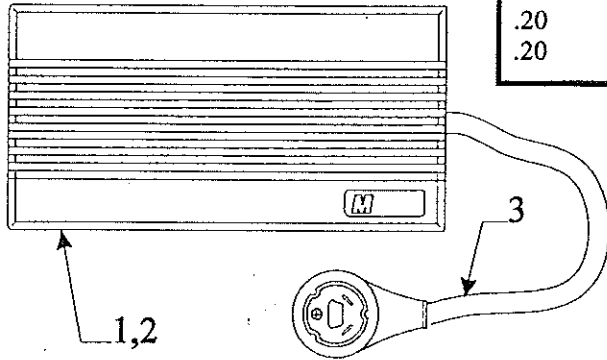


Flat Rate	RSF Corner Cabinet Assy. Code	Part #	Description
.25	1	4756-0081	cabinet top 3378,95
.25		4756A0081	cabinet top 3381
.75	2	4756-0071	cabinet front (all)
.15	3	4752D6901	door panel 3378,3395
.15		4756-5161	door panel 3381
.20	4	4752-2371	20 amp receptacle (all)
.20	5	4753A8201	converter (all)
1.00	6	4756-0011	gazoodi (all)
.10	7	4755-2681	door pull w/screws
.25	8	4755A8201	nylon block x2
.10	9	4743-3551	furnace grill
.10	10	4745C26188	hinge (spring loaded)

1999 GRAND TOUR REPAIR PARTS

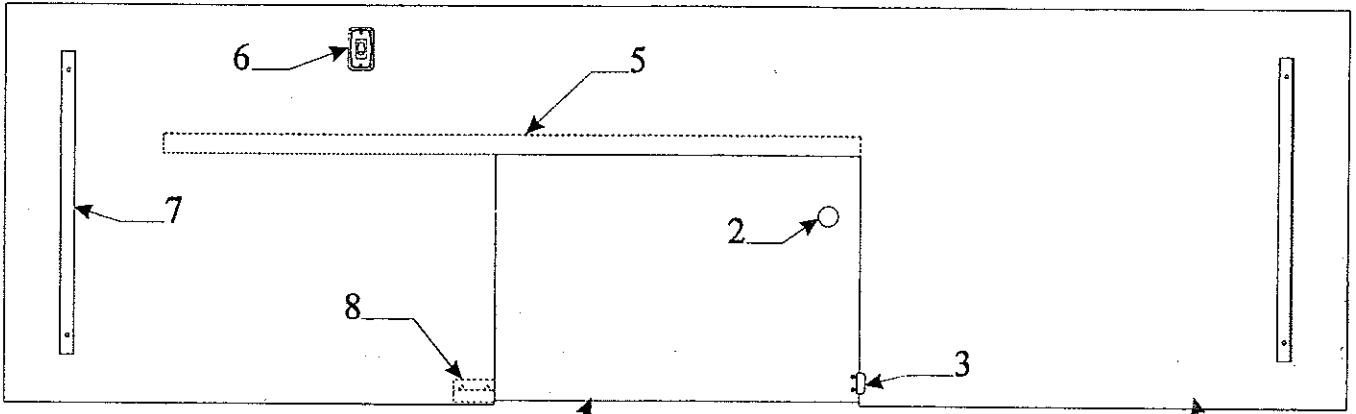


Flat Rate		Converter & Related Parts		
Rate	Code	Part #	Description	
1.00	1	4742B9811	converter 12 amp (6712 model w/charger)	
1.00		4753A8201	converter 20 amp (6720 model w/charger)	
.15	2	4716-1301	converter face cover (plastic)	
.60	3	4744-3101	power cord 30 ft.	
.35	4	4746B3841	GFI receptacle w/cover (wht.)	
.20	5	4752-2371	20 amp receptacle w/cover (wht.)	
.20	6	4752-2361	15 amp receptacle w/cover (wht.)	

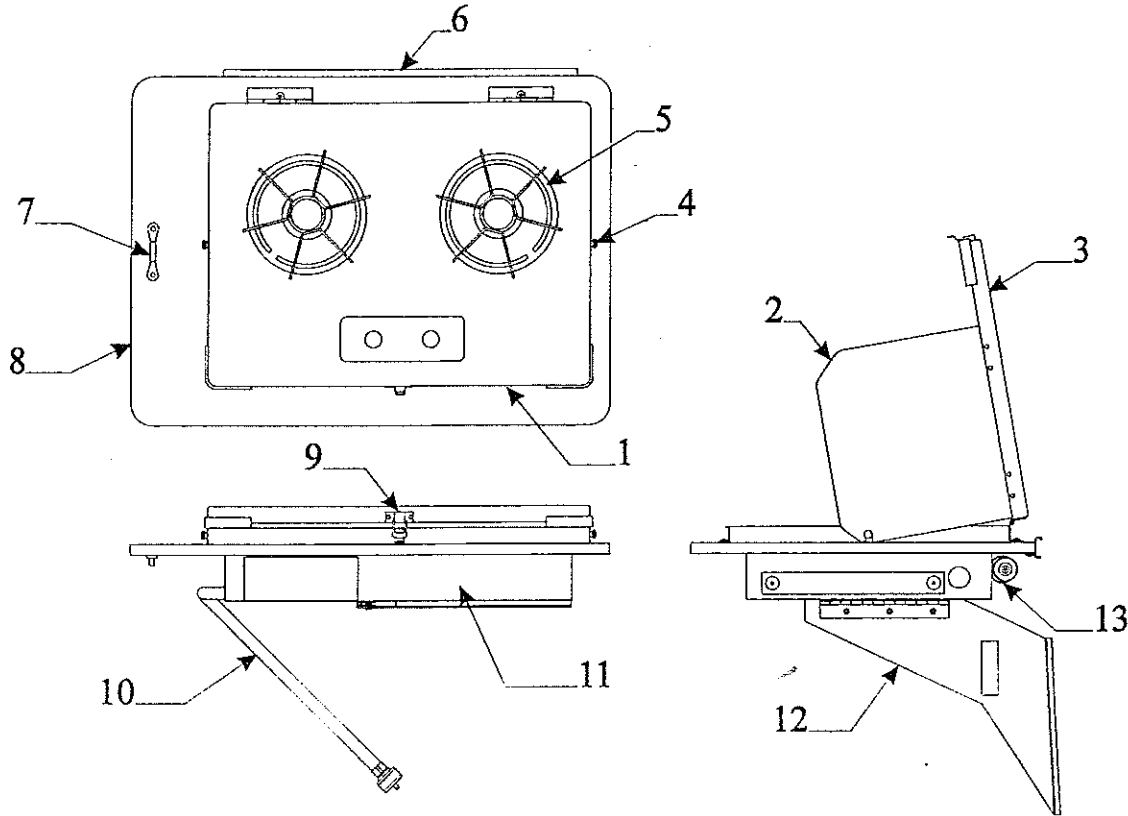


Flat Rate		Drawer Assy. Component Parts		
Rate	Code	Part #	Description	
.15	1	4749-8371	plastic base guide	
.15	2	4749-8381	plastic drawer latch	
.15	3	4749-8361	plastic guide socket	
.25	4	4754-0721	metal drawer guide	
.05	5	4749-8398	plastic corner tack	
.15	6	4755-2681	door pull w/screws	

Front Storage Wall W/Sliding Door Box Models				Flat Rate			
Rate	Code	Part #	Description	Rate	Code	Part #	Description
.25	1	4751E2691	sliding door panel (all)	4.00	4	4756B2081	wood bulkhead 3378,81
.15	2	4748A3951	door pull w/screw	4.00		4751G2681	wood bulkhead 3395
.20	3	4751A0901	door catch	.35	5	4716-4021	door/slide track 48" pc.
		4744B4608	rivet m25	.15	6	4751-1161	"lighted" rocker switch
4.00	4	4755A3401	wood bulkhead 3351	1.50	7	4754B3291	angle x2
4.00		4754B1881	wood bulkhead 3396	.15	8	4754-2861	door bracket pkg.
4.00		4757-0981	wood bulkhead 3397				



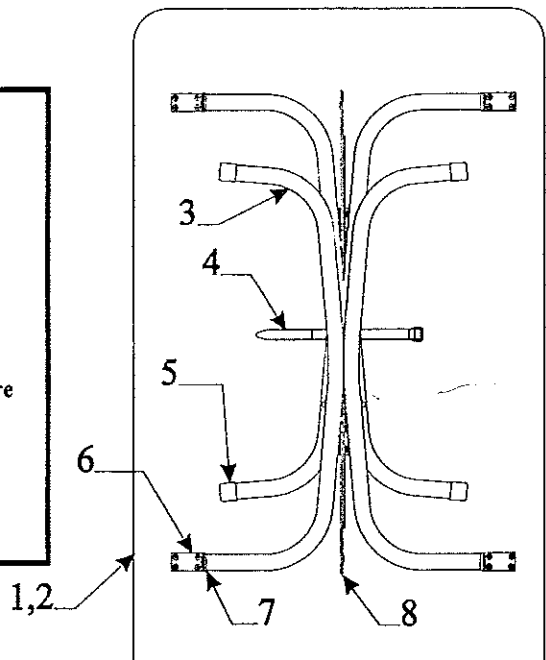
1999 GRAND TOUR REPAIR PARTS



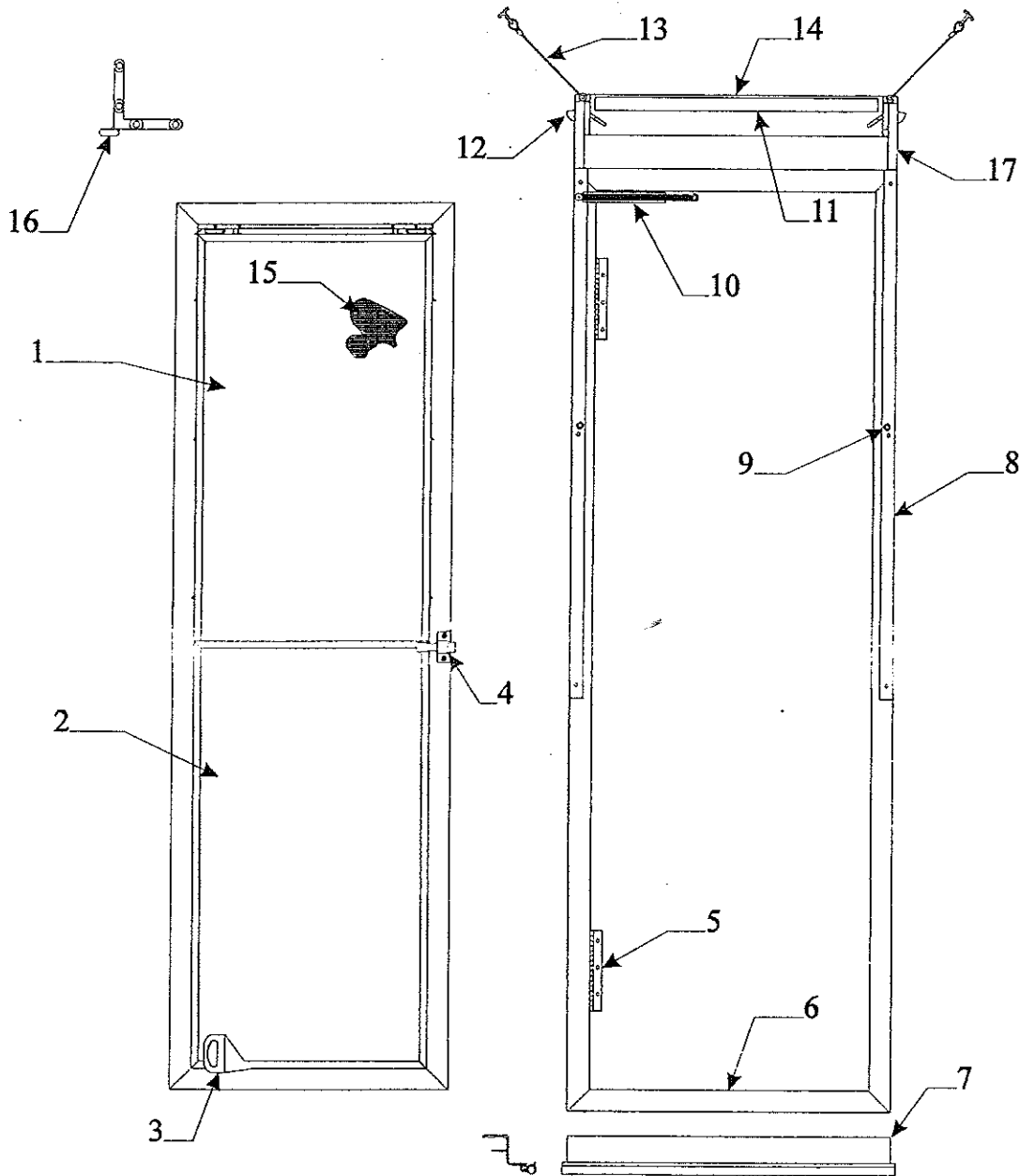
Black Vinyl Stove Pouch (4752-6601)

Flat Rate	Code	Part #	Description	Flat Rate	Code	Part #	Description
.15	1	4746A9491	porcelain cook top "black"	.60	8	4746E9391	counter top
.25	2	4749D99381	stove fin x2	.20	9	4733-4018	latch
.15	3	4749E6601	stove cover "black"	.10		4733-4028	latch strike
.05	4	4716A0881	thumb screw m6	.25	10	4746A9891	gas hose
.05	5	4716-1851	grate x2	.75	11	4746B9481	stove box
.35	6	4754-0471	stove hanger brkt.	.25	12	4746-9221	outside stove flap
.20	7	4733A4511	steel loop m2	.15	13	4734-2431	gripper clip m4

Flat Rate	Code	Part #	Description
.50	1	4754B0391	table top (39" x 30") 3388,89,96
.50		4756-8461	table top (39" x 26") 3397
.50		4754C3891	table top (39" x 28") 3394
.50		4755B0981	table top (39" x 30") 3351
.50		4755A3841	table top (39" x 28 3/4") 3378 ,81,95
.30	2	4060400089P	t-molding pkg. (14' pc.)
.50	3	4745F52781	table leg package
Note: pkg. includes 2 legs & required mounting hardware			
.10	4	4751A9711	strap & screw pkg.
	5	4752-0551	white plastic cap m2
	6	4720F1211	table leg mounting brace m2
		1103B101F	5/8" wood screw
.15	7	4752A0561	table leg insert cap m2



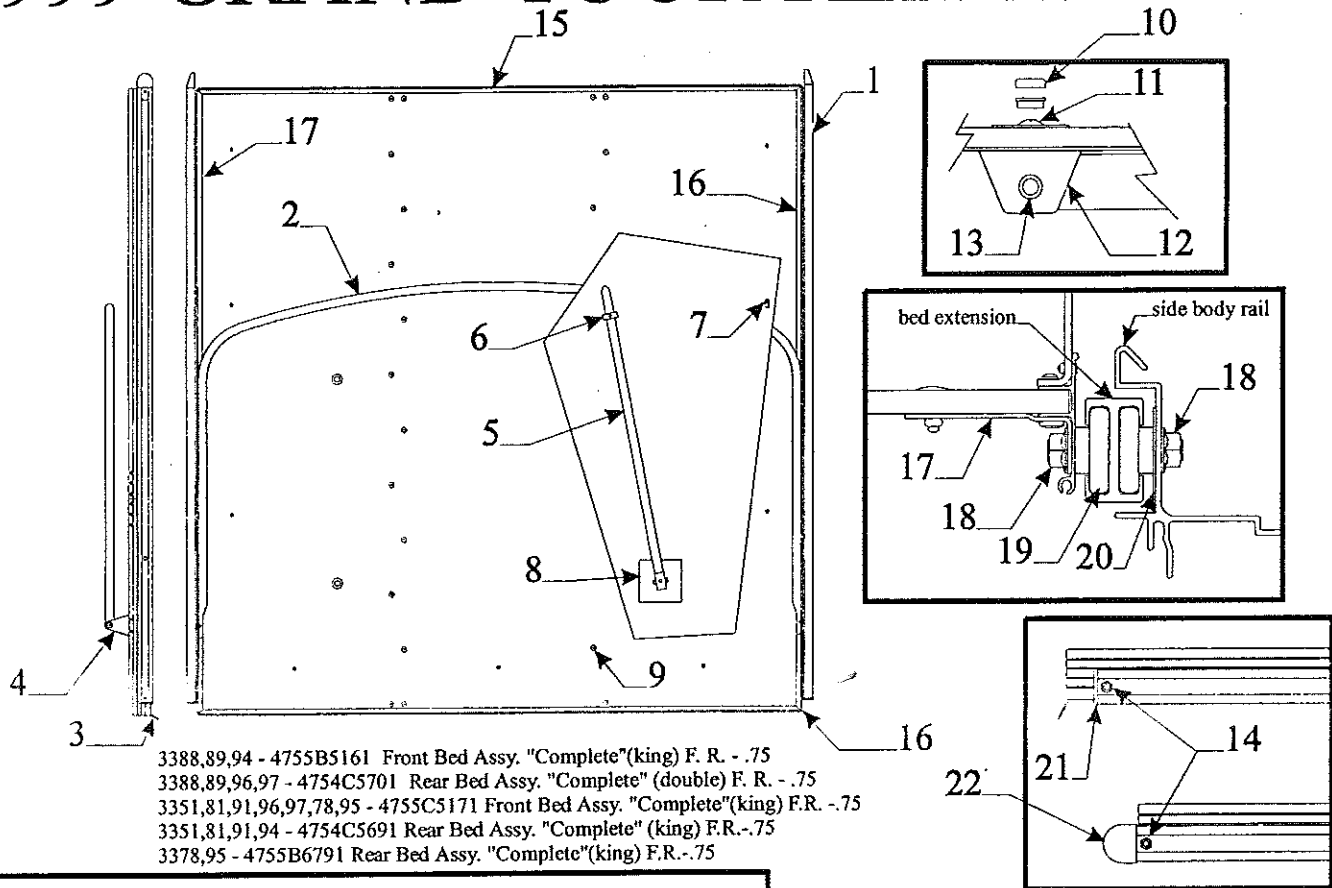
1999 GRAND TOUR REPAIR PARTS



Note: Parts Marked w/* Asterisk Are Excluded w/Screen Door

Flat Rate	Code	Part #	Description	Flat Rate	Code	Part #	Description
		4747L53781 Screen Door Assy. (all)					
.10	1	4716D3401	top sliding window pane	.50	11	4060000400F	d-seal (sold/foot)
.40	2	4716C3411	stationary window pane	.25	12	4741-8658	sash lock x2
.15	3	4750-3591	rubber seal (18" lengths)			4747A9231	rivet m25
		Note: around perimeter of window pane				1202B2698	washer
.15	4	*4742-9671	door latch assembly	.15	13	4734E5211	plastic spacer
.15	5	4720C3601	hinge x2	.50	14	4753-4501	top bracket
	6	1203-8641	rivet m25			1203-8641	rivet m25
.25	7	*4747B2011	screen door support	.10	15	4716-1381	screened stationary pane
		*4060000399F	rubber seal (sold/foot)	.75		4716-1111	screening 36" x 18 1/2"
.20	8	4754-3811	vel-stick & mounting hardware x2	.50	16	4710-3791	corner brace hinge m2
.05	9	4730A3548	stud w/screw x2		17	4350000119F	velcro loop "black" (sold/yd.)
.20	10	4731A8201	spring pkg.				

1999 GRAND TOUR REPAIR PARTS



Flat Rate	Front/Rear Bed Assy. Code	Components Part #	Description
*	1	4716U4031	bed extension (x2 per bed) Note: must cut to size if needed for rear bed assy.
.25	2	4714B1901	tent bow/leg package
.25	3	4060400339F	vinyl bed seal (sold/foot)
.15	4	4720G5631	bed bow bracket (x2 per bed)
.20	5	4734E5881	bed leg assembly m2 (x2 frt king/ x2 rear double beds)
.20		4753-3811	bed leg assembly (x2 rear king beds)
.15	6	4720C0771	bed leg clip m4
		1203-8831	rivet m25 (rivet clip to bed)
.15	7	4720D4021	lashing hook m6
		1203-8741	rivet m25 (rivet hook to bed)
.20	8	4737A4178	support plate
	9	1203C8721	rivet m25
	10	4739E2908	screw cap m10
		4739-2918	screw cap washer m10
	11	4716-074	screw
		1202B2528	washer
.20	12	4734A5141	bed leg bracket
	13	4720A2361	rod & pal nut
.20	14	1034B16128	flat head screw
		1201B6378	lock nut
1.50	15	4733D0921	inside bed frame (front bed)
1.50		4739C4631	inside bed frame (rear bed)
1.50	16	4744B9991	outside bed frame (front bed)
1.50		4720F1181	outside bed frame (rear bed)
.20	17	4755A2591	bed brkt. w/mounting hardware x4
	18	4739-2298	lock nut
.50	19	4754-8101	bed roller, nut, bolt, & washer pkg.
	20	1202B2908	washer
.15	21	4754-8631	bed slide end cap
.15	22	4754-4821	bed slide wedge

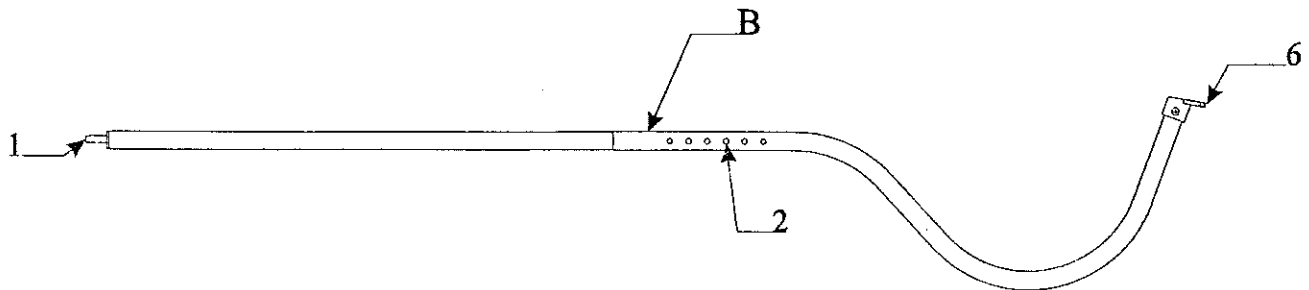
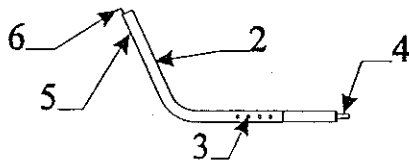
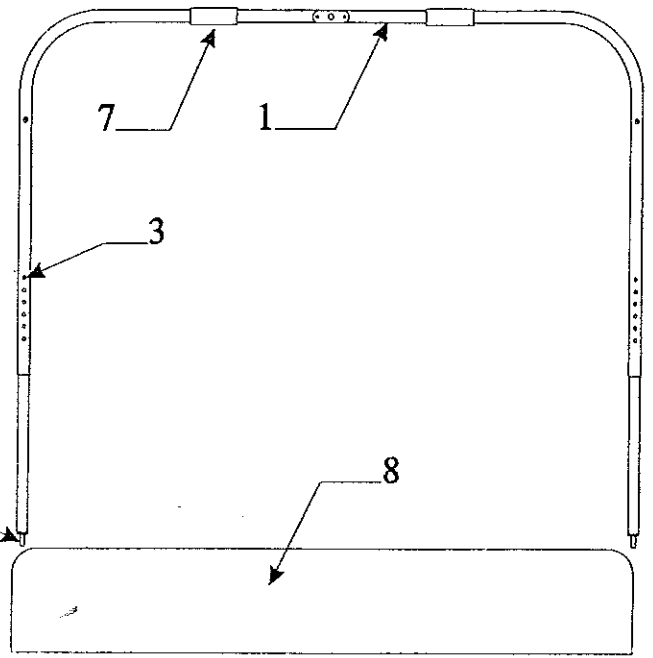
* .50 First Bed Extension
* .25 Second Bed Extension

Flat Rate
Mattress Assy. .10/Cover .50

<u>Mattress Assemblies & Covers</u>			
Model	Frnt. Matt. assy.	Frnt. Matt. Cover	
All except 3378,95	4754D5341	4716D5341	
3378,95	4748H6241	4716H6241	
Model	Rear Matt. assy.	Rear Matt. Cover	
3388,89,96,97	4754D5331	4716D5331	
3351,81,91,94	4754D5341	4716D5341	
3378,95	4748H6241	4716H6241	
<u>Mattress Size</u>			
King - 77" x 70" x 3 1/2"			
Double - 77" x 48" x 3 1/2"			

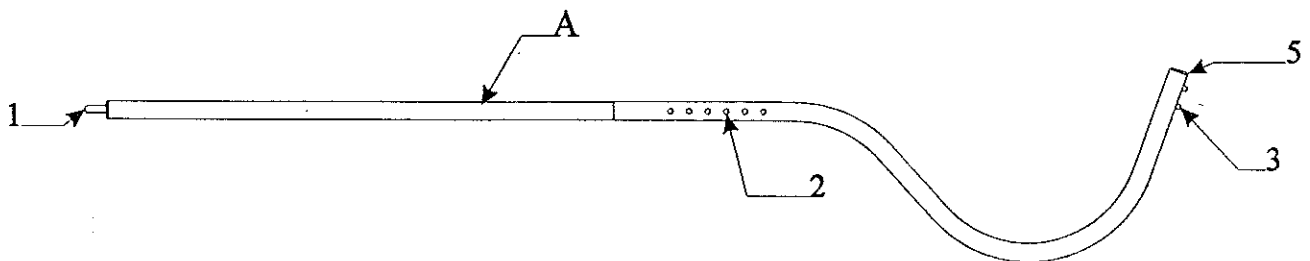
1999 GRAND TOUR REPAIR PARTS

Flat Rate	Tip-out/Glide-out Tent Bow Code	Tent Bow Part #	3351,78,81,91,95 Description
.10	1	4755-5611	tip -out tent bow 3351,78,91
.10		4756-2071	glide-out tent bow 3378,81,95
.05	2	4754A6761	tip-out tent support 3351,78,91
.05		4756-6661	glide-out tent support 3378,81,95
	3	4734-6708	snap spring x2
.20	4	8470-1728	black pin m10
	5	4734A6708	spring assembly
.10	6	4755-2111	hook bracket
		4733D0601	rivet m25
.10	7	4350000209F	2" x 2" velcro loop (sold/yard)
.10	8	4755-0971	tip-out support board

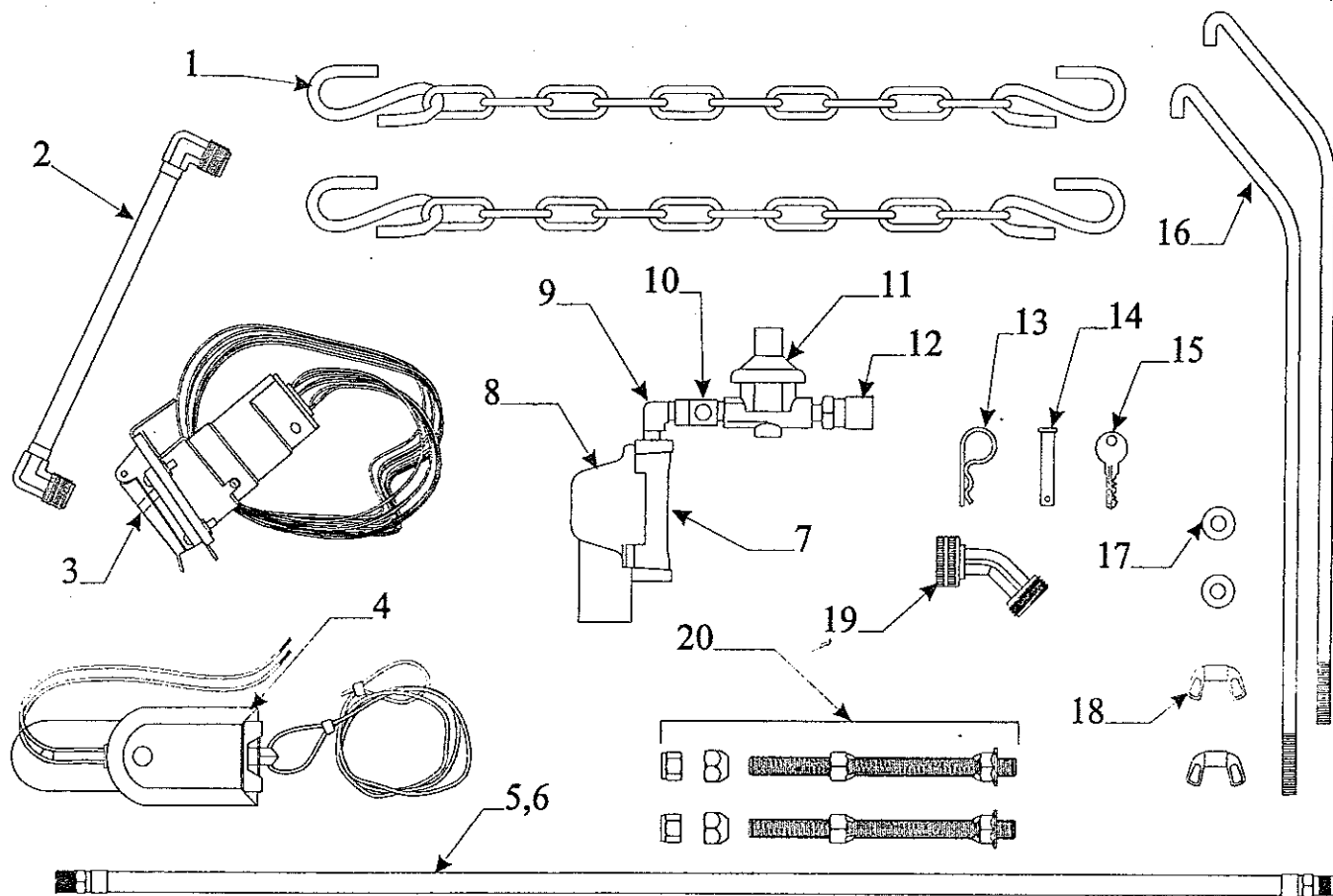


Flat Rate	Tent Support Components Code	Part #	Description
.20	1	8470-1728	pole pin "black" m10
.10	2	4734-6708	spring assy.
.10	3	4734A6708	spring assy.
.10	4	4730B4648	tube closure "white"
.10	5	4752-0561	tube closure "black"
.10	6	4757-1351	tent support tip w/screw

<u>Tent Support Assemblies (Complete) TYPE "A"</u>		
Flat Rate .10 per Tent Support		
Model	Front Bed	Rear Bed
3388,89,96,97	4741G5581	4741F5591
3351,81,91,94,78,95	4741G5581	4741G5581
<u>Tent Support Assemblies (Complete) TYPE "B"</u>		
Flat Rate .10 per Tent Support		
Model	Front Bed	Rear Bed
3388,89,96,97	4741H5581	4741G5591
3351,81,91,94,78,95	4741H5581	4741H5581



1999 GRAND TOUR REPAIR PARTS



4754A8521 Parts Package 3388,89,91,96,51,81

*4754C4391 Parts Package 3394,97

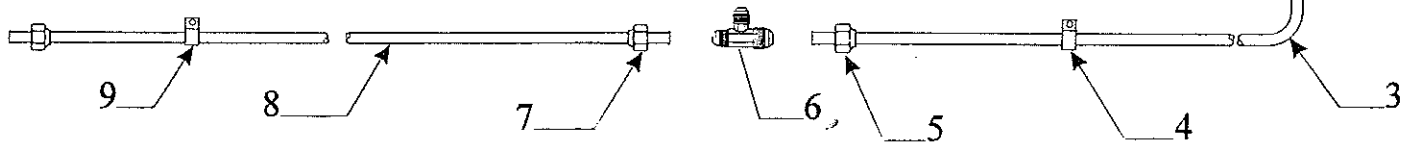
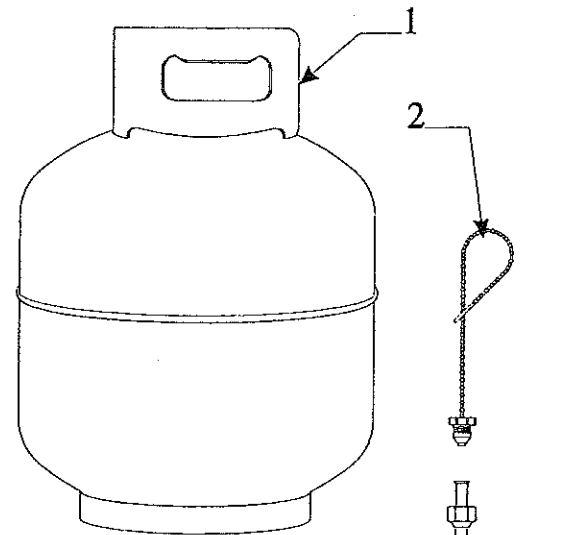
4750D6111 Parts Package 3378,95

*Note: parts package used on 3388,89,91,96,5,81 with standard factory hot water

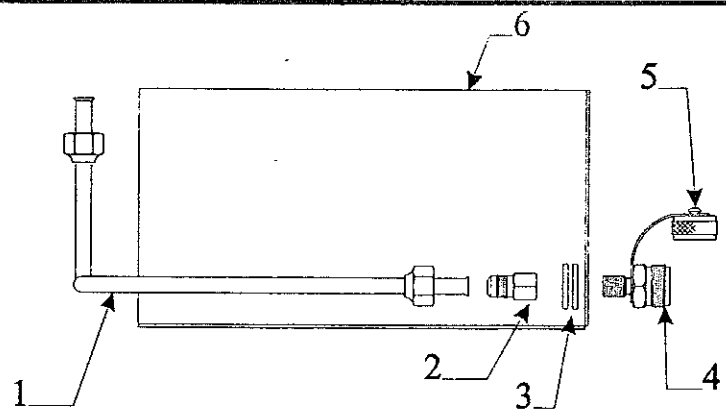
Flat Rate	Parts Code	Package Part #	Component Parts Description
	1	4749A9601	29" tow chain m2
	2	4746-5381	winterizing adapter
	3	4746A5591	pigtail "bargman"
	4	4746-0401	breakaway switch
.45	5	4737-8871	gas hose "low pressure" (w/hot water)
.45		4733A3991	gas hose "low pressure" (w/out hot water)
.45	6	4742-8081	gas hose "high pressure"
.45	7	4742-8051	regulator "low pressure"
	8	4746-4231	regulator cover (plastic)
	9	4742-8031	brass elbow
	10	4739-6998	brass elbow
.45	11	4742-8041	high pressure regulator
	12	4737-9308	POL adapter
	13	4732A4791	safety pin m10
	14	4771-2631	hitch pin m5
	15	4730B3211	key m10 # 8025 (gold plated)
	16	4733F6281	gas bottle mounting brkt. pkg.
			Note: pkg. includes (2) brkt.'s ,wing nuts,washers
	17	1202B0468	washer x2 m10
	18	1201-6258	wing nut x2
	19	4744-2651	gooseneck
	20	4747A5891	spare tire mount kit

1999 GRAND TOUR REPAIR PARTS

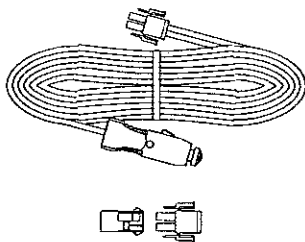
Gas System & Related Parts			
Flat Rate	Code	Part #	Description
.15	1	4720J5928	gas bottle (arctic white)
	2	4737-838	1/2" plastic cap & strap
		4733A3888	3/8" plastic cap & strap
.50	3	1/2" copper gas line purchase locally	
	4	1201-873	1/2" clamp "rubber coated"
	5	1215-243	1/2" flare nut
.50	6	1215-1781	brass tee - 1/2" x 3/8" x 3/8"
.50		1215-1771	brass tee - 3/8" x 3/8" x 3/8"
	7	1215-2418	3/8" flare nut
.50	8	4714-0711	3/8" copper gas line (100" pc.)
	9	1201-8708	3/8" clamp "rubber coated"



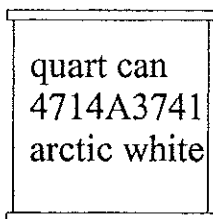
Outside Stove Hookup Components			
Flat Rate	Code	Part #	Description
.50	1	4714-0721	110" gas line & flare nuts
		1215-2418	3/8" flare nut
.40	2	4742-8061	female coupling
	3	1202B1068	washer x2
.40	4	4739-6978	cylinder adapter
.40	5	4742-8071	brass cap & strap
1.00	6	4742A8551	gas line protector 3378,95
1.00		4752D2011	gas line protector (all except 3378,95)



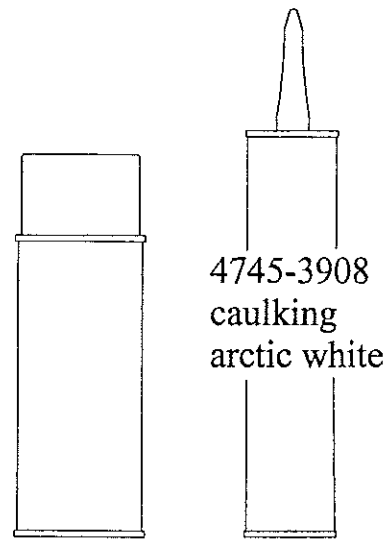
4733D6701 auto extension



4716A4701 12 volt cap & plug m2

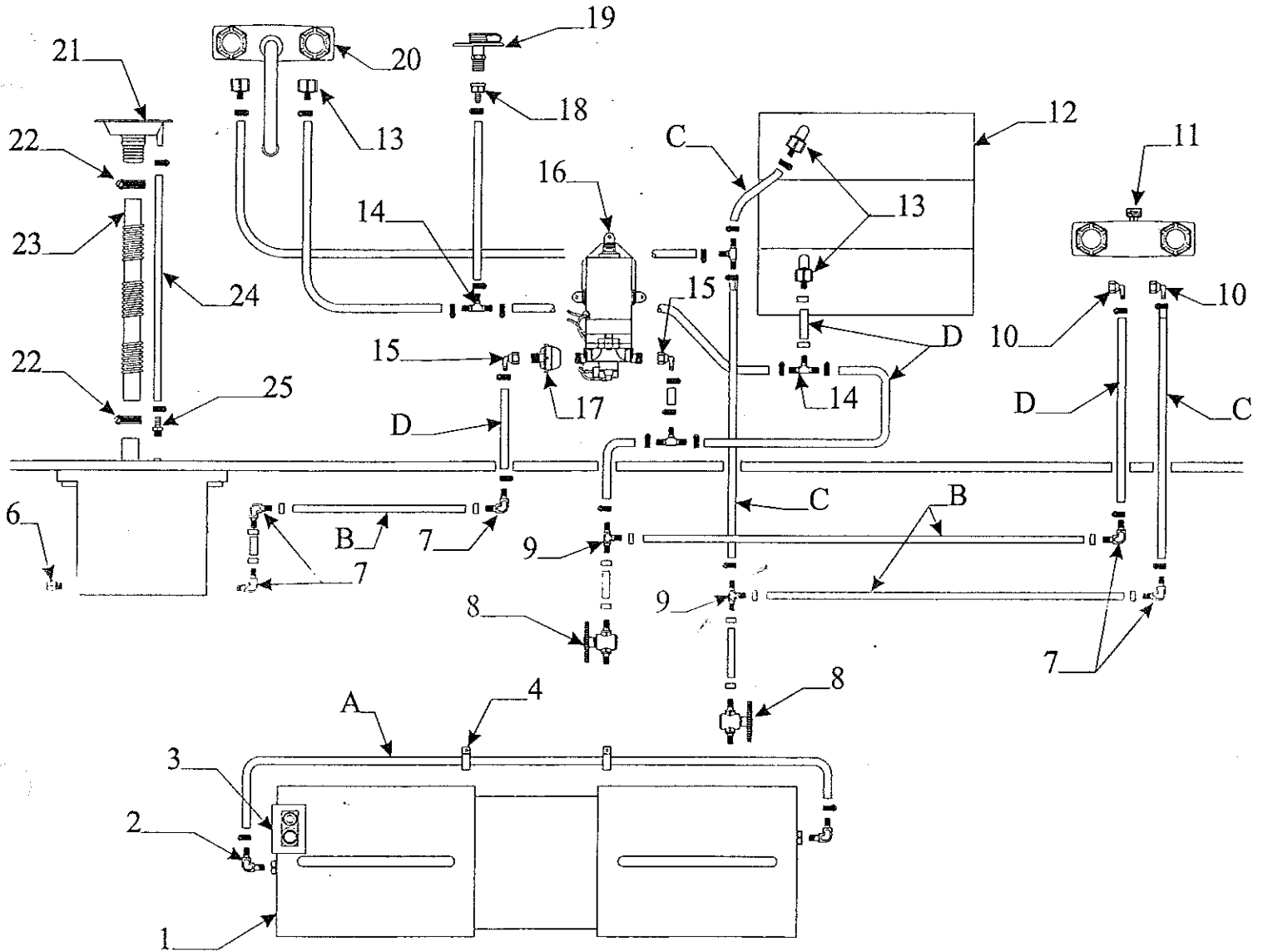


quart can
4714A3741
arctic white



16 oz. spray
0008-2561 arctic white
0008B2471 black

1999 GRAND TOUR REPAIR PARTS



A 4060000051 1/2" I.D. transparent tubing (sold/foot)

B 4060050001 3/8" I.D. grey plastic tubing (sold/foot)

C 4714-338 hot water hose 3/8" I.D. (sold/foot)

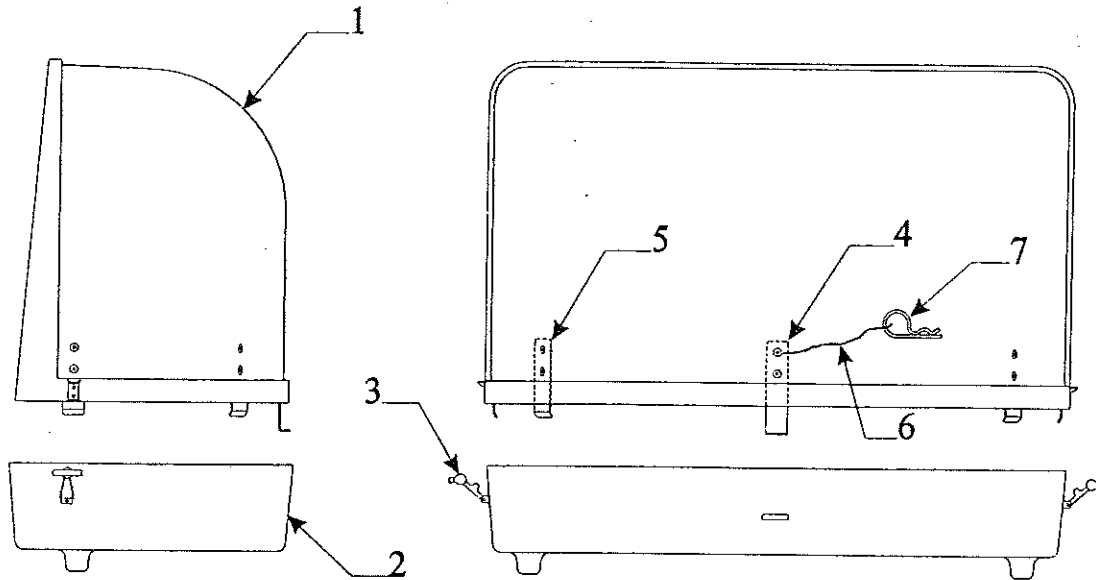
D 4714-038 3/8" I.D. H.P. hose (sold/foot)

Flat Rate	Water System & Related Parts	Flat Rate	Description
Code	Part #	Code	Part #
1.50	1 4757A0521	.25	10 4741-9068
	3388,3389,3396	.50	11 4741B2071
1.50	4757-0471	*	12 4750-3421
	water tank w/hot water	.20	13 4716-2341
	3388,89,91,94,96,97	.25	14 1218-1508
1.50	4756-8101	.25	15 4741-2351
	water tank 3351	.50	16 4741C5571
1.50	4756-2731	.25	17 4747A8311
	water tank 3378,81,95	.20	18 4741-9568
.25	2 4741C2371	1202-5828	rubber washer
.50	3 4742A8631	.30	19 4732F1521
	tank gasket 3378,81,94,95	1.00	20 4745E2741
.40	4 1201-865	.30	21 4731D1711
	tube clamp	.22	22 4715-4501
.20	5 4755-6581	.35	23 4731H1081
	tank hanger 3378,81,95	.20	24 4060050003F
.20	**4758-5391	.15	25 4732B4561
	tank hanger x2 3388,89,96		hose adapter
.20	4758-5381		
	tank hanger x2 3391,94,97		
.20	4756A5991		
	tank hanger x1 3351		
.15	6 1218-7001		
	plug		
.25	7 4741B2391		
	barbed elbow		
.20	8 4741C2361		
	line drain		
.40	9 4741B2381		
	barbed tee		

** Note: units w/factory hot water will use 4758-5381 hangers

* Warranted By Vendor

1999 GRAND TOUR REPAIR PARTS



Moled Gas Bottle Cover Assembly (4749K1341) 3378,3395

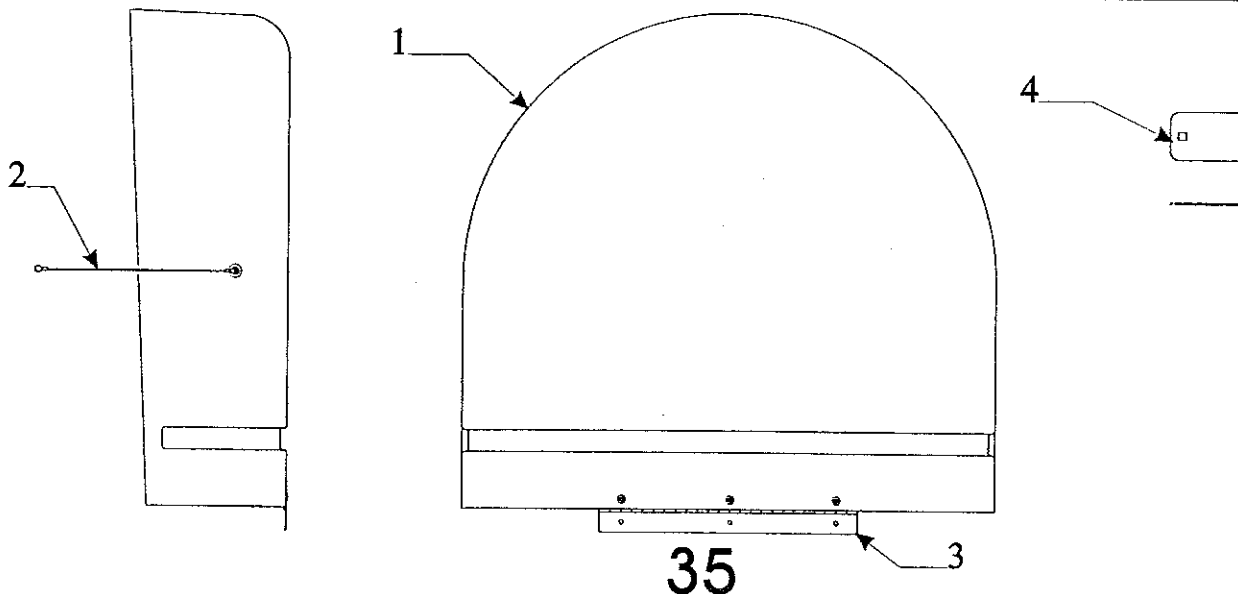
Flat Rate	Gas bottle cover components		
	Code	Part #	Description
.40	1	4716J1341	gas bottle cover (with hardware)
	2	4755-8081	gas bottle cover pan (less hardware)
	3	4755-8111	latch,strike & rivets (used x2)
	4	4755A8091	cover keeper & rivets (used x1)
	5	4755-8101	cover catch & rivets (used x4)
	6	4748-6111	safety cable
	7	4732A4791	safety pin m10

Molded Tire Cover Assembly (4753-6771)

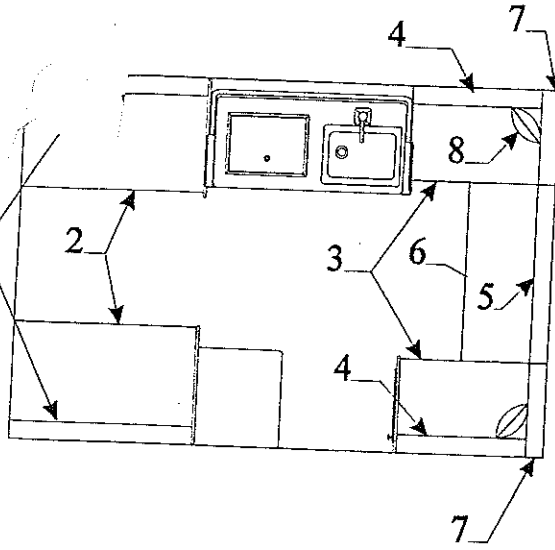
4716-6771 Hardware parts package

*Note:package includes items marked with asterisk **

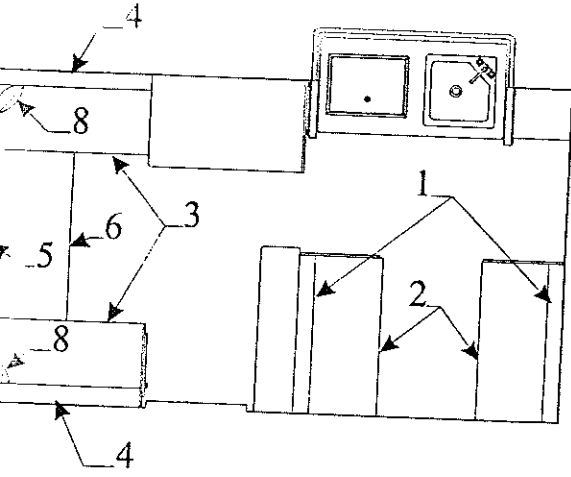
Flat Rate	Tire cover components			Code	Part #	Description
.25	1	4753A3661	spare tire cover (less hardware)	4	*4753-3651	keeper bracket
	2	4753A8041	cable		*4732-1181	grommet x1 m4
		1202E0408	washer x1		*1121C1618	screw x1
		4741D96568	expansion rivet m25		*4741D96568	expansion rivet x3 m25
	3	4753-8031	hinge		*1202B0268	washer x1
		4733D0601	rivet m25			



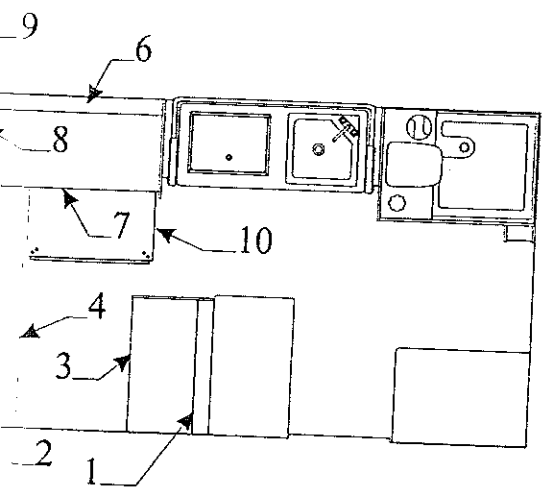
199 GRAND TOUR REPAIR PARTS



Flat Rate	Code	Part #	Description
Cushion & Backrest Assy.'s 3388 Sea Pine			
.10	1	4754C6361	backrest assy. 40 5/8" x 19 1/2" x 4"
.25		4716C6361	backrest cover
.10	2	4754C6381	cushion assy. 40 5/8" x 20 3/8" x 4"
.25		4716C6381	cushion cover
.10	3	4754C6371	cushion assy. 33 1/4" x 20" x 4"
.25		4716C6371	cushion cover
.10	4	4754C6341	backrest assy. 33" x 12 3/8" x 4"
.25		4716C6341	backrest cover
.10	5	4754C6351	backrest assy. 40 5/8" x 16 3/8" x 4"
.25		4714C6351	backrest cover
.10	6	4754C6391	cushion assy. 40 5/8" x 17" x 4"
.25		4716C6391	cushion cover
.10	7	4756B0411	backrest assy. 15" x 12 3/8" x 4"
.25		4716B0411	backrest cover
	8	4755A2861	throw pillow

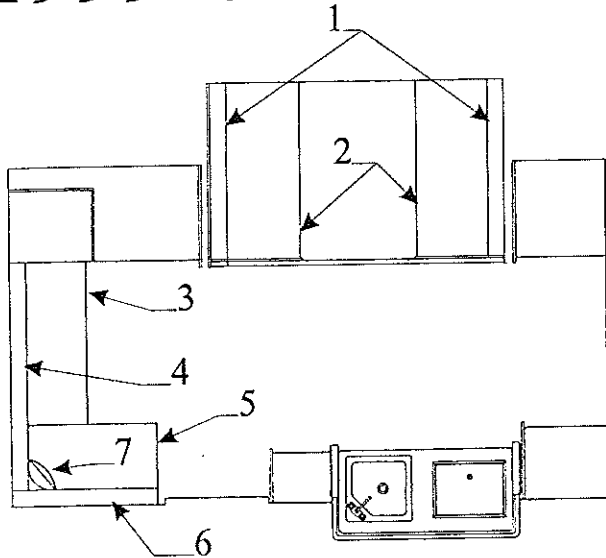


Flat Rate	Code	Part #	Description
Cushion & Backrest Assy.'s 3351 Mesa			
.10	1	4755C6321	backrest assy. 38" x 16 7/8" x 4"
.25		4716C6321	backrest cover
.10	2	4756C5631	cushion assy. 39" x 17 3/4" x 4"
.25		4716C5631	cushion cover
.10	3	4754C6371	cushion assy. 33 1/4" x 20" x 4"
.25		4716C6371	cushion cover
.10	4	4754C6341	backrest assy. 33" x 12 3/4" x 4"
.25		4716C6341	backrest cover
.10	5	4754C6351	backrest assy. 40 5/8" x 16 3/8" x 4"
.25		4714C6351	backrest cover
.10	6	4754C6391	cushion assy. 40 5/8" x 17" x 4"
.25		4716C6391	cushion cover
.10	7	4756B0411	backrest assy. 15" x 12 3/8" x 4"
.25		4716B0411	backrest cover
	8	4755A2861	throw pillow

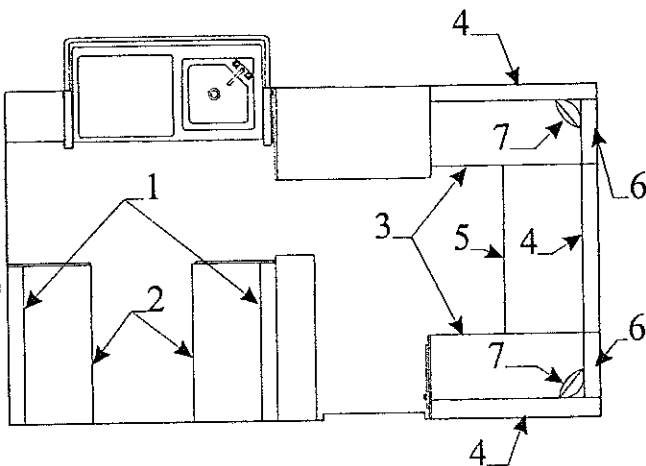


Flat Rate	Code	Part #	Description
Cushion & Backrest Assy.'s 3394 Westlake			
.10	1	4754C6581	backrest assy. 31 3/4" x 15 3/4" x 4"
.25		4714C6581	backrest cover
.10	2	4754D6701	backrest assy. 42 1/4" x 14 3/4" x 4"
.25		4716D6701	backrest cover
.10	3	4754C6611	cushion assy. 31 3/4" x 15 3/4" x 4"
.25		4716C6611	cushion cover
.10	4	4754C6621	cushion assy. 57 3/4" x 20" x 4"
.25		4716C6621	cushion cover
.10	5	4754E5991	backrest assy. 32 1/2" x 13 3/4" x 4"
.25		4716E5991	backrest cover
.10	6	4754D6591	backrest assy. 42 1/4" x 14 3/4" x 4"
.25		4716D6591	backrest cover
.10	7	4754C6631	cushion assy. 52" x 22 1/2" x 4"
.25		4716C6631	cushion cover
	8	4755A2861	throw pillow
.10	9	4756A8051	backrest assy. 14 3/4" x 9 3/4" x 4"
.25		4716A8051	backrest cover
	10	4756-8021	pullout platform w/legs
		4756-8011	platform legs x2

1999 GRAND TOUR REPAIR PARTS



Flat Rate	Cushion & Backrest Assy.'s 3378 Bayside		
	Code	Part #	Description
.10	1	4756B5541	backrest assy. 42 1/4" x 16 3/8" x 4"
.25		4716B5541	backrest cover
.10	2	4756B5581	cushion assy. 43" x 18 3/8" x 4"
.25		4714B5581	cushion cover
.10	3	4757-6591	cushion assy. 39" x 20 1/8" x 4"
.25		4716-6591	cushion cover
.10	4	4757-6581	backrest assy. 52 3/8" x 13 3/8" x 4"
.25		4716-6581	backrest cover
.10	5	4757-6601	cushion assy. 35" x 19 5/8" x 4"
.25		4716-6601	cushion cover
.10	6	4757-6571	backrest assy. 35" x 13 3/8" x 4"
.25		4716-6571	backrest cover
	7	4755A2871	throw pillow



Flat Rate	Cushion & Backrest Assy.'s 3391 Sun Valley		
	Code	Part #	Description
.10	1	4753C6061	backrest assy. 38" x 16 5/8" x 4"
.25		4716C6061	backrest cover
.10	2	4753C6031	cushion assy. 38 1/2" x 16 1/4" x 4"
.25		4714C6031	cushion cover
.10	3	4753D6021	cushion assy. 41" x 19 5/8" x 4"
.25		4716D6021	cushion cover
.10	4	4753C6071	backrest assy. 41 3/8" x 13 3/8" x 4"
.25		4716C6071	backrest cover
.10	5	4756B5381	cushion assy. 41 3/8" x 23" x 4"
.25		4716B5381	cushion cover
.10	6	4756B5401	backrest assy. 14" x 13 3/8" x 4"
.25		4716B5401	backrest cover
	7	4755A2861	throw pillow

Dinette Cushion/Backrest Assemblies & Covers

Flat Rate .10 Assembly - .25 Cover

Model	Cushion Assembly	Cushion Cover
3389,3396	4754D5241	4716D5241
3381 Utah	4757B5561	4716B5561
3395 Niagara	4756B5581	4714B5581
3397 Nevada	4756C5631	4716C5631

Cushion Button x2 - 4710-2681 m5

Model	Backrest Assembly	Backrest Cover
3389,3396	4754D5231	4716D5231
3381 Utah	4757B5591	4716B5591
3395 Niagara	4756B5541	4716B5541
3397 Nevada	4758-5741	4716-5741

CS Gaucho Cushion/Backrest Assemblies & Covers

Flat Rate .10 Assembly - .25 Cover

Model	Cushion Assembly	Cushion Cover
3396, 3381	* 4754F5561	4716F5561
3395 Niagara	4757-6761	4716-6761

Model	Backrest Assembly	Backrest Cover
3396,3381	4754E5571	4716E5571
3395 Niagara	4757-6771	4714-6771

*4753B5521 gaucho leg x2 - 3381,96

Cushion/Backrest Dimensions

Model	Cushion Assembly	Backrest Assembly
3389,3396	41" x 17" x 4"	41" x 19" x 4"
3381,3395	43" x 18 3/8" x 4"	42 1/4" x 16 3/8" x 4"
3397	38 1/4" x 17 3/4" x 4"	38" x 15" x 4"

Gaucho Cushion/Backrest Dimensions

Model	Cushion Assembly	Backrest Assembly
3396,3381	69 1/2" x 20" x 4"	70" x 12" x 4"
3395	42 5/8" x 23" x 4"	42 5/8" x 14" x 4"

1999 GRAND TOUR REPAIR PARTS

Drape Package (Less Valance Pkg.)

Note: Drape Pkg. Excludes Privacy Curtains x4

Must Order Separately

<u>Model</u>	<u>Drape Pkg.</u>	<u># Of Panels</u>	<u>Flat Rate</u>
3388,3389	4754D5711	5	.30
3391	4755B6181	7	.30
3396,97	4754C5501	5	.30
3394	4755B6461	6	.30
3351	4755A2971	7	.30
3381	4757A5531	6	.30
3378	4755A2981	4	.30
3395	4753D6451	6	.30

Drape Tab C-Shape m60 - 4750-2891

Flat Rate - .05

Valance Package - (4755A2771 - 3388,3389)

Flat Rate - .25 (4755A2781 - 3396,3397)
(4755A2791 - 3391,3394)
(4755A2801 - 3381,3351)
(4755A2821 - 3378,3395)

Privacy Curtain Pkg. (Set Of 2 Panels)

.15 4723F7921 - (all except 3378, 3395)
.15 4723F7901 - (3378,3395)

Single Drape Panel W/Safety Straps

.15 4716A7831 Single Drape Pnl. 43" x 45" (all except 3378,95)
.15 4716-8721 Single Drape Panel 35" x 45" 3388,3389
.15 4716A7821 Single Drape Panel 48" x 45" 3351,91,94,96,97
.15 4716A7851 Single Drape Panel 24" x 45" 3351,3381,3391,3394
.15 4716A9151 Single Drape Panel 15" x 45" 3351,3391
.15 4716-8711 Single Drape Panel 53" x 45" 3394
.15 4716-9141 Single Drape Panel 24" x 45" 3378,3395
.15 4716-9131 Single Drape Panel 48" x 45" 3395

Drape Tie Package (Qty. 1) - 4753C9801 (all except 3378,95)

Flat Rate - .05 4753C9811 (3378,3395)

Potty Curtain Pkg. 3381,3389 - 4756-8411 - Utah

(Factory Installed Potty Cab.) 4756-8401 - Santa Fe
Flat Rate - .20

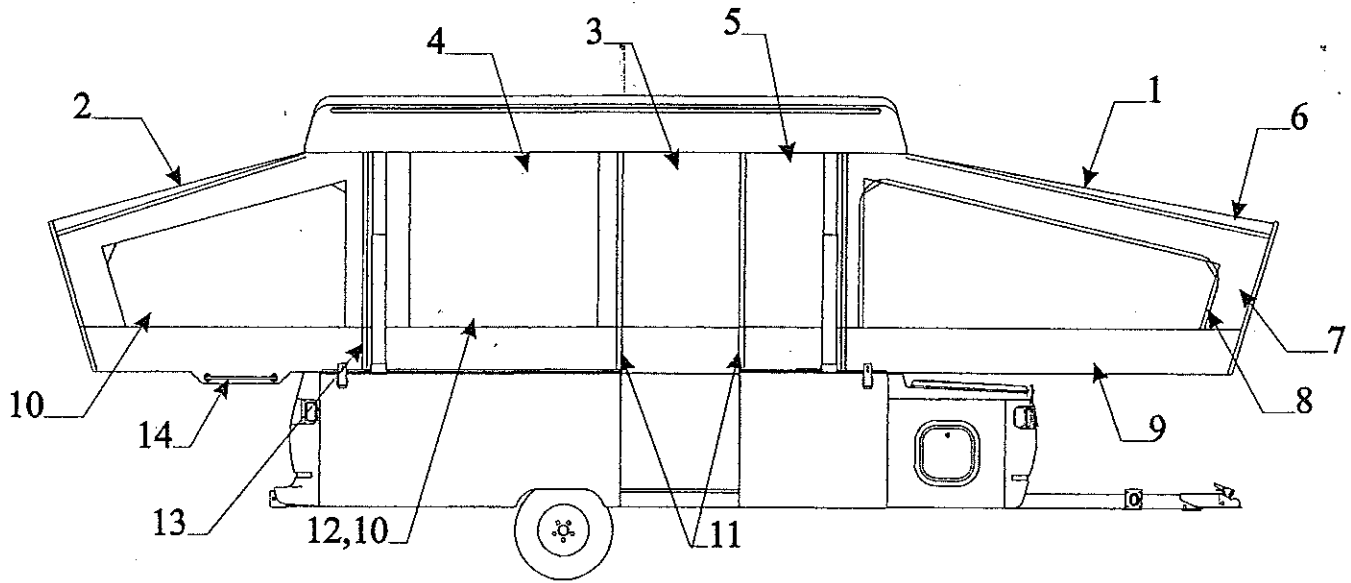
Dressing room curtain - 4753B9821 - 3394 / 4756A6331 - 3395

Flat rate - .20 4758-5981 - 3397

Shower curtain "white vinyl" - 4749A6661 - 3394,95,97

Flat Rate - .20

1999 GRAND TOUR REPAIR PARTS



Flat Rate	Code	Part #	Sunbrella Tenting & Components	Description
.40	1	4753B58691	front boot (all)	
.40	2	4753B58791	rear boot 3388,89,96,97	
.40		4753B58691	rear boot 3351,78,81,91,94,95	
.20	3	4753B59191	large window 3388,89,96,97	
.20		4755B64791	large window w/tipout 3351	
.20		4755B55891	large window w/tipout 3391	
.20		4755A67391	large window 3394	
.40		4756A6751	large window "glide-out" 3378,81,95	
.20	4	4753B59291	small window 3388,3389	
.20		4753B59491	small window 3396,97	
.20		4753B58991	small window 3391,94	
.20		4756A6761	small window "csf" 3351,81,95	
.20		4757A5871	small window "csf" w/tipout 3378	
.15	5	4753B59391	door seal 3388,89	
.15		4753B59591	door seal 3396,97	
.15		4753B59091	door seal 3391,94	
.15		4756A6771	door seal "csr" 3351,78,81,95	
	6	8119901429P	top vinyl package (80" x 3 yards)	
	7	4716C0851	sunbrella patch package (12" x 14")	
	8	6650500130F	zipper (sold/yard) used around window	
		1225-4461	zipper pull m5	
	9	8118801450P	bottom vinyl facing "green" (80" x 3 yds.)	
	10	4714E1611	screen package (84" x 3 yards)	
		4714A0361	screen package (84" x 13 yards)	
	11	4350000009P	1" velcro hook (10' pc. Pkg.)	
	12	4716-2401	clear window vinyl (41" x 2 yards)	
	13	1225G3768	45 1/2" side zipper pin half	
		1225G3758	45 1/2" side zipper slider half	
.50	14	4060000045F	shock cord (sold/foot)	
.50		4714B6021	shock cord & crimps m2 (two 14' lengths)	
		4724-2011	shock cord crimps m10	
	15	4060000024F	arrowhead seal (sold/foot)	
.30	16	4735D6721	extension harness	
.50	17	4743-1588	k-kote seam sealer	
	18	4728-5641	tent retainer pkg.	

1999 GRAND TOUR REPAIR PARTS

4753D59881 AUSA Top Assembly -3388 Santa Fe , 3389 Sea Pine
 4753E66081 AUSA Top Assembly - 3351 Mesa
 4758-5361 AUSA Top Assembly - 3378 Bayside
 4756D6001 AUSA Top Assembly - 3381 Utah
 4753D5761 AUSA Top Assembly- 3391 SunValley

4755C5191 AUSA Top Assembly - 3394 Westlake
 4753E6601 AUSA Top Assembly - 3395 Niagara
~~4753D59781 AUSA Top Assembly - 3396 Cheyenne~~
 4758A5881 AUSA Top Assembly - 3397 Nevada

ABS Tops
 Flat Rate 3.00
 1.50 For A/C
 1.00 For Crossbar
 1.00 For Disposal

Flat Rate	ABS Top Assembly Code	Components Part #	Description
.15	1	4750A9581	top strike x4 m2
		4744C2461	torx screw m2 (x2 per strike)
		1201B6958	keps nut (x2 per strike)
		1202E0408	washer (x2 per strike)
		4739A4191	vinyl cap m6 (x2 per strike)
.50	2	4753-1211	canopy track 137 1/2" (must cut to size)
.15	3	4741G11381	tent support bracket (x2 per top)
	4	4734C1861	rivet m25 (arctic white)
.15	5	4744C4741	double dome light x2
.10		4714H0891	dome light lens (x2 per light)
		1203-8741	rivet m25 (x4 per light)
		4753-3351	plastic spacer m12 (x4 per light)
.15	6	4715-6981	screen door retaining brkt. pkg. (frt./rr.)
		4060075008F	3/4" x 1" foam tape (sold/foot)
.10	7	4755-5231	shower curtain rod (3394,3395,3397)
.20	8	4749C5571	screen door storage bracket
		4734C1861	rivet m25 (hold brkt. to top)
		4749-2138	snap button m2
		1203-8631	rivet m25 (hold snap button to brkt.)
.15	9	4734E5211	screen door cable m2
.50	10	4753-1221	screen door track x2
.15	11	4723B5061	screen door strap x2
	12	1226D1381	stud w/rivet
	13	1203-9258	accordion rivet m25
	14	4753-3341	black push fastener m12
		4756-8281	valance hook m4 (ASUA tops only)
.25	15	4753A5961	lift pocket assy. x4
.10	16	4723A8071	2" x 2" velcro hook patch m4
.10	17	4724D0991	3/4" velcro strip m4
.50	18	4753C1161	side tent track (must cut to size)
.50	19	4753B 1201	tent tack front & rear
2.00	20	4716-2221	top seal m41
		4756-2751	top seal glue kit
	21	4716-2171	ABS top glue kit
.20	22	4753-2201	wardrobe hanger
		1203-8531	rivet m25 (countersunk head)
	23	4755-5241	curtain slide tab x10 (3394,95)
.15	24	4755-5221	shower rod strap x2 (3394,95,97)
.20	25	4750-1761	shower head bkrt. (3394,95,97)
.15	26	4755-5211	shower rod strap x2 (3394,95,97)
.15	27	4720D4021	lashing hook m6
		4741D96568	expansion rivet m25
.20	28	4733A4511	steel loop m2
		1203-8978	rivet m25 (countersunk head)
	29	4741D96568	expansion rivet m25
		4753-3351	plastic spacer m12 (both ends of track)
	30	4724F2631	velcro hook m6
.15	31	4756-8291	aux. lamp jack w/rivets
		4060031201P	white flexible tubing pkg. (1' pc.)
1.00	32	4757A5831	roof brace & mounting hardware
.10	33	4716-1591	top cover plate pkg. (2 covers & glue)
.30	34	4756-4761	wire cover w/2 sided tape

1999 GRAND TOUR REPAIR PARTS

