

1998 GRAND TOUR
REPAIR PARTS series

and

FLAT LABOR RATE SCHEDULE

3250 SUNRIDGE

3278 BAYPORT

3279 GRANDVIEW

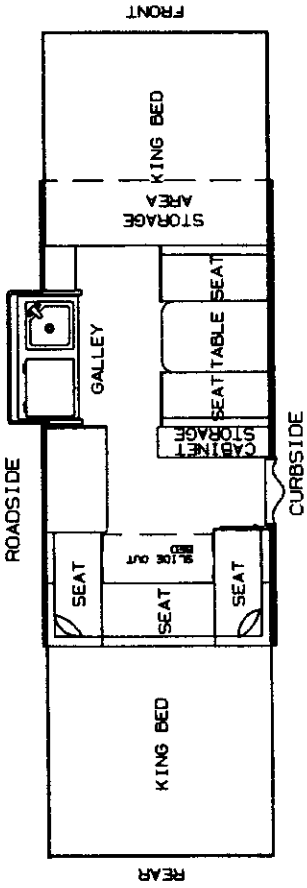
3280 GRANDVIEW SP

3282 CASA GRANDE'

3295 NIAGARA

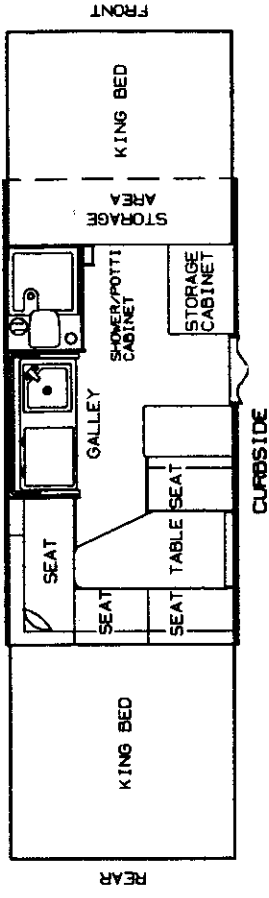
GRAND TOUR

3250 SUNRIDGE

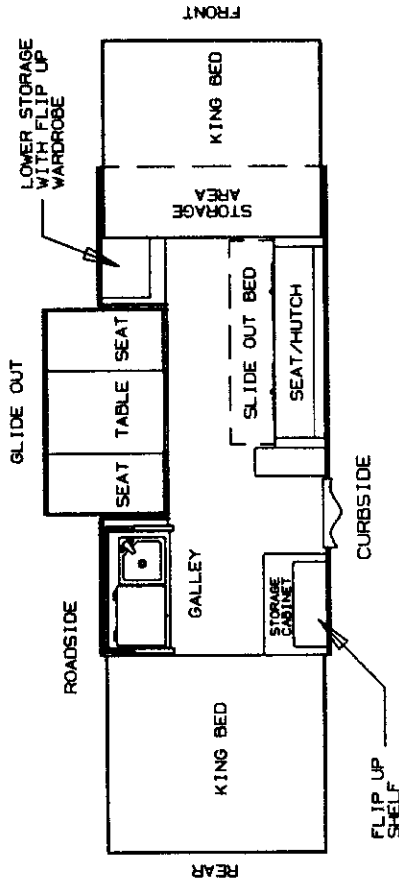


3295 NIAGARA

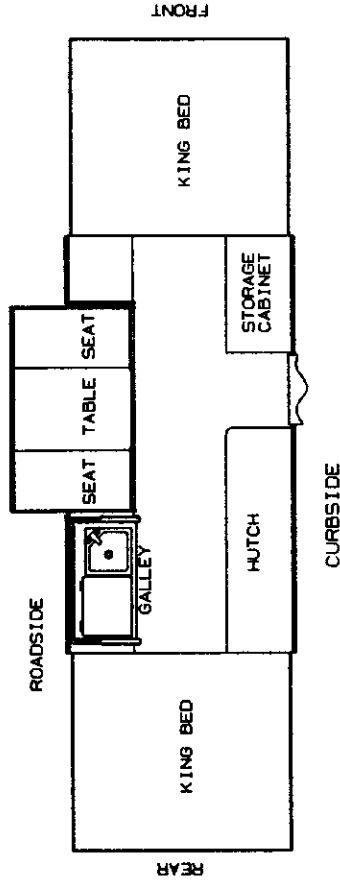
ROADSIDE



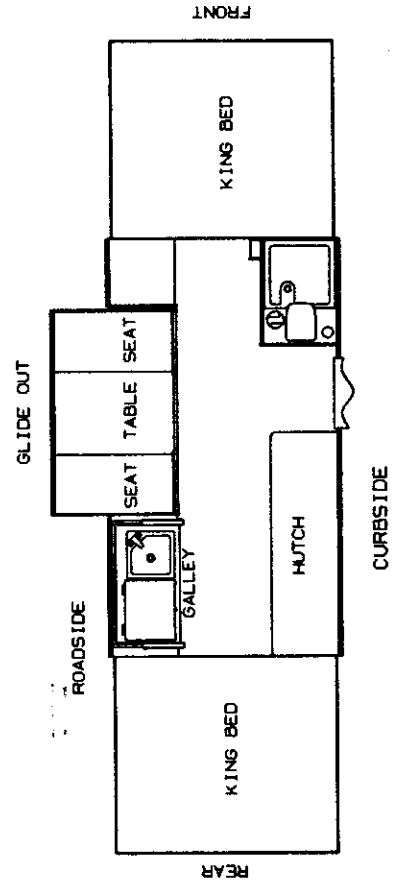
3278 BAYSIDE



3279 GRANDVIEW



3280 GRANDVIEW SP



3282 CASA GRANDE

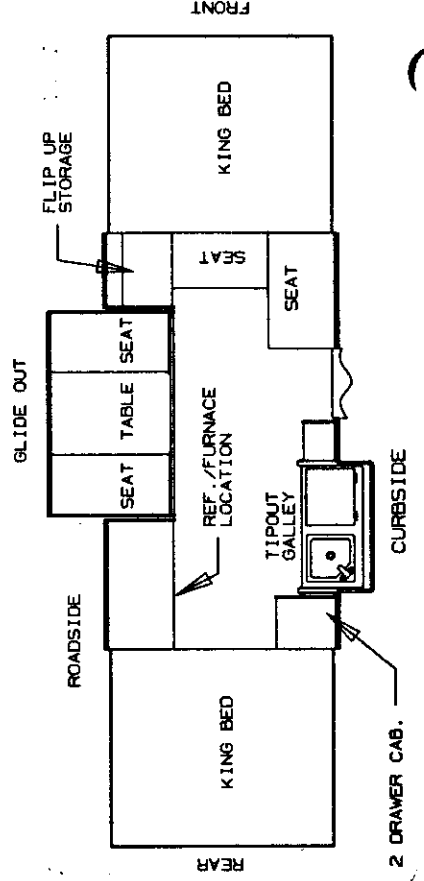


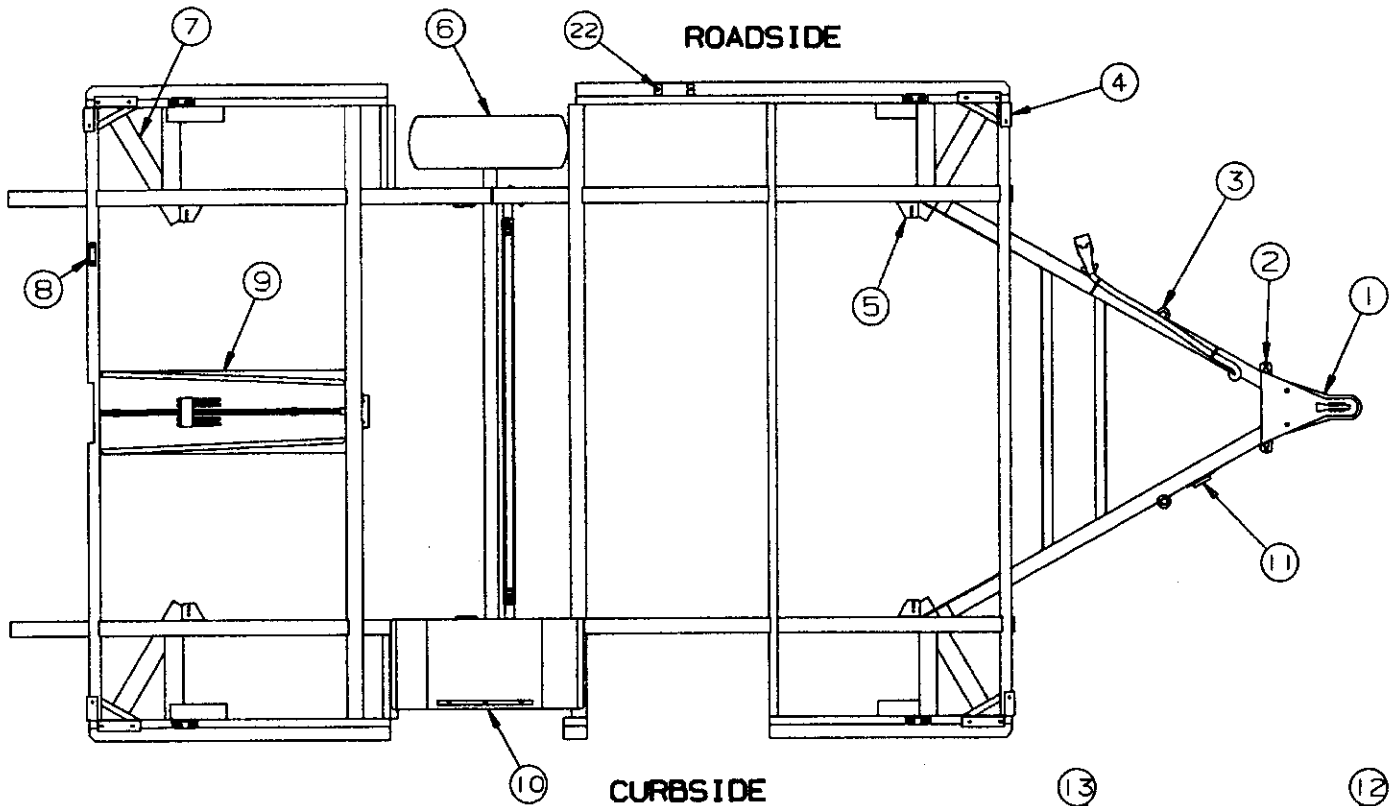
TABLE OF CONTENTS

DESCRIPTION	PAGE NUMBER
Access door bulkheads, frt/rear	11
Access door assembly & related parts	8
Axle assembly & related parts	6
Backrest assemblies & covers	30, 31
Bed assemblies & related parts	23
Bed extensions & related parts	23
Body panel left side (roadside)	11
Body panel right front (curbside)	9
Body panel right rear (curbside)	9
Body panel front & rear assembly & related parts	7
Body panel left side (glide-out models)	10
Bumper assembly & related parts	7
Cabinet assembly (cs center) 3250, 3295	16
Cabinet assembly (rsf corner cab) 3278, 3279, 3280, 3282	20, 21
Cabinet assembly (csf corner cabinet) 3295, 3279	16, 18
Cabinet assembly (rsr corner cabinet) 3282	21
Cabinet assembly (csr cabinet w/flip-up shelf) 3278	19
Caulking	31
City water fill	11
Converters & related parts	24
Cooler, (Built in Cooler)	13, 14, 17
Corner bulkhead assembly	2, 3
Coupler assembly	2, 3
Crank & sprocket assembly	4
Crank handle	2, 8
Cushion assemblies & covers	30, 31
Drain hose (used on sink assembly)	12, 13, 14, 15
Drape packages/single drape panels	32
Drawer assembly components	24
Dressing room curtain 3295, 3280	32
Electric water pump	29
Electric brake axle & components	6
Faucet assembly (upper galley assembly)	12, 13, 14, 15
Fire extinguisher	17
Fire extinguisher strap	17
Floor covering (6610707225P), (sold 14'x7 1/2' pc)	
Frame assembly & related parts	2, 3
Gas bottle & related parts	27
Gas lines & related parts (outside stove)	27
Gas hose (gas bottle hook up)	26
Gas detector	22
Heater vent	14, 15, 20, 21
Hub assembly & related parts	6
Hutch/bench (curbside) 3278, 3279, 3280	18, 19
Hutch assembly (roadside) 3250, 3279, 3280	17, 18
Hydraulic system & related parts, 3295	3, 16
Keys	26
Lift trim & miter covers	7
Lift assemblies & related parts	5
Lower galley assemblies & related parts	12, 13, 14, 15
Mattress assemblies & covers	23
Outside receptacle	9
Outside stove & related parts	25
Outside shower components	11
Paint (spray & quart can)	31
Paneling & trim	8
Parts package & related parts	26

Pigtail (car end)	2, 26
Power cord (converter)	24
Receptacles (ground fault)	24
Refrigerator vents	11
Regulator & fittings (gas bottle hook up)	26
Safety chains	26
Screen door & jamb assembly	28
Seat bench & related parts (dinette area)	22
Shower stall w/cassette potti components 3280, 3295	17
Shower head & hose	17
Shower curtain 3280, 3295	32
Shower curtain rod 3280, 3295	32, 33
Sink (upper galley assembly)	12, 13, 14, 15
Spare tire mount package	26
Stabilizer crank handle	2
Stabilizer assembly (screw down)	2, 3
Storage box compartment, 3250, 3278, 3295	6
Storage box front wall & related parts	24
Stove (upper galley assemblies)	12, 13, 14, 15
Sunbrella tent assemblies & related parts	31
Table assemblies & related parts	25
Taillights	7
Tent support poles & related parts	22
Thermostat (Hydro Flame)	22
Thrust nut	5
Tipout & glideout tent bows	27
Tire & rim	2, 3
Tongue jack & related parts	4
Top assemblies & related parts	32, 33
Trim tape kits	8, 9, 10, 11
Upper galley assemblies & related parts	12, 13, 14, 15
Upper galley lift bar & related parts	12, 13, 14, 15
Valance package	32
Wardrobe cabinet, 3278	20
Water heater door	6
Water system & related parts	29
Water tank	29
Water heater	29
Wheel well assembly	2, 3
Whiffletree & related parts	5
Zipper (Sunbrella tent assembly)	31

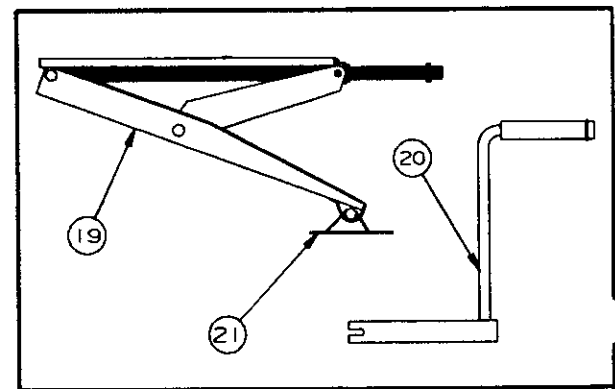
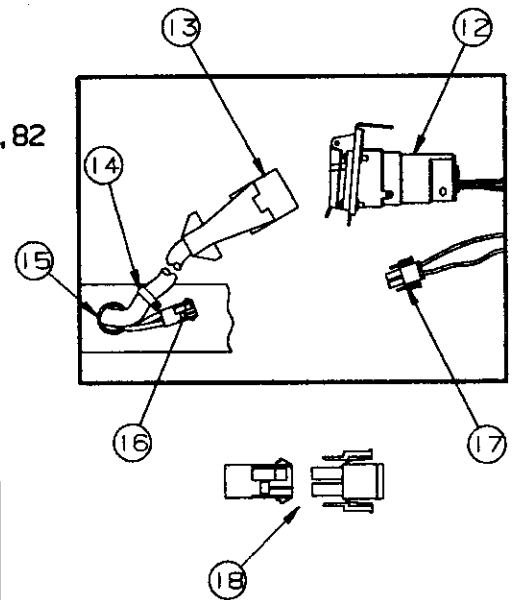
Axle - Dexter	219/295-1900
Cassette Potti - Thetford	800/521-3032
Converter - Magnetek	219/356-7101
Furnaces - Hydro Flame #7916-11 Model	800/831-7531
Hand Pump - Shurflo	800-762-8094
Mix Faucet - Kevco	219/262-2531
Range - Atwood Greenbrier	800/646-8557
Refrigerator - Norcold	800/543-1219
Tires - Duro	800/966-8473
Water Heater - Surburban	423/775-2131

1998 GRAND TOUR SERIES

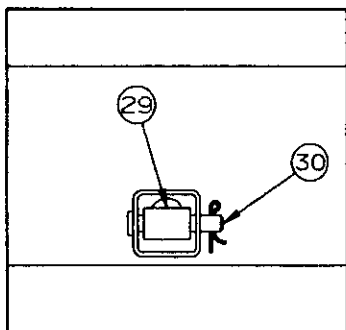
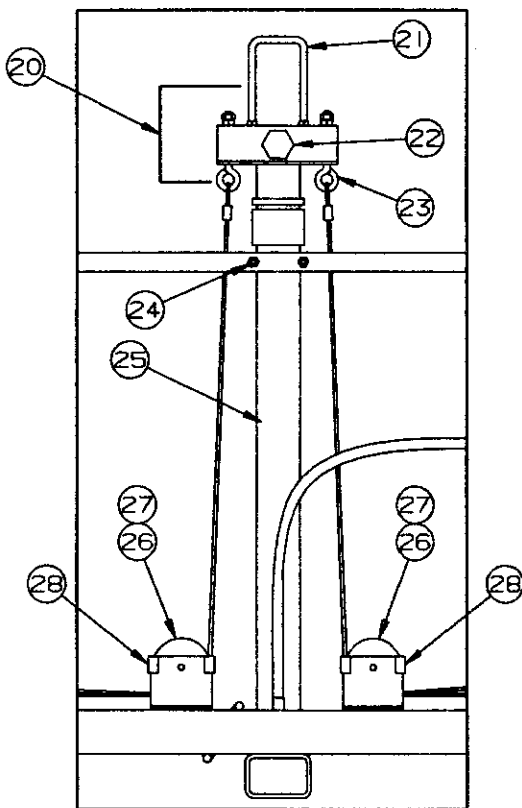
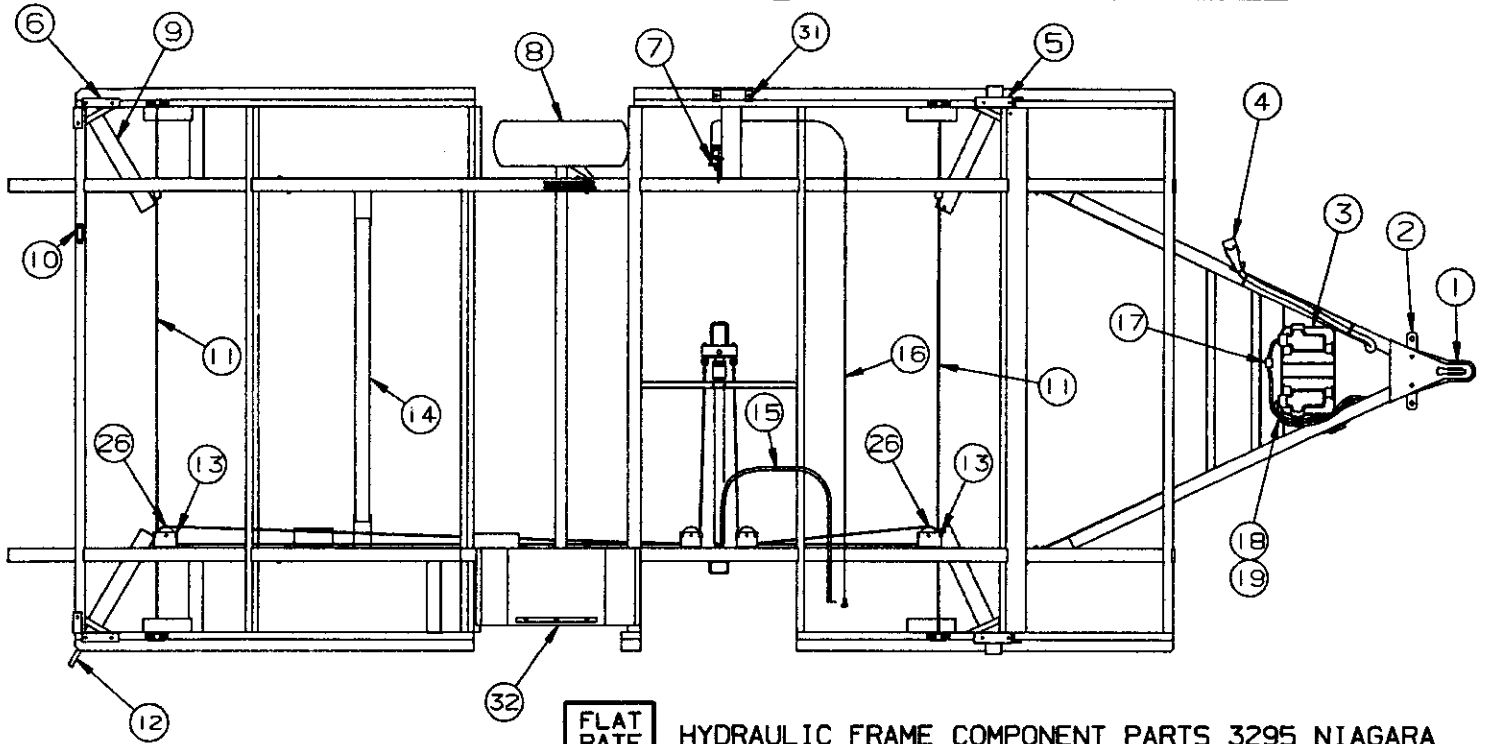


FLAT RATE MAIN FRAME ASSY. COMPONENT PARTS 3250, 78, 79, 80, 82

1.50	①	4742-2001	2" COUPLER ASSEMBLY
.25		4714A2211	2" COUPLER REPAIR KIT
.75	②	4748-6611	CHAIN BAR W/PINS (3279, 80, 82)
.75		4720A3561	CHAIN BAR (3250, 78)
.10	③	4747-8941	PIN COVER M2 (PLASTIC) (3250, 78)
2.00	④	4739D6081	CORNER BULKHEAD LT. FRT./RT. RR. (ALL)
2.00		4739D6071	CORNER BULKHEAD RT. FRT./LT. RR. (ALL)
NOTE: MODELS 3250, 78 WILL USE FRONT BULKHEADS LISTED BELOW			
2.00		4754A6231	FRT. BULKHEAD CSF 3250, 78
2.00		4754A6241	FRT. BULKHEAD RSF 3250, 78
		1203C8751	RIVET M25 (RIVET BULKHEAD TO FRAME)
1.50	⑤	4732C3678	ADJUSTABLE PULLEY BRKT. x4
.25		4715A5371	PULLEY & BEARING M10
		4720C1578	SHORT PIN M4
		1204B1081	COTTER PIN M10
.25	⑥	4753D8168	TIRE & RIM 13" SPOKED LOAD RANGE "D"
	⑦	4755-6631	STABILIZER SUPPORT PLATE (ALL 4 CORNERS)
1.00	⑧	4741E560	SPARE TIRE SUPPORT
.25	⑨	4752B4921	WHIFFLETREE PAN COVER
		4744-050	HEX HEAD TEK SCREW x6
2.00	⑩	4754C0531	WHEEL WELL ASSEMBLY x2
.75	⑪	4720A3331	JACK BRACKET
	⑫	4746A5591	PIGTAIL (BARGMAN) CAR END
	⑬	4746-9811	WIRE HARNESS (BARGMAN)-CT FRONT
		4742-8961	BRAIDED NYLON SLEEVE
	⑭	1201-8738	CLAMP 3/8"
		1203-8968	ALUMINUM RIVET M25
	⑮	4742-8108	1 1/4" SNAP BUSHING
	⑯	4716-5001	12 VOLT POWER HARNESS
.15	⑰	4749A5531	12 V WIRE HARNESS M2 (CONNECTS TO BATTERY)
	⑱	4716-4701	12 VOLT CAP & PLUG M2
.25	⑲	4751A3351	STABILIZER (SCREW DOWN) x4
		4751-8208	TAPPING SCREW (3 PER STABILIZER)
	⑳	4747F4141	CRANK HANDLE
.40	㉑	4755-6841	SAND SHOE (SET OF 4)
	㉒	4720H153	SIDE BULKHEAD



REPAIR PARTS/FLAT RATE

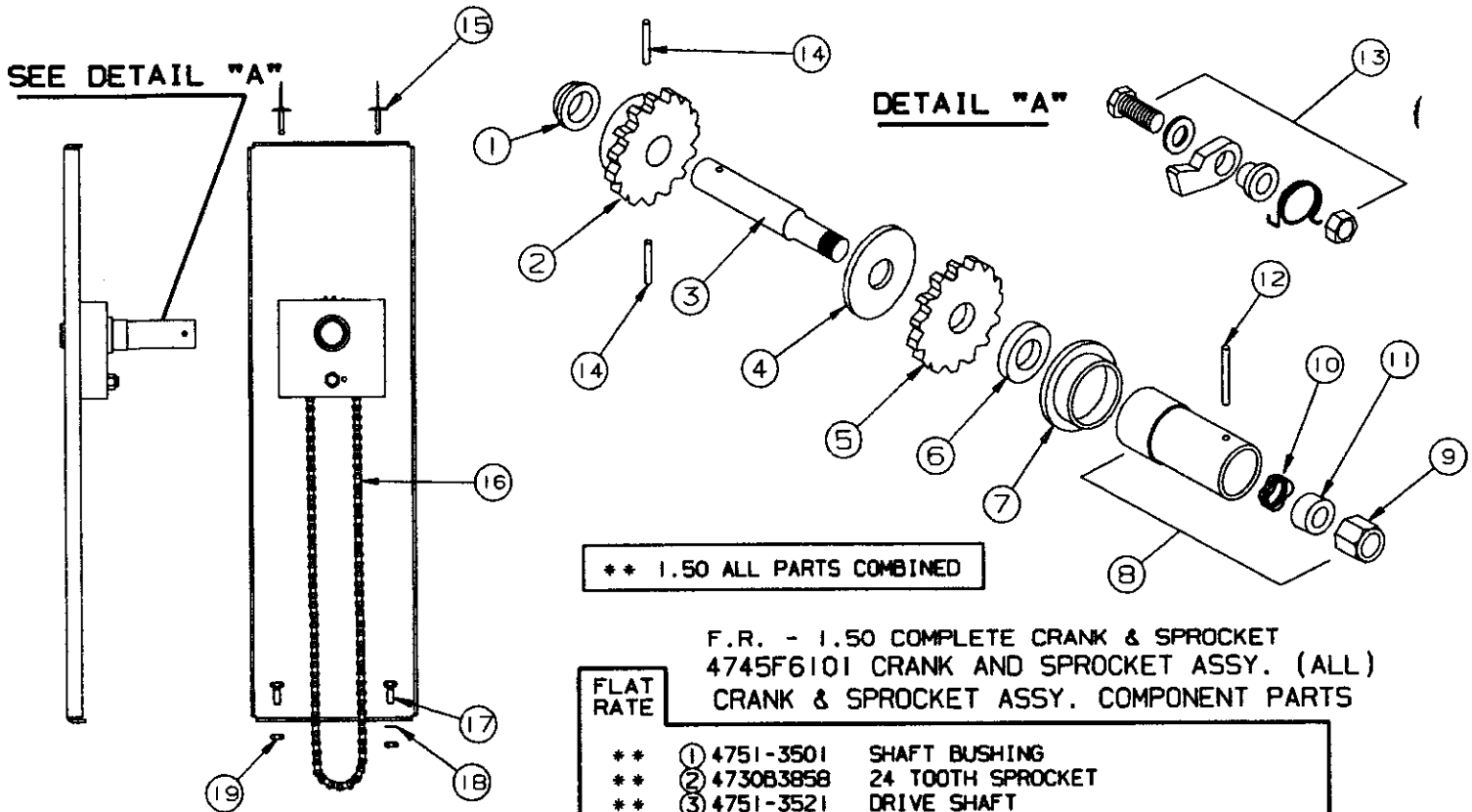


FLAT RATE

HYDRAULIC FRAME COMPONENT PARTS 3295 NIAGARA

1.50	①	4742-2001	2" COUPLER ASSEMBLY
.25		4714A2211	2" COUPLER REPAIR KIT
.75	②	4748-6611	CHAIN BAR W/PINS
.25	③	4751-8451	BATTERY BOX W/STRAPS (PLASTIC)
.35	④	4753-375	WIRE HARNESS
2.00	⑤	4754A6241	CORNER BULKHEAD "RSF"
2.00		4754A6231	CORNER BULKHEAD "CSF"
2.00	⑥	4739D6081	CORNER BULKHEAD "RSR"
2.00		4739D6071	CORNER BULKHEAD "CSF"
		1203C8751	RIVET M25 (RIVET BULKHEAD TO FRAME)
.40	⑦	4751A6981	GRAVITY LATCH
		1203-8968	ALUMINUM RIVET M25
		4751A8441	GRAVITY LATCH SPRING
		4751-4758	LATCH SCREW W/HOLE
.25	⑧	4753C8168	TIRE & RIM 13" SPOKED-LOAD RANGE "D"
	⑨	4755-6631	STABILIZER SUPPORT PLATE (ALL 4 CORNERS)
1.00	⑩	4741D5601	SPARE TIRE MOUNT
1.00	⑪	4753-3391	LIFT CABLE & CRIMP M2
.25	⑫	4751A3351	STABILIZER (SCREW DOWN) x4
		4751-8208	TAPPING SCREW (3 PER STABILIZER)
1.50	⑬	4751C601	PULLEY BRACKET
.50	⑭	4755-6581	WATER TANK SUPPORT BRKT.
1.00	⑮	4753-8821	HYDRAULIC HOSE 38 1/2"
.65	⑯	4751C8351	PUSH/PULL RELEASE CABLE
.15	⑰	4751-4781	50 AMP CIRCUIT BREAKER
.65	⑱	4755A6021	*6 AWG BLACK BATTERY CABLE
.65	⑲	4755A6031	*6 AWG RED BATTERY CABLE
.75	⑳	4752A6461	HAT SECTION & EYE BOLT ASSY.
.30	㉑	4751A8421	HAT SECTION "U" BOLT
		1201B518	NUT x2
	㉒	4751-3398	5/8"x2 1/4" BOLT
		4751-440	5/8" NUT
		4751-3388	5/8" SPLIT LOCK NUT
1.00	㉓	4744-44561	EYE BOLT M4
		1201B6028	LOCKNUT
.30	㉔	4751A3851	CYLINDER U-BOLT & NUTS
1.00	㉕	4751B3361	HYDRAULIC CYLINDER
.25	㉖	4751A5491	5/16" PULLEY & BEARING M2
	㉗	4720K1561	5/16" LONG PIN W/COTTER PIN M4
1.50	㉘	4751C600	PULLEY BRACKET ASSY.
	㉙	4751-3431	NYLON SPACER M4
	㉚	4720J1561	1/4" LONG PIN W/COTTER PIN M4
	㉛	4720H153	SIDE BULKHEAD
2.00	㉜	4754C0531	WHEEL WELL ASSY. x2

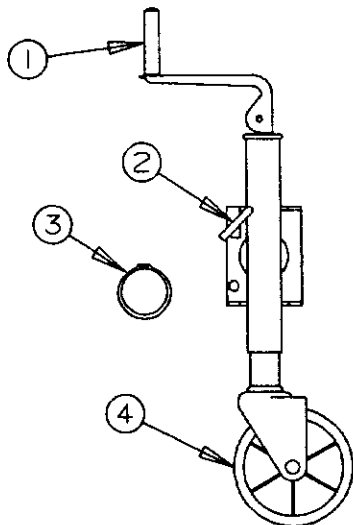
1998 GRAND TOUR SERIES



** 1.50 ALL PARTS COMBINED

F.R. - 1.50 COMPLETE CRANK & SPROCKET
4745F6101 CRANK AND SPROCKET ASSY. (ALL)
CRANK & SPROCKET ASSY. COMPONENT PARTS

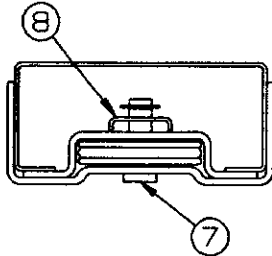
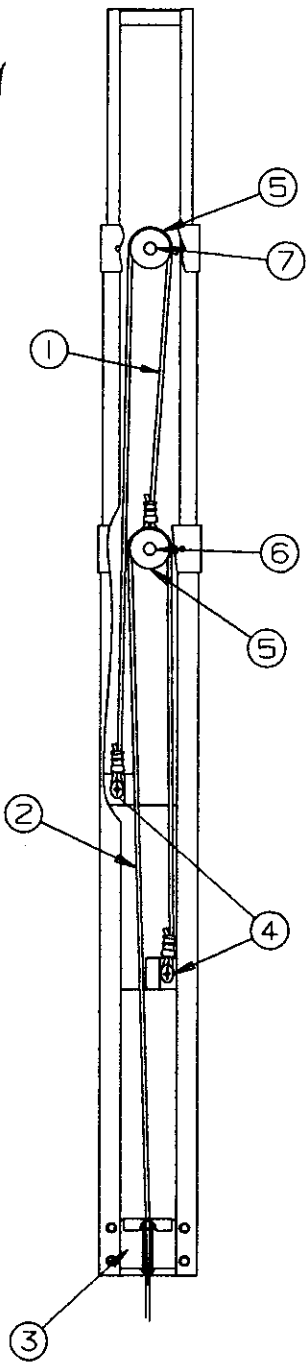
FLAT RATE	QTY	PART NUMBER	DESCRIPTION
**	1	4751-3501	SHAFT BUSHING
**	2	4730B3858	24 TOOTH SPROCKET
**	3	4751-3521	DRIVE SHAFT
**	4	4751-3561	PRESSURE PLATE
**	5	4751-4831	RATCHET WHEEL
**	6	4751-3581	PRESSURE WASHER
**	7	4751-3591	SHAFT BUSHING
.75	8	4751-6511	DRIVE HUB EXTENSION PKG. NOTE: PACKAGE INCLUDES PARTS MARKED W/ASTERISK (*)
	9	*4751-3551	HEX HEAD NUT
	10	*4752-3921	HANDLE SPRING x1 M2
	11	*4751-4671	NYLON SPACER x1
	12	*4747A9451	SPIROL ROLL PIN M6
.60	13	4716-1221	RATCHET PAWL PKG.
	14	4720D1481	ROLL PIN x1 M10
		4744A1301	SHEAR PIN x1 M10
	15	1203C8721	RIVET x2 M25
1.50	16	4755-1431	CHAIN (INCLUDES CONNECTING LINK)
		4730A3811	CONNECTING LINK
	17	4731-3878	HEX HEAD BOLT x2
	18	1202B0438	WASHER
	19	1201B6038	HEX NUT x2



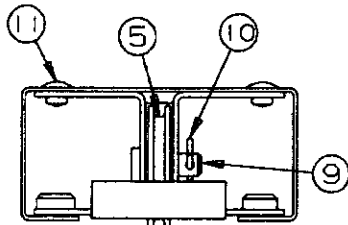
FLAT RATE	QTY	PART NUMBER	DESCRIPTION
.15	1	4714-2821	JACK HANDLE KIT M2
.15	2	4714-2818	LOCKING PLUNGER KIT
.10	3	4720A3341	SNAP RING
.25	4	4716-6661	JACK WHEEL, NUT & BOLT

REPAIR PARTS/FLAT RATE

FLAT RATE .75 PER LIFT ASSEMBLY
 4751B6371-LIFT ASSY.ROADSIDE REAR/CURBSIDE FRONT
 4751B6381-LIFT ASSY.ROADSIDE FRONT/CURBSIDE REAR



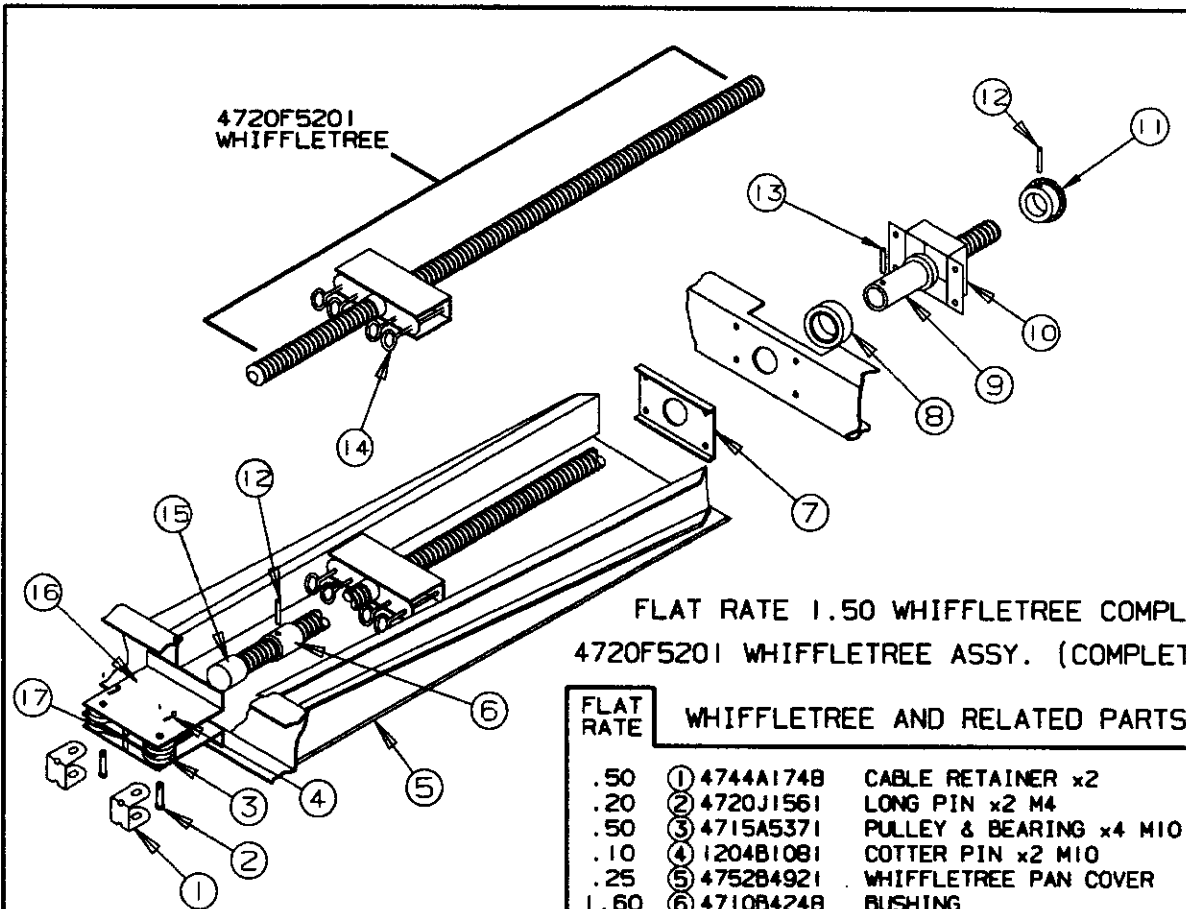
TOP VIEW OF LIFT



BOTTOM VIEW OF LIFT

FLAT RATE LIFT ASSEMBLY COMPONENT PARTS

FLAT RATE	PART NUMBER	DESCRIPTION
1.00	① 4720D5271	CABLE ASSEMBLY x1 M2
	4720C1691	CABLE CRIMP M20
1.00	② 4753-3391	LONG CABLE ASSY. 250" M2
	4744-1318	COPPER CABLE CRIMP M10
1.25	③ 4731C5801	BUTTERFLY BRKT. ASSY.
.05	④ 4749-2081	SCREW x3 M6
.45	⑤ 4715A5371	STEEL PULLEY & BEARING x4 M10
.25	⑥ 4747-8931	LONG PIN x2
	4730B0981	RETAINING RING M12
.25	⑦ 4749-4061	PIN SHORT x1 M4
	4730B0981	RETAINING RING M12
.25	⑧ 4749A2028	RETAINING CLIP
1.25	⑨ 4720C1578	LIFT PIN x1 M4
	⑩ 1204B1081	COTTER PIN M10
	⑪ 1203-8641	RIVET x4 M25



FLAT RATE 1.50 WHIFFLETREE COMPLETE
 4720F5201 WHIFFLETREE ASSY. (COMPLETE)

FLAT RATE WHIFFLETREE AND RELATED PARTS

FLAT RATE	PART NUMBER	DESCRIPTION
.50	① 4744A1748	CABLE RETAINER x2
.20	② 4720J1561	LONG PIN x2 M4
.50	③ 4715A5371	PULLEY & BEARING x4 M10
.10	④ 1204B1081	COTTER PIN x2 M10
.25	⑤ 4752B4921	WHIFFLETREE PAN COVER
1.60	⑥ 4710B4248	BUSHING
	⑦ 4720C2418	PLATE
1.50	⑧ 4720A2421	THRUST NUT BEARING
1.50	⑨ 4720B2388	THRUST NUT
1.50	⑩ 4720B2408	RETAINER
1.00	⑪ 4730B3848	SPROCKET (12 TOOTH)
	⑫ 4720D1481	ROLL PIN M10
1.00	⑬ 4744A1301	SHEAR PIN M10
1.25	⑭ 4744A4451	SCREW EYE x4 M4
	120186028	5/16" LOCKNUT
2.00	⑮ 4730D1291	SCREW SOCKET
2.00	⑯ 4720-1551	PULLEY PLATE
.50	⑰ 4715C5661	PULLEY SPACER

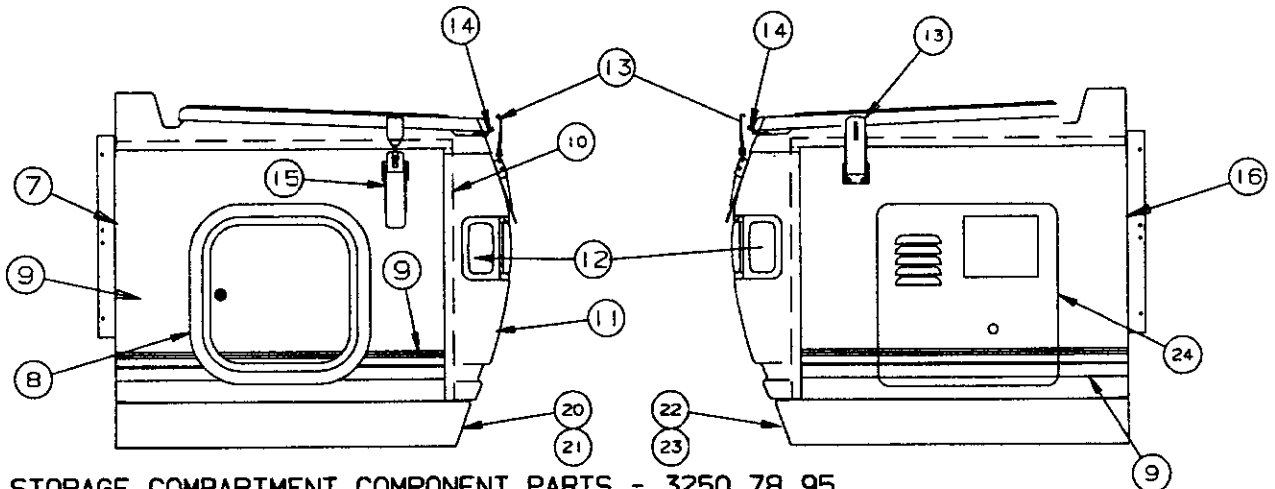
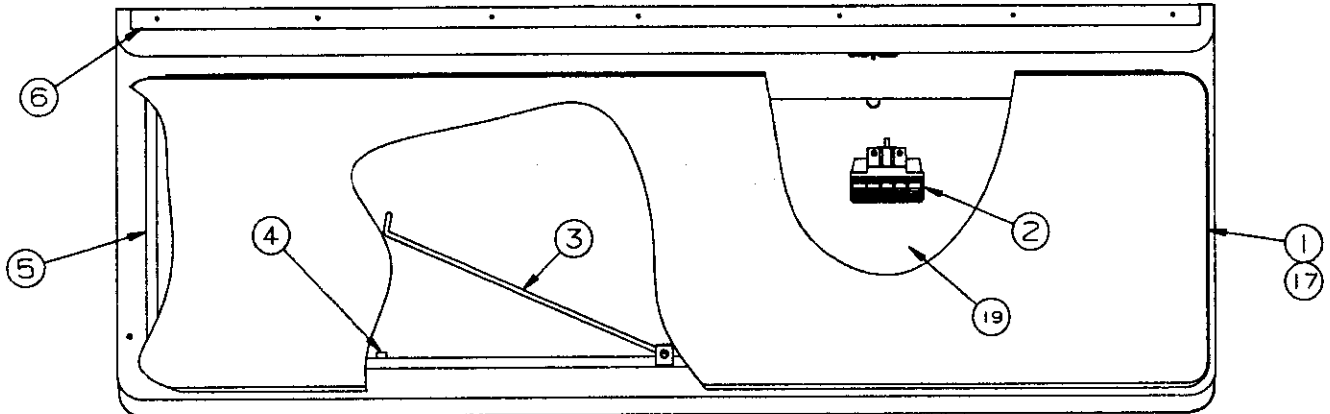
1998 GRAND TOUR SERIES

1.25 4730T3011 ELECTRIC BRAKE AXLE ASSY. (ALL)
 .30 4716-1431 BRAKE HUB
 .50 4716-1451 BEARINGS & GREASE SEAL PKG.
 (PACKAGED FOR ONE HUB ONLY)

FLAT
 RATE

ELECTRIC BRAKE COMPONENTS

① 4716-2871 10" BRAKE SHOES (SET)
 .40 ② 4716-2881 10" MAGNET, SPRING & CLIP PKG.

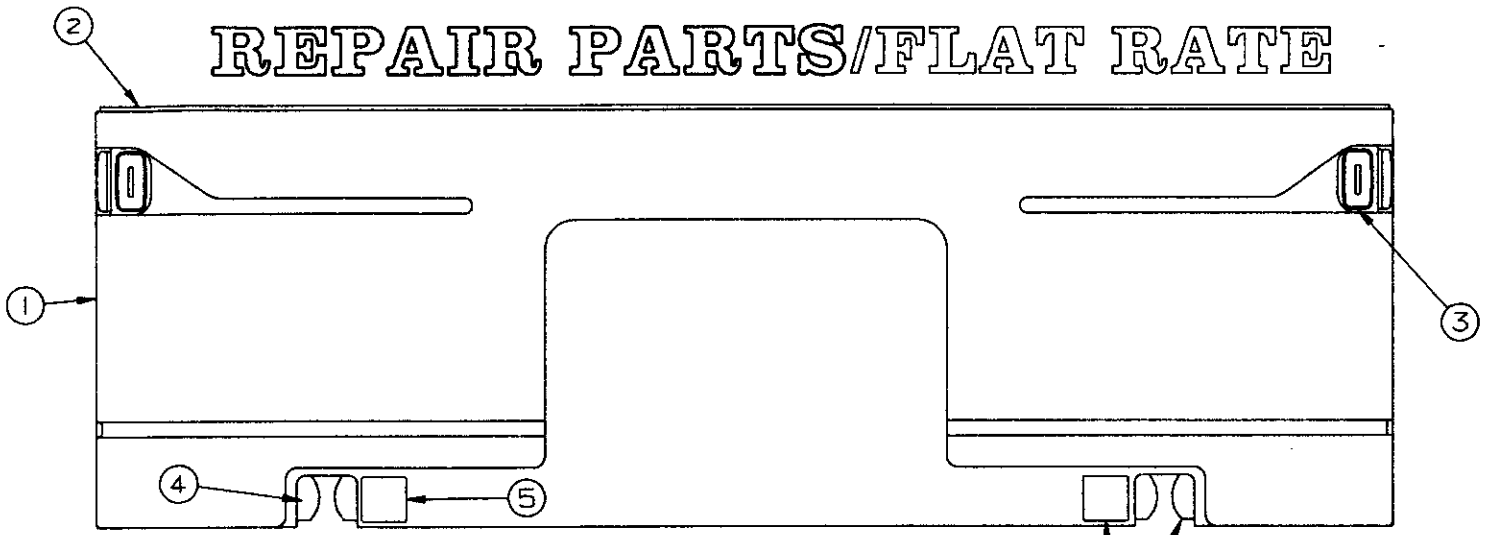


FLAT
 RATE

STORAGE COMPARTMENT COMPONENT PARTS - 3250,78,95

1.50 ① 475305851	LID/DECK ASSY. (COMPLETE)	1.50 ⑪ 4754A1531	FRONT ABS BODY PANEL
.65 ⑤ 4753B1301	LID HINGE	.15 ⑫ 4714H08481	AMBER LENS & BASE
1017B1018	MACHINE SCREW x13	.15 ⑬ 4741C6041	TOP LATCH W/OUT LOCK TAB x3
1201B6928	KEPS NUT x13	4741A9101	TEK SCREW M10
4751-1551	RIVET M25	4744B2468	MACHINE SCREW x4 (SIDE LATCH ONLY)
.25 ② 4751-0921	CARGO LIGHT	1201B6958	KEPS NUT x4 (SIDE LATCH ONLY)
4741D96568	RIVET x2 M25	.15 ⑭ 4749B1441	STRIKE x5 M2
.15 ③ 4751A1181	PROP ROD	4741D96568	EXPANSION RIVET M25
4751-1208	PUSH NUT CAP x1	.15 ⑮ 4715F5051	TOP LATCH W/LOCK TAB
4751-1191	PROP ROD BRKT.		NOTE: REFER TO CODE 13 FOR MOUNTING HARDWARE
.10 ④ 4720A0721	COOLER CLIP M2	1.80 ⑯ 4754D1981	RS ABS STORAGE BOX SIDE
.40 ⑤ 4060000404F	DECK SEAL 18' REQUIRED	.40 ⑰ 4060000588F	LID SEAL 12' REQUIRED SOLD/FT.
.50 ⑥ 4754B1041	FRONT END RAIL ALUMINUM	1.50 ⑱ 4754-2001	FLOOR SEAM DIVIDER 85 13/16"
1.80 ⑦ 4754D1971	CS ABS STORAGE BOX SIDE	⑲ 4716-1761	FLOOR COVERING 4' x 7 1/2'
.45 ⑧ 4751B0981	COMPARTMENT DOOR - LESS LOCK	.25 ⑳ 4755-3991	BOTTOM SKIRT CURBSIDE "SIDE"
4734C1861	RIVET M25 TO HOLD DR. TO PNL.	.25 ㉑ 4755-4001	BOTTOM SKIRT CURBSIDE "FRONT"
4350000028P	1/8"x3/4" BUTYL TAPE (6' PC.)	.25 ㉒ 4755-3971	BOTTOM SKIRT ROADSIDE "SIDE"
.15 4751-8301	LOCK ASSEMBLY (WITH KEY)	.25 ㉓ 4755-3981	BOTTOM SKIRT ROADSIDE "FRONT"
.25 ⑨ 4350001899F	TRIM TAPE (SOLD/FT.)	.25 ㉔ 4716-1331	WATER HEATER DOOR
.25 ⑩ 4350000026P	ABS BOX SIDE TAPE 16' PC. PKG		

REPAIR PARTS/FLAT RATE

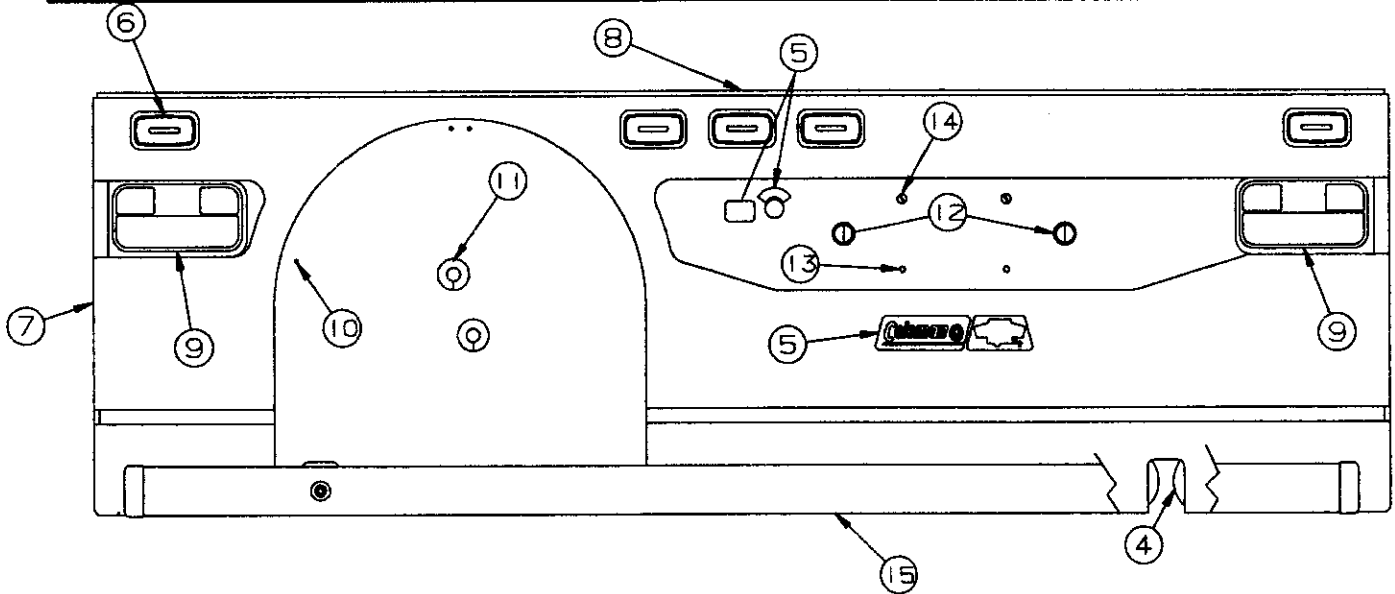


4716K2151 FRONT & REAR BODY PANEL DECAL/HARDWARE KIT

FLAT RATE

FRONT & REAR BODY PANEL ASSEMBLY COMPONENTS

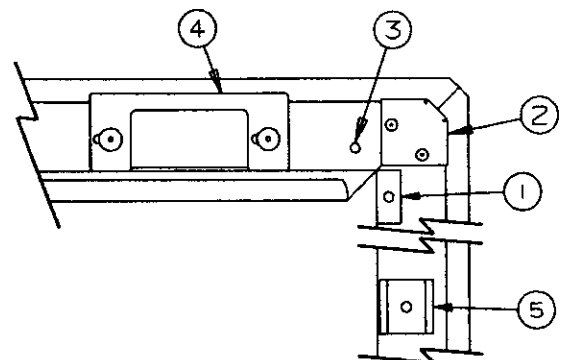
1.50	① 4750C8721	FRONT BODY PNL. (3279,80,82 ONLY)	.75	⑧ 4720T1791	END RAIL-REAR (ALL)
		NOTE: REFER TO PAGE 2 FOR ABS BODY PANEL USED ON BOX MODELS	.20	⑨ 4749B4321	TAILLIGHT
.75	② 4720T1801	END RAIL- FRONT (3279,80,82 ONLY)	.10	⑩ 4716A1061	TAILLIGHT LENS
.15	③ 4714H08481	AMBER LENS & BASE x4		4747-2558	RIVET M25
.10	4716-4571	AMBER LENS (LENS ONLY)	.05	⑪ 4747-9181	HOLE PLUG 1/4" M4
	4733H1311	SOCKET & HARNESS	.10	⑫ 4754-3871	FOAM GASKET M2
	4750A3741	MARKER LIGHT GASKET	.15	⑬ 4739B4311	LICENSE PLATE LIGHT x2
	4747-2558	RIVET M25	.05	⑭ 4737A0728	RUBBER BUMPER x2
.15	④ 4737C4451	PANEL GASKET	.05	⑮ 4732-1181	PLASTIC GROMMET M4
	⑤ 4716K2151	FRT. & REAR TRIM TAPE KIT (ALL)		1121C1618	LICENSE PLATE SCREW x2
.15	⑥ 4714H08581	RED LENS & BASE	.40	⑯ 4753C2031	BUMPER W/OUT END CAPS
.10	4716-4561	RED LENS (LENS ONLY)	.10	4753A2041	BUMPER CAP & RIVET (LEFT)
		REFER TO CODE *3 FOR HARDWARE	.10	4753A2051	BUMPER CAP & RIVET (RIGHT)
2.50	⑦ 4750A87381	REAR BODY PNL. (ALL)			



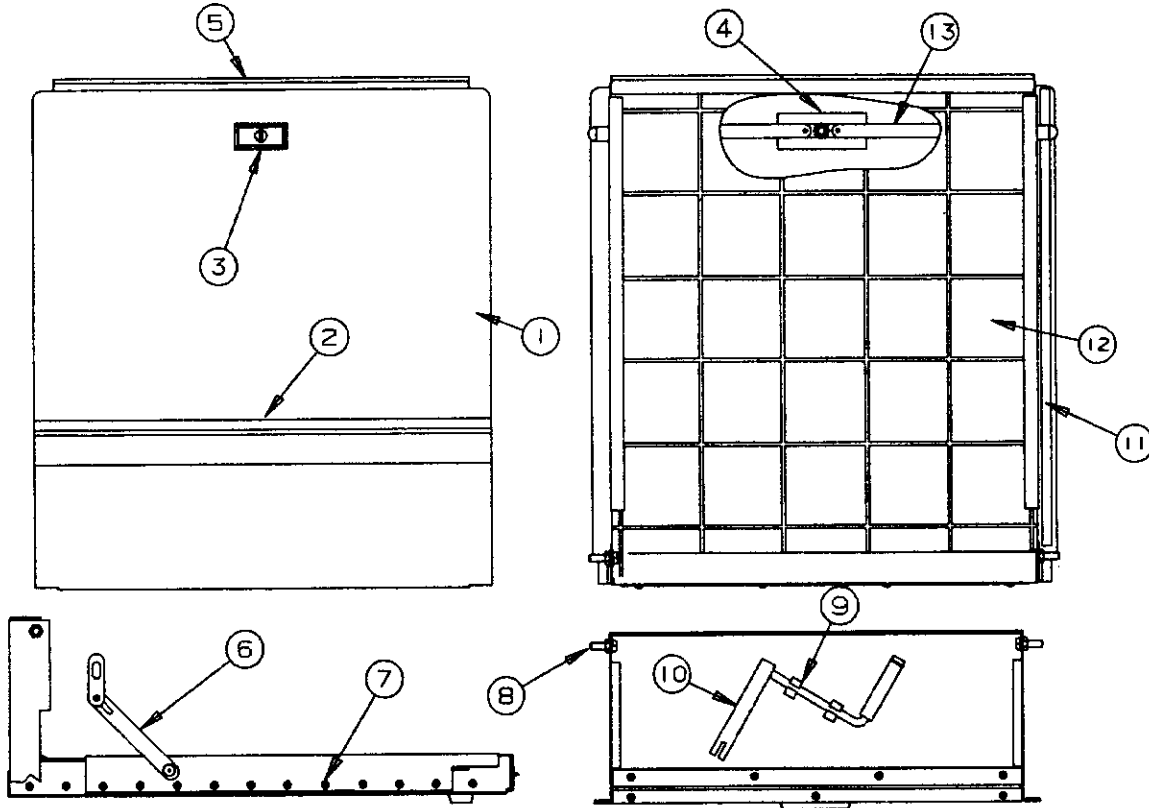
FLAT RATE

LIFT TRIM & MITER COVERS

.15	① 4754-8491	PLASTIC BED REST & SCREW
.15	② 4737G9111	MITER COVER M4
	1203-8641	RIVET M25
	③ 4741A9101	HEX HEAD TEK SCREW M10
.25	④ 4734H4111	LIFT TRIM M4
	4753A3941	RUBBER GASKET M4
	1203-8831	RIVET M25
	4350000082P	1/4" x 1/4" FOAM TAPE (4' PC.)
.15	⑤ 4754-8921	PLASTIC BED RAMP & SCREW



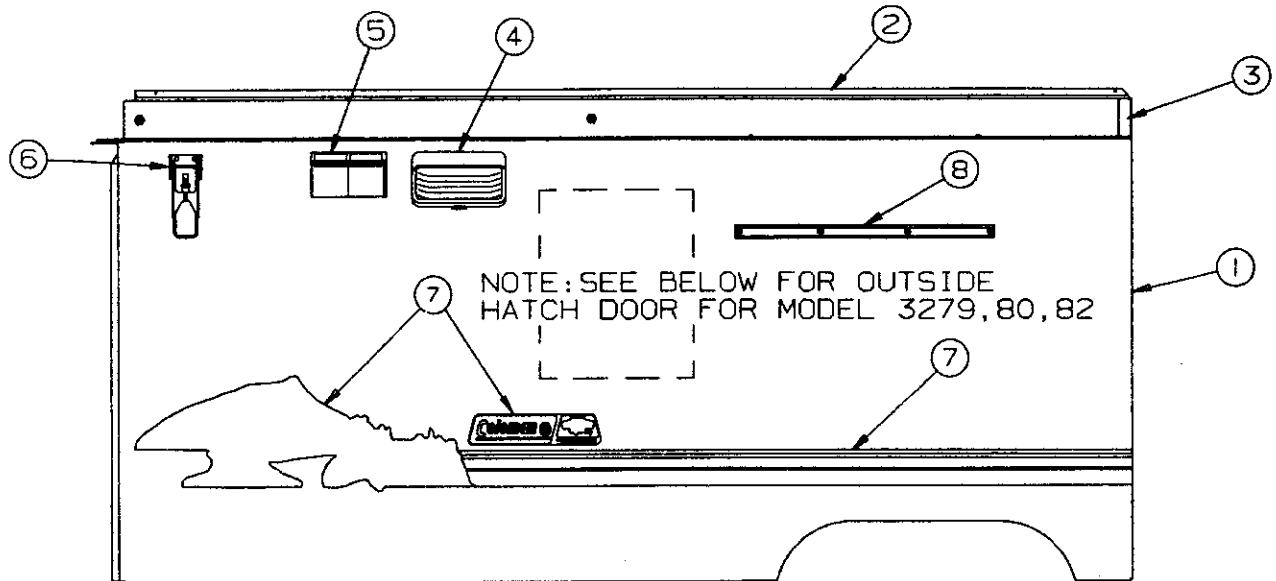
1998 GRAND TOUR SERIES



4750C66581 ACCESS DOOR ASSY. (COMPLETE)	
FLAT RATE	FLAT RATE 1.25 ACCESS DOOR COMPLETE
1.00	① 4750A4821 ACCESS DOOR SKIN
.25	② 4350001899F TRIM TAPE 3' REQUIRED (SOLD \ FT.)
1.00	③ 4730C3111 LOCK HANDLE (WITH KEY)
	4716-056 SCREW x2
	1201B6958 KEPS NUT x2
1.00	④ 4741-1438 REINFORCEMENT PLATE
.25	⑤ 4731M2331 ACCESS DOOR CAP
	1203-8641 RIVET M25
.15	⑥ 4744-6981 SWING ARM ASSY. (RIVETS & WASHERS INCLUDED)
	1203C8721 RIVET M25
	1202B0468 WASHER M10
	⑦ 4733D0601 RIVET M25 (ARCTIC WHITE)
	⑧ 1006B2428 BOLT x2
	1202B0468 WASHER x2 M10
.10	⑨ 4734-2431 SNAP CLIP M4
	4733-4118 TEK SCREW
	⑩ 4747F4141 CRANK HANDLE
.20	⑪ 4060250006P FOAM TAPE (4' PC. PKG.)
1.00	⑫ 4750B9351 FLOOR COVERING
1.00	⑬ 4741-6551 LOCK BAR ASSEMBLY

FLAT RATE	PANELING & TRIM (MUST CUT TO SIZE)
①	4754A1361 UNIVERSAL WALL PANEL 48x23 13/16
②	4716A1321 UNIVERSAL CORNER MOLDING M2 48" PC.
③	4715A1331 UNIVERSAL PANEL DIVIDER M2 48" PC.

REPAIR PARTS/FLAT RATE

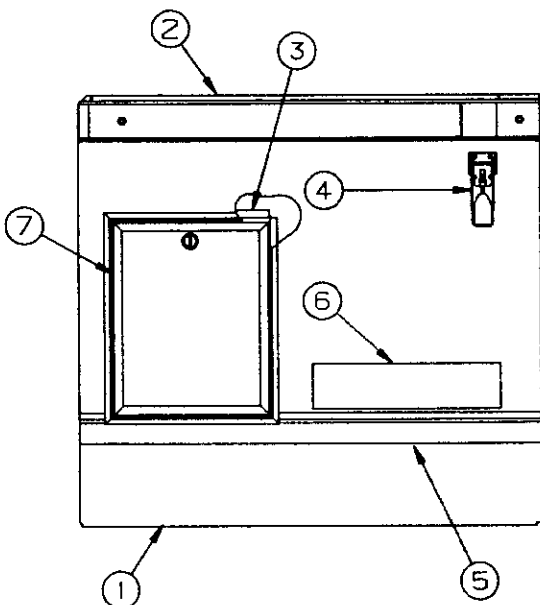


CURBSIDE RIGHT REAR BODY PANEL & COMPONENTS 4716K2101 CURBSIDE HARDWARE & TRIM TAPE KIT

FLAT RATE	QTY	PART #	DESCRIPTION	FLAT RATE	QTY	PART #	DESCRIPTION
.85	①	4755-0951	BODY PANEL 3250	.25	④	4752-9921	PORCH LIGHT
.85		4755-3471	BODY PANEL 3278	.10		4716-5511	PORCH LIGHT LENS
1.00		4756-1671	BODY PANEL 3279,80			4741-9108	HEX HEAD TEK SCREW
1.00		4756-3751	BODY PANEL 3282	.25	⑤	4746A3861	DUPLEX COVER & OUTLET
.85		475382321	BODY PANEL 3295	.35		4746-3871	DUPLEX BOX
		4060050008P	1/2" x 1" FOAM TAPE (12' PC. PKG.)			1203-8678	RIVET M25 (RIVET BOX TO PNL.)
1.00	②	4755C0941	BODY RAIL 3250	.15	⑥	4741C6041	TOP LATCH (W/OUT LOCK TAB)
1.00		4755A3511	BODY RAIL 3278			4749-4848	FOAM PAD
1.00		4755A3951	BODY RAIL 3279,80,82			4741-8218	TEK SCREW (x4 PER LATCH)
1.00		4753D2351	BODY RAIL 3295	.75	⑦	4716K2101	TRIM TAPE & HARDWARE KIT (ALL)
		4734C1861	RIVET M25	.25	⑧	4750A8481	STOVE SUPPORT
.10		4723A8071	VELCRO HOOK 2x2 M4			4745-3968	SCREW x3
.10	③	4350000005F	3/4" VELCRO HOOK (SOLD/YARD)			4744C2461	TORX HD. MACHINEE SCREW M2
						1201B6958	NUT x2

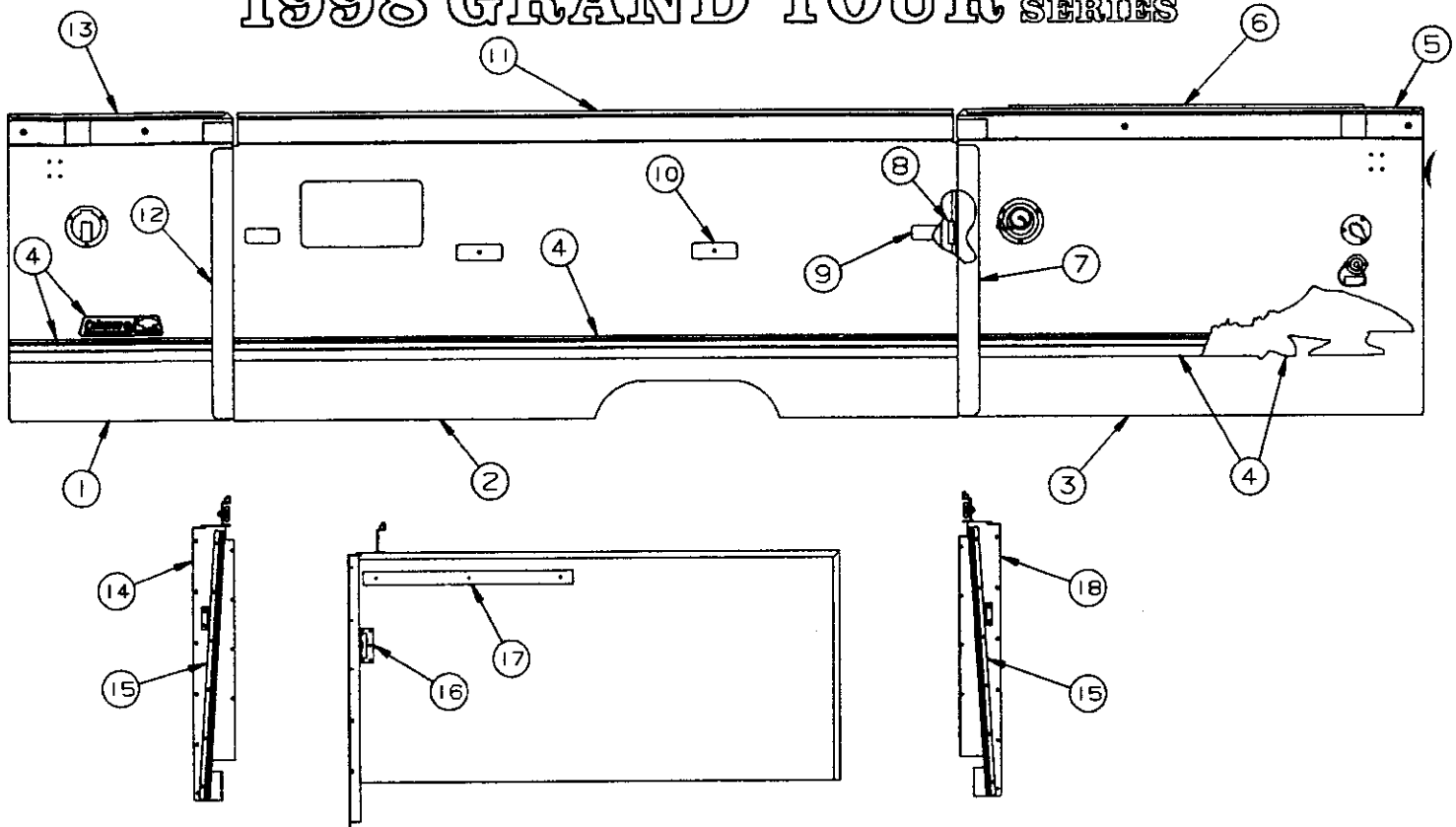
CURBSIDE RIGHT FRONT BODY PANEL & COMPONENTS

4716K2101 CURBSIDE HARDWARE & TRIM TAPE KIT NOTE: CODE #6 NOT INCLUDED IN KIT MUST ORDER SEPARATELY



FLAT RATE	QTY	PART #	DESCRIPTION	FLAT RATE	QTY	PART #	DESCRIPTION
.75	①	4755-0931	BODY PANEL 3250				
.75		4755-3461	BODY PANEL 3278				
1.00		4756-1661	BODY PANEL 3279,95				
1.00		4756-2611	BODY PANEL 3280				
.75		4756-1661	BODY PANEL 2382				
		4060050008P	1/2" x 1" FOAM TAPE (12' PC. PKG.)				
1.00	②	4755C0921	BODY RAIL 3250				
1.00		4755A3501	BODY RAIL 3278				
1.00		4755A3941	BODY RAIL 3279,80,82				
1.00		4753F2361	BODY RAIL 3295				
			NOTE: REFER TO CODE #2,3 ABOVE FOR VELCRO SHROUD				
.15	③	4746F5121	SHROUD				
			NOTE: REFER TO CODE #6 ABOVE FOR HARDWARE				
.15	④	4715F5051	TOP LATCH (W/LOCK TAB)				
.50	⑤	4716K2101	TRIM TAPE & HARDWARE KIT (ALL)				
.25	⑥	4755A1958	SUNRIDGE NAME DECAL 3250				
.25		4756-0178	BAYSIDE NAME DECAL 3278				
.25		4753B3248	GRANDVIEW NAME DECAL 3279				
.25		4756-2138	"SP" LOGO (SP ONLY) 3280				
.25		4756-3948	CASA GRANDE 3282				
.25		4753B2348	NIAGARA NAME DECAL 3295				
.50	⑦	4716-1831	HATCH DOOR & FRAME 3295				
		4350000028P	1/8" x 3/4" BUTYL TAPE (6' PC. PKG.)				
		4060000029P	HATCH DR. D-SEAL (6' PC. PKG.)				
.15		4754-4911	HATCH DOOR LOCK & O-RING				
.15		4754-4941	HATCH DOOR HINGE				
		1203-8631	RIVET M25 x3 PER HINGE				

1998 GRAND TOUR SERIES



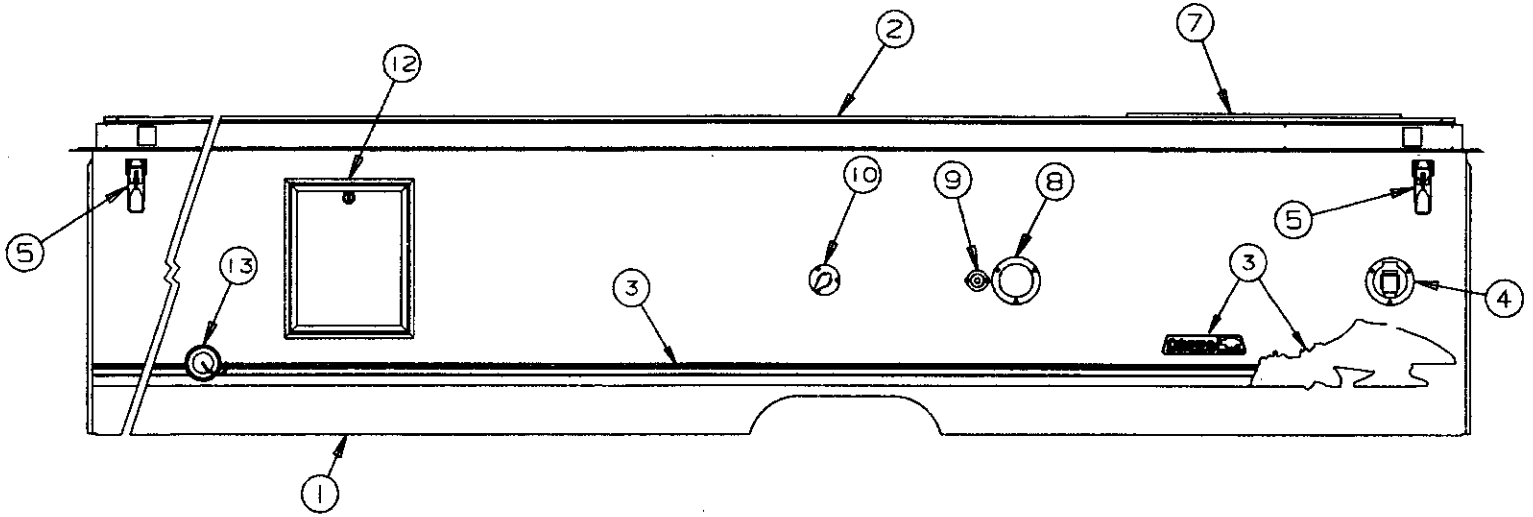
*** ADD .75 REFRIGERATOR VENT
 *** ADD .50 FURNACE VENT

4716K2111 ROADSIDE HARDWARE & TRIM TAPE KIT

ROADSIDE LEFT BODY PANEL & COMPONENTS 3278,79,80,82

FLAT RATE	QTY	PART NO.	DESCRIPTION
*** 1.50	1	4755-3451	LEFT FRONT BODY PNL. 3278
*** 1.50	1	4756-1681	LEFT FRONT BODY PNL. 3279,80
*** 1.50	1	4756-3721	LEFT FRONT BODY PNL. 3282
1.00	2	4756-6641	GLIDE-OUT BODY PNL. 3278
1.00	1	4756-6231	GLIDE-OUT BODY PNL. 3279,80
1.00	1	4757-5781	GLIDE-OUT BODY PNL. 3282
*** 1.50	3	4755-3441	LEFT REAR BODY PNL. 3278
*** 1.50	1	4756-2841	LEFT REAR BODY PNL. 3279,80
*** 1.50	1	4756-3731	LEFT REAR BODY PNL. 3282
.75	4	4716K2111	HARDWARE & TRIM TAPE KIT (ALL)
1.00	5	4755-3481	BODY RAIL "RSR" 3278,79,80
1.00	1	4756-3771	BODY RAIL "RSR" 3282
.25	6	473702231	CURTAIN TRACK
.25	7	1203-8678	RIVET M25
.15	8	4755A3771	GLIDE-OUT ANGLE SEAL "REAR"
.75	9	4060000023P	D-SEAL "WHITE" (5' PC. PKG.)
.75	10	4756-1501	STRIKE
.75	11	4756-3251	SHIM
.75	12	4755-4091	LATCH & GASKET
.75	13	4756-1181	PULL HANDLE
.75	14	4738-2608	TEK SCREW "BLACK"
.25	15	4756-1291	GLIDE-OUT BODY RAIL 3278,79,80,82
.25	16	4755A3921	GLIDE-OUT ANGLE SEAL "FRONT"
1.00	17	4060000023P	D-SEAL "WHITE" (5' PC. PKG.)
1.00	18	4755-3961	BODY RAIL "RSF" 3278
1.00	19	4755-3491	BODY RAIL "RSF" 3279,80
1.00	20	4756-3761	BODY RAIL "RSF" 3282
1.65	21	4756-6911	GLIDE-OUT BULKHEAD ASSY. "RSF"
.35	22	4755-3911	GLIDE-OUT SEAL TRACK
.15	23	4064700589P	SIDE SEAL "BLACK" (8' PC. PKG.)
.25	24	4756-2171	LOCK BOOT W/COVER PLATE
1.65	25	4754-3811	VEL-STICK (MUST CUT TO SIZE)
	26	4756-6901	GLIDE-OUT BULKHEAD ASSY. "RSR"

REPAIR PARTS/FLAT RATE

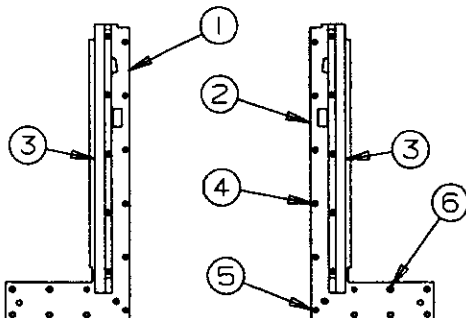
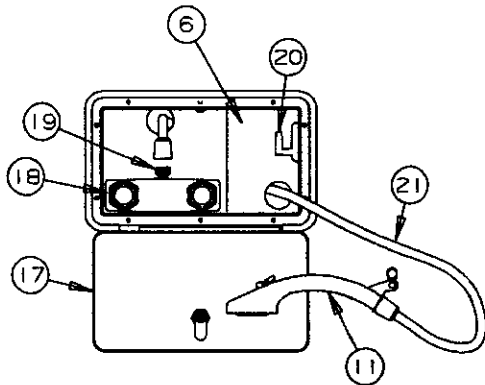
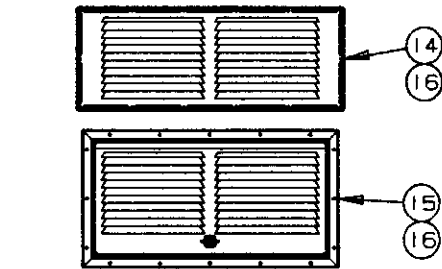


*** ADD .75 REFRIGERATOR VENT
 *** ADD .50 FURNACE VENT

FLAT RATE

4716K2111 ROADSIDE HARWARE & TRIM TAPE KIT ROADSIDE LEFT BODY PANEL & COMPONENTS 3250,95

*** 2.00	① 4755A0961	LEFT SIDE BODY PANEL 3250
*** 2.25	4753D4161	LEFT SIDE BODY PANEL 3295
	4060050008P	1/2" x 1" FOAM TAPE (12' PC. PKG.)
3.00	② 4754A8671	BODY RAIL 3250,95
.75	③ 4716K2111	HARDWARE & TRIM TAPE KIT (ALL)
.15	④ 4733B23361	CABLE HATCH
	4741-3508	HEX HEAD SCREW x3
.15	⑤ 4741C6041	TOP LATCH
	NOTE: REFER TO PAGE 9 FOR CODE #6 MOUNTING HARDWARE	
	⑥ 4750-3331	AUXILIARY SHOWER BOX
.25	⑦ 4737D2231	CURTAIN TRACK
	1203-8678	RIVET M25
.30	⑧ 4731D1711	FILL SPOUT
	4741A9101	HEX HEAD SCREW M10
.25	⑨ 4734C0681	DRAIN SPOUT M2
.10	4714-0021	CAP & STRAP M2
	4741A9101	HEX HEAD SCREW M10
.30	⑩ 4732F1521	CITY FILL
	4741A9101	HEX HEAD SCREW M10
.25	⑪ 4746A3761	SHOWER HEAD
	⑫ 4716-1831	POTTI HATCH DOOR
	NOTE: REFER TO PAGE 9 FOR COMPONENT PARTS	
.25	⑬ NOTE: REFER TO PAGE 12 FOR THIS ITEM	
.25	⑭ 4747C8321	LOUVERED REFRIGERATOR VENT PANEL
	⑮ 4747C8331	LOUVERED DOOR (REFRIGERATOR VENT)
	⑯ 4745A3961	TORX HEAD SCREW M50
.25	⑰ 4750-2951	O/S SHOWER DOOR & FRAME
.15	4750A2961	LOCK ASSY. (WITH KEY)
	4741D96568	EXPANSION RIVET M25
.50	⑱ 4741B2071	SHOWER DIVERTER
.15	⑲ 4716-0848	SHOWER HOSE CONNECTOR
.20	⑳ 4750-1761	SHOWER HEAD BRKT.
.15	㉑ 4741B2051	SHOWER HOSE

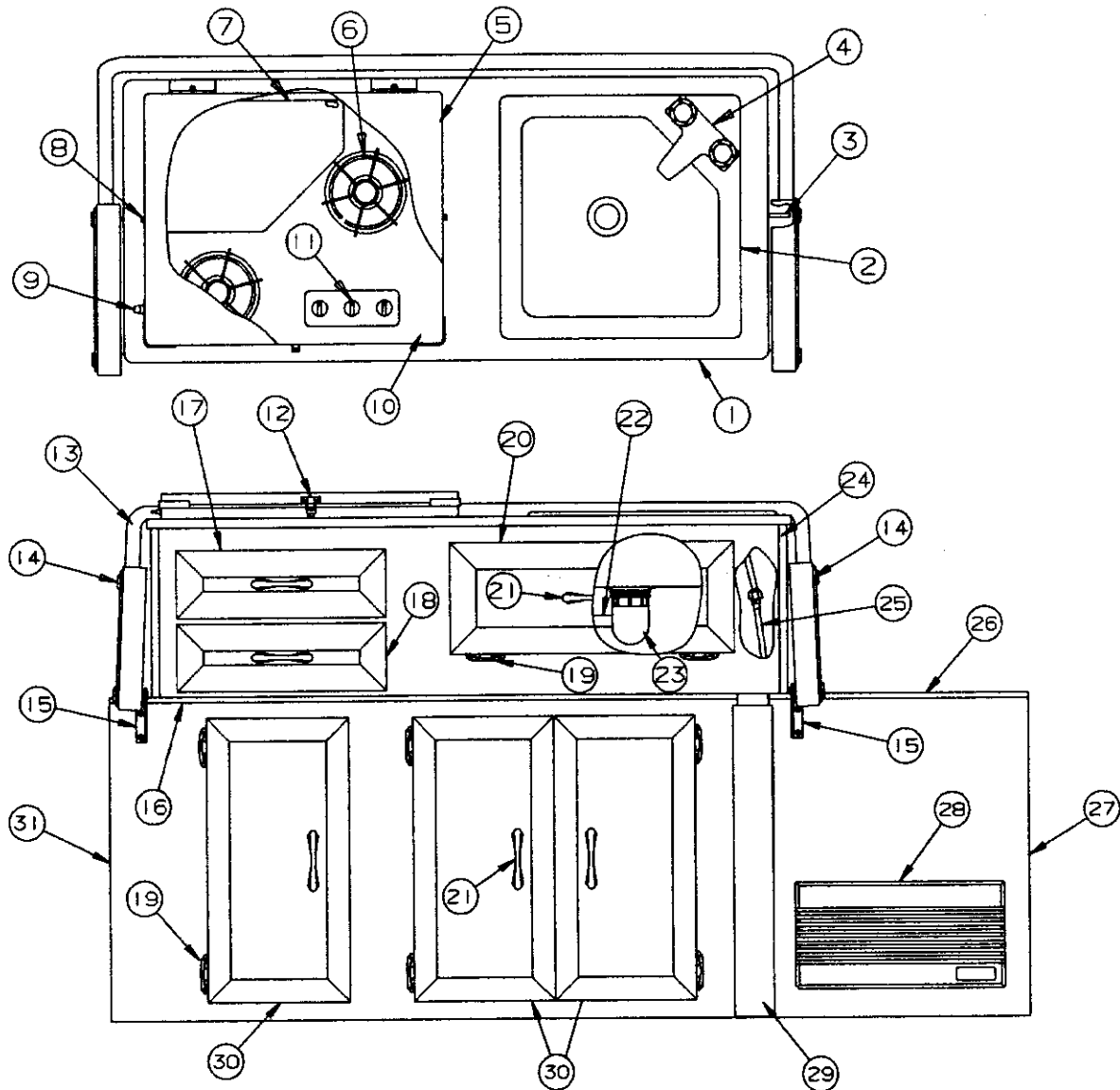


FLAT RATE

DOOR BULKHEAD ASSY. (ALL)

1.25	① 4733K50681	FRONT BULKHEAD
1.25	② 4733K50581	REAR BULKHEAD
.35	③ 4745B0811	RUBBER SEAL
	④ 4734C1861	RIVET M25
	⑤ 1203-8978	COUNTERSUNK RIVET M25
	⑥ 4744A050	TEK SCREW

1998 GRAND TOUR SERIES

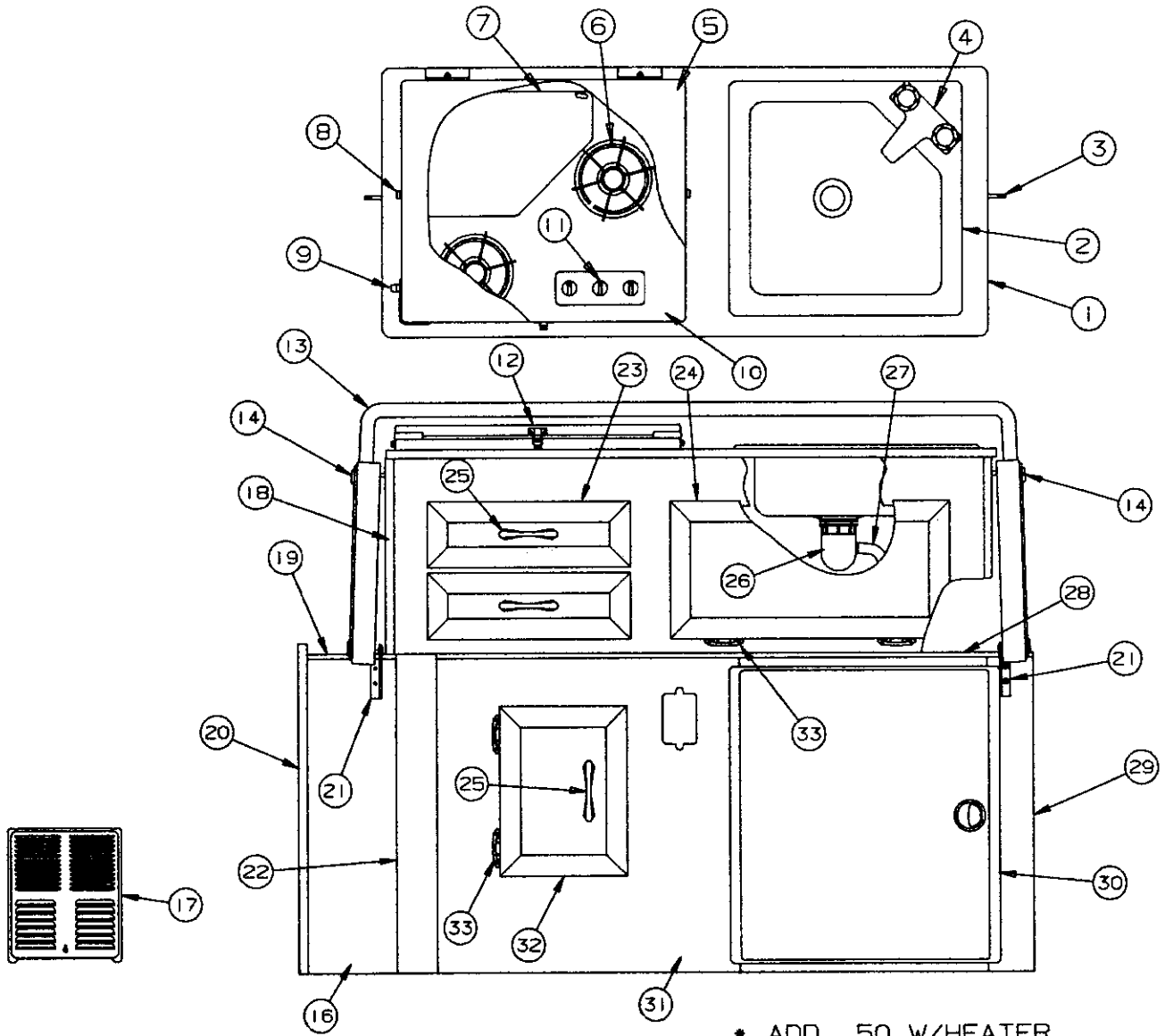


FLAT
RATE

UPPER GALLEY ASSY. COMPONENTS 3250 SUNRIDGE

1.50	① 4754A4271	GALLEY TOP	.15	⑭ 4750-8951	CHIAN COVER "LEFT"
.30	4060400089P	T-MOLDING (14' PC. PKG.)	.15	4750-8941	CHIAN COVER "RIGHT"
.80	② 4745B2801	SINK	.50	4754-6441	CHAIN ASSY. x2
.05	4714B0661	CRUMB CUP	.75	⑲ 4716-1821	L.G. BRKT. PKG. LT. & RT.
.75	③ 4752-9271	GALLEY ANGLE "RIGHT"	.75	⑳ 4755A1411	LOWER GALLEY TOP
.75	4752-9261	GALLEY ANGLE "LEFT"	.10	㉑ 4756-6671	DRAWER ASSY.
1.00	④ 4745D2741	MIXER FAUCET	.10	㉒ 4756-6371	DRAWER ASSY.
.15	⑤ 4741G60381	STOVE COVER 3150,95	.15	㉓ 4745C26188	HINGE (SRING LOADED)
.05	⑥ 4716-1851	STOVE GRATE x3	.20	㉔ 4756-6381	DOOR PANEL
.25	⑦ 4741G4131	STOVE FIN	.10	㉕ 4755-2681	DOOR PULL W/SCREWS
.25	4741A4401	HINGE	.20	㉖ 4742A8781	DRAIN HOSE M2 (SOLD 8' LENGTHS)
	1203-8558	RIVET M25	.25	㉗ 4734A0671	DRAIN TRAP M2
.05	⑧ 4716A0881	THUMB SCREW M6	.65	㉘ 4716C0151	3/8" F-CHANNEL 24" PC.
.15	⑨ 1226D1538	STOVE FIN LATCH	.25	㉙ 4753-5581	FLEXIBLE GAS HOSE
	1203-8678	RIVET M25	.75	㉚ 4754A4301	LOWER GALLEY TOP
.15	⑩ 4744E2401	3 BURNER COOK TOP	1.50	㉛ 4753A9931	LOWER GALLEY FRONT
.75	4739G2931	3 BURNER STOVE BOX	1.00	㉜ 4753-B201	CONVERTER
.05	⑪ 4716-1861	KNOB	.25	㉝ 4750B6731	LOWER GALLEY FILLER
.20	⑫ 4733-4018	STOVE COVER LATCH	.15	㉞ 4752D6971	DOOR ASSY.
	1203-8558	RIVET M25	.75	㉟ 4753B4381	UPPER GALLEY FRT.
.10	4733-4028	STOVE COVER STRIKE	.75	㊱ 4755A1371	LOWER GALLEY FRT.
1.00	⑬ 4754A425	GALLEY LIFT BAR			

REPAIR PARTS/FLAT RATE



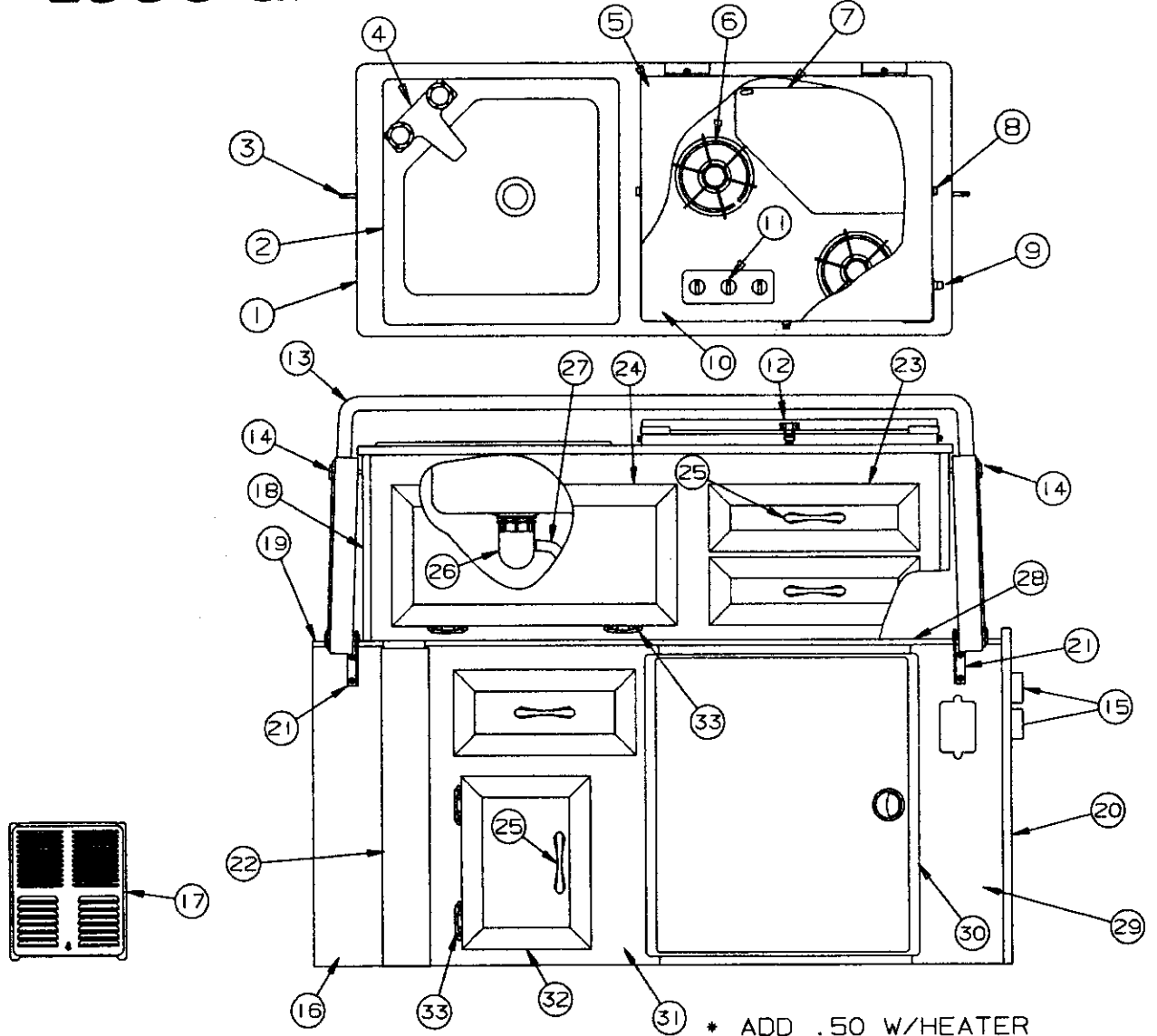
* ADD .50 W/HEATER

FLAT RATE

UPPER GALLEY ASSY. COMPONENTS 3295 NIAGARA

1.50	①	4754A4271	GALLEY TOP	.75	⑩	4744E2401	3 BURNER COOK TOP	.20	⑳	4752C8751	LOWER GALLEY FRT.
.30		4060400089P	T-MOLDING (14' PC. PKG.)	.10	⑪	4739G2931	3 BURNER STOVE BOX	.50	㉑	4754A0481	FURNACE GRILL
.80	②	4745B2801	SINK	.65	⑫	4733-4018	STOVE FIN LATCH	.20	㉒	4752D4541	3/8" F-CHANNEL 24" PC.
.05		4714B0661	CRUMB CUP	.25	⑬	4756-151	RIVET M25	.15	㉓	4752D6901	LOWER GALLEY TOP
.75	③	4756-6631	UPPER GALLEY ANGLE x2	.10	⑭	4750-8951	THUMB SCREW M6	.20	㉔	4745C26188	ROCKER SWITCH
1.00	④	4745D2741	MIXER FAUCET	.15	⑮	4750-8941	STOVE FIN LATCH	.15	㉕		SEAT GAZOODI
.15	⑤	4741G60381	STOVE COVER	.10	⑯	4744-6321	RIVET M25	.10	㉖		L.G. BRKT. PKG. LT. & RT.
.05	⑥	4716-1851	STOVE GRATE x3	.25	⑰	4744-6321	RIVET M25	.15	㉗		LOWER GALLEY FILLER
.25	⑦	4741G4131	STOVE FIN	.20	⑱	4744-6321	RIVET M25	.10	㉘		DRAWER ASSY. x2
.25		4741A4401	HINGE	.10	㉒	4744-6321	RIVET M25	.10	㉙		DOOR PANEL
		1203-8558	RIVET M25	.15	㉓	4744-6321	RIVET M25	.10	㉚		DOOR PULL W/SCREWS
.05	⑧	4716A0881	THUMB SCREW M6	.10	㉔	4744-6321	RIVET M25	.10	㉛		DRAIN TRAP M2
.15	⑨	1226D1538	STOVE FIN LATCH	.25	㉕	4744-6321	RIVET M25	.10	㉜		DRAIN HOSE M2 (SOLD 8' LENGTHS)
		1203-8678	RIVET M25	.20	㉖	4744-6321	RIVET M25	.10	㉝		LOWER GALLEY TOP
.15	⑩	4744E2401	3 BURNER COOK TOP	1.25	㉗	4744-6321	RIVET M25	.10	㉞		KILL SWITCH M4
.75		4739G2931	3 BURNER STOVE BOX	.20	㉘	4744-6321	RIVET M25	.10	㉟		LOWER GALLEY FRT.
.05	⑪	4716-1861	KNOB	.45	㉙	4744-6321	RIVET M25	.10	㊱		BUILT-IN COOLER
.20	⑫	4733-4018	STOVE COVER LATCH	.50	㊲	4744-6321	RIVET M25	.10	㊳		LOWER GALLEY FRT.
		1203-8558	RIVET M25	.75	㊴	4744-6321	RIVET M25	.10	㊵		DOOR PANEL
.10		4733-4028	STOVE COVER STRIKE	.15	㊶	4744-6321	RIVET M25	.10	㊷		HINGE (SRING LOADED)
1.00	⑬	4756-151	GALLEY LIFT BAR	.10	㊸	4744-6321	RIVET M25				
.15	⑭	4750-8951	CHIAN COVER "LEFT"								
.15		4750-8941	CHIAN COVER "RIGHT"								
.50		4744-6321	CHAIN ASSY. x2								
.25	⑰	4753-5581	FLEXIBLE GAS HOSE								

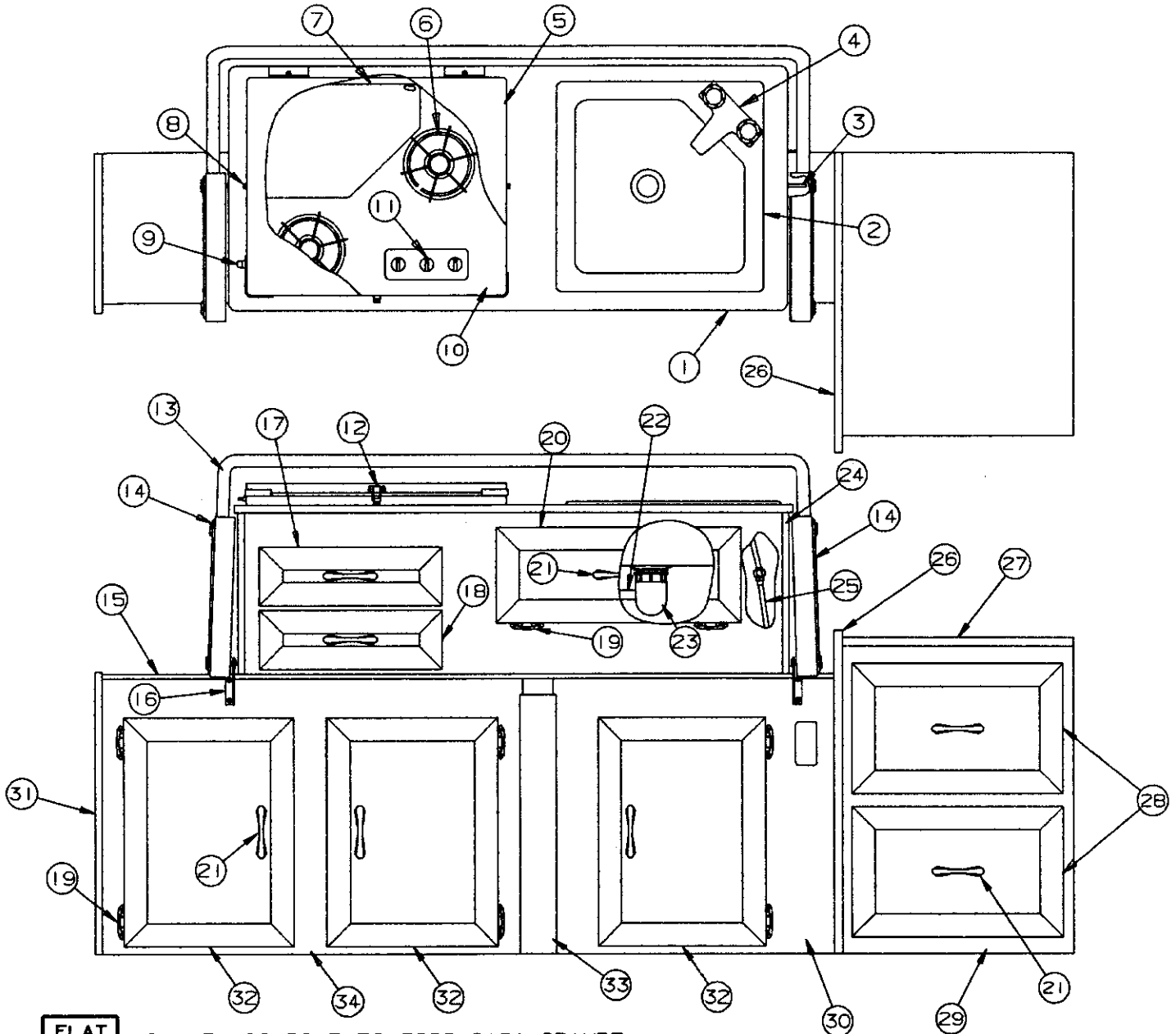
1998 GRAND TOUR SERIES



FLAT RATE UPPER GALLEY ASSY. COMPONENTS 3278,79,80

1.50	①	4752C9071	GALLEY TOP 3278,79,80	.25	⑮	4755A8201	NYLON BLOCK x2
.30		4060400089P	T-MOLDING (14' PC. PKG.)	.75	⑯	4754-8341	LOWER GALLEY FRT. 3278,79,80
.80	②	4745B2801	SINK	.10	⑰	4743-3551	FURNACE GRILL
.05		4714B0661	CRUMB CUP	.65	⑱	4716C0151	3/8" F-CHANNEL 24" PC.
.75	③	4752-9261	UPPER GALLERY ANGLE LT.	*.65	⑲	4752C9231	LOWER GALLEY TOP 3278,79,80
		4752-9271	UPPER GALLERY ANGLE RT.			4733C4981	ROCKER SWITCH
1.00	④	4745D2741	MIXER FAUCET	1.25	⑳	4756-0011	GAZ0001 3278,79,80
.15	⑤	4741F62681	STOVE COVER	.75	㉑	4716-1821	L.G. BRKT. PKG. LT. & RT.
.05	⑥	4716-1851	STOVE GRATE x3	.25	㉒	4750B6731	LOWER GALLEY FILLER
.25	⑦	4741G4131	STOVE FIN	.10	㉓	4756-6671	DRAWER ASSY. x2
.25		4741A4401	HINGE	.15	㉔	4756-6941	DOOR PANEL
		1203-8558	RIVET M25	.10	㉕	4755-2681	DOOR PULL W/SCREWS
.05	⑧	4716A0881	THUMB SCREW M6	.25	㉖	4734A0671	DRAIN TRAP M2
.15	⑨	1226D1538	STOVE FIN LATCH	.20	㉗	4742A8781	DRAIN HOSE M2 (SOLD 8' LENGTHS)
		1203-8678	RIVET M25	1.25	㉘	4752C9081	LOWER GALLEY TOP 3278,79,80
.15	⑩	4746A8561	3 BURNER COOK TOP			4746A0971	KILL SWITCH
.75		4739G2931	3 BURNER STOVE BOX	1.00	㉙	4754C3281	LOWER GALLEY TOP 3278
.05	⑪	4716-1861	KNOB	1.00		4756-2831	LOWER GALLEY TOP 3279,80
.20	⑫	4733-4018	STOVE COVER LATCH	.50	㉚	4754A0481	BUILT-IN COOLER
		1203-8558	RIVET M25	*.75	㉛	4752E9101	LOWER GALLEY FRT. 3278
.10		4733-4028	STOVE COVER STRIKE	*.75		4756-2821	LOWER GALLEY FRT. 3279,80
1.00	⑬	4752B930	GALLEY LIFT BAR	.15	㉜	4752D6901	DOOR PANEL
.15	⑭	4750-8951	CHAIN COVER "LEFT"	.10	㉝	4745C26188	HINGE (SPRING LOADED)
.15		4750-8941	CHAIN COVER "RIGHT"				
.50		4754-6441	CHAIN ASSY. x2				

REPAIR PARTS/FLAT RATE

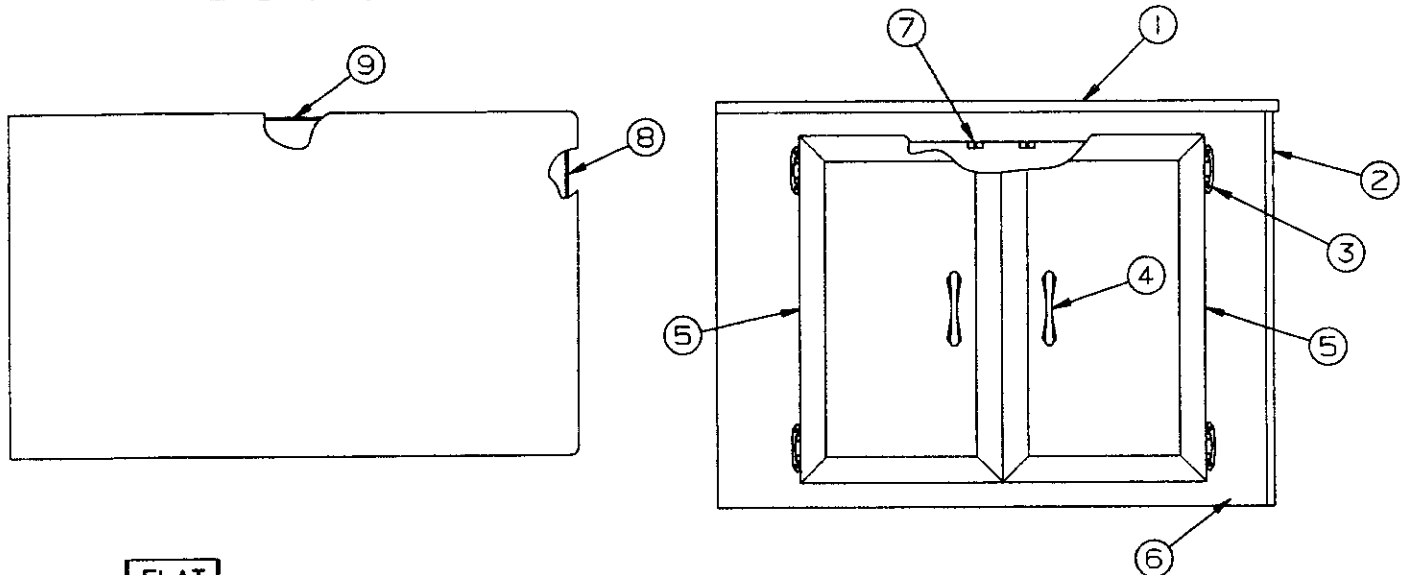


FLAT RATE

GALLEY COMPONENTS 3282 CASA GRANDE

1.50	①	4754A4271	GALLEY TOP	.75	⑮	4756-3631	LOWER GALLEY TOP
.30		4060400089P	T-MOLDING (14' PC. PKG.)	.75	⑯	4716-1821	L.G. BRKT. PKG. LT. & RT.
.80	②	4745B2801	SINK	.10	⑰	4756-6671	DRAWER ASSY.
.05		4714B0661	CRUMB CUP	.10	⑱	4756-6371	DRAWER ASSY.
.75	③	4752-9271	GALLEY ANGLE "RIGHT"	.10	⑲	4745C26188	HINGE (SPRING LOADED)
.75		4752-9261	GALLEY ANGLE "LEFT"	.15	⑳	4756-6381	DOOR PANEL
1.00	④	4745D2741	MIXER FAUCET	.10	㉑	4755-2681	DOOR PULL W/SCREWS
.15	⑤	4741G60381	STOVE COVER 3150.95	.20	㉒	4742A8781	DRAIN HOSE M2 (SOLD 8' LENGTHS)
.05	⑥	4716-1851	STOVE GRATE x3	.25	㉓	4734A0671	DRAIN TRAP M2
.25	⑦	4741G4131	STOVE FIN	.65	㉔	4716C0151	3/8" F-CHANNEL 24" PC.
.25		4741A4401	HINGE	.25	㉕	4753-5581	FLEXIBLE GAS HOSE
		1203-8558	RIVET M25	1.25	㉖	4756-0011	GAZ0001
.05	⑧	4716A0881	THUMB SCREW M6	.50	㉗	4756-3781	CABINET TOP
.15	⑨	1226D1538	STOVE FIN LATCH	.10	㉘	4757-5971	DRAWER ASSY. x2
		1203-8678	RIVET M25	.50	㉙	4756-3791	CABINET FRONT
.15	⑩	4744E2401	3 BURNER COOK TOP	.50	㉚	4756-3661	LOWER GALLEY FRONT
.75		4739G2931	3 BURNER STOVE BOX	1.00	㉛	4756-3621	GALLEY SIDE
.05	⑪	4716-1861	KNOB	.15	㉜	4753D5391	DOOR ASSY.
.20	⑫	4733-4018	STOVE COVER LATCH	.25	㉝	475006731	LOWER GALLEY FILLER
		1203-8558	RIVET M25	.75	㉞	4756-3671	LOWER GALLEY FRONT
.10		4733-4028	STOVE COVER STRIKE				
1.00	⑬	4756-407	GALLEY LIFT BAR				
.15	⑭	4756-4061	CHIAN COVER "LEFT"				
.15		4756-4051	CHIAN COVER "RIGHT"				
.50		4757-5981	CHAIN ASSY. x2				

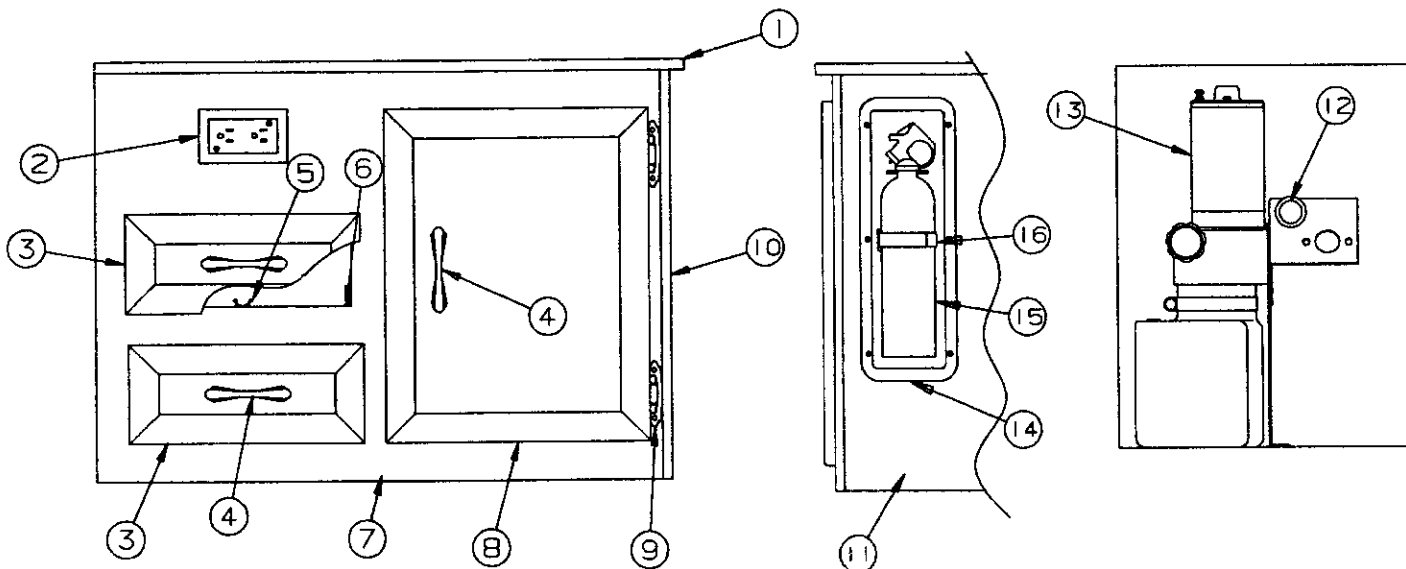
1998 GRAND TOUR SERIES



FLAT RATE

DOOR-WAY HUTCH 3250, 3295

.35	①	4752B4971	HUTCH TOP 3250	.50	⑥	4752E4691	HUTCH SIDE 3250
.35		4753B2371	HUTCH TOP 3295	.50		4754D3971	HUTCH SIDE 3295
.30		4060400089P	T-MOLDING (14" PC. PKG.)	.15	⑦	4733-6391	LATCH & STRIKE PKG.
.35	②	4716A1421	5/32" F-CHANNEL 24" PC.	.50	⑧	4752D4951	HUTCH FRONT 3250
.10	③	4745C26188	HINGE (SPRING LOADED)	.50		4752C49581	HUTCH FRONT 3295
.10	④	4755-2681	DOOR PULL W/SCREWS	.50	⑨	4755B1151	HUTCH BACK 3250
.15	⑤	4753D5391	DOOR PANEL	.50		4754C3991	HUTCH BACK 3295

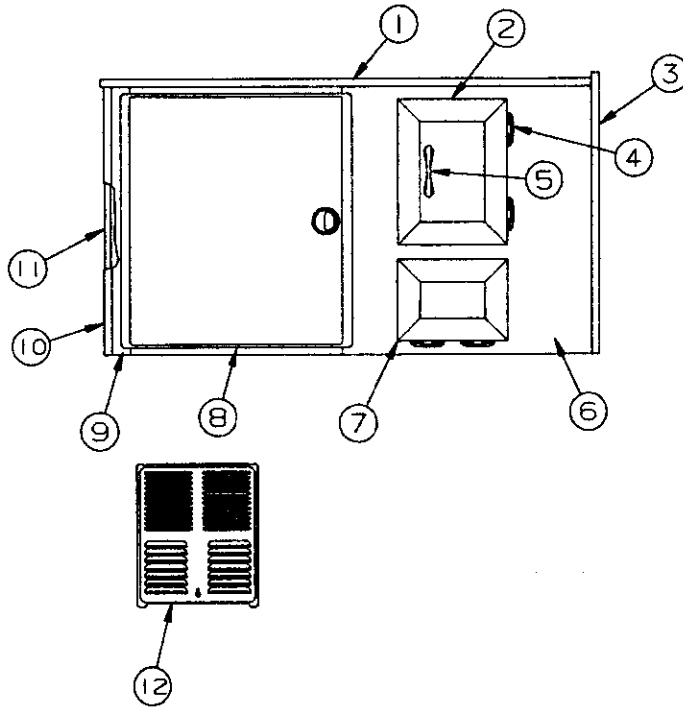


FLAT RATE

(CSF) CORNER CABINET ASSEMBLY COMPONENTS - 3295 NIAGARA

.50	①	4753B2381	CABINET TOP	.10	⑨	4745C26188	HINGE (SPRING LOADED)
.30		4060400089P	T-MOLDING (14" PC. PKG.)	.65	⑩	4716C0151	F-CHANNEL 24" PC.
.25	②	4752-2361	15 AMP RECEPTACLE	.35	⑪	4753C2081	CABINET SIDE
.10	③	4752E6931	DRAWER ASSY. x2	.65	⑫	4751C8351	PUSH PULL RELEASE CABLE
.10	④	4755-2681	DOOR PULL W/SCREWS	.20	⑬	4755-2141	HYDRAULIC PUMP-MONARCH
.25	⑤	4754-0721	DRAWER GUIDE (MUST CUT TO SIZE)	.15	⑭	4737B4198	RECESSED MOUNT
.05	⑥	4749-8398	DRAWER SLIDE TACK			4738-3088	SCREW x6
.75	⑦	4753C2091	CABINET FRONT	.10	⑮	4737A5558	FIRE EXTINGUISHER
.15	⑧	4753D5391	DOOR PANEL	.05	⑯	4716-1191	FIRE EXTINGUISHER STRAP M2

REPAIR PARTS/FLAT RATE

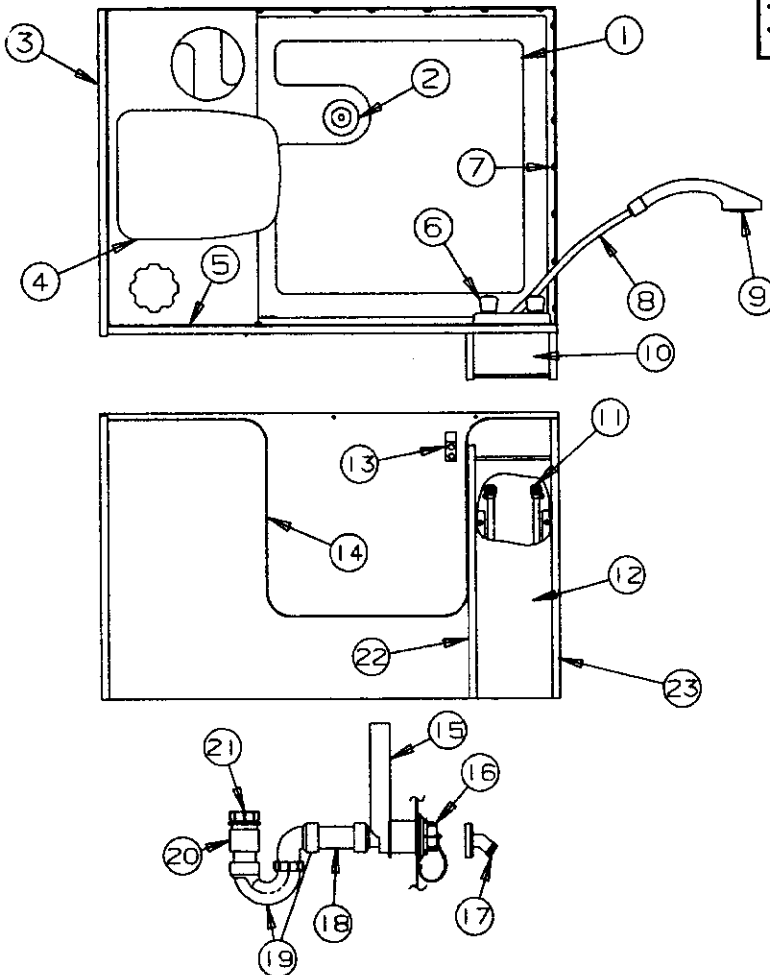


FLAT RATE ROADSIDE HUTCH ASSY. 3250 SUNRIGDE

1.50 *	① 4755A1161	HUTCH TOP 3150
	4747-8941	BLACK PLASTIC CAP M2
.30	4060400089P	T-MOLDING (14' PC. PKG.)
.15	② 4752D6901	DOOR PNL.
.60	③ 4755B1181	HUTCH SIDE
.10	④ 4745C26188	HINGE (SPRING LOADED)
.10	⑤ 4755-2681	DOOR PULL W/SCREWS
1.50 *	⑥ 4755C1201	HUTCH FRONT
.50	⑦ 4755C6741	DOOR PNL.
.50	⑧ 4754A0481	BUILT-IN COOLER
.75	⑨ 4752C456	HUTCH FRONT "SMALL"
.65	⑩ 4716C0151	F-CHANNEL 24" PC.
1.25	⑪ 4755B1171	HUTCH SIDE "LT."
.10	⑫ 4743-3551	FURNACE GRILL "ELM"

* ADD .50 W/HEATER

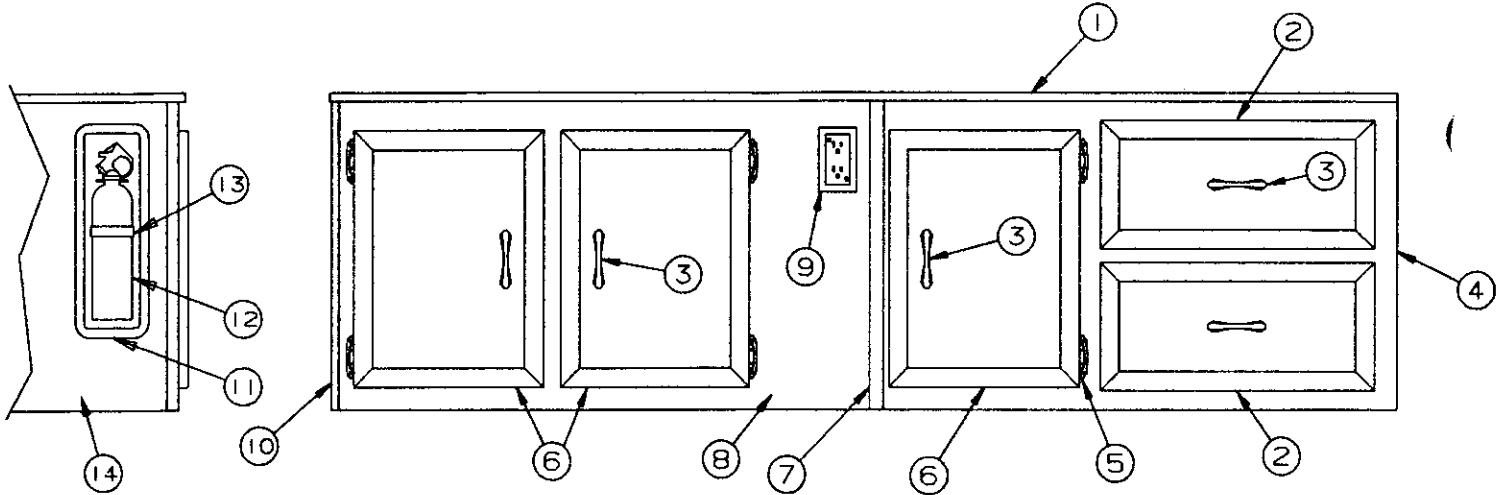
.40	SHOWER COVER BOARD ASSY. (4755B5671) ATTACHED TO FRONT BED	
.15	TOWEL BAR x1 (4734D0991)	
.15	BLACK VINYL SCREW CAP M6 (4739A4191)	
.15	HOLD UP STRAP x1 (4755A5681)	
.15	MOUNTING BRACKET W/ RIVETS (4746B8621)	



FLAT RATE POTTI/SHOWER CABINET-3280, 3295

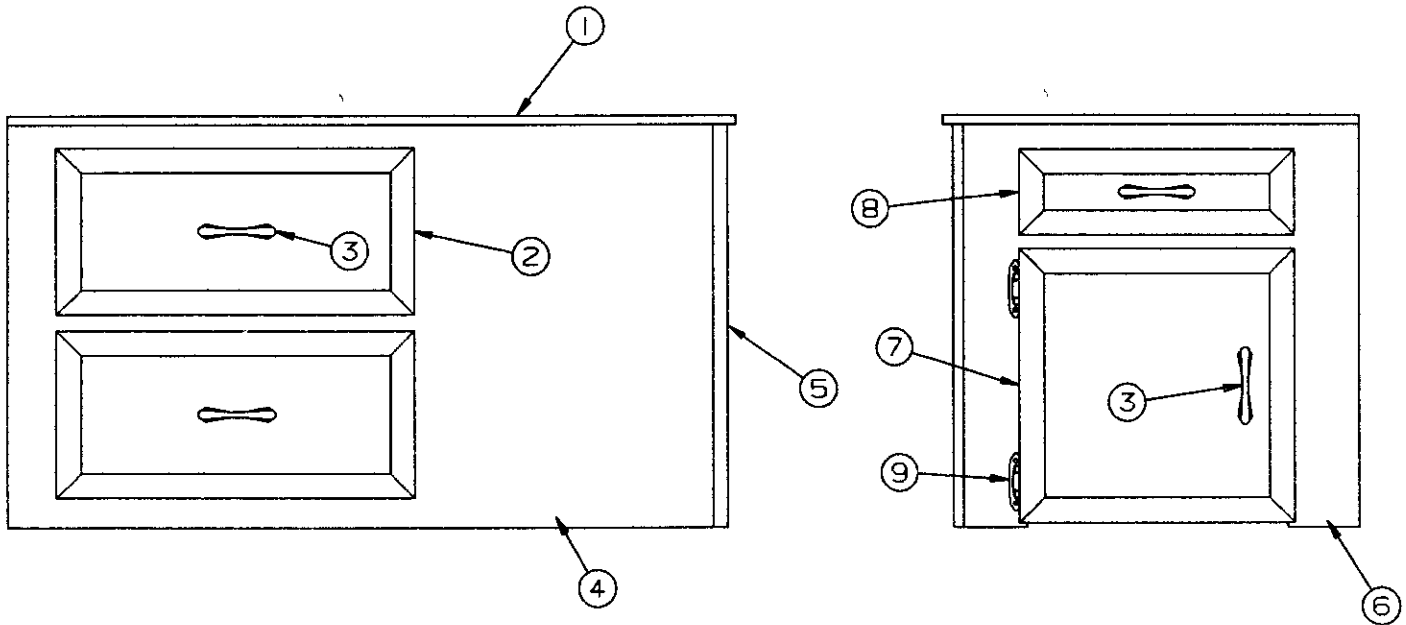
1.50	① 4753-3491	SHOWER PAN 3280,95
	4060000406F	TUB SEAL SOLD/FOOT
.50	② 4746A1821	BASKET & STRAINER
2.00	③ 4754A3861	SHOWER WALL 3280,95
.75	④ 4756-2251	CASSETTE POTTI 3280
.75	4746C2461	CASSETTE POTTI 3295
	⑤ 4060000403F	1/4" FOAM TAPE SOLD/FOOT
.50	⑥ 4741B2071	SHOWER DIVERTER
.10	4716-0848	SHOWER HOSE CONNECTOR
	⑦ 4739E2908	SCREW CAP M10
	4739-2918	SCREW CAP WASHER M10
.20	⑧ 4741B2051	SHOWER HOSE (69" LENGTH)
.15	⑨ 4746A3761	SHOWER HEAD W/BACKET
.10	⑩ 4755B0051	TOP SHELF
	⑪	NOTE:REFER TO PAGE 29 FOR THIS ITEM
.25	⑫ 4755B0161	LUAN FACE PLATE
	4060015601	5/32" U-CHANNEL
.10	⑬ 4720A0721	COOLER CLIP M2
1.50	⑭ 4756-2531	SHOWER THRESHOLD 3280
1.50	4753C4951	SHOWER THRESHOLD 3295
.25	4060450002P	1/2" T-MOLD (7' PC. PKG.)
1.00	⑮ 4741B9301	VENT SYSTEM
.10	⑯ 4714A2861	CAP & STRAP
	4749-4131	SHOWER DRAIN GASKET
	⑰ 4737-9138	DRAIN ADAPTER
1.00	⑱ 1 1/2" DRAIN PIPE (PURCHASE LOCALLY)	
.40	⑲ 4752-3621	P-TRAP W/UNION JOINT
.50	⑳ 4746-4991	1 1/2" COUPLER
.50	㉑ 4741A9331	TRAP ADAPTER
	4752-3631	RUBBER WASHER
.25	㉒ 4755A0061	CABINET SIDE LT.
.50	㉓ 4755B0071	CABINET SIDE RT.

1998 GRAND TOUR SERIES



FLAT RATE CURBSIDE REAR HUTCH ASSY. 3279 ,3280

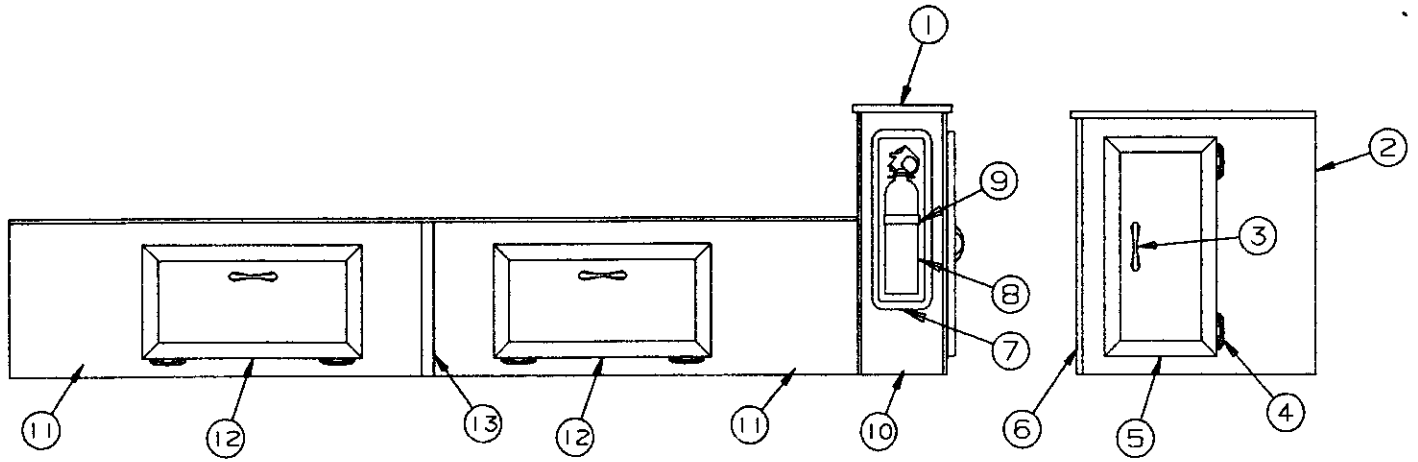
1.00	① 4756-1841	HUTCH TOP	.75	⑧ 4756-1831	HUTCH FRONT LT.
.30	4060400089P	T-MOLDING (14' PC. PKG.)	.35	⑨ 4752-2361	15 AMP RECEPTACLE
.10	② 4756-6011	DRAWER ASSY. x2	.65	⑩ 4716C0151	F-CHANNEL 24" PC.
.15	③ 4755-2681	DOOR PULL W/SCREWS	.15	⑪ 4737B4198	RECESSED MOUNT
.75	④ 4756-1851	HUTCH FRONT RT.	.10	⑫ 4737A5558	FIRE EXTINGUISHER
	⑤ 4745C26188	HINGE (SPRING LOADED)	.05	⑬ 4716-1191	FIRE EXTINGUISHER STRAP M2
.15	⑥ 4753D5391	DOOR PANEL x3	.50	⑭ 4756-1821	HUTCH SIDE
	⑦ 4754A054	H-CHANNEL			



FLAT RATE CURBSIDE FRONT CORNER CABINET 3279

.50	① 4756-1771	CABINET TOP
.30	4060400089P	T-MOLDING (14' PC. PKG.)
.10	② 4756-6011	DRAWER ASSY. x2
.15	③ 4755-2681	DOOR PULL W/SCREWS
.75	④ 4756-1781	CABINET FRONT
.65	⑤ 4716C0151	F-CHANNEL 24" PC.
.50	⑥ 4756-1761	CABINET SIDE
.15	⑦ 4756-6581	DOOR PANEL
.15	⑧ 4756-5941	DRAWER ASSY.
	⑨ 4745C26188	HINGE (SPRING LOADED)

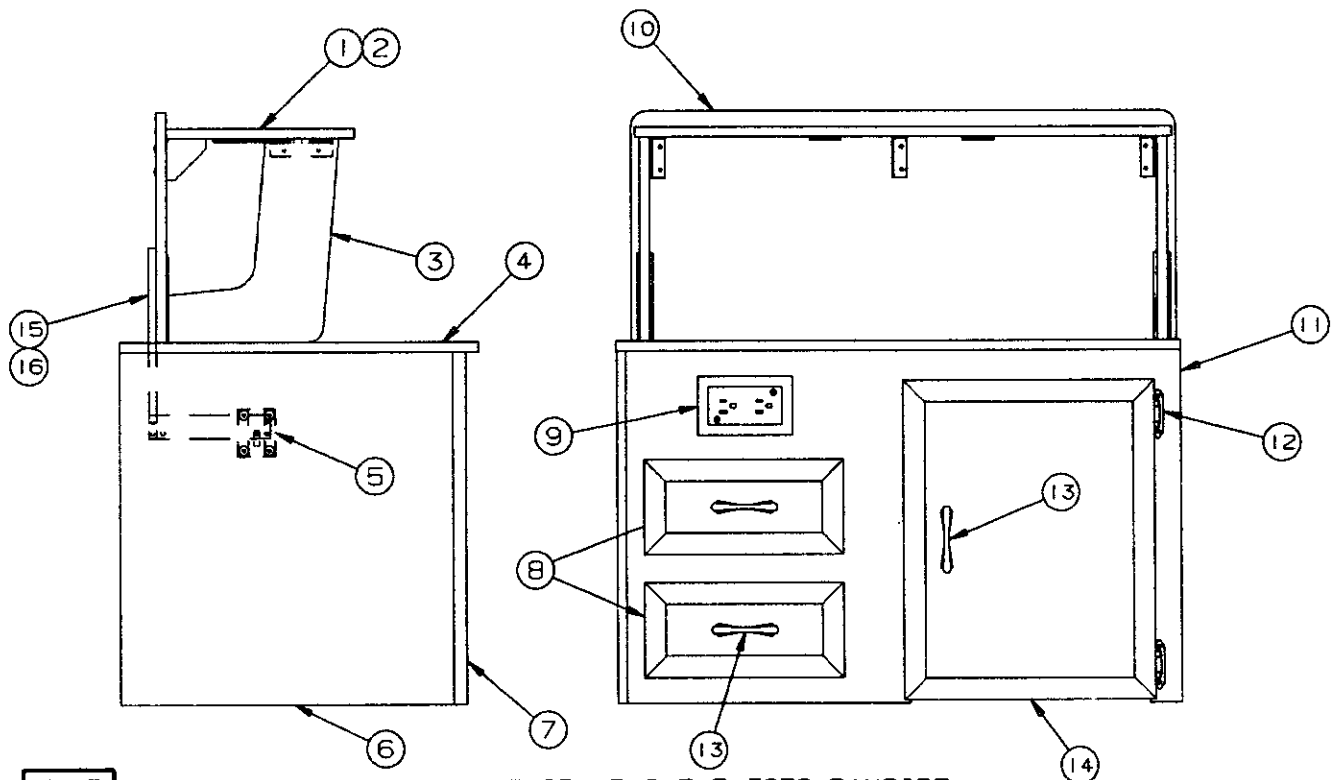
REPAIR PARTS/FLAT RATE



FLAT RATE

CURBSIDE FRONT GAUCHO/CABINET ASSY. 3278 BAYSIDE

.25	① 4752B9161	HUTCH TOP	.15	⑦ 4737B4198	RECESSED MOUNT
.30	4060400089P	T-MOLDING (14' PC. PKG.)	.10	⑧ 4737A5558	FIRE EXTINGUISHER
.75	② 4756-0101	CABINET SIDE	.05	⑨ 4716-1191	FIRE EXTINGUISHER STRAP M2
.10	③ 4755-2681	DOOR PULL W/SCREWS	.20	⑩ 4756-0091	CABINET FRONT
.10	④ 4745C26188	HINGE (SPRING LOADED)	.75	⑪ 4756-0131	SEAT PANEL x2
.15	⑤ 4752D6971	DOOR PANEL	.15	⑫ 4754D6151	DOOR PANEL x2
.65	⑥ 4716C0151	F-CHANNEL 24" PC.		⑬ 4754A054	H-CHANNEL

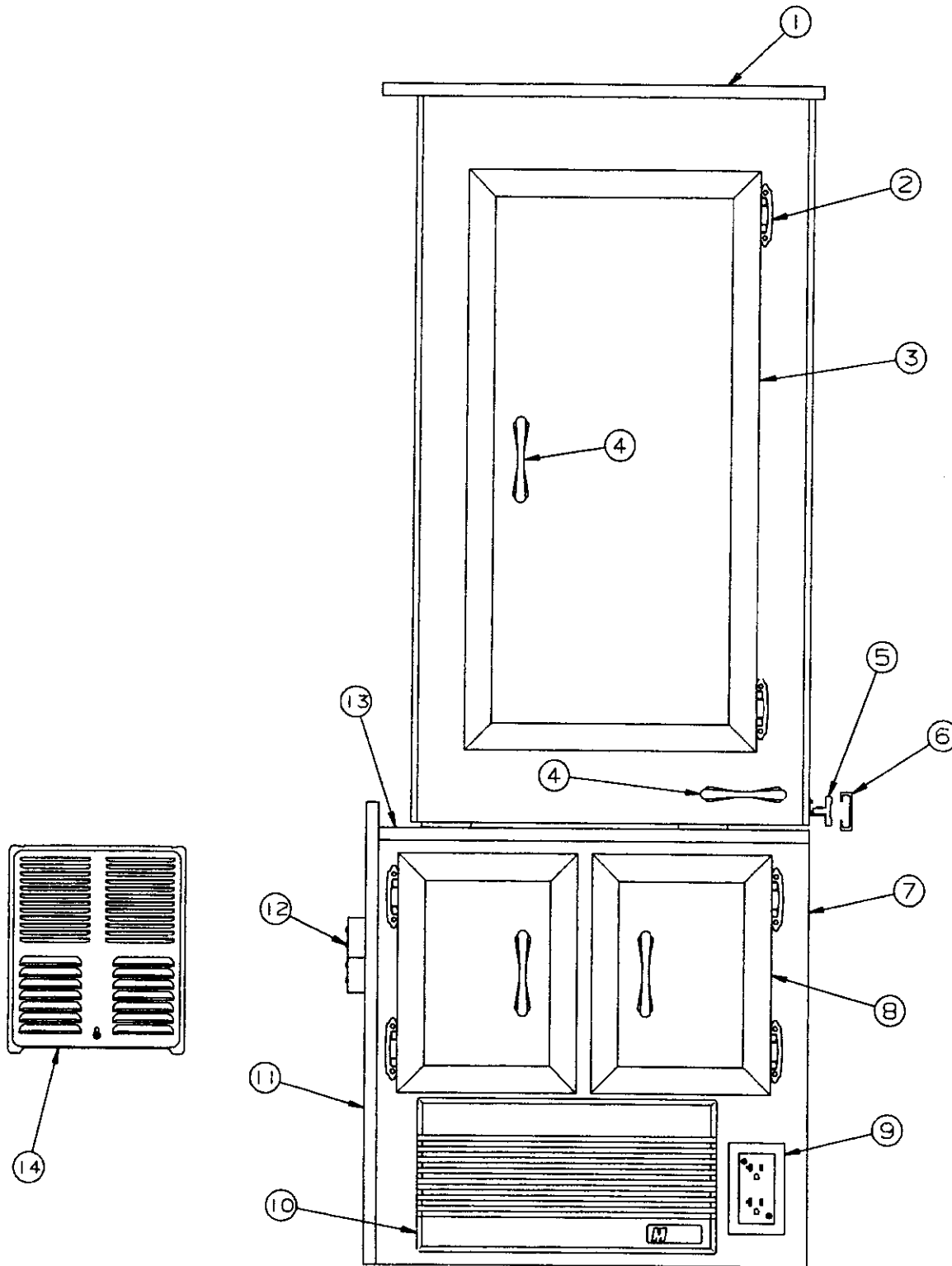


FLAT RATE

CSR CORNER CABINET W/FLIP-UP SHELF 3278 BAYSIDE

.25	① 4756-5951	FLIP-UP SHELF ASSY.	.10	⑧ 4752E6931	DRAWER ASSY. x2
.20	② 4756-0291	FLIP-UP SHELF TOP	.35	⑨ 4752-2361	15 AMP RECEPTACLE
.30	4060400089P	T-MOLDING (14' PC. PKG.)	.25	⑩ 4756-0301	FLIP-UP SHELF BACK
.15	③ 4756-0311	FLIP-UP SHELF SUPPORT x2	.75	⑪ 4756-0041	CABINET FRONT
.50	④ 4756-0031	CABINET TOP	.10	⑫ 4745C26188	HINGE (SPRING LOADED)
.35	⑤ 4756-5961	FLIP-UP PIVOT BRKT.	.10	⑬ 4755-2681	DOOR PULL W/SCREWS
.50	⑥ 4756-0061	CABINET SIDE	.10	⑭ 4756-6211	DOOR PANEL
.65	⑦ 4716C0151	F-CHANNEL 24" PC.	.30	⑬ 4756-6451	LEFT PIVOT ARM
			.30	⑭ 4756-6441	RIGHT PIVOT ARM

1998 GRAND TOUR SERIES



NOTE: WARDROBE CABINET ASSY. ONLY
STANDARD ON 3278 BAYSIDE

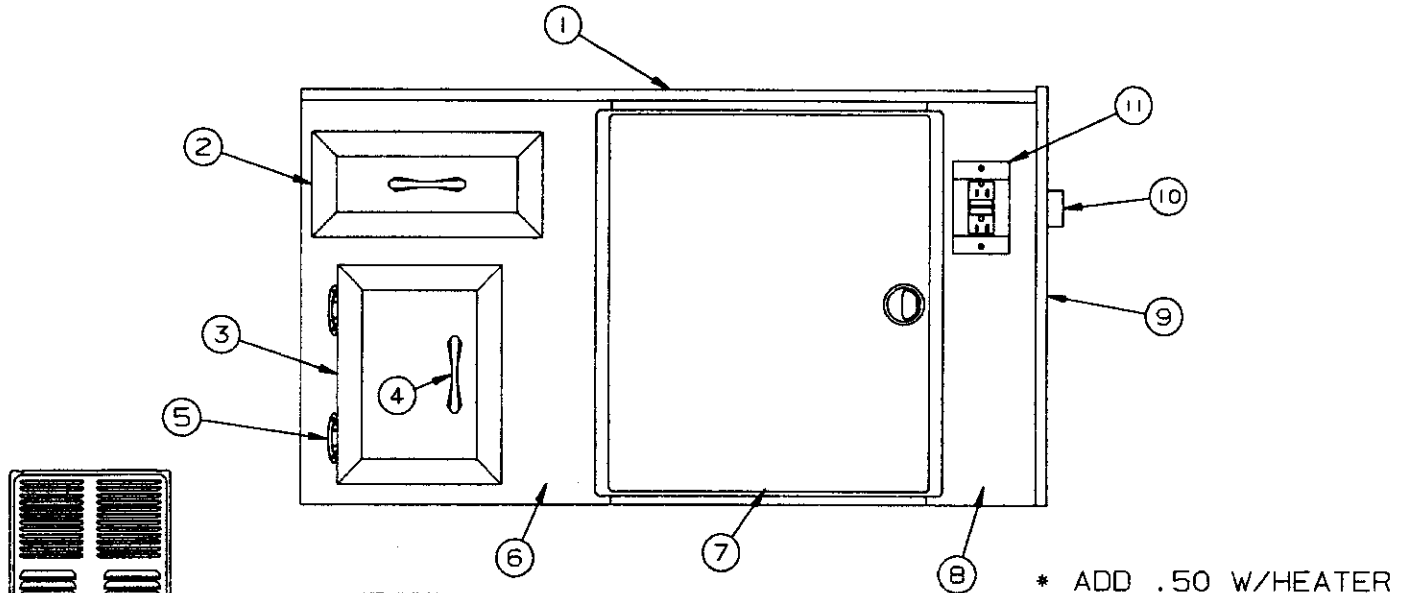
* ADD .50 W/HEATER

FLAT
RATE

RSF CORNER CABINET W/LIFT-UP WARDROBE CABINET 3278,79,80

.25	① 4756-1421	WARDROBE TOP	.15	⑧ 475206901	DOOR PANEL
.30	4060400089P	T-MOLDING (14' PC. PKG.)	.35	⑨ 4752-2371	20 AMP RECEPTACLE
.10	② 4745C26188	HINGE (SPRING LOADED)	.20	⑩ 4753-8201	CONVERTER
.15	③ 4756-6701	DOOR PANEL	.11	⑪ 4756-0011	GAZOODI 3278,79,80
.10	④ 4755-2681	DOOR PULL W/SCREWS	.25	⑫ 4755A8201	NYLON BLOCK x2
.35	⑤ 4756-1941	WARDROBE SLIDE	*.25	⑬ 4756-0081	CABINET TOP 3278
.35	⑥ 4756-2051	SLIDE CHANNEL	*.25	4756-2761	CABINET TOP 3279,80
.75 *	⑦ 4756-0071	CABINET FRONT 3278	.10	⑭ 4743-3551	FURNACE GRILL
.75 *	4756-2771	CABINET FRONT 3279,80			

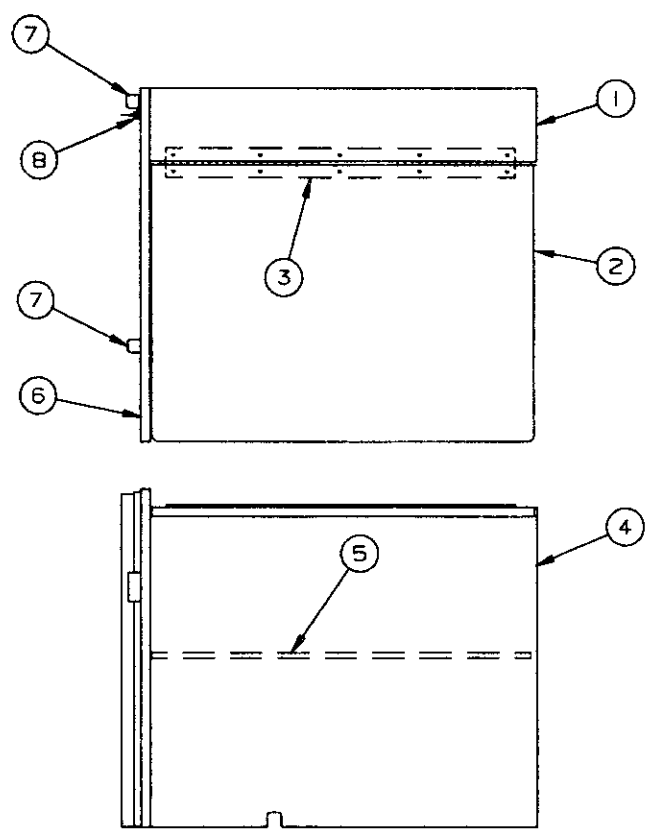
REPAIR PARTS/FLAT RATE



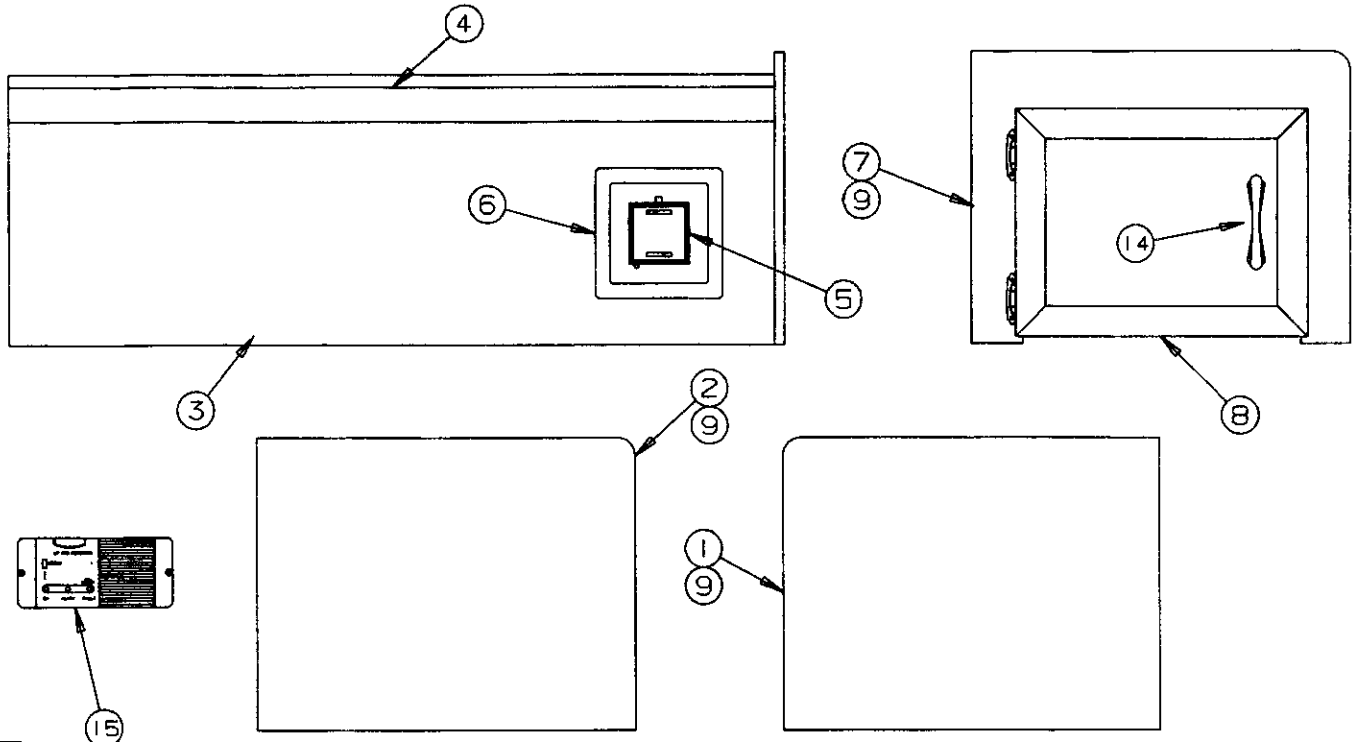
* ADD .50 W/HEATER

FLAT RATE	ROADSIDE REAR CABINET 3282 CASA GRANDE	
*1.00	①	4756-3831 CABINET TOP
.30		4060400089P T-MOLDING (14' PC. PKG.)
.20	②	4752E6931 DRAWER ASSY.
.15	③	4756-5161 DOOR PNL. 12" x 9 1/8"
.10	④	4755-2681 DOOR PULL (INCLUDES SCREWS)
.10	⑤	4745C26188 HINGE (SPRING LOADED)
*.75	⑥	4756-3811 CABINET FRONT
.50	⑦	4754A0481 BUILT-IN COOLER
*.75	⑧	4756-3821 CABINET FRONT
	⑨	4756-0011 GAZOODI
.25	⑩	4755A8201 NYLON BLOCK x2
.35	⑪	4746B3841 GFI RECEPTACLE
	⑫	4743-3551 FURNACE GRILL

FLAT RATE	RS FRT. CORNER CAB. 3282 CASA GRANDE	
.30	①	4756-3991 CABINET TOP (FIXED)
.30	②	4756-4001 CABINET TOP
.30		4060400089P T-MOLDING 8' PC. PACKAGED
.30	③	4756-4041 HINGE
.40	④	4756-4011 HUTCH FRONT
.05	⑤	4756-4021 SHELF x2
	⑥	4756-0011 GAZOODI
.25	⑦	4755A8201 NYLON BLOCK
.25	⑧	4755-411 VERTICAL EXTRUSION
		4064700589P SLIDEOUT SIDE SEAL

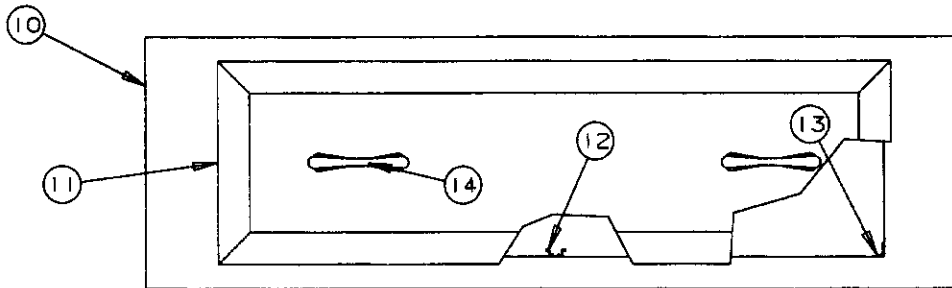


1998 GRAND TOUR SERIES



FLAT RATE SEAT BENCH COMPONENT PARTS

.30	①	4755A1061	SEAT END CURBSIDE REAR 3250	.40	⑦	4755A0991	SEAT END W/DOOR CUTOUT 3250
.30		4754A0351	SEAT END ROADSIDE FRONT 3278,79,80	.40		4752D4771	SEAT END W/DOOR CUTOUT 3282
		4754B0351	SEAT END RSF W/DR. CUTOUT 3278,79,80	.15	⑧	4752E6351	DOOR PNL. 3250 3282
.30	②	4755A1051	SEAT END CURBSIDE FRONT 3250	.10		4745C26188	HINGE (SPRING LOADED)
.30		4754A0371	SEAT END ROADSIDE REAR 3278,79,80	.30	⑨	4060450002P	1/2" LIPPED T-MOLDING 7' PC. PKG.
.30		4754B0371	SEAT END RSR W/DR. CUTOUT 3278,79,80	.35	⑩	4752D4781	CENTER SEAT FRONT 3250
.30		4752B4711	SEAT END CURBSIDE BENCH 3295	.10	⑪	4753E5451	DRAWER ASSY. 3250
.50	③	4716-2721	SEAT PANEL (MUST CUT TO SIZE)	.25	⑫	4754-0721	DRAWER GUIDE 23" MUST CUT TO SIZE
.50	④	4754A2391	TABLE REST 59" (MUST CUT TO SIZE)	.05	⑬	4749-8398	PLASTIC CORNER TACK
.25	⑤	4752-8461	THERMOSTAT	.10	⑭	4755-2681	DOOR PULL W/SCREWS
.20	⑥	4747-8391	PLASTIC BASE & BRACKET	.25	⑮	4753-9171	LP GAS DETECTOR

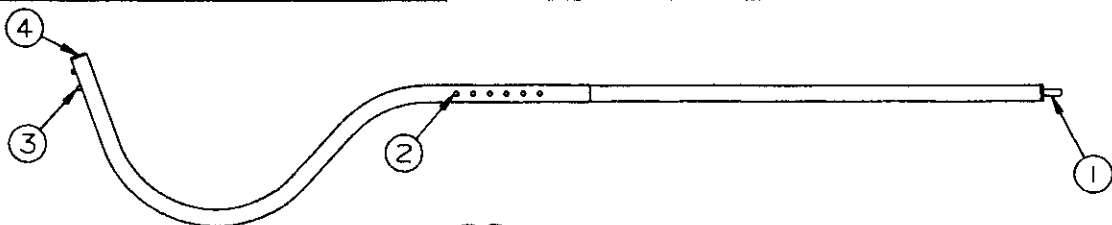


FLAT RATE TENT SUPPORT COMPONENTS

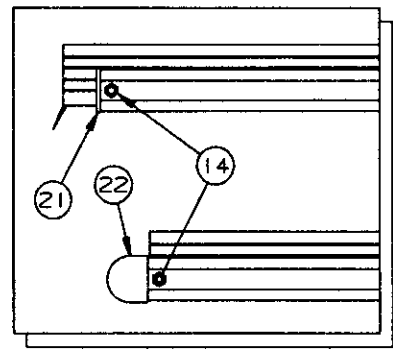
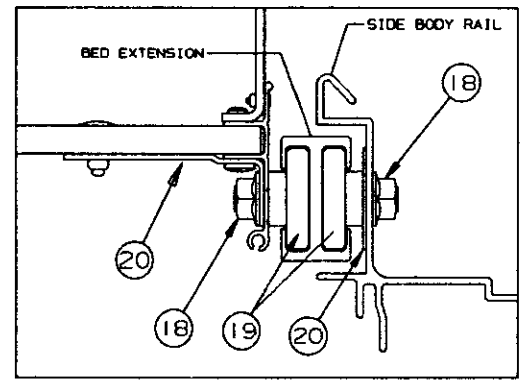
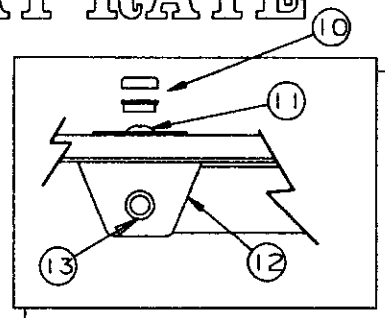
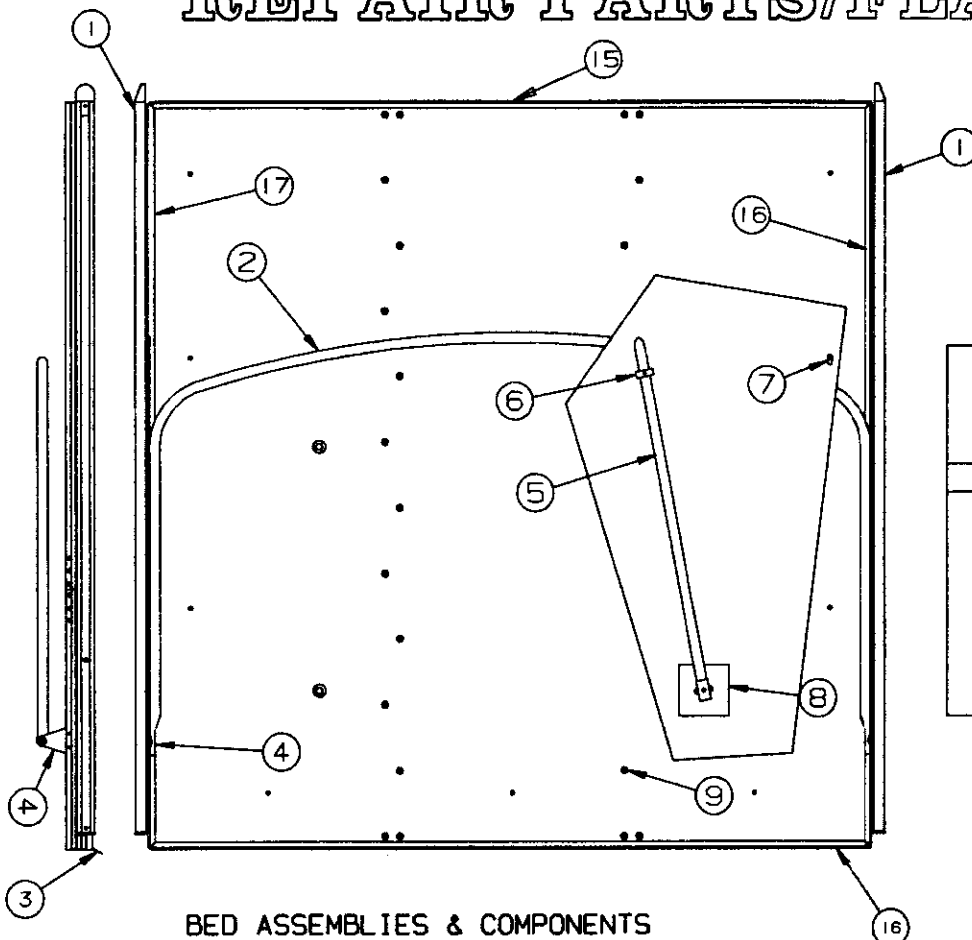
.20	①	8470-1728	BLACK POLE PIN M10
.10	②	4734-6708	SPRING ASSEMBLY
.10	③	4734A6708	SPRING ASSEMBLY
.10	④	4752-0561	TUBE CLOSURE (BLACK)

**TENT SUPPORT ASSEMBLIES (COMPLETE)
FLAT RATE .10 PER TENT SUPPORT**

MODEL	FRONT BED	REAR BED
3250, 78, 79, 80, 82, 95	4741G5581	4741G5581



REPAIR PARTS/FLAT RATE



BED ASSEMBLIES & COMPONENTS

.75	3279, 80, 82	4755B5161	FRONT BED (QUEEN)
.75	3278, 50, 95	4755C5171	FRONT BED (QUEEN)
.75	3250, 78, 79, 80, 82, 95	4755B6791	REAR BED (QUEEN)

FLAT RATE

- * .50 ON FIRST EXTENSION
- * .25 ON SECOND EXTENSION

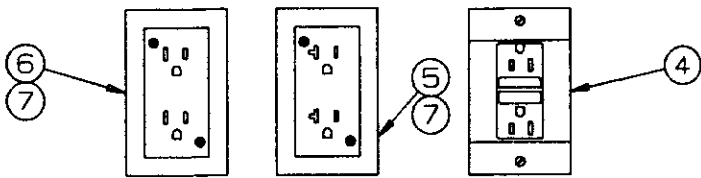
*	①	4716U4031	BED EXTENSION (ALL)
.25	②	4714B1901	TENT BOW & LEG PACKAGE
.25	③	4060400339F	VINYL BED SEAL (SOLD/FOOT)
.15	④	4720G5631	BED BOW BRACKET x2 (ALL)
.20	⑤	4734E5881	BED LEG ASSEMBLY M2 (USED ON 4755B5161, 4755C5171)
.20		4753-3811	BED LEG ASSEMBLY (USED ON 4755B6791)
.15	⑥	4720C0771	BED LEG CLIP M4
		1203-8831	RIVET M25
.15	⑦	4720D4021	LASHING HOOK M6
		1203-8741	RIVET M25
.20	⑧	4737A4178	SUPPORT PLATE
	⑨	1203C8721	RIVET M25
	⑩	4739E2908	SCREW CAP M10
		4739-2918	SCREW CAP WASHER M10
	⑪	4716-074	SCREW
		1202B2528	WASHER
.20	⑫	4734A5141	BED LEG BRACKET
	⑬	4720A2361	ROD & PAL NUT
.20	⑭	1034B1612B	1/4" x 3/4" FLAT HEAD MACHINE SCREW
		1201B6378	LOCK NUT
1.50	⑮	4733D0921	INSIDE BED FRAME (QUEEN BED)
1.50	⑯	4744B9991	OUTSIDE BED FRAME (QUEEN BED)
.20	⑰	4755A2591	BED BRKT. W/MOUNTING HARDWARE (USED x4 PER BED ASSY.)
	⑱	4739-2298	LOCK NUT
	⑲	4754-8101	BED ROLER, NUT, BOLT, & WASHER PKG.
	⑳	1202B2908	WASHER
	㉑	4754-8631	BED SLIDE END CAP
	㉒	4754-4821	BED SLIDE WEDGE

MATTRESS ASSEMBLIES & COVERS F.R. - .50

FRONT & REAR MATTRESS

	MATT. ASSY.	COVER
3250, 78, 79, 80, 82, 95	4748F6241	4716F6241

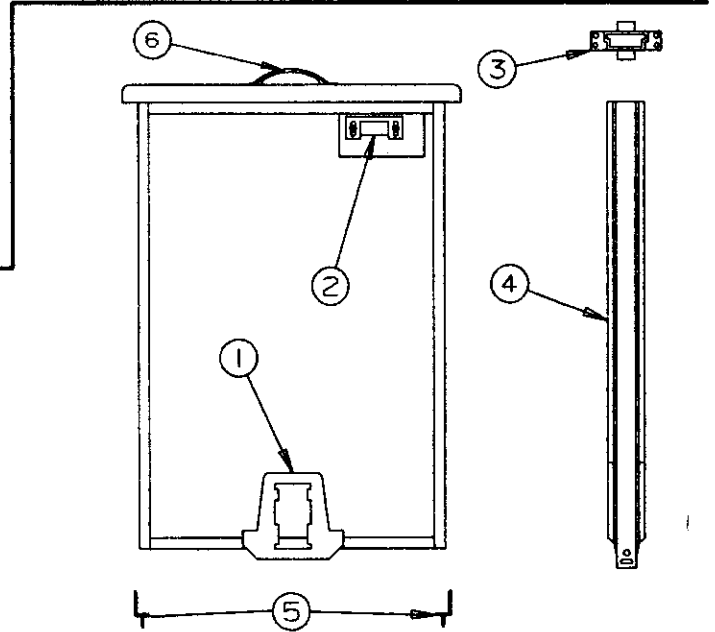
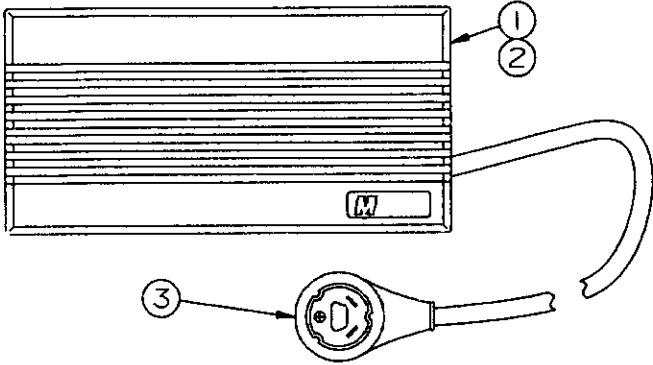
1998 GRAND TOUR SERIES



FLAT RATE

CONVERTER AND RELATED PARTS

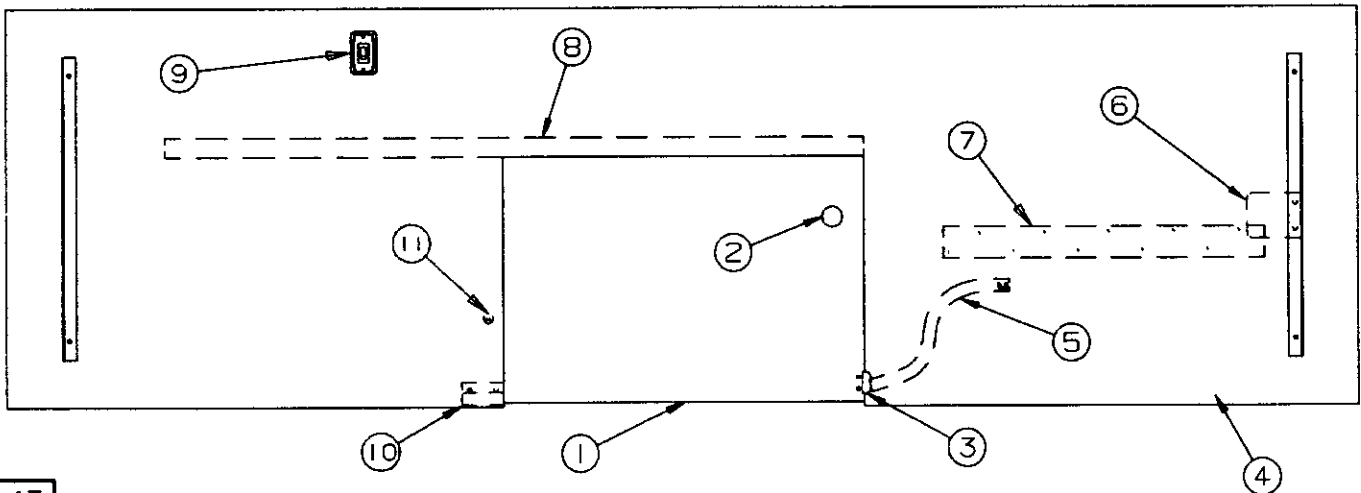
1.00	①	4753-8201	CONVERTER (ALL)
.15	②	4716-1301	CONVERTER FACE COVER (PLASTIC)
.60	③	4744-3101	POWER CORD 30 FT. (ALL)
.35	④	4746B3841	GFI RECEPTACLE W/COVER (WHITE)
.25	⑤	4752-2371	20 AMP RECEPTACLE W/COVER (WHITE)
.25	⑥	4752-2361	15 AMP RECEPTACLE W/COVER (WHITE)
	⑦	4746A3851	RECEPTACLE BOX



FLAT RATE

DRAWER ASSY. COMPONENTS

.15	①	4749-8371	PLASTIC DRAWER GUIDE
.15	②	4749-8381	PLASTIC DRAWER LATCH
.15	③	4749-8361	PLASTIC GUIDE SOCKET
.25	④	4754-0721	METAL DRAWER GUIDE
.05	⑤	4749-8398	PLASTIC CORNER TACK
.15	⑥	4755-2681	DOOR PULL W/SCREWS

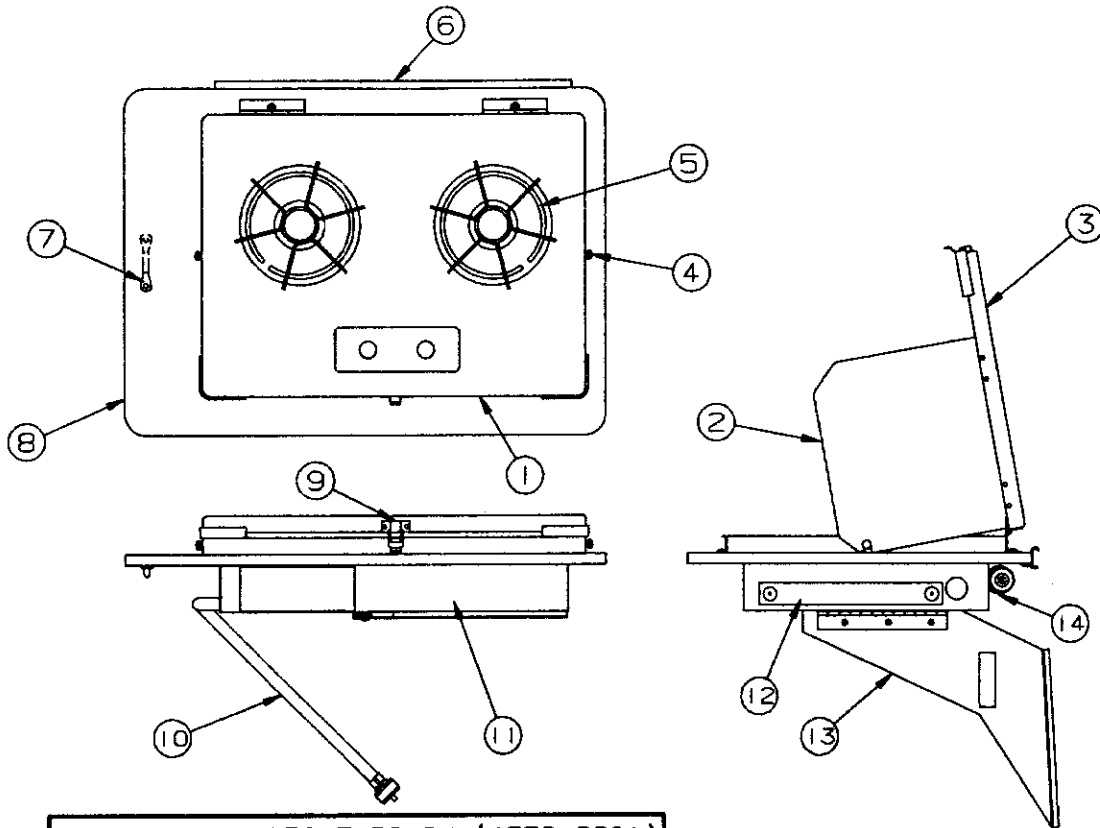


FLAT RATE

FRONT STORAGE WALL W/SLIDING DOOR - 3250, 3278, 3295

.25	①	4751D2691	SLIDING DOOR PANEL (ALL)	.15	⑥	4753B2551	STOVE SUPPORT BRKT.
.10	②	4748A3951	DOOR PULL (INCLUDES SCREW)			4733C41368	ELM TEK SCREW x2
.20	③	4751A0901	DOOR CATCH	.15	⑦	4350000209	2" VELCRO LOOP SOLD/FT.
		4747B923	RIVET x2	.35	⑧	4716-4021	DOOR SLIDE TRACK 48" PC.
4.00	④	4756-3401	WOOD FRT. BULKHEAD 3250	.15	⑨	4751-1161	"LIGHTED" ROCKER SWITCH
4.00		4756A2081	WOOD FRT. BULKHEAD 3278			4739-0528	SCREW x2
4.00		4751F2681	WOOD FRT. BULKHEAD 3295	.15	⑩	4754-2661	DOOR BRKT. PKG.
.15	⑤	4753A6391	STOVE STRAP			INCLUDES - BRKT., SCREWS, SCREW CAPS & WASHERS	
		4744B4608	RIVET M25	.05	⑪	4710-2681	STOP BUTTON M5
		1202B0268	WASHER x1			1034B1612	SCREW

REPAIR PARTS/FLAT RATE

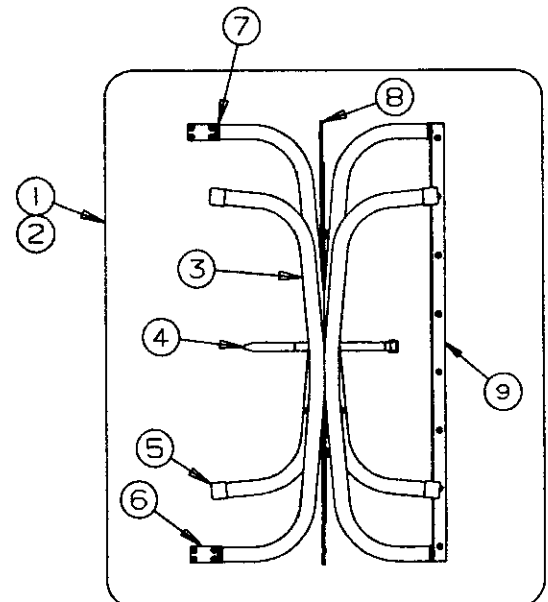


BLACK VINYL STOVE POUCH (4752-6601)

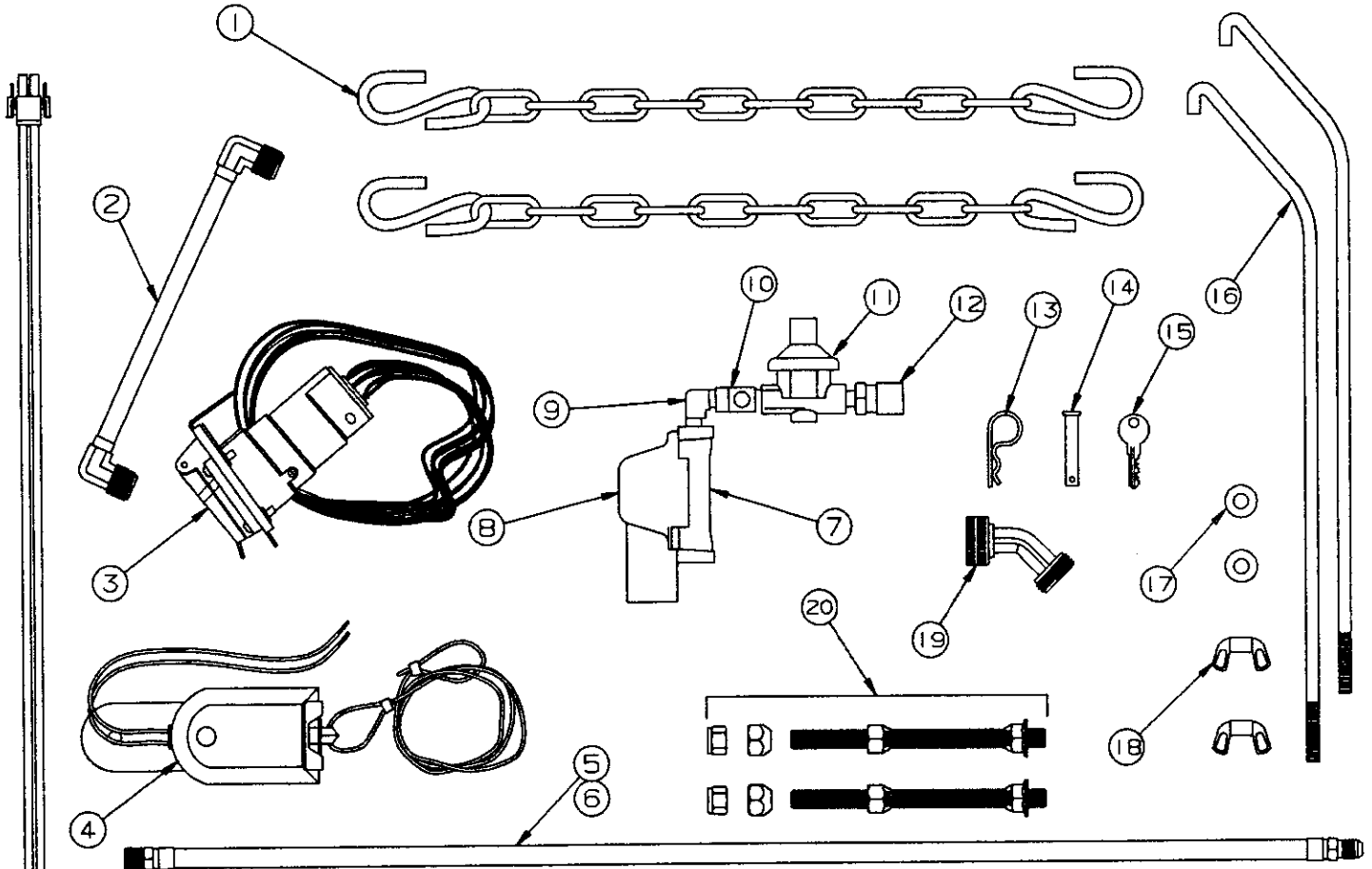
FLAT RATE	OUTSIDE STOVE COMPONENT PARTS			
.15	① 4746-9491	2 BURNER COOK TOP	.20 ⑨ 4733-4018	LATCH
.10	② 4749899381	STOVE FIN x2	.10 4733-4028	LATCH STRIKE
.15	③ 4749866081	STOVE COVER	.25 ⑩ 4746-9891	GAS HOSE
.15	4742-9538	H.P. DECAL	.75 ⑪ 4746A9481	STOVE BOX
.05	④ 4716A0881	THUMB SCREW x2 M6	.15 ⑫ 4742-897	NYLON STOVE HANDLE
.05	⑤ 4716-1851	GRATE x2	1203-8641	RIVET x2 M25
.35	⑥ 4754-0471	STOVE HANGER BRACKET	1202B2698	WASHER x2
.20	⑦ 4733A4511	STEEL LOOP M2	.25 ⑬ 4746-9221	OUTSIDE STOVE FLAP
.60	⑧ 4746C9391	COUNTER TOP	.15 ⑭ 4734-2431	GRIPPER CLIP M4
.30	4060600081F	WHITE T-MOLDING (SOLD/FOOT)		

* USED ON TRAILERS PRIOR TO S/N - 21146
 ** USED ON TRAILERS STARTING W/ S/N - 21146 THEREAFTER

FLAT RATE	DINETTE TABLE ASSEMBLY COMPONENTS		
.50	① 4755B0981	TABLE TOP (39x30) 3250	
.50	4755A3841	TABLE TOP (42 3/4x28 3/4) 3278,79,80,82	
.50	* 4754A3891	TABLE TOP (54x28) 3295	
.50	** 4754C3891	TABLE TOP (42x28) 3295	
.30	② 4060400089P	T-MOLDING (14' PC. PKG.)	
.50	③ 4745F52781	TABLE LEG PKG. "OAK"	
		NOTE: PKG. INCLUDES 2 LEGS & REQUIRED MOUNTING HARDWARE	
.10	④ 4751A9711	STRAP & SCREW PKG.	
	⑤ 4752-0551	WHITE PLASTIC CAP M2	
	⑥ 4720F1211	TABLE LEG MOUNTING BRACE M2	
	1103B101F	5/8" WOOD SCREW	
.15	⑦ 4752A0561	TABLE LEG INSERT CAP M2	
	4747-2558	EXPANSION RIVET M25	
.25	⑧ 4720A1501	LOCK BRACE ASSEMBLY	
	1103B101F	5/8" WOOD SCREW	
	⑨ 4720G1211	TABLE BRACE PKG.	
		NOTE: INCLUDES MOUNTING HARDWARE	



1998 GRAND TOUR SERIES

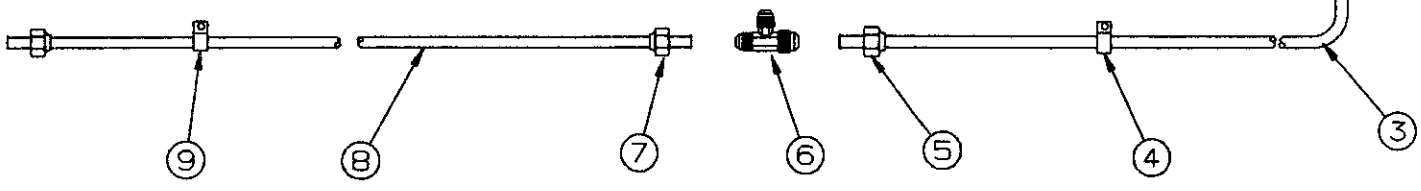
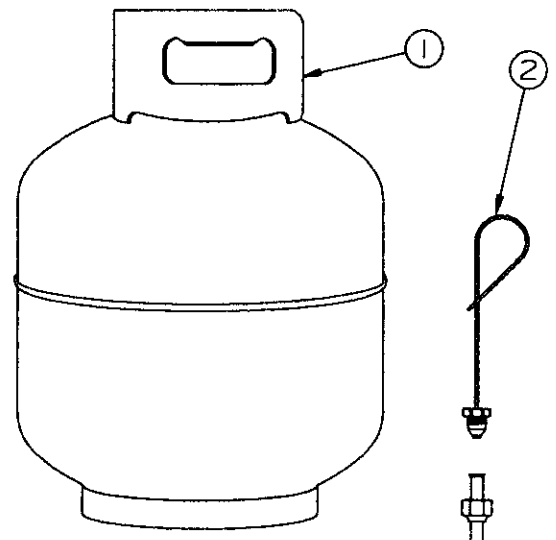


4750B6131 PARTS PACKAGE (COMPLETE) 3250
 4750C6111 PARTS PACKAGE (COMPLETE) 3278, 79, 80, 82, 95

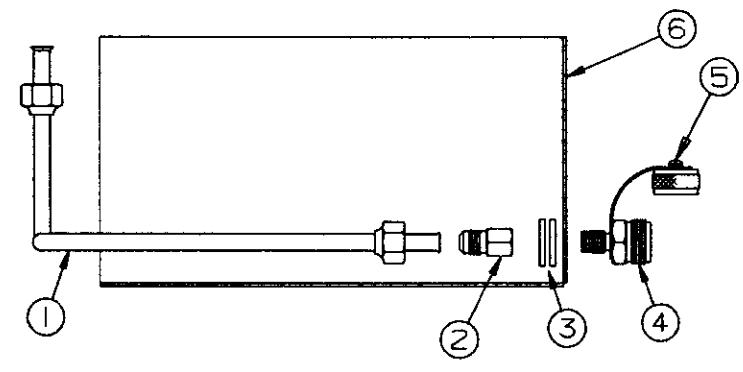
FLAT RATE	PARTS PACKAGE COMPONENT PARTS
	① 4749A9601 29" TOW CHAIN M2 (ALL)
	② 4746-5381 WINTERIZING ADAPTER
	③ 4746A5591 PIGTAIL "BARGMAN"
	④ 4746-0401 BREAK-A-WAY SWITCH
.20	⑤ 4737-8871 GAS HOSE-LOW PRESSURE
.20	⑥ 4742-8081 GAS HOSE-HIGH PRESSURE
.45	⑦ 4742-8051 REGULATOR-LOW PRESSURE
	⑧ 4746-4231 REGULATOR COVER (PLASTIC)
	⑨ 4742-8031 BRASS ELBOW
	⑩ 4739-6998 BRASS ELBOW
.45	⑪ 4742-8041 HIGH PRESSURE REGULATOR
	⑫ 4737-9308 POL ADAPTER
	⑬ 4732A4791 PIN M10
	⑭ 4771-2631 HITCH PIN M5
	⑮ 4730B3211 KEY M10 #8025 (GOLD PLATED)
	⑯ 4733F6281 GAS BOTTLE MOUNTING BRKT. PKG. NOTE: (PKG. INCLUDES WING NUTS & WASHERS)
	⑰ 1202B0468 WASHER x2 M10
	⑱ 1201-6258 WING NUT x2
	⑲ 4744-2651 GOOSENECK
	⑳ 4741A5791 SPARE TIRE MOUNT KIT
	㉑ 4749A5531 WIRE HARNESS W/BREAKER M2
	㉒ 4751-4811 15 AMP CIRCUIT BREAKER

REPAIR PARTS/FLAT RATE

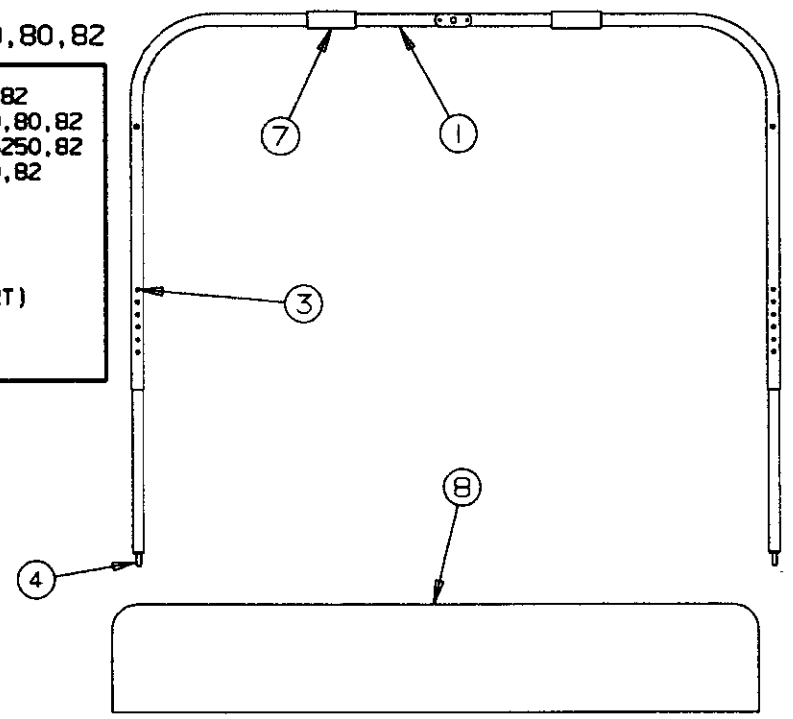
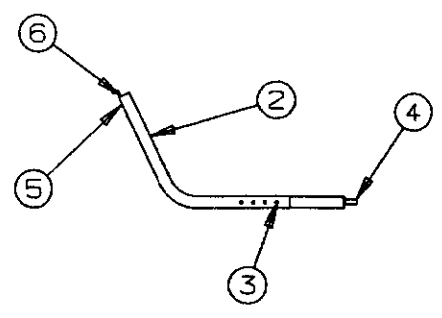
FLAT RATE	GAS SYSTEM & RELATED PARTS	
.15	① 4720J5928	GAS BOTTLE (ARCTIC WHITE)
	② 4737-838	1/2" PLASTIC CAP & CHAIN
.50	③ 1/2" COPPER	GAS LINE PURCHASE LOCALLY
	④ 1201-873	1/2" CLAMP - RUBBER COATED
	⑤ 1215-243	1/2" FLARE NUT
.50	⑥ 1215-178	BRASS TEE - 1/2"x3/8"x3/8"
.50	1215-177	BRASS TEE - 3/8"x3/8"x3/8"
	⑦ 1215-2418	3/8" FLARE NUT
.50	⑧ 4714-0711	COPPER GAS LINE ASSY. (100")
	⑨ 1201-8708	3/8" CLAMP - RUBBER COATED



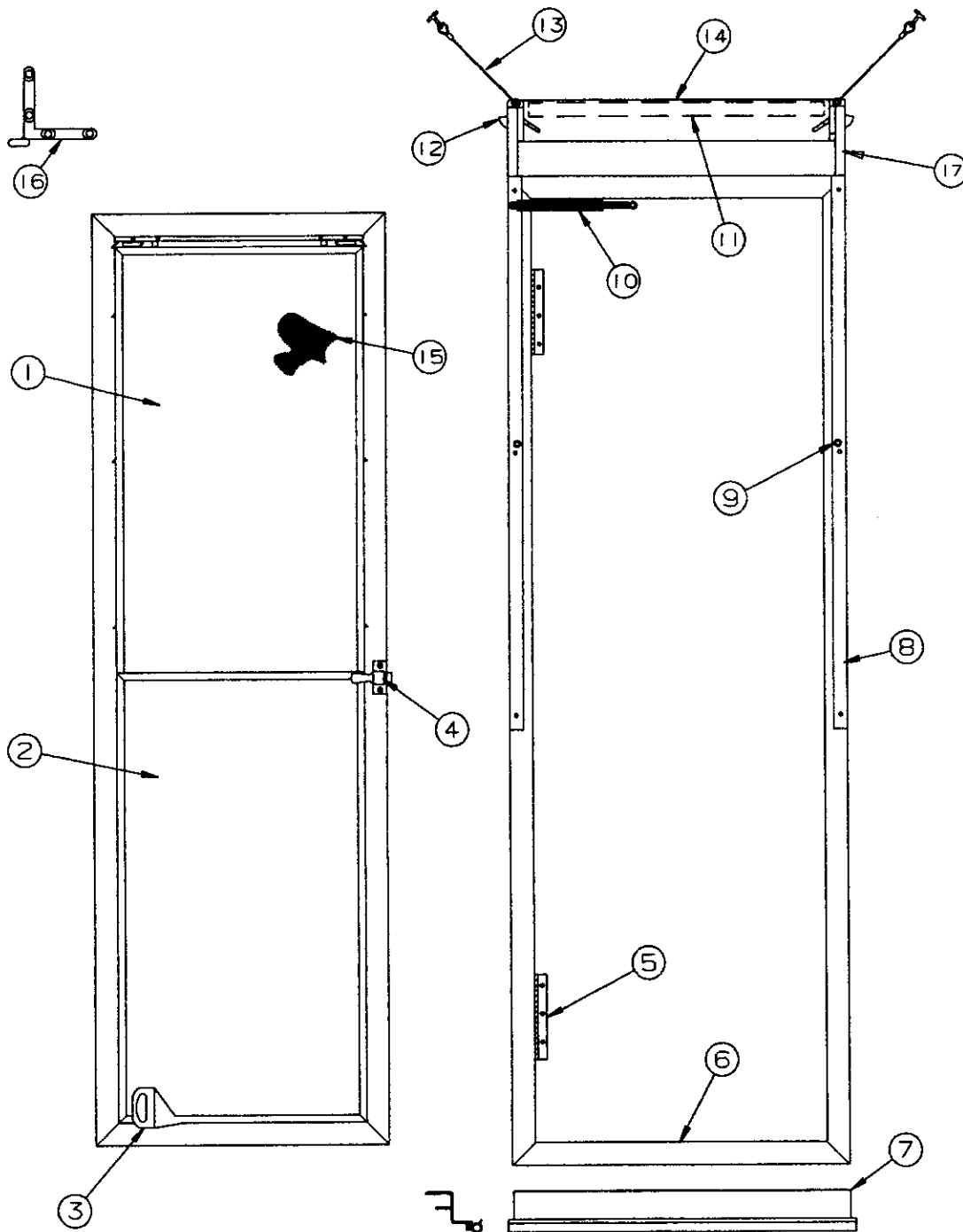
FLAT RATE	OUTSIDE STOVE HOOKUP COMPONENTS	
.50	① 4714-0721	110" GASLINE & FLARE NUTS
	1215-2418	FLARE NUT
.40	② 4742-8061	FEMALE COUPLING
	③ 1202B1068	WASHER x2
.40	④ 4739-6978	CYLINDER ADAPTER
.40	⑤ 4742-8071	BRASS CAP & STAP
1.00	⑥ 4742A8551	GAS LINE PROTECTOR



FLAT RATE	TIP-OUT/GLIDE-OUT TENT BOW 3250, 78, 79, 80, 82	
.10	① 4755-5611	TIP-OUT TENT BOW (COMPLETE) 3250, 82
.10	4756-2071	GLIDE-OUT TENT BOW (COMP) 3278, 79, 80, 82
.05	② 4754A6761	TIP-OUT TENT SUPPORT (COMPLETE) 3250, 82
.05	4756-6661	GLIDE-OUT TENT SUPPORT 3278, 79, 80, 82
	③ 4734-6708	SNAP SPRING x2
.20	④ 8470-1728	BLACK PIN M10
	⑤ 4734A6708	SPRING ASSEMBLY
.10	⑥ 4755-2111	HOOK BRKT.
	4733D0601	RIVET M25 (TO HOLD HOOK TO SUPPORT)
.10	⑦ 4350000209F	2" x 2" VELCRO LOOP (SOLD/YD)
.10	⑧ 4755-0971	TIPOUT SUPPORT BOARD



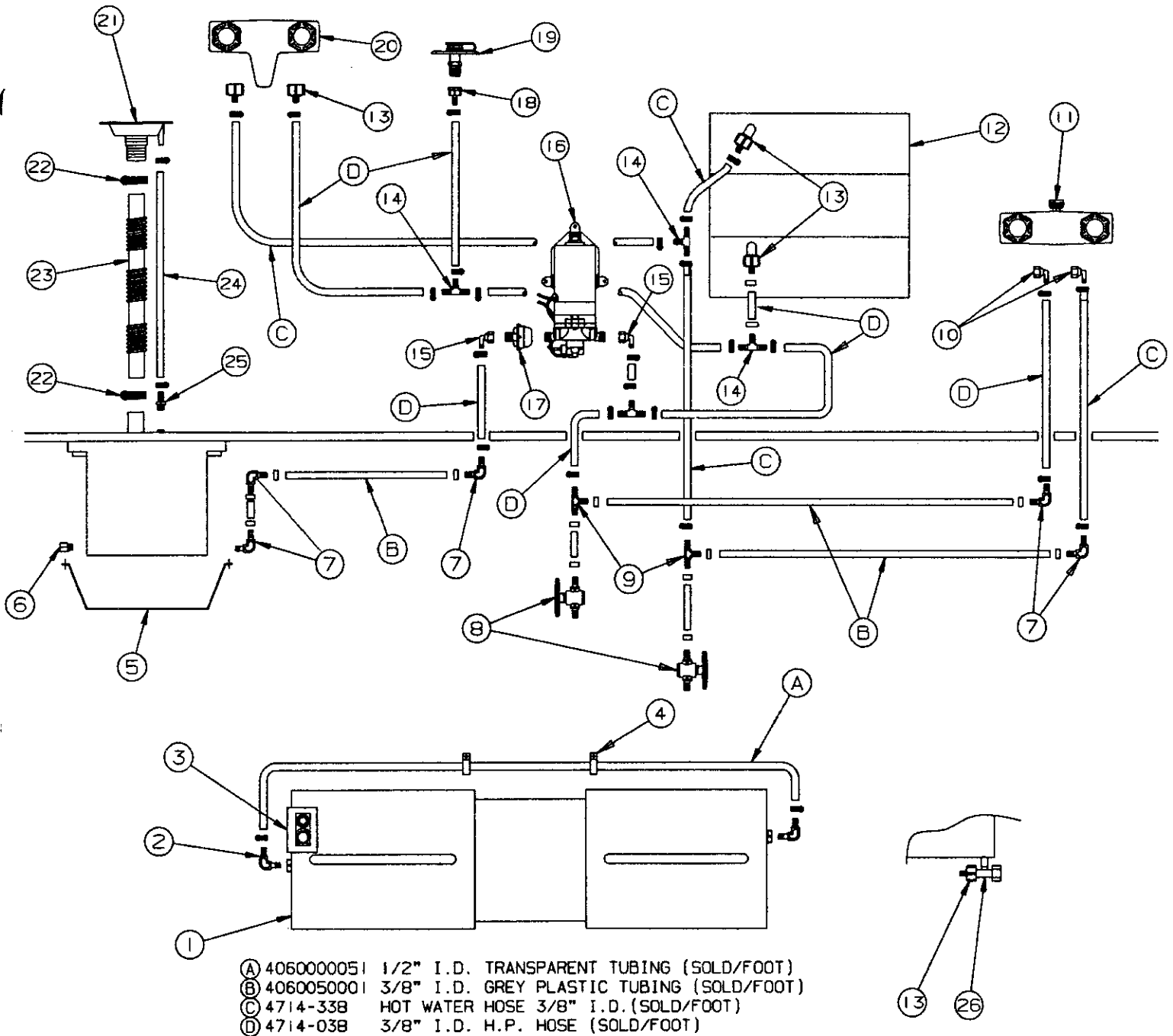
1998 GRAND TOUR SERIES



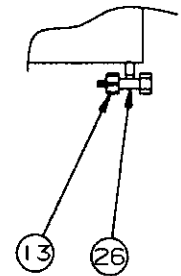
NOTE: PARTS MARKED W/ * ASTERISK ARE NOT INCLUDED W/ SCREEN DOOR
 .30 SCREEN DOOR & JAMB ASSEMBLY COMPLETE - 4739N6681

FLAT RATE	QTY	PART NUMBER	DESCRIPTION	QTY	PART NUMBER	DESCRIPTION
.10	1	4716D3401	TOP SLIDING WINDOW PANE	.20	10	4731A8201 SPRING PKG.
.10	2	4716C3411	SLIDING WINDOW PANE	.10	11	4060000400F D-SEAL (SOLD/FT.)
.15	3	4750-3591	RUBBER SEAL (18" LENGTH)	.25	12	4741-8658 SASH LOCK x2
.15	4	*4742-9671	DOOR LATCH ASSEMBLY			4747A9231 RIVET M25
.15	5	4720C3601	HINGE x2			1202B2698 WASHER
		1203-8641	RIVET M25			4733-3398 PLASTIC SPACER
	6	4710L4098	BOTTOM LINTEL	.15	13	4734E5211 CABLE ASSEMBLY M2
.25	7	*4747B2011	SCREEN DOOR SUPPORT	.50	14	4753-4501 TOP BRACKET
		*4060000399F	RUBBER SEAL (SOLD/FT.)			1203-8641 RIVET M25
.20	8	4754-3811	VEL-STICK x2 & MOUNTING HARDWARE	.75	15	4716-1111 SCREENING 36" x 18 1/2"
.05	9	4730A3548	STUD W/SCREW x2	.50	16	4710-3791 CORNER BRACE HINGE M2
				.10	17	4350000119F VELCRO LOOP "BLACK" SOLD/YD.

REPAIR PARTS/FLAT RATE



- (A) 406000005 1/2" I.D. TRANSPARENT TUBING (SOLD/FOOT)
- (B) 406005000 3/8" I.D. GREY PLASTIC TUBING (SOLD/FOOT)
- (C) 4714-338 HOT WATER HOSE 3/8" I.D. (SOLD/FOOT)
- (D) 4714-038 3/8" I.D. H.P. HOSE (SOLD/FOOT)



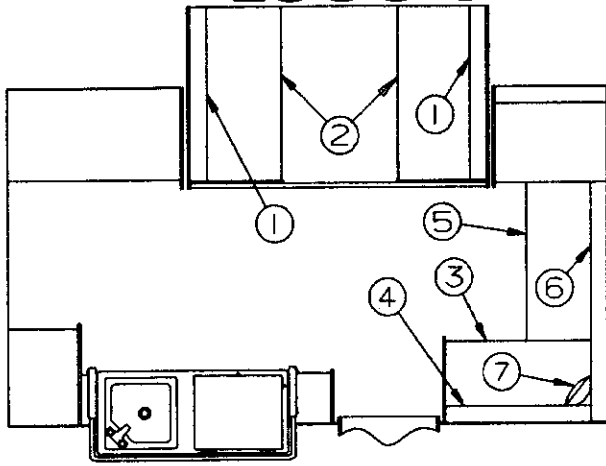
FLAT RATE

WATER SYSTEM & RELATED PARTS

* WARRANTED BY VENDOR

1.50	(1)	4755A1321	WATER TANK 3250,78,79	*	(2)	4750-3421	WATER HEATER (ALL)
1.50		4756-2731	WATER TANK 3280	.20	(3)	4716-2341	BARB,NUT & SEAL PACKAGE
1.50		4748A8341	WATER TANK 3282	.25	(4)	1218-1508	BARBED TEE
1.50		4753A4111	WATER TANK 3295	.25	(5)	4741-2351	SWIVEL ELBOW
.25	(2)	4741A2378	ELBOW	.50	(6)	4741C5571	ELECTRIC WATER PUMP
.50	(3)	4742A8631	WATER TANK GASKET	.25	(7)	4747A8311	WATER FILTER
	(4)	1201-865	TUBE CLAMP	.20	(8)	4741-9568	FEMALE ADAPTER
.20	(5)	4753-4771	WATER TANK HANGER 3250			1202-5828	RUBBER WASHER
.20		4756-5991	WATER TANK HANGER 3278	.30	(9)	4732F1521	CITY FILL
.20		4755-4031	WATER TANK HANGER x2 3279,80	1.00	(20)	4745D2741	MIXER FAUCET
.20		4756-3861	WATER TANK HANGER x2 3282	.30	(21)	4731D1711	WATER TANK FILL SPOUT
.20		4755-6581	WATER TANK HANGER 3295		(22)	4715-4501	ADJUSTABLE HOSE CLAMP
.15	(6)	1218-7001	PLUG	.30	(23)	4731H1081	WATER FILL HOSE 3' LENGTHS
.25	(7)	4741-2398	BARBED ELBOW	.20	(24)	4060050003F	1/2" H.P. HOSE (SOLD/FOOT)
.20	(8)	4741A2368	LINE DRAIN	.15	(25)	4732B4561	HOSE ADAPTER
.25	(9)	4741-2388	TEE	.30	(26)	4751-3861	DRAIN TEE
.25	(10)	4741-9068	SWIVEL ELBOW			4751-3871	TEE NUT
.50	(11)	4741B2071	SHOWER DIVERTER				

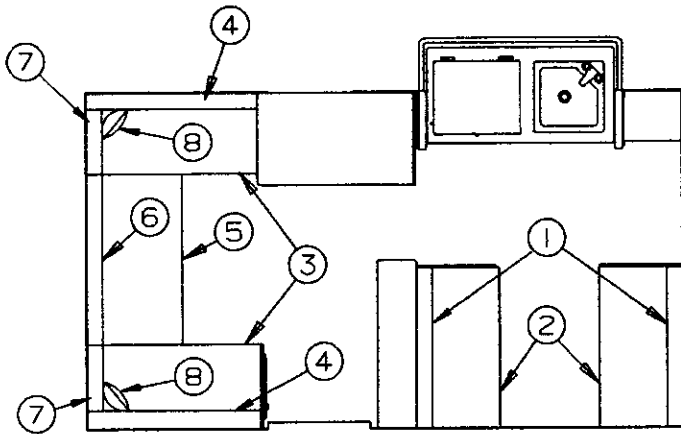
1998 GRAND TOUR SERIES



FLAT RATE

CUSHION & BACKREST - 3282 CASA GRANDE

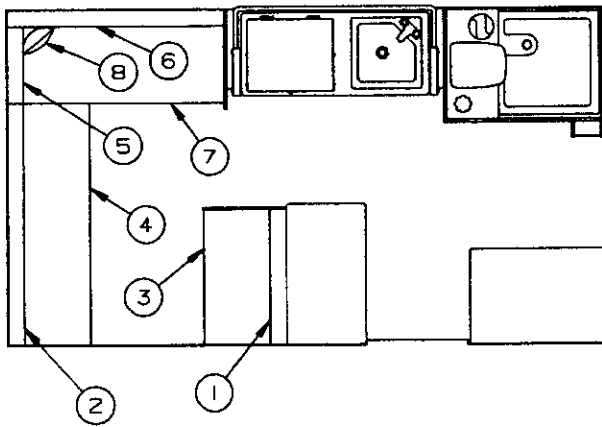
- | | | | |
|-----|---|-----------|---------------------|
| .10 | ① | 4756-5541 | BACKREST ASSY. 3282 |
| .25 | | 4716-5541 | BACKREST COVER 3282 |
| .10 | ② | 4756-5581 | CUSHION ASSY. 3282 |
| .25 | | 4715-5581 | CUSHION COVER 3282 |
| .10 | ③ | 4757A5911 | CUSHION ASSY. 3282 |
| .25 | | 4714A5911 | CUSHION COVER 3282 |
| .10 | ④ | 4757A5931 | BACKREST ASSY. 3282 |
| .25 | | 4716A5931 | BACKREST COVER 3282 |
| .10 | ⑤ | 4757A5901 | CUSHION ASSY. 3282 |
| .25 | | 4714A5901 | CUSHION COVER 3282 |
| .10 | ⑥ | 4757A5921 | BACKREST ASSY. 3282 |
| .25 | | 4716A5921 | BACKREST COVER 3282 |
| .10 | ⑦ | 4755-2871 | THROW PILLOW |



FLAT RATE

CUSHION & BACKREST - 3250 SUNRIDGE

- | | | | |
|-----|---|-----------|---------------------|
| .10 | ① | 4755A6321 | BACKREST ASSY. 3250 |
| .25 | | 4716A6321 | BACKREST COVER 3250 |
| .10 | ② | 4756-5631 | CUSHION ASSY. 3250 |
| .25 | | 4715-5631 | CUSHION COVER 3250 |
| .10 | ③ | 4755B6341 | CUSHION ASSY. 3250 |
| .25 | | 4716B6341 | CUSHION COVER 3250 |
| .10 | ④ | 4755A6311 | BACKREST ASSY. 3250 |
| .25 | | 4716A6311 | BACKREST COVER 3250 |
| .10 | ⑤ | 4753B6041 | CUSHION ASSY. 3250 |
| .25 | | 4716B6041 | CUSHION COVER 3250 |
| .10 | ⑥ | 4753A6081 | BACKREST ASSY. 3250 |
| .25 | | 4716A6081 | BACKREST COVER 3250 |
| .10 | ⑦ | 4753A6091 | BACKREST ASSY. 3250 |
| .25 | | 4716A6091 | BACKREST COVER 3250 |
| .10 | ⑧ | 4755-2871 | THROW PILLOW |

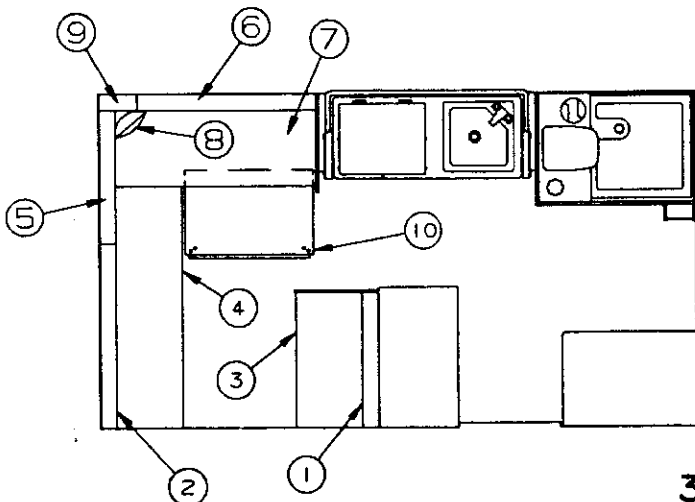


- * USED ON TRAILERS PRIOR TO S/N - 21146
- ** USED ON TRAILERS STARTING W/ S/N - 21146 THEREAFTER

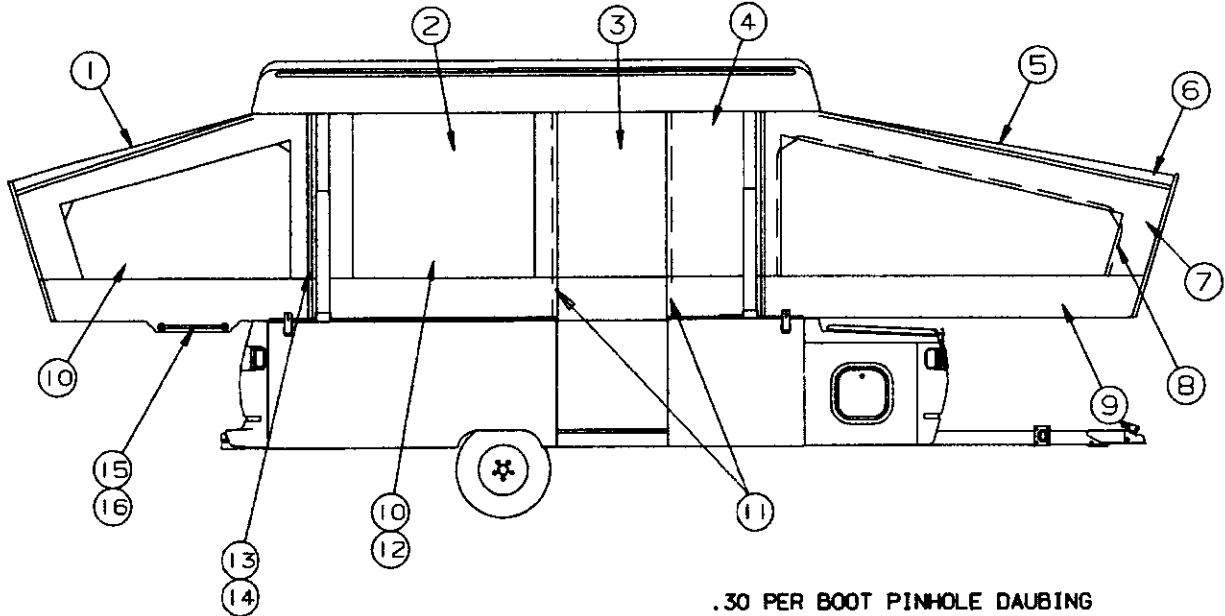
FLAT RATE

CUSHION & BACKREST - 3295 NIAGARA

- | | | | |
|-----|---|--------------|---------------------------|
| .10 | ① | 4755-3731 | BACKREST ASSY. 3295 |
| .25 | | 4716-3731 | BACKREST COVER 3295 |
| .10 | ② | * 4755-3691 | BACKREST ASSY. 3295 |
| .25 | | * 4716-3691 | BACKREST COVER 3295 |
| .10 | | ** 4755B3691 | BACKREST W/WOOD BACK 3295 |
| .25 | | ** 4716B3691 | BACKREST COVER 3295 |
| .10 | ③ | 4755-3661 | CUSHION ASSY. 3295 |
| .25 | | 4716-3661 | CUSHION COVER 3295 |
| .10 | ④ | 4755-3671 | CUSHION ASSY. 3295 |
| .25 | | 4716-3671 | CUSHION COVER 3295 |
| .10 | ⑤ | * 4755-3721 | BACKREST ASSY. 3295 |
| .25 | | * 4716-3721 | BACKREST COVER 3295 |
| .10 | | ** 4755B3721 | BACKREST ASSY. 3295 |
| .25 | | ** 4716B3721 | BACKREST COVER 3295 |
| .10 | ⑥ | * 4755-3711 | BACKREST ASSY. 3295 |
| .25 | | * 4716-3711 | BACKREST COVER 3295 |
| .10 | | ** 4755B3711 | BACKREST ASSY. 3295 |
| .25 | | ** 4716B3711 | BACKREST COVER 3295 |
| .10 | ⑦ | 4755-3681 | CUSHION ASSY. 3295 |
| .25 | | 4716-3681 | CUSHION COVER 3295 |
| .10 | ⑧ | 4755-2871 | THROW PILLOW |
| .10 | ⑨ | ** 4755B3711 | BACKREST ASSY. 3295 |
| .25 | | ** 4716B3711 | BACKREST COVER 3295 |
| .10 | ⑩ | ** 4756-8021 | PULL-OUT PLATFORM W/ LEGS |
| .25 | | 4756-8011 | PLATFORM LEG x2 |



REPAIR PARTS/FLAT RATE



FLAT RATE

SUNBRELLA TENTING & COMPONENTS

.30 PER BOOT PINHOLE DAUBING
COPIES OF SUBLET BILLS FOR TENT REPAIRS
MUST BE ATTACHED TO WARRANTY CLAIMS

.40	①	4753B58691	REAR BOOT (ALL)	⑦	4716C0851	SUNBRELLA PATCH PKG. (12" x 14")		
.20	②	4755-64891	SM. WINDOW 3250 (RT.OF DOOR)	⑧	6650500130F	ZIPPER (SOLD/YARD)- AROUND WINDOW		
.20		4756-6761	SMALL WINDOW 3278		1225-4461	ZIPPER PULL M5		
.20		4756-6781	SMALL WINDOW 3279,80	⑨	8118001450	BOTTOM VINYL FACING (SOLD/YARD)		
		4757-5871	SMALL WIN. W/TIPOUT 3282	⑩	4714E1611	SCREEN PKG. (84" x 3 YARDS)		
.20		4753A64691	SMALL WINDOW 3295		4714A0361	SCREEN PKG. (84" x 13 YARDS)		
.20	③	4755-64791	LARGE WINDOW W/TIPOUT 3250	⑪	435000009P	1" VELCRO LOOP (10' PC. PACKAGED)		
.40		4756-6751	LARGE WIN. GLIDEOUT 3278,79,80	⑫	4716-2401	CLEAR WINDOW VINYL (41" x 2 YARDS)		
.40		4757-5861	LARGE WIN. GLIDEOUT 3282	⑬	1225G3768	ZIPPER PIN HALF 45 1/2"		
.20		4755-67391	LARGE WINDOW 3295	⑭	1225G3758	ZIPPER SLIDER HALF 45 1/2"		
.15	④	4755-64991	DOOR SEAL 3250 (LT.OF DOOR)	.50	⑮	4060000045F	1/4" SHOCK CORD (SOLD/FOOT)	
.15		4756-6771	DOOR SEAL 3278	.50		4714B6021	SHOCK CORD & CRIMPS M2 (14'LENGTHS)	
.15		4756-6791	DOOR SEAL 3279,80	⑯	4724-2011	SHOCK CORD CRIMPS M10		
.15		4756-8001	DOOR SEAL 3282	⑰	4060000024F	ARROWHEAD SEAL (SOLD/FOOT)		
.15		4753A59391	DOOR SEAL 3295	.30	⑱	4735B6721	EXTENSION HARNESS	
.40	⑤	4753B58691	FRONT BOOT (ALL)	.50		⑲	4743-1588	K-KOTE SEAM SEALER
	⑥	8119901429	TOP VINYL (SOLD/YARD)			⑳	4728-5641	TENT RETAINER PKG.

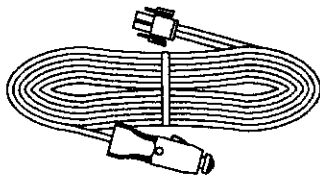
CUSHION & BACKREST ASSEMBLIES

MODEL	CUSHION ASSEMBLY	F.R. 10	CUSHION COVER	F.R. 25	BACKREST ASSEMBLY	F.R. 10	BACKREST COVER	F.R. 10
3278, 79, 80	4756-5581		4716-5581		4756-5541		4716-5541	
3278 BAYSIDE	* 4756-5591		4716-5591		4756-5551		4716-5551	

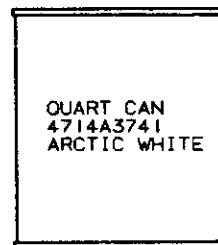
4753B5521 GAUCHO CUSHION LEG x2 3278 BAYSIDE
* CURBSIDE GAUCHO CUSHION/BACKREST 3278 BAYSIDE

PLASTIC CUSHION BUTTON (4710-2681 M5)

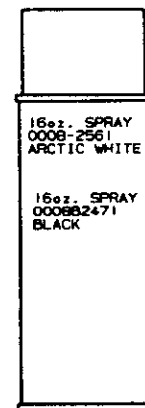
4733C6701
AUTO EXTENSION



4716-4701 M2
12 VOLT
CAP & PLUG PKG.

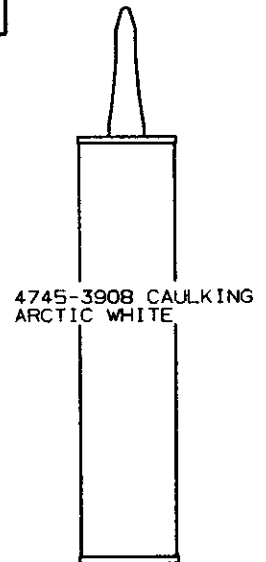


QUART CAN
4714A3741
ARCTIC WHITE



16oz. SPRAY
0008-2561
ARCTIC WHITE

16oz. SPRAY
0008B2471
BLACK



4745-3908 CAULKING
ARCTIC WHITE

1998 GRAND TOUR SERIES

DRAPE PKG.

NOTE: VALANCE NOT INCLUDED IN DRAPE PKG.

MODEL	DRAPE PKG.	
.30 3250	4753C6131	BURGANDY
.30 3278, 79, 80	4755-2981	BURGANDY
.30 3282	4757-5941	BURGANDY
.30 3295	4753C6451	BURGANDY

DRAPE COMPONENTS

4750-2891 DRAPE TAB C-SHAPE M60

.05

VALANCE PACKAGE

MODEL	VALANCE PKG.	
.25 3250, 78, 79, 80, 82	4755-2821	BURGANDY
.25 3295	4755-2811	BURGANDY

SHOWER CURTAIN-WHITE VINYL

.20	4749A6661	SHOWER CURTAIN 3280, 95
.20	4748-8161	SHOWER CURTAIN CLIPS M10

SINGLE DRAPE PANEL W/SAFETY STRAPS

MODEL	SINGLE DRAPE PKG.	
.15 3250	4716-9151	15"x45" BURGANDY
.15 3250, 95	4716-9121	48"x45" BURGANDY
.15 3250, 78, 79, 80, 82, 95	4716-9131	43"x45" BURGANDY
.15 3278, 79, 82	4716-9141	24"x45" BURGANDY
.15 3295	4716-9111	53"x45" BURGANDY

DRAPE TIE PACKAGE (QTY. 1)

MODEL	TIE PKG.
.05 3250, 78, 79, 80, 82, 95	4753B9811

DRESSING ROOM CURTAIN PACKAGE

MODEL	CURTAIN PKG.
.20 3295	4723T6781
.20 3280	4756-6331

NOTE: TOP ASSY. DISPOSAL 1.0 OR COPY OF DISPOSAL BILL
1.50 R&R A/C - 1.00 R&R DOUBLE CROSS BARS

FLAT RATE TOP ASSEMBLIES & RELATED PARTS

3.00	4755-6571	TOP ASSEMBLY 3250 SUNRIDGE
3.00	4756-6001	TOP ASSEMBLY 3278 BAYSIDE
3.00	4756-6981	TOP ASSEMBLY 3279 GRANDVIEW
3.00	4756-6271	TOP ASSEMBLY 3280 GRANDVIEW SP
3.00	4757-5851	TOP ASSEMBLY 3282 CASA GRANDE
3.00	4753B6601	TOP ASSEMBLY 3295 NIAGARA

FLAT RATE

.15 ①	4750A9581	TOP STRIKE x4 M2	.25 ⑮	4753A5961	LIFT POCKET ASSEMBLY x4	
	4744C2461	TORX SCREW M2 (x2 PER STRIKE)		4745-3968	SCREW (x4 PER LIFT POCKET)	
	1201B6958	KEPS NUT (x2 PER STRIKE)	.10 ⑯	4723A8071	2" x 2" VELCRO HOOK PATCH M4	
	1202E0408	WASHER (x2 PER STRIKE)	.10 ⑰	4724D0991	3/4" VELCRO STRIP M4	
	4739A4191	VINYL CAP M6 (x2 PER STRIKE)	.50 ⑱	4753B1161	SIDE TENT TRACK (MUST CUT TO SIZE)	
.50 ②	4753-1211	CANOPY TRACK 137 1/2" (MUST CUT TO SIZE)	.50 ⑲	4753B1201	TENT TRACK FRONT & REAR	
.15 ③	4741G11381	TENT SUPPORT BRKT. (x2 PER TOP)	2.00 ⑳	4716-2221	TOP SEAL M41	
	④	4734C1861		4756-2751	TOP SEAL GLUE KIT	
.15 ⑤	4744C4741	DOUBLE DOME LIGHT		①	4716-2171	ABS TOP GLUE KIT
.10	4714H0891	DOME LIGHT LENS	.20 ⑳	4753-2201	WARDROBE HANGER	
	1203-8741	RIVET M25 (USED x4 PER LIGHT)		1203-8531	RIVET M25 (COUNTERSUNK HEAD)	
	4753-3351	PLASTIC SPACER M12 (USED x4 PER LIGHT)		⑳	4755-5241	CURTAIN SLIDE TAB x10 (3280, 95)
.15 ⑥	4715-6981	SCREEN DOOR RETAINING BRKT. PKG. FRT/RR	.15 ㉑	4755-5221	SHOWER ROD STRAP x2 (3280, 95)	
	4060075008F	3/4" x 1" FOAM TAPE (SOLD/FOOT)		4739-2918	SCREW CAP WASHER M10	
.10 ⑦	4755-5231	SHOWER CURTAIN ROD (3280, 95)		4739E2908	SCREW CAP M10	
.20 ⑧	4749C5571	SCREEN DOOR STORAGE BRACKET		4747-2558	EXPANSION RIVET M25	
	4734C1861	RIVET M25 (HOLD BRKT. TO TOP)	.20 ㉒	4750-1761	SHOWER HEAD BRKT. (3280, 95)	
	4749-2138	SNAP BUTTON M2	.15 ㉓	4755-5211	SHOWER ROD STRAP x2 (3280, 95)	
	1203-8631	RIVET x1 M25 (HOLD SNAP BUTTON TO BRKT.)	.15 ㉔	4720D4021	LASHING HOOK M6	
.15 ⑨	4734E5211	SCREEN DOOR CABLE M2		4741D96568	EXPANSION RIVET M25 ARCTIC WHITE	
.50 ⑩	4753-1221	SCREEN DOOR TRACK x2	.15 ㉕	4733A4511	STEEL LOOP M2 (3280, 95)	
	NOTE: TRACK USED x3 ON 3195			1203-8978	COUNTERSUNK RIVET M25	
.15 ⑪	4723B5061	SCREEN DOOR STRAP x2		㉖	4741D96568	EXPANSION RIVET M25 ARCTIC WHITE
	NOTE: REFER TO CODE #24 FOR MOUNTING HARDWARE			4753-3351	PLASTIC SPACER M12	
	⑫	1226D1381	STUD W/RIVET M2	NOTE: USED ON BOTH ENDS OF TRACK		
	⑬	1203-9258	ACCORDION RIVET M25	⑳	4724F2631	VELCRO HOOK M6
	⑭	4753-3341	BLACK PUSH FASTENER ,M12			

REPAIR PARTS/FLAT RATE

