

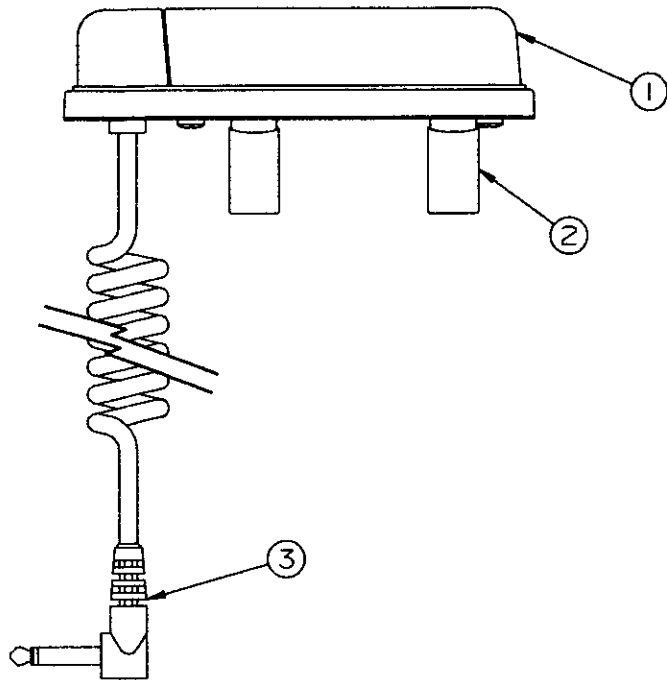
1998 ACCEPTSORY
BETTER PARTS

1998 ACCESSORY

TABLE OF CONTENTS

DESCRIPTION	PAGE NUMBER
Air conditioner kits	10
Battery mount kit	4
Canopy "Self-storing" component parts	5
Cross bar kits	6
Electric brake package & component parts	4
Furnace kits	3
Gas bottle cover (molded) Grand Tour	8
Hot water kit	3
Reading light kit	2
Screen room component parts	5
Spare tire cover (molded) Grand Tour	8
Step package 3270, 3275	2
Table (portable)	11
Wardrobe cabinet 3251, 3294, 3295	9
Wardrobe rack	2
Yakima accessories & component parts	
Frame mount bike carrier (4742-9001)	7
Boat mounting kit (4742-9021)	6
Cargo basket kit (4742-9031)	7
Axle - Dexter	219/295-1900
Cassette Potti - Thetford	800/521-3032
Converter - Magnetek	219/356-7101
Furnaces - Hydro Flame	800/873-4328
Hand Pump - Shurflo	800-762-8094
Mix Faucet - Kevco	219/262-2531
Range - Atwood Greenbrier	800/646-8557
Refrigerator - Norcold	800/543-1219
Tires - Duro	800/966-8473
Water Heater - Suburban	423/775-2131

1998 ACCESSORY

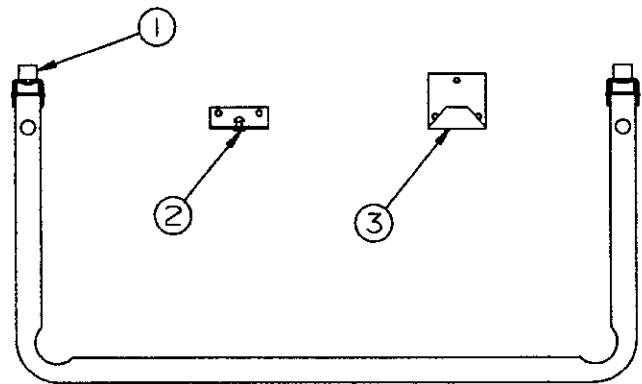


4749C6431 READING LIGHT & RELATED PARTS

- ① 4714H0891 LENS
- ② 4749-9641 GRIPPER CLIP M2
- ③ NOTE: THIS ITEM NOT SOLD SEPARATELY FROM LIGHT

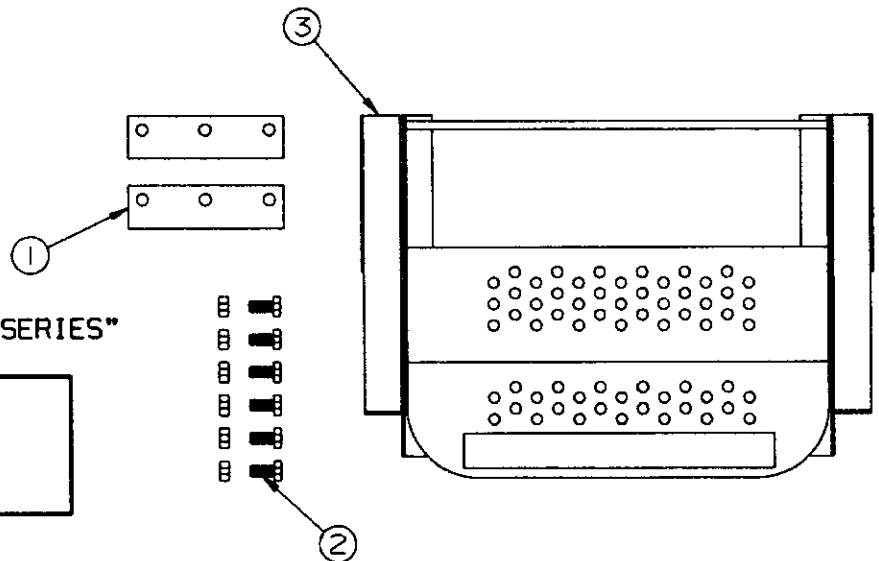
4747B5451 WARDROBE RACK - 3270,3275

- ① 4710-2681 STOP BUTTON M5
1203-8651 RIVET M25
- ② 4747A5461 WARDROBE BRKT. x2
4741C9368 SCREW x2 PER BRKT.
- ③ 4741C4451 CONVERSION BRKT. x2
4741C9368 SCREW x3 PER BRKT.



4747B6541 - STEP ASSY. "DESTINY SERIES"

- ① 4750-3361 STEP SHIM x2
- ② 1200B3048 BOLT x6
1201B6068 LOCK NUT x6
- ③ 4747B6541 STEP ASSEMBLY



REPAIR PARTS

4753B674I HOT WATER KIT COMPONENTS 3270,3275

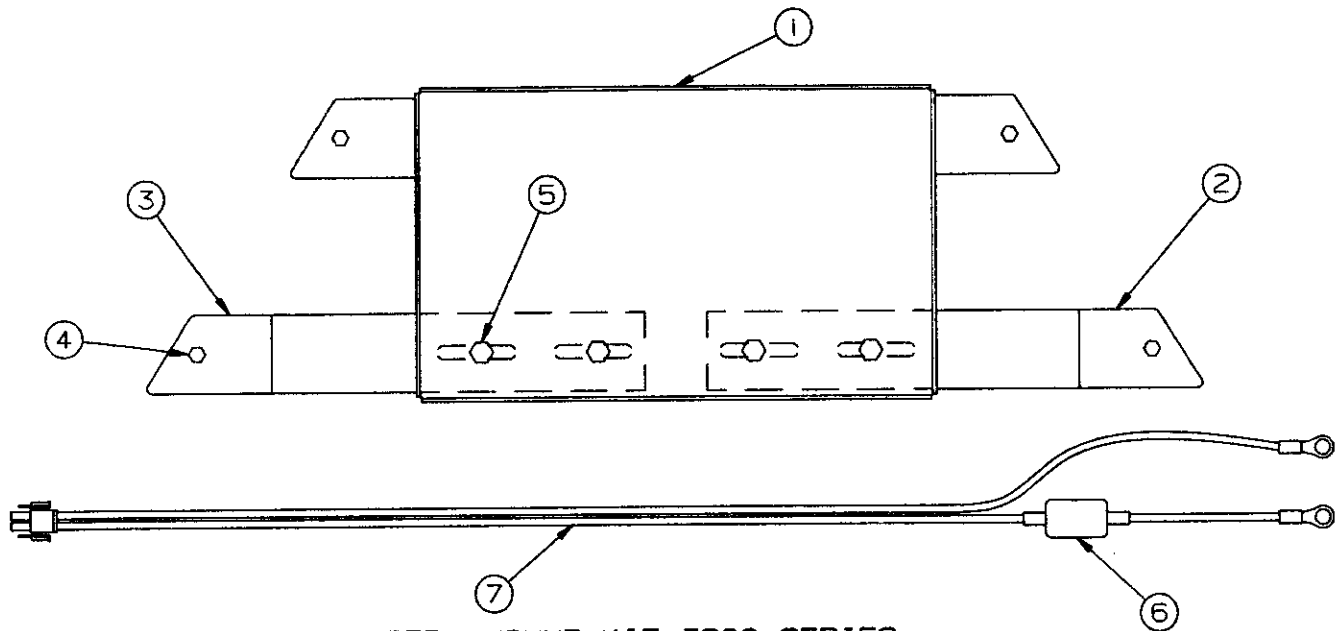
4716-081	SCREW x10 (1103E0608)	4739A5696	GAS LINE ASSY. x1
4716-063	SCREW x20 (1103E1008)	4741-2351	SWIVEL ELBOW x4
1103B1016	SCREW x3	4741-2378	ELBOW x1
1103B1028	SCREW x2	4741-2388	BARBED TEE x4
1103E1018	SCREW x11	4741-2398	BARBED ELBOW x6
1201-8738	CLAMP x14	4741A2368	DRAIN TEE x2
1201-8708	3/8" CLAMP x3	4741A925	WOOD BLOCK x1
1215-1778	FLARED TEE x1	4741C5571	ELECTRIC WATER PUMP
1215-5168	ELBOW x2	4746-3778	FUSE HOLDER x1
4350000022F	1/2"x1/4" FOAM TAPE 8'	4747-2558	EXPANSION RIVET M25
4350001733F	TRIM TAPE x2' "1997"	4747A8311	IN-LINE FILTER x1
4350001899F	TRIM TAPE x2' "1998"	4750-3421	WATER HEATER x1
4714-038	3/8" HP HOSE x28'	4750-922	ELBOW x2
4714-338	3/8" HOSE 25'	4752-4361	MIXER FAUCET x1
4716-061	TAPPING SCREW x2	4753-8711	FAUCET PLATE x1
4716-1331	WATER HEATER DOOR x1	4755-598	WATER PUMP SHELF
4716-2341	FAUCET NUT, BARB & SEAL PKG. x4	4733C4981	ROCKER SWITCH x1
4731-3058	HOSE CLAMP x38	4731H1081	WATER FILL HOSE x1
4734-2388	CONNECTOR x4	1218-1508	BARBED TEE x6
4737-8488	SCREW x12	4741D96568	EXPANSION RIVET M25 ARCTIC WHITE
4738-3088	SCREW x2		

NOTE: FOR REPLACEMENT FURNACE OR PARTS
PLEASE CALL: 800\873-4328 HYDRO FLAME

* NOTE: USED ONLY ON HTR/KIT B
** NOTE: USED ON HTR/KIT A & HTR/KIT B

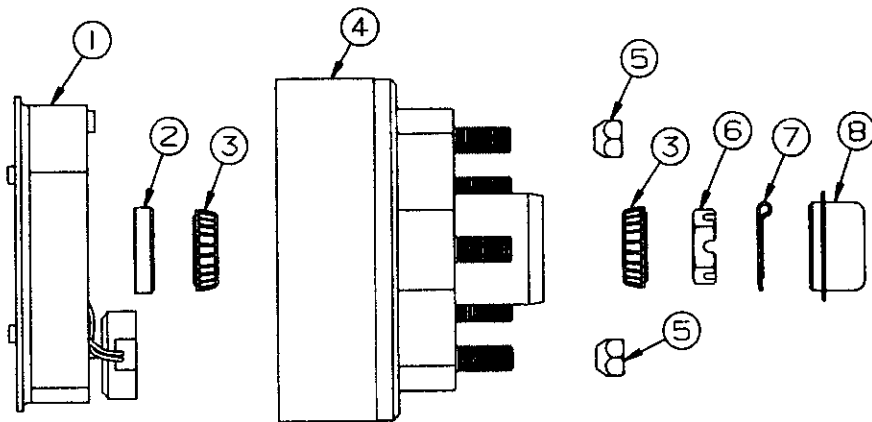
** 1103B0806	SCREW x6	* 4741B9471	VENT KIT
** 4716-063	SCREW x13 (1103E1008)	** 4744-050	1/2" TEK SCREW x2
* 1103B1032	SCREW x4	* 4746-178	ESCUTCHEON 3/8" OD x1
** 1201-8658	CLAMP x4	** 4747-8391	THERMOSTAT BRKT. & PLASTIC BASE
** 1201-8708	CLAMP x2	** 4749-678	GAS LINE ASSY. (SHORT)
** 1202B0268	WASHER x2	** 4749A617	HEATER BOX (WOOD)
** 1203-8641	RIVET x6 M25	** 4749B827	LOWER GALLEY DIVIDER x4
** 1203-8741	RIVET x4 M25	** 4750-6421	HEATER HARNESS (SPRONG)
** 1215-1778	3/8" FLARED TEE x1	** 4750-6431	THERMOSTAT HARNESS
** 1215-2418	3/8" FLARED NUT x4	** 4752-8131	VENT KIT
** 1215-5168	3/8" ELBOW x1	** 4752-8461	THERMOSTAT
** 1216-2088	YELLOW WIRE CONNECTOR x3	* 4753-557	GAS LINE 17 1/2"
** 4350000029	PUTTY TAPE 2.5' SOLD/FOOT	* 4753-626	GAS LINE 22 3/8"
** 4734-3898	1" SNAP BUSHING x1	* 4754-268	LOWER GALLEY DIVIDER LARGE
** 4739-0528	SCREW x4	* 4755-675	FURNANCE BOX
** 4739-1258	1/2" SPLIT BUSHING x1		
* 4741A925	2"x2" WOOD BLOCK x2		

1998 ACCESSORY



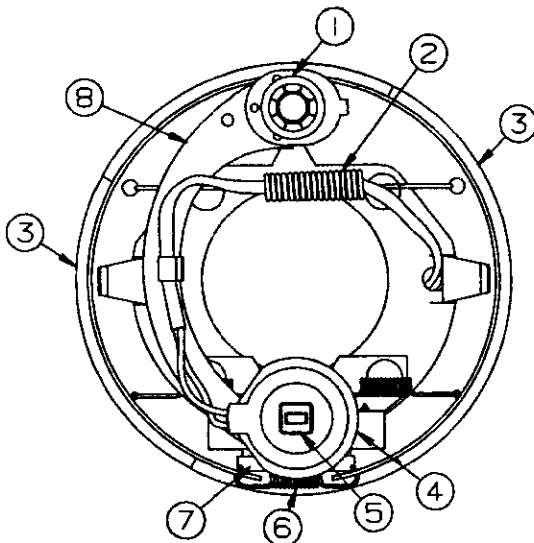
4753A6782 BATTERY MOUNT KIT 3200 SERIES

① 4755-666	BATTERY TRAY	⑤ 1200E1268	BOLT x4
② 4755-175	TRAY BRKT. "RIGHT"	1201E6038	LOCKNUT x4
③ 4755-176	TRAY BRKT. "LEFT"	⑥ 4751-4811	15 AMP CIRCUIT BREAKER
④ 4738A0898	BOLT x4	⑦ 4749A5531	WIRE HARNESS W/CIRCUIT BREAKER M2
		⑧ 4746-4338	CAUTION DECAL (NOT SHOWN)



ELECTRIC BRAKE PKG. - 4714H2011
7 1/2" BRAKES ONLY

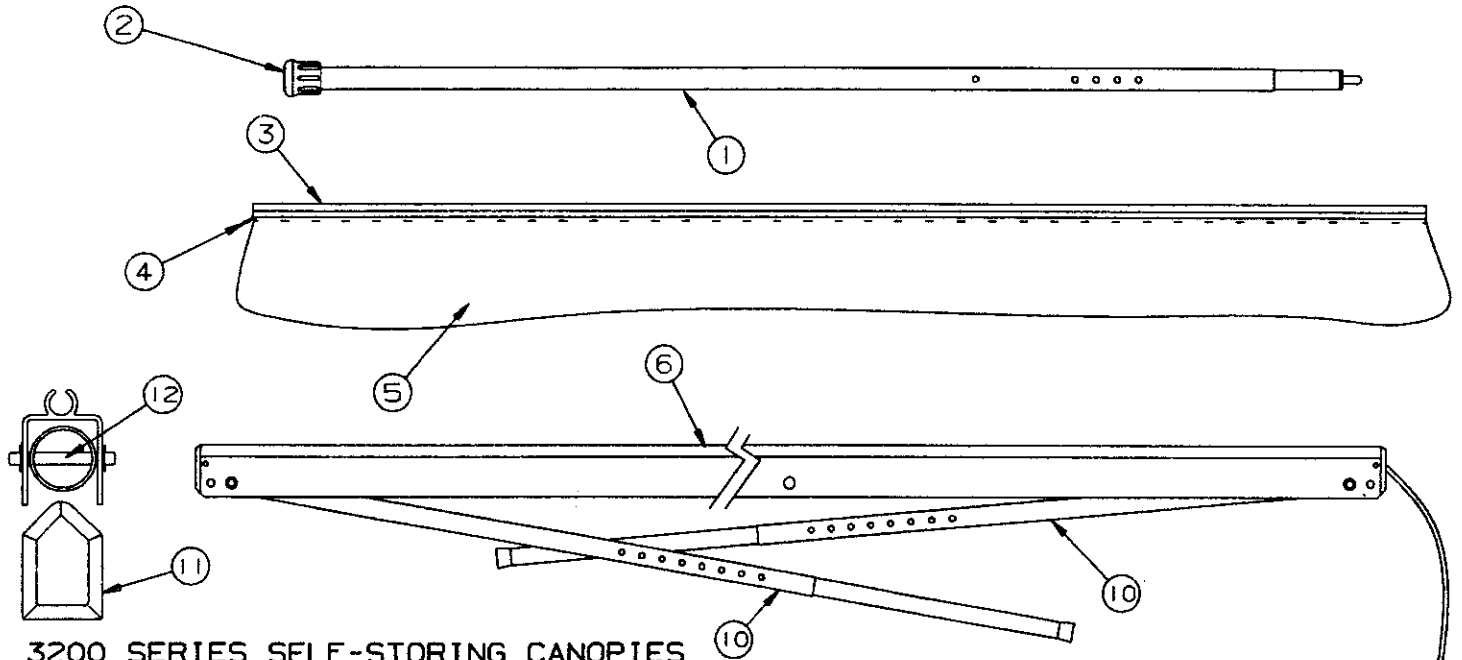
① 4733A3521	BRAKE ASSY. (RT.HAND)
4733A3531	BRAKE ASSY. (LT.HAND)
② 4714A2201	GREASE SEAL x2 M4
③ 4716-1101	BEARING & RACE PKG.
④ 4716A1071	HUB & DRUM ASSY. x2
⑤ 4747A9528	LUG NUT x10
⑥ 4714-3068	SPINDLE NUT x2
⑦ 1204-1268	COTTER PIN x2
⑧ 4714B0621	DUST CAP x2 M4



ELECTRIC BRAKE COMPONENTS
* FOR 4714H2011 BRAKE PKG. 7 1/2"
** FOR 4714J2011 BRAKE PKG. 10"

①	* 4714A2461	ANCHOR POST CLIP M2
②	* 4714A2411	RETRACTOR SPRING
③	* 4714B2071	7 1/2" BRAKE SHOES (SET)
	** 4716-2871	10" BRAKE SHOES (SET)
④	* 4714D2451	7 1/2" MAGNET, SPRING & CLIP PKG.
	** 4716-2881	10" MAGNET, SPRING & CLIP PKG.
⑤	* 4714B2471	RETAINER CLIP M2
⑥	* 4714A2101	ADJUSTING SCREW SPRING
⑦	* 4714A2041	ADJUSTING SCREW
⑧	* 4714A2841	RT. & LT. LEVER ARM PKG.
⑨	* 4714B2421	MAGNET HOUSING SPRING

REPAIR PARTS



3200 SERIES SELF-STORING CANOPIES

- F.R.
- . 10 4724E7571 CANOPY 8' 3275
 - . 10 4757-5161 CANOPY 8 1/2' 3270
 - . 10 4747E6561 CANOPY 10' 3288, 89, 96
 - . 10 4752A5941 CANOPY 12' 3294, 80, 95, 78, 79, 50, 51, 81, 82

SELF-STORING CANOPY COMPONENT PARTS

① 4723B5291	RAFTER POLE ASSEMBLY M3	⑦ 8460A1431	POLY ROPE 10 1/2' PC. PER PKG.
4734-6708	SPRING ASSEMBLY	⑧ 4724B3931	ROPE ADJUSTOR (WOOD) M2
8470-1728	BLACK POLE PIN M10	⑨ 4724-2558	12" HOOK STAKE (PLASTIC)
② 4751-8191	CRUTCH CAP M3	⑩ 4737F5971	POLE ASSEMBLY
③ 4064700489F	PVC VINYL SEAL (SOLD/FOOT)	8470-1748	RED CAP M2
④ 6650500130F	CHAIN ZIPPER (SOLD/YARD)	4734-6708	SPRING CLIP x2
1225-4461	ZIPPER PULL M5	⑪ 4737B4258	END CAP x2
⑤ 4714A3821	CANOPY BAG 8'	4737-3208	TEK SCREW x2
4714B2681	CANOPY BAG 8 1/2'	⑫ 4720A2361	ROD & PAL NUTS
4714A3831	CANOPY BAG 10'	120187071	PAL NUT M6
4714-8251	CANOPY BAG 12'		
⑥ 4749A2271	CANOPY SUPPORT 8'		
4754-8971	CANOPY SUPPORT 8 1/2'		
4747B9841	CANOPY SUPPORT 10'		
4752A8251	CANOPY SUPPORT 12'		

3200 SERIES SCREEN ROOMS

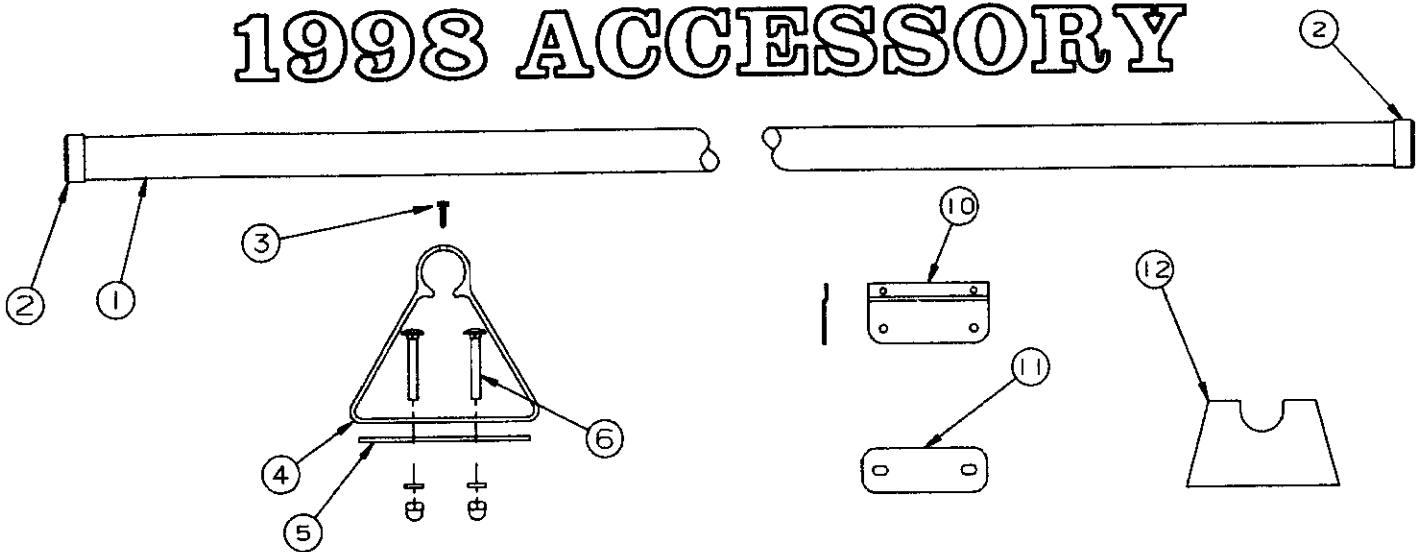
- 4747J6551 SCREEN ROOM 8'
- 4757-5171 SCREEN ROOM 8 1/2'
- 4750F2921 SCREEN ROOM 10'
- 4752D5921 SCREEN ROOM 12'

- 4716-2611 SCREEN RM. HARDWARE PKG. 10', 12' & 8 1/2' MODELS
- 4716-2621 SCREEN RM. HARDWARE PKG. 8 MODEL

SCREEN ROOM COMPONENT PARTS

① 4724A2558	10" HOOK STAKE (PLASTIC)	⑥ 4724-7941	SCREEN ROOM BAG
② 4720D4021	LASHING HOOK M6	4060000045F	1/4" HEAVY DUTY SHOCK CORD
③ 4733-4138	TEK SCREW	4724-2011	SHOCK CORD CLAMP M10
④ 4350000005F	VELCRO HOOK ADHESIVE BACK (SOLD/YARD)	1226-1228	*3 BRASS GROMMET W/TEETH
⑤ 4716-1961	ENTRANCE ZIPPER & PULL PACKAGE	⑦ 4753AB631	VELSTICK HOOK 1" x 16" BLACK
1225C4181	*9 ZIPPER PULL	⑧ 4716-4581	SC. RM. ADAPTER (QTY. 1)

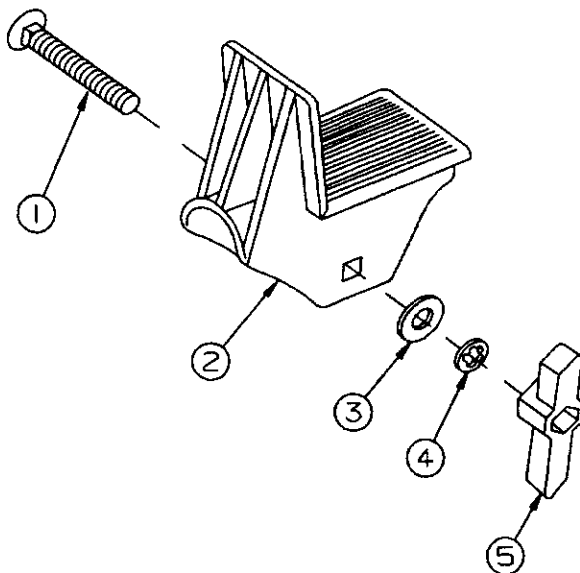
1998 ACCESSORY



4755A6691 DOUBLE CROSSBAR KIT (ALL ABS TOPS & 3270 REDWOOD)
 4742B9091 DOUBLE CROSSBAR KIT (3275 TAOS ONLY)

CROSSBAR KITS COMPONENT PARTS

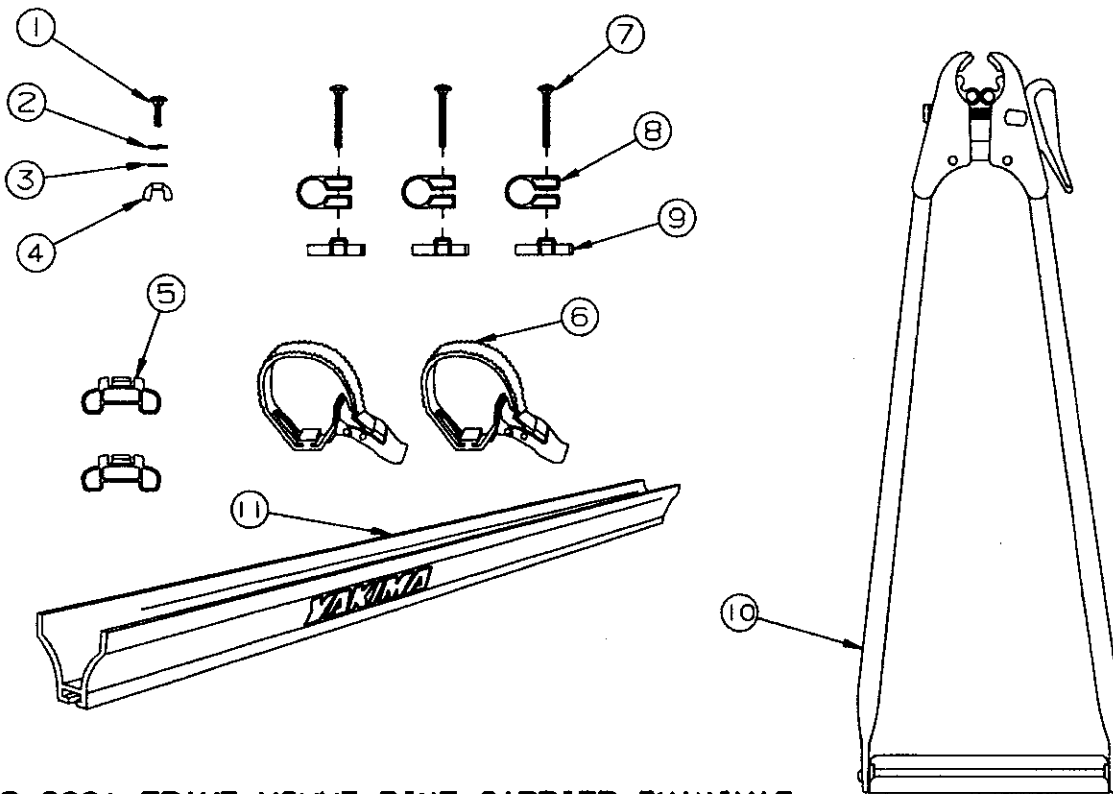
- | | | |
|---|-------------|--|
| ① | 4753-3701 | CROSSBAR x2 84" (ALL ABS TOPS & 3270) |
| | 4742-9111 | CROSSBAR x2 80" (3275 ONLY) |
| ② | 4743-3391 | CROSSBAR END CAP x2 "YAKIMA" |
| ③ | 4741A9101 | HEX HEAD TEK SCREW M10 |
| ④ | 4742B9151 | CROSSBAR RISER W/TEK SCREW x4 (3275) |
| | 4753A3681 | CROSSBAR RISER W/TEK SCREW x4 (ALL ABS TOPS) |
| ⑤ | 4350000059P | 2" TACKY TAPE (10' PC. PACKAGE) |
| ⑥ | 1200E2068 | 1/4"x1 1/2" CARRIAGE BOLT x8 (3270,75) |
| | 1200E2181 | 1/4"x2 1/4" CARRIAGE BLOT x8 M4 (ALL ABS TOPS) |
| ⑦ | 4755-2651 | ACORN NUT & LOCK WASHER M2 |
| ⑧ | 4742-9191 | OFFSET MOUNTING PLATE x4 (3270,75) |
| | 1203-8651 | RIVET M25 |
| ⑨ | 4753-3671 | MOUNTING PLATE x4 (ALL ABS TOPS) |
| ⑩ | 4753-3761 | CROSSBAR PAD x2 (ALL ABS TOPS & 3270) |



4742-9021 BOAT MOUNTING BRACKETS "YAKIMA"

- | | | |
|---|---|------------------------------|
| ① | 4716Y2271 | CARRIAGE BOLT 5/16" x 2 1/4" |
| ② | GUNWALE BRACKETS - NOT SOLD SEPARATELY
(MUST ORDER COMPLETE PACKAGE - 4742-9021) | |
| ③ | 4716Y2421 | FLAT WASHER 5/16" |
| ④ | 4716Y2411 | LOCK WASHER 5/16" |
| ⑤ | 4716Y2291 | HEX KEY 5/16" |

REPAIR PARTS

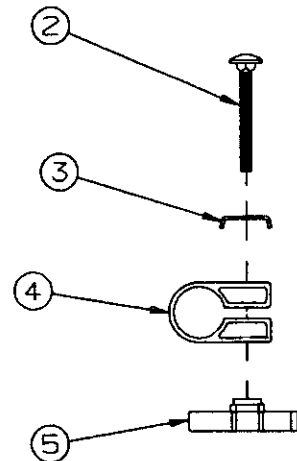


4742-9001 FRAME MOUNT BIKE CARRIER "YAKIMA"

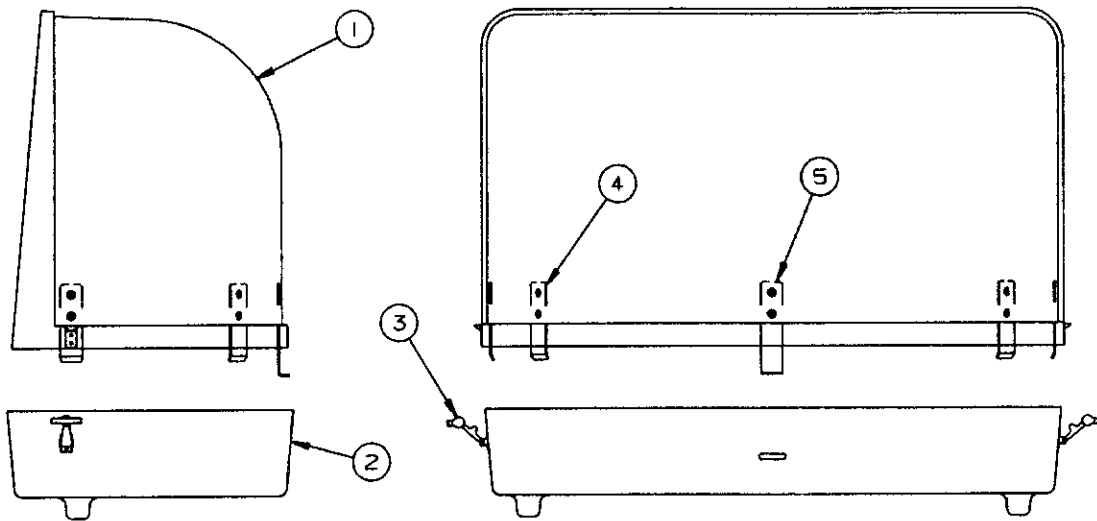
① 4716Y2251	CARRIAGE BOLT 5/16" x 1"	⑦ 4716Y2271	CARRIAGE BOLT 5/16" x 2 1/4"
② 4716Y2411	LOCK WASHER 5/16"	⑧ 4743-4281	SNAP AROUND M2
③ 4716Y2421	FLAT WASHER 5/16"	⑨ 4716Y2291	HEX KEY 5/16"
④ 4716Y2261	WING NUT 5/16"	⑩ 4716Y2441	HOOP AND BASE PLATE
⑤ 4716Y2321	RIM ADAPTER M2	⑪ 4716Y2431	52" WHEEL TRAY
⑥ 4716Y2311	WHEEL STRAP x2		

4742-9031 CARGO BASKET "YAKIMA"

①	CARGO BASKET - NOT SOLD SEPARATELY (MUST ORDER COMPLETE PACKAGE - 4742-9031)
②	4716Y2271 CARRIAGE BOLT 5/16" x 2 1/4"
③	4716Y2451 ANCOR CLIP
④	4743-4281 SNAP AROUND M2
⑤	4716Y2291 HEX KEY 5/16"



1998 ACCESSORY

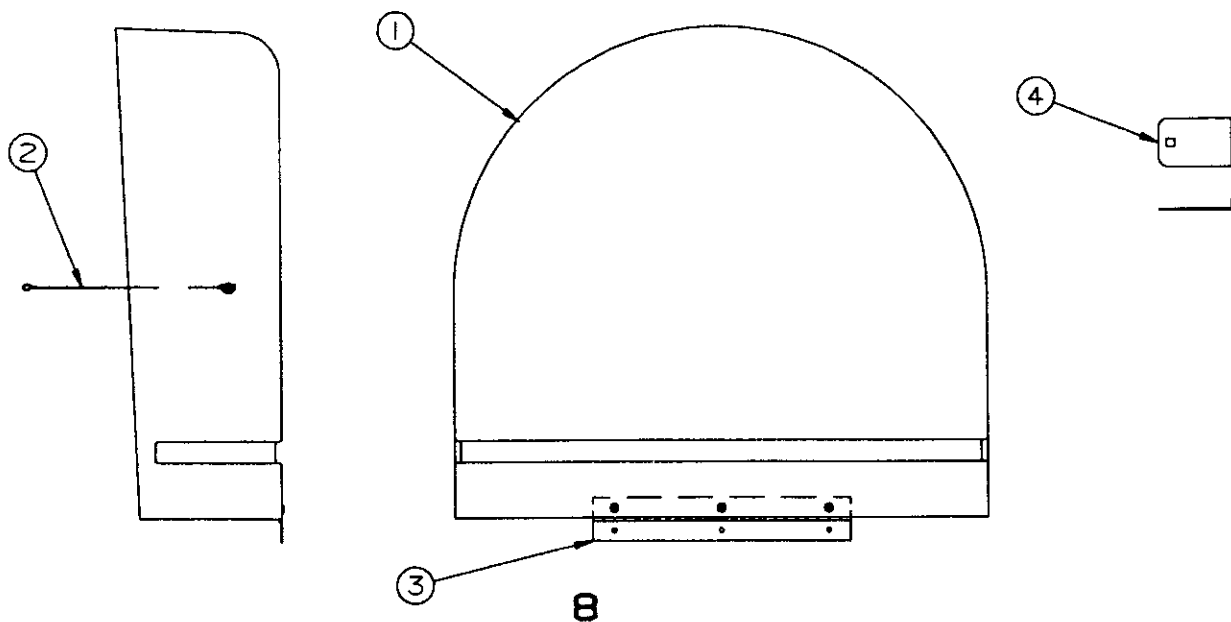


4749J1341 MOLDED GAS BOTTLE COVER "GRAND TOUR"

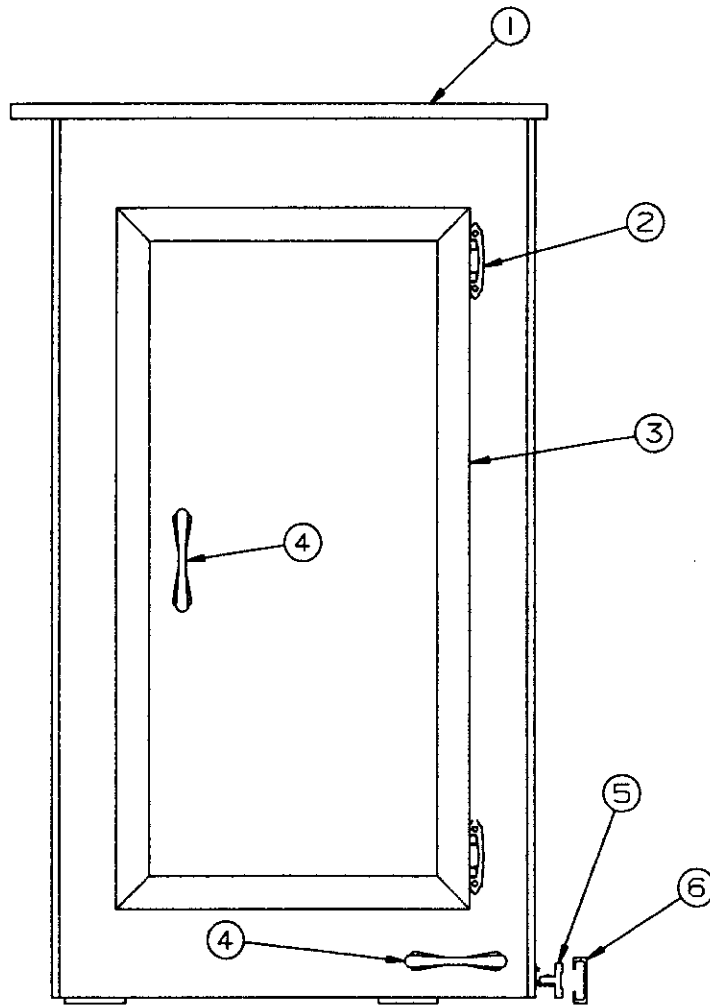
F.R.			
.40	①	4716J1341	GAS BOTTLE COVER
	②	4755-8081	GAS BOTTLE COVER PAN
		4747-2558	EXPANSION RIVET M25
	③	4755-8111	LATCH, STRIKE & RIVETS
	④	4755-8091	COVER KEEPER W/RIVETS
	⑤	4755-8101	COVER CATCH W/RIVETS

4753-6771 SPARE TIRE COVER "GRAND TOUR"
 4716-6771 HARDWARE PARTS PACKAGE
 NOTE: INCLUDE ITEMS MARKED W/ASTERISK *

F.R.						
.25	①	4753A3661	SPARE TIRE COVER	④	* 4753-3651	KEEPER BRACKET
	②	4753A8041	CABLE		* 4732-1181	GROMMET x1 M4
		1202E0408	WASHER x1		* 1121C1618	SCREW x1
		4741D96568	EXPANSION RIVET M25		* 4741B9658	EXPANSION RIVET x3 M25
	③	4753-8031	HINGE		* 1202B0268	WASHER x1
		4733D0601	RIVET M25			



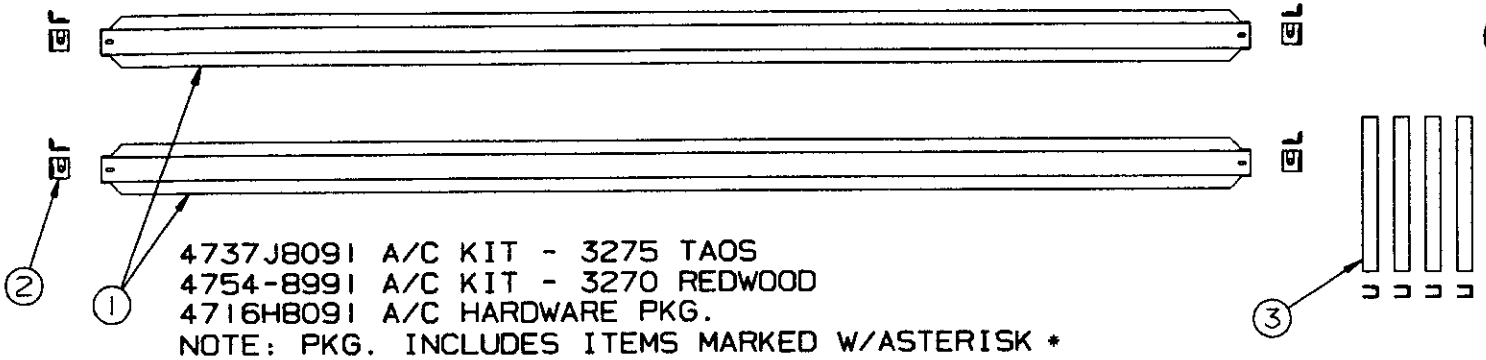
REPAIR PARTS



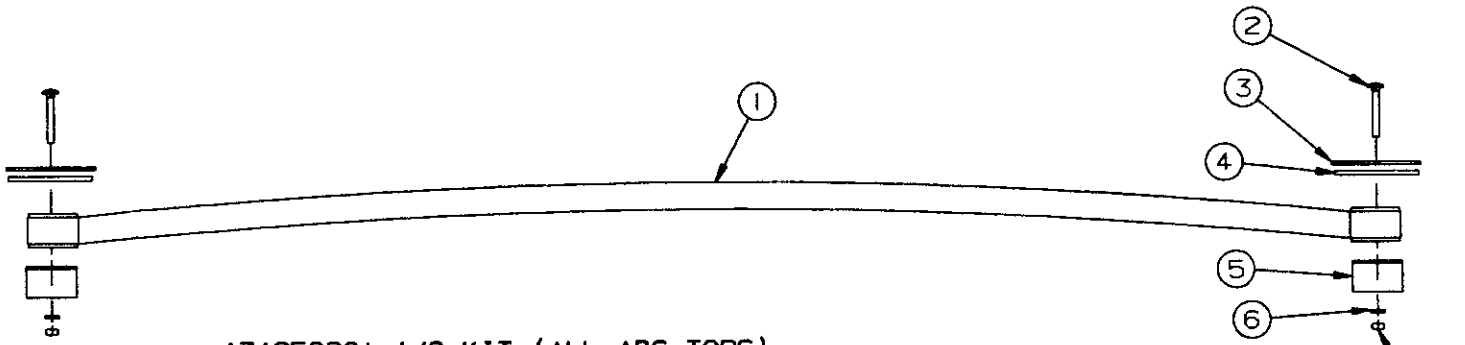
4757-5181 WARDROBE CABINET ASSY. 3251, 3294, 3295

F.R.		
.25	①	4756-1421 WARDROBE TOP 4060400089P T-MOLDING (14' PC. PKG.)
.10	②	4745C26188 HINGE (SPRING LOADED)
.15	③	4756-6701 DOOR PANEL
.35	④	4755-2681 DOOR PULL W/SCREWS
.35	⑤	4756-1941 WARDROBE SLIDE
	⑥	4756-2051 SLIDE CHANNEL

1998 ACCESSORY



①	4754-8981	ROOF BRACE x2 3270	④	4748-6591	POWER CORD (NOT SHOWN)
	4747A8901	ROOF BRACE x2 3275	*	4739-415	NYLON CLAMP x3
*	1212-012	GROMMET x1	*	4741C9368	SCREW x3
*	4744-311	GROMMET x4	*	1202B2698	WASHER x1
	4350000022F	FOAM TAPE (SOLD/FOOT)	*	4723-3378	VELCRO STRAP x1
②	* 4747A6951	MOUNTING BRACKET x4	*	4744A1301	SHEAR PIN x1 M10
*	4746B0538	MACHINE SCREW x4 - 1/4" x 1 1/2"	*	4741B9658	EXPANSION RIVET x9 M25
*	4747-2328	SEALING WASHER x4 (RUBBER)	*	4752-244	A/C DECAL
*	4749A1098	WASHER x4 "ARCTIC WHITE"	*	4752-245	TOP TRIM
*	4747A1118	BOLT x4 - 1/4" x 1"	*	4350000032P	1 3/4" PUTTY TAPE (5' PC. PKG.)
③	* 4749A2121	CHANNEL EXTRUSION x4 M4	*	4350000295F	DOUBLE STICK TAPE (SOLD/FT.)
			*	4350000058F	FOAM TAPE (SOLD/FT.)



4742F9291 A/C KIT (ALL ABS TOPS)

①	4757-5831	A/C BRACE KIT W/HARDWARE	⑦	1201B6378	LOCK NUT x4
	4754-930	END CAP "WHITE" x2	⑧	4748-6591	POWER CORD
②	1200E2181	CARRIAGE BOLT 1/4"x20x2 1/4" - M4		4739-415	NYLON CLAMP x4
③	4754-9261	TOP PLATE x2		4741A9101	TEK SCREW x3 M10
④	4350000059P	TACKY TAPE PKG. 10' PC.		1203C8751	RIVET x4 M25
⑤	4754-9251	HAT BRACKET x2		4723-3378	VELCRO STRAP x2
⑥	1202E0408	WASHER x4	⑨	4752-244	CAUTION DECAL

REPAIR PARTS

4753B6901 - PORTABLE TABLE COMPONENTS

- | | | |
|---|-------------|--------------------------|
| ① | 4754A6871 | TABLE LEG ASSY. |
| ② | 4720C3928 | END CAP x4 |
| ③ | 4754A4771 | TABLE TOP |
| ④ | 4060400089P | T-MOLDING (14' PC. PKG.) |
| ⑤ | 4749-9641 | GRIPPER CLIP M2 |
| | 4737-847B | SCREW x4 |

