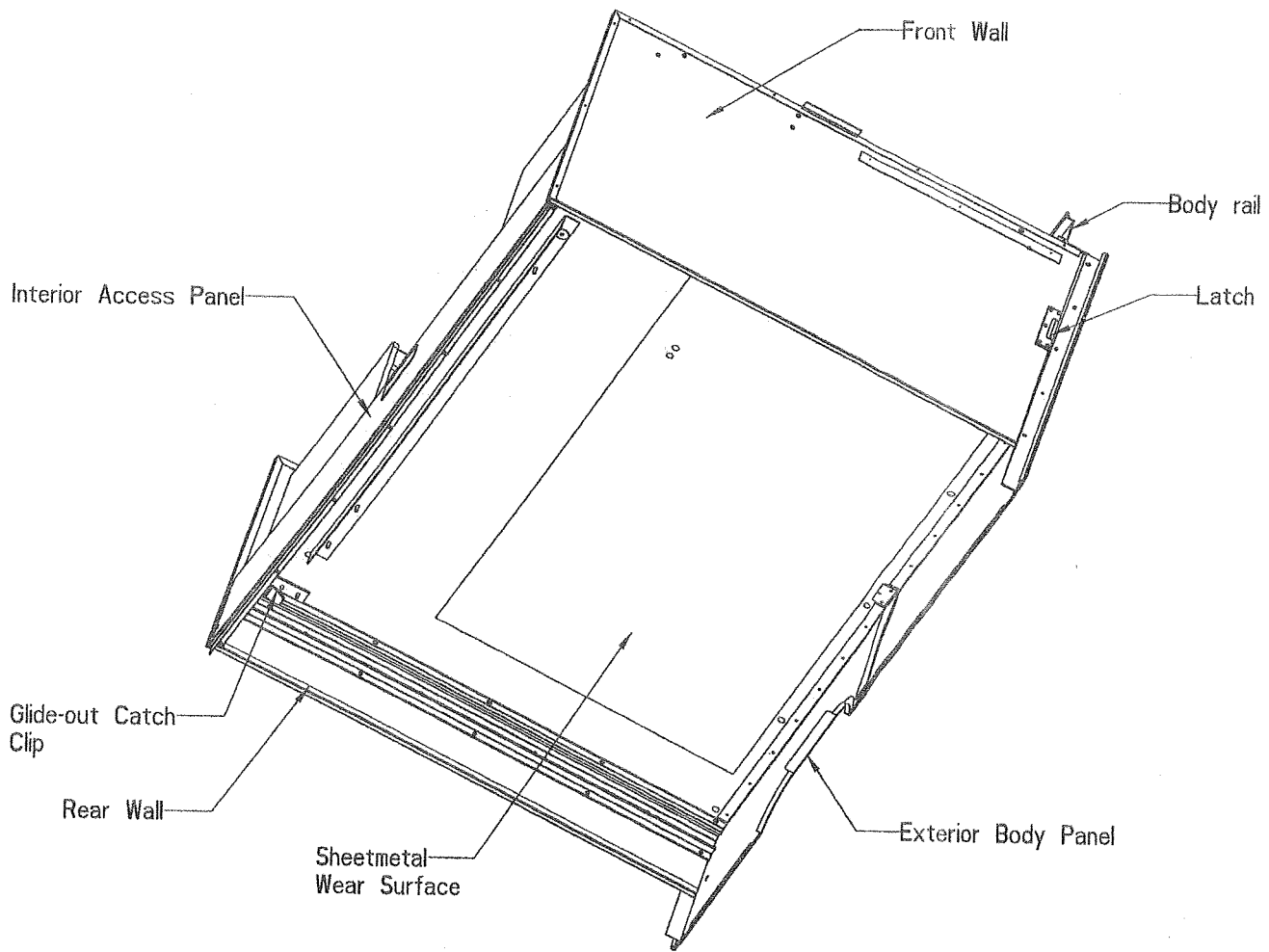
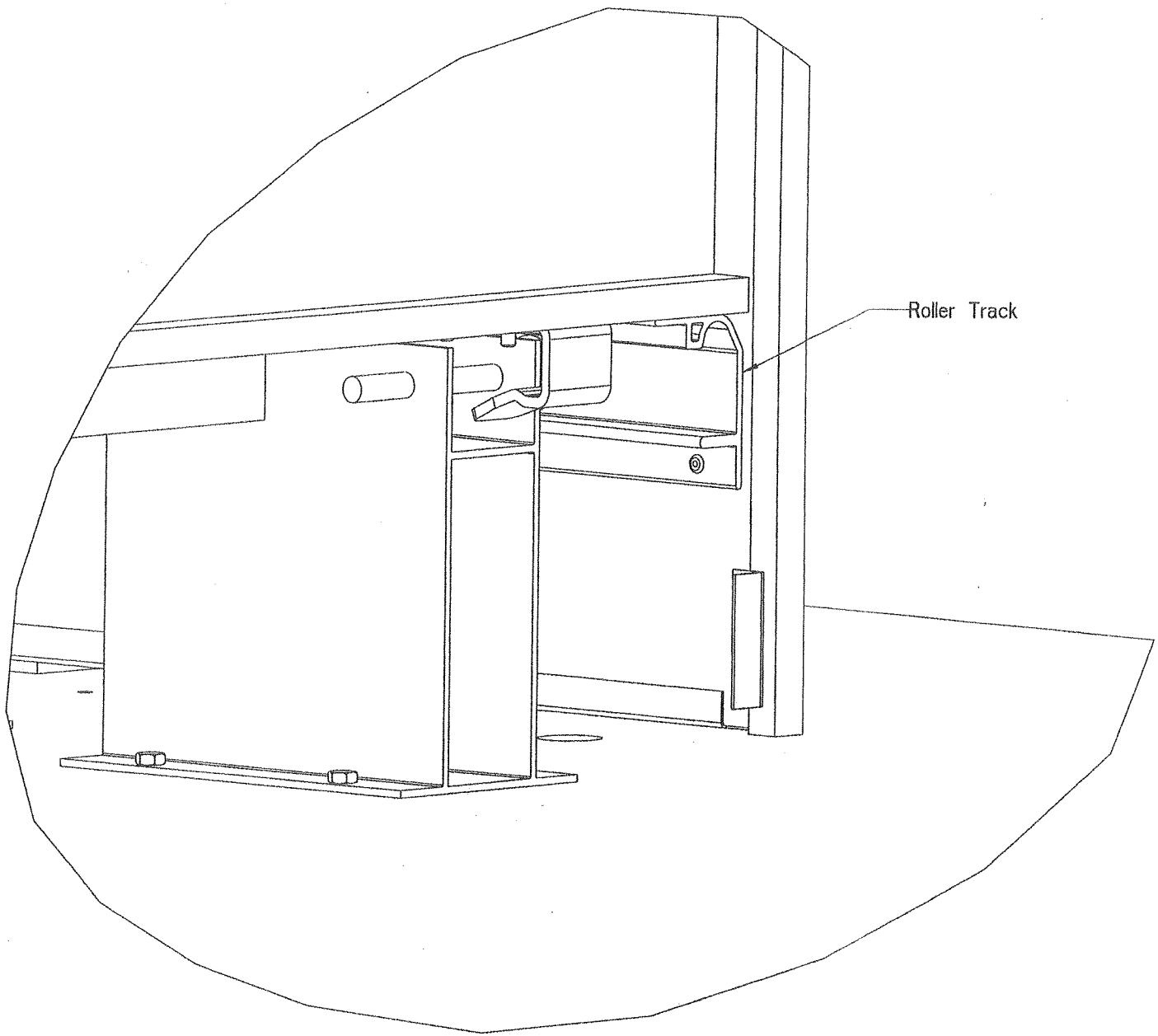


1998 TO PRESENT GLIDE-OUT CONFIGURATION

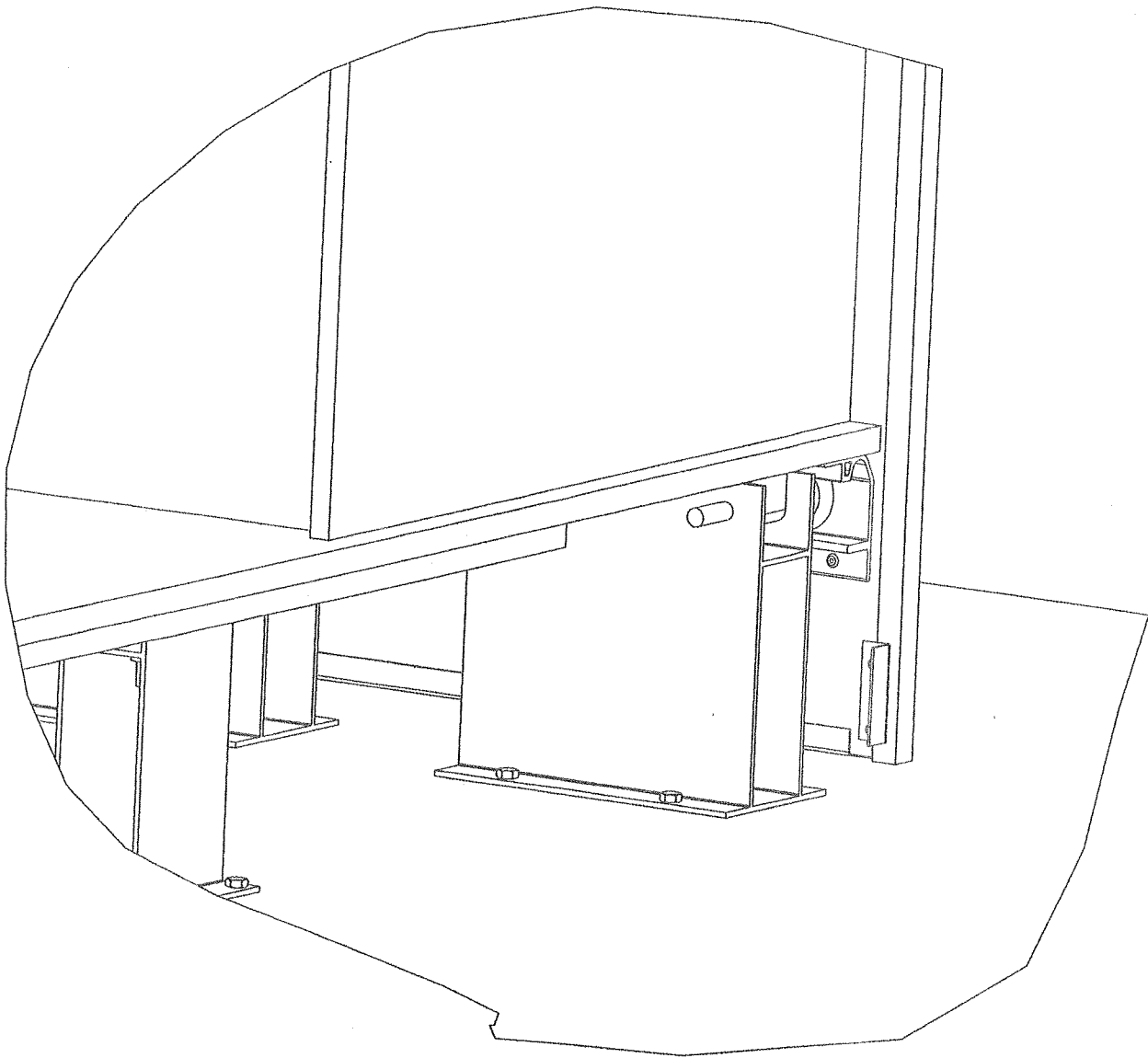


UNDERSIDE VIEW
OF GLIDE-OUT BOX

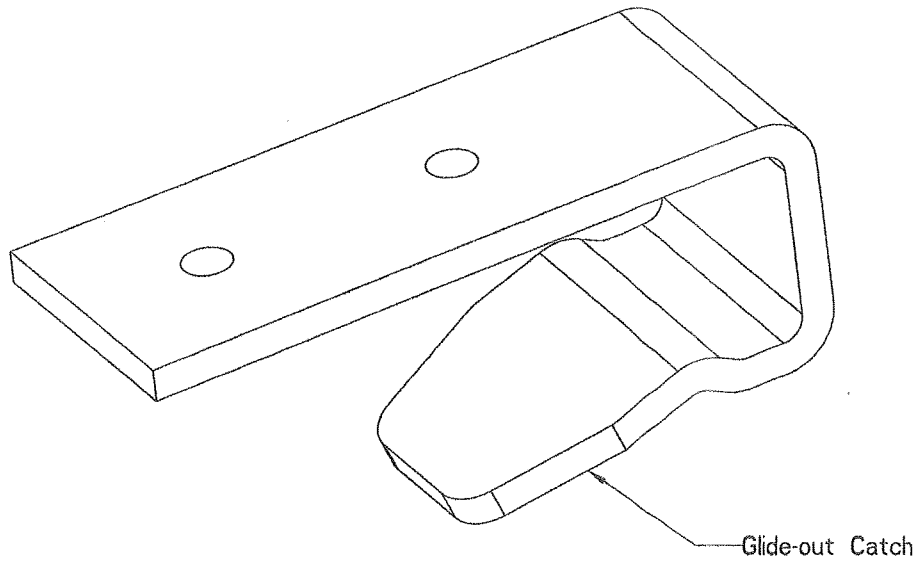


Roller Track

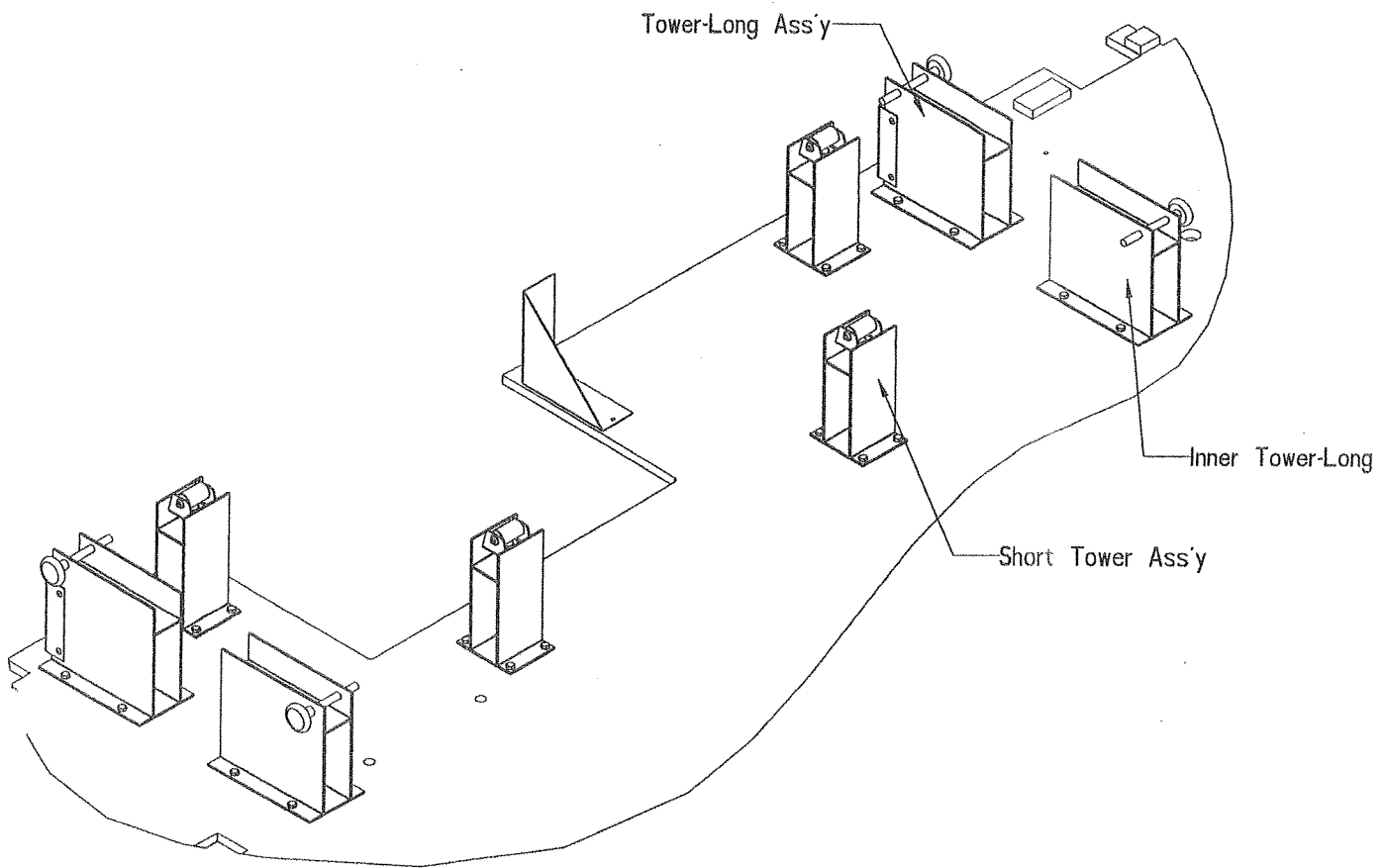
DETAIL OF GLIDE-OUT SHOWING
CLIP DISENGAGED FROM ROLLER



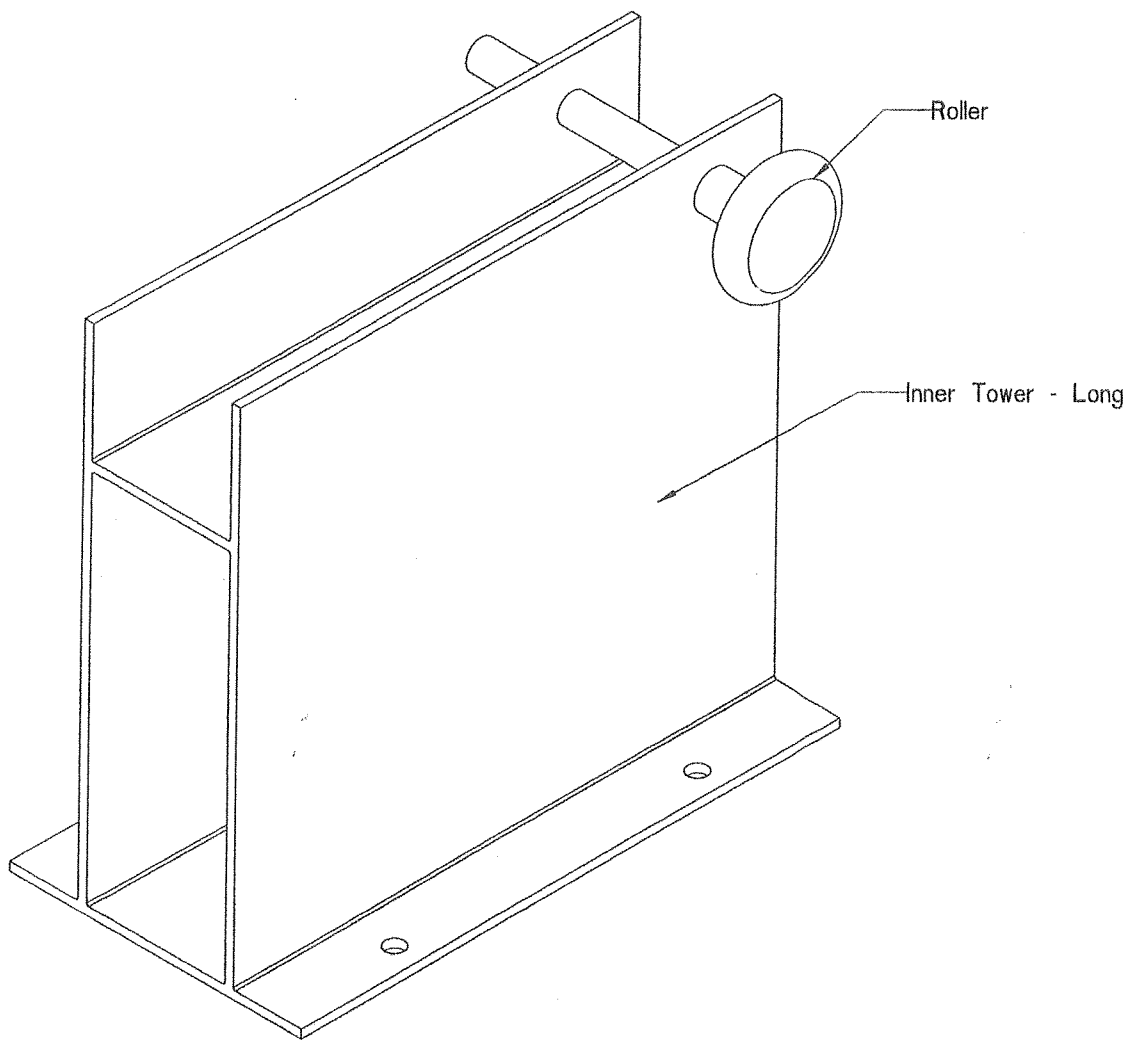
DETAIL OF GLIDE-OUT SHOWING
CLIP ENGAGED ONTO ROLLER



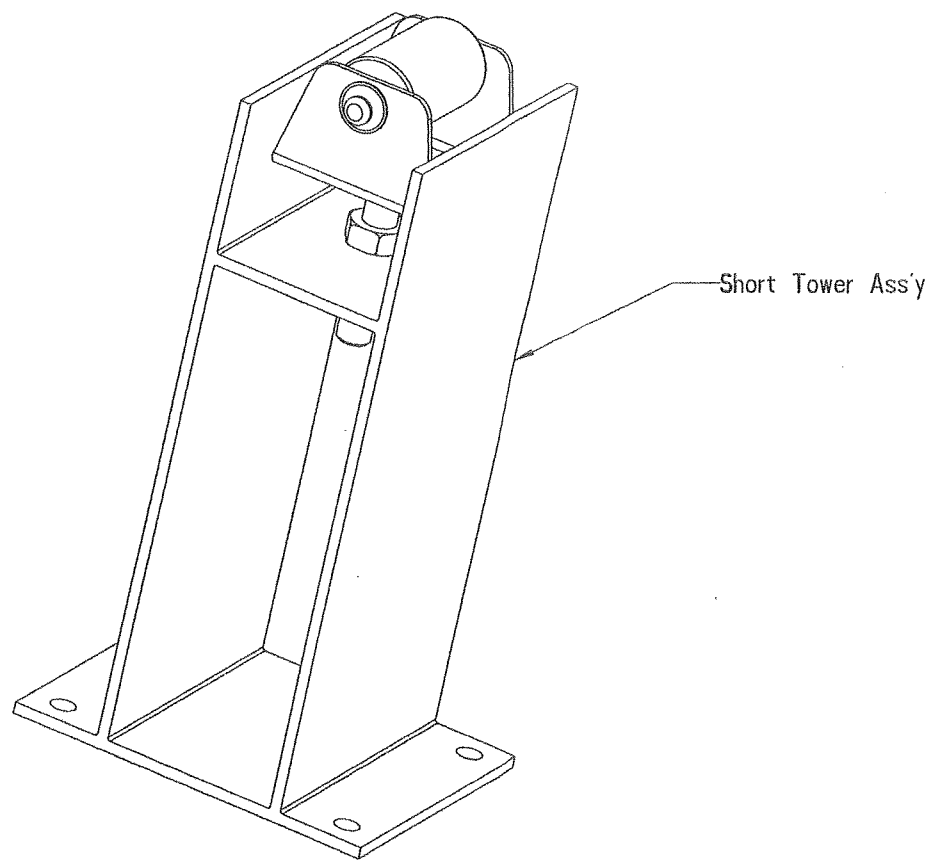
DETAIL OF CLIP



DETAIL SHOWING LOCATIONS OF
TOWERS ON TRAILER FLOOR



DETAIL OF TOWER



DETAIL OF FLOOR SUPPORT TOWER