

1997 GRAND TOUR
REPAIR PARTS

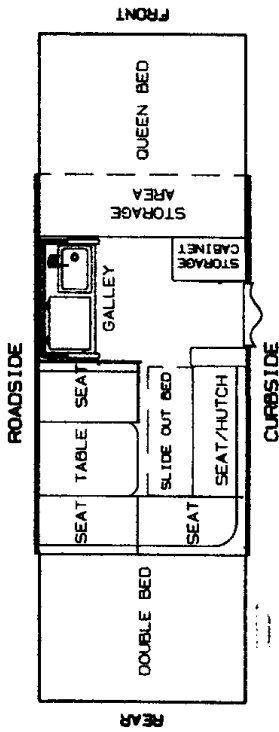
Series

and

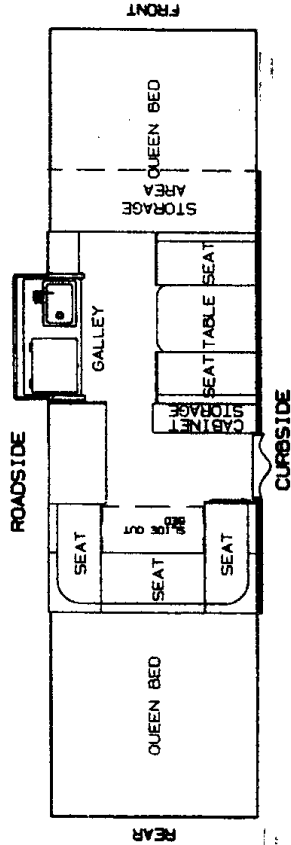
FLAT LABOR RATE SCHEDULE

- 3142 YUKON
- 3150 SUNRIDGE
- 3192 SUN VALLEY
- 3195 NIAGARA
- 3141 KEY WEST

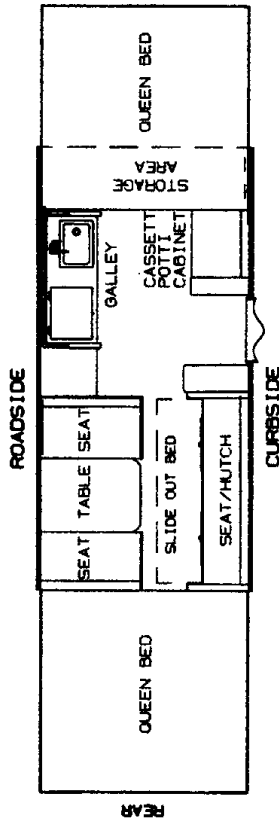
3142 YUKON



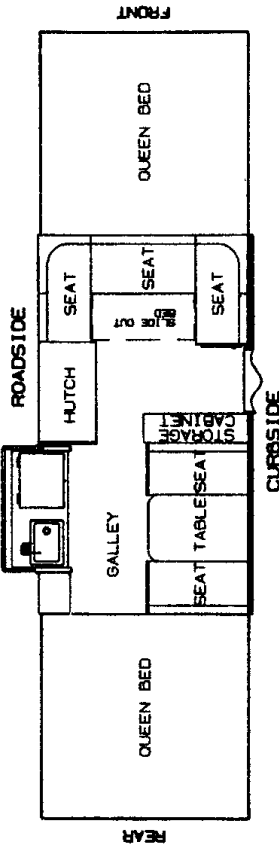
3150 SUNRIDGE



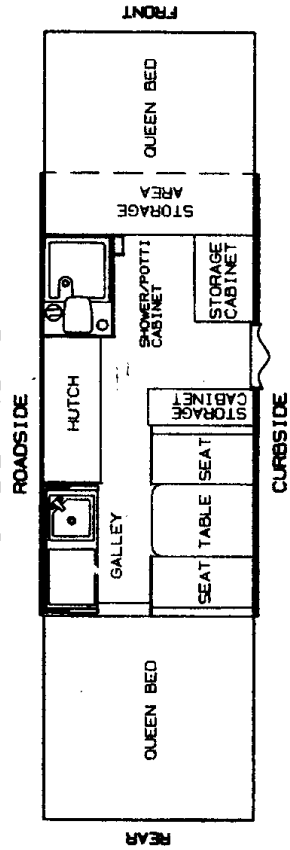
3141 KEY WEST



3192 SUN VALLEY



3195 NIAGARA

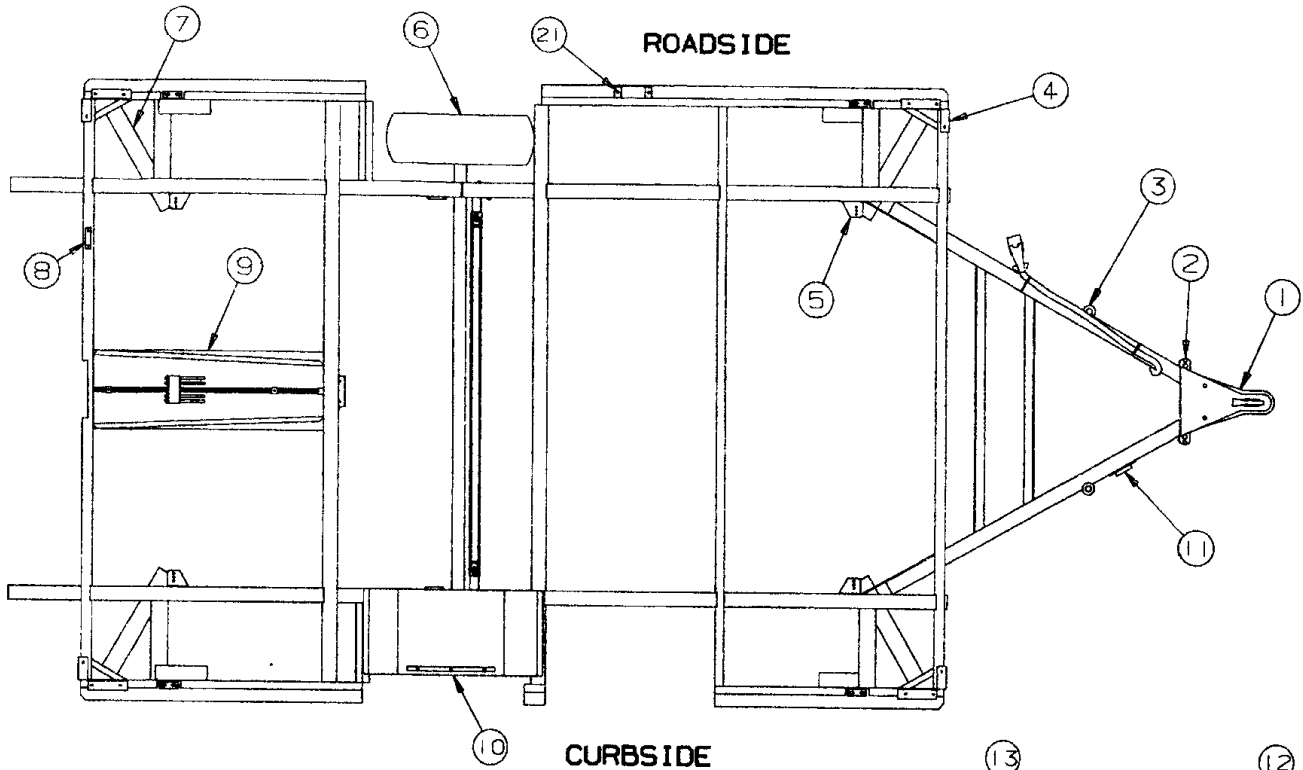


REPAIR PARTS/FLAT RATE

TABLE OF CONTENTS

Access door assembly & related parts	10	Refrigerator vents	11
Access door bulkheads, frt/rear	11	Regulator & fittings (gas bottle hook up)	26
Axle assembly & related parts	6	Safety chains	26
Backrest assemblies & covers	30	Screen door & jamb assembly	24
Bed extensions & related parts	23	Seat bench & related parts (dinette area)	21
Bed assemblies & related parts	22	Shower head & hose	16
Body panel front & rear assy & related parts	8	Shower curtain, 3195	30
Body panel right rear (curbside)	9	Shower curtain rod 3195	32, 33
Body panel left side (roadside)	11	Shower stall w/cassette potti components 3195	16
Body panel right front (curbside)	9	Sink (upper galley assy)	12, 14, 15
Bumper assembly & related parts	8	Spare tire mount package	26
Cabinet assembly (cs center) 3150, 92, 95	19	Stabilizer assembly (screw down)	2, 3
Cabinet assembly (csf corner cabinet)	18, 19	Stabilizer crank handle	2
Cassette potti cabinet 3141	18	Storage box front wall & related parts	20
Caulking	27	Storage box compartment, 3141,42,50,95	7
City water fill	11	Stove (upper galley assemblies)	12, 14, 15
Converters & related parts	20	Sunbrella tent assemblies & related parts	31
Cooler, (Bulit in Cooler)	14, 15, 16	Table assemblies & related parts	25
Corner bulkhead assembly	2, 3	Taillights	8
Coupler assembly	2, 3	Tent support poles & related parts	23
Crank handle	10	Thermostat (Hydro Flame)	21
Crank & sprocket assembly	4	Thrust nut	5
Cushion assemblies & covers	30	Tipout tent area 3150, 3192	31
Drain hose (used on sink assy)	12, 14, 15	Tire & rim	2, 3
Drape packages/single drape panels	30	Tongue jack & related parts	4
Drawer assembly components	20	Top assemblies & related parts	32, 33
Dressing room curtain 3195	30	Trim tape kits	8, 9, 11
Electric brake package	7	Upper galley lift bar & related parts	12, 14, 15
Electric water pump	29	Upper galley assemblies & related parts	12, 14, 15
Faucet assembly (upper galley assy)	12, 14, 15	Valance package	30
Fire extinguisher strap	17	Water heater	29
Fire extinguisher	17	Water tank	28, 29
Floor covering (6610707225, sold per foot)		Water system & related parts	28, 29
Frame assembly & related parts	2, 3	Water pump & related parts (ShurFlo)	14
Gas detector	21	Water heater door	11
Gas hose (gas bottle hook up)	26	Wheel well assembly	2, 3
Gas lines & related parts (outside stove)	27	Whiffletree & related parts	5
Gas bottle & related parts	27	Zipper (Sunbrella tent assembly)	31
Heater vent	14, 15, 16		
Hub assembly & related parts	6		
Hutch/bench (curbside) 3141, 42	17		
Hutch assembly (roadside) 3150, 92, 95	16		
Hydraulic system & related parts 3141, 3195	3, 19		
Keys	26		
Lift trim & miter covers	10		
Lift assemblies & related parts	5		
Lower galley assy's & related parts	13, 14, 15		
Mattress assemblies & covers	23		
Outside Stove & related parts	25		
Outside shower components	11		
Outside receptacle	9		
Paint (spray & quart can)	27		
Paneling & trim	18		
Parts package & related parts	26		
Pigtail (car end)	2, 26		
Power cord (converter)	20		
Receptacles (ground fault)	20		
		Axle - Dexter	219/295-1900
		Cassette Potti - Thetford	800/521-3032
		Converter - Magnetek	219/356-7101
		Furnaces - Hydro Flame	800/831-7531
		Hand Pump - Shurflo	800/762-8094
		Mix Faucet - Kevco	219/262-2531
		Range - Atwood Greenbrier	800/646-8557
		Refrigerator - Norcold	800/543-1219
		Tires - Duro	800/966-8473
		Water Heater - Suburban	219/294-5686

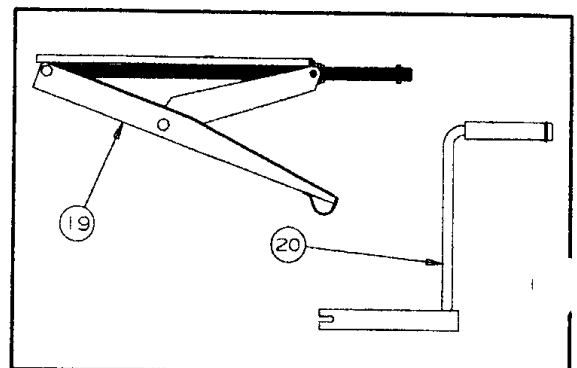
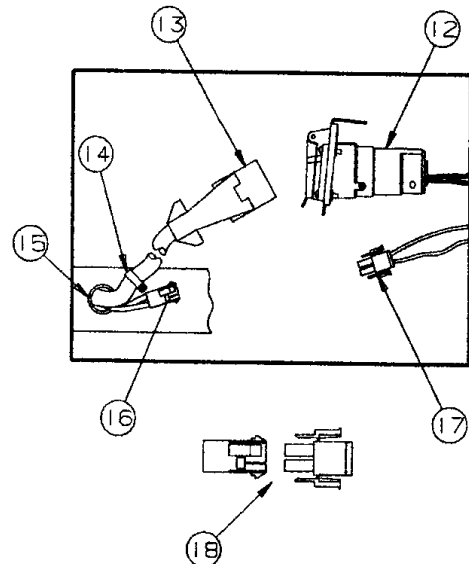
1997 GRAND TOUR SERIES



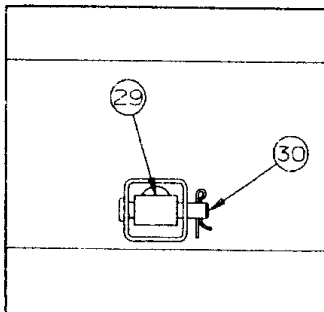
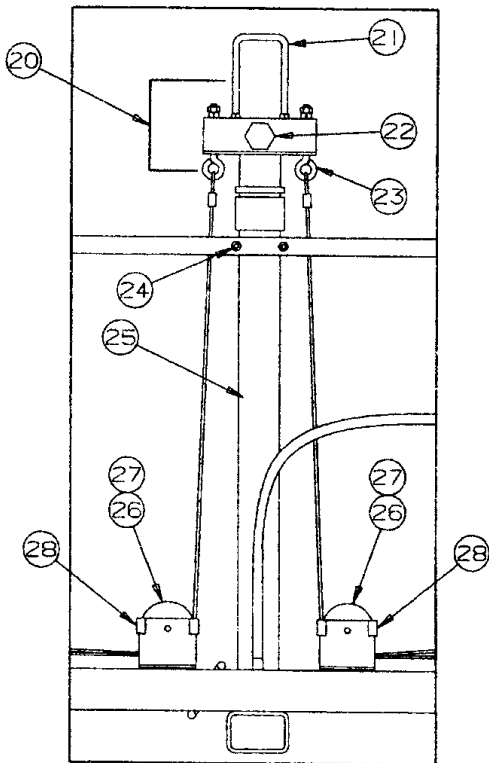
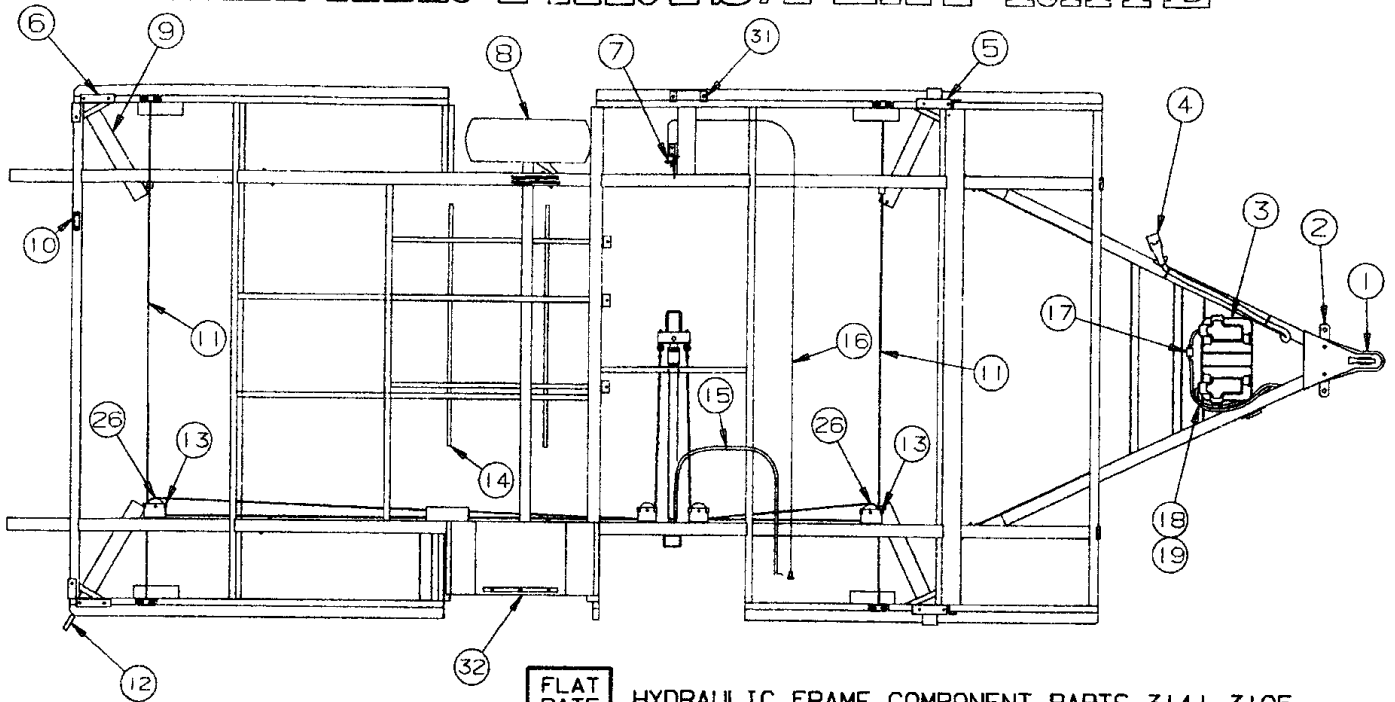
FLAT RATE

MAIN FRAME ASSEMBLY COMPONENT PARTS

1.50	①	4742-2001	2" COUPLER ASSEMBLY
.25		4714A2211	2" COUPLER REPAIR KIT
.75	②	4748-6611	CHAIN BAR W/PINS (3192)
.75		4720A3561	CHAIN BAR (3141,42,50,95)
.10	③	4747-8941	PIN COVER M2 (PLASTIC) (3141,42,50,95)
2.00	④	4754-6101	CORNER BULKHEAD LT. FRT./RT. RR. (ALL)
2.00		4754-6111	CORNER BULKHEAD RT. FRT./LT. RR. (ALL)
NOTE: MODELS 3141,42,50,95 WILL USE FRONT BULKHEADS LISTED BELOW			
2.00		4754-6231	FRT. BULKHEAD CSF 3141,42,50,95
2.00		4754-6241	FRT. BULKHEAD RSF 3141,42,50,95
		1203C8751	RIVET M25 (RIVET BULKHEAD TO FRAME)
1.50	⑤	4732C3678	ADJUSTABLE PULLEY BRKT. x4
.25		4715A5371	PULLEY & BEARING M10
		4720C1578	SHORT PIN
		1204B1081	COTTER PIN M10
.25	⑥	4753-8168	TIRE & RIM 13" SPOKED LOAD RANGE "C"
	⑦	4755-6631	STABILIZER SUPPORT PLATE (ALL 4 CORNERS)
1.00	⑧	4741D5601	SPARE TIRE SUPPORT
.25	⑨	4752B4921	WHIFFLETREE PAN COVER
		4744-050	HEX HEAD TEK SCREW x6
2.00	⑩	4754C0531	WHEEL WELL ASSEMBLY x2
.75	⑪	4720A3331	JACK BRACKET
.35	⑫	4746-5591	PIGTAIL (BARGMAN) CAR END
.35	⑬	4746-9811	WIRE HARNESS (BARGMAN)-CT FRONT
		4742-8961	BRAIDED NYLON SLEEVE
	⑭	1201-B738	CLAMP 3/8"
		1203-8968	ALUMINUM RIVET M25
.05	⑮	4742-8108	1 1/4" SNAP BUSHING
.15	⑯	4716-5001	12 VOLT POWER HARNESS
.15	⑰	4749A5531	12 VOLT WIRE HARNESS (CONNECTS TO BATTERY)
.15	⑱	4716-4701	12 VOLT CAP & PLUG
.25	⑲	4751A3351	STABILIZER (SCREW DOWN) x4
		4751-8208	TAPPING SCREW (3 PER STABILIZER)
	⑳	4747F4141	CRANK HANDLE
	㉑	4720G153	SIDE BULKHEAD



REPAIR PARTS/FLAT RATE

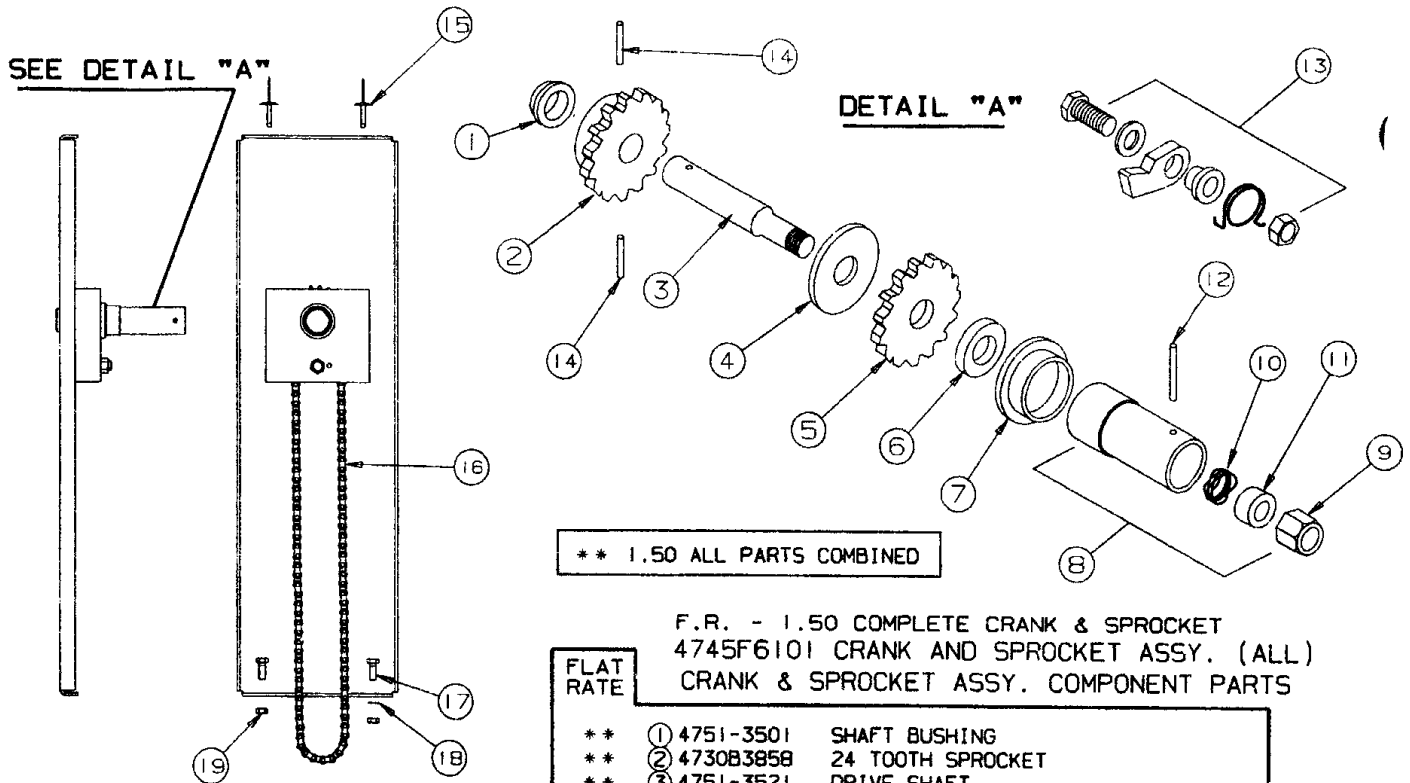


FLAT RATE

HYDRAULIC FRAME COMPONENT PARTS 3141, 3195

1.50	①	4742-2001	2" COUPLER ASSEMBLY
.25		4714A2211	2" COUPLER REPAIR KIT
.75	②	4748-6611	CHAIN BAR W/PINS
.25	③	4751-8451	BATTERY BOX W/STRAPS (PLASTIC)
.35	④	4753-375	WIRE HARNESS
2.00	⑤	4754-6241	CORNER BULKHEAD "RSF" 3141,95
2.00		4754-6231	CORNER BULKHEAD "CSF" 3141,95
2.00	⑥	4754-6111	CORNER BULKHEAD "RSR" 3141,95
2.00		4754-6101	CORNER BULKHEAD "CSF" 3141,95
		1203C8751	RIVET M25 (RIVET BULKHEAD TO FRAME)
.40	⑦	4751A6981	GRAVITY LATCH
		1203-8968	ALUMINUM RIVET M25
		4751A8441	GRAVITY LATCH SPRING
		4751-4758	LATCH SCREW W/HOLE
.25	⑧	4753-8168	TIRE & RIM 13" SPOKED-LOAD RANGE "C"
	⑨	4755-6631	STABILIZER SUPPORT PLATE (ALL 4 CORNERS)
1.00	⑩	4741D5601	SPARE TIRE MOUNT
1.00	⑪	4753-3391	LIFT CABLE & CRIMP M2
.25	⑫	4751A3351	STABILIZER (SCREW DOWN) x4
		4751-8208	TAPPING SCREW (3 PER STABILIZER)
1.50	⑬	4751C601	PULLEY BRACKET
.50	⑭	4751-6611	WATER BOTTLE SUPPORT BRKT. (3195 ONLY)
1.00	⑮	4753-8821	HYDRAULIC HOSE 3/8 1/2"
.65	⑯	4751C8351	PUSH/PULL RELEASE CABLE
.15	⑰	4751-4781	50 AMP CIRCUIT BREAKER
.65	⑱	4755A6021	*6 AWG BLACK BATTERY CABLE
.65	⑲	4755A6031	*6 AWG RED BATTERY CABLE
.75	⑳	4752A6461	HAT SECTION & EYE BOLT ASSY.
.30	㉑	4751A8421	HAT SECTION "U" BOLT
		1201B5188	NUT x2
	㉒	4751-3398	5/8"x2 1/4" BOLT
		4751-4408	5/8" NUT
		4751-3388	5/8" SPLIT LOCK NUT
1.00	㉓	4744-44561	EYE BOLT M4
		1201B6028	LOCKNUT
.30	㉔	4751A3851	CYLINDER U-BOLT & NUTS
1.00	㉕	4751B3361	HYDRAULIC CYLINDER
.25	㉖	4751A5491	5/16" PULLEY & BEARING M2
	㉗	4720K1561	5/16" LONG PIN W/COTTER PIN M4
1.50	㉘	4751B600	PULLEY BRACKET ASSY.
.15	㉙	4751-3431	NYLON SPACER M4
	㉚	4720J1561	1/4" LONG PIN W/COTTER PIN M4
	㉛	4720G1531	SIDE BULKHEAD
2.00	㉜	4754C0531	WHEEL WELL ASSY. x2

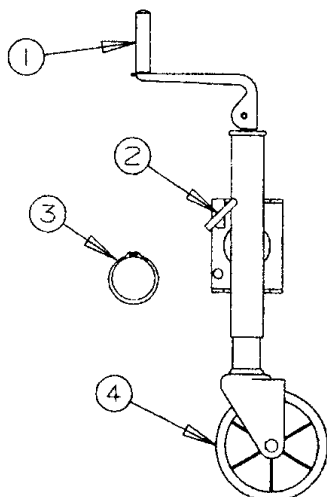
1997 GRAND TOUR SERIES



** 1.50 ALL PARTS COMBINED

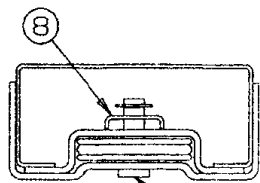
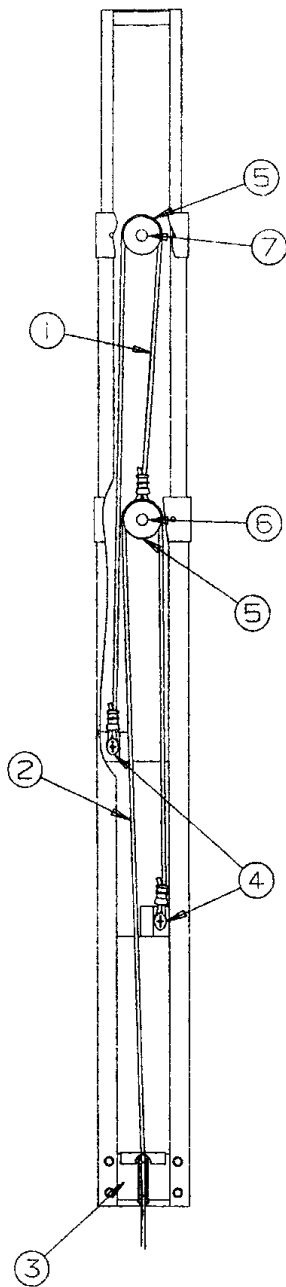
F.R. - 1.50 COMPLETE CRANK & SPROCKET
4745F6101 CRANK AND SPROCKET ASSY. (ALL)
CRANK & SPROCKET ASSY. COMPONENT PARTS

FLAT RATE	Part Number	Description
**	① 4751-3501	SHAFT BUSHING
**	② 4730B3858	24 TOOTH SPROCKET
**	③ 4751-3521	DRIVE SHAFT
**	④ 4751-3561	PRESSURE PLATE
**	⑤ 4751-4831	RATCHET WHEEL
**	⑥ 4751-3581	PRESSURE WASHER
**	⑦ 4751-3591	SHAFT BUSHING
.75	⑧ 4751-6511	DRIVE HUB EXTENSION PKG.
NOTE: PACKAGE INCLUDES PARTS MARKED W/ASTERISK (*)		
	⑨ *4751-3551	HEX HEAD NUT
	⑩ *4752-3921	HANDLE SPRING x1
	⑪ *4751-4671	NYLON SPACER x1
	⑫ *4747A9451	SPIROL ROLL PIN M6
.60	⑬ 4716-1221	RATCHET PAWAL PKG.
	⑭ 4720D1481	ROLL PIN x1 M10
	4744A1301	SHEAR PIN x1 M10
	⑮ 1203C8721	RIVET x2 M25
1.50	⑯ 4755-1431	CHAIN (INCLUDES CONNECTING LINK)
	4730A3811	CONNECTING LINK
	⑰ 4731-3878	HEX HEAD BOLT x2
	⑱ 1202B0438	WASHER
	⑲ 1201B6038	HEX NUT x2

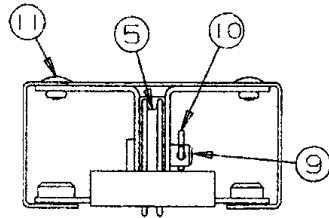


FLAT RATE	Part Number	Description
FLAT RATE .10 TONGUE JACK ASSY. - 4720B6661		
.15	① 4714-2821	JACK HANDLE KIT M2
.15	② 4714-2818	LOCKING PLUNGER KIT
.10	③ 4720A3341	SNAP RING
.25	④ 4716-6661	JACK WHEEL, NUT & BOLT

REPAIR PARTS/FLAT RATE



TOP VIEW OF LIFT



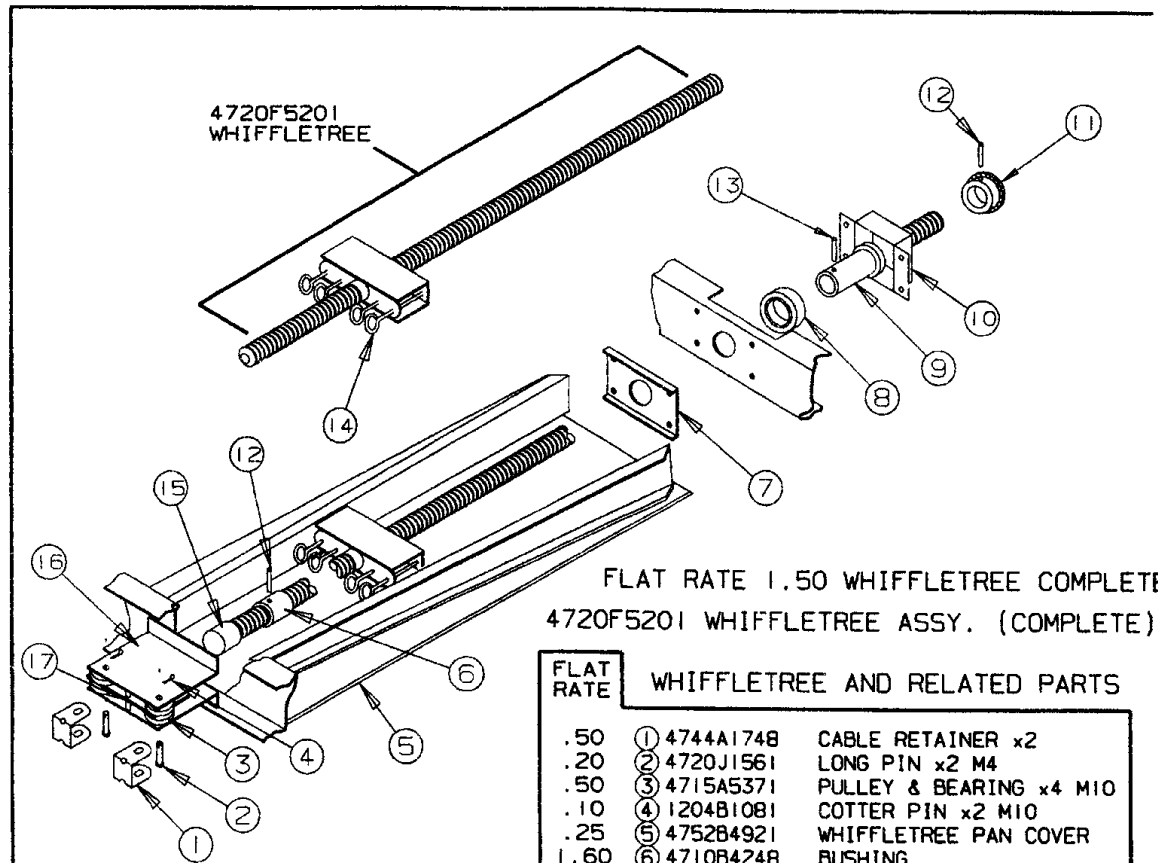
BOTTOM VIEW OF LIFT

FLAT RATE .75 PER LIFT ASSEMBLY

4751B6371-LIFT ASSY.ROADSIDE REAR/CURBSIDE FRONT

4751B6381-LIFT ASSY.ROADSIDE FRONT/CURBSIDE REAR

FLAT RATE	LIFT ASSEMBLY COMPONENT PARTS	
1.00	① 4720D5271	CABLE ASSEMBLY x1
	4720C1691	CABLE CRIMP M20
1.00	② 4753-3391	LONG CABLE ASSY. 250" M2
	4744-1318	COPPER CABLE CRIMP M10
1.25	③ 4731C5801	BUTTERFLY BRKT. ASSY.
.05	④ 4749-2081	SCREW x3 M6
.45	⑤ 4715A5371	STEEL PULLEY & BEARING x4 M10
.25	⑥ 4747-8931	LONG PIN x2
	4730B0981	RETAINING RING M12
.25	⑦ 4749-4061	PIN SHORT x1 M4
	4730B0981	RETAINING RING M12
.25	⑧ 4749A2028	RETAINING CLIP
1.25	⑨ 4720C1578	LIFT PIN x1
	⑩ 1204B1081	COTTER PIN M10
	⑪ 1203-8641	RIVET x4 M25



FLAT RATE 1.50 WHIFFLETREE COMPLETE

4720F5201 WHIFFLETREE ASSY. (COMPLETE)

FLAT RATE	WHIFFLETREE AND RELATED PARTS	
.50	① 4744A1748	CABLE RETAINER x2
.20	② 4720J1561	LONG PIN x2 M4
.50	③ 4715A5371	PULLEY & BEARING x4 M10
.10	④ 1204B1081	COTTER PIN x2 M10
.25	⑤ 4752B4921	WHIFFLETREE PAN COVER
1.60	⑥ 4710B4248	BUSHING
	⑦ 4720C2418	PLATE
1.50	⑧ 4720A2421	THRUST NUT BEARING
1.50	⑨ 4720B2388	THRUST NUT
1.50	⑩ 4720B2408	RETAINER
1.00	⑪ 4730B3848	SPROCKET (12 TOOTH)
	⑫ 4720D1481	ROLL PIN M10
1.00	⑬ 4744A1301	SHEAR PIN M10
1.25	⑭ 4744A4451	SCREW EYE x4 M4
	1201B6028	5/16" LOCKNUT
2.00	⑮ 4730D1291	SCREW SOCKET
2.00	⑯ 4720-1551	PULLEY PLATE
.50	⑰ 4715C5661	PULLEY SPACER

1997 GRAND TOUR SERIES

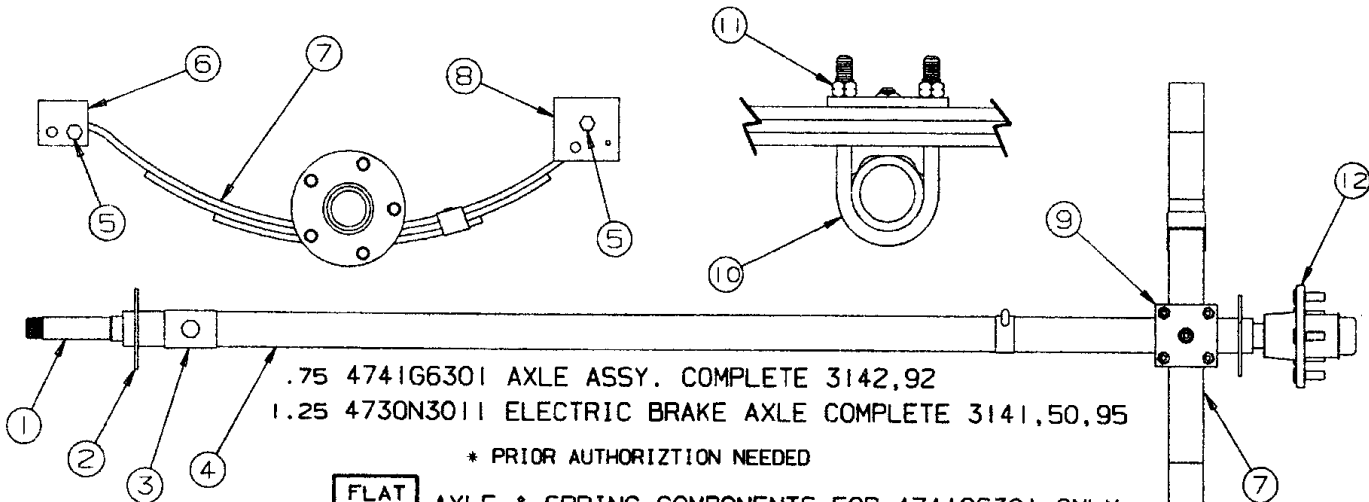
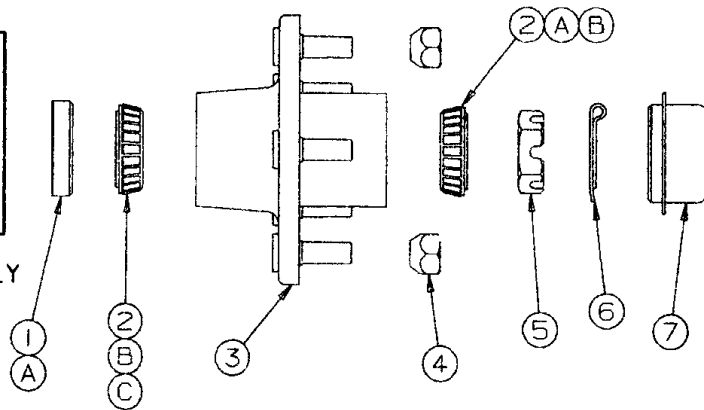
FLAT RATE

HUB ASSY. & RELATED PARTS

.50	① 4714A2201	GREASE SEAL x1 M4
.50	② 4716-1101	BEARING & RACE PKG.
.30	③ 4738E0451	HUB W/RACE & LUG NUTS
.05	④ 4747A9528	LUG NUT x5
.10	⑤ 4714-3068	SLOTTED SPINDLE NUT x1
.10	⑥ 1204-1268	COTTER PIN x1
.05	⑦ 4714B0621	DUST CAP x1 M4

CROSSOVER NUMBERS TO PURCHASE LOCALLY

(A)	L3194TB	GREASE SEAL
(B)	L44649	BEARING
(C)	L44610	RACE



.75 4741G6301 AXLE ASSY. COMPLETE 3142,92
 1.25 4730N3011 ELECTRIC BRAKE AXLE COMPLETE 3141,50,95

* PRIOR AUTHORIZATION NEEDED

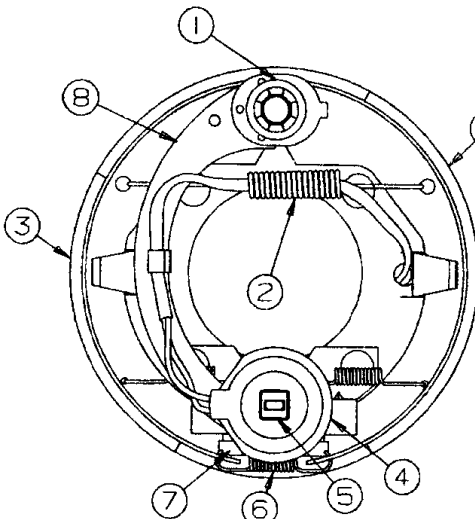
FLAT RATE

AXLE & SPRING COMPONENTS FOR 4741G6301 ONLY

*	① 4741B8491	SPINDLE
*	② 4741A847	BRAKE MOUNTING PLATE
*	③ 4741-8461	SPRING PAD CHANNEL M2
1.00	④ 4741F6251	AXLE BEAM (4741G6301 AXLE ONLY)
.25	⑤ 4737A1318	SHACKLE BOLT
2.00	⑥ 4741-9498	SHACKLE BOLT NUT
2.00	⑦ 4741A3398	SPRING SHACKLE (REAR)
.75	⑧ 473502201	3 LEAF SPRING (4741G6301 AXLE ONLY)
2.00	⑨ 4741B3398	SPRING SHACKLE (FRONT)
.50	⑩ 4741-8458	U-BOLT PLATE
.25	⑪ 4741A8438	U-BOLT
.30	⑫ 4741-9358	U-BOLT NUT
.30	⑬ 4738E0451	HUB W/RACE & LUG NUTS

4730N3011 ELECTRIC BRAKE AXLE COMPONENTS

.30	4716-1431	BRAKE HUB
.50	4716-1451	BEARINGS & GREASE SEAL PKG. (PACKAGED FOR ONE HUB ONLY)

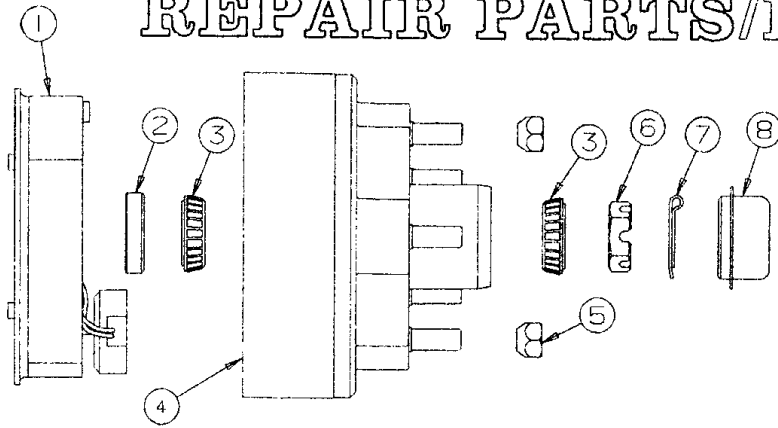


FLAT RATE

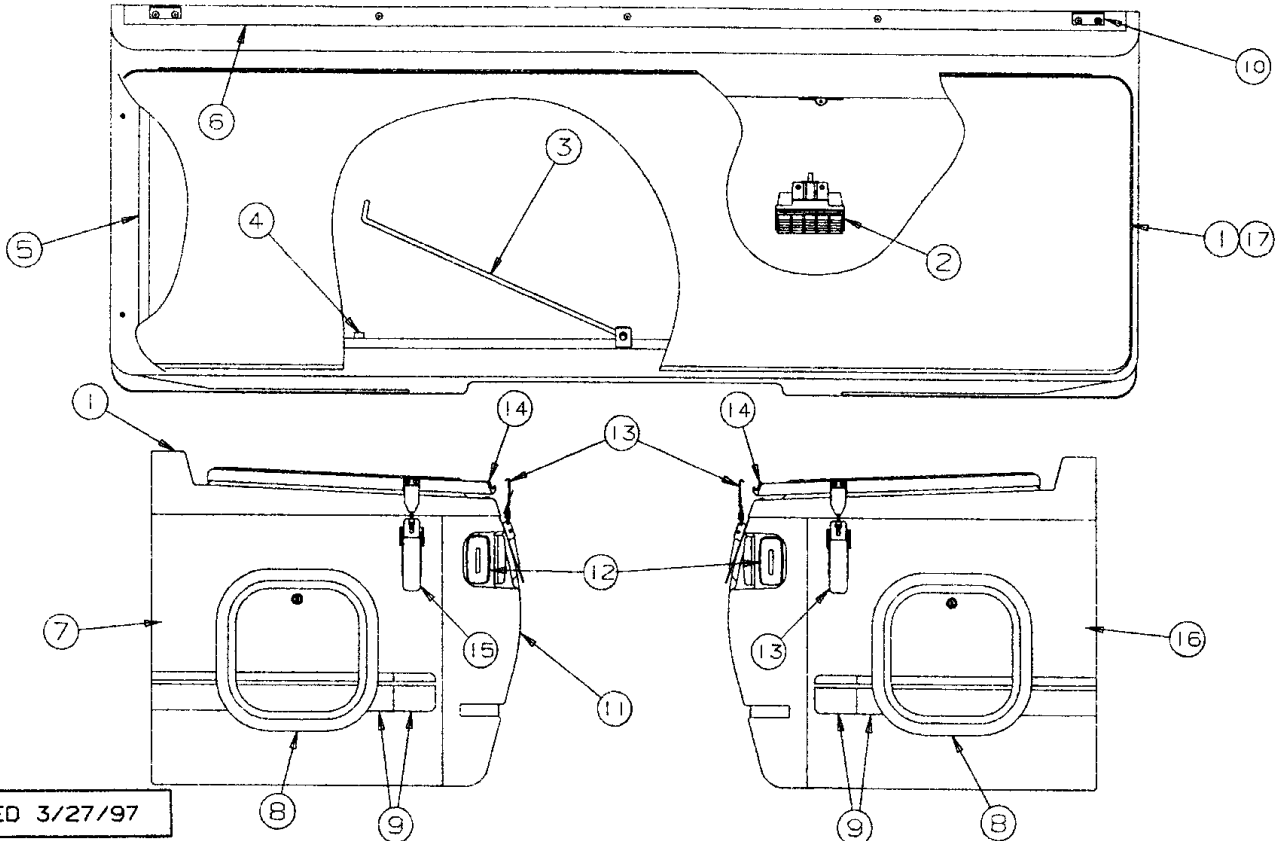
ELECTRIC BRAKE COMPONENTS

①	4714A2461	ANCHOR POST CLIP M2
②	4714A2411	RETRACTOR SPRING
.40	③ 4714B2071	BRAKE SHOES (SET)
.40	④ 4714D2451	MAGNET, SPRING & CLIP PKG.
⑤	4714B2471	RETAINER CLIP M2
⑥	4714A2101	ADJUSTING SCREW SPRING
⑦	4714A2041	ADJUSTING SCREW
⑧	4714A2841	RT. & LT. LEVER ARM PKG.
⑨	4714B2421	MAGNET HOUSING SPRING

REPAIR PARTS/FLAT RATE



FLAT RATE	ELECTRIC BRAKE PKG. - 4714H201
.50	① 4733A3521 BRAKE ASSY. (RT. HAND)
.50	4733A3531 BRAKE ASSY. (LT. HAND)
.50	② 4714A2201 GREASE SEAL x2 M4
.50	③ 4716-1101 BEARING & RACE PKG.
.30	④ 4716A1071 HUB & DRUM ASSY. x2
.05	⑤ 4747A9528 LUG NUT x10
.10	⑥ 4714-3068 SPINDLE NUT x2
.10	⑦ 1204-1268 COTTER PIN x2
.05	⑧ 4714B0621 DUST CAP x2 M4



REVISED 3/27/97

* USED ON 3142 S/N-09511-10245
 * USED ON 3141 S/N-04011-04428
 * USED ON 3150 S/N-08011-09010/17511-18000
 * USED ON 3195 S/N-09011-09510/16011-16150

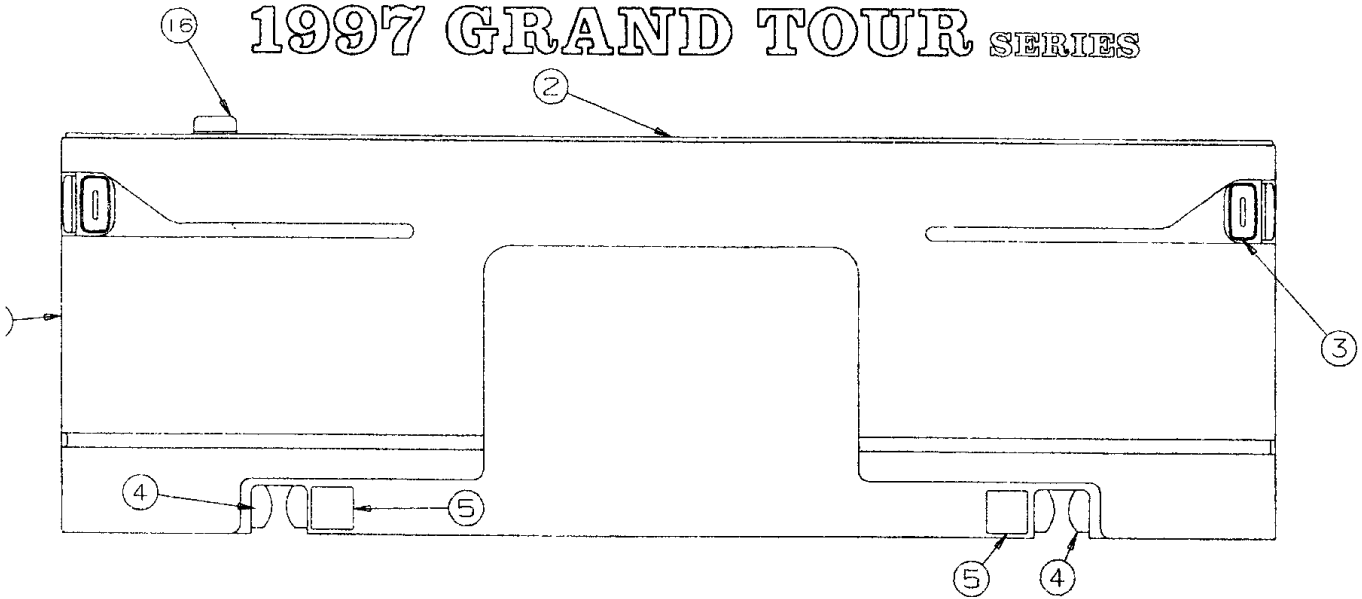
** USED ON 3142 S/N-10246-THEREAFTER
 ** USED ON 3141 S/N-04429-THEREAFTER
 ** USED ON 3150 S/N-18001-THEREAFTER
 ** USED ON 3195 S/N-16151-THEREAFTER

FLAT RATE

STORAGE COMPARTMENT COMPONENT PARTS 3141, 42, 50, 95

1.00	① 4753-58501 LID & DECK ASSY. (COMPLETE)	.25	⑨ 4350001799F TRIM TAPE (SOLD/FT.)
.65	4753B1301 LID HINGE	.25	⑩ 4734E1531 BED STOP ANGLE x2
	1017B1018 MACHINE SCREW x13	1.75	⑪ 4753-4871 FRONT ABS PANEL 3142
	1201B6928 KEPS NUT x13	1.75	4751B0451 FRONT ABS PANEL 3141, 50, 95
.25	② 4751-0921 CARGO LIGHT	.15	⑫ 4714H08481 AMBER LENS & BASE
	4741D96568 RIVET x2 M25		NOTE: REFER TO PAGE 8 FOR COMPONENTS
.15	③ 4751A1181 PROP ROD	.15	⑬ 4741C6041 TOP LATCH W/OUT LOCK TAB x3
	4751-1208 PUSH NUT CAP x1		4749-4848 FOAM PAD
	4751-1191 PROP ROD BRKT.		4741A9101 TEK SCREW M10 (FRT. LATCH ONLY)
.10	④ 4720A0721 COOLER CLIP M2		4744B2468 MACHINE SCREW x4 (SIDE LATCH ONLY)
.40	⑤ 4060000404F DECK SEAL 18' REQUIRED		1201B6958 KEPS NUT x4 (SIDE LATCH ONLY)
.50	⑥ 4754A1041 PLASTIC TRIM ANGLE (BROWN)	.15	⑭ 4749B1441 STRIKE x5 M2
.80	⑦ * 4751F0841 CURBSIDE STORAGE BOX PANEL		4741D96568 EXPANSION RIVET M25
.80	** 4751H0841 CURBSIDE STORAGE BOX PANEL		⑮ 4715F5051 TOP LATCH W/LOCK TAB
.45	⑧ 4751B0981 COMPARTMENT DOOR - LESS LOCK		NOTE: REFER TO CODE 13 FOR MOUNTING HARDWARE
	4350000028P 1/8"x3/4" BUTYL TAPE (6' PC.)	.80	⑯ **4752C8841 ROADSIDE STORAGE BOX PANEL
	(TAPE USED AROUND PERIMETER OF DOOR)	.80	**4752E8841 ROADSIDE STORAGE BOX PANEL
.15	4751A8301 LOCK ASSY. (WITH KEY)	.40	⑰ 4060000588F LID SEAL 12' REQUIRED SOLD/FT.
			⑱ 4754-2001 FLOOR SEAM DIVIDER 85 13/16" LONG

1997 GRAND TOUR SERIES

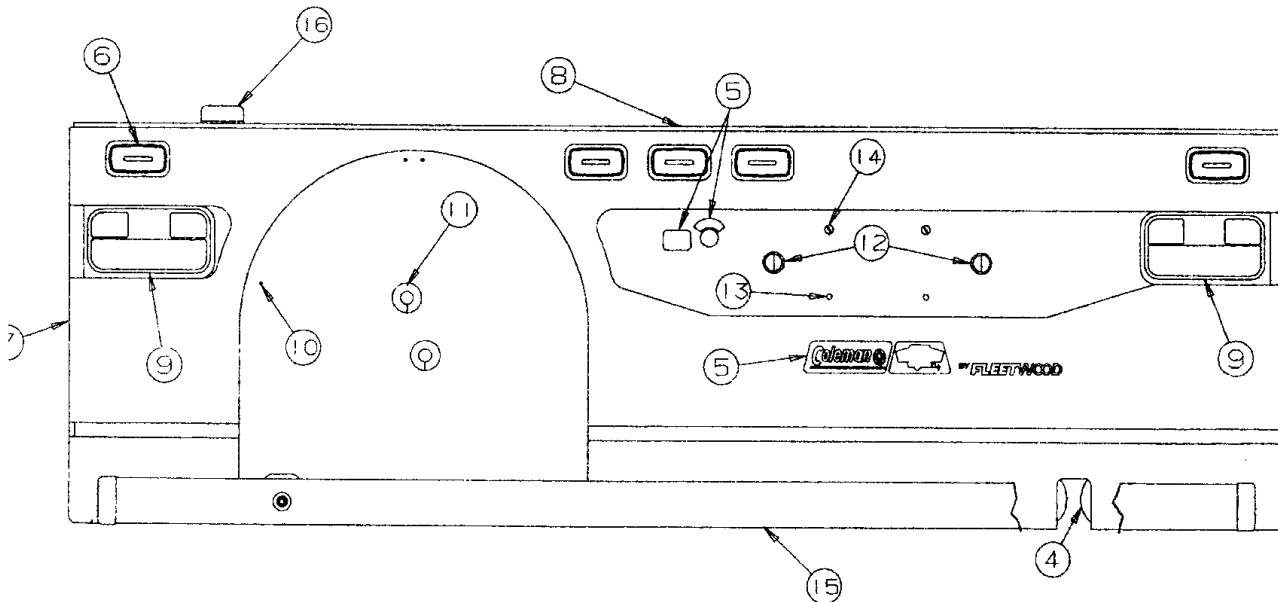


4716J2151 FRONT & REAR BODY PANEL DECAL/HARDWARE KIT

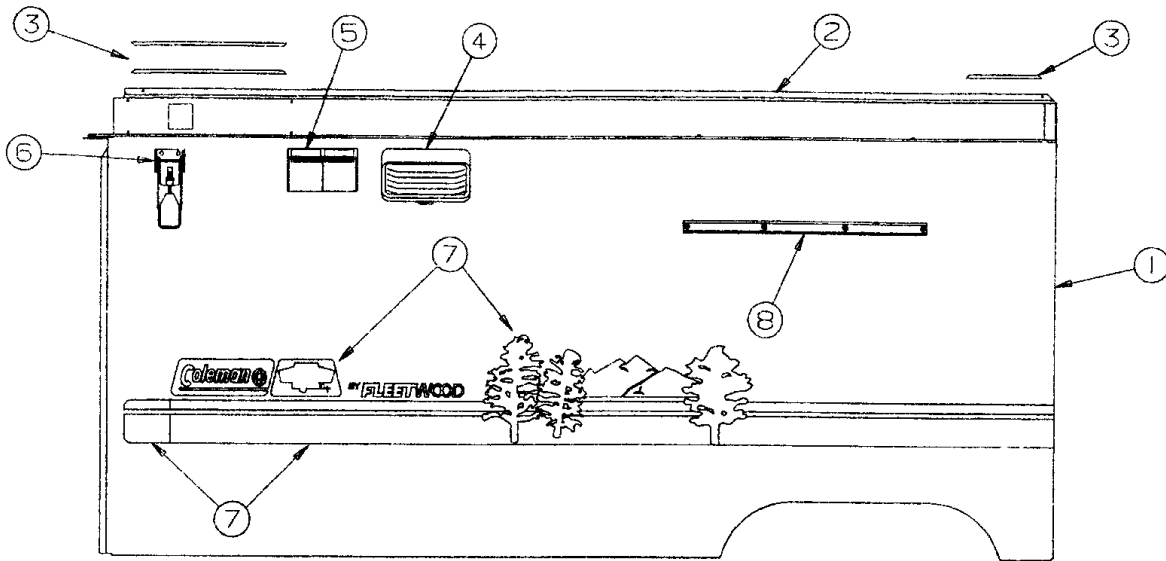
FLAT RATE

FRONT & REAR BODY PANEL ASSEMBLY COMPONENTS

.85	① 4750C8721	FRONT BODY PNL. (3192 ONLY)	.75	⑧ 4720P1791	END RAIL-REAR (ALL)
		NOTE: REFER TO PAGE 7 FOR ABS BODY PANEL USED ON BOX MODELS	.20	⑨ 4749B4321	TAILLIGHT
.75	② 4720P1801	END RAIL- FRONT (3192 ONLY)	.10	4716A1061	TAILLIGHT LENS
.15	③ 4714H08481	AMBER LENS & BASE x4		4747-2558	RIVET M25
.10	4716-4571	AMBER LENS (LENS ONLY)		⑩ 4747-9181	HOLE PLUG 1/4" M4
	4733H1311	SOCKET & HARNESS	.10	⑪ 4754-3871	FOAM GASKET M2
	4750A3741	MARKER LIGHT GASKET	.15	⑫ 4739B4311	LICENSE PLATE LIGHT x2
	4747-2558	RIVET M25	.05	⑬ 4737A0728	RUBBER BUMPER x2
.15	④ 4737C4451	PANEL GASKET	.05	⑭ 4732-1181	PLASTIC GROMMET M4
	⑤ 4716J2151	FRT. & REAR TRIM TAPE KIT (ALL)		1121C1618	LICENSE PLATE SCREW x2
.15	⑥ 4714H08581	RED LENS & BASE	.40	⑮ 4753C2031	BUMPER W/OUT END CAPS
.10	4716-4561	RED LENS (LENS ONLY)	.10	4753A2041	BUMPER CAP & RIVET (LEFT)
		REFER TO CODE #3 FOR HARDWARE	.10	4753A2051	BUMPER CAP & RIVET (RIGHT)
2.15	⑦ 4750A87381	REAR BODY PNL. (ALL)	.25	⑯ 4734E1531	BED STOP ANGLE
				4734C1861	RIVET M25 (RIVET ANGLE TO RAIL)

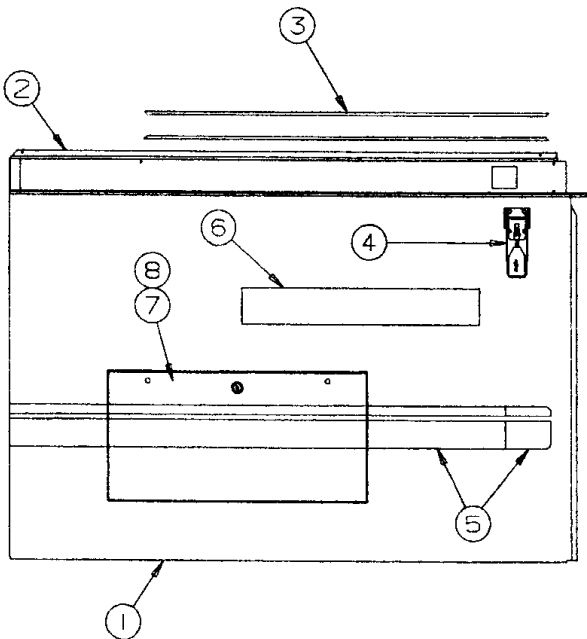


REPAIR PARTS/FLAT RATE



CURBSIDE RIGHT REAR BODY PANEL & COMPONENTS
4716J2101 CURBSIDE HARDWARE & TRIM TAPE KIT

FLAT RATE							
1.50	①	4752B9621	BODY PANEL 3142	.25	④	4752-9921	PORCH LIGHT
1.50		4755-0951	BODY PANEL 3150	.10		4716-5511	PORCH LIGHT LENS
1.50		4752B9641	BODY PANEL 3192			4741-9108	HEX HEAD TEK SCREW
1.50		4753B2321	BODY PANEL 3141,3195	.25	⑤	4746A3861	DUPLEX COVER & OUTLET
		4060050008F	1/2" x1" FOAM TAPE (SOLD/FT.)	.35		4746-3871	DUPLEX BOX
1.00	②	4750E8451	BODY RAIL 3142			1203-8678	RIVET M25 (RIVET BOX TO PNL.)
1.00		4755-0941	BODY RAIL 3150	.15	⑥	4741C6041	TOP LATCH (W/OUT LOCK TAB)
1.00		4753A2351	BODY RAIL 3141,95			4749-4848	FOAM PAD
1.00		4753A0711	BODY RAIL 3192			4741-8218	TEK SCREW (x4 PER LATCH)
		4734C1861	RIVET M25	.75	⑦	4716J2101	TRIM TAPE & HARDWARE KIT (ALL)
.10		4723A8071	VELCRO HOOK 2x2 M4	.25	⑧	4750B8481	STOVE SUPPORT
.10		4350000005F	3/4" VELCRO HOOK (SOLD/YARD)			4745-3968	SCREW x3
.05		4710-3621	1/8" ROLL PIN M10			4744A2468	MACHINE SCREW x2
.35	③	4744-2621	BED SLIDE 32" (MUST CUT TO SIZE)			1201B6958	NUT x2

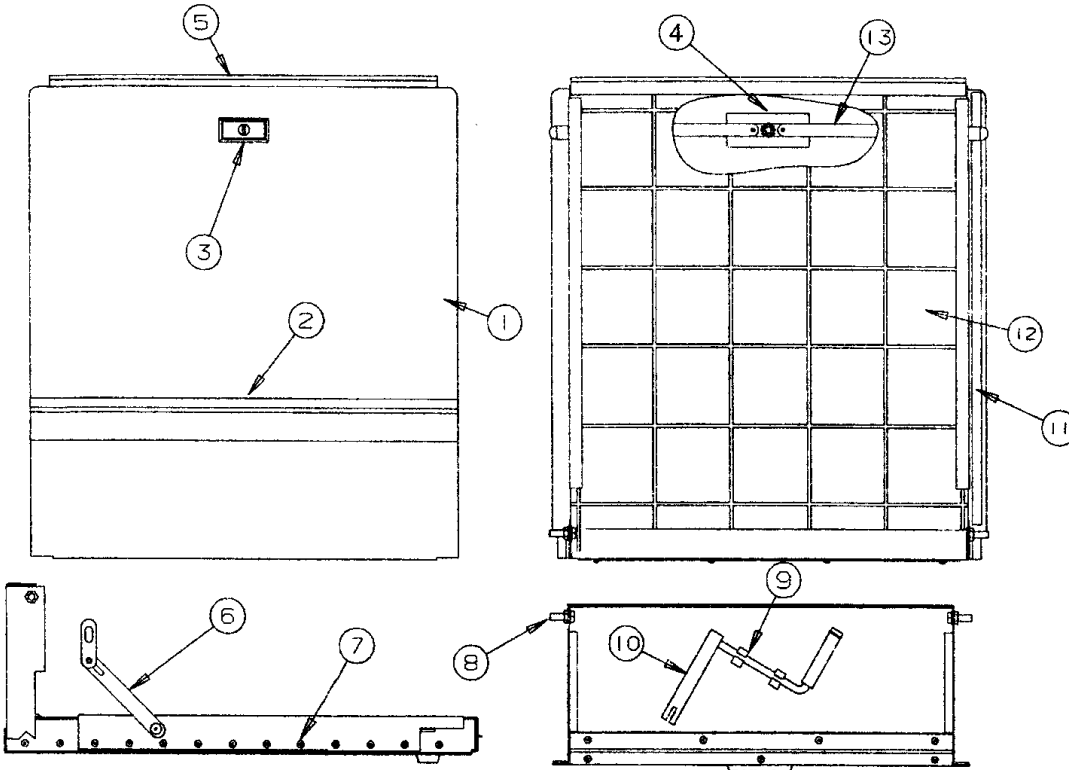


CURBSIDE RIGHT FRONT BODY PANEL & COMPONENTS

4716J2101 CURBSIDE HARDWARE & TRIM TAPE KIT
 NOTE: CODE #6 NOT INCLUDED IN KIT MUST ORDER SEPARATELY

FLAT RATE					
1.25	①	4752C9651	BODY PNL. 3142		
1.25		4755-0931	BODY PNL. 3150		
1.25		4752B9671	BODY PNL. 3192		
1.25		4755C0431	BODY PNL. 3141,95 (HYDRUALIC ONLY)		
1.25		4753C2331	BODY PNL. 3141,95		
		4060050008F	1/2" x1" FOAM TAPE (SOLD/FT.)		
1.00	②	4753D0761	BODY RAIL 3142		
1.00		4755A0921	BODY RAIL 3150		
1.00		4753B0721	BODY RAIL 3192		
1.00		4753D2361	BODY RAIL 3141,3195		
			NOTE: REFER TO CODE #2 ABOVE FOR HARDWARE		
.35	③	4744-2621	BED SLIDE 32" (MUST CUT TO SIZE)		
.15	④	4715F5051	TOP LATCH (W/LOCK TAB)		
			NOTE: REFER TO CODE #6 ABOVE FOR HARDWARE		
.50	⑤	4716J2101	TRIM TAPE & HARDWARE KIT (ALL)		
.25	⑥	4750D8478	YUKON NAME DECAL		
.25		4755-1958	SUNRIDGE NAME DECAL		
.25		4753A0708	SUN VALLEY NAME DECAL		
.25		4753A3248	KEY WEST NAME DECAL		
.25		4753A2348	NIAGARA NAME DECAL		
.35	⑦	4744C6071	HATCH DOOR ASSY. 3192 ONLY		
.35		4746B6321	HATCH DOOR ASSY. 3141,95 (HYDRUALIC ONLY)		
		4060000407F	P-SEAL SOLD/FT. (AROUND WOOD FRAMING)		
.15		4751A8301	LOCK ASSEMBLY (WITH KEY)		
.15		4742B1261	HINGE x2 PER DOOR		
		1203-8678	RIVET M25 (x2 PER HINGE)		
	⑧	4754-6821	WOOD FRAMING 3192		
		4746D5121	WOOD FRAMING 3141,95		

1997 GRAND TOUR SERIES



4750C66581 ACCESS DOOR ASSY. (COMPLETE) FLAT RATE 1.25 ACCESS DOOR COMPLETE

FLAT
RATE

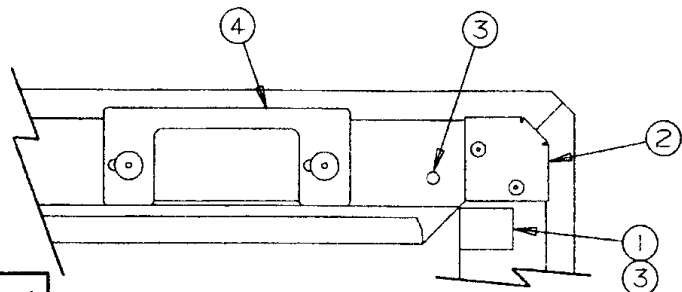
1.00	①	4750A4821	ACCESS DOOR SKIN
.25	②	4350001799F	TRIM TAPE 3'REQUIRED (SOLD \ FT.)
1.00	③	4730C3111	LOCK HANDLE (WITH KEY)
		4716-056	SCREW x2
		1201B6958	KEPS NUT x2
1.00	④	4741-1438	REINFORCEMENT PLATE
.25	⑤	4731M2331	ACCESS DOOR CAP
		1203-8641	RIVET M25
.15	⑥	4744-6981	SWING ARM ASSY.(RIVETS & WASHERS INCLUDED)
		1203C8721	RIVET M25
		1202B0468	WASHER
	⑦	4733D0601	RIVET M25 (ARCTIC WHITE)
	⑧	1006B2428	BOLT x2
		1202B0468	WASHER x2
.10	⑨	4734-2431	SNAP CLIP M4
		4733-4118	TEK SCREW
	⑩	4747F4141	CRANK HANDLE
.20	⑪	4060025006F	FOAM TAPE (SOLD/FOOT)
1.00	⑫	4750B9351	FLOOR COVERING
1.00	⑬	4741-6551	LOCK BAR ASSEMBLY

* USED ON TRLR.S PRIOR TO 10/31/96
** USED ON TRLR.S AFTER 10/31/96

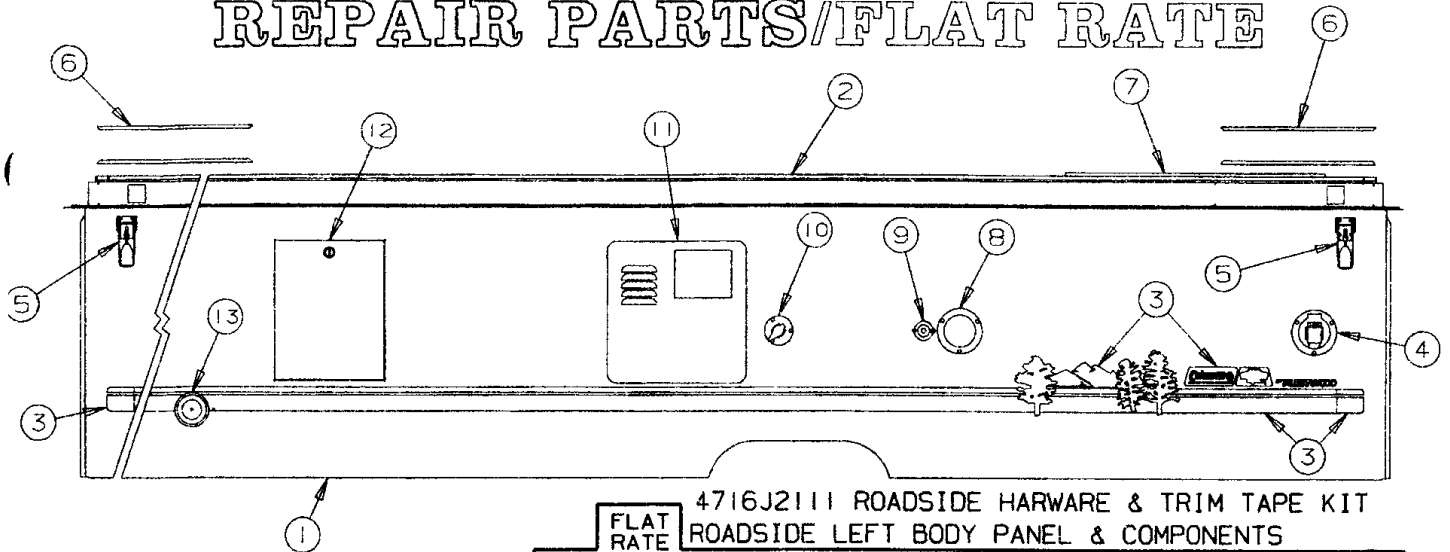
FLAT
RATE

LIFT TRIM & MITER COVERS

.15	①	4747-2171	BUG HOLE PATCH (FURRY)
.15	②	* 4737F9111	MITER COVER M4
.15	**	4737G9111	MITER COVER M4
		1203-8641	RIVET M25
.25	③	4741A9101	HEX HEAD TEK SCREW M10
	④	4734H4111	LIFT TRIM
		4753A3941	RUBBER GASKET M4
		1203-8831	RIVET M25
		4350000082P	1/4" x 1/4" FOAM TAPE (4' PC.)

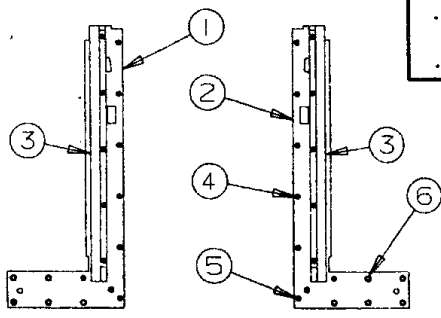
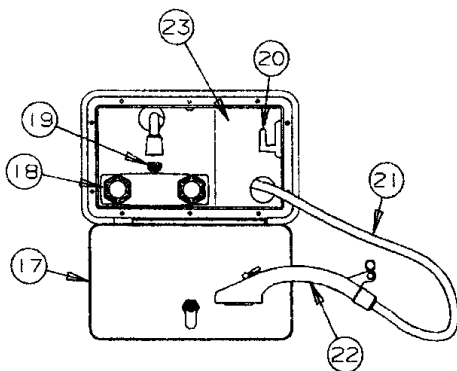
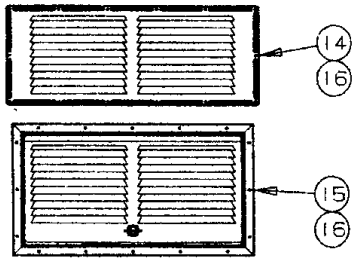


REPAIR PARTS/FLAT RATE



* USED PRIOR TO S/N-08451
 ** USED STARTING WITH S/N-08451

*** ADD .50 WATER HEATER
 *** ADD .75 REFRIGERATOR VENT
 *** ADD .50 FURNACE VENT

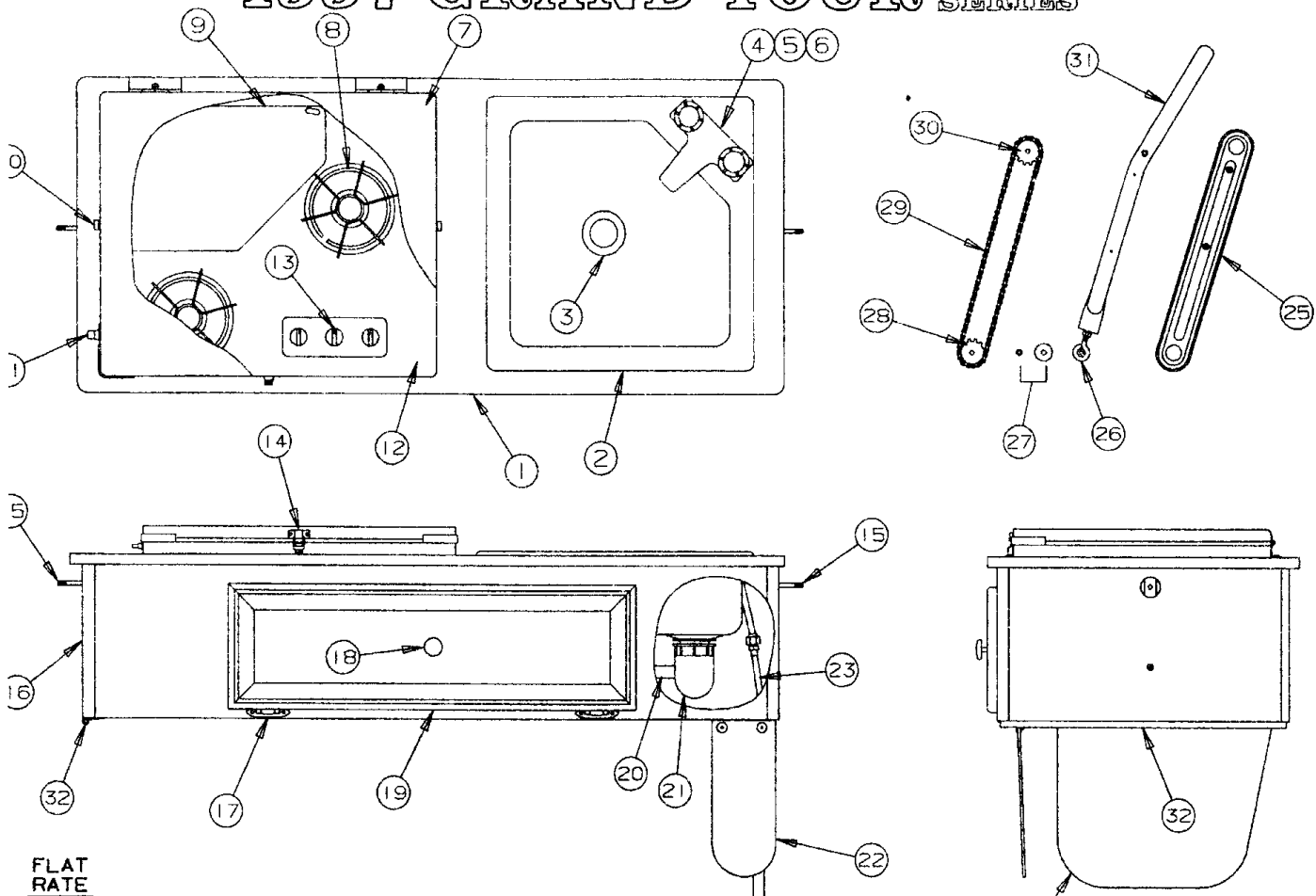


4716J2111 ROADSIDE HARDWARE & TRIM TAPE KIT ROADSIDE LEFT BODY PANEL & COMPONENTS

FLAT RATE	PART NUMBER	DESCRIPTION
*** 2.00	① 4752C9681	LEFT SIDE BODY PANEL 3142
*** 2.00	* 4755-0961	LEFT SIDE BODY PANEL 3150
*** 2.00	** 4755A0961	LEFT SIDE BODY PANEL 3150
*** 2.00	4752D9711	LEFT SIDE BODY PANEL 3192
*** 2.00	4753C4161	LEFT SIDE BODY PANEL 3195
*** 2.00	4753C2311	LEFT SIDE BODY PANEL 3141
	4060050008F	1/2" x 1" FOAM TAPE (SOLD/FOOT)
3.00	② 4734P1761	BODY RAIL 3142
3.00	4753A0691	BODY RAIL 3192
3.00	4753B0691	BODY RAIL 3141, 50, 95
	NOTE: REFER TO PAGE 9 CODE #2 FOR HARDWARE	
.75	③ 4716J2111	HARDWARE & TRIM TAPE KIT (ALL)
.15	④ 4733B23361	CABLE HATCH
	4741-3508	HEX HEAD SCREW x3
.15	⑤ 4741C6041	TOP LATCH
	NOTE: REFER TO PAGE 9 FOR CODE #6 MOUNTING HARDWARE	
.35	⑥ 4744-2621	BED SLIDE 32" MUST CUT TO SIZE
.20	⑦ 4737D2231	CURTAIN TRACK
	1203-8678	RIVET M25
.30	⑧ 4731D1711	FILL SPOUT
	4741-9108	HEX HEAD TEK SCREW x3
.25	⑨ 4734C0681	DRAIN SPOUT M2
.10	4714-0021	CAP & STRAP M2
	4741-9108	HEX HEAD TEK SCREW x3
.30	⑩ 4732F1521	CITY FILL
	4741-9108	HEX HEAD TEK SCREW x3
.25	⑪ 4716-1331	WATER HEATER DOOR
.35	⑫ 4746B6321	POTTI HATCH DOOR 3195
	4746D5121	WOOD FRAMING 3195
	4060000407F	P-SEAL SOLD/FT. (AROUND WOOD FRAMING)
.15	4751A8301	LOCK ASSY. (WITH KEY)
.15	4742B1261	HINGE x2 PER DOOR
	1203-8678	RIVET M25 x2 PER HINGE
	NOTE: REFER TO PAGE 16 FOR THIS ITEM	
.25	⑬ 4747D8321	LOUVERED REFRIGERATOR VENT PANEL
.25	⑭ 4754-6411	LOUVERED DOOR (REFRIGERATOR VENT)
.05	4753-9161	CLEAR HINGE SEAL 19" PC.
	⑯ 4745-3968	SCREW (ARCTIC WHITE)
.25	⑰ 4750-2951	O/S SHOWER DOOR & FRAME
	4750A2961	LOCK ASSY. (WITH KEY)
.50	4741D96568	EXPANSION RIVET M25
.10	⑱ 4741B2071	SHOWER DIVERTER
.15	⑲ 4716-0448	SHOWER HOSE CONNECTOR
.20	⑳ 4750-1761	SHOWER HEAD BRKT.
.15	㉑ 4741B2051	SHOWER HOSE
	㉒ 4746A3761	SHOWER HEAD
.25	㉓ 4750-3331	AUXILIARY SHOWER BOX

FLAT RATE	DESCRIPTION
1.25	① 4733K50681 FRONT BULKHEAD
1.25	② 4733K50581 REAR BULKHEAD
.35	③ 4745B0811 RUBBER SEAL
	④ 4734C1861 RIVET M25
	⑤ 1203-8978 COUNTERSUNK RIVET M25
	⑥ 4744A050 TEK SCREW

1997 GRAND TOUR SERIES



FLAT RATE

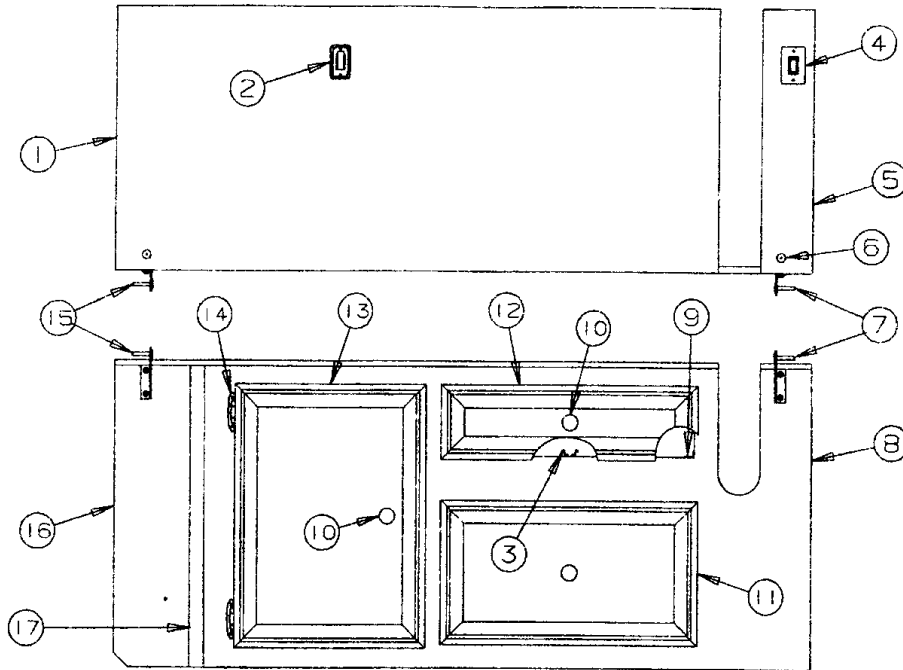
1.50	4755-6391	UPPER GALLEY ASSY. "COMPLETE"	3150 (W/OUT HOT WATER)
1.50	4755-6451	UPPER GALLEY ASSY. "COMPLETE"	3150 (W/HOT WATER)
1.50	4755-6131	UPPER GALLEY ASSY. "COMPLETE"	3192 (W/OUT HOT WATER)
1.50	4755-6151	UPPER GALLEY ASSY. "COMPLETE"	3192 (W/HOT WATER)
1.50	4755-5641	UPPER GALLEY ASSY. "COMPLETE"	3195

FLAT RATE

UPPER GALLEY ASSY. COMPONENTS 3150,92,95

1.50	①	4754-4271	GALLEY TOP 3150 W/HOT WATER	.75	⑮	4753A6551	GALLEY ANGLE x2 3195
1.50		4754B4261	GALLEY TOP 3150 W/OUT HOT WATER	.75		4752-9271	GALLEY ANGLE (LT.) 3150,92
1.50		4753-4361	GALLEY TOP 3192 W/HOT WATER	.75		4752-9261	GALLEY ANGLE (RT.) 3150,92
1.50		4753B4371	GALLEY TOP 3192 W/OUT HOT WATER			4734E1861	RIVET M25 "ELM"
1.50		4752-46481	GALLEY TOP 3195	.65	⑯	4716A0151	3/8" F-CHANNEL 24" PC.
		4060500084F	T-MOLDING (SOLD/FOOT)	.10	⑰	4745C26188	HINGE (SPRING LOADED)
.30	②	4710F0301	SINK 3150,92 (W/OUT HOT WATER)	.10	⑱	4748A3951	DOOR PULL (INCLUDES SCREW)
.30		4745B2801	SINK 3150,92,95 (W/HOT WATER)	.15	⑲	4754A6131	DOOR PNL. (USED PRIOR TO 10/09/96)
.05	③	4714B0661	CRUMB CUP	.15		4754B6131	DOOR PNL. (USED AFTER 10/09/96)
.50	④	4745D2741	MIXER FAUCET (W/HOT WATER)	.20	⑳	4742A8781	DRAIN HOSE (SOLD 8' LENGTHS)
.40	⑤	4734D0161	HAND PUMP 3150,92 (W/OUT HOT W.)	.25	㉑	4734A0671	DRAIN TRAP M2
	⑥	4716-081	SCREW x4	.25	㉒	4753-6531	HOLE COVER W/BRKT. 3195
.15	⑦	4741G60381	STOVE COVER 3150,95	.25	㉓	4753-5581	FLEXIBLE GAS HOSE (ALL)
.15		4741G6031	STOVE COVER 3192	.25	㉔	4753B2831	GALLEY SUPPORT LEG 3195
.05	⑧	4716-1851	STOVE GRATE x3	.15	㉕	4753-1351	CHAIN COVER "LEFT" 3195
.25	⑨	4741G4131	STOVE FIN	.15		4753-1341	CHAIN COVER "RIGHT" 3195
.25		4741A4401	HINGE	.15		4750-8951	CHAIN COVER "LEFT" 3150,92
		1203-8558	RIVET M25	.15		4750-8941	CHAIN COVER "RIGHT" 3150,92
.05	⑩	4716A0881	THUMB SCREW M6	.25	㉖	4744-44561	EYE BOLT M4 (ALL)
.15	⑪	1226D1538	STOVE FIN LATCH	.25		4744-9211	EYE BOLT BUSHING M2 (ALL)
		1203-8678	RIVET M25	.27	㉗	1201B6038	LOCKNUT x2 (ALL)
.15	⑫	4744E2401	3 BURNER COOK TOP			1202B2528	WASHER x2 (ALL)
.75		4739G2931	3 BURNER STOVE BOX (ALL)	.50	㉘	4737A9238	LOWER SPROCKET x2 (ALL)
.05	⑬	4716-1861	KNOB	.50	㉙	4753-1361	CHAIN ASSY. 3195
.20	⑭	4733-4018	STOVE COVER LATCH	.50		4754-6441	CHAIN ASSY. 3150,92
		1203-8558	RIVET M25	.50	⑳	4737B9238	UPPER SPROCKET x2 (ALL)
.10		4733-4028	STOVE COVER STRIKE	1.00	㉛	4753-1371	GALLEY LIFT BAR 3195
				1.00		4754-4251	GALLEY LIFT BAR 3150,92
				.20	㉜	4064700489F	PVC VINYL SEAL SOLD/FT.

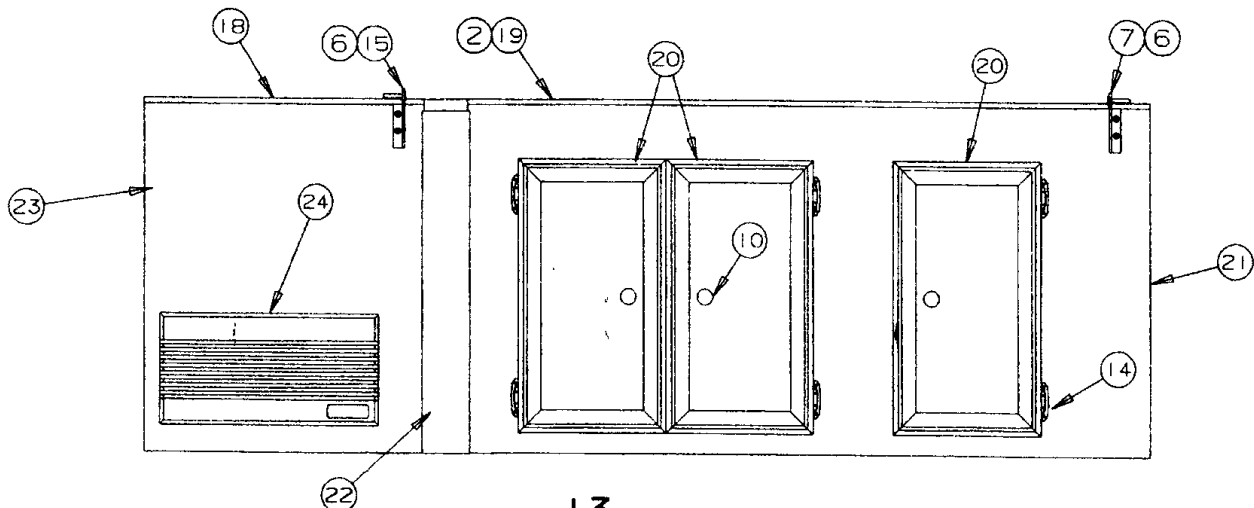
REPAIR PARTS/FLAT RATE



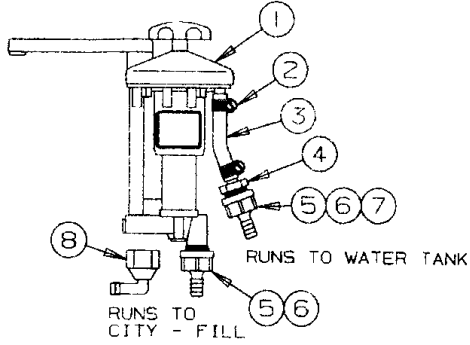
* USED PRIOR TO S/N - 08451
 ** USED STARTING W/ S/N - 08451

FLAT RATE LOWER GALLEY ASSY. COMPONENT PARTS - 3150,3192,3195

75	① 4752A4591	LOWER GALLEY TOP 3195	.60	⑮ 4753B5491	GALLEY BRACKET "LEFT"
20	② 4746A0971	KILL SWITCH & MOUNTING BRKT.	.50	⑯ 4752A875	LOWER GALLEY FRNT. "SMALL" 3195
	4738-3088	SCREW x2	.65	⑰ 4753-330	H-CHANNEL 3195
.25	③ 4754-0721	DRAWER GUIDE 23" MUST CUT TO SIZE	.50	⑱ 4755-0691	LOWER GALLEY TOP (SM.LT.) 3192
	4738-3088	SCREW x2	.50	4754-4301	LOWER GALLEY TOP (SM.RT.) 3150
.20	④ 4733C4981	ROCKER SWITCH		4747-8941	BLACK PLASTIC CAP
.50	⑤ 4752A9911	LOWER GALLEY TOP (SMALL) 3195	.75	⑲ 4755-0681	LOWER GALLEY TOP (LG.RT.) 3192
	4744B4608	RIVET M25 "ELM"	.75	4755-1381	LOWER GALLEY TOP (LG.LT.) 3150
.60	⑦ 4753B5481	GALLEY BRACKET "RIGHT"	.15	⑳ 4752A6971	DOOR PNL. x3 - 3150,3192
1.00	⑧ 4752C4541	LOWER GALLEY FRONT (LARGE) 3195	.15	4752B6971	DOOR PNL. x3 - 3150,3192
.05	⑨ 4749-8398	PLASTIC CORNER TACK			NOTE: DOOR PNL. USED PRIOR TO 10/09/96
.10	⑩ 4748A3951	DOOR PULL (INCLUDES SCREW)	.15		NOTE: DOOR PNL. USED AFTER 10/09/96
.10	⑪ 4754A6141	DRAWER 3195 (USED PRIOR TO 10/09/96)	1.00	㉑ 4755-0711	LOWER GALLEY FRNT. (LG.RT.) 3192
.10	4754B6141	DRAWER 3195 (USED AFTER 10/09/96)	1.00	4755-1371	LOWER GALLEY FRNT. (LG.LT.) 3150
.10	⑫ 4753C5301	DRAWER 3195 (USED PRIOR TO 10/09/96)	.25	㉒ 4750-6731	FILLER ASSY. 3150,3192
.10	4753D5301	DRAWER 3195 (USED AFTER 10/09/96)	.50	㉓ 4755A0701	LOWER GALLEY FRNT. (SM.LT.) 3192
.15	⑬ 4753A5391	DOOR PNL. 3195 (USED PRIOR TO 10/09/96)	.50	* 4755-1361	LOWER GALLEY FRNT. (SM.RT.) 3150
.15	4753B5391	DOOR PNL. 3195 (USED AFTER 10/09/96)	.50	** 4753-9931	LOWER GALLEY FRNT. (SM.RT.) 3150
.10	⑭ 4745C26188	HINGE (SELF CLOSING)		㉔	NOTE: REFER TO PAGE 20 FOR THIS ITEM



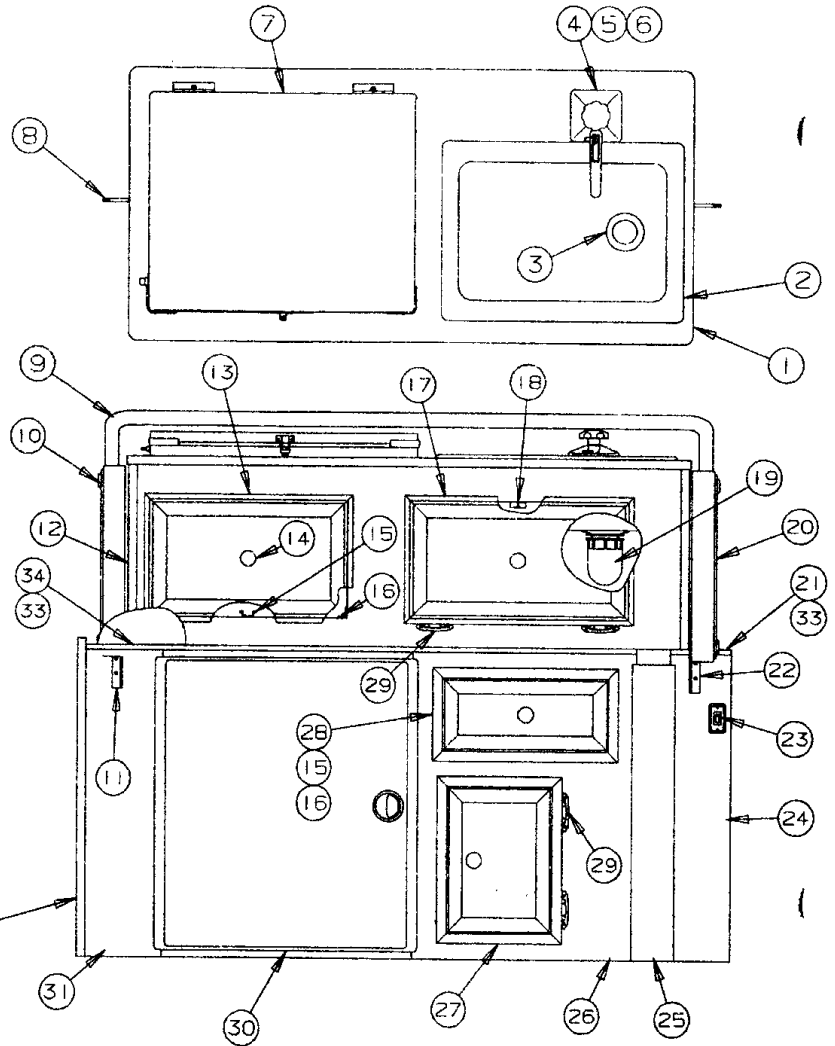
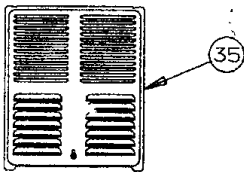
1997 GRAND TOUR SERIES



HAND PUMP & RELATED PARTS

- .40 ① 4734D0161 HAND PUMP
- 4716-081 SCREW x4
- ② 4731-3058 ADJUSTABLE HOSE CLAMP
- .35 ③ 4714-338 3/8" H.P. HOSE (SOLD/FT.)
- .20 ④ 4732-4561 MALE ADAPTER
- .20 ⑤ 4741-9568 BARBED ADAPTER
- .20 ⑥ 1202-5828 RUBBER WASHER
- .20 ⑦ 4754-4418 ROUND FILTER SCREEN
- .20 ⑧ 4741-2351 STREET ELBOW

TO ORDER REPAIR PARTS
FOR MODEL # 150-000-00 SHURFLO PUMP
CALL: 1-800-854-3218 GARDEN GROVE, CA.
CALL: 1-800-762-8094 ELKHART, IN.



4752B6781 UPPER GALLEY ASSY. W/OUT HOT WATER
4752-67881 UPPER GALLEY ASSY. W/HOT WATER

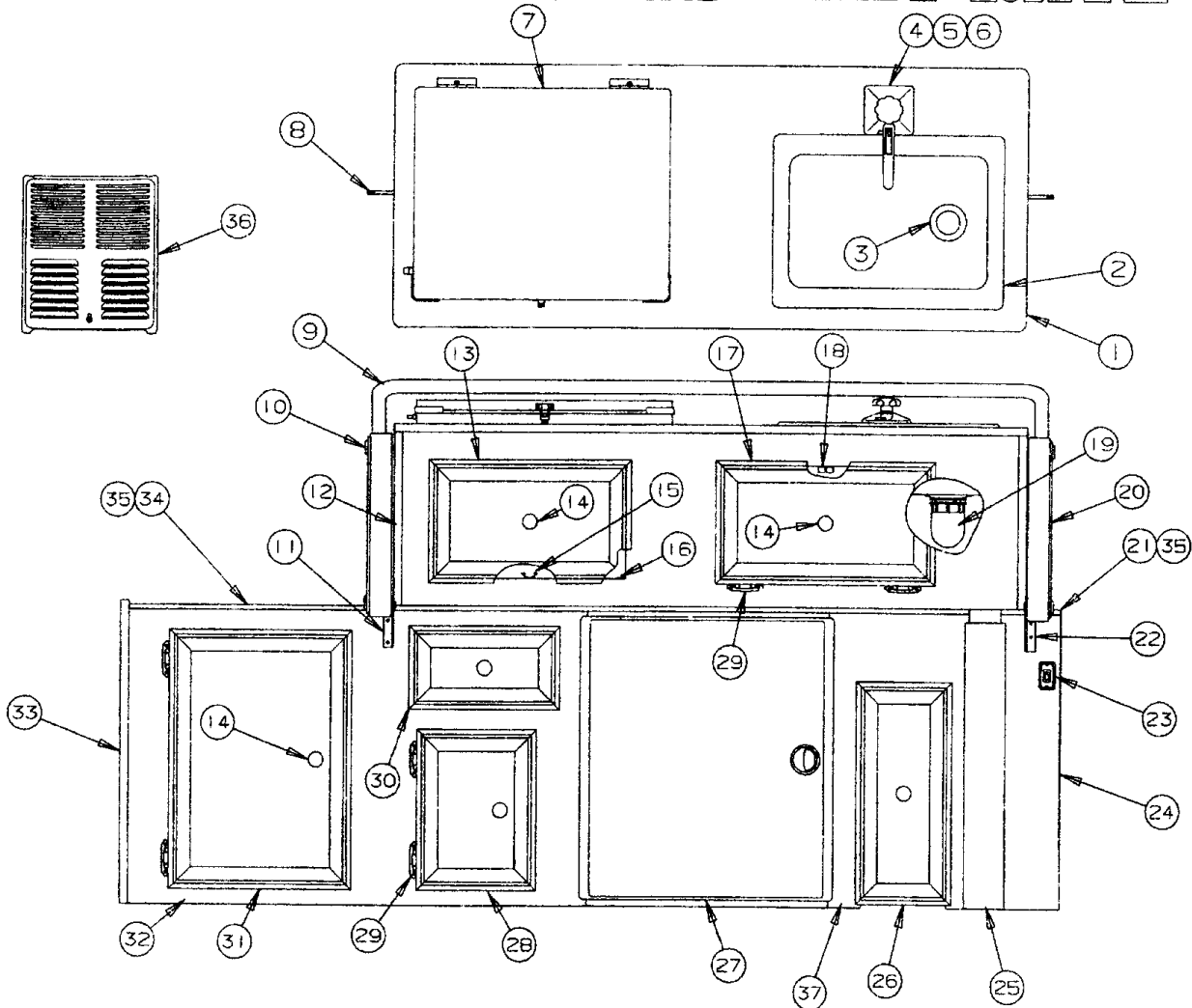
UPPER & LOWER GALLEY ASSY. - 3142
UPPER GALLEY ASSY. COMPONENTS

FLAT RATE 1.50 UPPER GALLEY ASSY. COMPLETE

FLAT RATE

- | | |
|---|---|
| <ul style="list-style-type: none"> 1.50 ① 4752B9071 UPPER GALLEY TOP (W/OUT HOT WATER) 1.50 4753-9221 UPPER GALLEY TOP (W/ HOT WATER) .25 4060500084F T-MOLDING (SOLD/FOOT) .30 ② 4710F0301 SINK (W/OUT HOT WATER) .30 4745B2801 SINK (W/HOT WATER) .05 ③ 4714B0661 CRUMB CUP .40 ④ 4734D0161 HAND PUMP (W/OUT HOT WATER) ⑤ 4716-081 SCREW x4 .50 ⑥ 4745D2741 MIXER FAUCET (W/HOT WATER) .15 ⑦ 4741G60381 STOVE COVER NOTE: REFER TO PAGE 12 FOR STOVE COMPONENTS .75 ⑧ 4752-9271 GALLEY ANGLE "LEFT" .75 4752-9261 GALLEY ANGLE "RIGHT" 4734E1861 PAINTED RIVET M25 1.00 ⑨ 4752A9301 GALLEY LIFT BAR .50 4754-6441 LIFT BAR CHAIN x2 .15 ⑩ 4750-8951 PLASTIC CHAIN COVER "LEFT" .60 ⑪ 4753B5491 GALLEY BRACKET "LEFT" .65 ⑫ 4716A0151 3/8" F-CHANNEL 24" PC. .10 ⑬ 4752B6921 DRAWER (USED PRIOR TO 10/09/96) .10 4752C6921 DRAWER (USED AFTER 10/09/96) .10 ⑭ 4748A3951 DOOR PULL (INCLUDES SCREW) .25 ⑮ 4754-0721 DRAWER GUIDE (MUST CUT TO SIZE) .05 ⑯ 4749-8398 PLASTIC CORNER TACK | <ul style="list-style-type: none"> .15 ⑰ 4754A6171 DOOR PNL. (USED PRIOR TO 10/09/96) .15 4754B6171 DOOR PNL. (USED AFTER 10/09/96) .15 ⑱ 4733-6391 LATCH & STRIKE PKG. .25 ⑲ 4734A0671 DRAIN TRAP M2 .20 4742A8781 DRAIN HOSE (SOLD 8' LENGTHS) .15 ⑳ 4750-8941 PLASTIC CHAIN COVER "RIGHT" .50 ㉑ 4752B923 LOWER GALLEY TOP (SMALL) .60 4753B5481 GALLEY BRACKET "RIGHT" .20 ㉓ 4751-1161 "LIGHTED" ROCKER SWITCH 4738-3088 SCREW x2 .45 ㉔ 4753A954 LOWER GALLEY FRONT .25 4750-6731 FILLER ASSY. .50 ㉖ 4752D910 LOWER GALLEY FRONT .15 ㉗ 4752A6901 DOOR PNL. (USED PRIOR TO 10/09/96) .15 4752B6901 DOOR PNL. (USED AFTER 10/09/96) .10 ㉘ 4752B6931 DRAWER (USED PRIOR TO 10/09/96) .10 4752C6931 DRAWER (USED AFTER 10/09/96) .10 ㉙ 4745C26188 HINGE (SPRING LOADED) .50 ㉚ 4754A0481 BUILT-IN COOLER 1.50 ㉛ 4754B328 LOWER GALLEY FRONT "LEFT" .75 ㉜ 4752-9111 SEAT GAZOODI ㉝ 4744B4608 PAINTED RIVET M25 .75 ㉞ 4752B9081 LOWER GALLEY TOP (LARGE) .20 4746A0971 KILL SWITCH .10 ㉟ 4743-3551 FURNACE GRILL "ELM" |
|---|---|

REPAIR PARTS/FLAT RATE



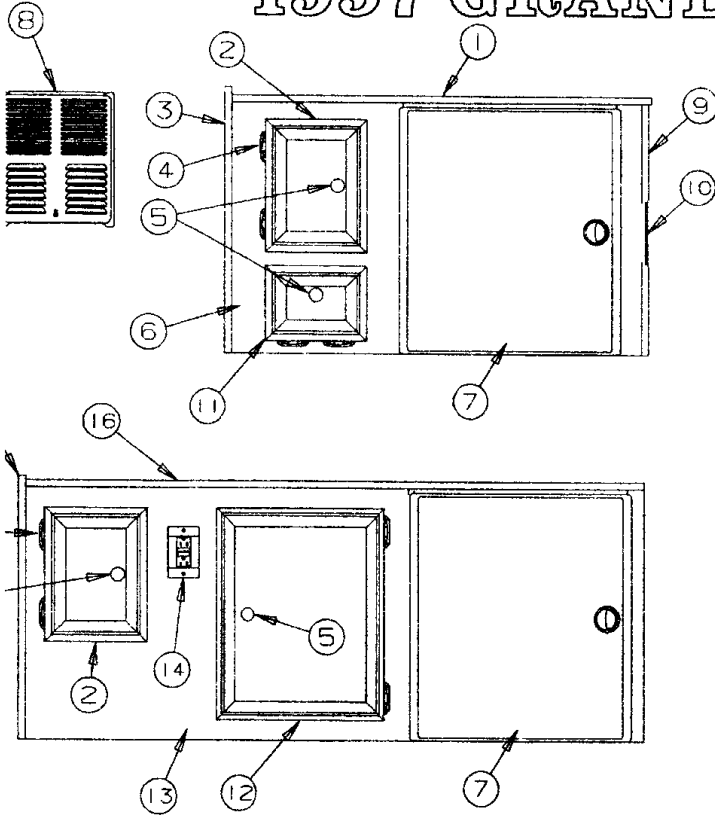
FLAT RATE 1.50 UPPER GALLEY ASSY. COMPLETE
 UPPER & LOWER GALLEY ASSY. - 3141
 UPPER GALLEY ASSY. COMPONENTS

4753B6411 UPPER GALLEY ASSY. W/OUT HOT WATER
 4753-5721 UPPER GALLEY ASSY. W/HOT WATER

FLAT RATE	Part Number	Description
1.50	① 4753B222B1	UPPER GALLEY TOP (W/OUT HOT WATER)
1.50	4753-9121	UPPER GALLEY TOP (W/ HOT WATER)
.25	4060500084F	T-MOLDING (SOLD/FOOT)
.30	② 4710F0301	SINK (W/OUT HOT WATER)
.30	4745B2801	SINK (W/HOT WATER)
.05	③ 4714B0661	CRUMB CUP
.40	④ 4734D0161	HAND PUMP (W/OUT HOT WATER)
	⑤ 4716-081	SCREW x4
.50	⑥ 4745D2741	MIXER FAUCET (W/HOT WATER)
.15	⑦ 4741G60381	STOVE COVER
	NOTE: REFER TO PAGE 12 FOR STOVE COMPONENTS	
.75	⑧ 4752-9271	GALLEY ANGLE "LEFT"
.75	4752-9261	GALLEY ANGLE "RIGHT"
	4734E1861	PAINTED RIVET M25
1.00	⑨ 4753A2701	GALLEY LIFT BAR
.50	4754-6441	LIFT BAR CHAIN x2
.15	⑩ 4750-8951	PLASTIC CHAIN COVER "LEFT"
.60	⑪ 4753B5491	GALLEY BRACKET "LEFT"
.65	⑫ 4716A0151	3/8" F-CHANNEL 24" PC.
.10	⑬ 4752B6921	DRAWER (USED PRIOR TO 10/09/96)
.10	4752C6921	DRAWER (USED AFTER 10/09/96)
.10	⑭ 4748A3951	DOOR PULL (INCLUDES SCREW)
.25	⑮ 4754-0721	DRAWER GUIDE (MUST CUT TO SIZE)
.05	⑯ 4749-8398	PLASTIC CORNER TACK
.10	⑰ 4754A6171	DOOR PNL. (USED PRIOR TO 10/09/96)
.10	4754B6171	DOOR PNL. (USED AFTER 10/09/96)
.15	⑱ 4733-6391	LATCH & STRIKE PKG.
.25	⑲ 4734A0671	DRAIN TRAP M2
.20	4742A8781	DRAIN HOSE (SOLD 8' LENGTHS)
.15	⑳ 4750-8941	PLASTIC CHAIN COVER "RIGHT"
.50	㉑ 4752B923	LOWER GALLEY TOP "RIGHT"
.60	㉒ 4753B5481	GALLEY BRACKET "RIGHT"
.20	㉓ 4751-1161	"LIGHTED" ROCKER SWITCH
	4738-3088	SCREW x2
.45	㉔ 4753A954	LOWER GALLEY FRONT
.25	㉕ 4750-6731	FILLER ASSY.
.25	㉖ 4753A6421	PANTRY (USED PRIOR TO 10/09/96)
.25	4716A6421	PANTRY (USED AFTER 10/09/96)
.15	4744A9261	KNUCKLE LATCH (PLASTIC)
.25	4752-3871	METAL SLIDE TRACK
.50	㉗ 4754A0481	BUILT-IN COOLER
.15	㉘ 4752A6901	DOOR PNL. (USED PRIOR TO 10/09/96)
.15	4752B6901	DOOR PNL. (USED AFTER 10/09/96)
.10	㉙ 4745C2618B	HINGE (SPRING LOADED)
.10	㉚ 4754A6181	DRAWER (USED PRIOR TO 10/09/96)
.10	4754B6181	DRAWER (USED AFTER 10/09/96)
.15	㉛ 4753A5391	DOOR PNL. (USED PRIOR TO 10/09/96)
.15	4753B5391	DOOR PNL. (USED AFTER 10/09/96)
1.50	㉜ 4753C2271	LOWER GALLEY FRONT "LEFT"
.75	㉝ 4752-9111	SEAT GAZOOD1
.75	㉞ 4753B2291	LOWER GALLEY TOP
	4744B4608	PAINTED RIVET M25
.10	㉟ 4743-3551	FURNACE GRILL "ELM"
1.50	㊱ 4753C2281	LOWER GALLEY FRT.

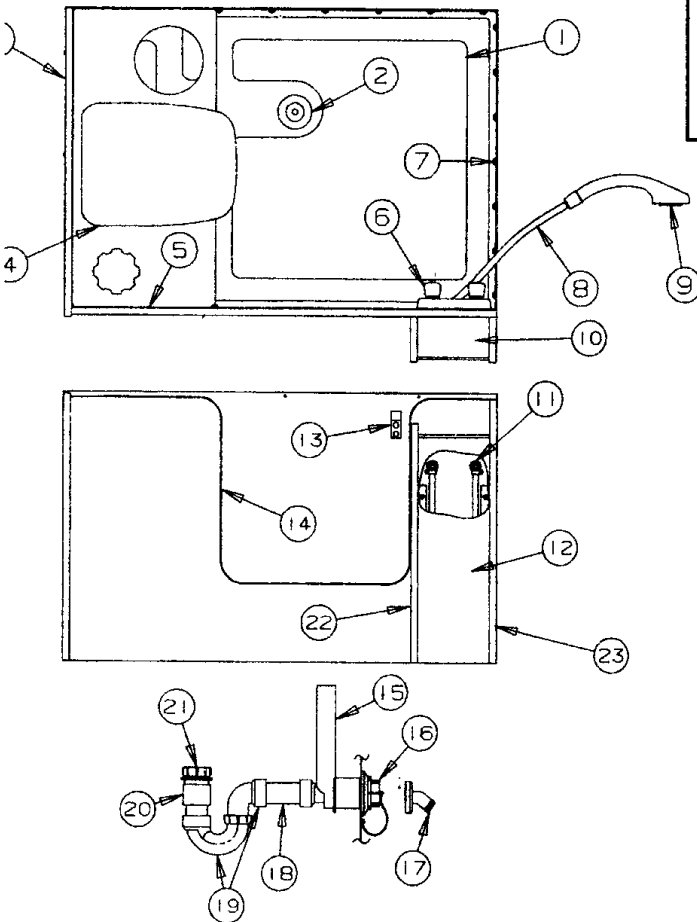
1997 GRAND TOUR SERIES

*USED ON TRLRS. PRIOR TO 10/09/96
 **USED ON TRLRS. AFTER 10/09/96



FLAT RATE ROADSIDE HUTCH ASSEMBLY 3150,92,95

1.50	①	4755-1161	HUTCH TOP 3150
1.50		4752A4601	HUTCH TOP 3192
		4747-8941	BLACK PLASTIC CAP M2
.25		4060500084F	T-MOLDING (SOLD/FOOT)
.15	②	*4752A6901	DOOR PANEL 3150,92,95
.15		**4752B6901	DOOR PANEL 3150,92,95
.60	③	4755A1181	HUTCH SIDE 3150, 92
.10	④	4745C26188	HINGE (SPRING LOADED)
.10	⑤	4748A3951	DOOR PULL (INCLUDES SCREW)
1.50	⑥	4752C4551	HUTCH FRONT 3192
1.50		4755A1201	HUTCH FRT.3150 ONE DR. CUTOUT
1.50		4755B1201	HUTCH FRT.3150 TWO DR. CUTOUT
.50	⑦	4754A0481	BUILT-IN COOLER
.10	⑧	4743-3551	FURNACE GRILL "ELM"
.65	⑨	4716A0151	F-CHANNEL 24" PC.
.60	⑩	4752B457	HUTCH SIDE RT. 3192
.60		4755A117	HUTCH SIDE LT. 3150
.15	⑪	*4755-6741	DOOR PANEL 3150,92
.15		**4755A6741	DOOR PANEL 3150,92
.15	⑫	*4753A5391	DOOR PANEL 3195
.15		**4753B5391	DOOR PANEL 3195
1.50	⑬	4753B2801	HUTCH FRONT 3195
.35	⑭	4746A3841	GFI RECEPTACLE 3195
.60	⑮	4753-2821	HUTCH SIDE 3195
1.50	⑯	4753-2791	HUTCH TOP 3195

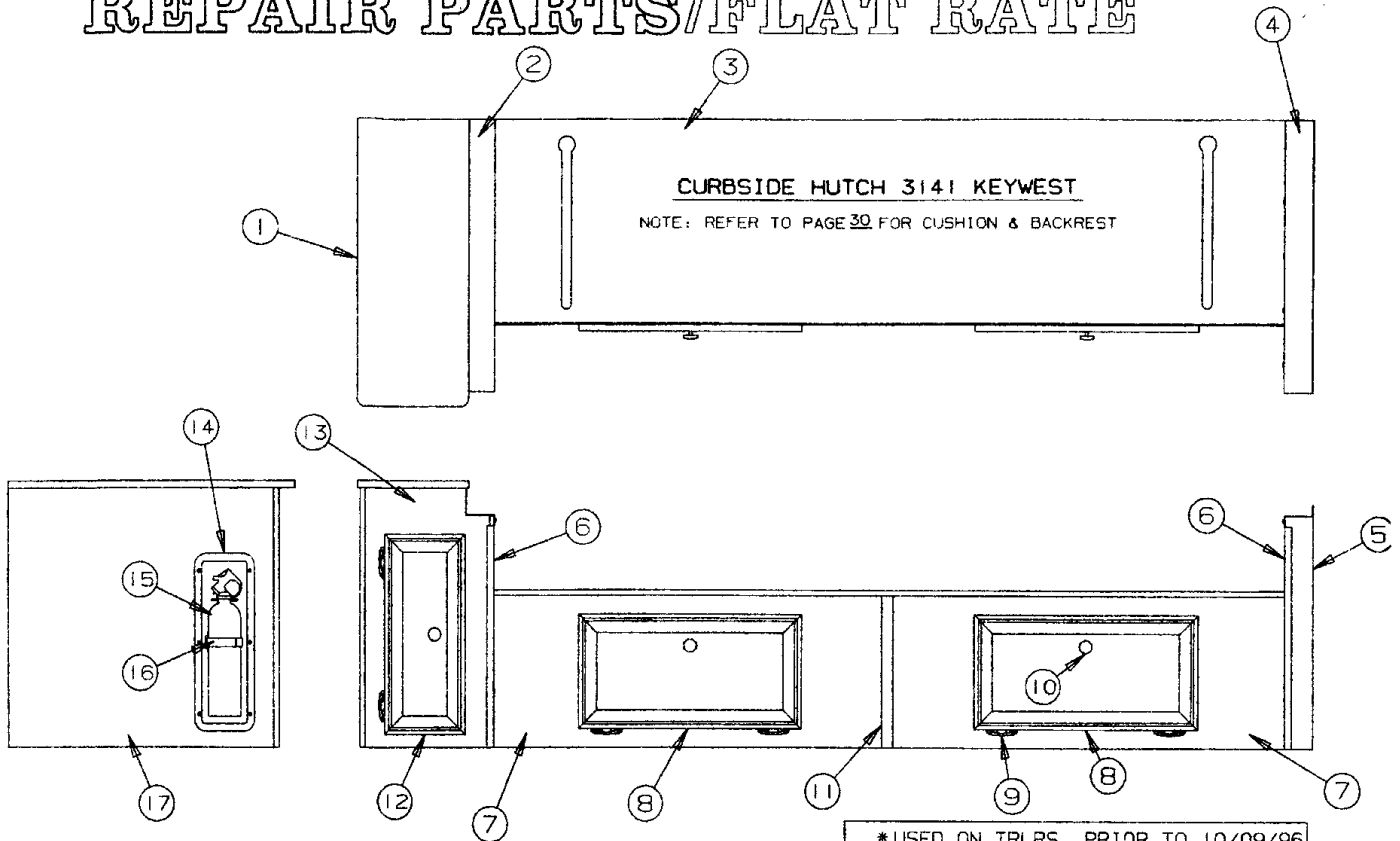


.40 SHOWER COVER BOARD ASSY. (4755A5671)
 ATTACHED TO FRONT BED
 .15 TOWEL BAR x1 (4734D0991)
 .15 BLACK VINYL SCREW CAP M6 (4739A4191)
 .15 HOLD UP STRAP x1 (4755A5681)
 .15 MOUNTING BRACKET W/ RIVETS (4746B8621)

FLAT RATE POTTI/SHOWER CABINET-3195 NIAGARA

1.50	①	4753-3491	SHOWER PAN
		4060000406F	TUB SEAL SOLD/FOOT
.50	②	4746A1821	BASKET & STRAINER
2.00	③	4754-3861	SHOWER WALL
.75	④	4746C2461	CASSETTE POTTI
.50	⑤	4600000403F	1/4" FOAM TAPE SOLD/FOOT
.50	⑥	4741B2071	SHOWER DIVERTER
.10		4716-0848	SHOWER HOSE CONNECTOR
	⑦	4739E2908	SCREW CAP
		4739-2918	SCREW CAP WASHER
.20	⑧	4741B2051	SHOWER HOSE (69" LENGTH)
.15	⑨	4746A3761	SHOWER HEAD W/BACKET
.10	⑩	4755A0051	TOP SHELF
	⑪	NOTE:REFER TO PAGE 29 FOR THIS ITEM	
.25	⑫	4755A0161	LUAN FACE PLATE
		4060015601	5/32" U-CHANNEL
.10	⑬	4720A0721	COOLER CLIP M2
1.50	⑭	4753B4951	SHOWER THRESHOLD
.25		4060400086F	LIPPED T-MOLDING SOLD/FT.
1.00	⑮	4741B9301	VENT SYSTEM
.10	⑯	4714A2861	CAP & STRAP
		4749-4131	SHOWER DRAIN GASKET
	⑰	4737-9138	DRAIN ADAPTER
1.00	⑱	1/2" DRAIN PIPE (PURCHASE LOCALLY)	
.40	⑲	4752-3621	P-TRAP W/UNION JOINT
.50	⑳	4746-4991	1 1/2" COUPLER
.50	㉑	4741A9331	TRAP ADAPTER
		4752-3631	RUBBER WASHER
.25	㉒	4755-0061	CABINET SIDE LT.
.50	㉓	4755A0071	CABINET SIDE RT.

REPAIR PARTS/FLAT RATE

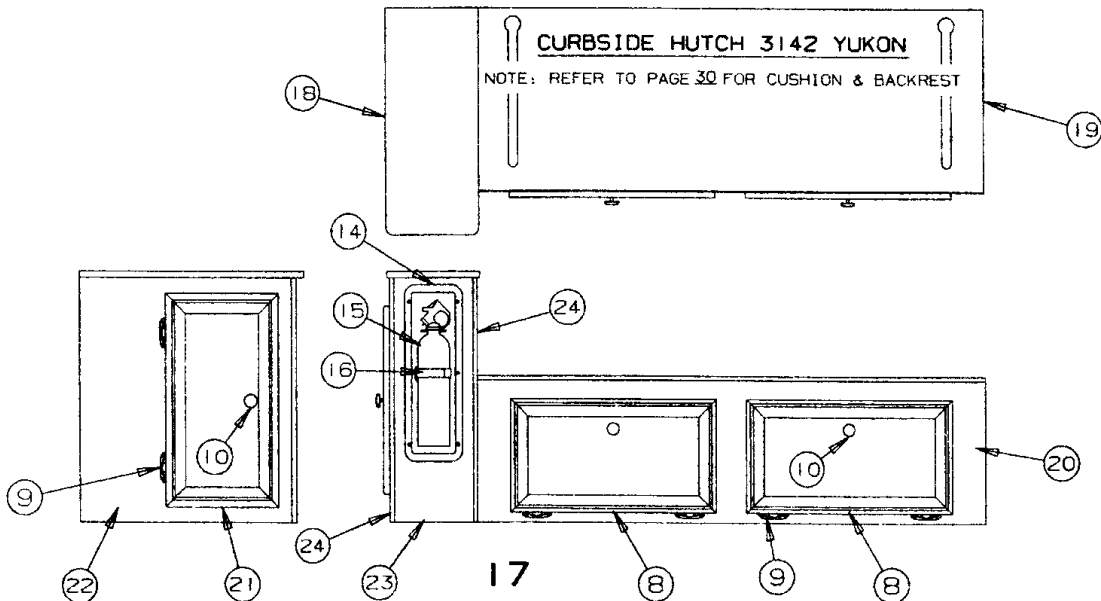


FLAT RATE

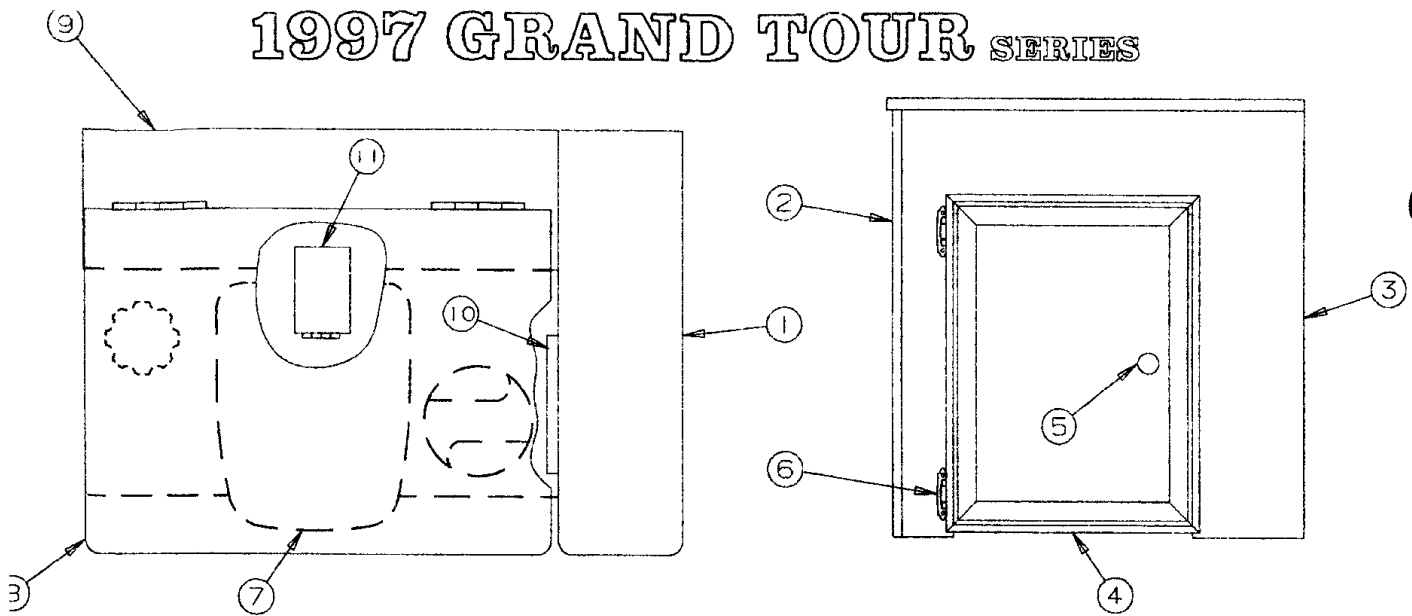
CURBSIDE HUTCH/BENCH COMPONENTS - 3141, 3142

*USED ON TRLRS. PRIOR TO 10/09/96
**USED ON TRLRS. AFTER 10/09/96

.25	①	4755-1241	HUTCH CABINET TOP 3141	.35	⑬	4755-122	CABINET FRONT 3141
.15		4060500084F	T-MOLDING SOLD /FOOT	.15	⑭	4737B4198	RECESSED MOUNT
.25	②	4755-1291	HUTCH TRIM (LEFT) 3141			4738-3088	SCREW x6
.75	③	4755-126	CUSHION SUPPORT W/SLOTS 3141	.10	⑮	4737A5558	FIRE EXTINGUISHER
.25	④	4755-1301	HUTCH TRIM (RIGHT) 3141	.05	⑯	4716-1191	FIRE EXTINGUISHER STRAP M2
.50	⑤	4755-125	WOOD TRIM 3141	.55	⑰	4755-123	CABINET SIDE 3141
.65	⑥	4716A0151	3/8" F-CHANNEL 24" PC.	.25	⑱	4752A9161	HUTCH CABINET TOP 3142
.50	⑦	4755-128	HUTCH FRONT x2 3141	.75	⑲	4754-303	CUSHION SUPPORT W/SLOTS 3142
.15	⑧	*4752A6971	DOOR PNL. x2 3141,42	.75	⑳	4752C912	HUTCH FRONT 3142
.15		**4752B6971	DOOR PNL. x2 3141,42	.15	㉑	*4754A6151	DOOR PANEL 3142
.10	⑨	4745C26188	HINGE (SELF CLOSING)	.15		**4754B6151	DOOR PANEL 3142
.10	⑩	4748A3951	DOOR PULL (INCLUDES SCREW)			4733-6391	LATCH & STRIKE PKG.
.50	⑪	4754-316	PANEL CONNECTOR	.35	㉒	4752B913	CABINET SIDE 3142
.15	⑫	*4755A5101	DOOR PANEL 3141	.35	㉓	4752B915	CABINET FRT. 3142
.15		**4755B5101	DOOR PANEL 3141	.35	㉔	4716-1421	5/32" F-CHANNEL 24" PC.



1997 GRAND TOUR SERIES



POTTI CABINET-3141 KEYWEST (CSF) COMPONENT PARTS

*USED ON TRLRS. PRIOR TO 10/09/96
**USED ON TRLRS. AFTER 10/09/96

FLAT
RATE

.25	①	4750A3871	POTTI CABINET TOP	.10	⑥	4745C26188	HINGE (SPRING LOADED)
.15		4060500084F	T-MOLDING (SOLD/FOOT)	.75	⑦	4746C2461	CASSETTE POTTI
.35	②	4716-1421	5/32" F-CHANNEL 24" PC.	.25	⑧	4754-4541	POTTI CABINET LID
.40	③	4751A9961	CABINET SIDE	.20		4750-3921	POTTI LID HINGE
.15	④	*4753A5391	DOOR PANEL	.10	⑨	4750B3891	POTTI WOOD FILLER
.15		**4753B5391	DOOR PANEL	.15	⑩	4750A391	WOOD LID SUPPORT RT./LT.
.15		4733-6391	LATCH & STRIKE PKG.	.15	⑪	4755-6911	CABINET LID PROP "ELM"
.10	⑤	4748A3951	DOOR PULL (INCLUDES SCREW)				

PANELING & TRIM

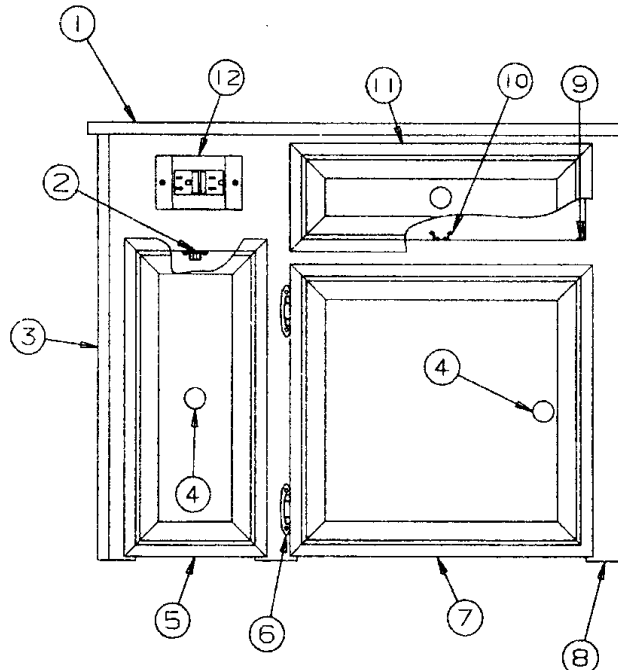
4716-1361 UNIVERSAL WALL PANEL 23 13/16" x48"
4716-1321 UNIVERSAL CORNER MOLDING M2 48" PCS.

*USED ON TRLRS. PRIOR TO 10/09/96
**USED ON TRLRS. AFTER 10/09/96

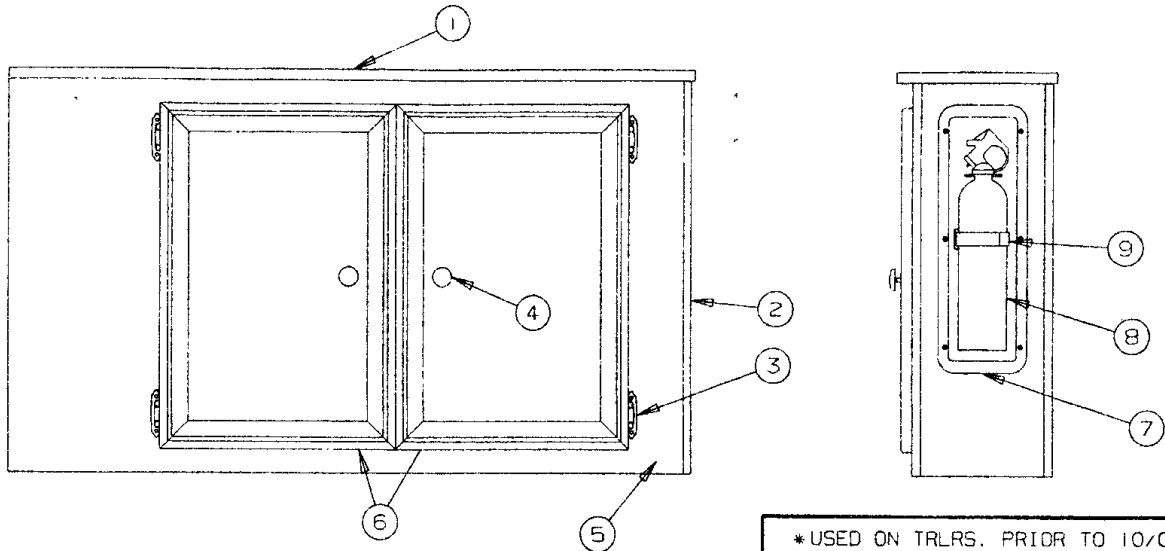
FLAT
RATE

CORNER CABINET 3142-YUKON (CSF) COMPONENT PARTS

.35	①	4752A9171	CABINET TOP
.15		4060500084F	T-MOLDING (SOLD/FOOT)
.15	②	4744A9261	KNUCKLE LATCH
		4738-3088	SCREW x2
.35	③	4716A0151	3/8" F-CHANNEL 24" PC.
.10	④	4748A3951	DOOR PULL (INCLUDES SCREW)
.25	⑤	*4753A6421	SLIDING PANTRY
.25		**4716A6421	SLIDING PANTRY
.25		4752-3871	METAL SLIDE TRACK
.10	⑥	4745C26188	HINGE (SPRING LOADED)
.15	⑦	*4752A6881	DOOR PANEL
.15		**4752B6881	DOOR PANEL
.15		4733-6391	LATCH & STRIKE PKG.
.75	⑧	4752B918	CABINET FRONT
.05	⑨	4749-8398	DRAWER SLIDE TACK
.25	⑩	4754-0721	DRAWER GUIDE (MUST CUT TO SIZE)
.10	⑪	*4753B5401	DRAWER ASSY.
.10		**4753C5401	DRAWER ASSY.
.35	⑫	4746A3841	G.F.I. RECEPTACLE

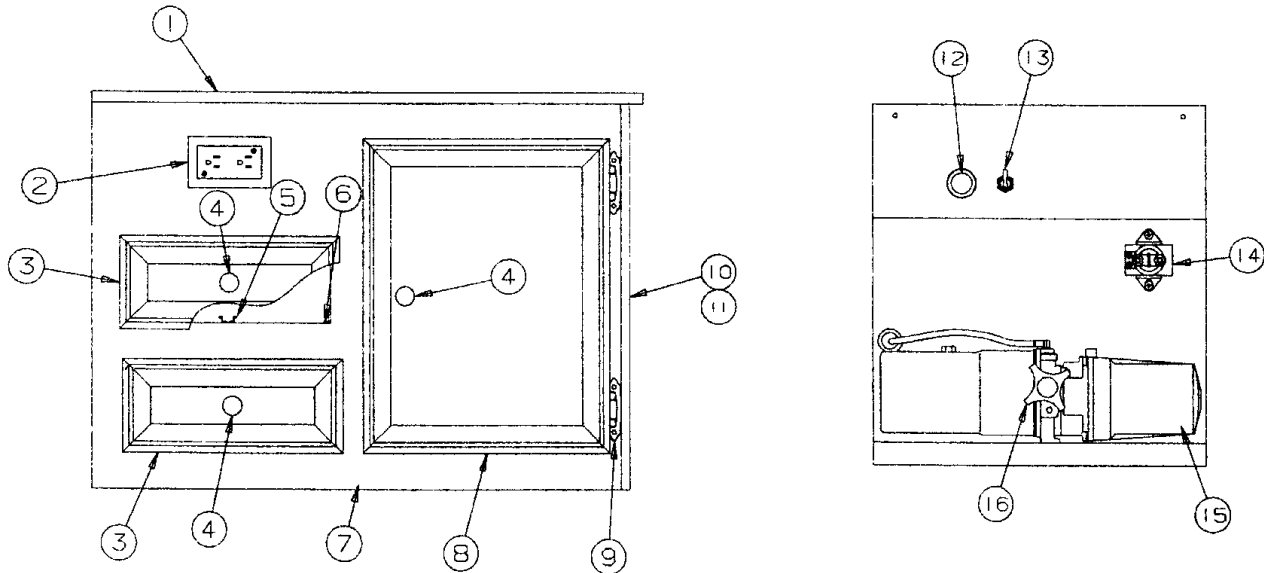


REPAIR PARTS/FLAT RATE



* USED ON TRLRS. PRIOR TO 10/09/96
 ** USED ON TRLRS. AFTER 10/09/96

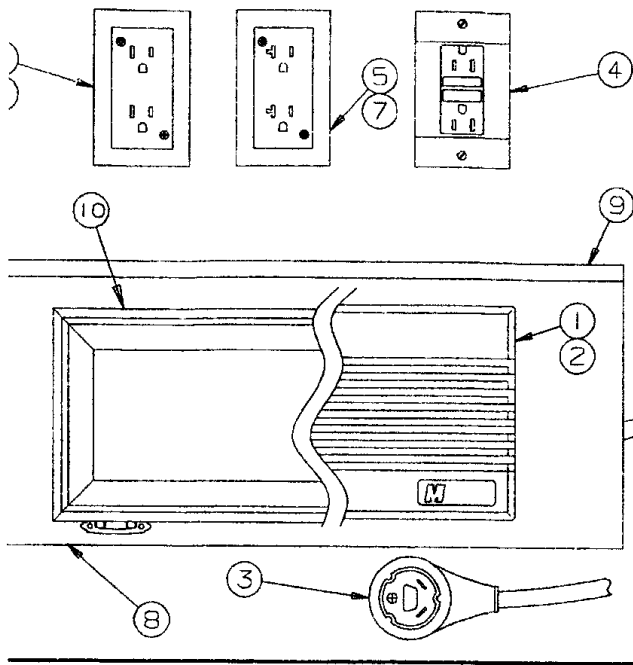
FLAT RATE	DOOR-WAY HUTCH ASSY. COMPONENTS - 3150,92,95	
.35	① 4752A4971	HUTCH TOP 3150,92
.35	4753A2371	HUTCH TOP 3195
.15	4060500084F	T-MOLDING (SOLD/FOOT)
.35	② 4716-1421	5/32" F-CHANNEL 24" PC.
.10	③ 4745C26188	HINGE (SPRING LOADED)
.10	④ 4748A3951	DOOR PULL (INCLUDES SCREW)
.50	⑤ 4752D469	CABINET SIDE 3150,92,95
.15	⑥ *4753A5391	DOOR PANEL
.15	**4753B5391	DOOR PANEL
.15	⑦ 4737B4198	RECESSED MOUNT
	4738-3088	SCREW x6
.10	⑧ 4737A5558	FIRE EXTINGUISHER
.05	⑨ 4716-1191	FIRE EXTINGUISHER STRAP M2



* USED ON TRLRS. PRIOR TO 10/09/96
 ** USED ON TRLRS. AFTER 10/09/96

FLAT RATE	(CSF) CORNER CABINET ASSEMBLY COMPONENTS - 3195	
.50	① 4753-2381	CABINET TOP
.25	4060500084F	T-MOLDING (SOLD/FOOT)
.25	② 4710B3551	15 AMP RECEPTACLE
.10	③ *4752B6931	DRAWER ASSY.
.10	**4752C6931	DRAWER ASSY.
.10	④ 4748A3951	DOOR PULL (INCLUDES SCREW)
.25	⑤ 4754-0721	DRAWER GUIDE (MUST CUT TO SIZE)
.05	⑥ 4749-8398	DRAWER SLIDE TACK
.75	⑦ 4753B2091	CABINET FRONT
.15	⑧ *4753A5391	DOOR PANEL
.15	**4753B5391	DOOR PANEL
.10	⑨ 4745C26188	HINGE (SPRING LOADED)
.55	⑩ 4716A0151	F-CHANNEL 24" PC.
.35	⑪ 4753B2081	CABINET SIDE
.65	⑫ 4751C8351	PUSH PULL RELEASE CABLE
.20	⑬ 4716-1681	TOGGLE SWITCH
.40	⑭ 4716-1661	12 VOLT SOLENOID
1.50	⑮ 4751B3371	HYDRAULIC PUMP-OILDYNE
1.50	4755-2141	HYDRAULIC PUMP-MONARCH
.35	⑯ 4716-1671	PUMP KNOB-OILDYNE
	1202B830	WASHER

1997 GRAND TOUR SERIES



FLAT RATE

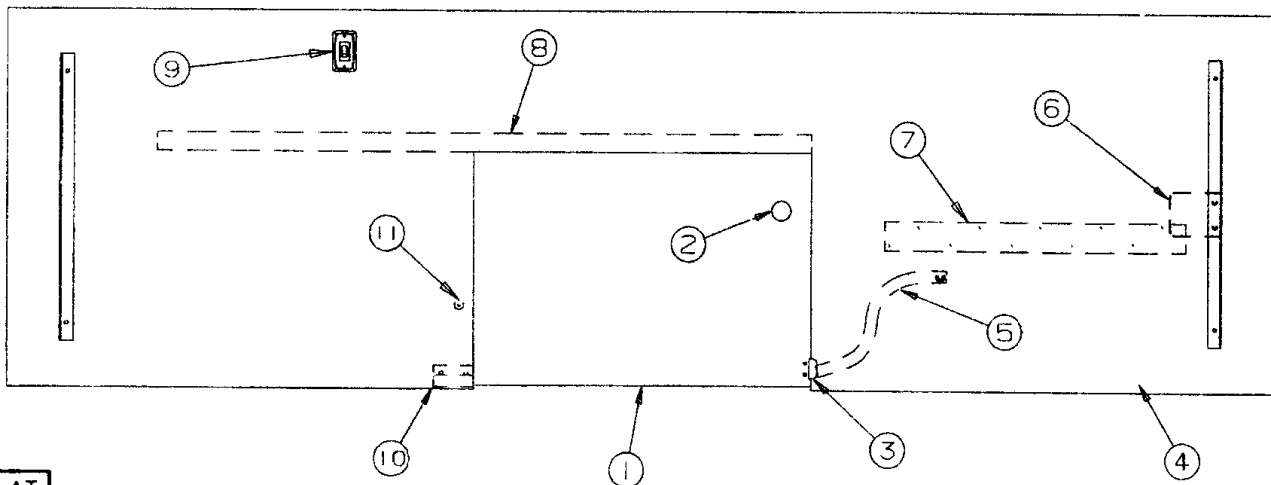
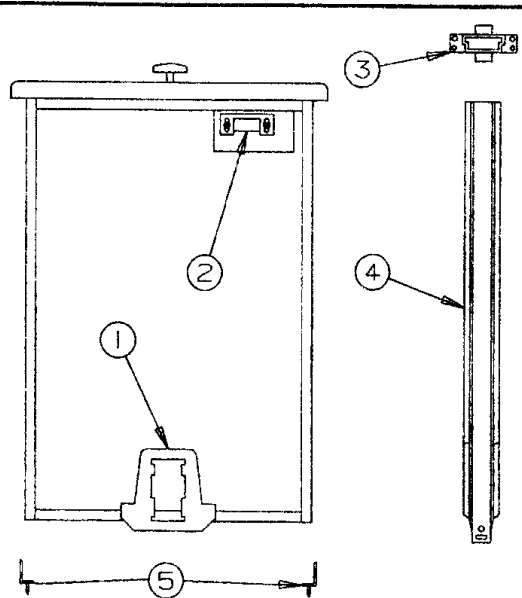
CONVERTER AND RELATED PARTS

1.00	① 4742A9811	CONVERTER 12 AMP(W/OUT HOT WATER)
1.00	4750A1111	CONVERTER 20 AMP(W/HOT WATER)
1.00	4753-8201	CONVERTER (HYDRAULIC MODELS)
.15	② 4716-1301	CONVERTER FACE COVER (PLASTIC)
.60	③ 4744-3101	POWER CORD 30 FT.(ALL)
.35	④ 4746A3841	GFI RECEPTACLE W/COVER (BROWN)
.25	⑤ 4744-3081	20 AMP RECEPTACLE W/COVER (BROWN)
.25	⑥ 4710B3551	15 AMP RECEPTACLE W/COVER (BROWN)
	⑦ 4746A3851	RECEPTACLE BOX
.50	⑧ 4753D1551	CONVERTER BOX FRONT (3195)
.50	⑨ 4753B1541	CONVERTER BOX TOP (3195)
.15	⑩ 4755-6931	DOOR PANEL 3195 USED PRIOR TO 10/09/96
.15	4755A6931	DOOR PANEL 3195 USED AFTER 10/09/96

FLAT RATE

DRAWER ASSY. COMPONENTS

.15	① 4749-8371	PLASTIC DRAWER GUIDE
.15	② 4749-8381	PLASTIC DRAWER LATCH
.15	③ 4749-8361	PLASTIC GUIDE SOCKET
.25	④ 4754-0721	METAL DRAWER GUIDE
.05	⑤ 4749-8398	PLASTIC CORNER TACK

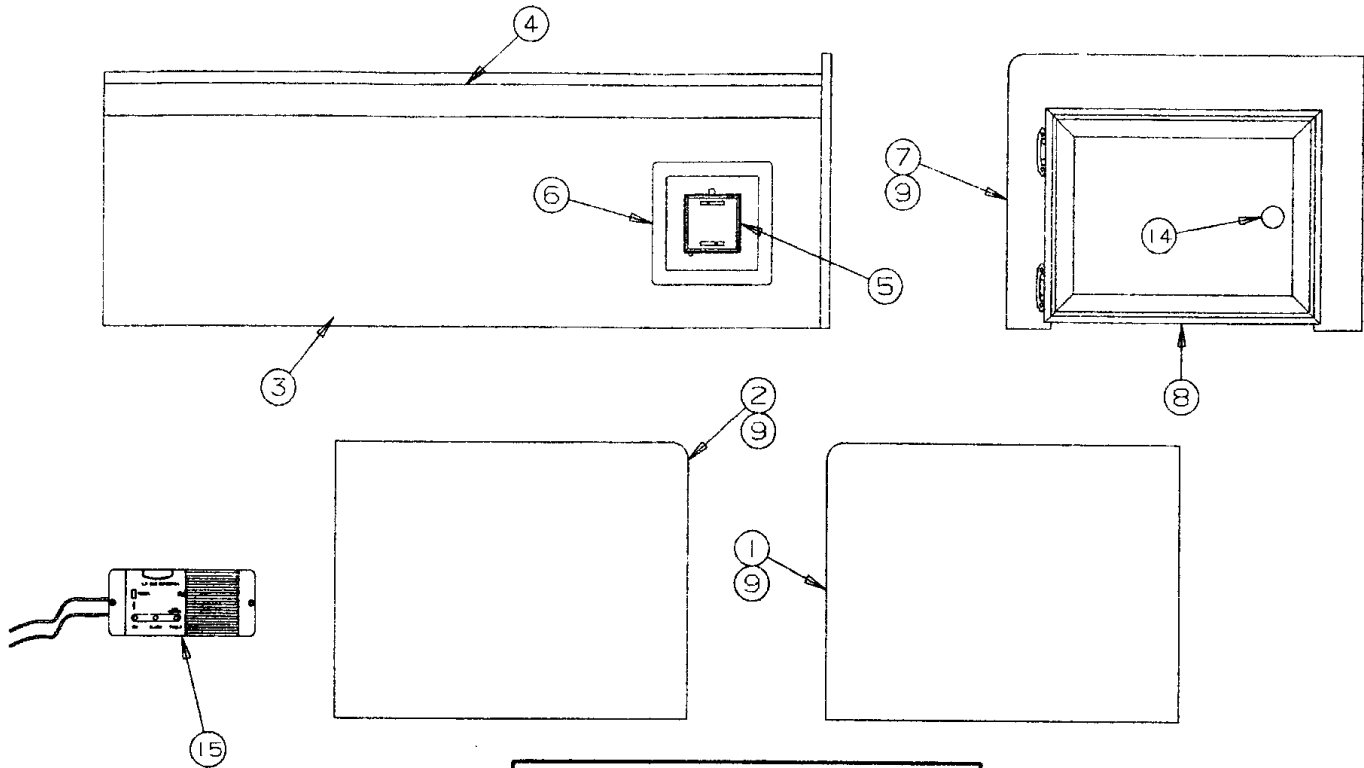


FLAT RATE

FRONT STORAGE WALL W/SLIDING DOOR - 3141, 3142, 3150, 3195

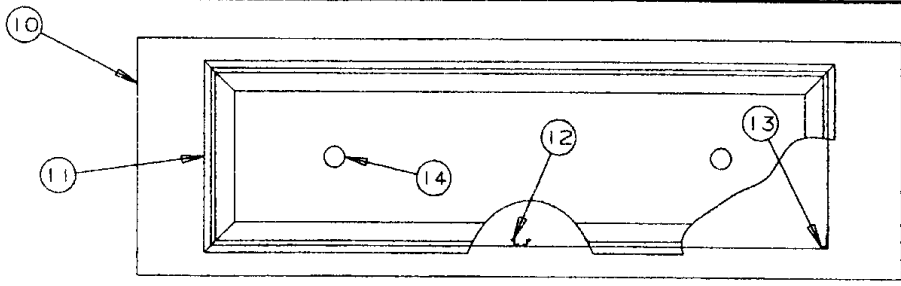
.25	① 4751D2691	SLIDING DOOR PANEL (ALL)	.15	⑥ 4753B2551	STOVE SUPPORT BRKT.
.10	② 4748A3951	DOOR PULL (INCLUDES SCREW)	.15	4733C41368	ELM TEK SCREW x2
.20	③ 4751-0901	DOOR CATCH	.15	⑦ 435000209	2" VELCRO LOOP SOLD/FT.
	4747B923	RIVET x2	.35	⑧ 4716-4021	DOOR SLIDE TRACK 48" PC.
4.00	④ 4753A8641	WOOD FRT. BULKHEAD 3141	.15	⑨ 4751-1161	"LIGHTED" ROCKER SWITCH
4.00	4751E2681	WOOD FRT. BULKHEAD 3142		4739-0528	SCREW x2
4.00	4755A1001	WOOD FRT. BULKHEAD 3150	.15	⑩ 4754-2861	DOOR BRKT. PKG.
4.00	4751E26881	WOOD FRT. BULKHEAD 3195			INCLUDES - BRKT., SCREWS, SCREW CAPS & WASHERS
.15	⑤ 4753A6391	STOVE STRAP	.05	⑪ 4710-2681	STOP BUTTON M5
	4744B4608	RIVET M25		1034B1612	SCREW
	1202B0268	WASHER x1			

REPAIR PARTS/FLAT RATE

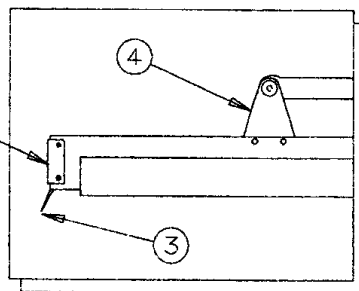
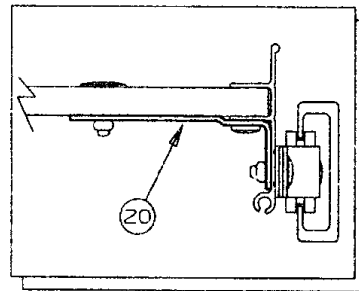
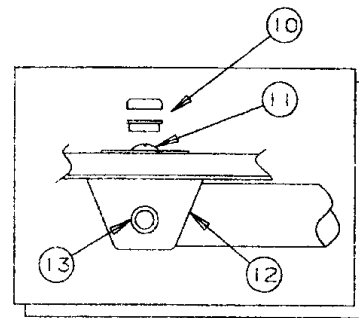
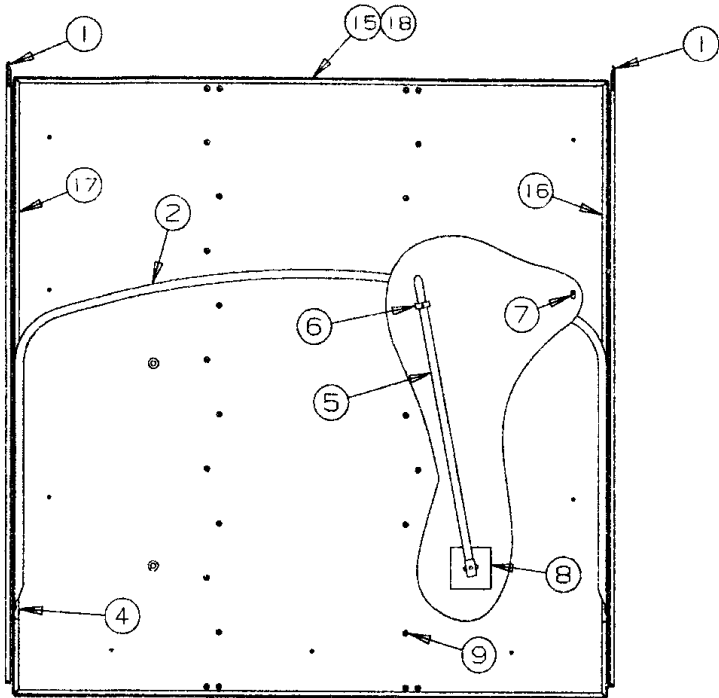


* USED ON TRLRS. PRIOR TO 10/09/96
 ** USED ON TRLRS. AFTER 10/09/96

FLAT RATE	SEAT BENCH COMPONENT PARTS	
.30	①	4755-1061 SEAT END CURBSIDE REAR 3150
.30		4752-4751 SEAT END CURBSIDE REAR 3192
.30		4752-9041 SEAT END CURBSIDE REAR 3195
.30		4752-9041 SEAT END ROADSIDE FRONT 3141,3142
.30	②	4755-1051 SEAT END CURBSIDE FRONT 3150
.30		4752-4711 SEAT END CURBSIDE FRONT 3192
.30		4752-9331 SEAT END CURBSIDE FRONT 3195
.30		4752-9331 SEAT END ROADSIDE REAR 3141
.50	③	4754-1361 SEAT PANEL (MUST CUT TO SIZE)
.50	④	4752-9001 TABLE REST 39" (ALL EXCEPT "RSR" BENCH 3142)
.50		4752A9061 TABLE REST "RSR" BENCH 3142 ONLY
.25	⑤	4752-8461 THERMOSTAT
.20	⑥	4747-8391 PLASTIC BASE & BRACKET
.40	⑦	4752B4771 SEAT END W/DOOR CUTOUT 3192
.40		4755-0991 SEAT END W/DOOR CUTOUT 3150
.15	⑧	* 4752B6351 DOOR PNL. 3150,92
.15		** 4752C6351 DOOR PNL. 3150,92
.10		4745C26188 HINGE (SPRING LOADED)
.15	⑨	4060450001F 1/2" LIPPED T-MOLDING (SOLD/FOOT)
.35	⑩	4752C478 CENTER SEAT FRONT 3150,3192
.10	⑪	* 4753B5451 DRAWER ASSY. 3150,3192
.10		** 4753C5451 DRAWER ASSY. 3150,3192
.25	⑫	4754-0721 DRAWER GUIDE 23" MUST CUT TO SIZE
.05	⑬	4749-8398 PLASTIC CORNER TACK
.10	⑭	4748A3951 DOOR PULL (INCLUDES SCREW)
.10	⑮	4753-9171 LP GAS DETECTOR



1997 GRAND TOUR SERIES

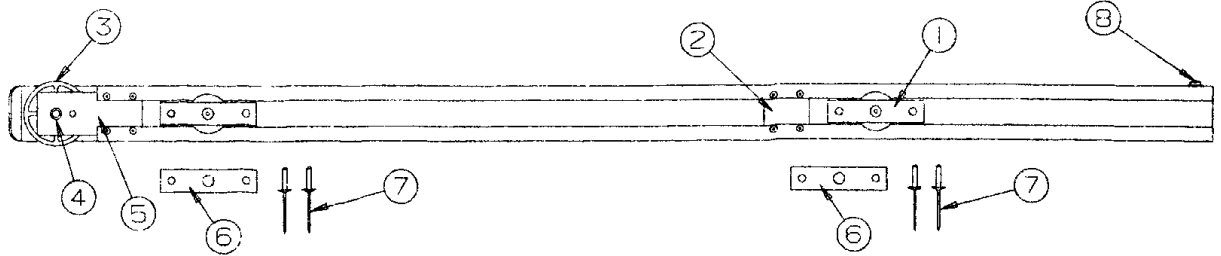


FLAT RATE	BED ASSEMBLIES COMPLETE		
.75	3142	475585171	FRONT BED (QUEEN)
.75	3142	4755A5141	REAR BED (DOUBLE)
.75	3150	4755A6771	FRONT BED (QUEEN)
.75	3150	4755A6791	REAR BED (QUEEN)
.75	3192	4755A51681	FRONT BED (QUEEN)
.75	3192,41,95	4755A5151	REAR BED (QUEEN)
.75	3141,95	4755A5201	FRONT BED (QUEEN)

FLAT RATE BED ASSEMBLY COMPONENTS

	①	NOTE: REFER TO BED EXTENSION CHART FOR THIS ITEM
.25	②	471481901 TENT BOW & LEG PACKAGE
.25	③	4060400339F VINYL BED SEAL (SOLD/FOOT)
.15	④	4720G5631 BED BOW BRACKET x2 (ALL)
.20	⑤	4734E5881 BED LEG ASSEMBLY x2 (USED ON 4755A51681, 475585171, 4755A5141, 4755A6771, 4755A5201)
.20		4753-3811 BED LEG ASSEMBLY (USED ON 4755A5151, 4755A6791)
.15	⑥	4720C0771 BED LEG CLIP M4 1203-8831 RIVET M25
.15	⑦	4720D4021 LASHING HOOK M6 1203-8741 RIVET M25
.20	⑧	4737A4178 SUPPORT PLATE
	⑨	1203C8721 RIVET M25
	⑩	4739C2908 SCREW CAP 4739-2918 SCREW CAP WASHER
	⑪	4716-074 SCREW 1202B2528 WASHER
.20	⑫	4734A5141 BED LEG BRACKET
.20	⑬	4720A2361 ROD & PAL NUT
.20	⑭	4753-8541 CORNER ANGLE x4 1203-8641 RIVET M25
.50	⑮	4753-4001 FRONT & REAR BED FRAME (ALL)
1.50	⑯	4753-4131 SIDE RAIL CURBSIDE REAR & ROADSIDE FRONT (QUEEN BED)
1.50		4753-4061 SIDE RAIL CURBSIDE (DOUBLE BED)
1.50	⑰	4753-4121 SIDE RAIL CURBSIDE FRONT & ROADSIDE REAR (QUEEN BED)
1.50		4753-4051 SIDE RAIL ROADSIDE (DOUBLE BED)
1.50	⑱	4739B4631 INSIDE WRAP AROUND BED FRAME (DOUBLE BED)
1.50		4744A9991 INSIDE WRAP AROUND BED FRAME (QUEEN BED)
1.50	⑲	4720E1181 OUTSIDE WRAP AROUND BED FRAME (DOUBLE BED)
1.50		4733C0921 OUTSIDE WRAP AROUND BED FRAME (QUEEN BED)
.20	⑳	4755A2591 BED BRKT. W/MOUNTING HARDWARE (USED x4 PER BED ASSY.)

REPAIR PARTS/FLAT RATE



FLAT RATE	BED EXTENSION COMPONENT PARTS	
.25	① 4720C5621	ROLLER ASSEMBLY x2
	② 4731A1291	ROLLER STOP
	4749-4578	RIVET x4 M25
.20	③ 4720B0831	NYLON WHEEL
	④ 4731A1288	SHOULDER RIVET M25
	⑤ 4741-9191	RIVET PLATE
	4749-4578	RIVET x4 M25
.25	⑥ 4731-4711	ROLLER SPACER x2
	⑦ 1203-8651	5/8" RIVET M25
	REFER TO NOTE FOR 3195 FRONT BED	
	4747A9231	1" RIVET M25
	NOTE: 1" RIVET USED ON FRT. BED 3195 W/ 3 SPACERS PER ROLLER	
	⑧ 4733-4118	TEK SCREW
	1202B0268	WASHER

F.R. 1.00 FIRST BED EXTENSION .50 ON SECOND EXTENSION SAME BED

BED EXTENSION CHART

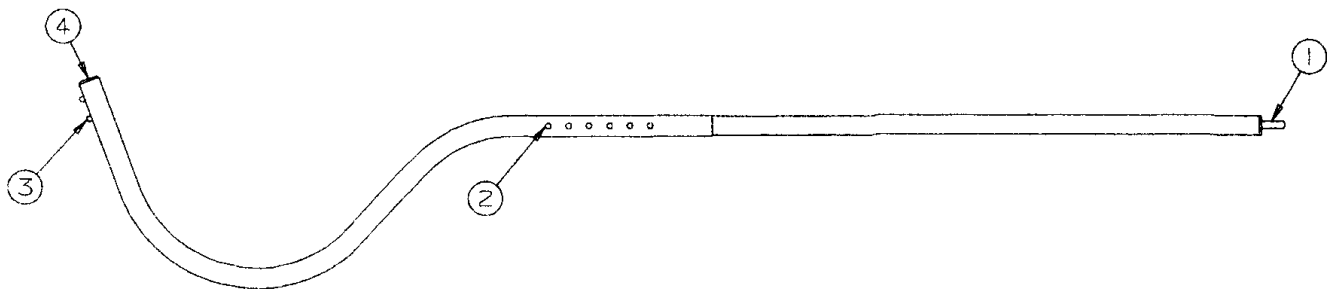
BED EXTENSIONS FOR FRONT BED ASSEMBLY			BED EXTENSIONS FOR REAR BED ASSEMBLY		
MODEL	CURBSIDE	ROADSIDE	MODEL	CURBSIDE	ROADSIDE
3192,41,95	4755-5121	4755-5111	3190,92,41,95	4755-5111	4755-5111
3142	4755A5131	4755-5111	3142	4739D6191	4739D6191
3150	4755-5111	4755-5111	3150	4755-6761	4755-5111

MATTRESS ASSEMBLIES & COVERS F.R. -.50

FRONT MATTRESS			REAR MATTRESS		
MODEL	ASSEMBLY	COVER	MODEL	ASSEMBLY	COVER
3141,42	4753A6121	4716A6121	3142	4748E6231	4716E6231
3150,92,95	4748E6241	4716E6241	3141	4753A6121	4716A6121
			3150,92,95	4748E6241	4716E6241

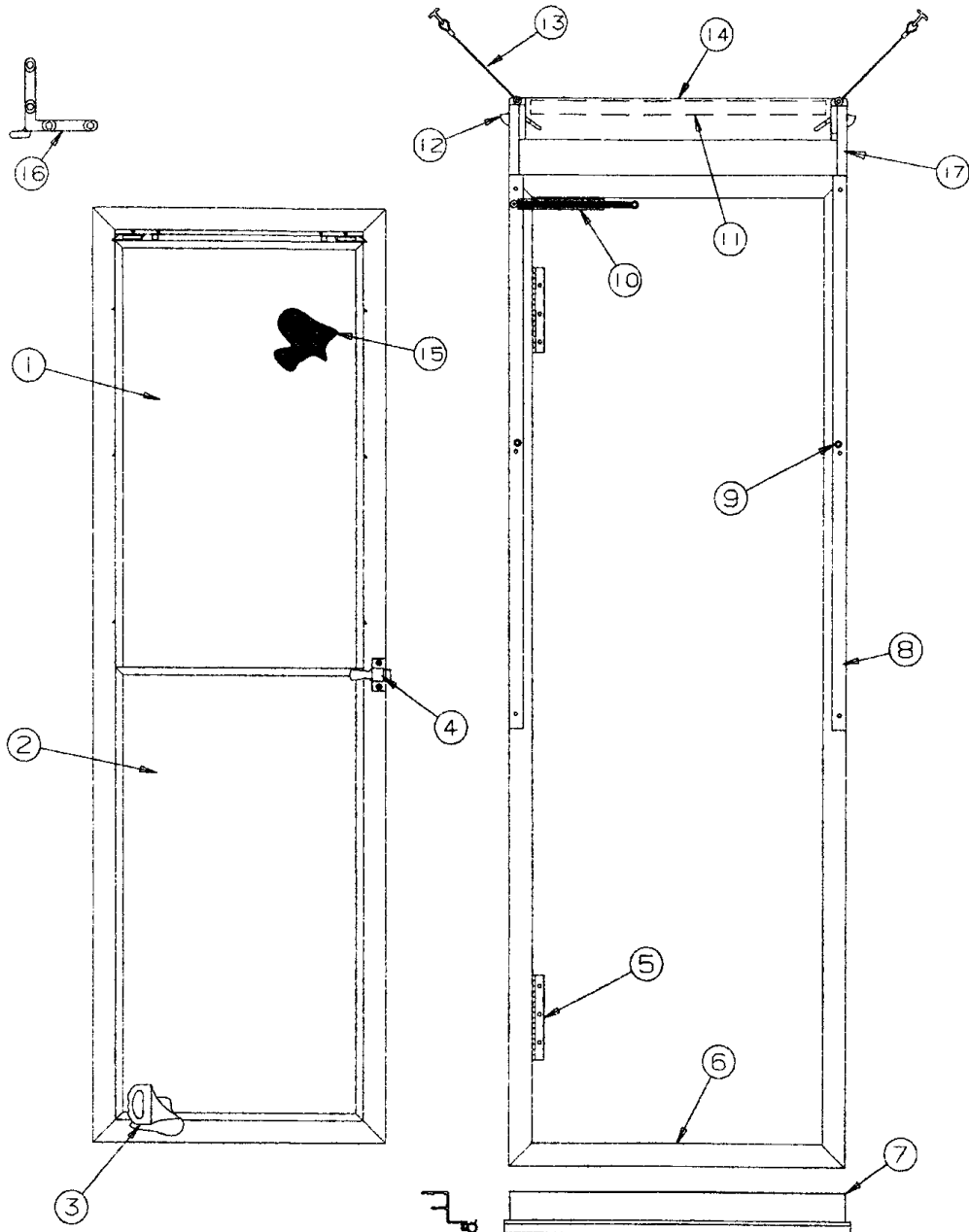
FLAT RATE	TENT SUPPORT COMPONENTS	
.20	① 8470-1728	BLACK POLE PIN M10
.10	② 4734-6708	SPRING ASSEMBLY
.10	③ 4734A6708	SPRING ASSEMBLY
.10	④ 4752-0561	TUBE CLOSURE (BLACK)

TENT SUPPORT ASSEMBLIES (COMPLETE)		
FLAT RATE .10 PER TENT SUPPORT		
MODEL	FRONT BED	REAR BED
3142	4741G5581	4741F5591
3141,50,92,95	4741G5581	4741G5581



REVISED 3/27/97

1997 GRAND TOUR SERIES

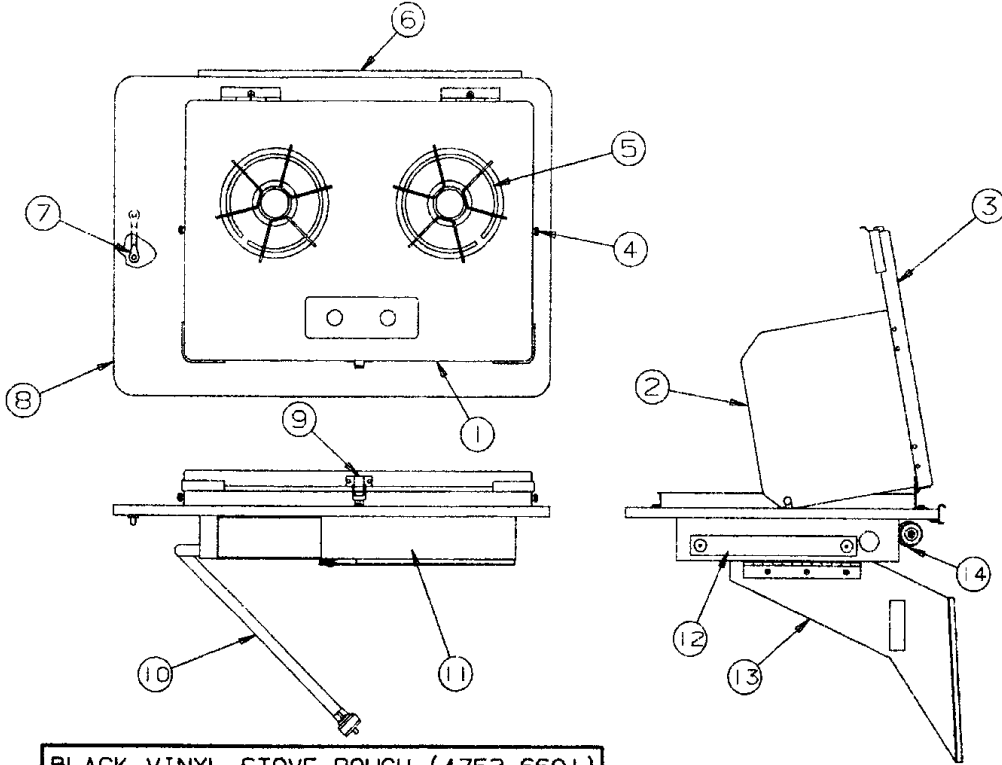


NOTE: PARTS MARKED W/ * ASTERISK ARE NOT INCLUDED W/ SCREEN DOOR
 .30 SCREEN DOOR & JAMB ASSEMBLY COMPLETE - 4739M668I

FLAT
 RATE

.10	① 4716D340I	TOP SLIDING WINDOW PANE	.20	⑩ 4731A820I	SPRING PKG.
.10	② 4716C341I	SLIDING WINDOW PANE	.10	⑪ 4060000400F	D-SEAL (SOLD/FT.)
.15	③ 4750-359I	RUBBER SEAL (18" LENGTH)	.25	⑫ 4741-8658	SASH LOCK x2
.15	④ *4742-967I	DOOR LATCH ASSEMBLY		4747A923I	RIVET M25
.15	⑤ 4720C360I	HINGE x2		1202B2698	WASHER
	1203-864I	RIVET M25		4733-3398	PLASTIC SPACER
	⑥ 4710L4098	BOTTOM LINTEL	.15	⑬ 4734E521I	CABLE ASSEMBLY M2
.25	⑦ *4747B201I	SCREEN DOOR SUPPORT	.50	⑭ 4753-450I	TOP BRACKET
	*4060000399F	RUBBER SEAL (SOLD/FT.)		1203-864I	RIVET M25
.20	⑧ 4754-381I	VEL-STICK x2 & MOUNTING HARDWARE	.75	⑮ 4716-111I	SCREENING 36" x 18 1/2"
.05	⑨ 4730A3548	STUD W/SCREW x2	.50	⑯ 4710-379I	CORNER BRACE HINGE M2
			.10	⑰ 4350000119F	VELCRO LOOP "BLACK" SOLD/YD.

REPAIR PARTS/FLAT RATE



BLACK VINYL STOVE POUCH (4752-6601)

FLAT RATE

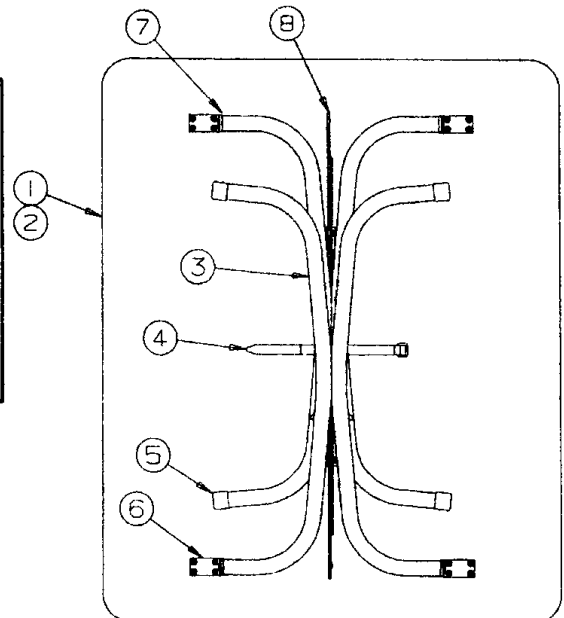
OUTSIDE STOVE COMPONENT PARTS

.15	① 4746-9491	2 BURNER COOK TOP	.20	⑨ 4733-4018	LATCH
	② 4749B99381	STOVE FIN x2	.10	4733-4028	LATCH STRIKE
.15	③ 4749B66081	STOVE COVER	.25	⑩ 4746-9891	GAS HOSE
.15	4742-9538	H.P. DECAL	.75	⑪ 4746A9481	STOVE BOX
.05	④ 4716A0881	THUMB SCREW x2 M6	.15	⑫ 4742-8971	NYLON STOVE HANDLE
.05	⑤ 4716-1851	GRATE x2		1203-8641	RIVET x2 M25
.35	⑥ 4754-0471	STOVE HANGER BRACKET		1202B2698	WASHER x2
.20	⑦ 4733A4511	STEEL LOOP M2	.25	⑬ 4746-9221	OUTSIDE STOVE FLAP
.60	⑧ 4746C9391	COUNTER TOP	.15	⑭ 4734-2431	GRIPPER CLIP M4
.20	4060600081F	WHITE T-MOLDING (SOLD/FOOT)			

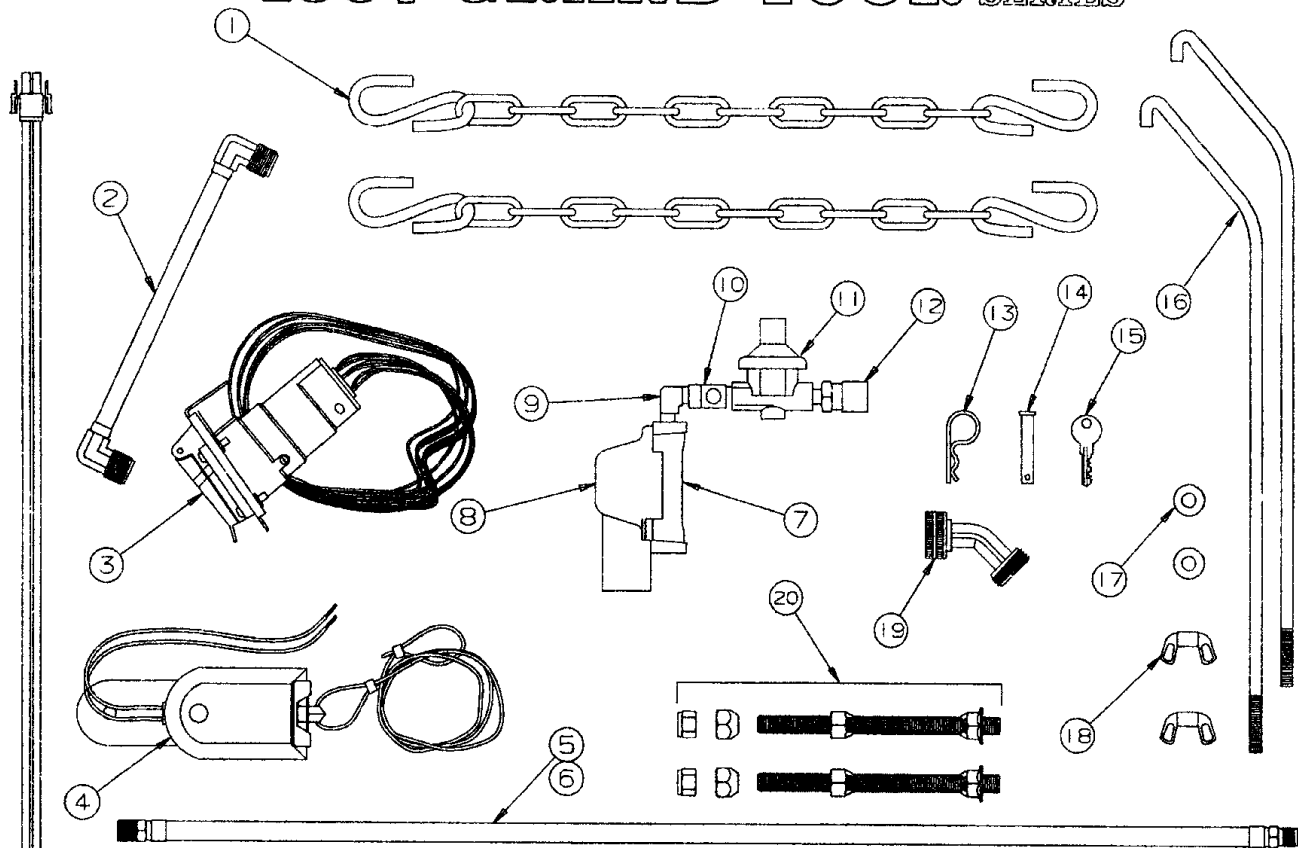
FLAT RATE

DINETTE TABLE ASSEMBLY COMPONENTS

.50	① 4752-9241	TABLE TOP (39x28 1/2) 3141,42,92
.50	4755-0981	TABLE TOP (39x30) 3150,3195
.25	② 4060500084F	T-MOLDING (SOLD/FOOT)
.50	③ 4745D52781	TABLE LEG PKG. "ELM"
		NOTE:PKG. INCLUDES 2 LEGS & REQUIRED MOUNTING HARDWARE
.10	④ 4751A9711	STRAP & SCREW PKG.
	⑤ 4752-0551	WHITE PLASTIC CAP M2
	⑥ 4720E1211	TABLE LEG MOUNTING BRACE M2
	1103B101F	5/8" WOOD SCREW
.15	⑦ 4752A0561	TABLE LEG INSERT CAP M2
	4747-2558	EXPANSION RIVET M25
.25	⑧ 4720A1501	LOCK BRACE ASSEMBLY
	1103B101F	5/8" WOOD SCREW



1997 GRAND TOUR SERIES

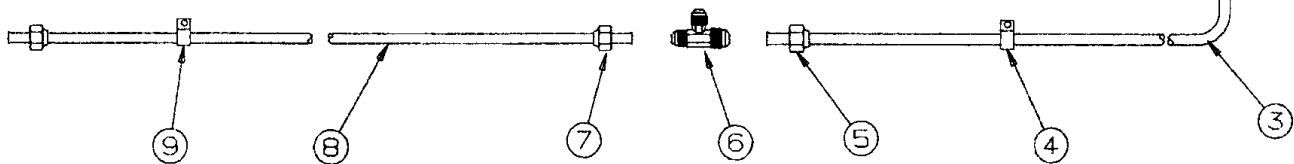
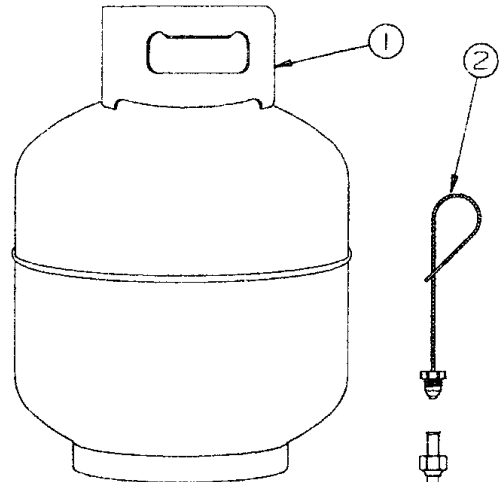


4750B6131 PARTS PACKAGE (COMPLETE) 3142,50,92,41
 4750C6111 PARTS PACKAGE (COMPLETE) 3195

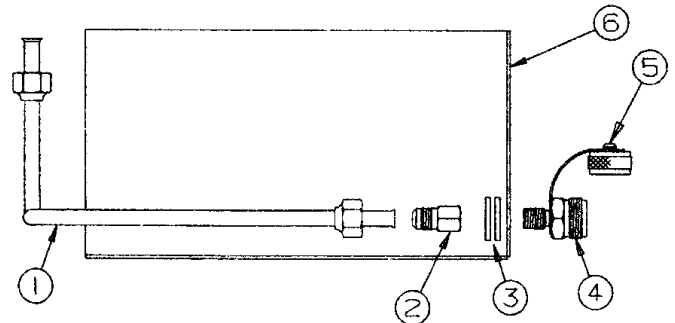
FLAT RATE	PARTS PACKAGE COMPONENT PARTS
①	4749A9601 29" TOW CHAIN M2 (ALL)
②	4746-5381 WINTERIZING ADAPTER (3195)
③	4746-5591 PIGTAIL "BARGMAN"
④	4746-0401 BREAK-A-WAY SWITCH
.20	⑤ 4737-8871 GAS HOSE-LOW PRESSURE (W/HOT WATER)
.20	4733A3991 GAS HOSE-LOW PRESSURE (W/OUT HOT WATER)
.20	⑥ 4742-8081 GAS HOSE-HIGH PRESSURE (ALL)
.45	⑦ 4742-8051 REGULATOR-LOW PRESSURE
	⑧ 4746-4231 REGULATOR COVER (PLASTIC)
	⑨ 4742-8031 BRASS ELBOW
	⑩ 4739-6998 BRASS ELBOW
.45	⑪ 4742-8041 HIGH PRESSURE REGULATOR
	⑫ 4737-9308 POL ADAPTER
	⑬ 4732A4791 PIN M10
	⑭ 4771-2631 HITCH PIN M5
	⑮ 4730A3211 KEY M10 #1101X (CHROME PLATED)
	4730B3211 KEY M10 #8025 (GOLD PLATED)
	⑯ 4733F6281 GAS BOTTLE MOUNTING BRKT. PKG.
	NOTE: (PKG. INCLUDES WING NUTS & WASHERS)
	⑰ 1202B0468 WASHER x2
	⑱ 1201-6258 WING NUT x2
	⑲ 4744-2651 GOOSENECK (3195)
	⑳ 4741A5791 SPARE TIRE MOUNT KIT (ALL)
	㉑ 4749A5531 WIRE HARNESS W/BREAKER
	㉒ 4751-4811 15 AMP CIRCUIT BREAKER

REPAIR PARTS/FLAT RATE

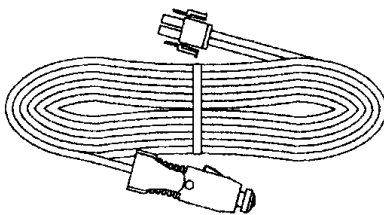
FLAT RATE	GAS SYSTEM & RELATED PARTS	
.15	① 4720J5928	GAS BOTTLE (ARCTIC WHITE)
	② 4737-8388	1/2" PLASTIC CAP & CHAIN
.50	③ 4733A3888	3/8" PLASTIC CAP & CHAIN
	④ 1/2" COPPER	GAS LINE PURCHASE LOCALLY
.50	⑤ 1201-8738	1/2" CLAMP - RUBBER COATED
	⑥ 1215-2438	1/2" FLARE NUT
.50	⑦ 1215-1788	BRASS TEE - 1/2"x3/8"x3/8"
.50	⑧ 1215-1778	BRASS TEE - 3/8"x3/8"x3/8"
.50	⑨ 1215-2418	3/8" FLARE NUT
	⑩ 4714-0711	COPPER GAS LINE ASSY. (100")
	⑪ 1201-8708	3/8" CLAMP - RUBBER COATED



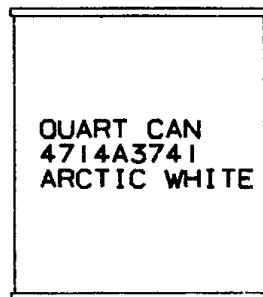
FLAT RATE	OUTSIDE STOVE HOOKUP COMPONENTS	
.50	① 4714-0721	110" GASLINE & FLARE NUTS
	② 1215-2418	FLARE NUT
.40	③ 4742-8061	FEMALE COUPLING
.40	④ 1202B1068	WASHER x2
.40	⑤ 4739-6978	CYLINDER ADAPTER
.40	⑥ 4742-8071	BRASS CAP & STAP
1.00	⑦ 4742A8551	GAS LINE PROTECTOR



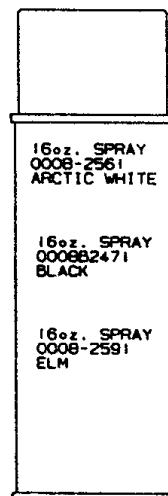
4733C6701 AUTO EXTENSION



4716-4701
12 VOLT
CAP & PLUG PKG.



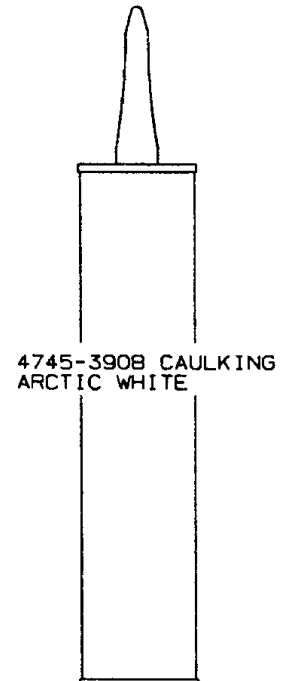
QUART CAN
4714A3741
ARCTIC WHITE



16oz. SPRAY
0008-2561
ARCTIC WHITE

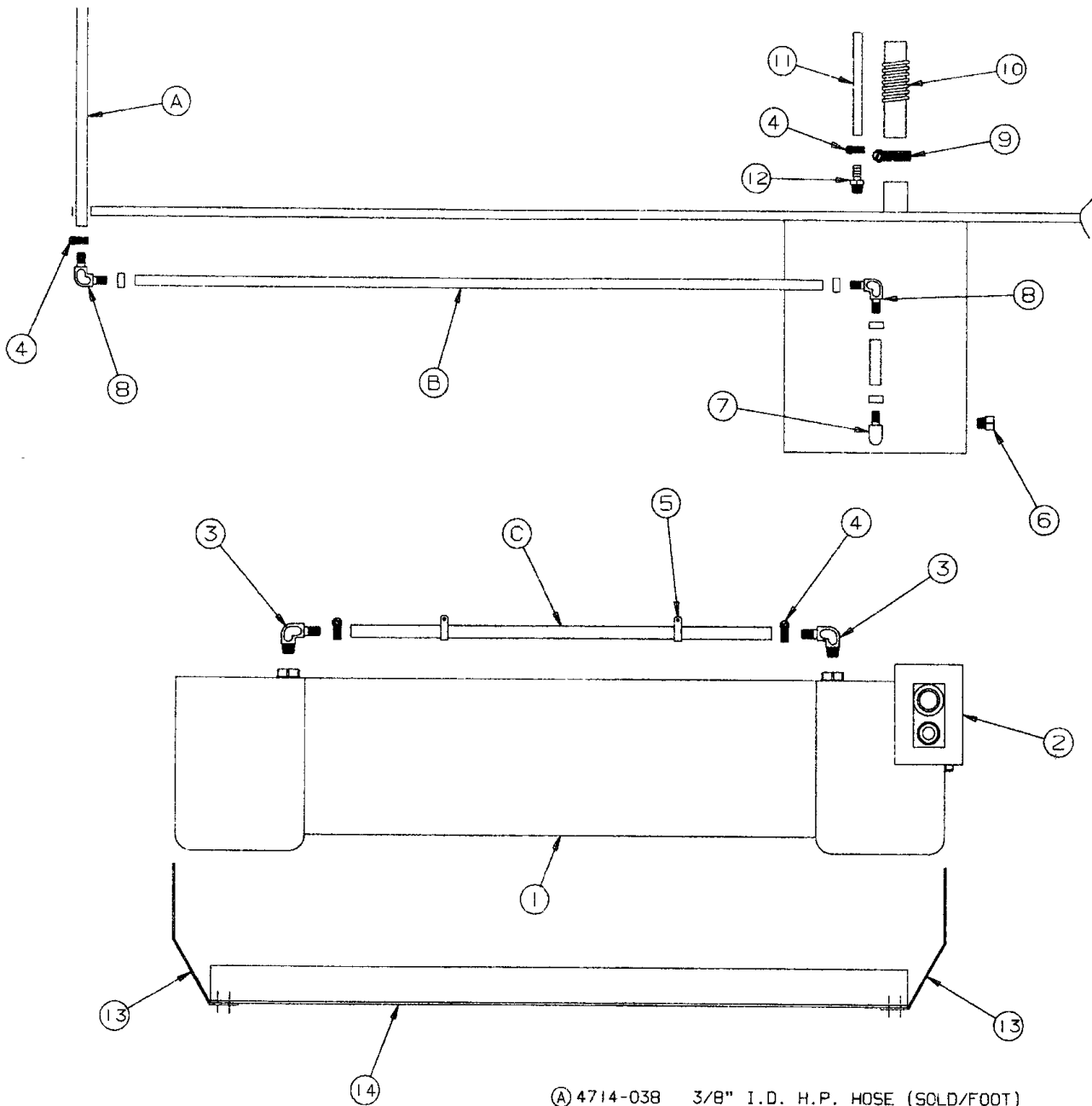
16oz. SPRAY
0008B2471
BLACK

16oz. SPRAY
0008-2591
ELM



4745-3908 CAULKING
ARCTIC WHITE

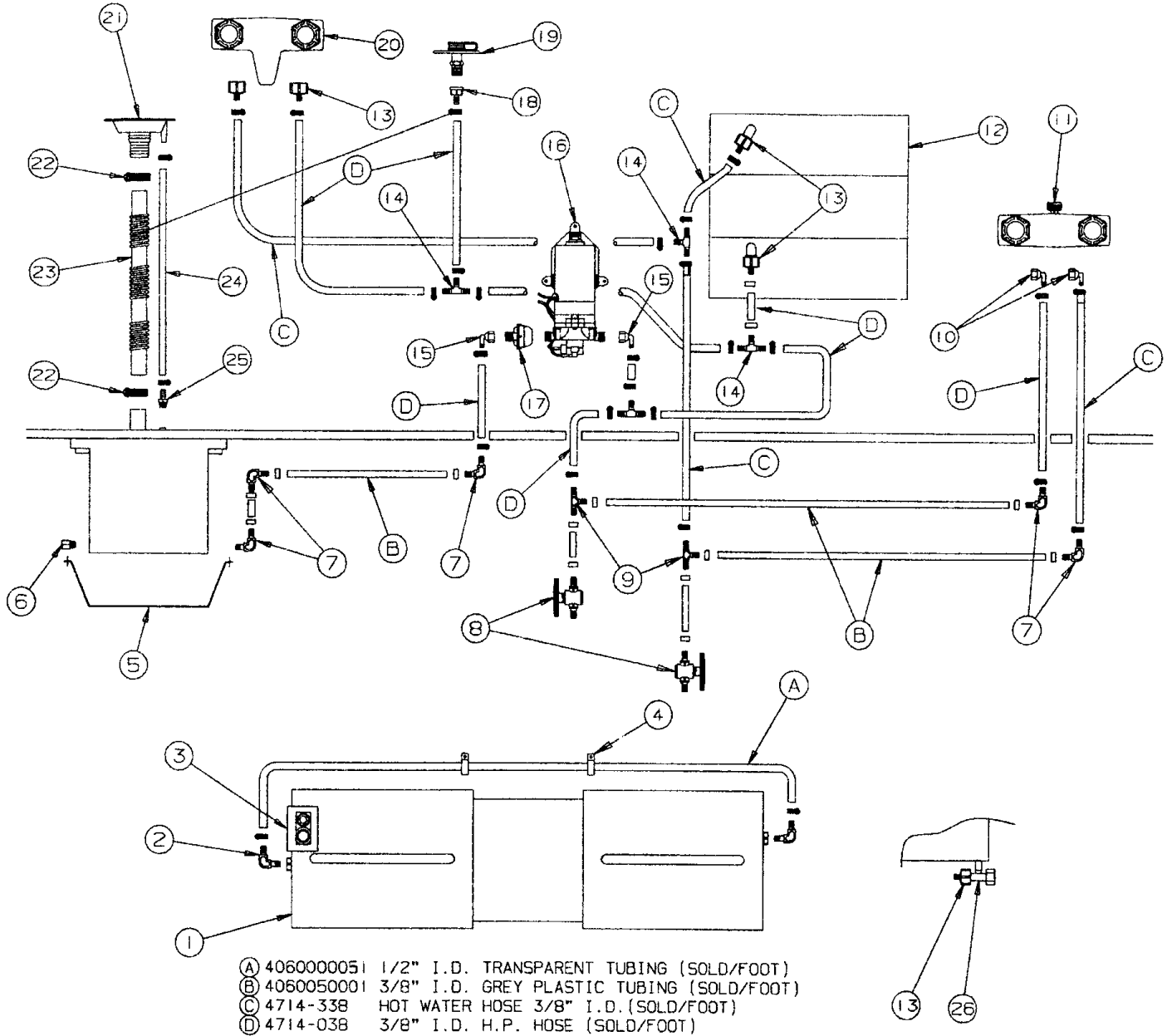
1997 GRAND TOUR SERIES



- (A) 4714-038 3/8" I.D. H.P. HOSE (SOLD/FOOT)
- (B) 4060050001 3/8" I.D. GREY PLASTIC TUBING (SOLD/FOOT)
- (C) 4060000051 1/2" I.D. TRANSPARENT TUBING (SOLD/FOOT)

FLAT RATE	WATER SYSTEM & RELATED PARTS - 3141, 3142, 3150, 3192				
1.50	(1) 4748A8341	WATER TANK 3141, 42, 92	.25	(7) 4741-2378	ELBOW
1.50	4755-1321	WATER TANK 3150 ONLY	.25	(8) 4741-2398	BARBED ELBOW
.50	(2) 4742A8631	WATER TANK GASKET	.35	(9) 4715-4501	ADJUSTABLE HOSE CLAMP
.25	(3) 4741A2378	ELBOW	.20	(10) 4731H1081	WATER FILL HOSE 3' LENGTHS
	(4) 4731-3058	ADJUSTABLE HOSE CLAMP	.15	(11) 4060050003	1/2" H.P. HOSE (SOLD/FOOT)
.15	(5) 1201-8658	TUBE CLAMP	.30	(12) 4732B4561	ADAPTER
	(6) 1218-700	PLUG	.30	(13) 4753-4761	WATER BOTTLE HANGER BRACKET x2
				(14) 4753-4771	WATER BOTTLE HANGER x1

REPAIR PARTS/FLAT RATE



- (A) 406000051 1/2" I.D. TRANSPARENT TUBING (SOLD/FOOT)
- (B) 4060050001 3/8" I.D. GREY PLASTIC TUBING (SOLD/FOOT)
- (C) 4714-338 HOT WATER HOSE 3/8" I.D. (SOLD/FOOT)
- (D) 4714-038 3/8" I.D. H.P. HOSE (SOLD/FOOT)

FLAT RATE WATER SYSTEM & RELATED PARTS 3195 NIAGARA

1.50	(1)	4753-4111	WATER TANK TRLR.W/OUT HYDRAULICS	.25	(4)	1218-1508	BARBED TEE
1.50		4751A3101	WATER TANK TRLR.W/HYDRAULICS	.25	(5)	4741-2351	SWIVEL ELBOW
.25	(2)	4741A2378	ELBOW	.50	(16)	4741C5571	ELECTRIC WATER PUMP
.50	(3)	4742A8631	WATER TANK GASKET	.25	(17)	4747A8311	WATER FILTER
	(4)	1201-8658	TUBE CLAMP	.20	(18)	4741-9568	FEMALE ADAPTER
.20	(5)	4753A4801	WATER TANK HANGER			1202-5828	RUBBER WASHER
			NOTE:REFER TO PAGE 3 FOR WATER TANK HANGER FOR 4751A3101 TANK	.30	(19)	4732F1521	CITY FILL
.15	(6)	1218-700	PLUG	.50	(20)	4745D2741	MIXER FAUCET
.25	(7)	4741-2398	BARBED ELBOW	.30	(21)	4731D1711	WATER TANK FILL SPOUT
.20	(8)	4741A2368	LINE DRAIN	.25	(22)	4715-4501	ADJUSTABLE HOSE CLAMP
.25	(9)	4741-2388	TEE	.30	(23)	4731H1081	WATER FILL HOSE 3' LENGTHS
.25	(10)	4741-9068	SWIVEL ELBOW	.20	(24)	4060050003F	1/2" H.P. HOSE (SOLD/FOOT)
.50	(11)	4741B2071	SHOWER DIVERTER	.15	(25)	4732B4561	HOSE ADAPTER
*	(12)	4750-3421	WATER HEATER	.30	(26)	4751-3861	DRAIN TEE
.20	(13)	4716-2341	BARB,NUT & SEAL PACKAGE			4751-3871	TEE NUT

* WARRANTEED BY VENDOR

1997 GRAND TOUR SERIES

DRAPE PKG.

NOTE: VALANCE NOT INCLUDED IN DRAPE PKG.

	MODEL	DRAPE PKG.
.30	3142	4753A5781 GREEN
.30	3141	4753A6981 GREEN
.30	3192,50	4755-6181 BLUE
.30	3195	4753B6451 BLUE

DRAPE COMPONENTS

.05	4750-2891	DRAPE TAB C-SHAPE M60
-----	-----------	-----------------------

VALANCE PACKAGE

	MODEL	VALANCE PKG.
.25	3142	4716A5781 GREEN
.25	3141	4715A6981 GREEN
.25	3150,92	4716A6181 BLUE
.25	3195	4715B6451 BLUE

SINGLE DRAPE PANEL W/SAFETY STRAPS

	MODEL	SINGLE DRAPE PKG.
.15	3141,42	4716K0421 48x45 GREEN
.15	3150,92,95	4716J2211 53x45 BLUE
.15	3150,92,	4716K2211 15x45 BLUE

DRAPE TIE PACKAGE (QTY. 1)

	MODEL	TIE PKG.
.05	3142,41	4753-9791
.05	3150,92,95	4753-9811

DRESSING ROOM CURTAIN PACKAGE

	MODEL	CURTAIN PKG.
.20	3195	4723S6781

SHOWER CURTAIN-WHITE VINYL

.20	4749A6661	SHOWER CURTAIN 3195
.20	4748-8161	SHOWER CURTAIN CLIPS M10

POTTI CURTAIN PKG. - 3141

.20	4753-9831	POTTI CURTAIN PKG.
-----	-----------	--------------------

CUSHION & BACKREST ASSEMBLIES

MODEL	.10 CUSHION ASSEMBLY	.25 CUSHION COVER	.10 BACKREST ASSEMBLY
3141	4753A5811	4716A5811	4753A5821
3141	*4755-6421	4716-6421	*4755-6441
3142	NOTE:SEE DETAIL "A" FOR THESE ITEMS		
3150,92	NOTE:SEE DETAIL "B" FOR THESE ITEMS		
3195	4755-6331	4716-6331	4755-6311

*THESE ITEMS USED ON CURBSIDE PULL-OUT BED

PLASTIC CUSHION BUTTON 4710-2681 M5

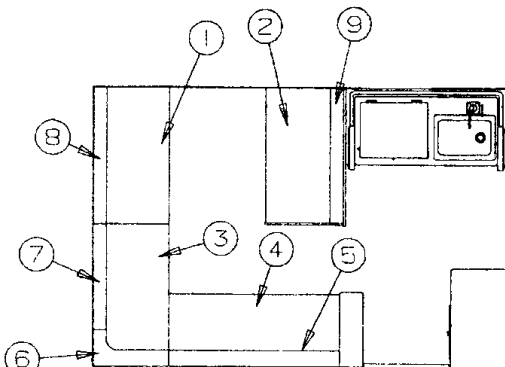
FLAT RATE CUSHION & BACKREST - 3142 YUKON

.10	① 4753A5801	CUSHION ASSEMBLY 3142
.25	4714A5801	CUSHION COVER 3142
.10	② 4753A5811	CUSHION ASSEMBLY 3142
.25	4716A5811	CUSHION COVER 3142
.10	③ 4751C6151	CUSHION ASSEMBLY 3142
.25	4714C6151	CUSHION COVER 3142
.10	④ 4753A5521	CUSHION ASSY./LESS LEGS 3142
.25	4716A5521	CUSHION COVER 3142
.25	4753A5521	CUSHION SUPPORT LEG x2
.10	⑤ 4748G6291	BACKREST ASSEMBLY 3142
.10	⑥ 4751C6141	CORNER BACKREST ASSY. 3142
.10	⑦ 4751C6161	BACKREST ASSEMBLY 3142
.10	⑧ 4751C6171	BACKREST ASSEMBLY 3142
.10	⑨ 4753A5821	BACKREST ASSEMBLY 3142

FLAT RATE CUSHION & BACKREST - 3150,3192

.10	① 4753-6031	CUSHION ASSEMBLY 3192
.25	4714-6031	CUSHION COVER 3192
.10	② 4753-6061	BACKREST ASSEMBLY 3192
.10	③ 4753A6021	CUSHION ASSEMBLY 3192
.25	4714A6021	CUSHION COVER 3192
.10	④ 4753A6041	CUSHION ASSY. 3150,92
.10	⑤ 4753-6071	BACKREST ASSEMBLY 3192
.10	⑥ 4753-6091	CORNER BACKREST ASSY. 3150,92
.10	⑦ 4753-6081	BACKREST ASSEMBLY 3150,92
.10	⑧ 4755-6311	BACKREST ASSEMBLY 3150
.10	⑨ 4755-6331	CUSHION ASSEMBLY 3150
.25	4716-6331	CUSHION COVER 3150
.10	⑩ 4755-6321	BACKREST ASSEMBLY 3150
.10	⑪ 4755A6341	CUSHION ASSEMBLY 3150
.25	4716A6341	CUSHION COVER 3150

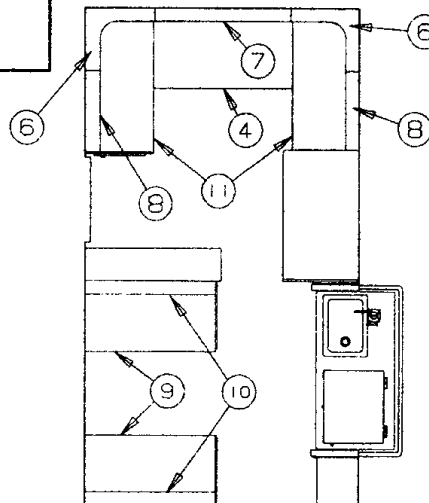
DETAIL A



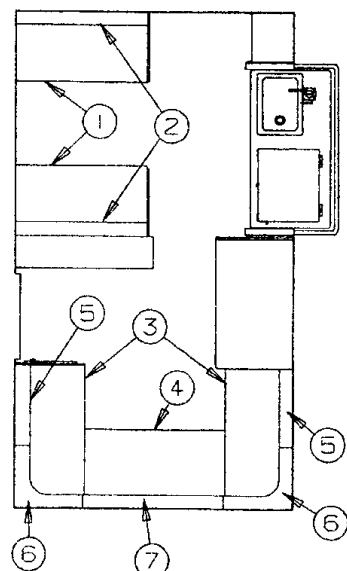
REVISED 4/4/97

DETAIL B

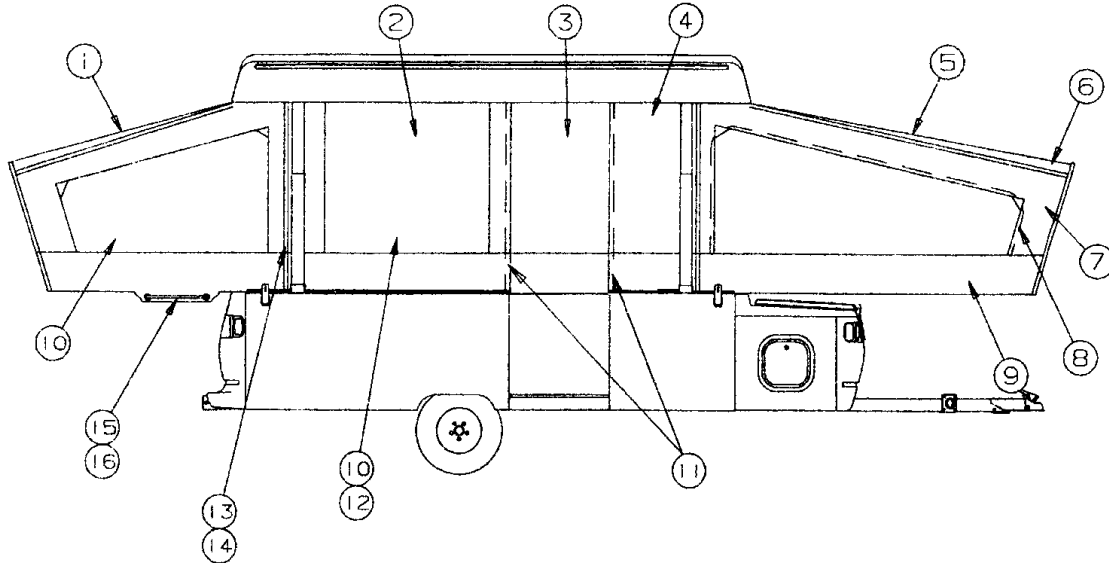
3150 SUNRIDGE



3192 SUN VALLEY



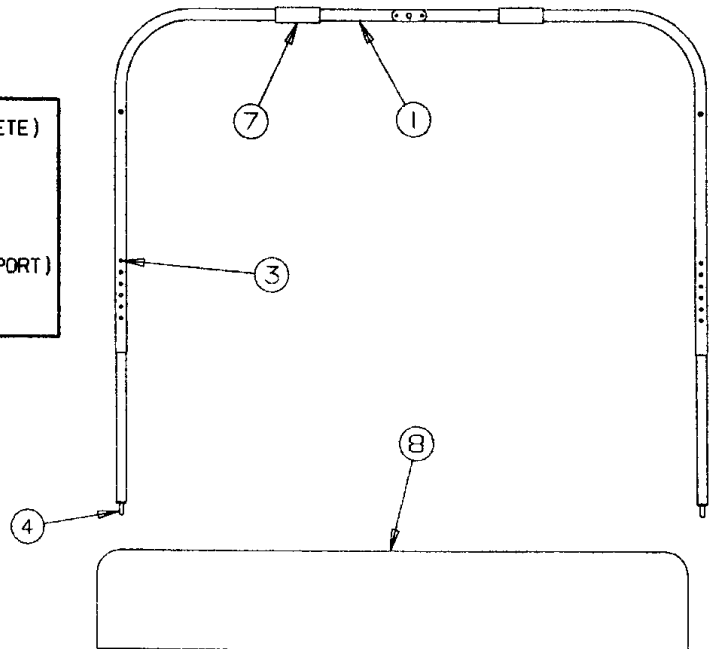
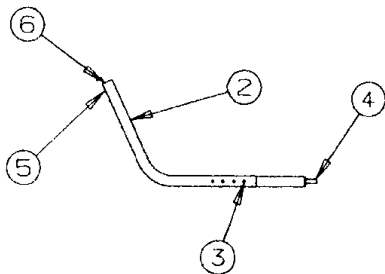
REPAIR PARTS/FLAT RATE



FLAT RATE	SUNBRELLA TENTING & COMPONENTS				
.40	① 4753A58791	REAR BOOT 3142	1.00	⑦ 4716C0851	SUNBRELLA PATCH PKG. (12"x14")
.40	4753A58691	REAR BOOT 3150,92,95,41		⑧ 6650500130F	ZIPPER (SOLD/YARD)- AROUND WINDOW
.20	② 4753A59491	SMALL WINDOW 3142		1225-4461	ZIPPER PULL M5
.20	4755-64891	SM. WINDOW 3150 (RT.OF DOOR)		⑨ 8118001450	BOTTOM VINYL FACING (SOLD/YARD)
.20	4753A58991	SMALL WINDOW 3192		⑩ 4714E1611	SCREEN PKG. (84" x 3 YARDS)
.20	4753A64691	SMALL WINDOW 3195,41		4714A0361	SCREEN PKG. (84" x 13 YARDS)
.20	③ 4753A59191	LARGE WINDOW 3142		⑪ 4350000009P	1" VELCRO LOOP (10' PC. PACKAGED)
.20	4755-64791	LARGE WINDOW W/TIPOUT 3150		⑫ 4716-2401	CLEAR WINDOW VINYL (41" x 2 YARDS)
.20	4755-55891	LARGE WINDOW W/TIPOUT 3192		⑬ 1225G3768	ZIPPER PIN HALF 45 1/2"
.20	4753A58891	LARGE WINDOW 3141		⑭ 1225G3758	ZIPPER SLIDER HALF 45 1/2"
.20	4755-67391	LARGE WINDOW 3195	.50	⑮ 4060000045F	1/4" SHOCK CORD (SOLD/FOOT)
.15	④ 4753A59591	DOOR SEAL 3142	.50	4714B6021	SHOCK CORD & CRIMPS M2 (14'LENGTHS)
.15	4755-64991	DOOR SEAL 3150 (LT.OF DOOR)		⑯ 4724-2011	SHOCK CORD CRIMPS M10
.15	4753A59091	DOOR SEAL 3192		⑰ 4060000024F	ARROWHEAD SEAL (SOLD/FOOT)
.15	4753A59391	DOOR SEAL 3195,41	.30	⑱ 4735B6721	EXTENSION HARNESS
.40	⑤ 4753A58691	FRONT BOOT (ALL)	.50	⑲ 4743-1588	K-KOTE SEAM SEALER
	⑥ 8119901429	TOP VINYL (SOLD/YARD)		⑳ 1112B06161	TENT SCREW M25 (HOLD TENT IN TRACK)

.30 PER BOOT PINHOLE DAUBING
 COPIES OF SUBLET BILLS FOR TENT REPAIRS
 MUST BE ATTACHED TO WARRANTY CLAIMS

FLAT RATE	TIPOUT TENT BOW SUPPORT 3150,92	
.10	① 4755-5611	TIPOUT TENT BOW SUPPORT (COMPLETE)
.05	② 4754A6761	TIPOUT TENT SUPPORT (COMPLETE)
	③ 4734-6708	SNAP SPRING x2
.20	④ 8470-1728	BLACK PIN M10
	⑤ 4734A6708	SPRING ASSEMBLY
.10	⑥ 4755-2111	HOOK BRKT.
	4733D0601	RIVET M25 (TO HOLD HOOK TO SUPPORT)
.10	⑦ 4350000209F	2"x2" VELCRO LOOP (SOLD/YD)
.10	⑧ 4755-0971	TIPOUT SUPPORT BOARD



1997 GRAND TOUR SERIES

FLAT RATE TOP ASSEMBLIES & RELATED PARTS

2.50	4753A5971	TOP ASSEMBLY 3142 YUKON
2.50	4755-6571	TOP ASSEMBLY 3150 SUNRIDGE
2.50	4753A5761	TOP ASSEMBLY 3192 SUN VALLEY
2.50	4753A6971	TOP ASSEMBLY 3141 KEY WEST
2.50	4753B6601	TOP ASSEMBLY 3195 NIAGARA

FLAT RATE		
.15	① 4750A9581	TOP STRIKE x4 M2
	4744A2461	MACHINE SCREW M2 (x2 PER STRIKE)
	1201B6958	KEPS NUT (x2 PER STRIKE)
	1202E040B	WASHER (x2 PER STRIKE)
	4739A4191	VINYL CAP M6 (x2 PER STRIKE)
.50	② 4753-1211	CANOPY TRACK 137 1/2" (MUST CUT TO SIZE)
.15	③ 4741G11381	TENT SUPPORT BRKT. (x2 PER TOP)
	④ 4734C1861	RIVET M25
.15	⑤ 4744C4741	DOUBLE DOME LIGHT
.10	4714H0891	DOME LIGHT LENS
	1203-8741	RIVET M25 (USED x4 PER LIGHT)
	4753-3351	PLASTIC SPACER M12 (USED x4 PER LIGHT)
.15	⑥ 4755A1491	SCREEN DOOR RETAINING BRKT. & RIVETS
	4060075008F	3/4" x 1" FOAM TAPE (SOLD/FOOT)
.10	⑦ 4755-5231	SHOWER CURTAIN ROD (3195 ONLY)
.20	⑧ 4749C5571	SCREEN DOOR STORAGE BRACKET
	4734C1861	RIVET M25 (HOLD BRKT. TO TOP)
	4749-2138	SNAP BUTTON
	1203-8631	RIVET x1 M25 (HOLD SNAP BUTTON TO BRKT.)
.15	⑨ 4734E5211	SCREEN DOOR CABLE M2
.50	⑩ 4753-1221	SCREEN DOOR TRACK x2
		NOTE: TRACK USED x3 ON 3195
.15	⑪ 4723B5061	SCREEN DOOR STRAP x2
		NOTE: REFER TO CODE #24 FOR MOUNTING HARDWARE
	⑫ 4730A3548	STUD W/SCREW x2
	⑬ 1203-9258	ACCORDION RIVET M25
	⑭ 4734B397	EXIT DECAL
.25	⑮ 4753A5961	LIFT POCKET ASSEMBLY x4
	4745-3968	SCREW (x4 PER LIFT POCKET)
.10	⑯ 4723A8071	2" x 2" VELCRO HOOK PATCH M4
.10	⑰ 4724D0991	3/4" VELCRO STRIP M4
.50	⑱ 4753B1161	SIDE TENT TRACK (MUST CUT TO SIZE)
.50	⑲ 4753B1201	TENT TRACK FRONT & REAR
.50	⑳ 4753-8861	TOP SEAL (SOLD 38 FOOT/PC.)
	㉑ 4716-2171	ABS TOP GLUE KIT
.20	㉒ 4753-2201	WARDROBE HANGER
	1203-8531	RIVET M25 (COUNTERSUNK HEAD)
	㉓ 4755-5241	CURTAIN SLIDE TAB x10 (3195 ONLY)
.15	㉔ 4755-5221	SHOWER ROD STRAP x2 (3195 ONLY)
	4739-2918	SCREW CAP WASHER
	4739E2908	SCREW CAP
	4747-2558	EXPANSION RIVET M25
.20	㉕ 4750-1761	SHOWER HEAD BRKT. (3195 ONLY)
.15	㉖ 4755-5211	SHOWER ROD STRAP x2 (3195 ONLY)
.20	4750-1761	SHOWER HEAD BRKT. (3195 ONLY)
.15	㉗ 4720D4021	LASHING HOOK M6
	4741D96568	EXPANSION RIVET M25 ARCTIC WHITE
.15	㉘ 4733A4511	STEEL LOOP M2 3195 ONLY
	1203-8978	COUNTERSUNK RIVET M25
	㉙ 4741D96568	EXPANSION RIVET M25 ARCTIC WHITE
	4753-3351	PLASTIC SPACER M12
		NOTE: USED ON BOTH ENDS OF TRACK
	㉚ 4724F2631	VELCRO HOOK M6

REPAIR PARTS/FLAT RATE

