

1997 DEERTINY series
REPAIR PARTS

and

FLAT LABOR RATE SCHEDULE

3170 LAREDO

3175 TAOS

3186 BAYPORT

3188 SEA PINE

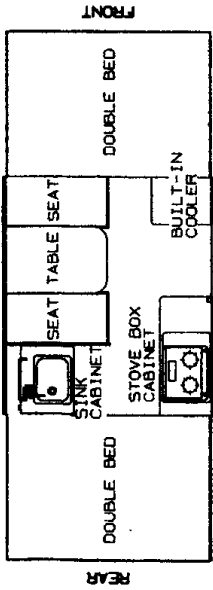
3189 SANTA FE

3194 WEST LAKE

3196 CHEYENNE

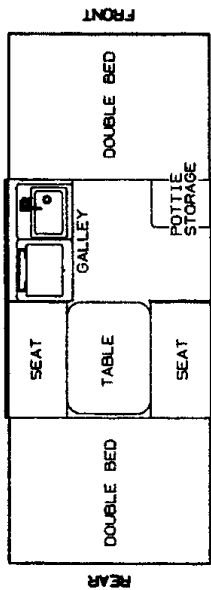
3170 LAREDO

ROADSIDE



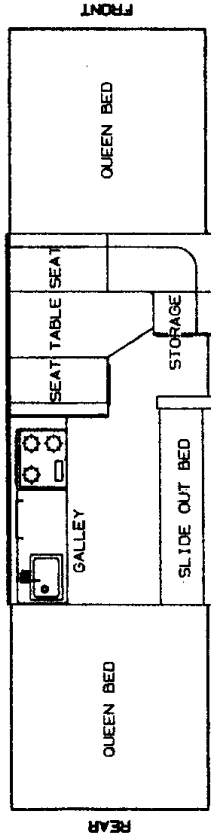
3175 TAOS

ROADSIDE



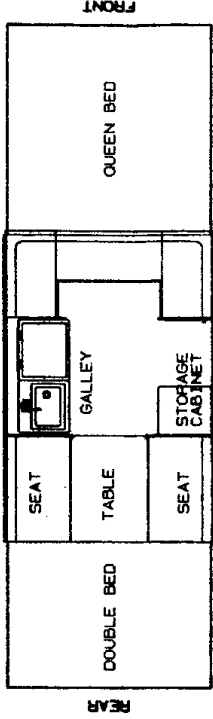
3186 BAYPORT

ROADSIDE



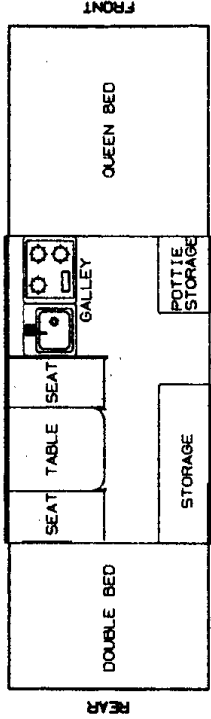
3188 SEA PINE

ROADSIDE



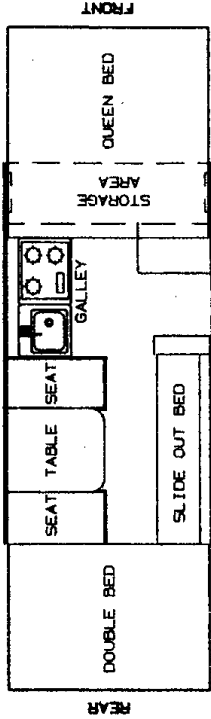
3189 SANTA FE

ROADSIDE



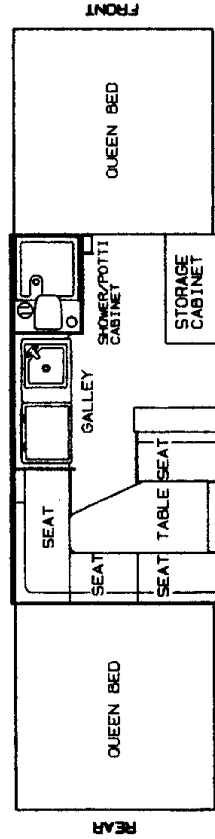
3196 CHEYENNE

ROADSIDE



3194 WEST LAKE

ROADSIDE

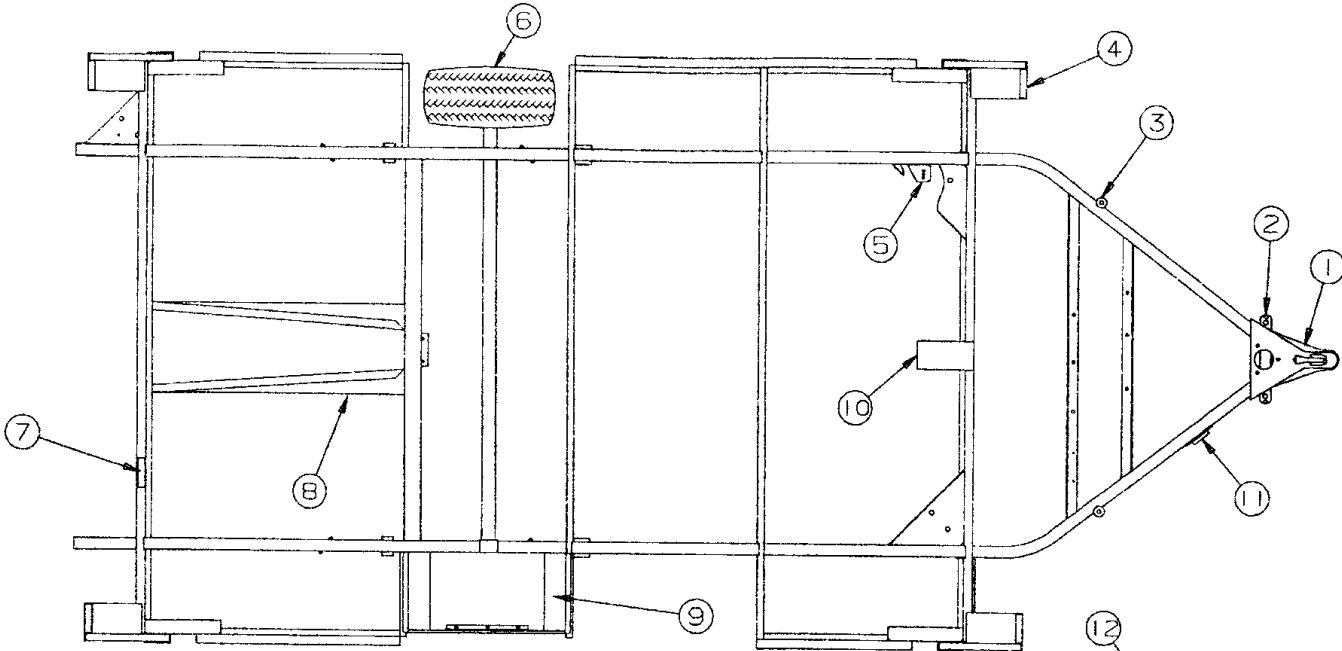


REPAIR PARTS/FLAT RATE

TABLE OF CONTENTS

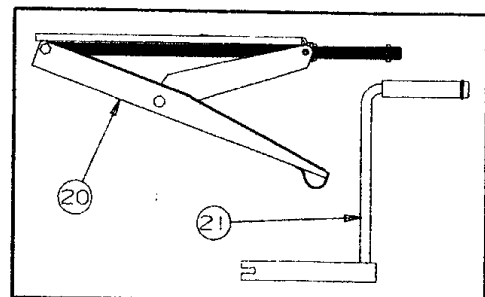
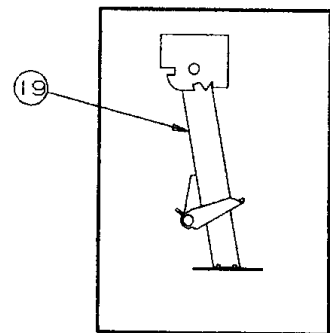
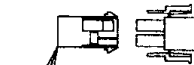
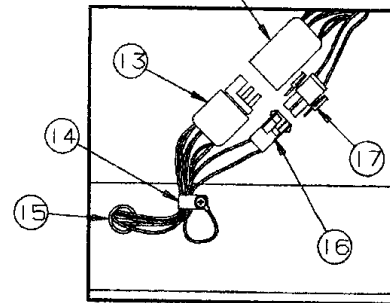
DESCRIPTION	PAGE NUMBER	
Access door key	26	Lower galley assembly 3175
Access door assembly & related parts	9	Lower galley assembly 3186, 96
Auto extension	27	Lower galley assembly 3196
Axle assemblies & related parts	5	Mattress assemblies & covers
Backrest assemblies & covers	28	Outside shower components 3194
Bed extensions & related parts	23	Paint (spray & quart cans)
Bed assembly 3170, 75	24	Paneling & trim
Bed assembly 3186, 88, 89, 94, 96	22	Parts packages & components
Body panel right rear (curbside)	8	Pigtail (car end)
Body panel left side (roadside)	9	Potti (cassette)
Body panel front/rear & component parts	7	Power cord (converter)
Body panel right front (curbside)	8	Quick disconnect (gas)
Body panel front storage area 3196	6	Quick disconnect cover assembly
Bumper & related parts	7	Receptacle (outside)
Cassette potti cabinet	16	Receptacles (ground fault)
Caulking	27	Refrigerator vents
Converter & related parts	20	Regulator & fitting
Cooler (Cooler Drawer) 3188	29	Safety chains
Cooler (Built in Cooler/related parts) 3170, 75	12, 18	Screen door & jamb assemblies
Cooler (Built in Cooler) 3186, 88, 89, 94, 96	13, 14, 15	Seat component parts
Corner bulkhead assembly	2	Shower head & hose
Coupler assy.	2	Shower curtain rod 3194
Crank handle	26	Shower cover board 3194
Crank up/crank down component parts	4	Shower curtain
Cushion assemblies & covers	28	Shower stall 3194
Door bulkheads	8	Sink & related parts
Drain hose (used on sink assembly)	10	Spare tire mount package
Drape packages	28	Stabilizer handle
Drawer assembly components	20	Stabilizer assembly
Electric brake package	6	Storage area compartment 3196
Electric brakes & related parts	5	Storage cabinet
Fire extinguisher strap	19	Stove (lift out stove)
Fire extinguisher	19	Stove cabinet box assembly 3170
Floor covering	32	Sunbrella tenting assembly & related parts
Frame assembly & related parts	2	Table assemblies & related parts
Galley rest	21	Taillights (rear body panel)
Gas bottle & related parts	27	Tent support assemblies & related parts
Gas detector	21	Thrust nut
Gas hose (gas bottle)	26	Tie backs (curtains)
Gas bottle mounting bracket	26	Tire & rim
Gas quick disconnect (outside stove)	27	Tongue jack & related parts
Grease cap (dust cap)	5	Top assemblies & related parts 3170, 75
Hub assembly & related parts	5	Top assemblies & related parts ABS Tops
Hutch assembly 3189	17	Upper galley assembly 3189, 96
Hutch assembly 3170	16	Upper galley assembly 3175
Hutch/Bed assembly & related parts 3186, 96	17	Upper galley assembly 3186, 94
Lift trim & miter covers	8	Upper galley assembly 3186
Lift assemblies & related parts	3	Upper galley assembly 3170
Lower galley assembly 3188, 3194	15	Valance packages
Lower galley assembly 3170	10	Water pump & related parts
		Water system & related parts 3186, 88, 89, 96
		Water tank 10 gallon 3186, 89, 96
		Water tank portable 3170, 75
		Water system & related parts 3194
		Wheel well
		Whiffletree & related parts
		Zipper (Sunbrella tent assemblies)
Axle - Dexter	219/295-1900	
Cassette Potti - Thetford	800/521-3032	
Converter - Magnetek	219/356-7101	
Furnaces - Hydro Flame	800/831-7531	
Hand Pump - Shurflo	800/762-8094	
Mix Faucet - Kevco	219/262-2531	
Range - Atwood Greenbrier	800/646-8557	
Refrigerator - Norcold	800/543-1219	
Tires - Duro	800/966-8473	
Water Heater - Suburban	219/294-5686	

1997 DESTINY SERIES

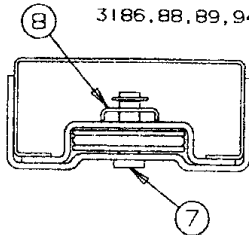
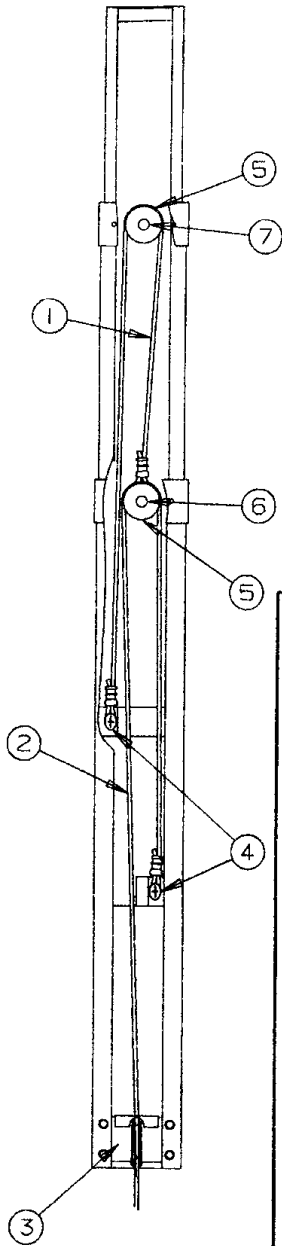


FLAT RATE MAIN FRAME ASSEMBLY COMPONENT PARTS

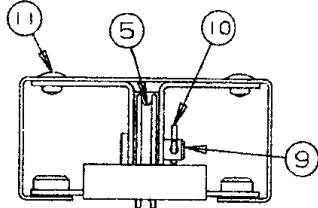
1.00	①	4742-2001	2" COUPLER ASSEMBLY
.25		4714A2211	2" COUPLER REPAIR KIT
.75	②	4748-6611	CHAIN BAR W/PINS (3186,88,89,94)
.75		4720A3561	CHAIN BAR (3170,3175,3196)
.10	③	4747-8941	PIN COVER M2 (PLASTIC)
2.00	④	4747A5501	CORNER BULKHEAD CSR/RSF (3170,75)
2.00		4747A5511	CORNER BULKHEAD RSR/CSF (3170,75)
2.00		4754-6221	CORNER BULKHEAD CSR/RSF (3186,88,89,94,96)
2.00		4754-6211	CORNER BULKHEAD RSR/CSF (3186,88,89,94,96)
		NOTE: 4754-6221/4754-6211 USED ON REAR ONLY 3196	
2.00		4754-6231	CORNER BULKHEAD CSF 3196 ONLY
2.00		4754-6241	CORNER BULKHEAD RSF 3196 ONLY
.75	⑤	4732C3678	ADJUSTABLE PULLEY BRKT. x4
.25		4715A5371	PULLEY & BEARING M10
		4720C1578	SHORT PIN
		1204B1081	COTTER PIN M10
.25	⑥	4741C3988	TIRE & RIM 8" LOAD RANGE "B" (3170,75)
.25		4754-1558	TIRE & RIM 12" LOAD RANGE "C" (3186,88,89,96)
.25		4753-8168	TIRE & RIM 13" LOAD RANGE "C" (3194)
1.00	⑦	4754A5101	SPARE TIRE MOUNT (3186,89,96)
.25	⑧	4752B4921	WHIFFLETREE PAN COVER (3186,88,89,94,96)
		4744-050	HEX HEAD TEK SCREW x6
2.00	⑨	4747A4161	WHEEL WELL ASSEMBLY x2 (3170,75)
2.00		4754B0531	WHEEL WELL ASSEMBLY x2 (3186,88,89,94,96)
2.00	⑩	4747-5101	SPARE TIRE MOUNT (3170,75)
.75	⑪	4720A3331	JACK BRACKET
.35	⑫	4735D6691	PIGTAIL - 4 PRONG (3170,75) "CAR END"
.35		4735F6741	PIG TAIL - 6 PRONG (3186,88,89,94,96) "CAR END"
	⑬	4747A5611	WIRE HARNESS (3170,75)
		4754A6021	WIRE HARNESS (3186,88,89,94,96)
.35		4714A1991	WIRE HARNESS REPAIR KIT - 6 PRONG M4
	⑭	1201-8738	CLAMP
	⑮	4742-8108	1 1/4" SNAP BUSHING
.15	⑯	4716-5001	12 VOLT POWER HARNESS
.15	⑰	4749A5531	12 VOLT WIRE HARNESS (CONNECTS TO BATTERY)
.15	⑱	4716-4701	12 VOLT CAP & PLUG
.25	⑲	4720D0731	STABILIZER ASSEMBLY x3 (3170,75)
		4739-2298	NUT (2 PER STABILIZER)
.25	⑳	4751A3351	STABILIZER (SCREW DOWN) x4 (3186,88,89,94,96)
		4751-8208	TAPPING SCREW (x3 PER STABILIZER)
	㉑	4747F4141	CRANK HANDLE



REPAIR PARTS/FLAT RATE



TOP VIEW OF LIFT



BOTTOM VIEW OF LIFT

3170, 3175 MODELS

.75 4716A0011-LIFT ASSY.ROADSIDE REAR/CURBSIDE FRONT
.75 4716A0021-LIFT ASSY.ROADSIDE FRONT/CURBSIDE REAR

3186, 88, 89, 94, 96 MODELS

.75 4751B6371-LIFT ASSY.ROADSIDE REAR/CURBSIDE FRONT
.75 4751B6381-LIFT ASSY.ROADSIDE FRONT/CURBSIDE REAR

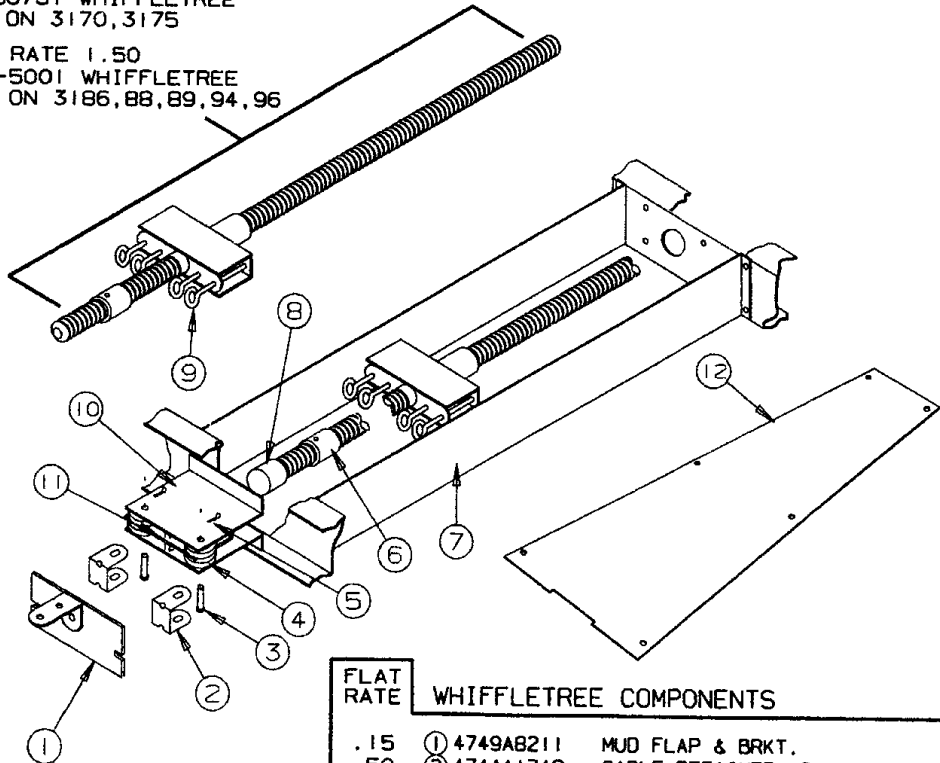
FLAT RATE

LIFT ASSEMBLY COMPONENT PARTS

1.00	①	4720C5271	CABLE ASSEMBLY x2 M2 3170,75
1.00		4720D5271	CABLE ASSEMBLY x1 3186,88,89,94,96
		4720C1691	CABLE CRIMP M20
1.00	②	4753-3391	LONG CABLE ASSY. 250" M2
		4744-1318	COPPER CABLE CRIMP M10
1.25	③	4731C5801	BUTTERFLY BRKT. ASSY.
.05	④	4749-2081	SCREW x3 M6
.45	⑤	4715A5371	STEEL PULLEY & BEARING x4 M10
.25	⑥	4747-8931	LONG PIN x2
		4730B0981	RETAINING RING M12
.25	⑦	4749-4061	PIN SHORT x1 M4
		4730B0981	RETAINING RING M12
.25	⑧	4749A2028	RETAINING CLIP
1.25	⑨	4720C1578	LIFT PIN x1
	⑩	1204B1081	COTTER PIN M10
	⑪	1203-8641	RIVET x4 M25

FLAT RATE 1.50
4749B6731 WHIFFLETREE
USED ON 3170,3175

FLAT RATE 1.50
4754-5001 WHIFFLETREE
USED ON 3186,88,89,94,96



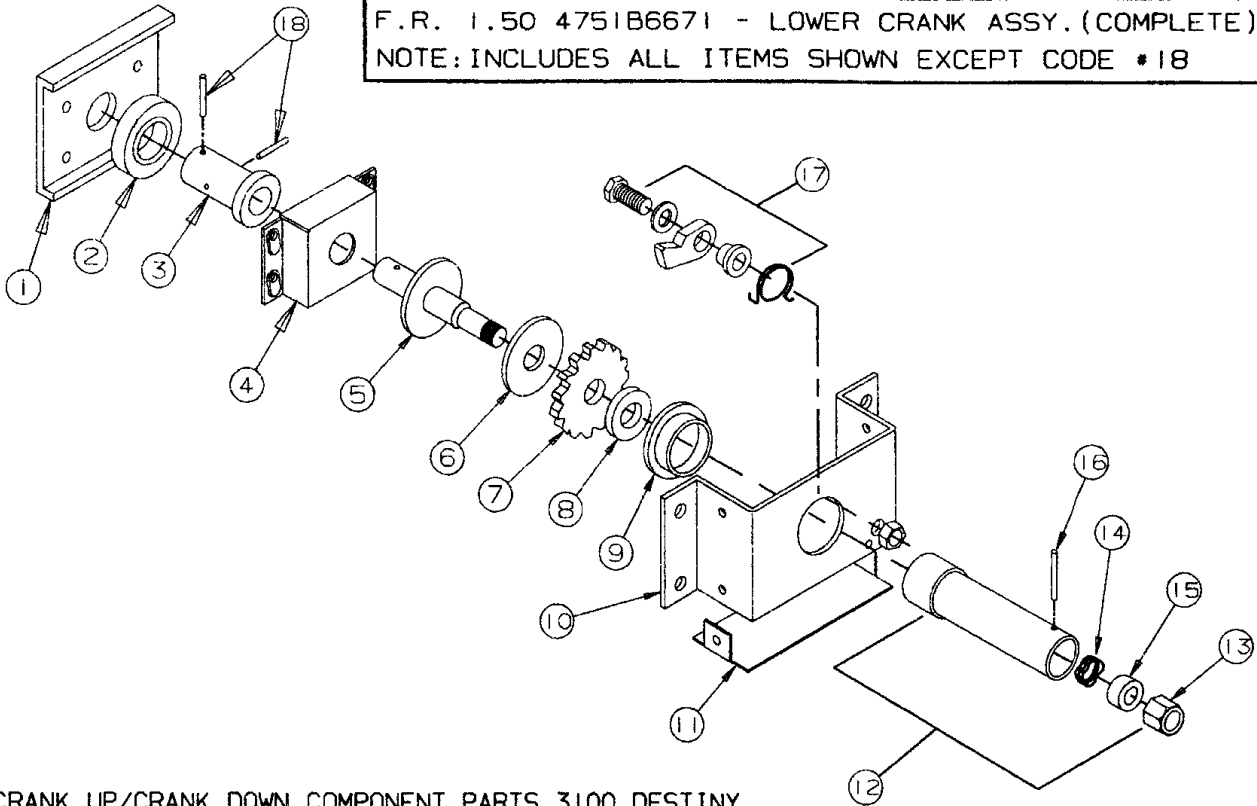
FLAT RATE

WHIFFLETREE COMPONENTS

.15	①	4749A8211	MUD FLAP & BRKT.
.50	②	4744A1748	CABLE RETAINER x2
.20	③	4720J1561	LONG PIN x2 M4
.50	④	4715A5371	PULLEY & BEARING x4 M10
.10	⑤	1204B1081	COTTER PIN x2 M10
1.60	⑥	4710B4248	BUSHING
		4749-409	ROLL PIN
1.25	⑦	4720E2371	GUIDE CHANNEL (3170,3175)
		4738A0898	HEX BOLT x8
		1201B6038	HEX NUT x8
2.00	⑧	4730D1291	SCREW SOCKET
1.25	⑨	4744-44561	EYE BOLT M4 (3170,75)
1.25		4744A4451	EYE BOLT M2 (3186,88,89,94,96)
		1201B6028	LOCKNUT 5/16"
2.00	⑩	4720-1551	PULLEY PLATE
.50	⑪	4715C5661	PULLEY SPACER
.25	⑫	4752B4921	PAN COVER (3186,88,89,94,96)

1997 DESTINY SERIES

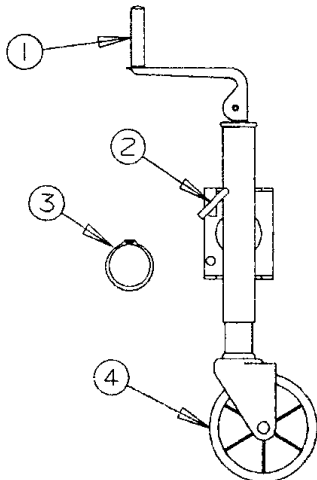
F.R. 1.50 4751B6671 - LOWER CRANK ASSY. (COMPLETE)
 NOTE: INCLUDES ALL ITEMS SHOWN EXCEPT CODE #18



FLAT RATE

CRANK UP/CRANK DOWN COMPONENT PARTS 3100 DESTINY

	① 4750A9261	PLATE	.30	⑪ 4751-3721	HOUSING COVER PLATE x2
1.50	② 4720A2421	THRUST NUT BEARING		1203-8641	RIVET M25
1.50	③ 4751B3671	THRUST NUT	.75	⑫ 4716A1741	DRIVE HUB EXTENSION PKG.
1.50	④ 4750A9251	BEARING HOUSING		NOTE: PACKAGE INCLUDES PARTS MARKED W/ASTERISK (*)	
	4738A0898	HEX BOLT x4		⑬ *4751-3551	5/8" NUT
1.25	⑤ 4751-3701	DRIVE SHAFT	.50	⑭ *4752-3921	HANDLE SPRING x1
1.00	⑥ 4751-3561	PRESSURE PLATE	.50	⑮ *4751-4671	NYLON WASHER x1
1.00	⑦ 4751-4831	RATCHET WHEEL	.10	⑯ *4747A9451	SPIROL ROLL PIN x1 M6
1.00	⑧ 4751-3581	PRESSURE WASHER	.60	⑰ 4716-1221	RATCHET PAWAL PKG.
.80	⑨ 4751-3591	SHAFT BUSHING	1.00	⑱ 4744A1301	SHEAR PIN x1 M10
.70	⑩ 4751A3691	CRANK HOUSING			
	4731-3878	HEX HEAD BOLT x4			
	1201B6038	LOCK NUT x4			



FLAT RATE

FLAT RATE .10 TONGUE JACK ASSY. - 4720B6661

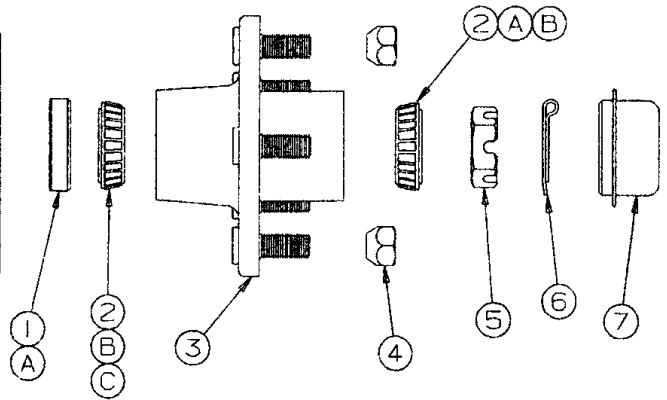
.15	① 4714-2821	JACK HANDLE KIT M2
.15	② 4714-2818	LOCKING PLUNGER KIT
.10	③ 4720A3341	SNAP RING
.25	④ 4716-6661	JACK WHEEL, NUT & BOLT

REPAIR PARTS/FLAT RATE

FLAT RATE

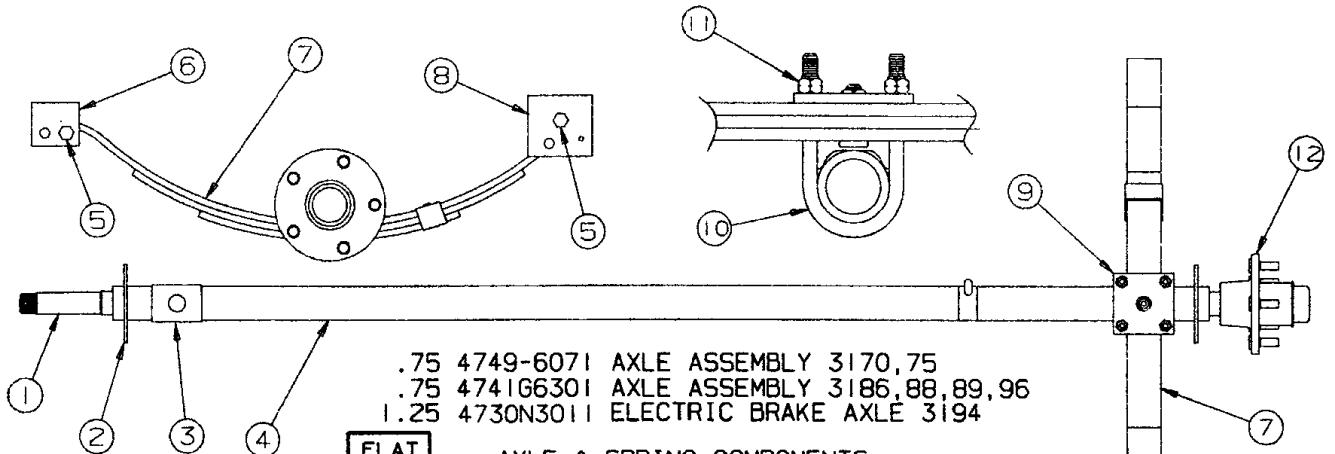
HUB ASSY. & RELATED PARTS

.50	①	4714A2201	GREASE SEAL x1 M4
.50	②	4716-1101	BEARING & RACE PKG.
.30	③	4738D0451	HUB W/RACE & LUG NUTS 3170,75
.30		4738E0451	HUB W/RACE & LUG NUTS 3186,88,89,94,96
.05	④	4747A9528	LUG NUT x5
.10	⑤	4714-3068	SLOTTED SPINDLE NUT x1
.10	⑥	1204-1268	COTTER PIN x1
.05	⑦	4714B0621	DUST CAP x1 M4



CROSSOVER NUMBERS TO PURCHASE LOCALLY

A	13194TB	GREASE SEAL
B	L44649	BEARING
C	L44610	RACE



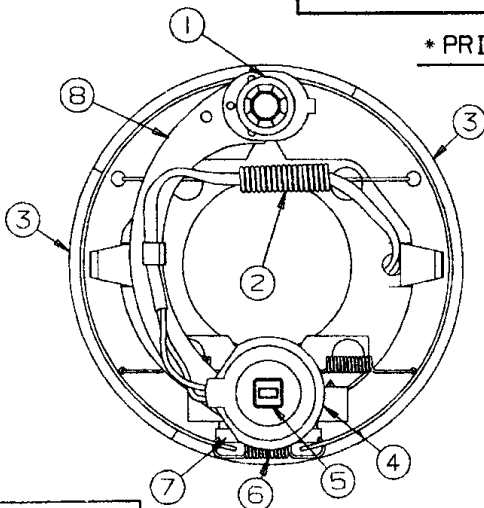
.75	4749-6071	AXLE ASSEMBLY 3170,75
.75	4741G6301	AXLE ASSEMBLY 3186,88,89,96
1.25	4730N3011	ELECTRIC BRAKE AXLE 3194

FLAT RATE

AXLE & SPRING COMPONENTS

*	①	4741B8491	SPINDLE
*	②	4741A847	BRAKE MOUNTING PLATE
*	③	4741-8461	SPRING PAD CHANNEL M2
1.00	④	4716-1571	AXLE BEAM (4749-6071 AXLE ONLY)
1.00		4741F6251	AXLE BEAM (4741G6301 AXLE ONLY)
.25	⑤	4737A1318	SHACKLE BOLT
		4741-9498	SHACKLE BOLT NUT
2.00	⑥	4741A3398	SPRING SHACKLE (REAR)
.75	⑦	4741B3381	2 LEAF SPRING (4749-6071 AXLE ONLY)
.75		4735D2201	3 LEAF SPRING (4741G6301 AXLE ONLY)
2.00	⑧	4741B3398	SPRING SHACKLE (FRONT)
.50	⑨	4741-8458	U-BOLT PLATE
.25	⑩	4741A8438	U-BOLT
	⑪	4741-9358	U-BOLT NUT

* PRIOR AUTHORIZATION NEEDED

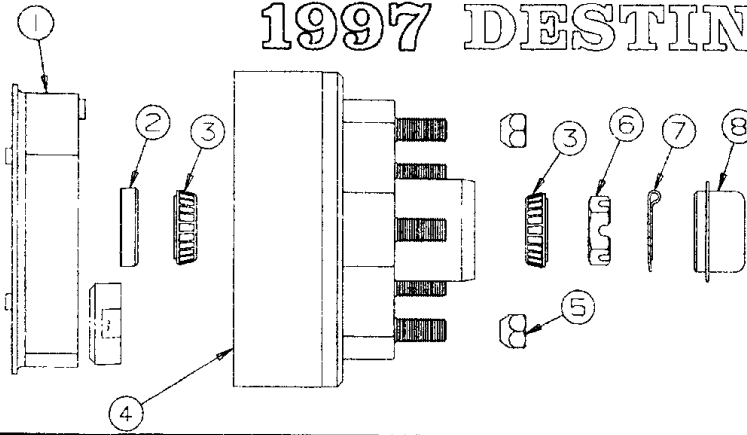


FLAT RATE .50 PER SIDE
ELECTRIC BRAKE COMPONENTS
FOR 4714H2011 BRAKE PKG.

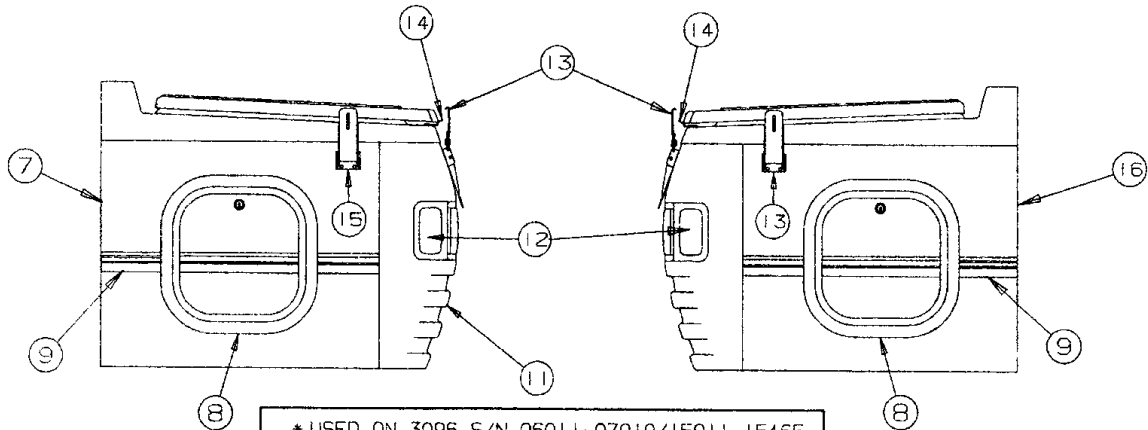
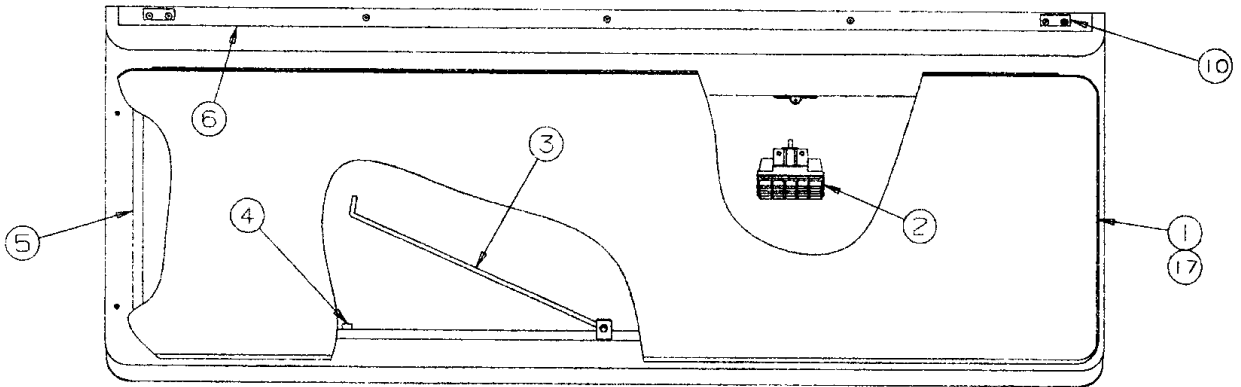
FLAT RATE

	①	4714A2461	ANCHOR POST CLIP M2
	②	4714A2411	RETRACTOR SPRING
.40	③	4714B2071	BRAKE SHOES (SET)
.40	④	4714D2451	MAGNET, SPRING & CLIP PKG.
	⑤	4714B2471	RETAINER CLIP M2
	⑥	4714A2101	ADJUSTING SCREW SPRING
	⑦	4714A2041	ADJUSTING SCREW
	⑧	4714A2841	RT. & LT. LEVER ARM PKG.
	⑨	4714B2421	MAGNET HOUSING SPRING

1997 DESTINY SERIES



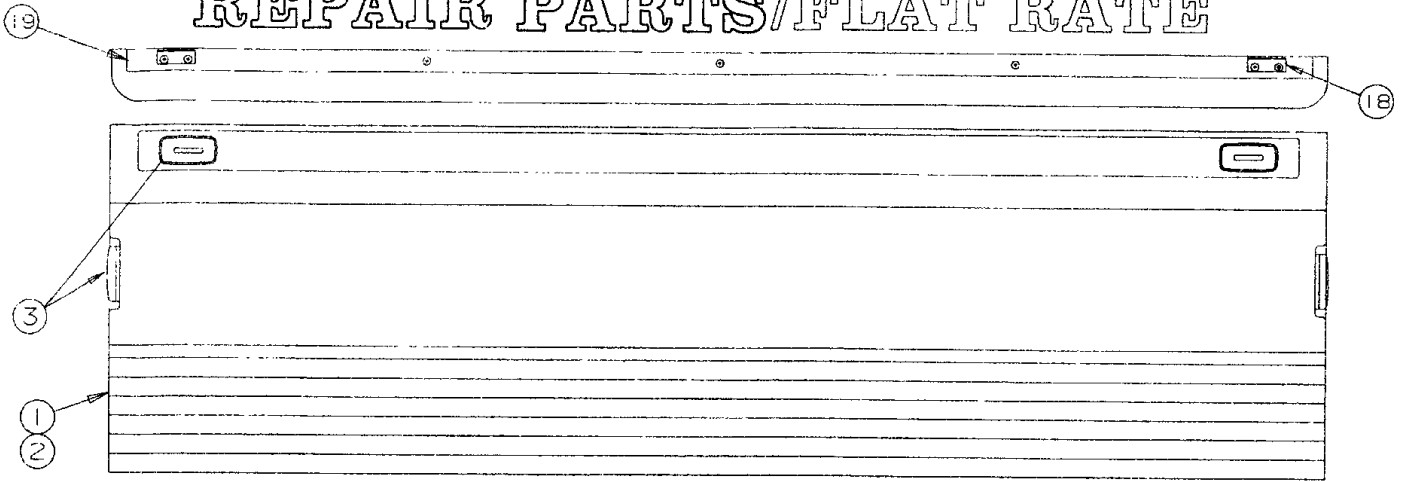
FLAT RATE	DESCRIPTION
.50	① 4733A3521 BRAKE ASSY. (RT.HAND)
.50	4733A3531 BRAKE ASSY. (LT.HAND)
.50	② 4714A2201 GREASE SEAL x2 M4
.50	③ 4716-1101 BEARING & RACE PKG.
.30	④ 4716A1071 HUB & DRUM ASSY. x2
.05	⑤ 4747A9528 LUG NUT x10
.10	⑥ 4714-3068 SPINDLE NUT x2
.10	⑦ 1204-1268 COTTER PIN x2
.05	⑧ 4714B0621 DUST CAP x2 M4



* USED ON 3096 S/N 06011-07010/15011-15465
 ** USED ON 3096 S/N 15466 THERAFTER

FLAT RATE	DESCRIPTION
1.00	① 4753-58501 LID/DECK ASSY. (COMPLETE)
.65	4753B1301 LID HINGE
	1017B1018 MACHINE SCREW x13
	1201B6928 KEPS NUT x13
.25	② 4751-1551 RIVET M25
	4751-0921 CARGO LIGHT
.15	③ 4751A1181 RIVET x2 M25
	4751-1208 PROP ROD
.10	④ 4720A0721 PUSH NUT CAP x1
	4751-1191 PROP ROD BRKT.
.40	⑤ 4751A1041 COOLER CLIP M2
.50	⑥ 4754A1041 DECK SEAL 18" REQUIRED
.80	⑦ * 4754A1971 PLASTIC TRIM ANGLE (BROWN)
.80	** 4754C1971 CURBSIDE STORAGE BOX PANEL
.45	⑧ 4751B0981 CURBSIDE STORAGE BOX PANEL
.15	⑨ 4751A8301 COMPARTMENT DOOR - LESS LOCK
	435000028P 1/8"x3/4" BUTYL TAPE (6' PC.)
	⑩ 4751B0981 LOCK ASSEMBLY (WITH KEY)
.25	⑪ 4350001733F TRIM TAPE (SOLD/FT.)
.15	⑫ 4734E1531 BED STOP ANGLE x2
.15	⑬ 4754-1531 FRONT ABS BODY PANEL
.15	⑭ 4714H08481 AMBER LENS & BASE
.15	⑮ 4741C6041 TOP LATCH W/OUT LOCK TAB x3
.15	⑯ 4741-9108 TEK SCREW x4 (FRT. LATCH ONLY)
.15	⑰ 4744B2468 MACHINE SCREW x4 (SIDE LATCH ONLY)
.15	⑱ 1201B6958 KEPS NUT x4 (SIDE LATCH ONLY)
.15	⑲ 4749B1441 STRIKE x5 M2
.15	⑳ 4741D96568 EXPANSION RIVET M25
.15	㉑ 4715F5051 TOP LATCH W/LOCK TAB
.80	NOTE: REFER TO CODE 13 FOR MOUNTING HARDWARE
.80	㉒ * 4754A1981 ROADSIDE STORAGE BOX PANEL
.80	** 4754C1981 ROADSIDE STORAGE BOX PANEL
.40	㉓ 4060000588F LID SEAL 12" REQUIRED SOLD/FT.
	㉔ 4754-2001 FLOOR SEAM DIVIDER 85 13/16"

REPAIR PARTS/FLAT RATE

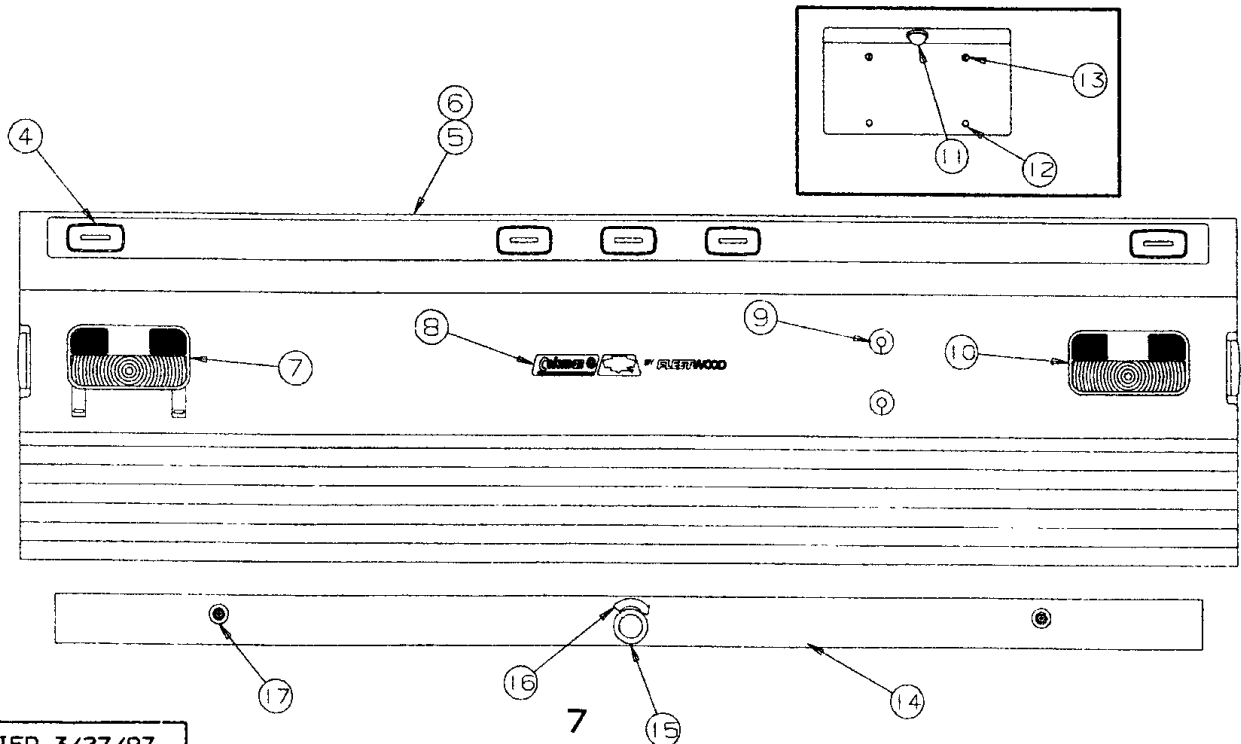


* 1.25 FLATE RATE FRT. PNL. / 2.00 FLATE RATE REAR PNL.

FLAT RATE

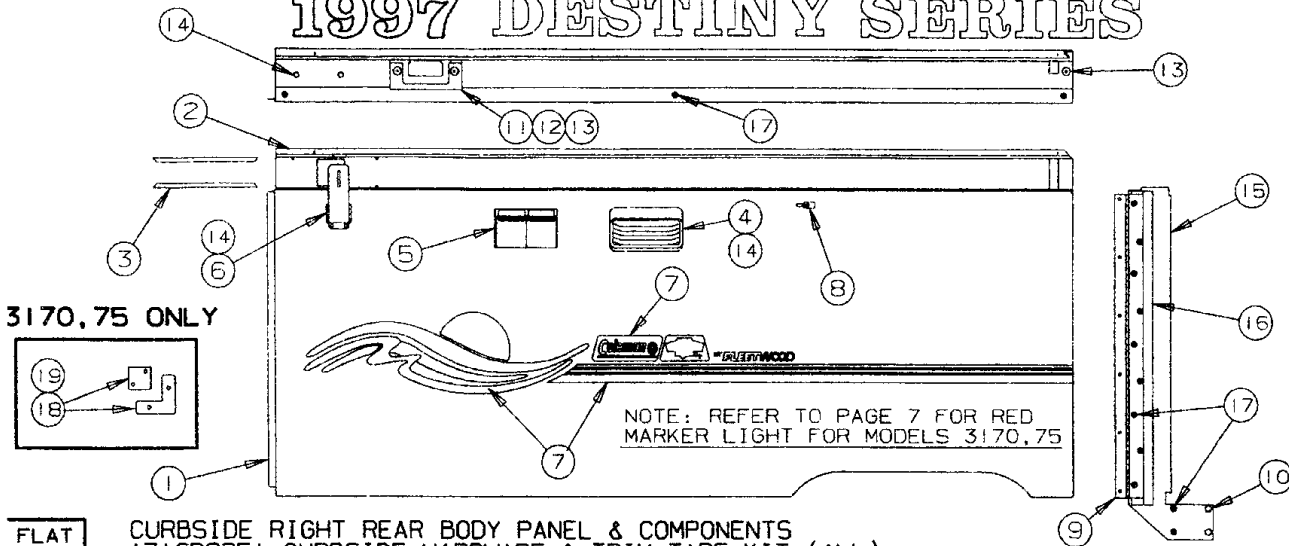
FRONT & REAR BODY PANEL ASSEMBLY COMPONENTS

* ① 4716U0951	FRT. & REAR BODY PNL. - 3186, 88, 89, 94, 96	.10	⑨ 4754-3871	FOAM GASKET M2	
	NOTE: REFER TO PAGE 6 FOR FRT. PNL. 3196 ONLY	.20	⑩ 4749B4321	TAILLIGHT (ALL)	
.65	4747C4531	FRT. BODY PNL. - 3170, 3175		NOTE: TAILLIGHT USED x2 ON 3170, 3175	
	4741D96568	EXPANSION RIVET M25 3170, 3175	.10	4716A1061	TAILLIGHT LENS
.10	4730J2138	GAS PIPING DECAL - 3170, 3175		4747-2558	RIVET M25
.75	② 4747A0801	FRT. END RAIL - 3170, 3175	.15	⑪ 4739B4311	LICENSE PLATE LIGHT 3170, 3175
.15	③ 4714H08481	AMBER LENS & BASE x4	.05	⑫ 4737A0728	RUBBER BUMPER 3170, 3175
.10	4716-4571	AMBER LENS (LENS ONLY)	.05	⑬ 4732-1181	PLASTIC GROMMET M4 3170, 3175
.25	4733H1311	SOCKET & HARNESS	.05	1121C1618	LICENSE PLATE SCREW x2
	4747-2558	RIVET M25	.30	⑭ 4751C0181	BUMPER 3170, 3175
.15	④ 4714H08581	RED LENS & BASE	.30	4754C0211	BUMPER 3186, 94, 96
.10	4716-4561	RED LENS (LENS ONLY)	.30	4754D0211	BUMPER 3188, 89
	REFER TO CODE *3 FOR HARDWARE		.10	⑮ 4733-2741	2" SNAP BUSHING
.85	⑤ 4747C4641	REAR BODY PNL. - 3170, 3175	.10	⑯ 4730H3188	"OPEN" DECAL
	4741D96568	EXPANSION RIVET M25 3170, 3175		⑰ 1032B2428	BOLT x2
.75	⑥ 4747B0791	REAR END RAIL - 3170, 3175		1202B0468	WASHER x6
.20	⑦ 4743C1311	TAILLIGHT W/HOLDER - 3186, 88, 89, 94, 96		1202B1068	WASHER x2
.10	4716A1051	TAILLIGHT LENS		1201B6068	NUT x2
	4747-2558	RIVET M25	.25	⑱ 4734E1531	BED STOP ANGLE x2 FRT. & REAR
.25	⑧ 4752B0788	COLEMAN /BY FLEETWOOD DECAL	.50	⑲ 4754A1041	PLASTIC TRIM ANGLE (BROWN)
					NOTE: USED ON BOTH FRT. & REAR PANELS



REVISED 3/27/97

1997 DESTINY SERIES



3170.75 ONLY

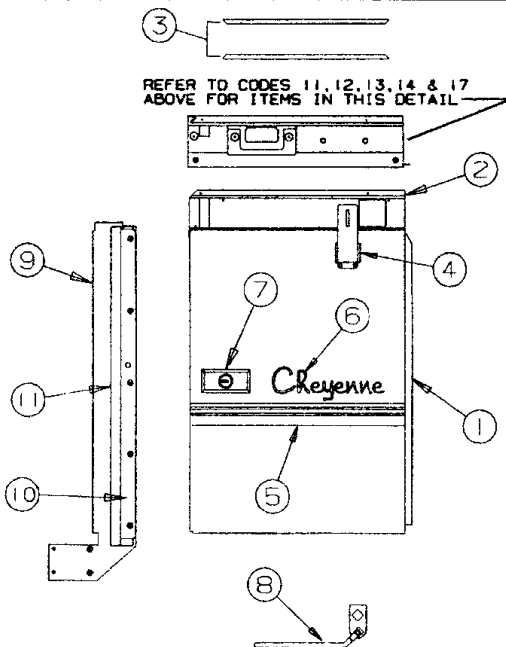
FLAT RATE CURBSIDE RIGHT REAR BODY PANEL & COMPONENTS 4716D825! CURBSIDE HARDWARE & TRIM TAPE KIT (ALL)

.50	① 4716B9751	BODY PANEL 3170.75	.15	⑥ 4741C6041	TOP LATCH (W/OUT LOCK TAB)
.85	4754B2131	BODY PANEL 3186.94		4749-4848	FOAM PAD
.85	* 4754A0151	BODY PANEL 3189	.50	⑦ 4716D8251	TRIM TAPE & HARDWARE KIT
.85	** 4754B0151	BODY PANEL 3188.89	.15	⑧ 4738-3941	TURN BUTTON & RIVET
.85	4754B1601	BODY PANEL 3196	⑨	REFER TO PAGE 9 FOR THIS ITEM (ACCESS DR. ASSY.)	
1.00	② 4749B9761	BODY RAIL 3170.75	⑩	4744A050	HEX HEAD TEK SCREW M12
1.00	4754A2241	BODY RAIL 3186.94	.25	⑪ 4734H4111	LIFT TRIM 3186.88,89,94,96
1.00	* 4754B0991	BODY RAIL 3189	.25	4734B4121	LIFT TRIM 3170.75
1.00	** 4754C0991	BODY RAIL 3188.89	.25	⑫ 4753A3941	RUBBER LIFT GASKET 3186,88,89,94,96
1.00	4754B1561	BODY RAIL 3196		4744A9581	FOAM LIFT GASKET 3170.75
.10	4723A8071	VELCRO HOOK 2x2 M4		4350000082P	FOAM TAPE (BEHIND LIFT) (4' PC.)
.10	435000005F	3/4" VELCRO HOOK (SOLD/YARD)	⑬	1203-8831	RIVET M25
.05	4710-3621	1/8" ROLL PIN M10	⑭	4741A9101	HEX HEAD TEK SCREW M10
.35	③ 4744-2621	BED SLIDE 32" MUST CUT TO SIZE	1.25	⑮ 4754-6201	DOOR BULKHEAD CSR 3186,88,89,94,96
.25	④ 4752-9921	PORCH LIGHT	1.25	4747A0101	DOOR BULKHEAD CSR 3170.75
.10	4716-5511	PORCH LIGHT LENS	.35	⑯ 4745C0811	RUBBER DOOR SEAL 3186,88,89,94,96
.25	⑤ 4746A3861	DUPLEX COVER & OUTLET	⑰	4734C1861	RIVET M25 (ARCTIC WHITE)
.35	4746-3871	DUPLEX BOX	.15	⑱ 4747-0531	INNER MITER COVER M4 3170.75
	1203-8678	RIVET M25 (RIVET BOX TO PNL.)	.15	4716C9101	OUTER MITER COVER M4 3170.75
			⑲	1203-8651	RIVET M25

* USED ON 3189 FROM S/N-05011 TO S/N-05140

** USED ON 3189 FROM S/N-05141 THEREAFTER

FLAT RATE CURBSIDE RIGHT FRONT BODY PANEL & COMPONENTS 4716D825! CURBSIDE HARDWARE & TRIM TAPE KIT

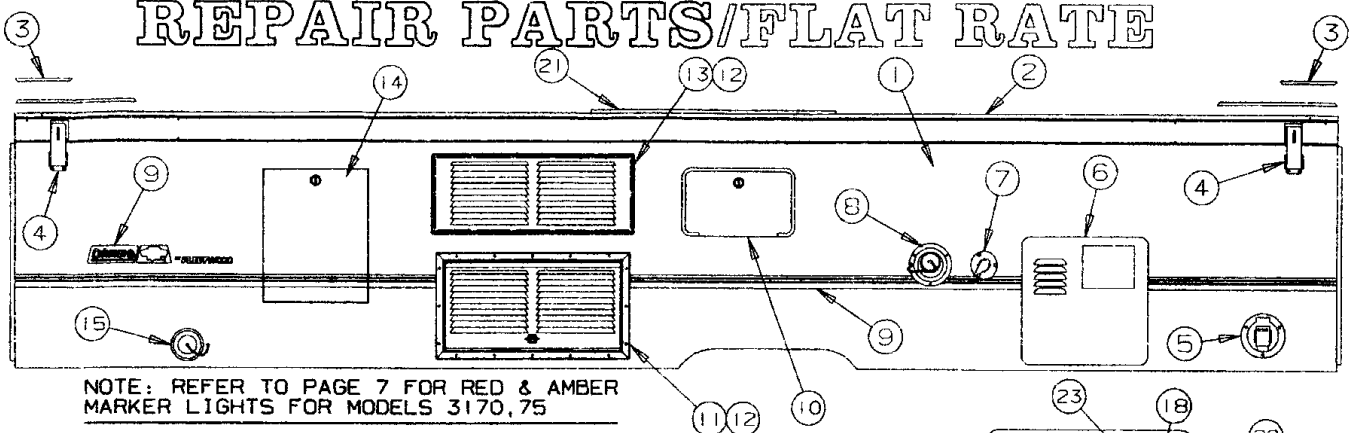


REFER TO CODES 11, 12, 13, 14 & 17 ABOVE FOR ITEMS IN THIS DETAIL

.85	① 4716C0441	BODY PANEL 3170.75	.35	③ 4744-2621	BED SLIDE 32" MUST CUT TO SIZE
1.00	4754A2121	BODY PANEL 3186.94	.15	④ 4741C6041	TOP LATCH (W/OUT LOCK TAB)
1.00	* 4754A0191	BODY PANEL 3189			NOTE: REFER TO CODE #2 ABOVE FOR HARDWARE
1.00	** 4754B0191	BODY PANEL 3188.89	.25	⑤ 4716D8251	TRIM TAPE & HARDWARE KIT
1.00	4754A1581	BODY PANEL 3196	.25	⑥ 4747G4108	LAREDO NAME DECAL 3170
1.00	② 4747B0561	BODY RAIL 3170.75	.25	4749F3198	TAOS NAME DECAL 3175
1.00	4754A2231	BODY RAIL 3186.3194	.25	4752B0168	BAYPORT NAME DECAL 3186
1.00	* 4754B0981	BODY RAIL 3189	.25	4754-3658	SEA PINE NAME DECAL 3188
1.00	** 4754C0981	BODY RAIL 3188.89	.25	4749F4438	SANTA FE NAME DECAL 3189
1.00	4754C1571	BODY RAIL 3196	.25	4754-3808	WESTLAKE NAME DECAL 3194
			.25	4751D0658	CHEYENNE NAME DECAL 3196
			1.00	⑦ 4730C3111	LOCK HANDLE (WITH KEY)
			1.00	⑧ 4747-3501	LATCH, STRIKE & LEVER 3170.75
			1.00	4754-1691	LATCH, STRIKE & LEVER 3186,88,89,94,96
			1.25	⑨ 4754-6191	DOOR BULKHEAD CSF 3186,88,89,94,96
			1.25	4747A0091	DOOR BULKHEAD CSF 3170.75
			.35	⑩ 4754A2111	BULKHEAD ANGLE 3186,88,89,94,96
			.35	4749B388	BULKHEAD ANGLE 3170.75
			.35	⑪ 4745C0811	RUBBER DOOR SEAL 3186,88,89,94,96

NOTE: REFER TO PAGE 7 FOR AMBER MARKER LIGHT FOR MODELS 3170.75

REPAIR PARTS/FLAT RATE

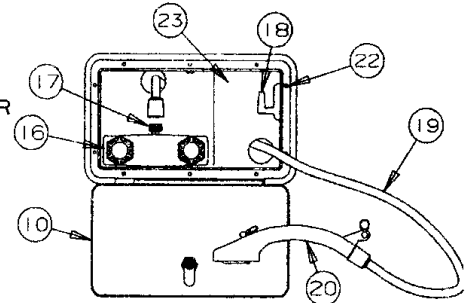


NOTE: REFER TO PAGE 7 FOR RED & AMBER MARKER LIGHTS FOR MODELS 3170,75

*** ADD .50 WATER HEATER
 *** ADD .75 FOR REEFER VENTS
 *** ADD .50 FOR HEATER VENT

NOTE: REFER TO PAGE 8 FOR LIFT TRIM & COMPONENTS

* USED ON 3189 FROM S/N-05011 TO S/N-05140
 ** USED ON 3189 FROM S/N-05141 THEREAFTER



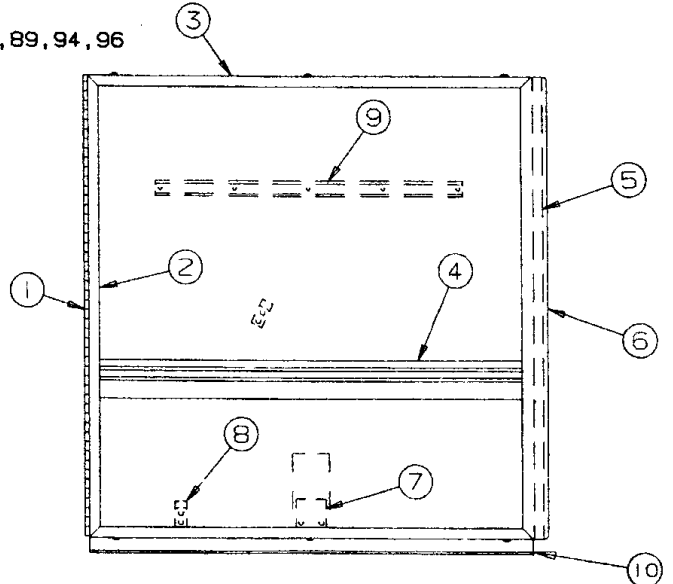
FLAT RATE ROADSIDE LEFT BODY PANEL & COMPONENTS 4716DB261 ROADSIDE TRIM TAPE & HARDWARE KIT (ALL)

1.00	① 4716B98071	BODY PANEL 3170,75	.30	⑧ 4731D1711	WATER TANK FILL SPOUT
*** 2.00	4754B2141	BODY PANEL 3186	.75	4741-350B	HEX HEAD TEK SCREW x3
*** 2.00	4754-3751	BODY PANEL 3188	.25	⑨ 4716DB261	TRIM TAPE & HARDWARE KIT
*** 2.00	* 4754A0181	BODY PANEL 3189	.15	⑩ 4750-2951	O/S SHOWER DOOR & FRAME 3194
*** 2.00	** 4754B0181	BODY PANEL 3189	.25	4750A2961	LOCK ASSY. (WITH KEY)
*** 2.25	4754-3791	BODY PANEL 3194	.05	⑪ 4754-6411	LOUVERED DOOR PANEL (REFRIG.VENT)
*** 2.00	4754B1591	BODY PANEL 3196		4753-9161	CLEAR HINGE SEAL 19" PC.
3.00	② 4747A0581	BODY RAIL 3170,75	.25	⑫ 4745-396B	SCREW "ARCTIC WHITE"
3.00	4754A2251	BODY RAIL 3186,94	.25	⑬ 4747D8321	LOUVERED PANEL (REFRIGERATOR VENT)
3.00	4754B1001	BODY RAIL 3188,89		⑭ 4746B6321	POTTI HATCH DOOR 3194
3.00	4754-3251	BODY RAIL 3196	.15	4746D5121	WOOD FRAMING
	4733D0601	RIVET M25	.15	4060000407F	P-SEAL (AROUND WOOD FRAMING)
.10	4723A8071	VELCRO HOOK 2x2 M4	.15	4751A8301	LOCK ASSY. (WITH KEY)
.05	4710-3621	1/8" ROLL PIN M10	.15	4742B1261	HINGE x2 PER DOOR
.35	③ 4744-2621	BED SLIDE 32" MUST CUT TO SIZE	.50	1203-867B	RIVET M25 x2 PER HINGE
.15	④ 4741C6041	TOP LATCH (W/OUT LOCK TAB)	.10	⑮ NOTE: REFER TO PAGE 16 CODE *16 FOR THIS ITEM	
	4749-484B	FOAM PAD	.15	⑯ 4741B2071	SHOWER DIVERTER
	4741A9101	TEK SCREW (x4 PER LATCH) M10	.15	⑰ 4716-044B	SHOWER HOSE CONNECTOR
.15	⑤ 4733B23361	CABLE HATCH	.20	⑱ 4750-1761	SHOWER HEAD BRKT.
	4741-350B	HEX HEAD TEK SCREW x3	.15	⑲ 4741B2051	SHOWER HOSE
.25	⑥ 4716-1331	WATER HEATER DOOR 3194		⑳ 4746A3761	SHOWER HEAD
.30	⑦ 4732F1521	CITY FILL	.25	㉑ 4737D2231	CURTAIN TRACK
	4741-350B	HEX HEAD TEK SCREW x3		1203-867B	RIVET M25
				㉒ 4741D9656B	EXPANSION RIVET M25
				㉓ 4750-3331	AUXILIARY SHOWER BOX

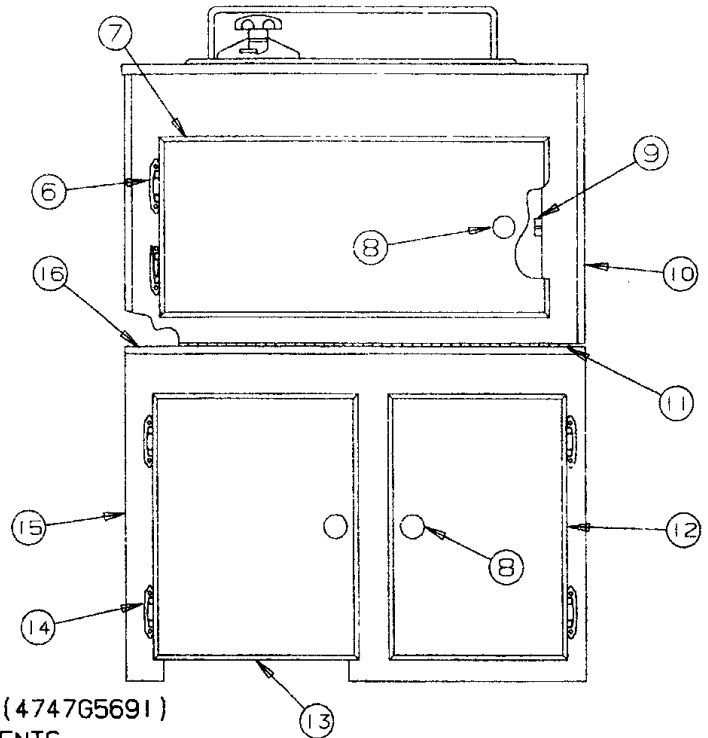
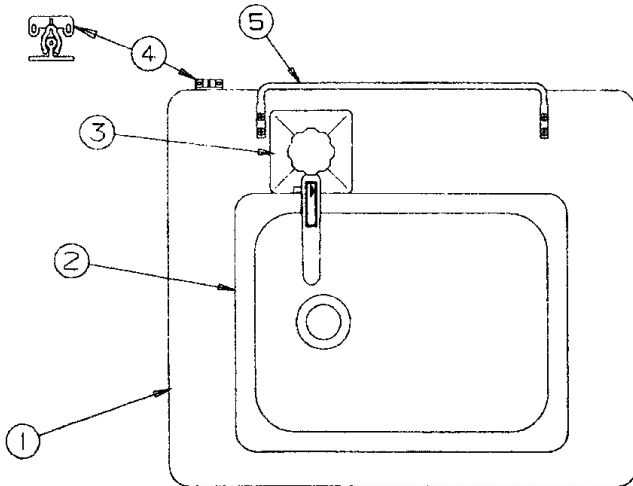
F.R. -.50 4749G6471 - ACCESS DOOR ASSEMBLY 3170,75

F.R. -.50 4754B5111 - ACCESS DOOR ASSEMBLY 3186,88,89,94,96

FLAT RATE	ACCESS DOOR ASSY. COMPONENTS	
.45	① 4747A3621	DOOR HINGE 3170,75
.45	4754B0281	DOOR HINGE 3186,88,89,94,96
.60	② 4747A359	DOOR FRAME 3170,75
.60	4754-0251	DOOR FRAME 3186,88,89,94,96
.25	③ 4749A9821	DOOR CAP 3170,75
.25	4749B9821	DOOR CAP 3186,88,89,94,96
.25	④ 4350001733F	TRIM TAPE (ALL) SOLD/FT.
.20	⑤ 4060000023P	D-SEAL (4'PACKAGED)
.25	⑥ 4747A3601	DOOR FRAME 3170,75
.25	4754A0261	DOOR FRAME 3186,88,89,94,96
.10	⑦ 4749A9941	DOOR BRACKET (ALL)
.10	⑧ 4720A0721	COOLER CLIP M2
	4745-396B	SCREW x2
.25	⑨ 4750B8481	STOVE SUPPORT
	4716-081	SCREW
.25	⑩ 4747B3611	BOTTOM TRIM 3170,75
.25	4754-2541	BOTTOM TRIM 3186,88,89,94,96
.05	DOOR ADJUSTMENT	



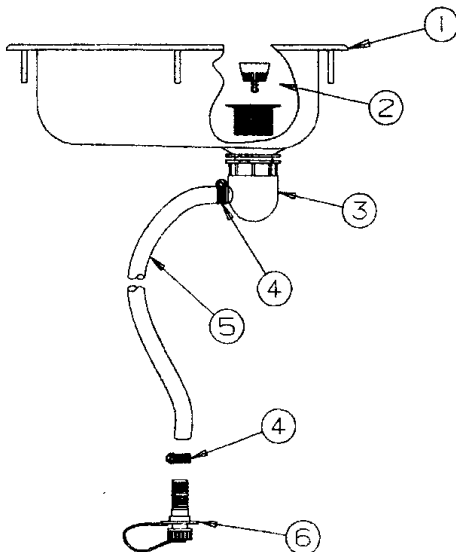
1997 DESTINY SERIES



.75 UPPER GALLEY ASSY. - 3170 LAREDO (4747G5691)
UPPER & LOWER GALLEY ASSY. COMPONENTS

FLAT
RATE

1.00	① 4747J3311	UPPER GALLEY TOP	.15	⑦ 4754-1481	DOOR PANEL 16" x 9 1/4"
.25	4060500084F	T-MOLDING (SOLD/FOOT)	.10	⑧ 4748A3951	DOOR PULL (INCLUDES SCREW)
.30	② 4710F0301	SINK	.15	⑨ 4733-6391	LATCH & STRIKE PKG.
		NOTE: REFER TO PAGE FOR SINK COMPONENTS	.65	⑩ 4716A0151	CORNER MOLDING
.40	③ 4734D0161	HAND PUMP	.50	⑪ 4747-9671	GALLEY HINGE (MUST CUT TO SIZE)
	4716-081	SCREW x4	.15	⑫ 4754-0561	DOOR PANEL 9 1/8" x 14"
.15	④ 4744A9261	KNUCKLE LATCH	.15	⑬ 4754-1461	DOOR PANEL 10 3/4" x 14"
	4738-3088	SCREW x2	.10	⑭ 4745C26188	HINGE (SPRING LOADED)
.25	⑤ 4734H0991	GRAB BAR 14 1/2"	1.50	⑮ 4747F3261	LOWER GALLEY FRONT
	1016B08208	MACHINE SCREW x4	.75	⑯ 4747E3291	LOWER GALLEY TOP
	1201B6908	KEPSNUT x4		4744B4608	RIVET "ELM" M25
.15	⑥ 4739B0518	HINGE	.25	4746A0971	KILL SWITCH & MOUNTING BRKT.
	4749B4118	1/2" SCREW (x2 PER HINGE)		4716-075	SCREW x2
	4749B4598	3/8" SCREW (x3 PER HINGE)			

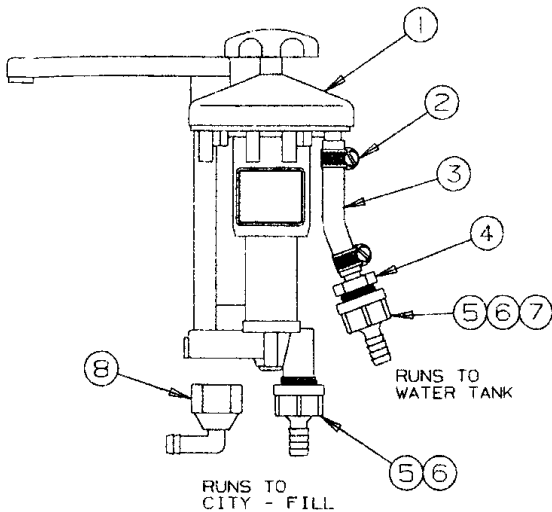


FLAT
RATE

SINK & COMPONENT PARTS

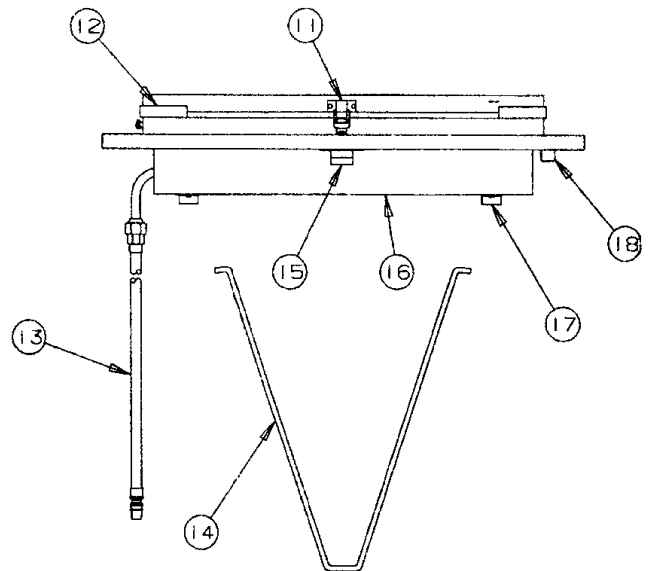
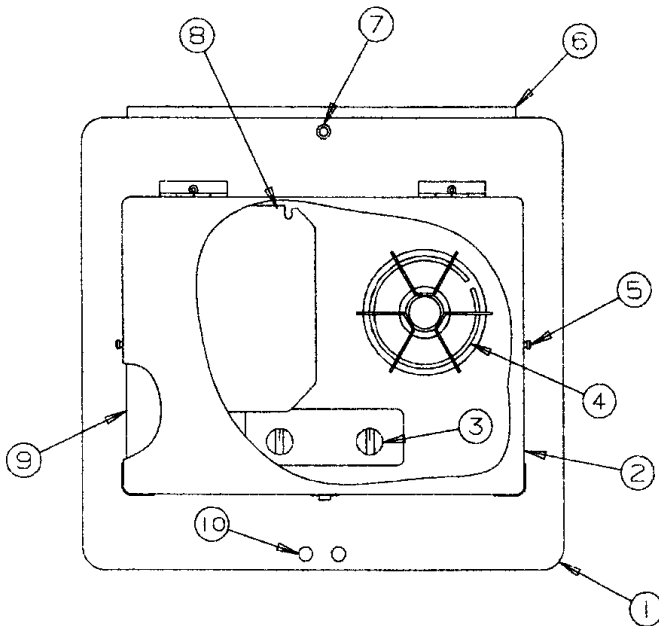
.30	① 4710F0301	SINK
.05	② 4714B0661	CRUMB CUP "ONLY"
.25	4730D3151	CRUMB CUP & BASKET
	③ 4734A0671	DRAIN TRAP M2
	④ 4744-2678	HOSE CLAMP
.20	⑤ 4742A8781	DRAIN HOSE 8'PC.
.20	⑥ 4734C0681	DRAIN SPOUT M2
.10	4714-0021	CAP & STRAP M2

REPAIR PARTS/FLAT RATE



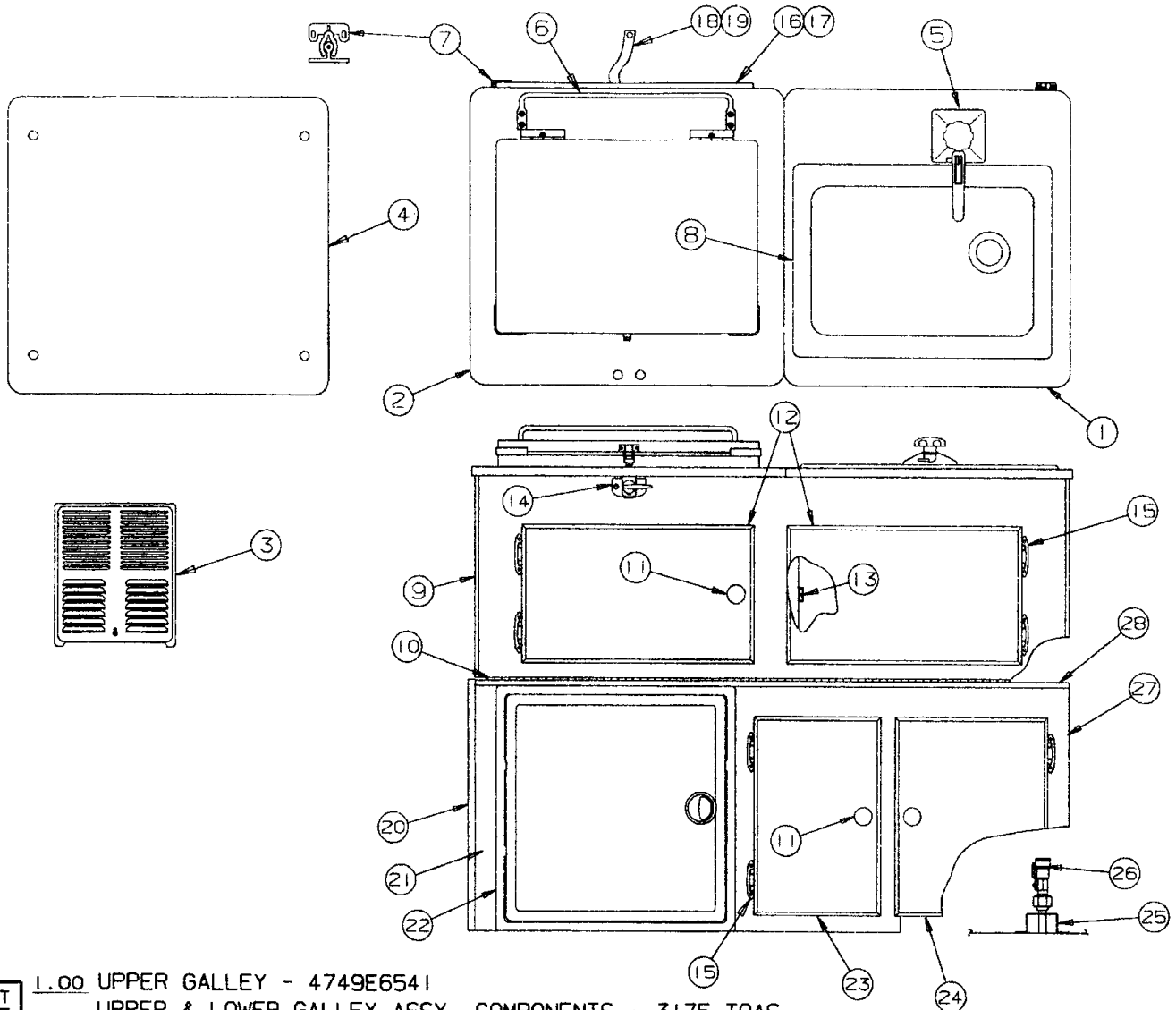
FLAT RATE	HAND PUMP & RELATED PARTS	
.40	① 473400161	HAND PUMP
	4716-081	SCREW x4
	② 4731-3058	ADJUSTABLE HOSE CLAMP
.35	③ 4714-338	3/8" H.P. HOSE (SOLD/FOOT)
.20	④ 4732-4561	MALE ADAPTER
.20	⑤ 4741-9568	BARBED ADAPTER
.20	⑥ 1202-5828	RUBBER WASHER
.20	⑦ 4754-4418	ROUND FILTER SCREEN
.20	⑧ 4741-2351	STREET ELBOW

TO ORDER REPAIR PARTS
FOR MODEL #150-000-00 SHURFLO PUMP
CALL: 1-800-854-3218 GARDEN GROVE, CA.
CALL: 1-800-762-8094 ELKHART, IN.



FLAT RATE	.10 COMPLETE STOVE ASSY. LIFT-OUT STOVE COMPONENT PARTS	
.60	① 4754-0451	COUNTER TOP 3186,88,89,94,96
.60	4754-04581	COUNTER TOP 3175
.60	4742F8141	COUNTER TOP 3170
	4060500084F	T-MOLDING SOLD/FT.
.15	② 4748B6461	STOVE COVER ASSY. 3186,88,89,94,96
.15	4749D6601	STOVE COVER ASSY. 3170,75
.05	③ 4716-1861	KNOB
.05	④ 4716-1851	STOVE GRATE
.05	⑤ 4716A0881	THUMB SCREW M6
.05	4746-8661	PLASTIC THUMB SCREW M6
.35	⑥ 4754-0471	STOVE HANGER BRACKET
.05	⑦ 4730A3548	STUD W/SCREW
.25	⑧ 4746A8541	STOVE FIN x2 3186,88,89,94,96
.25	4749B99381	STOVE FIN x2 3170,75
.25	4741A4401	HINGE (x2 PER FIN)
	1203-8558	RIVET M25 (x2 PER HINGE)
.15	⑨ 4746A8561	COOK TOP 3186,88,89,94,96
.15	4746-9491	COOK TOP 3170,75
	⑩ 4739E2908	SCREW CAP
	4739-2918	SCREW CAP WASHER
.20	⑪ 4733-4018	STOVE COVER LATCH
	1203-8558	RIVET x2 PER LATCH M25
.10	4733-4028	STRIKE
	4737-8478	SCREW
.05	⑫ 4732A2291	EDGE MOLDING M2
.25	⑬ 4752A2471	GAS HOSE W/LP PLUG (ALL)
.05	⑭ 4748-2731	STOVE SUPPORT LEG (ALL)
.15	⑮ 4754A08861	STRIKE (ALL)
.75	⑯ 4739G2931	STOVE BOX 3186,88,89,94,96
.75	4748C2581	STOVE BOX 3170,75
.20	⑰ 4740A189	SUPPORT BRACKET x2
	1203-8641	RIVET M25
.05	⑱ 4724-2608	STOP BUTTON

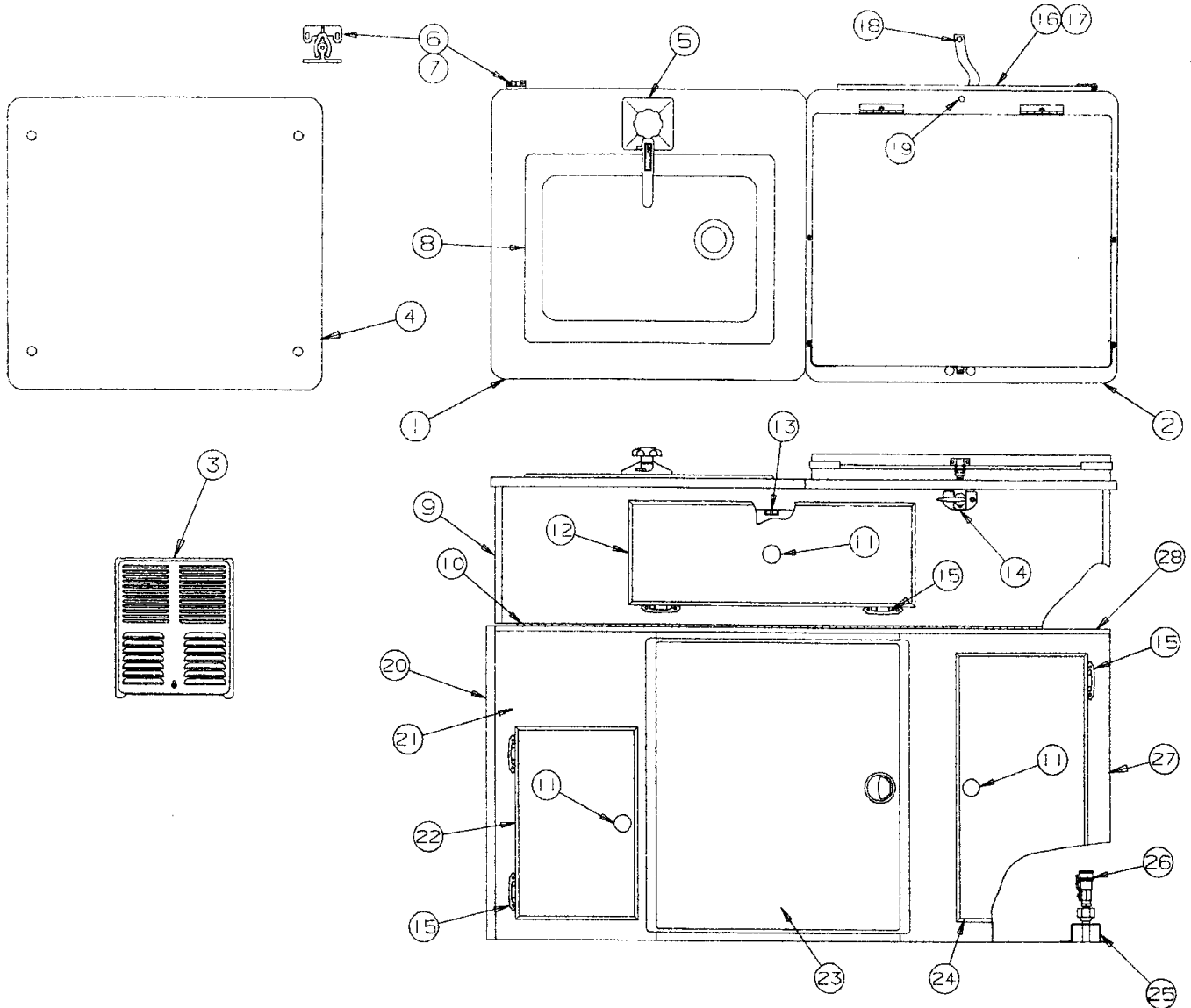
1997 DESTINY SERIES



1.00 UPPER GALLEY - 4749E6541
UPPER & LOWER GALLEY ASSY. COMPONENTS - 3175 TOAS

FLAT RATE	QTY	PART NUMBER	DESCRIPTION	QTY	PART NUMBER	DESCRIPTION
1.00	1	4749J9921	UPPER GALLEY TOP	.15	3	4733-6391 LATCH & STRIKE PKG.
.25		406050084F	T-MOLDING (SOLD/FOOT) 4' REQUIRED	.20	14	4754-0501 LATCH
.10	2	4754-51781	LIFT OUT STOVE ASSY. NOTE: REFER TO PAGE 11 FOR STOVE COMPONENTS	.10	15	4739B0518 HINGE
.10	3	4743-3551	FURNACE GRILL "ELM"	.10		4745C26188 HINGE (SPRING LOADED)
.10	4	4754-5391	CUTTING BOARD	.35	16	4750AB481 STOVE SUPPORT
.10		4724-2608	STOP BUTTON x4	.35	17	4754-0461 STOVE SUPPORT BRKT.
.40	5	4734D0161	HAND PUMP	.10	18	4723B5061 SAFETY STRAP
		4716-081	SCREW x4	.05	19	4730A3548 STUD W/SCREW
.25	6	4734H0991	GRAB BAR 14 1/2"	.35	20	4749D9891 SEAT END
			NOTE: REFER TO PAGE 10 FOR MOUNTING HARDWARE	.75	21	4752A208 LOWER GALLEY FRONT "SMALL"
.15	7	4744A9261	KNUCKLE LATCH	.50	22	4752A57781 BUILT-IN COOLER
		4738-3088	SCREW x2	.40		4752A5761 COOLER DOOR
.30	8	4710F0301	SINK			NOTE: REFER TO PAGE 18 FOR COOLER COMPONENTS
			NOTE: REFER TO PAGE 10 FOR SINK COMPONENTS	.15	23	4754-0561 DOOR PANEL 14" x 9 1/8"
.65	9	4716A0151	3/8" F-CHANNEL 24" PC.	.15	24	4754-1461 DOOR PANEL 14" x 10 3/4"
.50	10	4747-9671	HINGE	.20	25	4748-4061 BRACKET
		1103B08148	7/8" SCREW x6	.40	26	4749A9971 QUICK DISCONNECT
		1016B08208	MACHINE SCREW x2	1.50	27	4749D990 GALLEY FRONT "LARGE"
		1201B6908	NUT x2	.75	28	4747F4371 LOWER GALLEY TOP
.10	11	4748A3951	DOOR PULL (INCLUDES SCREW)			4744B4608 RIVET M25
.15	12	4754-1481	DOOR PANEL x2 - 9 1/4" x 15 3/4"	.20		4746A0971 KILL SWITCH

REPAIR PARTS/FLAT RATE

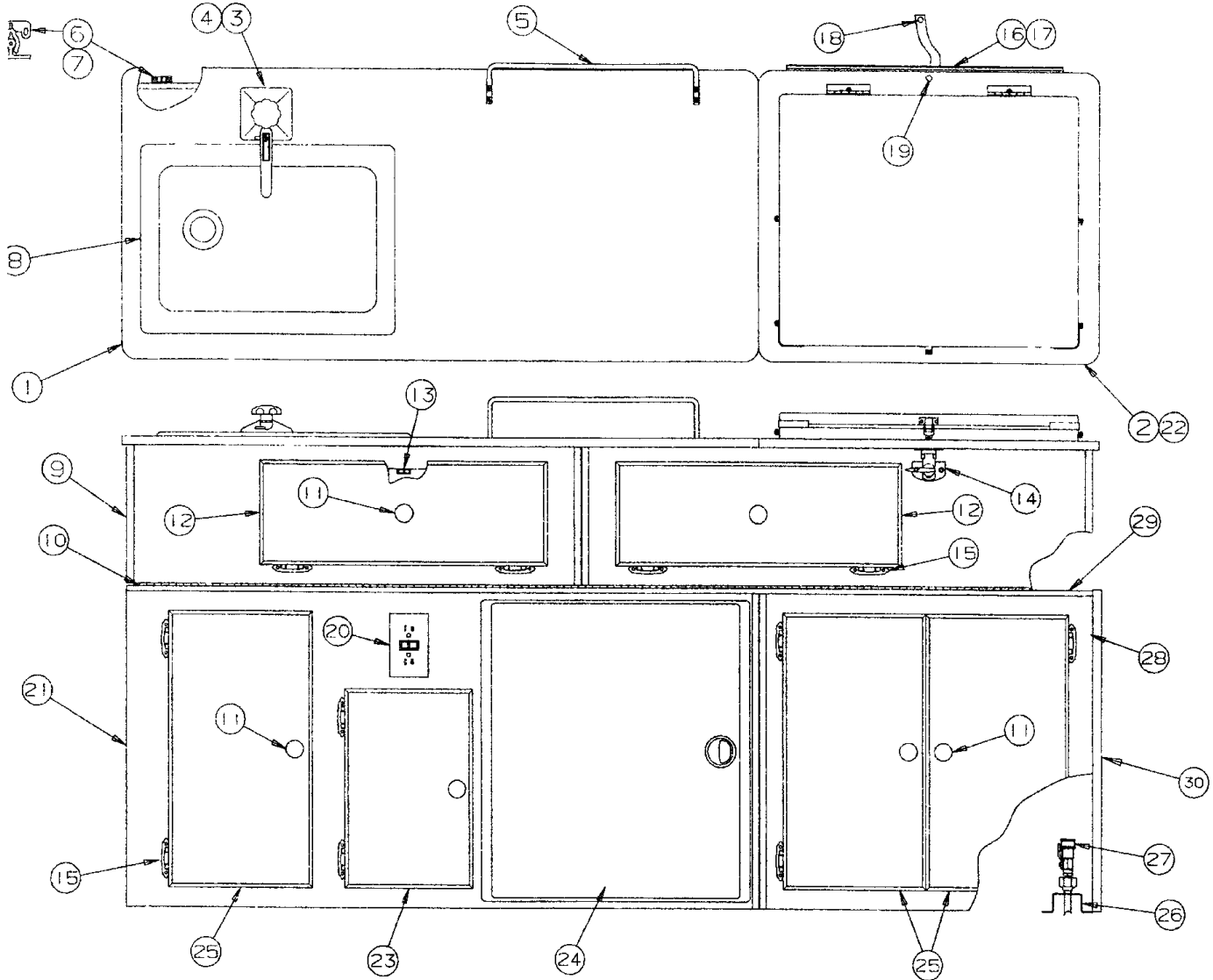


1.00 UPPER GALLEY ASSEMBLY - 4754-5161 - 3189,3196			
FLAT RATE		UPPER & LOWER GALLEY ASSY. COMPONENTS - 3189,3196	
1.00	① 4754B0421	UPPER GALLEY TOP	.15
.25	4060500084F	T-MOLDING (SOLD/FOOT) 8' REQUIRED	.20
.10	② 4754-5171	LIFT OUT STOVE ASSY.	.10
	NOTE: REFER TO PAGE 11 FOR STOVE COMPONENTS		
.10	③ 4743-3551	FURNACE GRILL "ELM"	.10
.10	④ 4754-5751	CUTTING BOARD	.35
.10	4724-2608	STOP BUTTON x4	.35
.40	⑤ 4734D0161	HAND PUMP	.10
	4716-081	SCREW x4	.05
.15	⑥ 4744A9261	KNUCKLE LATCH	.75
	⑦ 4738-3088	SCREW x2	.75
.30	⑧ 4710F0301	SINK	.15
	NOTE: REFER TO PAGE 10 FOR SINK COMPONENTS		
.65	⑨ 4716A0151	3/8" F-CHANNEL 24" PC.	.50
.50	⑩ 4747-9671	HINGE	.15
	1103B08148	7/8" SCREW x6	.20
	1016B08208	MACHINE SCREW x2	.40
	1201B6908	NUT x2	1.50
.10	⑪ 4748A3951	DOOR PULL (INCLUDES SCREW)	.75
.15	⑫ 4754-2131	DOOR PANEL 20" x 7 1/8"	.20
	⑬ 4733-6391	LATCH & STRIKE PKG.	
	⑭ 4754-0501	LATCH	
	⑮ 4739B0518	HINGE	
	4745C26188	HINGE (SPRING LOADED)	
	⑯ 4750A8481	STOVE SUPPORT	
	⑰ 4754-0461	STOVE SUPPORT BRKT.	
	⑱ 4723B5061	SAFETY STRAP	
	⑲ 4730A3548	STUD W/SCREW	
	⑳ 4754-2611	SEAT GAZOODI	
	㉑ 4754B0311	LOWER GALLEY FRNT. LT.	
	㉒ 4754-0561	DOOR PANEL 14" x 9 1/8"	
	㉓ 4754A0481	BUILT-IN COOLER	
	㉔ *4754-0571	DOOR PNL. 19" x 11 3/4"	
	**4754-3701	DOOR PNL. 19" x 9 3/4"	
	㉕ 4748-4061	BRACKET	
	㉖ 4749A9971	QUICK DISCONNECT	
	㉗ 4754A2981	LOWER GALLEY FRNT. RT.	
	㉘ 4754A0321	LOWER GALLEY TOP	
	4744B4608	RIVET M25	
	4746A0971	KILL SWITCH	

REVISED 3/27/97

* USED ON TRAILERS PRIOR TO 6/29/96
 ** USED ON TRAILERS AFTER 6/29/96

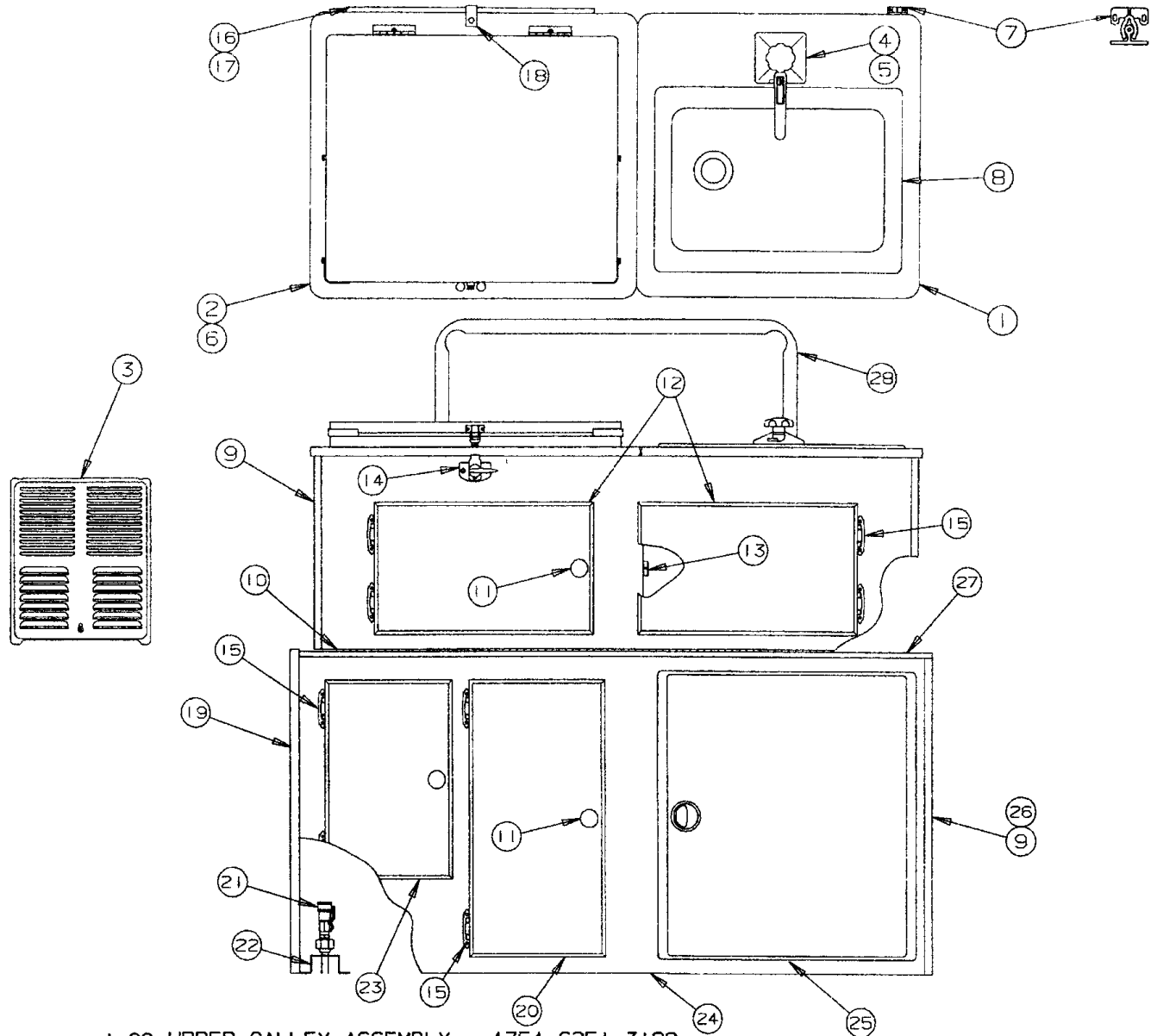
1997 DESTINY SERIES



1.00 UPPER GALLEY ASSEMBLY - 4754-5881
 FLAT UPPER & LOWER GALLEY ASSY. COMPONENTS - 3186 BAYPORT

1.00	① 4754B2181	UPPER GALLEY TOP	.10	⑮ 4739B0518	HINGE
.25	4060500084F	T-MOLDING (SOLD/FOOT) 11' REQUIRED	.10	4745C26188	HINGE (SPRING LOADED)
.10	② 4754-5171	LIFT OUT STOVE ASSY.	.35	⑯ 4750A8481	STOVE SUPPORT
		NOTE: REFER TO PAGE 11 FOR STOVE COMPONENTS	.35	⑰ 4754-0461	STOVE SUPPORT BRKT.
.40	③ 4734D0161	HAND PUMP	.10	⑱ 4723B5061	SAFETY STRAP
	④ 4716-081	SCREW x4	.05	⑲ 4730A3548	STUD W/SCREW
.25	⑤ 4734H0991	GRAB BAR 14 1/2"	.35	⑳ 4746A3841	G.F.I. RECEPTACLE
		NOTE: REFER TO PAGE 10 FOR MOUNTING HARDWARE	1.50	㉑ 4754A216	LOWER GALLEY FRONT "LEFT"
.15	⑥ 4744A9261	KNUCKLE LATCH	.10	㉒ 4754-5751	CUTTING BOARD
	⑦ 473B-3088	SCREW x2	.05	4724-2608	STOP BUTTON x4
.30	⑧ 4710F0301	SINK	.15	㉓ 4754-0561	DOOR PANEL 14" x 9 1/8"
		NOTE: REFER TO PAGE 10 FOR SINK COMPONENTS	.50	㉔ 4754A0481	BUILT-IN COOLER
.65	⑨ 4716A0151	3/8" F-CHANNEL 24" PC.	.15	㉕ 4754-3701	DOOR PANEL x 3 - 19" x 9 3/4"
.60	⑩ 4754-231	GALLEY HINGE	.20	㉖ 474B-4061	BRACKET
	1103808148	7/8" SCREW	.40	㉗ 4749A9971	QUICK DISCONNECT
	1016B08208	MACHINE SCREW x2	.75	㉘ 4754A215	GALLEY FRONT "RIGHT"
	1201B6908	NUT x2	.85	㉙ 4754-2261	LOWER GALLEY TOP
.10	⑪ 474BA3951	DOOR PULL (INCLUDES SCREW)	.15	4744B4608	RIVET M25
.15	⑫ 4754-2331	DOOR PANEL 20"x7 1/8"	.75	4746A0971	KILL SWITCH
.15	⑬ 4733-6391	LATCH & STRIKE PKG.	.75	⑳ 4754-05881	GAZOODI
.20	⑭ 4754-0501	LATCH			

REPAIR PARTS/FLAT RATE



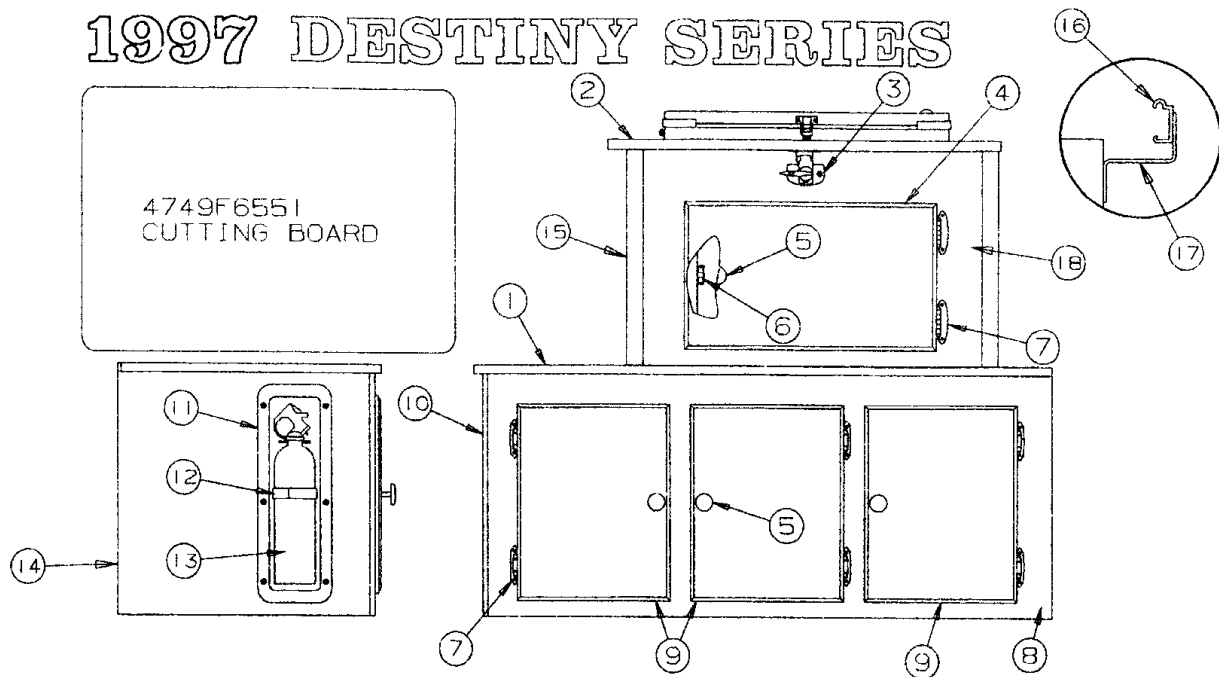
1.00 UPPER GALLEY ASSEMBLY - 4754-6251 3188

1.00 UPPER GALLEY ASSEMBLY - 4754-6681 3194

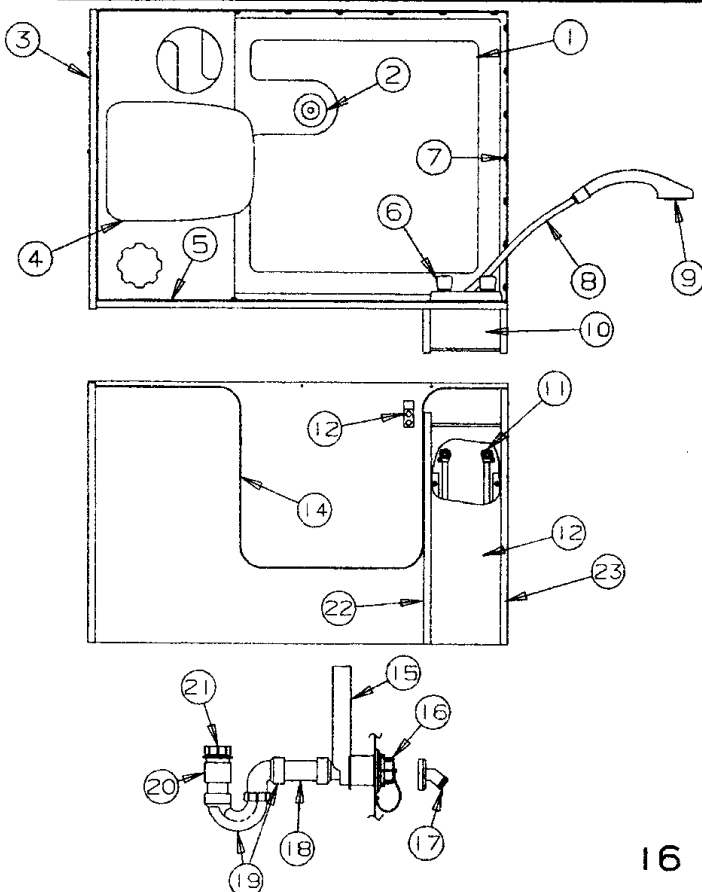
UPPER & LOWER GALLEY ASSY. COMPONENTS - 3188,3194

FLAT RATE	Part Number	Description	Part Number	Description	
1.00	① 4754B0421	UPPER GALLEY TOP 3188	.35	⑩ 4750A8481	STOVE SUPPORT
1.00	4754-4051	UPPER GALLEY TOP 3194	.35	⑪ 4754-0461	STOVE SUPPORT BRKT.
.25	4060500084F	T-MOLDING (SOLD/FOOT) 8" REQUIRED	.10	⑫ 4723B5061	SAFETY STRAP
.10	② 4754-5171	LIFT OUT STOVE ASSY. (3188,94)	.05	4730A3548	STUD W/SCREW
		NOTE: REFER TO PAGE 11 FOR STOVE COMPONENTS	.75	⑬ 4754-3431	SEAT GAZOODI 3188
.10	③ 4743-3551	FURNACE GRILL "ELM"	.75	4754-3881	SEAT GAZOODI 3194
.40	④ 4734D0161	HAND PUMP 3188	.15	⑭ 4754-3701	DOOR PNL. 19" x 9 3/4"
	4716-081	SCREW x4	.40	⑮ 4749A9971	QUICK DISCONNECT
.50	⑤ 4745D2741	MIXER FAUCET 3194	.20	⑯ 4748-4061	BRACKET
.10	⑥ 4754-5751	CUTTING BOARD (3188,94)	.15	⑰ 4754-0561	DOOR PNL. 14" x 9 1/8"
.05	4724-2608	STOP BUTTON x4	1.50	⑱ 4754A3441	LOWER GALLEY FRONT 3188
.15	⑦ 4744A9261	KNUCKLE LATCH	1.50	4754B3841	LOWER GALLEY FRONT 3194
	4738-3088	SCREW x2	.50	⑳ 4754A0481	BUILT-IN COOLER
.30	⑧ 4710F0301	SINK 3188	.75	4754-422	LOWER GALLEY SIDE 3188
.30	4745B2801	SINK 3194	.75	㉑ 4754-3391	LOWER GALLEY TOP 3188
.65	⑨ 4716A0151	3/8" F-CHANNEL 24" PC.	.75	4754-3831	LOWER GALLEY TOP 3194
.50	⑩ 4747-9671	HINGE	.75	4744B4608	RIVET M25
.15	⑪ 4748A3951	DOOR PULL (INCLUDES SCREW)	.15	4746A0971	KILL SWITCH
.15	⑫ 4754-1481	DOOR PANEL 9 1/4" x 15 3/4"	.15	4733C4981	ROCKER SWITCH 3194
.15	⑬ 4733-6391	LATCH & STRIKE PKG.	.20	㉒ 4754-6691	GALLEY LIFT BAR 3188,94
.20	⑭ 4754-0501	LATCH			
.10	⑮ 4739B0518	HINGE			
.10	4745C26188	HINGE (SPRING LOADED)			

1997 DESTINY SERIES

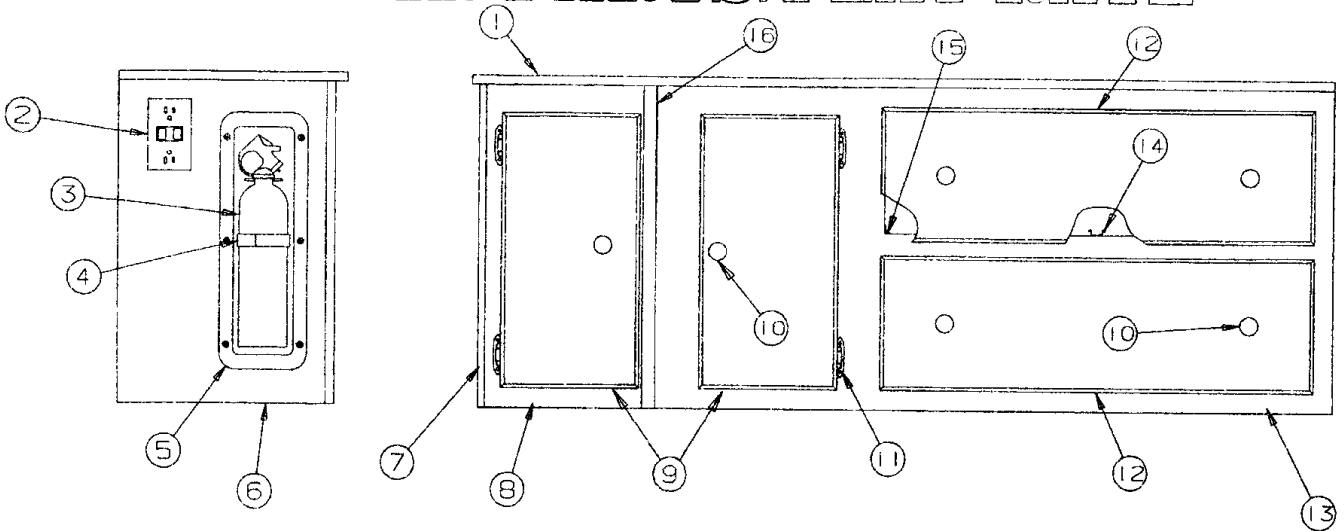


STOVE BOX & HUTCH COMPONENTS - 3170			
.75	① 4747G3331 HUTCH TOP	.15	⑨ 4754-1461 DOOR PANEL x3 - 14"x10 3/4" F-CHANNEL 24" PC.
.25	4716A178 T-MOLDING "ELM" (13' REQUIRED)	.65	⑩ 4716A0151 RECESSED MOUNT
.10	② 4749E65681 LIFT OUT STOVE ASSY.	.15	⑪ 4737B4198 RIVET "ELM" M25
	NOTE: REFER TO PAGE 11 FOR STOVE COMPONENTS		1202B0268 WASHER
.20	③ 4754-0501 LATCH	.05	⑫ 4716-1191 FIRE EXTINGUISHER STRAP M2
.15	④ 4754-1481 DOOR PANEL 15 3/4" x 9 1/4"	.10	⑬ 4737A5558 FIRE EXTINGUISHER
.10	⑤ 4748A3951 DOOR PULL (INCLUDES SCREW)	.55	⑭ 4747D3341 HUTCH SIDE
.15	⑥ 4733-6391 LATCH & STRIKE PKG.	.65	⑮ 4716-0151 ELM CORNER MOLDING 26" PC.
.10	⑦ 4745C26188 HINGE (SPRING LOADED)	.35	⑯ 4750A8481 STOVE SUPPORT
.10	⑧ 4747D327 HUTCH FRONT	.35	⑰ 4754-0461 STOVE SUPPORT BRACKET
		1.25	⑱ 4754-151 CABINET FRONT



POTTI/SHOWER CABINET-3194 WEST LAKE		
1.50	① 4753-3491 SHOWER PAN	4060000406F TUB SEAL SOLD/FOOT
.50	② 4746A1821 BASKET & STRAINER	
2.00	③ 4754-3861 SHOWER WALL	
.75	④ 4746C2461 CASSETTE POTTI	
	⑤ 4060000403F 1/4" FOAM TAPE SOLD/FOOT	
.50	⑥ 4741B2071 SHOWER DIVERTER	
.10	4716-0848 SHOWER HOSE CONNECTOR	
	⑦ 4739E2908 SCREW CAP	
	4739-2918 SCREW CAP WASHER	
.20	⑧ 4741B2051 SHOWER HOSE (69" LENGTH)	
.15	⑨ 4746A3761 SHOWER HEAD W/BRACKET	
.10	⑩ 4755A0051 TOP SHELF	
	⑪ NOTE:REFER TO PAGE 32 FOR THIS ITEM	
.25	⑫ 4755A0161 LUAN FACE PLATE	
	4060015601 5/32" U-CANNEL	
.10	⑬ 4720A0721 COOLER CLIP M2	
1.50	⑭ 4753B4951 SHOWER THRESHOLD	
.25	4060400086F LIPPED T-MOLDING SOLD/FT.	
1.00	⑯ 4741B9301 VENT SYSTEM	
.10	⑰ 4714A2861 CAP & STRAP	
	4749-4131 SHOWER DRAIN GASKET	
	⑱ 4737-9138 DRAIN ADAPTER	
1.00	⑲ 1 1/2" DRAIN PIPE (PURCHASE LOCALLY)	
.40	⑳ 4752-3621 P-TRAP W/UNION JOINT	
.50	㉑ 4746-4991 1 1/2" COUPLER	
.50	㉒ 4741A9331 TRAP ADAPTER	
	4752-3631 RUBBER WASHER	
.25	㉓ 4755-0061 CAB. SIDE LT.	
.50	㉔ 4755A0071 CAB. SIDE RT.	

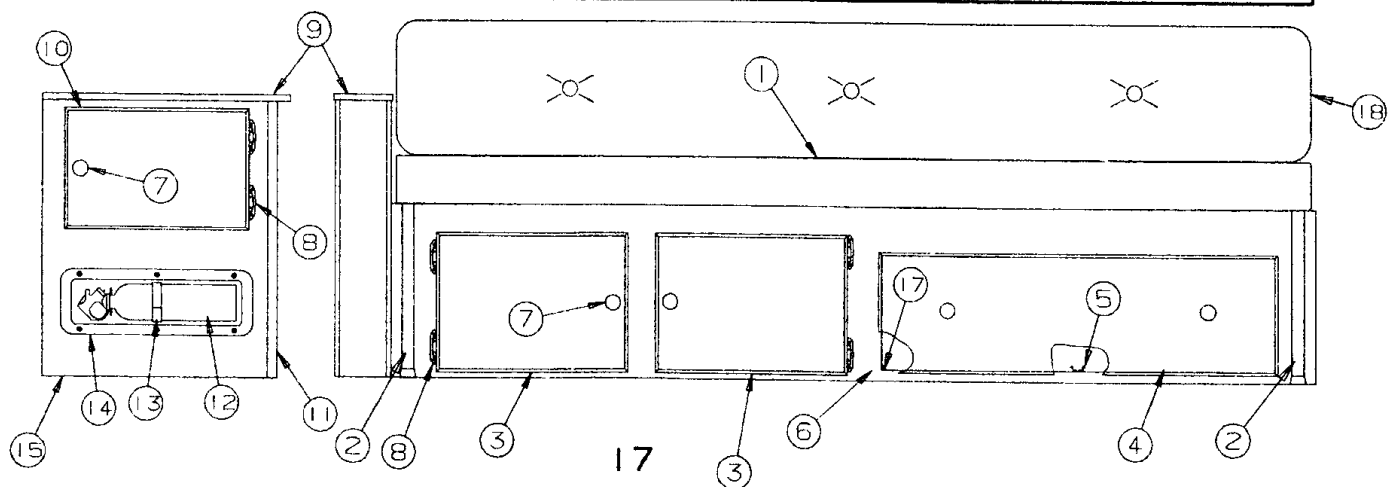
REPAIR PARTS/FLAT RATE



*USED ON 3189 FROM S/N-05111 TO 05140
 **USED ON 3189 FROM S/N-05141 THEREAFTER

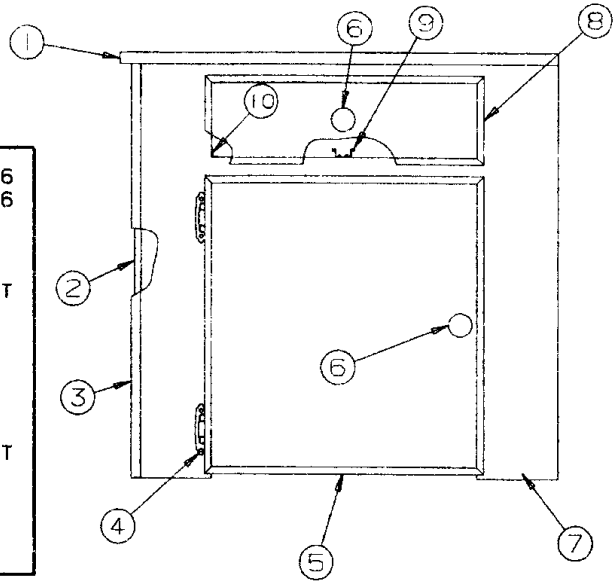
FLAT RATE	C.S. HUTCH ASSEMBLY - 3189 SANTA FE	
.75	① *4754-0511	HUTCH TOP
.75	**4754A0511	HUTCH TOP
.25	4716A178	T-MOLDING "ELM" (7' REQUIRED)
.35	② 4746A3841	G.F.I. RECEPTACLE
.10	③ 4737A5558	FIRE EXTINGUISHER
.05	④ 4716-1191	FIRE EXTINGUISHER STRAP M2
.15	⑤ 4737B4198	RECESSED MOUNT
	4738-3088	SCREW x6
.55	⑥ 4754A0521	HUTCH SIDE
.65	⑦ 4716A0151	3/8" F-CHANNEL 24" PC.
.50	⑧ *4754-049	HUTCH FRONT "SMALL"
.50	**4754A049	HUTCH FRONT "SMALL"
.15	⑨ *4754-0571	DOOR PNL. 19" x 11 3/4"
.15	**4754-3701	DOOR PNL. 19" x 9 3/4"
.10	⑩ 4748A3951	DOOR PULL (INCLUDES SCREW)
.10	⑪ 4745C26188	HINGE (SPRING LOADED)
.10	⑫ 4754-5291	DRAWER ASSY.
1.25	⑬ *4754-055	HUTCH FRONT "LARGE"
1.25	**4754A055	HUTCH FRONT "LARGE"
.25	⑭ 4754-0721	DRAWER GUIDE 23"
.05	⑮ 4749-8398	DRAWER SLIDE TACK
1.00	⑯ 4754-054	3/8" H-CHANNEL

FLAT RATE	C.S. HUTCH/BED ASSEMBLY - 3186,3196	
.25	① 4754C5561	CUSHION ASSY.LESS LEGS
.25	4716C5561	CUSHION COVER
.25	② 4753A5521	CUSHION LEG x2
.05	4752-0551	PLASTIC CAP M2
.15	③ 4754B1811	DOOR PANEL 15"x10 1/2"
.10	④ 4754-5541	DRAWER ASSY.
.25	⑤ 4754-0721	DRAWER GUIDE 23" MUST CUT TO SIZE
1.25	⑥ 4754B164	HUTCH FRONT
.10	⑦ 4748A3951	DOOR PULL (INCLUDES SCREW)
.10	⑧ 4745C26188	HINGE (SPRING LOADED)
.25	⑨ 4754-1631	CABINET TOP 3196
.25	4754A2271	CABINET TOP 3186
.15	⑩ 4754-1821	DOOR PANEL
.35	⑪ 4716A0151	3/8" F-CHANNEL 24" PC.
.10	⑫ 4737A5558	FIRE EXTINGUISHER
.05	⑬ 4716-1191	FIRE EXTINGUISHER STRAP M2
.15	⑭ 4737B4198	RECESSED MOUNT
	4738-3088	SCREW x6
.50	⑮ 4754B162	CABINET SIDE
.05	⑯ 4749-8398	DRAWER SLIDE TACK
.05	⑰ 4754B5571	BACKREST ASSY.

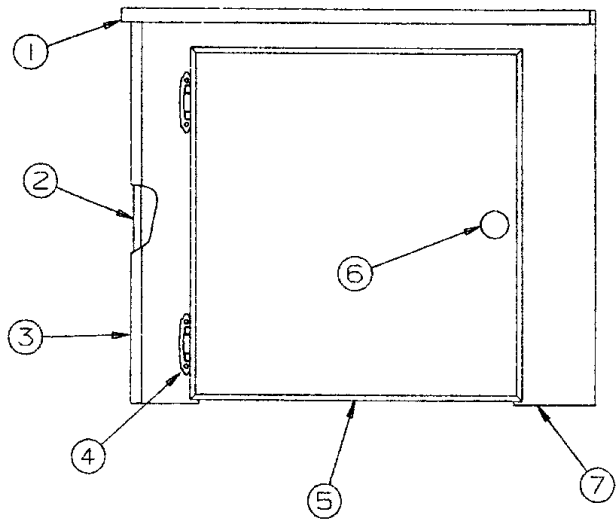


1997 DESTINY SERIES

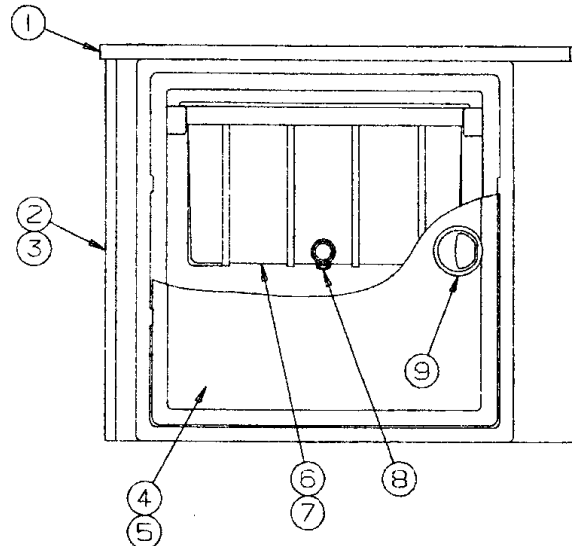
FLAT RATE	"CSF" CORNER CABINET ASSY. - 3189,3196
.25	① 4754-0691 CABINET TOP 3189-23 13/16 x 23 13/16
.25	4754A0691 CABINET TOP 3189-23 13/16 x 29 13/16
.25	4754-1831 CABINET TOP 3196
.15	4716A178 T-MOLDING "ELM" SOLD/FOOT
.30	② 4754A070 SIDE PANEL 3189
.30	4754A068 CABINET FRONT W/DOOR & DRAWER CUTOUT
.30	4754-184 SIDE PANEL 3196
.25	③ 4716A0151 3/8" F-CHANNEL 24" PC.
.10	④ 4745C26188 HINGE (SPRING LOADED)
.15	⑤ 4754-0711 DOOR PANEL 16 1/8" x 15 1/4"
.15	4733-6391 LATCH & STRIKE PKG.
.10	⑥ 4748A3951 DOOR PULL (INCLUDES SCREW)
.50	⑦ 4754-068 CABINET FRONT W/DOOR & DRAWER CUTOUT
.50	4754A070 SIDE PANEL
.10	⑧ 4754-5301 DRAWER ASSEMBLY
.25	⑨ 4754-0721 DRAWER GUIDE
.05	⑩ 4749-8398 PLASTIC CORNER TACK



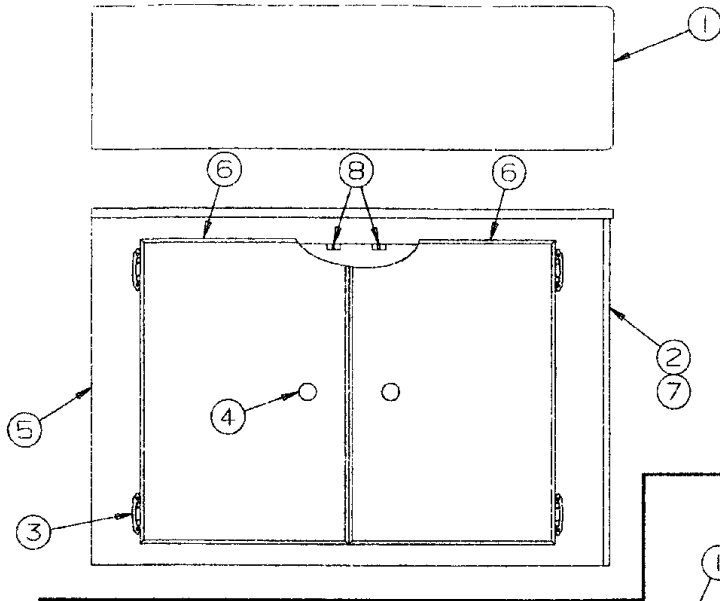
FLAT RATE	"CSF" CORNER CABINET ASSY. - 3175
.25	① 4747B3321 CABINET TOP
.15	4716A178 T-MOLDING "ELM" SOLD/FOOT
.30	② 4747C335 CABINET SIDE
.25	③ 4716A0151 3/8" F-CHANNEL 24" PC.
.10	④ 4745C26188 HINGE (SPRING LOADED)
.15	⑤ 4754-0711 DOOR PANEL 16 1/8" x 15 1/4"
.15	4733-6391 LATCH & STRIKE PKG.
.10	⑥ 4748A3951 DOOR PULL (INCLUDES SCREW)
.50	⑦ 4747D328 CABINET FRONT



FLAT RATE	"CSF" CORNER CABINET ASSY. - 3170
.75	① 4747B3321 CABINET TOP
.15	4716A178 T-MOLDING "ELM" SOLD/FOOT
.80	② 4752A291 CABINET SIDE PANEL
	4754-184 SIDE PANEL 3196
.75	③ 4716A0151 3/8" F-CHANNEL 24" PC.
.50	④ 4752A57781 BUILT-IN COOLER (W/ICE TUB)
.40	⑤ 4752A5761 COOLER DOOR
.10	⑥ 4752-1741 ICE TUB & FAUCET
.05	⑦ 4752-3221 ICE TUB LID
.15	⑧ 4744-9071 FAUCET ASSY.
	1212-0138 RUBBER GROMMET
	4744-8261 PLASTIC NUT
.15	⑨ 4751-1591 ROUND DOOR LATCH

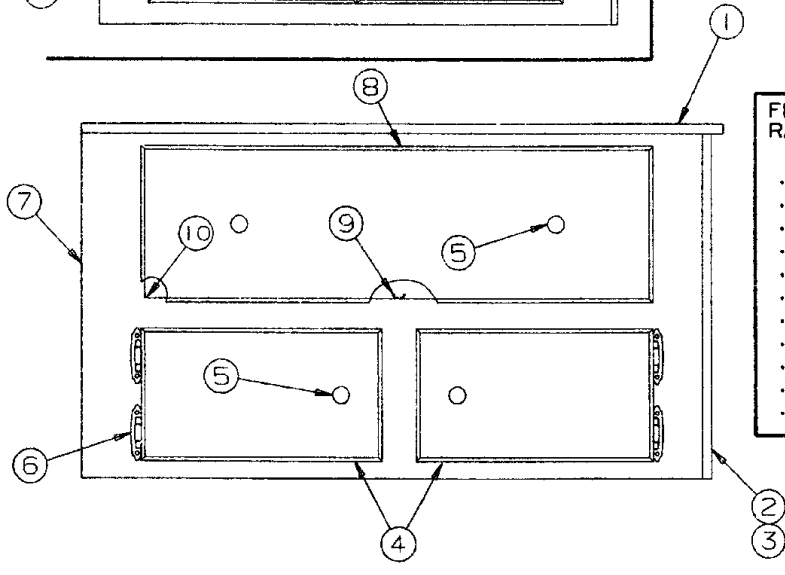


REPAIR PARTS/FLAT RATE



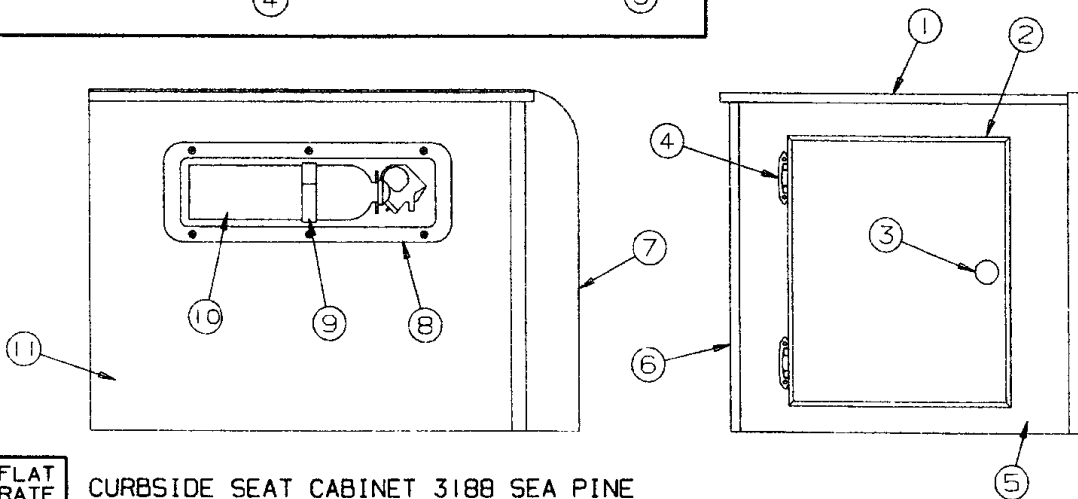
DOOR-WAY HUTCH ASSEMBLY 3194 WEST LAKE

FLAT RATE		
.25	① 4754-3981	HUTCH TOP
.15	4716A178	T-MOLDING "ELM" SOLD/FOOT
.25	② 4716A0151	3/8" F-CHANNEL 24" PC.
.10	③ 4745C26188	HINGE (SPRING LOADED)
.10	④ 4748A3951	DOOR PULL (INCLUDES SCREW)
.30	⑤ 4754A397	HUTCH SIDE
.15	⑥ 4754-0571	DOOR PANEL x2 19"x11 3/4"
.15	⑦ 4737B4198	RECESSED MOUNT
	4738-3088	SCREW x6
.10	4737A5558	FIRE EXTINGUISHER
.05	4716-1191	FIRE EXTINGUISHER STRAP M2
.15	⑧ 4733-6391	LATCH & STRIKE PKG.



"CSF" CORNER CABINET 3194 WEST LAKE

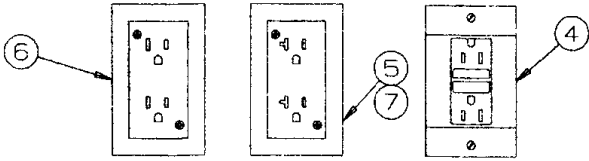
FLAT RATE		
.35	① 4753A2741	CABINET TOP
.20	4716A178	T-MOLDING "ELM" SOLD/FOOT
.35	② 4716A0151	3/8" F-CHANNEL 24" PC.
.30	③ 4753A276	CABINET SIDE
.15	④ 4754-1481	DOOR PANEL x2 15 3/4"x9 1/4"
.10	⑤ 4748A3951	DOOR PULL (INCLUDES SCREW)
.10	⑥ 4745C26188	HINGE (SPRING LOADED)
.40	⑦ 4753A2771	CABINET FRONT
.10	⑧ 4754-6641	DRAWER ASSY.
.25	⑨ 4754-0721	DRAWER GUIDE 23" PC.
.05	⑩ 4749-8398	CORNER TACK x2



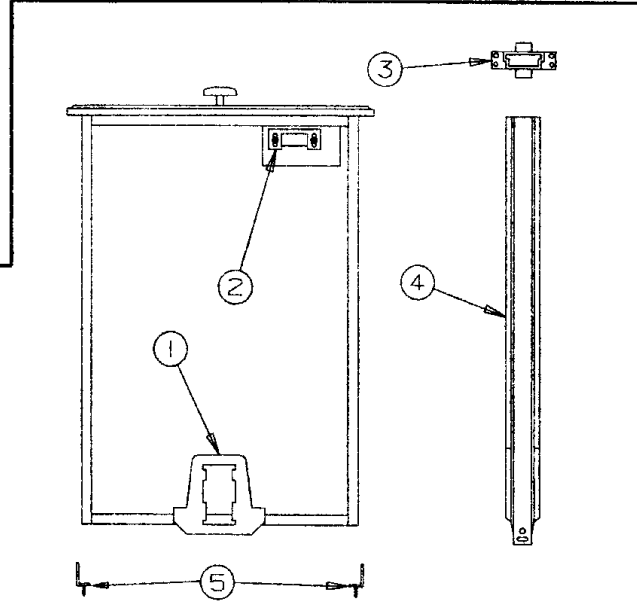
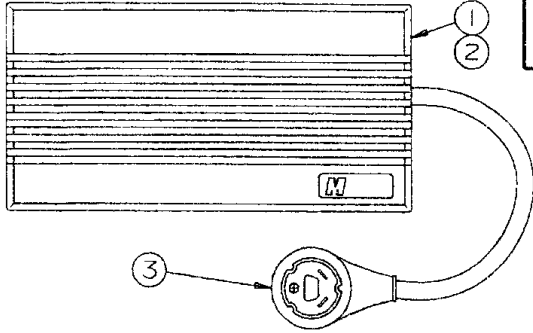
FLAT RATE CURBSIDE SEAT CABINET 3188 SEA PINE

.25	① 4754-3421	CABINET TOP	.25	⑥ 4716A0151	3/8" F-CHANNEL 24" PC.
.15	② 4754-1461	DOOR PNL. 14" x 10 3/4"	.75	⑦ 4754-3771	GAZOODI
.10	③ 4748A3951	DOOR PULL (INCLUDES SCREW)	.15	⑧ 4737B4198	RECESSED MOUNT
.10	④ 4745C26188	HINGE (SPRING LOADED)	.05	⑨ 4716-1191	FIRE EXTINGUISHER STRAP M2
.50	⑤ 4754A3401	CABINET FRONT	.10	⑩ 4737A5558	FIRE EXTINGUISHER
			.55	⑪ 4754-3411	CABINET SIDE

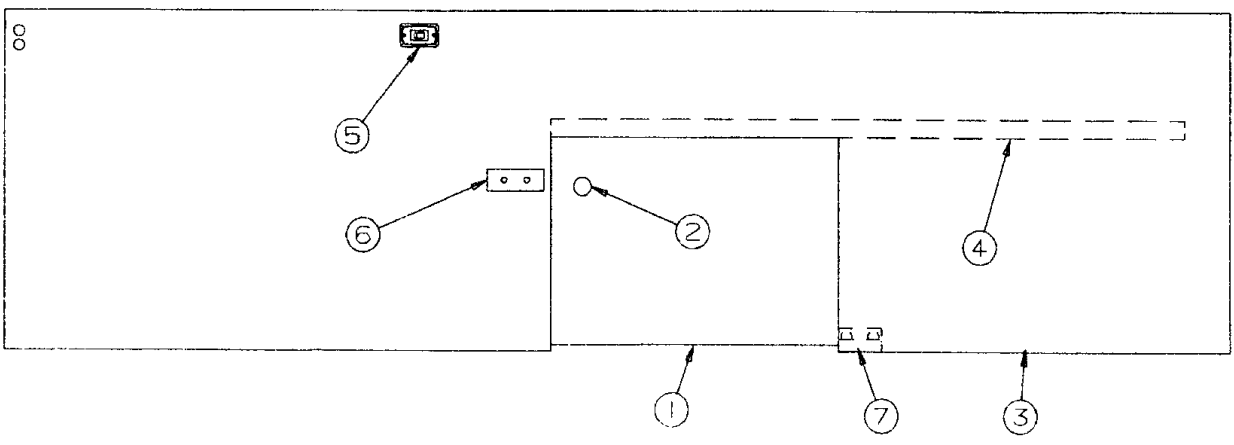
1997 DESTINY SERIES



FLAT RATE	CONVERTER AND RELATED PARTS
1.00	① 4742A9811 CONVERTER 12 AMP
1.00	4750A1111 CONVERTER 20 AMP 3194 ONLY
.15	② 4716-1301 CONVERTER FACE COVER (PLASTIC)
.60	③ 4744-3101 POWER CORD 30 FT. (ALL)
.35	④ 4746A3841 GFI RECEPTACLE W/COVER (BROWN)
.20	⑤ 4744-3081 20 AMP RECEPTACLE W/COVER (BROWN)
.20	⑥ 4710B3551 15 AMP RECEPTACLE W/COVER (BROWN)
	⑦ 4746A3851 RECEPTACLE BOX

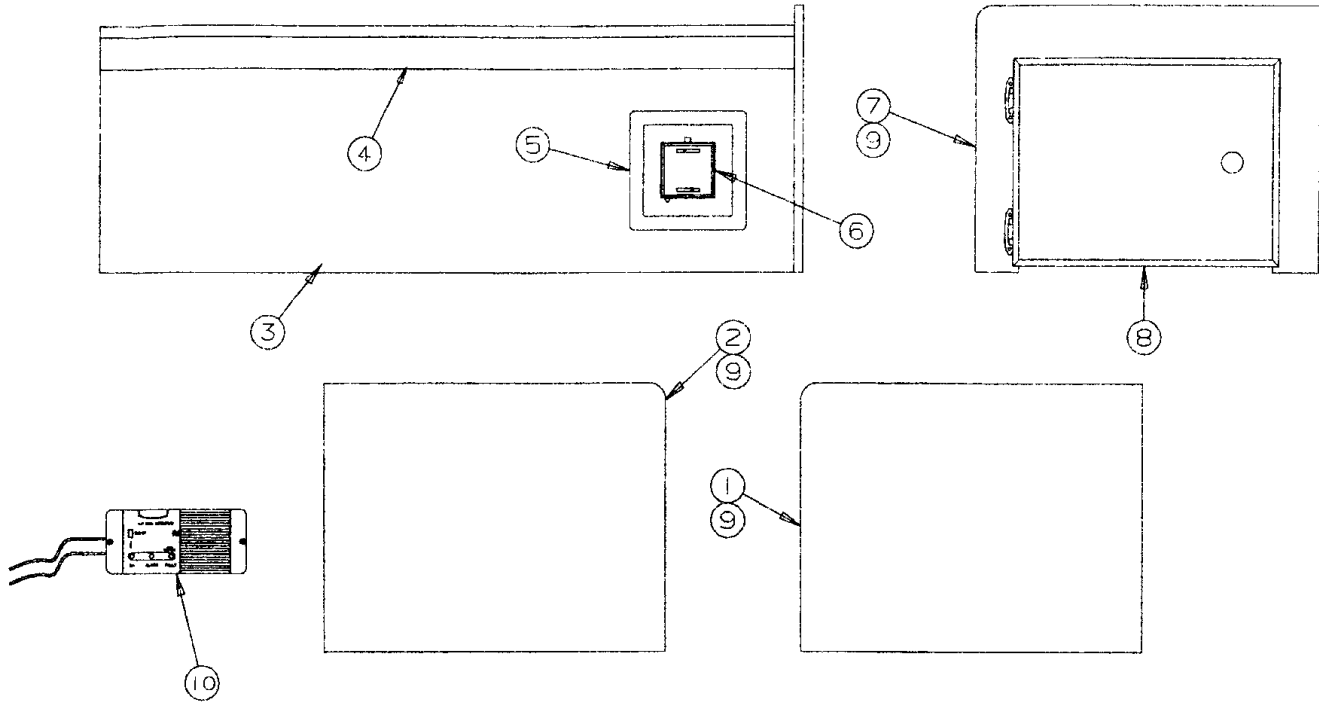


FLAT RATE	DRAWER ASSY. COMPONENTS
.15	① 4749-8371 PLASTIC DRAWER GUIDE
.15	② 4749-8381 PLASTIC DRAWER LATCH
.15	③ 4749-8361 PLASTIC GUIDE SOCKET
.25	④ 4754-0721 METAL DRAWER GUIDE
.05	⑤ 4749-8398 PLASTIC CORNER TACK



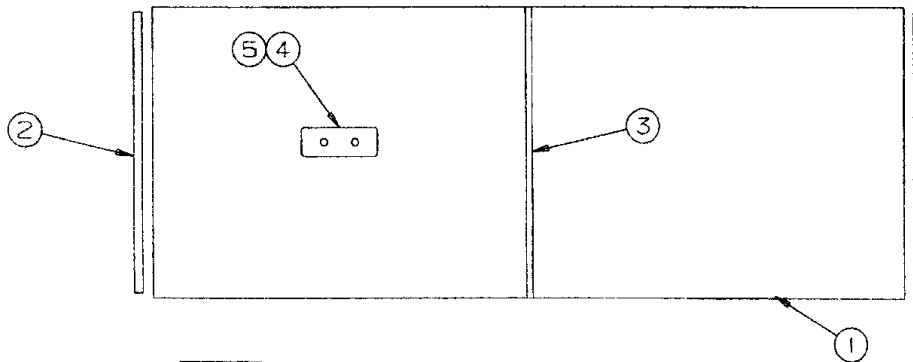
FLAT RATE	FRONT STORAGE WALL W/SLIDING DOOR - 3196 CHEYENNE
.25	① 4751D2691 SLIDING DOOR PANEL
.10	② 4748D3951 DOOR PULL (INCLUDES SCREW)
4.00	③ 4754-1881 3/8" BULKHEAD
.35	④ 4716-4021 DOOR SLIDE TRACK 48" PC.
.15	⑤ 4751-1161 ROCKER SWITCH "LIGHTED"
	4739-0528 SCREW x2
.15	⑥ 4754A0901 GALLEY REST
	4755-077 SCREW x2 - 1 3/4"
.20	⑦ 4754-2861 DOOR BRKT. PACKAGE

REPAIR PARTS/FLAT RATE



FLAT RATE SEAT BENCH COMPONENT PARTS

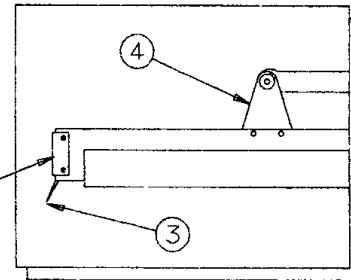
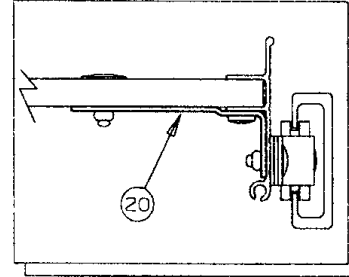
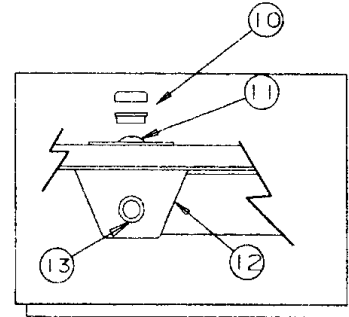
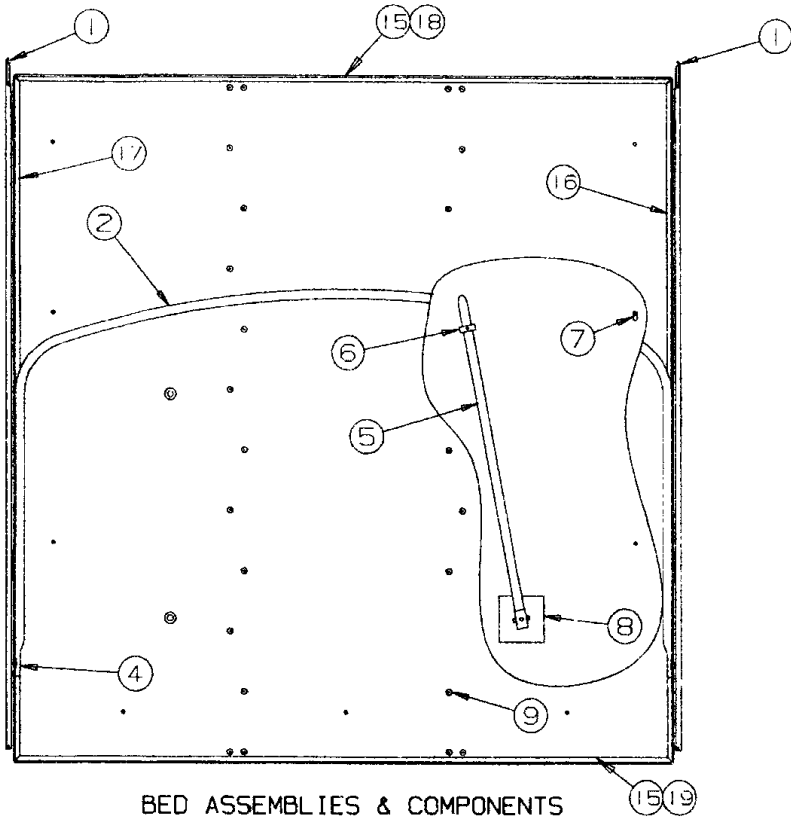
.30	① 4749D09681	SEAT END 3170	.20	⑤ 4747-8391	PLASTIC BASE & BRKT.
.30	4749D9881	SEAT END 3175	.25	⑥ 4752-8461	THERMOSTAT
.30	4754-0371	SEAT END 3189,3196	.40	⑦ 4754A2531	SEAT END CSF BENCH 3186
.30	② 4749D09681	SEAT END 3170	.40	4754-3451	SEAT END CSF BENCH 3188
.30	4754-0351	SEAT END 3189,3196	.40	4754A2411	SEAT END RS BENCH 3186
.30	4752-4711	SEAT END CSR BENCH 3194	.15	⑧ 4754-2421	DOOR PANEL 16 x 12 1/4 3186,88
.50	③ 4754-1361	UNIVERSAL WALL PANEL	.15	4754-1821	DOOR PANEL 14 3/4 x 9 3/4 3186
.50	④ 4754-2391	TABLE REST 59" x 1 3/4"	.20	⑨ 4060450001F	1/2" LIPPED T-MOLDING (SOLD/FOOT)
		NOTE: MUST CUT TO SIZE	.10	⑩ 4753-9171	LP GAS DETECTOR



FLAT RATE PANELING & TRIM (MUST CUT TO SIZE)

	① 4754-1361	UNIVERSAL WALL PANEL 48x23 13/16 GBO
	② 4716-1321	UNIVERSAL CORNER MOLDING M2 48" PC. GBO
	③ 4715-1331	UNIVERSAL PANEL DIVIDER M2 48" PC. GBO
.15	④ 4754A0901	GALLEY REST
	⑤ 4755-077	SCREW x2 - 1 3/4"

1997 DESTINY SERIES



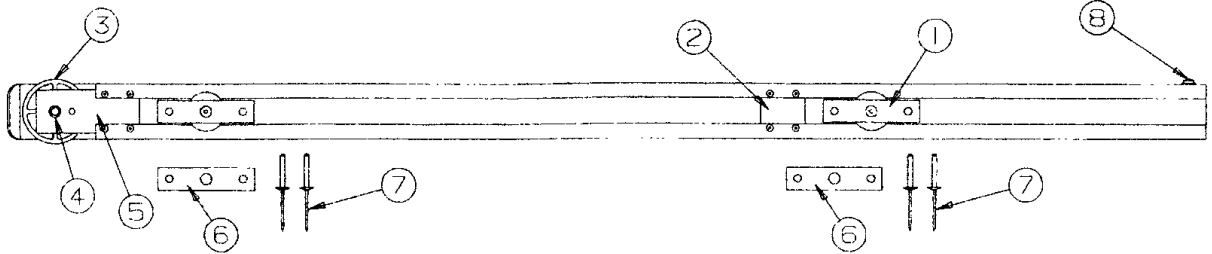
BED ASSEMBLIES & COMPONENTS

.75	3186, 88, 89, 94	4755A51681	FRONT BED (QUEEN)
.75	3186, 94	4754B5691	REAR BED (QUEEN)
.75	3188, 89, 96	4754B5701	REAR BED (DOUBLE)
.75	3196	4755B5171	FRONT BED (QUEEN)

FLAT RATE

	①	NOTE: REFER TO BED EXTENSION CHART FOR THIS ITEM
.25	②	4714B1901 TENT BOW & LEG PACKAGE
.25	③	4060400339F VINYL BED SEAL (SOLD/FOOT)
.15	④	4720G5631 BED BOW BRACKET x2 (ALL)
.20	⑤	4734E5881 BED LEG ASSEMBLY x2 (USED ON 4755A51681, 4755B5171, 4754B5701)
.20		4753-3811 BED LEG ASSEMBLY (USED ON 4754B5691)
.15	⑥	4720C0771 BED LEG CLIP M4 1203-8831 RIVET M25
.15	⑦	4720D4021 LASHING HOOK M6 1203-8741 RIVET M25
.20	⑧	4737A4178 SUPPORT PLATE
	⑨	1203C8721 RIVET M25
	⑩	4739E2908 SCREW CAP 4739-2918 SCREW CAP WASHER
	⑪	4716-074 SCREW 1202B2528 WASHER
.20	⑫	4734A5141 BED LEG BRACKET
	⑬	4720A2361 ROD & PAL NUT
.20	⑭	4753-8541 CORNER ANGLE x4 1203-8641 RIVET M25
.50	⑮	4753-4001 FRONT & REAR BED FRAME (ALL)
1.50	⑯	4753-4131 SIDE RAIL CURBSIDE REAR & ROADSIDE FRONT (QUEEN BED)
1.50		4753-4061 SIDE RAIL CURBSIDE (DOUBLE BED)
1.50	⑰	4753-4121 SIDE RAIL CURBSIDE FRONT & ROADSIDE REAR (QUEEN BED)
1.50		4753-4051 SIDE RAIL ROADSIDE (DOUBLE BED)
1.50	⑱	4739B4631 INSIDE WRAP AROUND BED FRAME (DOUBLE BED)
1.50		4744A9991 INSIDE WRAP AROUND BED FRAME (QUEEN BED)
1.50	⑲	4720E1181 OUTSIDE WRAP AROUND BED FRAME (DOUBLE BED)
1.50		4733C0921 OUTSIDE WRAP AROUND BED FRAME (QUEEN BED)
.20	⑳	4755A2591 BED BRKT. W/MOUNTING HARDWARE (USED x4 PER BED ASSY.)

REPAIR PARTS/FLAT RATE



FLAT RATE BED EXTENSION COMPONENT PARTS

.25	① 4720C5621	ROLLER ASSEMBLY x2	.25	⑥ 4731-4711	ROLLER SPACER x2
	② 4731A1291	ROLLER STOP		⑦ 1203-8651	RIVET M25
	4749-4578	RIVET x4 M25		NOTE: RIVETS HOLD EXTENSION TO BED FRAME	
.20	③ 4720B0831	NYLON WHEEL	⑧ 4733-4118	TEK SCREW	
	④ 4731A1288	SHOULDER RIVET M25	1202B0268	WASHER	
	⑤ 4741-9191	RIVET PLATE			
	4749-4578	RIVET x4 M25			

BED EXTENSION CHART - 3186, 3188, 3189, 3194, 3196

BED EXTENSIONS FOR FRONT BED ASSEMBLY

BED EXTENSIONS FOR REAR BED ASSEMBLY

F.R. 1.00 FIRST BED EXTENSION .50 ON SECOND EXTENSION SAME BED

MODEL	CURBSIDE	ROADSIDE	MODEL	CURBSIDE	ROADSIDE
3186, 3194	4755-5121	4755-5111	3186, 3194	4755-5111	4755-5111
3188, 3189	4755-5121	4755-5111	3188, 3189	4739D6191	4739D6191
3196	4755A5131	4755-5111	3196	4739D6191	4739D6191

MATTRESS ASSEMBLIES & COVERS F.R. - .50

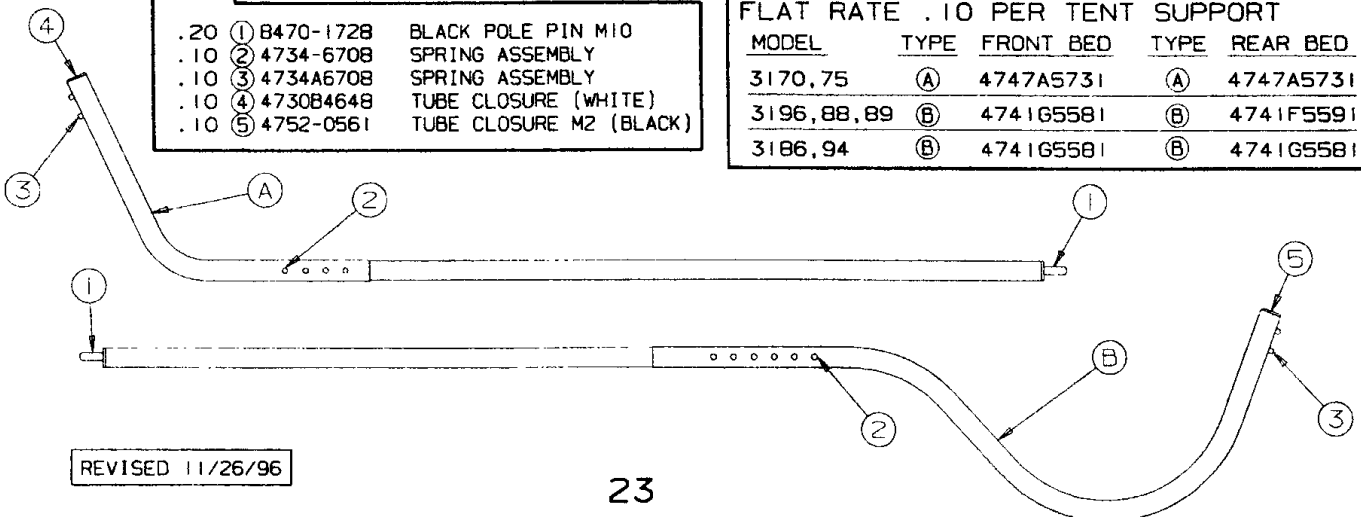
FRONT MATTRESS			REAR MATTRESS		
MODEL	ASSEMBLY	COVER	MODEL	ASSEMBLY	COVER
3170 LAREDO	4749G6361	4716G6361	3170 LAREDO	4749G6361	4716G6361
3175 TOAS	4749G6361	4716G6361	3175 TOAS	4749G6361	4716G6361
3186 BAYPORT	4754A5341	4716A5341	3186 BAYPORT	4754A5341	4716A5341
3188 SEA PINE	4754A5341	4716A5341	3188 SEA PINE	4754A5331	4716A5331
3189 SANTA FE	4754A5341	4716A5341	3189 SANTA FE	4754A5331	4716A5331
3194 WESTLAKE	4754A5341	4716A5341	3194 WESTLAKE	4754A5341	4716A5341
3196 CHEYENNE	4754A5341	4716A5341	3196 CHEYENNE	4754A5331	4716A5331

FLAT RATE TENT SUPPORT COMPONENTS

.20	① 8470-1728	BLACK POLE PIN M10
.10	② 4734-6708	SPRING ASSEMBLY
.10	③ 4734A6708	SPRING ASSEMBLY
.10	④ 4730B4648	TUBE CLOSURE (WHITE)
.10	⑤ 4752-0561	TUBE CLOSURE M2 (BLACK)

TENT SUPPORT ASSEMBLIES (COMPLETE) FLAT RATE .10 PER TENT SUPPORT

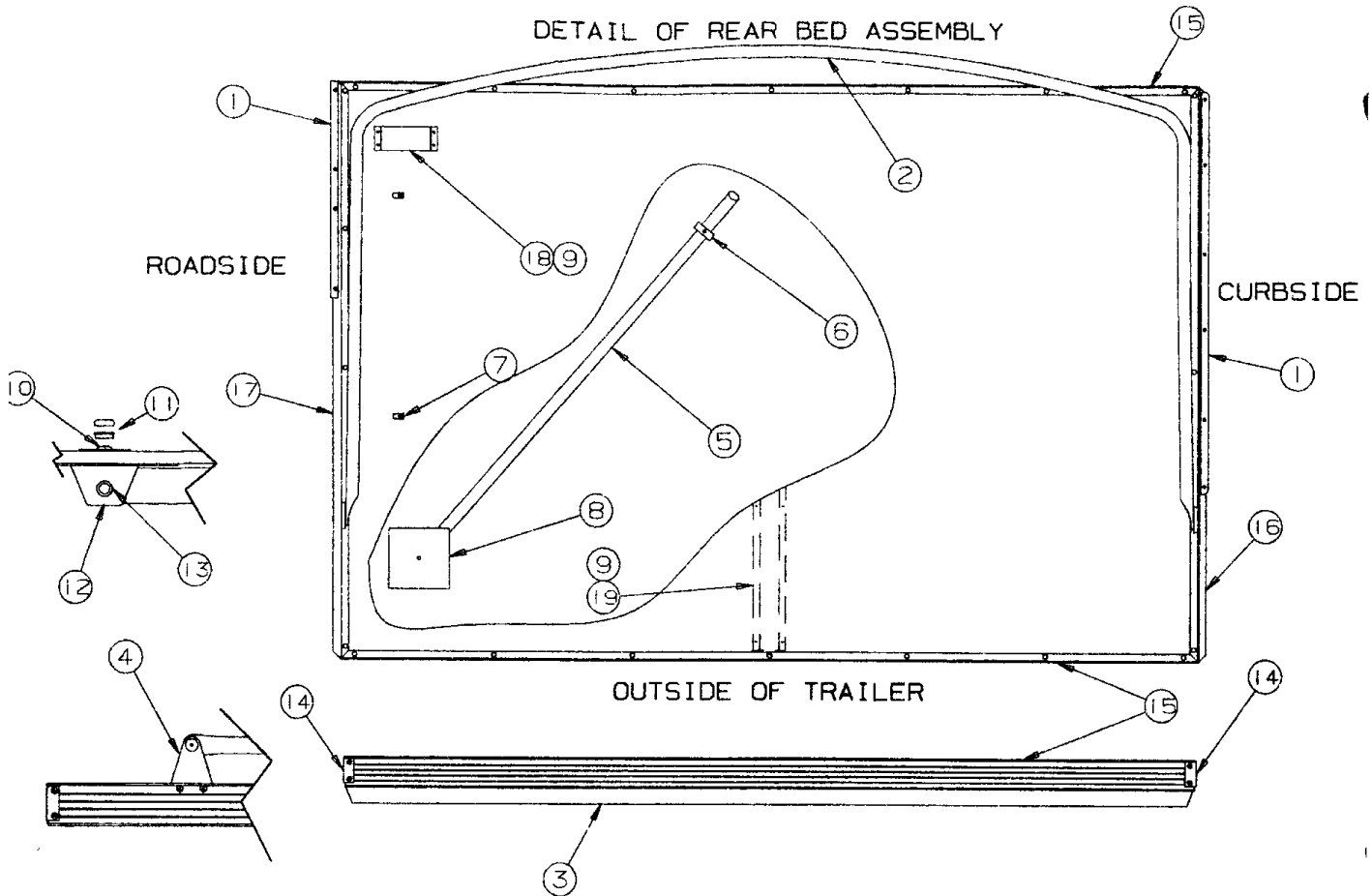
MODEL	TYPE	FRONT BED	TYPE	REAR BED
3170, 75	Ⓐ	4747A5731	Ⓐ	4747A5731
3196, 88, 89	Ⓑ	4741G5581	Ⓑ	4741F5591
3186, 94	Ⓑ	4741G5581	Ⓑ	4741G5581



REVISED 11/26/96

1997 DESTINY SERIES

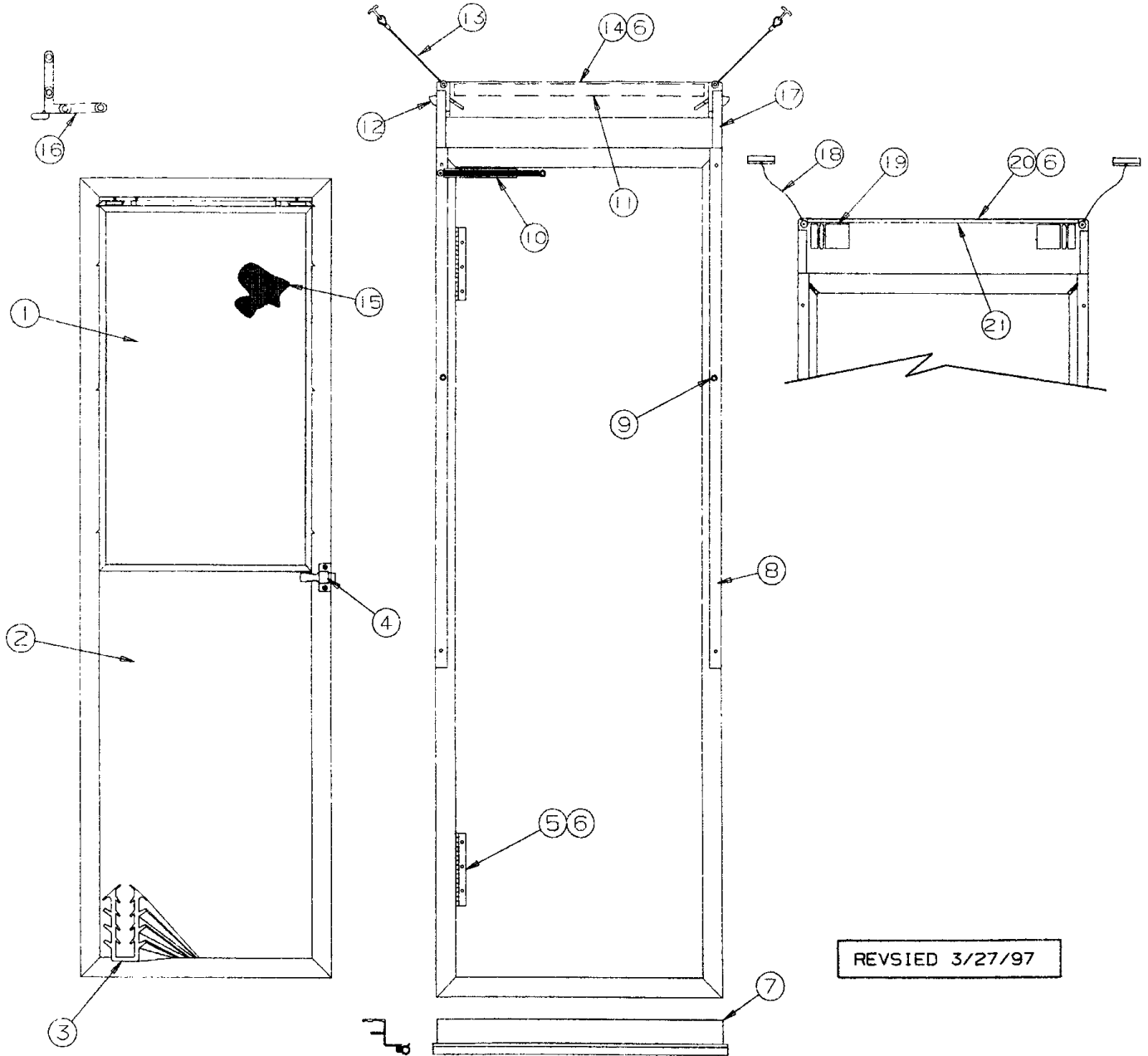
DETAIL OF REAR BED ASSEMBLY



FRONT BED ASSY. (4747E5201) COMPLETE 3170, 3175
 REAR BED ASSY. (4747E5481) COMPLETE 3170, 3175
 FLAT RATE .50 FRONT & REAR BED ASSY.

FLAT RATE		
.40	①	4747C4051 PLASTIC BED SLIDE 18"
.40		4747C3691 PLASTIC BED SLIDE 40"
		4752-3061 RIVET M25
.25	②	4714A1901 TENT BOW & LEG PACKAGE
.25	③	4060400339F VINYL BED SEAL (SOLD/FOOT)
.15	④	4720G5631 BED BOW BRACKET x2 (ALL)
.20	⑤	4734E5881 BED LEG ASSEMBLY x2 (USED ON 4747D5481)
.20		4750-6171 BED LEG ASSEMBLY x2 (USED ON 4747D5201)
.15	⑥	4720C0771 BED LEG CLIP M4
		1203-8831 RIVET M25
.15	⑦	4720D4021 LASHING HOOK M6
		1203-8741 RIVET M25
.20	⑧	4737A4178 SUPPORT PLATE
	⑨	1203CB721 RIVET M25
	⑩	4739E2908 SCREW CAP
		4739-2918 SCREW CAP WASHER
	⑪	4716-074 SCREW
		1202B2528 WASHER
.20	⑫	4734A5141 BED LEG BRACKET
	⑬	4720A2361 ROD & PAL NUT
.20	⑭	4747A3221 CORNER ANGLE x4
		1203-8641 RIVET M25
.50	⑮	4747A3241 FRONT & REAR BED FRAME
.60	⑯	4747A3231 SIDE RAIL CURBSIDE REAR & ROADSIDE FRONT
.60	⑰	4749A8151 SIDE RAIL CURBSIDE FRONT & ROADSIDE REAR
.20	⑱	4749A4891 BED STOP
.40		4747A1161 BED CHANNEL

REPAIR PARTS/FLAT RATE



REVISED 3/27/97

NOTE: PARTS MARKED W/ * ASTERISK ARE NOT INCLUDED W/ SCREEN DOOR

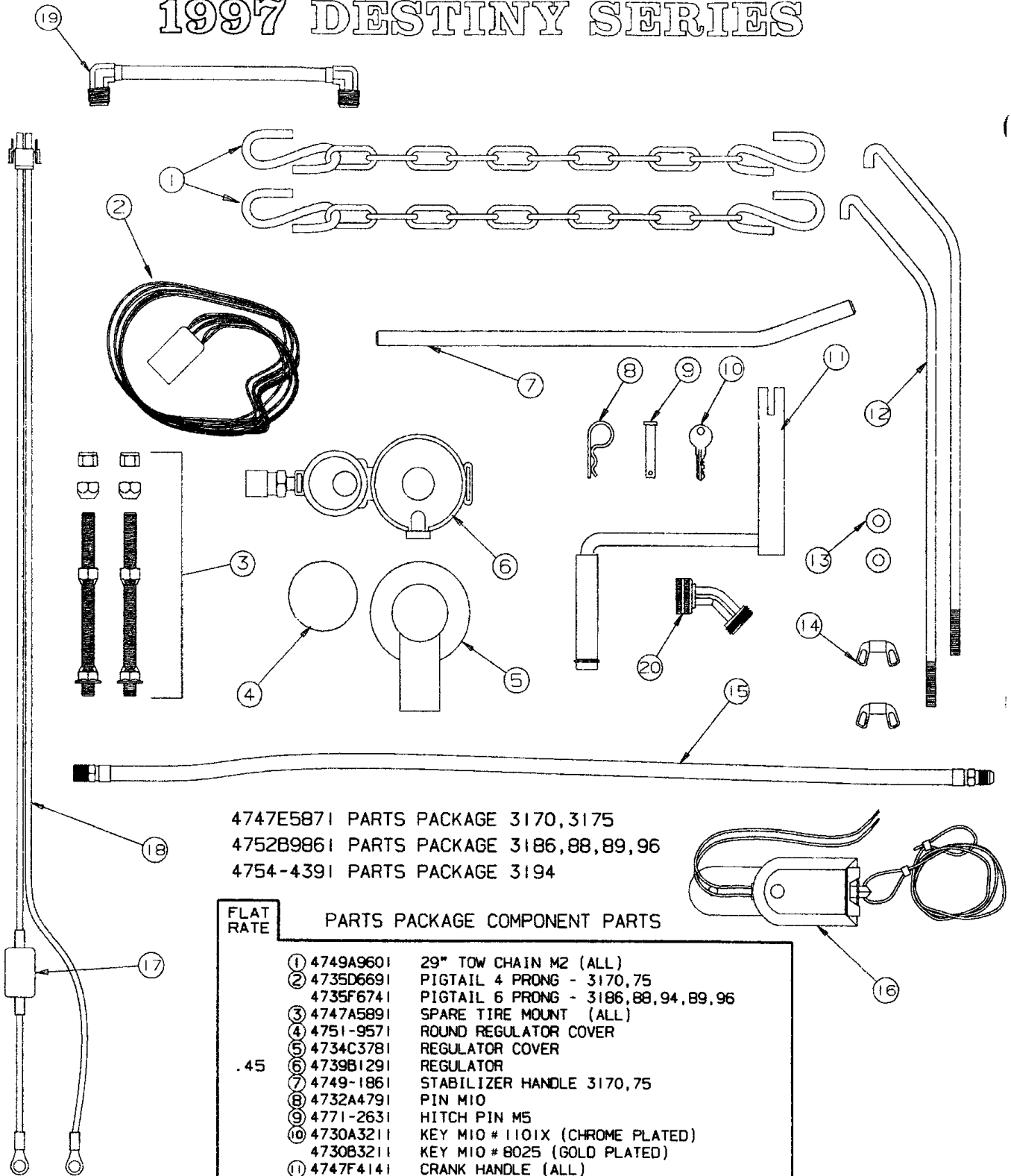
.30 SCREEN DOOR & JAMB ASSEMBLY COMPLETE - 4739M6681 , 3186, 88, 89, 94, 96

.30 SCREEN DOOR & JAMB ASSEMBLY COMPLETE - 4747K5371 , 3170, 75

FLAT RATE

.10	①	4716E3401	TOP SLIDING WINDOW PANE	.15	⑬	4734E5211	CABLE ASSY.M2 3186,88,89,94,96
.40	②	4754B1541	STATIONARY WINDOW PANE			4747A9231	RIVET M25
.15	③	4060000086F	RUBBER SEAL (SOLD/FT.) NOTE: AROUND PERIMETER OF WINDOW PANE			1202B2698	WASHER
.15	④	*4742-9671	DOOR LATCH ASSEMBLY	.50	⑭	4753-4501	TOP BRACKET 3186,88,89,94,96
.15	⑤	4720C3601	HINGE x2	.75	⑮	4716-1111	SCREENING 36" x 18 1/2"
	⑥	1203-8641	RIVET M25	.50	⑯	4710-3791	CORNER BRACE HINGE M2
.25	⑦	*4747A5621	SCREEN DOOR SUPPORT	.10	⑰	4350000119F	VELCRO LOOP "BLACK" (SOLD/YD.)
		*4060000399F	RUBBER SEAL (SOLD/FT.)	.15	⑱	4734D5211	CABLE ASSY.M6 3170,75
.20	⑧	4754-3811	VEL-STICK x2 & MOUNTING HARDWARE			1203-8831	RIVET M25
.05	⑨	4730A3548	STUD W/SCREW x2			1202B2698	WASHER
.20	⑩	4731A8201	SPRING PKG.			4733-3398	PLASTIC SPACER
.10	⑪	4060000400F	D-SEAL (SOLD/FT.)	.10	⑲	4350000209F	2"WIDE VELCRO LOOP (SOLD/YD.)
.25	⑫	4741-8658	SASH LOCK x2	.10		4350000012F	3/4 VELCRO LOOP (SOLD/YD.)
		4747A9231	RIVET M25	.30	⑳	4749C8451	TOP BRACKET 3170,75
.30			SCREEN DOOR ADJUSTMENT	.10	㉑	4060037505F	GREY FOAM TAPE (SOLD/FT.)

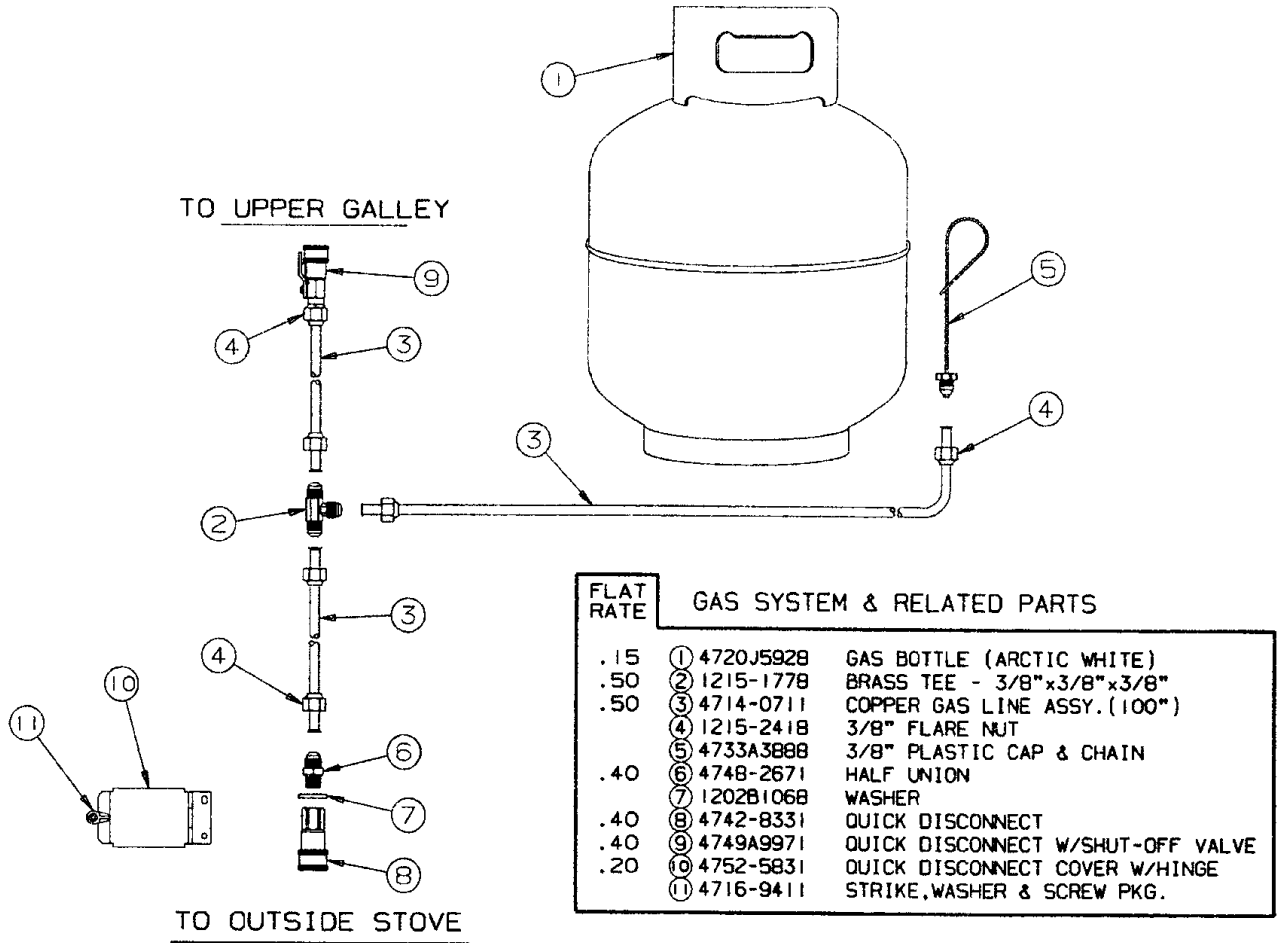
1997 DESTINY SERIES



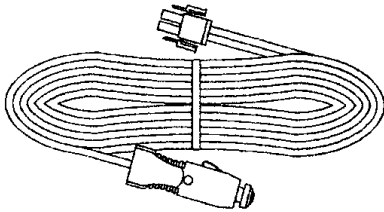
4747E5871 PARTS PACKAGE 3170, 3175
 4752B9861 PARTS PACKAGE 3186, 88, 89, 96
 4754-4391 PARTS PACKAGE 3194

FLAT RATE	PARTS PACKAGE COMPONENT PARTS
	① 4749A9601 29" TOW CHAIN M2 (ALL)
	② 4735D6691 PIGTAIL 4 PRONG - 3170, 75
	4735F6741 PIGTAIL 6 PRONG - 3186, 88, 94, 89, 96
	③ 4747A5891 SPARE TIRE MOUNT (ALL)
	④ 4751-9571 ROUND REGULATOR COVER
	⑤ 4734C3781 REGULATOR COVER
.45	⑥ 4739B1291 REGULATOR
	⑦ 4749-1861 STABILIZER HANDLE 3170, 75
	⑧ 4732A4791 PIN M10
	⑨ 4771-2631 HITCH PIN M5
	⑩ 4730A3211 KEY M10 # 1101X (CHROME PLATED)
	4730B3211 KEY M10 # 8025 (GOLD PLATED)
	⑪ 4747F4141 CRANK HANDLE (ALL)
	⑫ 4733F6281 GAS BOTTLE MOUNTING BRKT. PKG.
	NOTE: (PKG. INCLUDES WING NUTS & WASHERS)
	⑬ 1202B0468 WASHER x2
	⑭ 1201-6258 WING NUT x2
.20	⑮ 4733A3991 GAS HOSE (ALL EXCEPT 3194)
.20	4737-8871 GAS HOSE 3194 ONLY
	⑯ 4746-0401 BREAK-A-WAY SWITCH (3194)
	⑰ 4751-4811 15 AMP CIRCUIT BREAKER
	⑱ 4749A5531 WIRE HARNESS W/BREAKER (3194)
	⑲ 4746-5381 WINTERIZING ADAPTER (3194)

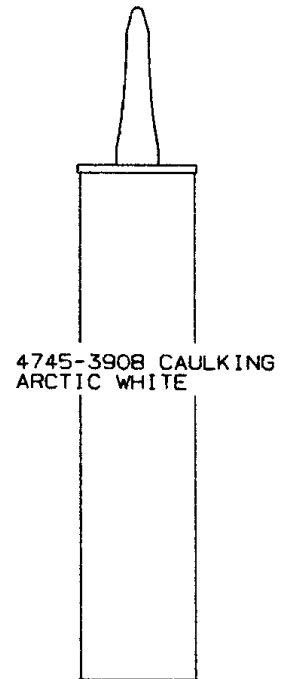
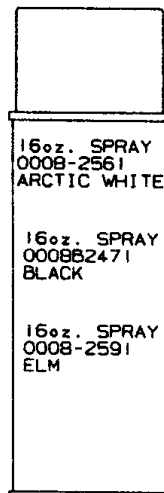
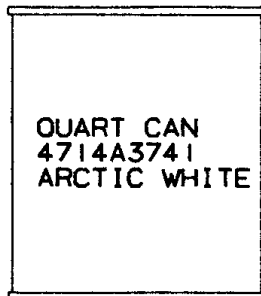
REPAIR PARTS/FLAT RATE



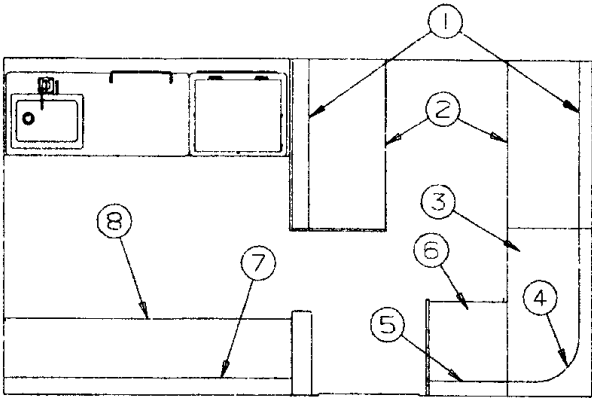
4733C6701
AUTO EXTENSION



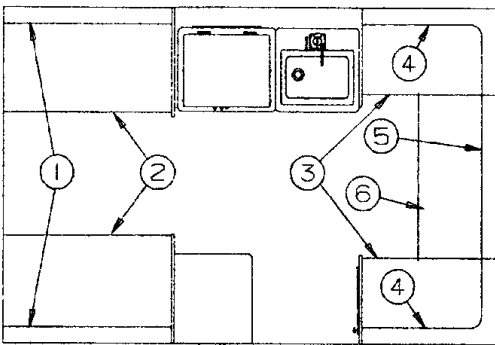
4716-4701
12 VOLT
CAP & PLUG PKG.



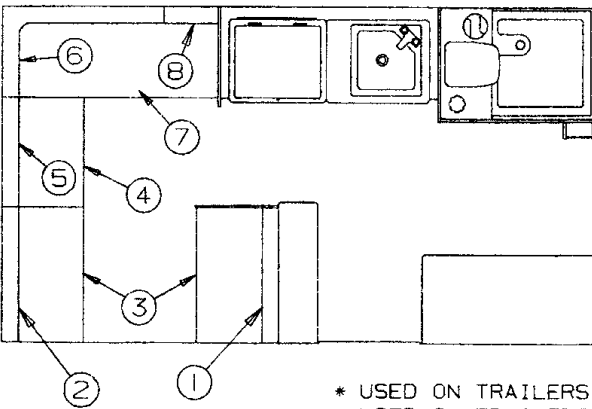
1997 DESTINY SERIES



FLAT RATE	CUSHION & BACKREST ASSY.'S 3186 BAYPORT
.10	① 4754A5231 BACKREST ASSY. x2 - 41x13 3/8x4
.10	② 4754A5241 CUSHION ASSY. x2 - 41x18x4
.25	4716A5241 CUSHION COVER
.10	③ 4754A5971 CUSHION ASSY. x1 - 39 3/4x21 3/4x4
.25	4716A5971 CUSHION COVER
.10	④ 4754A5991 CORNER BACKREST ASSY.
.10	⑤ 4754A5981 BACKREST ASSY. x1 - 19 1/4x18 3/4x4
.10	⑥ 4754A5961 CUSHION ASSY. x1 - 19 1/4x20 1/4x4
.25	4716A5961 CUSHION COVER
.10	⑦ 4754B5571 BACKREST ASSY. x1 - 70x12x4
.25	⑧ 4754C5561 CUSHION LESS LEGS x1 - 69 1/2x22 1/2
.25	4716C5561 CUSHION COVER
.25	4753A5521 CUSHION SUPPORT LEG x2 PER CUSHION



FLAT RATE	CUSHION & BACKREST ASSY.'S 3188 SEA PINE
.10	① 4754-6361 BACKREST ASSY. - 40 5/8x19 1/2x4
.10	② 4754-6381 CUSHION ASSY. - 40 5/8x20 3/8x4
.25	4716-6381 CUSHION COVER
.10	③ 4754-6371 CUSHION ASSY. - 33 1/4x20x4
.25	4716-6371 CUSHION COVER
.10	④ 4754-6341 CORNER BACKREST ASSY.
.10	⑤ 4754-6351 BACKREST ASSY. - 40 5/8x16 3/8x4
.10	⑥ 4754-6391 CUSHION ASSY. - 40 5/8x17x4
.25	4716-6391 CUSHION COVER



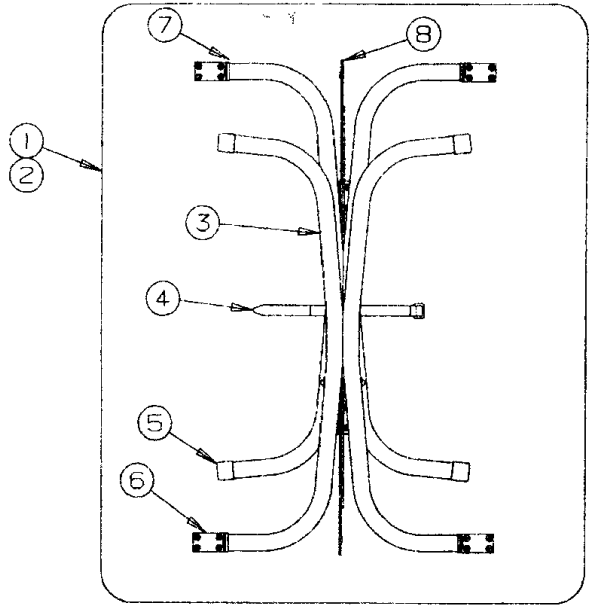
FLAT RATE	CUSHION & BACKREST ASSY.'S 3194 WEST LAKE
.10	① 4754-6581 BACKREST ASSY. - 31 3/4x15 3/4x4
.10	② 4754-6571 BACKREST ASSY. - 31 3/4x18 3/4x4
.10	③ 4754-6611 CUSHION ASSY. - 32 1/2x15 3/4x4
.25	4714-6611 CUSHION COVER
.10	④ 4754-6621 CUSHION ASSY. - 26 3/8x16x4
.25	4714-6621 CUSHION COVER
.10	⑤ 4754-6701 BACKREST ASSY. - 26 3/8x18 3/8x4
.10	⑥ 4754A5991 CORNER BACKREST ASSY.
.10	⑦ 4754-6631 CUSHION ASSY. - 52x22 1/2x4
.25	4716-6631 CUSHION COVER
.10	⑧ 4754-6591 BACKREST ASSY. - 12x14x4

- * USED ON TRAILERS FROM S/N - 01511 TO 01610 -3170 LAREDO
- ** USED ON TRAILERS FROM S/N - 01611 THEREAFTER -3170 LAREDO
- * USED ON TRAILERS FROM S/N - 03011 TO 03300 -3175 TAOS
- ** USED ON TRAILERS FROM S/N - 03301 THEREAFTER -3175 TAOS

CUSHION & BACKREST ASSEMBLIES			
MODEL	CUSHION F.R. ASSEMBLY '10	CUSHION F.R. COVER '25	BACKREST F.R. ASSEMBLY '10
3170 LAREDO	* 4747E5801	4716E5801	4747E5811
3170 LAREDO	** 4747F5801	4716F5801	4747F5811
3175 TAOS	* 4749E6581	4716E6581	4749E6571
3175 TAOS	** 4749F6581	4716F6581	4749F6571
3189 SANTA FE	4754A5241	4716A5241	4754A5231
3196 CHEYENNE	4754A5241	4716A5241	4754A5231
3196 CHEYENNE	NOTE: REFER ABOVE TO CODE #7,8 FOR CURBSIDE CUSHION & BACKREST 3186		

REPAIR PARTS/FLAT RATE

FLAT RATE	DINETTE TABLE ASSEMBLY COMPONENTS		
.50	① 4747F4121	TABLE TOP 3170 - 23 1/2x36	
.50	4748F2761	TABLE TOP 3175 - 30x39	
.50	4754A2431	TABLE TOP 3186 - 54 1/4x30	
.50	4754-0391	TABLE TOP 3189,88,96 - 30x41	
.50	4754-3891	TABLE TOP 3194 - 54x28	
.25	② 4060500084F	T-MOLDING (SOLD/FOOT)	
.50	③ 4745D52781	TABLE LEG PKG. "ELM"	
		NOTE: PKG. INCLUDES 2 LEGS & REQUIRED MOUNTING HARDWARE	
.10	④ 4751A9711	STRAP & SCREW PKG.	
	⑤ 4752-0551	WHITE PLASTIC CAP M2	
	⑥ 4720E1211	TABLE LEG MOUNTING BRACE M2	
	1103B101F	5/8" WOOD SCREW	
.15	⑦ 4752A0561	TABLE LEG INSERT CAP M2	
	4747-2558	EXPANSION RIVET M25	
	⑧ 4720A1501	LOCK BRACE ASSEMBLY	
	1103B101F	5/8" WOOD SCREW	



4753-3341 BLACK PUSH FASTENER M12 TO HOLD VALANCE IN CORNER OF TOP

DRAPES PKG. (LESS VALANCE PKG.)

MODEL	DRAPES PKG.
.30 3170,75	4748F6531
.30 3186,94	4754A5851
.30 3188,89	4754A5711
.30 3196	4754A5501

SINGLE DRAPE PANEL W/SAFETY STRAPS

.15 4716G2211	LARGE SINGLE DRAPE PNL. 48 1/2 x48	3170,75
.15 4715G2221	SMALL SINGLE DRAPE PNL. 48 1/2 x35	3170,75
.15 4716G2241	SINGLE DRAPE PNL. 48x45	3186,88,89,94,96

DRAPES COMPONENTS

.05 4750-2891	DRAPES TAB C-SHAPE M60
---------------	------------------------

VALANCE PACKAGE

MODEL	VALANCE PKG.
.25 3170,75	4716F6531
.25 3186,94	4716A5851
.25 3188,89	4716A5711
.25 3196	4714A5501

DRESSING ROOM CURTAIN PACKAGE

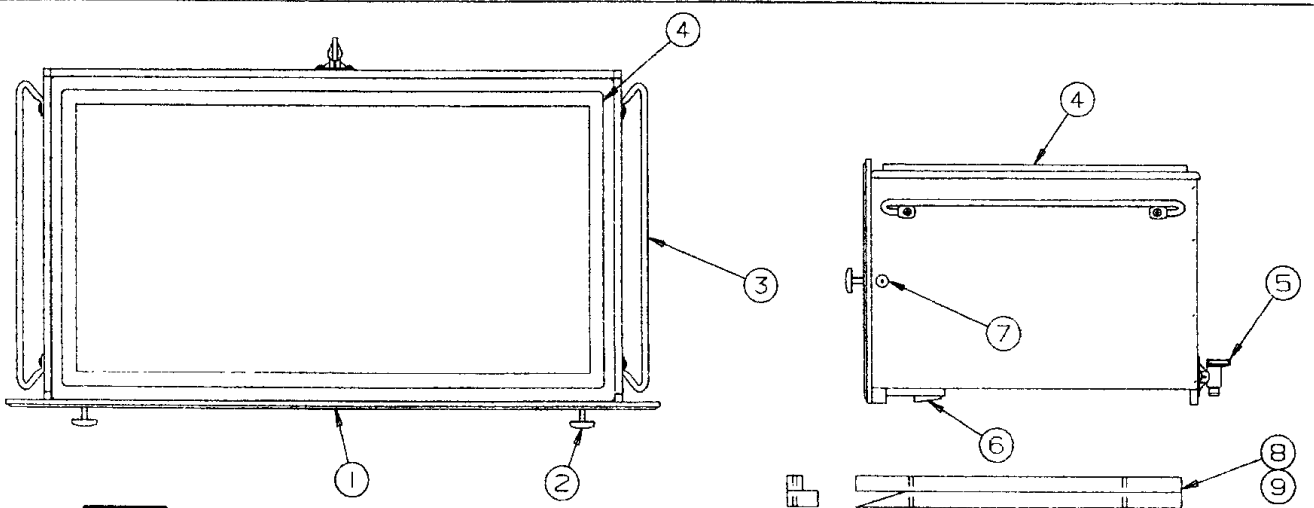
MODEL	CURTAIN PKG.
.20 3194	4753-9821

DRAPES TIE PACKAGE (QTY. 1)

MODEL	TIE PKG.
.05 3170,75	4753-9791
.05 3186,88,89,94,96	4753-9801

SHOWER CURTAIN-WHITE VINYL

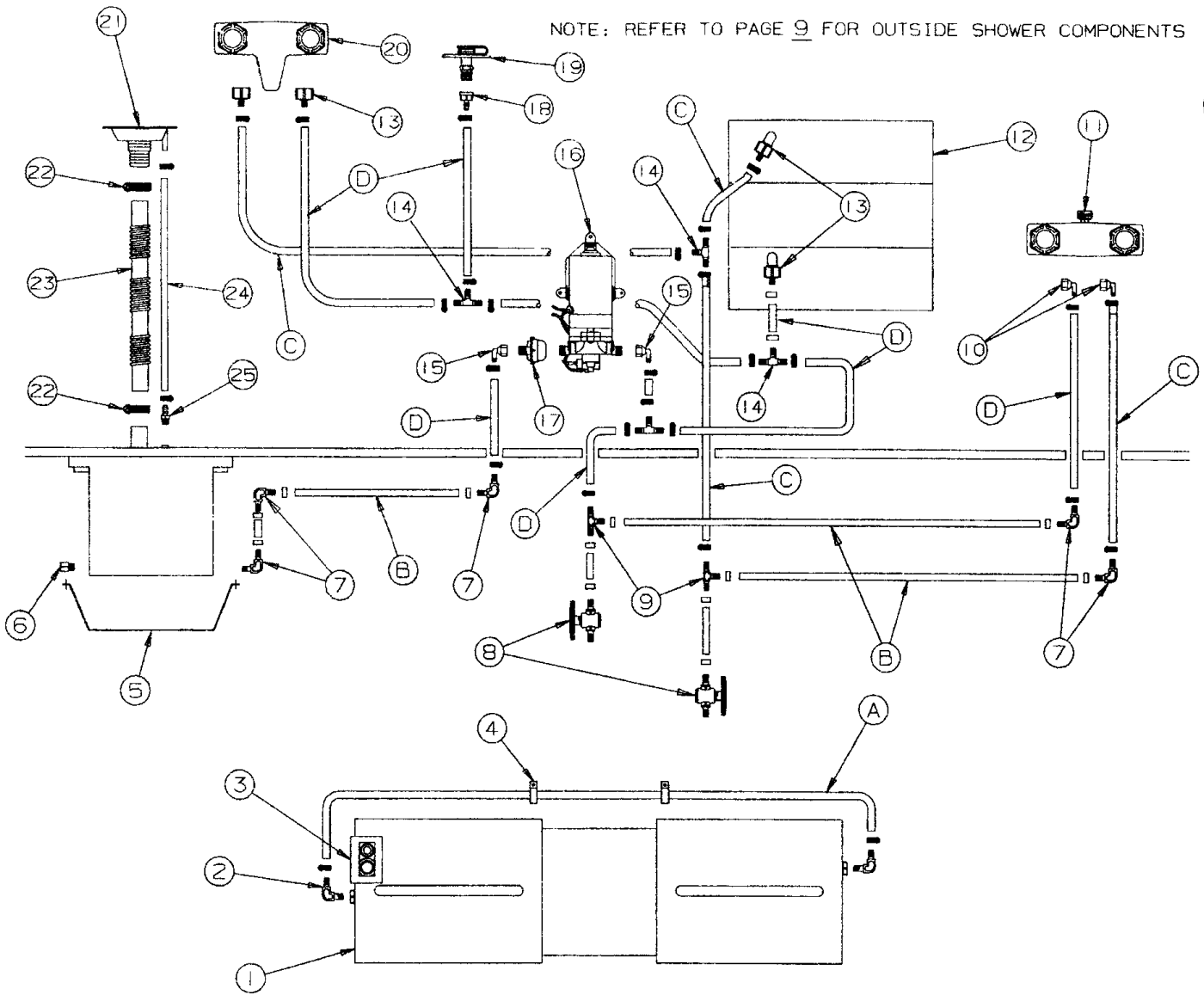
.20 4749A6661	SHOWER CURTAIN 3194
.20 4748-8161	SHOWER CURTAIN CLIPS M10



FLAT RATE	.15 - DRAWER WITH DROP-IN COOLER 3188 - 4754-6791 (COMPLETE)				
.20	① 4754-4371	DRAWER FRONT	.20	⑤ 4715G4381	DRAIN
.10	② 4748A3951	DOOR PULL (INCLUDES SCREW)	.10	⑥ 4747-9421	WEDGE M2
.15	③ 4744-8321	COOLER LEG x2		⑦ 4744B4608	RIVET M25 "ELM"
.15	④ 4754-4481	DROP-IN COOLER	.25	⑧ 4754-4491	WOOD DRAWER TRACK (LT.)
			.25	⑨ 4754-4501	WOOD DRAWER TRACK (RT.)

1997 DESTINY SERIES

NOTE: REFER TO PAGE 9 FOR OUTSIDE SHOWER COMPONENTS



- (A) 4060000051 1/2" I.D. TRANSPARENT TUBING (SOLD/FOOT)
- (B) 4060050001 3/8" I.D. GREY PLASTIC TUBING (SOLD/FOOT)
- (C) 4714-338 HOT WATER HOSE 3/8" I.D. (SOLD/FOOT)
- (D) 4714-038 3/8" I.D. H.P. HOSE (SOLD/FOOT)

FLAT RATE WATER SYSTEM & RELATED PARTS 3194 WEST LAKE

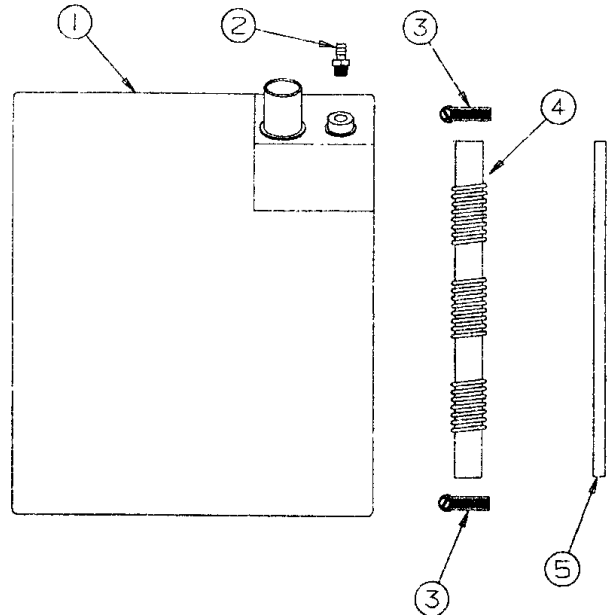
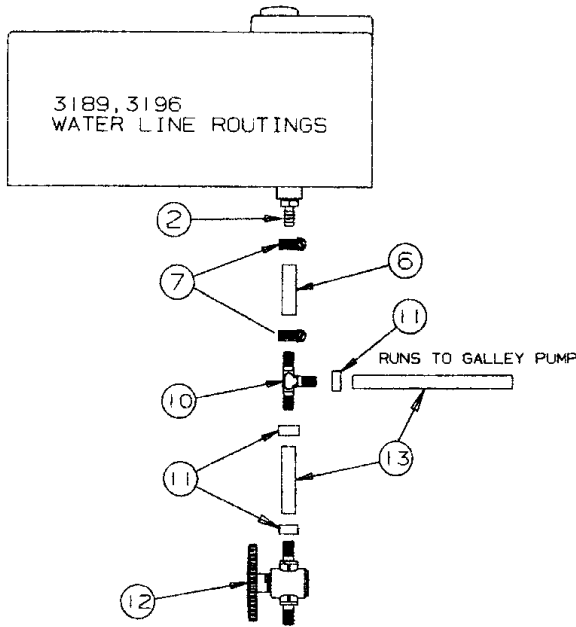
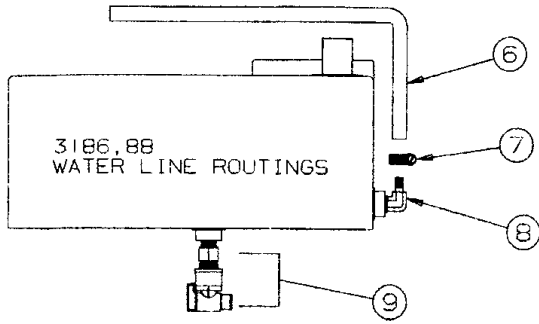
1.50	(1) **4753-4111	WATER TANK	.40	(14) 1218-1508	BARBED TEE
.35	(2) 4741A2378	ELBOW	.20	(15) 4741-2351	SWIVEL ELBOW
.50	(3) 4742A8631	WATER TANK GASKET	.50	(16) 4741C5571	ELECTRIC WATER PUMP
	(4) 1201-8658	TUBE CLAMP	.25	(17) 4747A8311	WATER FILTER
.20	(5) 4753A4801	WATER TANK HANGER x2	.20	(18) 4741-9568	FEMALE ADAPTER
.15	(6) 1218-700	PLUG		1202-5828	RUBBER WASHER
.25	(7) 4741-2398	BARBED ELBOW	.30	(19) 4732F1521	CITY FILL
.20	(8) 4741A2368	LINE DRAIN	.50	(20) 4745D2741	MIXER FAUCET
.40	(9) 4741-2388	TEE	.30	(21) 4731D1711	WATER TANK FILL SPOUT
.20	(10) 4741-9068	SWIVEL ELBOW	.35	(22) 4715-4501	ADJUSTABLE HOSE CLAMP
.50	(11) 4741B2071	SHOWER DIVERTER	.35	(23) 4731H1081	WATER FILL HOSE 3' LENGTHS
*	(12) 4750-3421	WATER HEATER	.15	(24) 4060050003F	1/2" H.P. HOSE (SOLD/FOOT)
.20	(13) 4716-2341	BARB, NUT & SEAL PACKAGE		(25) 4732B4561	HOSE ADAPTER

* WARRANTED THROUGH VENDOR

** WATER TANK REPAIRS MUST BE PREAPPROVED BY FACTORY

REPAIR PARTS/FLAT RATE

RUNS TO GALLEY PUMP



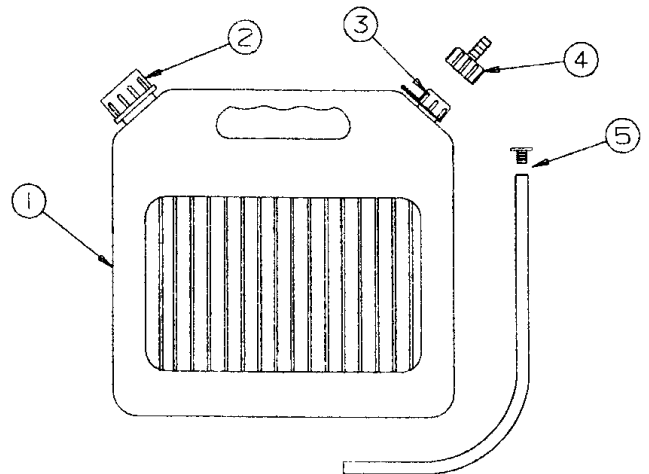
FLAT RATE	3186,88,89,96	WATER SYSTEM & RELATED PARTS
.50 *	① 4733G1411	WATER TANK (10 GALLON) 3186,88
.50 *	② 4733F141A1	WATER TANK (10 GALLON) 3189,96
.15	③ 4732C4561	HOSE ADAPTOR (ALL)
	④ 4715-4501	HOSE CLAMP 1 1/4"
.35	⑤ 4731H1081	WATER FILL HOSE 24" PC.
	⑥ 4060050003F	1/2" H.P. HOSE SOLD/FT.
	⑦ 4714-338	3/8" H.P. HOSE (SOLD/FOOT)
	⑧ 4731-3058	ADJUSTABLE HOSE CLAMP
.20	⑨ 4741-2378	ELBOW
.30	⑩ 4752-8721	DRAIN & COUPLER 3186,88
.40	⑪ 4741-2388	BARBED TEE
	⑫ 4741-2758	RING CLAMP
.20	⑬ 4741A2368	DRAIN TEE 3189,3196
	⑭ 4060050001	GREY WATER LINE (SOLD/FOOT)

* WATER TANK REPAIRS MUST BE PREAPPROVED BY FACTORY

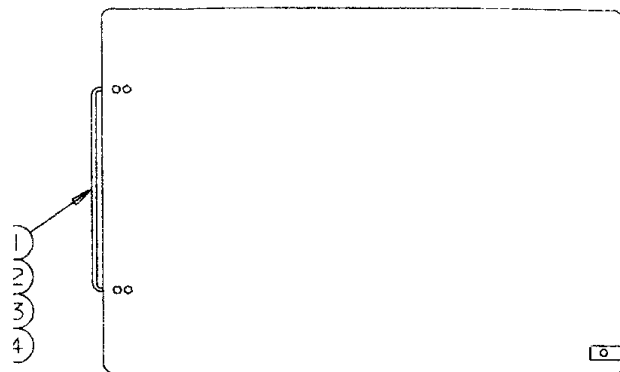
FLAT RATE

PORTABLE WATER TANK - 3170,75

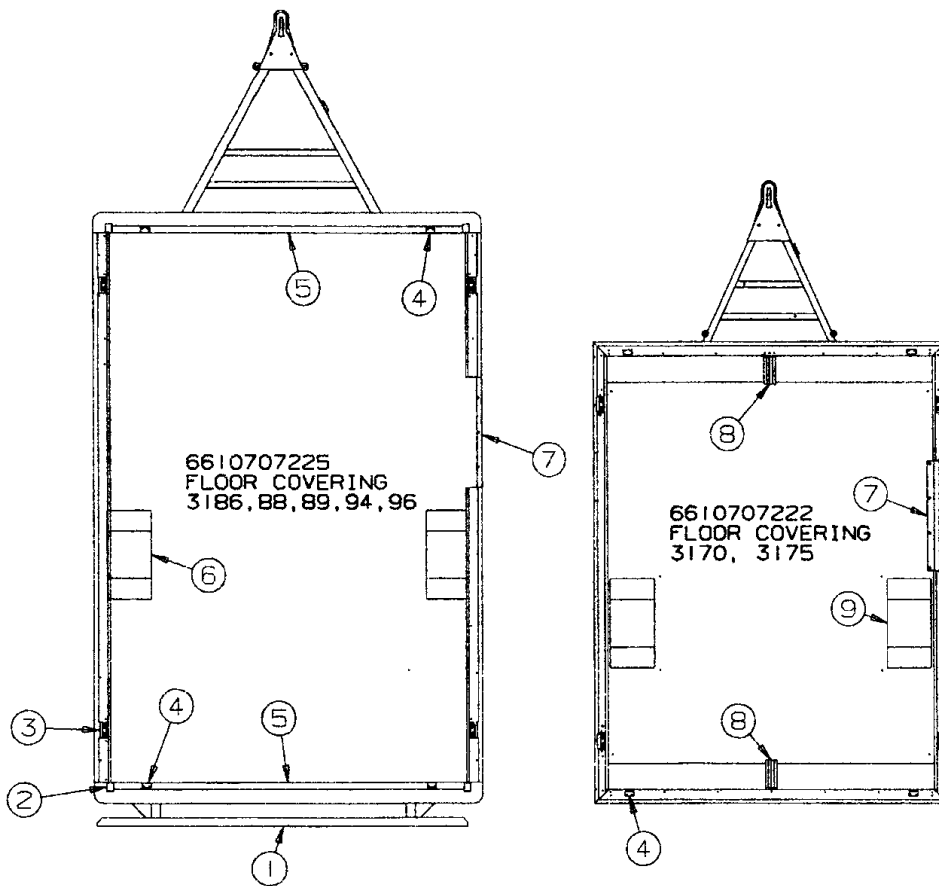
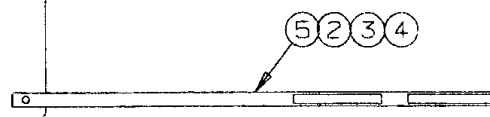
.10	① 4735-2131	WATER TANK 5 GALLON (COMPLETE)
	4735C0988	WATER TANK DECAL
	② 4714-0231	LARGE CAP
	③ 4714-0221	SMALL CAP W/TIE-ON
	④ 4714-0241	BARB STEM & COLLAR
	⑤ 4714A0671	SUCTION STEM



1997 DESTINY SERIES



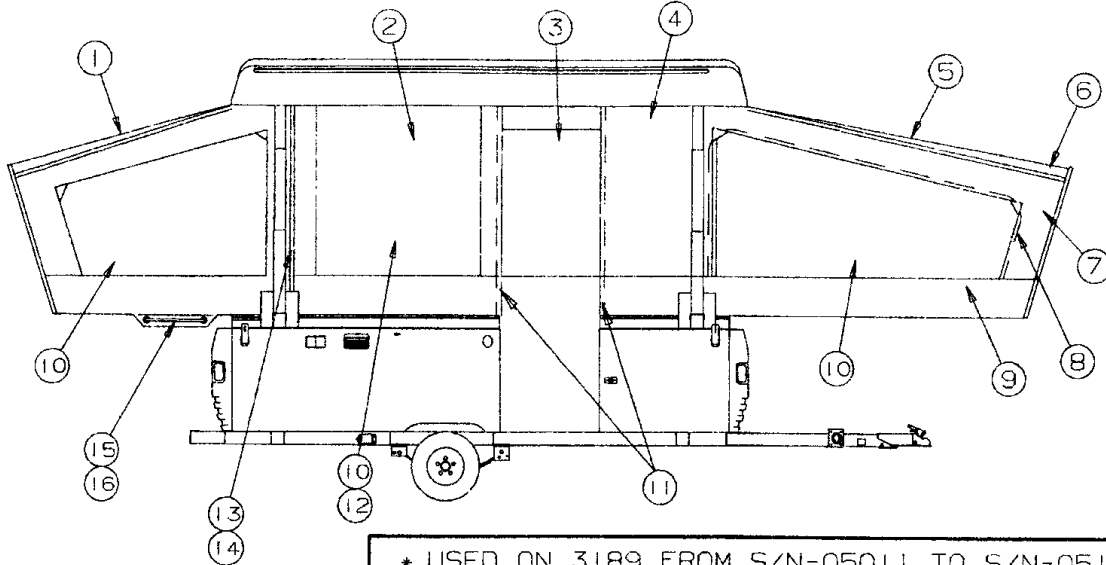
FLAT RATE	F.R. - .40 SHOWER BOARD COMPLETE
	4755A5671 - SHOWER BOARD ASSY. 3194
.15	① 4734D0991 TOWEL BAR
.15	② 4716-052 BOLT
.15	③ 1201B6958 NUT
.15	④ 4739A4191 VINYL CAP "BLACK" M6
.15	⑤ 4755A5681 HOLD-UP STRAP
	4746B8621 MOUNTING BRKT.S & RIVETS
	NOTE: BRACKETS NOT SHOWN



INTERIOR & EXTERIOR MISCELLANEOUS PARTS

①	NOTE: REFER TO PAGE 7 FOR BUMPER & RELATED PARTS
②	4747-2171 BUG HOLE PATCH x4
③	NOTE: REFER TO PAGE 8 FOR LIFT TRIM & RELATED PARTS
④	4734E1531 BED STOP ANGLE
	1107E10128 SCREW x2 PER ANGLE
⑤	4754A1041 PLASTIC TRIM ANGLE 80 3/4" PC.
⑥	4754B0531 WHEEL WELL 3186, 88, 89, 94, 96
⑦	4747A5621 SCREEN DOOR THRESHOLD
⑧	4747B5841 BED GUIDE SLIDE
⑨	4747A4161 WHEEL WELL 3170, 75

REPAIR PARTS/FLAT RATE

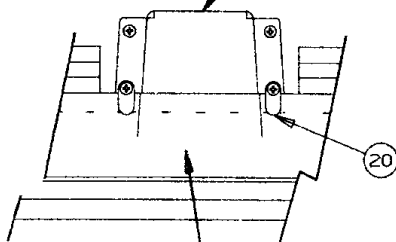


* USED ON 3189 FROM S/N-05011 TO S/N-05140

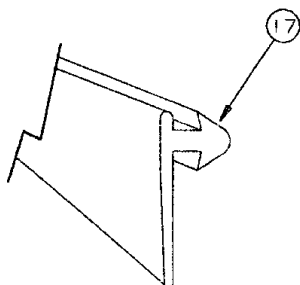
** USED ON 3189 FROM S/N-05141 THEREAFTER

COPIES OF SUBLET BILLS FOR TENT REPAIRS
MUST BE ATTACHED TO WARRANTY CLAIM

LIFT POCKET



TENTING

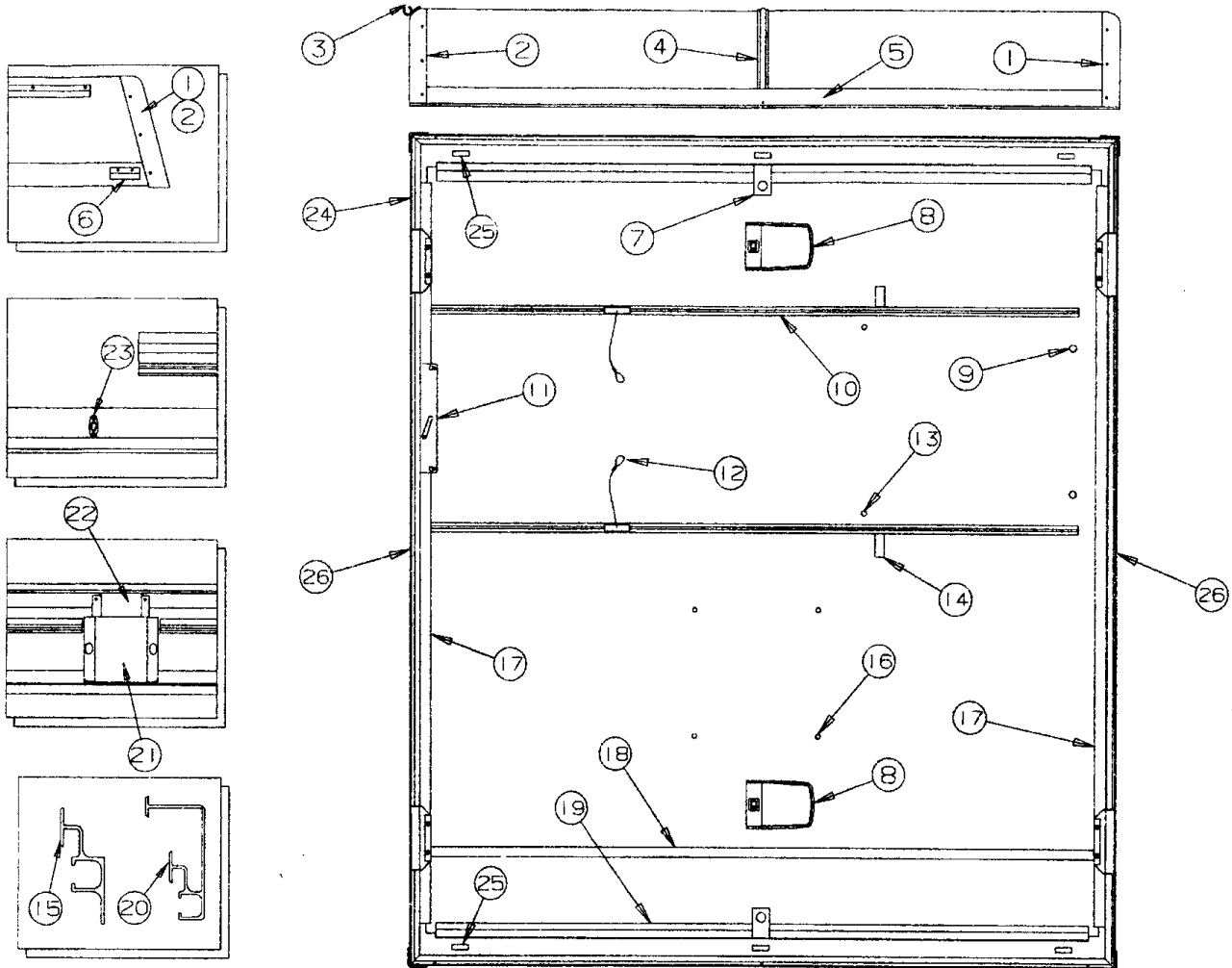


FLAT RATE SUNBRELLA TENTING & COMPONENTS

.40	① 4747E6539I	REAR BOOT 3170,75
.40	4753A5879I	REAR BOOT 3188,89,96
.40	4753A5869I	REAR BOOT 3186,94
.20	② 4747E6529I	SMALL WINDOW 3170,75
.20	4753A5899I	SMALL WINDOW 3186,94
.20	* 4716A5929I	SMALL WINDOW 3189
.20	** 4753A5929I	SMALL WINDOW 3188,89
.20	4753A5949I	SMALL WINDOW 3196
.20	③ 4747E6509I	LARGE WINDOW 3170,75
.20	4753A5919I	LARGE WINDOW 3188,89,96
.20	4753A5889I	LARGE WINDOW 3186
.20	4755-6739I	LARGE WINDOW 3194
.15	④ 4748C6639I	DOOR SEAL 3170,75
.15	4753A5909I	DOOR SEAL 3186,94
.15	* 4716A5939I	DOOR SEAL 3189
.15	** 4753A5939I	DOOR SEAL 3188,89
.15	4753A5959I	DOOR SEAL 3196
.40	⑤ 4747E6539I	FRONT BOOT 3170,75
.40	4753A5869I	FRONT BOOT 3186,88,89,94,96
.30		PER BOOT (PINHOLE DAULBING)
	⑥ 8119901429	TOP VINYL (SOLD/YARD)
	⑦ 4716C085I	SUNBRELLA PATCH PKG. (12"x14")
	⑧ 6650500130F	ZIPPER (SOLD/YARD) USED AROUND WINDOW
	1225-446I	ZIPPER PULL M5
	⑨ 8118001450	BOTTOM VINYL FACING (SOLD/ YARD)
	⑩ 4714E161I	SCREEN PKG. (84" x 3 YARDS)
	4714A036I	SCREEN PKG. (84" x 13 YARDS)
	⑪ 435000009P	1" VELCRO LOOP (10' PC. PACKAGED)
	⑫ 4716-240I	CLEAR WINDOW VINYL (41" x 2 YARDS)
	⑬ 1225-3658	ZIPPER PIN HALF 52" 3170,75
	1225G3768	ZIPPER PIN HALF 45 1/2" 3186,88,89,94,96
	⑭ 1225-3668	ZIPPER SLIDER HALF 52" 3170,75
	1225G3758	ZIPPER SLIDER HALF 45 1/2" 3186,88,89,94,96
.50	⑮ 4060000045F	1/4" SHOCK CORD (SOLD/FOOT)
	4714B602I	SHOCK CORD & CRIMPS M2 (TWO 14'LENGTHS)
.50	⑯ 4724-201I	SHOCK CORD CRIMPS M10
	⑰ 4060000024F	ARROWHEAD SEAL (SOLD/FOOT)
.30	⑱ 4735A672I	EXTENSION HARNESS 3170,75
.30	4735B672I	EXTENSION HARNESS 3186,88,89,94,96
.50	⑲ 4743-1588	K-KOTE SEAM SEALER
	⑳ 4728-584I	TENT RETAINERS & TEK SCREWS (PKG. 8 EACH)
	㉑ 1112B0616I	TENT SCREW M25 (TO HOLD TENT IN TRACK)



1997 DESTINY SERIES

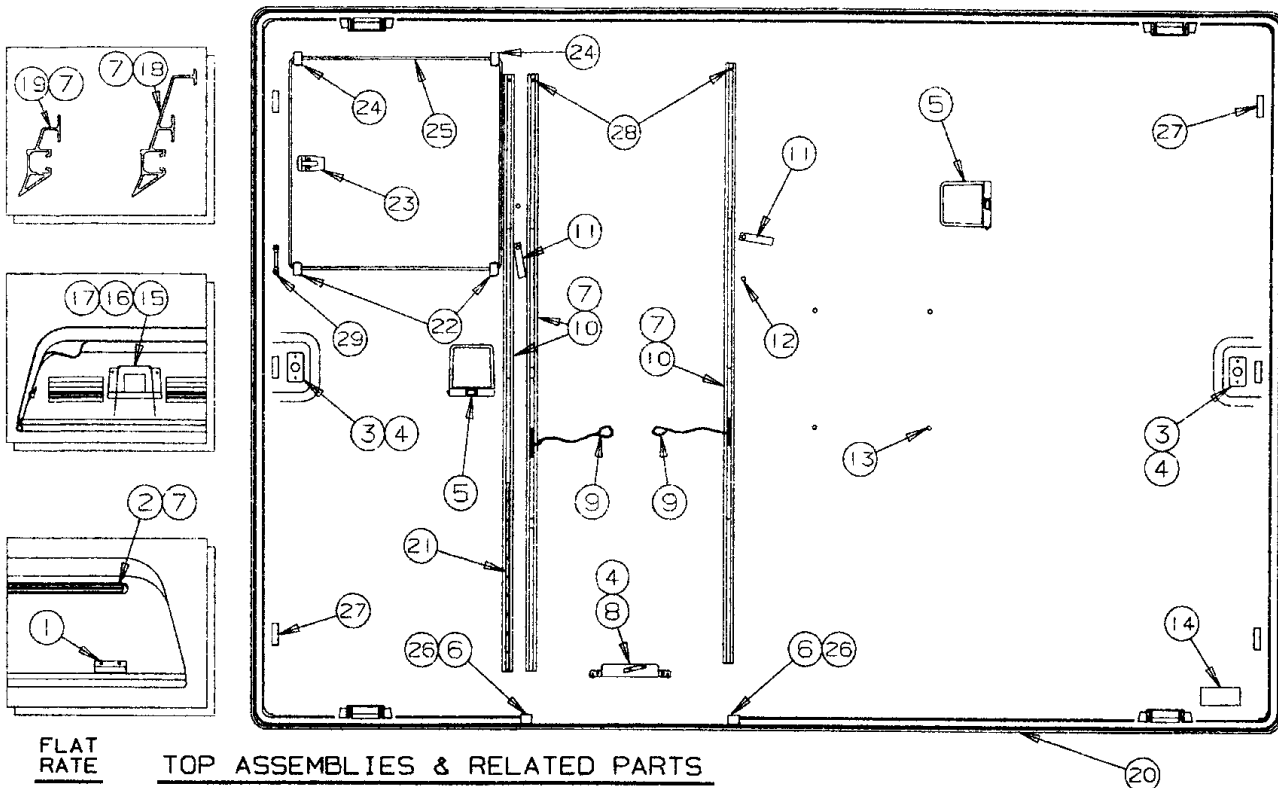


FLAT
RATE

4.00 4716U9701 - TOP ASSEMBLY 3170,3175
NOTE: CODE *25 NOT INCLUDED ON TOP MUST ORDER SEPERATELY

.50	①	4747B1101	TOP CORNER (RT. FRT./LT. RR.)	.15	⑫	4734D5211	SCREEN DOOR CABLE M6
		4745-3968	PAINTED SCREW x6		⑬	4730A3548	STUD W/SCREW x2
		4350000058F	SATURATED FOAM TAPE (SOLD/FOOT)	.15	⑭	4723A5061	STRAP x2
.50	②	4747B1091	TOP CORNER (LT. FRT./RT.RR.)	.30	⑮	4747A1271	TENT TRACK (FRONT/REAR)
.50	③	4728D20881	CANOPY TRACK (MUST CUT TO SIZE)			1103E1018	STAINLESS STEEL SCREW
		4745-3968	PAINTED SCREW	.20	⑯	1203-9258	PLASTIC ACCORDION RIVET M25
1.00	④	4752-0279	CENTER SEAM (MUST CUT TO SIZE)		⑰	4741H18681	SIDE COVE x2 (MUST CUT TO SIZE)
		4060400096F	VINYL SCREW COVER (SOLD/FOOT)			4741C96568	EXPANSION RIVET M25
		4741-3508	HEX HEAD SCREW	.20	⑱	4350400004F	VINYL TAPE (SOLD/FOOT)
		4350000058F	SATURATED FOAM TAPE (SOLD/FOOT)		⑲	4741G21481	COVE (FRONT/ REAR)
.50	⑤	4741E21381	TOP SEAL EXTRUSION FRT./RR.			4741C96568	EXPANSION RIVET M25
.15	⑥	4750A9581	TOP STRIKE x4 M2	.30	⑳	4747D1281	TENT & VAL.TRACK (SOLD/68" PC.)
		4744A2461	PAINTED SCREW M2			1103E1018	STAINLESS STEEL SCREW
		1201B6958	NUT x2 PER STRIKE	.20	㉑	4747D5521	LIFT POCKET COVER x4
.15	⑦	4741F11381	TENT SUPPORT BRKT.			4741D3558	HOLE PLUG x2
		4741C9368	PAINTED SCREW x2	.25	㉒	4350000005F	VELCRO HOOK (SOLD/YARD)
.15	⑧	4737H5911	SINGLE DOME LIGHT			4741B5431	LIFT POCKET x4
		4714H0891	DOME LIGHT LENS	.15	㉓	1201B6378	LOCK NUT x2
		1103B1028	SCREW x4			4750-2978	LATCH x2
	⑨	4737-3211	RUBBER BUTTON M8			1203-B951	RIVET M25
.30	⑩	4733G47181	SCREEN DOOR TRACK x2	.50	㉔	4060000399F	RUBBER TOP SEAL (40'PACKAGED)
		4744A4611	EXPANSION RIVET M25		㉕	4724F2631	VELCRO HOOK M6
		1203-9258	PLASTIC ACCORDION RIVET M25				NOTE: TO HOLD VALANCE IN PLACE
.20	⑪	4749A5571	SCREEN DOOR BRACKET	.75	㉖	4747B1291	TOP SEAL SIDE EXTRUSION
		4741C96568	EXPANSION RIVET M25	1.00			EXPAND TOP CORNER
		4749-2138	SNAP BUTTON	1.50			R&R A/C
		1203-8631	RIVET M25	1.00			R&R DOUBLE CROSS BARS

REPAIR PARTS/FLAT RATE



FLAT RATE TOP ASSEMBLIES & RELATED PARTS

- 2.50 4753A5761 TOP ASSEMBLY 3186 BAYPORT
- 2.50 * 4716A59881 TOP ASSEMBLY 3189 SANTA FE
- 2.50 ** 4753A59881 TOP ASSEMBLY 3188 SEA PINE - 3189 SANTA FE
- 2.50 4755A5191 TOP ASSEMBLY 3194 WEST LAKE
- 2.50 4753A5971 TOP ASSEMBLY 3196 CHEYENNE

* USED ON 3189 FROM S/N-05011 TO S/N-05140
 ** USED ON 3189 FROM S/N-05141 THEREAFTER

FLAT RATE	DESCRIPTION
.15	① 4750A9581 TOP STRIKE x4 M2 4744A2461 MACHINE SCREW M2 (x2 PER STRIKE) 1201B6958 KEPS NUT (x2 PER STRIKE) 1202E0408 WASHER (x2 PER STRIKE) 4739A4191 VINYL CAP M6 (x2 PER STRIKE)
.50	② 4753-1211 CANOPY TRACK 137 1/2"
.15	③ 4741G11381 TENT SUPPORT BRKT. (x2 PER TOP)
.15	④ 4734C1861 RIVET M25 ⑤ 4737H5911 SINGLE DOME LIGHT 4714H0891 DOME LIGHT LENS 1203-8741 RIVET M25 4753-3351 PLASTIC SPACER M12
.15	⑥ 4755A1491 SCREEN DR. RETAINING BRKT. & RIVETS 4733C0601 RIVET M25 ARCTIC WHITE ⑦ 4716-2171 ABS TOP GLUE KIT
.20	⑧ 4749C5571 SCREEN DOOR STORAGE BRACKET 4749-2138 SNAP BUTTON 1203-8631 RIVET x1 M25 (HOLD BUTTON TO BRKT.)
.15	⑨ 4734E5211 SCREEN DOOR CABLE M2
.50	⑩ 4753-1221 SCREEN DOOR TRACK x2 NOTE: TRACK USED x3 ON 3194 WEST LAKE ONLY
.5	⑪ 4723B5061 SCREEN DOOR STRAP x2 NOTE: REFER TO CODE *22 FOR MOUNTING HARDWARE
	⑫ 4730A3548 STUD W/SCREW x2
	⑬ 1203-9258 ACCORDION RIVET M25
1.50	R&R A/C - 1.00 R&R DOUBLE CROSS BARS
	⑭ 4734B397 EXIT DECAL
.25	⑮ 4753-5961 LIFT POCKET ASSEMBLY x4 4745-3968 SCREW (x4 PER LIFT POCKET)
.10	⑯ 4723A8071 2" x 2" VELCRO HOOK PATCH M4
.10	⑰ 4724D0991 3/4" VELCRO STRIP M4
.50	⑱ 4753B1161 SIDE TENT TRACK (MUST CUT TO SIZE)
.50	⑲ 4753B1201 TENT TRACK FRONT & REAR
.50	⑳ 4753-8861 TOP SEAL (SOLD 38 FOOT/PC.) ㉑ 4755-5241 CURTAIN SLIDE TAB x10 (3194 ONLY)
.15	㉒ 4755-5221 SHOWER ROD STRAP x2 (3194 ONLY) 4739-2918 SCREW CAP WASHER 4739E2908 SCREW CAP 4747-2558 EXPANSION RIVET M25
.20	㉓ 4750-1761 SHOWER HEAD BRKT. (3194 ONLY)
.15	㉔ 4755-5211 SHOWER ROD STRAP x2 (3194 ONLY) NOTE: REFER TO CODE *22 FOR MOUNTING HARDWARE
.10	㉕ 4755-5231 SHOWER CURTAIN ROD (3194) ONLY
	㉖ 4720D4021 LASHING HOOK M6 4741D96568 EXPANSION RIVET M25 ARCTIC WHITE
.15	㉗ 4724F2631 VELCRO HOOK M6 NOTE: TO HOLD VALANCE IN PLACE
	㉘ 4741D96568 EXPANSION RIVET M25 ARCTIC WHITE 4753-3351 PLASTIC SPACER M12 NOTE: USED ON BOTH ENDS OF TRACK
	㉙ 4733A4511 STEEL LOOP 3194 ONLY 1203-8978 COUNTERSUNK RIVET M25