

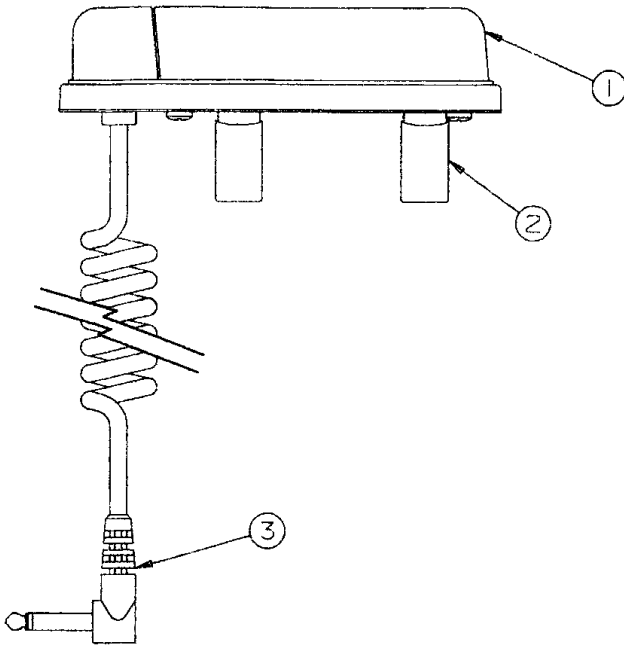
1997 ACCENTSORY
REPAIR PARTS

1997 ACCESSORY

TABLE OF CONTENTS

DESCRIPTION	PAGE NUMBER
Air conditioner kits	10
Battery mount kit	4
Bunk bed component parts (3141 only)	9
Canopy "Self-storing" component parts	5
Cooler, Versacool	10
Cross bar kits	4
Electric brake package & component parts	4
Furnace Kits	3
Gas bottle cover (molded) Grand Tour	8
Hot Water Kit	3
Reading light kit	2
Screen room component parts	5
Spare tire cover (molded) Grand Tour	8
Step package " Destiny Series "	2
Table (pedestal table 3192 only)	11
Table (portable)	11
Wardrobe rack	2
Yakima accessories and component parts	
Frame mount bike carrier (4742-9001)	7
Boat mounting kit (4742-9021)	6
Cargo basket kit (4742-9031)	7
Axle - Dexter	219/295-1900
Cassette Potti - Thetford	800/521-3032
Converter - Magnetek	219/356-7101
Furnaces - Hydro Flame	800/831-7531
Hand Pump - Shurflo	800/762-8094
Mix Faucet - Kevco	219/262-2531
Range - Atwood Greenbrier	800/646-8557
Refrigerator - Norcold	800/543-1219
Tires - Duro	800/966-8473
Water Heater - Suburban	219/294-5686

1997 ACCESSORY

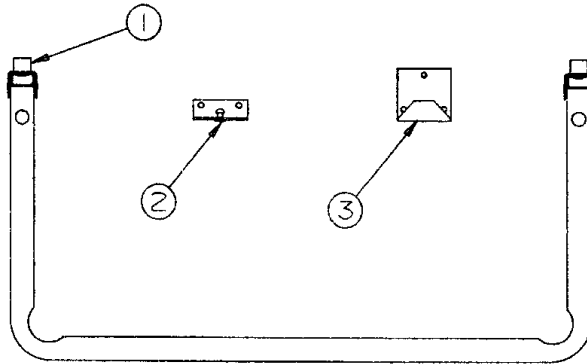


4749C6431 READING LIGHT & RELATED PARTS

- | | | |
|---|--|-----------------|
| ① | 4714H0891 | LENS |
| ② | 4749-9641 | GRIPPER CLIP M2 |
| ③ | NOTE: THIS ITEM NOT SOLD SEPARATELY FROM LIGHT | |

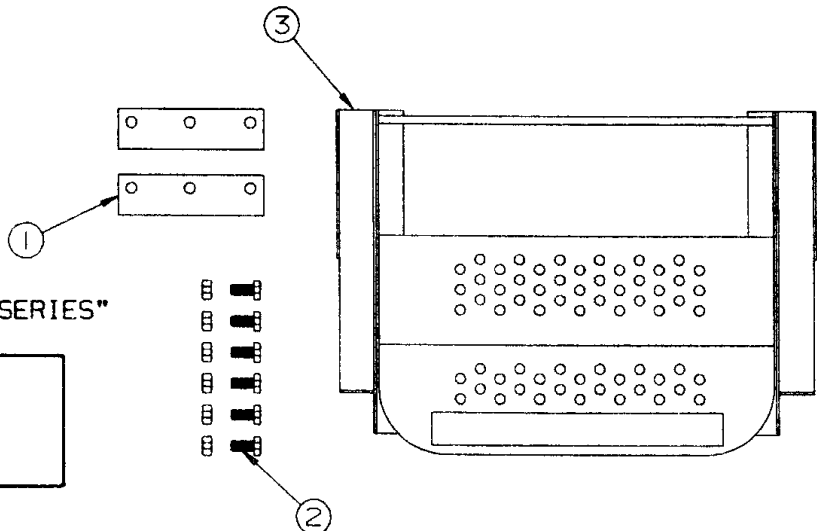
4747B5451 WARDROBE RACK - 3170,3175

- | | | |
|---|-----------|---------------------|
| ① | 4710-2681 | STOP BUTTON M5 |
| | 1203-8651 | RIVET M25 |
| ② | 4747A5461 | WARDROBE BRKT. x2 |
| | 4741C9368 | SCREW x2 PER BRKT. |
| ③ | 4741C4451 | CONVERSION BRKT. x2 |
| | 4741C9368 | SCREW x3 PER BRKT. |



4747B6541 - STEP ASSY. "DESTINY SERIES"

- | | | |
|---|-----------|---------------|
| ① | 4750-3361 | STEP SHIM x2 |
| ② | 1200B304B | BOLT x6 |
| | 1201B6068 | LOCK NUT x6 |
| ③ | 4747B6541 | STEP ASSEMBLY |



REPAIR PARTS

4753A6741 HOT WATER KIT COMPONENTS

4716-081	SCREW x10 (1103E0608)	4739A5696	GAS LINE ASSY. x1
4716-063	SCREW x20 (1103E1008)	4741-2351	SWIVEL ELBOW x4
1103B1016	SCREW x3	4741-2378	ELBOW x1
1103B1028	SCREW x2	4741-2388	BARBED TEE x4
1103E1018	SCREW x11	4741-2398	BARBED ELBOW x6
1201-8738	CLAMP x14	4741A2368	DRAIN TEE x2
1201-8708	3/8" CLAMP x3	4741A925	WOOD BLOCK x1
1215-1778	FLARED TEE x1	4741C5571	ELECTRIC WATER PUMP
1215-5168	ELBOW x2	4746-3778	FUSE HOLDER x1
4350000022F	1/2"x1/4" FOAM TAPE 8'	4747-2558	EXPANSION RIVET M25
4350001733F	TRIM TAPE x2'	4747A8311	IN-LINE FILTER x1
4350001799F	TRIM TAPE x2'	4750-3421	WATER HEATER x1
4714-038	3/8" HP HOSE x28'	4750-922	ELBOW x2
4714-338	3/8" HOSE 25'	4752-4361	MIXER FAUCET x1
4716-061	TAPPING SCREW x2	4753-8711	FAUCET PLATE x1
4716-1331	WATER HEATER DOOR x1	4755-598	WATER PUMP SHELF
4716-2341	FAUCET NUT, BARB & SEAL PKG. x6	4750-5861	SHOWER HATCH ASSY.
4731-3058	HOSE CLAMP x38	4755-147	SHOWER HATCH COVER "ELM"
4734-2388	CONNECTOR x4	4733C4981	ROCKER SWITCH x1
4737-8488	SCREW x12	4731H1081	WATER FILL HOSE x1
4738-3088	SCREW x2	1218-1508	BARBED TEE x6
		4741D96568	EXPANSION RIVET M25 ARCTIC WHITE

NOTE: FOR REPLACEMENT FURNACE OR PARTS
PLEASE CALL: 800\831-7531 HYDRO FLAME

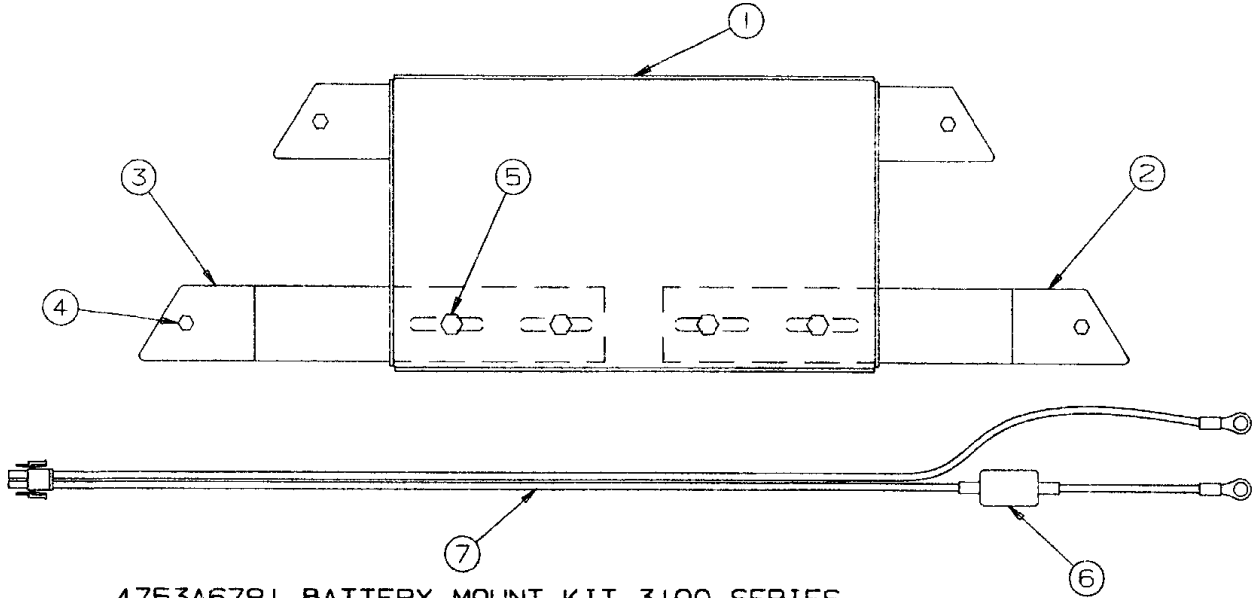
* NOTE: USED ONLY ON 4737N8041 KIT
** NOTE: USED ON 4737N8041 & 4747F4851 KITS

4747F4851 FURNACE & INSTALLATION KIT COMPONENTS

4737N8041 FURNACE & INSTALLATION KIT COMPONENTS

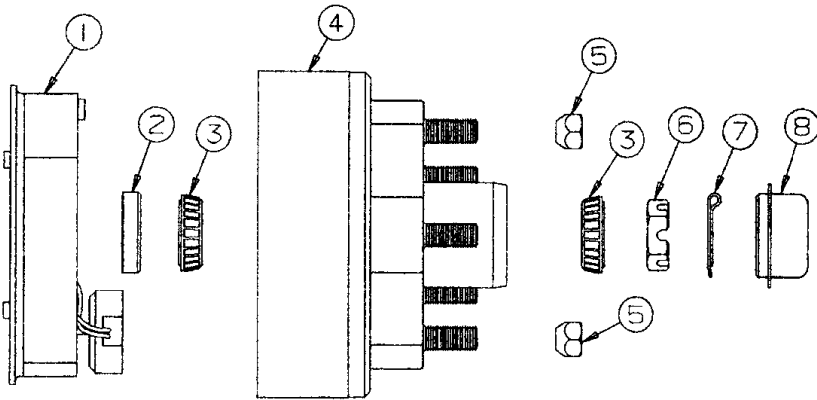
** 1103B0806	SCREW x6	* 4741B9471	VENT KIT
** 4716-063	SCREW x13 (1103E1008)	** 4744-050	1/2" TEK SCREW x2
* 1103B1032	SCREW x4	* 4746-178	ESCUTCHEON 3/8" OD x1
** 1201-8658	CLAMP x4	** 4747-8391	THERMOSTAT BRKT. & PLASTIC BASE
** 1201-8708	CLAMP x2	** 4749-678	GAS LINE ASSY. (SHORT)
** 1202B0268	WASHER x2	** 4749A617	HEATER BOX (WOOD)
** 1203-8641	RIVET x6 M25	** 47498827	LOWER GALLEY DIVIDER x4
** 1203-8741	RIVET x4 M25	** 4750-6421	HEATER HRANESS (SPRONG)
** 1215-1778	3/8" FLARED TEE x1	** 4750-6431	THERMOSTAT HARNESS
** 1215-2418	3/8" FLARED NUT x4	** 4752-8131	VENT KIT
** 1215-5168	3/8" ELBOW x1	** 4752-8461	THERMOSTAT
** 1216-2088	YELLOW WIRE CONNECTOR x3	* 4753-557	GAS LINE 17 1/2"
** 4350000029	PUTTY TAPE 2.5' SOLD/FOOT	* 4753-626	GAS LINE 22 3/8"
** 4734-3898	1" SNAP BUSHING x1	* 4754-268	LOWER GALLEY DIVIDER LARGE
** 4739-0528	SCREW x4	* 4755-675	FURNANCE BOX
** 4739-1258	1/2" SPLIT BUSHING x1		
* 4741A925	2"x2" WOOD BLOCK x2		

1997 ACCESSORY



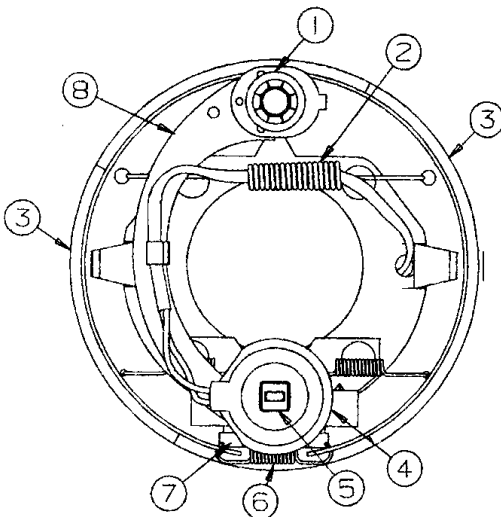
4753A6781 BATTERY MOUNT KIT 3100 SERIES

① 4755-666	BATTERY TRAY	⑤ 1200E1268	BOLT x4
② 4755-175	TRAY BRKT. "RIGHT"	⑥ 1201E6038	LOCKNUT x4
③ 4755-176	TRAY BRKT. "LEFT"	⑦ 4751-4811	15 AMP CIRCUIT BREAKER
④ 4738A0898	BOLT x4	⑧ 4749A5531	WIRE HARNESS W/CIRCUIT BREAKER
		⑨ 4746-4338	CAUTION DECAL (NOT SHOWN)



ELECTRIC BRAKE PKG. - 4714H2011

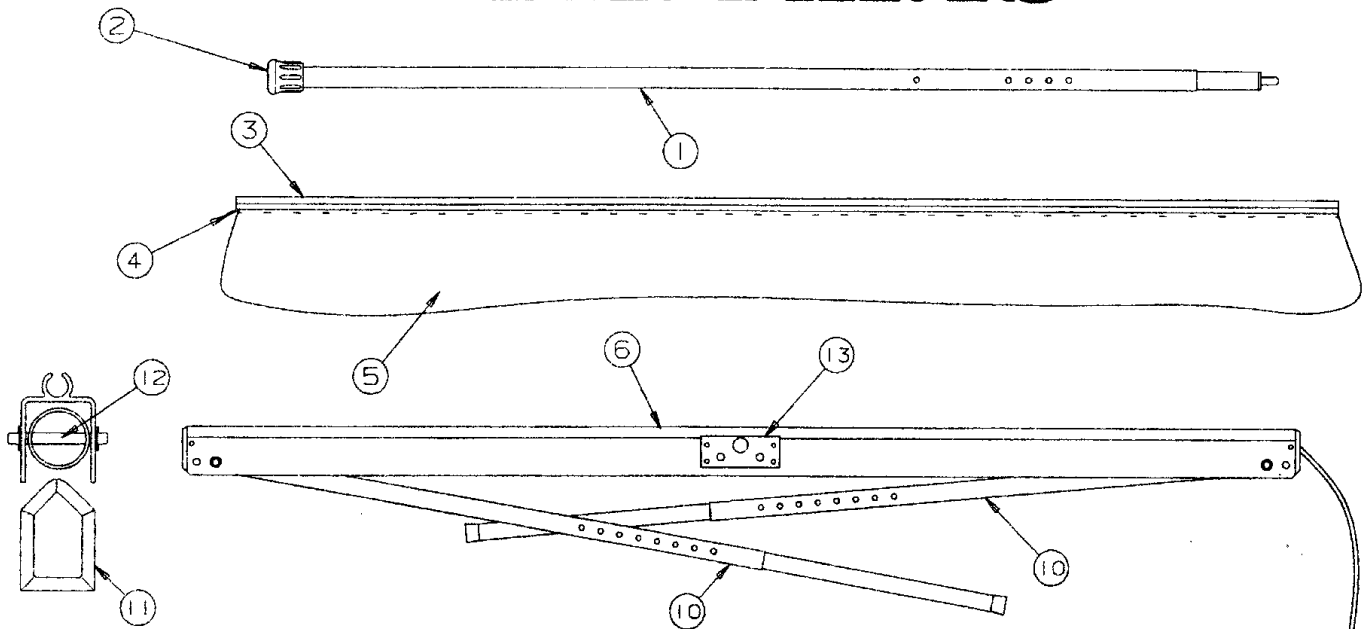
① 4733A3521	BRAKE ASSY. (RT.HAND)
4733A3531	BRAKE ASSY. (LT.HAND)
② 4714A2201	GREASE SEAL x2 M4
③ 4716-1101	BEARING & RACE PKG.
④ 4716A1071	HUB & DRUM ASSY. x2
⑤ 4747A9528	LUG NUT x10
⑥ 4714-3068	SPINDLE NUT x2
⑦ 1204-1268	COTTER PIN x2
⑧ 4714B0621	DUST CAP x2 M4



ELECTRIC BRAKE COMPONENTS

① 4714A2461	ANCHOR POST CLIP M2
② 4714A2411	RETRACTOR SPRING
③ 4714B2071	BRAKE SHOES (SET)
④ 4714D2451	MAGNET, SPRING & CLIP PKG.
⑤ 4714B2471	RETAINER CLIP M2
⑥ 4714A2101	ADJUSTING SCREW SPRING
⑦ 4714A2041	ADJUSTING SCREW
⑧ 4714A2841	RT. & LT.LEVER ARM PKG.
⑨ 4714B2421	MAGNET HOUSING SPRING

REPAIR PARTS



3100 SERIES SELF-STORING CANOPIES

- 4724E7571 CANOPY 8' 3170,75
- 4747E6561 CANOPY 10' 3142,88,89,96
- 4752A5941 CANOPY 12' 3194,92,95,41,86,50

SELF-STORING CANOPY COMPONENT PARTS

① 4723B5291	RAFTER POLE ASSEMBLY M3	⑦ 8460A1431	POLY ROPE 10 1/2' PC. PER PKG.
4734-6708	SPRING ASSEMBLY	⑧ 4724B3931	ROPE ADJUSTOR (WOOD)
8470-1728	BLACK PIN M10	⑨ 4724-2558	12" HOOK STAKE (PLASTIC)
② 4751-8191	CRUTCH CAP M3	⑩ 4737F5971	POLE ASSEMBLY x2
③ 4064700489F	PVC VINYL SEAL (SOLD/FOOT)	8470-1748	RED CAP x2
④ 6650500130F	CHAIN ZIPPER (SOLD/YARD)	4734-6708	SPRING CLIP x2
1225-4461	ZIPPER PULL M5	⑪ 4737B4258	END CAP x2
⑤ 4714A3821	CANOPY BAG 8'	4737-3208	TEK SCREW x2
4714A3831	CANOPY BAG 10'	⑫ 4720A2361	ROD & PAL NUTS
4714-B251	CANOPY BAG 12'	1201B7071	PAL NUT M6
⑥ 4749A2271	CANOPY SUPPORT 8'	⑬ 4748A8201	REINFORCEMENT PLATE (12' ONLY)
4747B9841	CANOPY SUPPORT 10'	4737-3208	TEK SCREW x4
4752A8251	CANOPY SUPPORT 12'		

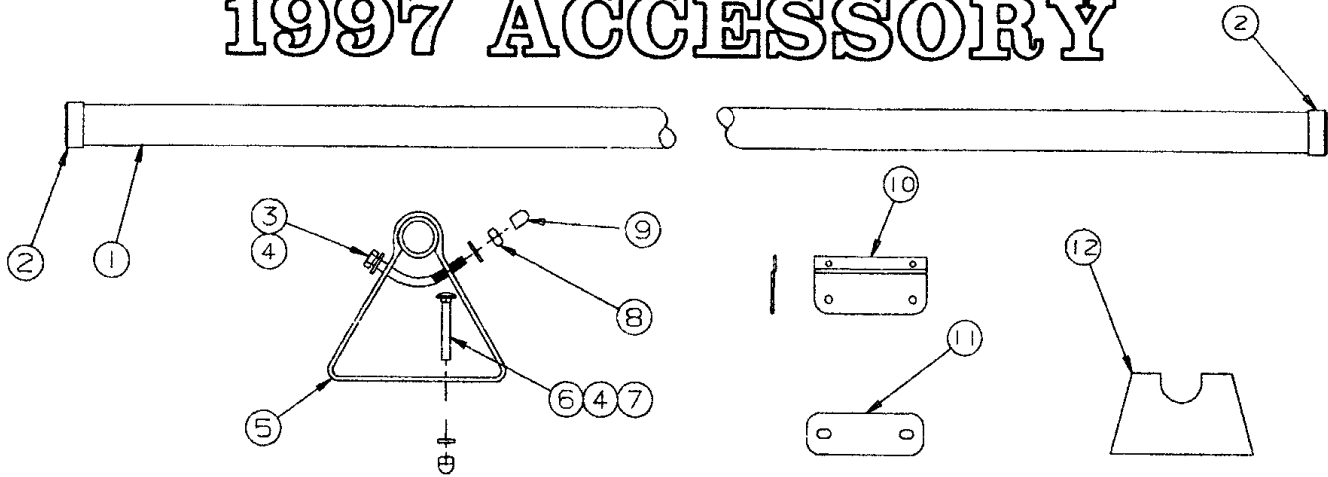
3100 SERIES SCREEN ROOMS

- 4747G6551 SCREEN ROOM 8' 3170,75
- 4747G6571 SCREEN ROOM 10' 3142,3196
- 4750D2921 SCREEN ROOM 10' 3188,89
- 4752B5921 SCREEN ROOM 12' 3186,3192,3194
- 4728N5601 SCREEN ROOM 12' 3141,3195
- 4752-6471 SCREEN ROOM 12' 3150

SCREEN ROOM COMPONENT PARTS

① 4724A2558	10" HOOK STAKE (PLASTIC)
② 4720D4021	LASHING HOOK M6
③ 4733-4138	TEK SCREW
④ 4350000005F	VELCRO HOOK ADHESIVE BACK (SOLD/YARD)
⑤ 6650500130F	ZIPPER (ENTRANCE ZIPPER) SOLD/YARD
1225A4188	LONG DOUBLE ZIPPER PULL
⑥ 4724-7941	SCREEN ROOM BAG
4060000045F	1/4" HEAVY DUTY SHOCK CORD
4724-2011	SHOCK CORD CLAMP M10
1226-1228	#3 BRASS GROMMET W/TEETH
4716-073	"S" HOOK
⑦ 4753A8631	VELSTICK HOOK 1" x 16" BLACK

1997 ACCESSORY

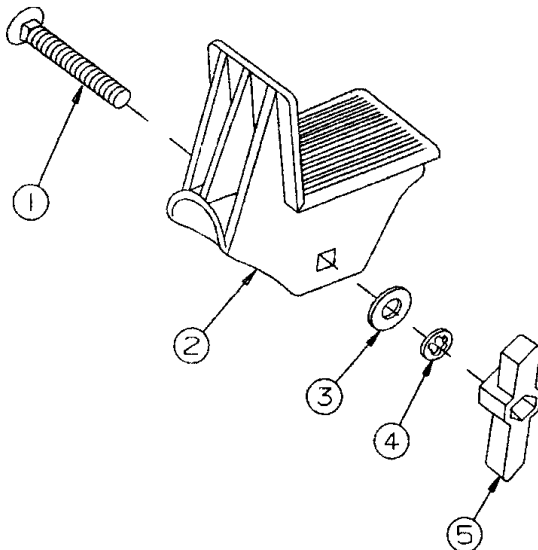


4742B9071 DOUBLE CROSSBAR KIT (ALL ABS TOPS)
 4714C9071 HARDWARE PKG. (ALL ABS TOPS)
 NOTE: INCLUDES ITEMS MARKED WITH (*)

4742A9091 DOUBLE CROSSBAR KIT (3170,75)
 4714B9091 HARDWARE PKG. (3170,75)
 NOTE: INCLUDES ITEMS MARKED WITH (◊)

CROSSBAR KITS COMPONENT PARTS

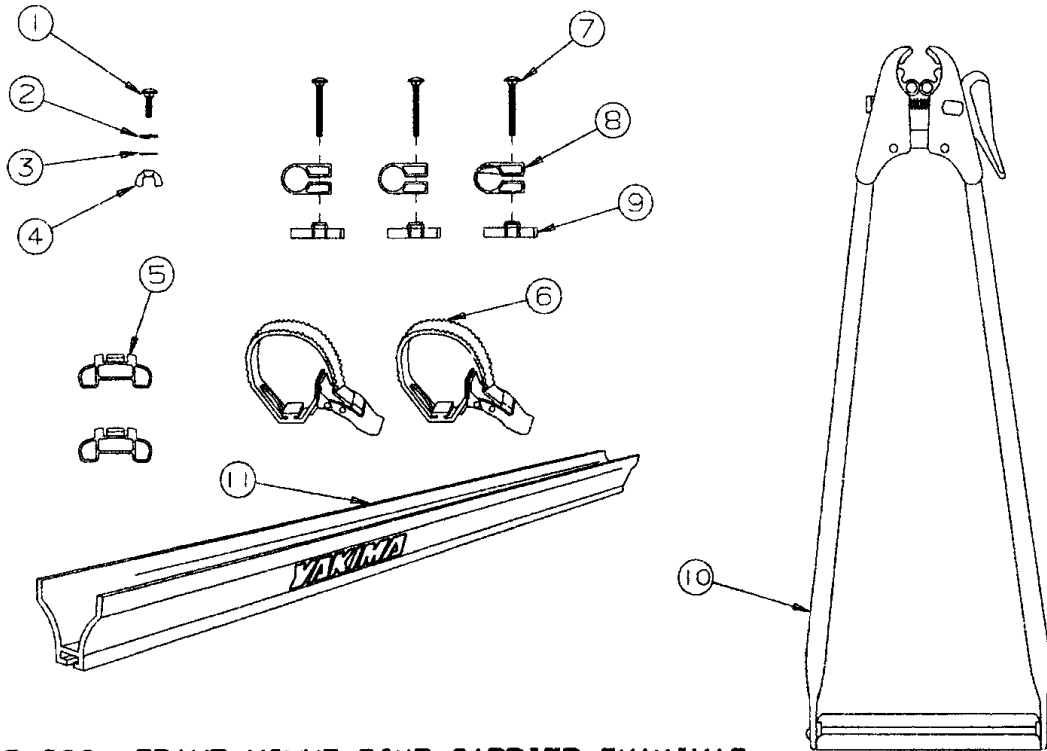
- ① 4753-3701 CROSSBAR x2 84" (ALL)
- ② 4743-3391 CROSSBAR END CAP x2 "YAKIMA"
- ③ 4750A9838*◊ BENT BOLT x4 (ALL)
- ④ 1202E0408*◊ WASHER x16 (ALL)
- ⑤ 4742A9151 CROSSBAR RISER x4 (3170,75)
 4753-3681 CROSSBAR RISER x4 (ALL ABS TOPS)
 435000059F 2" TACKY TAPE 18" REQUIRED SOLD/FT.
- ⑥ 1200E2068 ◊ 1/4"x1 1/2" CARRIAGE BOLT x8 (3170,75)
 1200-2181 * 1/4"x2 1/4" CARRIAGE BLOT x8 M4 (ALL ABS TOPS)
- ⑦ 4752E2888*◊ ACORN NUT x8 (ALL)
- ⑧ 1201E6378*◊ LOCKNUT x4 (ALL)
- ⑨ 4755-0338*◊ VINYL CAP x4 (ALL)
- ⑩ 4742-9191 OFFSET MOUNTING PLATE x4 (3170,75)
 1203-8651 RIVET M25
- ⑪ 4753-3671 * MOUNTING PLATE x4 (ALL ABS TOPS)
- ⑫ 4753-3761 CROSSBAR PAD x2 (ALL ABS TOPS)



4742-9021 BOAT MOUNTING BRACKETS "YAKII"

- ① 4716Y2271 CARRIAGE BOLT 5/16" x 2 1/4"
- ② GUNWALE BRACKETS - NOT SOLD SEPARATELY
 (MUST ORDER COMPLETE PACKAGE - 4742-9021)
- ③ 4716Y2421 FLAT WASHER 5/16"
- ④ 4716Y2411 LOCK WASHER 5/16"
- ⑤ 4716Y2291 HEX KEY 5/16"

REPAIR PARTS

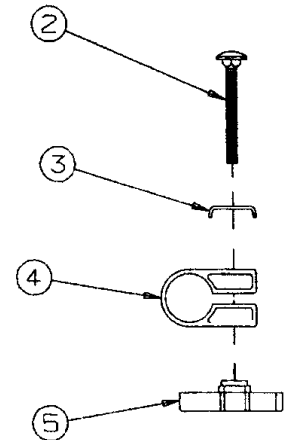


4742-9001 FRAME MOUNT BIKE CARRIER "YAKIMA"

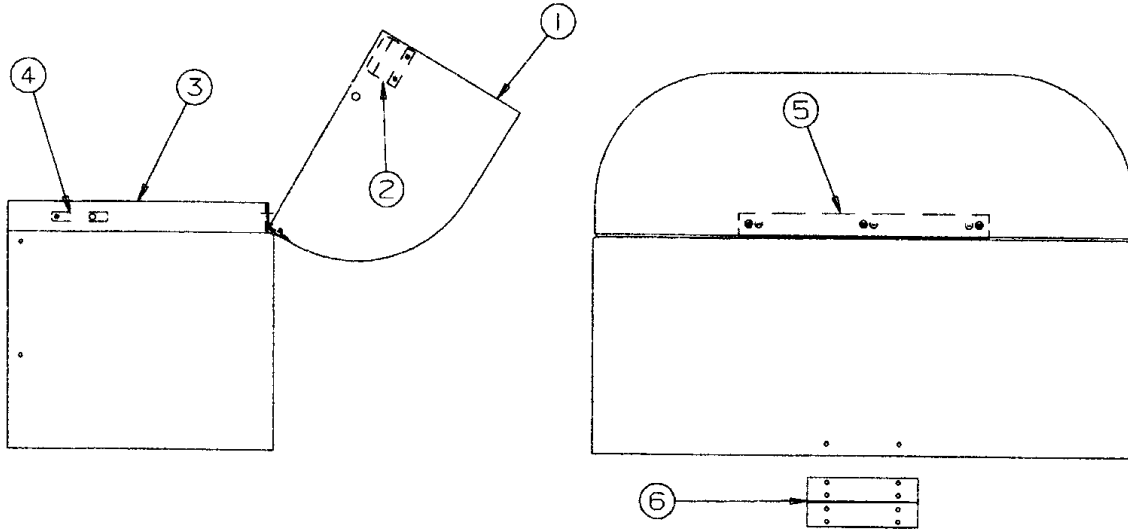
① 4716Y225I	CARRIAGE BOLT 5/16" x 1"	⑦ 4716Y227I	CARRIAGE BOLT 5/16" x 2 1/4"
② 4716Y241I	LOCK WASHER 5/16"	⑧ 4743-428I	SNAP AROUND M2
③ 4716Y242I	FLAT WASHER 5/16"	⑨ 4716Y229I	HEX KEY 5/16"
④ 4716Y226I	WING NUT 5/16"	⑩ 4716Y244I	HOOP AND BASE PLATE
⑤ 4716Y232I	RIM ADAPTER M2	⑪ 4716Y243I	52" WHEEL TRAY
⑥ 4716Y231I	WHEEL STRAP x2		

4742-9031 CARGO BASKET "YAKIMA"

①	CARGO BASKET - NOT SOLD SEPARATELY (MUST ORDER COMPLETE PACKAGE - 4742-9031)
②	4716Y227I CARRIAGE BOLT 5/16" x 2 1/4"
③	4716Y245I ANCOR CLIP
④	4743-428I SNAP AROUND M2
⑤	4716Y229I HEX KEY 5/16"



1997 ACCESSORY

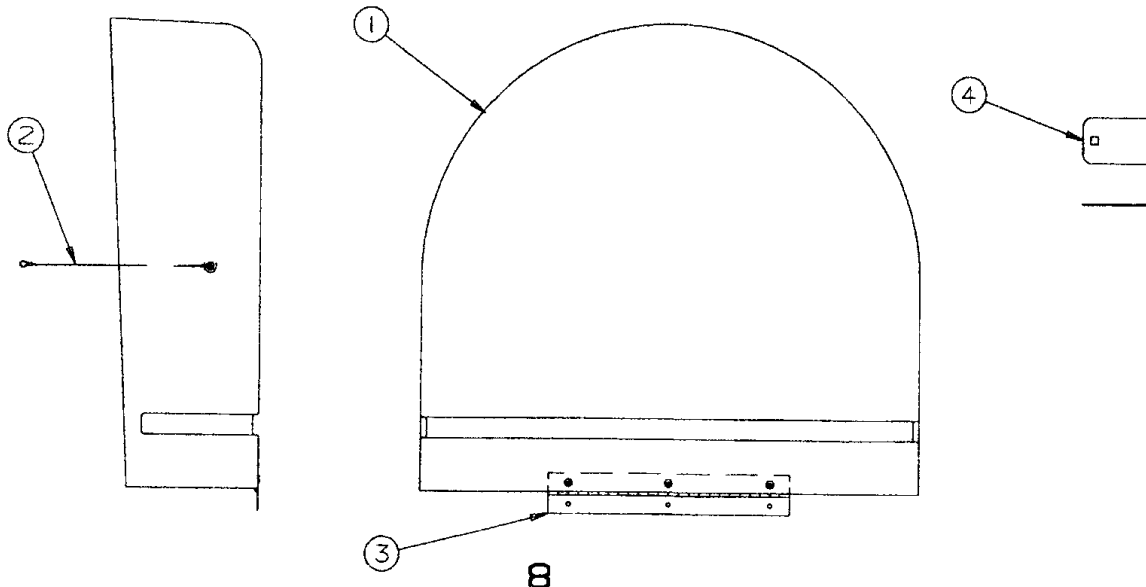


4749H1341 MOLDED GAS BOTTLE COVER "GRAND TOUR"
 4716C1341 HARDWARE PARTS PACKAGE
 NOTE: INCLUDE ITEMS MARKED W/ASTERISK *

① 4753-4571	FLIP DOWN LID	⑤ 4753-8311	LID HINGE
② * 4747A9471	KEEPER BRACKET	4733D0601	RIVET M25
* 4747-2558	EXPANSION RIVET M25	⑥ * 4753-455	SHROUD BRACKET
③ 4753-4561	GAS BOTTLE SHROUD	* 4733D0601	RIVET M25
④ 4753-8671	SNAP BUTTON		
4741A9861	RIVET M25		

4753-6771 SPARE TIRE COVER "GRAND TOUR"
 4716-6771 HARDWARE PARTS PACKAGE
 NOTE: INCLUDE ITEMS MARKED W/ASTERISK *

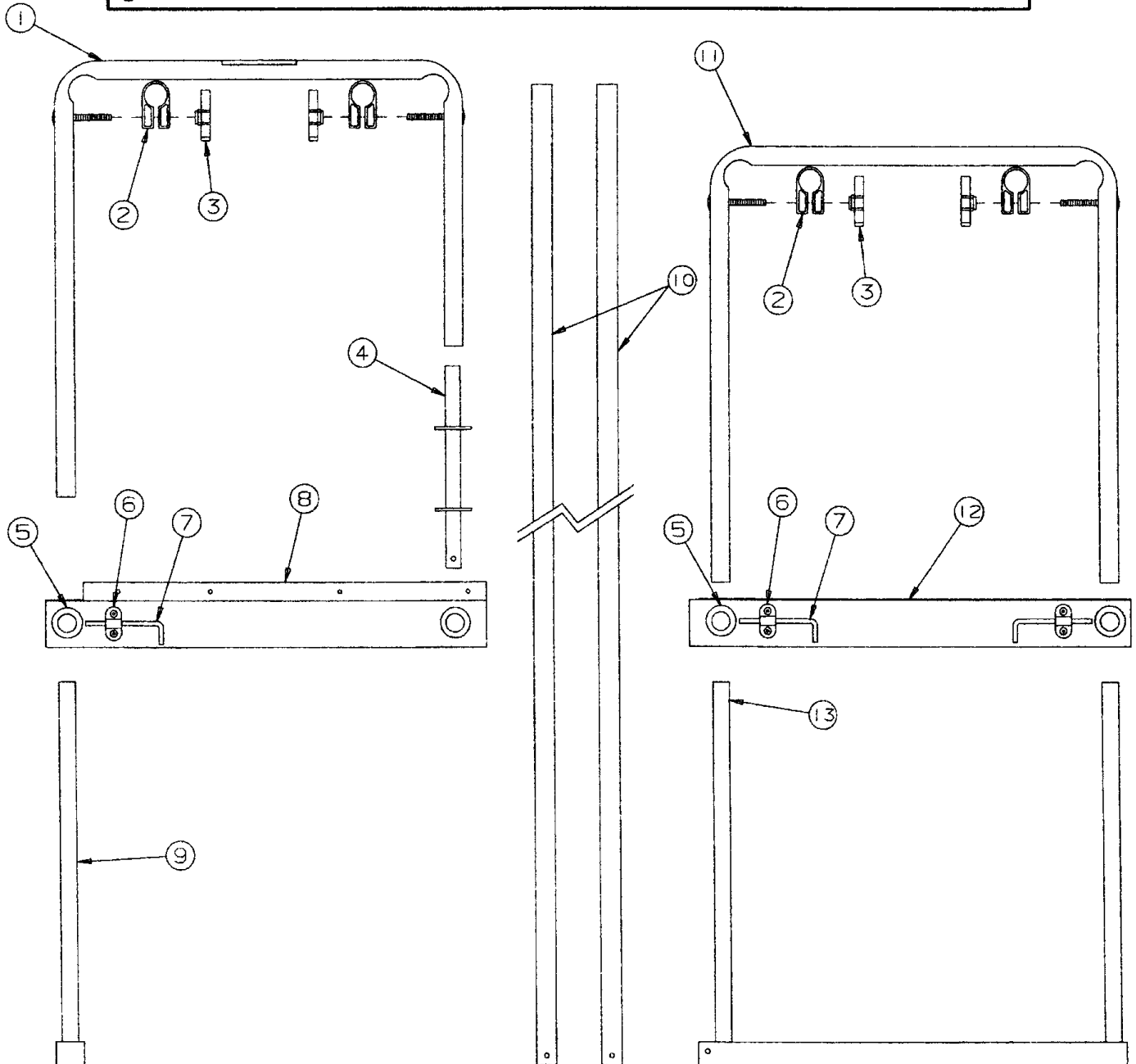
① 4753A3661	SPARE TIRE COVER	④ * 4753-3651	KEEPER BRACKET
② 4753A804	CABLE	* 4732-1181	GROMMET x1 M4
1202E0408	WASHER x1	* 1121C1618	SCREW x1
4741D96568	EXPANSION RIVET M25	* 4741B9658	EXPANSION RIVET x3 M25
③ 4753-8031	HINGE	* 1202B0268	WASHER x1
4733D0601	RIVET M25		



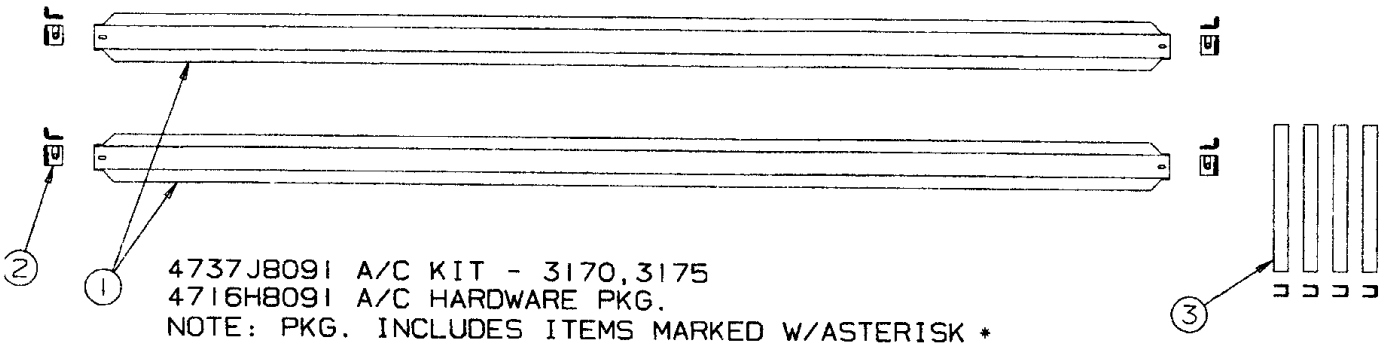
REPAIR PARTS

4753-3381 BUNK BED - 3141 KEYWEST

① 4755-6821	BUNK BED BAR ASSY.CSF	⑧ 4755A1811	TRIM CAP CSF
② 4743-4281	SNAP AROUND M2 x4	⑨ 4755-670	LOWER SUPPORT CSF
③ 4716Y2291	HEX KEY 5/16" x4	⑩ 4755-1931	BUNK BED CROSS BAR x2 (74")
④ 4755A6681	INSERT LEG	4755-6711	BUNK BED COT (NOT SHOWN)
⑤ 4755-1661	GROMMET 1 1/2"	⑪ 4755-6831	BUNK BED BAR ASSY.CSR
⑥ 4755-167	ELM BKT. x3	⑫ 4755A1821	TRIM CAP CSR
4734E1861	ELM RIVET M25	⑬ 4755-669	LOWER SUPPORT CSR
⑦ 4755-1861	L-PIN x3		



1997 ACCESSORY

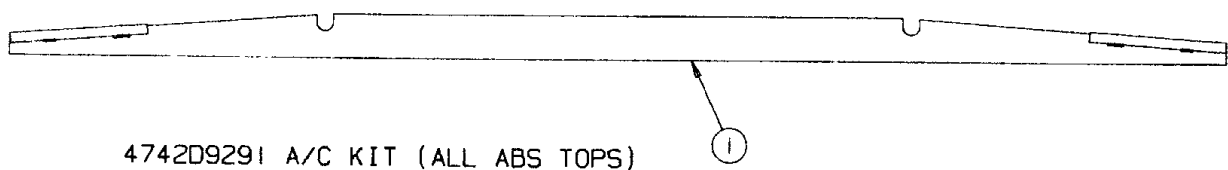
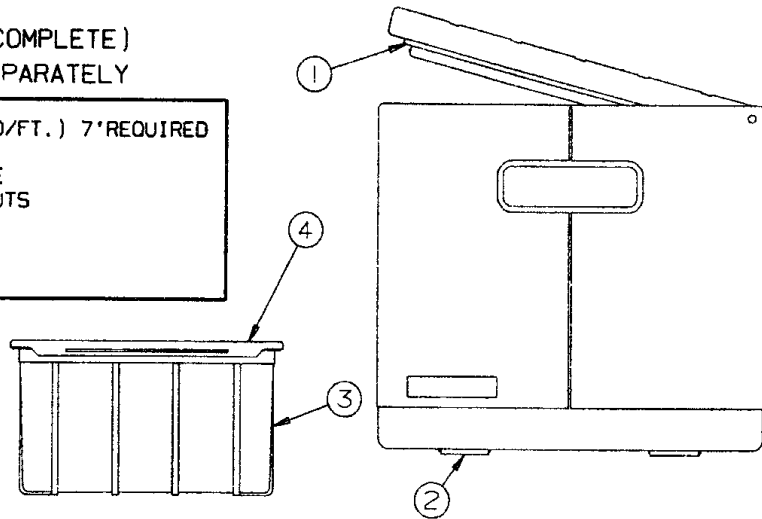


4737J8091 A/C KIT - 3170,3175
 4716H8091 A/C HARDWARE PKG.
 NOTE: PKG. INCLUDES ITEMS MARKED W/ASTERISK *

①	4747A8901	ROOF BRACE x2	④	4748-6591	POWER CORD (NOT SHOWN)
*	1212-0128	GROMMET x1	*	4739-4158	NYLON CLAMP x3
*	4744-3118	GROMMET x4	*	4741C9368	SCREW x3
	435000022F	FOAM TAPE (SOLD/FOOT)	*	1202B2698	WASHER x1
②	* 4747A6951	MOUNTING BRACKET x4	*	4723-3378	VELCRO STRAP x1
*	4746B0538	MACHINE SCREW x4 - 1/4" x 1 1/2"	*	4744A1301	SHEAR PIN x1 M10
*	4747-2328	SEALING WASHER x4 (RUBBER)	*	4741B9658	EXPANSION RIVET x9 M25
*	4749A1098	WASHER x4 "ARCTIC WHITE"	*	4741-4971	DIMPLED BUMPER x2 M6
*	4747A1118	BOLT x4 - 1/4" x 1"	*	4752-244	A/C DECAL
③	* 4749A2121	CHANNEL EXTRUSION x4 M4	*	4752-245	TOP TRIM
			*	4716-0911	PUTTY TAPE (5' PACKAGED)
			*	4350000295F	DOUBLE STICK TAPE
			*	4350000058F	FOAM TAPE 6"

4753-5741 COOLER ASSEMBLY (COMPLETE)
 NOTE: COOLER LID NOT SOLD SEPARATELY

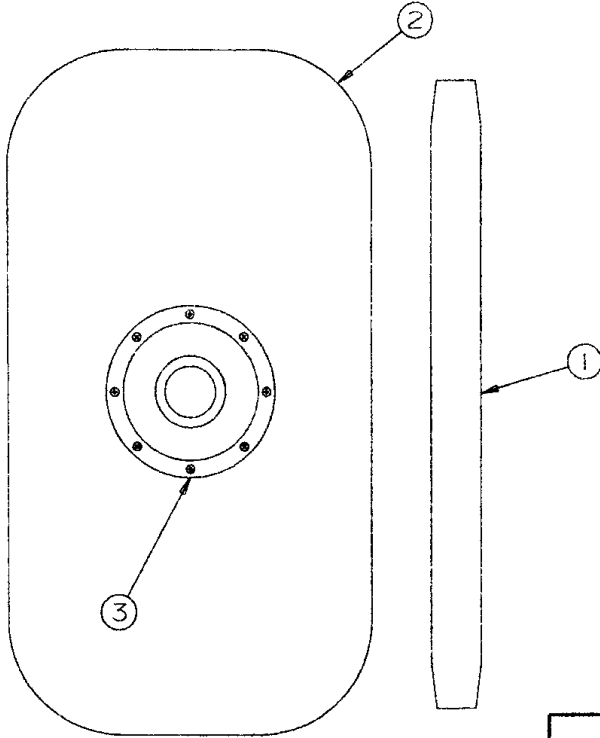
①	4060000403F	1/4" FOAM GASKET (SOLD/FT.) 7'REQUIRED
②	4752-4891	COOLER WHEEL x4
	4730C1281	ROD & PAL NUTS PACKAGE
		PKG. CONSIST OF (1)ROD & (2)PAL NUTS
	1201B7071	PAL NUT M6
③	4753-0851	ICE TUB W/OUT LID
④	4753-0861	ICE TUB LID



4742D9291 A/C KIT (ALL ABS TOPS)

①	4755A5951	A\C BRACE W/RIVETS	③	4748-6591	POWER CORD
	1203C8721	RIVET x4 M25		4739-4158	NYLON CLAMP x4
	4744B8598	HOLE PLUG "WHITE" x4		1203C8751	RIVET x5 M25
	4755-172	WOOD STRIP		4723-3378	VELCRO STRAP x1
②	1212-0128	PLASTIC GROMMET x1	④	4752-244	CAUTION DECAL
			⑤	4716-0911	GREY PUTTY TAPE (5' PACKAGE)

REPAIR PARTS



4753-6901 - PEDESTAL TABLE COMPONENTS

- | | | |
|---|-------------|---------------------------|
| ① | 4746-8201 | PEDESTAL LEG |
| ② | 4746A8141 | TABLE TOP |
| | 4060500084F | T-MOLDING (SOLD/FOOT) |
| ③ | 4746-8211 | STANDARD BASE |
| | 1114B1018 | SCREW x8 |
| | 4746-8191 | RECESSED MOUNT |
| | 4753-8901 | RECESSED MOUNT HOLE COVER |

4753A6901 - PORTABLE TABLE COMPONENTS

- | | | |
|---|-------------|----------------------|
| ① | 4754-6871 | TABLE LEG ASSY. |
| ② | 4720C3928 | END CAP x4 |
| ③ | 4754-4771 | TABLE TOP |
| ④ | 4060600081F | T-MOLDING (SOLD/FT.) |
| ⑤ | 4749-9648 | GRIPPER CLIP x4 |
| | 4737-8471 | SCREW M2 |

