

1996 GRANITOUR
RIFLEPAIR PARTS series

3042 YUKON

3082 LARAMIE

3090 SHENANDOAH

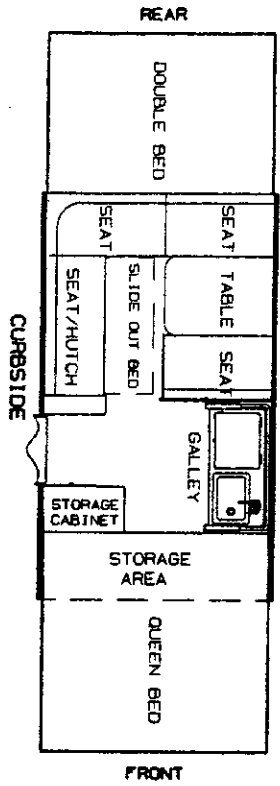
3092 SUN VALLEY

3095 NIAGARA

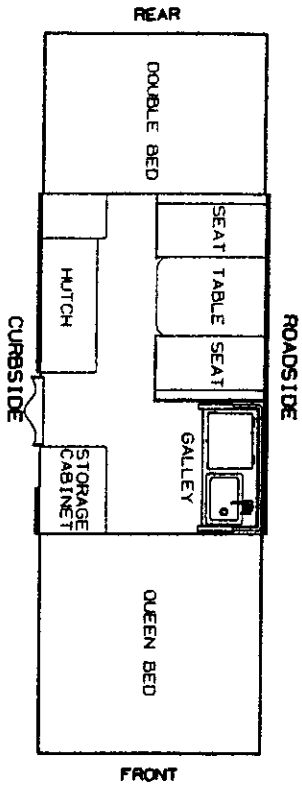
3041 KEY WEST

BY **FLEETWOOD.**

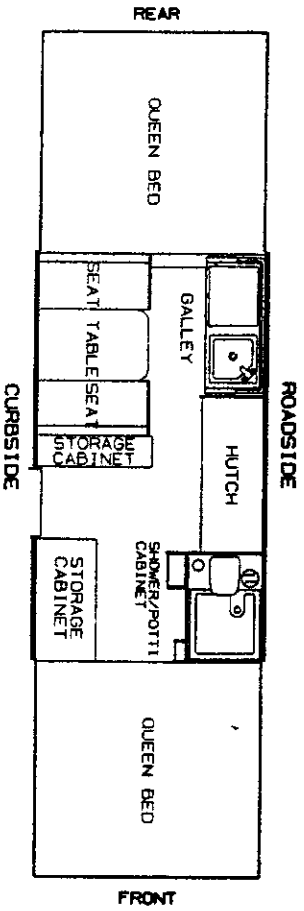
3042 YUKON



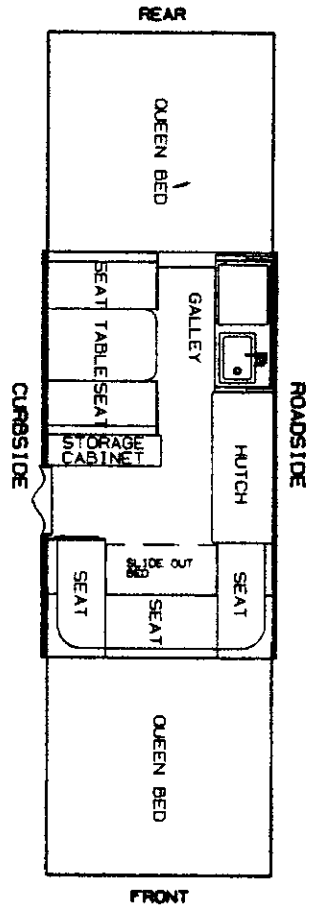
3082 LARAMIE



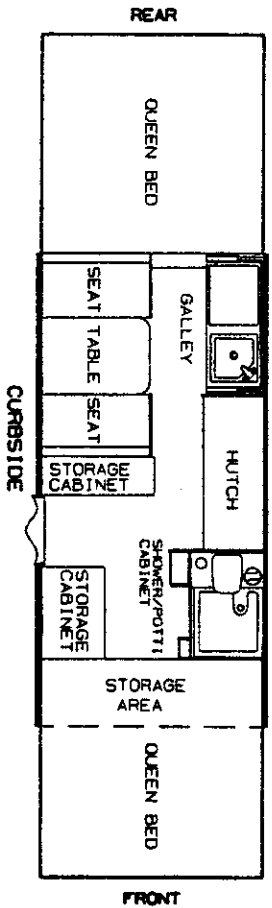
3090 SHENANDOAH



3092 SUN VALLEY



3095 NIAGARA



3041 KEY WEST

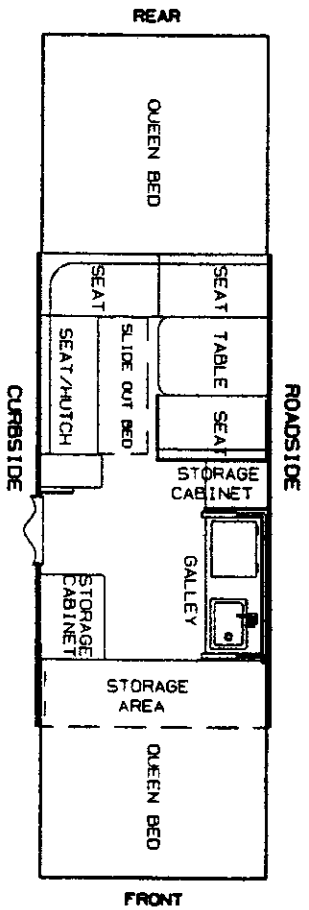
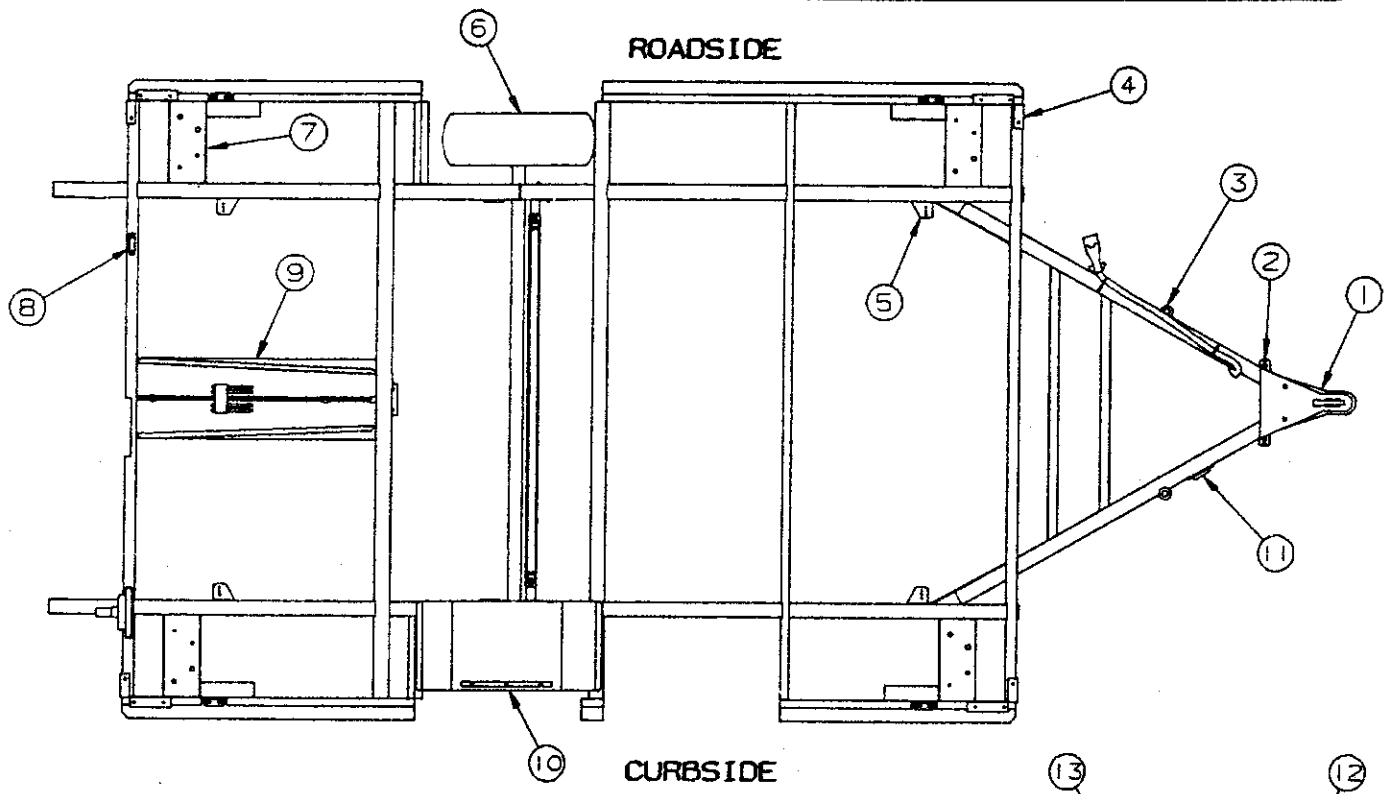


TABLE OF CONTENTS

Access door bulkheads, frt/rear	5	Receptacles (ground fault)	29
Access door assembly & related parts	14	Refrigerator, vented door (outside)	15
Axle assembly & related parts	8	Regulator & fittings (gas bottle hook up)	36
Backrest assemblies & covers	40	Safety chains	36
Battery box (plastic) 3095	4	Screen door & jamb assembly	30, 31
Battery cables (black & red) 3095	4	Seat fronts & related parts	28
Bed assemblies & related parts	32	Shower stall 3090, 3095	21
Bed extensions & related parts	33	Shower curtain, 3090, 3095	40
Bench/pullout bed 3092	27	Shower head & hose	21
Body panel right front curbside	13	Sink (upper galley assy)	16, 18
Body panel left side (roadside)	15	Spare tire mount package	36
Body panel right rear curbside	12	Stabilizer crank handle	14
Body panel rear assy & related parts	10	Stabilizer assembly	2, 4
Body panel front assy & related parts	10	Storage box compartment, 3041,42,95	11
Bumper assembly & related parts	10	Storage box front wall & related parts	28
Cabinet assembly (rs center) 3041	27	Stove (upper galley assemblies)	16, 18
Cabinet assembly (corner cabinet)	24, 25, 26	Sunbrella tent assemblies & related parts	41
Cabinet assembly (cs center) 3090,92,95	22	T-Molding (upper galley tops)	16, 18
Cassette potti cabinet 3090, 3095	21	Table assemblies & related parts	29
Caulking	34	Taillights	10
City water fill	15	Tent support poles & related parts	33
Converters & related parts	29	Thrust nut	7
Cooler, Versacool & related parts	34	Tiebacks (drapes)	40
Corner bulkhead assembly	2, 4	Tire & rim	2, 4
Coupler assembly	2, 4	Tongue jack & related parts	3
Crank & sprocket assembly	3	Top assemblies & related parts	42, 43
Crank handle	14	Top latch	12, 13
Cushion assemblies & covers	40	Trim tape	12, 13, 14, 15
Drain spout (sink drain)	15	Upper galley assemblies & related parts	16, 18
Drain hose (used on sink assy)	16, 18	Upper galley lift bar & related parts	16, 18
Drape packages	40	Valance package	40
Dressing room curtain 3090, 3095	40	Water pump & related parts	16, 17, 18
Electric brakes & related parts	9	Water system & related parts	38, 39
Electric water pump	39	Water heater door, 3090, 3095	15
Electric brake package	9	Water heater 3090, 3095	39
Faucet assembly (upper galley assy)	16	Water tank	38, 39
Fire extinguisher	22, 23	Wheel well assembly	2
Fire extinguisher strap	22, 23	Whiffletree & related parts	7
Floor covering (6610707225)		Wire harness (trailer front)	2
Frame assembly & related parts	2, 4	Zipper (Sunbrella tent assembly)	41
Gas lines & related parts (outside stove)	37		
Gas bottle & related parts	37		
Gas hose (gas bottle)	36		
Hub assembly & related parts	8		
Hutch assembly 3090, 3092, 3095	20		
Hutch assembly 3082	22		
Hutch/bench 3041, 3042	23		
Hydraulic system & related parts 3095	4, 26		
Keys	36		
Lift trim & miter covers	13		
Lift assemblies & related parts	6		
Lower galley assy's & related parts			
Lower galley assembly 3090, 92, 95	17		
Lower galley assembly 3041, 42, 82	19		
Mattress assemblies & covers	33		
Outside Receptacle	12		
Outside Stove & related parts	35		
Paint (spray & quart can)	34		
Paneling & trim	5		
Parts package & related parts	36		
Pigtail (car end)	2, 36		
Power cord (converter)	29		
Prop rod (used on hatch doors)	15, 19		

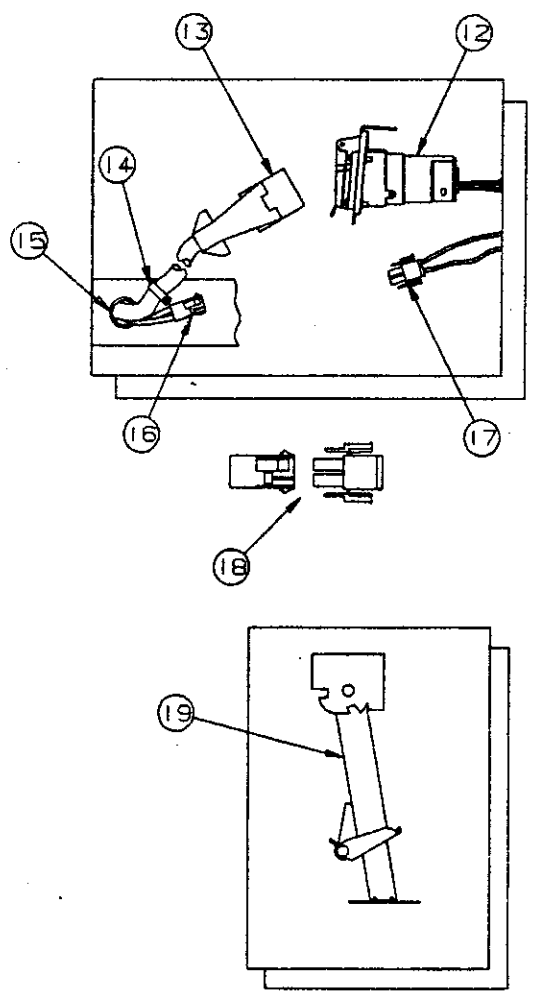
Refrigerator - NORCOLD 800/543-1219
 Furnaces - Salt Lake City, UT 800/873-4328
 Canada 800/831-7531
 Range - Greenbrier, TN 800/646-8557
 Water Heaters - Rockford, IL 800/825-4328
 Hardware - Rockford, IL 800/825-4328

1996 GRAND TOUR SERIES



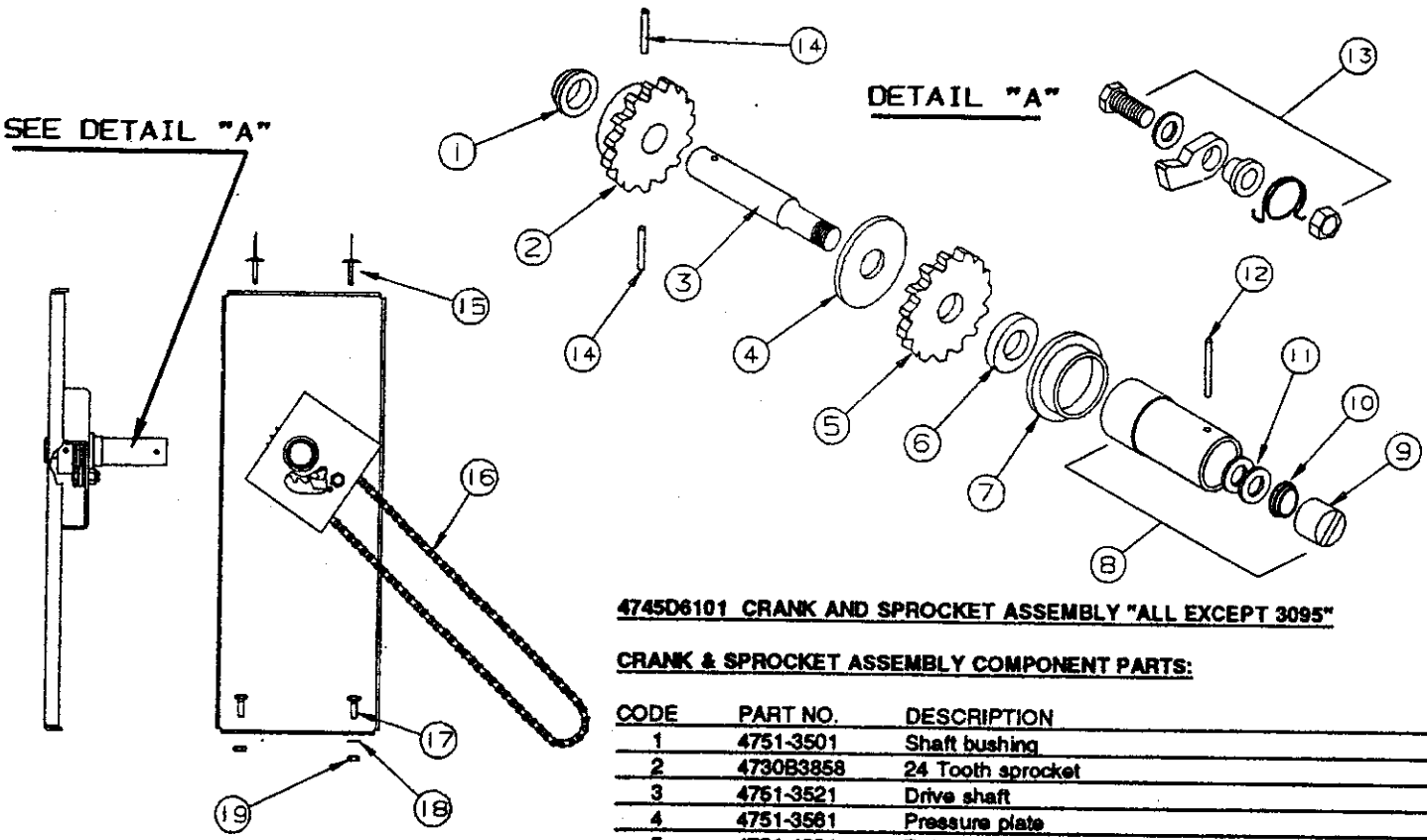
MAIN FRAME ASSEMBLY COMPONENT PARTS (ALL EXCEPT 3095)

CODE	PART NO.	DESCRIPTION
1	4742-2001	2" Coupler assembly
	4714A2211	2" Coupler repair kit
2	4748-6611	Chain bar w/pins (3082, 3090, 3092)
	4720A3561	Chain bar (3041, 3042)
3	4747-8941	Pin cover, M2 (plastic) (3041, 3042)
4	4754-6101	Corner bulkhead left front/right rear (all)
	4754-6111	Corner bulkhead right front/left rear (all)
	1203C8751	Rivet, M25
5	4732C3678	Adjustable pulley bracket x4
	4715A5371	Pulley & bearing, M10
	4720C1578	Short pin
	1204B1081	Cotter pin, M10
6	4749B8648	Tire & rim 10" Load range "C"
	4753-8168	Tire & rim 13" Spoked Load range "C"
	4741-3268	Valve extension 2"
7	4751A523	Stabilizer support plate - left rear/right front
	4751A524	Stabilizer support plate - left front/right rear
8	4741C5601	Spare tire support
9	4752B4921	Whiffletree pan cover
	4744-050	Hex head tek screw x6
10	4754A0531	Wheel well assembly x2
11	4720A3331	Jack bracket
12	4746-5591	Pigtail (bargman) car end
13	4746-9811	Wire harness (bargman) - CT front
	4742-8961	Braided nylon sleeve
14	1201-8738	Clamp 3/8"
	1203-8968	Aluminum rivet M25
15	4742-8108	1 1/4" Snap bushing
16	4716-5001	12 Volt power harness
17	4749A5531	12 Volt wire harness (connects to battery)
18	4716-4701	12 Volt cap & plug
19	4720D0731	Stabilizer assembly x4
	4739-2298	Nut (2 per stabilizer)



REPAIR PARTS

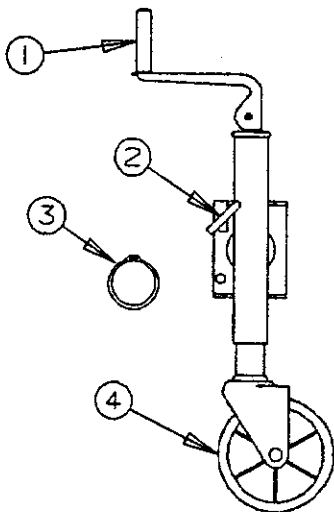
SEE DETAIL "A"



4745D6101 CRANK AND SPROCKET ASSEMBLY "ALL EXCEPT 3095"

CRANK & SPROCKET ASSEMBLY COMPONENT PARTS:

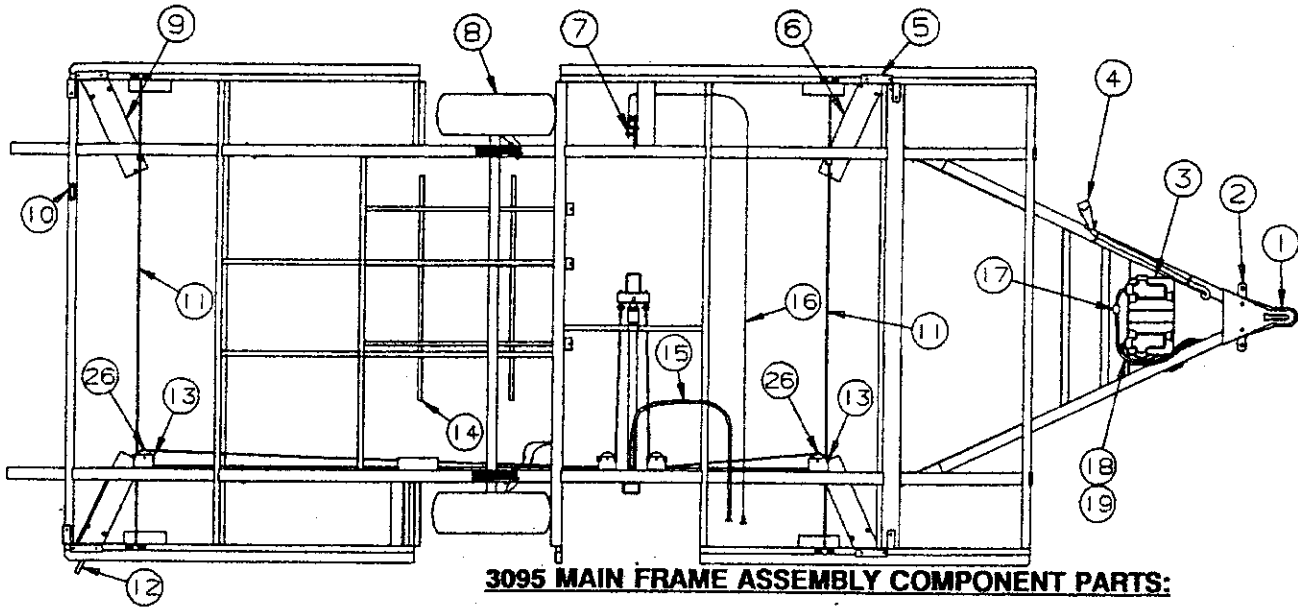
CODE	PART NO.	DESCRIPTION
1	4751-3501	Shaft bushing
2	4730B3858	24 Tooth sprocket
3	4751-3521	Drive shaft
4	4751-3561	Pressure plate
5	4751-4831	Ratchet wheel
6	4751-3581	Pressure washer
7	4751-3591	Shaft bushing
8	4751-6511	Drive hub extension pkg.
NOTE: Package includes parts marked w/asterisk (*).		
9	* 4751-3551	Slotted nut
10	* 4752-3921	Handle spring
NOTE: Handle spring used x2 on trailers produced after 11/15/95		
11	4752-3931	Washer (used on trailers prior to 11/15/95)
	4752-3941	Washer (used on trailers prior to 11/15/95)
	* 4751A4671	Washer x1 (used on trailers after 11/15/95)
12	* 4747A9451	Spiral roll pin, M6
13	4716-1221	Ratchet pawl package
14	4720D1481	Roll pin x1, M10
	4744A1301	Shear pin x1, M10
15	1203C8721	Rivet x2, M25
16	4751A3941	Chain (includes connecting link)
	4730A3811	Connecting link
	4714-0351	Half link
17	4731-3878	Hex head bolt x2
18	1202B0438	Washer
19	1201B6038	Hex nut x2



Tongue Jack Assembly, 4720B6661

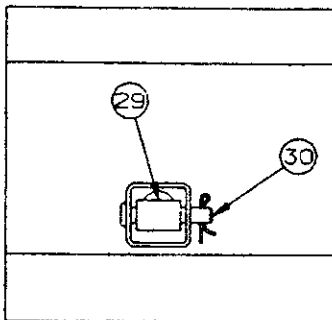
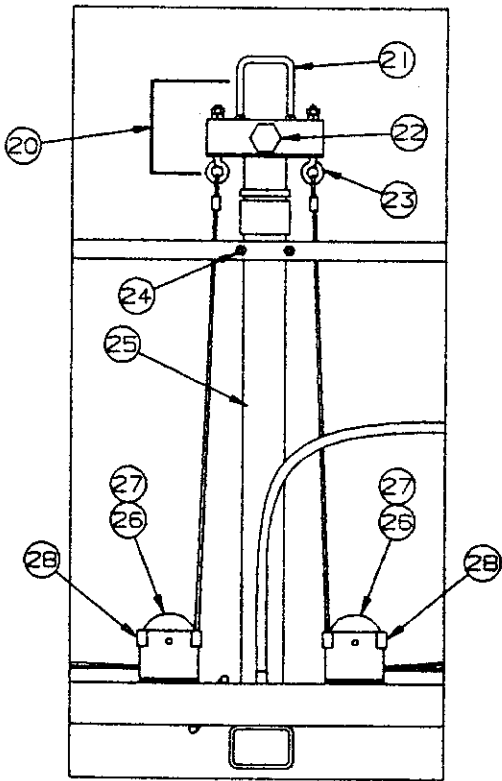
CODE	PART NO.	DESCRIPTION
1	4714-2821	Jack handle kit, M2
2	4714-2818	Locking plunger kit
3	4720A3341	Snap ring
4	4716-6661	Jack wheel, nut & bolt

1996 GRAND TOUR SERIES



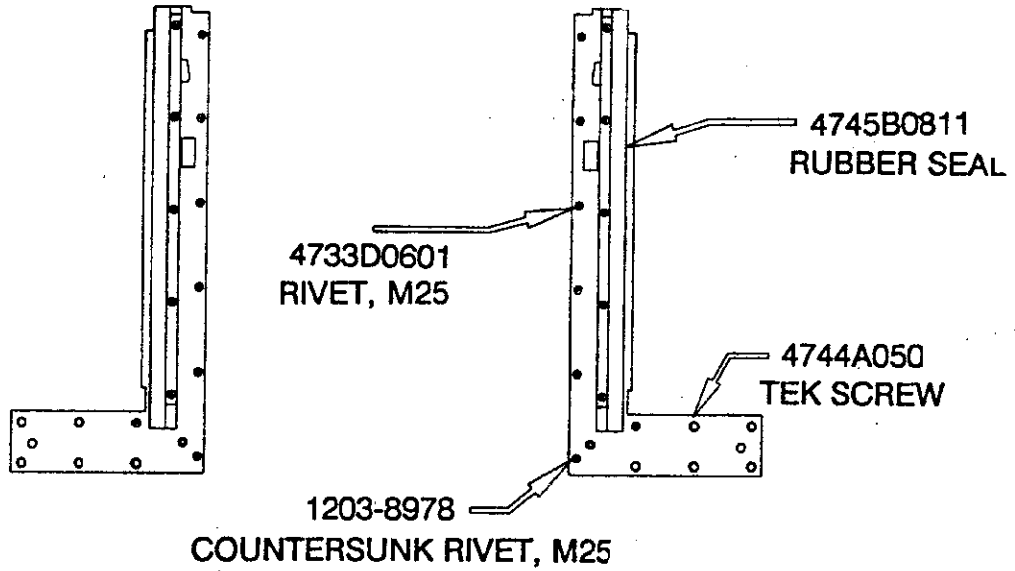
3095 MAIN FRAME ASSEMBLY COMPONENT PARTS:

CODE	PART NO.	DESCRIPTION
1	4742-2001	2" Coupler assembly
	4714A2211	2" Coupler repair kit
2	4748-6611	Chain bar w/pins
3	4751-8451	Battery box w/straps (plastic)
4	4753-375	Wire harness
5	4754-6101	Corner bulkhead left front/right rear
	4754-6111	Corner bulkhead right front/left rear
	1203C8751	Rivet, M25
6	4751B565	Stabilizer support left front/right rear
7	4751-6981	Gravity latch
	1203-8968	Aluminum rivet x4, M25
	4751A8441	Gravity latch spring
	4751-4758	Latch screw w/hole
	1201B6958	Nut
8	4753-8168	Tire & rim 13" spoked - Load range "C"
9	4751B564	Stabilizer support right front/left rear
10	4741C5601	Spare tire support
11	4751-6391	Lift cable assembly & crimp M2
12	4751A3351	Stabilizer (screw down) x4
	4739-2298	Nut x2 per stabilizer
13	4751C601	Pulley bracket
14	4751-6611	Water bottle support bracket
15	4753-8821	Hydraulic hose 38 1/2"
16	4751C8351	Push/pull release cable
17	4751-4781	50 AMP Circuit breaker
18	4755A6021	#6 AWG Black battery cable
19	4755A6031	#6 AWG Red battery cable
20	4752A6461	Hat section & eye bolt assembly
21	4751A8421	Hat section "U" bolt
	1201B5188	Nut x2
22	4751-3398	5/8" x 2 1/4" Bolt
	4751-4408	5/8" Nut
	4751-3388	5/8" Split lock washer
23	4744-44561	Eye bolt M4
	1201B6028	Locknut
24	4751A3851	Cylinder U-Bolt & nuts
25	4751B3361	Hydraulic cylinder
26	4751A5491	5/16" Pulley & bearing M2
27	4720K1561	5/16" Long pin w/cotter pin, M4
28	4751B600	Pulley bracket assembly
29	4751-3431	Nylon spacer, M4
30	4720J1561	1/4" Long pin w/cotter pin, M4



REPAIR PARTS

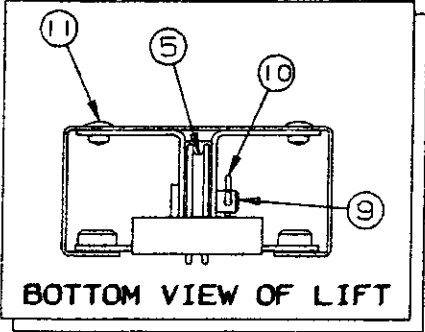
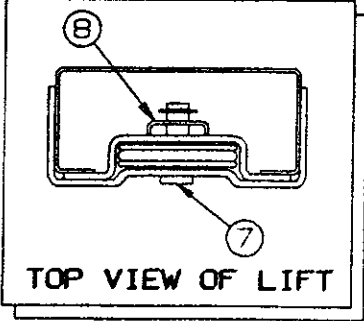
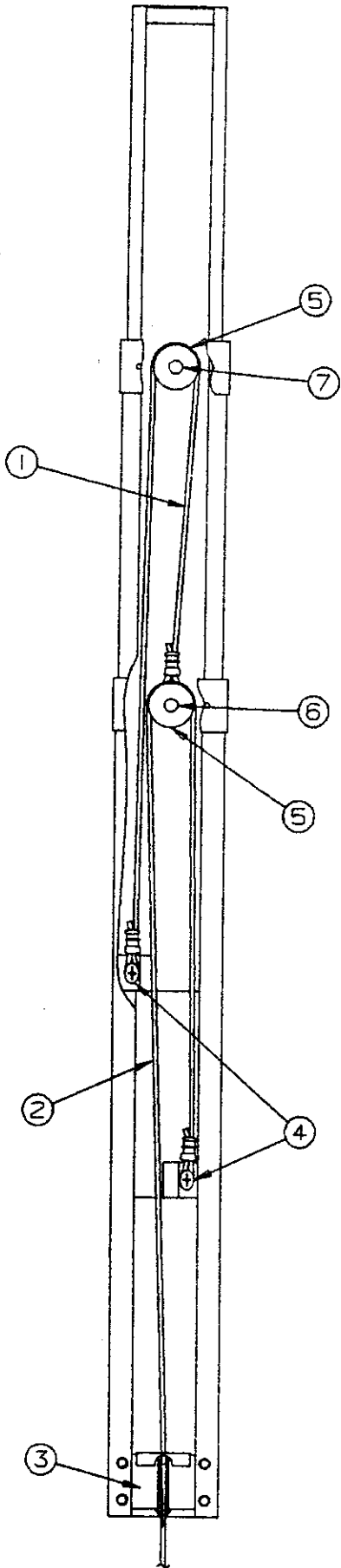
4733K50681
DOOR BULKHEAD FRONT
4733K50581
DOOR BULKHEAD REAR



PANELING AND TRIM

CODE	PART NO.	DESCRIPTION
	4716-1361	Universal wall panel 23 13/16 x 48"
	4716-1321	Universal corner molding M2 (48" pcs. GBO)

1996 GRAND TOUR SERIES



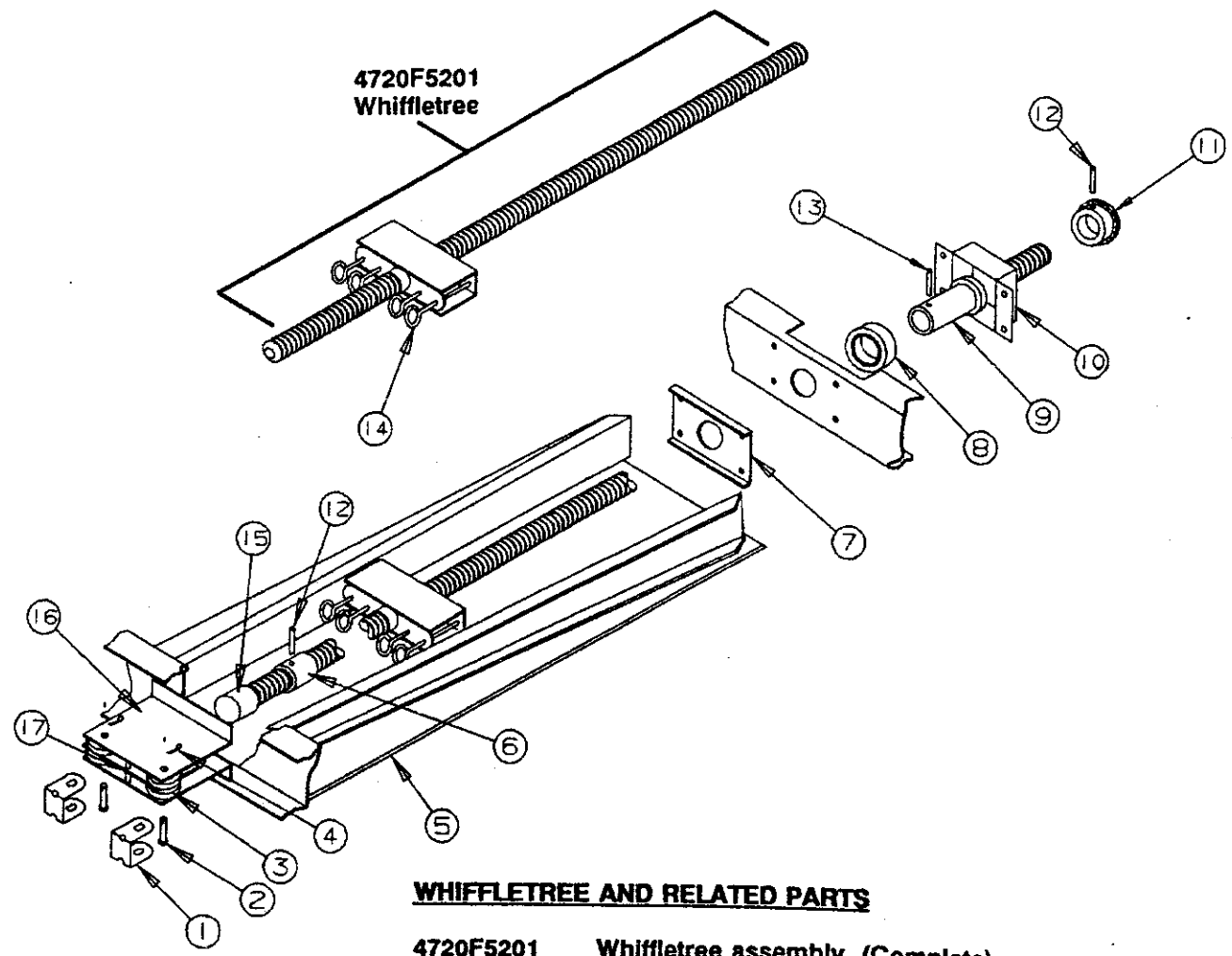
LIFT ASSEMBLIES - (ALL MODELS)

- 4751B6371** - Lift assembly, Roadside Rear/Curbside Front
- 4751B6381** - Lift assembly, Roadside Front/Curbside Rear

LIFT ASSEMBLY COMPONENT PARTS

CODE	PART NO.	DESCRIPTION
1	4720D5271	Cable assembly x1
	4720C1691	Steel cable crimp, M20
2	4753-3391	Stainless steel cable assy x1, M2 (all) (250 inches long) (includes 2 copper cable crimps in pkg)
	4744-1318	Copper cable crimp, M10
3	4731C5801	Butterfly bracket assy
4	4749-2081	Screw x3, M6
5	4715A5371	Steel pulley & bearing x4, M10
6	4747-8931	Long pin, x2
	4730B0981	Retaining ring, M12
7	4749-4061	Pin short x1, M4
	4730B0981	Retaining ring, M12
8	4749A2028	Retaining clip
9	4720C1578	Lift pin x1
10	1204B1081	Cotter pin, M10
11	1203-8641	Rivet x4, M25

REPAIR PARTS



WHIFFLETREE AND RELATED PARTS

4720F5201 Whiffletree assembly, (Complete)

CODE	PART NO.	DESCRIPTION
1	4744A1748	Cable retainer x2
2	4720J1561	Long pin x2, M4
3	4715A5371	Pulley & bearing, x4, M10
4	1204B1081	Cotter pin, x2, M10
5	4752B4921	Whiffletree pan cover
	4744-050	Hex head tek screw x6
6	4710B4248	Bushing
7	4720C2418	Plate
8	4720A2421	Thrust nut bearing
9	4720B2388	Thrust nut
10	4720B2408	Retainer
11	4730B3848	Sprocket (12 tooth)
12	4720D1481	Roll pin, M10
13	4744A1301	Shear pin, M10
14	4744-44561	Screw eye x4, M4
	1201B6028	5/16" Locknut
15	4730D1291	Screw socket x1 (welded to cross channel)
16	4720-1551	Pulley plate
17	4715C5661	Pulley spacer

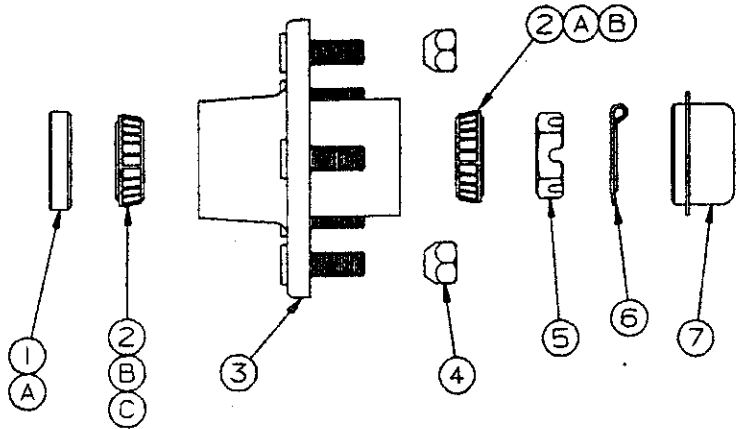
1996 GRAND TOUR SERIES

HUB ASSEMBLY & RELATED PARTS

CODE	PART NO.	DESCRIPTION
1	4714A2201	Grease seal x1, M4
2	4716-1101	Bearing & race pkg
3	4738E0451	Hub w/race & lug nuts
4	4747A9528	Lug nut x5
5	4714-3068	Slotted spindle nut, x1
6	1204-1268	Cotter pin x1
7	4714B0621	Dust cap x1, M4

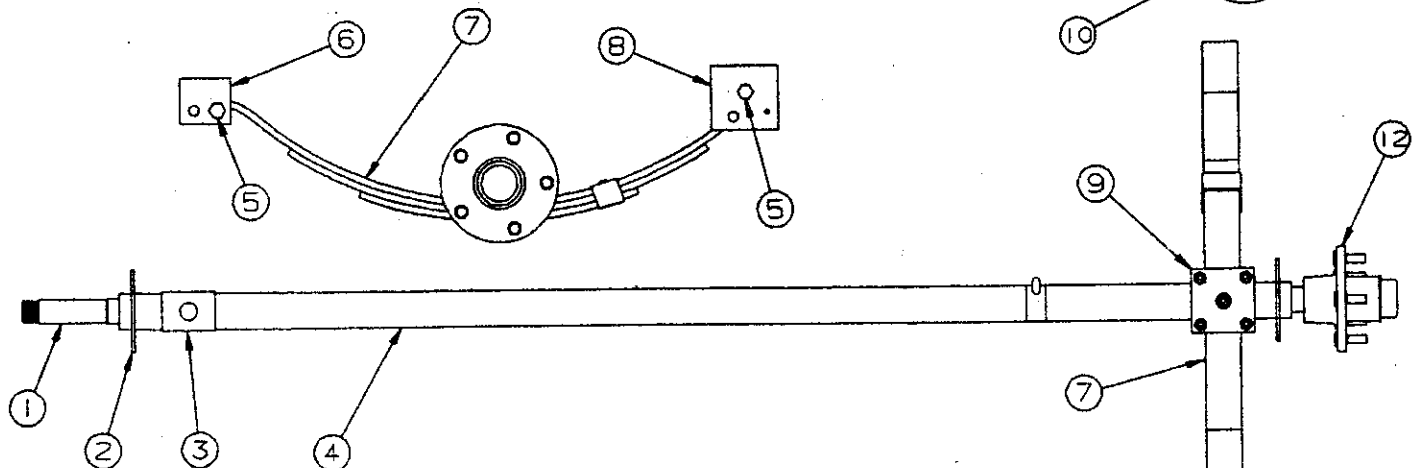
Crossover numbers to purchase locally

CODE	PART NO.	DESCRIPTION
A	13194TB	Grease seal
B	L44649	Bearing
C	L44610	Race



AXLE & SPRING COMPONENTS

CODE	PART NO.	DESCRIPTION
1	4741B8491	Spindle
2	4741A847	Brake mounting plate
3	4741-8461	Spring pad channel, M2
4	4741F6251	Axle beam (4741G6301 axle only)
NOTE: Axle beam not available for 4730P3011 or 4730N3011		
order complete axle assembly		
5	4737A1318	Shackle bolt
	4741-9498	Shackle bolt nut
6	4741A3398	Spring shackle
7	4735D2201	Leaf spring, 3 leaf 1100#, 4741G6301 axle only
8	4741B3398	Spring shackle
9	4741-8458	U-bolt plate
10	4741A8438	U-bolt
11	4741-9358	U-bolt nut
12	4738E0451	Hub w/race & lug nuts



Axle Assemblies (Complete w/leaf springs & hubs)

4741G6301
4730P3011
4730N3011

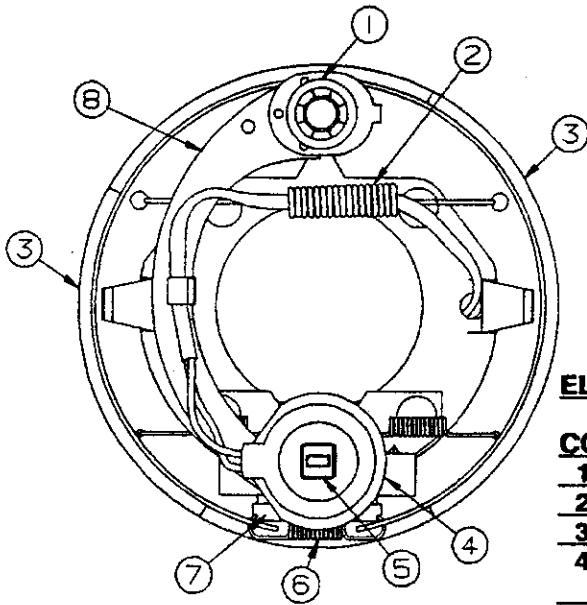
Axle assy, 3 Leaf 2,250#, 3042, 3082, 3090, 3092
Electric brake axle (complete) 3042, 3082, 3090, 3092
Electric brake axle (complete) 3041, 3095

REPAIR PARTS

For Technical Assistance on
Dexter axles and brakes
please write or phone:

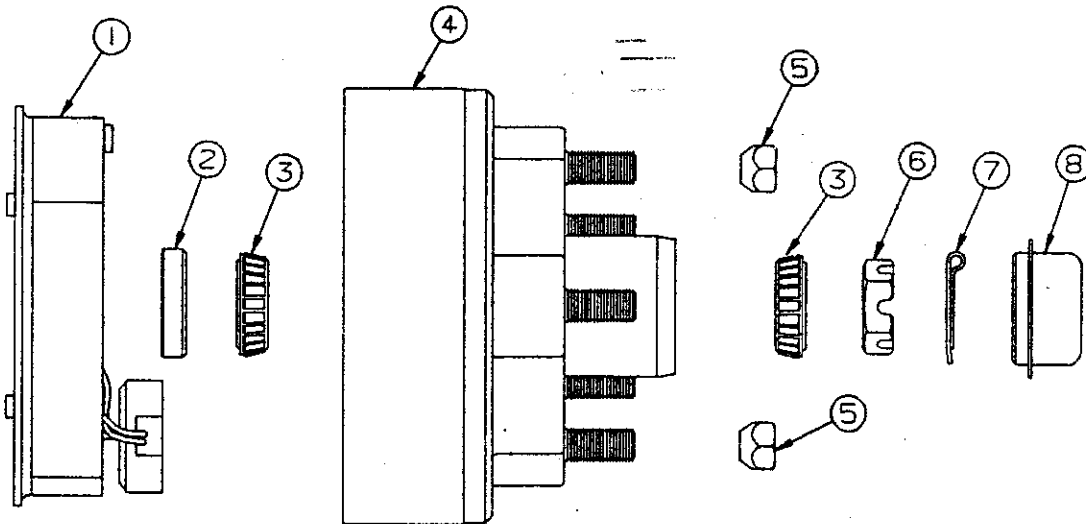
Philips Industries Inc.
Dexter Axle Division
222 Collins Road
Elkhart, Indiana 46516

Phone 219/295-1900



ELECTRIC BRAKE COMPONENTS

CODE	PART NO.	DESCRIPTION
1	4714A2461	Anchor post clip x2, M2
2	4714A2411	Retractor spring
3	4714B2071	Brake shoes (primary & secondary)
4	4714D2451	Magnet package (white wires) (includes: 1 magnet 1 spring & 1 retainer clip)
5	4714B2471	Retainer clip, M2
6	4714A2101	Adjusting screw spring
7	4714A2041	Adjusting screw
8	4714A2841	Actuating lever arm package (includes: Right hand & Left hand arms)
9	4714B2421	Magnet housing spring (not shown)

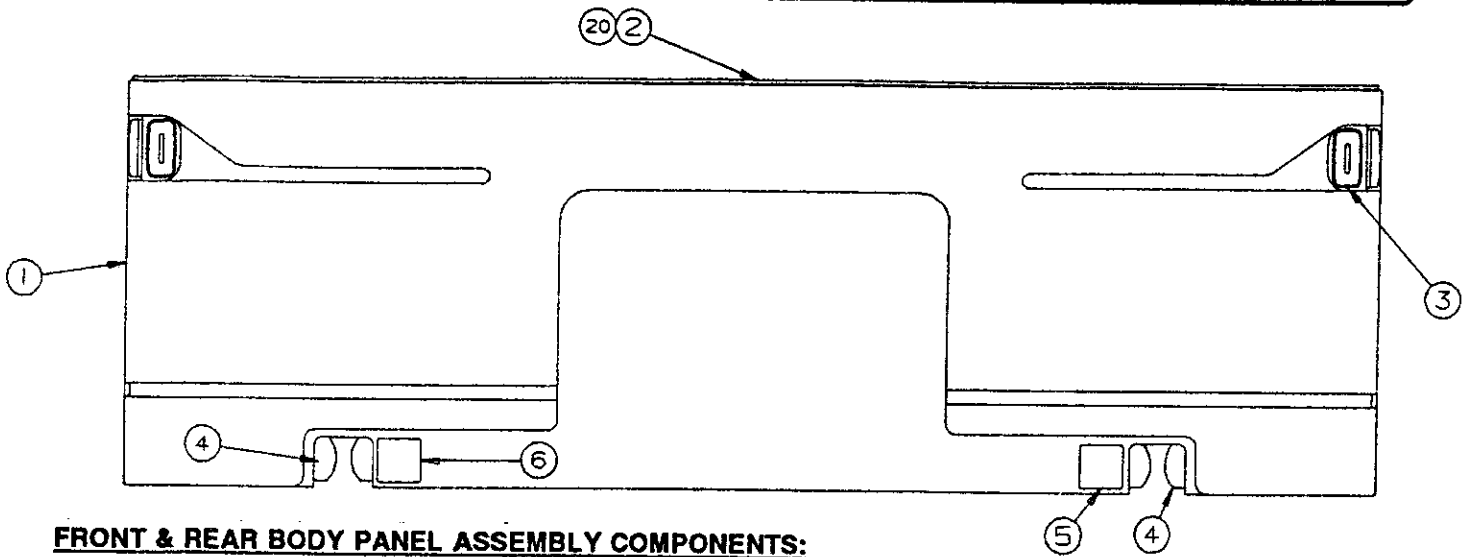


ELECTRIC BRAKE PACKAGE (4714H2011)

NOTE: BRAKE PACKAGE USED ON (3042, 3082, 3090, 3092)

CODE	PART NO.	DESCRIPTION
1	4733A3521	Brake assy (right hand)
	4733A3531	Brake assy (left hand)
2	4714A2201	Grease seal x2, M4
3	4716-1101	Bearing & race package x4
4	4716A1071	Hub & drum assy x2
5	4747A9528	Lug nut x10 (per brake pkg)
6	4714-3068	Spindle nut, (slotted) x2
7	1204-1268	Cotter pin x2
8	4714B0621	Dust cap x2, M4

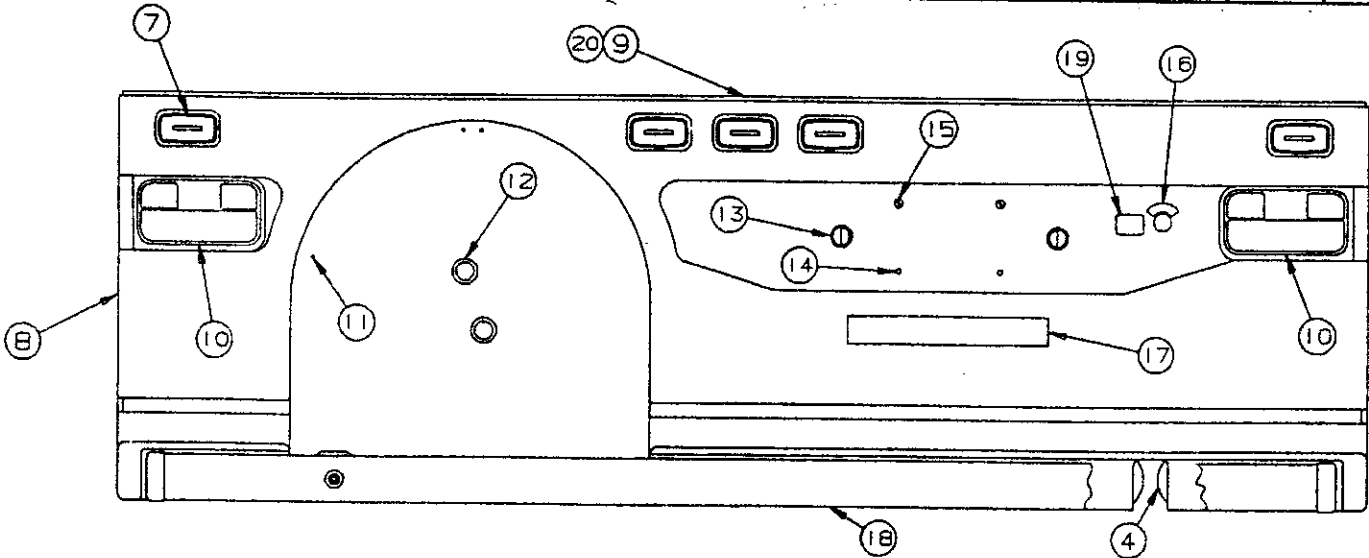
1996 GRAND TOUR SERIES



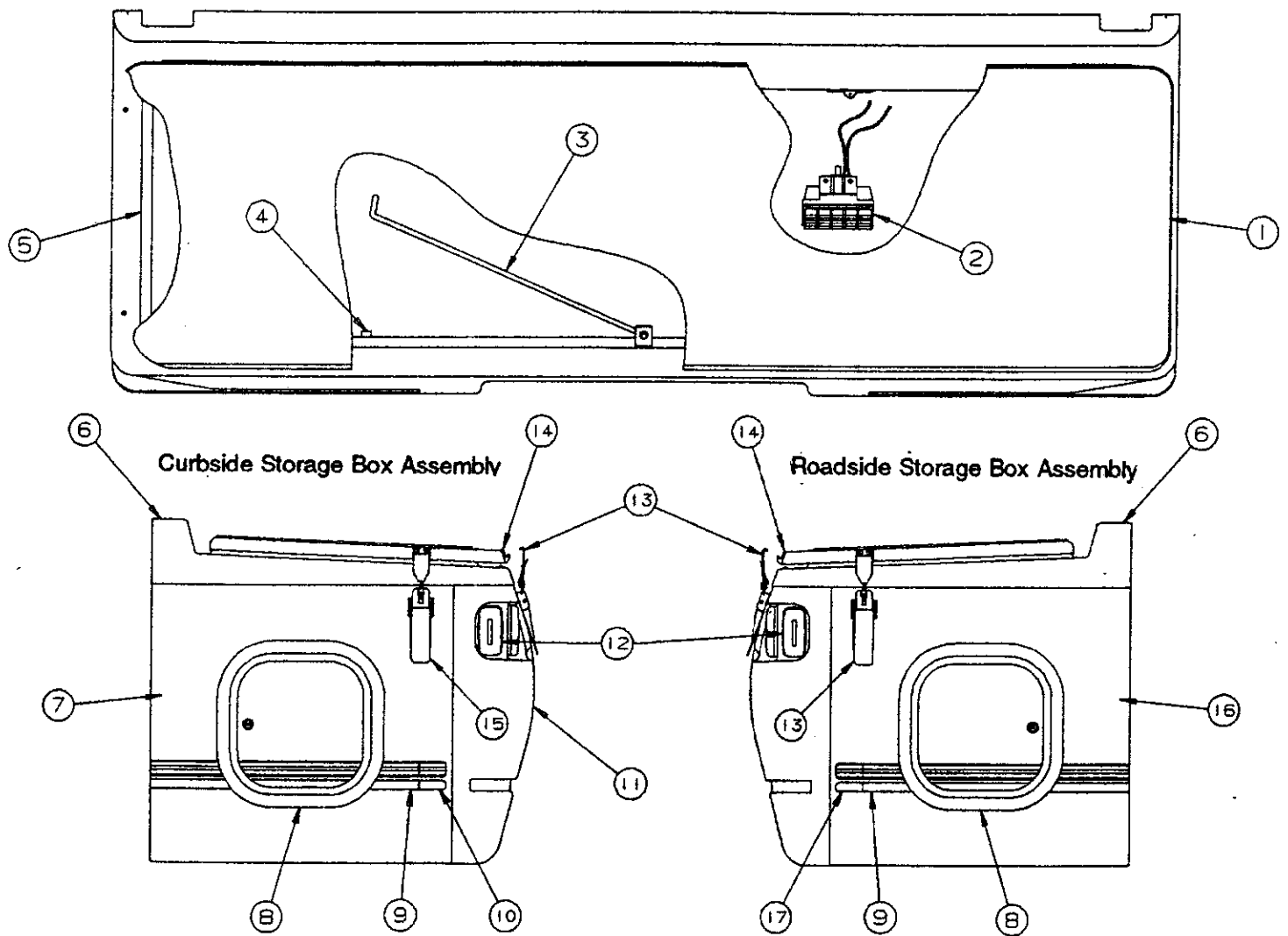
FRONT & REAR BODY PANEL ASSEMBLY COMPONENTS:

NOTE: All panels are shipped less hardware & decals.

CODE	PART NO.	DESCRIPTION
1	4750B8721	Front body panel (all except 3041, 3042, 3095)
NOTE: Refer to Page 11 for 3041, 3042, 3095 front panel		
2	4720N1801	End rail (front) (all)
3	4714H08481	Amber lens & base x4
	4716-4571	Amber lens (only)
	4750A3741	Marker light gasket
	4747-2558	Rivet, M25 (x2 per marker light)
4	4737C4451	Panel gasket
5	4730J2138	Gas decal
6	4742-8598	Gas piping decal
7	4714H08581	Red lens & base
	4716-4561	Red lens (only)
NOTE: Refer to Code #3 for component parts		
8	4750A8731	Rear body panel (all except 3095)
	4750A87381	Rear body panel 3095
9	4720N1791	End rail - rear (all)
10	4749B4321	Taillight
	4716A1061	Taillight lens
	4747-2558	Rivet x4 per light, M25
11	4747-9181	Hole plug 1/4", M4
12	4744B8598	Hole plug x2
13	4739B4311	License plate light x2
14	4737A0728	Black rubber bumper x2
15	4732-1181	Plastic grommet, M4
	1121C1618	License plate screw x2
16	4730H3188	"Open" decal
17	4752B0808	Coleman w/lantern decal
18	4753A2031	Bumper w/out end caps
	4753-2041	Bumper cap (left)
	4753-2051	Bumper cap (right)
	4744D3301	Rivet M25 (to hold cap to bumper)
19	4737E3638	Caution decal
20	4734C1861	Rivet, M25 (to hold panel to rail)



REPAIR PARTS



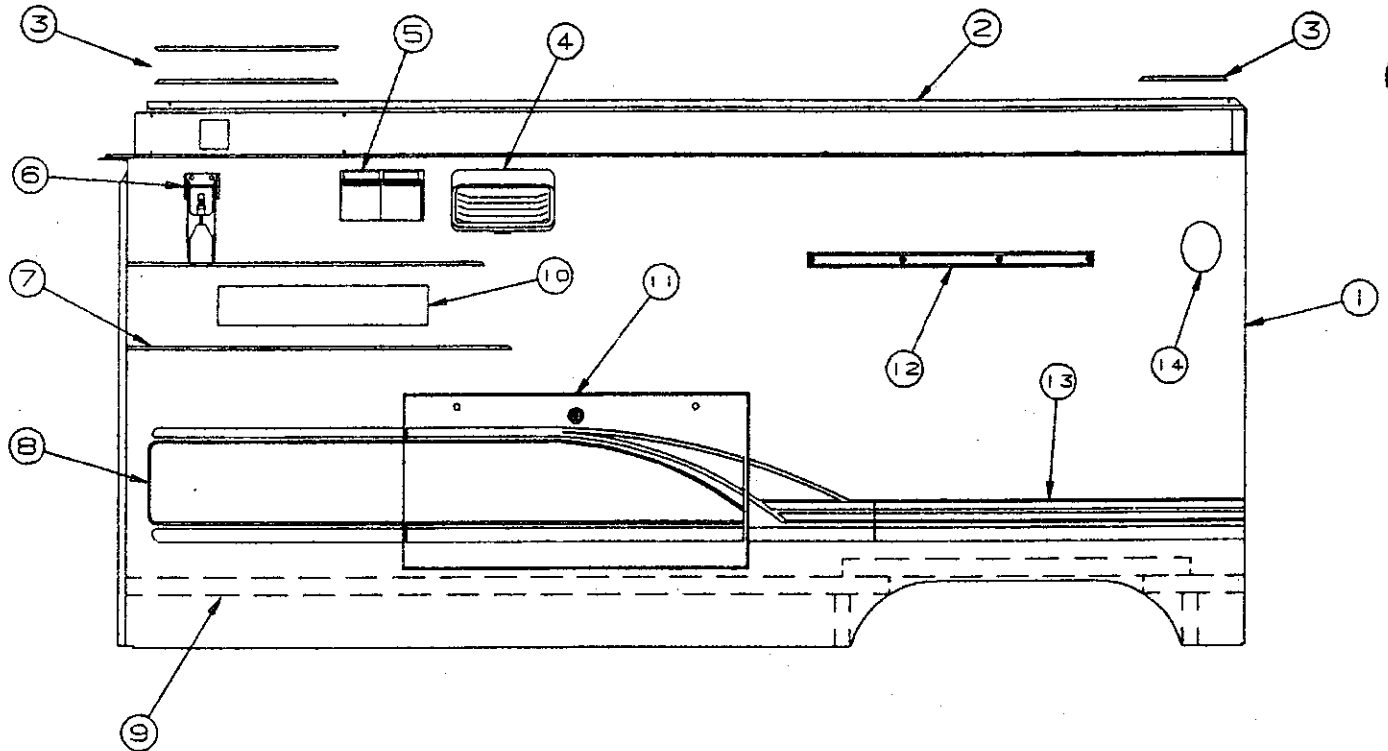
STORAGE COMPARTMENT COMPONENT PARTS - 3041, 3042, 3095

CODE	PART NO.	DESCRIPTION
1	4753-5851	Lid & trunk cap assembly
	4753B1301	Lid hinge
	1017B1018	Machine screw x13
	1201B6928	Kepsnut x13
	4751-1551	Rivet M25
2	4751-0921	Cargo light
	4741D96568	Rivet x2, M25
3	4751A1181	Prop rod
	4751-1208	Push nut cap x1
	4751-1191	Prop rod bracket
	1103S101	Screw x2
4	4720A0721	Cooler clip, M2
	1103S101	Screw x2
5	4060000404F	Deck seal (sold/foot) 18' required
6	* 4752-8941	Trunk cap
	** 4752A8941	Trunk cap
	*** 4752B8941	Trunk cap
	4745-3968	Screw x8
7	4751E0841	Curbside storage box panel
8	4751B0981	Compartment door - less lock
	4751-8301	Lock assembly w/"O" ring
	4730A3211	Key, M10 (Chicago Lock Co., #1396)
	4716-0091	Key, M2 (Illinois #7853)

9	4350001699F	Trim tape (sold/foot)
10	4753-4308	Curbside die cut decal
11	4751B0451	Front ABS panel 3041, 3095
	4753-4871	Front ABS panel 3042
12	4714H08481	Amber lens & base
	4716-4571	Amber lens (only)
	4750A3741	Marker light gasket
	4747-2558	Expansion rivet x2, M25
13	4741C6041	Top latch w/out lock tab x3
	4741-9108	Tek screw x4 (front latch only)
	4744B2468	Stainless steel machine screw x4
	1201B6958	Keps nut x4! (side latch only)
14	4749B1441	Strike x5, M2
	4741D96568	Expansion rivet M25 (x2 per strike)
NOTE: Refer to Code 13 for machine screws & nuts		
16	4752B8841	Roadside storage box panel
17	4753-4318	Roadside die cut decal

* Used on trailers prior to 7/31/95
 ** Used on trailers from 7/31/95 - 11/28/95
 *** Used on trailers after 11/28/95

1996 GRAND TOUR SERIES



CURBSIDE RIGHT REAR BODY PANEL & COMPONENTS:

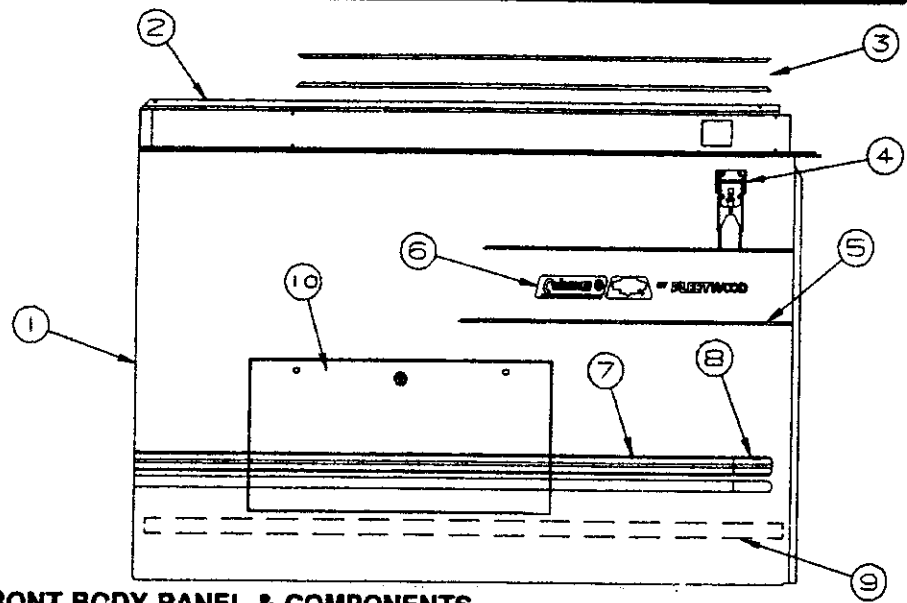
NOTE: All panels are shipped less hardware & decals.

4716H2101 Curbside hardware & trim tape kit

NOTE: Code #10 not included in trim tape kit must order separately

CODE	PART NO.	DESCRIPTION
1	4752A9621	Body panel 3042
	4752A9631	Body panel 3082
	4752A9641	Body panel 3090, 3092
	4753A2321	Body panel 3041, 3095
2	4750E8451	Body rail 3042
	4753A1411	Body rail 3082
	4753A0711	Body rail 3090, 3092
	4753A2351	Body rail 3041, 3095
	4733D0601	Rivet, M25 (arctic white)
	4723A8071	Velcro hook 2" x 2", M4
	4350000005F	3/4" Velcro hook (sold/yard)
	4710-3621	1/8" Roll pin, M10
3	4730B1211	Bed slide 16 3/16", M4
	4737-0738	Bed slide 6 3/16"
4	4752-9921	Porch light
	4716-5511	Porch light lens
	4741-9108	Hex head tek screw
5	4746A3861	Duplex cover & outlet
	4746-3871	Duplex box
	1203-8678	Rivet x4, M25 (rivet box to panel)
	1203-8678	Rivet x4, M25 (rivet box to panel)
6	4741C6041	Top latch (without lock tab)
	4749-4848	Foam pad
	4741-8218	Hex head tek screw (x4 per latch)
7	4350001698F	Trim stripe (sold/foot) 2' required
8	4750C4941	Curbside die cut decal
9	4060050008F	1/2" x 1" Foam tape (sold/foot)
10	4750C8478	Yukon name decal
	4752A2328	Laramie name decal
	4753-3258	Shenandoah name decal
	4753-0708	Sun Valley name decal
	4753-3248	Key West name decal
	4753-2348	Niagara name decal
11	4744B6071	Hatch door assembly (complete)
	4751-8301	Lock assembly
	4742B1261	Hinge x2 per door
	1203-8678	Rivet x2 per hinge, M25
12	4750B8481	Stove support
	4745-3968	Screw x3
	4744A2468	Machine screw x2
	1201B6958	Nut x2
13	4350001699F	Trim tape (sold/foot) 4' required
14	4733-2818	RVIA tag

REPAIR PARTS



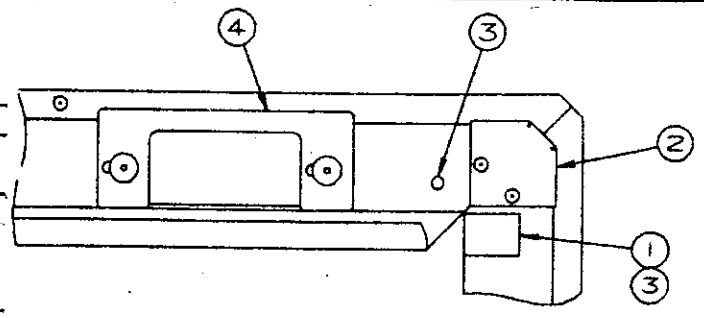
CURBSIDE RIGHT FRONT BODY PANEL & COMPONENTS
NOTE: ALL PANELS ARE SHIPPED LESS TRIM TAPE & DECALS

4716H2101 Curbside hardware & trim tape kit

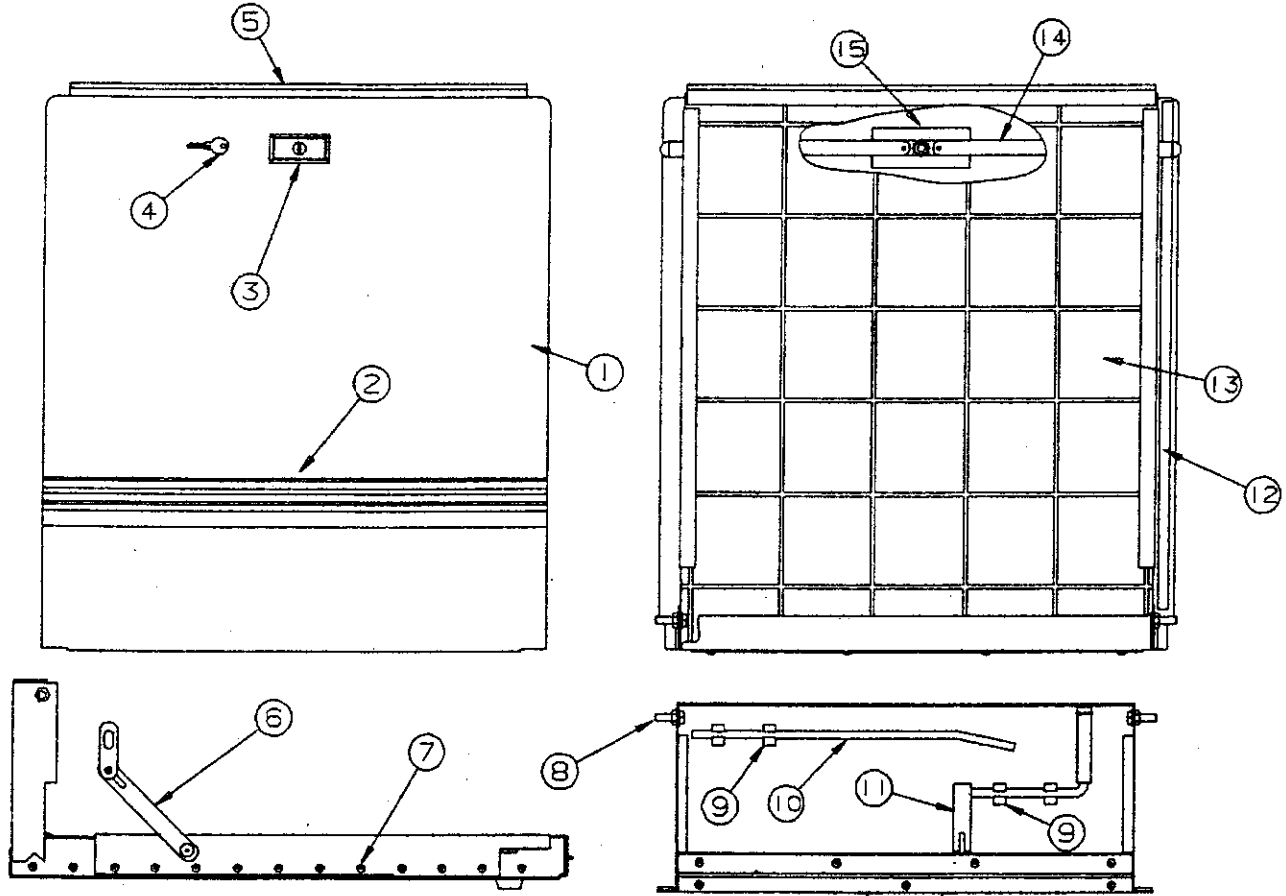
CODE	PART NO.	DESCRIPTION
1	4752-9651	Body panel 3042 (used on trailers prior to 8/24/95)
	4752B9651	Body panel 3042 (used on trailers after 8/24/95)
	4752-9661	Body panel 3082
	4752A9671	Body panel 3090, 3092
	4755A0431	Body panel 3095
	4753-2331	Body panel 3041 (used on trailers prior to 8/24/95)
	4753B2331	Body panel 3041 (used on trailers after 8/24/95)
2	4753B0761	Body rail 3042
	4750E8441	Body rail 3082
	4753A0721	Body rail 3090, 3092
	4753B2361	Body rail 3041, 3095
	4733D0601	Rivet, M25 (arctic white)
	4723A8071	Velcro hook 2" x 2", M4
	4350000005F	3/4" Velcro hook (sold/yard)
4710-3621	1/8" Roll pin, M10	
3	4744-2621	Bed slide 32" length NOTE: Must cut to size where applicable
4	4715F5051	Top latch (w/lock tab)
	4749-4848	Foam pad
	4741-8218	Hex head tek screw (x4 per latch)
5	4350001698F	Trim stripe (sold/foot) 2' required
6	4752A0778	By Fleetwood decal
7	4350001699F	Trim tape (sold/foot) 3' required
8	4753-4308	Curbside die cut decal
9	4060050008F	1/2" x 1" Foam tape (sold/foot)
10	4744B6071	Hatch door assembly (complete) 3090, 3092
	4746A6321	Hatch door assembly (complete) 3095 only
	4751-8301	Lock assembly
	4742B1261	Hinge x2 per door
	1203-8678	Rivet, M25 (x2 per hinge)

LIFT TRIM & MITER COVERS

CODE	PART NO.	DESCRIPTION
1	4747-2171	Bug hole patch (furry)
2	4737F9111	Miter cover, M4
	4747-2558	Expansion rivet, M25
	4741-9108	Hex head tek screw
4	4734H4111	Lift trim
	4753A3941	Rubber gasket, M4 (under lift trim)
	1203-8831	Rivet x2, M25



1996 GRAND TOUR SERIES

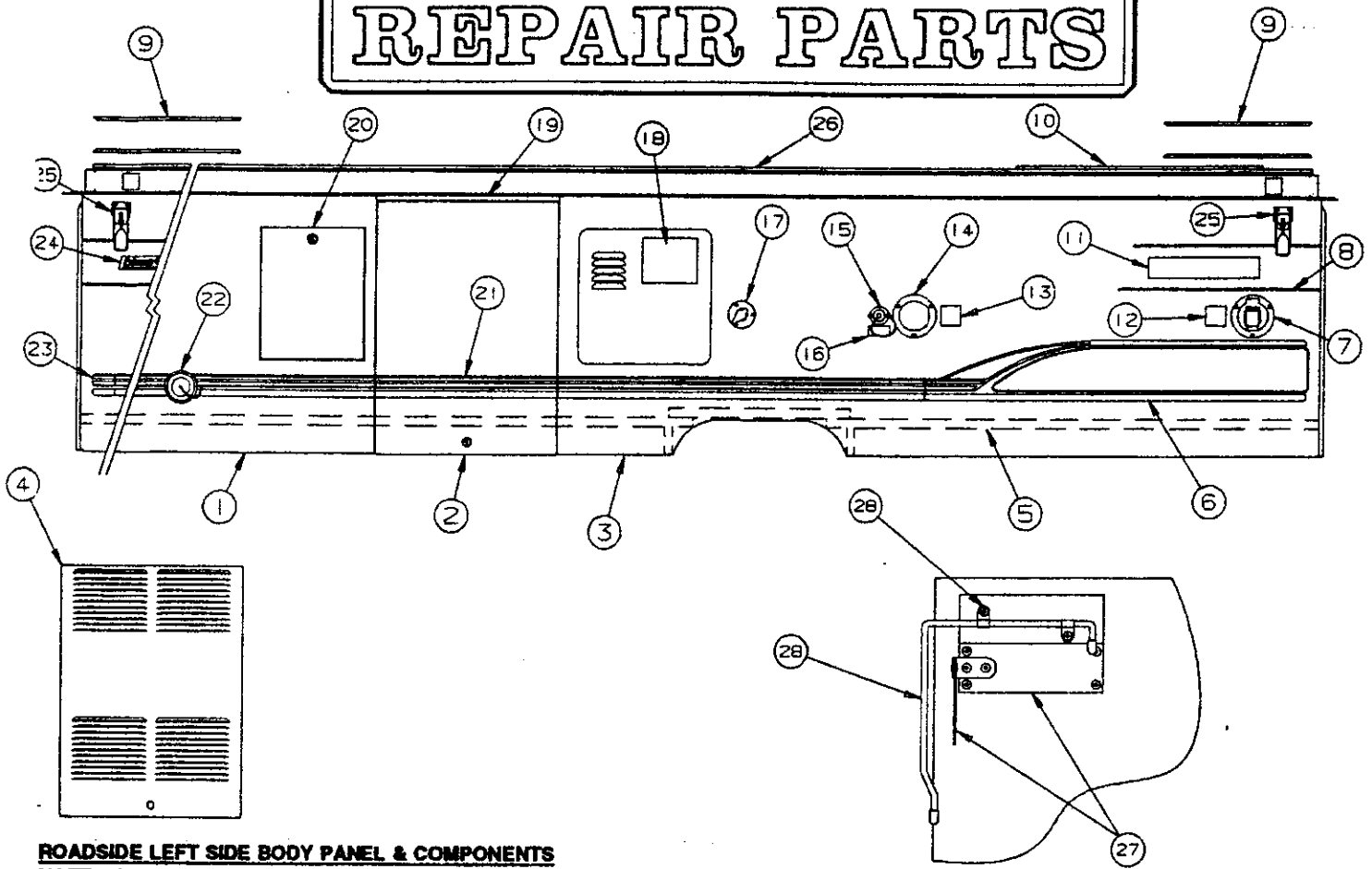


4750C66581 ACCESS DOOR ASSEMBLY LESS FLOOR COVERING (ALL)

4716H2101 Curbside Body Panel Hardware & Decal Kit

CODE	PART NO.	DESCRIPTION
1	4750A4821	Access door skin
2	4350001699F	Trim tape 3' required (sold/foot)
3	4730B3111	Lock handle (less key)
	4716-056	Screw x2
	1201B6958	Keps nut x2
4	4730A3211	Access door key, M10
5	4731M2331	Access door cap
	1203-8641	Rivet, M25
6	4744-6981	Swing arm assembly (rivets & washers included)
	1203C8721	Rivet, M25
	1202B0468	Washer
7	4733D0601	Rivet, (arctic white) M25
8	1006B2428	Bolt x2
	1202B0468	Washer x2
	1201B5188	Nut x2
9	4734-2431	Snap clip, M4
	4733-4118	Tek screw
10	4749-1861	Stabilizer handle, (all except 3095)
11	4747D4141	Crank handle, (all)
	NOTE: Crank handle used to crank scissor jacks up and down on 3095 model)	
12	4060025006F	Foam tape (sold/foot)
13	4750B9351	Floor covering
14	4741-6551	Lock bar assembly
15	4741-1438	Reinforcement plate

REPAIR PARTS



ROADSIDE LEFT SIDE BODY PANEL & COMPONENTS

NOTE: All panels are shipped less trim tape & decals.

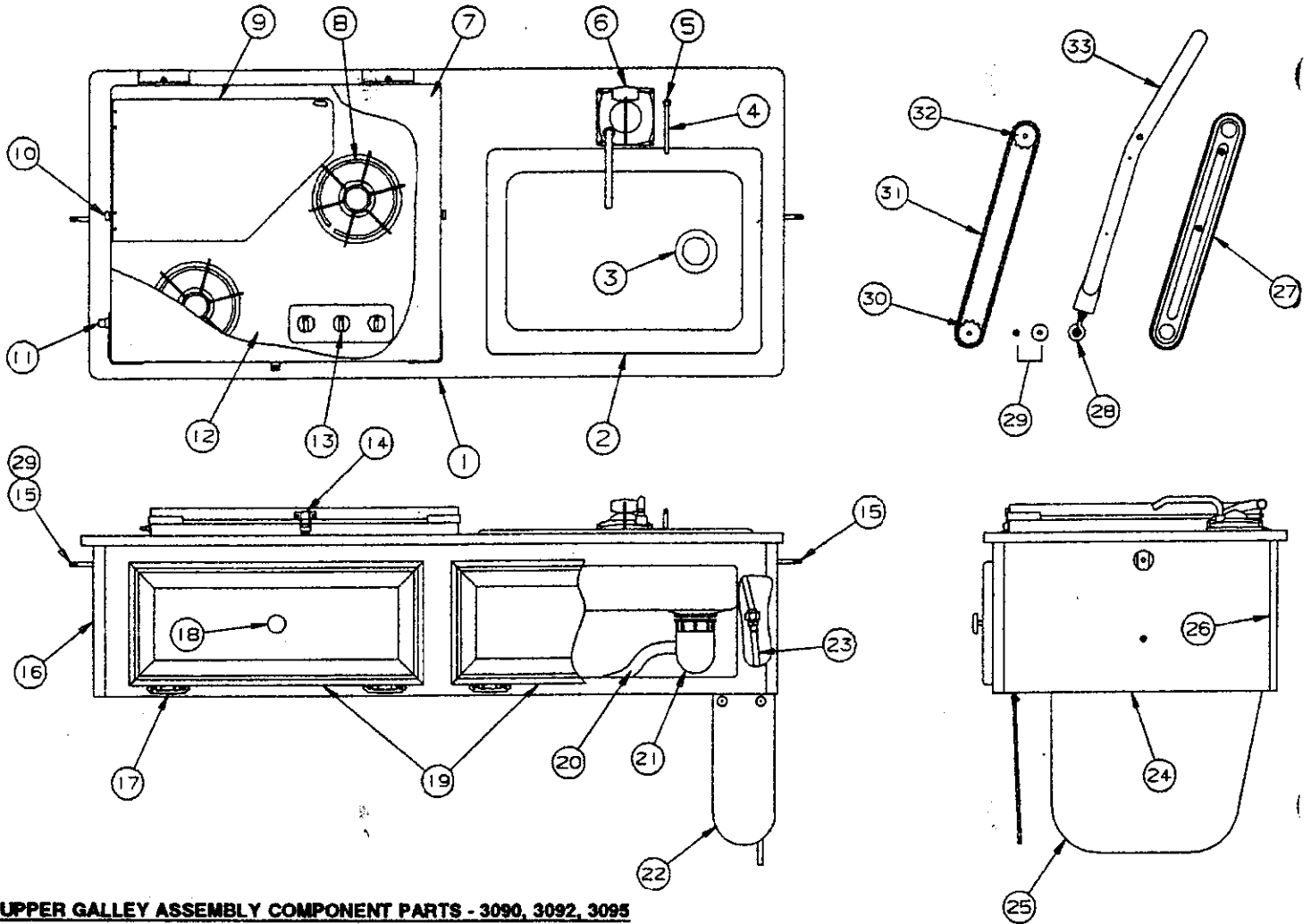
4716H2111 Roadside hardware & trim tape kit

NOTE: Code #11 not included in trim tape kit must order separately.

CODE	PART NO.	DESCRIPTION
1	4752A9891	Left front body panel 3042, 3082 (used on 3042 prior to 8/24/95)
	4752C9891	Left front body panel 3042 only (used on 3042 after 8/24/95)
	4753-8981	Left front body panel 3090
	4752B9721	Left front body panel 3092
	4753C2891	Left front body panel 3095
	4753A2301	Left front body panel 3041 (used on trailers prior to 8/24/95)
	4753C2301	Left front body panel 3041 (used on trailers after 8/24/95)
2	4747G89661	Access hatch door (less lock & hinges)
3	4752B9681	Left rear body panel 3042
	4752B9701	Left rear body panel 3082
	4753B2881	Left rear body panel 3090
	4752B9711	Left rear body panel 3092
	4753A4161	Left rear body panel 3095
	4753B2311	Left rear body panel 3041
4	4747G8251	Vented reefer hatch door (less lock & hinge)
5	4060050008F	1/2' x 1' Foam tape (sold/foot)
6	4750C4958	Roadside die cut
7	4733B23361	Cable hatch
	4741-3508	Hex head screw x3
8	4350001698F	Trim stripe (sold/foot) 2' required
9	4730B1211	Bed slide 18 3/16", M4
10	4737D2231	Curtain track 27"
	1203-8678	Rivet M25
11	NOTE: Refer to Page 12 for name decal Code #10	
12	4745A9948	30 AMP decal
13	4735C0988	Water decal

14	4731D1711	Fill spout
	4741-9108	Hex head tek screw
15	4734C0681	Drain spout M2
	4714-0021	Cap & strap M2
	4741-9108	Hex head tek screw x3
16	4744B2668	Drain decal
17	4732F1521	City fill
18	4716-1331	Water heater door 3090, 3095
	NOTE: Refer to Page 39 for water heater	
19	4747F9381	Hinge bracket
	4747D9391	Hinge
	4733D0601	Rivet x3 per hinge bracket, M25
	4350000095F	Foam tape 1/32" (sold/foot)
	1203-8951	Rivet, M25
20	4746A6321	Hatch door assembly (complete) 3090, 3095
	NOTE: Refer to Page 13 Code #10 for hardware	
21	4350001699F	Trim tape (sold/foot) 8' required
22	NOTE: Refer to Page 21 for this item 3090, 3095 only	
23	4753-4318	Roadside die cut decal
24	4752A0778	By Fleetwood decal
25	4741C8041	Top latch (without lock tab)
	NOTE: Refer to Page 12 Code #8 for mounting hardware	
26	4734N1761	Body rail 3042, 3082
	4753A0691	Body rail 3090, 3092, 3095, 3041
	4733D0601	Rivet, M25 (arctic white)
	4723A8071	Velcro hook 2" x 2", M4
	4710-3621	1/8" Roll pin, M10
27	4755-5411	Versacool stop kit
28	Refer to Page 19 Code #7 for this item	

1996 GRAND TOUR SERIES



UPPER GALLEY ASSEMBLY COMPONENT PARTS - 3090, 3092, 3095

UPPER GALLEY ASSEMBLIES (COMPLETE)

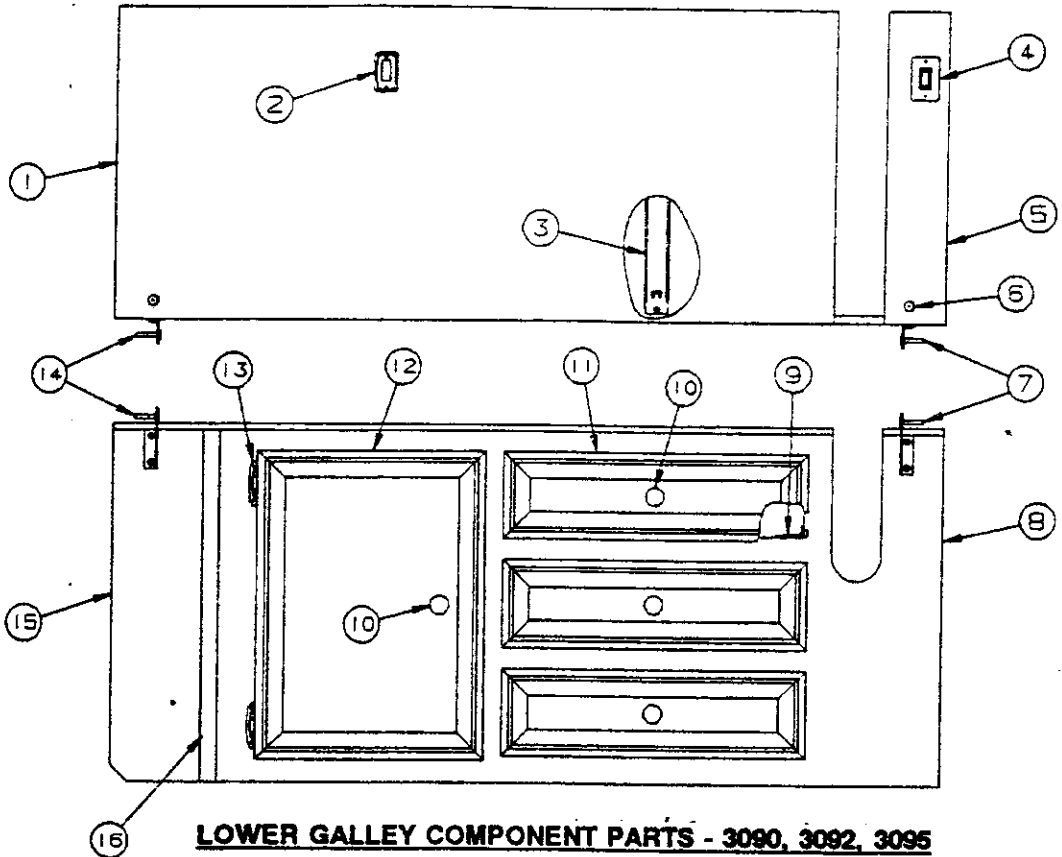
MODEL 3090, 3092, 3095 (w/hot water) - 4752-66981
 MODEL 3092 (w/out hot water) - 4752-6691

CODE	PART NO.	DESCRIPTION
1	4752-46481	Upper galley top 3090, 3092, 3095 (w/hot water)
	4752-4641	Upper galley top 3092 (w/out hot water)
	4080500084F	T-Molding (sold/foot)
	NOTE: Upper galley tops include T-Molding	
2	4710F0301	Sink 3092 (w/out hot water)
	4745B2801	Sink 3090, 3092, 3095 (w/hot water)
3	4714B0661	Crumb cup
4	4746A9071	Pump hold down bar package
5	4742-8701	Flange bushing, M4
6	4734C0161	LoBoy hand pump 3092 (w/out hot water)
	4716-081	Screw x4
	4714-3711	LoBoy hand pump repair kit
	4745D2741	Mixer faucet 3090, 3092, 3095 (w/hot water)
7	4741G60381	Stove cover (all)
8	4716-1851	Stove grate x3
9	4741G4131	Stove fin
	4741A4401	Hinge "brite" chrome
	1203-8558	Rivet, M25
10	4716A0881	Thumb screw, M6
11	1226D1538	Stove fin latch
	1203-8678	Rivet x2, M25...
12	4744E2401	3 Burner cook top
13	4716-1861	Knob
14	4733-4018	Latch
	1203-8558	Rivet x2, M25
	4733-4028	Strike
15	4753A6551	Upper galley angle x2
	4734E1861	Rivet "elm", M25

16	4716B0151	F-Channel 24' pc.
17	4745C26188	Hinge (self closing)
18	4748A3951	Door pull (includes screw)
19 *	4753-5751	Door panel x2
**	4754-6131	Door panel x1
20	4742A8781	Drain hose (sold 8 ft lengths)
21	4734A0671	Drain trap M2
22	4753-6531	Hole cover
23	4753-5581	Gas hose
24	4752-4628	Upper galley side left
	4752-462	Upper galley side right
25	4753-2831	Galley support leg (used on trailers prior to 7/16/95)
	4753B2831	Galley support leg (used on trailers after 7/16/95)
26	4060115601	5/32" F-Channel (sold/foot)
27	4753-1351	Galley chain cover (left)
	4753-1341	Galley chain cover (right)
28	4744-44561	Eye bolt, M4 (less bushing)
	4744-9211	Bushing, M2
29	1201B6038	Locknut x2
	1202B2528	Washer x2
30	4737A9238	Lower sprocket x2
31	4753-1361	Chain assembly x2
32	4737B9238	Upper sprocket x2
33	4753-1371	Galley lift bar

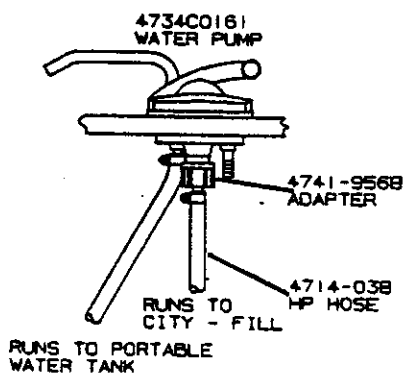
NOTE: * (used on trailers produced prior to 10/31/95)
 ** (used on trailers produced after 10/31/95)

REPAIR PARTS

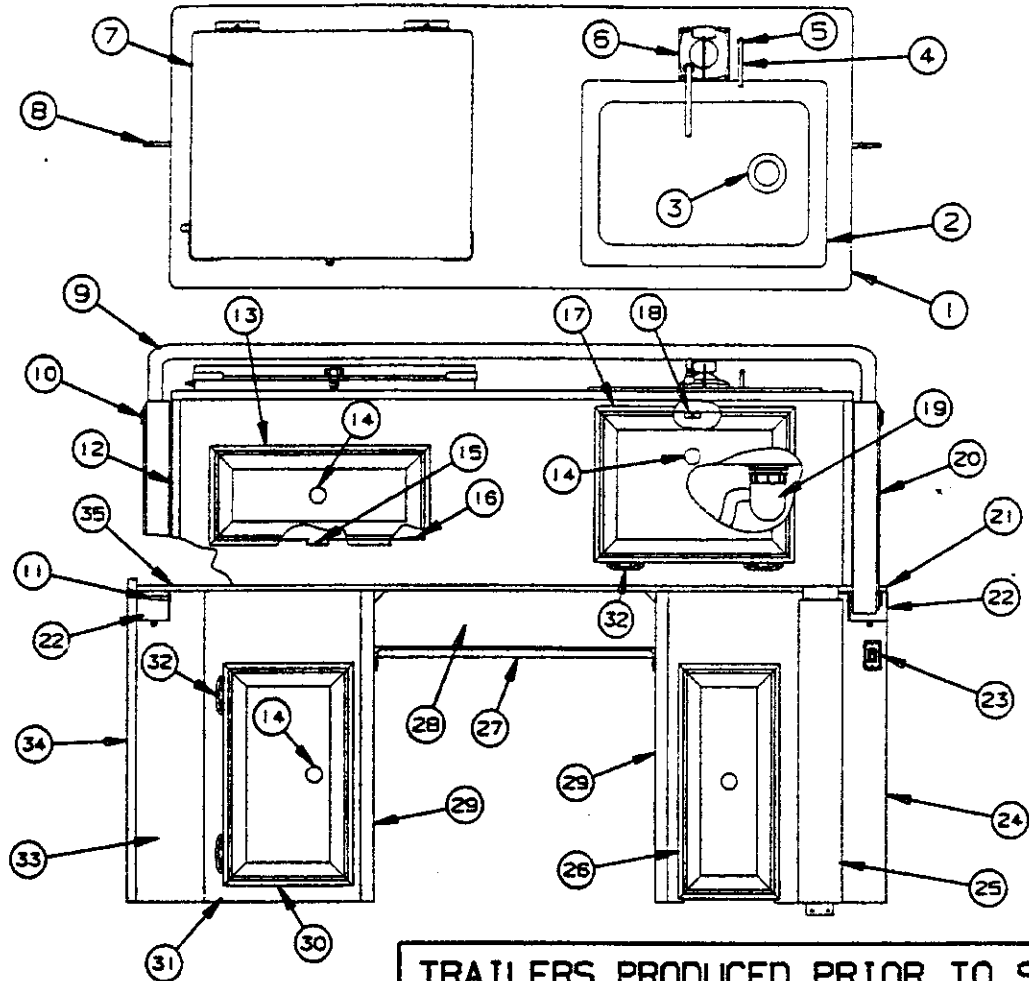


LOWER GALLEY COMPONENT PARTS - 3090, 3092, 3095

CODE	PART NO.	DESCRIPTION
1	4752-4591	Lower galley top (used on 3090, 92, only prior to 8/15/95)
	4752A4591	Lower galley top (used on trailers after 8/15/95)
2	4746A0971	Kill switch & mounting bracket
	4738-3088	Screw x2
3	4753-1391	Drawer slide 19 1/2" (must cut to size)
	4738-3088	Screw x2
4	4733C4981	Rocker switch 3090, 3095 only
5	4752-9918	Lower galley top "small" (must cut to size on trailers produced after 8/15/95)
6	4744B4608	Rivet "elm" M25
7	4753-5481	Galley bracket (right)
8	4752-4541	Lower galley front (used on 3090, 3092 only prior to 7/16/95)
	4752A4541	Lower galley front (used on trailers after 7/16/95)
	4752B4541	Lower galley front (used on trailers after 10/31/95)
9	4716-1411	Drawer corner roller M2
10	4748A3951	Door pull (includes screw)
	4753A5301	Drawer assembly x3
	4754-6141	Drawer assembly x1 (used on trailers after 10/31/95)
12	4753-5391	Door panel
13	4745C26188	Hinge (self closing)
14	4753-5491	Galley bracket (left)
15	4752-875	Lower galley front "small"
16	4748B865	H-Channel



1996 GRAND TOUR SERIES

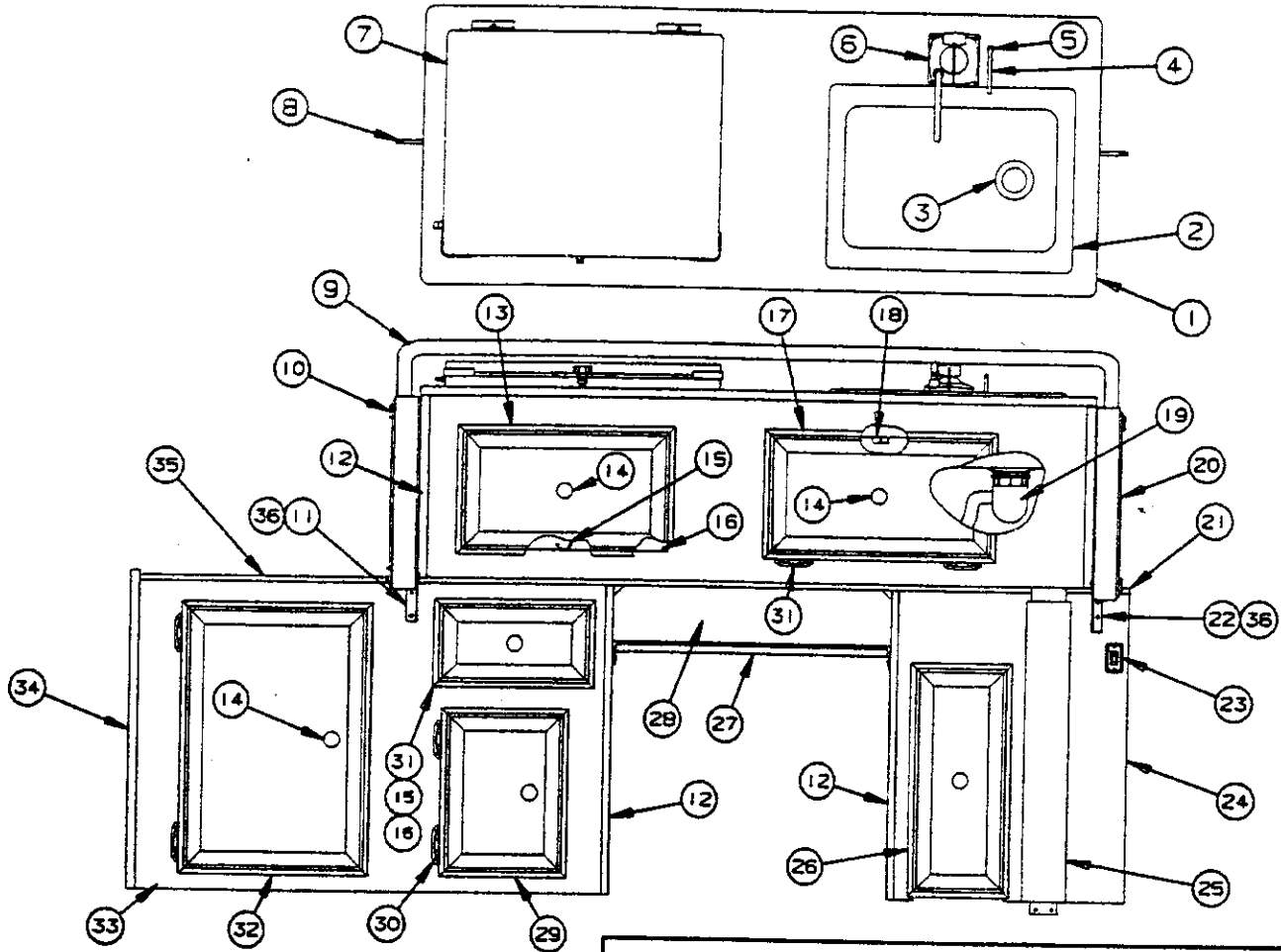


UPPER & LOWER GALLEY ASSY. - 3041
GALLEY ASSY. COMPONENTS

TRAILERS PRODUCED PRIOR TO S/N 99261
WILL USE THIS GALLEY LAYOUT

<p>① 4753-22281 UPPER GALLEY TOP (W/OUT HOT WATER) 4753-9121 UPPER GALLEY TOP (W/ HOT WATER) 4060500084F T-MOLDING (SOLD/FOOT)</p> <p>② 4710F0301 SINK (W/OUT HOT WATER) 4745B2801 SINK (W/HOT WATER)</p> <p>③ 4714B0661 CRUMB CUP</p> <p>④ 4746A9071 PUMP HOLD DOWN PKG.</p> <p>⑤ 4742-8701 FLANGE BUSHING M4</p> <p>⑥ 4734C0161 HAND PUMP (W/OUT HOT WATER) 4716-081 SCREW x4 4714-3711 HAND PUMP REPAIR KIT 4745D2741 MIXER FAUCET (W/HOT WATER)</p> <p>⑦ 4741G60381 STOVE COVER NOTE: REFER TO PAGE 18 FOR STOVE COMPONENTS</p> <p>⑧ 4752-9271 GALLEY ANGLE "LEFT" 4752-9261 GALLEY ANGLE "RIGHT" 4734E1861 PAINTED RIVET M25</p> <p>⑨ 4753-2701 GALLEY LIFT BAR 4744-63281 LIFT BAR CHAIN x2</p> <p>⑩ 4750-8941 PLASTIC CHAIN COVER "LEFT"</p> <p>⑪ 4752-9201 GALLEY BRACKET "LEFT" 4752-9211 GALLEY BRACKET "RIGHT"</p> <p>⑫ 4716B0151 F-CHANNEL 24" PC.</p> <p>⑬ 4752-6921 DRAWER ASSY.</p> <p>⑭ 4748A3951 DOOR PULL (INCLUDES SCREW)</p> <p>⑮ 4753-1391 DRAWER GUIDE (MUST CUT TO SIZE)</p> <p>⑯ 4716-1411 PLASTIC CORNER ROLLER M2</p> <p>⑰ 4755-5921 DOOR ASSY.</p>	<p>⑱ 4733-6391 LATCH & STRIKE PKG.</p> <p>⑲ 4734A0671 DRAIN TRAP M2 4742A8781 DRAIN HOSE (SOLD 8' LENGTHS)</p> <p>⑳ 4750-8951 PLASTIC CHAIN COVER "RIGHT"</p> <p>㉑ 4752A9231 LOWER GALLEY TOP (SMALL)</p> <p>㉒ 4744E08581 LOWER GALLEY FILLER</p> <p>㉓ 4751-1161 "LIGHTED" ROCKER SWITCH 4738-3088 SCREW x2</p> <p>㉔ *4752A41881 LOWER GALLEY SUPPORT "RIGHT" **4752B41881 LOWER GALLEY SUPPORT "RIGHT"</p> <p>㉕ 4750-6731 FILLER ASSY.</p> <p>㉖ 4753-6421 SLIDING PANTRY 4744A9261 KNUCKLE LATCH (PLASTIC)</p> <p>4752-3871 METAL SLIDE TRACK</p> <p>㉗ 4753-4751 COOLER STOP 4744-8308 NYLON SPACER x2 4747-2558 EXPANSION RIVET M25</p> <p>㉘ 4753-5771 VERSACOOL SHELF ASSY.</p> <p>㉙ 4752-45081 METAL UPRIGHT 4747-2558 EXPANSION RIVET M25</p> <p>㉚ 4753-6361 DOOR PANEL</p> <p>㉛ 4753A227 LOWER GALLEY FRONT "LEFT"</p> <p>㉜ 4745C26188 HINGE (SPRING LOADED)</p> <p>㉝ 4750D88181 LOWER GALLEY SUPPORT 4752-9111 SEAT GAZOON</p> <p>㉞ *4753-2291 LOWER GALLEY TOP (LARGE) **4753A2291 LOWER GALLEY TOP (LARGE) 4744B4608 PAINTED RIVET M25</p>
---	---

REPAIR PARTS

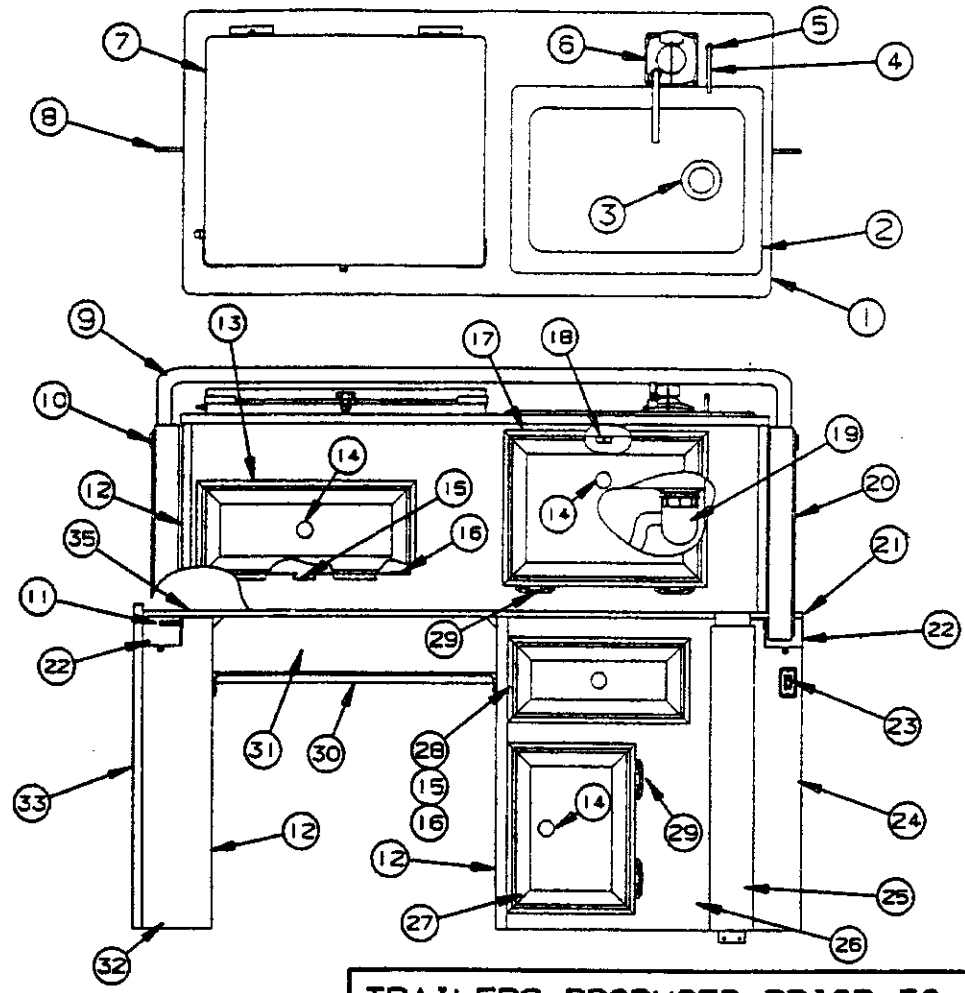


UPPER & LOWER GALLEY ASSY. - 3041
GALLEY ASSY. COMPONENTS

TRAILERS STARTING WITH S/N 99261
WILL USE THIS GALLEY LAYOUT

- | | |
|--|--|
| <ul style="list-style-type: none"> ① 4753-22281 UPPER GALLEY TOP (W/OUT HOT WATER) 4753-9121 UPPER GALLEY TOP (W/ HOT WATER) 4060500084F T-MOLDING (SOLD/FOOT) ② 4710F0301 SINK (W/OUT HOT WATER) 4745B2801 SINK (W/HOT WATER) ③ 4714B0661 CRUMB CUP ④ 4746A9071 PUMP HOLD DOWN PKG. ⑤ 4742-8701 FLANGE BUSHING M4 ⑥ 4734C0161 HAND PUMP (W/OUT HOT WATER) 4716-081 SCREW x4 4714-3711 HAND PUMP REPAIR KIT 4745D2741 MIXER FAUCET (W/HOT WATER) ⑦ 4741G60381 STOVE COVER NOTE: REFER TO PAGES 18 FOR STOVE COMPONENTS ⑧ 4752-9271 GALLEY ANGLE "LEFT" 4752-9261 GALLEY ANGLE "RIGHT" 4734E1861 PAINTED RIVET M25 ⑨ 4753A2701 GALLEY LIFT BAR 4754-6441 LIFT BAR CHAIN x2 ⑩ 4750-8941 PLASTIC CHAIN COVER "LEFT" ⑪ 4753A5491 GALLEY BRACKET "LEFT" ⑫ 471680151 F-CHANNEL 24" PC. ⑬ 4752A69281 DRAWER ASSY. ⑭ 4748A3951 DOOR PULL (INCLUDES SCREW) ⑮ 4754-0721 DRAWER GUIDE (MUST CUT TO SIZE) ⑯ 4749-8398 PLASTIC CORNER TACK ⑰ 4754-6171 DOOR ASSY. ⑱ 4733-6391 LATCH & STRIKE PKG. | <ul style="list-style-type: none"> ⑲ 4734A0671 DRAIN TRAP M2 4742A8781 DRAIN HOSE (SOLD 8' LENGTHS) ⑳ 4750-8951 PLASTIC CHAIN COVER "RIGHT" ㉑ 4752B923 LOWER GALLEY TOP (SMALL) ㉒ 4753A5481 GALLEY BRACKET "RIGHT" ㉓ 4751-1161 "LIGHTED" ROCKER SWITCH 4738-3088 SCREW x2 ㉔ 4753-954 LOWER GALLEY FRONT FILLER ASSY. ㉕ 4750-6731 SLIDING PANTRY ㉖ 4753-6421 KNUCKLE LATCH (PLASTIC) 4744A9261 METAL SLIDE TRACK 4752-3871 COOLER STOP ㉗ 4753-4751 NYLON SPACER x2 4744-8308 EXPANSION RIVET M25 4747-2558 VERSACOOOL SHELF ASSY. ㉘ 4753-5771 DOOR PANEL ㉙ 4752-6901 HINGE (SPRING LOADED) ㉚ 4745C26188 DRAWER ASSY. ㉛ 4752A69381 DOOR PANEL 4754-6161 LOWER GALLEY FRONT "LEFT" ㉜ 4753A227 SEAT GAZO001 4752-9111 LOWER GALLEY TOP (LARGE) ㉝ 4753B2291 PAINTED RIVET M25 ㉞ 4744B4608 |
|--|--|

1996 GRAND TOUR SERIES



**TRAILERS PRODUCED PRIOR TO S/N 96550
WILL USE THIS GALLEY LAYOUT**

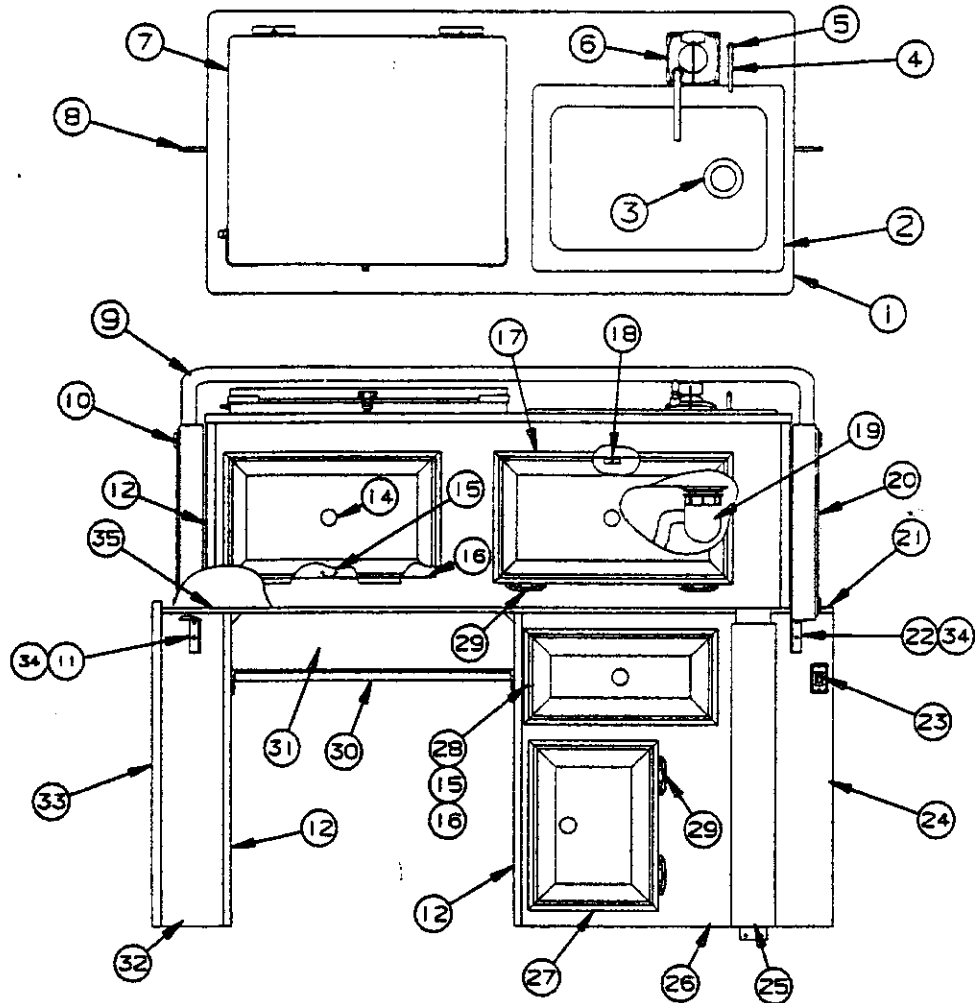
**UPPER & LOWER GALLEY ASSY. - 3042, 3082
GALLEY ASSY. COMPONENTS**

- | | |
|--|--|
| <ul style="list-style-type: none"> ① 4752-9071 UPPER GALLEY TOP (W/OUT HOT WATER) 4753-9221 UPPER GALLEY TOP (W/ HOT WATER) 4060500084F T-MOLDING (SOLD/FOOT) ② 4710F0301 SINK (W/OUT HOT WATER) 4745B2801 SINK (W/HOT WATER) ③ 471480661 CRUMB CUP ④ 4746A9071 PUMP HOLD DOWN PKG. ⑤ 4742-8701 FLANGE BUSHING M4 ⑥ 4734C0161 HAND PUMP (W/OUT HOT WATER) 4716-081 SCREW x4 4714-3711 HAND PUMP REPAIR KIT 4745D2741 MIXER FAUCET (W/HOT WATER) ⑦ 4741G60381 STOVE COVER NOTE: REFER TO PAGE 16 FOR STOVE COMPONENTS ⑧ 4752-9271 GALLEY ANGLE "LEFT" 4752-9261 GALLEY ANGLE "RIGHT" 4734E1861 PAINTED RIVET M25 ⑨ 4752-9301 GALLEY LIFT BAR 4744-63281 LIFT BAR CHAIN x2 ⑩ 4750-8941 PLASTIC CHAIN COVER "LEFT" ⑪ 4752-9201 GALLEY BRACKET "LEFT" 4752-9211 GALLEY BRACKET "RIGHT" ⑫ 471680151 F-CHANNEL 24" PC. ⑬ **4752-6921 DRAWER ASSY. **4752A69281 DRAWER ASSY. ⑭ 4748A3951 DOOR PULL (INCLUDES SCREW) | <ul style="list-style-type: none"> ⑮ 4753-1391 DRAWER GUIDE (MUST CUT TO SIZE) ⑯ 4716-1411 PLASTIC CORNER ROLLER M2 ⑰ 4755-5921 DOOR ASSY. ⑱ 4733-6391 LATCH & STRIKE PKG. ⑲ 4734A0671 DRAIN TRAP M2 4742A8781 DRAIN HOSE (SOLD 8' LENGTHS) ⑳ 4750-8951 PLASTIC CHAIN COVER "RIGHT" ㉑ 4752A9231 LOWER GALLEY TOP (SMALL) ㉒ 4744E08581 LOWER GALLEY FILLER ㉓ 4751-1161 "LIGHTED" ROCKER SWITCH 4738-3088 SCREW x2 ㉔ **4752A4181 LOWER GALLEY SUPPORT **4752A4181 LOWER GALLEY SUPPORT ㉕ 4750-6731 FILLER ASSY. ㉖ 4752B910 LOWER GALLEY FRONT ㉗ 4752-6901 DOOR PANEL ㉘ 4752-6931 DRAWER ASSY. ㉙ 4745C26188 HINGE (SPRING LOADED) ㉚ 4753-4751 COOLER STOP 4744-8308 NYLON SPACER x2 4747-2558 EXPANSION RIVET M25 ⑳ 4753-5771 VERSACOOL SHELF ASSY. ㉛ 4750088181 LOWER GALLEY SUPPORT ㉜ 4752-9111 SEAT GAZOOD! ㉝ 474484608 PAINTED RIVET M25 **4752-9081 LOWER GALLEY TOP (LARGE) **4752A9081 LOWER GALLEY TOP (LARGE) |
|--|--|

*USED ON TRAILERS PRIOR TO 2/1/96
**USED ON TRAILERS AFTER 2/1/96

*USED ON TRAILERS PRIOR TO 9/24/95
**USED ON TRAILERS AFTER 9/24/95

REPAIR PARTS

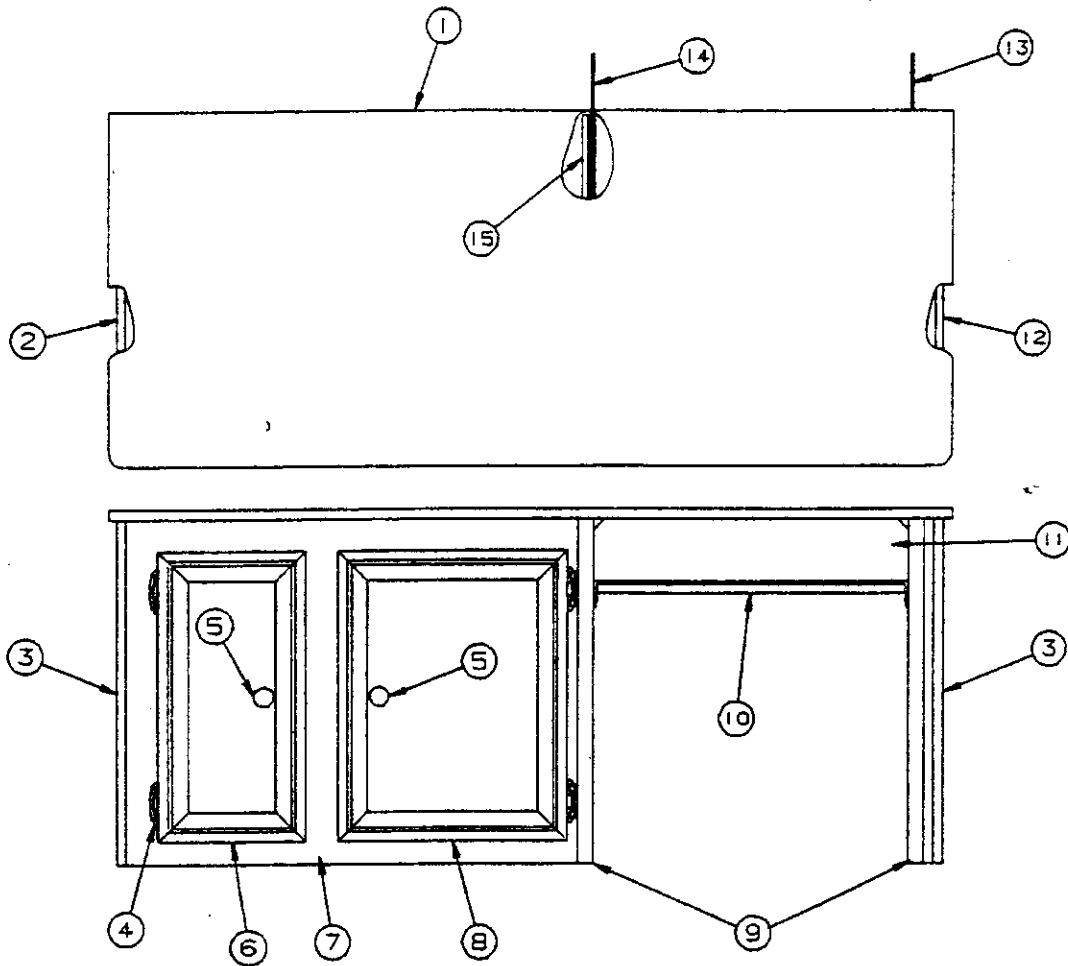


UPPER & LOWER GALLEY ASSY. - 3042
GALLEY ASSY. COMPONENTS

TRAILERS STARTING WITH S/N 96550
WILL USE THIS GALLEY LAYOUT

- | | | | | | |
|---|------------------------------------|--------------|----------------------------|--------------|---------------------------------|
| ① 4752-9071 | UPPER GALLEY TOP (W/OUT HOT WATER) | ⑩ 4750-8941 | PLASTIC CHAIN COVER "LEFT" | ⑲ 4754-0721 | DRAWER GUIDE (MUST CUT TO SIZE) |
| 4753-9221 | UPPER GALLEY TOP (W/ HOT WATER) | ⑪ 4753A5491 | GALLEY BRACKET "LEFT" | ⑳ 4749-8398 | PLASTIC CORNER TACK |
| 4060500084F | T-MOLDING (SOLD/FOOT) | ⑫ 471680151 | F-CHANNEL 24" PC. | ㉑ 4754-6171 | DOOR ASSY. |
| ② 4710F0301 | SINK (W/OUT HOT WATER) | ⑬ 4752A69281 | DRAWER ASSY. | ㉒ 4733-6391 | LATCH & STRIKE PKG. |
| 474582801 | SINK (W/HOT WATER) | ⑭ 4748A3951 | DOOR PULL (INCLUDES SCREW) | ㉓ 4734A0671 | DRAIN TRAP M2 |
| ③ 471480661 | CRUMB CUP | | | 4742A8781 | DRAIN HOSE (SOLD 8' LENGTHS) |
| ④ 4746A9071 | PUMP HOLD DOWN PKG. | | | ㉔ 4750-8951 | PLASTIC CHAIN COVER "RIGHT" |
| ⑤ 4742-8701 | FLANGE BUSHING M4 | | | ㉕ 4752B923 | LOWER GALLEY TOP (SMALL) |
| ⑥ 4734C0161 | HAND PUMP (W/OUT HOT WATER) | | | ㉖ 4753A5481 | GALLEY BRACKET "RIGHT" |
| 4716-081 | SCREW x4 | | | ㉗ 4751-1161 | "LIGHTED" ROCKER SWITCH |
| 4714-3711 | HAND PUMP REPAIR KIT | | | 4738-3088 | SCREW x2 |
| 4745D2741 | MIXER FAUCET (W/HOT WATER) | | | ㉘ 4752C4188 | LOWER GALLEY FRONT |
| ⑦ 4741G60381 | STOVE COVER | | | ㉙ 4750-6731 | FILLER ASSY. |
| NOTE: REFER TO PAGE 16 FOR STOVE COMPONENTS | | | | ㉚ 4752C910 | LOWER GALLEY FRONT |
| ⑧ 4752-9271 | GALLEY ANGLE "LEFT" | | | ㉛ 4752-6901 | DOOR PANEL |
| 4752-9261 | GALLEY ANGLE "RIGHT" | | | ㉜ 4752A69381 | DRAWER ASSY. |
| 4734E1861 | PAINTED RIVET M25 | | | ㉝ 4745C26188 | HINGE (SPRING LOADED) |
| ⑨ 4752A9301 | GALLEY LIFT BAR | | | 4753-4751 | COOLER STOP |
| 4754-6441 | LIFT BAR CHAIN x2 | | | 4744-8308 | NYLON SPACER x2 |
| ⑩ 4750-8941 | PLASTIC CHAIN COVER "LEFT" | | | 4747-2558 | EXPANSION RIVET M25 |
| ⑪ 4753A5491 | GALLEY BRACKET "LEFT" | | | ⑳ 4753-5771 | VERSACOOL SHELF ASSY. |
| ⑫ 471680151 | F-CHANNEL 24" PC. | | | ㉑ 4754-328 | LOWER GALLEY FRONT "LEFT" |
| ⑬ 4752A69281 | DRAWER ASSY. | | | ㉒ 4752-9111 | SEAT GAZ0001 |
| ⑭ 4748A3951 | DOOR PULL (INCLUDES SCREW) | | | ㉓ 474484608 | PAINTED RIVET M25 |
| | | | | ㉔ 475289081 | LOWER GALLEY TOP (LARGE) |

1996 GRAND TOUR SERIES



ROADSIDE HUTCH ASSEMBLY COMPONENT PARTS - 3090, 3092, 3095

CODE	PART NO.	DESCRIPTION
1	4752-4601	Hutch top 3092
	4753-2791	Hutch top 3090, 3095
	4060500084F	T-Molding (sold/foot)
NOTE: Hutch tops include T-Molding		
2	4753-039	Hutch side (left) 3092
	4753-282	Hutch side (left) 3090, 3095
3	471680151	F-Channel 24" pc.
4	4745C26188	Hinge (self closing)
5	4748A3951	Door pull (includes screw)
6	4753-5381	Door panel (all)
7	* 4752-455	Hutch front 3092
	** 4752A455	Hutch front 3092
	4753-280	Hutch front 3090, 3095
8	* 4755-5991	Door assembly
	** 4753-5391	Door assembly
9	4752-45081	Metal upright (all)
	4747-2558	Expansion rivet M25
10	4753-4751	Cooler stop (all)
	4744-8308	Nylon spacer x2
	4747-2558	Expansion rivet x2, M25

11	4753-5771	Versacool shelf (all)
12	* 4752-457	Hutch side (right) 3092
	** 4752A457	Hutch side (right) 3092
13	4753-187	Refrigerator baffle 3092
	4747D227	Refrigerator baffle 3090, 3095
14	4753-188	Refrigerator baffle 3092
	4753-485	Refrigerator baffle 3090, 3095
15	4714E2931	Toe molding 48", M2 (must cut to size)

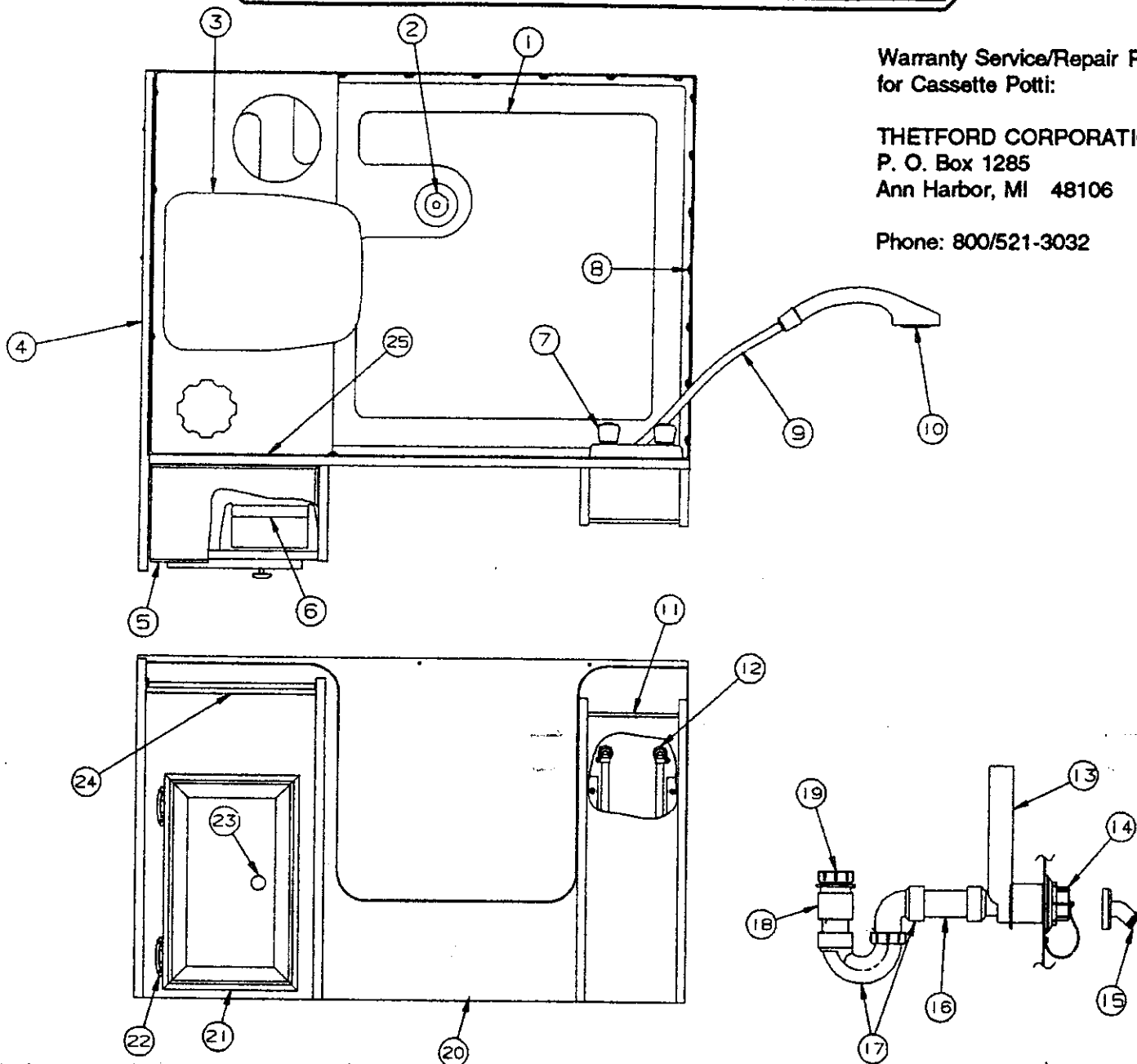
NOTE: * (used on trailers produced prior to 10/31/95)
 ** (used on trailers produced after 10/31/95)

REPAIR PARTS

Warranty Service/Repair Parts
for Cassette Potti:

THETFORD CORPORATION
P. O. Box 1285
Ann Harbor, MI 48106

Phone: 800/521-3032

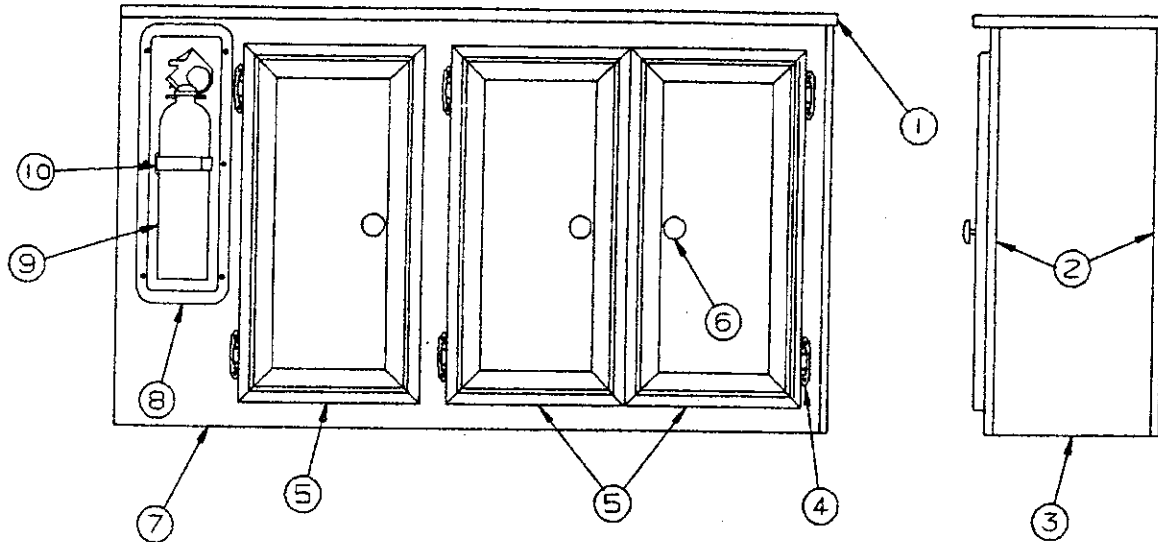


POTTI/SHOWER CABINET - 3090, 3095

CODE	PART NO.	DESCRIPTION
1	4753-3491	Shower pan
2	4746A1821	Basket & strainer
3	4746C2461	Cassette potti
4	4753-2811	Shower wall
5	4755-0131	Cabinet lid
	4755-0141	Lid hinge
6	4741A4241	Toilet tissue holder
7	4741B2071	Shower diverter
	4716-0848	Shower hose connector
8	4739E2908	Screw cap
	4739-2918	Screw cap washer
	4741B2051	Shower hose (69" length)
	4746A3761	Shower head with bracket
11	4755-016	Luan face plate
	4060015601	5/32 U-Channel (sold/foot)
12	NOTE: Refer to Page39for plumbing hookup & related parts	

13	4741B9301	Vent system
14	4714A2861	Cap & strap
	4749-4131	Shower drain gasket
15	4737-9138	Drain adapter
16		1 1/2" Drain pipe (purchase locally)
17	4752-3621	P-Trap with union joint
18	4746-499	1 1/2" Coupler
19	4741A9331	Trap adapter
	4752-363	Rubber washer
20	4753-4951	Shower threshold
21	4755-5821	Door panel
22	4745C26188	Hinge (self closing)
23	4748A3951	Door pull (includes screw)
24	4060195603	1/2" U-Channel (sold/foot)
25	40600000403F	1/4 Foam tape

1996 GRAND TOUR SERIES



CURBSIDE CENTER CABINET COMPONENT PARTS - 3090, 3092, 3095

CODE	PART NO.	DESCRIPTION
1 *	4752-4971	Cabinet top 3090, 3092
**	4752A4971	Cabinet top 3090, 3092
	4753-2371	Cabinet top 3095
	4060500084F	T-Molding (sold/foot)
2	4060115601	5/32" F-Channel (sold/foot)
3	4752-4958	Cabinet side (must cut to size 3090, 3092)
4	4745C26188	Hinge (self closing)
5 *	4752-6971	Door panel x3 (all)
**	4753-5391	Door panel X2 (all)

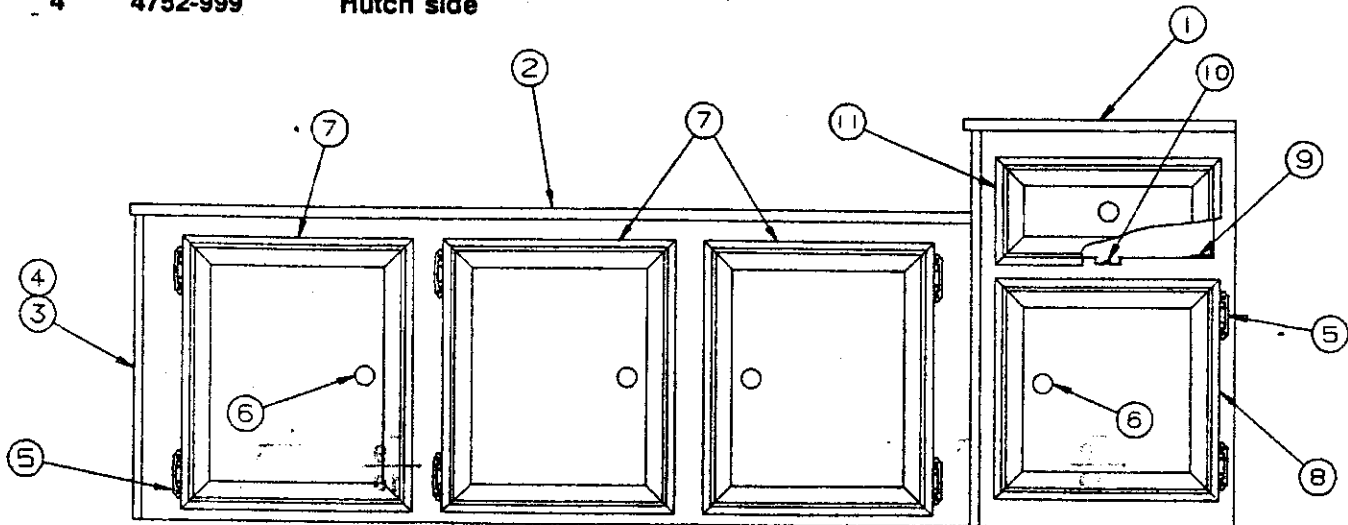
6	4748A3951	Door pull (includes screw)
7 *	4752-469	Cabinet front (all)
**	4752A4691	Cabinet front (all)
8	4737B4198	Recessed mount
	4738-3088	Screw x6
9	4737A5558	Fire extinguisher
10	4716-1191	Fire extinguisher strap, M2

NOTE: * (used on trailers produced prior to 10/31/95)
 ** (used on trailers produced after 10/31/95)

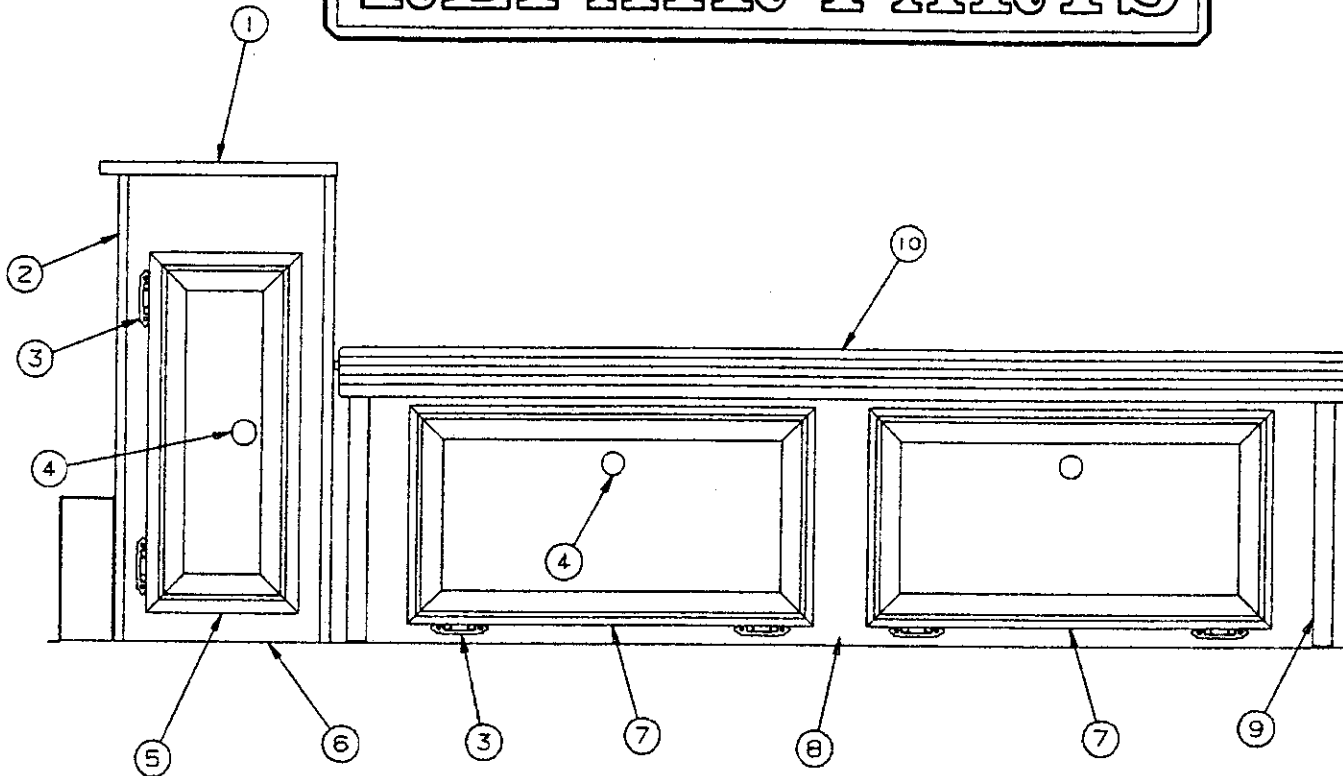
3082 CURBSIDE HUTCH COMPONENT PARTS

CODE	PART NO.	DESCRIPTION
1	4752-9941	Hutch top "small"
2	4752-9951	Hutch top "large"
	4060500084F	T-Molding (sold/foot)
3	4716B0151	F-Channel 24" pc.
4	4752-999	Hutch side

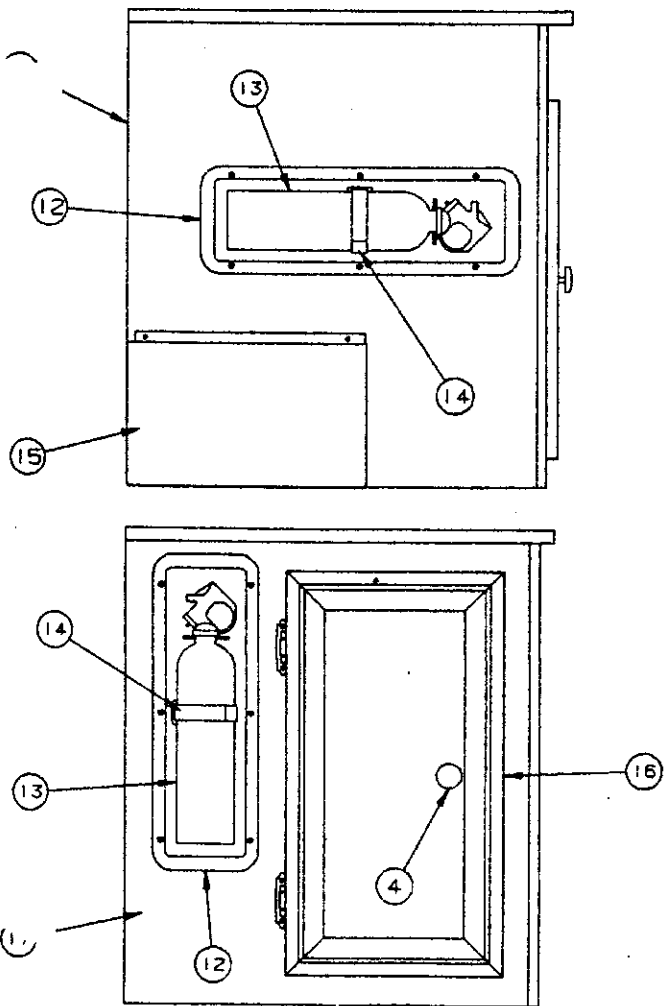
5	4745C26188	Hinge (self closing)
6	4748A3951	Door pull (includes screw)
7	4753-5361	Door panel x3
8	4753-6581	Door panel x1
9	4716-1411	Drawer corner roller M2
10	4753-1391	Drawer slide package 19 1/2"
	4738-3088	Screw x2
11	4752-6931	Drawer assembly



REPAIR PARTS



CURBSIDE HUTCH/BENCH ASSEMBLY 3041, 3042

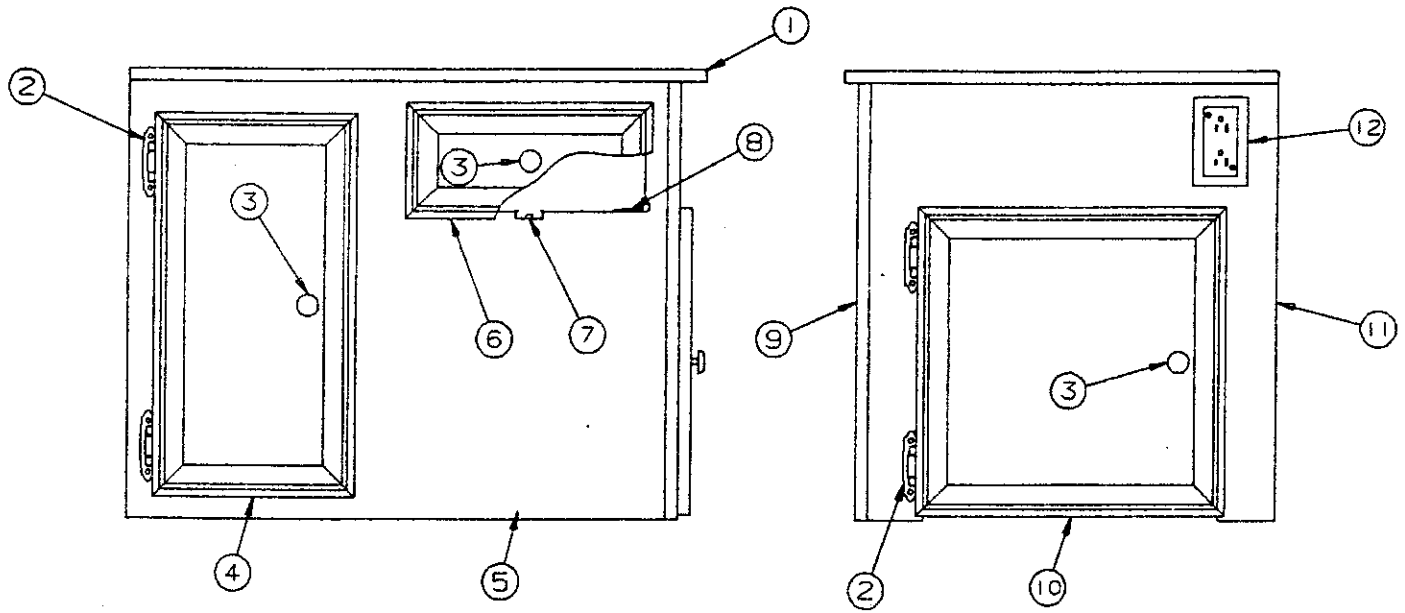


CODE	PART NO.	DESCRIPTION
1	4753-3031	Cabinet top 3041
*	4752-9161	Cabinet top 3042
**	4752A9161	Cabinet top 3042
	4060500084F	T-Molding (sold/foot)
2	4060115601	5/32" F-Channel (sold/foot)
3	4745C26188	Hinge (self closing)
4	4748A3951	Door pull (includes screw)
5	4755-5101	Door panel 3041 only
6	4753-301	Cabinet side 3041
	4752-915	Cabinet side 3042
7	* 4752-6971	Door panel x2 (all)
	** 4754-6151	Door panel x2 3042
8	* 4752A912	Bench front (all)
	** 4752B912	Bench front 3042 only
9	4752A505	Bench bed leg x2 (all)
	4752-0551	White plastic cap M2
	4744B4608	Rivet, M25 (to hold leg to bed)
10	4752A507	Slide out bed assembly (all)
11	4753-300	Cabinet front 3041
12	4737B4198	Recessed mount
	4738-3088	Screw x6
13	4737A5558	Fire extinguisher
14	4716-1191	Fire extinguisher strap M2
15	4748C80381	Wheel well cover (metal)
	4748C8048	Wheel well cover (wood insert)
16	4752-6971	Door panel 3042 only
17	4752-913	Cabinet front 3042

* Used on trailers prior to 2/1/96

** Used on trailers after 2/1/96

1996 GRAND TOUR SERIES

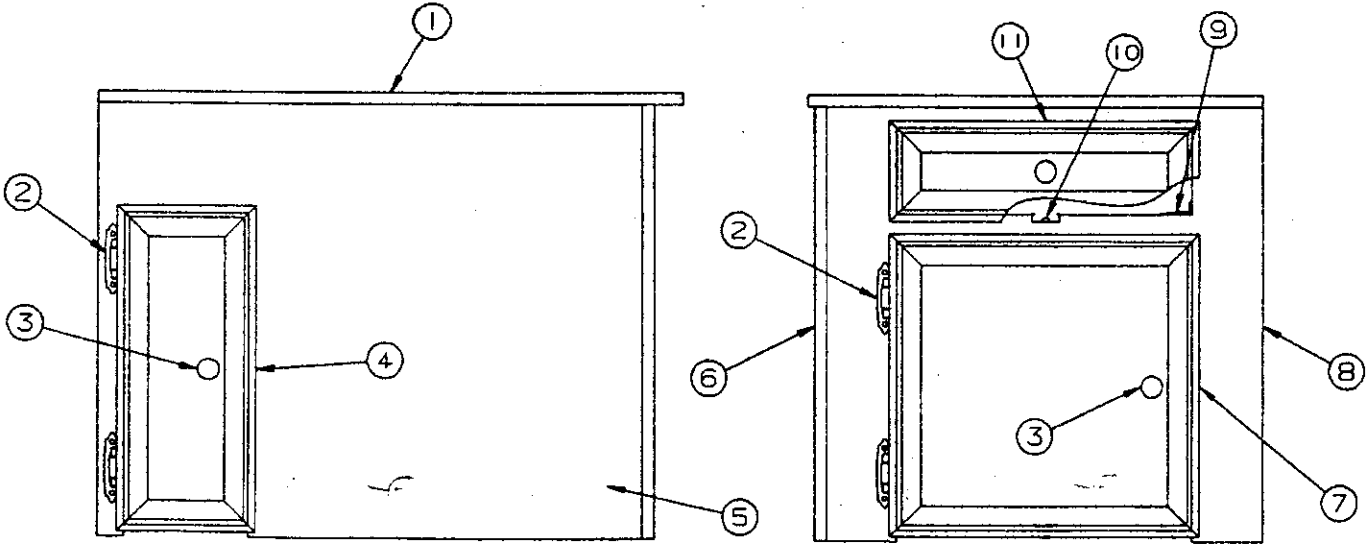


CORNER CABINET ASSEMBLY COMPONENT PARTS - 3041

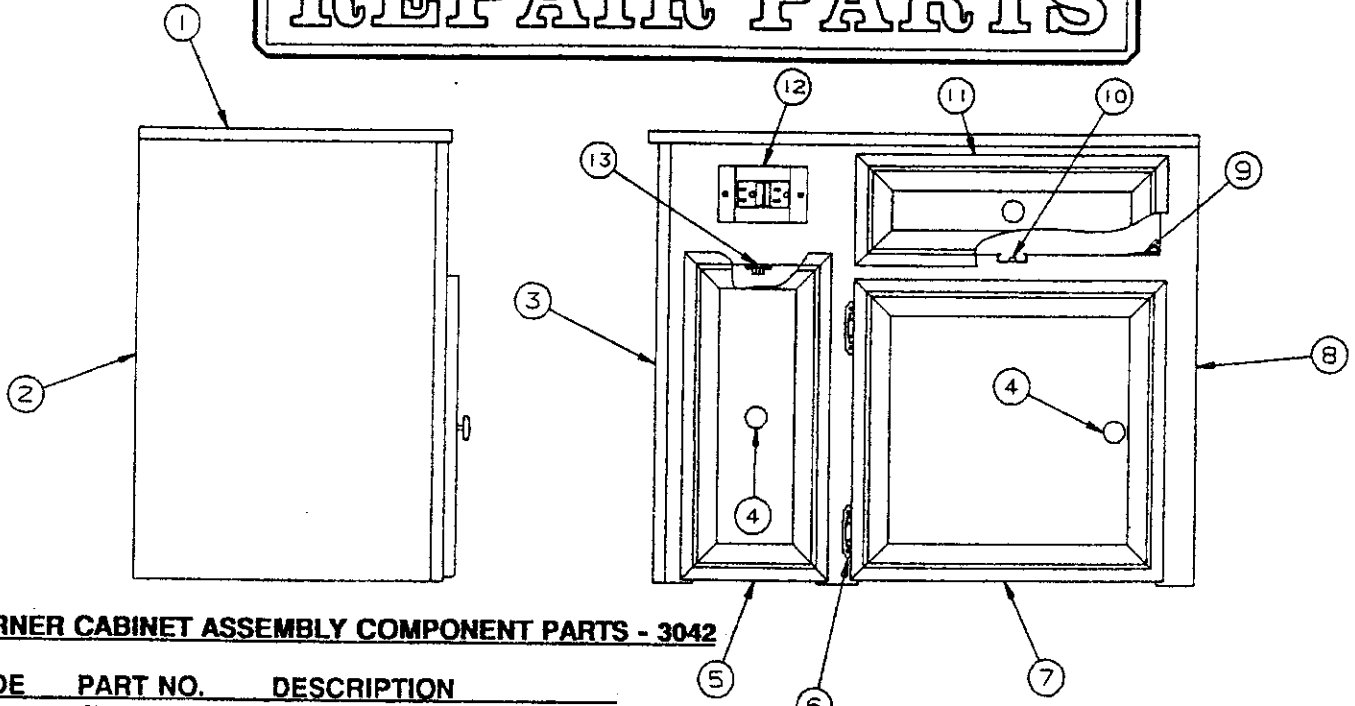
CODE	PART NO.	DESCRIPTION			
1	4753A2381	Cabinet top 3041	7	4753-1391	Drawer slide 19 1/2" (must cut to size)
	4060500084F	T-Molding (sold/foot)		4738-3088	Screw x2
2	4745C26188	Hinge (self closing)	8	4716-1411	Drawer corner roller, M2
3	4748A3951	Door pull (includes screw)	9	4716B0151	F-Channel 24" pc
4	4752-6971	Door panel	10	4752-6881	Door panel
5	4753A296	Cabinet side	11	4753-297	Cabinet front
6	4752-6931	Drawer assembly	12	4710B3551	15 AMP Receptacle w/cover (br)

CORNER CABINET ASSEMBLY COMPONENT PARTS - 3082

CODE	PART NO.	DESCRIPTION			
1	4752-9401	Cabinet top	6	4716B0151	F-Channel 24" pc.
	4060500084F	T-Molding (sold/foot)	7	4752-6881	Door panel
2	4745C26188	Hinge (self closing)	8	4752-938	Cabinet front
3	4748A3951	Door pull (includes screw)	9	4716-1411	Drawer corner roller M2
4	4755-5101	Door panel	10	4753-1391	Drawer slide 19 1/2" (must cut to size)
5	4752-939	Cabinet side		4738-3088	Screw x2
			11	4753-5401	Drawer assembly



REPAIR PARTS



CORNER CABINET ASSEMBLY COMPONENT PARTS - 3042

CODE	PART NO.	DESCRIPTION
1	4752-9171	Cabinet top
	4060500084F	T-Molding (sold/foot)
2	4752-919	Cabinet side
3	4716B0151	F-Channel 24" pc.
4	4748A3951	Door pull (includes screw)
5	4753-6421	Sliding pantry
	4752-3871	Metal slide track
6	4745C26188	Hinge (self closing)
7	4752-6881	Door panel

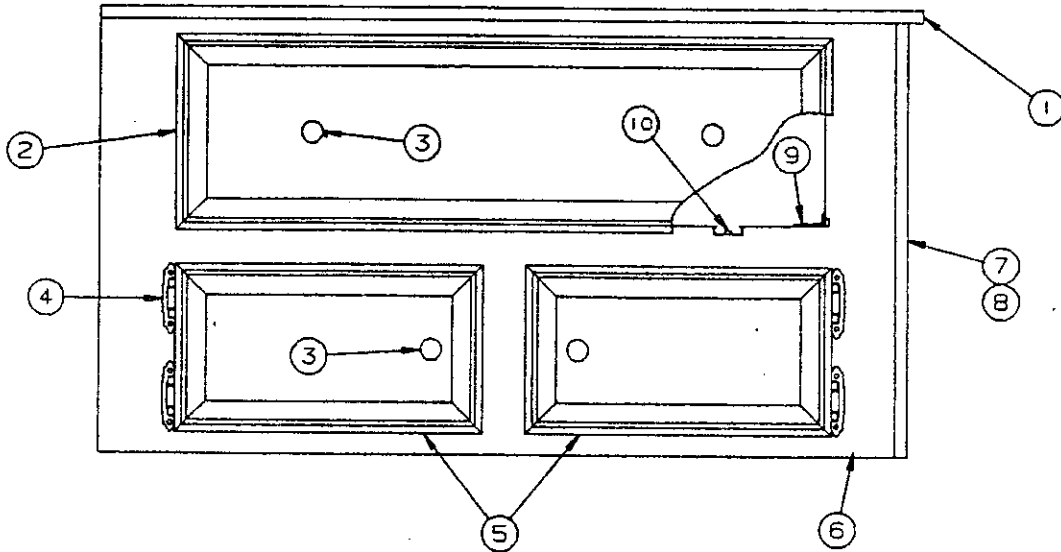
8 *	4752-918	Cabinet front
**	4752A918	Cabinet front
9	4716-1411	Drawer corner roller M2
10	4753-1391	Drawer slide 19 1/2" (must cut to size)
	4738-3088	Screw x2
11	4753-5401	Drawer assembly
12	4746A3841	G.F.I. Receptacle (brown)
13	4744A9261	Knuckle latch
	4738-3088	Screw x2

CORNER CABINET ASSEMBLY COMPONENT PARTS - 3090

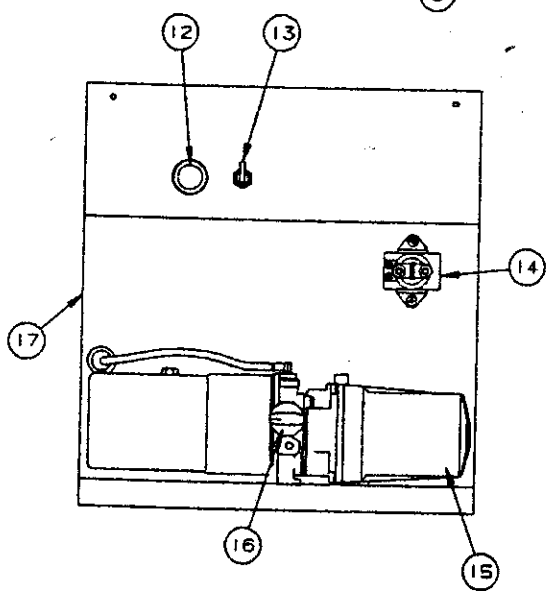
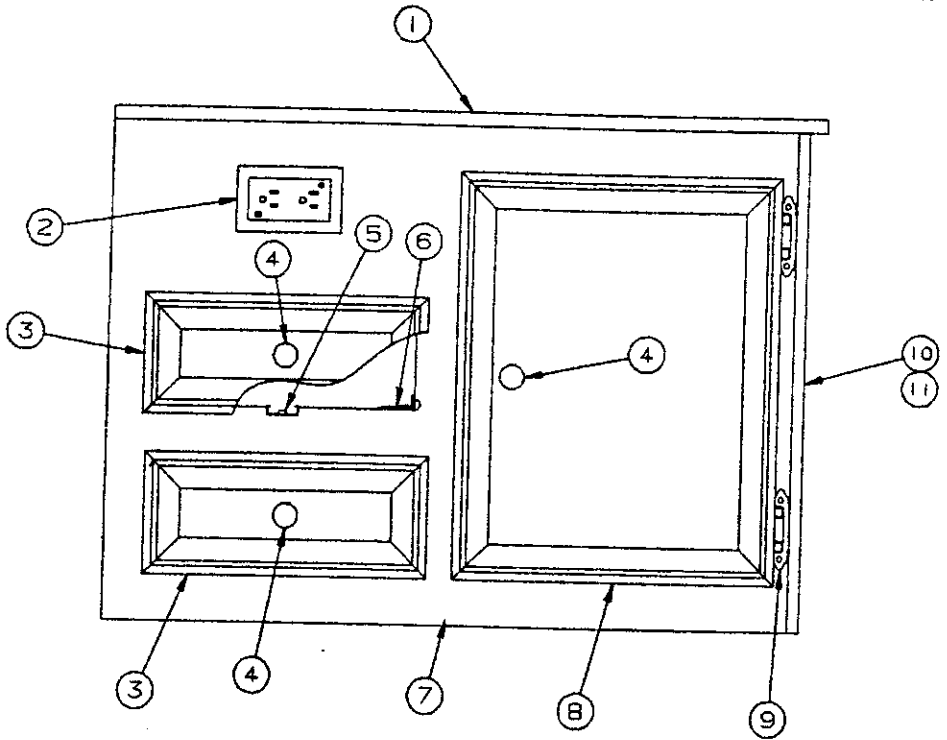
* Used on trailers prior to 2/1/96
 ** Used on trailers after 2/1/96

CODE	PART NO.	DESCRIPTION
1	4753-2741	Cabinet top
	4060500084F	T-Molding (sold/foot)
2	4753-5451	Drawer assembly
3	4748A3951	Door pull (includes screw)
4	4745C26188	Hinge (self closing)
5	4753-6521	Door panel x2

6	4753-277	Cabinet front
7	4716B0151	F-Channel 24" pc.
8	4753-276	Cabinet side
9	4716-1411	Drawer corner roller M2
10	4753-1391	Drawer slide x2
	4738-3088	Screw x2



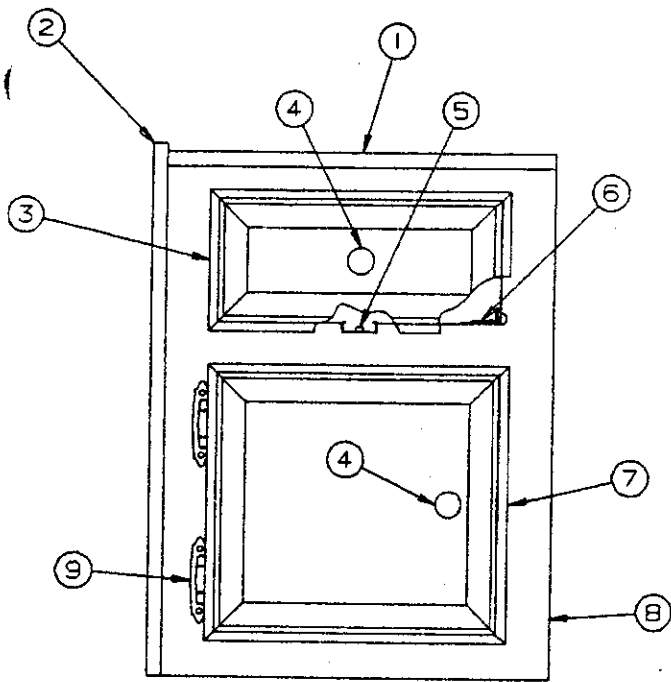
1996 GRAND TOUR SERIES



CORNER CABINET ASSEMBLY COMPONENT PARTS - 3095

CODE	PART NO.	DESCRIPTION
1	4753-2381	Cabinet top 3095
	4060500084F	T-Molding (sold/foot)
2	4710B3551	15 AMP Receptacle (brown)
3	4752-6931	Drawer assembly x2
4	4748A3951	Door pull (includes screw)
5	4753-1391	Drawer slide 19 1/2" (must cut to size)
	4738-3088	Screw x2
6	4716-1411	Drawer corner roller, M2
7	4753A209	Cabinet front 3095
8	4755-5991	Door panel 3095
9	4745C26188	Hinge (self closing)
10	4716B0151	F-Channel 24" pc
11	4753A208	Cabinet side
12	4751C835	Push pull release cable
13	4716-1681	Toggle switch
14	4716-1661	12 Volt solenoid
15	4751B3371	Hydraulic pump
16	4716-1671	Pump knob
	1202B8528	Washer
17	4753-884	Pump shelf

REPAIR PARTS

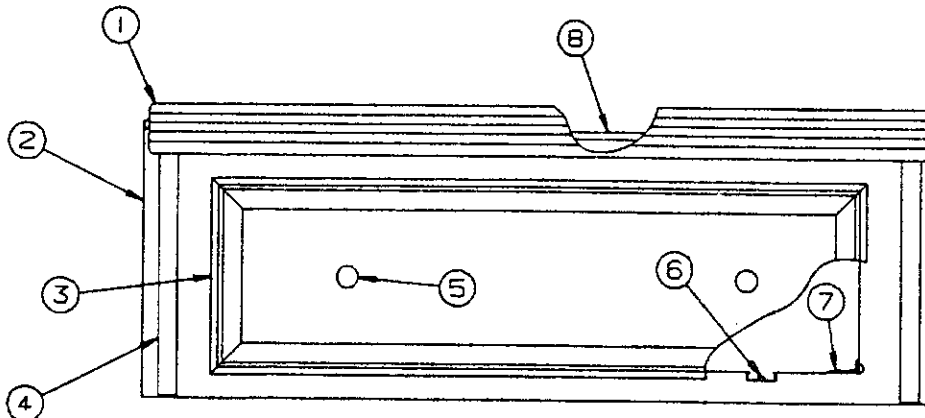


ROADSIDE CENTER CABINET COMPONENT PARTS - 3041

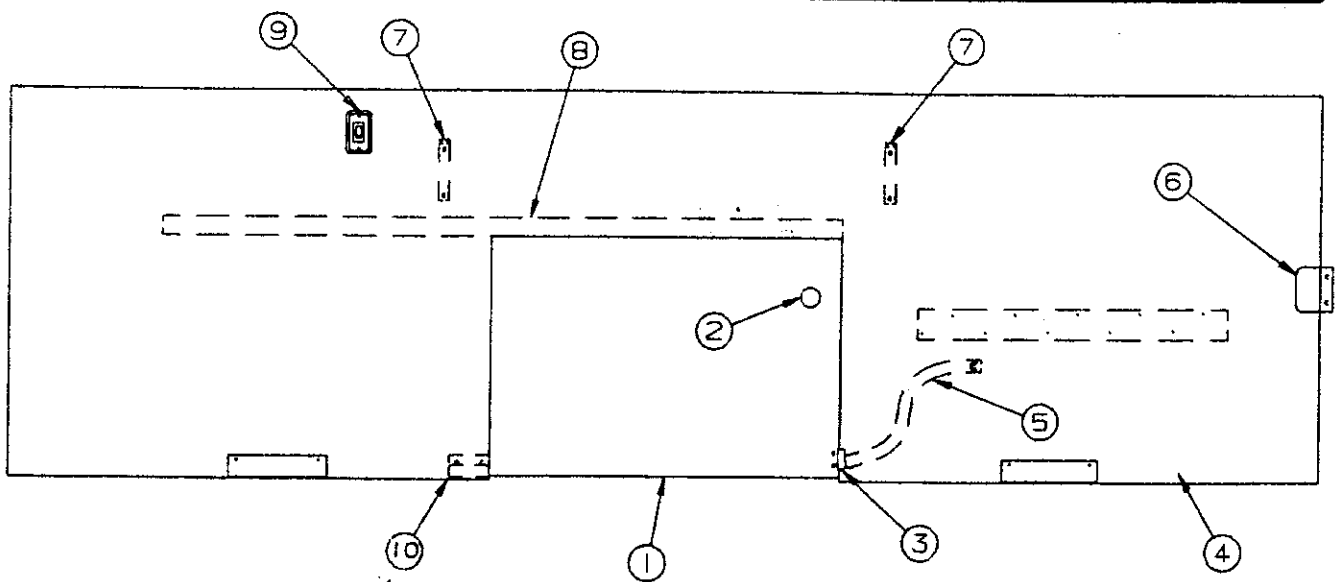
CODE	PART NO.	DESCRIPTION
1	4753-2571	Cabinet top
	4060500084F	T-Molding (sold/foot)
2	4752-9111	Seat gazoodi
3	4752-6931	Drawer assembly
4	4748A3951	Door pull (includes screw)
5	4753-1391	Drawer slide 19 1/2 (must cut to size)
6	4716-1411	Drawer corner roller M2
7	4753-6581	Door panel
8	4753-305	Cabinet front
9	4745C26188	Hinge (self closing)

3092 - CENTER BENCH/SLIDEOUT BED COMPONENT PARTS: NOTE: LOCATED FRONT OF TRAILER 3092 ONLY

CODE	PART NO.	DESCRIPTION
1	4753A5501	Slideout bed
2	4752A478	Bench front
3	4753-5451	Drawer assembly
4	4753A552	Bed leg x2
	4752-0561	Cap Insert M2
	4744B4608	Rivet x2, M25
5	4748A3951	Door pull (includes screw)
6	4753-1391	Drawer slide package 19 1/2"
7	4716-1411	Drawer corner roller, M2
8	4753-067	Center seat board



1996 GRAND TOUR SERIES



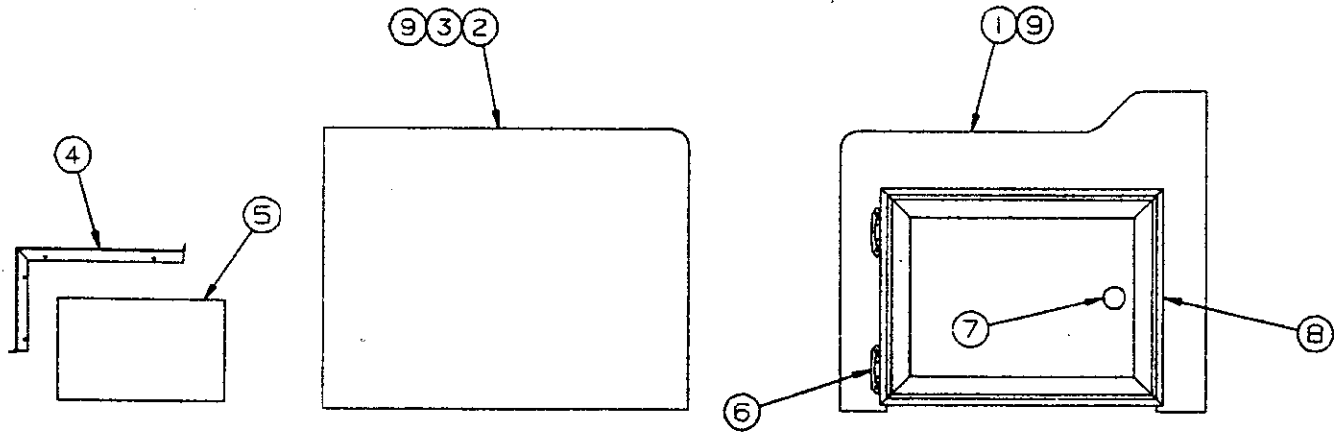
FRONT STORAGE WALL W/STORAGE DOOR - 3042, 3041, 3095

CODE	PART NO.	DESCRIPTION
1	4751D2691	Sliding door panel (all)
2	4748A3951	Door pull (includes screw)
3	4751-0901	Door catch
	4747B923	Rivet x2
4	4751D268	Front bulkhead 3042
	4751D2688	Front bulkhead 3095
	4753-864	Front bulkhead 3041
5	4753A639	Stove strap (all)
6	4753A255	Stove support bracket (all)
7	4753-291	Corner support bracket x2 (all)
8	4716-4021	Door slide track 48" pc.
9	4751-1161	"Lighted" rocker switch
	4739-0528	Screw x2
10	4754-2861	Door bracket package
		Includes - bracket, screws x2, screw caps & washers

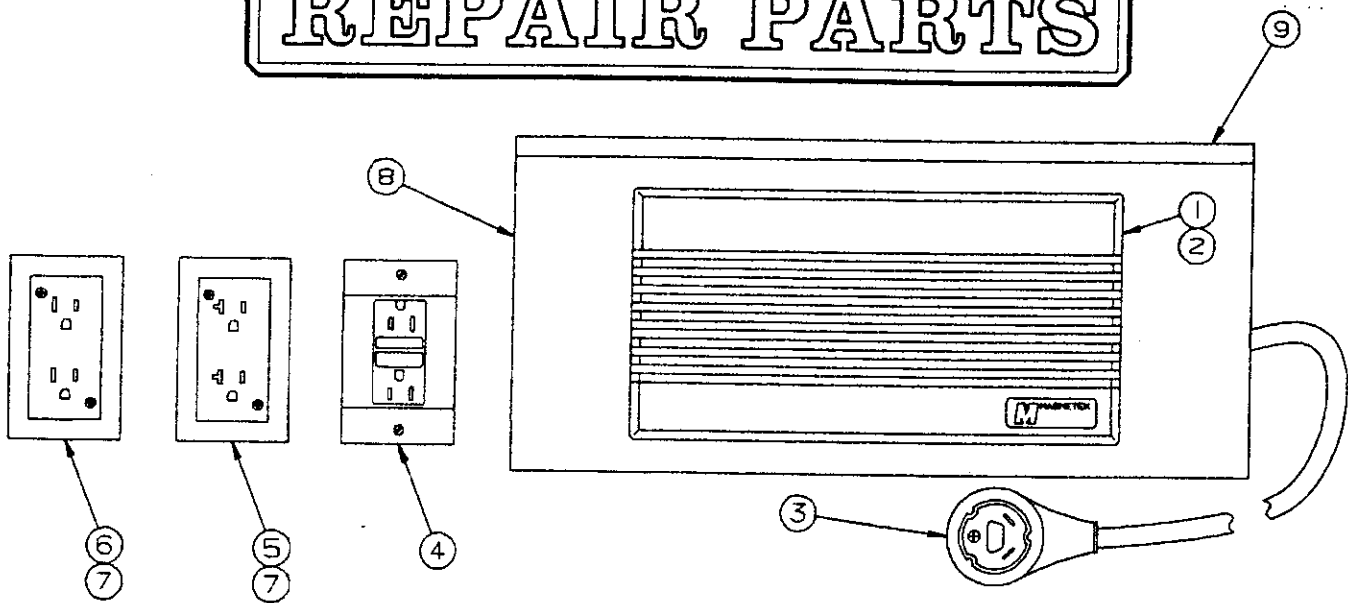
SEAT BENCH COMPONENT PARTS

NOTE: Refer to Page 19 for seat gazoodi

CODE	PART NO.	DESCRIPTION
1	4752B4771	Seat end 3092 only
2	4752-4711	Seat end curbside front 3090, 3092
	4752-9331	Seat end curbside front 3095
	4753-8911	Seat end roadside front 3082
3	4752-4751	Seat end curbside rear 3090, 3092
	4752-9041	Seat end curbside rear 3095 - roadside front 3042, 3041
	4753-8921	Seat end roadside right rear, 3082
4	4748C803	Wheel well cover 3082 only
5	4749C804	Wheel well cover wood 3082 only
6	4745C26188	Hinge (self closing)
7	4748A3951	Door pull (includes screw)
8	4752A6351	Door panel 3092 only
9	4060450001F	1/2" Lipped T-Molding "elm" (sold/foot)



REPAIR PARTS



CONVERTER AND RELATED PARTS

CODE	PART NO.	DESCRIPTION
1	4742A9811	Converter, 12 AMP (trailers without hot water)
	4750A1111	Converter, 20 AMP (trailers with hot water)
	4753-8201	Converter (3095 only)
2	4716-1301	Converter face cover (plastic)
3	4744-3101	Power cord 30 ft. (all)
4	4746A3841	Ground fault receptacle w/cover (brown)
5	4744-3081	20 AMP Receptacle w/cover (brown)
6	4710B3551	15 AMP Receptacle w/cover (brown)
7	4746A3851	Receptacle box
8	4753A1558	Converter box front (3090, 3092, 3095)
9	4753B1541	Converter box top (3090, 3092, 3095)

NOTE: Must cut top to size where applicable

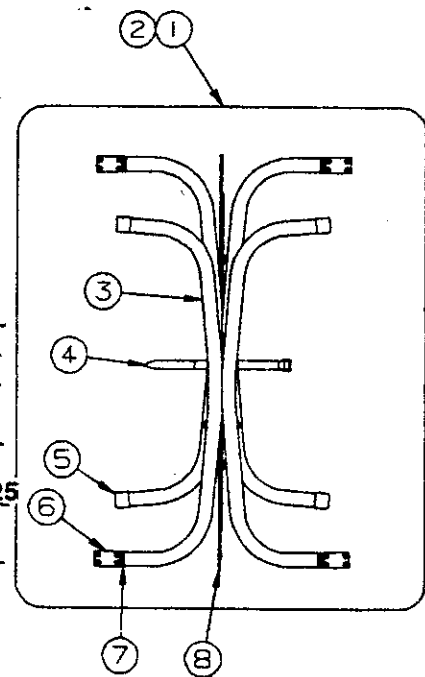
To order service parts for converters please write or phone:

**Customer Service Department
MAGNETEK INC.
721 North Webster Street
Kokomo, IN 46901**

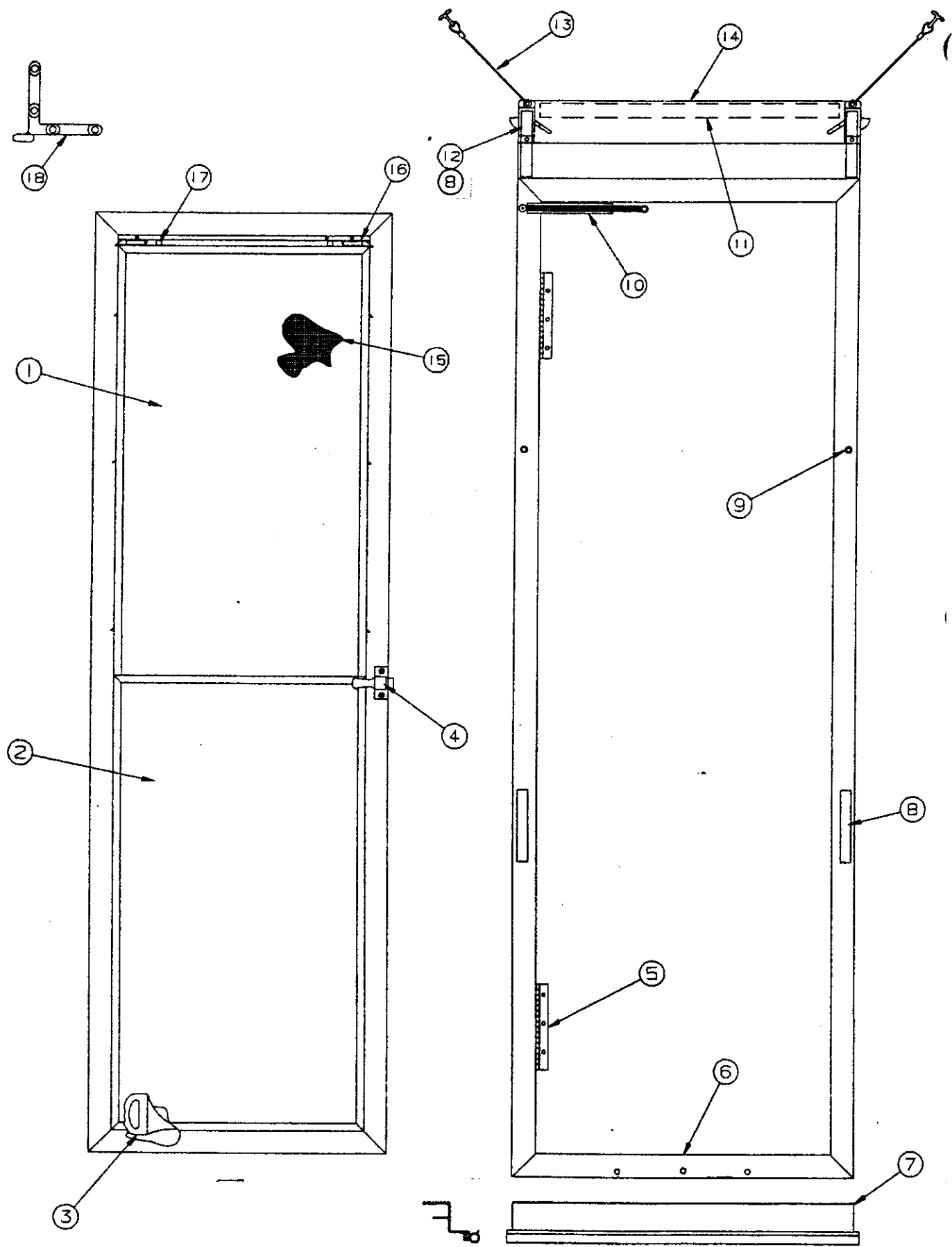
Phone: 219/356-7101

DINETTE TABLE ASSEMBLY COMPONENT PARTS

CODE	PART NO.	DESCRIPTION
1	4752-9241	Table top 3042, 3082, 3095, 3041
	4752B1341	Table top 3090, 3092
2	4060500084F	T-Molding (sold/foot)
3	4745D52781	Table leg package "elm" NOTE: Table leg package includes 2 pair or legs and all the hardware required for mounting to table top.
4	4751A9711	Table leg strap package (includes screw & washer)
5	4752-0551	White plastic cap M2
6	4720E1211	Table leg mounting bracket M2
	1103B101F	5/8" Wood screw (x4 per bracket)
7	4752A0561	Table leg insert cap M2
	4747-2558	Expansion rivet (rivet mounting bracket to insert cap)M25
8	4720A1501	Lock brace assembly
	1103B101F	5/8" Wood screw (x4 per brace)



1996 GRAND TOUR SERIES



REPAIR PARTS

SCREEN DOOR AND JAMB ASSEMBLY COMPLETE (4739L6681)

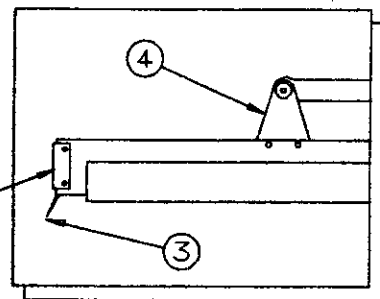
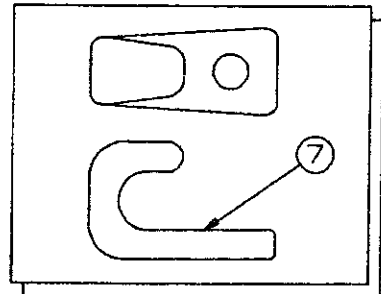
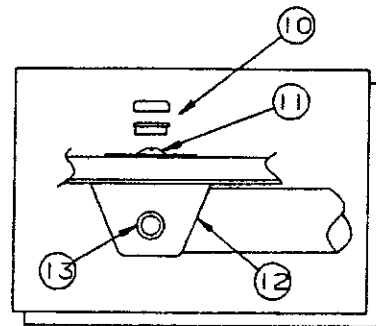
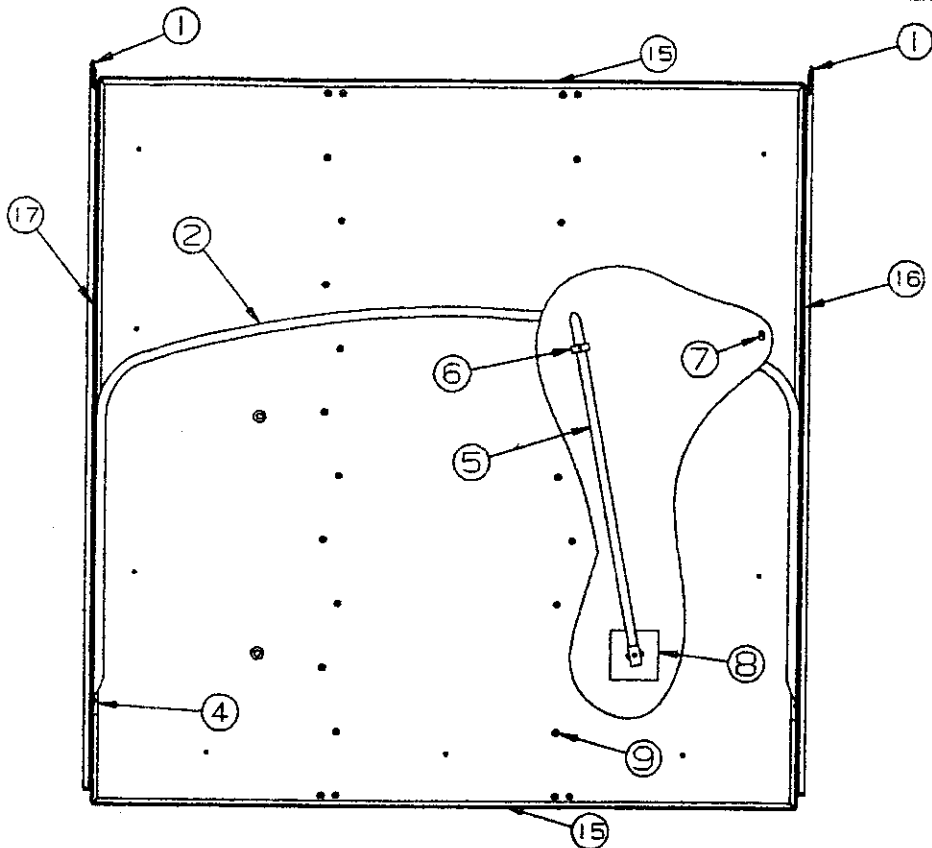
NOTE: SCREEN DOOR OR JAMB NOT SOLD SEPARATELY

NOTE: Screen door & jamb assembly will not include parts marked with (*) asterisk

SCREEN DOOR & JAMB COMPONENT PARTS

CODE	PART NO.	DESCRIPTION
1	4716C3401	Top sliding window pane
2	4716C3411	Sliding window pane
3	4750-3591	Rubber seal (sold/foot)
4	* 4742-9671	Door latch assembly
5	4720C3601	Hinge x2
	1203-8641	Rivet, M25
6	4710L4098	Bottom lintel
7	* 4747A5621	Screen door support
	* 4060000399F	Rubber seal (sold/foot)
8	* 4350000005F	3/4" Velcro hook (sold/yard)
	* 4350000012F	3/4" Velcro loop (sold/yard)
9	4730A3548	Stud w/screw x2
10	4731A8201	Spring package
		NOTE: Spring package includes rivets x2, spring, transparent tube
11	4060000400F	D-Seal (sold/foot)
12	4741-8658	Sash lock x2
	4747A9231	Rivet, M25
	1202B2698	Washer
	4733-3398	Plastic spacer
13	4734E5211	Cable assembly, M2
14	4753-4501	Top bracket
	1203-8641	Rivet, M25
15	4716-1111	Screening 36" x 18 1/2"
16	4710-382	Window lock "right"
	4710-383	Spring
	1203-8558	Rivet x2, M25
17	4710-381	Window lock "left"
18	4710-3791	Corner brace hinge, M2

1996 GRAND TOUR SERIES

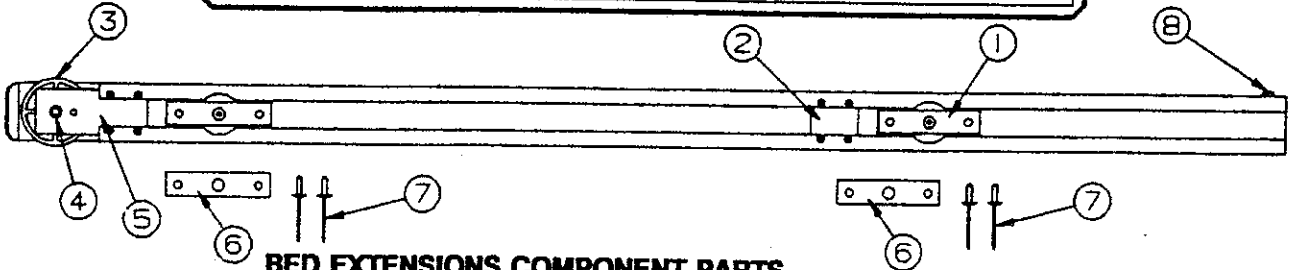


BED ASSEMBLIES - GRAND TOUR SERIES

MODEL	PART NO.	DESCRIPTION
3082,90,92	4755-51681	Front Bed (queen)
3042,82	4755-5141	Rear Bed (double)
3042	4755-5171	Front Bed (queen)
3090,92,41,95	4755-5151	Rear Bed (queen)
3041,95	4755-5201	Front bed (queen)

CODE	PART NO.	DESCRIPTION
1	NOTE: Refer to bed extension chart opposite page	
2	4714B1901	Tent bow & leg package
3	4060400339F	Vinyl bed seal (sold/foot)
4	4720G5631	Bed bow bracket x2 (all)
	1014B1006	Screw
5	4734E5881	Bed leg assembly x2
	4753-3811	Bed leg assembly (used on 4755-51681, 4755-5171, 4755-5201, 4744-5141)
6	4720C0771	Bed leg clip, M4
	1203-8831	Rivet, M25
7	4720D4021	Lashing hook, M6
	1203-8741	Rivet, M25
8	4737A4178	Support plate
9	1203C8721	Rivet, M25
10	4739C2908	Screw cap
	4739-2918	Screw cap washer
11	4716-074	Screw
	1202B2528	Washer
12	4734A5141	Bed leg bracket
13	4720A2361	Rod & pal nut
14	4753-8541	Corner angle x4
	1203-8641	Rivet, M25
15	4753-4001	Front & rear bed frame (all)
16	4753-4131	Side rail curbside rear & roadside front (all except 3042, 3082)
	4753-4061	Side rail curbside (3042, 3082 only)
17	4753-4121	Side rail curbside front & roadside rear (all except 3042, 3082)
	4753-4051	Side rail roadside (3042, 3082 only)

REPAIR PARTS



BED EXTENSIONS COMPONENT PARTS

CODE	PART NO.	DESCRIPTION
1	4720C5621	Roller assembly x2
2	4731A1291	Roller stop
	4749-4578	Rivet x4 M25
3	4720B0831	Nylon wheel
4	4731A1288	Shoulder rivet, M25
5	4741-9191	Rivet plate
	4749-4578	Rivet x4, M25
6	4731-4711	Roller spacer x2
7	1203-8651	Rivet, M25 (extension to bed frame)
8	4733-4118	Tek screw
	1202B0268	Washer

BED EXTENSION CHART - GRAND TOUR SERIES

Bed Extensions for Rear Bed Assembly

Bed Extensions for Front Bed Assembly

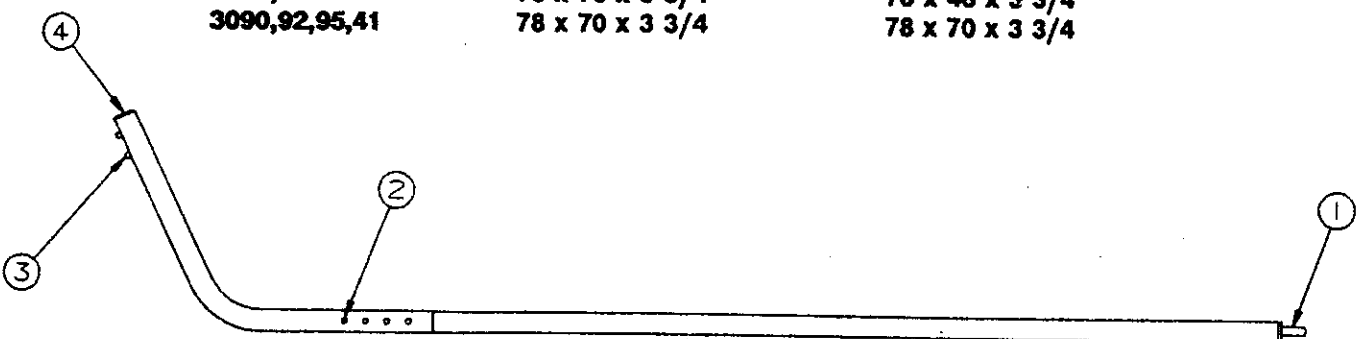
Model	<u>Curbside</u>	<u>Roadside</u>	Model	<u>Curbside</u>	<u>Roadside</u>
3090,92,41,95	4755-5111	4755-5111	3082,90,92,95,41	4755-5121	4755-5111
3042,82	4739D6191	4739D6191	3042	4755-5131	4755-5111

MATTRESS ASSEMBLIES & COVERS:

	Front Mattress		Rear Mattress	
	Assembly	Cover	Assembly	Cover
3042, 3082	4748D6241	4716D6241	4748D6231	4716D6231
3090, 3092, 3041	4753-6121	4716-6121	4753-6121	4716-6121
3095	4748D6241	4716D6241	4748D6241	4716D6241

REFERENCE DIMENSIONS

	<u>FRONT MATTRESS</u>	<u>REAR MATTRESS</u>
3042,82	78 x 70 x 3 3/4	78 x 48 x 3 3/4
3090,92,95,41	78 x 70 x 3 3/4	78 x 70 x 3 3/4



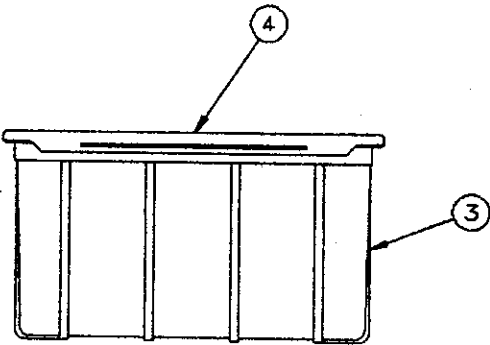
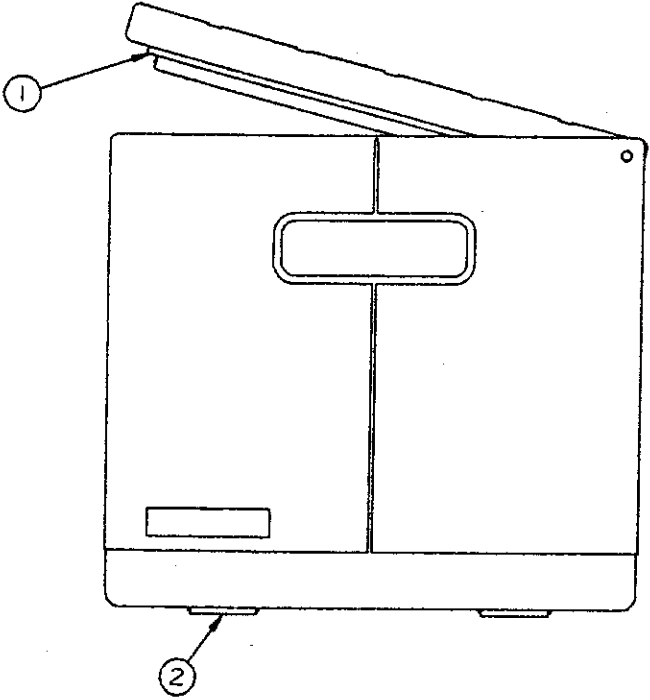
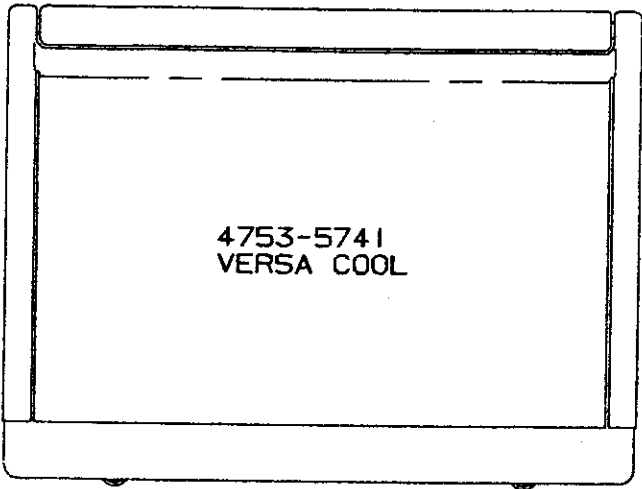
COMPONENT PARTS

TENT SUPPORT ASSEMBLIES (complete)

CODE	PART NO.	DESCRIPTION
1	8470-1728	Pole pin, blue x1 M10
2	4734-6708	Spring assembly x1
3	4734A6708	Spring assembly x1
4	4730B4648	Tube closure x1
	4733-4118	Tek screw x1

MODEL	FRONT BED	REAR BED
3042,82	4741F5581	4741E5591
3090,92,95,41	4741F5581	4741F5581

1996 GRAND TOUR SERIES

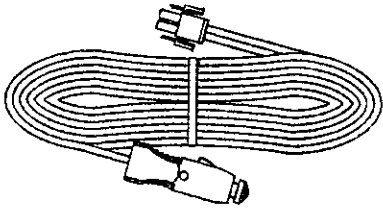


4753-5741 VERSACOOL COOLER COMPONENT PARTS

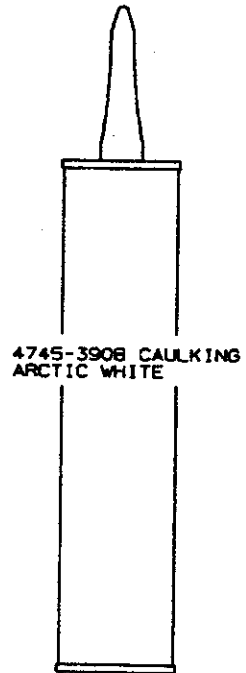
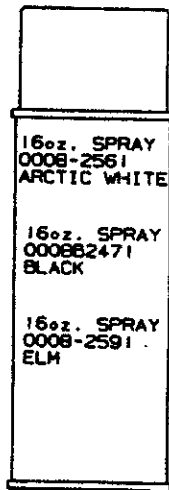
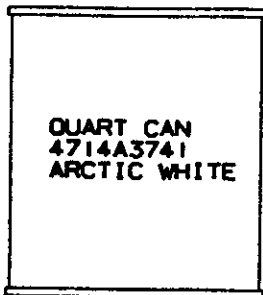
NOTE: COOLER LID NOT SOLD SEPARATELY

CODE	PART NO.	DESCRIPTION
1	4060000403F	1/4" Foam gasket (sold/foot) 7' required
2	4752-4891	Cooler wheel x4
	4730C128	Support rod x4
	1201B7078	Pal nut x8
3	4753-0851	Ice tub w/out lid
4	4753-0861	Ice tub lid

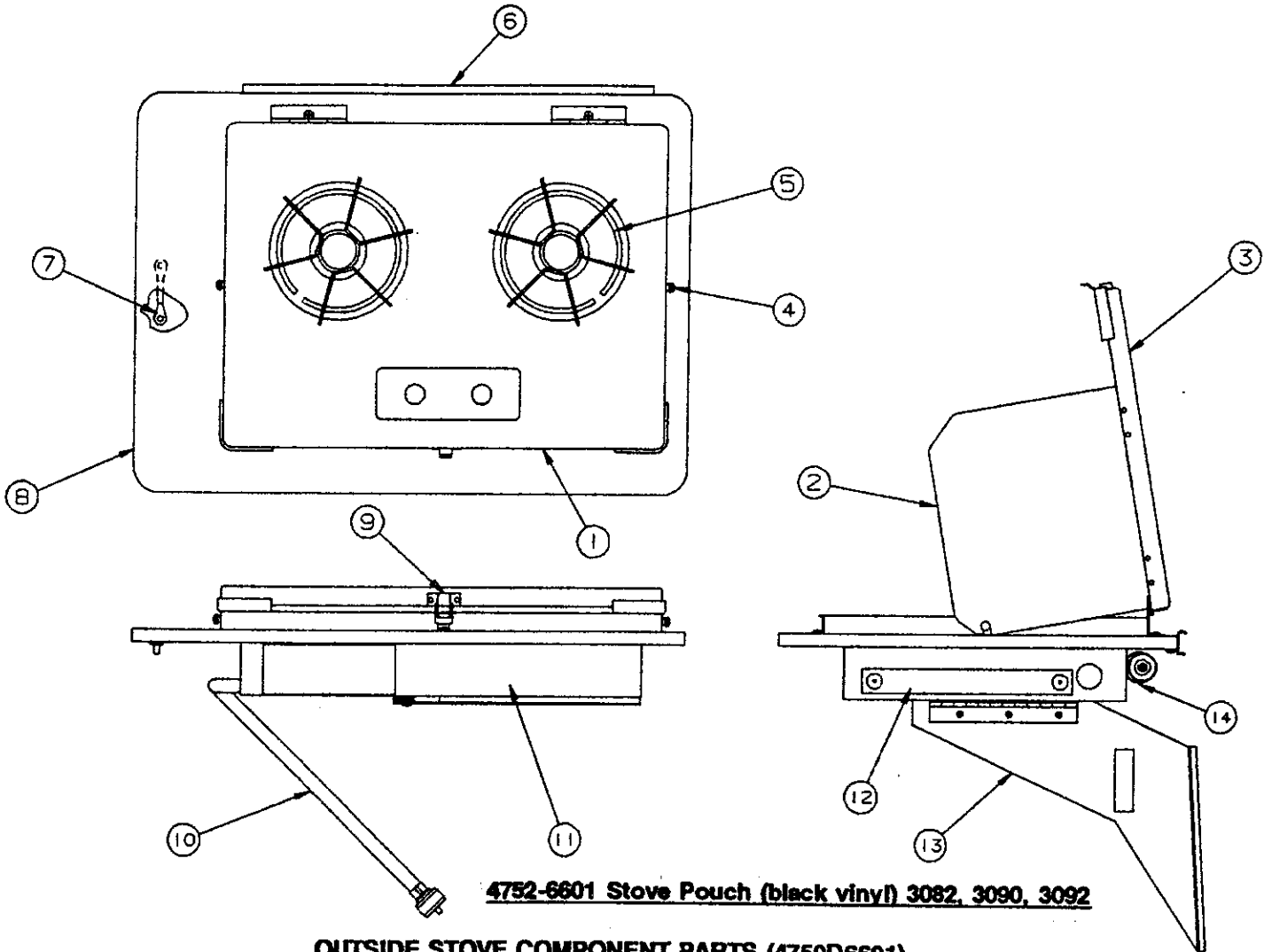
**4733C6701
AUTO EXTENSION**



**4716-4701
12 VOLT
CAP & PLUG PKG.**



REPAIR PARTS

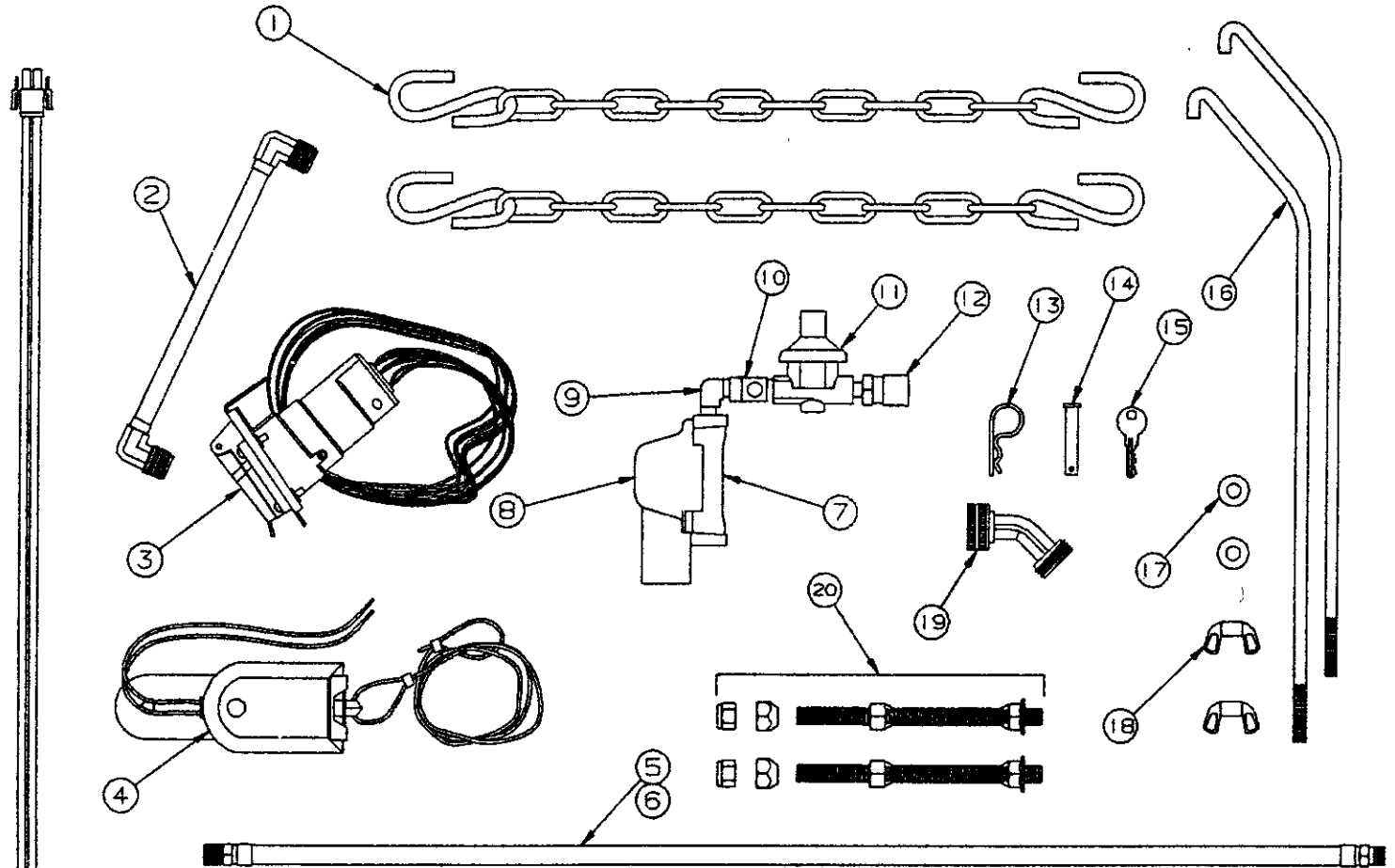


4752-6601 Stove Pouch (black vinyl) 3082, 3090, 3092

OUTSIDE STOVE COMPONENT PARTS (4750D6601)

CODE	PART NO.	DESCRIPTION
1	4746-9491	2 Burner stove top
2	4749B99381	Stove fin x2
3	4749B66081	Stove cover
	4742-9538	H.P. decal
4	4716A0881	Thumb screw x2, M6
5	4716-1851	Grate x2
6	4754-0471	Stove support bracket
	4716-068	Screw "countersunk head" x4
	1103B0808	Screw x5
7	4733A4511	Steel loop, M2
	1103B0808	Screw x2
8	4746C9391	Counter top
9	4733-4018	Latch
	4733-4028	Latch strike
10	4746-9891	Gas hose
11	4746-9481	Stove box
12	4742-8971	Stove strap handle
	1203-8641	Rivet x2, M25
	1202B2698	Washer x2
13	4746-9221	Outside stove flap
14	4734-2431	Gripper clip, M4

1996 GRAND TOUR SERIES



PARTS PACKAGE (COMPLETE) "GRAND TOUR SERIES"

4750A6131 Parts Package, 3042, 3082, 3092, 3041

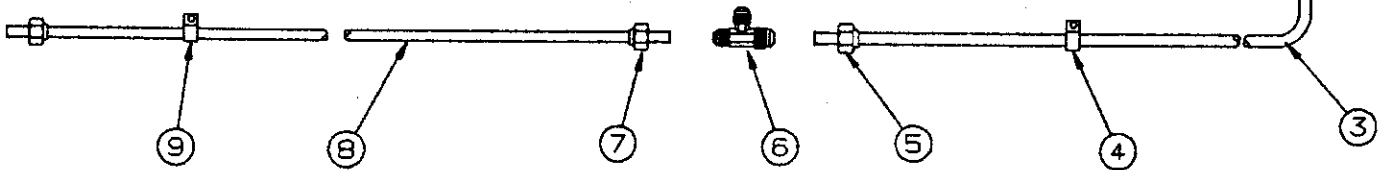
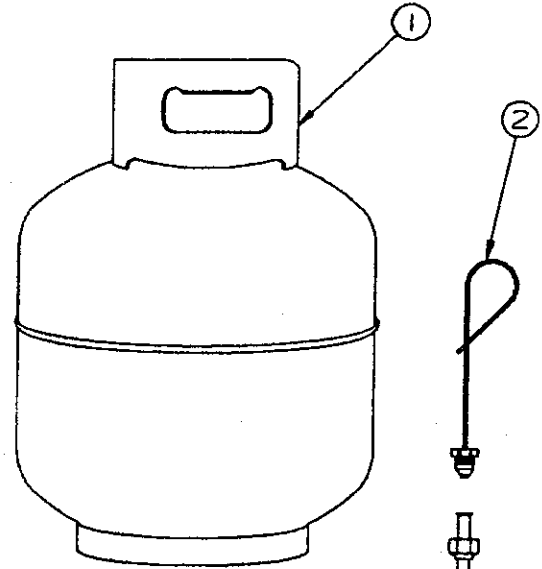
4750B6111 Parts Package, 3090, 3095

CODE	PART NO.	DESCRIPTION
1	4749A9601	29" Tow chain, M2 (all)
2	4746-5381	Winterizing adapter (3090, 3095)
3	4746-5591	Pigtail "Bargman"
4	4746-0401	Break-a-way switch (3090, 3095)
5	4737-8871	Gas hose, low pressure (w/hot water)
6	4733A3991	Gas hose low pressure (w/o hot water)
6	4742-8081	Gas hose, high pressure - 1/4"x3/8"x30"
7	4742-8051	Regulator "low pressure"
8	4746-4231	Regulator cover (plastic)
9	4742-8031	Brass elbow
10	4739-6998	Brass tee
11	4742-8041	High pressure regulator
12	4737-9308	POL Adapter
13	4732A4791	Pin, M10
14	4771-2631	Hitch pin, M5
15	4730A3211	Key, M10
16	4733F6281	Gas bottle mounting bracket package
NOTE: (Package includes wing nuts & washers)		
17	1202B0468	Washer x2
18	1201-6258	Wing nut x2
19	4744-2651	Goose neck (3090, 3095)
20	4741A5791	Spare tire mount kit (all)
21	4749A5531	Wire harness w/circuit breaker
22	4751-4811	15 AMP Circuit breaker

REPAIR PARTS

GRAND TOUR SERIES GAS SYSTEM & RELATED PARTS

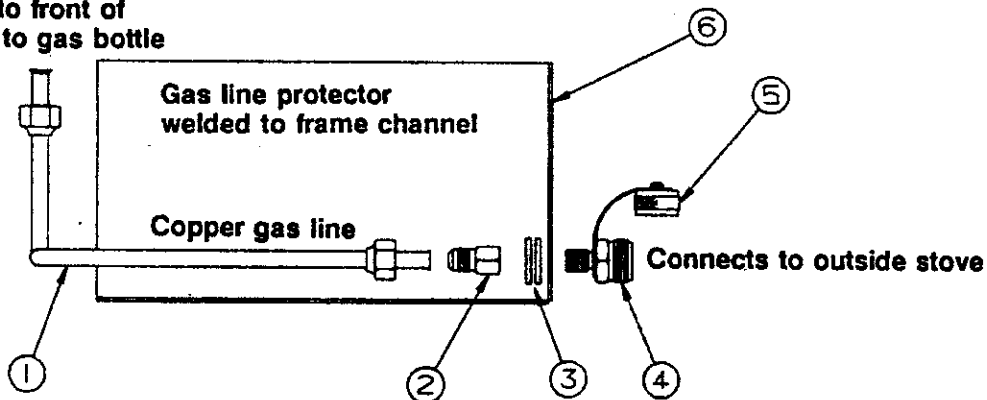
CODE	PART NO.	DESCRIPTION
1	4720J5928	Gas bottle (arctic white)
2	4737-8388	1/2" Plastic cap & chain
	4733A3888	3/8" Plastic cap & chain
3		1/2" Copper gas line for 3090, 3095 (purchase locally)
4	1201-8738	1/2" Clamp - "rubber coated"
5	1215-2438	Flare nut 1/2"
6	1215-1788	Brass tee- 1/2" x 3/8" x 3/8"
	1215-1778	Brass tee 3/8" x 3/8" x 3/8" 3042, 3082, 3092, 3041
7	1215-2418	Flare nut 3/8"
8	4714-0711	Copper gas line assembly (100")
9	1201-8708	3/8" Clamp - "rubber coated"



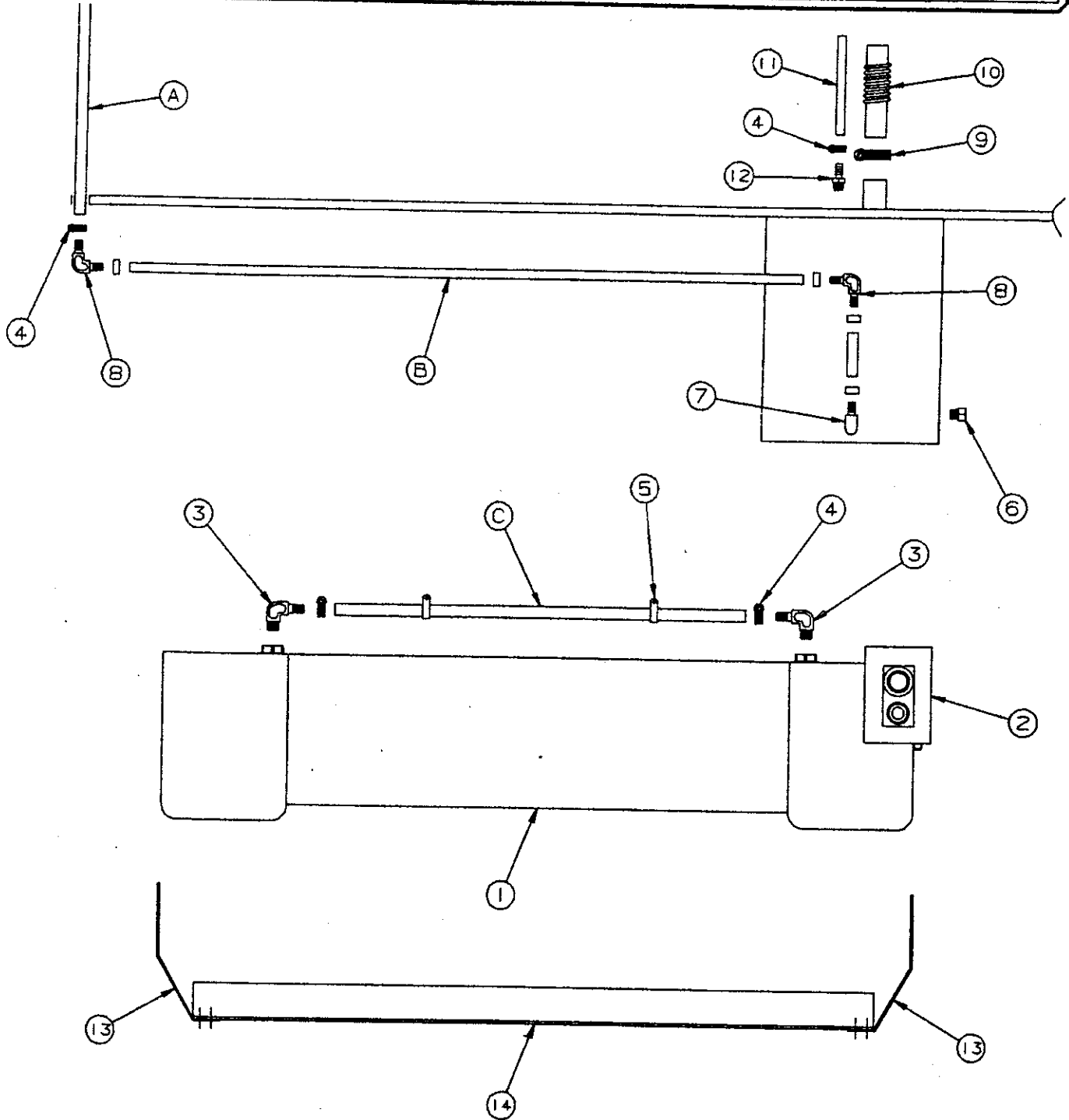
OUTSIDE STOVE GAS LINES AND COMPONENTS

CODE	PART NO.	DESCRIPTION
1	4714-0721	110" Copper gasline
		NOTE: Gas line includes flare nuts
	1215-2418	Flare nut
2	4742-8061	Female coupling
3	1202B1068	Washer x2
4	4739-6978	Cylinder adapter
5	4742-8071	Brass cap & strap
6	4742A8551	Gas line protector (all)

Runs to front of trailer to gas bottle



1996 GRAND TOUR SERIES

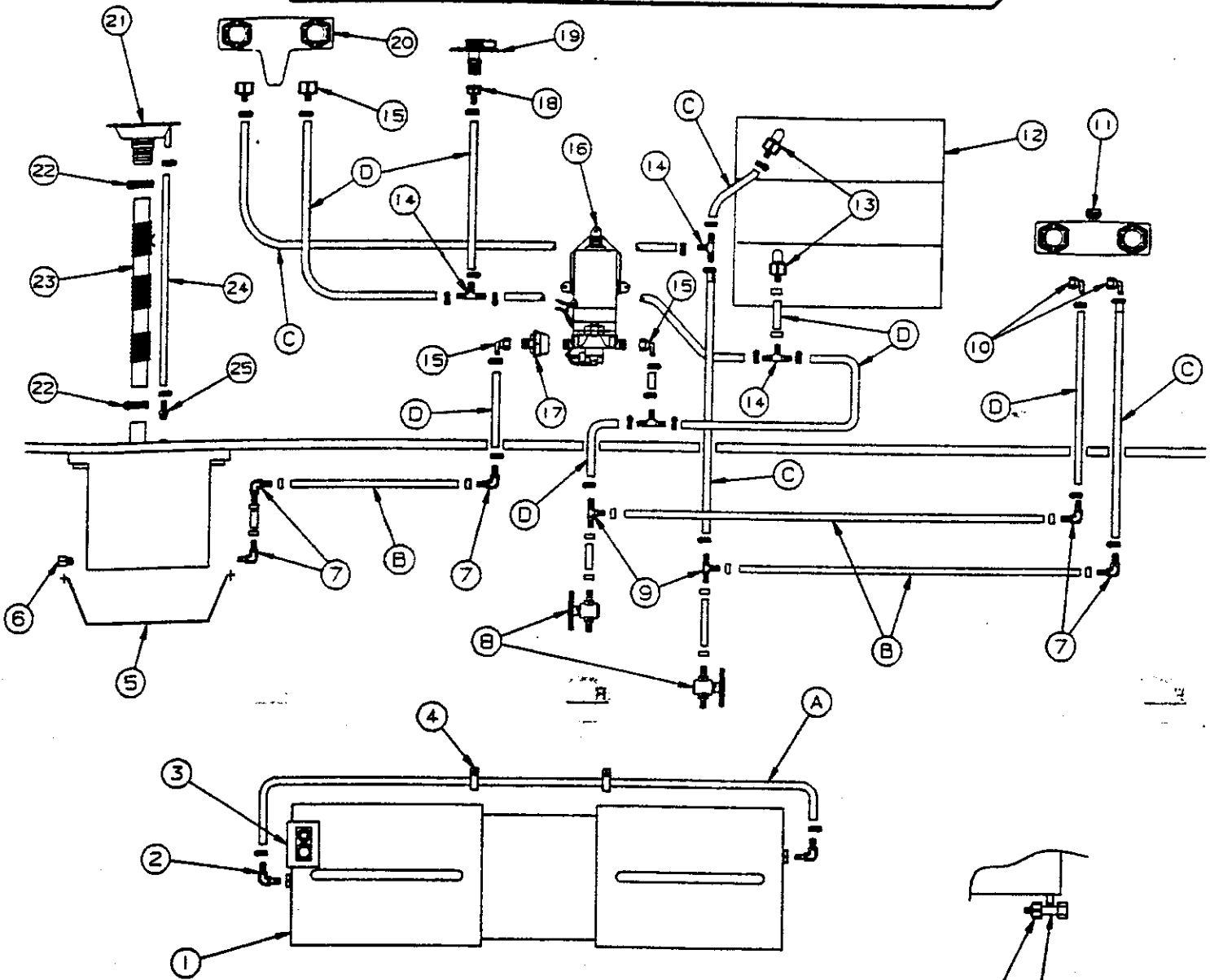


WATER SYSTEM & RELATED PARTS - 3042, 3082, 3092, 3041

CODE	PART NO.	DESCRIPTION
1	4748A8341	Water tank
	4060050008F	Foam tape (sold/foot)
2	4742A8631	Water tank gasket
3	4741A2378	Elbow
4	4731-3058	Adjustable hose clamp
5	1201-8658	Tube clamp
6	1218-700	Plug
7	4741-2378	Elbow
8	4741-2398	Barbed elbow
9	4715-4501	Adjustable hose clamp
10	4731H1081	Water fill hose 3' lengths
11	4060050003	1/2" H.P. Hose (sold/foot)
12	4732B4561	Adapter
13	4753-476	Water bottle bracket x2
14	4753-477	Water bottle angle x1

A	4714-038	3/8" I.D. H.P. hose (sold/foot)
B	4060050001	3/8" I.D. grey plastic tubing (sold/foot)
C	4060000051	1/2" I.D. transparent tubing (sold/foot)

REPAIR PARTS



WATER SYSTEM & RELATED PARTS 3090, 3095

CODE	PART NO.	DESCRIPTION
1	4753-4111	Water tank 3090
	4751A3101	Water tank 3095
2	4741A2378	Elbow 3090
3	4742A8631	Water tank gasket 3090, 3095
4	1201-8658	Tube clamp
5	4753-480	Water bottle hanger 3090
6	1218-700	Plug 3090
7	4741-2398	Barbed elbow
8	4741A2368	Line drain
9	4741-2388	Tee - 3/8" x 3/8" x 3/8"
10	4741-9068	Swivel elbow
11	4741B2071	Shower divider (both)
12	4750-3421	Water heater (both)
13	4716-2341	Barb. nut & seal package
14	1218-1508	Barbed tee 3/8" x 3/8" x 3/8"
15	4741-2351	Swivel elbow
16	4741C5571	Electric water pump
	4746-3778	Fuse holder (not shown)

17	4747A8311	Water filter
18	4741-9568	Female adapter
	1202-5828	Rubber washer
19	4732F1521	City fill
20	4745D2741	Mixer faucet
21	4731D1711	Water tank fill spout
22	4715-4501	Adjustable hose clamp 1 1/4"
23	4731H1081	Water fill hose 3' length
24	4060050003F	1/2" H.P. Hose (sold/foot)
25	4732B4561	Hose adapter
26	4751-3861	Drain tee 3095
	4751-3871	Tee nut cap 3095

A	4060000051	1/2" I.D. transparent tubing (sold/foot)
B	4060050001	3/8" I.D. grey plastic tubing (sold/foot)
C	4714-338	Hot water hose 3/8" I.D. (sold/foot)
D	4714-038	3/8" I.D. H.P. hose (sold/foot)

1996 GRAND TOUR SERIES

VALANCE PACKAGE

4716-5781	Valance Package, peach 3042
4716-6181	Valance Package, peach 3082
4716-6131	Valance Package, light blue 3090, 3092
4716-61381	Valance Package, dark blue 3090, 3092
4716A6451	Valance Package, peach 3095
4714-6981	Valance Package, light blue 3041
4714-69881	Valance Package, dark blue 3041

DRESSING ROOM CURTAIN PACKAGE

4749C79881	3090 Model light blue
4749C79861	3090 Model dark blue
4723R6781	3095 Model

SHOWER CURTAIN

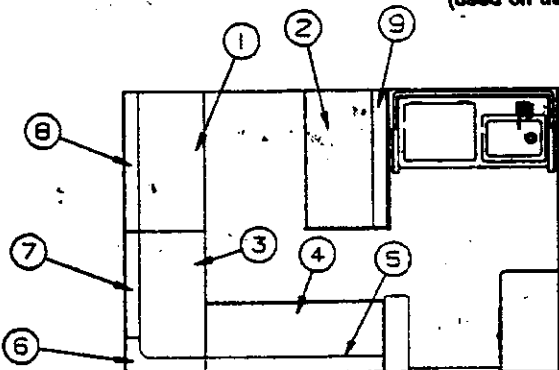
4749-6661	3090, 3095
4748-8161	Shower curtain clips, M10

CUSHION & BACKREST - 3041, 3042

CODE	PART NO.	DESCRIPTION
1	4753-5801	Cushion assembly 3042
	4714-5801	Cushion cover 3042
	4753-6621	Cushion assembly 3041
	4716-6621	Cushion cover 3041
2	4753-5811	Cushion assembly 3042
	4716-5811	Cushion cover 3042
	4753-6611	Cushion assembly 3041
	4716-6611	Cushion cover 3041
3	4751B6151	Cushion assembly 3042
	4716B6151	Cushion cover 3042
	4753-6651	Cushion assembly 3041
	4716-6651	Cushion cover 3041
4	* 4752A5311	Cushion assembly 3042
	** 4752B53181	Cushion assembly w/legs 3042
	* 4716A5311	Cushion cover 3042
	** 4716B53181	Cushion cover 3042
	* 4753-6671	Cushion assembly 3041
	** 4753A6671	Cushion assembly w/out legs 3041
	* 4716-6671	Cushion cover 3041
	** 4716A6671	Cushion cover 3041
5	* 4748E6291	Backrest assembly 3042
	** 4748F6291	Backrest assembly 3042
	* 4753-6681	Backrest assembly 3041
	** 4753A6681	Backrest assembly 3041
6	4751B6141	Corner backrest assembly 3042
	4753-6691	Corner backrest assembly 3041
7	4751B6161	Backrest assembly 3042
	4753-6661	Backrest assembly 3041
8	4751B6171	Backrest assembly 3042
	4753-6641	Backrest assembly 3041
9	4753-5821	Backrest assembly 3042
	4753-6631	Backrest assembly 3041

DETAIL A

*(used on trailers produced prior to 2/10/96)
 **(used on trailers produced after 2/10/96)



DRAPE & VALANCE PACKAGE - GRAND TOUR SERIES

Model	Drape Pkg
3042	4753-5781 (peach)
3082	4753-6181 (peach)
3090, 92	4753-6131 (light blue)
3090, 92	4753-61381 (dark blue)
3095	4753A6451 (peach)
3041	4753-6981 (light blue)
3041	4753-69881 (dark blue)

Component Parts

4750-2891 Drape Tab C-Shape M60

DRAPE TIE PKG (Qty 1)

4752A8141	Tieback, peach (3042, 3082, 3095)
4752A8151	Tieback, light blue (3090, 3092, 3041)
4752A81581	Tieback, dark blue (3090, 3092, 3041)

SINGLE DRAPE PANEL W/SAFETY STRAP

4716H0421	peach, large (3042, 3082, 3095) 48 x 45
4716G2221	peach, small (3042, 3082, 3095) 43 x 45
4716J0421	light blue, large (3090, 3092, 3041) 48 x 45
4716H2221	light blue, small (3090, 3092, 3041) 43 x 45
4716J04281	dark blue, large (3090, 3092, 3041) 48 x 45
4716H04281	dark blue, small (3090, 3092, 3041) 43 x 45

GRAND TOUR SERIES CUSHION & BACKREST ASSEMBLIES

NOTE: Backrest Cover not available due to button attachment.

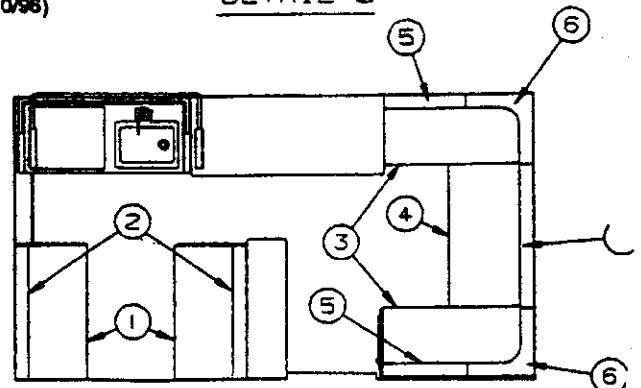
	CUSHION ASSEMBLY	CUSHION COVER	BACKREST ASSEMBLY	BACKREST COVER
3041, 3042	NOTE: See Detail "A" below for cushion & backrest			
3082, 3095	4753-5811	4716-5811	4753-6961	N/A
3090	4753-6031	4716-6031	4753-6061	N/A
3092	NOTE: See Detail "B" below for cushion & backrest			

CUSHION & BACKREST - 3092

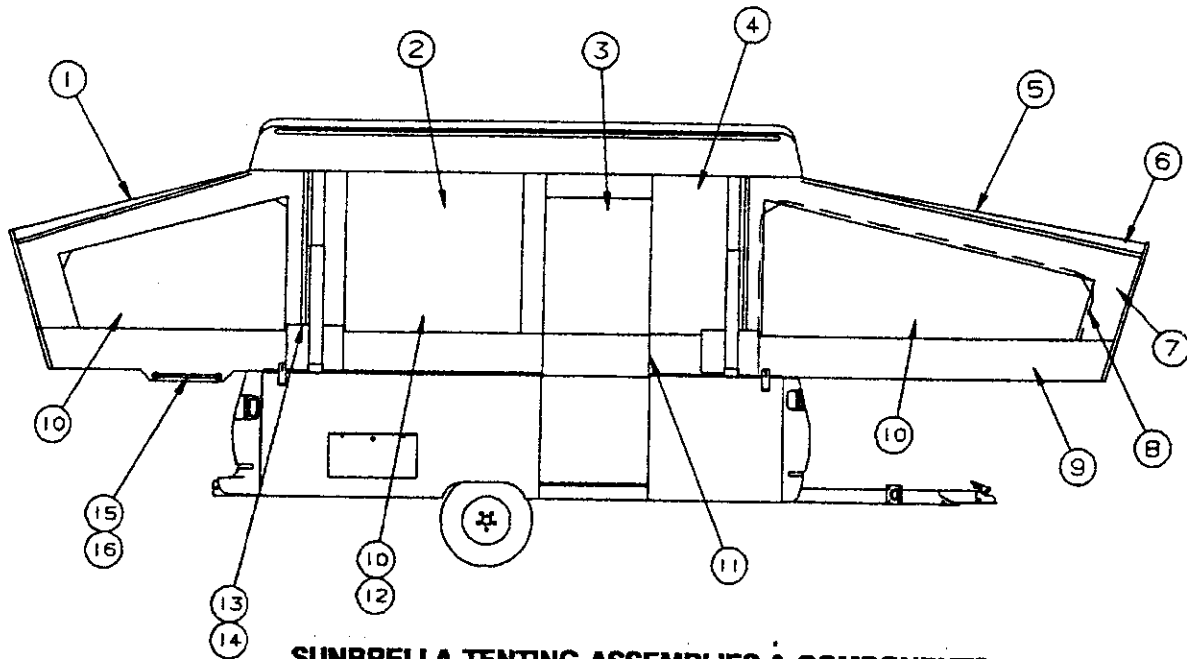
CODE	PART NO.	DESCRIPTION
1	4753-6031	Cushion assembly
	4714-6031	Cushion cover
2	4753-6061	Backrest assembly
3	4753-6021	Cushion assembly
	4714-6021	Cushion cover
4	* 4753-6041	Cushion assembly
	** 4753A6041	Cushion assembly
	4716-6041	Cushion cover
5	4753-6071	Backrest assembly
6	4753-6091	Corner backrest assembly
7	4753-6081	Backrest assembly

NOTE: *(used on trailers produced prior to 10/31/95)
 **(used on trailers produced after 10/31/95)

DETAIL B

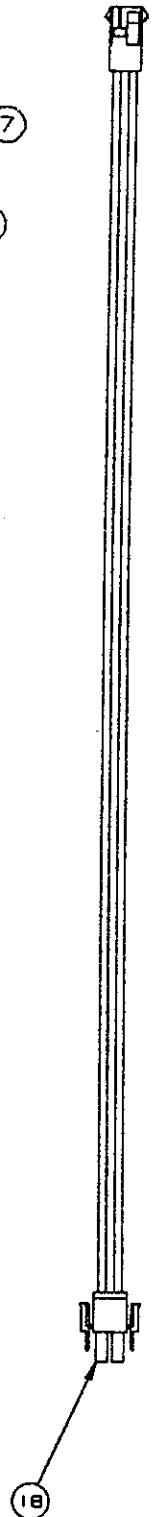
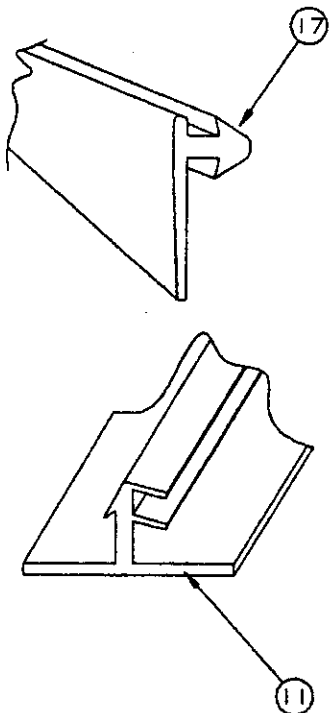


REPAIR PARTS



SUNBRELLA TENTING ASSEMBLIES & COMPONENTS

CODE	PART NO.	DESCRIPTION
1	4753-58791	Rear boot 3042, 3082
	4753-58691	Rear boot 3090, 3092, 3095, 3041
2	4753-59491	Small window 3042
	4753-59291	Small window 3082
	4753-58991	Small window 3090, 3092
	4753-64691	Small window 3095, 3041
3	4753-59191	Large window 3042, 3082
	4753-58891	Large window 3090, 3092, 3095, 3041
4	4753-59591	Door seal 3042
	4753-59391	Door seal 3082
	4753-59091	Door seal 3090, 3092
	4753-64791	Door seal 3095, 3041
5	4753-58691	Front boot (all)
6	8119901429	Top vinyl (sold/yard)
7	4716C0851	Sunbrella patch package (12" x 14")
8	6650500130F	Zipper (grey) around window (sold/yard)
	1225-4461	Zipper pull, M5
9	8116400001	Bottom vinyl facing (sold/yard)
10	4714E1611	Screen package (84" x 3 yards)
	4714A0361	Screen package (84" x 13 yards)
11	4753-8101	Rubber door seal 47" pc.
12	4716-2401	Clear window vinyl (41" x 2 yards)
13	1225G3768	Zipper pin half (grey) 45 1/2"
14	1225G3758	Zipper slider half (grey) 45 1/2"
15	4060000045F	1/4" Shock cord (sold/foot)
	4714B6021	Shock cord & crimps M2 (2-14' lengths)
16	4724-2011	Shock cord crimps, M10
17	4060000024F	Arrowhead seal (sold/foot)
18	4735B6721	Extension harness
19	4743-1588	K Kote seam sealer (not shown)
20	4728-5641	Tent retainer package (not shown)



1996 GRAND TOUR SERIES

GRAND TOUR SERIES TOP ASSEMBLIES (ARCTIC WHITE)

- 4753-5981 - Top assembly 3082 Laramie
- 4753-5971 - Top assembly 3042 Yukon
- 4753-5761 - Top assembly 3092 Sun Valley
- 4755-5191 - Top assembly 3090 Shenandoah
- 4753-6971 - Top assembly 3041 Key West
- 4753A6601 - Top assembly 3095 Niagara

CODE	PART NO.	DESCRIPTION
1	4750A9581	Top strike x4, M2
	4744A2461	Machine screw (x2 per strike) M2
	1201B6958	Keps nut (x2 per strike)
	1202E0408	Washer x8 (x2 per strike)
	4739A419	Vinyl cap (x2 per strike)
2	4753-1211	Canopy track 137 1/2" (must cut to size)
3	4741F11381	Tent support bracket (x2 per top)
4	4733D0601	Rivet, M25
5	4744C4741	Double dome light
	4714H0891	Dome light lens
	1103B08148	7/8" Screw (x4 per light)
6	4753A6991	Screen door retaining bracket (curbside front)
	4060075008F	3/4" x 1" Foam tape (sold/foot)
7	4753A69981	Screen door retaining bracket (curbside rear)
8	4749C5571	Screen door storage bracket
	4734C1861	Rivet M25 (hold bracket to top)
	4749-2138	Snap button
	1203-8631	Rivet x1, M25
9	4734E5211	Screen door cable assembly, M2
10	4753-1221	Screen door track x2
	NOTE: Track used x3 on 3090, 3095	
	4745-3968	Screw (x2 per track)
11	4723B5061	Screen door strap x2
	Refer to Code #24 for mounting hardware	
12	4730A3548	Stud w/screw x2
13	1203-9258	Accordion rivet, M25
14	4734B397	Exit decal
15	4753-5961	Lift pocket assembly x4
	4745-3968	Screw (x4 per lift pocket)
16	4723A8071	2"x2" Velcro hook patch M4
17	4724D0991	3/4" Velcro strip M4
18	4753-1161	Side tent track (must cut to size)
19	4753-1201	Tent track, front & rear
20	4753-8861	Top seal (sold 38 foot/pc)
21	4716-2171	ABS Top glue kit
22	4753-2201	Wardrobe hanger
	1203-8531	Rivet (countersunk head), M25
23	4755-5241	Curtain slide assembly x10 (3090, 3095 only)
24	4755-5221	Shower rod strap x2 (3090, 3095 only)
	4739-2918	Screw cap washer
	4739E2908	Screw cap
	4747-2558	Expansion rivet, M25
25	4750-1761	Shower head bracket (3090, 3095 only)
26	4755-5211	Shower rod strap x2 (3090, 3095 only)
	NOTE: Refer to Code #24 for mounting hardware	
27	4755-5231	Shower rod (3090, 3095 only)

REPAIR PARTS

