

1996 ACCESSORY RIGHT AIR PARTS

BY FLEETWOOD.

1996 ACCESSORY

4747E4851 FURNACE KIT. (3070, 3075, 3076 ONLY)

<u>PART NO.</u>	<u>DESCRIPTION</u>
1201-8658	Clamp x4
1201-8708	Clamp x2
1202B0268	Washer x2
1203-8641	Rivet x8, M25
1203-8741	Rivet x2, M25
1215-1778	Tee
1215-2418	Flare nut x4
1215-390	Union
1215-5168	Elbow
1216-2088	Connector x3
2310137521	Copper tubing 76", 3/8 O.D.
4350000029	Putty tape x30"
4716-061	Screw x4, #10 x 2"
4716-063	Screw x18, 10 x 1/2" ss
4716-075	Screw x6, 3/8"
4733A4128	Bushing
4734-3898	Bushing
4739-1258	Bushing, 1/2"
4743-3551	Heater grille - brown
4744A050	Screw x2
4747-8391	Thermostat bracket & plastic base
4749A617	Heater box
4749A827	Divider x4
4750-6421	Heater harness (3 prong)
4750-6431	Thermostat wire harness
4752-8131	Hydro flame vent kit

For replacement parts or warranty service
for Hydro Flame Furnace
please write or phone:

Hydro Flame Corporation
1874 Pioneer Road
Salt Lake City, UT 84014

Phone: 800/825-4328

REPAIR PARTS

TABLE OF CONTENTS

DESCRIPTION	PAGE NUMBER
Air conditioner kits	13
Battery mount kits	11
Canopy "Self-storing" component parts	8
Cooler, Versacool	6
Crank down stabilizer kit	3
Cross bar kits 1 - 2 bar	4
Electric brake package & component parts	7
Furnace Kits	1
Gas bottle cover (molded) Grand Tour	10
Hot Water Kit	12
Reading light kit	2
Screen room component parts	9
Spare tire cover (molded) Grand Tour	10
Step package "Destiny Series"	2
Table (pedestal table 3092 only)	6
Wardrobe rack	3
Yakima accessories and component parts	
Frame mount bike carrier (4742-9001)	5
Boat mounting kit (4742-9021)	4
Cargo basket kit (4742-9031)	5

4753-6721 HUTCH CUSHION ASSEMBLY 3082
4716-6721 HUTCH CUSHION COVER 3082

Refrigerator - NORCOLD 800/543-1219
 Furnaces - Salt Lake City, UT 800/873-4328
 Canada 800/831-7531
 Range - Greenbrier, TN 800/646-8557
 Water Heaters - Rockford, IL 800/825-4328
 Hardware - Rockford, IL 800/825-4328

4737M8041 FURNACE KIT (ALL EXCEPT 3070, 3075, 3076)

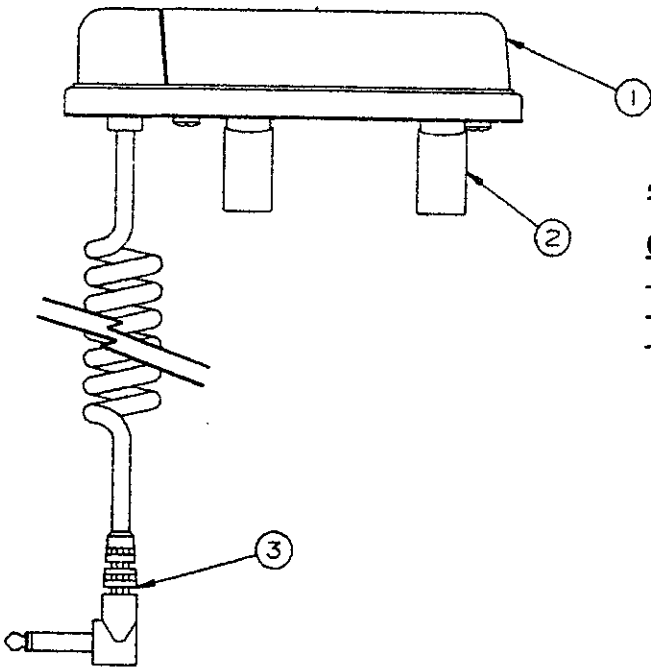
<u>PART NO.</u>	<u>DESCRIPTION</u>		
1201-8658	Clamp x4		
1201-8708	Clamp x2	4733A4128	Bushing x1
1202B0268	Washer x2	4734-3898	Bushing x1
1203-8641	Rivet x2, M25	4739-1258	Bushing x1, 1/2"
1203-8741	Rivet x2, M25	4741A925	Wood block x2
1215-1778	Tee x1	4741B9471	Hydro Flame vent kit
1215-1798	Tee x1	4743-3551	Heater grille - brown
1215-2418	Flare nut x4	4747-8391	Thermostat bracket & plastic base x1
1215-2438	Flare nut x2	4749A617	Heater box x1
1216-2088	Connector x3	4750-6421	Heater harness (3 prong)
2310137521	Copper tubing 72" 3/8 O.D.	4750-6431	Thermostat wire harness
4350000029	Putty tape x30"	4753A490	Galley divider x1
4716-061	Screw x4	4754-268	Galley divider x1
4716-063	Screw x13, #10 x 1/2" SS	4754-269	Galley divider x1
4716-075	Screw x6	4755-605	Furnace box x1

For replacement parts or warranty service
 for Hydro Flame Furnace
 please write or phone:

Hydro Flame Corporation
1874 Pioneer Road
Salt Lake City, UT 84014

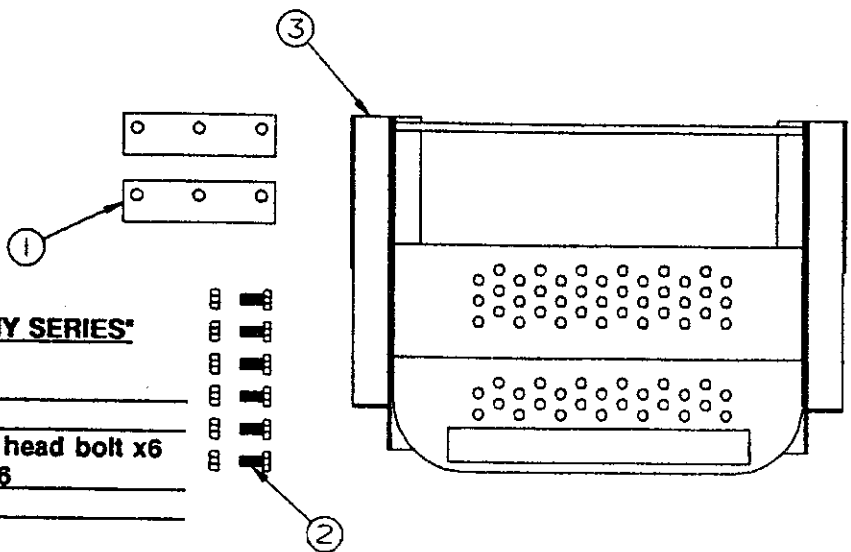
Phone: 800/825-4328

1996 ACCESSORY



4749C6431 READING LIGHT & RELATED PARTS:

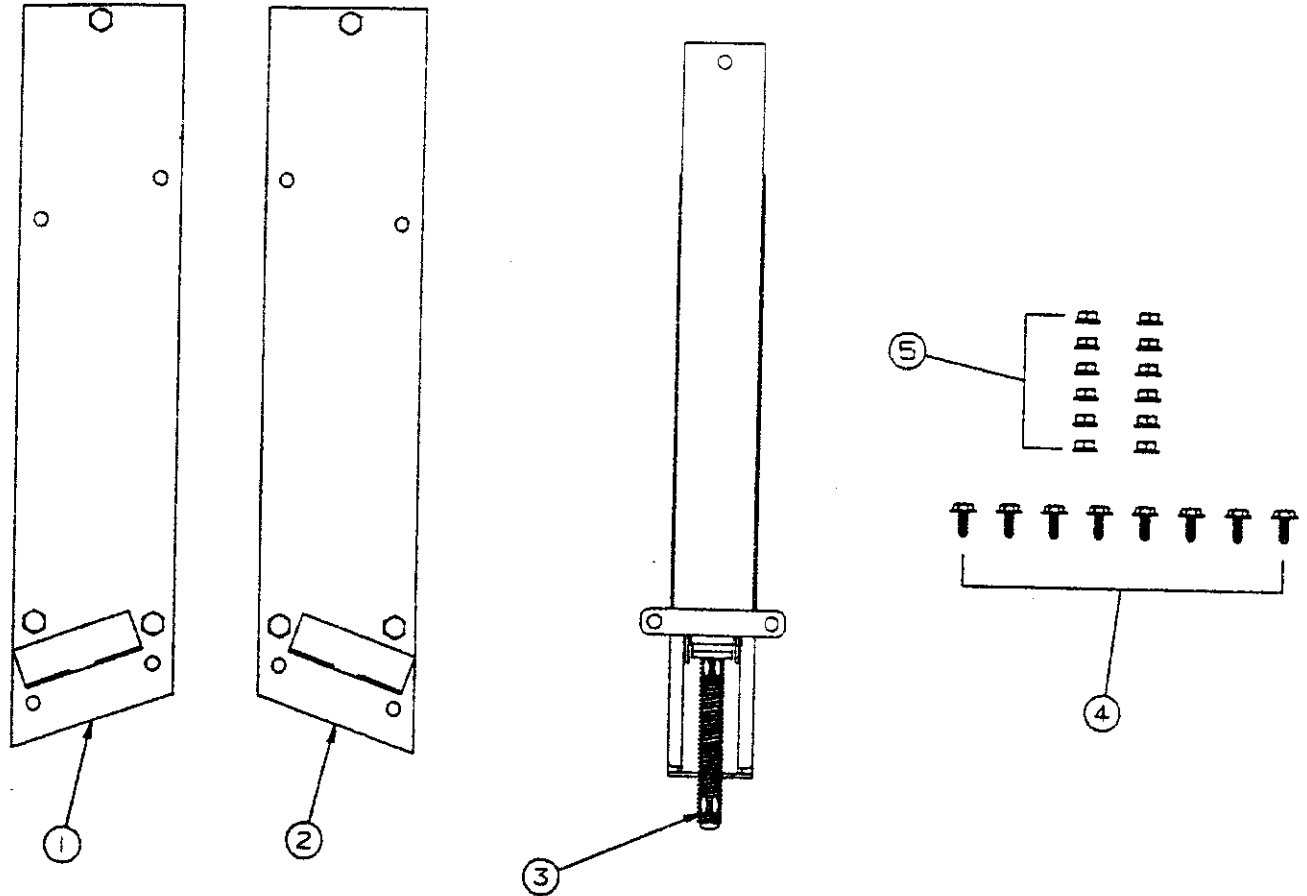
CODE	PART NO.	DESCRIPTION
1	4714H0891	Lens
2	4749-9641	Gripper clip x2, M2
3	NOTE: Cord & plug not sold separately	



4747B6541 STEP ASSEMBLY 'DESTINY SERIES'

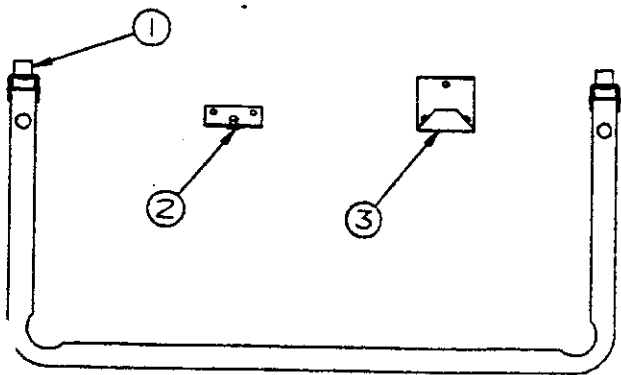
CODE	PART NO.	DESCRIPTION
1	4750-3361	Step shim x2
2	1200B3048	3/8" x 3/4" Hex head bolt x6
	1201B6068	3/8" Lock nut x6
3	4747B6541	Step assembly

REPAIR PARTS



CRANKDOWN STABILIZER KIT (4751B6831)

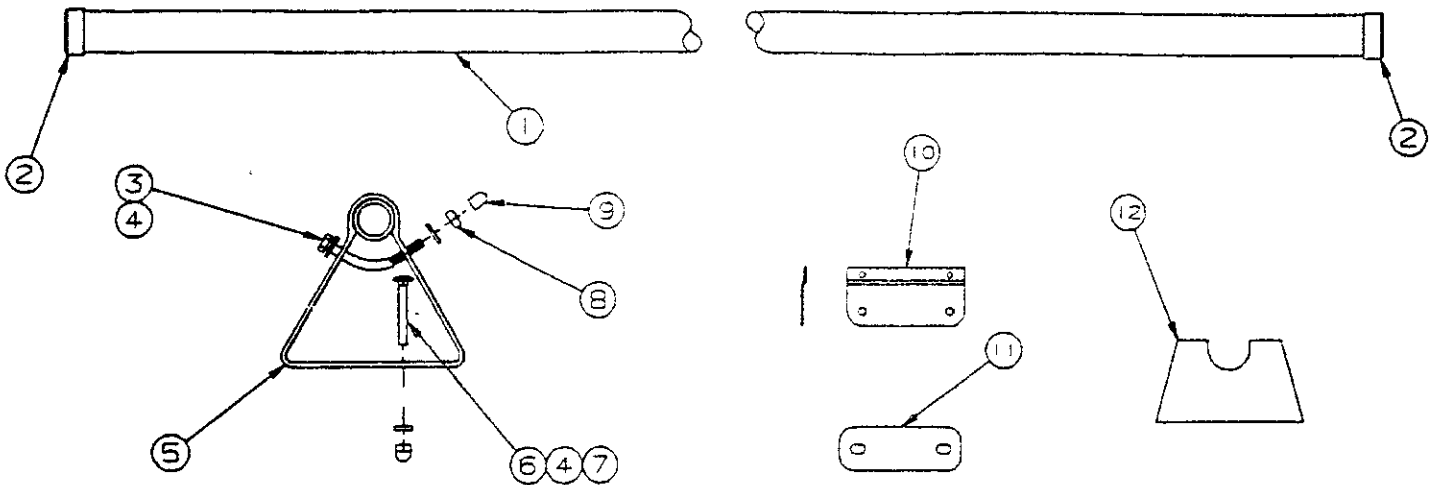
CODE	PART NO.	DESCRIPTION
1	4751B6821	Stabilizer bracket assembly x2
2	4751B6811	Stabilizer bracket assembly x2
3	4751A3351	Stabilizer assembly x4
4	4751-8208	5/16" x 3/4" Mounting bolt x8
5	4739-2298	5/8" Locknut x12



4747B5451 WARDROBE RACK. (3070, 3075, 3076 ONLY)

CODE	PART NO.	DESCRIPTION
1	4710-2681	Stop button x2, M5
	1203-8651	Rivet x2, M25
2	4747A5461	Wardrobe bracket x2
	4741C9368	Screw x2
3	4741C4451	Conversion bracket x2
	4741C9368	Screw x3

1996 ACCESSORY



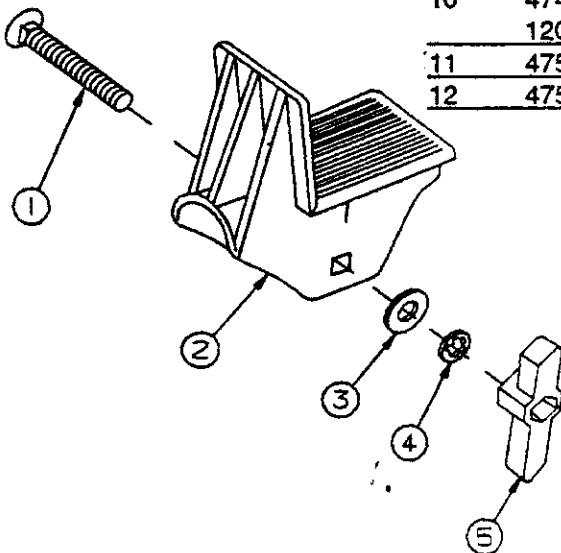
4742B9061 SINGLE CROSSBAR KIT "ALL EXCEPT 3070, 3075, 3076"
4742B9071 DOUBLE CROSSBAR KIT "ALL EXCEPT 3070, 3075, 3076"

4742A9081 SINGLE CROSSBAR KIT "3070, 3075, 3076 ONLY"
4742A9091 DOUBLE CROSSBAR KIT "3070, 3075, 3076 ONLY"

4714C9071 DOUBLE CROSSBAR KIT HARDWARE PKG "ALL EXCEPT 3070, 3075, 3076"
4714B9091 DOUBLE CROSSBAR KIT HARDWARE PKG " 3070, 3075, 3076 ONLY"

DOUBLE CROSSBAR KIT COMPONENT PARTS:

CODE	PART NO.	DESCRIPTION
1	4753-3701	Crossbar x2 (all except 3070, 3075, 3076)
	4742-9111	Crossbar x2 (3070, 3075, 3076 only)
2	4743-3391	Yakima end cap x4 (all)
3	4750A9838	Bent bolt x4 (all)
4	1202E0408	Washer "ss" x16 (all)
5	4742A9151	Roof rack riser x4 (3070, 3075, 3076)
	4753-3681	Roof rack riser (used on ABS tops)
6	1200E2068	1/4" x 1 1/2" Carriage bolt x8 (3070, 3075, 3076)
	1200-2181	1/4 - 20x2 1/4 Carriage bolt x8, M2 (used on ABS tops)
7	4752E2888	Acorn nut x8 (all)
8	1201E6378	Locknut x4 (all)
9	4755-0338	Vinyl cap x4 (all)
10	4742-9191	Offset mounting plate x4 (3070, 3075, 3076 only)
	1203-8651	Rivet, M25
11	4753-3671	Mounting plate x4 (all except 3070, 3075, 3076)
12	4753-3761	Crossbar pad x2 (all except 3070, 3075, 3076)



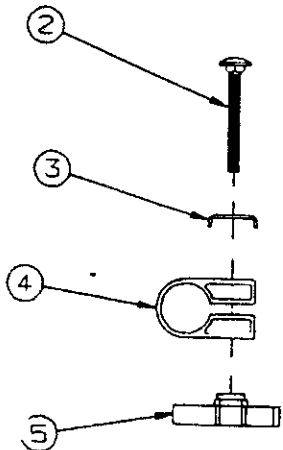
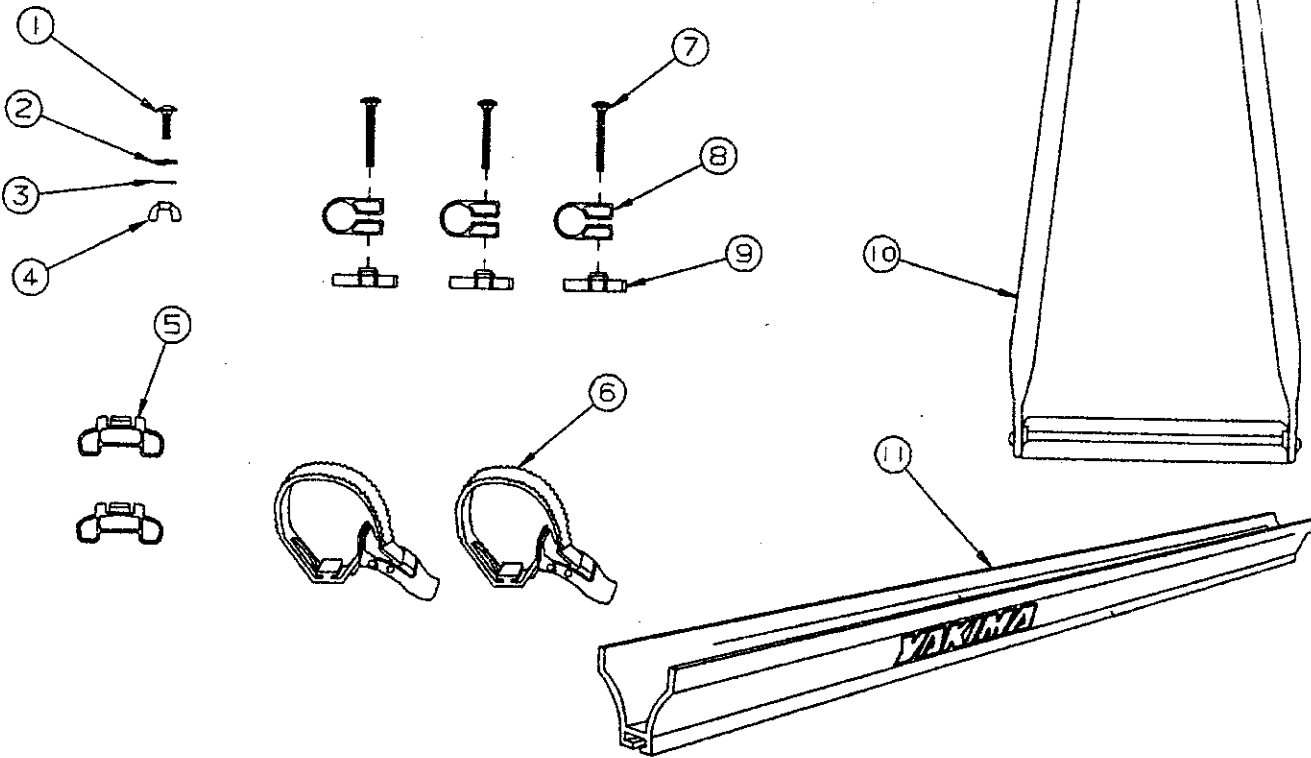
4742-9021 BOAT MOUNTING BRACKETS "YAKIMA"

CODE	PART NO.	DESCRIPTION
1	4716Y2271	Carriage bolt 5/16" x 2 1/4" (1)
2		Gunwale brackets - not sold separately (must order complete package, 4742-9021)
3	4716Y2421	5/16" Flat washer (4)
4	4716Y2411	5/16" Lock washer (4)
5	4716Y2291	5/16" Hex key

REPAIR PARTS

4742-9001 FRAME MOUNT BIKE CARRIER 'YAKIMA'

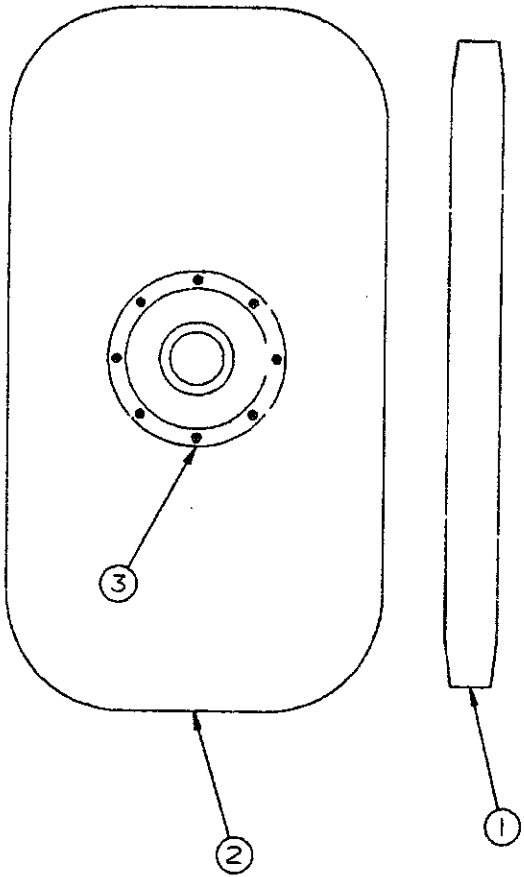
CODE	PART NO.	DESCRIPTION
1	4716Y2251	Carriage bolt 5/16" x 1" (1)
2	4716Y2411	5/16" Lock washer (1)
3	4716Y2421	5/16" Flat washer (1)
4	4716Y2261	5/16" Wing nut (1)
5	4716Y2321	Rim adapter M2 (2)
6	4716Y2311	Quick release wheel strap (2)
7	4716Y2271	Carriage bolt 5/16" x 2 1/4" (3)
8	4743-4281	Snap around, M2 (3)
9	4716Y2291	5/16" Hex key (3)
10	4716Y2441	Hoop and base plate (1)
11	4716Y2431	52" Wheel tray (1)



4742-9031 CARGO BASKET 'YAKIMA'

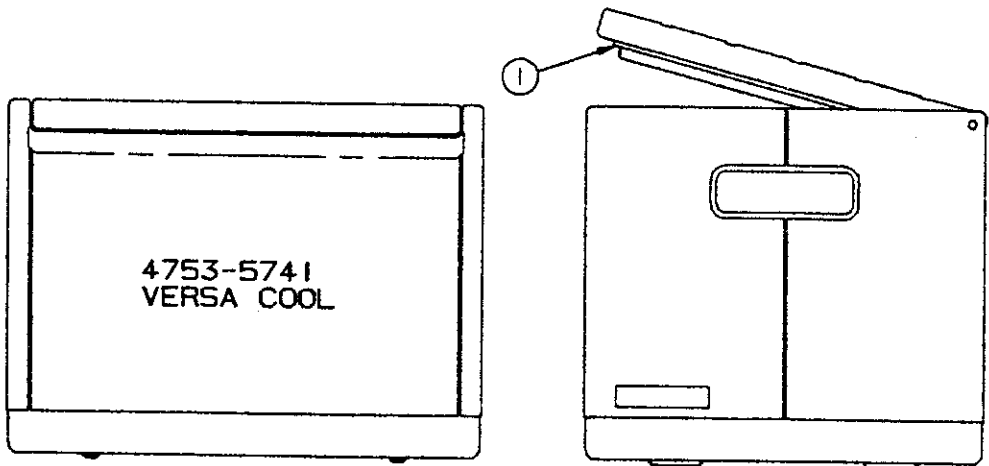
CODE	PART NO.	DESCRIPTION
1		Cargo basket - not sold separately (must order complete package, 4742-9031)
2	4716Y2271	Carriage bolt 5/16" x 2 1/4" (4)
3	4716Y2451	Anchor clip (4)
4	4743-4281	Snap around, M2 (4)
5	4716Y2291	5/16" Hex key (4)

1996 ACCESSORY



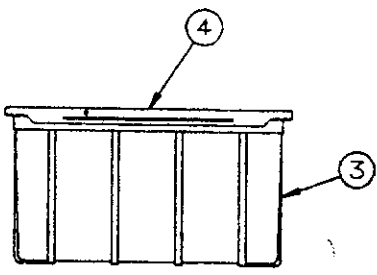
4753-6901 PEDESTAL TABLE COMPONENT PARTS:

CODE	PART NO.	DESCRIPTION
1	4746-8201	Pedestal leg
2	4746A8141	Table top
	4060600079F	T-Molding "cream" (sold/foot)
3	4746-8211	Standard base
	1114B1018	Countersunk screw x8
	4746-819	Recessed mount (located on floor)
	4753-8901	Recessed mount hole cover,



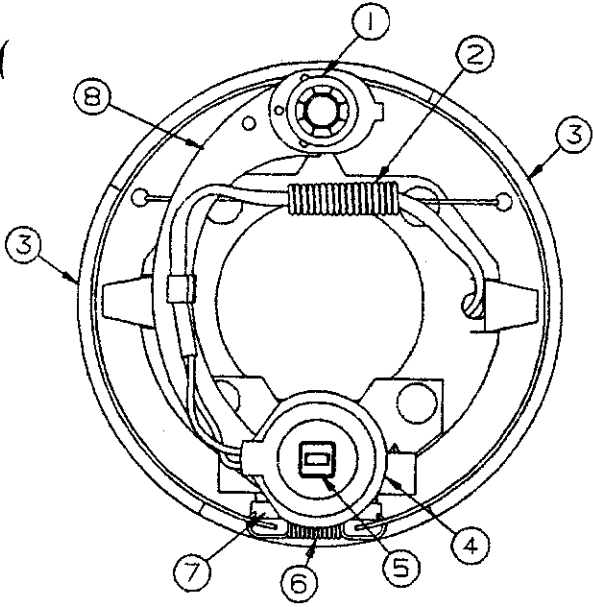
4753-5741 VERSACOOL COOLER COMPONENT PARTS

NOTE: COOLER LID NOT SOLD SEPARATELY



CODE	PART NO.	DESCRIPTION
1	4060000403F	1/4" Foam gasket (sold/foot) 7' required
2	4752-4891	Cooler wheel x4
	4730C128	Support rod x4
	1201B7078	Pal nut x8
3	4753-0851	Ice tub w/out lid
4	4753-0861	Ice tub lid

REPAIR PARTS



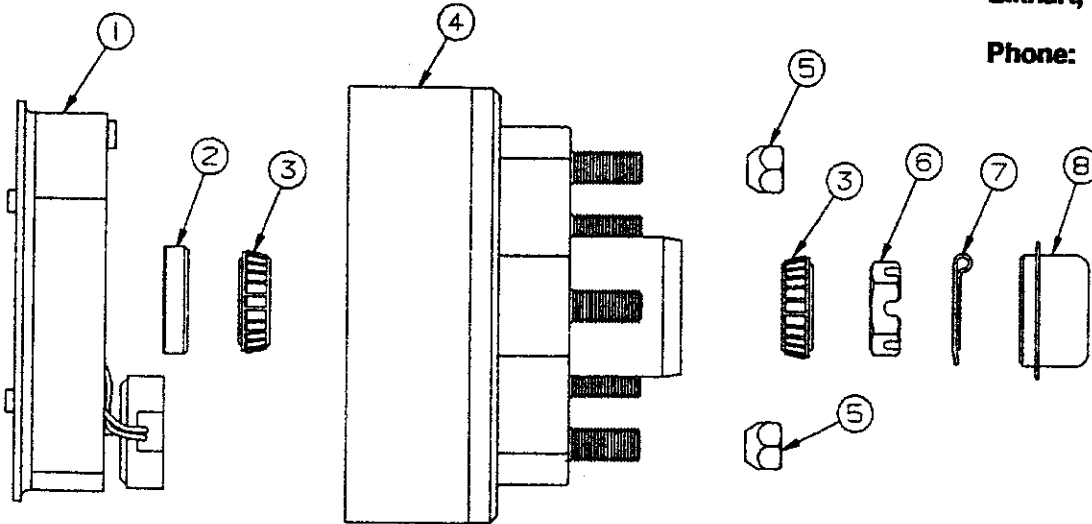
ELECTRIC BRAKE COMPONENTS

CODE	PART NO.	DESCRIPTION
1	4714A2461	Anchor post clip x2, M2
2	4714A2411	Retractor spring
3	4714B2071	Brake shoes (primary & secondary)
4	4714D2451	Magnet package (white wire) (includes: 1 magnet, 1 spring and 1 retainer clip)
5	4714B2471	Retainer clip, M2
6	4714A2101	Adjusting screw spring
7	4714A2041	Adjusting screw
8	4714A2841	Actuating lever arm package (includes: right hand and left hand arms)
9	4714B2421	Magnet housing spring (not shown)

For Technical Assistance on Dexter axles and brakes please write or phone:

Phillips Industries Inc.
Dexter Axle Division
222 Collins Road
Elkhart, Indiana 46516

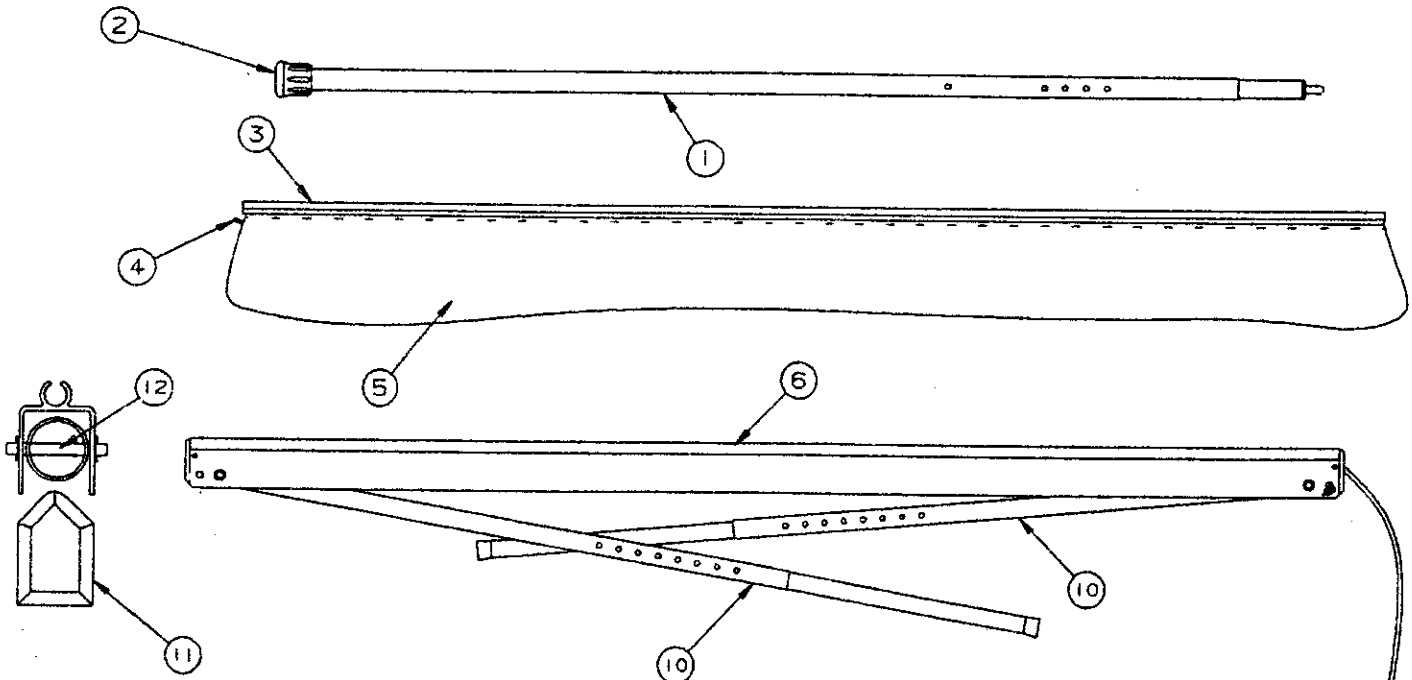
Phone: 219/295-1900



ELECTRIC BRAKE PACKAGE (4714H2011)

CODE	PART NO.	DESCRIPTION
1	4733A3521	Brake assy (right hand)
	4733A3531	Brake assy (left hand)
2	4714A2201	Grease seal x2, M4 (Fleetwood axle only)
	4714-2288	Grease seal x2 (Dexter axle only)
3	4716-1101	Bearing & race package x4
4	4716A1071	Hub & drum assy x2
5	4747A9528	Lug nut x10 (per brake pkg)
6	4714-3068	Spindle nut, (slotted) x2
7	1204-1268	Cotter pin x2
8	4714B0621	Dust cap x2, M4

1996 ACCESSORY

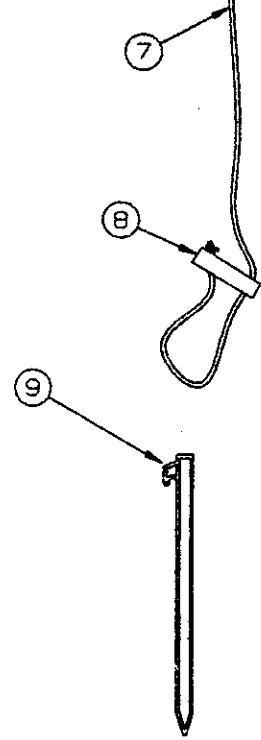


3000 SERIES SELF-STORING CANOPIES

4724E7571	Canopy, 8'	3070, 3075, 3076
4747E6561	Canopy, 10'	3042, 3082, 3089, 3096
4752A5941	Canopy, 12'	3090, 3092, 3095, 3041, 3086

SELF-STORING, CANOPY - COMPONENT PARTS

CODE	PART NO.	DESCRIPTION
1	4723B5291	Rafter pole assembly M3, x3
	4734-6708	Spring assembly
	8470-1728	Blue pin, inner pole, M10
2	4751-8191	Crutch cap, M3
3	4064700389F	PVC vinyl seal (sold/foot)
4	6650500130F	Chain zipper "grey"
	1225-4461	Zipper pull "grey", M5
5	4714A3821	Canopy bag 8' (grey)
	4714A3831	Canopy bag 10' (grey)
	4714-8251	Canopy bag 12' (grey)
6	4749B2271	Canopy support 8'
	4747B9841	Canopy support 10'
	4752-8251	Canopy support 12'
7	8460A1431	Poly rope 10 1/2' x2
8	4724B3931	Rope adjustor (wood)
9	4724-2558	12" Hook stake x2 (plastic)
10	4737F5971	Pole assembly x2
	8470-1748	Red cap x2
	4734-6708	Spring clip x2
11	4737B4258	End cap x2
	4737-3208	Tek screw x2
12	4720A2361	Rod & pal nuts
	1201B7071	Pal nut, M6



REPAIR PARTS

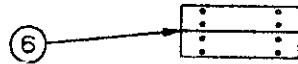
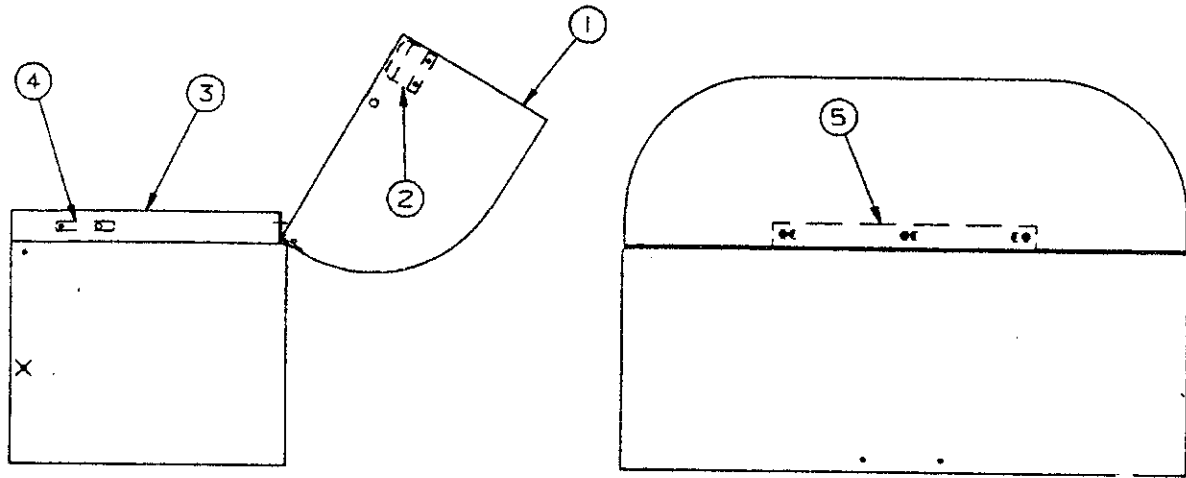
3000 SERIES SCREEN ROOMS

4747F6551	Screen Room 8'	3070, 3075
4728M5621	Screen Room 8'	3076
4747F6571	Screen Room 10'	3042, 3096
4750C2921	Screen Room 10'	3082, 3089
4752A5921	Screen Room 12'	3090, 3092, 3086
4728M5601	Screen Room 12'	3041, 3095

SCREEN ROOM COMPONENT PARTS

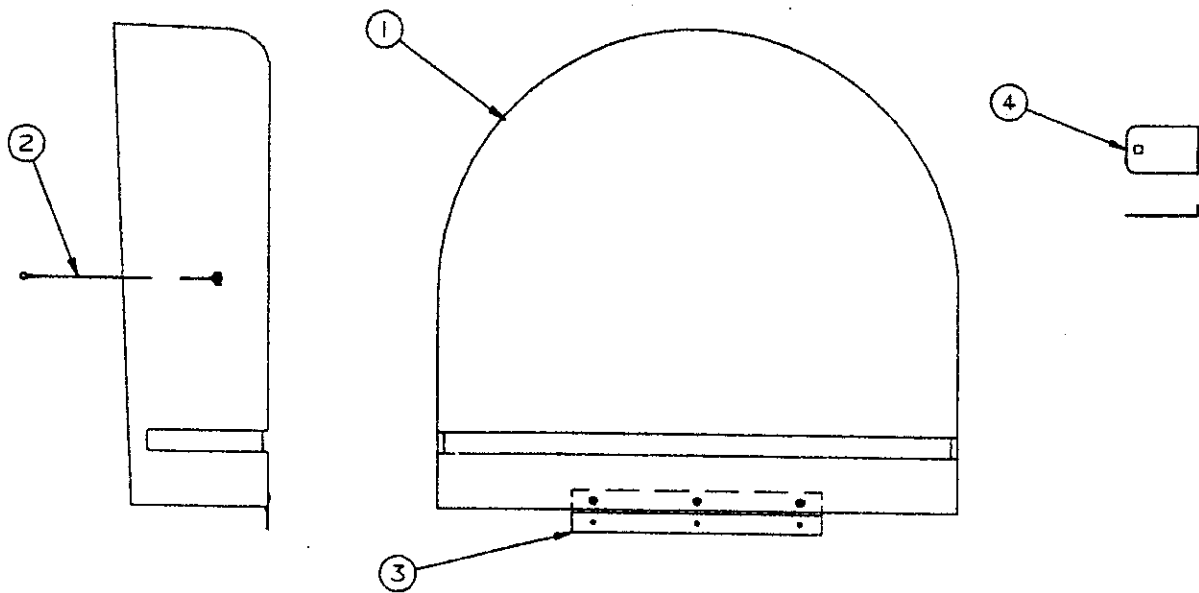
CODE	PART NO.	DESCRIPTION
1	4724A2558	10' Hook stake (plastic)
2	4720D4021	Lashing hook, M6
3	4733-4138	Tek screw
4	435000005F	Velcro hook (grey) (sold/yard) adhesive back
5	6650500130F	Zipper (entrance zipper) "grey" sold/yard
	1225A4188	Long double zipper pull
6	4724-7941	Screen room bag
	4060000045F	1/4" Heavy duty shock cord
	4724-2011	Shock cord clamp x4, M10
	1226-1228	#3 Brass grommet with teeth
	4716-073	"S" hook

1996 ACCESSORY



4749H1341 MOLDED GAS BOTTLE COVER, "GRAND TOUR SERIES"
4716C1341 HARDWARE PARTS PACKAGE
NOTE: Includes items marked w/asterisk

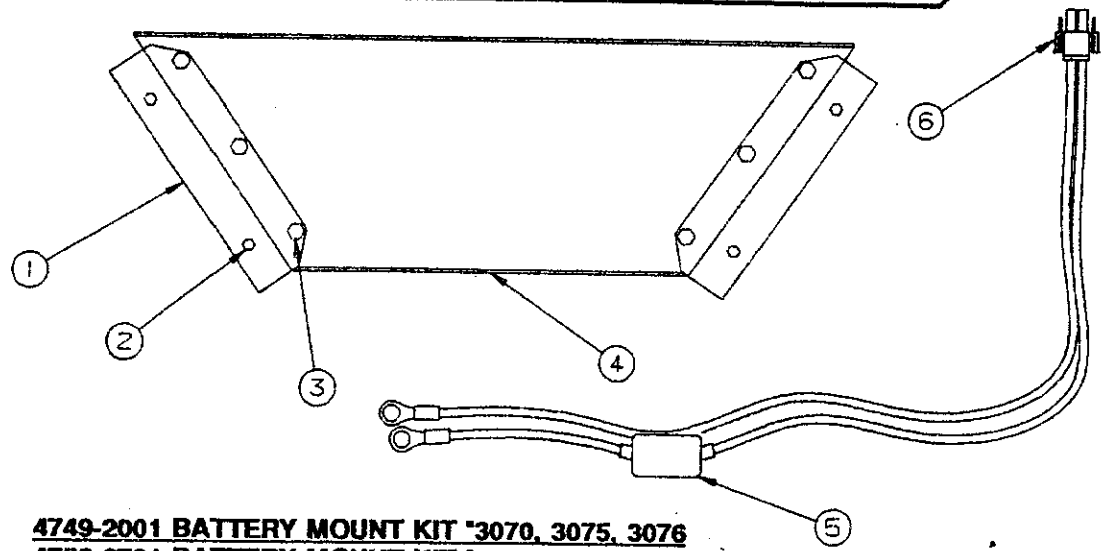
CODE	PART NO.	DESCRIPTION
1	4753-4571	Flip down lid
2	* 4747A9471	Keeper bracket
	* 4747-2558	Expansion rivet, M25
3	4753-4561	Gas bottle shroud
4	4753-8671	Snap button
	4741A9861	Rivet X2, M25
5	4753-8311	Lid hinge
	4733D0601	Rivet x6, M25
6	* 4753-455	Shroud bracket
	* 4733D0601	Rivet x4, M25



4753-6771 SPARE TIRE COVER "GRAND TOUR SERIES"
4716-6771 Hardware Parts Package
NOTE: Includes items marked with asterisk

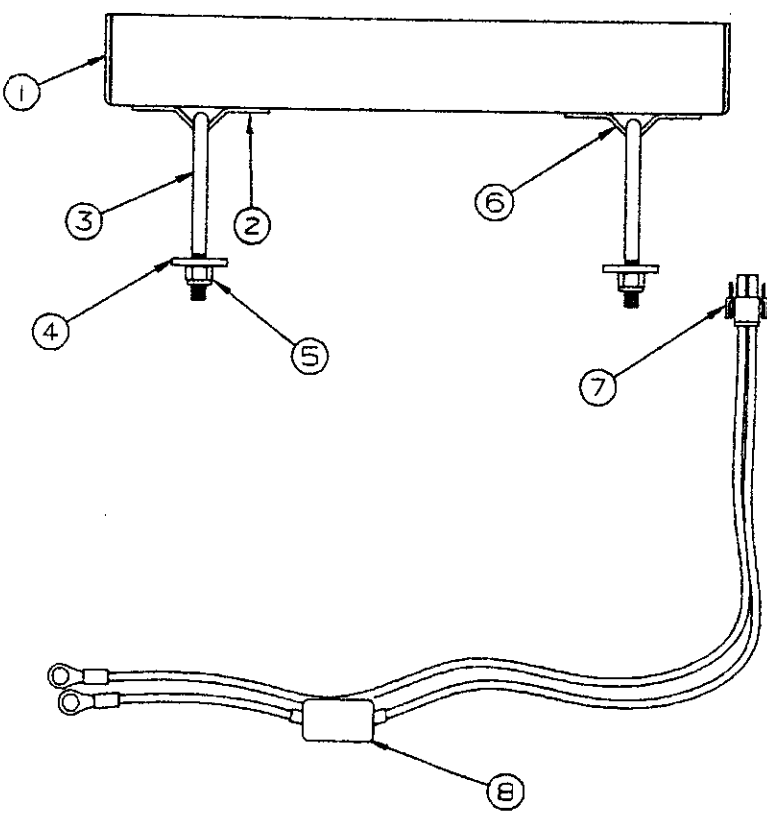
CODE	PART NO.	DESCRIPTION
1	4753A3661	Spare tire cover
2	4753A804	Cable
	1202E0908	Washer x1
	4741D96568	Expansion rivet x1, M25
3	* 4753-8031	Hinge
	* 4733D0601	Rivet x3, M25
4	* 4753-3651	Keeper bracket
	* 4732-1181	Grommet x1, M4
	* 1121C1618	Screw x1
	* 4741B9658	Expansion rivet x3, M25
	* 1202B0268	Washer x1

REPAIR PARTS



4749-2001 BATTERY MOUNT KIT *3070, 3075, 3076
4753-6781 BATTERY MOUNT KIT *3042, 3082, 3090, 3092, 3089, 3096, 3086*

CODE	PART NO.	DESCRIPTION
1	4749-199	Battery angle x2 (all)
2	4738A0898	Bolt x4
3	1200E1268	Bolt x6
	1201E6038	Locknut x6
4	4749-198	Battery plate (3070, 3075, 3076)
	4749B198	Battery plate (all except 3070, 3075, 3076)
5	4751-4811	15 AMP Circuit breaker
6	4749A5531	Wire harness w/circuit breaker
7	4746-4338	Caution decal (not shown)



4753-3851 BATTERY MOUNT KIT - 3041 ONLY

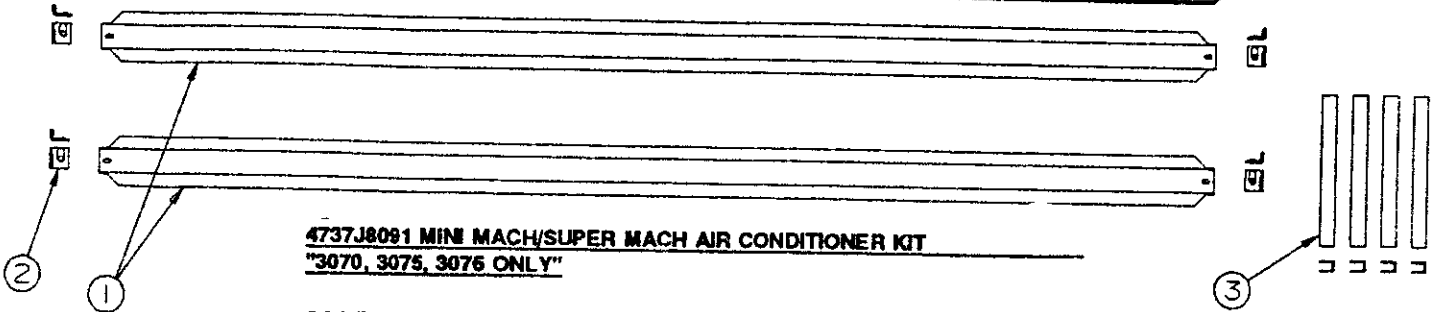
CODE	PART NO.	DESCRIPTION
1	4746A900	Battery pan
2	4746-904	"V" bracket x1 (large)
	1203-8641	Rivet x4, M25
3	4746-901	U-Bolt x2
4	4746-902	Strap x2 (metal)
5	1201B6028	Locknut x4
6	4746-903	"V" bracket (small)
	1203-8641	Rivet x4, M25
7	4749A5531	Wire harness w/circuit breaker
8	4751-4811	15 AMP Circuit breaker
9	4746-4338	Caution decal (not shown)
10	4753-327	Bumper x3 (not shown)
11	4753-326	Button x3 (not shown)

1996 ACCESSORY

4753-6741 HOT WATER KIT

<u>PART NO.</u>	<u>DESCRIPTION</u>
1103B1016	Screw x3
1103B1028	Tapping screw x2
1103E1018	Screw x11
1201-8738	Clamp x14
1215-1778	Flared tee
1215-2418	Flared nut x2
1215-5168	Elbow x2
4350000022F	1/2 x 1/4 Foam tape (5 ft)
4350001533F	Trim tape (2 ft)
4350001699F	Trim tape (2 ft)
4714-038	3/8 HP Hose x 15'
4714-338	3/8 Hose x 13'
4716-061	Tapping screw x2
4716-1331	Water heater door x1
4716-2341	Faucet nut, barb & seal pkg x2
4731-3058	Hose clamp x25
4734-2388	Connector x4
4737-8488	Plastic screw x12
4738-3088	Screw x2
4739A5696	Gas line assembly x1
4741-2351	Swivel elbow x2
4741-2378	Elbow x1
4741-2388	Barbed tee x4
4741-2398	Barbed elbow x4
4741A2368	Tee x2
4741A925	Wood block x1
4741C5571	Pump x1
4746-3778	Fuse holder x1
4747-2558	Expansion rivet, M25
4747A8311	In-line filter x1
4750-3421	Water heater x1
4750-922	Elbow x2
4752-4361	Mixer faucet x1
4753-871	Faucet plate x1
4755-598	Water pump shelf x1

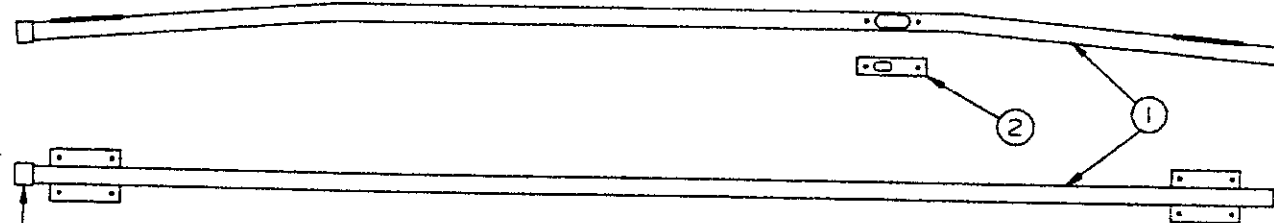
REPAIR PARTS



4737J8091 MINI MACH/SUPER MACH AIR CONDITIONER KIT
"3070, 3075, 3076 ONLY"

CODE	PART NO.	DESCRIPTION
1	4747A8901	Roof brace x2
	* 1212-0128	Grommet x1
	* 4744-3118	Grommet x4
	4350000022F	Foam tape
2	* 4747A8951	Mounting bracket x4
	* 4748B0538	Machine screw 1/4-20x1/2" "arctic white" x4
	* 4747-2328	Sealing washer x4 (rubber)
	* 4749A1098	Washer x4 "arctic white"
	* 4747A1118	Bolt 1/4-20x1" "warm grey" x4
3	* 4749A2121	Channel extrusion x4, M4
4	4748-6591	Power cord (not shown)
	* 4739-4158	Nylon clamp x3
	* 4741C9368	Screw x3 (warm grey)
	* 1202B2698	Washer x1
	* 4723-3378	Strap assembly (velcro) x1
	5	* 4744A1301
* 4741B9658		Expansion rivet x9, M25
* 4741-4971		Dimpled bumper x2, M6
* 4752-244		Air conditioner decal
* 4752-245		Top trim x1
* 4350000032		Putty tape, 5'
* 4350000295F		Double stick tape
* 4350000058F		Foam tape 6"

4716H8091 Air Conditioner Hardware Pkg. (4737J8091 A/C Kit)
Note: Includes items marked with asterisk



4742C9291 MINI-MACH/SUPER MACH AIR CONDITIONER KIT
"ALL EXCEPT 3070, 3075, 3076"

CODE	PART NO.	DESCRIPTION
1	4755-5951	Conduit assembly
	4734C1861	Rivet x8, M25
2	4753-8271	Hole cover
	4733D0601	Rivet x2, M25
3	4748-6591	Power cord
	4739-4158	Nylon clamp x4
	1203C8751	Rivet x5, M25
	4723-3378	Strap assembly (velcro) x1
4	4753-8301	Cap x1
5	4350000022F	Foam tape, 6' (sold/foot) (not shown)
6	4752-244	Caution decal
7	4350000032	Grey putting tape (5 ft required)

