

1995 ACCESSORY REPAIR PARTS



1995 ACCESSORY

4737L8041 FURNACE KIT AMERICANA/PIONEER/FOUR SEASONS

<u>PART NO.</u>	<u>DESCRIPTION</u>
1201-8658	Clamp x4
1201-8708	Clamp x2
1202B0268	Washer x2
1203-8641	Rivet x2, M50
1203-8741	Rivet x2, M25
1215-1778	Tee x1
1215-1798	Tee x1
1215-2418	Flare nut x4
1215-2438	Flare nut x2
1216-2088	Connector x3
2310137521	Copper tubing 72" 3/8 O.D.
4350000029	Putty tape x30"
4716-061	Screw x4
4716-063	Screw x13, #10 x 1/2" SS
4716-075	Screw x6
4733A4128	Bushing x1
4734-3898	Bushing x1
4737C9251	Black plastic thermostat base
4739-1258	Bushing x1, 1/2"
4741A925	Wood block x2
4741B9471	Hydro Flame vent kit
4743-3551	Heater grille - brown
4743A3541	Heater grille - cherry
4747-8391	Thermostat bracket & tan plastic base x1
4749-415	Minwax pencil golden oak x1
4749A8278	Lower galley divider x1
4749B827	Divider x4 (metal)
4750-6421	Heater harness (3 prong)
4750-6431	Thermostat wire harness

4747D4851 FURNACE KIT, DESTINY SERIES

<u>PART NO.</u>	<u>DESCRIPTION</u>
1201-8658	Clamp x4
1201-8708	Clamp x2
1202B0268	Washer x2
1203-8641	Rivet x8, M50
1203-8741	Rivet x2, M25
1215-1778	Tee
1215-2418	Flare nut x4
1215-390	Union
1215-5168	Elbow
1216-2088	Connector x3
2310137521	Copper tubing 76", 3/8 O.D.
4350000029	Putty tape x30"
4716-061	Screw x4, #10 x 2"
4716-063	Screw x18, 10 x 1/2" ss
4716-075	Screw x6, 3/8"
4733A4128	Bushing
4734-3898	Bushing
4739-1258	Bushing, 1/2"
4752-8131	Hydro flame vent kit
4743-3551	Heater grille - brown
4744A050	Screw x2
4747-8391	Thermostat bracket & base
4749-415	Pencil
4749A617	Heater box
4749A827	Divider x4
4750-6421	Heater harness (3 prong)
4750-6431	Thermostat wire harness

For replacement parts or warranty service for Hydro Flame Furnace please write or phone:

Hydro Flame Corporation
1874 Pioneer Road
Salt Lake City, UT 84014

Phone: 800/825-4328

REPAIR PARTS

TABLE OF CONTENTS

DESCRIPTION	PAGE NUMBER
Air conditioner kits	15
Battery mount kits	13
Bumper - Pioneer	3
Camper Caddle Installation Kit	1
Canopy "Self-storing" component parts	10
Cooler, convertible	14
Crank down stabilizer kit	8
Cross bar kits 1 - 2 bar "Pioneer/Destiny/Cape Cod"	5
Cross bar kits 1 - 2 bar "Americana"	4
Dressing room curtain package component parts	11
Electric brake package & component parts	9
Furnace Kits	Opposite Page
Gas bottle cover (molded) Americana	12
Reading light kit	2
Refrigerator kit (Americana series only)	1
Screen room component parts	11
Step package "Destiny Series"	2
Wardrobe racks Americana/Pioneer/Destiny/Four Seasons	3
Yakima accessories and component parts	
Frame mount bike carrier (4742-9001)	6
Boat mounting kit (4742-9021)	7
Cargo basket kit (4742-9031)	7

CAMPER CADDIE INSTALLATION KIT - 4716-8951

Kit includes:

- (3) Plastic female buckles
- (3) Mounting brackets
- (6) Rivets & (6) screws

4747D9001 AMERICANA REFRIGERATOR KIT (COMPLETE)

REFRIGERATOR KIT COMPONENT PARTS

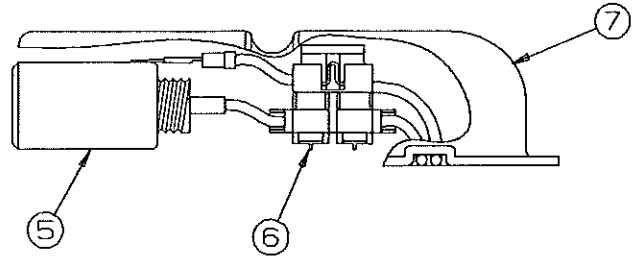
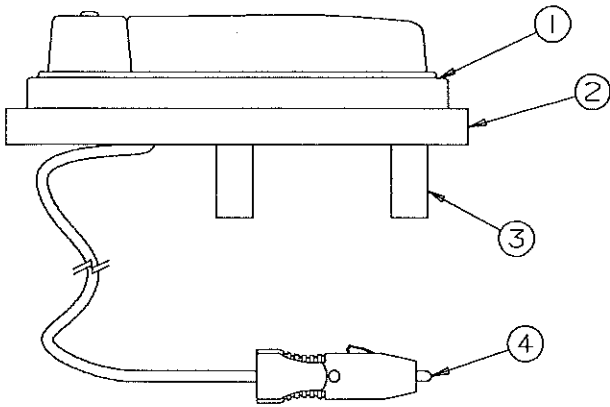
PART NO.	DESCRIPTION
0322A3308	Brass spacer x1
1017B1008	Screw #10 32 1/2 round phillips head x1
1103E1008	Screw x3
1201-8708	Clamp x3
1203-8951	Rivet x3, M25
1215-1778	3/8" Flared tee x1
1215-1798	1/2"x3/8"x3/8" Flare tee x1
1215-2418	3/8" Flare nut x4
1215-2438	1/2" Flare nut x2
1215-5168	3/8" Elbow x2
1216-2088	Wire nut yellow x2
4350000022F	Foam tape x6.5' sold/ft
4716-068	Screw 1" counter sunk head x1
4733-4118	Tek screw x2
4744-221	Refrigerator door knob x1
4745-3908	Arctic white caulking
4747-8501	9 AMP Converter
4747-872	Hole plug x4
4747A8666	Refrigerator door latch x1
4747D8251	Refrigerator door vented (complete)

For replacement parts or warranty service
for Dometic Refrigerator
please write or phone:

Dometic Sales Corporation
2320 Industrial Parkway
P. O. Box 490
Elkhart, Indiana 46516

Phone: 800/372-4782

1995 ACCESSORY

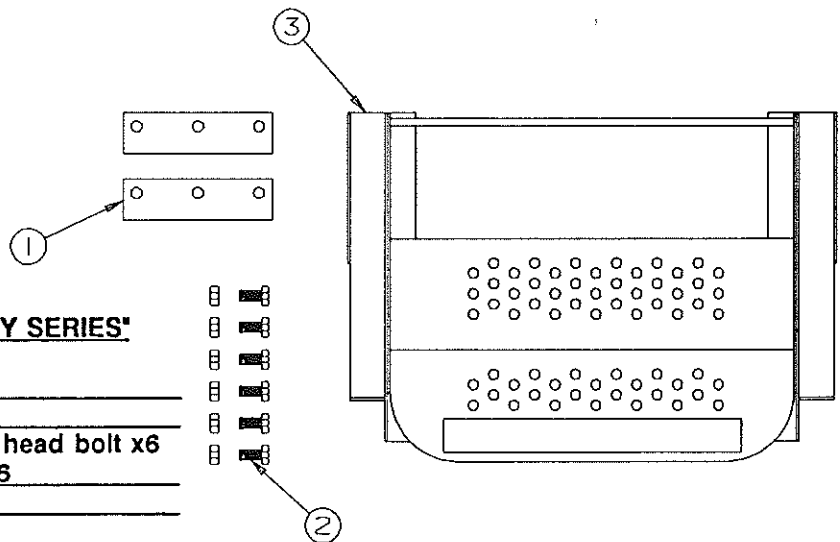


4749B6431 READING LIGHT KIT

CODE	PART NO.	DESCRIPTION
1	4737G5911	Dome light (complete)
	4714G0891	Dome light lens
2	4749C962	Light mounting board
3	4749-9641	Gripper clip x2, M2
4	4749A9711	Cord w/adapter plug
5	4749-968	12 Volt Receptacle
6	4746-3778	Fuse holder
7	4749B9661	Housing cover (plastic)
	4745-3968	Screw x3
8	4749-880	12 Volt DC light decal
9	4734-2388	Blue wire connector x2

4749B6421 Housing assembly (complete)

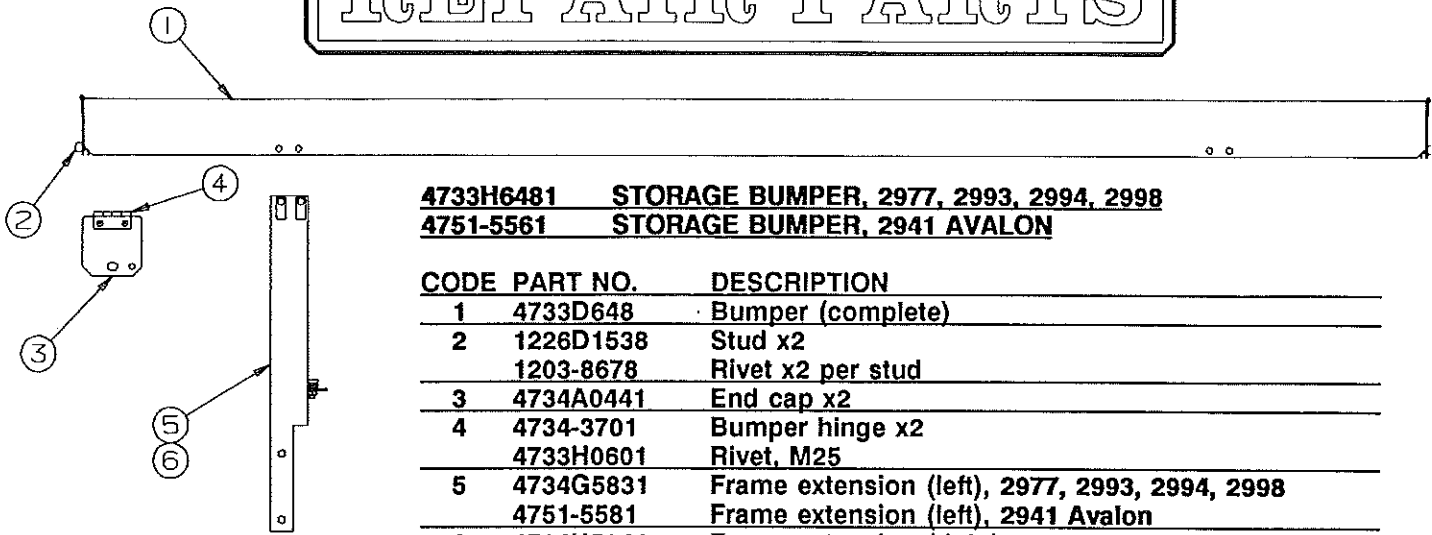
NOTE: Mounting screws & blue wire connectors included



4747A6541 STEP ASSEMBLY 'DESTINY SERIES'

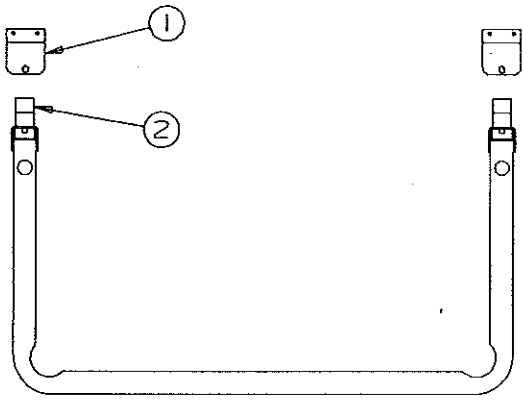
CODE	PART NO.	DESCRIPTION
1	4750-3361	Step shim x2
2	1200B3048	3/8" x 3/4" Hex head bolt x6
	1201B6068	3/8" Lock nut x6
3	4747A6541	Step assembly

REPAIR PARTS



4733H6481 STORAGE BUMPER, 2977, 2993, 2994, 2998
4751-5561 STORAGE BUMPER, 2941 AVALON

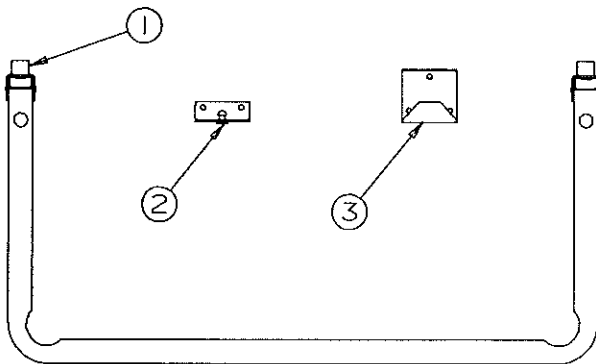
CODE	PART NO.	DESCRIPTION
1	4733D648	Bumper (complete)
2	1226D1538	Stud x2
	1203-8678	Rivet x2 per stud
3	4734A0441	End cap x2
4	4734-3701	Bumper hinge x2
	4733H0601	Rivet, M25
5	4734G5831	Frame extension (left), 2977, 2993, 2994, 2998
	4751-5581	Frame extension (left), 2941 Avalon
6	4734H5841	Frame extension (right), 2977, 2993, 2994, 2998
	4751-5591	Frame extension (right), 2941 Avalon
7	1200B3038	Bolt 5/16 - 18 x 3/4" long - x10
	1202B1028	Washer x4
	1201B5188	3/8 Hex nut x2
8	4737B4458	Panel gasket



4733G6441 WARDROBE RACK, "AMERICANA"

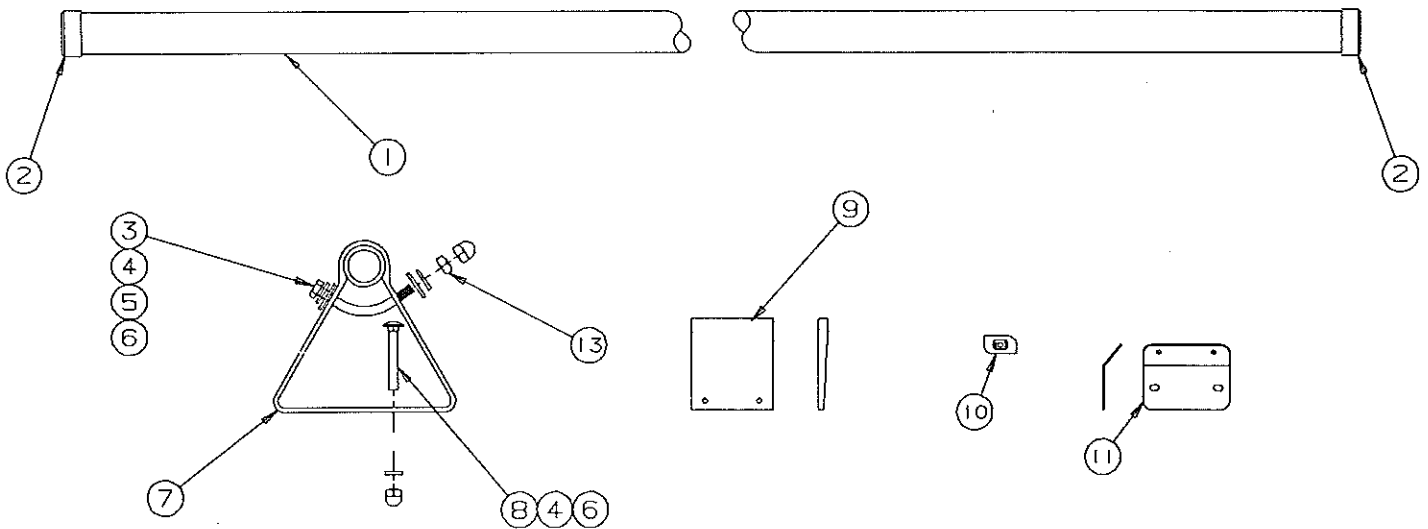
CODE	PART NO.	DESCRIPTION
1	4747A6961	Wardrobe bracket x2
	1203C8751	Rivet x4, M25
2	4724-2608	Stop button
	1016B1018	Screw x2
	1201B6958	Nut x2
3	4060400020F	Vinyl extrusion 78"

4747A5451 WARDROBE RACK, "PIONEER, DESTINY & FOUR SEASONS"



CODE	PART NO.	DESCRIPTION
1	4710-2681	Stop button x2, M5
	1203-8651	Rivet x2, M50
2	4747A5461	Wardrobe bracket x2
	4741C9368	Screw x2
3	4741C4451	Conversion bracket x2
	4741C9368	Screw x3

1995 ACCESSORY



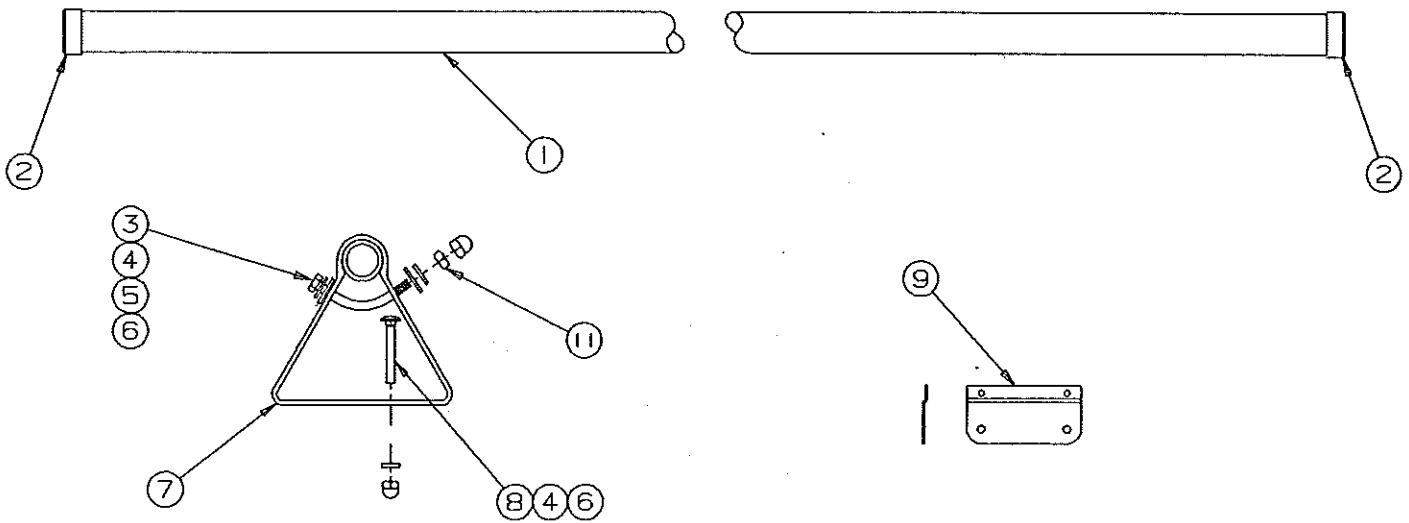
4742A9061 SINGLE CROSSBAR KIT 'AMERICANA SERIES'
4742A9071 DOUBLE CROSSBAR KIT 'AMERICANA SERIES'

4714B9071 Double Cross Bar Kit Hardware Pkg
Note: Includes items marked with asterisk (*)

DOUBLE CROSSBAR KIT COMPONENT PARTS

CODE	PART NO.	DESCRIPTION
1	4742-9111	Cross bar x2
2	4743-3391	Yakima end cap x4
3	*4750-9838	Bent bolt x4
4	*1202E0408	Washer "SS" x16
5	*4743-2788	Nylon spacer x8
6	*1201E6128	Acorn nut x12
7	4742A9151	Roof rack riser x4
8	*1200E2068	1/4" x 1 1/2" carriage bolt "SS" x8
9	4742-9161	Shim x4
	4350000059F	2" Tacky tape, 18" sold/foot
10	*4742-9178	Cove insert x8
11	4742-9181	Angled mounting plate x4
	*4742-9348	1/4" x 1/2" Screw x8
	*4739-2918	Screw cap washer x8
	*4739C2908	Screw cap "grey" x8
12	4747A388	Caution decal (not shown)
13	1201E6378	Locknut x4

REPAIR PARTS



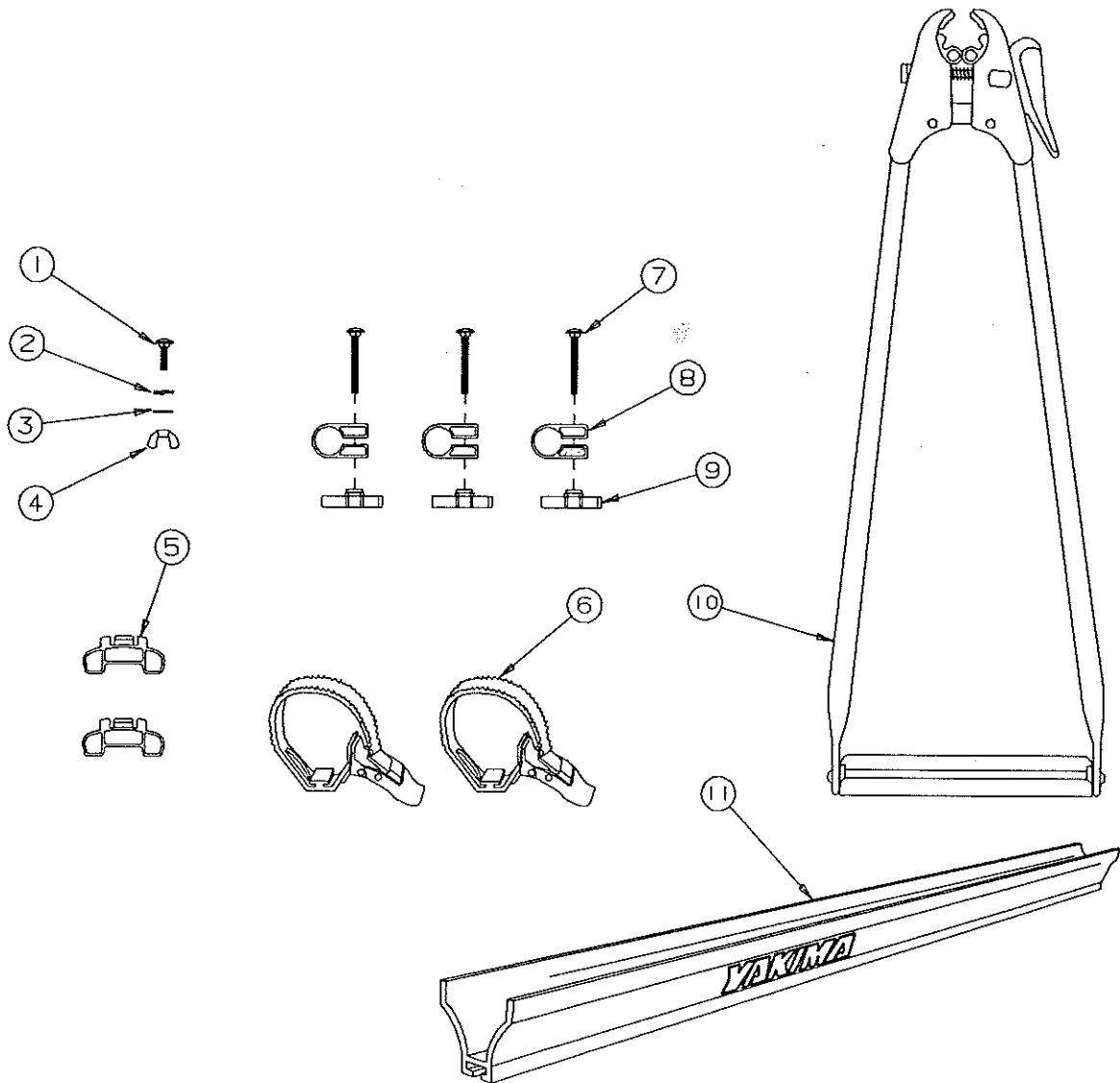
4742A9081 SINGLE CROSSBAR KIT *PIONEER, DESTINY & FOUR SEASONS
4742A9091 DOUBLE CROSSBAR KIT *PIONEER, DESTINY & FOUR SEASONS

4714B9091 Double Cross Bar Kit Hardware Pkg.
Note: Includes items marked with asterisk (*)

DOUBLE CROSSBAR KIT COMPONENT PARTS

CODE	PART NO.	DESCRIPTION
1	4742-9111	Crossbar x2
2	4743-3391	Yakima end cap x4
3	*4750-9838	Bent bolt x4
4	*1202E0408	Washer "SS" x16
5	*4743-2788	Nylon spacer x8
6	*1201E6128	Acorn nut x12
7	4742A9151	Roof rack riser x4
	4350000059F	2" Tacky tape, 18" sold/foot
8	*1200E2068	1/4" x 1/2" Carriage bolt "SS" x8
9	4742-9191	Offset mounting plate x4
	1203-8651	Rivet, M50
10	4747A388	Caution decal "not shown"
11	*1201E6378	Locknut x4

1995 ACCESSORY

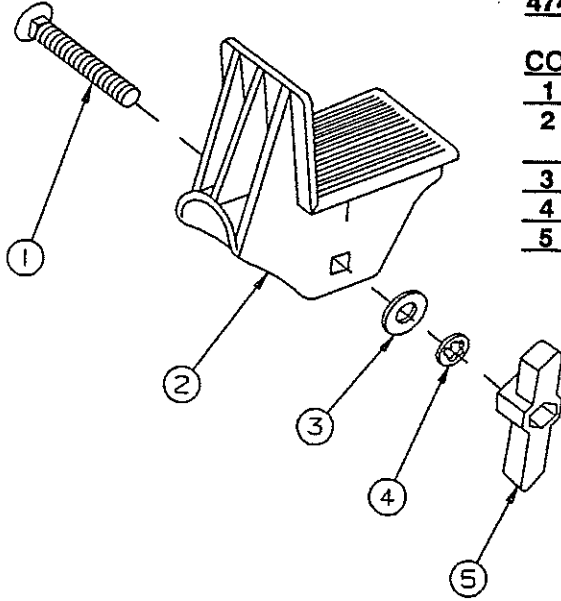


4742-9001 FRAME MOUNT BIKE CARRIER "YAKIMA"

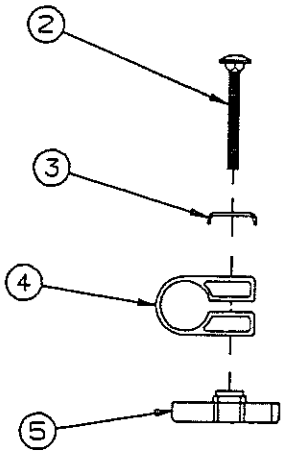
CODE	PART NO.	DESCRIPTION
1	4716Y2251	Carriage bolt 5/16" x 1" (1)
2	4716Y2411	5/16" Lock washer (1)
3	4716Y2421	5/16" Flat washer (1)
4	4716Y2261	5/16" Wing nut (1)
5	4716Y2321	Rim adapter M2 (2)
6	4716Y2311	Quick release wheel strap (2)
7	4716Y2271	Carriage bolt 5/16" x 2 1/4" (3)
8	4743-4281	Snap around, M2 (3)
9	4716Y2291	5/16" Hex key (3)
10	4716Y2441	Hoop and base plate (1)
11	4716Y2431	52" Wheel tray (1)

REPAIR PARTS

4742-9021 BOAT MOUNTING BRACKETS "YAKIMA"



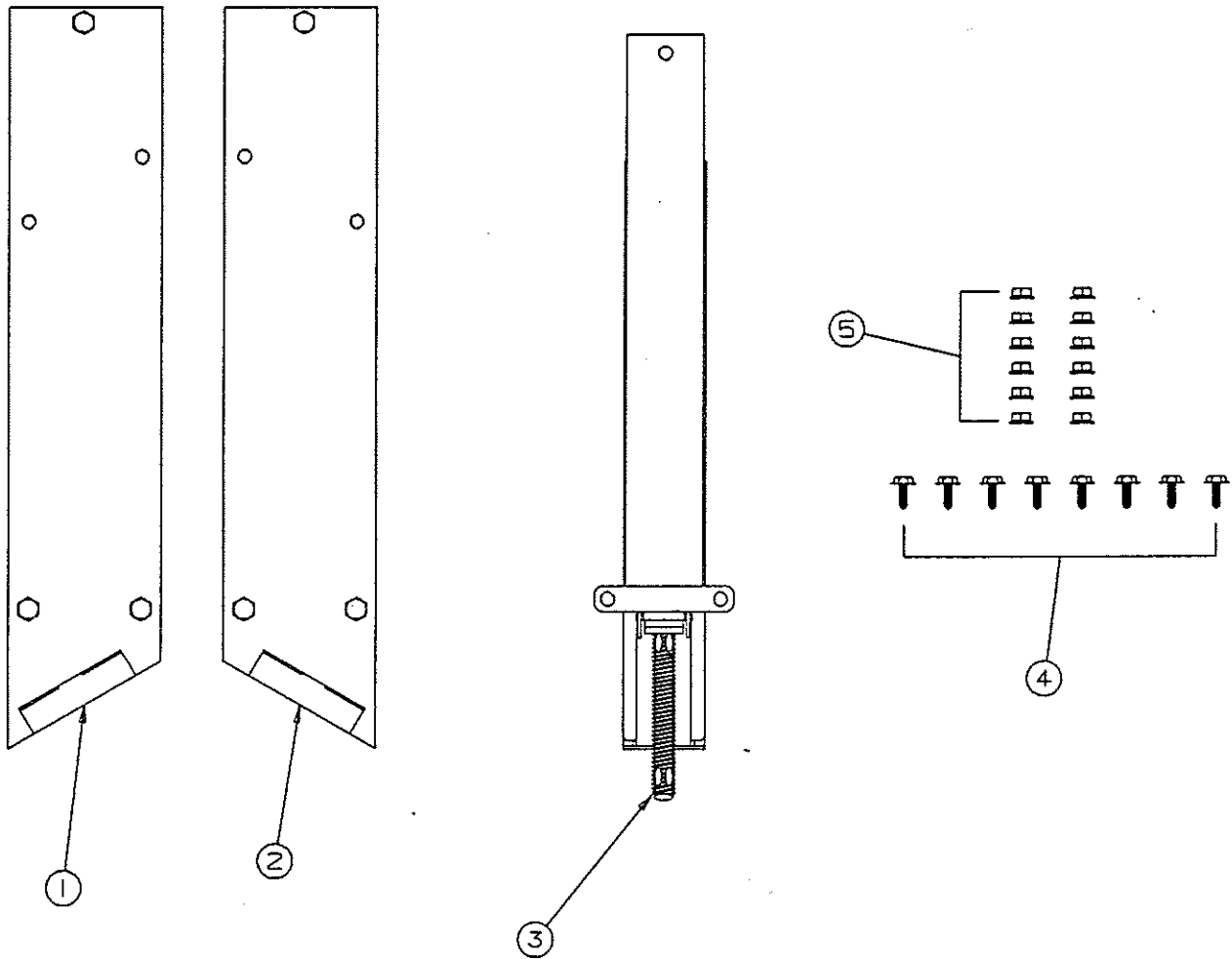
CODE	PART NO.	DESCRIPTION
1	4716Y2271	Carriage bolt 5/16" x 2 1/4" (1)
2	Gunwale brackets - not sold separately (must order complete package, 4742-9021)	
3	4716Y2421	5/16" Flat washer (4)
4	4716Y2411	5/16" Lock washer (4)
5	4716Y2291	5/16" Hex key



4742-9031 CARGO BASKET "YAKIMA"

CODE	PART NO.	DESCRIPTION
1	Cargo basket - not sold separately (must order complete package, 4742-9031)	
2	4716Y2271	Carriage bolt 5/16" x 2 1/4" (4)
3	4716Y2451	Anchor clip (4)
4	4743-4281	Snap around, M2 (4)
5	4716Y2291	5/16" Hex key (4)

1995 ACCESSORY

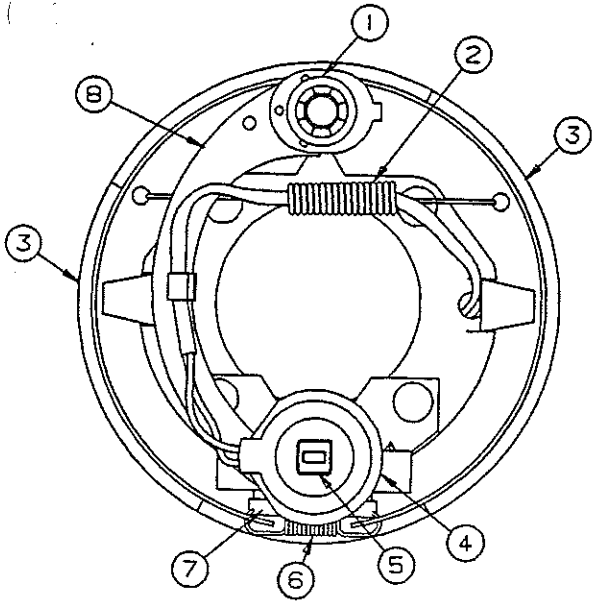


CRANKDOWN STABILIZER KIT (4751A6831) PIONEER/CAPE COD

CODE	PART NO.	DESCRIPTION
1	4751A6821	Stabilizer bracket assembly x2
2	4751A6811	Stabilizer bracket assembly x2
3	4751A3351	Stabilizer assembly x4
4	4751-8208	5/16" x 3/4" Mounting bolt x8
5	4739-2298	5/8" Locknut x12

REPAIR PARTS

ELECTRIC BRAKE COMPONENTS

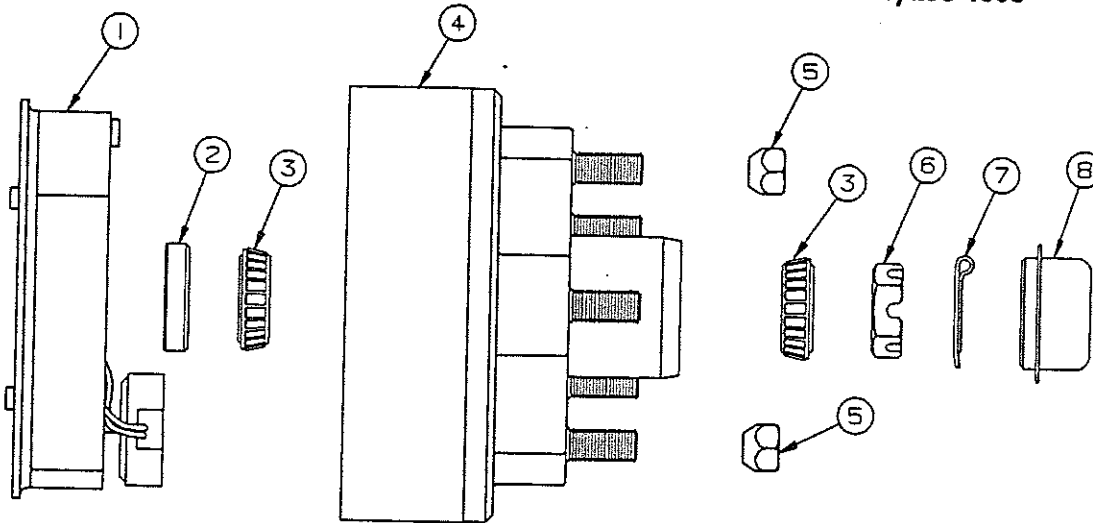


CODE	PART NO.	DESCRIPTION
1	4714A2461	Anchor post clip x2, M2
2	4714A2411	Retractor spring
3	4714B2071	Brake shoes (primary & secondary)
4	4714D2451	Magnet package (white wire) (includes: 1 magnet, 1 spring and 1 retainer clip)
5	4714B2471	Retainer clip, M2
6	4714A2101	Adjusting screw spring
7	4714A2041	Adjusting screw
8	4714A2841	Actuating lever arm package (includes: right hand and left hand arms)
9	4714B2421	Magnet housing spring (not shown)

For Technical Assistance on
Dexter axles and brakes
please write or phone:

Phillips Industries Inc.
Dexter Axle Division
222 Collins Road
Elkhart, Indiana 46516

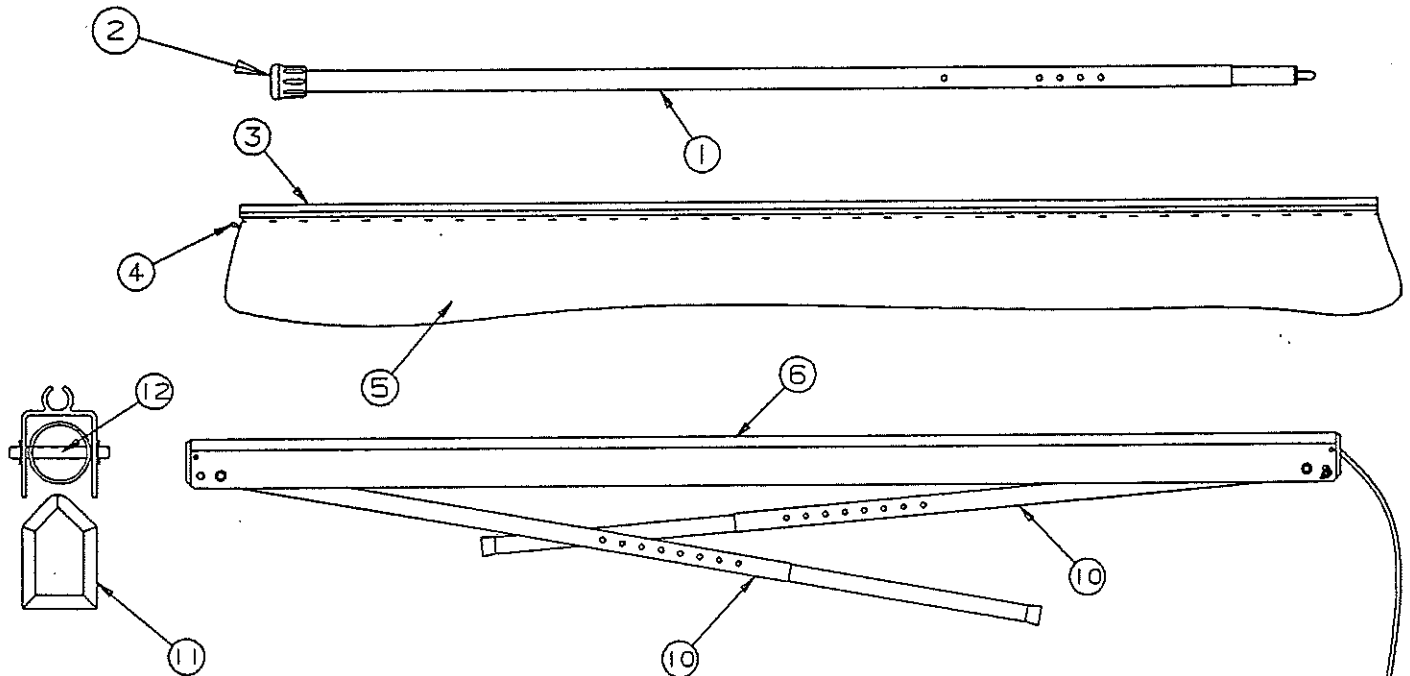
Phone: 219/295-1900



ELECTRIC BRAKE PACKAGE (4714H2011)

CODE	PART NO.	DESCRIPTION
1	4733A3521	Brake assy (right hand)
	4733A3531	Brake assy (left hand)
2	4714A2201	Grease seal x2, M4 (Fleetwood axle only)
	4714-2288	Grease seal x2 (Dexter axle only)
3	4716-1101	Bearing & race package x4
4	4716A1071	Hub & drum assy x2
5	4747A9528	Lug nut x10 (per brake pkg)
6	4714-3068	Spindle nut, (slotted) x2
7	1204-1268	Cotter pin x2
8	4714A0621	Dust cap x2, M4

1995 ACCESSORY



2900 SERIES SELF-STORING CANOPIES

4724D7571	Canopy, 8'	2970, 2974, 2975, 2976
4724M7011	Canopy, 8 1/2'	2977
4747D6561	Canopy, 10'	2989, 2996, 2987
4724M7021	Canopy, 11'	2993, 2994, 2910, 2995, 2998, 2930, 2934, 2935, 2941
4752-5941	Canopy, 12'	2986

SELF-STORING CANOPY - COMPONENT PARTS

CODE	PART NO.	DESCRIPTION	
1	4723B5291	Rafter pole assembly M3, x3	
	4734-6708	Spring assembly	
	8470-1728	Blue pin, inner pole	
2	4751-8191	Crutch cap, M3	
	4064700289F	PVC vinyl seal (sold/foot)	
4	6650500130F	Chain zipper "grey"	
	1225-4461	Zipper pull "grey", M5	
5	4714A3821	Canopy bag 8' (grey)	
	4714B2681	Canopy bag 8 1/2' (grey)	
	4714A3831	Canopy bag 10' (grey)	
	4714A2691	Canopy bag 11' (grey)	
	4714-8251	Canopy bag 12' (grey)	
6	4749A2271	Canopy support 8'	
	4737D1391	Canopy support 8 1/2'	
	4747A9841	Canopy support 10'	
	4737C1541	Canopy support 11'	
	4752-8251	Canopy support 12'	
7	8460A1431	Poly rope 10 1/2' x2	
	4724B3931	Rope adjuster (wood)	
9	4724-2558	12" Hook stake x2 (plastic)	
	10	4737F5971	Pole assembly x2 M2
		8470-1748	Red cap x2
4734-6708		Spring clip x2	
11	4737B4258	End cap x2	
	4737-3208	Tek screw x2	
12	4720A2361	Rod & pal nuts	
	1201B7071	Pal nut, M6	

REPAIR PARTS

2900 SERIES SCREEN ROOMS

4747D6551	Screen Room 8'	2970, 2974, 2975
4724D7561	Screen Room 8 1/2'	2977
4747D6571	Screen Room 10'	2989
4750A2921	Screen Room 10'	2996, 2987
4728K5601	Screen Room 11'	2993, 2994, 2910, 2995, 2998
4750A2931	Screen Room 11'	2930, 2934, 2935
4723G7491	Screen Room 11'	2941
4752-5921	Screen Room 12'	2986

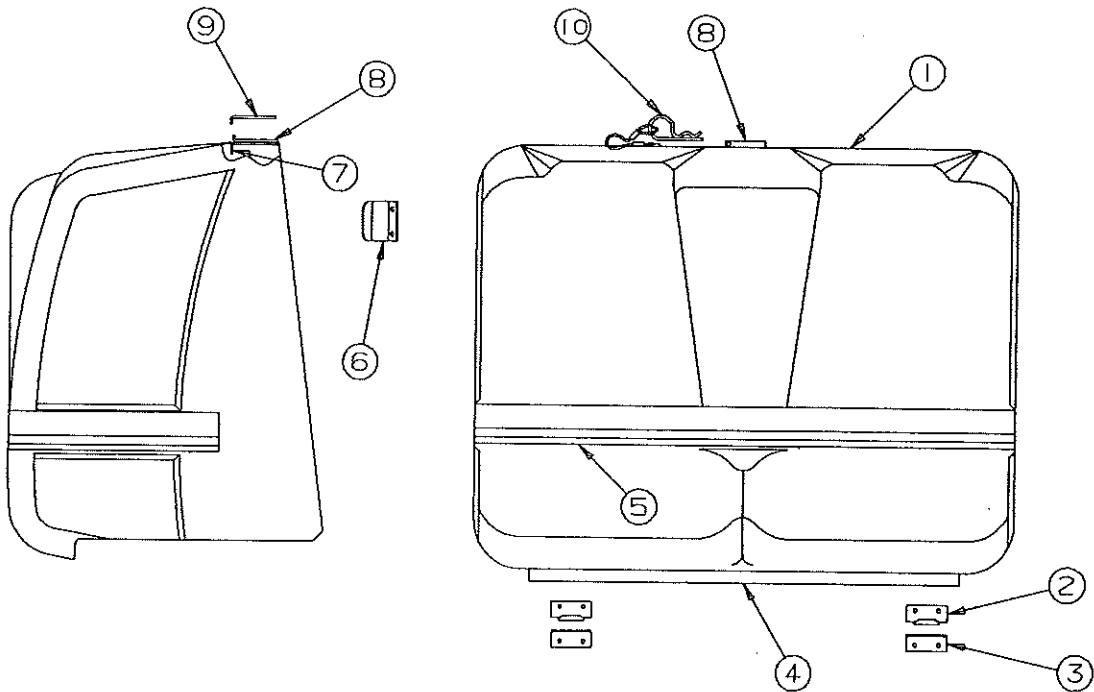
SCREEN ROOM COMPONENT PARTS

<u>CODE</u>	<u>PART NO.</u>	<u>DESCRIPTION</u>
1	4724A2558	10" Hook stake (plastic)
2	4716-3011	Screen room adapter pkg (left/right)
3	4720D4021	Lashing hook, M6
4	4733-4138	Tek screw
5	435000005F	Velcro hook (grey) (sold/yard) adhesive back
6	6650500130F	Zipper (entrance zipper) "grey" sold/yard
	1225A4188	Long double zipper pull
7	4724-7941	Screen room bag
	4060000045F	1/4" Heavy duty shock cord
	4724-2011	Shock cord clamp x4, M10
	1226-1228	#3 Brass grommet with teeth
	4716-073	"S" hook

DRESSING ROOM CURTAIN PACKAGE

<u>CODE</u>	<u>PART NO.</u>	<u>DESCRIPTION</u>
1	4739-1208	Mounting bracket x6
	4745-3968	Screw arctic white x12
	4752-3191	I-Beam track x1
	1203-9258	Accordion rivet x2

1995 ACCESSORY

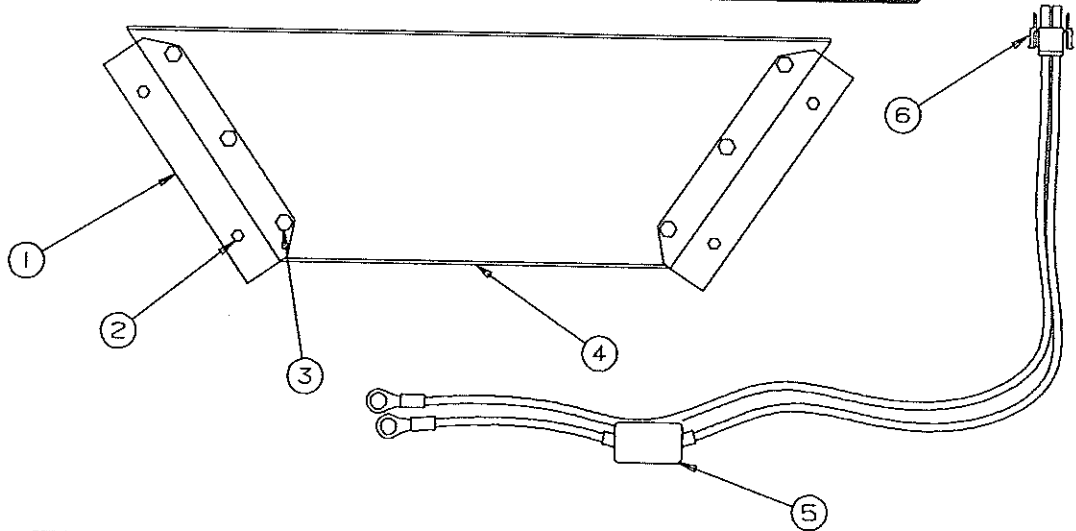


4749G1341 MOLDED GAS BOTTLE COVER, "AMERICANA"
4716B1341 Hardware Parts Pkg for Molded Cover Only

NOTE: Includes items marked with asterisk

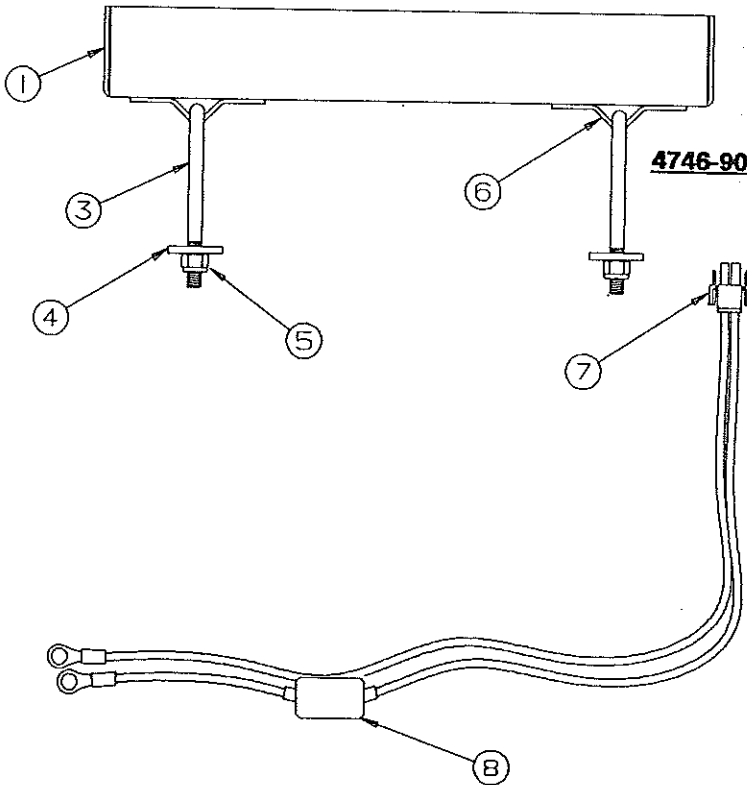
CODE	PART NO.	DESCRIPTION
1	4749A1851	Gas bottle cover (only)
2	* 4749A1968	Latch x2
	* 1202B0268	Washer x2 per latch
	* 4733D0601	Rivet x2 per latch, M25
3	4749-1958	Latch angle x2
	1203-8651	Rivet x4, M50
4	* 4749A2038	Stiffener angle
5	* 4350001381F	Trim tape (5 ft)
6	4747A9471	Keeper bracket x4
	4741B9658	Expansion rivet x8
7	* 4747C9361	Along-a-top
	* 4733D0601	Rivet x5, M25
8	* 4747A3121	Gas bottle cover strike
	* 4733D0601	Rivet, M25
9	4747B3111	Gas bottle cover latch
	4744-4611	Expansion rivet, M25
10	* 4732A4791	Safety pin M10
	* 4748-6111	Cable assembly
	* 4733D0601	Rivet x1, M25

REPAIR PARTS



4749-2001 BATTERY MOUNT KIT 'AMERICANA, PIONEER, DESTINY & FOUR SEASONS'
NOTE: USED ON ALL MODELS EXCEPT 2941 - AVALON, 2986 - STONY CREEK

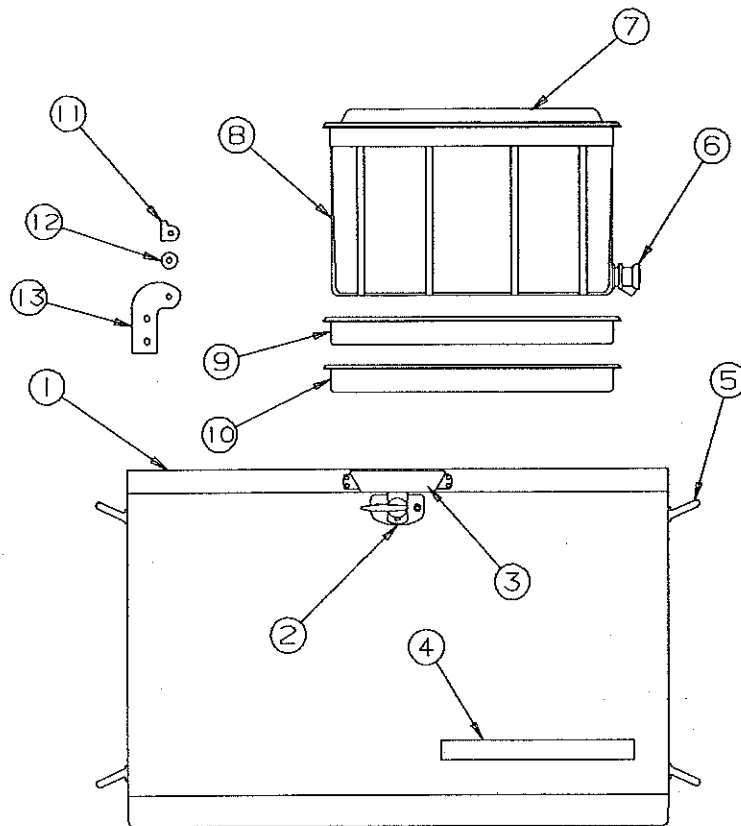
CODE	PART NO.	DESCRIPTION
1	4749-199	Battery angle x2
2	4738A0898	Bolt x4
3	1200E1268	Bolt x6
	1201E6038	Locknut x6
4	4749-198	Battery plate
5	4751-4811	15 AMP Circuit breaker
6	4749A5531	Wire harness w/circuit breaker
7	4746-4338	Caution decal (not shown)



4746-9001 BATTERY MOUNT KIT - AVALON & STONY CREEK ONLY

CODE	PART NO.	DESCRIPTION
1	4746-900	Battery pan
2	4746-904	"V" bracket x1 (large)
	1203-8641	Rivet x4, M50
3	4746-901	U-Bolt x2
4	4746-902	Strap x2 (metal)
5	1201B6028	Locknut x4
6	4746-903	"V" bracket (small)
	1203-8641	Rivet x4, M50
7	4749A5531	Wire harness w/circuit breaker
8	4751-4811	15 AMP Circuit breaker
9	4746-4338	Caution decal (not shown)

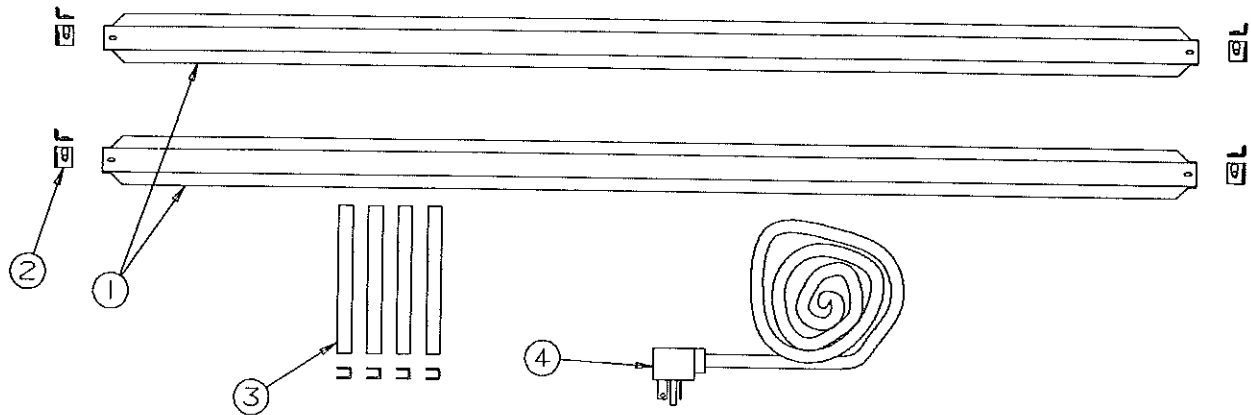
1995 ACCESSORY



4744E9001 CONVERTIBLE COOLER COMPONENT PARTS

CODE	PART NO.	DESCRIPTION
1	4744C9081	Cooler door
2	4744A8181	Latch (includes screws)
3	4744-8051	Latch cover
	4716-062	Screw x4
4	4744A8158	Decal
5	4744-8321	Cooler leg x4
	4741-8218	Hex head screw x8
6	4744-9071	Faucet assembly
	1212-0128	Grommet
	4744-8261	Plastic nut
7	4744-8331	Ice tub lid
8	4744-9051	Ice tub (includes faucet)
	Note: Ice tub lid sold separately	
9	4744-8171	Drip tray
10	4744-8031	Half tray x2
11	4744-9098	Right pivot
	4744-9108	Left pivot
	1107B0818	Screw (x2 per pivot)
12	4744-8308	Nylon spacer
13	4744-8291	Hinge plate (right)
	4744-8281	Hinge plate (left)
	4741-8218	Hex head screw x2

REPAIR PARTS



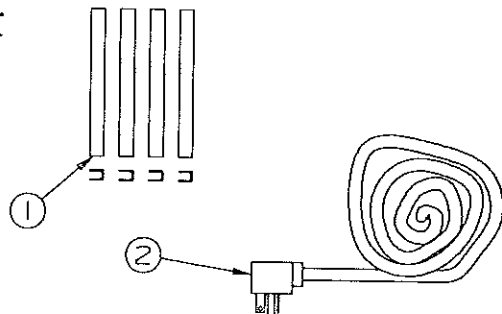
**4737H8091 MINI MACH/SUPER MACH AIR CONDITIONER KIT
"PIONEER, DESTINY & FOUR SEASONS SERIES"**

CODE	PART NO.	DESCRIPTION
1	4747A8901	Roof brace x2
	*1212-0128	Grommet x1
	*4744-3118	Grommet x4
	4350000022F	Foam tape
2	*4747A6951	Mounting bracket x4
	*4746B0538	Machine screw 1/4-20x1/2" "arctic white" x4
	*4747-2328	Sealing washer x4 (rubber)
	*4749A1098	Washer x4 "arctic white"
	*4747A1118	Bolt 1/4-20x1" "warm grey" x4
3	*4749A2121	Channel extrusion x4, M4
4	4748-6591	Power cord
	*4739-4158	Nylon clamp x3
	*4741C9368	Screw x3 (warm grey)
	*1202B2698	Washer x1
	*4723-3378	Strap assembly (velcro) x1
5	*4744A1301	Shear pin x1, M10
	*4741B9658	Expansion rivet x9
	*4741-4971	Dimpled bumper x2, M6
	*4752-244	Air conditioner decal
	*4752-245	Top trim x1
	*4350000032	Putty tape, 5'
	*4350000295F	Double stick tape
	*4350000058F	Foam tape 6"

4716H8091 Air Conditioner Hardware Pkg. (4737H8091 A/C Kit)
Note: Includes items marked with asterisk

**4742B9291 MINI-MACH/SUPER MACH AIR CONDITIONER KIT
"AMERICANA SERIES"**

CODE	PART NO.	DESCRIPTION
1	4749A2121	Channel extrusion x4, M4
2	4748-6591	Power cord
	4739-4158	Nylon clamp x3
	4741C9368	Screw x3
	4723-3378	Strap assembly (velcro) x1
	4350000032	Putty tape 5'
	4752-244	Air conditioner decal x1
3	4350000058F	Foam tape 6" (not shown)
4	1212-0128	Grommet x1 (not shown)





Trace - 3031431-5178

FLEETWOOD FOLDING TRAILERS, INC. INSTALLATION INSTRUCTIONS

1968-460
September 1995

MODEL NUMBER: 4753-6741 HOT WATER KIT

NOTE: This kit is for use on 1996 Santa Fe, Cheyenne, Bayport, Laramie, Yukon, Sun Valley and Key West models.

This kit contains:

1 - 4741-237	Elbow	1 - 4747A831	In line filter
14 - 1201-873	Clamp	2 - 1215-241	Flare nut
3 - 1103B1016	Screw	1 - 4750-342	Water heater
11 - 1103E101	SS Screw	2 - 4750-922	Elbow
1 - 4752-436	Faucet	1 - 4753-871	Faucet plate
1 - 4746-377	Fuse holder	1 - 4755-598	Water pump shelf
12 - 4737-848	Screw	2' - 4746-380C	Connector
1 - 4746-378	7 1/2 amp blade fuse	2 - 1103B1032	Screw
1 - 4716-1338	Water heater door	1 - 4741-925	Wood strip
25 - 4731-305	Hose clamp	1 - 1215-177	3/8" tee
1 - 4733A498	Rocker switch	4 - 4734-238	Connector
2 - 4738-308	Screw	1 - 4746-178	Grommet
1 - 4739A5696	Gas line assembly	2 - 4747-255	Expanda rivet
2 - 4741-235	Elbow	1 - 1968-460	Instruction sheet
4 - 4741-238	Tee	3' 402-14-000-02	Black wire
4 - 4741-239	Elbow	10' 402-14-006-02	Black w/blue tracer
2 - 1103B102	Screw	4' 402-14-000-01	White wire
2 - 4741A236	Tee	18" 435-00-016-99	Trim stripe
1 - 4741A918	Fuse label	18" 435-00-015-33	Trim stripe
1 - 4741C557	Pump	30" 06-00-250-03	Water fill
2 - 4744-150	Faucet	13' 406-00-375-03	3/8" ID Hose
4 - 4744-233	Conn. nut	15' 406-00-375-02	3/8" ID HP Hose
4 - 4744-234	Barb coupler	5' 435-00-000-22	1/2" x 1/4" Foam Tape

IMPORTANT NOTICE

These instructions are for the use of qualified individuals specifically trained and experienced in the installation of this type equipment and related system components. Installation and service personnel are required by some states to be licensed. Persons not qualified shall not attempt to install this equipment nor interpret the instructions.

CAUTION: Before installing, refer to the instructions included with the hot water heater. Failure to comply may damage the equipment and may create a hazard.

