

1994 PIONEER REF AIR PARTS

series

chesapeake cp

chesapeake

columbia

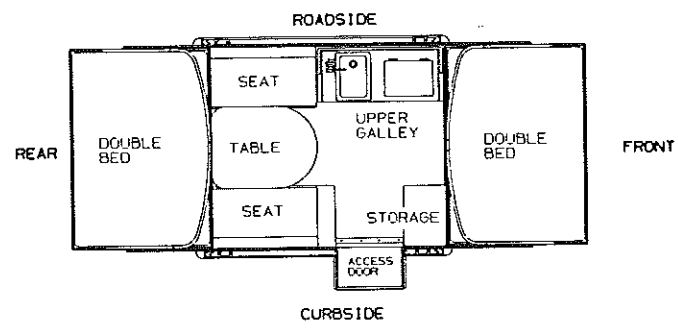
arcadia

avalon

FLEETWOOD

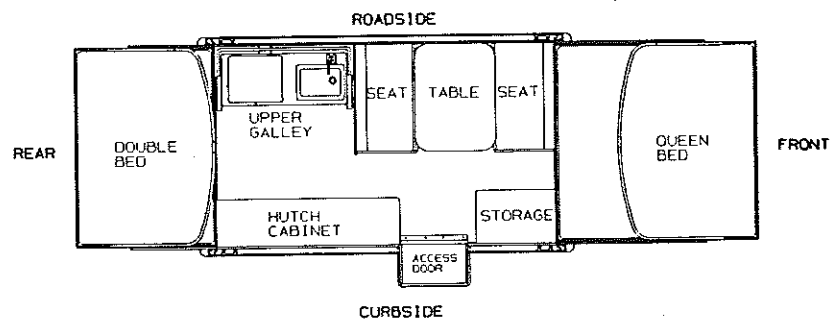
2877 COLUMBIA

8 1/2



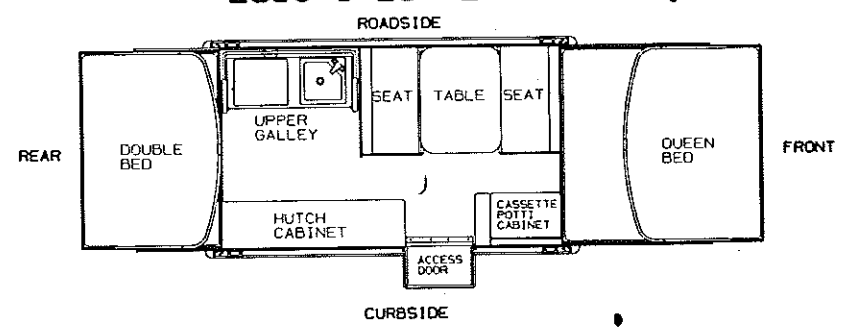
2893 CHESAPEAKE

11



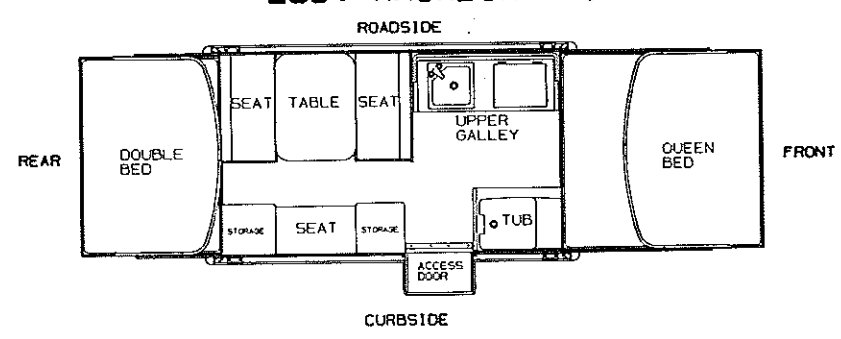
2893 CHESAPEAKE CP

11



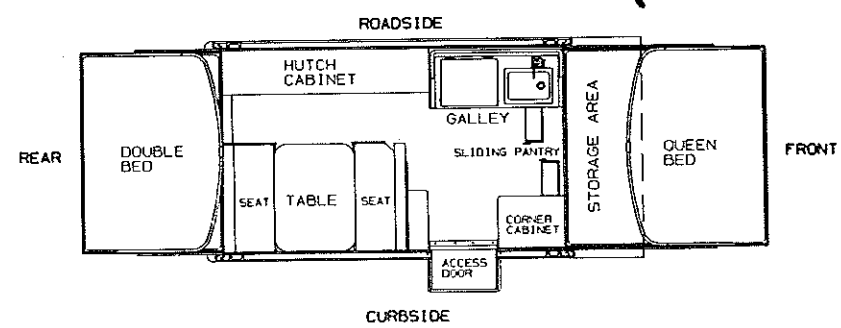
2894 ARCADIA

11



2841 AVALON

11



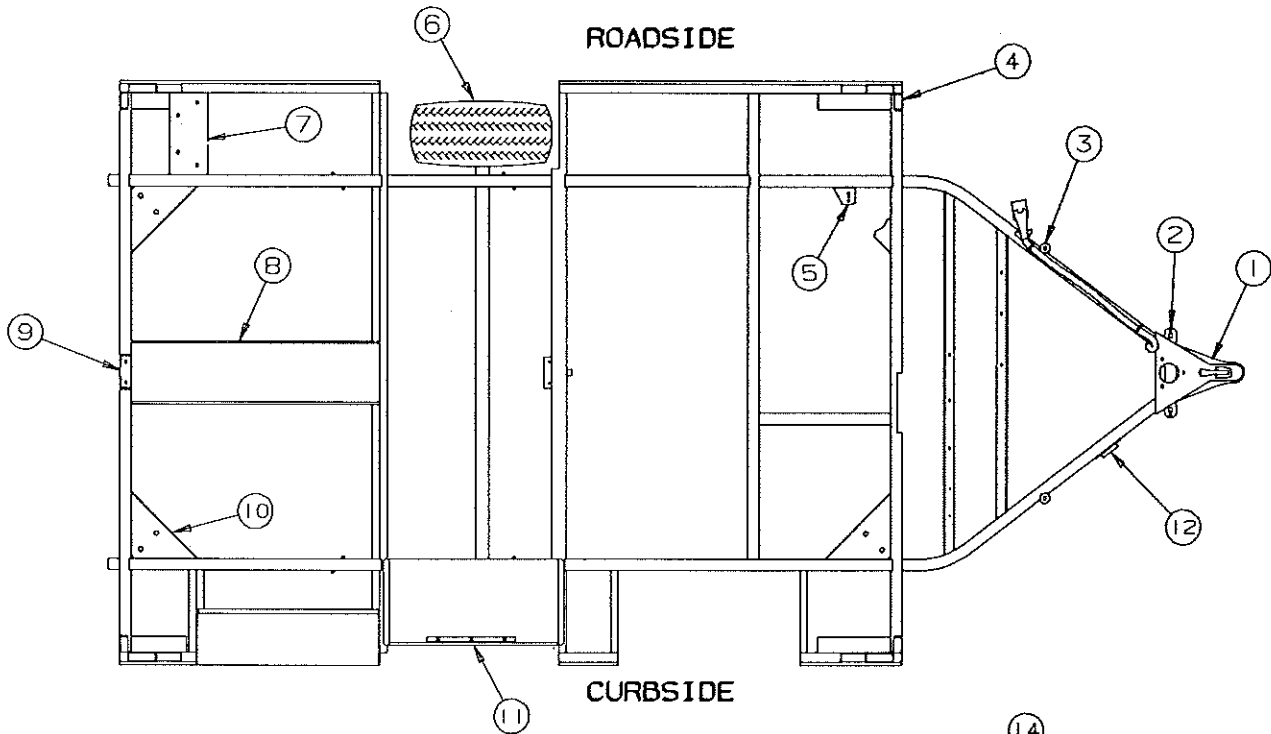
1994 PIONEER SERIES

TABLE OF CONTENTS

DESCRIPTION	PAGE NUMBER
Access door assembly & related parts	14
Access door bulkheads, front/right rear	13
Access door key	14, 36
Auto extension	31
Axle beam	6
Axle assembly & related parts	6
Bed assemblies & related parts	34
Bed extensions & related parts	35
Body panel - right front (curbside)	13
Body panel - right rear (curbside)	12
Body panel - rear panel & related parts	9
Body panel - front panel & related parts	8
Body panel - left side (roadside)	15
Cable hatch	15
Caulking	31
Chain (upper crank assembly)	3
City water fill	15
Converter & related parts	25
Cooler 48 qt (4748A9991)	25
Corner bulkhead assembly	2
Coupler assembly	2
Crank & sprocket assembly (crank up/crank down)	3
Crank handle	14
Cushion & backrest assemblies - covers	29
Drain hose (used on sink assemblies)	17
Drape packages/Single drape packages	41
Drape tie package	41
Drape tabs	41
Dressing room, curtain 2894 Arcadia	41
Electric brake package	7
Electric water pump, 2894 Arcadia, 2893 Chesapeake CP	38, 39
Electric brakes & related parts	7
Evolution III assemblies	40
Fire extinguisher	22, 26
Floor covering 6610507222	2
Frame assembly & related parts	2
Gas lines & related parts (outside stove)	36, 37
Gas bottle & related parts	37
Gas bottle mounting bracket	36
Gas hose (gas bottle)	36
Grease seal & bearings	6
Grease cap (dust cap)	6, 7
Hub assembly & related parts	6
Hutch/Seat assembly 2894 Arcadia	27
Hutch assemblies, 2893 Chesapeake, 2841 Avalon	22
Leaf springs & shackles	6
Lift assemblies & related parts	4
Lift trim & miter covers	9
Lower galley assemblies & related parts	18
Lower galley 2877 Columbia	18
Lower galley 2894 Arcadia	20
Lower galley 2893 Chesapeake	19
Lower galley 2841 Avalon	21
Lug nuts	6, 7
Mattress assemblies & covers	35
Paint (spray & quart cans)	31
Paneling & trim	40
Parts packages & related parts	36
Pigtail (car end)	2, 36
Potti (Porta Potti) 2894 Arcadia	1
Potti cabinet, 2893 Chesapeake CP	22
Potti (cassette potti) 2893 Chesapeake CP	22
Power cord, (converter)	23
Receptacle (outside)	12
Receptacles (inside)	23
Regulator & fittings	36
Rivets & usage	31
Safety chains	36
Screen door & related parts	32, 33
Screen door cables	32
Seat fronts	28
Seat assembly & related parts	28
Shower curtain, 2894 Arcadia	24
Shower cabinet 2894 Arcadia	24
Shower head & hose, 2894 Arcadia	24
Shower curtain rod assembly 2894 Arcadia	24
Sink & related parts	16
Sliding pantry & related parts 2841 Avalon	30
Spare tire mount package	36
Stabilizer handle	14
Stabilizer assembly	2
Storage area compartment, 2841 Avalon	10, 11
Storage cabinet (potti cabinet)	22, 23
Stove (outside stove & related parts)	25
Stove (upper galley assemblies)	17
Sunbrella tenting assemblies & components	41
T-molding (upper galley tops)	16
Table assembly & related parts	29
Taillights	9
Tent support assemblies & related parts	40
Thrust nut	5
Tire & rim	2
Tongue jack & related parts	3
Top latch	10, 11, 13
Top assemblies & related parts	42, 43
Trim tape	10, 11, 12, 13
Trim tape repair kits	10, 11, 12, 13
Upper galley assemblies & related parts	16
Upper galley lift bar & related parts	16
Valance packages	41
Water heater, 2894 Arcadia, 2893 Chesapeake CP	38, 39
Water heater door, 2894 Arcadia, 2893 Chesapeake CP	12, 15
Water pump hold down	16
Water tank 10 gallon 2894 Arcadia, 2893 Chesapeake CP	38
Water system, 2894 Arcadia, 2893 Chesapeake CP	38, 39
Water tank portable, throw-in-tank	39
Water pump (upper galley assembly)	16
Wheel well assembly	2
Wheel well covers, 2894 Arcadia	28
Whiffletree & related parts	5
Whiffletree extensions	5
Wire harness (trailer front)	2
Zipper (Evolution III/Sunbrella assemblies)	40, 41

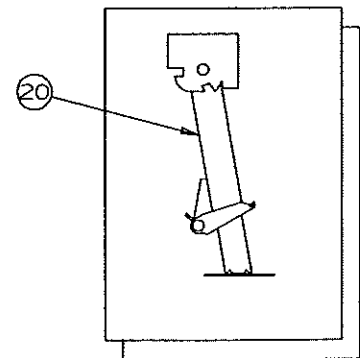
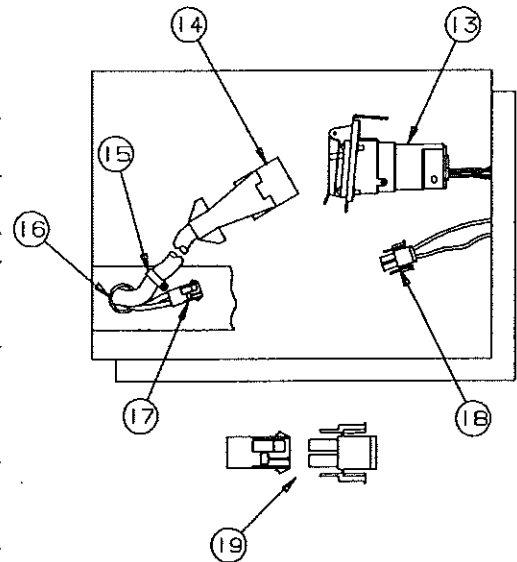
Porta Potti (4741F2858)
Standard equipment on 2894, Arcadia,
optional on other Pioneer units

1994 PIONEER SERIES



MAIN FRAME ASSEMBLY COMPONENT PARTS

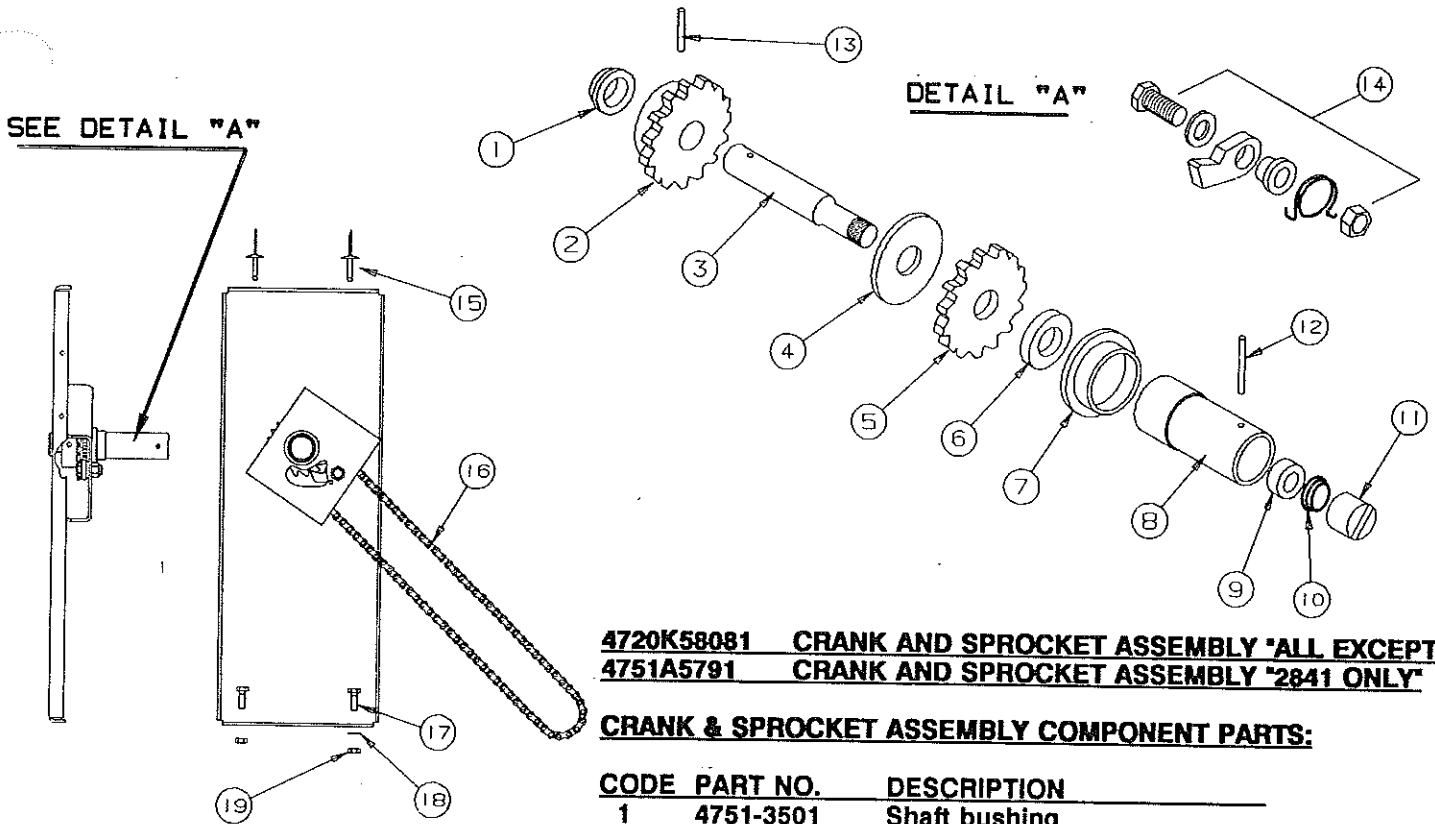
CODE	PART NO.	DESCRIPTION
1	4742-2001	2" Coupler assembly (all)
	4714A2211	2" Coupler repair kit
2	4748-6611	Chain bar w/pins (all except 2877)
	4720A3561	Chain bar (2877 only)
3	4747-8941	Pin cover, M2 (plastic) (2877 only)
4	4733C1541	Corner bulkhead x4
	4751A5541	Roadside front bulkhead (2841 only)
	4751A5531	Curbside front bulkhead (2841 only)
5	4732C3678	Adjustable pulley bracket x4
	4715A5371	Pulley & bearing, M10
	4720C1578	Short pin
	1204B1081	Cotter pin, M10
6	4749B2358	Tire & rim 10" LR "B" (2877, 2893)
	4749B8648	Tire & rim 10" LR "C" (2894, 2841, 2893 CP)
	4741-3268	Valve extension 2"
7	4749-627	Stabilizer support (rs) (all) 11'
	4749-626	Stabilizer support (cs) (all) 11'
8	4748-3411	Floor brace
9	4741B5601	Spare tire mount bulkhead (all except 2841)
	4751A5551	Spare tire mount (2841 only)
10	4744-668	Corner gusset
11	4741A3311	Wheel well assembly x2
12	4720A3331	Jack bracket
13	4746-5591	Pigtail (bargman) car end
14	4746-9811	Wire harness (bargman) - ct front
	4742-8961	Braided nylon sleeve
15	1201-8708	Clamp 3/8"
	4744A050	Tek screw
16	4742-8108	Snap bushing 1/4"
17	4716-5001	Power harness - ct end
18	4749A5531	Wire harness (connects to battery)
19	4716-4701	12 Volt cap & plug package
20	4720D0731	Stabilizer assembly x4
	4739-2298	Nut (2 per stabilizer)



REPAIR PARTS

SEE DETAIL "A"

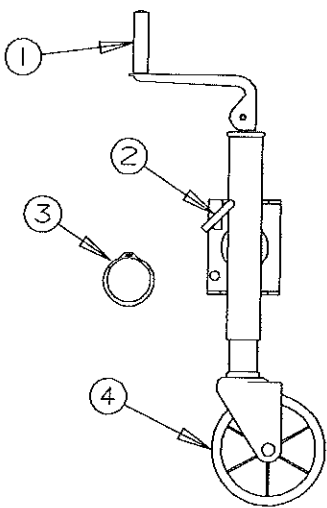
DETAIL "A"



4720K58081 CRANK AND SPROCKET ASSEMBLY 'ALL EXCEPT 2841'
4751A5791 CRANK AND SPROCKET ASSEMBLY '2841 ONLY'

CRANK & SPROCKET ASSEMBLY COMPONENT PARTS:

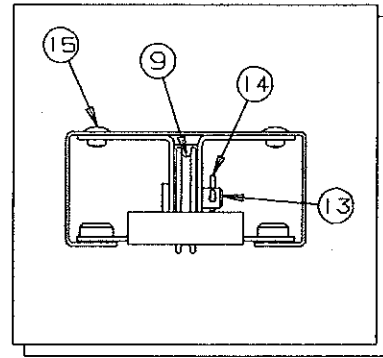
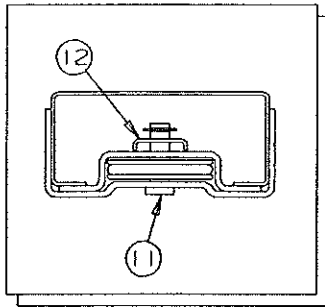
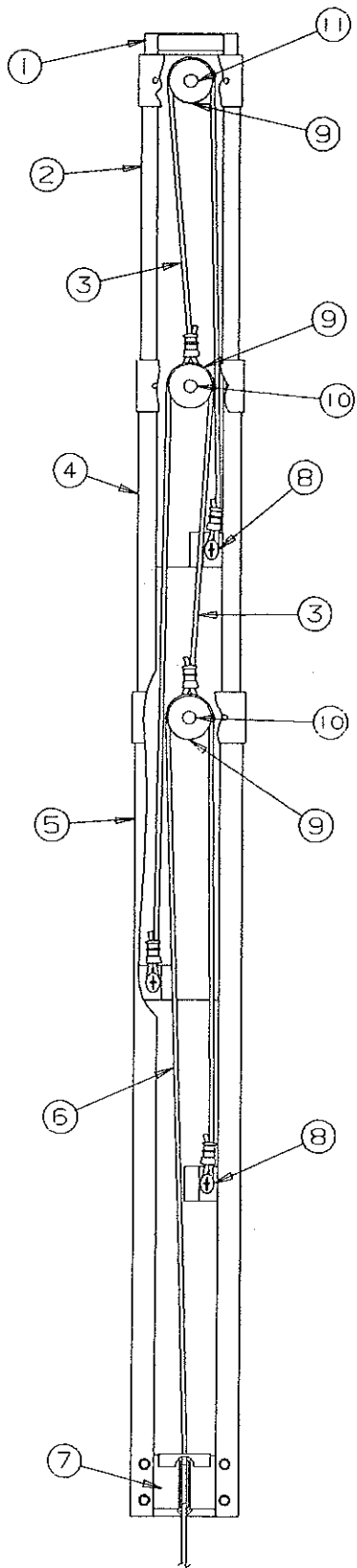
CODE	PART NO.	DESCRIPTION
1	4751-3501	Shaft bushing
2	4730B3858	24 Tooth sprocket
3	4751-3521	Drive shaft
4	4751-3561	Pressure plate
5	4751-3571	Ratchet wheel
6	4751-3581	Pressure washer
7	4751-3591	Shaft bushing
8	4751-6511	Drive hub extension
9	4751-4671	Nylon spacer
10	4751-3531	Handle spring
11	4751-3551	Slotted nut
12	4747A9451	Spiral roll pin, M6
13	4720B1481	Roll pin x2, M10
14	4716-1221	Ratchet pawl package
15	1203C8721	Rivet x2, M25
16	4730E3691	Chain (Includes connecting link)
	4730A3811	Connecting link
	4714-0351	Half link
17	4731-3878	Hex head bolt x2
18	1202B0438	Washer
19	1201B6038	Hex nut x2



Tongue Jack Assembly, 4720B6661

CODE	PART NO.	DESCRIPTION
1	4714-2821	Jack handle kit, M2
2	4714-2818	Locking plunger kit
3	4720A3341	Snap ring
4	4716-6661	Jack wheel, nut & bolt

1994 PIONEER SERIES

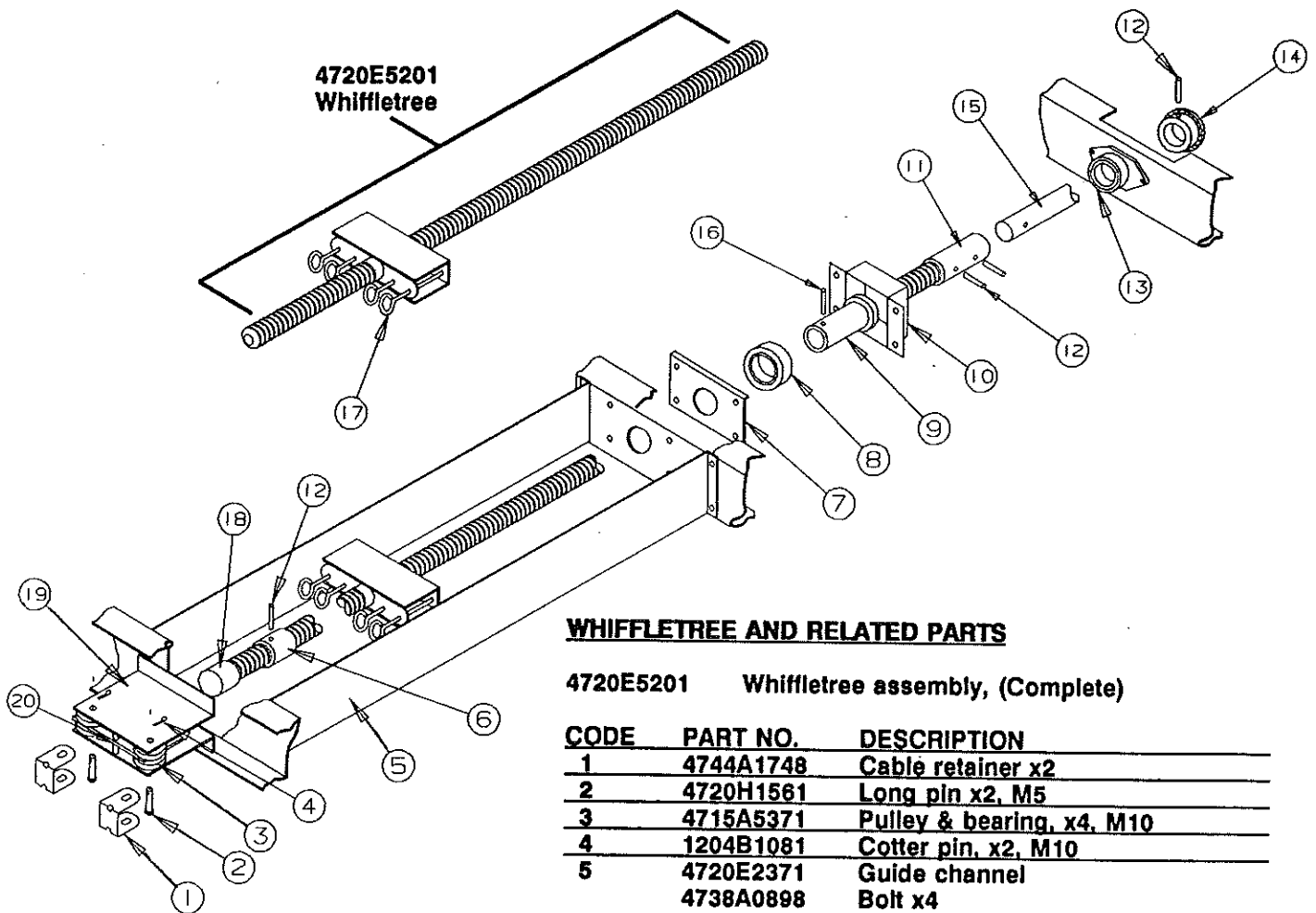


LIFT ASSEMBLIES

4716A0011 - Lift assembly, Roadside Rear/Curbside Front
4716A0021 - Lift assembly, Roadside Front/Curbside Rear

CODE	PART NO.	DESCRIPTION
1	4720E5181	Top lift assy (4716A0021)
	4739B6741	Top lift assy (4716A0011)
2	4720E5171	Center lift assy (4716A0021)
	4739B6731	Center lift assy (4716A0011)
3	4720C5271	Cable assy x2, M2 (both)
	4720C1691	Steel cable crimp, M20
4	4720F5161	Bottom lift assy (4716A0021)
	4739B6751	Bottom lift assy (4716A0011)
5	4720H5151	Stationary lift assy (both)
6	4751-6391	Stainless steel cable assy M2 (223" long) (includes 2 copper cable crimps in package)
	4744-1318	Copper cable crimp, M10
7	4731C5801	Butterfly bracket assy
8	4749-2081	Screw x3, M6
9	4715A5371	Steel pulley & bearing x4, M10
10	4747-8931	Long pin, x2
	4730B0981	Retaining ring, M12
11	4749-4061	Pin short x1, M4
	4730B0981	Retaining ring, M12
12	4749A2028	Retaining clip
13	4720C1578	Lift pin x1
14	1204B1081	Cotter pin, M10
15	1203-8641	Rivet x4, M50
16	4738A0898	Lift bolt x4 per lift (not shown) (mount lift to frame channel)

REPAIR PARTS



WHIFFLETREE AND RELATED PARTS

4720E5201 Whiffletree assembly, (Complete)

CODE	PART NO.	DESCRIPTION
1	4744A1748	Cable retainer x2
2	4720H1561	Long pin x2, M5
3	4715A5371	Pulley & bearing, x4, M10
4	1204B1081	Cotter pin, x2, M10
5	4720E2371	Guide channel
	4738A0898	Bolt x4
	1201B6038	Hex nut x4
6	4710A4248	Bushing
7	4720C2418	Plate
8	4720A2421	Thrust nut bearing
9	4720B2388	Thrust nut
10	4720B2408	Retainer
11	4720D1221	Coupling
12	4720B1481	Roll pin, M10
13	4741B8408	Bearing (front cross channel)
	1200B3048	Bolt x2
	1202B0468	Washer x2
	1201B6068	Nut x2
14	4730B3848	Sprocket (12 tooth)
15	4737E1191	Whiffletree extension 2877
	4751A1691	Whiffletree extension 2841
	4739D00181	Whiffletree extension 2893, 2894
16	4744A1301	Shear pin, M10
17	4744-44561	Screw eye x4, M4
	1201B6078	5/16" Locknut x8
18	4730D1291	Screw socket x1 (welded to cross channel)
19	4720-1551	Pulley plate
20	4715C5661	Pulley spacer

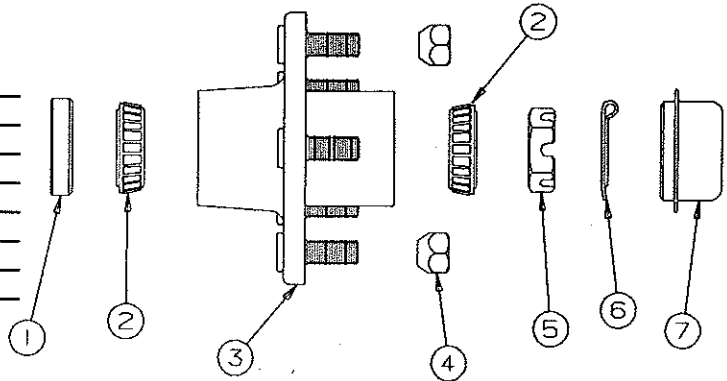
1994 PIONEER SERIES

HUB ASSEMBLY & RELATED PARTS

CODE	PART NO.	DESCRIPTION
1	4714A2201	Grease seal x1, M4
2	4716-1101	Bearing & race pkg
3	4738D0451	Hub w/race & lug nuts
4	4747A9528	Lug nut x5
5	4714-3068	Slotted spindle nut, x1
6	1204-1268	Cotter pin x1
7	4714A0621	Grease cap x1, M4

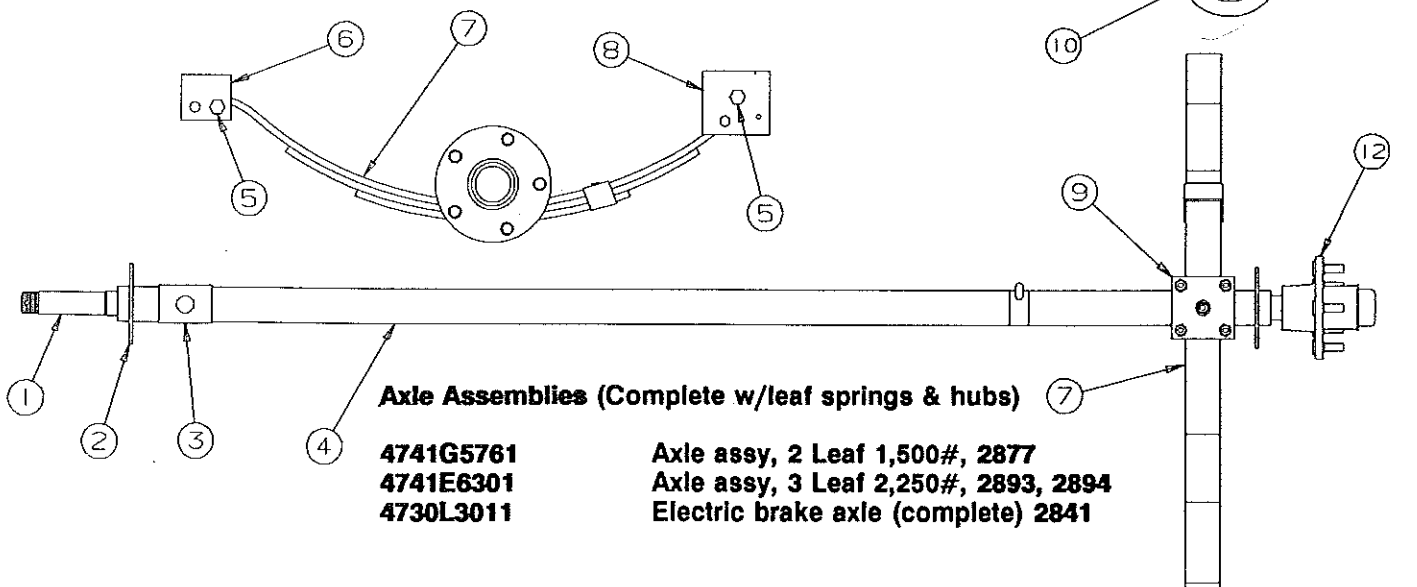
Crossover numbers to purchase locally

CODE	PART NO.	DESCRIPTION
A	13194TB	Grease seal
B	L44649	Bearing
C	L44610	Race



AXLE & SPRING COMPONENTS

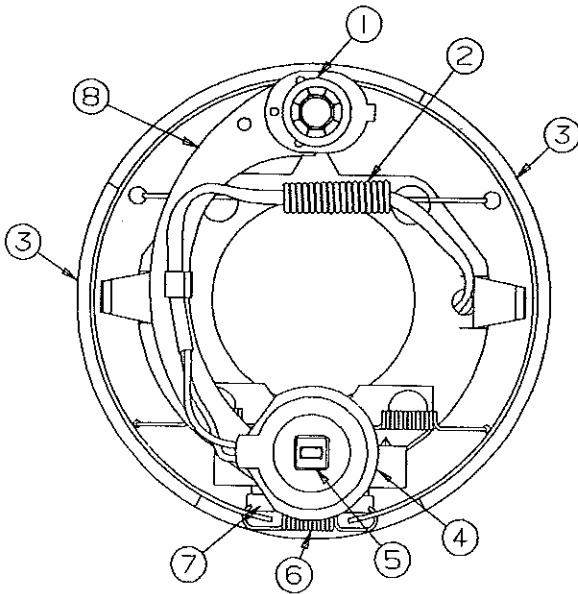
CODE	PART NO.	DESCRIPTION
1	4741B8491	Spindle
2	4741A847	Brake mounting plate
3	4741-8461	Spring pad channel, M2
4	4741D6251	Axle beam (all except 2841 Avalon)
NOTE: Axle beam not available for 2841, Avalon must order complete axle assembly (4730L3011)		
5	4737A1318	Shackle bolt
	4741-9498	Shackle bolt nut
6	4741A3398	Spring shackle
7	4741B3381	Leaf spring, 2 leaf 750#, 2877
	4735C2201	Leaf spring, 3 leaf 1000#, 2893, 2894, 2841
8	4741B3398	Spring shackle
9	4741-8458	U-bolt plate
10	4741A8438	U-bolt
11	4741-9358	U-bolt nut
12	4738D0451	Hub w/race & lug nuts



Axle Assemblies (Complete w/leaf springs & hubs)

- 4741G5761 Axle assy, 2 Leaf 1,500#, 2877
- 4741E6301 Axle assy, 3 Leaf 2,250#, 2893, 2894
- 4730L3011 Electric brake axle (complete) 2841

REPAIR PARTS



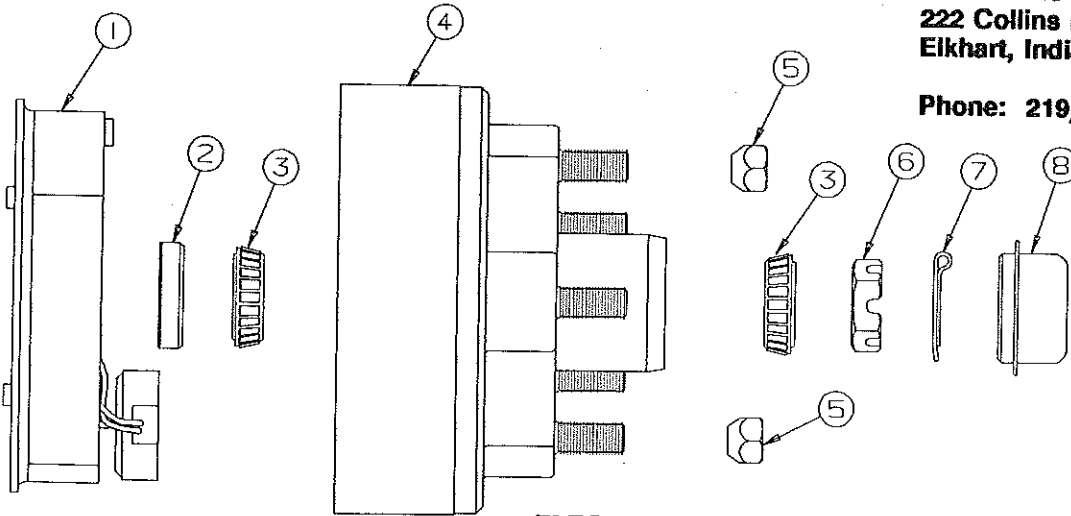
ELECTRIC BRAKE COMPONENTS

CODE	PART NO.	DESCRIPTION
1	4714A2461	Anchor post clip x2, M2
2	4714A2411	Retractor spring
3	4714B2071	Brake shoes (primary & secondary)
4	4714D2451	Magnet package (white wires) (Includes: 1 magnet, 1 spring & 1 retainer clip)
5	4714B2471	Retainer clip, M2
6	4714A2101	Adjusting screw spring
7	4714A2041	Adjusting screw
8	4714A2841	Actuating lever arm package (includes: Right hand & Left hand arms)
9	4714B2421	Magnet housing spring (not shown)

For Technical Assistance on
Dexter axles and brakes
please write or phone:

Phillips Industries Inc.
Dexter Axle Division
222 Collins Road
Elkhart, Indiana 46516

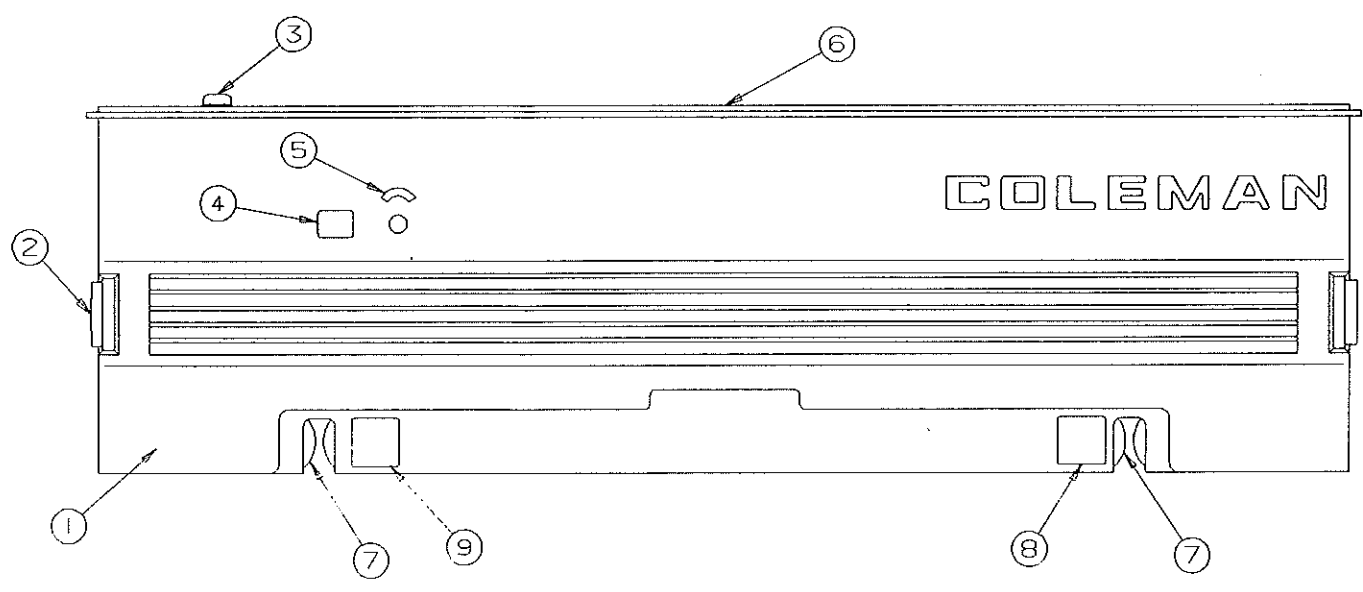
Phone: 219/295-1900



ELECTRIC BRAKE PACKAGE (4714H2011)

CODE	PART NO.	DESCRIPTION
1	4733A3521	Brake assy (right hand)
	4733A3531	Brake assy (left hand)
2	4714A2201	Grease seal x2, M4
3	4716-1101	Bearing & race package x4
4	4716A1071	Hub & drum assy x2
5	4747A9528	Lug nut x10 (per brake pkg)
6	4714-3068	Spindle nut, (slotted) x2
7	1204-1268	Cotter pin x2
8	4714A0621	Grease cap x2, M4

1994 PIONEER SERIES



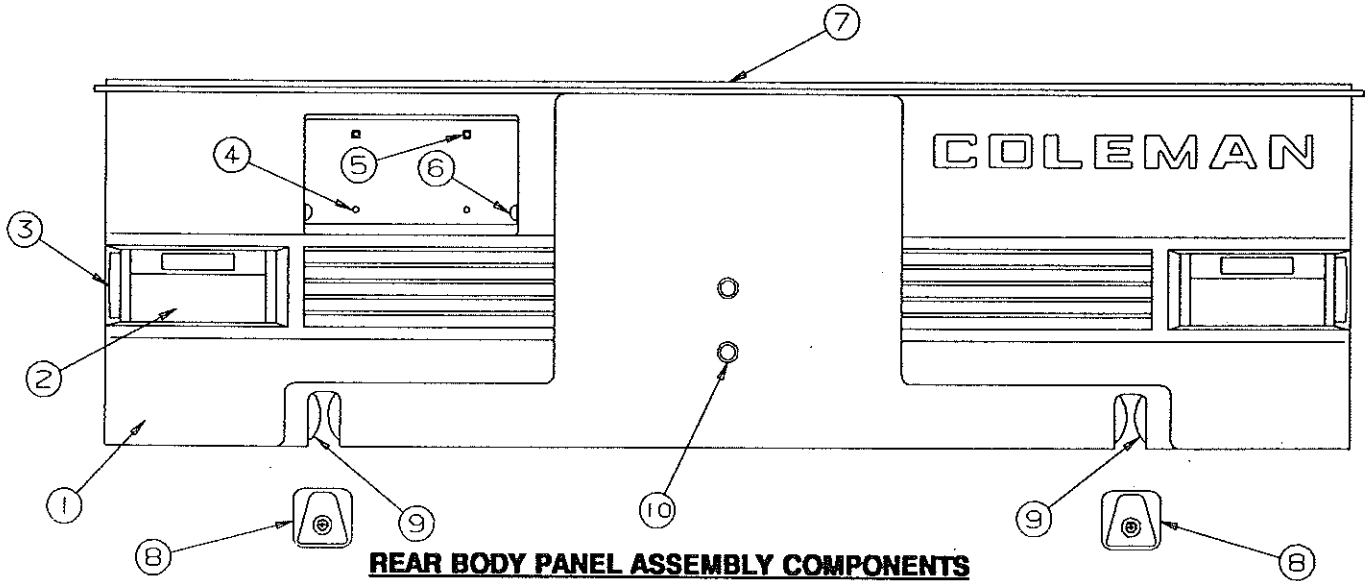
FRONT BODY PANEL ASSEMBLY COMPONENTS

NOTE: All panels are shipped less hardware & decals.

2800 Pioneer Series Body Panel Repair Kit
4716E2121 Front/Rear Body Panel Hardware & Decal Kit

CODE	PART NO.	DESCRIPTION
1	4737H8601	Front body panel (all except 2841, Avalon)
	4751A5711	Front body panel (2841, Avalon only)
NOTE: See Page 11 for component parts for 2841 front body panel		
2	4714G08481	Amber lens & base x2
	4745-3968	Screw "arctic white" x2 per light
	4714-3701	Bulb M4 (#194)
	4733G1311	Socket & harness x1 per light
3	4734D1538	Bed stop angle x1
	1103E1018	Screw "ss" x2
4	4737E3638	Caution latch decal
5	4730H3188	"Open" decal
6	4720K18081	Front end rail (all except 2841)
	4747-2558	Expansion rivet x5
7	4737B4458	Frame gasket x2
8	4730J2138	Gas piping decal
9	4742-8598	Gas piping decal

REPAIR PARTS



REAR BODY PANEL ASSEMBLY COMPONENTS

NOTE: All panels are shipped less hardware & decals.

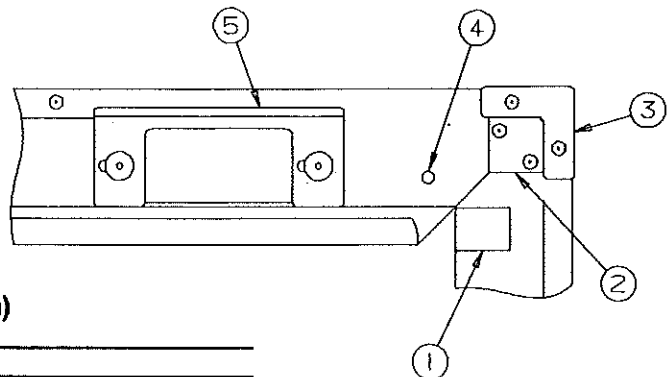
2800 Pioneer Series Body Panel Repair Kit

4716E2121 Front/Rear Body Panel Hardware & Decal kit

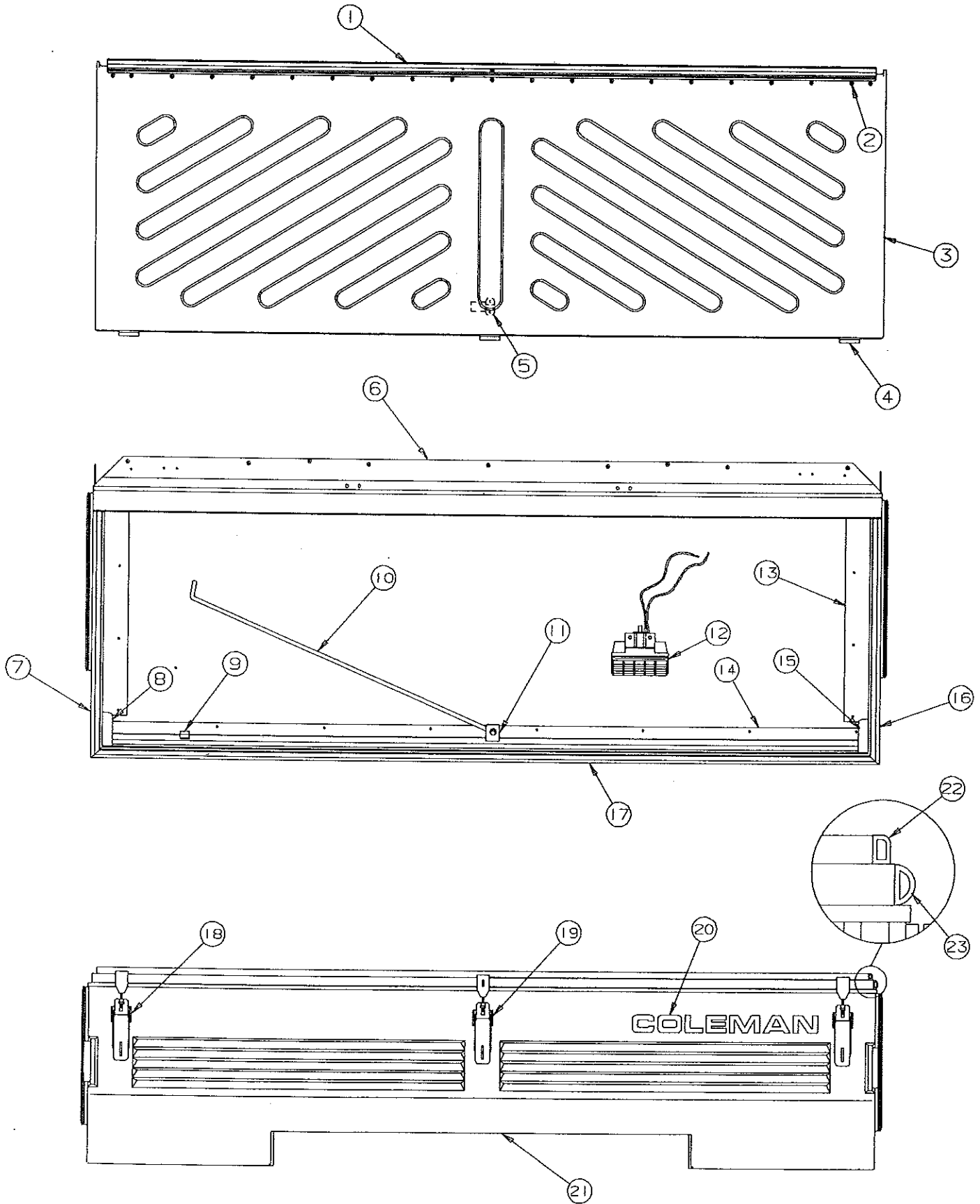
CODE	PART NO.	DESCRIPTION
1	4737F8621	Rear body panel (all except 2841, Avalon)
	4751A2261	Rear body panel (2841, Avalon only)
2	4749A4321	Taillight assembly x2
	4716-1041	Taillight lens (only)
	4747-2558	Expansion rivet x4
3	4714G08581	Red lens & base x2
	4745-3968	Screw "arctic white" x2 per light
	4714-3701	Bulb, M4 (#194)
	4733G1311	Socket & harness x1 per light
4	4737A0728	Black rubber bumper x2
5	4732-1181	Plastic grommet, M4
	1121C1618	License plate screw x2
6	4739B4311	License plate light
7	4737D8811	Rear end rail (all)
	4747-2558	Expansion rivet x5
8	4744B5571	Bumper pad assembly
	1200B3038	Bolt x1 per pad
9	4737B4458	Frame gasket x2
10	4744B8598	Hole plug x2

LIFT TRIM & MITER COVERS

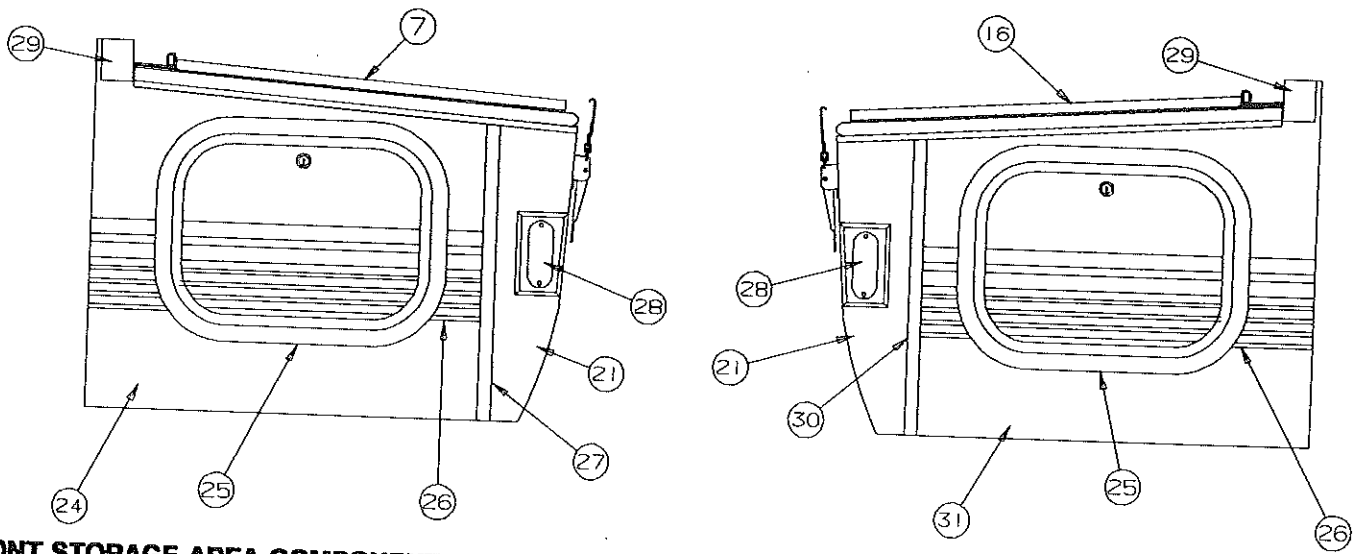
CODE	PART NO.	DESCRIPTION
1	4747-2171	Bug hole patch
2	4716B9111	Inner miter cover, M4
	4747-2558	Rivet x1
3	4716C9101	Outer miter cover, M4
	4747-2558	Rivet x2
4	4741-8218	Screw
5	4734B4121	Lift trim
	4747-8651	Foam tape, M4 (under lift trim)
	1203-8831	Rivet x2, M25
6	4710-3621	Roll pin x4, M10 (not shown)
7	4716-081	Screw (to hold tent section in place) (not shown)
8	4723B8071	Velcro hook 2" x 2" square (not shown)



1994 PIONEER SERIES



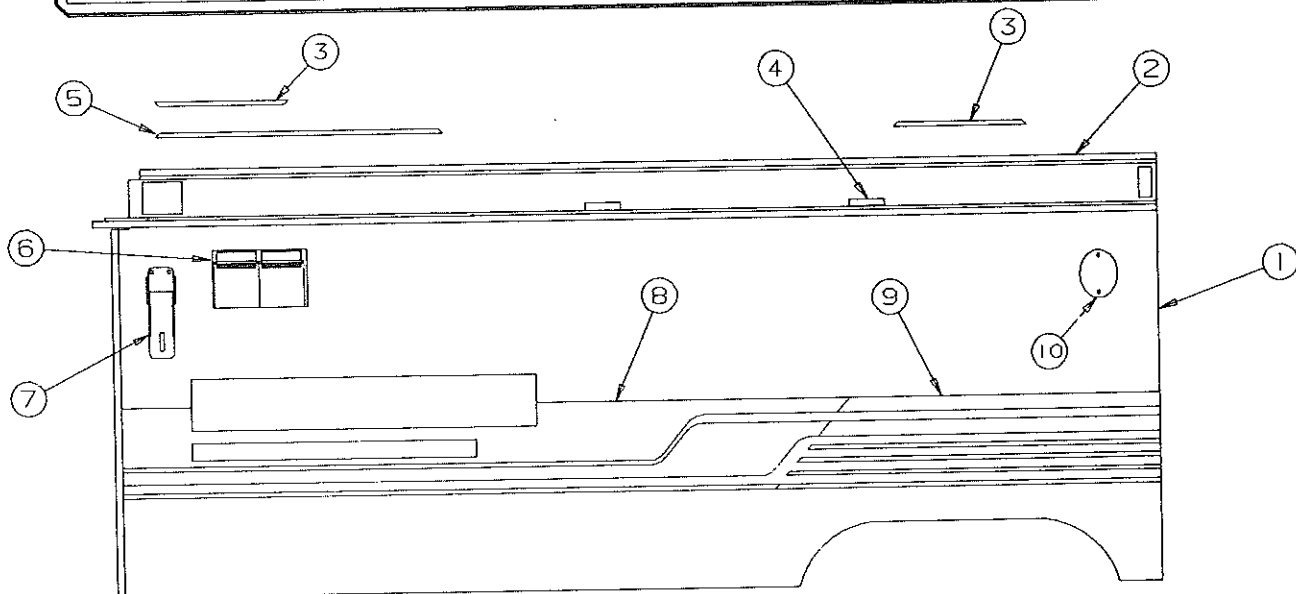
REPAIR PARTS



FRONT STORAGE AREA COMPONENT PARTS - 2841 AVALON

CODE	PART NO.	DESCRIPTION
1	4751-2441	Lid hinge (plastic)
	4751-2431	Hinge angle (not shown)
2	4751-1551	Rivet x21 "arctic white", M25
3	4751A5321	Lid assembly (complete w/hinge & hardware)
4	4749B1441	Latch strike x3, M2
	4751-1248	Backing plate x3
	4751-1551	Rivet x2 per strike, M25
5	4746C0701	Support bracket
	4745-3968	Screw x2 "arctic white"
6	4751-2821	End rail/rain gutter
7	4751A0971	Curbside cap
	1103E1018	Screw x4
8	4751-2731	Curbside light cover
9	4720A0721	Cooler clip x1, M2
	4737-8488	Screw x2
10	4751-1181	Prop rod
	4751-1208	Push nut
11	4751-1191	Prop rod bracket
	4737-8488	Screw x2
12	4751-0921	Cargo light
	1203-8951	Rivet x2 M25
13	4751-109	Angle x2
14	4751A261	Front angle
15	4751-2641	Roadside light cover
16	4751A0961	Roadside cap
	1103E1018	Screw x4
17	4751A0951	Front cap
	1103E1018	Screw x9
18	4741C6041	Top latch x2 "w/o lock"
	4745-3968	Screw x4 "arctic white"
19	4715F5051	Top latch x1 "w/lock"
20	4745B1908	Coleman logo
21	4751A5711	Front body panel assembly
22	4060000025F	Lid seal - sold/foot, 17' required
23	4060000027F	"D" seal - sold/foot, 11' required
24	4751B5731	Storage compartment side "curbside"
25	4751A0981	Storage compartment door
	4751-8301	Camlock & "O" ring
	4730A3211	Key, M10
26	4350001401F	Trim tape (2 1/2' required)
27	4751-2661	Panel joint "curbside"
28	4714G08481	Amber lens & base
	4750-3748	Marker light gasket
NOTE: See Page 8 for marker light components		
29	4751-2471	Trim angle x2
30	4751-2671	Panel joint "roadside"
31	4751B5741	Storage compartment side "roadside"

1994 PIONEER SERIES

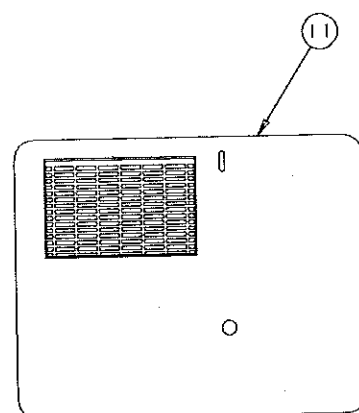


CURBSIDE RIGHT REAR BODY PANEL & COMPONENTS

Note: All panels are shipped less trim tape & decals

2800 Pioneer Series Body Panel Repair Kit
4716F2101 Curbside Body Panel Hardware & Trim Tape Kit

CODE	PART NO.	DESCRIPTION
1	4737F8611	Body panel, 2877
	4744C0531	Body panel, 2893
	4748A4381	Body panel, 2894
	4751-1661	Body panel, 2841
2	4739E270	Body rail 2877
	4744B063	Body rail 2893
	4742A874	Body rail 2894
	4751A163	Body rail 2841
	1203-8641	Rivet, M50, (rail to panel)
	4723B8071	Velcro hook 2" x 2" square
	4724G2631	Velcro hook 3/4" wide
4710-3621	Roll pin, M10	
3	4737-0738	Bed slide, 6 3/16"
4	4734D3051	Stove bracket x2 (grey)
	4734F1861	Rivet, M25 (3 per bracket) (grey)
5	4730B1211	Bed slide, 16 3/16", M4
	4350000093F	Double stick tape
6	4746A3861	Duplex cover & outlet
	4746-3871	Duplex box
	1203-8678	Rivet x4
7	4741C6041	Top latch without lock
	4749-4848	Foam pad
	4741-8218	Hex head tex screw x4
8	4748B8928	Curbside die cut (all)
		NOTE: Die cut includes Pioneer & Fleetwood logo
9	4350001401F	Trim tape 6 ft required
10	4733-2818	RVIA tag
	1203-8678	Rivet x2
11	4714H3391	Water heater door, 2894



REPAIR PARTS

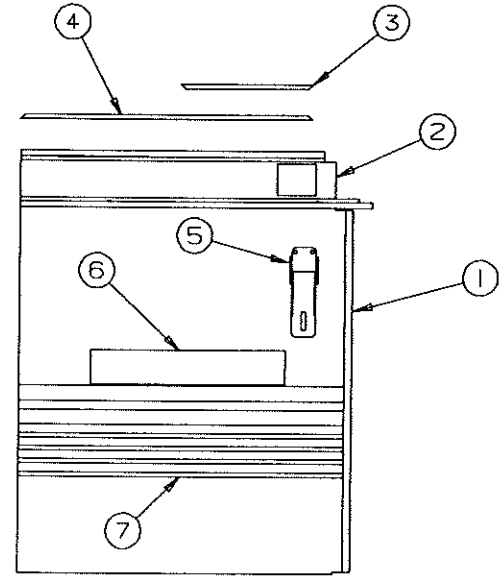
CURBSIDE RIGHT FRONT BODY PANEL & COMPONENTS

Note: All panels are shipped less trim tape & decals

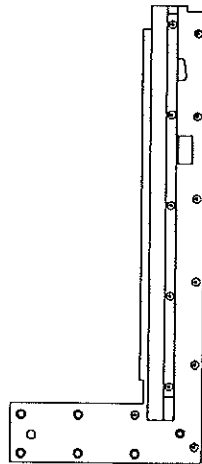
2800 Pioneer Series Body Panel Repair Kit

4716F2101 Curbside Body Panel Hardware & Trim Tape Kit

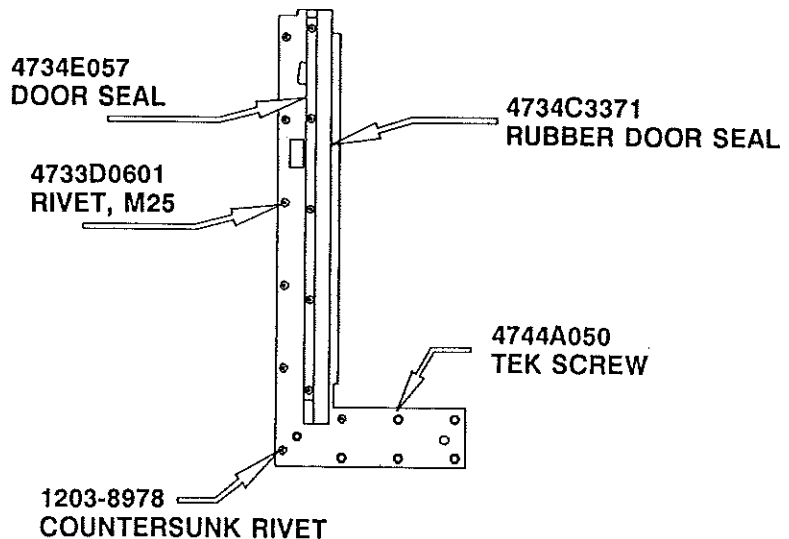
CODE	PART NO.	DESCRIPTION
1	4737F8571	Body panel, 2877
	4744C0551	Body panel, 2893
	4748B4371	Body panel, 2894
	4751-1641	Body panel, 2841
2	4744-046	Body rail, 2877
	4744A065	Body rail, 2893, 2894
	4751-161	Body rail, 2841
	1203-8641	Rivet, M50 (rail to panel)
	4723B8071	Velcro hook patch 2"x2"
	4724G2631	Velcro hook patch 3/4"
	4710-3621	Roll pin, M10 - x4
3	4737-0738	Bed slide 6 3/16" (top of rail) (all)
4	4730B1211	Bed slide 16 3/16" 2877
	4744-2621	Bed slide 32" 2893, 2894
	4751-2121	Bed slide 24" 2841
5	4715F5051	Top latch (with lock)
	4749-4848	Foam pad x1
	4741-8218	Hex head tek screw x4
6	4737J8808	Name decal (Columbia)
	4739J1918	Name decal (Chesapeake)
	4748B4748	Name decal (Arcadia)
	4751A2748	Name decal (Avalon)
	4752-2508	CP Logo
7	4350001401F	Trim tape 3ft required (all)



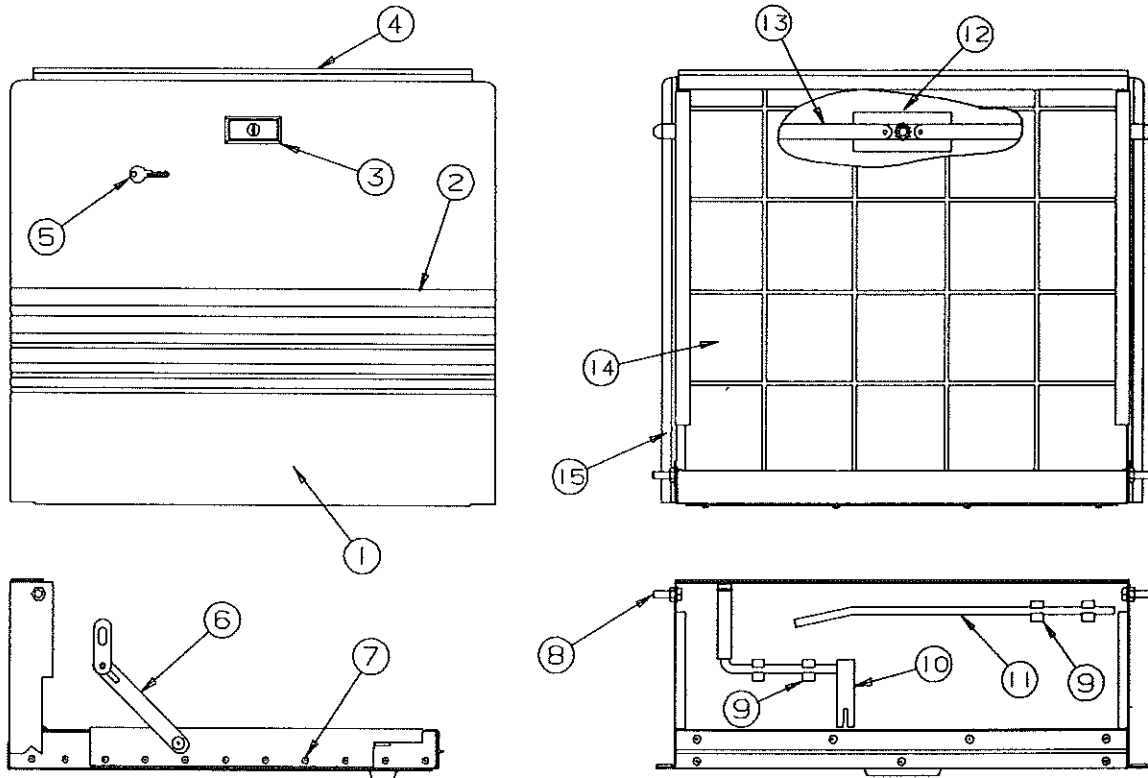
4733J50681
BULKHEAD ASSY.
(COMPLETE)
RIGHT FRONT PANEL



4733J50581
BULKHEAD ASSY.
(COMPLETE)
RIGHT REAR PANEL



1994 PIONEER SERIES

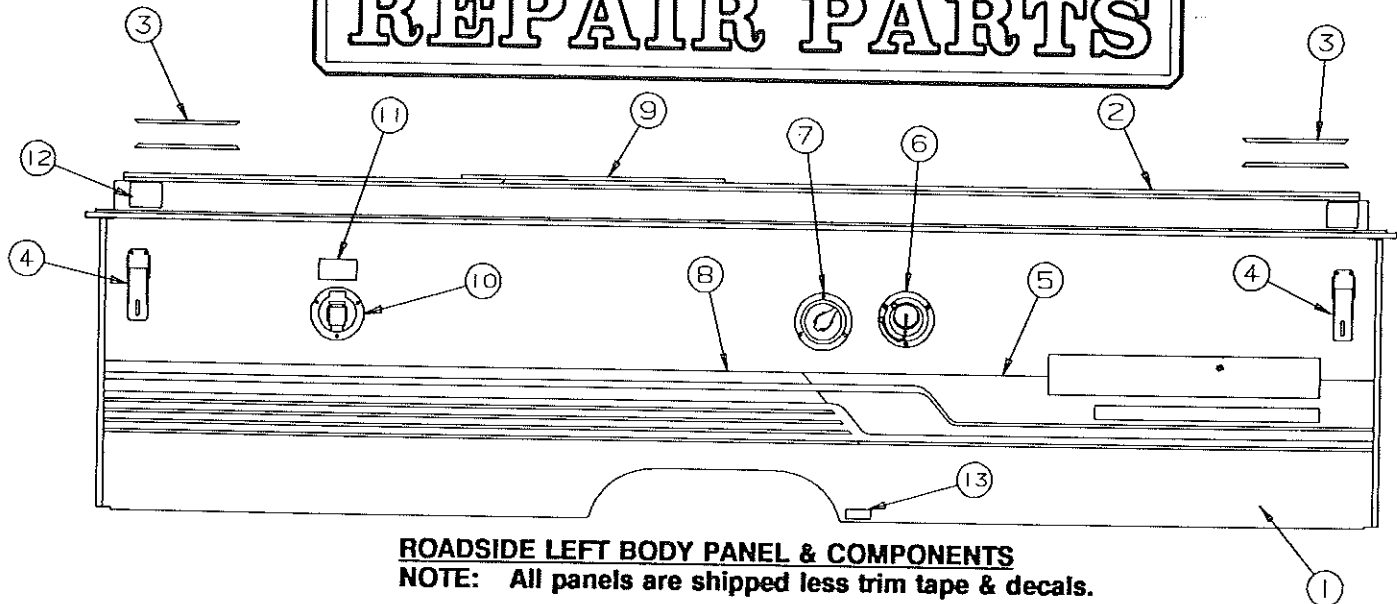


PIONEER SERIES - ARCTIC WHITE
4739M6541 - ACCESS DOOR ASSEMBLY COMPLETE

CODE	PART NO.	DESCRIPTION
1	4741F03281	Access door skin
2	4350001401F	Trim stripe, 3 ft.
3	4730B3111	Lock handle (less key)
	4716-056	Screw x2
	1201B6958	Keps nuts x2
4	4731E2338	Access door cap
	1203-8641	Rivet x8, M50
5	4730A3211	Access door key, M10
6	4744-6981	Swing arm assembly
	1203C8721	Rivet, M25
	1202B0468	Washer
7	4733D0601	Rivet x22, M25
8	1006B2428	Bolt x2
	1202B0468	Washer x2
	1201B5188	Nut x2
9	4734-2431	Snap clip, M4
	4733-4118	Tek screw
10	4747D4141	Crank handle
11	4749-1861	Stabilizer handle
12	4741-1438	Reinforcement plate
13	4741-6551	Lock bar assembly
14	4731T22981	Floor covering
15	4060025006F	Foam tape
16	4745-3908	Caulking (arctic white) (not shown)

2800 Series Pioneer Body Panel Repair Kit
 4716F2101 Right Rear/Right Front/Access Door
 Body Panel Trim Tape Repair Kit

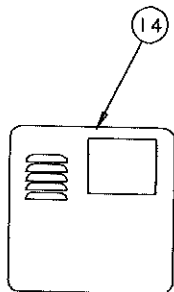
REPAIR PARTS



ROADSIDE LEFT BODY PANEL & COMPONENTS

NOTE: All panels are shipped less trim tape & decals.

2800 Pioneer Series Body Panel Repair Kit
4716F2111 Roadside Body Panel Hardware & Trim Tape Kit

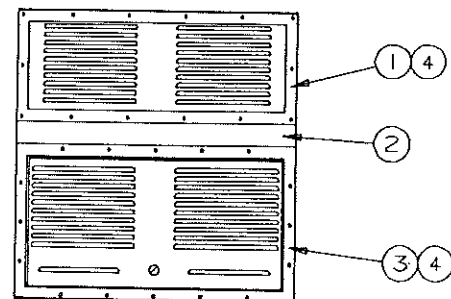


CODE	PART NO.	DESCRIPTION
1	4737J8631	Body panel 2877 Columbia
	4744H0541	Body panel 2893 Chesapeake
	4748C4341	Body panel 2894 Arcadia
	4751A1651	Body panel 2841 Avalon
2	4739F268	Body rail 2877
	4748B435	Body rail 2893, 2894, 2841
3	4737-0738	Bed slide 6 3/16" 2877
	4730B1211	Bed slide 16 3/16" 2893, 2894, 2841
4	4741C6041	Top latch (without lock)
	4749-4848	Foam pad x1
	4741-8218	Hex head tek screw x4
5	4748B8938	Roadside die cut (all) NOTE: Die cut includes Pioneer & Fleetwood logo
6	4731D1711	Fill spout (2894 Arcadia only)
	4741-3508	Hex head screw x3
7	4732F15281	City fill
	4741-3508	Hex head screw x3
	4741-9568	Female adapter (all except 2841)
	4741-2378	Elbow adapter (2841 only)
	1202-5828	Rubber washer
8	4350001401F	Trim tape 7' required (all)
9	4737B2211	Drape track 36" (must cut to size)
	1203-8631	Rivet, M25 (rivet track to body rail)
10	4733B23361	Cable hatch
	4741-3508	Hex head screw x3
11	4745A9948	30 AMP decal
12	4723B8071	Velcro hook 2" x 2" patch
13	4744B2668	Drain decal
14	4716-1331	Water heater door, 2893 CP only

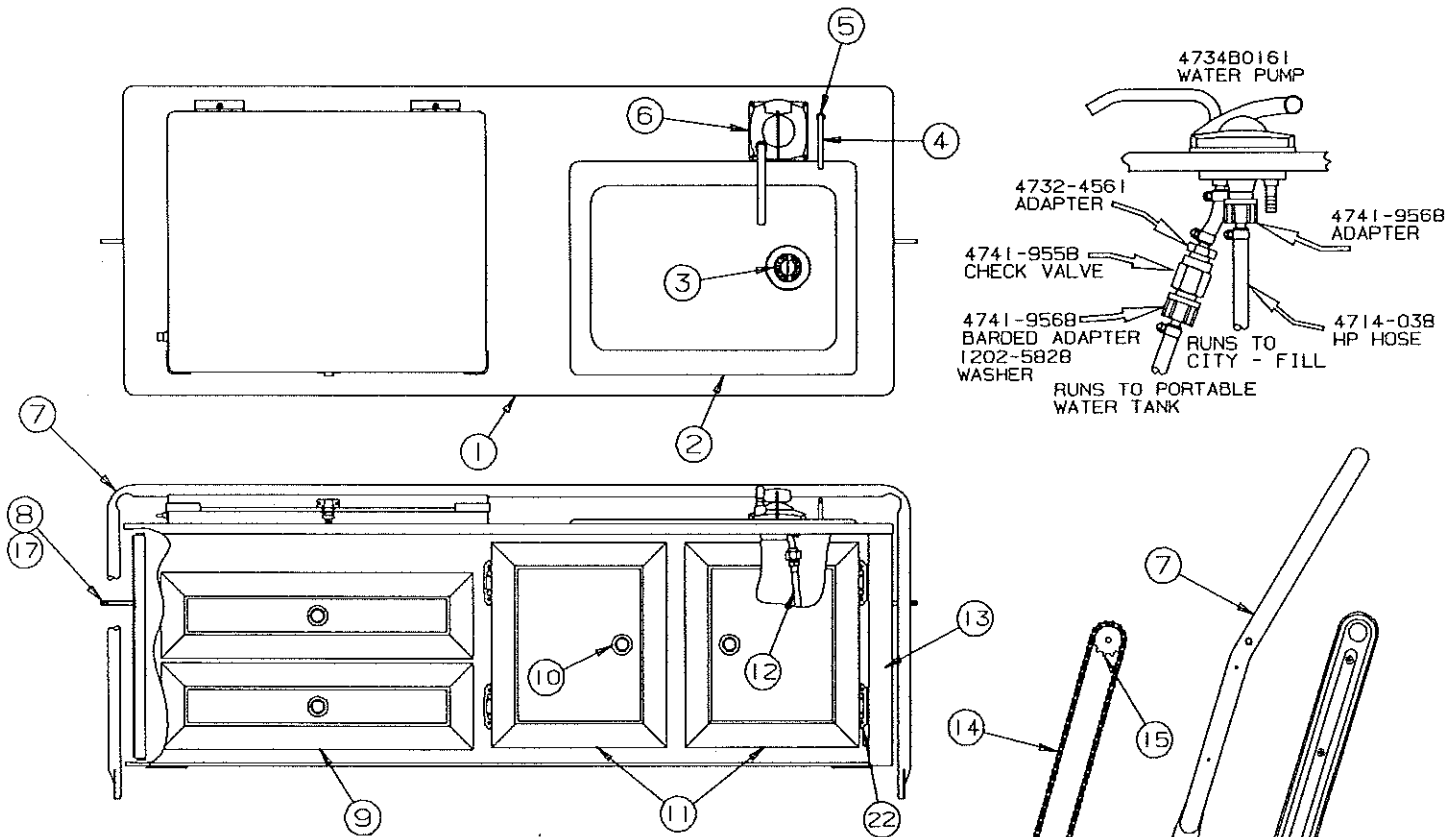
PIONEER - LOUVERED REEFER PANEL DOOR & BACKING PLATE

NOTE: For Pioneer factory installed refrigerator only

CODE	PART NO.	DESCRIPTION
1	4747A8321	Louvered panel
2	4749A2801	Back plate
3	4747A8331	Louvered door panel
4	4745-3968	Screw "arctic white"



1994 PIONEER SERIES



UPPER GALLEY ASSEMBLIES COMPONENT PARTS

CODE	PART NO.	DESCRIPTION
1	4748C9431	Upper galley top, 2877
	4750A2701	Upper galley top, 2893
	4750A27071	Upper galley top, 2893 CP
	4748C4261	Upper galley top, 2894
	4751-9001	Upper galley top, 2841
	4060500079F	T-Molding "teal" sold/ft
NOTE: Upper galley tops include T-Molding		
2	4710F0301	Sink (all except 2894, 93 CP)
	4745A2801	Sink (2894 Arcadia, 2893 Chesapeake CP only)
3	4714B0661	Crumb cup
4	4746-9071	Pump hold down bar & bracket
	4737-8478	Screw x3
5	4742-8701	Flange bushing (plastic) M4
6	4734B0161	Water pump (all except 2894, 93 CP)
	4716-081	Screw x4
	4745D2741	Mixer faucet, 2894, 2893 CP only
7	4751-9061	Galley lift bar, 2841
	4744D08781	Galley lift bar, 2893, 2893 CP
	4750-2691	Galley lift bar, 2877, 2894
8	4748A5151	Upper galley angle x2
	4734E1861	Rivet "elm" M25
9	4751-6041	Drawer assembly 2841 only
	4750-5651	Drawer assembly (all except 2841)
10	4748-3951	Door pull
11	4750-5641	Door panel (all)
12	4730A3431	Gas hose (flexible) (all)
13	4748A8561	Galley corner, M2 (plastic)
14	4744-6321	Galley chain
15	4737B9238	12 tooth sprocket - upper
16	4737A9238	12 tooth sprocket - lower

17	1201B6038	Locknut x2
18	1202B2528	Washer x3
19	4744-44561	Eye bolt, M4 (less bushing)
	4744-9211	Bushing, M2
20	4744C08181	Galley chain cover (left)
21	4744C14781	Galley chain cover (right)
	4733C41368	Screw (elm) x2 per cover
22	4745C26188	Hinge (self closing)

UPPER GALLEY ASSEMBLIES (COMPLETE)

2877	Columbia	4748C6161
2893	Chesapeake	4748B5891
2894	Arcadia	4748C5251
2841	Avalon	4751-6051
2893 CP	Chesapeake CP	4748B58971

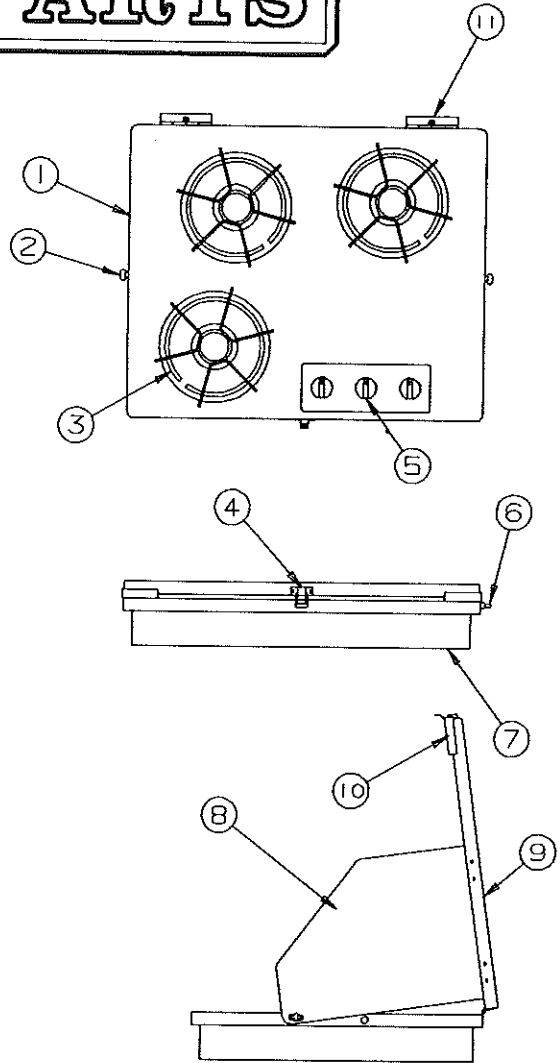
NOTE:

All complete upper galley assemblies are special orders, orders will take slightly longer to be shipped.

REPAIR PARTS

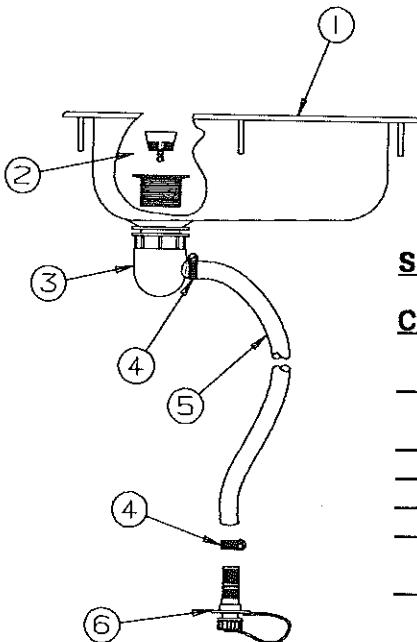
GALLEY STOVES & COMPONENTS

CODE	PART NO.	DESCRIPTION
1	4744D2381	2 Burner stove top, 2877 only
	4744D2401	3 Burner stove top, (all except 2877)
2	4716A0881	Thumb screw, M6
3	4716-1851	Grate (all)
4	4733-4018	Latch
	1203-8558	Rivet x2 per latch
	4733-4028	Strike
5	4716-1861	Knob (all)
6	1226D1538	Stove fin latch
	1203-8678	Rivet x2
7	4739E2871	2 Burner stove box, 2877 only
	4739G2931	3 Burner stove box, (all except 2877)
NOTE: Stove box includes stove top		
8	4741F4131	Stove fin (all)
	4741A4401	Brite chrome hinge x2
9	4741C6261	Stove cover, 2877
	4741F60381	Stove cover, 2893, 2841, 2893 CP
	4741E6031	Stove cover, 2894
10	4732A2291	Edge molding x2, M2
11	4739A2821	Stove cover hinge x2



TO ORDER SERVICE PARTS FOR WEDGEWOOD STOVE COMPONENTS - PLEASE WRITE OR PHONE:

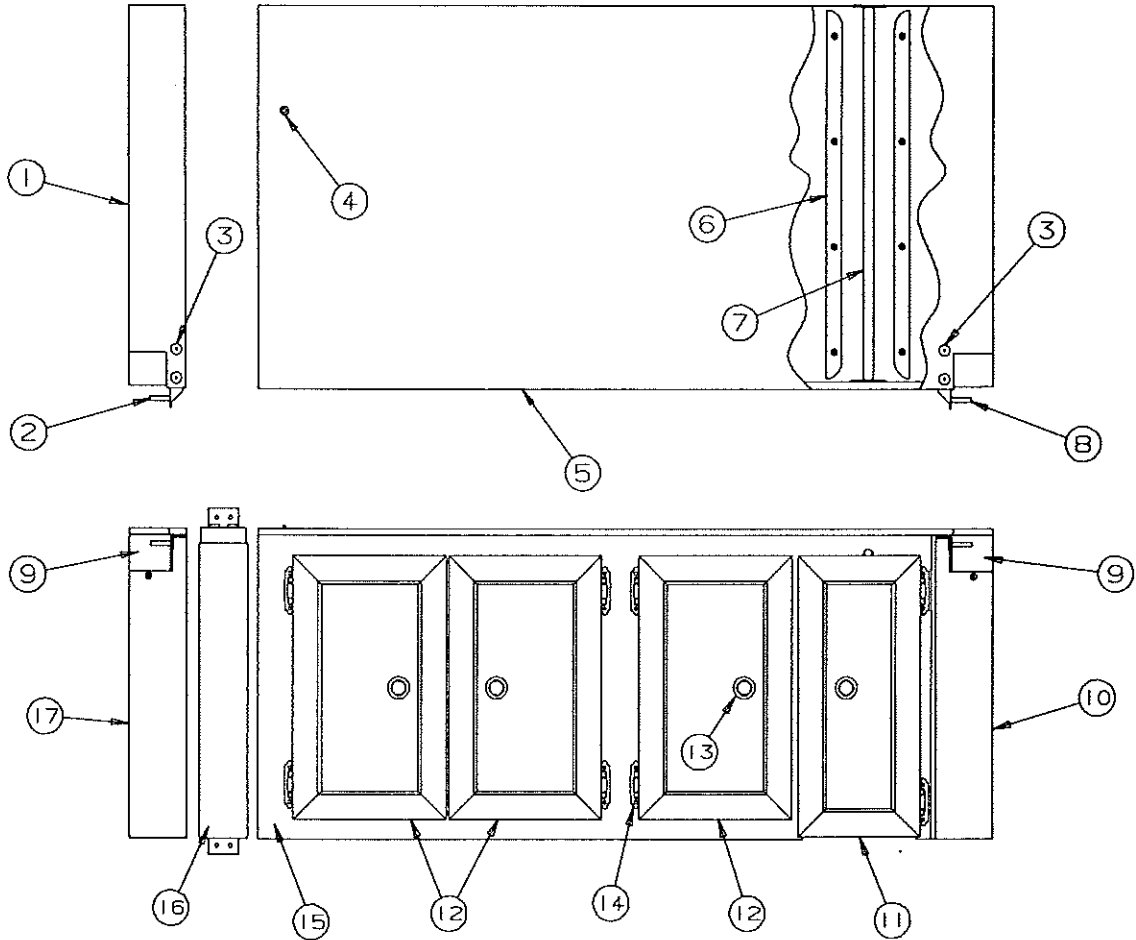
ATTWOOD GREENBRIER OPERATIONS
P. O. BOX 4
6320 KELLY WILLIS ROAD
GREENBRIER, TN 37073
PHONE: 615/643-4556



SINK & COMPONENT PARTS

CODE	PART NO.	DESCRIPTION
1	4710F0301	Sink, stainless steel (all except 2894, 2893 CP)
	4745A2801	Sink, (2894, 2893 CP only)
2	4714B0661	Crumb cup "only"
	4730D3151	Crumb cup & basket
3	4734A0671	Drain trap, M2
4	4744-2678	Hose clamp
5	4742A8781	Drain hose (sold/5 ft lengths)
6	4734C0681	Drain spout, M2
	4714-0021	Cap & strap, M2

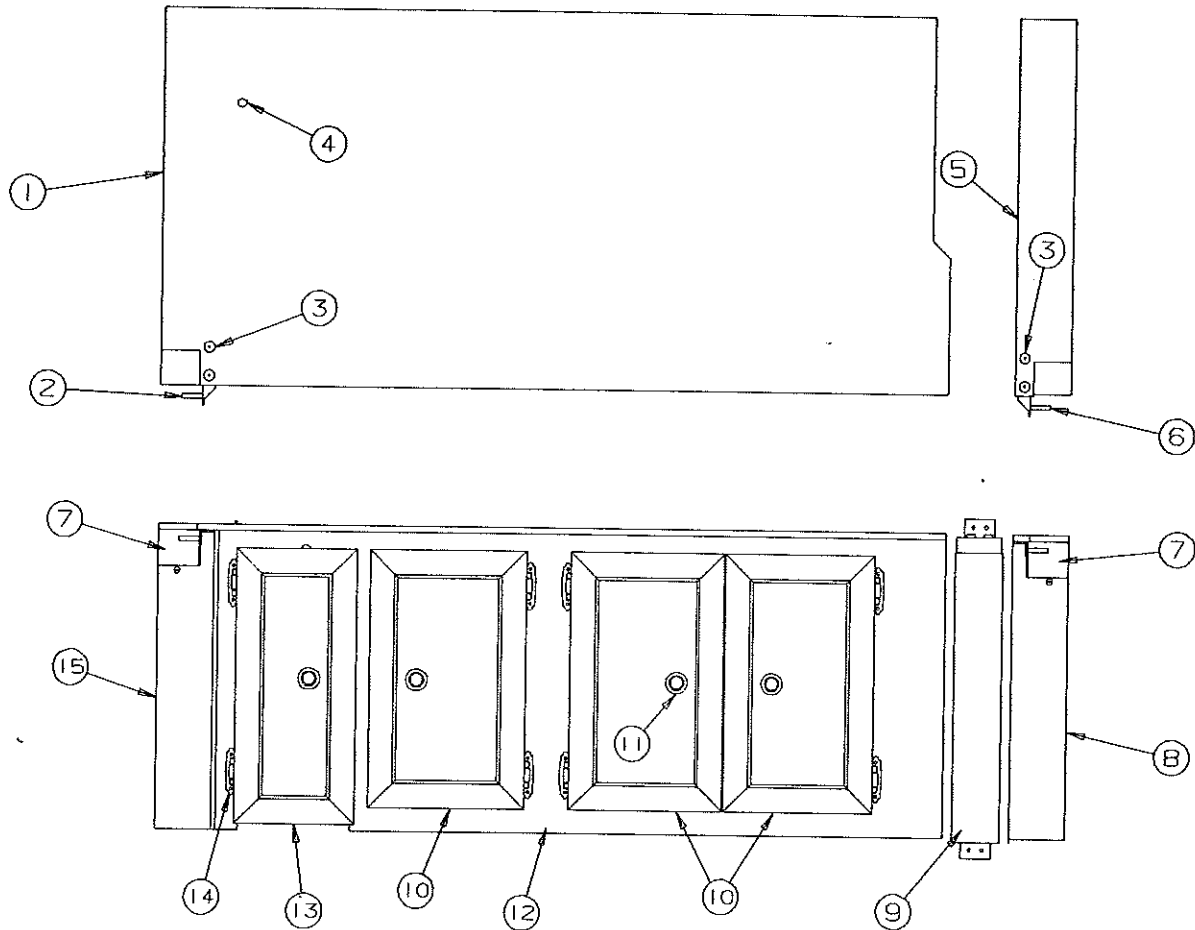
1994 PIONEER SERIES



LOWER GALLEY COMPONENT PARTS - 2877 COLUMBIA

CODE	PART NO.	DESCRIPTION
1	4750-2781	Lower galley top (small)
2	4744D53381	Lower galley bracket (left)
3	4744B4608	Rivet (elm) x2
4	4746A0971	Kill switch
	4735-2948	Kill switch plate
	4716-075	Screw x2
5	4739K1951	Lower galley top (large)
6	4746A9421	Floor glide (wood) M2
	4716-069	Countersunk screw x4
7	4746-9341	Stove guide (metal)
8	4744D53281	Lower galley bracket (right)
9	4744D08581	Lower galley filler
10	4744E11381	Lower galley spacer (right)
11	4746A5501	Door panel x1
12	4749A6211	Door panel x3
13	4748-3951	Door pull (includes screw)
14	4745C26188	Hinge (spring loaded)
	4749B4118	1/2" screw (2 per hinge)
	4749B4598	3/8" screw (3 per hinge)
15	4744F984	Lower galley front
16	4744F55681	Filler assembly
17	4744E11281	Lower galley spacer (left)

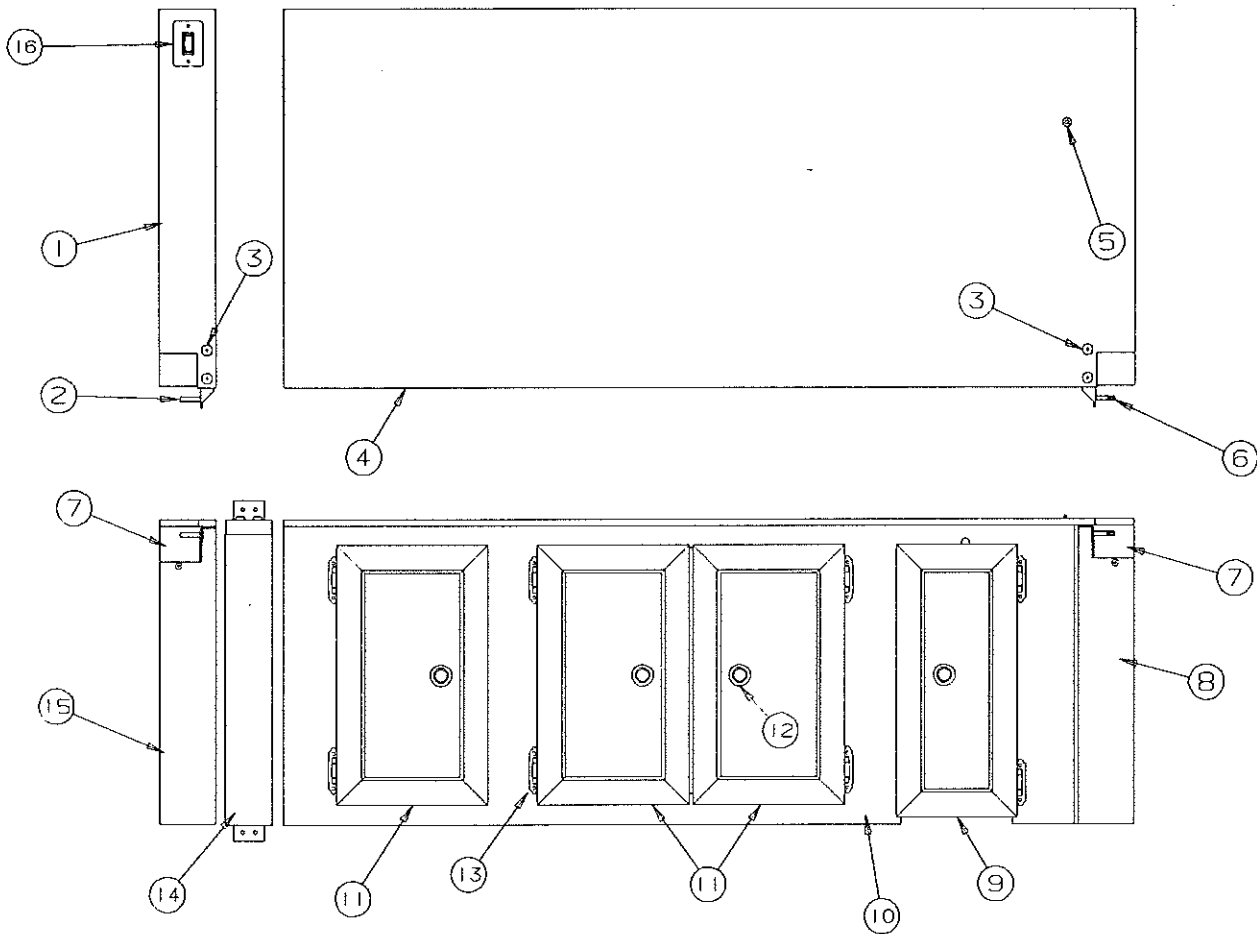
REPAIR PARTS



LOWER GALLEY COMPONENT PARTS - 2893 CHESAPEAKE

CODE	PART NO.	DESCRIPTION
1	4739K0121	Lower galley top (large)
2	4744D53381	Lower galley bracket (left)
3	4744B4608	Rivet (elm) x2
4	4746A0971	Kill switch
	4735-2948	Kill switch plate
	4716-075	Screw x2
5	4749A38381	Lower galley top (small)
6	4744D53281	Lower galley bracket (right)
7	4744D08581	Lower galley filler
8	4744E11381	Lower galley spacer (right)
9	4744F55681	Filler assembly
10	4749A6211	Door panel x3
11	4748-3951	Door pull (includes screw)
12	4744D9651	Lower galley front
13	4746A5501	Door panel x1
14	4745C26188	Hinge (spring loaded)
NOTE: Refer to opposite page for hinge & screws		
15	4744E11281	Lower galley spacer (left)

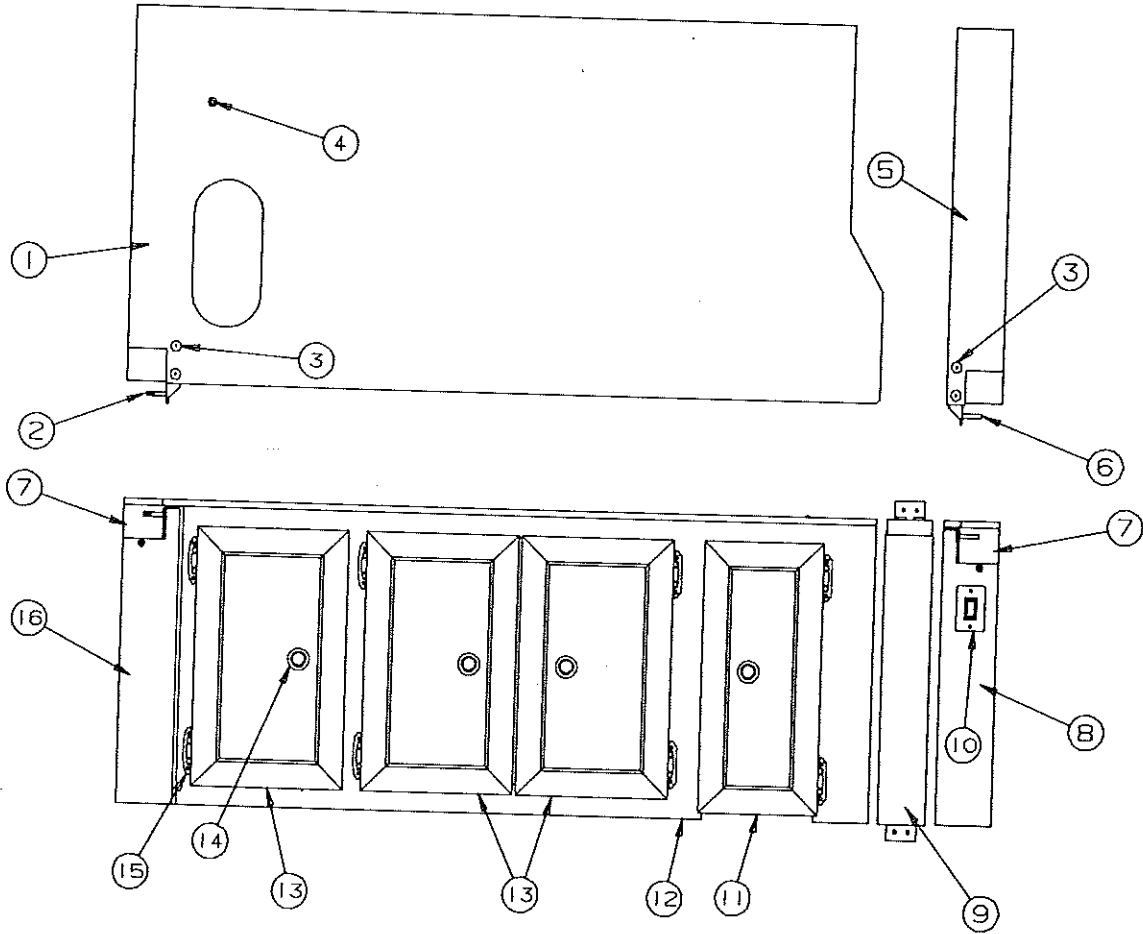
1994 PIONEER SERIES



LOWER GALLEY COMPONENT PARTS - 2894 ARCADIA

CODE	PART NO.	DESCRIPTION
1	4750-2781	Lower galley top (small)
NOTE: Must drill hole for rocker switch		
2	4744D53381	Lower galley bracket (left)
3	4744B4608	Rivet (elm) x2
4	4748B4451	Lower galley top (large)
5	4746A0971	Kill switch
	4735-2948	Kill switch plate
	4716-075	Screw x2
6	4744D53281	Lower galley bracket (right)
7	4744D08581	Lower galley filler
8	4744E11381	Lower galley spacer (right)
9	4746A5501	Door panel x1
10	4748C4441	Lower galley front
11	4749A6211	Door panel x3
12	4748-3951	Door pull (includes screw)
13	4745C26188	Hinge (spring loaded)
	4749B4118	1/2" screw (2 per hinge)
	4749B4598	3/8" screw (3 per hinge)
14	4744F55681	Filler assembly
15	4744E11281	Lower galley spacer (left)
16	4733C4981	Rocker switch
NOTE: Turn electric water pump on & off		

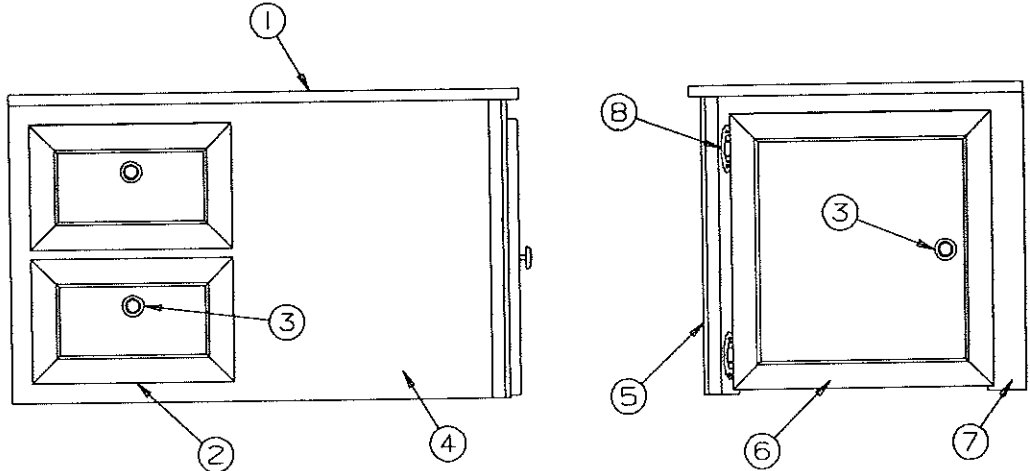
REPAIR PARTS



LOWER GALLEY COMPONENT PARTS - 2841 AVALON

CODE	PART NO.	DESCRIPTION
1	4748E4451	Lower galley top (large)
2	4749A38381	Lower galley bracket (left)
3	4744B4608	Rivet (eim) x2
4	4746A0971	Kill switch
	4735-2948	Kill switch plate
	4716-075	Screw x2
5	4749A38381	Lower galley top (small)
6	4744D53281	Lower galley bracket (right)
7	4744D08581	Lower galley filler
8	4751-9671	Lower galley spacer (right)
9	4744F55681	Filler assembly
10	4751-1161	Rocker switch "lighted"
	4738-3088	Screw x2
11	4746A5501	Door panel
12	4751B290	Lower galley front
13	4749A6211	Door panel x3
14	4748-3951	Door pull (includes screw)
15	4745C26188	Hinge (spring loaded)
16	4744E11281	Lower galley spacer (left)

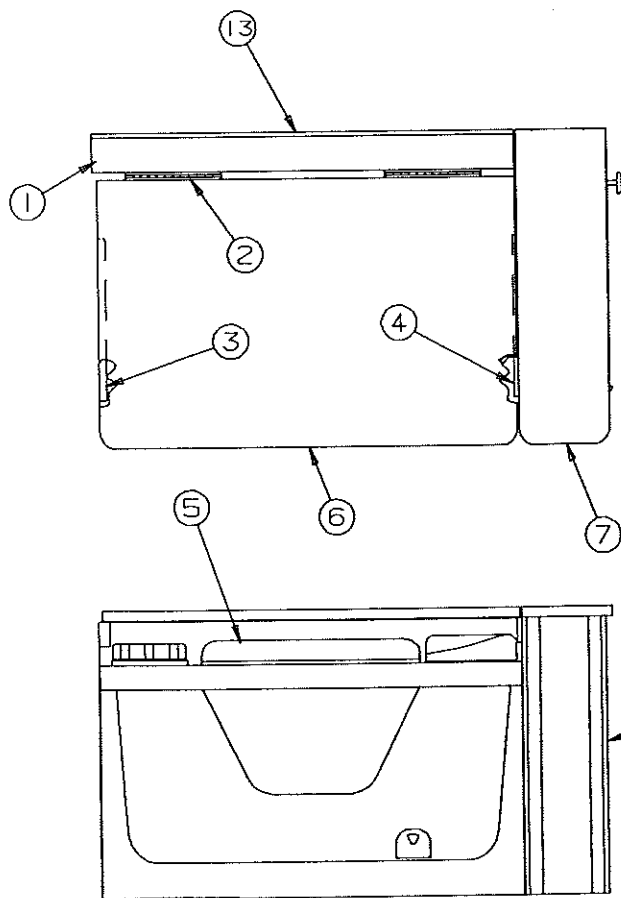
1994 PIONEER SERIES



2893 CHESAPEAKE STORAGE CABINET (4748B590)

CODE	PART NO.	DESCRIPTION
1	4748A8541	Cabinet top
2	4749B6111	Drawer assembly x2
3	4748-3951	Door pull (includes screws)
4	4748-852	Cabinet side
5	4748-8661	Cabinet corner, M2
6	4748-5971	Door panel (all)
7	4748A853	Cabinet front
8	4745C26188	Hinge (self closing)

2893 CHESAPEAKE W/CASSETTE POTTI

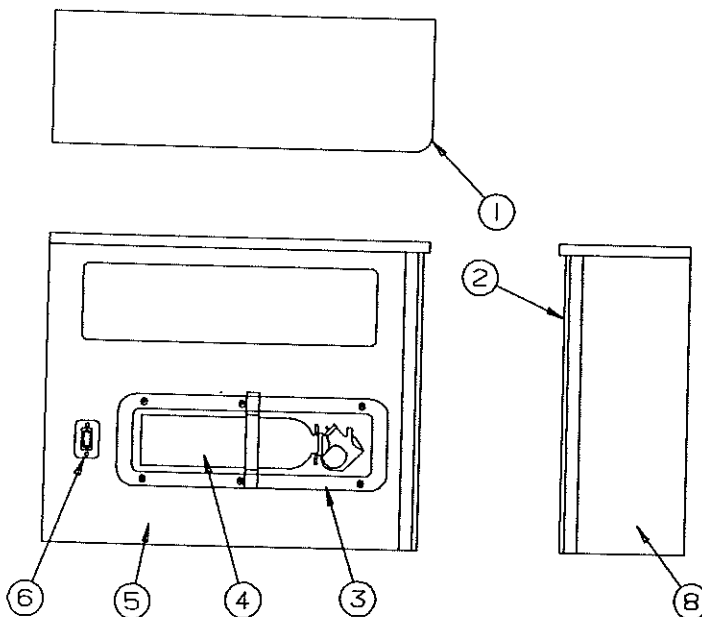
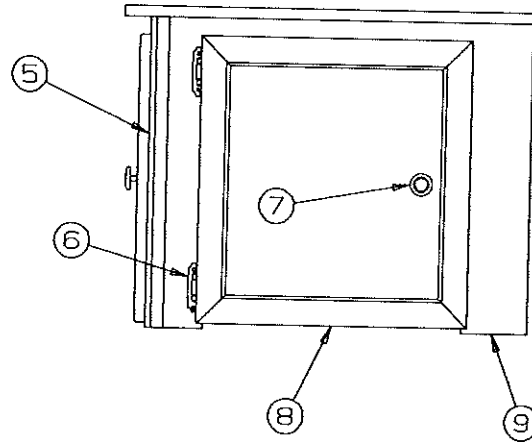
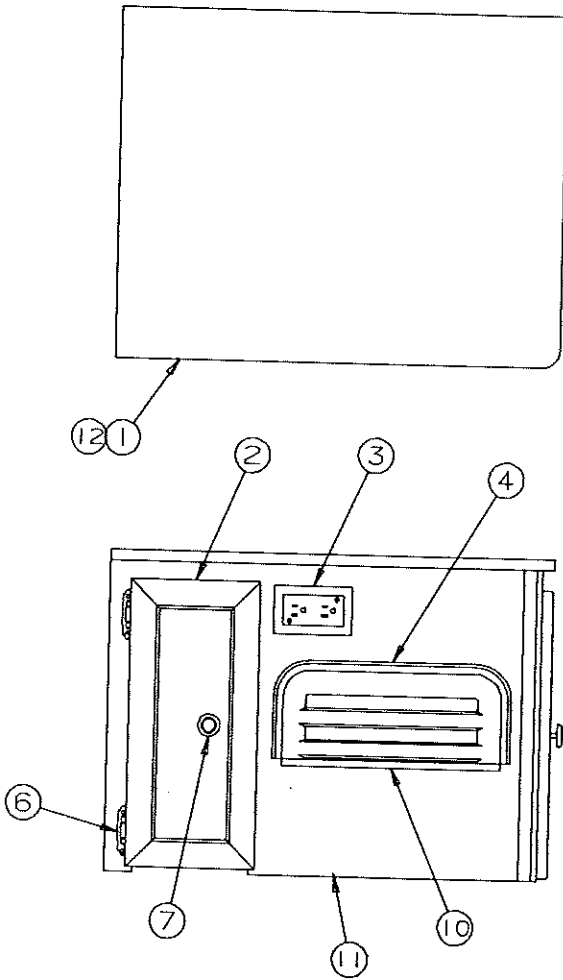


CODE	PART NO.	DESCRIPTION
1	4750-3898	Potti filler
2	4750-3921	Hinge
	4737-8488	Screw
3	4750-3918	Lid support (left)
	1103B1028	1 1/4" Screw x2
	4716-061	2" Screw x1
4	4750-390	Lid support (right)
	4716-068	Countersunk screw x3
5	4746C2461	Cassette potti
6	4750-38881	Potti cabinet lid (large)
7	4750-38781	Potti cabinet top (small)
8	4748-8661	Cabinet corner, M2
9	4745C26188	Hinge (spring loaded)
10	4748-3951	Door pull
11	4752-5111	Door assembly
12	4751-996	Potti cabinet side
13	4060400371	Corner divider

REPAIR PARTS

2841 AVALON CORNER CABINET (4751A586)

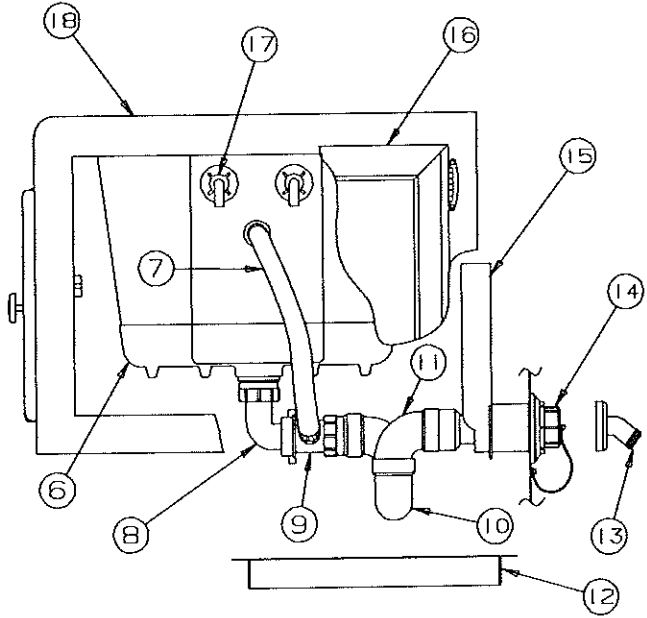
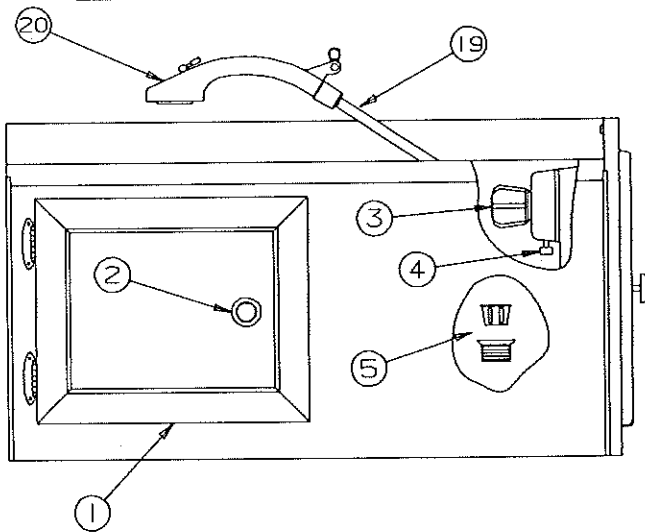
CODE	PART NO.	DESCRIPTION
1	4751A2191	Cabinet top (includes T-molding)
2	4746A5501	Door panel
3	4710B3551	15 AMP Receptacle (brown)
	4746A3851	Receptacle box
4	4751-2351	Magazine bin
5	4748-8661	Corner molding (must cut to size)
6	4745C26188	Hinge (spring loaded)
7	4748-3951	Door pull (includes screw)
8	4748-5971	Door panel
9	4751-220	Cabinet front
10	4716-4031	U-Channel 48" pc (must cut to size)
11	4751-217	Cabinet side
12	4060500079F	T-molding 3/4" (teal)



2841 AVALON CABINET ASSEMBLY (4751-613)

CODE	PART NO.	DESCRIPTION
1	4751A9461	Cabinet top
2	4748-8661	Cabinet corner, M2
3	4737B4198	Recessed mount
	4739-0528	Screw
4	4737A5558	Fire extinguisher
5	4751-943	Cabinet side
6	4733C4981	Rocker switch
	4716-059	Screw x2
7	4751-944	Cabinet front

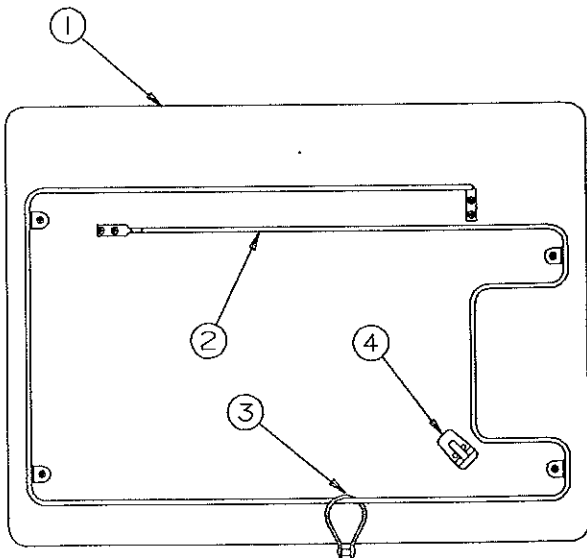
1994 PIONEER SERIES



2894 ARCADIA SHOWER CABINET (4748B5471)

CODE	PART NO.	DESCRIPTION
1	4744F57281	Door panel (less hardware)
	4741A4241	Toilet tissue holder
2	4748-3951	Door pull
3	4741B2071	Shower diverter
4	4716-0848	Shower hose connector
5	4746A1821	Basket & strainer
6	4741A2221	Bath tub
7	4060087538	Flexible tubing
8	4750-3081	Direct connect 3" long
9	4750-3091	Tail piece w/slipnut
10	4750-3051	"P" trap
11	4750-3101	90° Elbow 1 1/2"
12	4750-3061	Access plate
	4744A050	Tek screw
	4350000022F	Foam tape

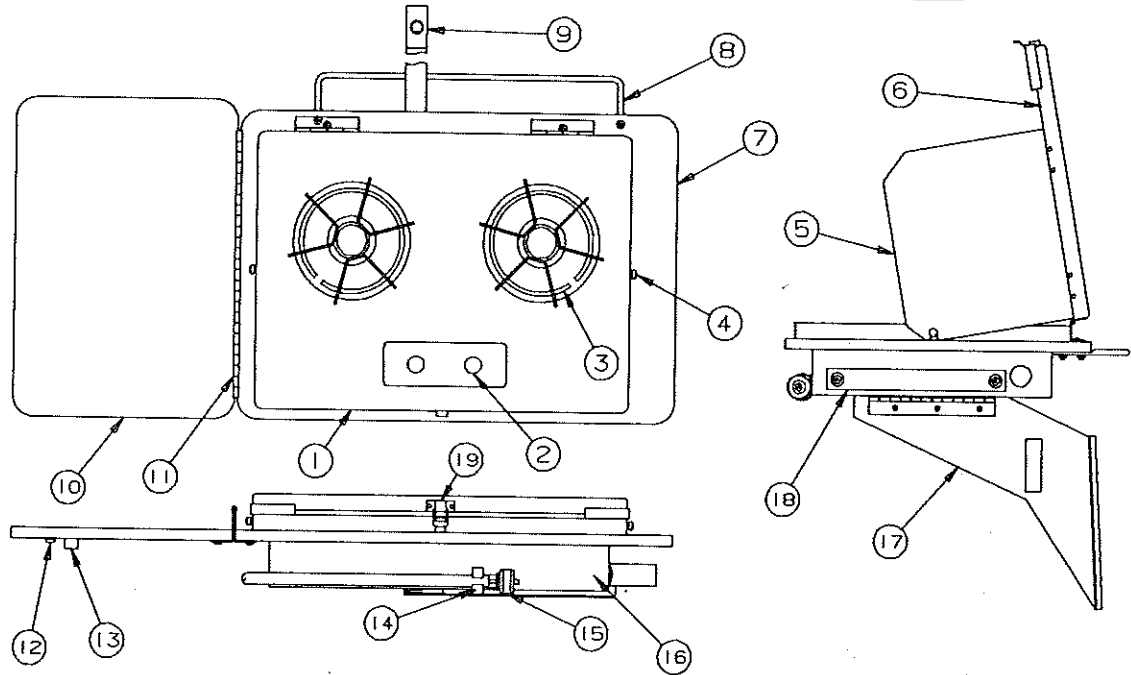
13	4737-9138	Drain adapter
14	4714A2861	Cap & strap package
	4749-4131	Tub drain gasket
15	4741B9301	Vent system
16	4748A5461	Door panel (less hardware)
17	4741-2351	Swivel street elbow
18	4741E17981	Tub front
	4716A178	T-Molding 3/4" (elm)
	4350000295F	Double stick tape
19	4741B2051	Shower hose
20	4746A3761	Shower head w/bracket
	4741C6361	Tub package 2894 (package includes - Code 13, 19, & 20)



SHOWER CURTAIN ROD ASSY (4748B5411)

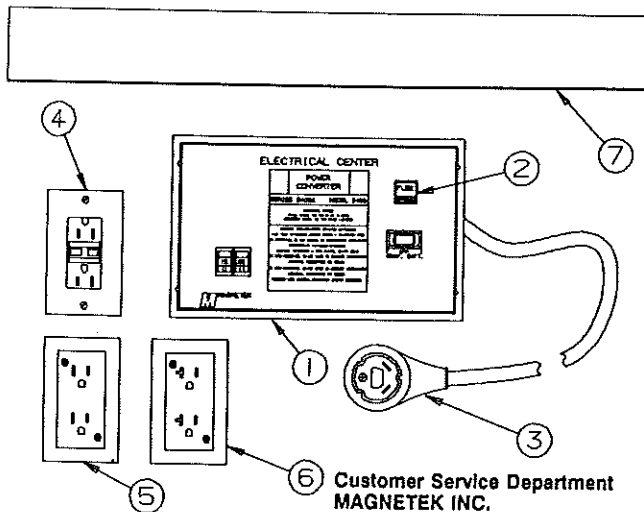
CODE	PART NO.	DESCRIPTION
1	4748B4611	Back board (teal)
	4060500079F	T-Molding 3/4" (teal)
2	4748B4591	Shower curtain rod assy.
	4737-8478	Screw x8
3	4748-8161	Shower curtain clips, M10
	4749-6661	Shower curtain (not shown)
4	4750-1761	Shower head bracket
5	4749A7981	Dressing room curtain 2894 only
	4739-0678	1 Beam stop x2
	4739-1191	Carrier & hook x17, M6
	4749C6231	Curtain tie x1

REPAIR PARTS



PIONEER OUTSIDE STOVE (4746B5471) COMPLETE

CODE	PART NO.	DESCRIPTION
1	4746-9491	2 Burner stove top
2		(Knob not available)
3	4716-1851	Grate x2
4	4716A0881	Thumb screw x2, M6
5	4749B99381	Stove fin x2
	4741A4401	Hinge x2
6	4749B66081	Stove cover
	4742-9538	H.P. decal
7	4746A9391	Outside stove top
8	4746-9881	Towel bar
	4716-056	Screw x3
	1201B6958	Nut x3
9	4746-5481	Safety strap assembly
10	4746A9401	Outside stove shelf
11	4746-9381	Hinge x1
12	4730A3548	Stud with screw
13	4710-2681	Stop button, M5
	4716-077	Screw x1
14	4734-2431	Gripper clip x1, M4
15	4746-9891	Gas hose
16	4746-9481	2 Burner stove box
17	4746-9221	Outside stove flap (includes hinge, velcro & adhesive foam pad)
18	4742-8971	Stove strap handle
	1203-8641	Rivet x2, M25
	1202B2698	Washer
19	4733-4018	Latch x1
	4733-4028	Strike
	4737-8478	Screw



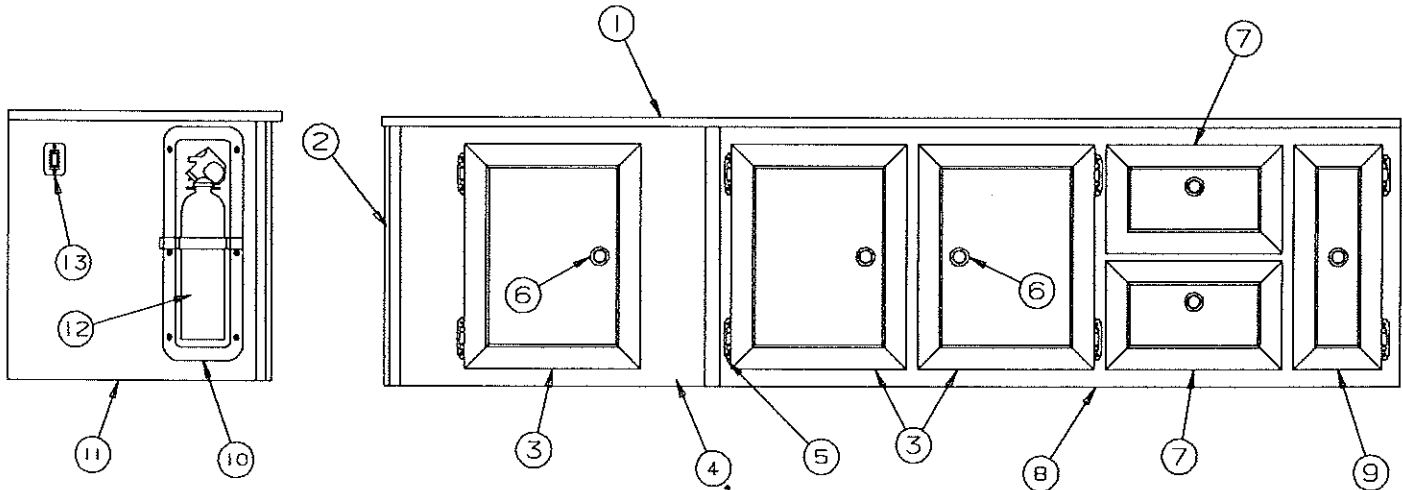
CONVERTER AND RELATED PARTS:

CODE	PART NO.	DESCRIPTION
1	4742-9811	Converter 9 AMP, 2877
	4744A4751	Converter 9 AMP, 2893, 2841
	4745A1571	Converter 15 AMP, 2894, 2893 CP
2	4714-3411	Fuse cap, M4
3	4744-3101	Power cord, 30 ft. (all)
4	4746B3841	GFI receptacle with cover (white)
	4746A3841	GFI receptacle with cover (brown)
	4746A3851	Receptacle box
5	4710B3551	Receptacle with cover (brown) 15 AMP
6	4744-3081	Receptacle with cover (brown) 20 AMP
	4746-8981	Receptacle with cover (white) 20 AMP
	4746A3851	Receptacle box
7	4744G02381	Converter cabinet top (all except 2841)
	4751-9261	Converter cabinet top (2841 only)

Customer Service Department
MAGNETEK INC.
721 North Webster Street
Kokomo, IN 46901

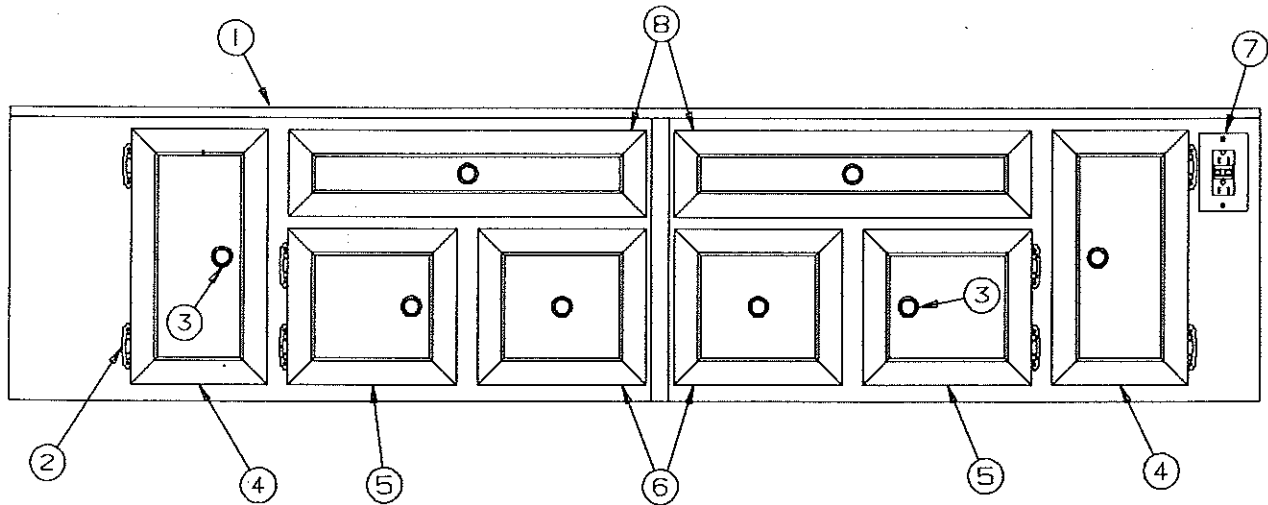
Phone: 317/452-5444

1994 PIONEER SERIES



2893 CHESAPEAKE HUTCH ASSEMBLY (4744G580)

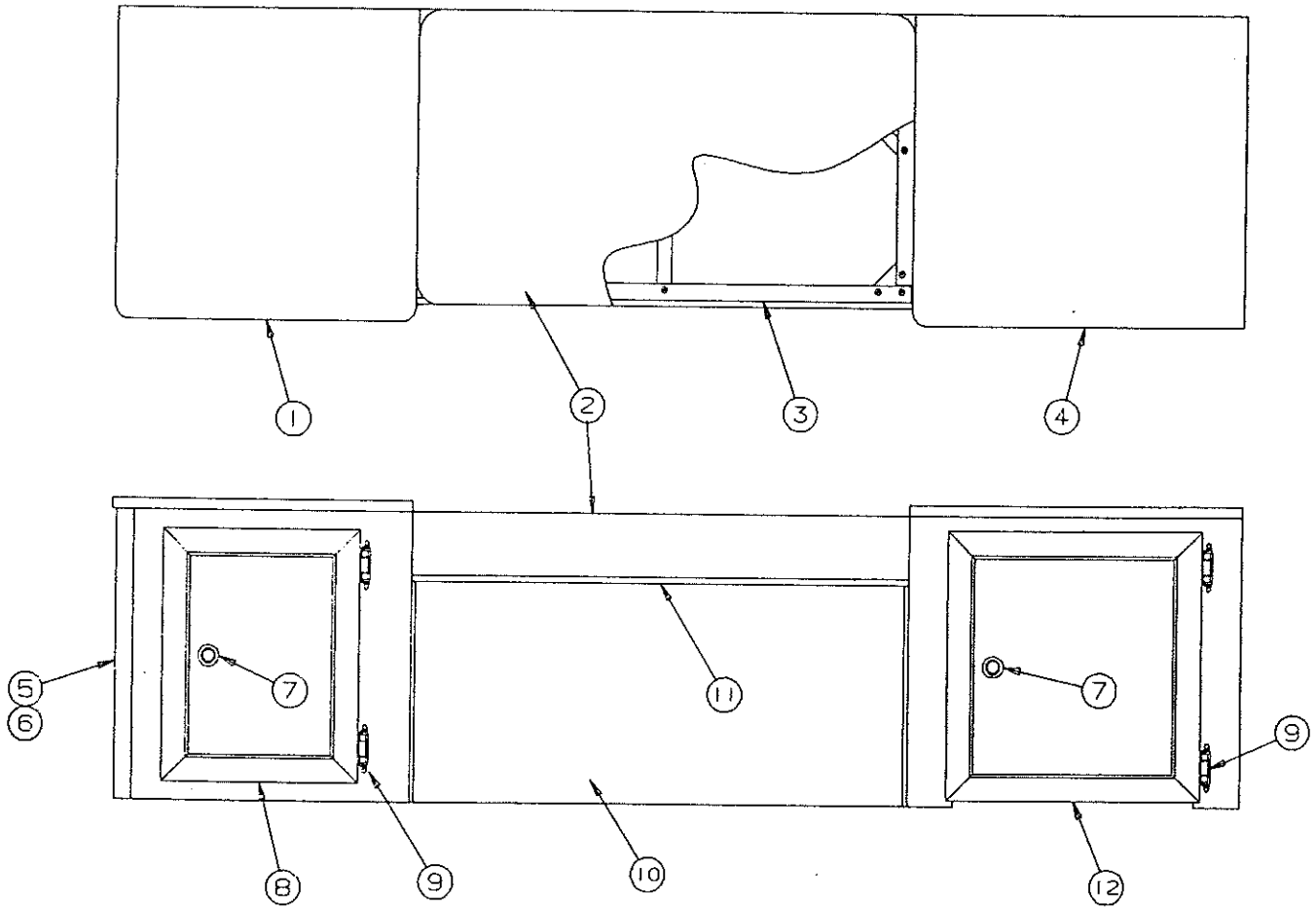
CODE	PART NO.	DESCRIPTION			
1	4744G18381	Hutch top	7	4749B6111	Drawer assembly
2	4748-8661	Hutch corner M2 (plastic)	8	4744E1868	Hutch front
3	4739J5321	Door panel x3	9	4748-5911	Door panel
4	4748-844	Hutch front	10	4737B4198	Recessed mount
5	4745C26188	Hinge, (self closing)	11	4744D19081	Hutch side
6	4748-3951	Door pull (includes screw)	12	4737A5558	Fire extinguisher
			13	4733A4981	Rocker switch



2841 AVALON HUTCH ASSEMBLY (4751-606)

CODE	PART NO.	DESCRIPTION
1	4751-9121	Hutch top assembly
2	4745C26188	Hinge (self closing)
3	4748-3951	Door pull
4	4749A6211	Door panel
5	4751-6071	Door panel
6	4751-6091	Drawer assembly
7	4746A3841	GFI receptacle
	4746A3851	Receptacle box
8	4751-6101	Drawer assembly

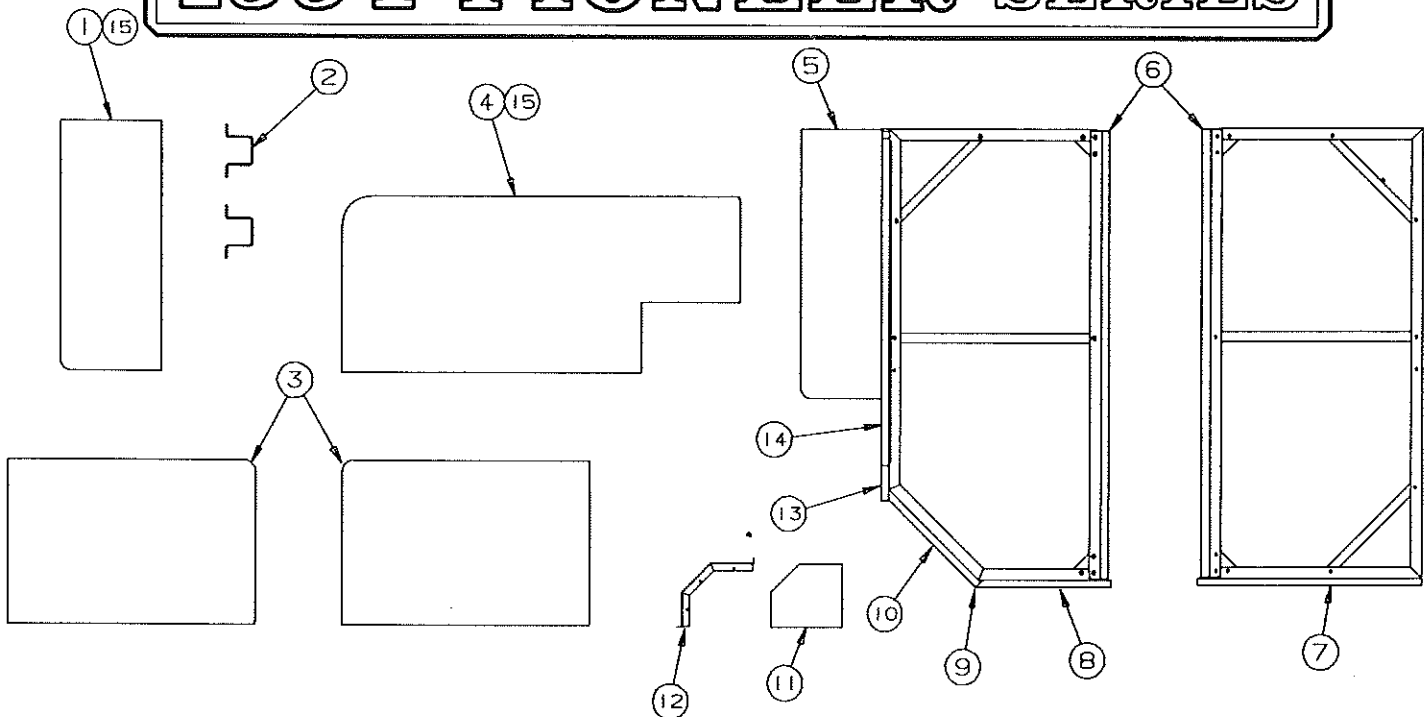
REPAIR PARTS



HUTCH/SEAT ASSEMBLY 2894 ARCADIA (4748C529)

CODE	PART NO.	DESCRIPTION
1	4748C4161	Hutch top (left)
2	4748D5501	Cushion assembly
	4716D5501	Cushion cover
3	4716-2741	Seat frame assembly
4	4748A8011	Hutch top (right)
5	4748-8661	Corner molding, M2 (plastic)
6	4748A4181	Hutch side panel
7	4748-3951	Door pull (includes screw)
8	4739J5321	Door panel
9	4745C26188	Hinge (spring loaded)
10	4748C413	Seat front
11	4716-4031	U-Channel "Elm" 48" pc.
12	4748-5971	Door panel

1994 PIONEER SERIES



PIONEER SERIES SEAT FRAME ASSEMBLIES

Model	Part No.	& Side	Part No.	& Side
2877 Columbia	4741J5731	- Curbside	4749D5421	- Roadside
2893 Chesapeake	4744F54781	- Left	4744H54681	- Right
2894 Arcadia	4748A5381	- Left	4748A5401	- Right
2841 Avalon	4751A5881	- Right	4751-6121	- Left

SEAT BENCH COMPONENT PARTS

Code	Part No.	Description
1	4739H2151	Seat extension top, 2877
2	4746A02481	Cushion bumper (metal)
3	4748A4601	Seat end (right & left) 2894
	4744B97081	Seat end (right & left) 2893
4	4750-2831	Seat gazoodi 2893
	4748B44681	Seat gazoodi 2894
5	NOTE: Refer to Page 22 for component parts	
6	NOTE: Refer to seat frame assembly chart	
7	4751-9381	Seat end 2841, Avalon
8	4751-9411	Seat end 2841, Avalon
9	4350400002	Wood grain tape 1" sold/ft
10	4751-9421	Seat end 2841, Avalon
	4748A8041	Wood 2894 (roadside)
	4746-8131	Wood 2894 (curbside)
	4748A8031	Wheel well cover (roadside) 2894
	4746-8121	Wheel well cover (curbside) 2894
13	4751-9351	Seat gazoodi 2841
14	4751-9401	Backrest support
	4751-9391	Backrest support hinge
15	4716A178	T-molding "elm" sold/ft

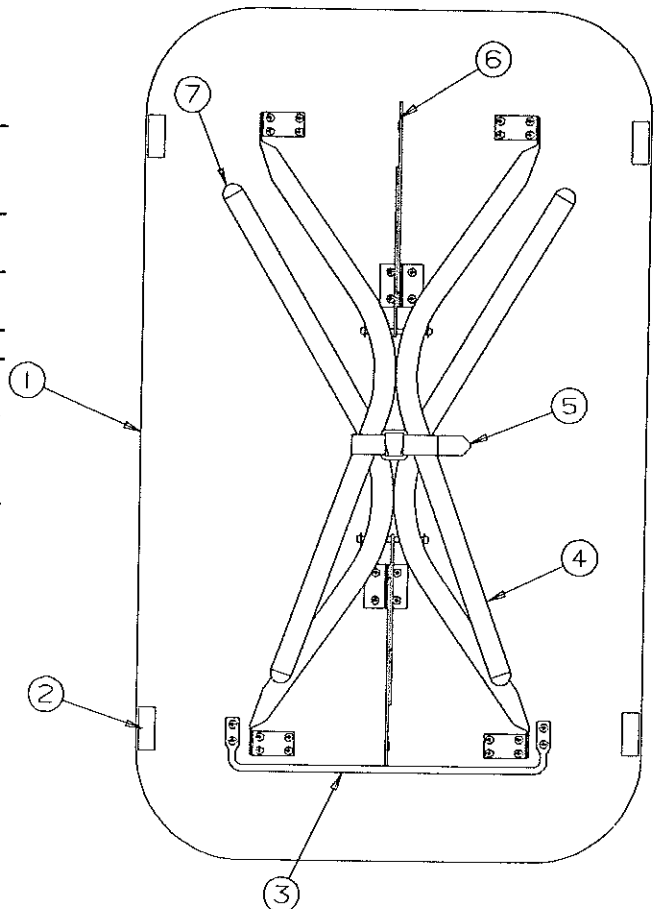
REPAIR PARTS

DINETTE TABLE ASSEMBLY - 2800 SERIES PIONEER

CODE	PART NO.	DESCRIPTION
1	4737H1511	Table top, 2877
	4744C45281	Table top, 2893, 2894, 2841
	4060500079F	T-molding (teal)
2	4724D2631	Velcro hook x4
	4724E2631	Velcro loop x4, M4
3	4734D0841	Towel bar
	4737-8488	Screw x4
4	4745A52781	Table leg, M2
5	4751-9711	Table leg strap package (Includes: strap, screw and washer)
6	4720A1501	Lock brace pkg.
	4737-8488	Screw
7	4720C3928	Table leg cap

TABLE TOP DIMENSIONS

4737H1511	39 3/4 x 30
4744C45281	39 5/8 x 30



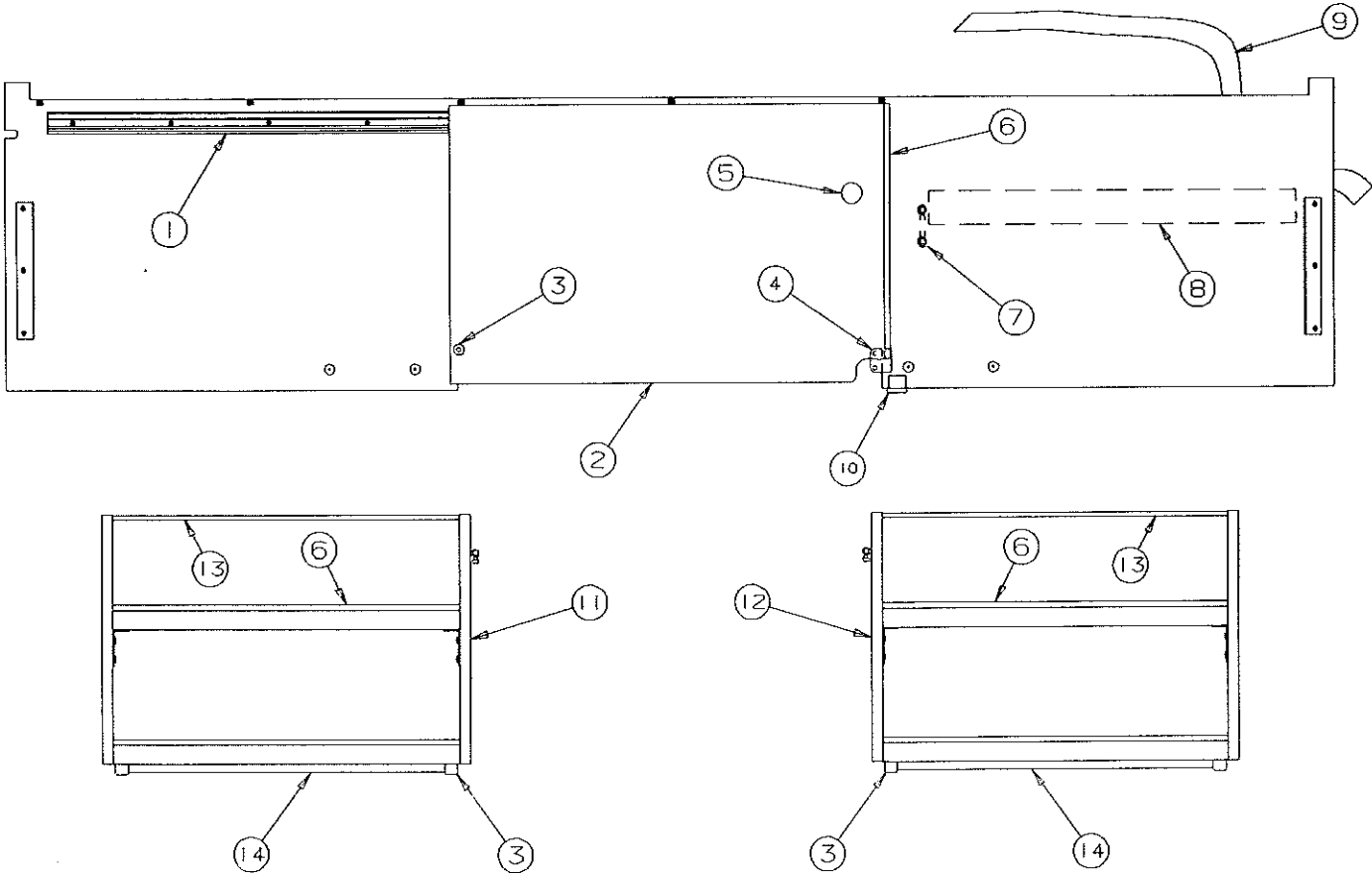
CUSHION AND BACKREST ASSEMBLIES

Model	Cushion Assembly	Cushion Cover	Backrest	
			Assembly	Cover
2877 Columbia	4744J6021	4716J6021	4750B6031	4716B6031
2893 Chesapeake	4744H6261	4716H6261	4744H6051	4716H6051
2894 Arcadia	4748B6291	4716B6291	4748B6201	4716B6201
2894 Arcadia	4748D5501	4716D5501	NOT AVAILABLE	
2841 Avalon	4751-6141	4716-6141	4751-6161	4716-6161
2841 Avalon	NOTE: Cushion & Backrest for CS-Front Seat Bench			
2841 Avalon	4751-6151	4714-6151	4751-6171	4716-6171
2841 Avalon	NOTE: Cushion & Backrest for CS-Rear Seat Bench			

CUSHION & BACKREST REFERENCE DIMENSIONS

MODEL	CUSHION ASSEMBLY	BACKREST ASSEMBLY
2877 Columbia	19 1/8 x 40 x 4	16 11/16 x 40 x 4
2893 Chesapeake	19 1/8 x 38 1/8 x 4	16 11/16 x 38 1/8 x 4
2894 Arcadia	17 7/16 x 38 1/4 x 4	16 11/16 x 38 1/8 x 4
2894 Arcadia	18 1/2 x 40 x 4	(not available)
2841 Avalon	17 5/8 X 40 1/8 X 4 -CSF	16 11/16 x 32 x 4 - CSF
2841 Avalon	16 x 39 1/2 x 4 -CSR	16 11/16 x 38 5/8 x 4 -CSR

1994 PIONEER SERIES



SLIDING PANTRY AND RELATED PARTS - 2841 AVALON

CODE	PART NO.	DESCRIPTION
1	4716-4021	Door slide track 48" pc.
	4716-075	Screw x9
2	4751B2691	Sliding door panel
3	4710-2681	Stop button, M5
	1034B1612	Screw
4	4751-0901	Sliding door catch
5	4748A3951	Door pull
6	4060095605	3/8" U-Channel, colonial white
	4060095603	3/8" U-Channel, brown
7	4733A4511	Steel loop
	4744B4608	Rivet x2 "elm"
8	4350000209	2" Velcro loop
9	4751-5761	Stove strap
10	4751-300	Door stop (black plastic)
	4716-069	Screw
11	4751A5621	Sliding pantry "left"
12	4751A5631	Sliding pantry "right"
13	4751-1151	5/32 U-Channel 26 5/16" pc.
14	4751-2831	Metal slide track

REPAIR PARTS

Pioneer Pop Rivets

NOTE: (Equivalent may be purchased locally from auto parts store.)

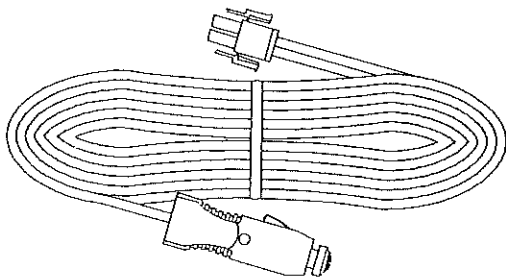
Rivet No.	Pkqd	'A' Dia.	'B' Length	'C' Head	Color	Typical Usage
1203-8558	Single	1/8	1/4	1/4	Alum.	Screen door
4741-9861	M25	5/32	3/8	1/4	Alum.	Screen door assembly
1203-8631	M50	5/32	3/8	1/4	Alum.	Top assemblies
4749-4578	Single	5/32	7/16	5/16	Alum.	Bed extensions
1203-8641	M50	3/16	7/16	3/8	Alum.	Lift assemblies, body rails
4733D0601	M25	3/16	7/16	3/8	Arc White	Access door, bulkheads
1203C8751	M25	3/16	7/16	3/8	Steel	Corner bulkheads
4734C1861	M25	3/16	5/8	3/8	Arc White	Screen door assemblies
4734E1861	M25	3/16	5/8	3/8	Elm	Upper & lower galley
1203-8741	M25	3/16	13/16	3/8	Alum.	Bed assemblies, lashing hooks
1203-8831	M25	3/16	5/8	5/8	Alum.	Bed assembly, bed leg clips
4744B4608	Single	3/16	1"	5/8	Elm	Lower galley tops
1203C8721	M25	3/16	11/16	5/8	Steel	Upper crank, swing arms

COUNTERSUNK HEAD POP RIVETS

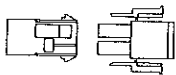
Rivet No.	Pkqd	'A' Dia.	'B' Length	'C' Head	Color	Typical Usage
1203-8678	Single	1/8	3/8	7/32	Alum.	RVIA tag, utility hatch door
1203-8978	Single	3/16	7/16	11/32	Alum.	Access door bulkheads

EXPANSION POP RIVETS

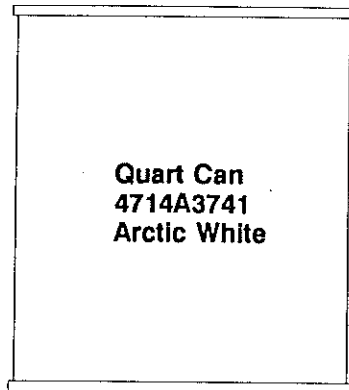
Rivet No.	Pkqd	'A' Dia.	'B' Length	'C' Head	Color	Typical Usage
4744-4611	M25	5/32	3/4	5/16	Alum.	Screen door tracks
4741C96568	Single	3/16	13/16	3/8	Warm grey	Top assembly, side covers
4747-2558	Single	3/16	1"	3/8	Alum.	Taillights, miter covers, lift trim



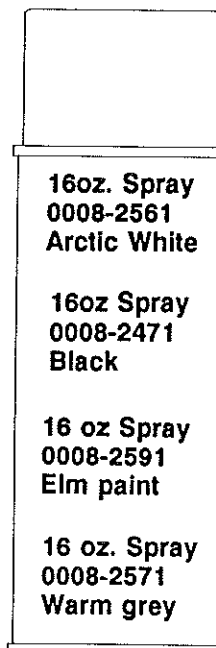
4733C6701
Auto Extension



4716-4701
12 Volt cap & plug pkg



Quart Can
4714A3741
Arctic White

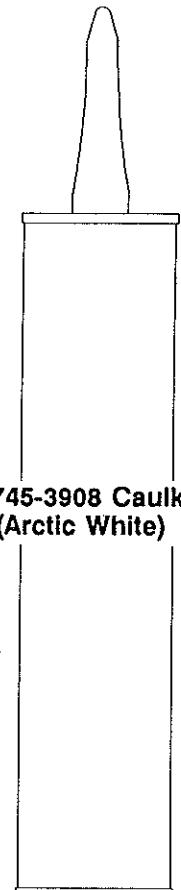


16oz. Spray
0008-2561
Arctic White

16oz Spray
0008-2471
Black

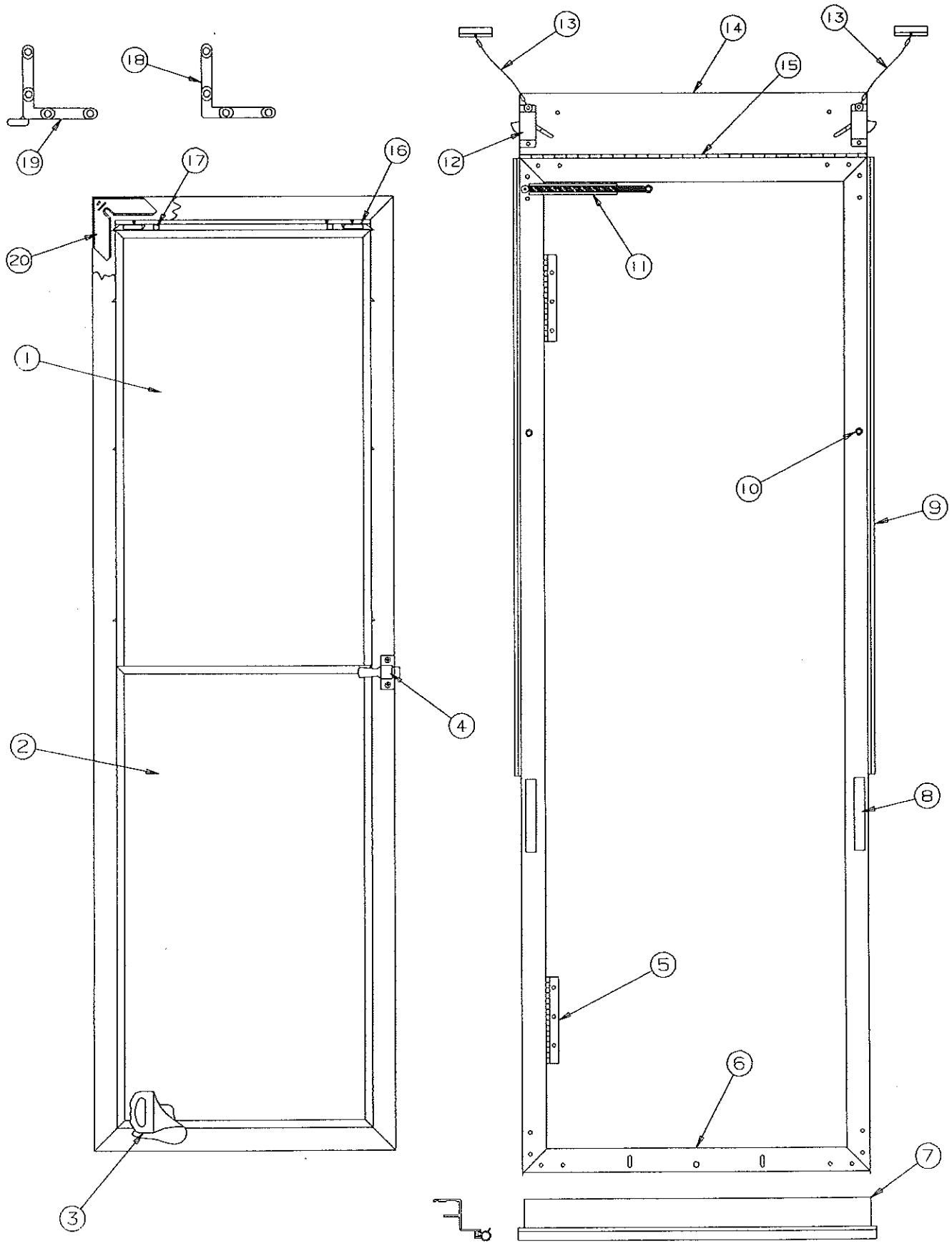
16 oz Spray
0008-2591
Elm paint

16 oz. Spray
0008-2571
Warm grey



4745-3908 Caulking
(Arctic White)

1994 PIONEER SERIES



REPAIR PARTS

SCREEN DOOR AND JAMB ASSEMBLIES

4747F5371 Screen door assembly (all)

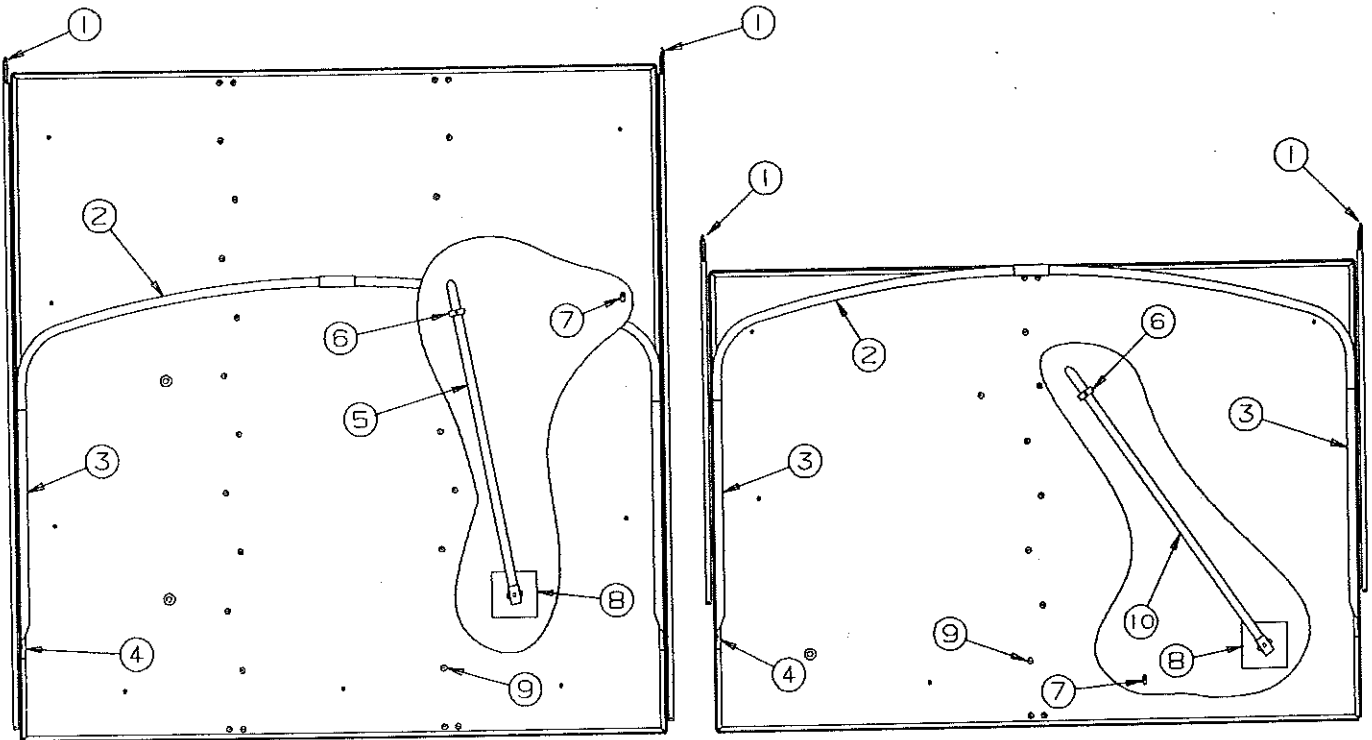
NOTE: Screen door assembly complete less door latch assembly (Code 4)

4716F6681 Screen door jamb assembly (all)

SCREEN DOOR & JAMB COMPONENT PARTS

CODE	PART NO.	DESCRIPTION
1	4716-3401	Top sliding window pane
2	4716-3411	Bottom sliding window pane
3	4750-3591	Rubber seal 18" length
4	4742-9671	Door latch assembly
5	4720C3601	Hinge x2
	1203-8641	Rivet, M50
6	4710H40981	Bottom lintel
	4741A9861	Rivet, M25
7	4747B2011	Screen door support
	4060000399F	Rubber seal (sold/foot)
8	4350000005F	Velcro hook (sold/yard)
9	4710H4101	Door seal (plastic) x2
	1203-8651	Rivet x2, M50
	1203-8641	Rivet x8, M50
10	4730A3548	Stud w/screw x2
11	4731A8201	Spring package
NOTE: Spring package includes rivets x2, spring, transparent tube		
12	4741-8658	Sash lock x2
	4747A9231	Rivet x2 per lock, M25
13	4734D5211	Cable assembly x2, M6
	4747A9231	Rivet, M25 x1 per cable
	4733-3398	Plastic spacer x1 per cable
	1202B0268	Washer x1 per cable
14	4741E88381	Top bracket (less hinge & cables)
15	4749A21581	Top bracket hinge
	1203-8641	Rivet, M50
16	4710-382	Window lock "right"
	4710-383	Spring
	1203-8558	Rivet x2
17	4710-381	Window lock "left"
18	4710-380	Corner brace
19	4710-3791	Corner brace hinge, M2
20	4715-317	Corner support gusset x2 per corner

1994 PIONEER SERIES

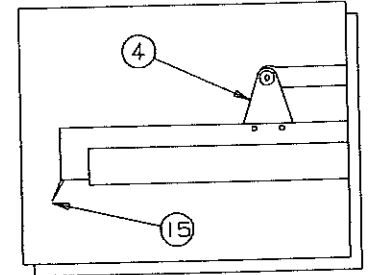
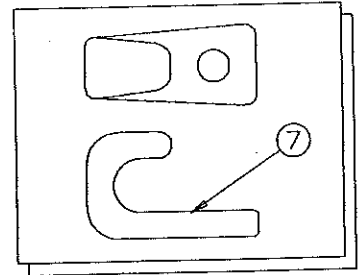
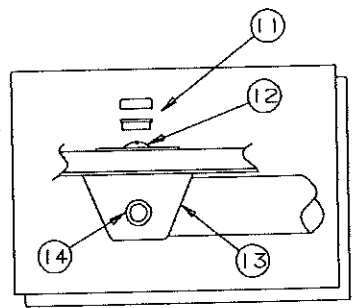


PIONEER BED ASSEMBLIES (COMPLETE)

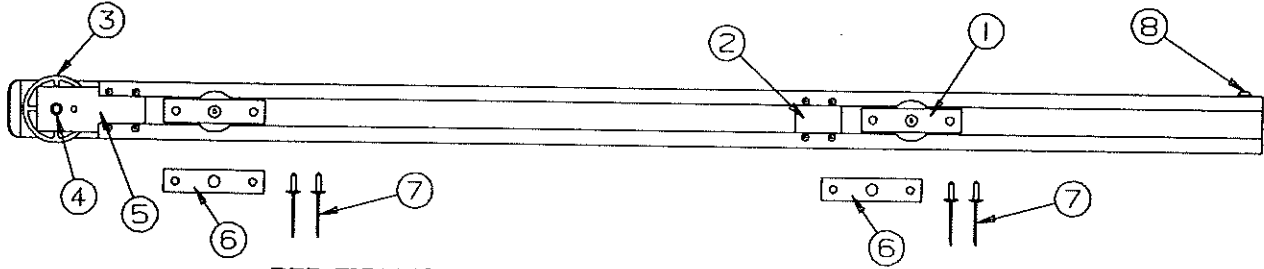
MODEL	PART NO.	DESCRIPTION
2877	4748A6121	Front Bed (double)
2877	4748A6131	Rear Bed (double)
2893,94	4744E5201	Front Bed (queen)
2841	4751-5751	Front Bed (queen)
2893,94,41	4741E6491	Rear Bed (double)

BED ASSEMBLY COMPONENT PARTS

CODE	PART NO.	DESCRIPTION
1	NOTE: Refer to bed extension chart opposite page	
2	4737F2631	Bed bow assembly (all)
3	4737F2641	Bed bow support x2 (all)
	4733-4118	Tex screw
4	4720G5631	Bed bow bracket x2 (all)
	1014B1006	Screw
5	4733E6351	Bed leg assembly x2 (queen bed only)
	4720F5821	Bed leg assembly (front bed 2877 only)
6	4720C0771	Bed leg clip, M4
	1203-8831	Rivet, M25
7	4720D4021	Lashing hook, M6
	1203-8741	Rivet, M25
8	4737A4178	Support plate
9	1203C8721	Rivet, M25
10	4734D5881	Bed leg assembly x2 (rear bed)
11	4739C2908	Screw cap
	4739-2918	Screw cap washer
12	4716-074	Screw
	1202B2528	Washer
13	4734A5141	Bed leg bracket
14	4720A2361	Rod & pal nut
15	4060400339F	Vinyl bed seal (sold/foot)



REPAIR PARTS



BED EXTENSIONS COMPONENT PARTS

CODE	PART NO.	DESCRIPTION
1	4720C5621	Roller assembly x2
2	4731A1291	Roller stop
	4749-4578	Rivet x4
3	4720B0831	Nylon wheel
4	4731A1288	Shoulder rivet
5	4741-9191	Rivet plate
	4749-4578	Rivet x4
6	4731-4711	Roller spacer x2
7	1203-8651	Rivet, M50 (extension to bed frame)
8	4733-4118	Tek screw
	1202B0268	Washer

PIONEER BED EXTENSION CHART

Bed Extensions for Front Bed Assembly

<u>Model</u>	<u>Curbside</u>	<u>Roadside</u>
2877 Columbia	4748A6601	4737B5281
2893 Chesapeake	4744A56781	4733C62981
2894 Arcadia	4744A56781	4733C62981
2841 Avalon	4744A56781	4733C62981

Bed Extensions for Rear Bed Assembly

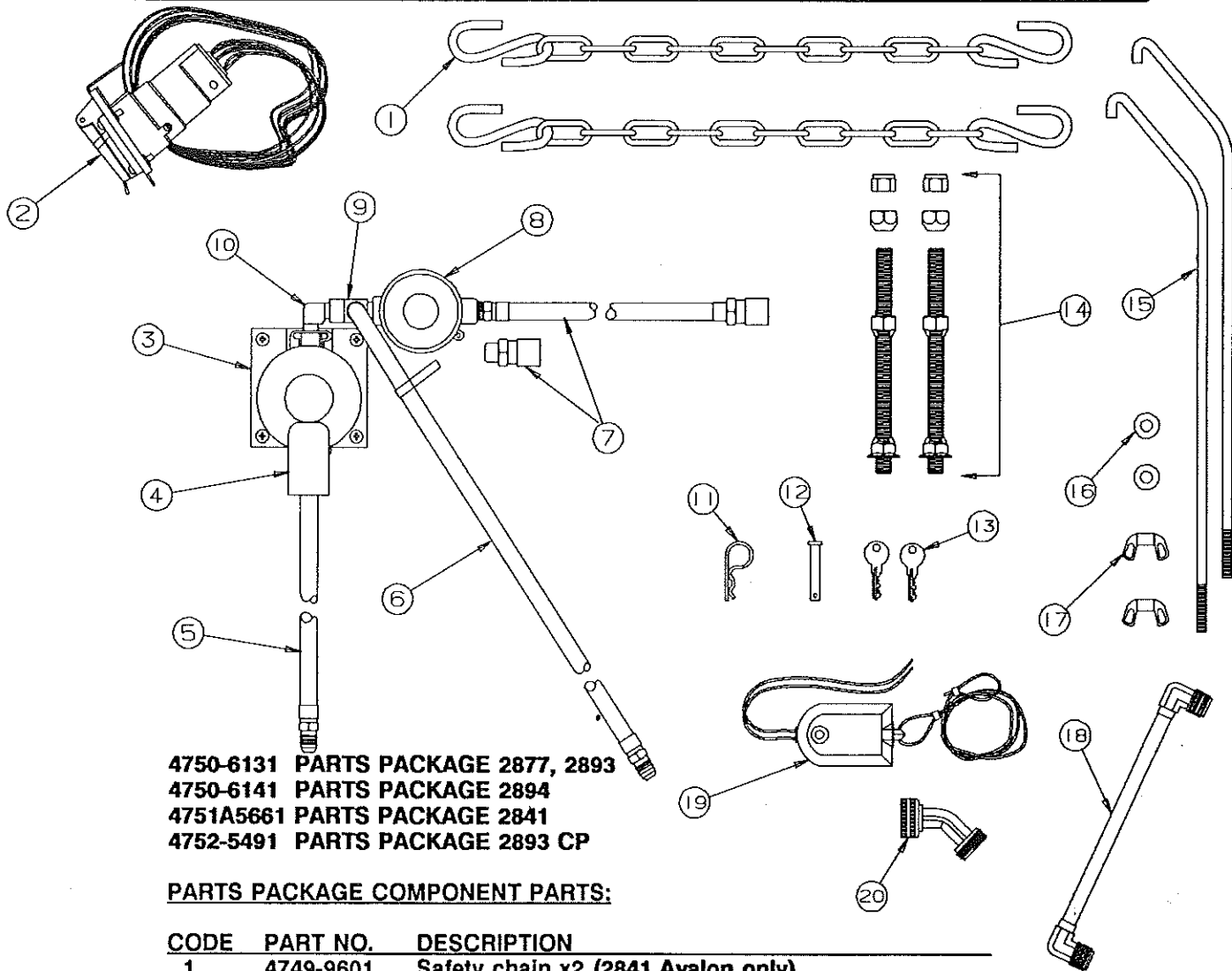
<u>Model</u>	<u>Curbside</u>	<u>Roadside</u>
2877 Columbia	4737B5281	4737B5281
2893 Chesapeake	4739D6191	4739D6191
2894 Arcadia	4739D6191	4739D6191
2841 Avalon	4739D6191	4739D6191

PIONEER SERIES MATTRESS ASSEMBLIES & COVERS

<u>Model</u>	<u>FRONT MATTRESS</u>		<u>REAR MATTRESS</u>	
	<u>Assembly</u>	<u>Cover</u>	<u>Assembly</u>	<u>Cover</u>
2877 Columbia	4724G8061	4716G8061	4724G8061	4716G8061
2893 Chesapeake	4748B6241	4716B6241	4748B6231	4716B6231
2894 Arcadia	4748B6241	4716B6241	4748B6231	4716B6231
2841 Avalon	4748B6241	4716B6241	4748B6231	4716B6231

<u>Model</u>	<u>DIMENSIONS</u>	
	<u>FRONT MATTRESS</u>	<u>REAR MATTRESS</u>
<u>Model</u>	<u>Assembly</u>	<u>Assembly</u>
2877 Columbia	47 x 71 x 4	47 x 71 x 4
2893 Chesapeake	74 x 71 x 4	50 x 71 x 4
2894 Arcadia	74 x 71 x 4	50 x 71 x 4
2841 Avalon	74 x 71 x 4	50 x 71 x 4

1994 PIONEER SERIES



4750-6131 PARTS PACKAGE 2877, 2893
4750-6141 PARTS PACKAGE 2894
4751A5661 PARTS PACKAGE 2841
4752-5491 PARTS PACKAGE 2893 CP

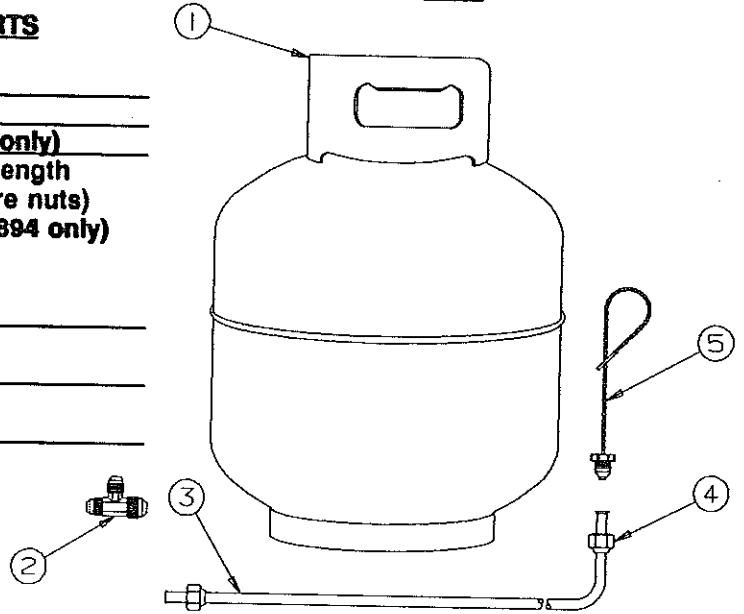
PARTS PACKAGE COMPONENT PARTS:

CODE	PART NO.	DESCRIPTION
1	4749-9601	Safety chain x2 (2841 Avalon only)
	4720D3031	Safety chain, M2 (all except 2841)
2	4746-5591	Pigtail (bargman) (all)
3	4742-9851	Regulator mounting bracket (2841 only)
	4745-3968	Screw x4 (arctic white)
4	4746-4231	Regulator cover (all)
	4742-8051	Regulator (low pressure) (all)
5	4733A3991	Gas hose 3/8" x 3/8" x 32" (all except 2894, 2893 CP)
	4737-8871	Gas hose 3/4" x 3/8" x 32" (2894, 2893 CP only)
6	4742-8081	Gas hose 1/4" x 3/8" x 32" (high pressure) (all)
7	4733R3991	Gas hose (w/POL adapter) "2841 only"
	4737-9308	POL Adapter (all except 2841)
8	4742-8041	Regulator (high pressure) (all)
9	4739-6998	Brass tee (all)
10	4742-8031	Brass elbow (all)
11	4732A4791	Safety pin, M10 (all)
12	4771-2631	Hitch pin, M5 (all)
13	4730A3211	Key, M10 (all)
14	4741A5791	Spare tire mount kit (all)
15	4733F6281	Gas bottle mounting bracket package (all)
	NOTE: (Package includes wing nuts & washers)	
16	1202B0468	Washer x2
17	1201-6258	Wing nut x2
18	4746-5381	Winterizing adapter (2894 Arcadia, 2893 CP only)
19	4746-0401	Break-a-way switch (2841 Avalon only)
20	4744-2651	45° Gooseneck (2894 only)

REPAIR PARTS

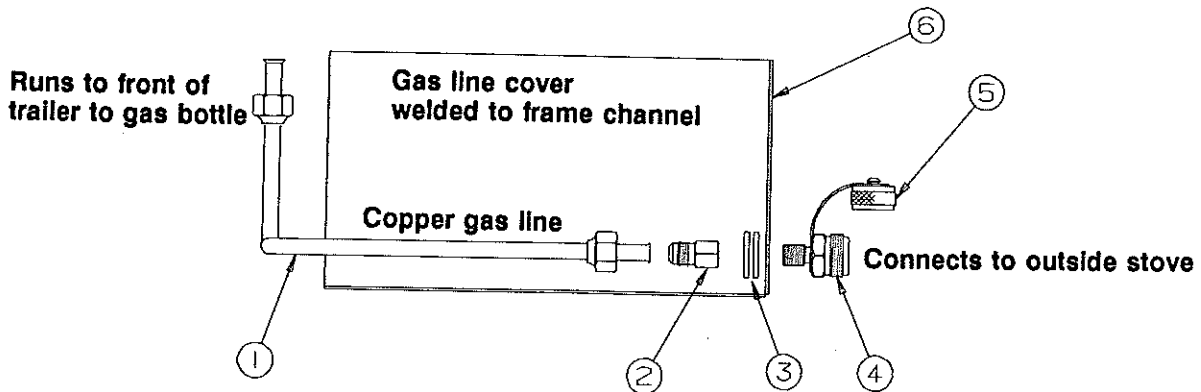
PIONEER SERIES GAS SYSTEM & RELATED PARTS

CODE	PART NO.	DESCRIPTION
1	4720J5928	Gas bottle (arctic white)
2	1215-1788	Tee 1/2 x 3/8 x 3/8 (2894 only)
3	4714-0711	3/8" Copper gas line, 100" length (includes 1 bushing & 2 flare nuts)
	4750-5746	1/2" Copper gas line 60" (2894 only) (includes 2 flare nuts)
	1201-8708	3/8" Clamp (rubber coated)
	1201-8738	1/2" Clamp (rubber coated)
4	1215-2418	Flare nut (3/8" gas line)
	1215-2438	Flare nut (1/2" gas line)
5	4733A3888	3/8" Plastic cap & chain
	4737-8388	1/2" Plastic cap & chain

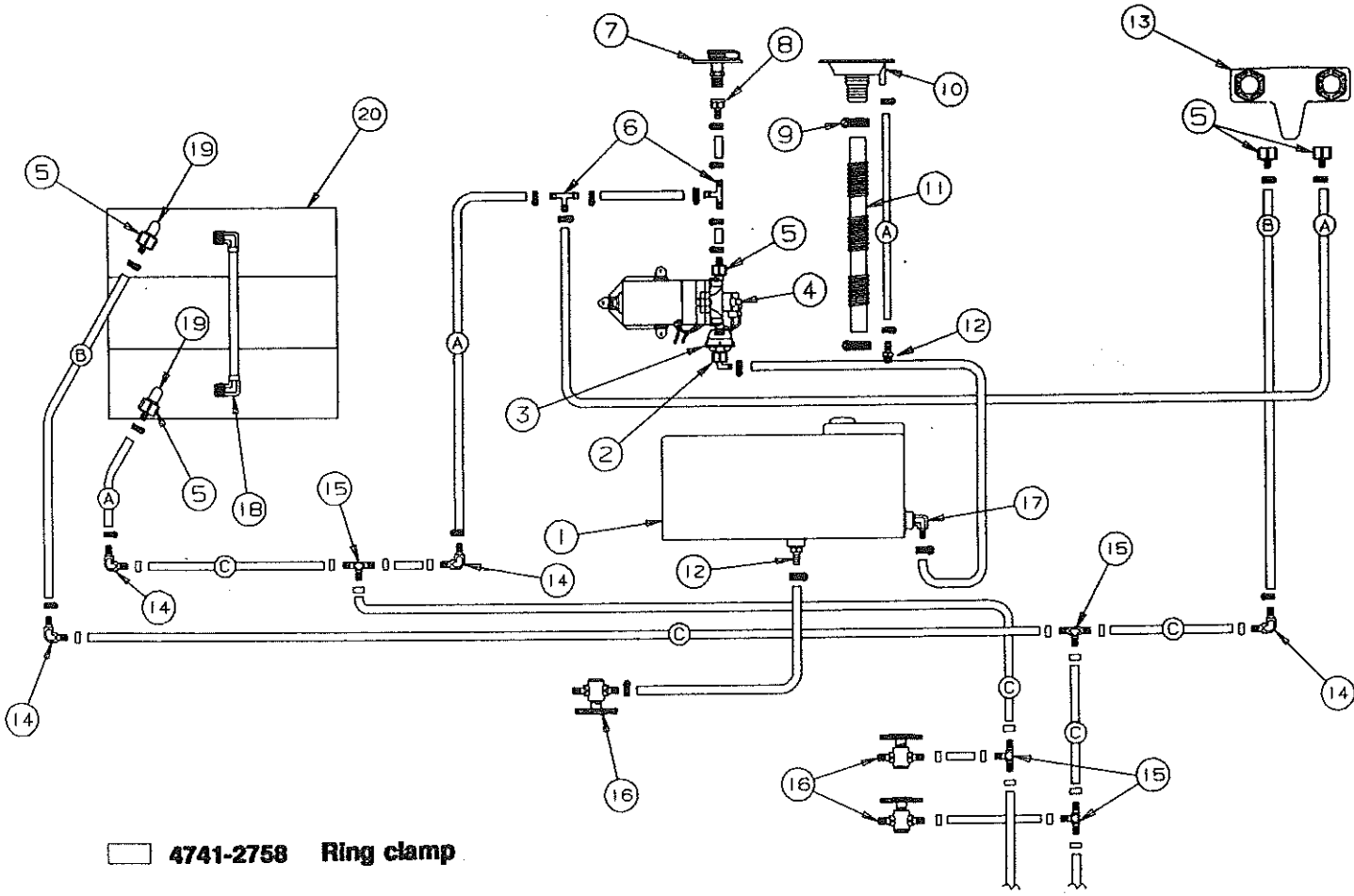


OUTSIDE STOVE GAS LINES AND COMPONENTS

CODE	PART NO.	DESCRIPTION
1	4714-0711	Copper gas line assembly, (100") 2877
	4714-0721	Copper gas line assembly, (110") 2893, 2894, 2841 (Gas lines include 2 flare nuts)
	1215-2418	Flare nut
2	4742-8061	Female coupling
3	1202B1068	Washer x2
4	4739-6978	Cylinder adapter
5	4742-8071	Brass cap w/strap
6	4746-9371	Gas line cover, 2877
	4742-8551	Gas line cover, 2893, 2894, 2841



1994 PIONEER SERIES



4741-2758 Ring clamp

4731-3058 Adjustable hose clamp

2694 ARCADIA - WATER SYSTEM & RELATED PARTS

CODE	PART NO.	DESCRIPTION
1	4733G1411	Water tank (10 gallon)
2	4741-9068	Swivel elbow
3	4747A8311	Water filter
4	4741B5571	Electric water pump
	4746-3778	Fuse holder
5	4716-2341	Nut, barb & seal package
6	1218-1508	Barbed tee 3/8" x 3/8" x 3/8"
7	4732F1521	City fill
8	4741-9568	Female adapter
	1202-5828	Rubber washer
9	4715-4501	Adjustable clamp
10	4731D1711	Water tank fill spout
11	4731G1081	Water fill hose, sold 24" lengths
12	4732A4561	Hose adapter
13	4745D2741	Faucet
14	4741-2398	Barbed elbow 3/8"
15	4741-2388	Tee 3/8" x 3/8" x 3/8"
16	4741A2368	Line drain
17	4741-2378	Elbow
18	4746-5381	Winterizing adapter
19	4746-8831	Plastic elbow
20	4741-5531	Water heater

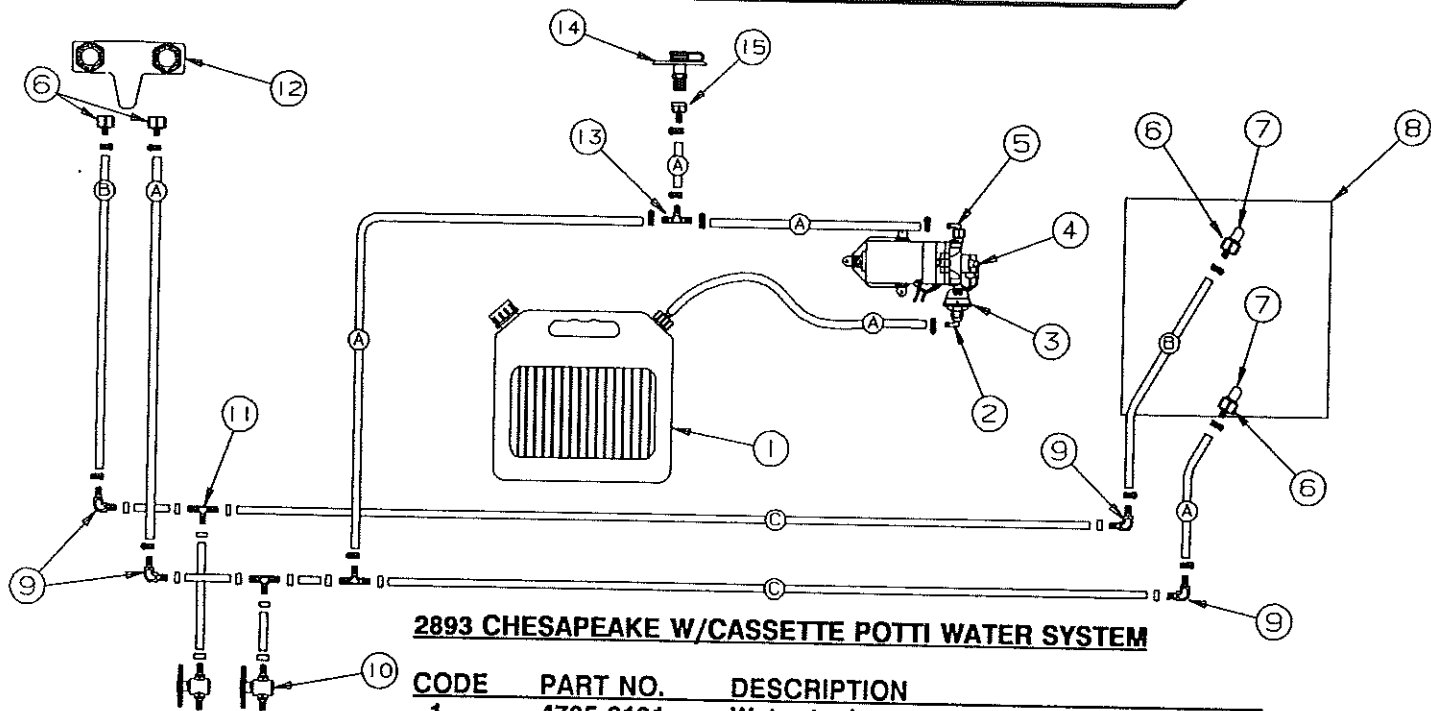
A	4714-038	High pressure hose 3/8" I.D. (sold/ft)
B	4714-338	Hot water hose 3/8" I.D. (sold/ft)
C	4060050001	Grey plastic tubing 3/8" I.D. (sold/ft)

To order service parts for Atwood Water Heater please write or phone:

Atwood Mobile Products
 4750 Hiawatha Drive
 Rockford, IL 61101

Phone: 800/847-7160

REPAIR PARTS



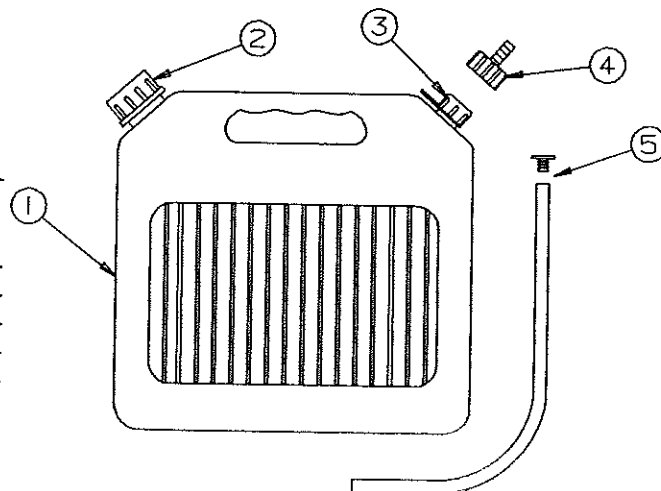
2893 CHESAPEAKE W/CASSETTE POTTI WATER SYSTEM

CODE	PART NO.	DESCRIPTION
1	4735-2131	Water tank
2	4741-2351	Swivel elbow
3	4747A8311	Water filter
4	4741B5571	Electric water pump
5	4741-9068	Swivel elbow
6	4716-2341	Nut, barb & seal package
7	4750-922	Brass elbow
8	4750-3421	Water heater
9	4741-2398	3/8" Barbed elbow
10	4741A2368	Line drain
11	4741-2388	Barbed tee
12	4745D2741	Mixer faucet
13	1218-1508	Barbed tee
14	4732F1521	City fill
15	4741-9568	Female adapter
	1202-5828	Rubber washer

- A 4714-038 High pressure hose 3/8" I.D. (sold/ft)
- B 4714-338 Hot water hose 3/8" I.D. (sold/ft)
- C 4060050001 Grey plastic tubing 3/8" I.D. (sold/ft)

PORTABLE WATER SYSTEM - ALL EXCEPT 2894

CODE	PART NO.	DESCRIPTION
1	4735-2131	Water tank (complete)(5 gal.)
	4735C0988	Water decal
	4748-8941	Throw-in-tank (5 gallon)
2	4714-0231	Large white cap
3	4714-0221	Small cap w/tie-on
4	4714-0241	Barb stem & collar
5	4714A0671	Suction stem



1994 PIONEER SERIES

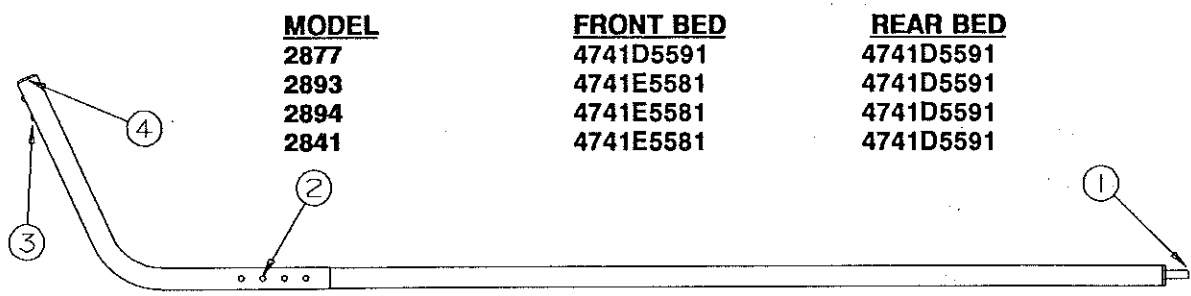
EVOLUTION III ASSEMBLIES & COMPONENTS

CODE	PART NO.	DESCRIPTION
1	4748B62651	Front boot 2877
	4751-58451	Front boot 2893,94,41
2	4748B62651	Rear boot 2877
	4748A59451	Rear boot 2893,94,41
3	4724C81451	Large window 2877
	4748A59351	Large window 2893,94,41
4	4728D68451	Small window 2877
	4751-59551	Small window 2841
	4748A59251	Small window 2893,94
5	4748B59851	Door seal 2877
	4748A58051	Door seal 2893,94
	4751-59651	Door seal 2841
6	4060100056F	Door seal extrusion (rubber) (sold/ft)
7	4714E1611	Screen package (84" x 3 yds)
	4714A0361	Screen package (84" x 13 yds)
8	4716A0851	Evolution patch package (12" x 14")
	4716-3301	Evolution patch package (54" x 2 yds)
9	4716-2401	Window vinyl (41" x 2 yds)
10	8119901429	Top vinyl (grey/warm grey back)
11	8119901426	Bottom vinyl (rain forest green)
12	4060000024F	Arrowhead seal (sold/ft)
13	4060000055	Vinyl tubing 5/16" dim.
14	8160000320F	Bias binding (grey)
15	6650500130F	Zipper (grey) around windows
16	1225-4461	Zipper pull (grey) (around windows)
17	1225G3478	Zipper pin half (grey) 50 1/2
18	1225G3468	Zipper slider half (grey) 50 1/2
19	4735A6721	Extension harness (wire & plugs)
20	4714B6021	Shock cord & clips, M2 (14')
	4724-2011	Shock cord crimps, M10
21	4743-1588	K Kote seam sealer
22	1226-1228	Brass grommet w/teeth (round)
23	4728-5641	Canvas retainer package, M4

PANELING AND TRIM

4714F4501	Universal wall panel (48 x 18 1/16) Greenbriar oak (seat bench, converter cabinet)
4716B2241	Universal wall panel (48 x 18 1/16) Plum pewter (wall sections)
4716G2911	Toe or corner molding (Plum pewter) 48", M5
4714G2921	Panel divider (Plum pewter) M5, 17 3/4"
4714F2911	Corner Divider (Greenbriar oak) M5, 17 5/8"
4714G2921	Panel divider (Greenbriar oak) M5, 17 3/4"
4714E2931	Toe molding (Elm) M2, 48" lengths (seat bench only)

TENT SUPPORT ASSEMBLIES (COMPLETE)



MODEL	FRONT BED	REAR BED
2877	4741D5591	4741D5591
2893	4741E5581	4741D5591
2894	4741E5581	4741D5591
2841	4741E5581	4741D5591

COMPONENT PARTS:

CODE	PART NO.	DESCRIPTION
1	8470-1728	Pole pin, blue, x1
2	4734-6708	Spring assy x1
3	4734A6708	Spring assy x1
4	4730B4648	Tube closure x1
	4733-4118	Tek screw x1

REPAIR PARTS

SUNBRELLA TENTING ASSEMBLIES & COMPONENTS

CODE	PART NO.	DESCRIPTION
1	4748B62691	Front boot 2877
	4748A59591	Front boot 2893,94,41
2	4748B62691	Rear boot 2877
	4748A59491	Rear boot 2893,94,41
3	4724C81491	Large window 2877
	4748A59391	Large window 2893,94,41
4	4728D68491	Small window 2877
	4751-59591	Small window 2841
	4748A59291	Small window 2893,94
5	4748A59891	Door seal 2877
	4748A58091	Door seal 2893,94
	4751-59691	Door seal 2841
6	4060100056F	Door seal extrusion (rubber) (sold/ft)
7	4714E1611	Screen package (84" x 3 yds)
	4714A0361	Screen package (84" x 13 yds)
8	4716C0851	Sunbrella patch package (12" x 14")
9	4716-2401	Window vinyl (41" x 2 yds)
10	8119901429	Top vinyl (grey/warm grey back)
11	8119901426	Bottom vinyl (rain forest green)
12	4060000024F	Arrowhead seal (sold/ft)
13	4060000055	Vinyl tubing 5/16" dim.
14	4723-818	3" Acrylic binding "grey" (sold/yd)
15	6650500130F	Zipper (grey) around windows
16	1225-4461	Zipper pull (grey) (around windows)
17	1225G3478	Zipper pin half (grey) 50 1/2
18	1225G3468	Zipper slider half (grey) 50 1/2
19	4735A6721	Extension harness (wire & plugs)
20	4714B6021	Shock cord & clips, M2 (14')
	4724-2011	Shock cord crimps, M10
21	4743-1588	K-Kote seam sealer
22	1226-1228	Brass grommet w/teeth (round)
23	4728-5641	Canvas retainer package, M4

2800 PIONEER SERIES DRAPE PACKAGES

Pioneer Series	Drape Drape Pkg	No. of Panels	Color
2877 Columbia	4724W6331	4	Green
2893 Chesapeake	4723H7781	4	Green
2894 Arcadia	4723H7781	4	Green
2841 Avalon	4751A5931	4	Green

Component Parts

4750-2891 Drape Tab C-Shape M60

DRAPE TIE PKG (Qty 1)

4716A1141 Curtain tie, (all)

SINGLE DRAPE PANEL W/SAFETY STRAP

4716E0421 Green w/c-clips (all)

VALANCE PACKAGE WITH C-CLIPS

2877 Columbia	4716B4511
2893 Chesapeake	4716B8531
2894 Arcadia	4716B8531
2841 Avalon	4716A3051

4749A7981 Dressing room curtain 2894 only

COMPONENT PARTS

4739-0678	I-Beam stop x2
4739-1191	Carrier & hook x17, M6
4716A1141	Curtain tie

1994 PIONEER SERIES

PIONEER SERIES TOP ASSEMBLIES (ARCTIC WHITE)

4744G5231 - Top assembly 2877 - Columbia
 4716U9931 - Top assembly 2893 - Chesapeake, 2894 - Arcadia, 2841 - Avalon

CODE	PART NO.	DESCRIPTION
1	4741C1991	Top corner (right front/left rear)
	4745-3968	Screw x6 (arctic white)
	4350000058F	Foam tape
	4745-3908	Caulking, arctic white
2	4741C1981	Top corner (left front/right rear)
3	4728D20881	Canopy track (all) (must cut to length)
	4745-3968	Screw (arctic white)
4	4741B2319	Center seam (all) (must cut to length)
	4060400096F	Vinyl screw cover
	4741-3508	Hex head screw
	4350000058F	Foam tape
5	4741E21381	Top seal extrusion (front/rear) (all)
6	4715C2091	Top strike x4, M4
	4744A2461	Screw x2 arctic white, M2
	1201B6958	Nut x2
7	4741F11381	Tent support bracket x2
8	4737F5911	Dome light
	4714F0891	Dome light lens
	1103B1028	Screw x4
9	4746-9121	Clothes clip
10	4737-3211	Rubber button x2, M8
11	4730A3548	Stud w/screw x2
12	4733G4711	Screen door track
	4744-4611	Rivet, M25
13	4750-33561	I-Beam track (2894 only)
	4739-1208	Mounting bracket x7
	4745-3968	Screw (arctic white x14)
14	4749A5571	Screen door bracket
	4749-2138	Snap button
	1203-8641	Rivet x1, M50
15	4741C96568	Expansion rivet "warm grey"
16	4734D5211	Screen door cable, M6
17	4350400003F	Vinyl tape (blue mist)
18	4723A5061	Safety strap x2
19	1203-9258	Plastic accordion rivet x4
20	4741H18681	Side cove x2 (all) (must cut to length)
21	4741G21481	Cove, front/rear (all)
22	4741C1891	Evolution & valance track (sold/9 ft pc)
23	4751-821	Canvas track 74"
24	4748A4731	Shower curtain rod holder (2894 only)
25	4748A4621	Twisty fastener x2 (2894 only)
26	4741F35481	Lift cover (curbside front/roadside rear)
	4741G12881	Lift cover (roadside front/curbside rear)
	4741D3558	Hole plug x2
	4350000005F	Velcro hook (sold/yard)
27	4741B5431	Lift pocket x4
	1201B6378	Lock nut x8
28	4060000399F	Rubber top seal (sold/foot)
29	4741-8841	Retaining bracket x2
30	4350000022F	1/2" x 1/4" Foam tape (sold/ft)
31	4741E3148	Top seal sides x2, 2877
	4741D1888	Top seal sides x2 2893, 2894, 2841

REPAIR PARTS

