

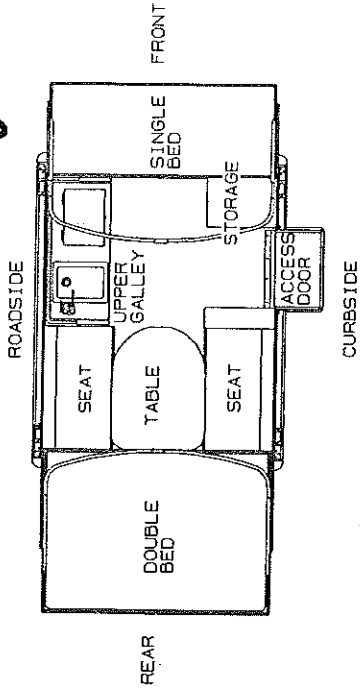
**PILIONIER**

**STRITS**

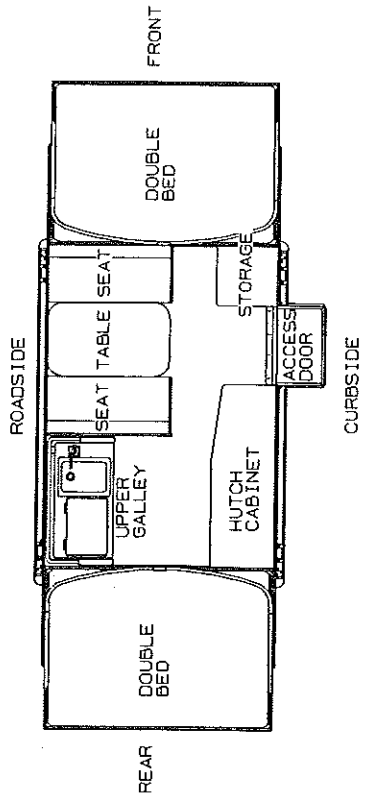
**FLEETWOOD®**

**1993  
REPAIR  
PARTS**

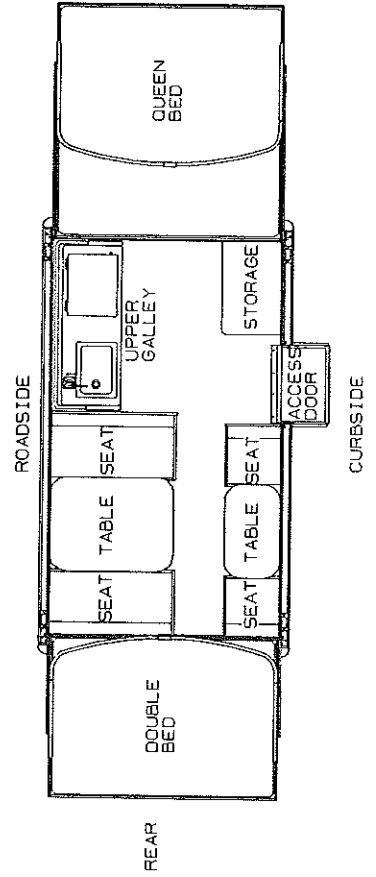
2766 SEDONA 8'



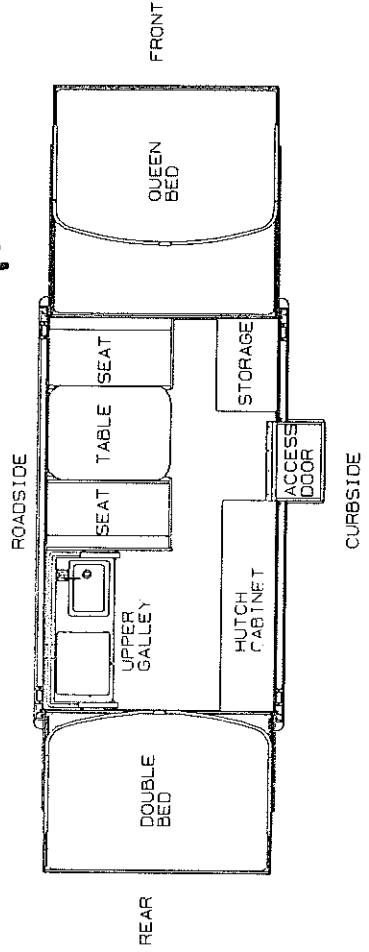
2785 NEWPORT 8'



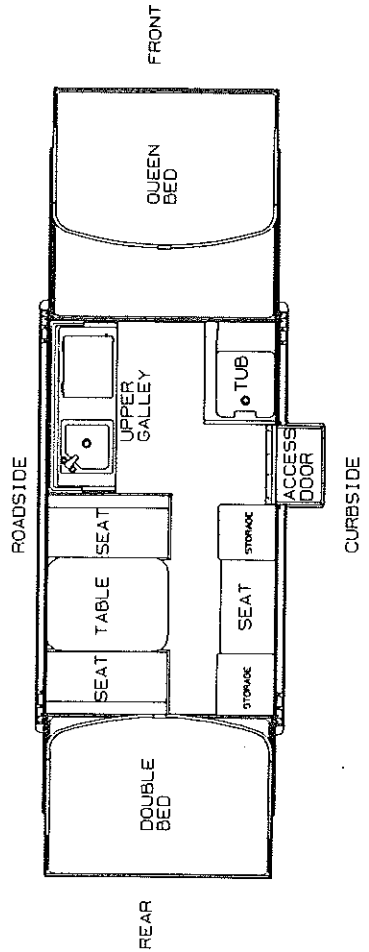
2792 SENECA 11'



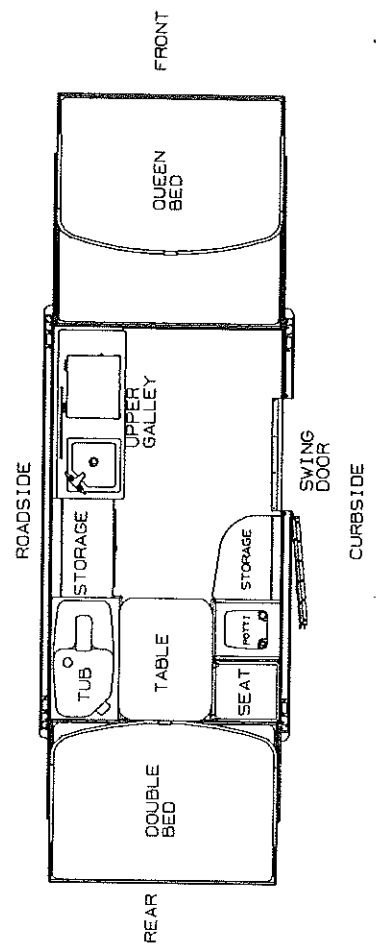
2793 CHESAPEAKE 11'



2794 ARCADIA 11'



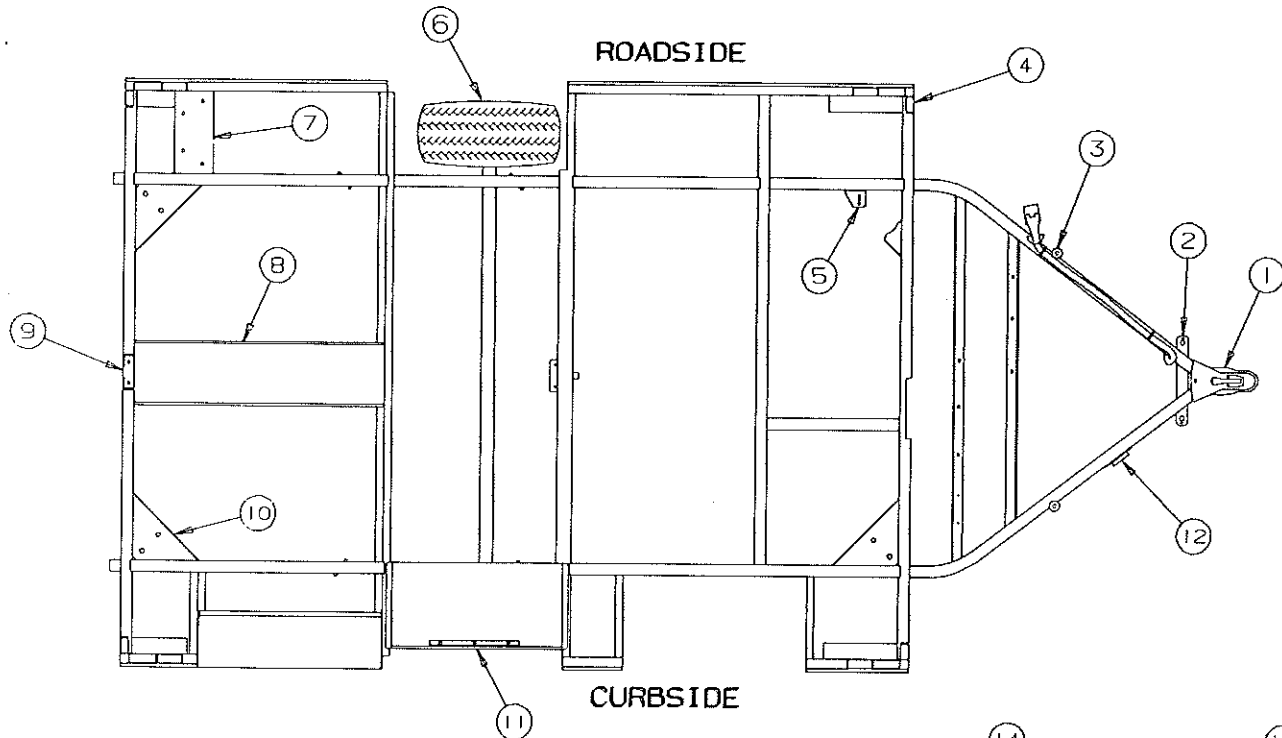
2797 EVERGREEN 11'



# TABLE OF CONTENTS

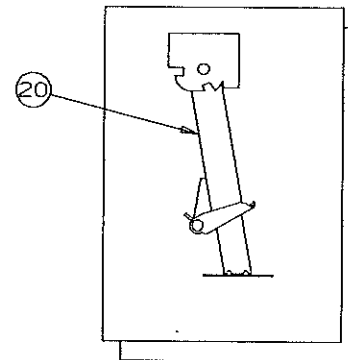
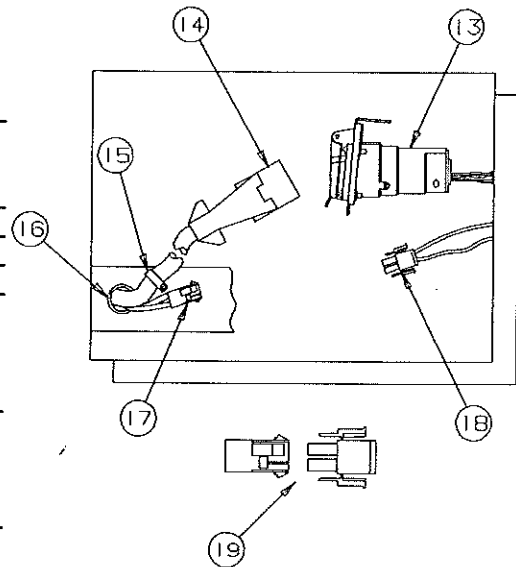
DESCRIPTION	PAGE NUMBER
Access door assembly & related parts	12
Access door light	12
Access door bulkheads, front/right rear	11
Access door key	12, 36
Auto extension	34
Axle beam	6
Axle assembly & related parts	6
Bath tub, 2797, Evergreen	24
Bed assemblies & related parts	32
Bed extensions & related parts	33
Body panel - right front (curbside)	11
Body panel - right rear (curbside)	10
Body panel - rear panel & related parts	9
Body panel - front panel & related parts	8
Body panel - left side (roadside)	13
Cable hatch	13
Caulking	34
Chain (upper crank assembly)	3
City water fill	13
Converter & related parts	29
Converter, 2797, Evergreen	24
Cooler 48 qt (4748-9991)	
Corner bulkhead assembly	2
Coupler assembly	2
Crank & sprocket assembly	3
Crank handle	12, 36
Cushion & backrest assemblies - covers	29
Drain hose (used on sink assemblies)	15
Drape packages/Single drape packages	30
Drape tie package	30
Drape tabs (new/old style)	30
Dressing room, curtain 2794	26
Electric brake package	7
Electric water pump, 2794, 2797	38
Electric brakes & related parts	7
Evolution III assemblies	41
Fire extinguisher	22
Floor covering 6610507225	
Frame assembly & related parts	2
Gas lines & related parts (outside stove)	36, 37
Gas bottle & related parts	37
Gas bottle mounting bracket	36
Gas hose (gas bottle)	36
Grease seal & bearings	6
Grease cap (dust cap)	6, 7
Hub assembly & related parts	6
Hutch/Seat assembly 2794	23
Hutch assemblies, 2785, 2793	22
Leaf springs & shackles	6
Lift assemblies & related parts	4
Lift trim & miter covers	9
Lower galley assemblies & related parts	
Lower galley 2766	16
Lower galley 2785	17
Lower galley 2792, 2794	18
Lower galley 2793	19
Lower galley 2797	20
Lug bolts	6, 7
Mattress assemblies & covers	33
Paint (spray & quart cans)	34
Paneling & trim	41
Parts packages & related parts	36
Pigtail (car end)	2, 36
Potti (Porta Potti) 2797, Evergreen	25
Power cord, (converter)	29
Ratchet & related parts	3
Receptacle (outside)	10
Receptacles (inside)	29
Regulator & fittings	36
Rivets & usage	34
Safety latch	8
Screen door & related parts	31
Screen door cables	31
Seat fronts	28
Seat assembly & related parts	28
Shower curtain, 2794	26
Shower curtain, 2797 - Evergreen	24
Shower curtain rod assy, 2797 - Evergreen	24
Shower cabinet 2794, Arcadia	26
Shower head & hose, 2794	26
Shower curtain rod assembly 2794	26
Sink & related parts	15
Spare tire mount package	34
Stabilizer handle	12, 36
Stabilizer assembly	2
Storage cabinet (potti cabinet)	21
Stove (outside stove & related parts)	35
Stove (upper galley assemblies)	15
T-molding (upper galley tops)	14
Table assembly & related parts	27
Taillights	9
Tent support assemblies & related parts	29
Thrust nut	5
Tire & rim	2
Tongue jack & related parts	3
Top latch	10, 11, 13
Top assemblies & related parts	42, 43
Trim tape	10, 11, 12, 13
Trim tape repair kits	10, 11, 12, 13
Upper galley assemblies & related parts	14
Upper galley lift bar & related parts	14
Valance packages	30
Water heater, 2794, 2797	38
Water pump hold down	14
Water tank 10 gallon 2794 Arcadia	40
Water systems, 2794, 2797	38, 39
Water tanks, 2797 Evergreen	39
Water heater door, 2794, 2797	10
Water tank portable, throw-in-tank	40
Water pump (upper galley assembly)	14
Wheel well assembly	2
Whiffletree & related parts	5
Whiffletree extensions	5
Wire harness (trailer front)	2
Zippers (Evolution III assemblies)	41

# 1993 PIONEER SERIES



## MAIN FRAME ASSEMBLY COMPONENT PARTS

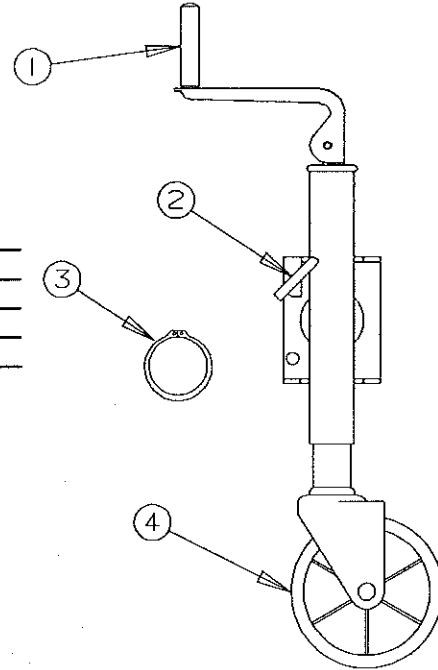
CODE	PART NO.	DESCRIPTION
1	4730A3561	Coupler assembly 1 7/8" (all except 2797)
	4742-2001	Coupler assembly 2" (2797 only)
	4714-2211	Coupler repair kit
2	4720A3561	Chain bar
3	4747-8941	Pin cover, M2 (plastic)
4	4733C1541	Corner bulkhead x4
	4732C3678	Adjustable pulley bracket x4
	4715A5371	Pulley & bearing, M10
	4720C1578	Short pin
5	1204B1081	Cotter pin, M10
	4741C3988	Tire & rim 8" LR "B" (2766)
	4749B2358	Tire & rim 10" LR "B" (2785, 2792, 2793)
	4749B8648	Tire & rim 10" LR "C" (2794, 2797)
6	4741-3268	Valve extension 2"
	4749-627	Stabilizer support (rs) (all) 11'
7	4749-626	Stabilizer support (cs) (all) 11'
	4748-3411	Floor brace (all)
8	4741B5601	Spare tire mount bulkhead
9	4744-668	Corner gusset x4 (2766, 2785)
10	4741A3311	Wheel well assembly x2
11	4720A3331	Jack bracket
12	4746-5591	Pigtail (bargman) car end
13	4746-9811	Wire harness (bargman) - ct front
	4742-8961	Braided nylon sleeve
14	1201-8708	Clamp 3/8"
	4744A050	Tek screw
15	4742-8108	Snap bushing 1/4"
16	4716-5001	Power harness - ct end
17	4735A6721	Extension harness - car end
18	4716-4701	12 Volt cap & plug package
19	4720D0731	Stabilizer assembly x4
	4739-2298	Nut (2 per stabilizer)



# REPAIR PARTS

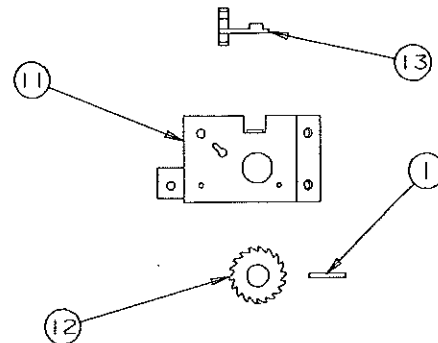
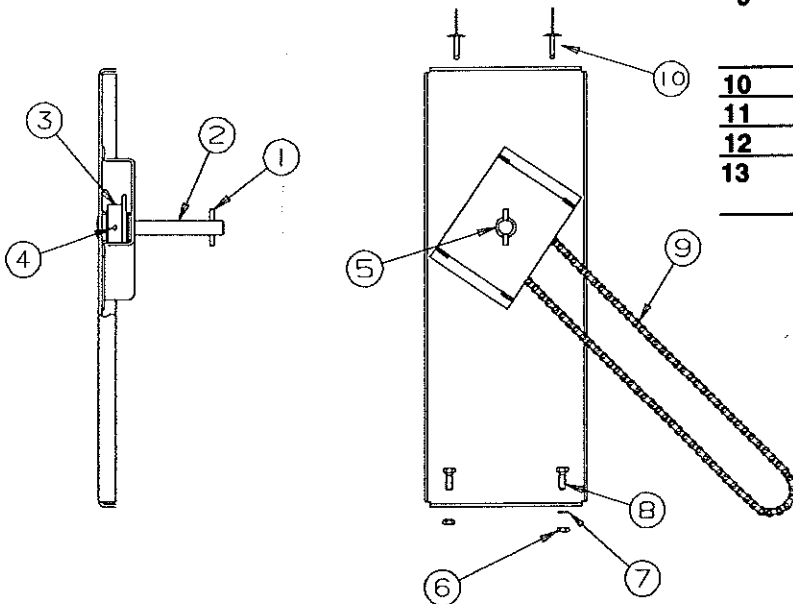
## Tongue Jack Assembly, 4720B6661

CODE	PART NO.	DESCRIPTION
1	4714-2821	Jack handle kit, M2
2	4714-2818	Locking plunger kit
3	4720A3341	Snap ring
4	4716-6661	Jack wheel, nut & bolt

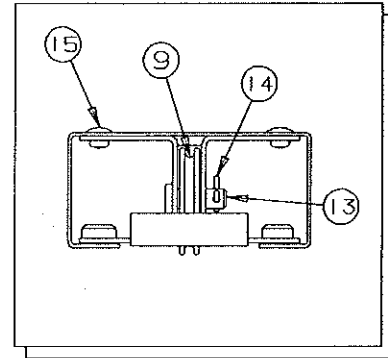
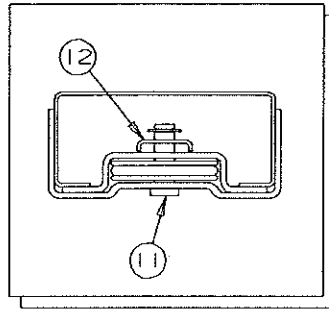
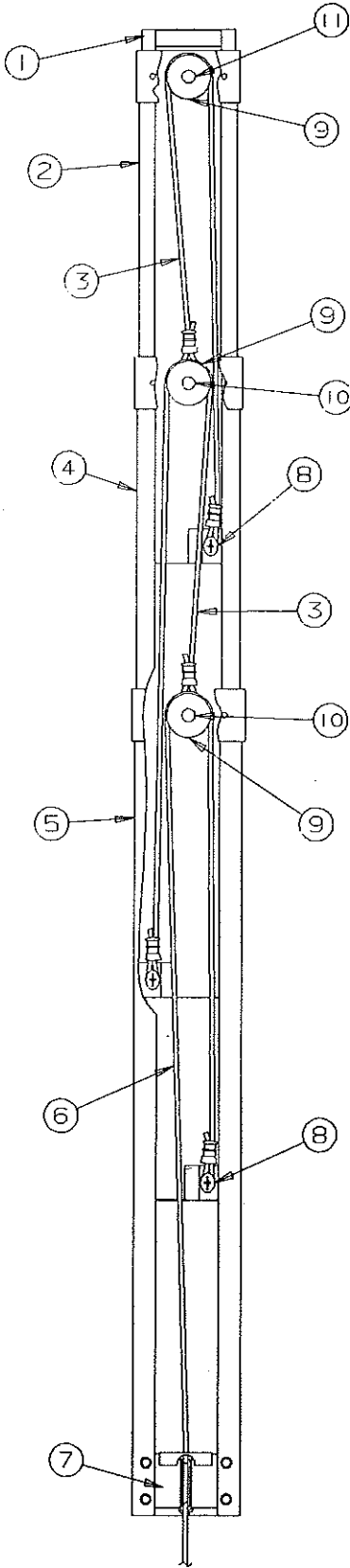


## CRANK AND SPROCKET ASSEMBLIES (4720J58081)

CODE	PART NO.	DESCRIPTION
1	4720X1481	Roll pin, 1" long, M10
2	4730C3408	Sprocket shaft
3	4730B3858	Sprocket (24 tooth)
4	4720B1481	Roll pin M10
5	4730C3828	Bronze bearing
6	1201B6038	Hex nut x2
7	1202B0438	Washer x1
8	4731-3878	Hex head bolt x2
9	4730E3691	Chain (includes connecting link)
	4730A3811	Connecting link
	4714-0351	Half link
10	1203C8721	Rivet x2, M25
11	4746-0198	Ratchet bracket
12	4737-4508	Ratchet gear
13	4737A4511	Butterfly switch
	4737-4698	Black cap x2



# 1993 PIONEER SERIES



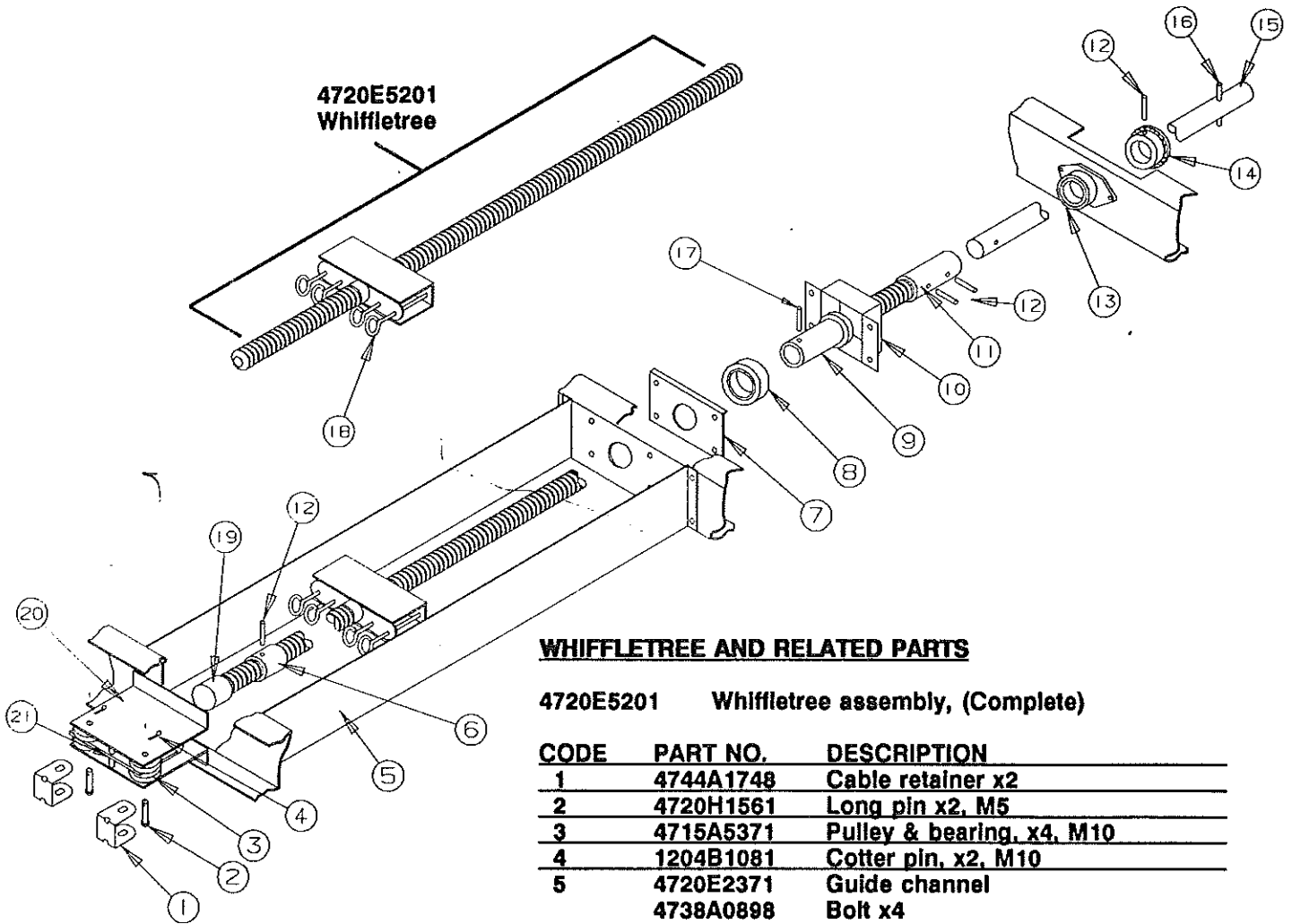
## LIFT ASSEMBLIES

4716-0011 - Lift assembly, Roadside Rear/Curbside Front

4716-0021 - Lift assembly, Roadside Front/Curbside Rear

CODE	PART NO.	DESCRIPTION
1	4720E5181	Top lift assy (4716-0021)
	4739B6741	Top lift assy (4716-0011)
2	4720E5171	Center lift assy (4716-0021)
	4739B6731	Center lift assy (4716-0011)
3	4720C5271	Cable assy x2, M2 (both)
	4720C1691	Steel cable crimp, M20
4	4720F5161	Bottom lift assy (4716-0021)
	4739B6751	Bottom lift assy (4716-0011)
5	4720H5151	Stationary lift assy (both)
6	4747-6741	Stainless steel cable assy M2 (156" long) (includes 2 copper cable crimps in package)
	4744-1318	Copper cable crimp, M10
7	4731C5801	Butterfly bracket assy
8	4749-2081	Screw x3, M6
9	4715A5371	Steel pulley & bearing x4, M10
10	4747-8931	Long pin, x2
	4730B0981	Retaining ring, M12
11	4749-4061	Pin short x1, M4
	4730B0981	Retaining ring, M12
12	4749A2028	Retaining clip
13	4720C1578	Lift pin x1
14	1204B1081	Cotter pin, M10
15	1203-8641	Rivet x4, M50
16	4738A0898	Lift bolt x4 per lift (not shown) (mount lift to frame channel)

# REPAIR PARTS



## WHIFFLETREE AND RELATED PARTS

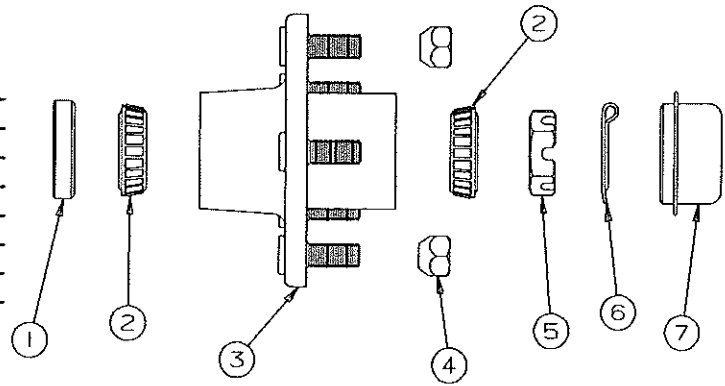
4720E5201 Whiffletree assembly, (Complete)

CODE	PART NO.	DESCRIPTION
1	4744A1748	Cable retainer x2
2	4720H1561	Long pin x2, M5
3	4715A5371	Pulley & bearing, x4, M10
4	1204B1081	Cotter pin, x2, M10
5	4720E2371	Guide channel
	4738A0898	Bolt x4
	1201B6038	Hex nut x4
6	4710A4248	Bushing
7	4720B2418	Plate
8	4720A2421	Thrust bearing
9	4720B2388	Thrust nut
10	4720B2408	Retainer
11	4720D1221	Coupling
12	4720B1481	Roll pin, M10
13	4741B8408	Bearing (front cross channel)
	1200B3048	Bolt x2
	1202B0468	Washer x2
	1201B6068	Nut x2
14	4730B3848	Sprocket (12 tooth)
15	4737D1191	Whiffletree extension 2766
	4720G1201	Whiffletree extension 2785
	4739C00181	Whiffletree extension 11 ft models
16	4730B3381	Roll pin x1, 2" long, M6
17	4744A1301	Shear pin, M10
18	4744-4451	Screw eye x4, M4
	1201B6078	5/16" Locknut x8
19	4730D1291	Screw socket x1 (welded to cross channel)
20	4720-1551	Pulley plate
21	4715C5661	Pulley spacer

# 1993 PIONEER SERIES

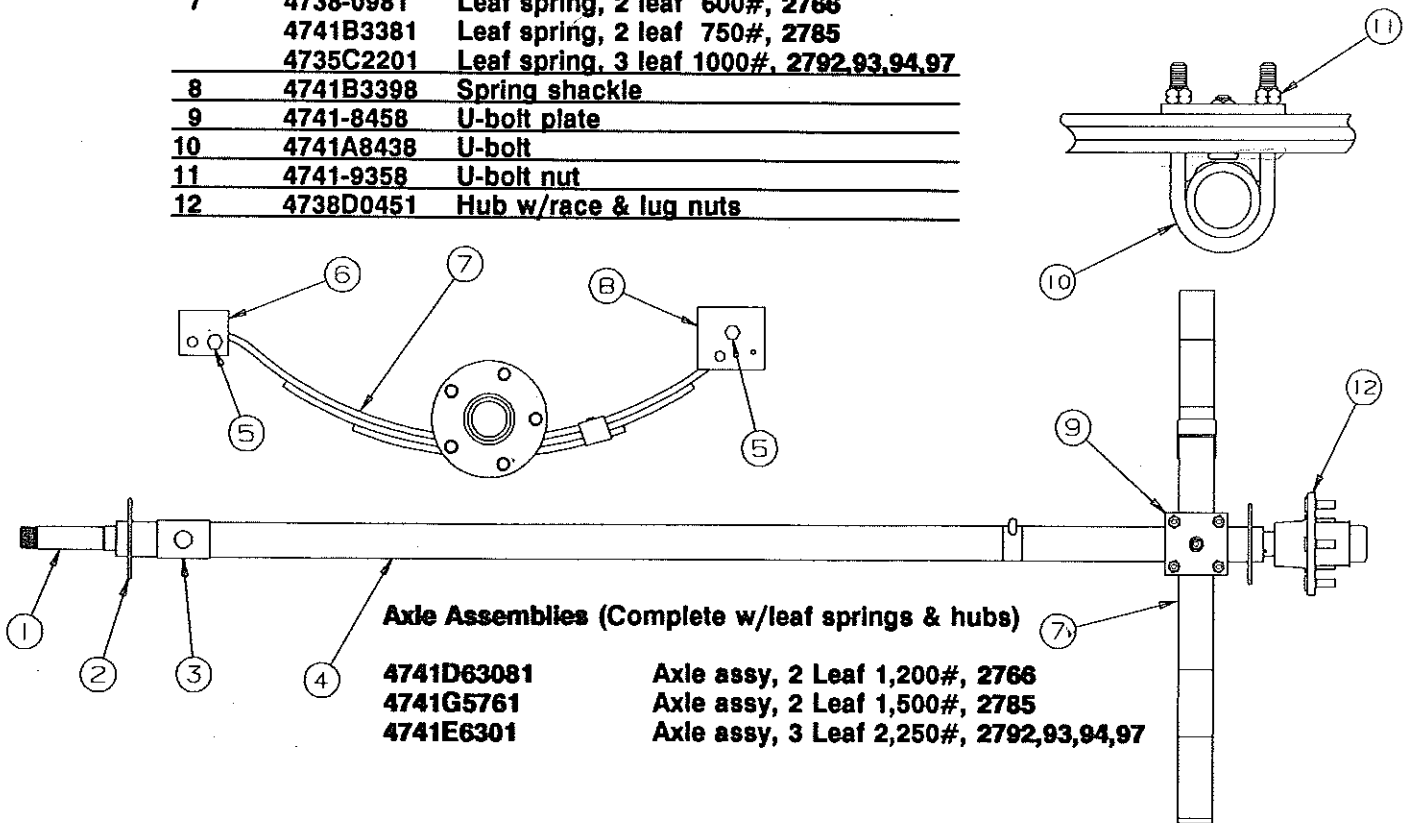
## HUB ASSEMBLY & RELATED PARTS

CODE	PART NO.	DESCRIPTION
1	4714A2201	Grease seal x1, M4
2	4716-1101	Bearing & race pkg
3	4738D0451	Hub w/race & lug nuts
4	4747A9528	Lug nut x5
5	4714-3068	Slotted spindle nut, x1
6	1204-1268	Cotter pin x1
7	4714-0621	Grease cap x1, M4



## AXLE & SPRING COMPONENTS

CODE	PART NO.	DESCRIPTION
1	4741B8491	Spindle
2	4741A847	Brake Mounting plate
3	4741-8461	Spring pad channel, M2
4	4741D6251	Axle beam (all)
5	4737A1318	Shackle bolt
	4741-9498	Shackle bolt nut
6	4741A3398	Spring shackle
7	4738-0981	Leaf spring, 2 leaf 600#, 2766
	4741B3381	Leaf spring, 2 leaf 750#, 2785
	4735C2201	Leaf spring, 3 leaf 1000#, 2792,93,94,97
8	4741B3398	Spring shackle
9	4741-8458	U-bolt plate
10	4741A8438	U-bolt
11	4741-9358	U-bolt nut
12	4738D0451	Hub w/race & lug nuts

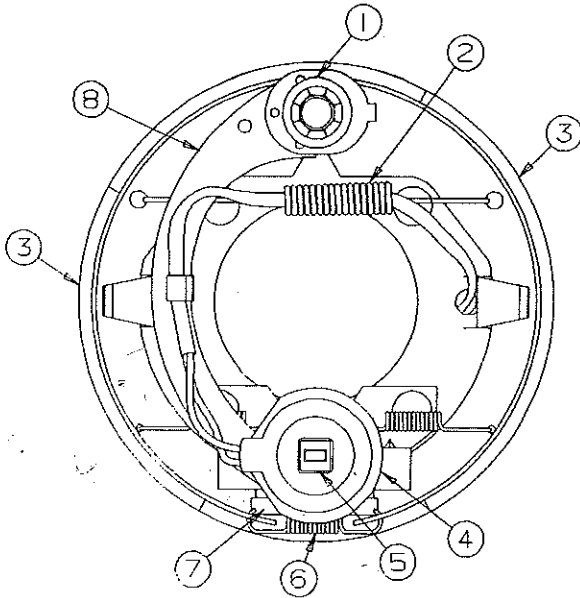


**Axle Assemblies (Complete w/leaf springs & hubs)**

4741D63081	Axle assy, 2 Leaf 1,200#, 2766
4741G5761	Axle assy, 2 Leaf 1,500#, 2785
4741E6301	Axle assy, 3 Leaf 2,250#, 2792,93,94,97

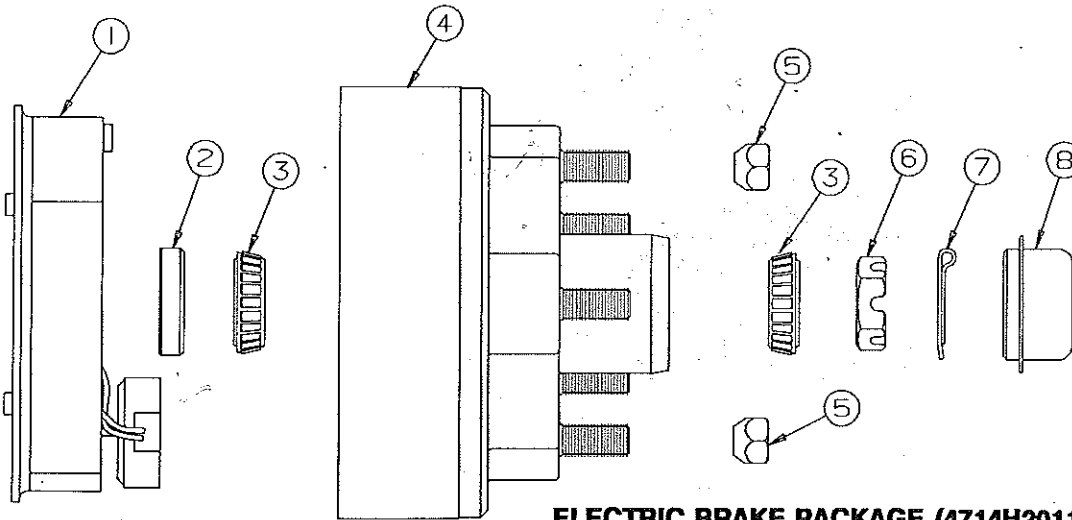


# REPAIR PARTS



## ELECTRIC BRAKE COMPONENTS

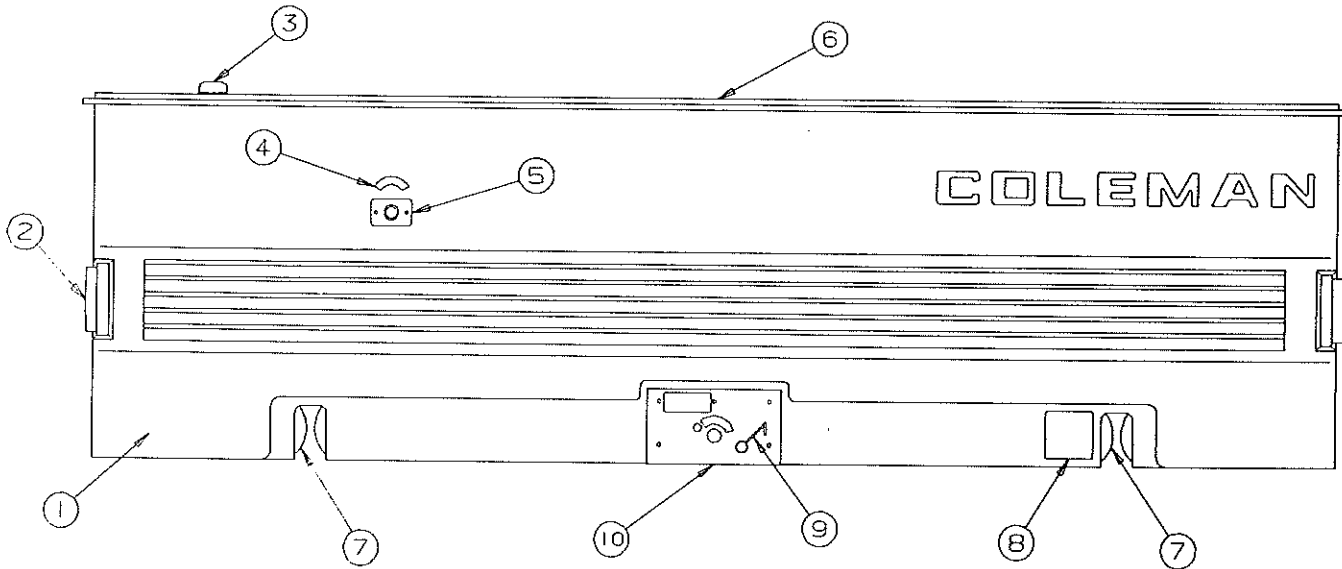
CODE	PART NO.	DESCRIPTION
1	4714A2461	Anchor post clip x2, M2
2	4714A2411	Retractor spring
3	4714B2071	Brake shoes (primary & secondary)
4	4714D2451	Magnet package (white wires) (includes: 1 magnet, 1 spring & 1 retainer clip)
5	4714B2471	Retainer clip, M2
6	4714A2101	Adjusting screw spring
7	4714A2041	Adjusting screw
8	4714A2841	Actuating lever arm package (includes: Right hand & Left hand arms)
9	4714B2421	Magnet housing spring (not shown)



## ELECTRIC BRAKE PACKAGE (4714H2011)

CODE	PART NO.	DESCRIPTION
1	4733A3521	Brake assy (right hand)
	4733A3531	Brake assy (left hand)
2	4714A2201	Grease seal x2, M4
3	4716-1101	Bearing & race package x4
4	4716A1071	Hub & drum assy x2
5	4747A9528	Lug nut x10 (per brake pkg)
6	4714-3068	Spindle nut, (slotted) x2
7	1204-1268	Cotter pin x2
8	4714-0621	Grease cap x2, M4

# 1993 PIONEER SERIES



## FRONT BODY PANEL ASSEMBLY COMPONENTS

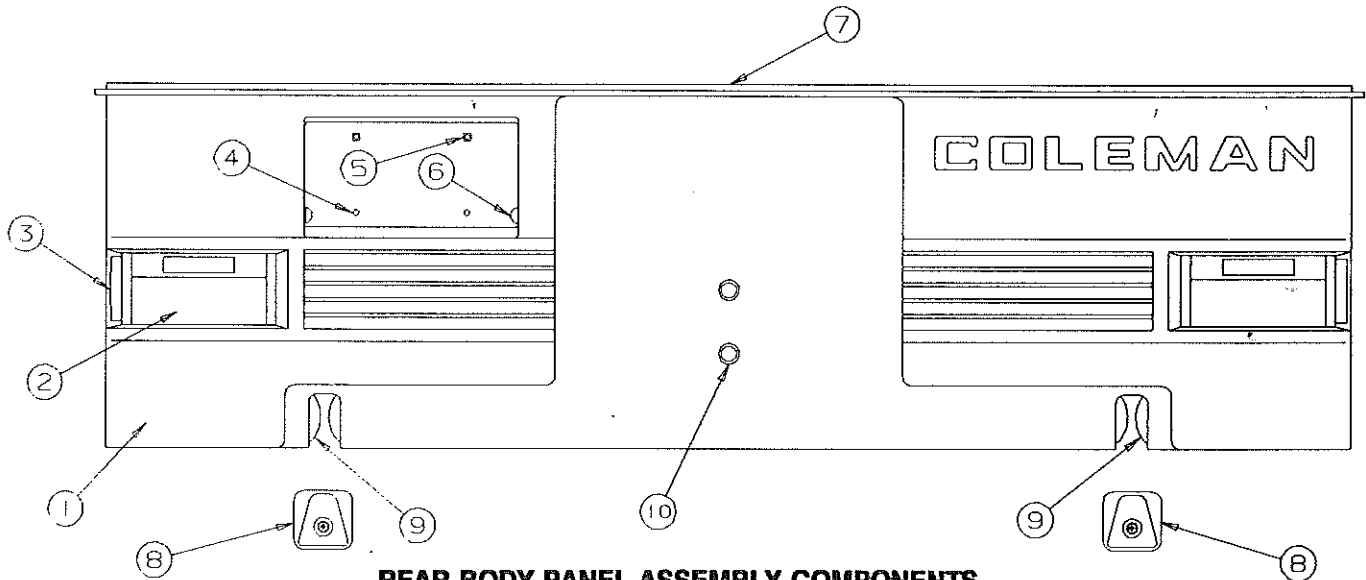
**NOTE:** All panels are shipped less hardware & decals.

**2700 Pioneer Series Body Panel Repair Kit**

**4716D2121 Front/Rear Body Panel Hardware & Decal Kit**

CODE	PART NO.	DESCRIPTION
1	4737G8601	Front body panel (all)
2	4714G08481	Amber lens & base x2
	4745-3968	Screw "arctic white" x2 per light
	4714-3701	Bulb M4 (#194)
	4733G1311	Socket & harness x1 per light
3	4734D1538	Bed stop angle x1
	1103E1018	Screw "ss" x2
4	4730H3188	"Open" decal
5	4741C4031	Bushing plate
	4745-3968	Screw "arctic white" x2
6	4720J18081	Front end rail (all)
	4741B1578	Body panel clip x4 per panel
	1203-8641	Rivet, M50 x1 per clip
7	4737B4458	Frame gasket x2
8	4730J2138	Gas piping decal
9	4730A1221	Safety latch
	4720B3448	Shoulder bolt
	1202B2528	Washer
	1201B6038	Locknut
10	4715L1231	Body filler plate
	4745-3968	Screw "arctic white" x5
	4737E3638	Caution decal

# REPAIR PARTS



## REAR BODY PANEL ASSEMBLY COMPONENTS

NOTE: All panels are shipped less hardware & decals.

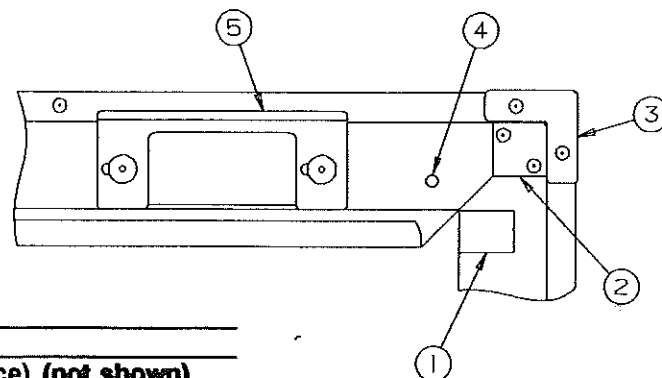
### 2700 Pioneer Series Body Panel Repair Kit

### 4716D2121 Front/Rear Body Panel Hardware & Decal kit

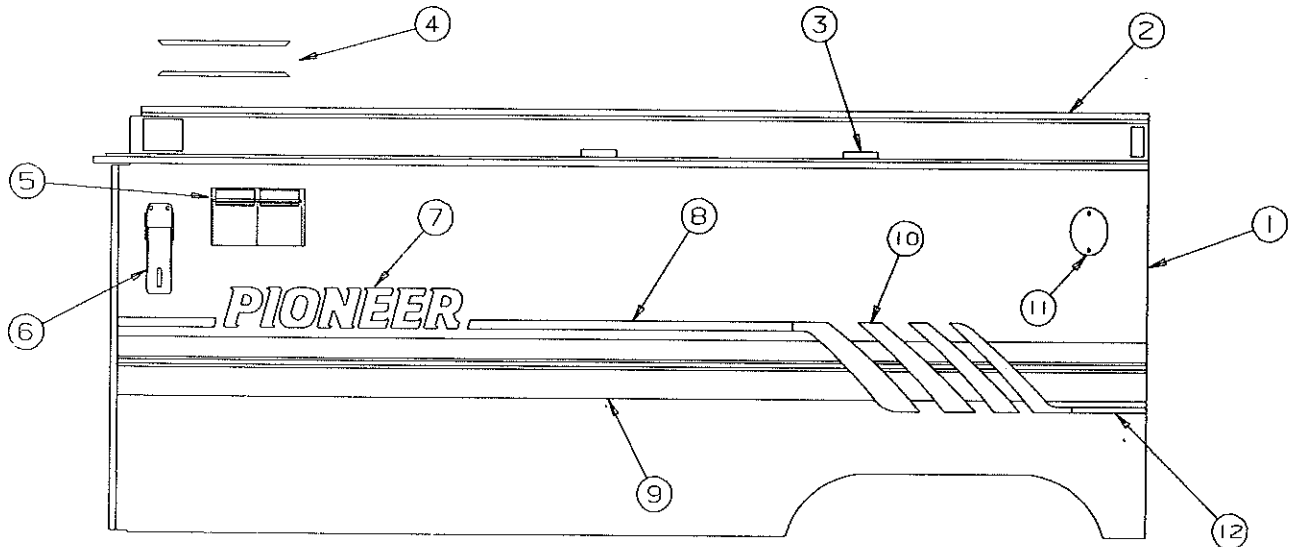
CODE	PART NO.	DESCRIPTION
1	4737F8621	Rear body panel (all)
2	4749-4321	Taillight assembly x2
	4716-1041	Taillight lens (only)
	4747-2558	Expansion rivet x4
3	4714G08581	Red lens & base x2
	4745-3968	Screw "arctic white" x2 per light
	4714-3701	Bulb, M4 (#194)
	4733G1311	Socket & harness x1 per light
4	4737A0728	Black rubber bumper x2
5	4732-1181	Plastic grommet, M4
	1121C1618	License plate screw x2
6	4739B4311	License plate light
7	4737C8811	Rear end rail (all)
	4741B1578	Body panel clip x4 per panel
	1203-8641	Rivet, M50 x1 per clip
8	4744B5571	Bumper pad assembly
	1200B3038	Bolt x1 per pad
9	4737B4458	Frame gasket x2
10	4744B8598	Hole plug x2

## LIFT TRIM & MITER COVERS

CODE	PART NO.	DESCRIPTION
1	4747-2171	Bug hole patch
2	4716B9111	Inner miter cover, M4
	4747-2558	Rivet x1
3	4716C9101	Outer miter cover, M4
	4747-2558	Rivet x2
4	4741-8218	Screw
5	4734B4121	Lift trim
	4747-8651	Foam tape, M4 (under lift trim)
	1203-8831	Rivet x2, M25
6	4710-3621	Roll pin x4, M10 (not shown)
7	4716-081	Screw (to hold tent section in place) (not shown)
8	4723B8071	Velcro hook 2" x 2" square (not shown)



# 1993 PIONEER SERIES



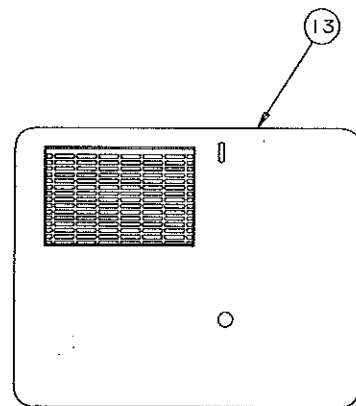
## CURBSIDE RIGHT REAR BODY PANEL & COMPONENTS

Note: All panels are shipped less trim tape & decals

### 2700 Pioneer Series Body Panel Repair Kit

### 4716E2101 Curbside Body Panel Hardware & Trim Tape Kit

CODE	PART NO.	DESCRIPTION
1	4737E8611	Body panel, 2766
	4744D0031	Body panel, 2785
	4744C0531	Body panel, 2792,93,97
	4748A4381	Body panel, 2794
2	4739D2708	Body rail 2766
	4744A045	Body rail 2785
	4744B063	Body rail 2792,93
	4742A874	Body rail 2794
	4750-010	Body rail 2797
	1203-8641	Rivet, M50, (rail to panel)
	4723B8071	Velcro hook 2" x 2" square
	4724G26731	Velcro hook 3/4" wide
	4710-3621	Roll pin, M10
3	4734D3051	Stove bracket x2 (grey)
	4734F1861	Rivet, M25 (3 per bracket) (grey)
4	4737-0738	Bed slide, 6 3/16"
	4730B1211	Bed slide, 16 3/16", M4
	4350000093F	Double stick tape
5	4746A3861	Duplex cover & outlet
	4746-3871	Duplex box
	1203-8678	Rivet x4
6	4741C6041	Top latch without lock
	4749-4848	Foam pad
	4741-8218	Hex head tex screw x4
7	4746A9808	Pioneer logo
8	4350001395F	Pin stripe "wide" 4 ft. (all)
9	4350001397F	Trim tape, 6 ft. (all)
10	4748A8928	Die cut (curbside)
11	4733-2818	RVIA tag
	1203-8678	Rivet x2
12	4350001396F	Pin stripe "narrow" 1 ft. (all)
13	4714H3391	Water heater door, 2794, 2797



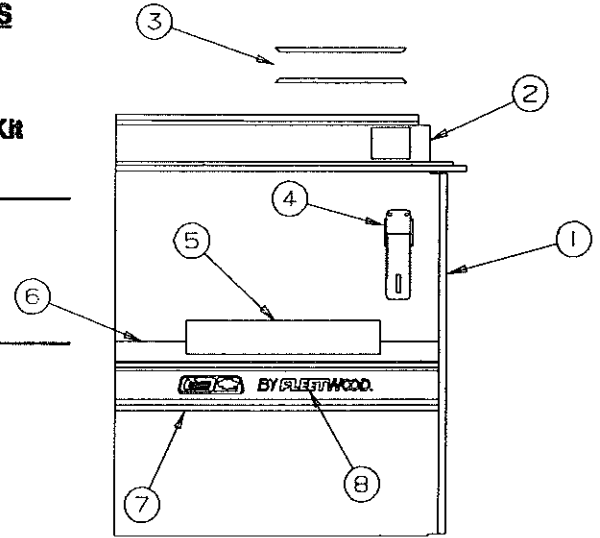
# REPAIR PARTS

## CURBSIDE RIGHT FRONT BODY PANEL & COMPONENTS

Note: All panels are shipped less trim tape & decals

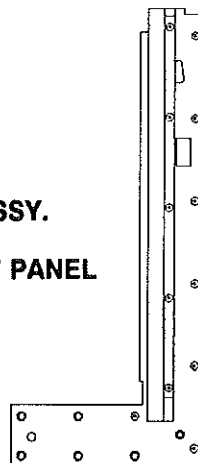
2700 Pioneer Series Body Panel Repair Kit  
4716E2101 Curbside Body Panel Hardware & Trim Tape Kit

CODE	PART NO.	DESCRIPTION
1	4737E8571	Body panel, 2766
	4744D0051	Body panel, 2785
	4744C0551	Body panel, 2792, 2793
	4748B4371	Body panel, 2794
	4750-0081	Body panel, 2797
2	4739D2698	Body rail, 2766
	4744-046	Body rail, 2785
	4744A065	Body rail, 2792, 2793, 2794
	4750-009	Body rail, 2797
	1203-8641	Rivet, M50 (rail to panel)
	4723B8071	Velcro hook patch 2"x2"
	4724G2631	Velcro hook patch 3/4"
	4710-3621	Roll pin, M10 - x4
3	4737-1088	Bed slide 10 11/16" 2766 (bottom of rail)
	4737-0738	Bed slide 6 3/16" 2766 (top of rail)
	4730B1211	Bed slide 16 3/16"
4	4715F5051	Top latch (with lock)
	4749-4848	Foam pad x1
	4741-8218	Hex head tek screw x4
5	4737G8808	Name decal (Sedona)
	4744F0018	Name decal (Newport)
	4748-9878	Name decal (Seneca)
	4739H1918	Name decal (Chesapeake)
	4748A4748	Name decal (Arcadia)
4750-0118	Name decal (Evergreen)	
6	4350001397F	Trim tape 4ft (all)
7	4350001396F	Pin stripe "narrow" 4ft (all)
8	4749A9408	Coleman/Fleetwood decal



ALL COMPONENT PARTS THE SAME ON FRONT & REAR

4733J50681  
BULKHEAD ASSY.  
(COMPLETE)  
RIGHT FRONT PANEL



4734E057  
DOOR SEAL

4733D0601  
RIVET, M25

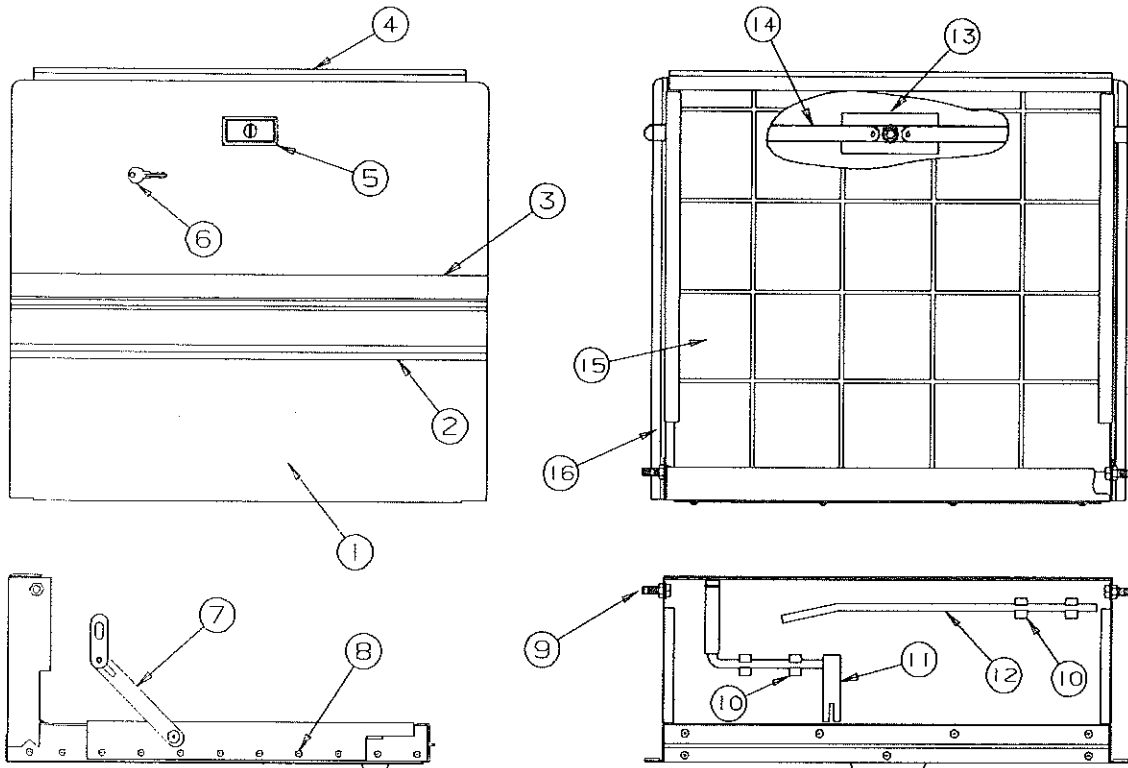
1203-8978  
COUNTERSUNK RIVET

4734C3371  
RUBBER DOOR SEAL

4733J50581  
BULKHEAD ASSY.  
(COMPLETE)  
RIGHT REAR PANEL

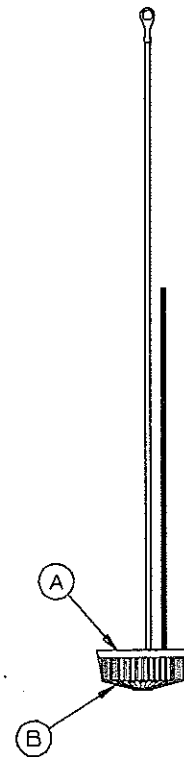
4744A050  
TEK SCREW

# 1993 PIONEER SERIES



**PIONEER SERIES - ARCTIC WHITE**  
**4739L6541 - ACCESS DOOR ASSEMBLY COMPLETE (EXCEPT 2797 MODEL)**  
**4750-5071 - SWING DOOR 2797, EVERGREEN**

CODE	PART NO.	DESCRIPTION
1	4741F03281	Access door skin
	4750-0151	Swing door skin (2797 only)
2	4350001396F	Trim stripe, 3 ft.
3	4350001397F	Trim tape, 3 ft
4	4731E2338	Access door cap
	1203-8641	Rivet x8, M50
5	4730B3111	Lock handle (less key)
	4716-056	Screw x2
	1201B6958	Keps nuts x2
6	4730A3211	Access door key, M10
7	4744-6981	Swing arm assembly
	1203C8721	Rivet, M25
	1202B0468	Washer
8	4733D0601	Rivet x22, M25
9	1006B2428	Bolt x2
	1202B0468	Washer x2
	1201B5188	Nut x2
10	4734-2431	Snap clip, M4
	4733-4118	Tek screw
11	4747C4141	Crank handle
12	4749-1861	Stabilizer handle
13	4741-1438	Reinforcement plate
14	4741-6551	Lock bar assembly
15	4731R22981	Floor covering
16	4060025006F	Foam tape
17	4745-3908	Caulking (arctic white) (not shown)
18	4737C8581	Hinge 2797 (not shown)

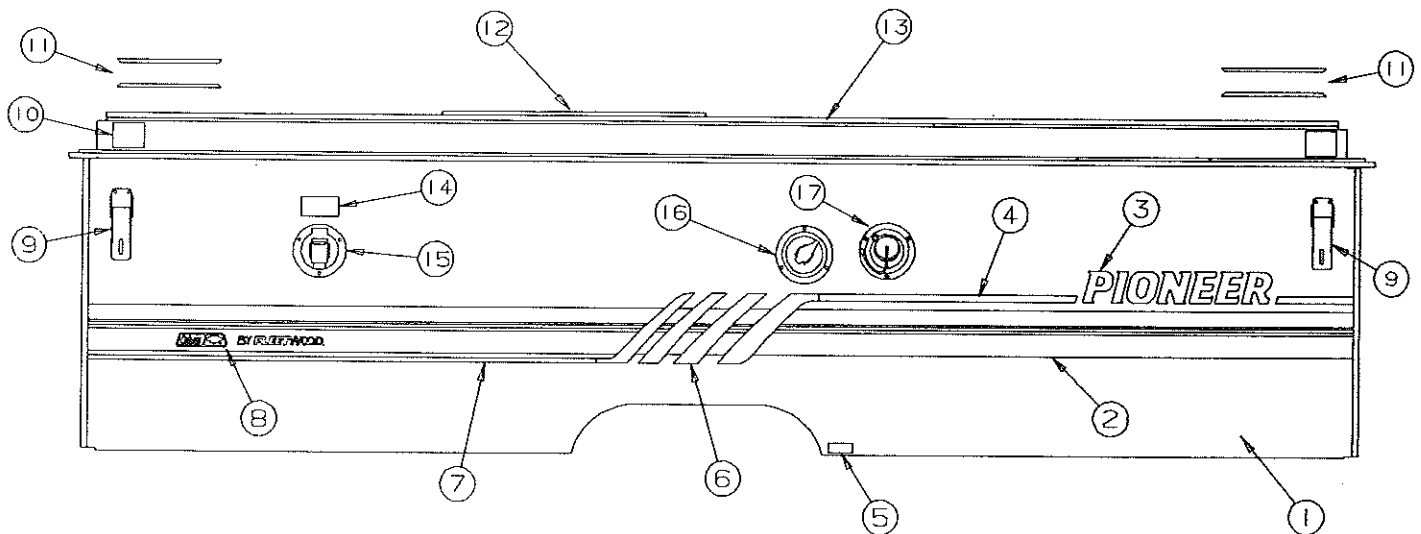


**ACCESS DOOR LIGHT**

- A 4737B5901 Light assembly
- B 4714A0951 Light lens

**2700 Series Pioneer Body Panel Repair Kit**  
**4716E2101 Right Rear/Right Front/Access Door**  
**Body Panel Trim Tape Repair Kit**

# REPAIR PARTS



## ROADSIDE LEFT BODY PANEL & COMPONENTS

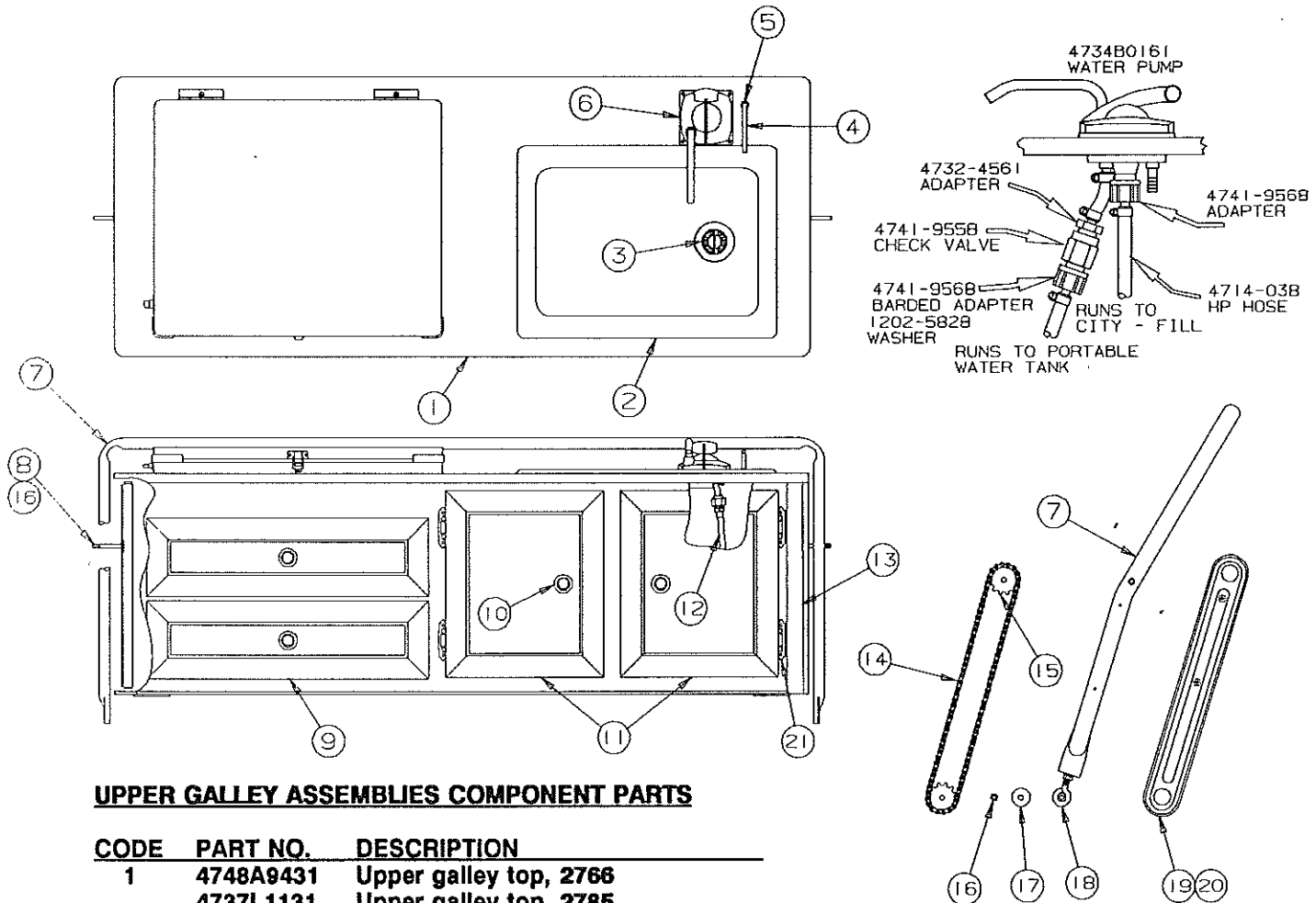
NOTE: All panels are shipped less trim tape & decals.

### 2700 Pioneer Series Body Panel Repair Kit

### 4716E2111 Roadside Body Panel Hardware & Trim Tape Kit

CODE	PART NO.	DESCRIPTION
1	4737H8631	Body panel 2766
	4744H0041	Body panel 2785
	4748A9841	Body panel 2792
	4744H0541	Body panel 2793
	4748B4341	Body panel 2794
	4750-0121	Body panel 2797
2	4350001397F	Trim tape, 11 ft. (all)
3	4746A9808	Pioneer logo
4	4350001395F	Pin stripe "wide" 4 ft. (all)
5	4744B2668	Drain decal
6	4748A8938	Die cut (roadside)
7	4350001396F	Pin stripe "narrow" 6 ft. (all)
8	4749A9408	Coleman/Fleetwood decal
9	4741C6041	Top latch (without lock)
	4749-4848	Foam pad x1
	4741-8218	Hex head tek screw x4
10	4723B8071	Velcro hook patch 2"x2"
11	4737-0738	Bed slide 6 3/16" 2766, 2785
	4730B1211	Bed slide 16 3/16" 2792, 2793, 2794, 2797
12	4737B2211	Drape track 36" (must be cut to size)
13	4739E2688	Body rail, 2766
	4744A044	Body rail, 2785
	4748A435	Body rail, 2792, 2793, 2794, 2797
14	4745A9948	30 AMP decal
15	4733B23361	Cable hatch (power cord)
	4741-3508	Hex head screw x3
16	4732F15281	City fill
	4741-3508	Hex head screw x3
17	4731D1711	Fill spout (2794, 2797 only)
	4741-3508	Hex head screw x3

# 1993 PIONEER SERIES



## UPPER GALLEY ASSEMBLIES COMPONENT PARTS

CODE	PART NO.	DESCRIPTION
1	4748A9431	Upper galley top, 2766
	4737L1131	Upper galley top, 2785
	4748B42681	Upper galley top, 2792
	4750-2701	Upper galley top, 2793
	4748B4261	Upper galley top, 2794
	4750-1211	Upper galley top, 2797
	4716A179	T-molding 3/4" (green)
<b>NOTE: Upper galley tops include T-Molding</b>		
2	4710F0301	Sink (all except 2794 & 2797)
	4745A2801	Sink (2794 & 2797 only)
3	4714B0661	Crumb cup
4	4746-9071	Pump hold down bar & bracket
	4737-8478	Screw x3
5	4742-8701	Flange bushing (plastic) M4
6	4734B0161	Water pump
	4716-081	Screw x4
	4745D2741	Faucet, 2794
	4750-1371	Faucet 2797
7	4750-2811	Galley lift bar, 2766
	4750-2721	Galley lift bar, 2785
	4744D08781	Galley lift bar, 2793
	4750-2691	Galley lift bar, 2792, 2794
8	4748-5151	Upper galley angle x2
	4734E1861	Rivet "elm" M25
9	4750-5761	Drawer assembly 2766, 2785
	4750-5651	Drawer assembly 2792, 2793, 2794
10	4748-3951	Door pull
11	4750-5641	Door panel

12	4730A3431	Gas hose (flexible) (all)
13	4748A8561	Galley corner, M2 (plastic)
14	4744-6321	Galley chain
15	4737A9238	12 tooth sprocket x2
16	1201B6038	Locknut x2
17	1202B2528	Washer x2
18	4744-4451	Eye bolt, M4 (less bushing)
	4744-9211	Bushing, M2
19	4744C08181	Galley chain cover (left)
20	4744C14781	Galley chain cover (right)
	4733C41368	Screw (elm) x2 per cover
21	4745C26188	Hinge (self closing)

## UPPER GALLEY ASSEMBLIES (COMPLETE)

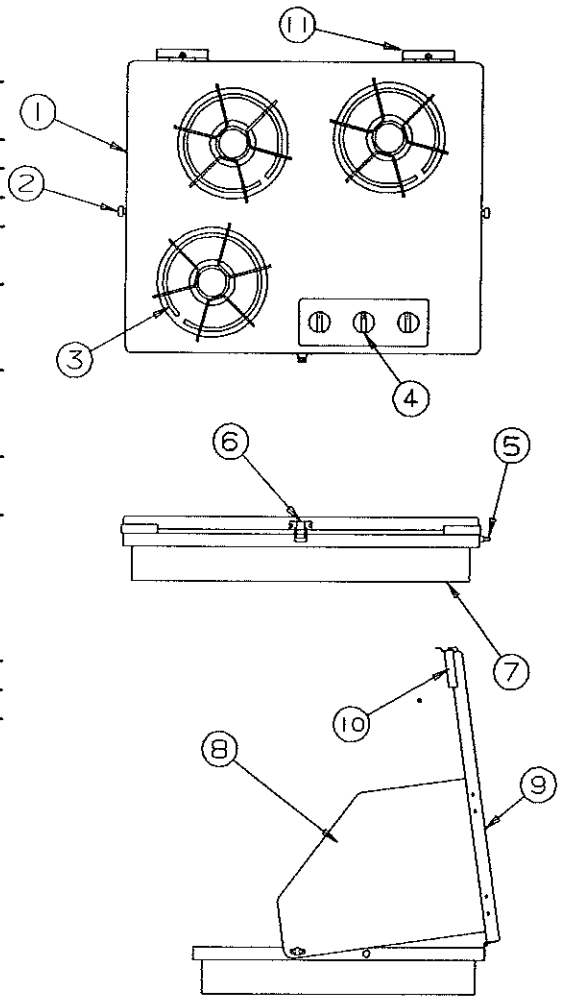
2766	Sedona	4748A6161
2785	Newport	4739K6581
2792	Seneca	4748B52581
2793	Chesapeake	4748A5891
2794	Arcadia	4748B5251



# REPAIR PARTS

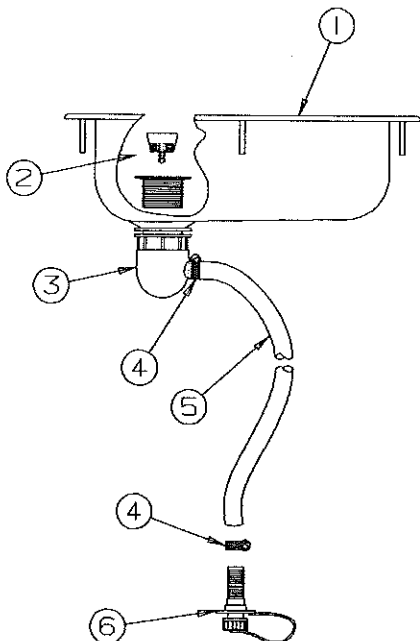
## GALLEY STOVES & COMPONENTS

CODE	PART NO.	DESCRIPTION
1	4744D2381	2 Burner stove top, 2766, 2785
	4744D2401	3 Burner stove top, 2792, 2793, 2794, 2797
2	4716A0881	Thumb screw, M6
3	4716-1851	Grate (all)
4	4716-1861	Knob (all)
5	1226D1538	Stove fin latch
	1203-8678	Rivet x2
6	4733-4018	Latch
	4733B4028	Strike
	1203-8558	Rivet
7	4739E2871	2 Burner stove box, 2766, 2785
	4739G2931	3 Burner stove box, 2792, 2793, 2794, 2797
	<b>NOTE: Stove box includes stove top</b>	
8	4741F4131	Stove fin (all)
	4741A4401	Brite chrome hinge x2
9	4741C6261	Stove cover, 2766
	4750-6771	Stove cover, 2785
	4741E60381	Stove cover, 2792, 2794
	4741F60381	Stove cover, 2793
	4741E6031	Stove cover, 2797
10	4732A2291	Edge molding x2, M2
11	4739A2821	Stove cover hinge x2



TO ORDER SERVICE PARTS FOR WEDGEWOOD STOVE COMPONENTS - PLEASE WRITE OR PHONE:

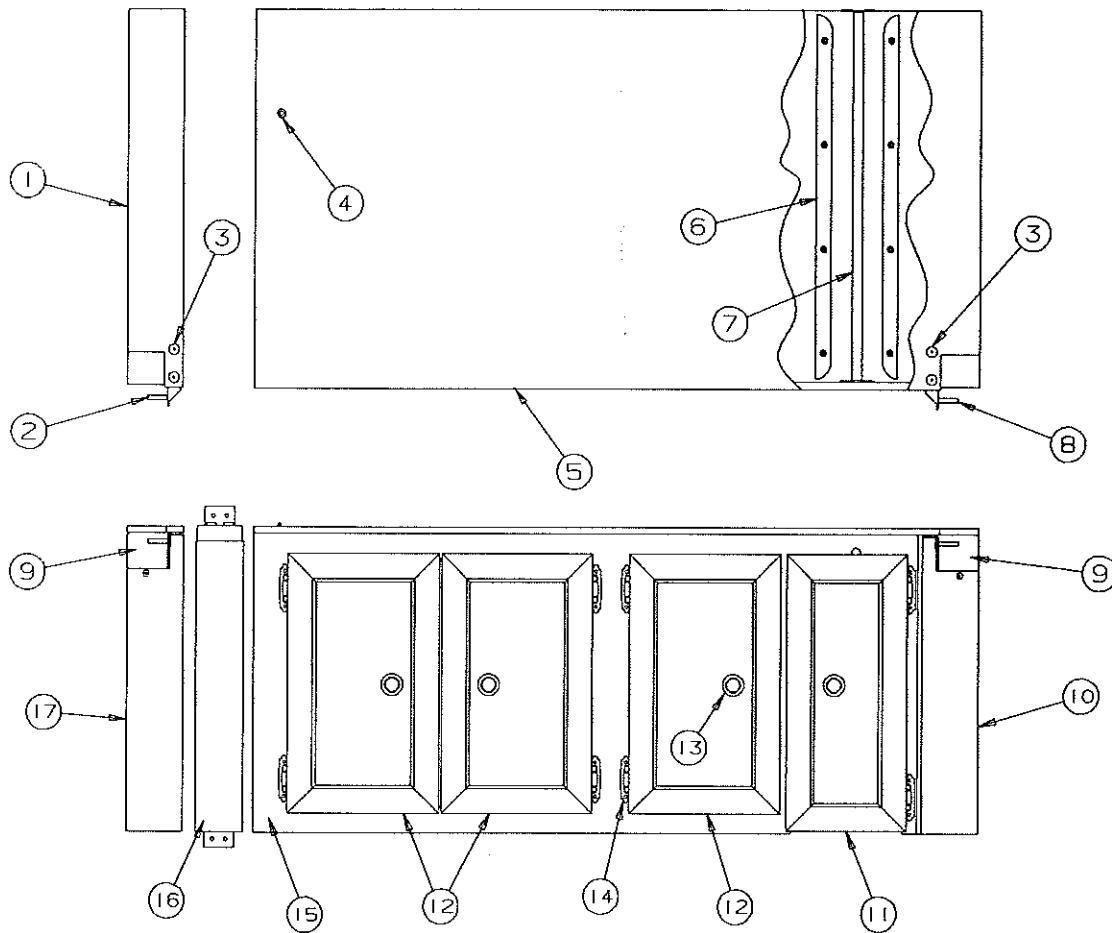
ATTWOOD GREENBRIER OPERATIONS.  
 P. O. BOX 4  
 6320 KELLY WILLIS ROAD  
 GREENBRIER, TN 37073  
 PHONE: 615/643-4556



## SINK & COMPONENT PARTS

CODE	PART NO.	DESCRIPTION
1	4710F0301	Sink, stainless steel
	4745A2801	Sink, (2794, 2797 only)
2	4714B0661	Crumb cup "only"
	4730D3151	Crumb cup & basket
3	4734A0671	Drain trap, M2
4	4744-2678	Hose clamp
5	4742A8781	Drain hose (sold/5 ft lengths)
6	4734C0681	Drain spout, M2
	4714-0021	Cap & strap, M2

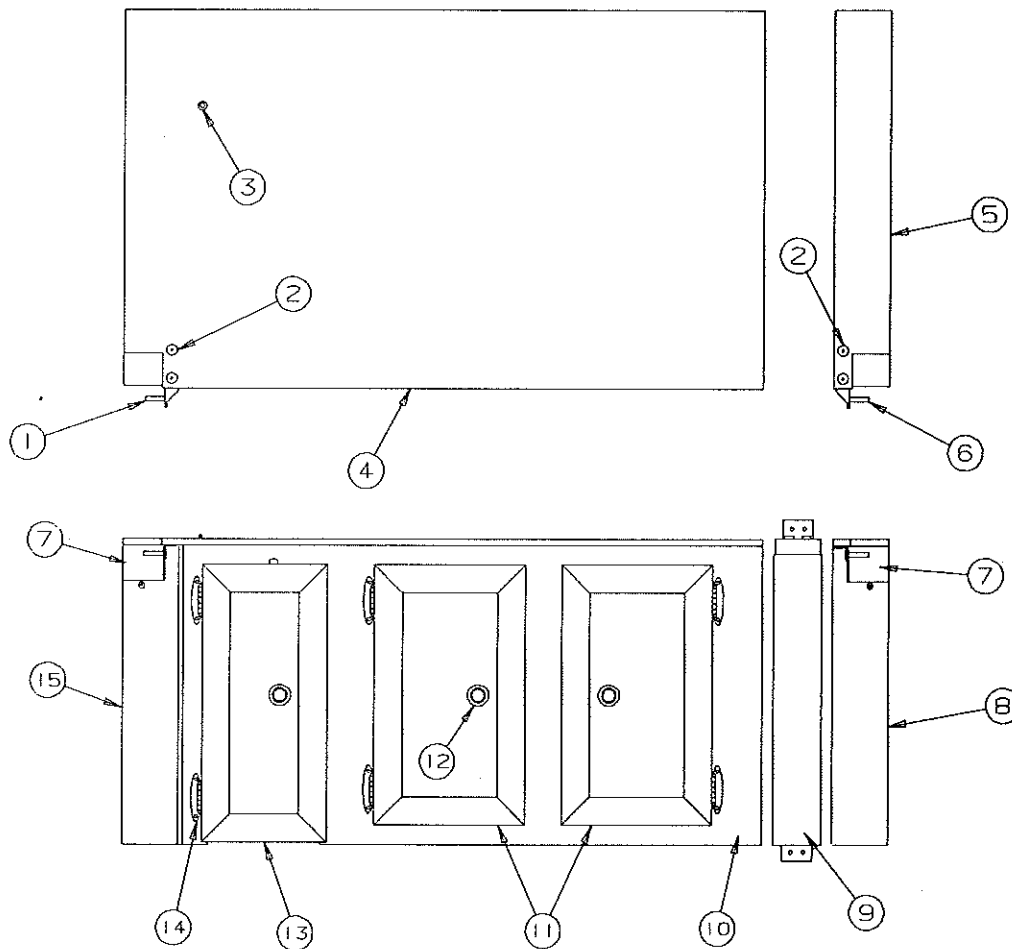
# 1993 PIONEER SERIES



## LOWER GALLEY COMPONENT PARTS - 2766 SEDONA

CODE	PART NO.	DESCRIPTION
1	4750-2781	Lower galley top (small)
2	4744D53381	Lower galley bracket (left)
3	4744B4608	Rivet (elm) x2
4	4746A0971	Kill switch
	4735-2948	Kill switch plate
	4716-075	Screw x2
5	4739J1951	Lower galley top (large)
6	4746A9421	Floor glide (wood) M2
	4716-069	Countersunk screw x4
7	4746-9341	Stove guide (metal)
8	4744D53281	Lower galley bracket (right)
9	4744D08581	Lower galley filler
10	4744E11381	Lower galley spacer (right)
11	4746A5501	Door panel x1
12	4749A6211	Door panel x3
13	4748-3951	Door pull (includes screw)
14	4745C26188	Hinge (spring loaded)
	4749B4118	1/2" screw (2 per hinge)
	4749B4598	3/8" screw (3 per hinge)
15	4744E9841	Lower galley front, 2766
16	4744F55681	Filler assembly
17	4744E11281	Lower galley spacer (left)

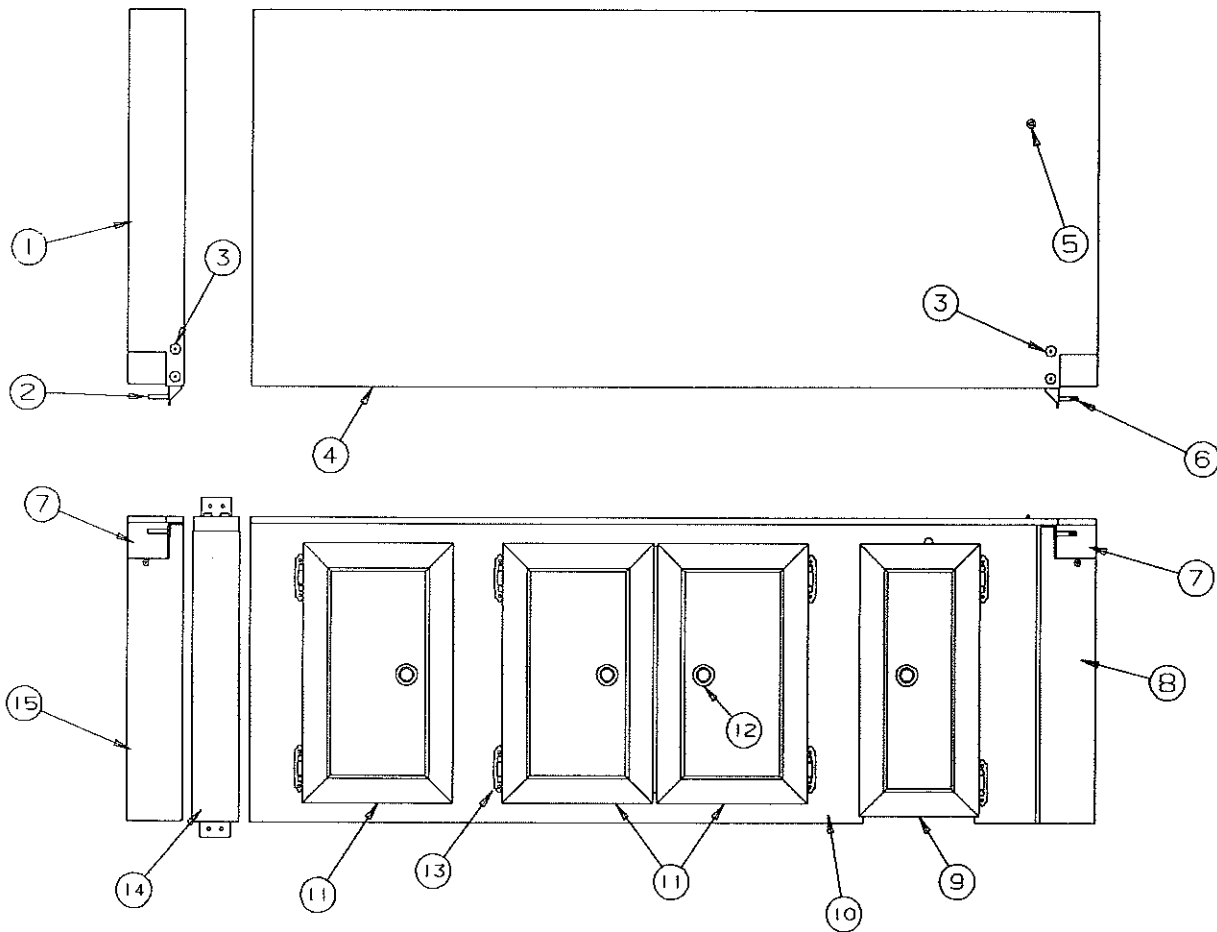
# REPAIR PARTS



## LOWER GALLEY COMPONENT PARTS - 2785 NEWPORT

CODE	PART NO.	DESCRIPTION
1	4744D53381	Lower galley bracket (left)
2	4744B4608	Rivet (elm) x2
3	4746A0971	Kill switch
	4735-2948	Kill switch plate
	4716-075	Screw x2
4	4744E3621	Lower galley top (large)
5	4749A38381	Lower galley top (small)
6	4744D53281	Lower galley bracket (right)
7	4744D08581	Lower galley filler
8	4744E11381	Lower galley spacer (right)
9	4744F55681	Filler assembly
10	4744E9791	Lower galley front, 2785
11	4749A6211	Door panel x2
12	4748-3951	Door pull (includes screw)
13	4746A5501	Door panel
14	4745C26188	Hinge (spring loaded)
	<b>NOTE: Refer to opposite page for hinge, screws</b>	
15	4744E11281	Lower galley spacer (left)

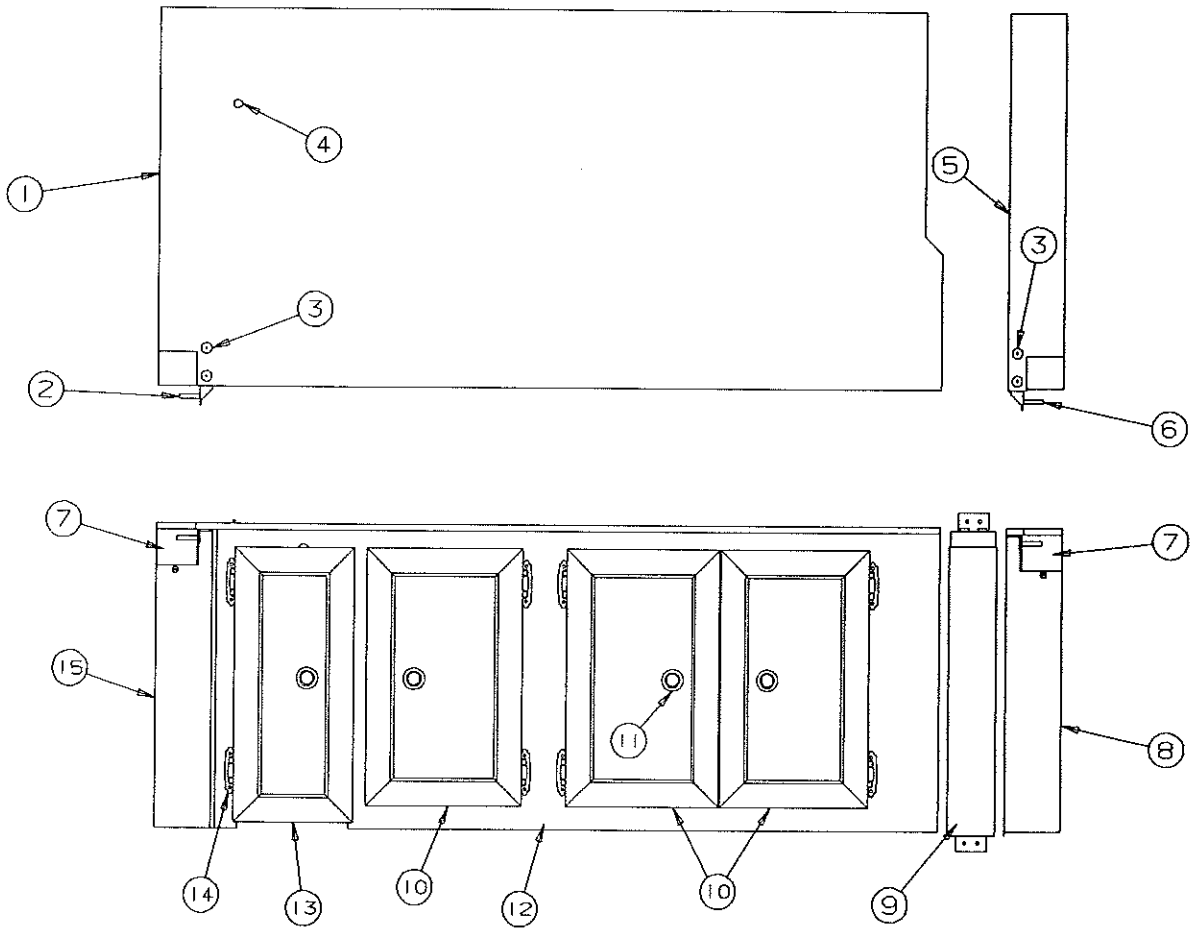
# 1993 PIONEER SERIES



## **LOWER GALLEY COMPONENT PARTS - 2792 SENECA, 2794 ARCADIA**

<b>CODE</b>	<b>PART NO.</b>	<b>DESCRIPTION</b>
1	4750-2781	Lower galley top (small)
2	4744D53381	Lower galley bracket (left)
3	4744B4608	Rivet (elm) x2
4	4748B4451	Lower galley top (large)
5	4746A0971	Kill switch
	4735-2948	Kill switch plate
	4716-075	Screw x2
6	4744D53281	Lower galley bracket (right)
7	4744D08581	Lower galley filler
8	4744E11381	Lower galley spacer (right)
9	4746A5501	Door panel x1
10	4748C4441	Lower galley front 2792, 2794
11	4749A6211	Door panel x3
12	4748-3951	Door pull (includes screw)
13	4745C26188	Hinge (spring loaded)
	4749B4118	1/2" screw (2 per hinge)
	4749B4598	3/8" screw (3 per hinge)
14	4744F55681	Filler assembly
15	4744E11281	Lower galley spacer (left)

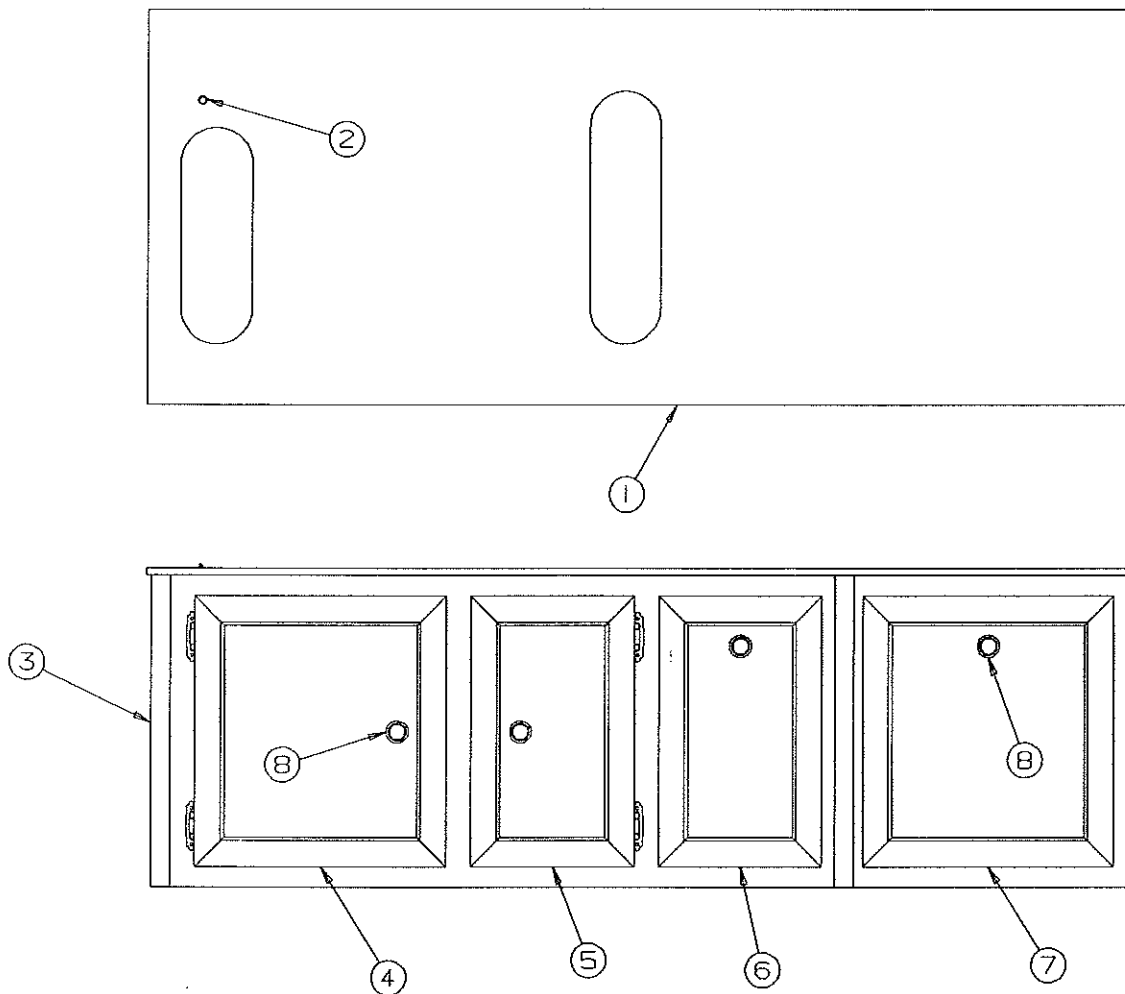
# REPAIR PARTS



## **LOWER GALLEY COMPONENT PARTS - 2793 CHESAPEAKE**

<b>CODE</b>	<b>PART NO.</b>	<b>DESCRIPTION</b>
1	4739K0121	Lower galley top (large)
2	4744D53381	Lower galley bracket (left)
3	4744B4608	Rivet (elm) x2
4	4746A0971	Kill switch
	4735-2948	Kill switch plate
	4716-075	Screw x2
5	4749A38381	Lower galley top (small)
6	4744D53281	Lower galley bracket (right)
7	4744D08581	Lower galley filler
8	4744E11381	Lower galley spacer (right)
9	4744F55681	Filler assembly
10	4749A6211	Door panel x3
11	4748-3951	Door pull (includes screw)
12	4744D9651	Lower galley front
13	4746A5501	Door panel x1
14	4745C26188	Hinge (spring loaded)
	<b>NOTE: Refer to opposite page for hinge &amp; screws</b>	
15	4744E11281	Lower galley spacer (left)

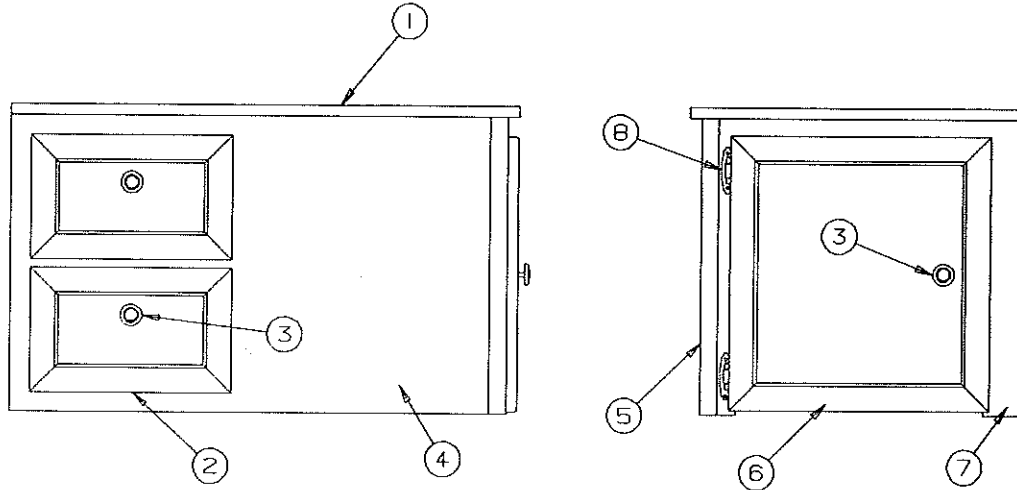
# 1993 PIONEER SERIES



## **LOWER GALLEY COMPONENT PARTS - 2797 EVERGREEN**

<b>CODE</b>	<b>PART NO.</b>	<b>DESCRIPTION</b>
1	4750-0821	Lower galley top 2797
2	4746A0971	Kill switch
3	4748-8661	Corner molding M2 (plastic)
4	4750-5231	Door assembly
5	4750-5241	Door assembly
6	4750-5211	Drawer assembly
7	4750-5221	Drawer assembly
8	4748-3951	Door pull

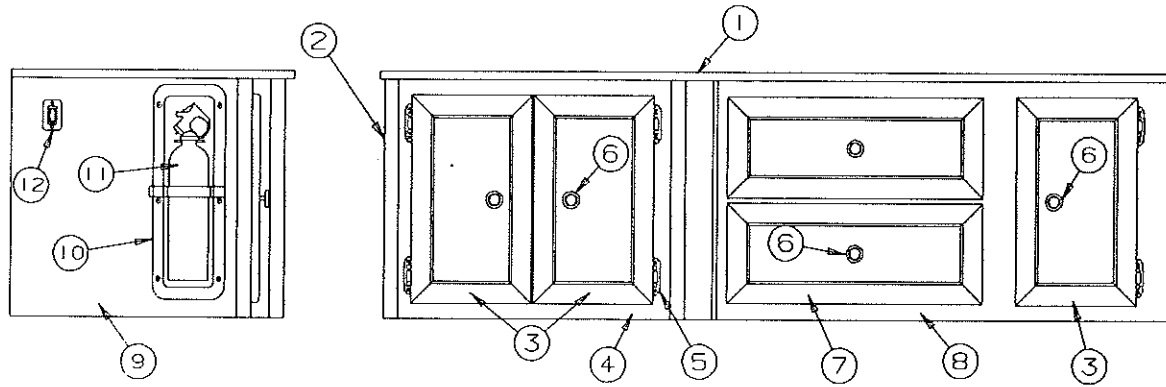
# REPAIR PARTS



**2766**            **STORAGE CABINET (4748A615)**  
**2792, 2793**    **STORAGE CABINET (4748A590)**  
**2785**            **STORAGE CABINET (4746-554)**

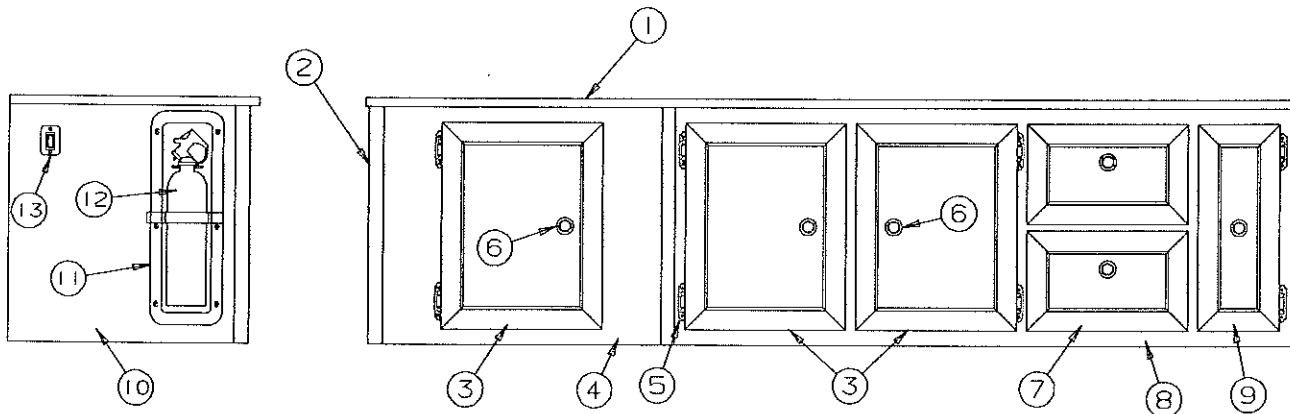
CODE	PART NO.	DESCRIPTION
1	4748-9311	Cabinet top, 2766
	4742-8351	Cabinet top, 2785
	4748-8541	Cabinet top, 2792, 2793
2	4749B6111	Drawer assembly x2, 2792, 2793
3	4748-3951	Door pull (includes screws)
4	4748-929	Cabinet side 2766
	4748-834	Cabinet side 2785
	4748-852	Cabinet side 2792, 2793
5	4748-8661	Cabinet corner, M2
6	4748-5971	Door panel (all)
7	4748A930	Cabinet front, 2766
	4748A853	Cabinet front, 2792, 2793
	4748-8538	Cabinet front, 2785
8	4745C26188	Hinge (self closing)

# 1993 PIONEER SERIES



## 2785 NEWPORT HUTCH ASSEMBLY (4749C535)

CODE	PART NO.	DESCRIPTION
1	4749A0841	Hutch top
2	4748-8661	Hutch corner M2 (plastic)
3	4749A6211	Door panel, x2
4	4748-933	Hutch front
5	4745C26188	Hinge, (self closing)
6	4748-3951	Door pull
7	4749B6371	Drawer assembly
8	4742-996	Hutch front
9	4744D19081	Hutch side
10	4737B4198	Recessed mount
11	4737A5558	Fire extinguisher
12	4733A4981	Switch

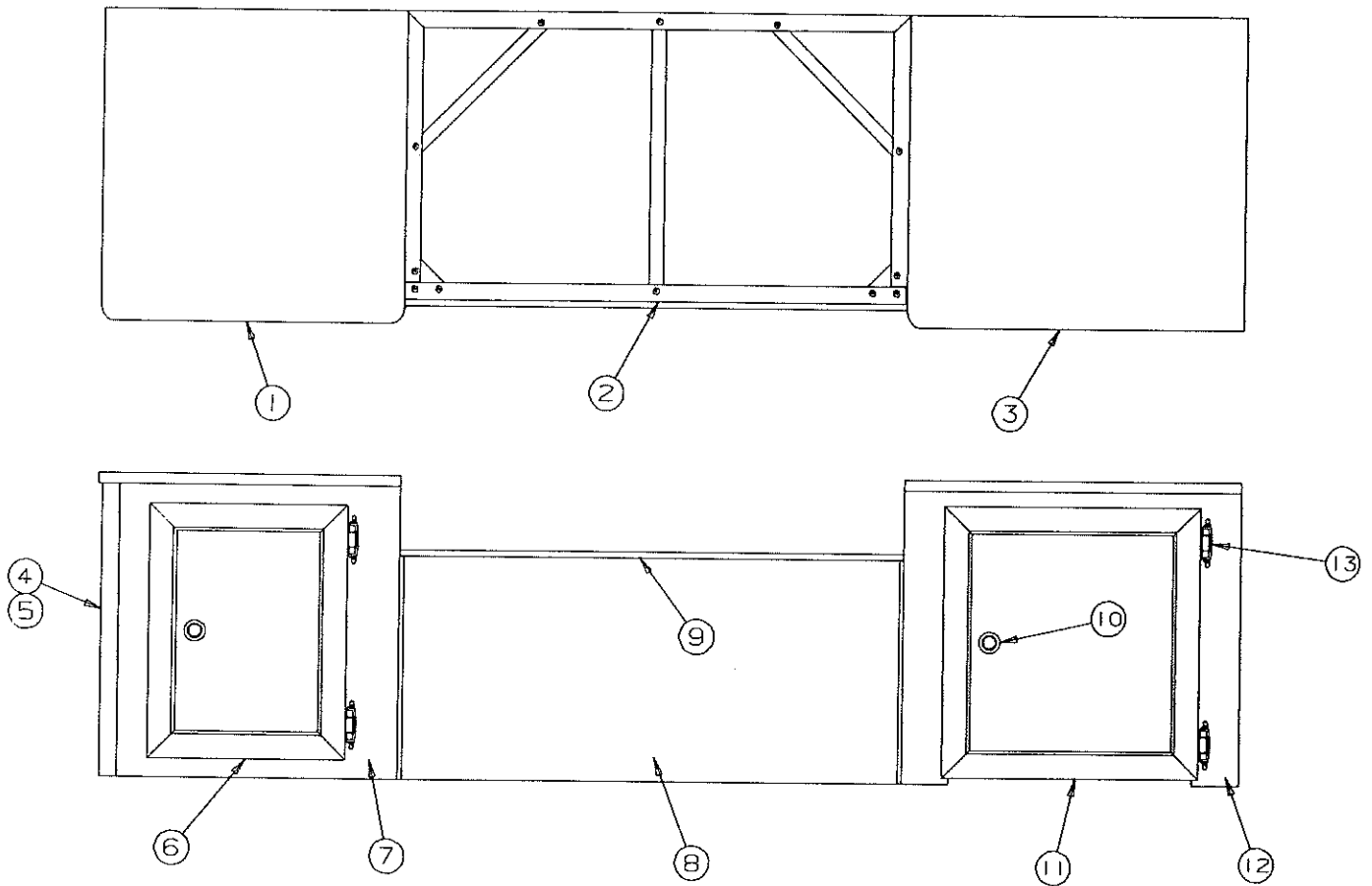


## 2793 CHESAPEAKE HUTCH ASSEMBLY (4744F580)

CODE	PART NO.	DESCRIPTION
1	4744F18381	Hutch top
2	4748-8661	Hutch corner M2 (plastic)
3	4739J5321	Door panel x3
4	4748-844	Hutch front
5	4745C26188	Hinge, (self closing)
6	4748-3951	Door pull (includes screw)
7	4749B6111	Drawer assembly
8	4744E1868	Hutch front
9	4748-5911	Door panel
10	4744D19081	Hutch side
11	4737B4198	Recessed mount
12	4737A5558	Fire extinguisher
13	4733A4981	Switch



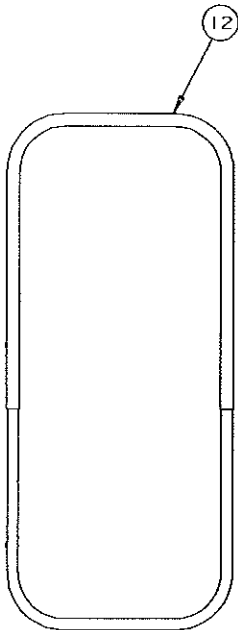
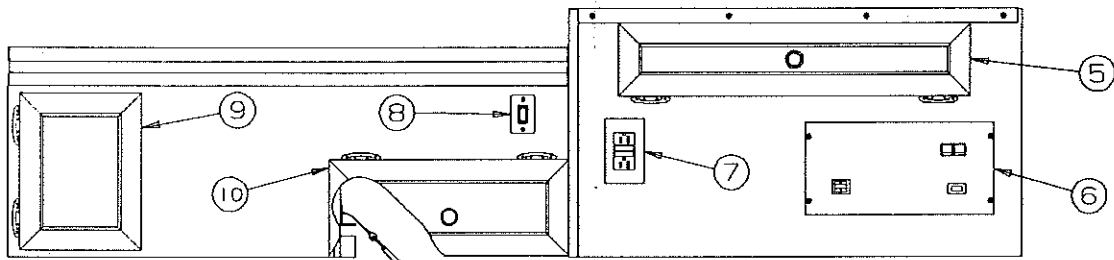
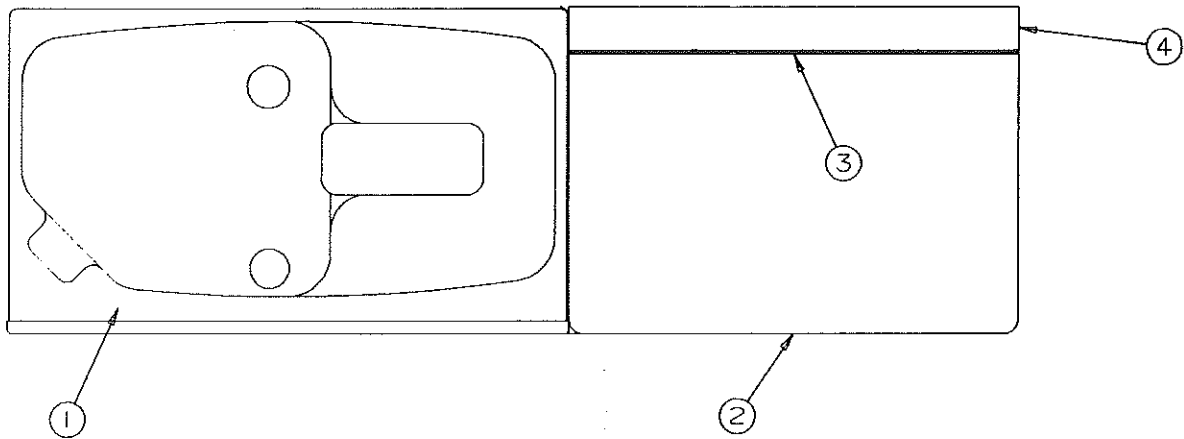
# REPAIR PARTS



## **HUTCH/SEAT ASSEMBLY 2794 ARCADIA (4748B529)**

<b>CODE</b>	<b>PART NO.</b>	<b>DESCRIPTION</b>
1	4748B4161	Hutch top (left)
2	4716-2741	Seat frame assembly
3	4748-8011	Hutch top (right)
4	4748-8661	Hutch corner (plastic) M2
5	4748A4181	Hutch side panel
6	4739J5321	Door panel
7	4748B414	Hutch front
8	4748C413	Seat front
9	4716-4031	U-Channel "Elm" 48" pc.
10	4748-3951	Door pull (includes screw)
11	4748-5971	Door panel
12	4750-282	Hutch front
13	4745C26188	Hinge (spring loaded)

# 1993 PIONEER SERIES



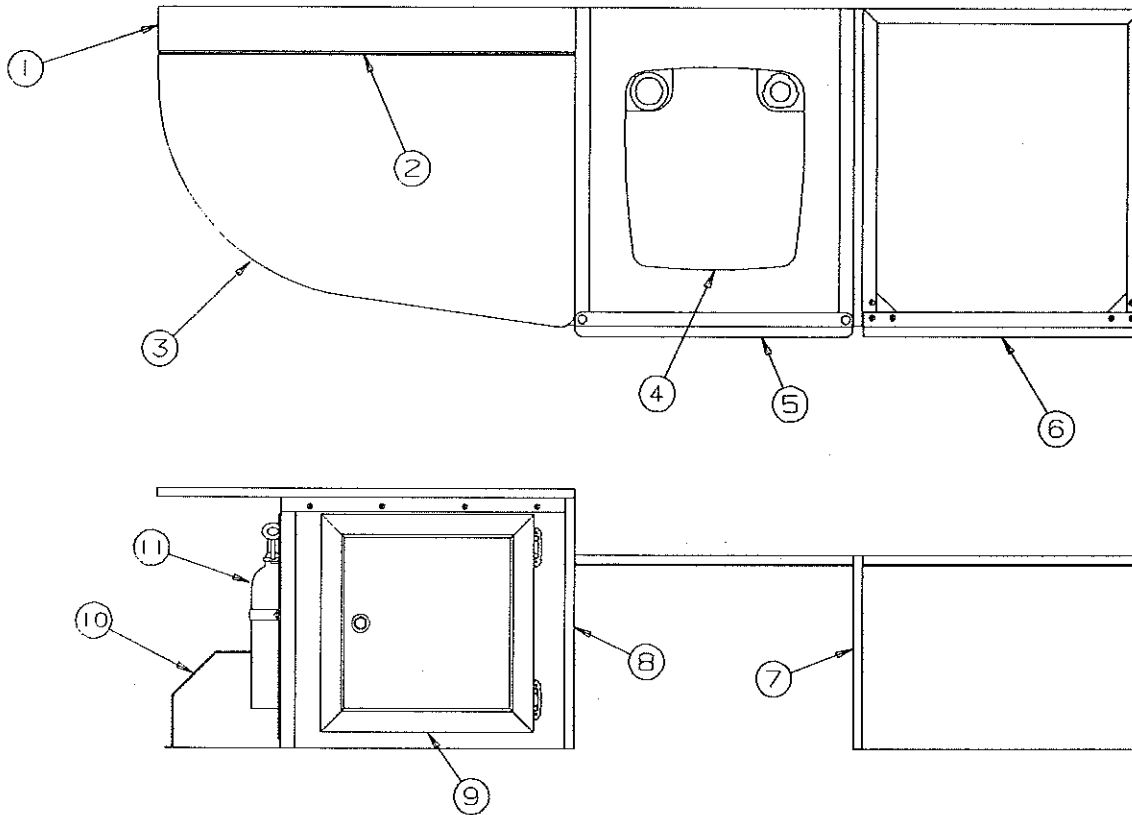
## **BATH TUB & CONVERTER ASSEMBLY, 2797 - EVERGREEN**

CODE	PART NO.	DESCRIPTION
1	4750-1641	Bath tub, 2797
	4750-1621	Shower diverter (not shown)
2	4750-1361	Converter cabinet top (large)
3	4750-1341	Hinge (plastic)
4	4750-1351	Converter cabinet top (small)
5	4750-5251	Door panel
6	4750-1111	Converter 15 AMP
	4744-3101	Power cord 28ft (not shown)
	4714-3411	Fuse cap, M4 (not shown)
7	4746A3841	Ground fault receptacle w/cover
	4746A3851	Receptacle box
8	4733A4981	Rocker switch
	4738-3088	Screw x2
9	4750-5391	Door panel
10	4750-5401	Door panel
11	4750-5421	Stove stop pin assembly
12	4750-5351	Shower curtain rod assembly
13	4749-8661	Shower curtain (not shown)
	4748-8161	Shower curtain clips, M10

## **TUB CUSHION & BACKREST ASSEMBLY 2797, EVERGREEN**

TUB CUSHION ASSEMBLY	TUB CUSHION COVER	TUB BACKREST ASSEMBLY	TUB BACKREST COVER
4750A5271	4714A5271	4750A5291	4714A5291

# REPAIR PARTS



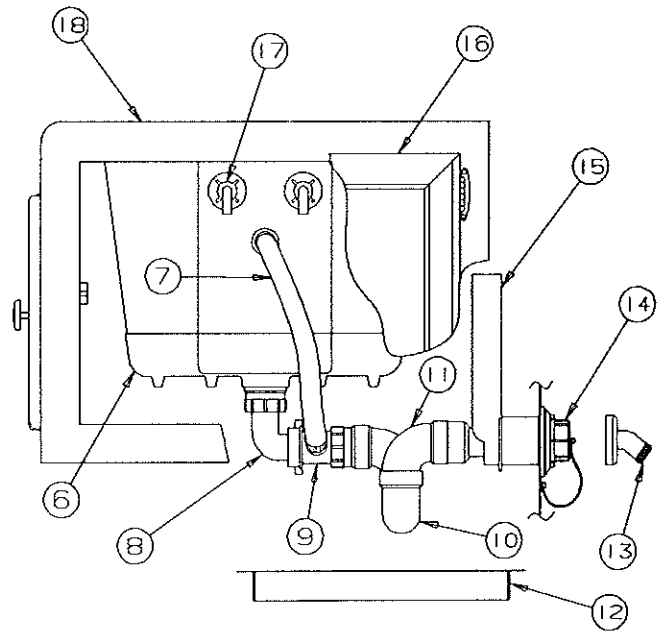
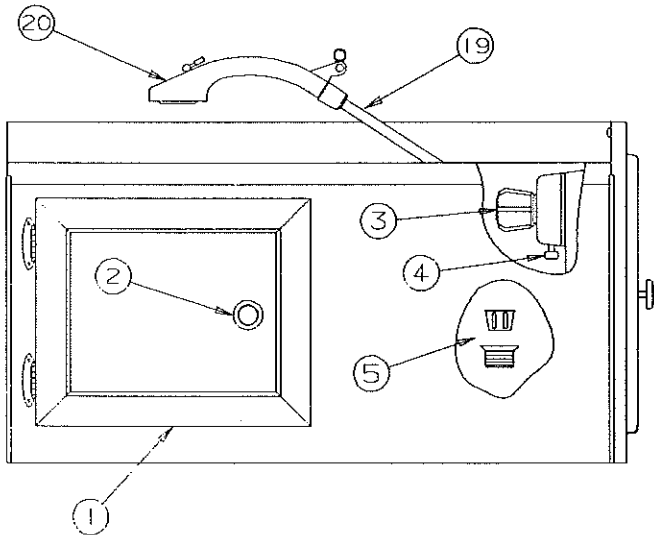
## **CURBSIDE CABINET & SEAT BENCH, 2797 EVERGREEN**

CODE	PART NO.	DESCRIPTION
1	4750-0331	Hutch top small
2	4750-0341	Hinge (plastic)
3	4750-0291	Hutch top
4	4750-1478	Porta-potti
5	4750-511	Table rest w/pins
6	4750-509	Seat assembly
7	4750-036	Seat end
8	4750-035	Seat gazoodi
9	4750-5141	Door assembly
10	4750-028	Wheel well cover
	4748A804	Wood front
11	4737A5558	Fire extinguisher
	4737B4198	Recessed mount
	4738-3088	Screw x6

## **CUSHION & BACKREST ASSEMBLY - 2797 EVERGREEN**

CUSHION ASSEMBLY	CUSHION COVER	BACKREST ASSEMBLY	BACKREST COVER
4750A5281	4714A5281	4750A5291	4714A5291
x2			

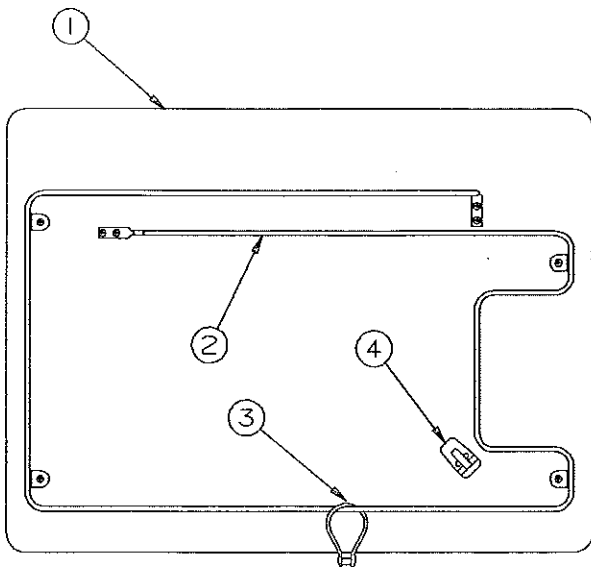
# 1993 PIONEER SERIES



## 2794 ARCADIA SHOWER CABINET (4748B547)

CODE	PART NO.	DESCRIPTION
1	4744F57281	Door panel (less hardware)
	4741A4241	Toilet tissue holder
2	4748-3951	Door pull
3	4741B2071	Shower diverter
4	4716-0848	Shower hose connector
5	4746A1821	Basket & strainer
6	4741A2221	Bath tub
7	4060087538	Flexible tubing
8	4750-3081	Direct connect 3" long
9	4750-3091	Tail piece w/slipnut
10	4750-3051	"P" trap
11	4750-3101	90° Elbow 1 1/2"
12	4750-3061	Access plate
	4744A050	Tek screw
	4350000022F	Foam tape

13	4737-9138	Drain adapter
14	4714A2861	Cap & strap package
	4749-4131	Tube drain gasket
15	4741B9301	Vent system
16	4748A5461	Door panel (less hardware)
17	4741-2351	Swivel street elbow
18	4741E17981	Tub front
	4716A178	T-Molding 3/4" (elm)
	4350000295F	Double stick tape
19	4741B2051	Shower hose
20	4746A3761	Shower head w/bracket



## SHOWER CURTAIN ROD ASSY (4748A5411)

CODE	PART NO.	DESCRIPTION
1	4748A4611	Back board (green glaze)
	4716A179	T-Molding 3/4" (green)
2	4748B4591	Shower curtain rod assy.
	4737-8478	Screw x8
3	4748-8161	Shower curtain clips, M10
	4749-6661	Shower curtain (not shown)
4	4750-1761	Shower head bracket
5	4749-7981	Dressing room curtain 2794 only

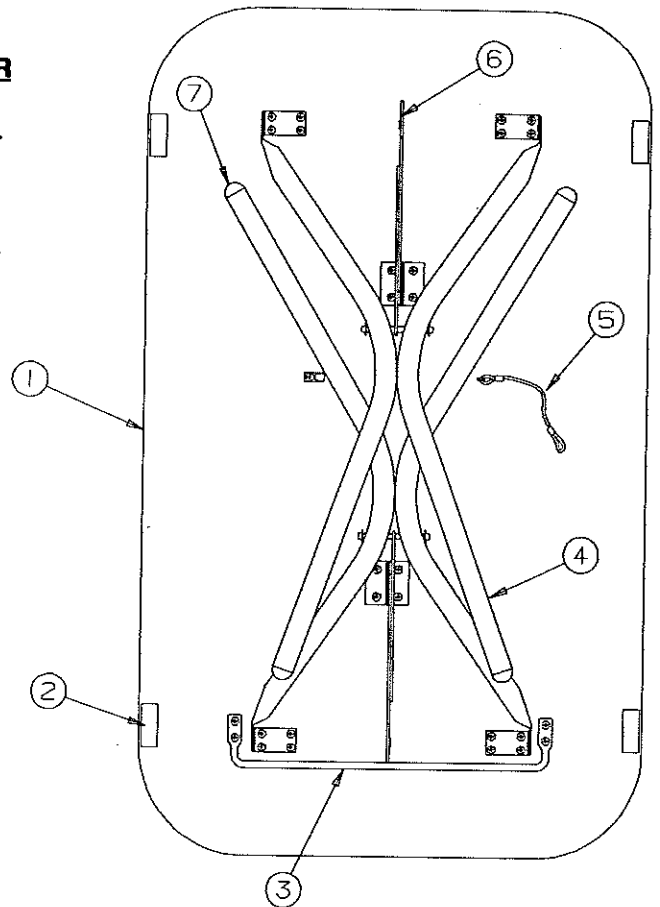
# REPAIR PARTS

## DINETTE TABLE ASSEMBLY - 2700 SERIES PIONEER

CODE	PART NO.	DESCRIPTION
1	4737G1511	Table top, 2766
	4749A10181	Table top, 2785
	4744B45281	Table top, 2792,93,94
	4716A179	T-molding (green)
2	4724D2631	Velcro hook x4
	4724E2631	Velcro loop x4, M4
3	4734D0841	Towel bar
	4737-8488	Screw x4
4	4745A52781	Table leg, M2
5	4720B5951	Table strap, M4
6	4720A1501	Lock brace pkg.
	4737-8488	Screw
7	4720C3928	Table leg cap

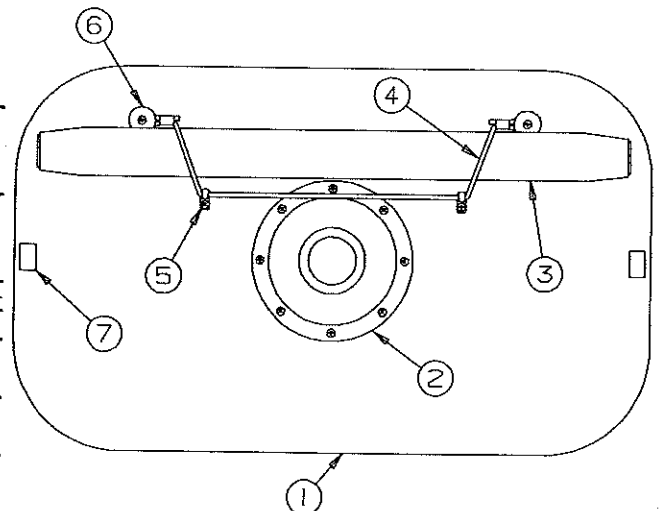
### TABLE TOP DIMENSIONS

4737G1511	39 3/8 x 30
4749A10181	39 3/8 x 23 1/2
4744B45281	39 5/8 x 30



## PEDESTAL TABLE ASSEMBLY, 2792, 2797

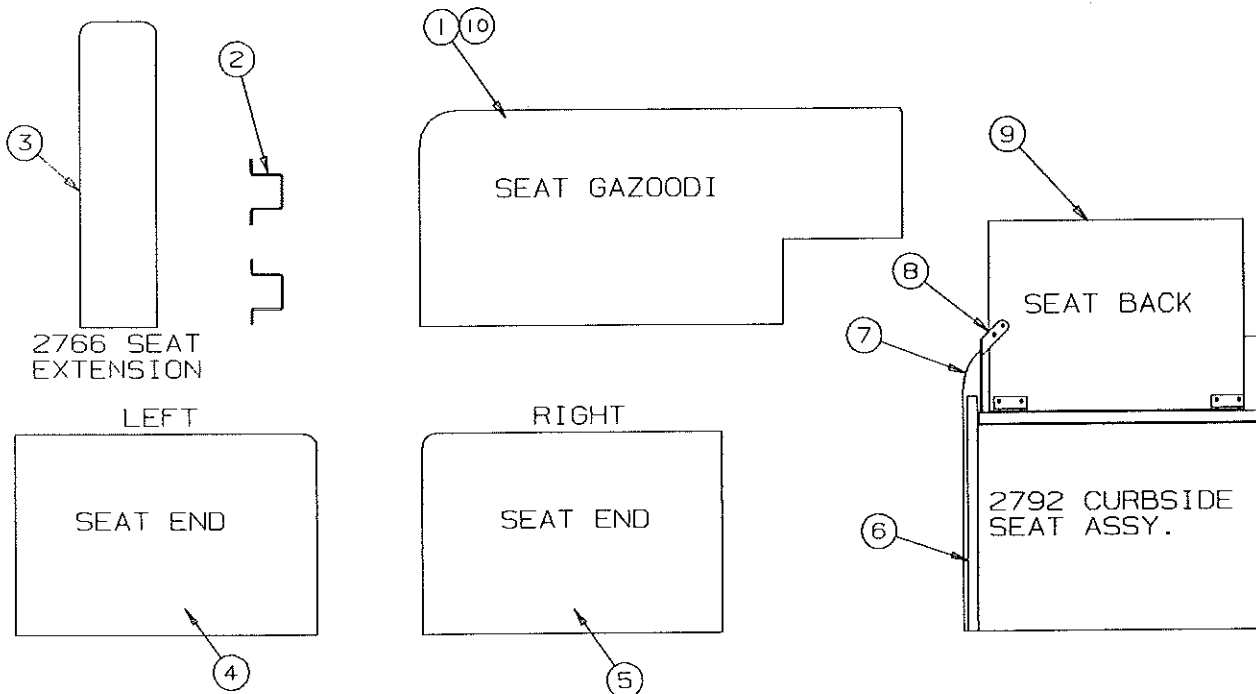
CODE	PART NO.	DESCRIPTION
1	4746-8141	Table top, 2792 - 27 3/4 x 17 7/8
	4750-0401	Table top, 2797 - 39 1/8 x 29 7/8
	4716A179	T-molding (green)
2	4746-8211	Standard base
	1114B1018	Countersunk screw x8
	4746-8191	Recessed mount (located on floor)
3	4746-8201	Pedestal leg
4	4716-0891	Shock cord assy.
5	4720D4021	Lashing hook, M6
	4737-8488	Screw x2
6	1202B2528	Washer x2
	4737-8488	Screw x2
7	4724D2631	Velcro hook x2
	4724E2631	Velcro loop x2, M4



# 1993 PIONEER SERIES

## PIONEER SERIES SEAT FRAME ASSEMBLIES

Model	Part No.	& Side	Part No.	& Side
2766 Sedona	4741G573	- Curbside	4733K5828	- Roadside
2785 Newport	4749A5416	- Left	4749C542	- Right
2792 Seneca	4748A538	- Roadside Left	4748A540	- Roadside Right
	4748-630	- Curbside Right	4748-631	- Curbside Left
2793 Chesapeake	4744F5478	- Left	4744H5468	- Right
2794 Arcadia	4748A538	- Left	4748A540	- Right



Code	Part No.	Description
1	4744F19381	Seat gazoodi, 2785, 2793
	4748A4461	Seat gazoodi, 2792, 2794
2	4746A02481	Cushion bumper
3	4739F2151	Seat extension top (2766 only)
4,5	4749B0961	Seat end, 2785 (left & right)
	4748A4601	Seat end, 2792, 2794 (left & right)
	4744B97081	Seat end, 2793 (left & right)
6	4746-8091	Seat end, 2792 (right & left)
7	4746-8081	Seat end, 2792
8	4748-9971	Support arm 2792
9	4748-996	Backrest support 2792
	4734-3701	Hinge
10	4716A178	T-Molding 3/4" "elm"
11	4746-8121	Wheel well cover (metal) 2792 (curbside)
	4746-8131	Wood 2792
12	4748A8031	Wheel well cover (metal) 2792, 94 (roadside)
	4748A8041	Wood 2792, 2794

# REPAIR PARTS

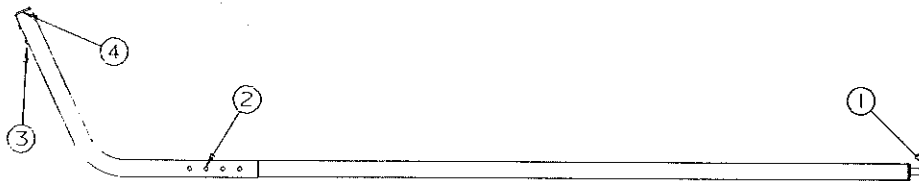
## CUSHION AND BACKREST ASSEMBLIES

Model	Cushion		Backrest	
	Assembly	Cover	Assembly	Cover
2766 Sedona	4744G6021	4716G6021	4744G6051	4716G6051
2785 Newport	4749D5441	4716D5441	4749D5451	4716D5451
2792 Seneca (long)	4748A6291	4716A6291	4748A6201	4716A6201
2792 Seneca (small)	4748A6271	4716A6271	4748A6281	4716A6281
2793 Chesapeake	4744G6261	4716G6261	4744G6051	4716G6051
2794 Arcadia	4748A6291	4716A6291	4748A6201	4716A6201
2794 Arcadia	4748C5501	4716C5501	NOT AVAILABLE	
2797 Evergreen	Note: See Page 25 for cushion & backrest assembly			
2797 Evergreen	Note: See Page 24 for tub cushion & backrest assembly			

## TENT SUPPORT ASSEMBLIES (COMPLETE)

MODEL	FRONT BED	REAR BED	CODE	PART NO.	DESCRIPTION
2766	4737F5431	4748-6031	1	8470-1728	Pole pin, blue, x1
2785	4741D5591	4741D5591	2	4734-6708	Spring assy x1
2792,93,94,97	4741E5581	4741D5591	3	4734A6708	Spring assy x1
			4	4730B4648	Tube closure x1
				4733-4118	Tek screw x1

### COMPONENT PARTS:



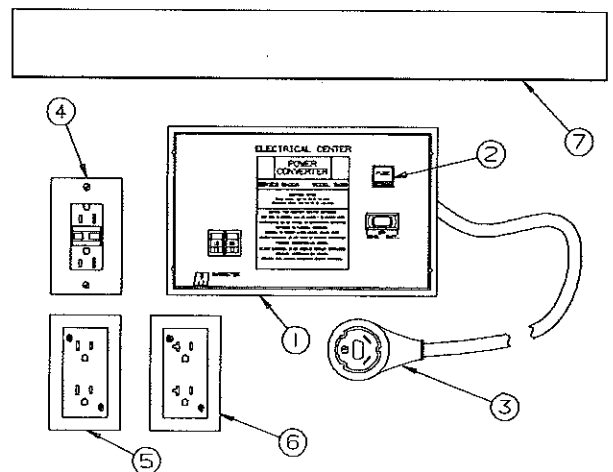
To order service parts for converters please write or phone:

Customer Service Department  
MAGNETEK INC.  
721 North Webster Street  
Kokomo, IN 46901

Phone: 317/452-5444

## CONVERTER AND RELATED PARTS:

CODE	PART NO.	DESCRIPTION
1	4742-9811	Converter 9 AMP, (w/out receptacle)
	4750-1111	Converter 15 AMP, (w/out receptacle)
	4744A4751	Converter 9 AMP, (w/receptacle)
	4745A1571	Converter 15 AMP, (w/receptacle)
2	4714-3411	Fuse cap, M4
3	4744-3101	Power cord, 30 ft.
4	4746B3841	Ground fault receptacle with cover
	4746A3851	Receptacle box
5	4710B3551	Receptacle with cover (brown) 15 AMP
6	4744-3081	Receptacle with cover (brown) 20 AMP
	4746-8981	Receptacle with cover (white) 20 AMP
	4746A3851	Receptacle box
7	4744F02381	Converter cabinet top (all except 2785)
	4749B10481	Converter cabinet top (2785 only)



# 1993 PIONEER SERIES

**DRAPES WITH/SLIDE TABS (OLD STYLE)**  
**TRAILERS PRODUCED BEFORE AUGUST 18, 1992**

Pioneer Series	Drape Drape Pkg	No. of Panels	Color
2766 Sedona	4724R6331	4	Green
2785 Newport	4724E7961	4	Green
2792 Seneca	4723F7781	5	Green
2793 Chesapeake	4723F7781	5	Green
2794 Arcadia	4723F7781	5	Green
2797 Evergreen	4723F7781	5	Green

**DRAPES WITH/C-CLIPS (NEW STYLE)**  
**TRAILERS PRODUCED AFTER AUGUST 18, 1992**

Pioneer Series	Drape Drape Pkg	No. of Panels	Color
2766 Sedona	4724T6331	4	Green
2785 Newport	4724F7961	4	Green
2792 Seneca	4723G7781	5	Green
2793 Chesapeake	4723G7781	5	Green
2794 Arcadia	4723G7781	5	Green
2797 Evergreen	4723G7781	5	Green

**Component Parts**

4725A1981 Plastic drape tab, M100 (old style)  
 4750-2891 Drape Tab C-Shape M60 (new style)

**DRAPE TIE PKG (Qty 1)**

4716-1141 Curtain tie, (all)

**SINGLE DRAPE PANEL W/SAFETY STRAP**

4716C0421 Green w/slide tabs (all) (old style)  
 4716D0421 Green w/c-clips (all) (new style)

**VALANCE PACKAGE WITH SLIDE TABS (OLD STYLE)**

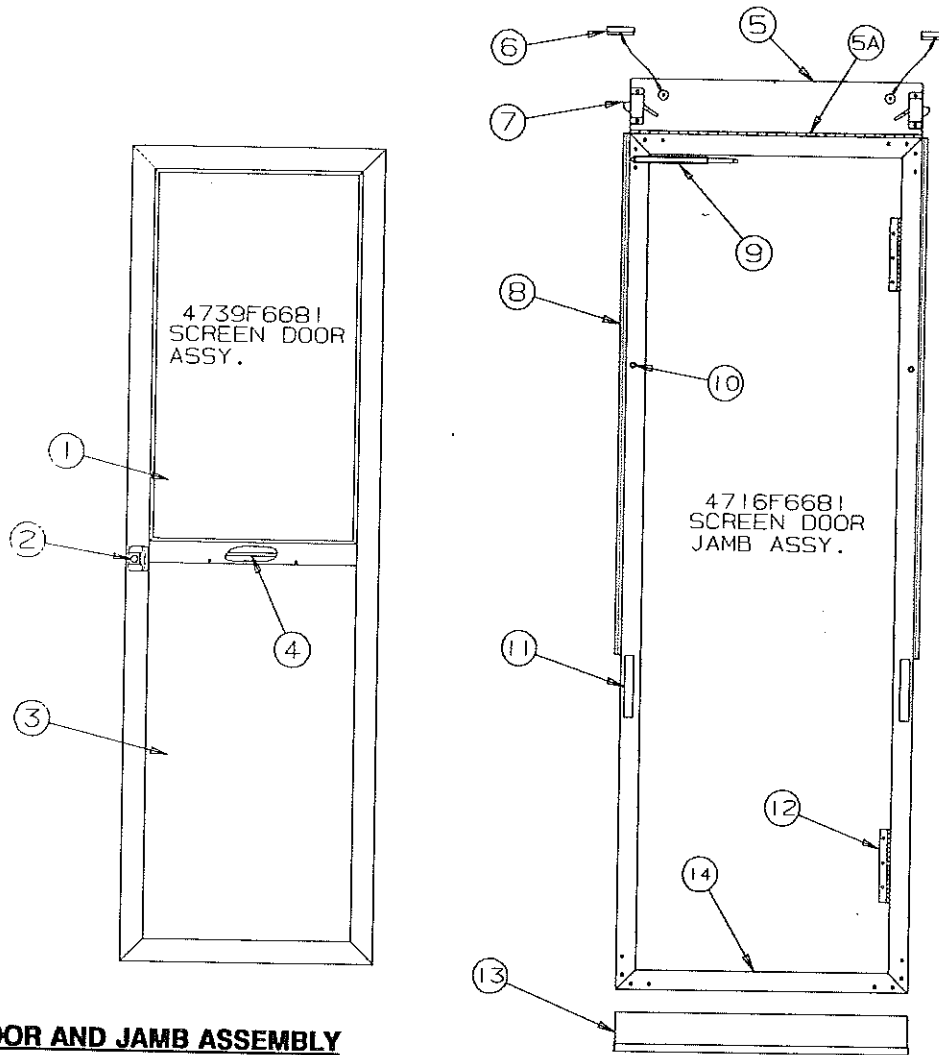
2766 4716-8511  
 2785 4716A8521  
 2792 4716-8531  
 2793 4716-8531  
 2794 4716-8531  
 2797 4716-8531

**VALANCE PACKAGE WITH C-CLIPS (NEW STYLE)**

2766 4716A8511  
 2785 4716B8521  
 2792 4716A8531  
 2793 4716A8531  
 2794 4716A8531  
 2797 4716A8531



# REPAIR PARTS



## SCREEN DOOR AND JAMB ASSEMBLY

4739F6681 Screen door assembly (all except 2797)  
 4716F6681 Screen door jamb assembly (all except 2797)

4750-5171 Screen door & jamb assembly (complete) 2797 only

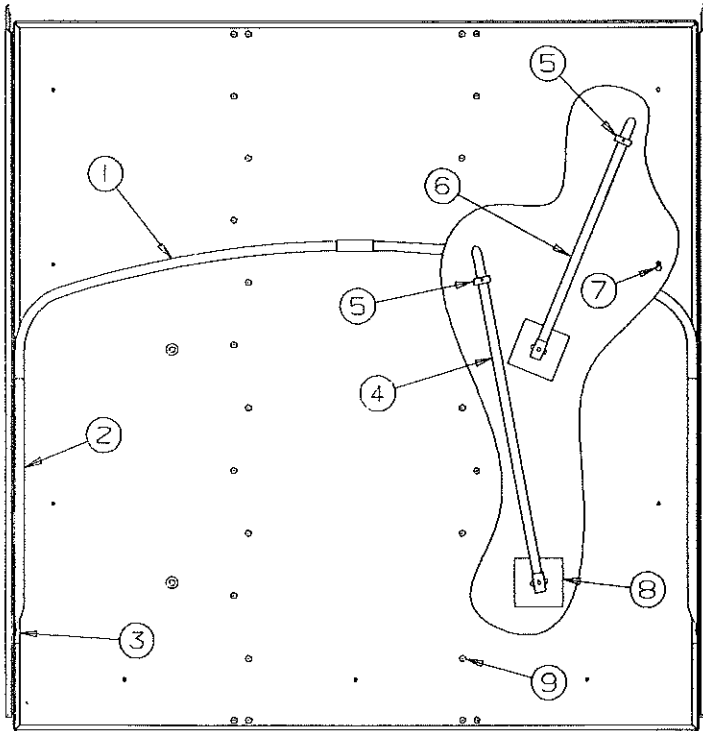
CODE	PART NO.	DESCRIPTION
1	4716-8801	Sliding window pane (all except 2797)
	4750-0581	Sliding window pane (2797 only)
2	4742-9671	Door latch package (all)
3	4737C8771	Kick plate (all except 2797 only)
	4750-0621	Kick plate (2797 only)
4	4749-8861	Drip seal (all except 2797)
	4060000016	Drip seal (2797 only sold/foot)
5	4741E88381	Top bracket (all except 2797)
	4750-063	Top bracket (2797 only)
5A	4749A21581	Top bracket hinge (all except 2797)
	4750-063	Top bracket hinge (2797 only)
6	4734D5211	Cable assembly, x2, M6
	4747A9231	Rivet 1", M25
	0322A3308	Brace spacer
	1202B0268	Washer

*blue frame*

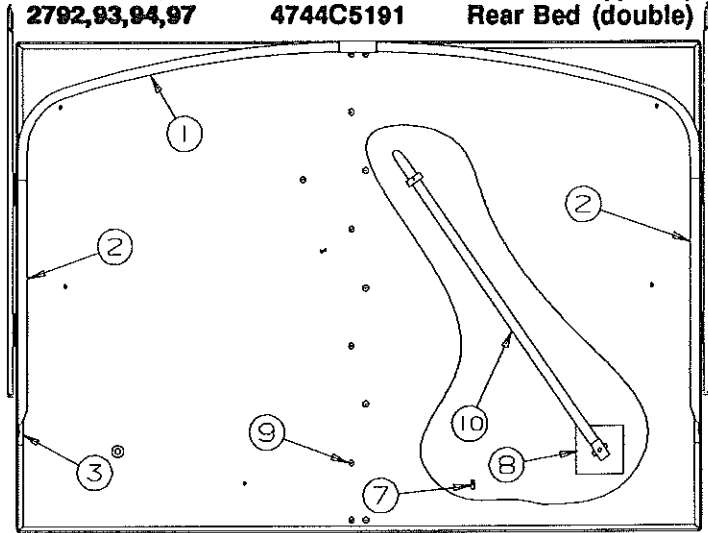
7	4741-8658	Sash lock x2 (all)
	4747A9231	Rivet 1", M25
8	4710H4101	Door seal, 46" long (all)
	1203-8651	Rivet x2, M50
	1203-8631	Rivet x8, M50
9	4731A8201	Spring package (all)
10	4730A3548	Stud w/screw
11	4350000005F	Velcro hook (grey 3/4")
	4720G3601	Hinge x2 (all)
12	4733D0601	Rivet x3, M25
	4741E6221	Screen door support (all except 2797)
13	4750-526	Screen door support (2797 only)
	4716-069	Screw x4
14	4710H40981	Bottom lintel, unpainted
	1203-8631	Rivet, M50

# 1993 PIONEER SERIES

## PIONEER BED ASSEMBLIES. (COMPLETE)

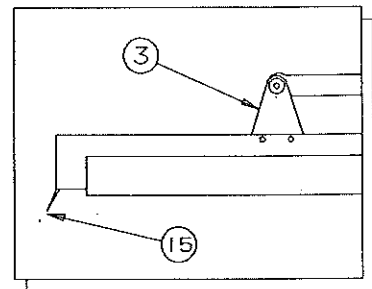
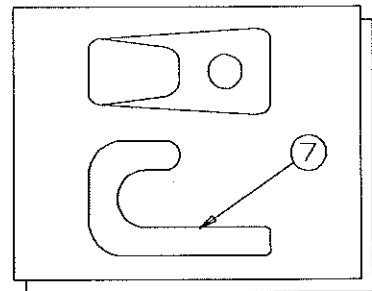
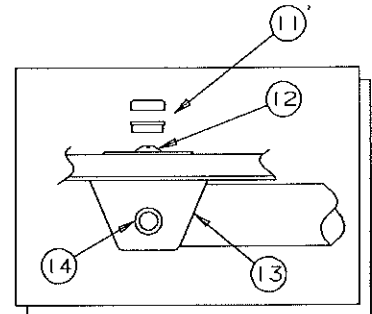


MODEL	PART NO.	DESCRIPTION
2766	4748-6121	Front Bed (single)
2766	4748-6131	Rear Bed (double)
2785	4744C5101	Front Bed (double)
2785	4741D6491	Rear Bed (double)
2792,93,94,97	4744D5201	Front Bed (queen)
2792,93,94,97	4744C5191	Rear Bed (double)



### BED ASSEMBLY COMPONENT PARTS

CODE	PART NO.	DESCRIPTION
1	4737F2631	Bed bow assembly (all)
2	4737F2641	Bed bow support x2 (all)
	4733-4118	Tex screw
3	4720G5631	Bed bow bracket x2 (all)
	1014B1006	Screw
4	4733E6351	Bed leg assembly x2 (queen bed)
5	4720C0771	Bed leg clip, M4
	1203-8831	Rivet, M25
6	4720F5821	Bed leg assembly x2 (queen bed)
7	4720D4021	Lashing hook, M6
	1203-8741	Rivet, M25
8	4737A4178	Support plate
9	1203C8721	Rivet, M25
10	4734D5881	Bed leg assembly x2 (double bed) (all)
	4748-6581	Bed leg assembly x2 (single bed, 2766)
11	4739C2908	Screw cap
	4739-2918	Screw cap washer
12	4716-074	Screw
	1202B2528	Washer
13	4734A5141	Bed leg bracket
14	4720A2361	Rod & pal nut
15	4060400339F	Vinyl bed seal (sold/foot)



# REPAIR PARTS

## PIONEER SERIES MATTRESS ASSEMBLIES & COVERS

<u>Model</u>	<u>FRONT MATTRESS</u>		<u>REAR MATTRESS</u>	
	<u>Assembly</u>	<u>Cover</u>	<u>Assembly</u>	<u>Cover</u>
<b>2766 Sedona</b>	4724E8051	4716E8051	4724E8061	4716E8061
<b>2785 Newport</b>	4723M6671	4716M6671	4723M6671	4716M6671
<b>2792 Seneca</b>	4748A6241	4716A6241	4748A6231	4716A6231
<b>2793 Chesapeake</b>	4748A6241	4716A6241	4748A6231	4716A6231
<b>2794 Arcadia</b>	4748A6241	4716A6241	4748A6231	4716A6231
<b>2797 Evergreen</b>	4748A6241	4716A6241	4748A6231	4716A6231

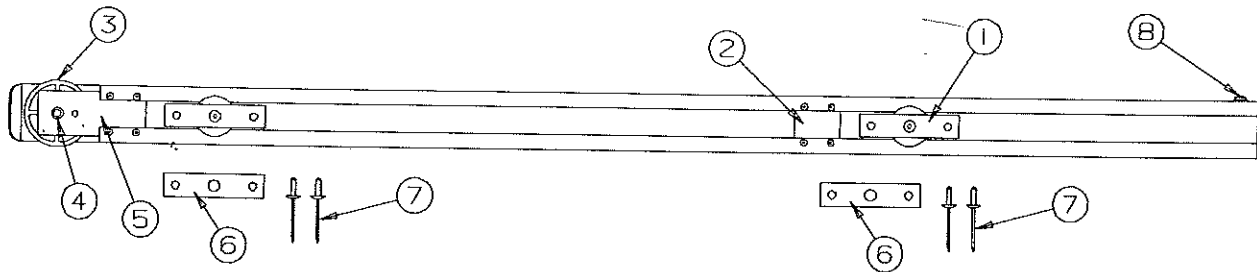
## PIONEER BED EXTENSIONS

### Bed Extensions for Rear Bed Assembly

<u>Model</u>	<u>Curbside</u>	<u>Roadside</u>
<b>2766</b>	4748-6601	4748-60081
<b>2785</b>	4739C6191	4739C6191
<b>2792,93,94,97</b>	4739C6191	4739C6191

### Bed Extensions for Front Bed Assembly

<u>Model</u>	<u>Curbside</u>	<u>Roadside</u>
<b>2766</b>	4737-5281	4737-52881
<b>2785</b>	4731B6291	4739C6191
<b>2792,93,94,97</b>	4744A56781	4733C62981

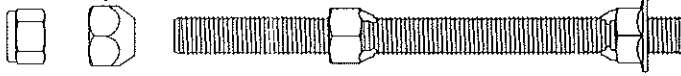


### BED EXTENSIONS COMPONENT PARTS

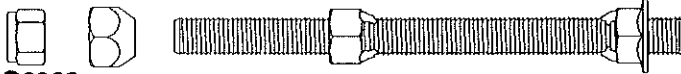
<u>CODE</u>	<u>PART NO.</u>	<u>DESCRIPTION</u>
<b>1</b>	<b>4720C5621</b>	<b>Roller assembly x2</b>
<b>2</b>	<b>4731A1291</b>	<b>Roller stop</b>
	<b>4749-4578</b>	<b>Rivet x4</b>
<b>3</b>	<b>4720B0831</b>	<b>Nylon wheel</b>
<b>4</b>	<b>4731A1288</b>	<b>Shoulder rivet</b>
<b>5</b>	<b>4741-9191</b>	<b>Rivet plate</b>
	<b>4749-4578</b>	<b>Rivet x4</b>
<b>6</b>	<b>4731-4711</b>	<b>Roller spacer x2</b>
<b>7</b>	<b>1203-8651</b>	<b>Rivet, M50 (extension to bed frame)</b>
<b>8</b>	<b>4733-4118</b>	<b>Tek screw</b>
	<b>1202B0268</b>	<b>Washer</b>

# 1993 PIONEER SERIES

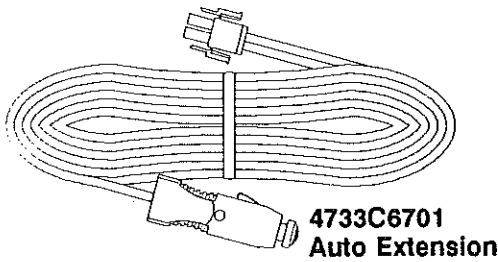
1201B6618  
Lug nut



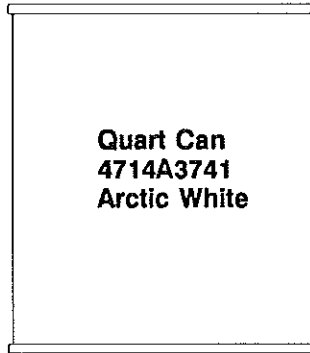
4741A5791 Spare Tire Mount Pkg (standard equipment)



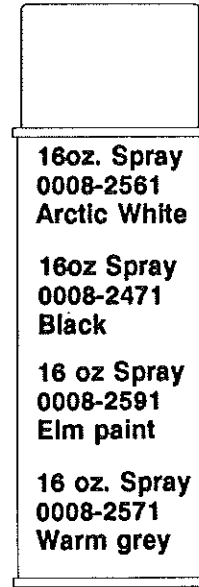
1201C6368  
Locknut



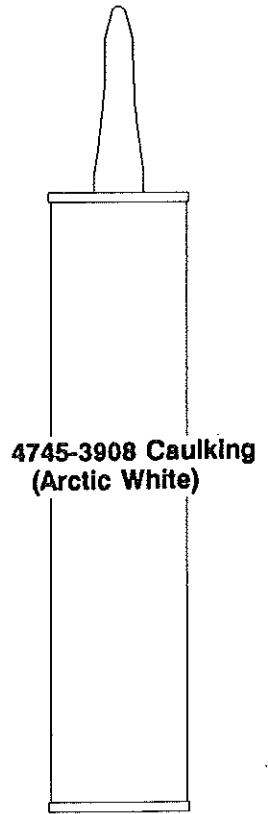
4733C6701  
Auto Extension



Quart Can  
4714A3741  
Arctic White



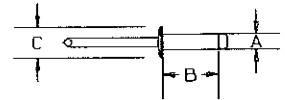
16oz. Spray  
0008-2561  
Arctic White  
  
16oz Spray  
0008-2471  
Black  
  
16 oz Spray  
0008-2591  
Elm paint  
  
16 oz. Spray  
0008-2571  
Warm grey



4745-3908 Caulking  
(Arctic White)

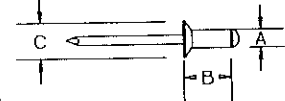
## Pioneer Pop Rivets

NOTE: (Equivalent may be purchased locally from auto parts store.)



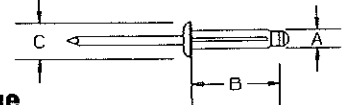
Rivet No.	Pkqd	'A' Dia.	'B' Length	'C' Head	Color	Typical Usage
1203-8558	Single	1/8	1/4	1/4	Alum.	Screen door
4741-9861	M25	5/32	3/8	1/4	Alum.	Screen door assembly
1203-8631	M50	5/32	3/8	1/4	Alum.	Top assemblies
4749-4578	Single	5/32	7/16	5/16	Alum.	Bed extensions
1203-8641	M50	3/16	7/16	3/8	Alum.	Lift assemblies, body rails
4733D0601	M25	3/16	7/16	3/8	Arc White	Access door, bulkheads
1203C8751	M25	3/16	7/16	3/8	Steel	Corner bulkheads
4734C1861	M25	3/16	5/8	3/8	Arc White	Screen door assemblies
4734E1861	M25	3/16	5/8	3/8	Elm	Upper & lower galley
1203-8741	M25	3/16	13/16	3/8	Alum.	Bed assemblies, lashing hooks
1203-8831	M25	3/16	5/8	5/8	Alum.	Bed assembly, bed leg clips
4744B4608	Single	3/16	1"	5/8	Elm	Lower galley tops
1203C8721	M25	3/16	11/16	5/8	Steel	Upper crank, swing arms

## COUNTERSUNK HEAD POP RIVETS



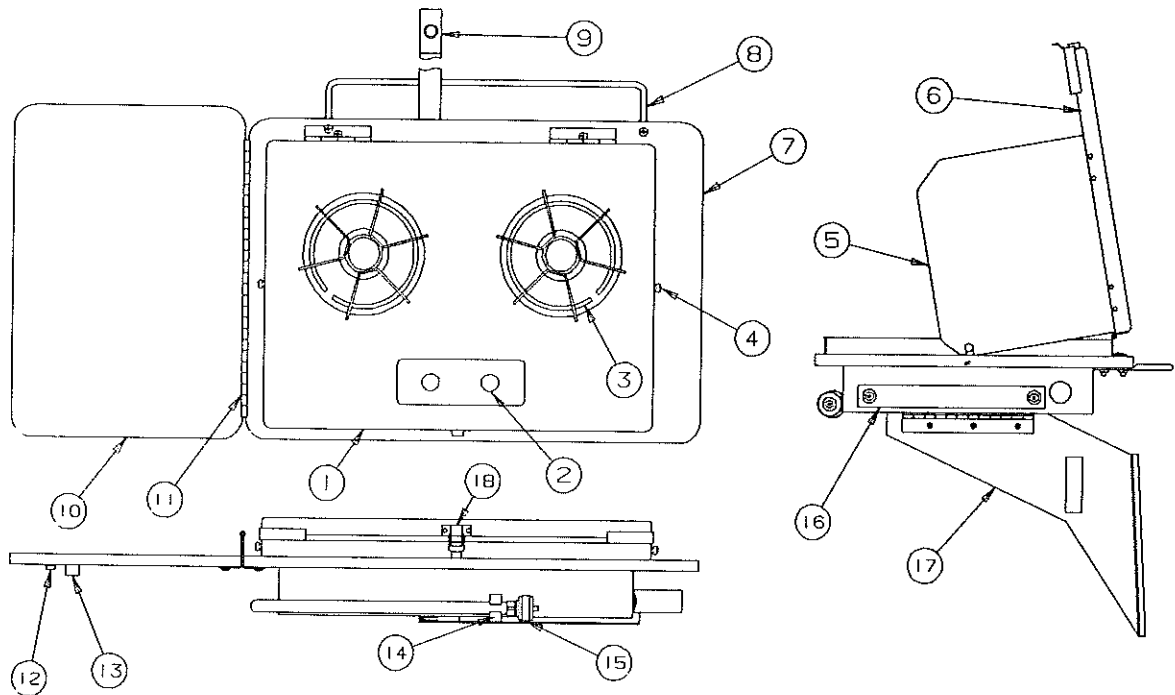
Rivet No.	Pkqd	'A' Dia.	'B' Length	'C' Head	Color	Typical Usage
1203-8678	Single	1/8	3/8	7/32	Alum.	RVIA tag, utility hatch door
1203-8978	Single	3/16	7/16	11/32	Alum.	Access door bulkheads

## EXPANSION POP RIVETS



Rivet No.	Pkqd	'A' Dia.	'B' Length	'C' Head	Color	Typical Usage
4744-4611	M25	5/32	3/4	5/16	Alum.	Screen door tracks
4741C96568	Single	3/16	13/16	3/8	Warm grey	Top assembly, side covers
4747-2558	Single	3/16	1"	3/8	Alum.	Taillights, miter covers, lift trim

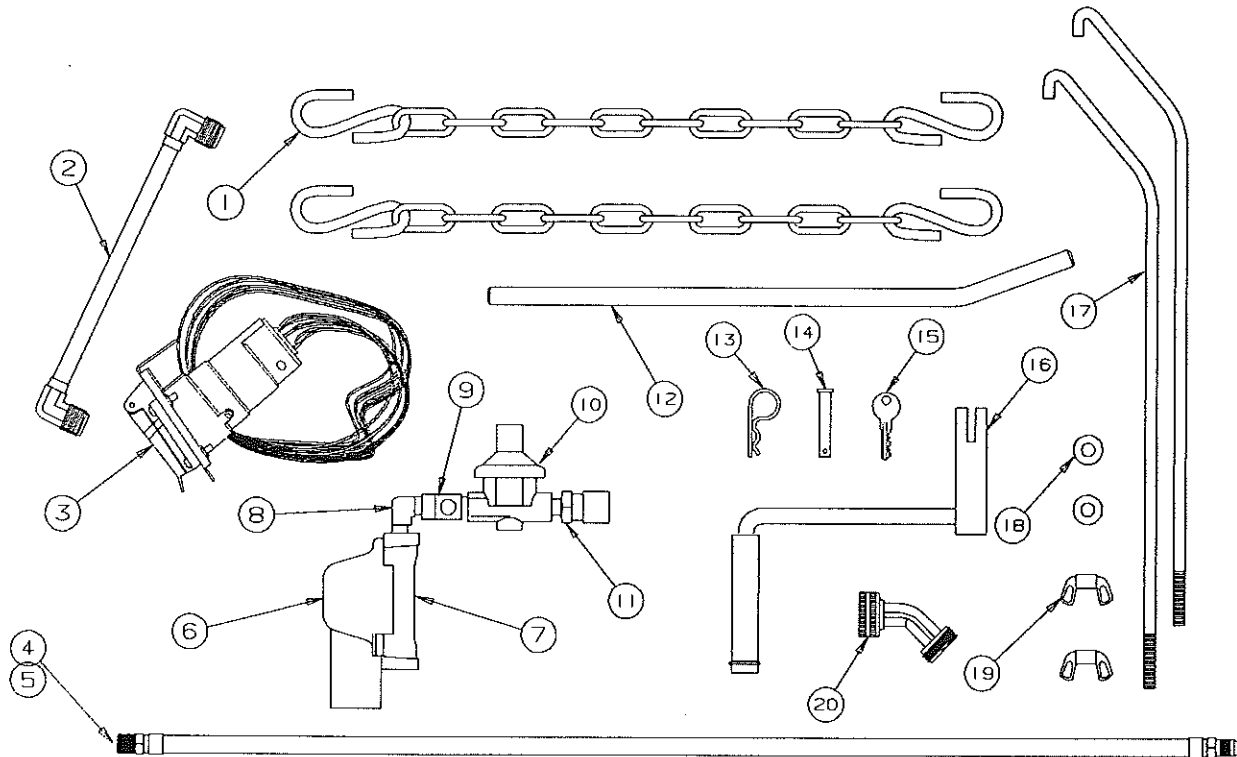
# REPAIR PARTS



## **PIONEER OUTSIDE STOVE (4746-5471) COMPLETE**

CODE	PART NO.	DESCRIPTION
1	4746-9491	2 Burner stove top
2		(Knob not available)
3	4716-1851	Grate x2
4	4716A0881	Thumb screw x2, M6
5	4749B99381	Stove fin x2*
	4741A4401	Hinge x2
6	4749B66081	Stove cover
7	4746-9391	Outside stove top
8	4748-2591	Towel bar
	4716-056	Screw x3
	1201B6958	Nut x3
9	4746-5481	Safety strap assembly
10	4746-9401	Outside stove shelf
11	4746-9381	Hinge x1
12	4730A3548	Stud with screw
13	4710-2681	Stop button, M5
	4716-077	Screw x1
14	4734-2431	Gripper clip x1, M4
15	4746-9891	Gas hose
16	4742-8971	Stove strap handle
	1203-8641	Rivet x2, M25
	1202B2698	Washer
17	4746-9221	Outside stove flap (includes hinge, velcro & adhesive foam pad)
18	4733-4018	Latch x1
	4733B4028	Strike
	1203-8558	Rivet

# 1993 PIONEER SERIES



## **PARTS PACKAGE (COMPLETE)**

**4744E6401** Parts Package 2766, 2785, 2792, 2793

**4748B5631** Parts Package 2794

**4748B56381** Parts Package 2797

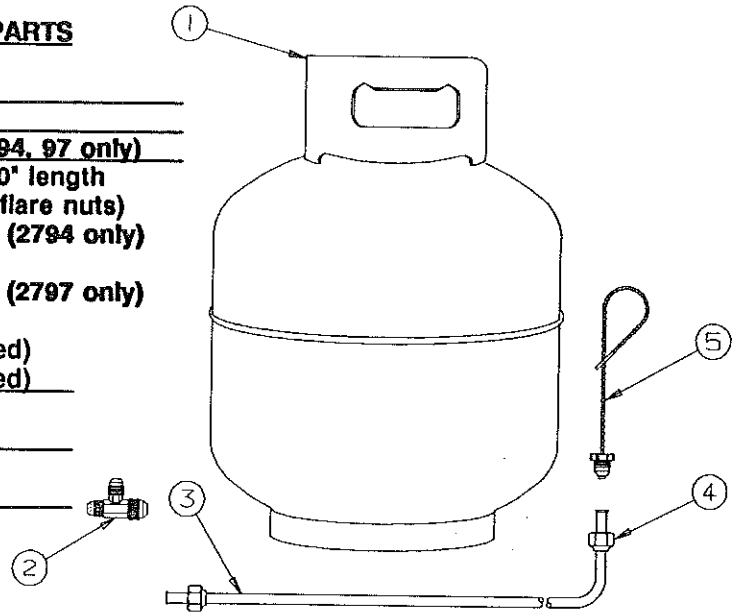
## **PARTS PACKAGE COMPONENT PARTS:**

<b>CODE</b>	<b>PART NO.</b>	<b>DESCRIPTION</b>
1	4720D3031	Safety chain, M2 (all except 2797)
	4749-9601	Safety chain. (2797 only)
2	4746-5381	Winterizing adapter (2794, 2797)
3	4746-5591	Pigtail. (Bargman) (all)
4	4733A3991	Gas hose 3/8 x 3/8 x 32" (low pressure)
	4737-8871	Gas hose 3/4 x 3/8 x 32" (low pressure)(2794, 2797)
5	4742-8081	Gas hose 3/8 x 1/4 x 32" (high pressure) (all)
6	4746-4231	Regulator cover (all)
7	4742-8051	Regulator (low pressure) (all)
8	4742-8031	Brass elbow (all)
9	4739-6998	Brass tee (all)
10	4742-8041	Regulator (high pressure) (all)
11	4737-9308	PQL adapter (all)
12	4749-1881	Stabilizer handle, M4 (all)
13	4732A4791	Safety pin, M10 (all)
14	4771-2631	Hitch pin, M5 (all)
15	4730A3211	Key, M10 (all)
16	4747C4141	Crank handle (all)
17	4733F6281	Gas bottle mounting bracket package (all)
		(Includes wing nuts & washers)
18	1202B0468	Washer x2
19	1201-6258	Wing nut x2
20	4744-2651	45° Gooseneck (2794 only)

# REPAIR PARTS

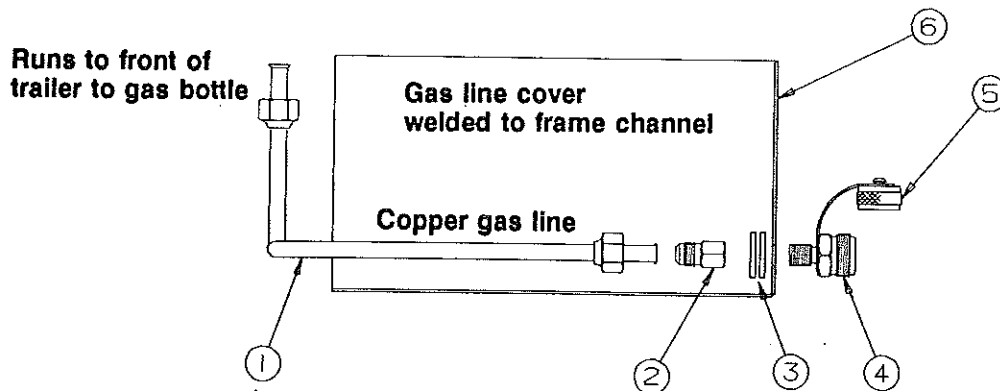
## PIONEER SERIES GAS SYSTEM & RELATED PARTS

CODE	PART NO.	DESCRIPTION
1	4720J5928	Gas bottle (arctic white)
2	1215-1788	Tee 1/2 x 3/8 x 3/8 (2794, 97 only)
3	4714-0711	3/8" Copper gas line, 100' length (includes 1 bushing & 2 flare nuts)
	4750-5746	1/2" Copper gas line 60" (2794 only) (includes 2 flare nuts)
	4749-6056	1/2" Copper gas line 40" (2797 only) (includes 2 flare nuts)
	1201-8708	3/8" Clamp (rubber coated)
	1201-8738	1/2" Clamp (rubber coated)
4	1215-2418	Flare nut (3/8" gas line)
	1215-2438	Flare nut (1/2" gas line)
5	4733A3888	3/8" Plastic cap & chain
	4737-8388	1/2" Plastic cap & chain



## OUTSIDE STOVE GAS LINES AND COMPONENTS

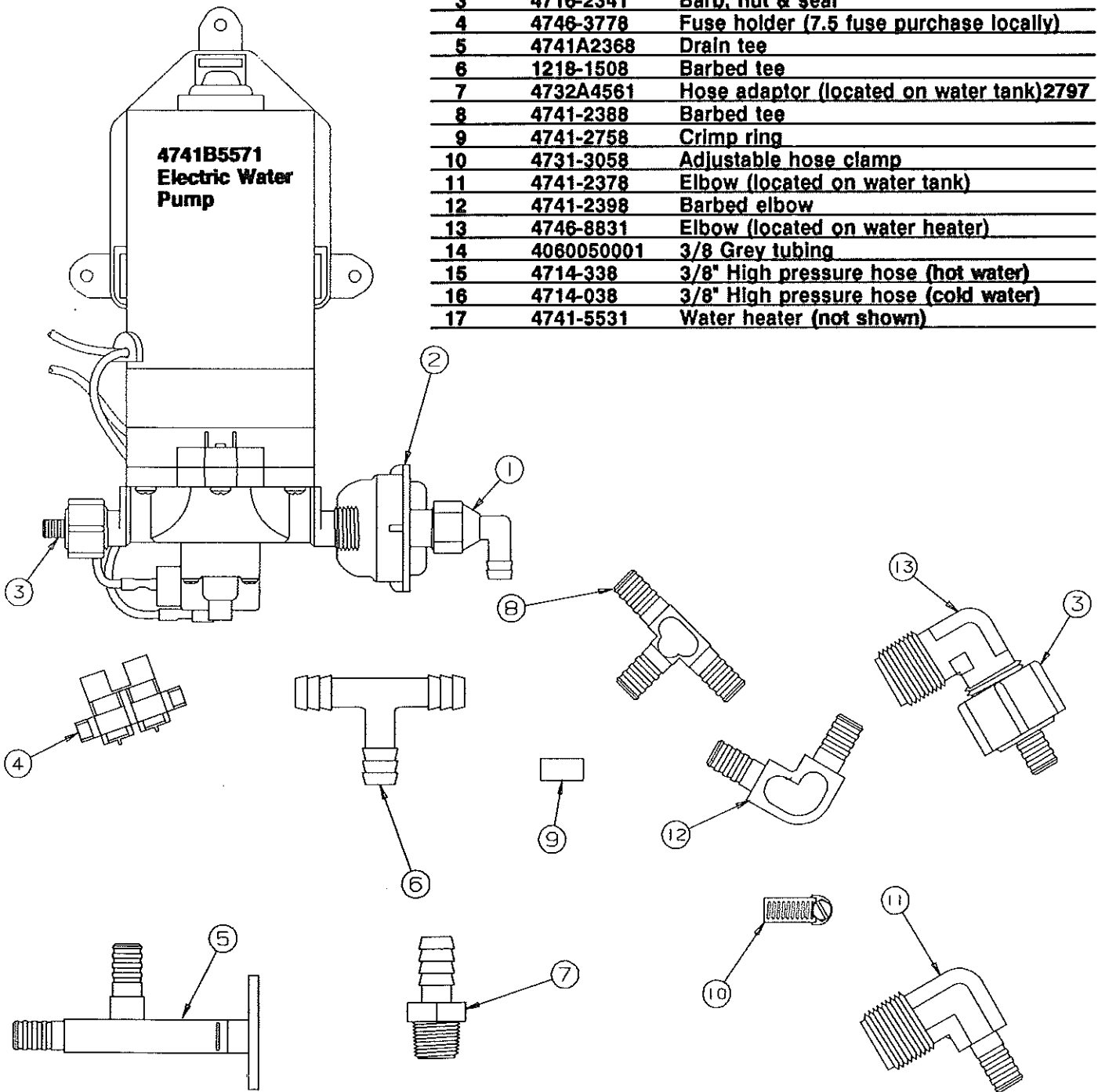
CODE	PART NO.	DESCRIPTION
1	4714-0711	Copper gas line assembly, (100") 2766, 2785
	4714-0721	Copper gas line assembly, (110") 2792, 2793, 2794, 2797 (Gas lines include 2 flare nuts)
	1215-2418	Flare nut
2	4742-8061	Female coupling
3	1202B1068	Washer x2
4	4739-6978	Cylinder adapter
5	4742-8071	Brass cap w/strap
6	4746-9371	Gas line cover, 2766
	4746-93781	Gas line cover, 2785
	4742-8551	Gas line cover, 2792, 2793, 2794, 2797



# 1993 PIONEER SERIES

## WATER SYSTEM COMPONENT PARTS- 2794, 2797

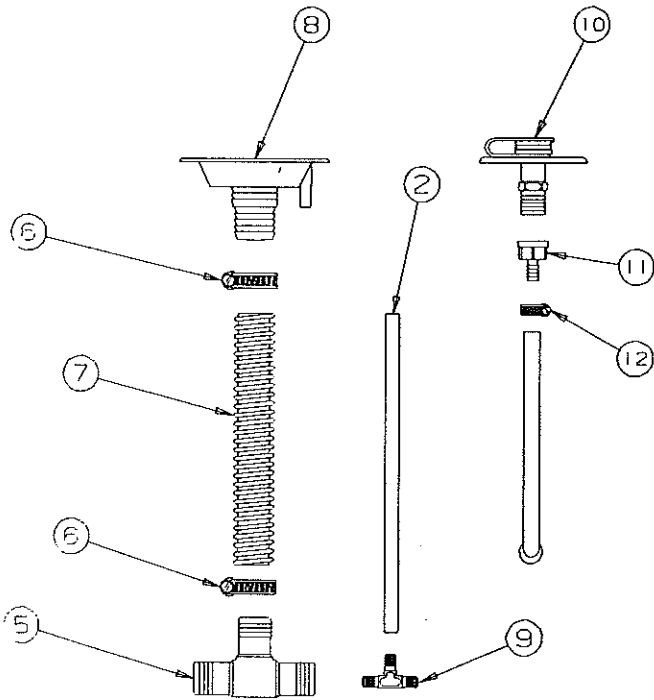
CODE	PART NO.	DESCRIPTION
1	4741-9068	Swivel elbow
2	4747A8311	Filter
3	4716-2341	Barb. nut & seal
4	4746-3778	Fuse holder (7.5 fuse purchase locally)
5	4741A2368	Drain tee
6	1218-1508	Barbed tee
7	4732A4561	Hose adaptor (located on water tank)2797
8	4741-2388	Barbed tee
9	4741-2758	Crimp ring
10	4731-3058	Adjustable hose clamp
11	4741-2378	Elbow (located on water tank)
12	4741-2398	Barbed elbow
13	4746-8831	Elbow (located on water heater)
14	4060050001	3/8 Grey tubing
15	4714-338	3/8" High pressure hose (hot water)
16	4714-038	3/8" High pressure hose (cold water)
17	4741-5531	Water heater (not shown)



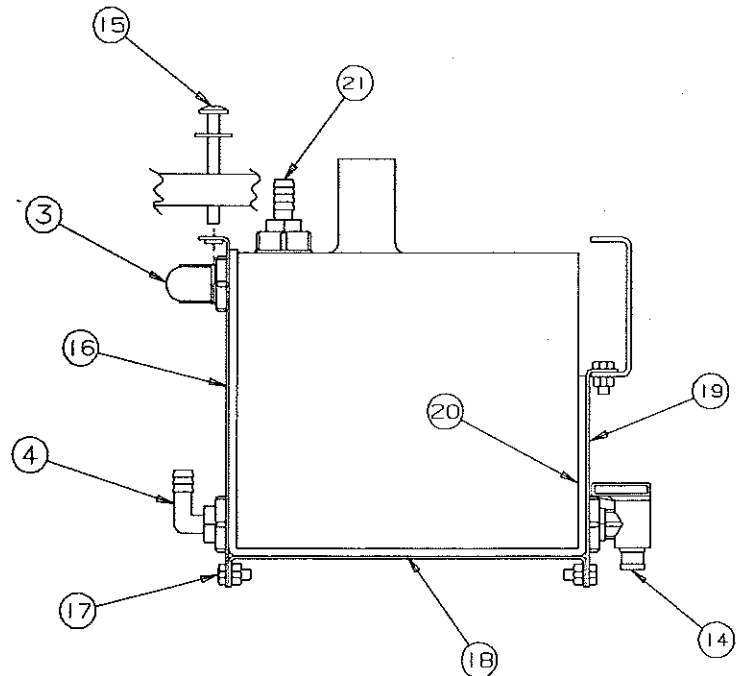
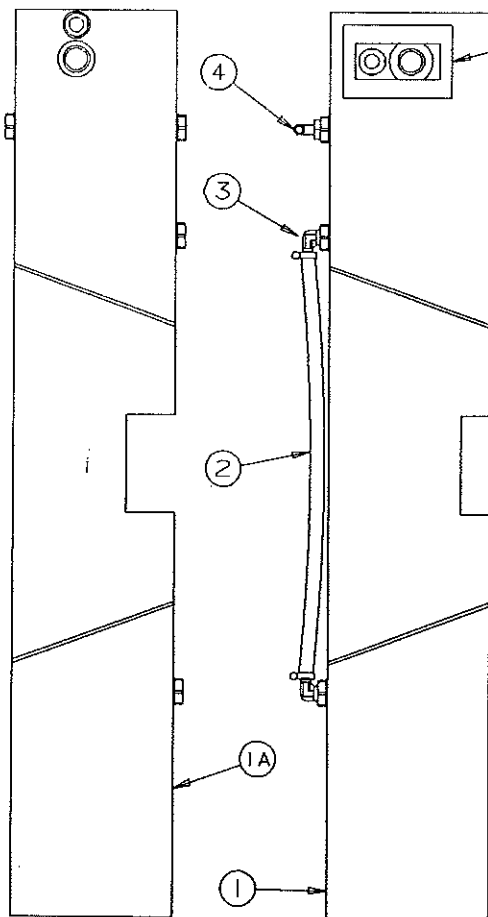


# REPAIR PARTS

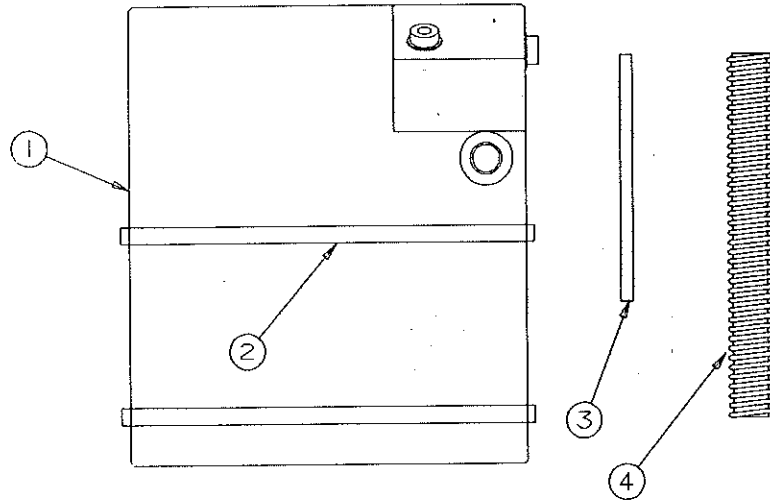
## 2797 EVERGREEN - WATER TANK & RELATED PARTS



CODE	PART NO.	DESCRIPTION
1	4748-8341	Water tank - 10 gallon
1A	4748-834R1	Water tank - 10 gallon
2	4733C1201 4731-3058	Clear tubing, 24" length Adjustable hose clamp x2
3	4741A2378	Elbow x2
4	1218-3518	Elbow
5	4741B2381	Barbed tee 1 1/4"
6	4715-4501	Hose clamp 1 1/4"
7	4731G1081	Water fill hose 24" lengths
8	4731D1711	Water tank spout
9	4741A2388	Barbed tee 1/2"x1/2"x1/2"
10	4732F1521	City fill
11	4741-9568 1202-5828	Female adaptor Rubber washer
12	4731-3058	Adjustable hose clamp
13	4742-8631	Water tank gasket
14	4715E4381	Spigot 3/8"
15	1020E1620F 1202B2528	Screw x4 (stainless steel) Washer x4
16	4748-8301	Water tank hanger (large)
17	4731-3878 1201B6038	Hex bolt Hex nut
18	4748-8321	Water tank hanger (base)
19	4748-8311	Water tank hanger (small)
20	4060075008	Foam tape
21	4732B4561	Hose adaptor



# 1993 PIONEER SERIES

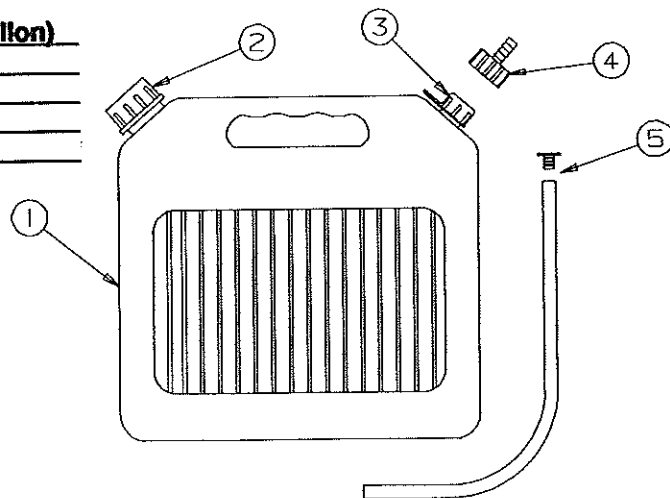


## 2794 ARCADIA WATER TANK & COMPONENT PARTS:

CODE	PART NO.	DESCRIPTION
1	4733G1411	Water tank (10 gal.)
2	4400075001	Strap x2 sold/foot
3	4733B1201	Vent hose (clear)
4	4731F1081	Water fill hose

## PORTABLE WATER SYSTEM - ALL EXCEPT 2794, 2797

CODE	PART NO.	DESCRIPTION
1	4735-2131	Water tank (complete)(5 gal.)
	4735C0988	Water decal
	4748-8941	Throw-in-tank (5 gallon)
2	4714-0231	Large white cap
3	4714-0221	Small cap w/tie-on
4	4714-0241	Barb stem & collar
5	4714A0671	Suction stem



# REPAIR PARTS

## EVOLUTION III ASSEMBLIES & COMPONENTS

CODE	PART NO.	DESCRIPTION
1	4724D77951	Front boot 2766
	4748A59451	Front boot 2785
	4748A59551	Front boot 2792,93,94,97
2	4748A62651	Rear boot 2766
	4748A59451	Rear boot 2785,92,93,94,97 FRONT 2785
3	4724B81451	Large window 2766
	4748A59951	Large window 2785
	4748A59351	Large window 2792,93,94,97
4	4728C68451	Small window 2766
	4748A88051	Small window 2785
	4748A59251	Small window 2792,93,94,97
5	4724B81351	Door seal 2766
	4748A59851	Door seal 2785
	4748A58051	Door seal 2792,93,94,97
6	4060100056F	Door seal extrusion 46" (rubber)
7	4714D1611	Screen package (84" x 3 yds)
	4714-0361	Screen package (84" x 13 yds)
8	4716A0851	Evolution patch package (12" x 14")
	4716-3301	Evolution patch package (54" x 2 yds)
9	4716-2401	Window vinyl (41" x 2 yds)
10	8119901429	Top vinyl (grey/warm grey back)
11	8119901426	Bottom vinyl (rain forest green)
12	4060000024F	Arrowhead seal
13	4060000055	Vinyl tubing 5/16" dim.
14	8160000320F	Bias binding (grey)
15	6650500130F	Zipper (grey) around windows
16	1225-4461	Zipper pull (grey) (around windows)
17	1225G3478	Zipper pin half (grey) 50 1/2
18	1225G3468	Zipper slider half (grey) 50 1/2
19	4735A6721	Extension harness (wire & plugs)
20	4714B6021	Shock cord & clips, M2 (14')
	4724-2011	Shock cord crimps, M10
21	4743-1588	K Kote seam sealer
22	1226-1228	Brass grommet w/teeth (round)

Modac  
2785  
Newport

## PANELING AND TRIM

4714E4501	Universal wall panel (48 x 18 3/16) Greenbriar oak
4716-2241	Universal wall panel (48 x 18 3/16) Desert plain
4714D2911	Corner divider (Desert plain) M5
4714D2921	Panel divider (Desert plain) M5, 17 3/4"
4714D2931	Toe molding (Desert plain) M2, 48" lengths
4714E2911	Corner Divider (Greenbriar oak) M5, 17 3/4"
4714E2921	Panel divider (Greenbriar oak) M5, 17 3/4"
4714E2931	Toe molding (Eim) M2, 48" lengths

# 1993 PIONEER SERIES

## PIONEER SERIES TOP ASSEMBLIES (ARCTIC WHITE)

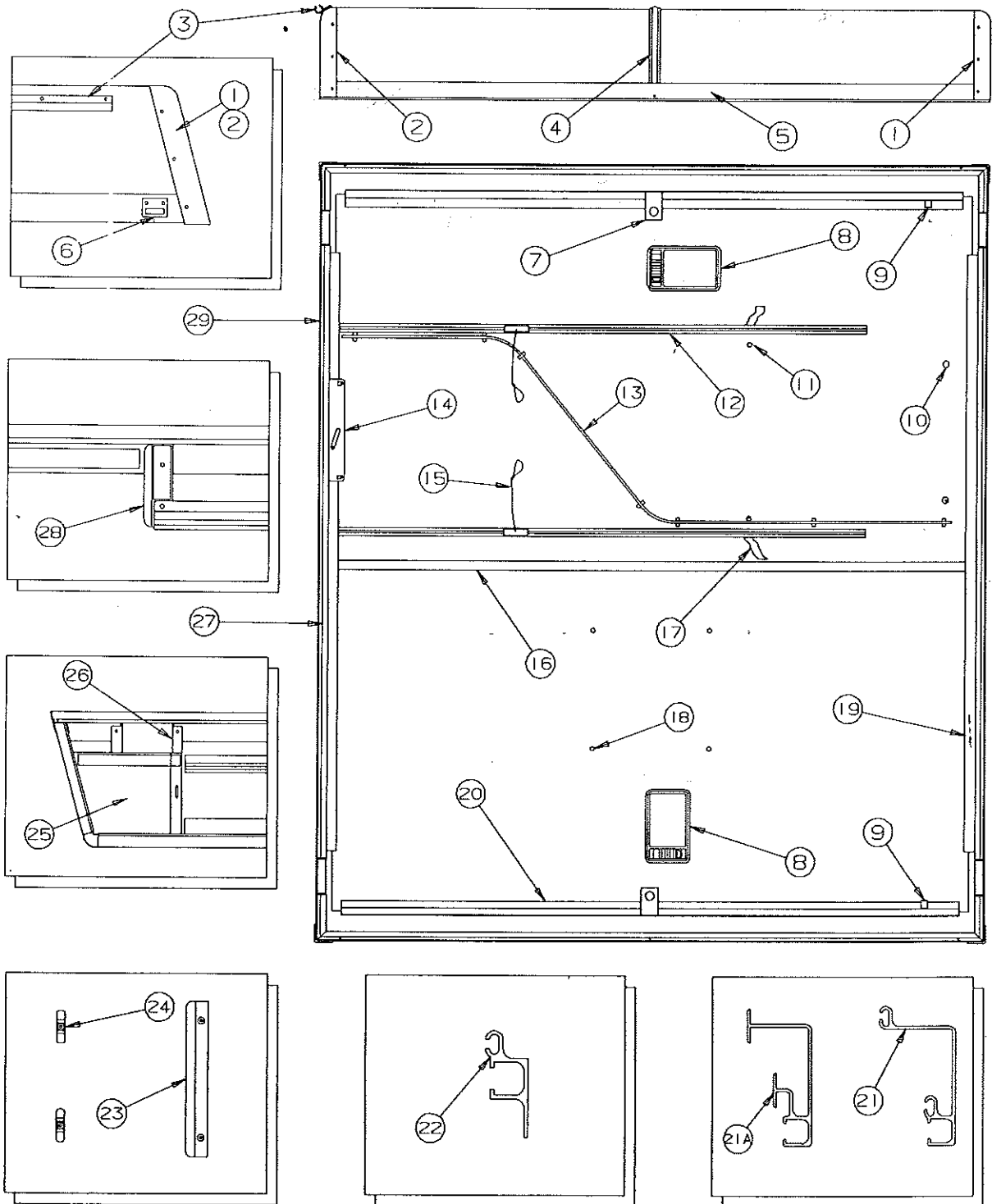
**NOTE: ALL PIONEER REPLACEMENT TOPS ARE SHIPPED LESS ROADSIDE & CURBSIDE REAR EVOLUTION, DRAPE & VALANCE TRACKS**

4716A9661 - Top assembly 2766 - Sedona  
 4716A9851 - Top assembly 2785 - Newport  
 4716A9931 - Top assembly 2792 - Seneca, 2793 - Chesapeake, 2794 - Arcadia  
 4716A9971 - Top assembly 2797 - Evergreen

CODE	PART NO.	DESCRIPTION
1	4741C1991	Top corner (right front/left rear)
	4745-3968	Screw x6 (arctic white)
	4350000058F	Foam tape
2	4741C1981	Top corner (left front/right rear)
3	4728D20881	Canopy track (all) (must cut to length)
	4745-3968	Screw (arctic white)
4	4741B2319	Center seam (all) (must cut to length)
	4060400096F	Vinyl screw cover
	4741-3508	Hex head screw
	4350000058F	Foam tape
5	4741E21381	Top seal extrusion (front/rear) (all)
6	4715C2091	Top strike x4, M4
	4744-2468	Screw x2
	1201B6958	Nut x2
7	4741F11381	Tent support bracket x2
8	4737F5911	Dome light
	4714F0891	Dome light lens
	1103B1028	Screw x4
9	4746-9121	Clothes clip
10	4737-3211	Rubber button x2, M8
11	4730A3548	Stud w/screw x2
12	4733G4711	Screen door track
	4744-4611	Rivet, M25
	1203-9258	Plastic accordion rivet
13	4750-33561	I-Beam track (2794 only)
	4739-1208	Mounting bracket x7
	4745-3968	Screw (arctic white x14)
14	4749A5571	Screen door bracket (all except 2797)
	4750-5571	Screen door bracket (2797 only)
	4741C96568	Rivet x3 (warm grey)
	4749-2138	Snap button
15	1203-8641	Rivet x1, M50
	4734D5211	Screen door cable, M6
16	4350400003F	Vinyl tape (blue mist)
17	4723A5061	Safety strap x2
18	1203-9258	Plastic accordion rivet x4
19	4741H18681	Side cove x2 (all) (must cut to length)
	4741C96568	Rivet (warm grey)
20	4741G21481	Cove, front/rear (all)
	4741C96568	Rivet
21	4741B1891	Evolution & valance track (sold/9 ft pc) (*old "C" shape)
21A	4741C1891	Evolution & valance track (sold/9 ft pc) (*new "T" shape)
22	4741B1031	Evolution track (front/rear)
23	4748A4731	Shower curtain rod holder (2794 only)
24	4748A4621	Twisty fastener x2 (2794 only)
25	4741F35481	Lift cover (curbside front/roadside rear)
	4741G12881	Lift cover (roadside front/curbside rear)
	4741D3558	Hole plug x2
	4350000005F	Velcro hook (sold/yard)
26	4741B5431	Lift pocket x4
	1201B6378	Lock nut x8

# REPAIR PARTS

27	4060000399F	Rubber top seal (sold/foot)
28	4741-8841	Retaining bracket x2
29	4741C268	Top seal sides x2, 2766
	4741D3148	Top seal sides x2, 2785
	4741D1888	Top seal sides x2 2792, 2793, 2794, 2797



01

01

01



**2740 Seneca XI**  
**PIONEER STRIPTS**  
**FLEETWOOD®**

model #  
2740XL

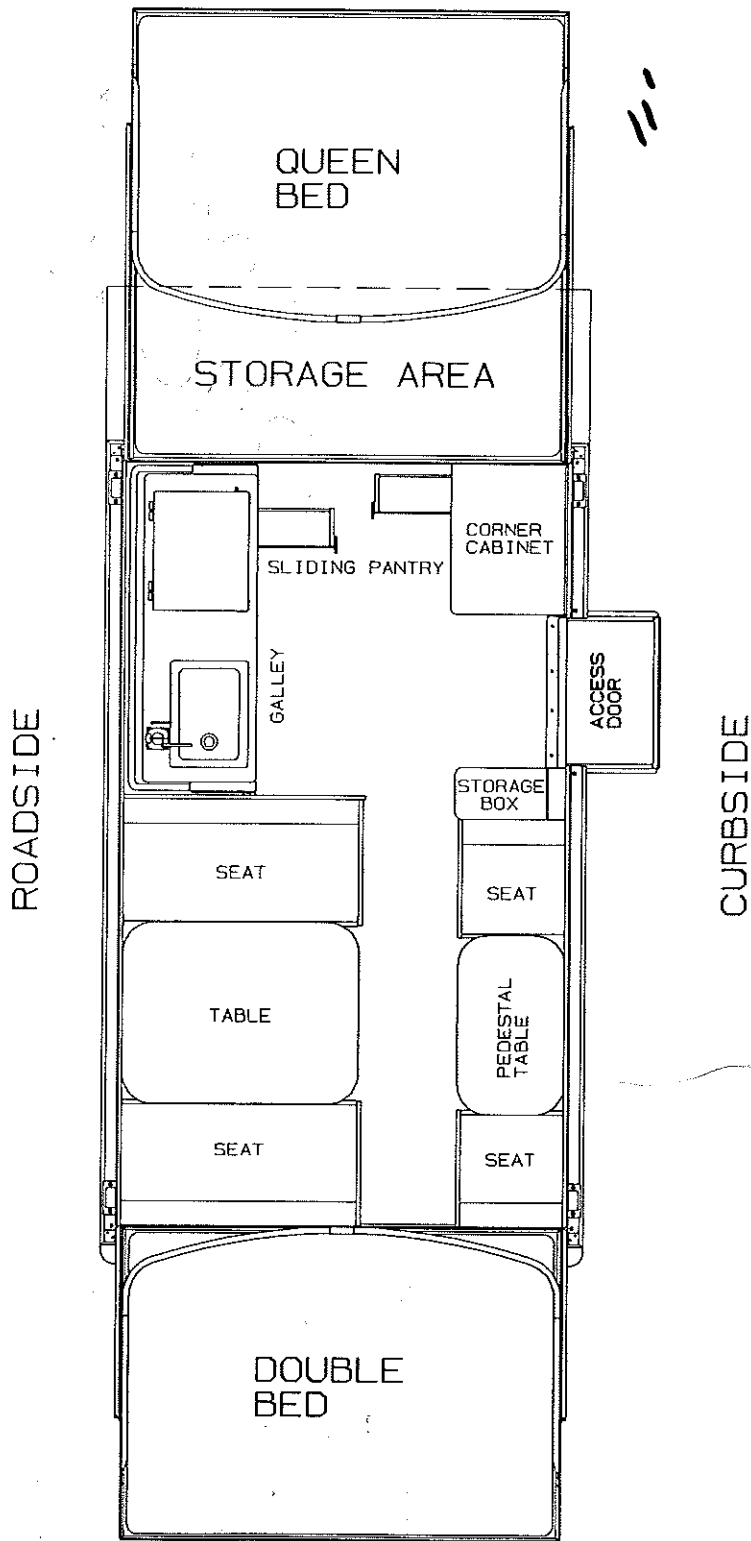
**1993**  
**REPAIR**  
**PARTS**

# 1993

# Seneca XL

## PIONEER SERIES

FRONT



REAR

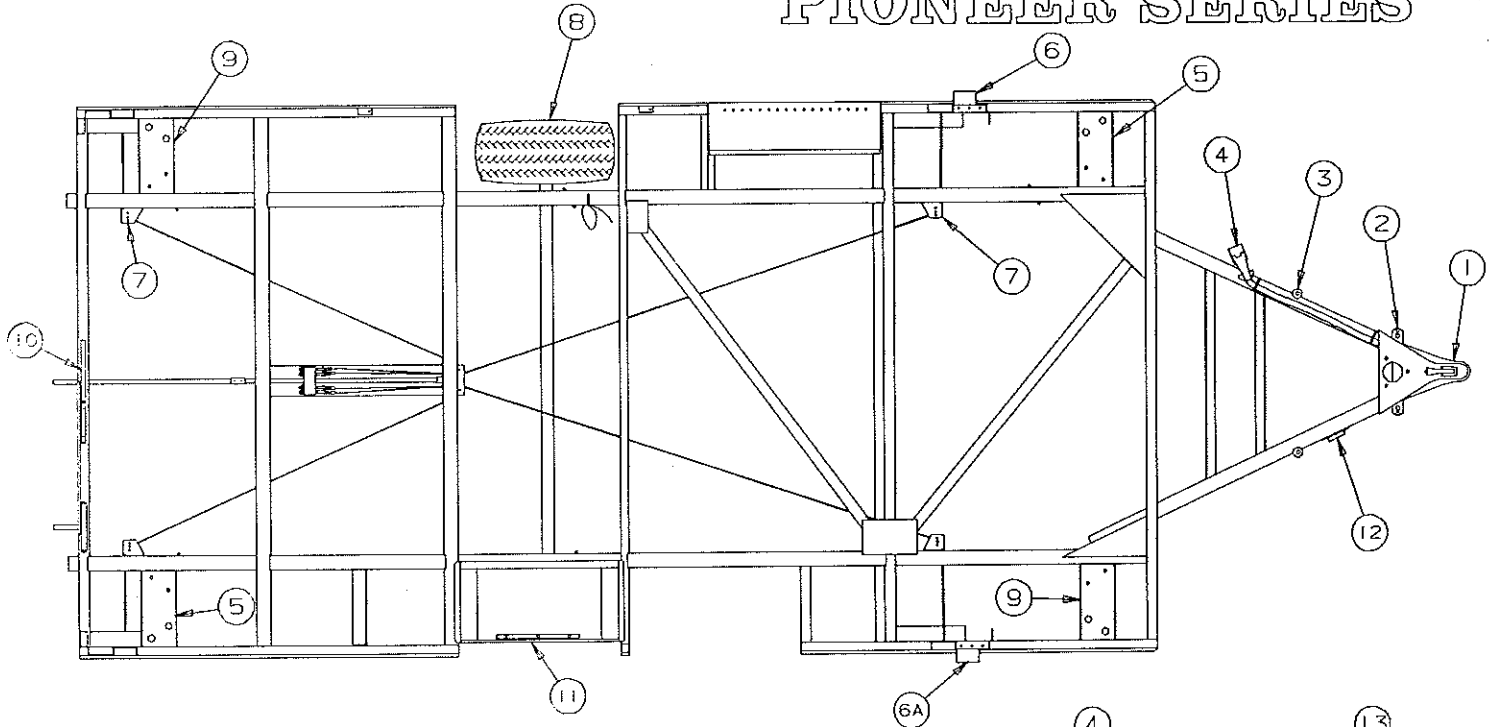


# TABLE OF CONTENTS

DESCRIPTION	PAGE NUMBER		
Access door assembly & related parts	12	Siding pantry & related parts	28
Access door light	12	Sink & related parts	14
Access door bulkheads, front/right rear	10	Spare tire mount package	26
Access door key	12, 30	Stabilizer handle	12
Auto extension	26	Stabilizer assembly	2
Axle beam	6	Storage cabinet (corner cabinet)	16
Axle assembly & related parts	6	Stove (outside stove & related parts)	27
Bed assemblies & related parts	24	Stove (upper galley assemblies)	14
Bed extensions & related parts	25	T-molding (upper galley tops)	14
Body panel - right front (curbside)	11	Table assemblies & related parts	18
Body panel - right rear (curbside)	11	Taillights	10
Body panel - rear panel & related parts	10	Tent support assemblies & related parts	21
Body panel - front panel & related parts	8, 9	Thrust nut	5
Body panel - left side (roadside)	13	Tire & rim	2
Cable hatch	13	Tongue jack & related parts	3
Caulking	26	Top latch	8, 11, 13
Chain (upper crank assembly)	3	Top assemblies & related parts	32, 33
City water fill	13	Trim tape	9, 11, 12, 13
Converter & related parts	20	Trim tape repair kits	11, 12, 13
Converter.	20	Upper galley assemblies & related parts	14
Cooler 48 qt (4748-9991)		Upper galley lift bar & related parts	14
Corner bulkhead assembly	2	Valance packages	22
Coupler assembly	2	Water pump hold down	14
Crank & sprocket assembly	3	Water tank portable, throw-in-tank	21
Crank handle	12	Water pump (upper galley assembly)	14
Cushion & backrest assemblies - covers	19	Wheel well assembly	2
Drain hose (used on sink assemblies)	14	Whiffletree & related parts	5
Drape packages/Single drape packages	22	Whiffletree extension	5
Drape tie package	22	Wire harness (trailer front)	2
Drape tabs	22	Zippers (Evolution III assemblies)	22
Electric brake package	7		
Electric brakes & related parts	7		
Evolution III assemblies	22		
Fire extinguisher	17		
Floor covering 6610507225			
Frame assembly & related parts	2		
Gas lines & related parts (outside stove)	30, 31		
Gas bottle & related parts	31		
Gas bottle mounting bracket	30		
Gas hose (gas bottle)	30		
Grease seal & bearings	7		
Grease cap (dust cap)	7		
Hub & drum assembly & related parts	6		
Leaf springs & shackles	6		
Lift assemblies & related parts	4		
Lift trim & miter covers	13		
Lower galley assemblies & related parts	15		
Lug bolts	7		
Mattress assemblies & covers	25		
Paint (spray & quart cans)	26		
Paneling & trim	22		
Parts packages & related parts	30		
Pigtail (car end)	2, 30		
Power cord, (converter)	20		
Ratchet & related parts	3		
Receptacle (outside)	11		
Receptacles (inside)	20		
Regulator & fittings	30		
Rivets & usage	29		
Safety latch	10		
Screen door & related parts	23		
Screen door cables	23, 33		
Seat fronts	17, 19		
Seat assembly & related parts	17, 19		

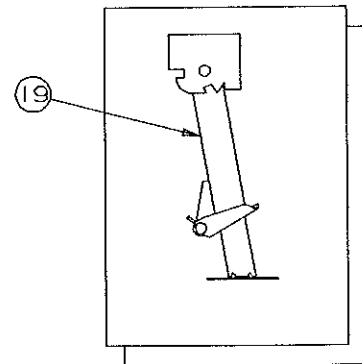
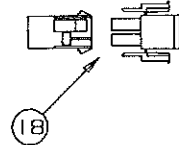
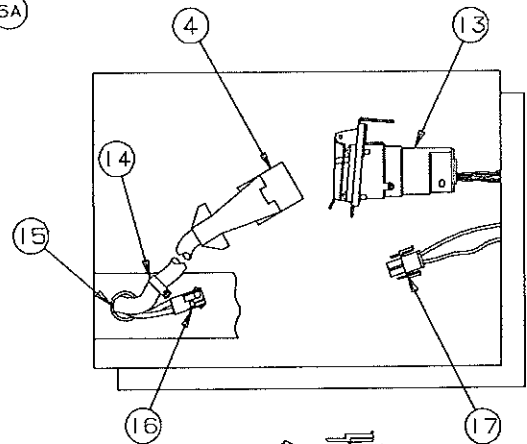
# 1993 Seneca XL

## PIONEER SERIES



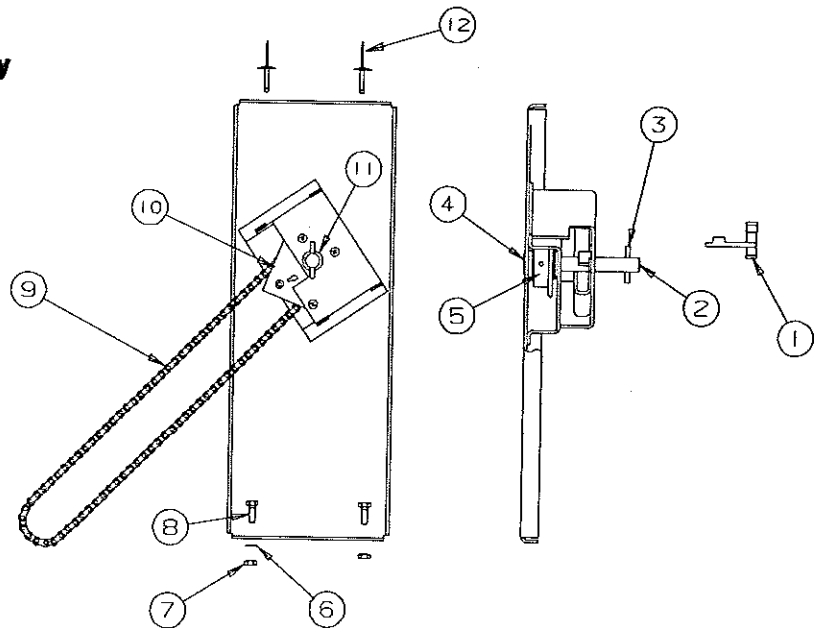
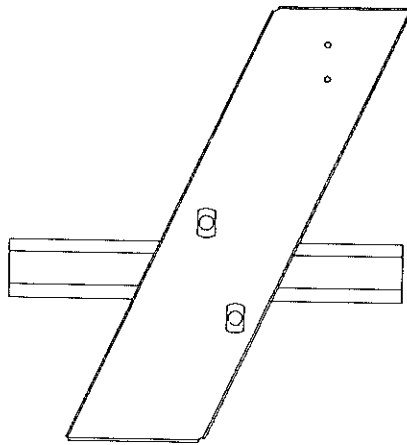
### MAIN FRAME ASSEMBLY COMPONENT PARTS

CODE	PART NO.	DESCRIPTION
1	4742-2001	Coupler assembly 2"
	4714A2211	2" Coupler repair kit
2	4720A3561	Chain bar
3	4747-8941	Pin cover, M2 (plastic)
4	4746-9811	Wire harness (bargman) ct - front
	4742-8961	Braided nylon sleeve
5	4749-626	Stabilizer support
6	4751A5541	Roadside front bulkhead
6A	4751A5531	Curbside front bulkhead
7	4732C3678	Adjustable pulley bracket x4
	4715A5371	Pulley & bearing, M10
	4720C1578	Short pin
	1204B1081	Cotter pin, M10
8	4749B8648	Tire & rim 10" load range "C"
9	4749-627	Stabilizer support
10	4751-5551	Spare tire mount assembly
11	4741A3311	Wheel well assembly x2
	4060075008	Foam tape 1" x 3/4" - dark grey
12	4720A3331	Jack bracket
13	4746-5591	Pigtail (bargman) car end
14	1201-8708	Clamp
15	4742-8108	Snap bushing 1 1/4"
16	4716-5001	Power harness - CT end
17	4735A6721	Extension harness - car end
18	4716-4701	12 Volt cap & plug package
	4720D0731	Stabilizer assembly x4
19	4739-2298	Nut (2 per stabilizer)



# REPAIR PARTS

## 4751-5551 Spare Tire Mount Assembly



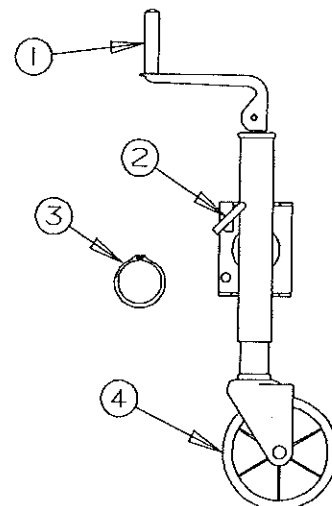
### CRANK AND SPROCKET ASSEMBLIES (4751-5791)

CODE	PART NO.	DESCRIPTION
1	4751A2841	Butterfly switch
	4737-4698	Black cap x2
2	4751A2851	Sprocket shaft
3	4720X1481	Roll pin, 1" long, M10
4	4730C3828	Bronze bearing
5	4730B3858	Sprocket "12 tooth"
	4720B1481	Roll pin, M10
6	1202B0438	Washer x1

7	1201B6038	Hex nut x2
8	4731-3878	Hex head bolt x2
9	4730E3691	Chain (includes connecting link)
	4730A3811	Connecting link
	4714-0351	Half link
10	4746-0198	Ratchet bracket
	4737-4508	Ratchet gear
	4720X1481	Roll pin, M10
11	4737-4688	Bronze bushing
12	1203C8721	Rivet x2, M25

### Tongue Jack Assembly, 4720B6661

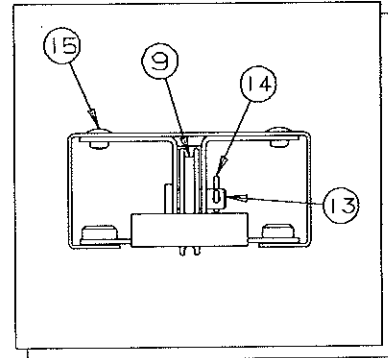
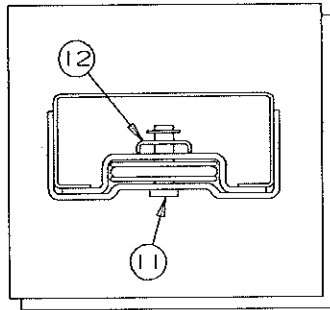
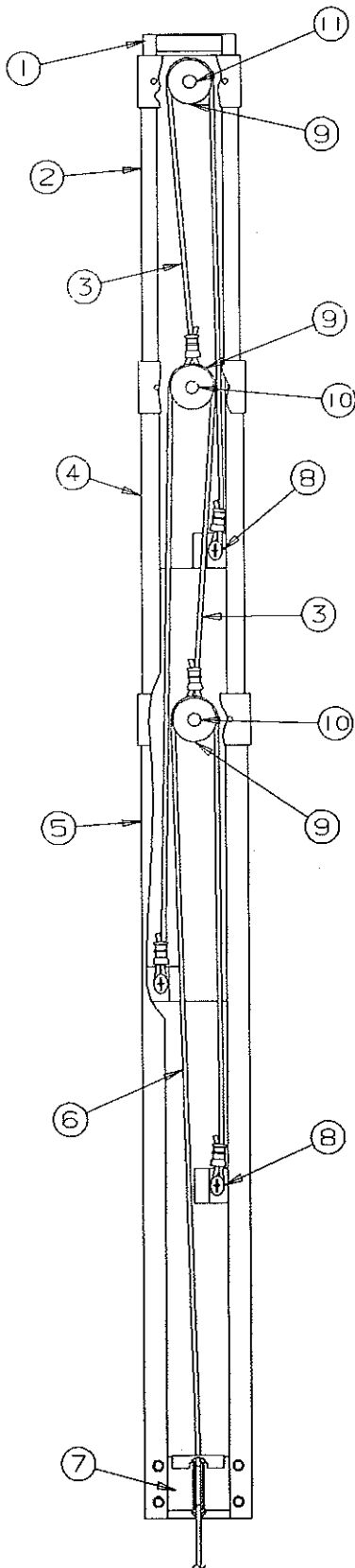
CODE	PART NO.	DESCRIPTION
1	4714-2821	Jack handle kit, M2
2	4714-2818	Locking plunger kit
3	4720A3341	Snap ring
4	4716-6661	Jack wheel, nut & bolt



# 1993

# Seneca XL

## PIONEER SERIES

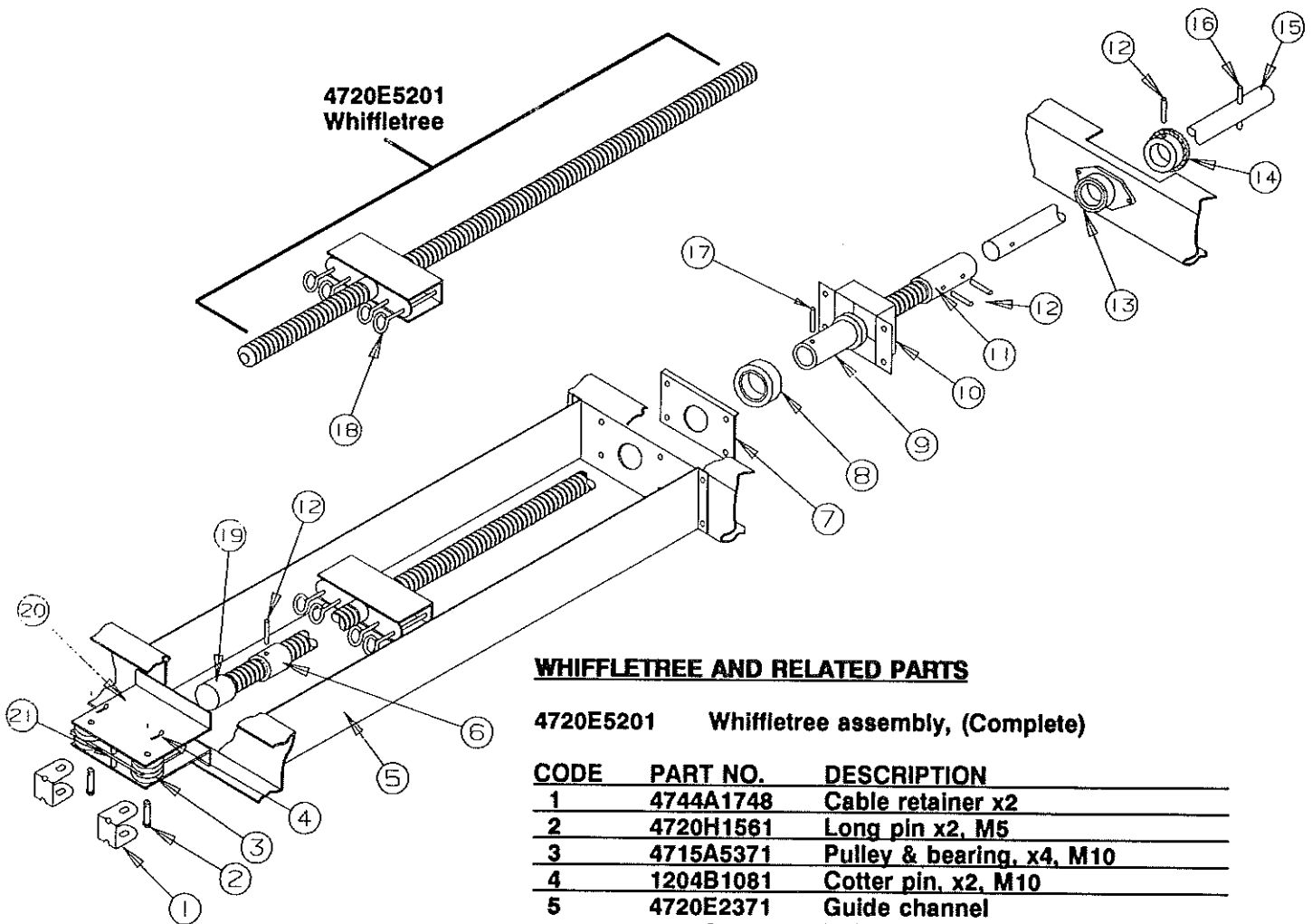


### LIFT ASSEMBLIES

**4716-0011** - Lift assembly, Roadside Rear/Curbside Front  
**4716-0021** - Lift assembly, Roadside Front/Curbside Rear

CODE	PART NO.	DESCRIPTION
1	4720E5181	Top lift assy (4716-0021)
	4739B6741	Top lift assy (4716-0011)
2	4720E5171	Center lift assy (4716-0021)
	4739B6731	Center lift assy (4716-0011)
3	4720C5271	Cable assy x2, M2 (both)
	4720C1691	Steel cable crimp, M20
4	4720F5161	Bottom lift assy (4716-0021)
	4739B6751	Bottom lift assy (4716-0011)
5	4720H5151	Stationary lift assy (both)
6	4747-6741	Stainless steel cable assy M2 (156" long) (includes 2 copper cable crimps in package)
	4744-1318	Copper cable crimp, M10
7	4731C5801	Butterfly bracket assy
8	4749-2081	Screw x3, M6
9	4715A5371	Steel pulley & bearing x4, M10
10	4747-8931	Long pin, x2
	4730B0981	Retaining ring, M12
11	4749-4061	Pin short x1, M4
	4730B0981	Retaining ring, M12
12	4749A2028	Retaining clip
13	4720C1578	Lift pin x1
14	1204B1081	Cotter pin, M10
15	1203-8641	Rivet x4, M50
16	4738A0898	Lift bolt x4 per lift (not shown) (mount lift to frame channel)

# REPAIR PARTS



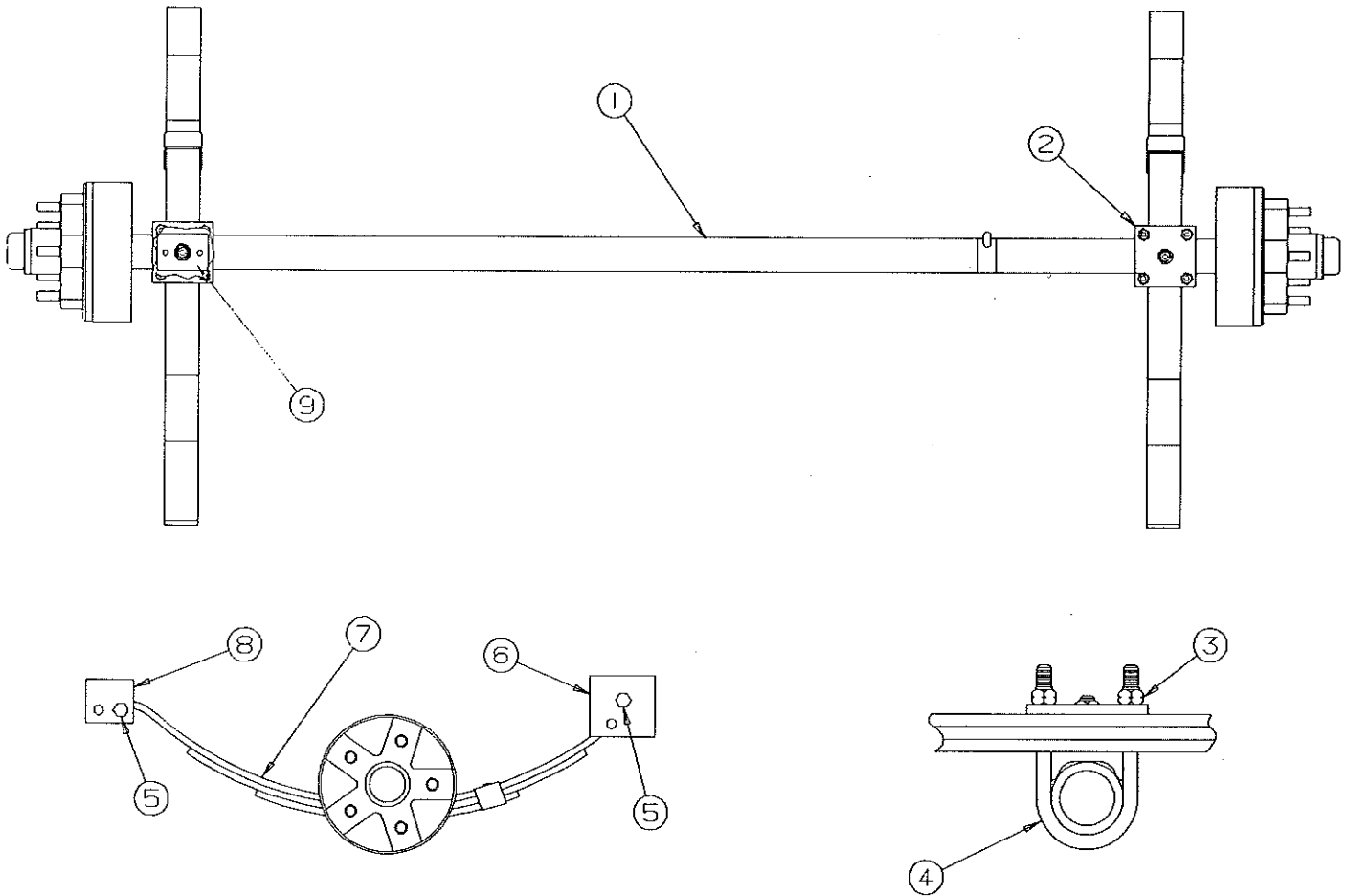
## WHIFFLETREE AND RELATED PARTS

4720E5201 Whiffletree assembly, (Complete)

CODE	PART NO.	DESCRIPTION
1	4744A1748	Cable retainer x2
2	4720H1561	Long pin x2, M5
3	4715A5371	Pulley & bearing, x4, M10
4	1204B1081	Cotter pin, x2, M10
5	4720E2371	Guide channel
	4738A0898	Bolt x4
	1201B6038	Hex nut x4
6	4710A4248	Bushing
7	4720B2418	Plate
8	4720A2421	Thrust bearing
9	4720B2388	Thrust nut
10	4720B2408	Retainer
11	4720D1221	Coupling
12	4720B1481	Roll pin, M10
13	4741B8408	Bearing (front cross channel)
	1200B3048	Bolt x2
	1202B0468	Washer x2
	1201B6068	Nut x2
14	4730B3848	Sprocket (12 tooth)
15	4751-1691	Whiffletree extension
16	4730B3381	Roll pin x1, 2" long, M6
17	4744A1301	Shear pin, M10
18	4744-4451	Screw eye x4, M4
	1201B6078	5/16" Locknut x8
19	4730D1291	Screw socket x1 (welded to cross channel)
20	4720-1551	Pulley plate
21	4715C5661	Pulley spacer

# 1993 Seneca XL

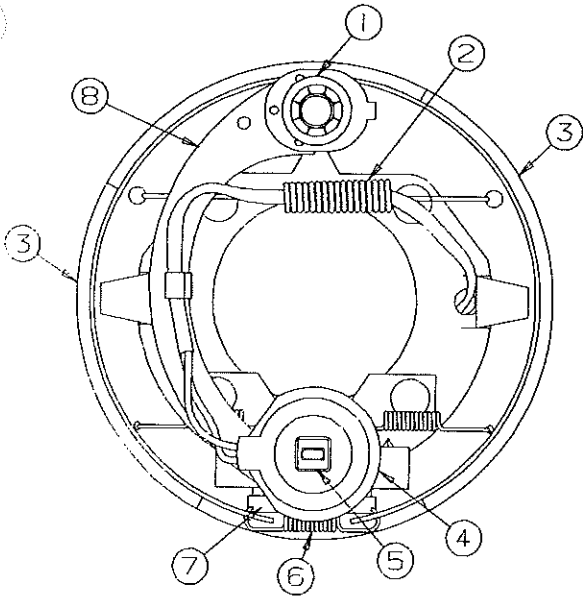
## PIONEER SERIES



### **AXLE & SPRING COMPONENTS**

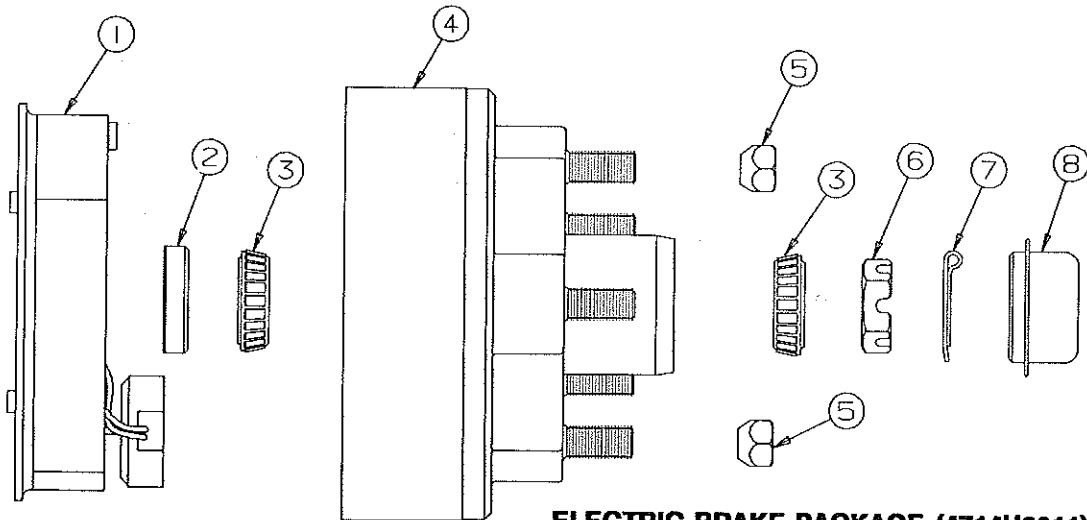
<b>CODE</b>	<b>PART NO.</b>	<b>DESCRIPTION</b>
1	4730L3011	Axle assembly, (complete) w/electric brakes
2	4741-8458	U-Bolt plate
3	4741-9358	U-Bolt nut
4	4741A8438	U-Bolt
5	4737A1318	Shackle bolt
	4741-9498	Shackle bolt nut
6	4741B3398	Spring shackle (front)
7	4735C2201	Leaf spring, 3 leaf
8	4741A3398	Spring shackle (rear)
9	4741-8461	Spring pad channel, M2

# REPAIR PARTS



## ELECTRIC BRAKE COMPONENTS

CODE	PART NO.	DESCRIPTION
1	4714A2461	Anchor post clip x2, M2
2	4714A2411	Retractor spring
3	4714B2071	Brake shoes (primary & secondary)
4	4714D2451	Magnet package (white wires) (includes: 1 magnet, 1 spring & 1 retainer clip)
5	4714B2471	Retainer clip, M2
6	4714A2101	Adjusting screw spring
7	4714A2041	Adjusting screw
8	4714A2841	Actuating lever arm package (includes: Right hand & Left hand arms)
9	4714B2421	Magnet housing spring (not shown)

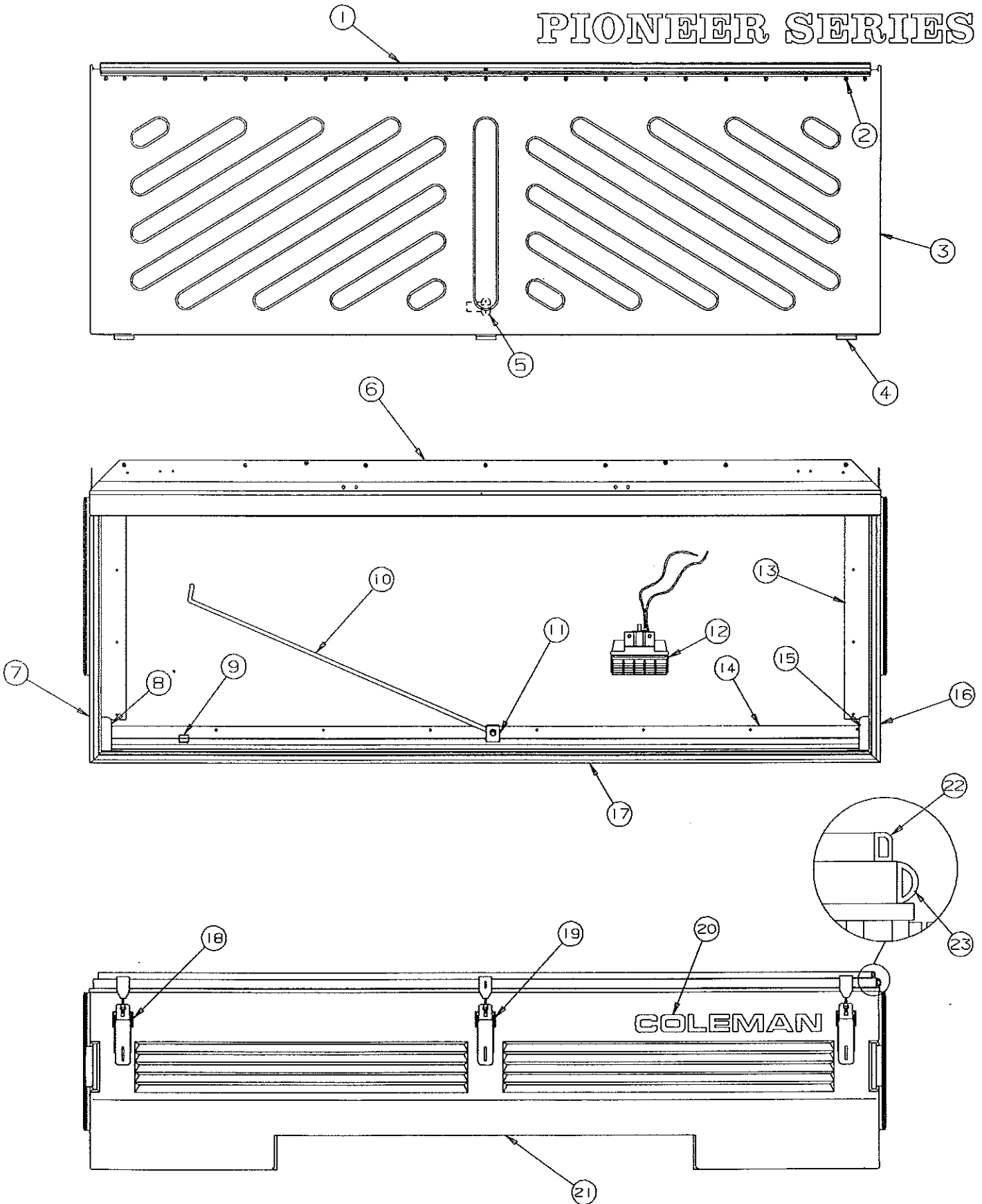


## ELECTRIC BRAKE PACKAGE (4714H2011)

CODE	PART NO.	DESCRIPTION
1	4733A3521	Brake assy (right hand)
	4733A3531	Brake assy (left hand)
2	4714A2201	Grease seal x2, M4 (Fleetwood axle only)
	4714-2288	Grease seal x2 (Dexter axle only)
3	4716-1101	Bearing & race package x4
4	4716A1071	Hub & drum assy x2
5	4747A9528	Lug nut x10 (per brake pkg)
6	4714-3068	Spindle nut, (slotted) x2
7	1204-1268	Cotter pin x2
8	4714-0621	Grease cap x2, M4

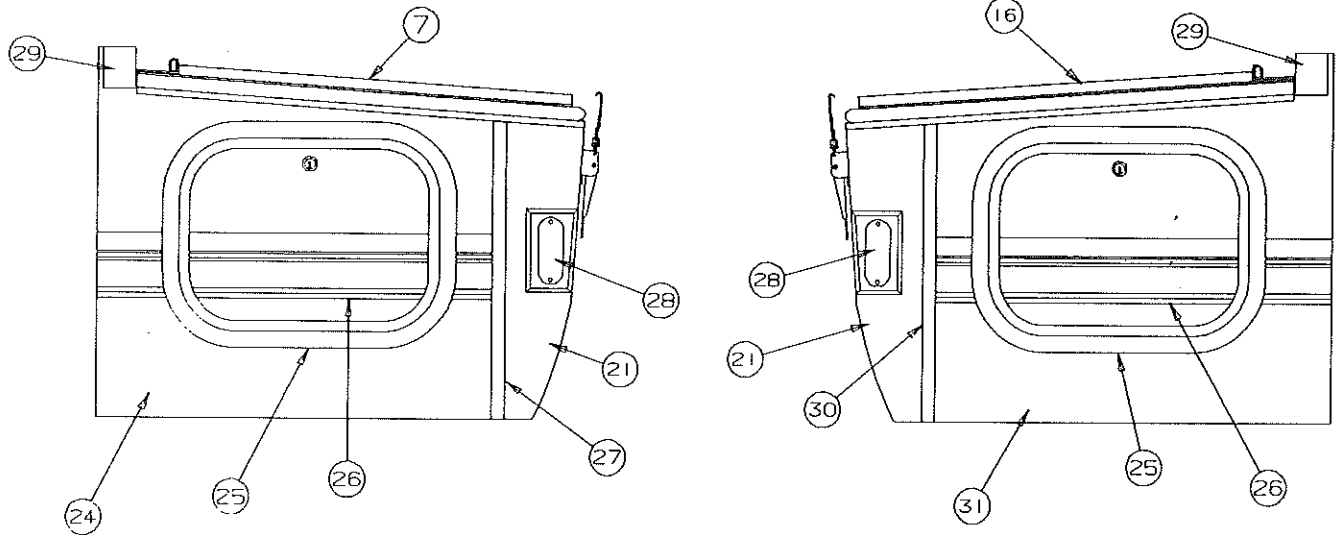
# 1993 Seneca XL

PIONEER SERIES





# REPAIR PARTS

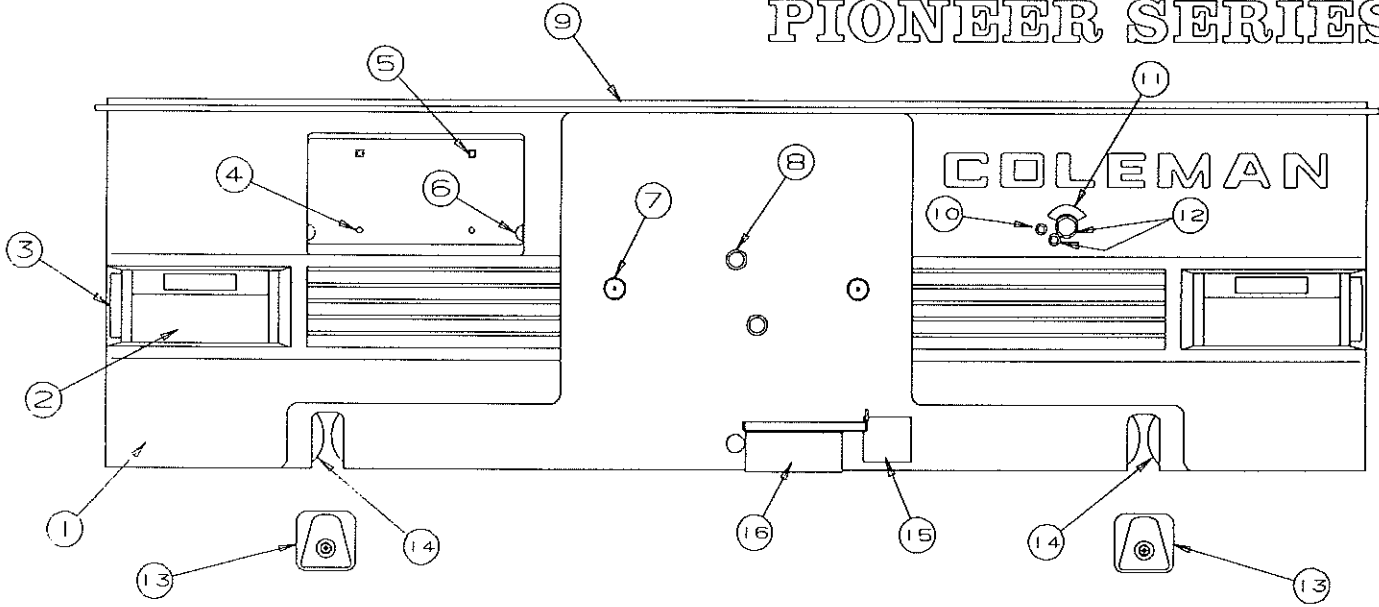


## FRONT STORAGE AREA COMPONENT PARTS - 2740XL

CODE	PART NO.	DESCRIPTION
1	4751-2441	Lid hinge (plastic)
	4751-2431	Hinge angle (not shown)
2	4751-1551	Rivet x21 "arctic white", M25
3	4751A5321	Lid assembly (complete w/hinge & hardware)
4	4749B1441	Latch strike x3, M2
	4751-1248	Backing plate x3
	4751-1551	Rivet x2 per strike, M25
5	4746C0701	Support bracket
	4745-3968	Screw x2 "arctic white"
6	4751-2821	End rail/rain gutter
7	4751-0971	Curbside cap
	1103E1018	Screw x4
8	4751-2731	Curbside light cover
9	4720A0721	Cooler clip x1, M2
	4737-8488	Screw x2
10	4751-1181	Prop rod
	4751-1208	Push nut
11	4751-1191	Prop rod bracket
	4737-8488	Screw x2
12	4751-0921	Cargo light
	1203-8951	Rivet x2
13	4751-109	Angle x2
14	4751A261	Front angle
15	4751-2641	Roadside light cover
16	4751-0961	Roadside cap
	1103E1018	Screw x4
17	4751A0951	Front cap
	1103E1018	Screw x9
18	4741C6041	Top latch x2 "w/o lock"
	4745-3968	Screw x4 "arctic white"
19	4715F5051	Top latch x1 "w/lock"
20	4745B1908	Coleman logo
21	4751-5711	Front body panel assembly
22	406000025F	Lid seal - sold/foot, 17' required
23	406000027F	"D" seal - sold/foot, 11' required
24	4751-5731	Storage compartment side "curbside"
25	4751-0981	Storage compartment door
	4750-2961	Lock assembly (less key)
	4716-0091	Key, M2
26	4350001397F	Trim tape (2 1/2' required)
	4350001395F	Pin stripe (2 1/2' required)
27	4751-2661	Panel joint "curbside"
28	4714G08481	Amber lens & base
	4750-3748	Marker light gasket
29	4751-2471	Trim angle x2
30	4751-2671	Panel joint "roadside"
31	4751-5741	Storage compartment side "roadside"

# 1993 Seneca XL

## PIONEER SERIES



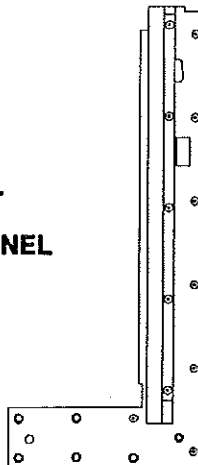
### REAR BODY PANEL ASSEMBLY COMPONENTS

NOTE: All panels are shipped less hardware & decals.

CODE	PART NO.	DESCRIPTION
1	4751-2261	Rear body panel
2	4749A4321	Taillight assembly
	4716-1041	Taillight lens (only)
	4747-2558	Expansion rivet x4
3	4714G08581	Red lens & base x2
	4745-3968	Screw "arctic white" x2 per light
	4714-3701	Bulb, M4 (#194)
	4733G1311	Socket & harness, x1 per light
	4737A0728	Black rubber bumper x2
4	4732-1181	Plastic grommet, M4
	1121C1618	License plate screw x2
6	4739B4311	License plate light x2
	4751-2391	Spare tire rubber bumper x2
7	1203C8751	Steel rivet, M25
	4744B8598	Hole plug x2
9	4737C8811	Rear end rail
	4741B1578	Body panel clip x2 per panel
	1203-8641	Rivet, M50, x1 per clip
10	4724-2608	Recessed bumper
	4716-065	"SS" screw x1
11	4730H3188	Open decal
12	4744-3118	1" plastic bushing
	4751-3048	5/8" rubber grommet
13	4744B5571	Bumper pad assembly
	1200B3038	Bolt - (bolt pad to frame)
14	4737B4458	Frame gasket x2
15	4751-2498	Lock/unlock decal
16	4751-5451	Safety latch assembly

ALL COMPONENT PARTS THE SAME ON FRONT & REAR

4733J50681  
BULKHEAD ASSY.  
(COMPLETE)  
RIGHT FRONT PANEL



4734E057  
DOOR SEAL

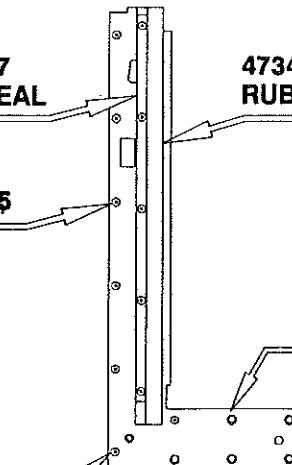
4733D0601  
RIVET, M25

1203-8978  
COUNTERSUNK RIVET

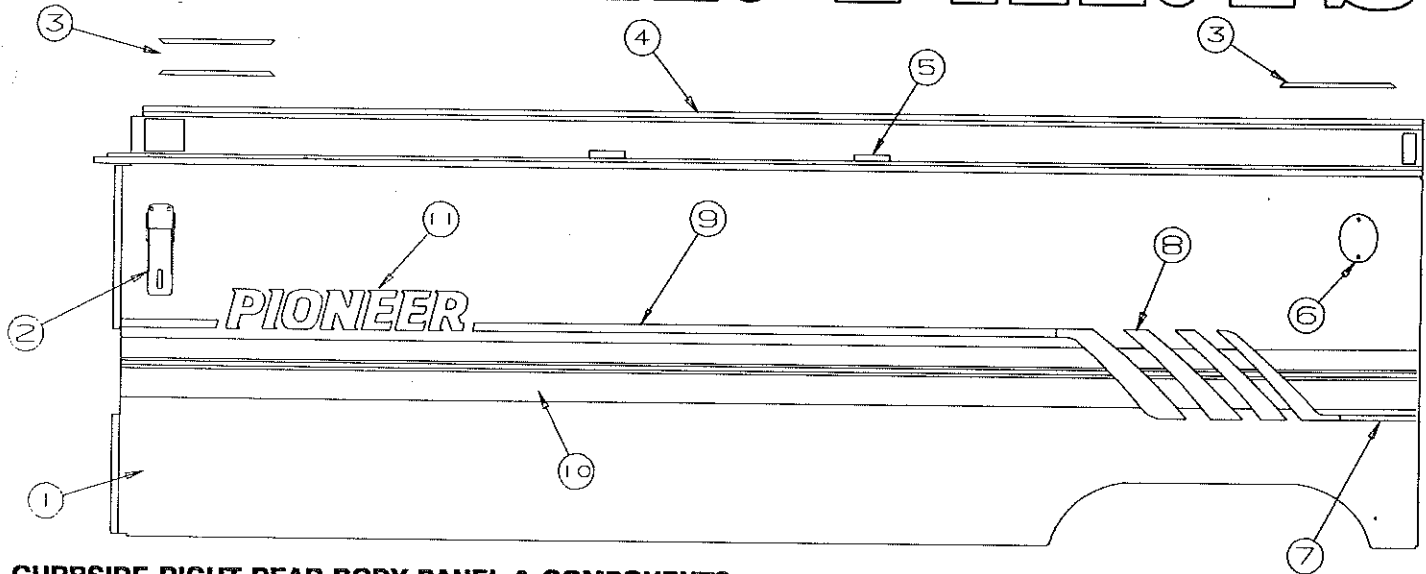
4734C3371  
RUBBER DOOR SEAL

4733J50581  
BULKHEAD ASSY.  
(COMPLETE)  
RIGHT REAR PANEL

4744A050  
TEK SCREW



# REPAIR PARTS



## CURBSIDE RIGHT REAR BODY PANEL & COMPONENTS

Note: All panels are shipped less trim tape & decals

2700 Pioneer Series Body Panel Repair Kit

4716E2101 Curbside Body Panel Hardware & Trim Tape Kit

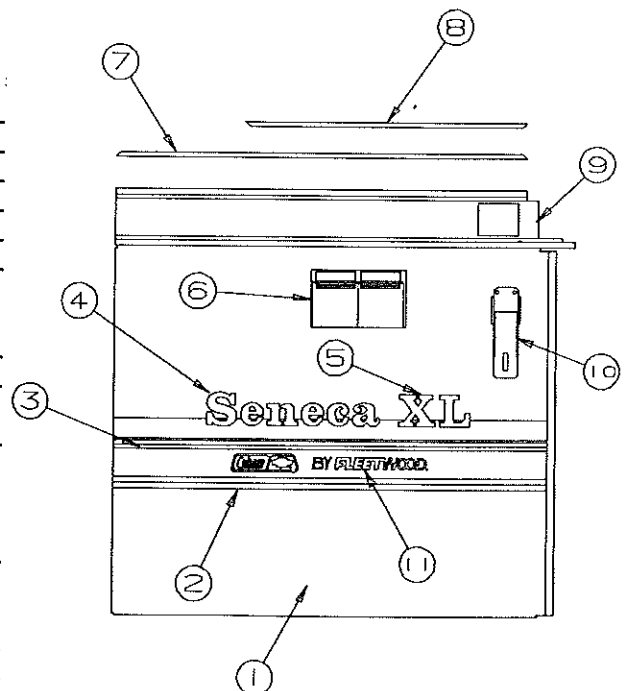
CODE	PART NO.	DESCRIPTION
1	4751-1661	Body panel
2	4741C6041	Top latch w/o lock
	4749-4848	Foam pad
	4741-8218	Hex head tek screw
3	4737-0738	Bed slide, 6 3/16", x3
	4350000093F	1/2" Double stick tape (sold/foot)

4	4751-163	Body rail
	1203-8641	Rivet, M50 (rail to panel)
	4723B8071	Velcro hook 2"x2"
	4724G26731	Velcro hook 3/4" x 2"
	4710-3621	Roll pin, M10
5	4734D3051	Stove bracket x2
	4734F1861	Rivet, M25
6	4733-2818	RVIA tag
	1203-8678	Rivet x2
7	4350001396F	Pin stripe "narrow" 1' required
8	4748A8928	Die cut "curbside"
9	4350001395F	Pin stripe "wide" 5 1/2' required
10	4350001397F	Trim tape 7' required
11	4746A9808	Pioneer logo

## CURBSIDE RIGHT FRONT BODY PANEL & COMPONENTS

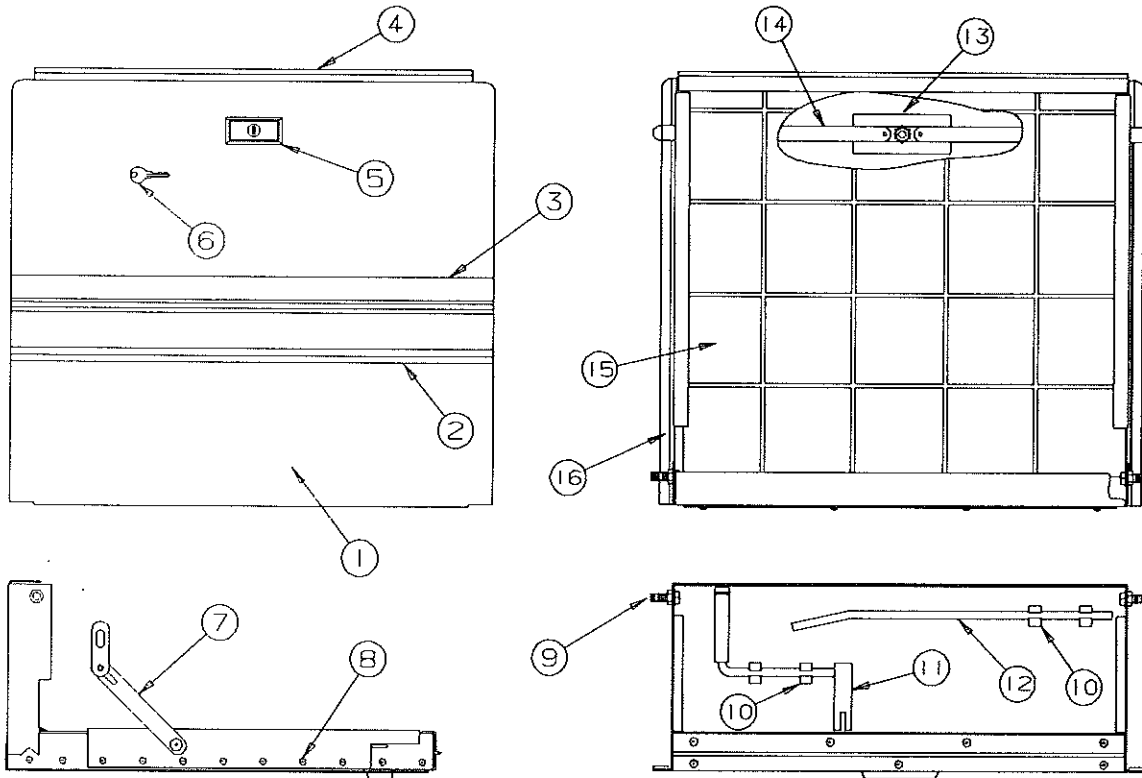
Note: All panels are shipped less trim tape & decals

CODE	PART NO.	DESCRIPTION
1	4751-1641	Body panel
2	4350001396F	Pin stripe "narrow" 3' required
3	4350001397F	Trim tape 3' required
4	4748-9878	Seneca decal
5	4751-2748	XL decal
6	4746A3881	Duplex cover & outlet
	4746-3871	Duplex box
	1203-8678	Rivet x4
7	4751-2121	Bed slide, 24"
8	4730B1211	Bed slide, 16 3/16"
	4350000093F	1/2" Double stick tape (sold/foot)
9	4751-161	Body rail
	1203-8641	Rivet, M50 (rail to panel)
	4723B8071	Velcro hook 2" x 2"
	4724G2631	Velcro hook 3/4" x 2"
10	4715F5051	Top latch (with lock)
	4749-4848	Foam pad
	4741-8218	Hex head tek screw x4
11	4749A9408	Coleman/Fleetwood decal



# 1993 Seneca XL

## PIONEER SERIES

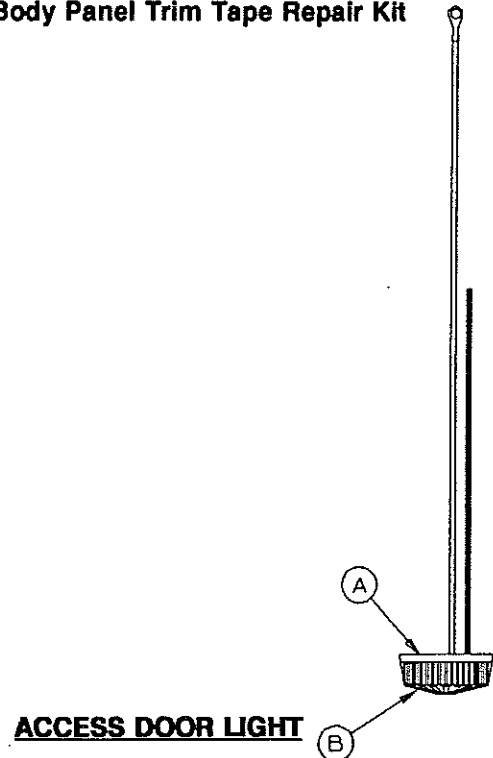


### 4739L6541 - ACCESS DOOR ASSEMBLY COMPLETE - 2740XL

CODE	PART NO.	DESCRIPTION
1	4741F03281	Access door skin
2	4350001396F	Trim stripe, 3 ft.
3	4350001397F	Trim tape, 3 ft
4	4731E2338	Access door cap
	1203-8641	Rivet x8, M50
5	4730B3111	Lock handle (less key)
	4716-056	Screw x2
	1201B6958	Keys nuts x2
6	4730A3211	Access door key, M10
7	4744-6981	Swing arm assembly
	1203C8721	Rivet, M25
	1202B0468	Washer
8	4733D0601	Rivet x22, M25
9	1006B2428	Bolt x2
	1202B0468	Washer x2
	1201B5188	Nut x2
10	4734-2431	Snap clip, M4
	4733-4118	Tek screw
11	4747C4141	Crank handle
12	4749-1861	Stabilizer handle
13	4741-1438	Reinforcement plate
14	4741-6551	Lock bar assembly
15	4731R22981	Floor covering
16	4060025006F	Foam tape
17	4745-3908	Caulking (arctic white) (not shown)

### 2700 Series Pioneer Body Panel Repair Kit

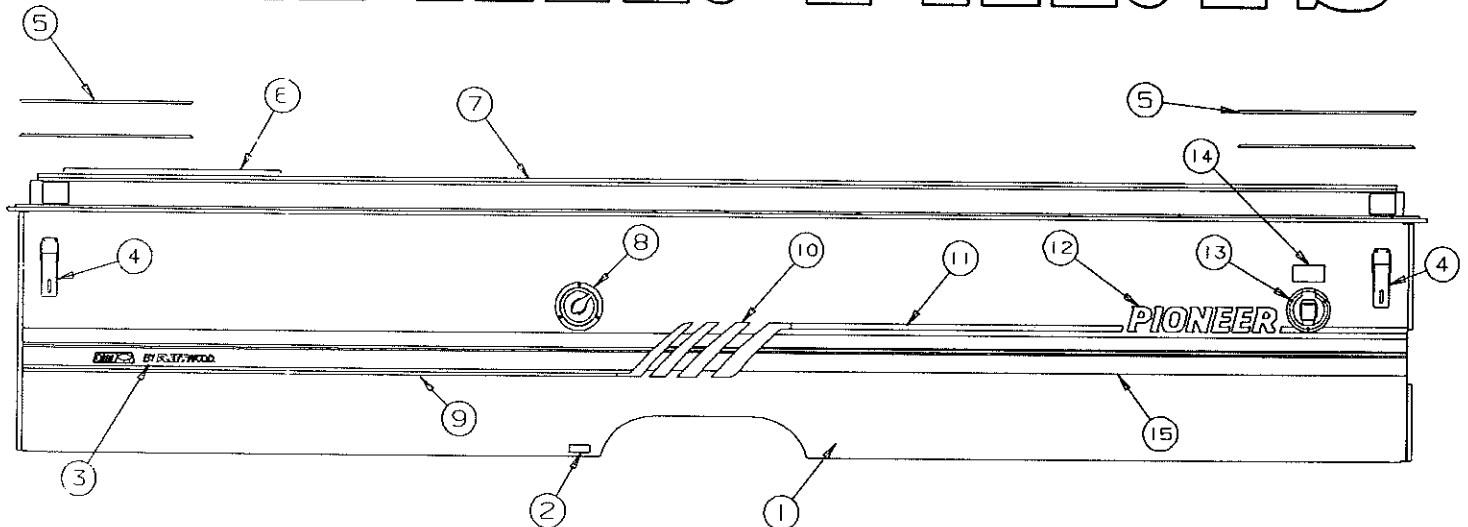
#### 4716E2101 Right Rear/Right Front/Access Door Body Panel Trim Tape Repair Kit



#### ACCESS DOOR LIGHT

A	4737B5901	Light assembly
B	4714A0951	Light lens

# REPAIR PARTS



## ROADSIDE LEFT BODY PANEL & COMPONENTS

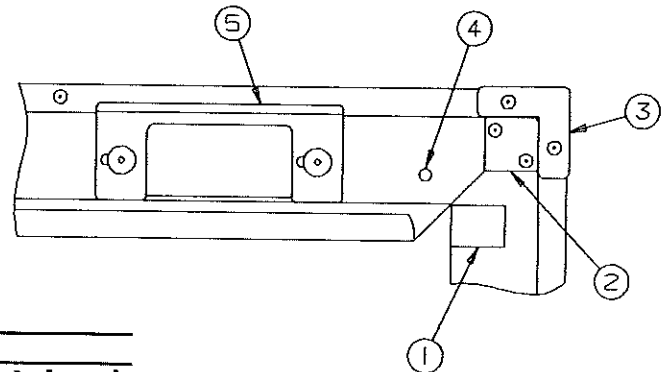
NOTE: All panels are shipped less trim tape & decals.

### 4716E2111 Roadside Body Panel Hardware & Trim Tape Kit

CODE	PART NO.	DESCRIPTION
1	4751-1651	Left side body panel
2	4744B2668	Drain decal
✓ 3	4749A9408	Coleman/Fleetwood decal
4	4741C6041	Top latch (w/o lock)
	4749-4848	Foam pad
	4741-8218	Hex head tek screw x4
5	4730B1211	Bed slide 16 3/16" - x4
	4350000093F	1/2" Double stick tape (sold/foot)
6	4737B2211	Drape track 36"
	1203-8951	Rivet x3, M25
7	4751-162	Body rail
	4723B8071	Velcro hook 2" x 2"
8	4732F15281	City fill
	4741-3508	Hex head screw x3
✓ 9	4350001396F	Pin stripe "narrow" 6' required
✓ 10	4748A8938	Die cut "roadside"
✓ 11	4350001395F	Pin stripe "wide" 6' required
✓ 12	4746A9808	Pioneer logo
13	4733B23361	Cable hatch (power cord)
	4741-3508	Hex head screw x3
14	4745A9948	30 AMP decal
15	4350001397F	Trim tape, 11' required

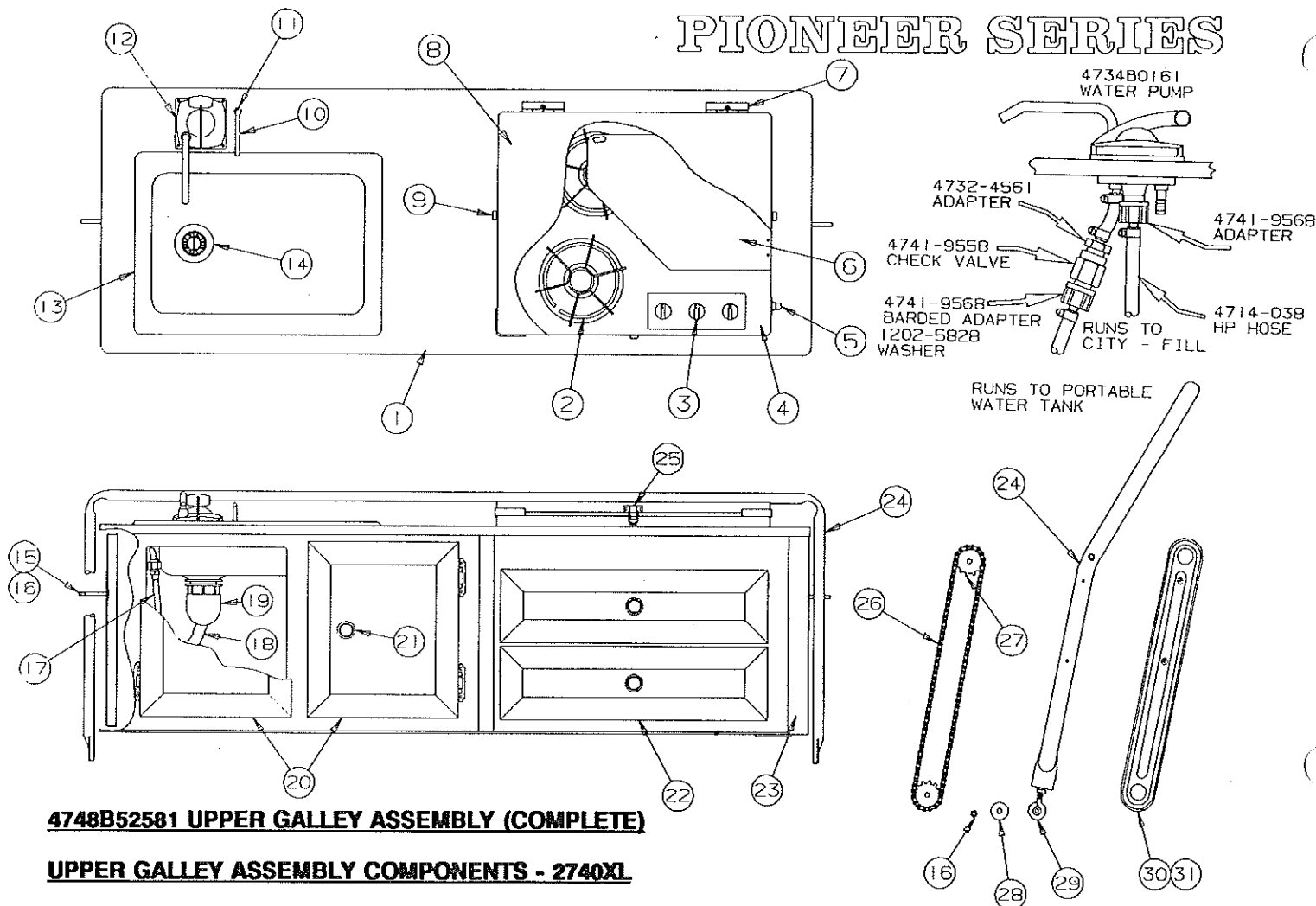
## LIFT TRIM & MITER COVERS

CODE	PART NO.	DESCRIPTION
1	4747-2171	Bug hole patch
2	4716B9111	Inner miter cover, M4
	4747-2558	Rivet x1
3	4716C9101	Outer miter cover, M4
	4747-2558	Rivet x2
4	4741-8218	Screw
5	4734B4121	Lift trim
	4747-8651	Foam tape, M4 (under lift trim)
	1203-8831	Rivet x2, M25
6	4710-3621	Roll pin x4, M10 (not shown)
7	4716-081	Screw (to hold tent section in place) (not shown)
8	4723B8071	Velcro hook 2" x 2" square (not shown)



# 1993 Seneca XL

## PIONEER SERIES



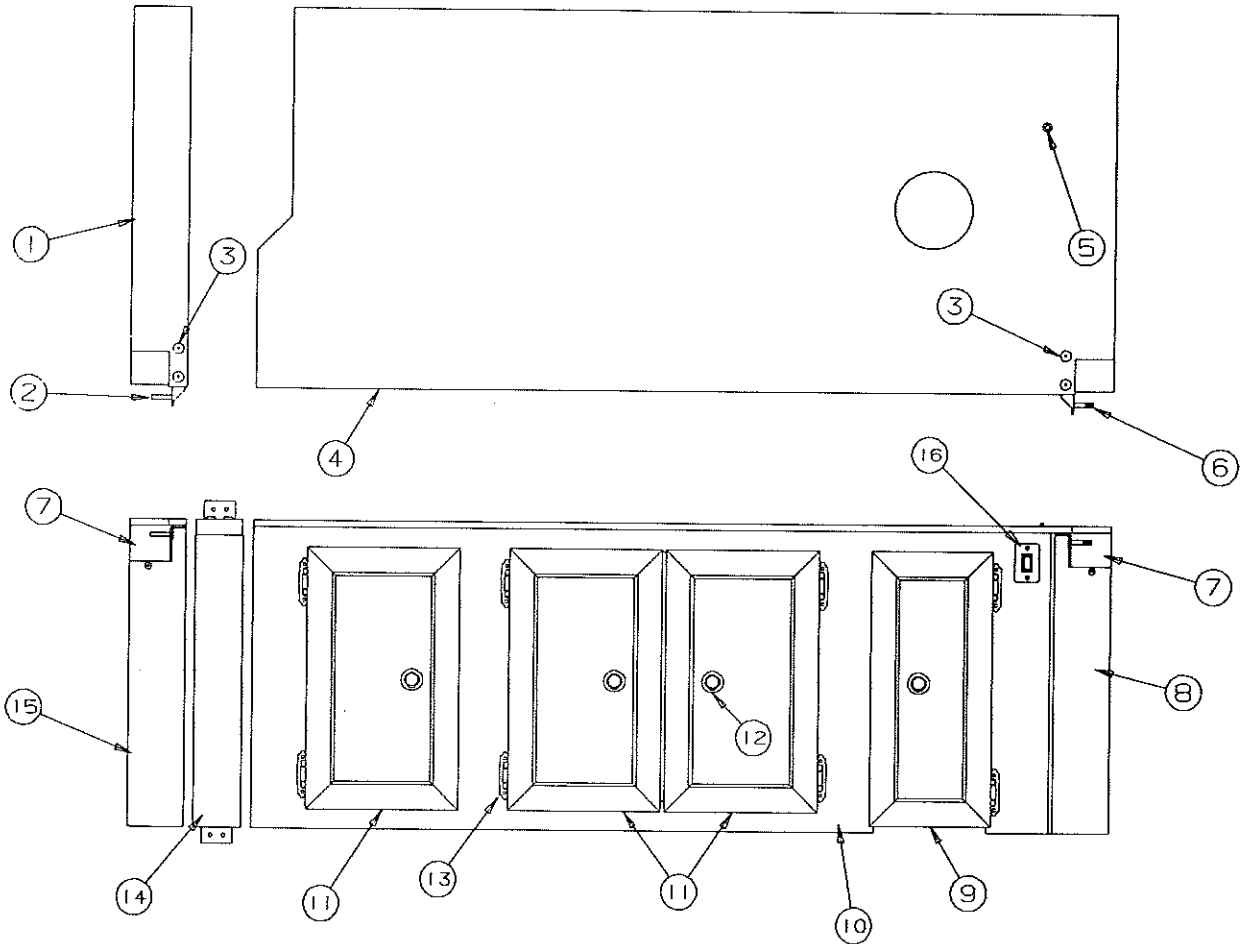
### 4748B52581 UPPER GALLEY ASSEMBLY (COMPLETE)

### UPPER GALLEY ASSEMBLY COMPONENTS - 2740XL

CODE	PART NO.	DESCRIPTION
1	4748B42681	Upper galley top
	4716A179	T-Molding 3/4" (green)
<b>NOTE: Upper galley top includes T-Molding</b>		
2	4716-1851	Grate x3
3	4716-1861	Knob x3
4	4744D2401	3 Burner stove top
5	1226D1538	Stove fin latch
	1203-8678	Rivet x2
6	4741F4131	Stove fin
	4741A4401	Hinge - brite chrome x2
	1203-8558	Rivet x4 per hinge
7	4739A2821	Hinge x2
8	4741E6031	Stove cover
9	4716A0881	Thumb screw, M6
10	4748-9071	Pump hold down bar & bracket
	4737-8478	Screw x3
11	4742-8701	Flange bushing (plastic) M4
12	4734B0161	Water pump
	4716-081	Screw x4
13	4710F0301	Sink
14	4714B0661	Crumb cup
	4730D3151	Crumb cup basket
15	4748-5151	Upper galley angle x2
	4734E1861	Rivet "elm", M25
16	1201B6038	Locknut

17	4730A3431	Gas hose (flexible)
18	4742A8781	Drain hose sold/5' lengths
19	4734A0671	Drain trap, M2
20	4750-5641	Door panel x2
21	4748-3951	Door pull (includes screw)
22	4750-5651	Drawer assembly x2
23	4748A8561	Galley corner x4 (plastic)
24	4750-2691	Galley lift bar
25	4733-4018	Stove latch
	1203-8558	Rivet x2
	4733-4028	Latch strike
26	4744-6321	Galley chain x2
27	4737A9238	Sprocket (x2 per side)
28	1202B2528	Washer x2
29	4744-4451	Eye bolt, M4 (less bushing)
	4744-9211	Bushing, M2
30	4744C08181	Galley chain cover (left)
31	4744C14781	Galley chain cover (right)

# REPAIR PARTS

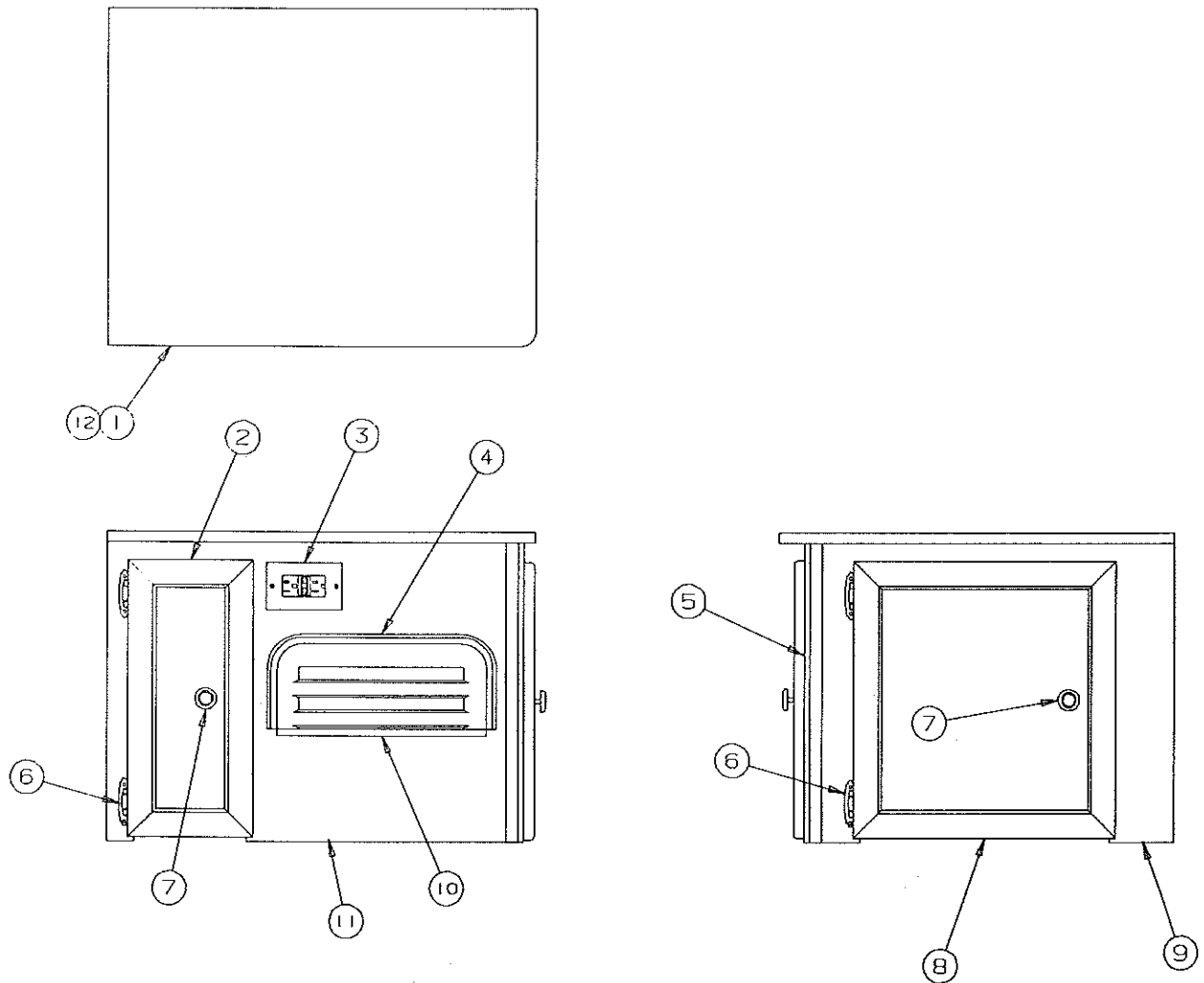


## LOWER GALLEY COMPONENT PARTS - 2740XL

CODE	PART NO.	DESCRIPTION
1	4750-2781	Lower galley top (small)
2	4744D53381	Lower galley bracket (left)
3	4744B4608	Rivet (elm) x2
4	4748C4451	Lower galley top (large)
5	4746A0971	Kill switch
	4735-2948	Kill switch plate
	4716-075	Screw x2
6	4744D53281	Lower galley bracket (right)
7	4744D08581	Lower galley filler
8	4744E11381	Lower galley spacer (right)
9	4746A5501	Door panel x1
10	4751-2901	Lower galley front
11	4749A6211	Door panel x3
12	4748-3951	Door pull (includes screw)
13	4745C26188	Hinge (spring loaded)
	4749B4118	1/2" screw (2 per hinge)
	4749B4598	3/8" screw (3 per hinge)
14	4744F55681	Filler assembly
15	4744E11281	Lower galley spacer (left)
16	4751-1161	Rocker switch "lighted"
	4738-3088	Screw x2

# 1993 Seneca XL

## PIONEER SERIES

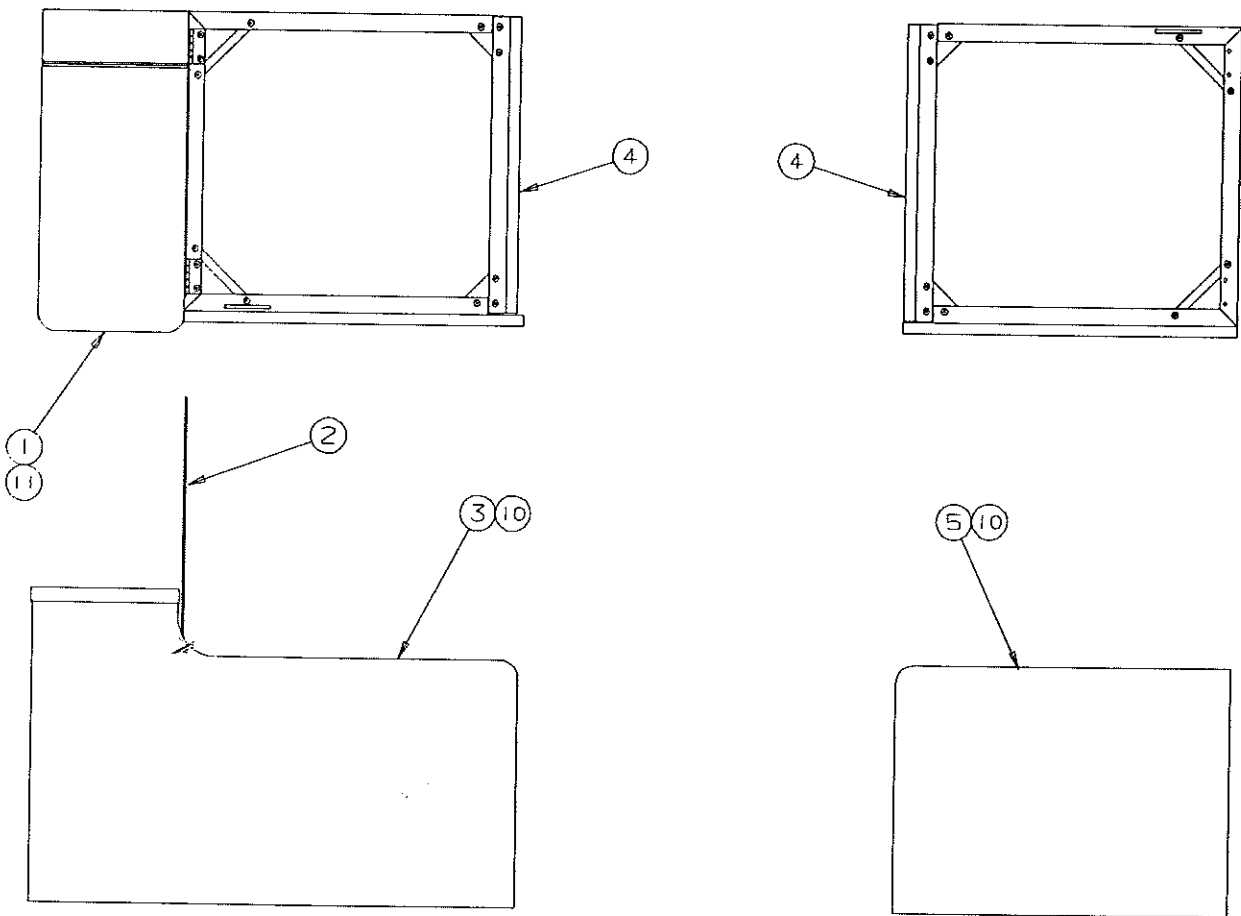


### **CORNER CABINET ASSEMBLY COMPONENT PARTS**

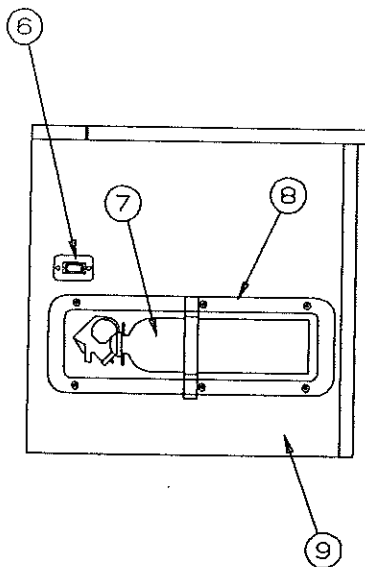
<b>CODE</b>	<b>PART NO.</b>	<b>DESCRIPTION</b>
1	4751-2191	Cabinet top (includes T-molding)
2	4746A5501	Door panel
3	4746B3841	Ground fault receptacle w/cover
	4746A3851	Receptacle box
4	4751-2351	Magazine bin
5	4748-8661	Corner molding (must cut to size)
6	4745C26188	Hinge (spring loaded)
7	4748-3951	Door pull (includes screw)
8	4748-5971	Door panel
9	4751-220	Cabinet front
10	4716-4031	U-Channel 48" pc (must cut to size)
	4751-217	Cabinet side
12	4716A179	T-molding 3/4" (green)



# REPAIR PARTS



## **CURBSIDE SEAT FRAMES & COMPONENTS**



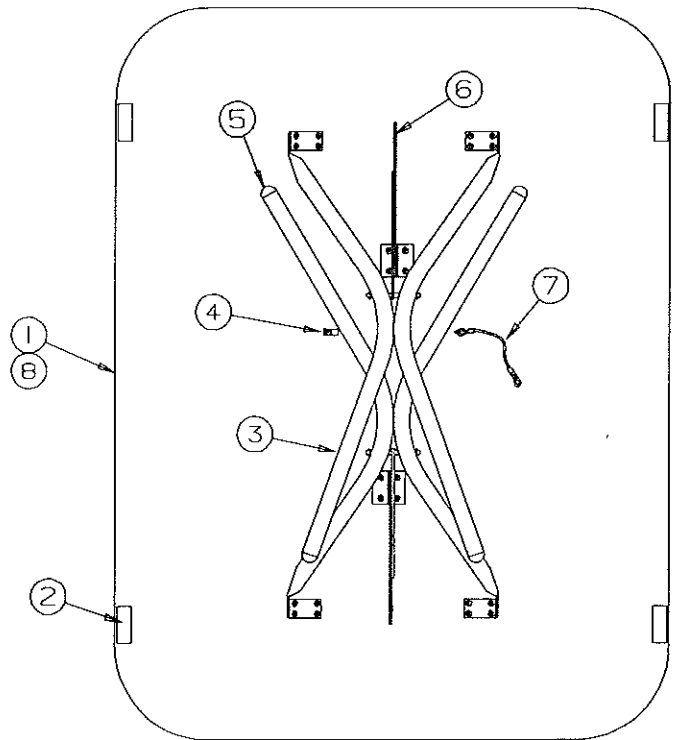
<b>CODE</b>	<b>PART NO.</b>	<b>DESCRIPTION</b>
1	4751-5891	Cabinet top assembly (complete)
2	4748A996	Backrest support
3	4751-2811	Seat end "left" (includes T-molding)
4	4716-6321	Seat frame assembly
5	4746-8091	Seat end "right" (includes T-molding)
6	4733A4981	Rocker switch
	4738-3088	Screw x2
7	4737A5558	Fire extinguisher
8	4737B4198	Recessed mount
	4738-3088	Screw x6
9	4751-2801	Cabinet side
10	4716A178	Elm T-molding 3/4"
11	4716A179	Green T-molding 3/4"

# 1993 Seneca XL

## PIONEER SERIES

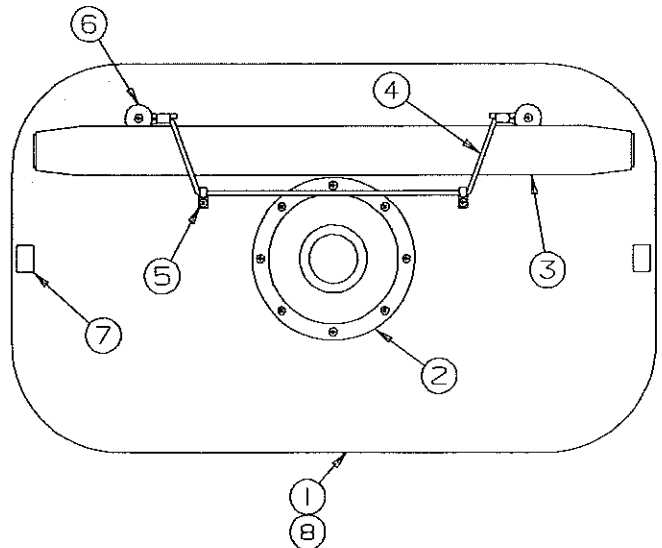
### DINETTE TABLE ASSEMBLY

CODE	PART NO.	DESCRIPTION
1	4744B45281	Table top, 39 5/8" x 30"
<b>NOTE: Table top includes T-molding</b>		
2	4724D2631	Velcro hook x4
	4724E2631	Velcro loop x4, M4
3	4745A52781	Table leg, M2
4	4720D4021	Lashing hook, M6
	4737-8488	Screw
5	4720C3928	Table leg cap (plastic)
6	4720A1501	Lock brace pkg.
	4737-8488	Screw
7	4720B5951	Table strap, M4
8	4716A179	T-molding (green)

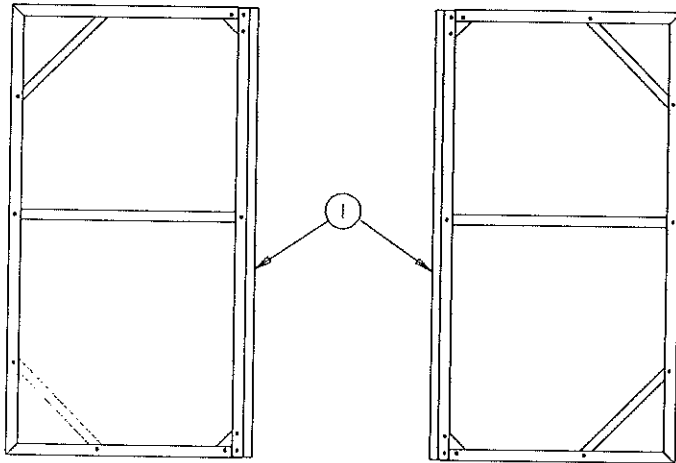


### PEDESTAL TABLE COMPONENT PARTS

CODE	PART NO.	DESCRIPTION
1	4746-8141	Table top, 27 3/4" x 17 7/8"
<b>NOTE: Table top includes T-molding</b>		
2	4746-8211	Standard base
	1114B1018	Countersunk screw x8
	4746-8191	Recessed mount (located on floor)
3	4746-8201	Pedestal leg
4	4716-0891	Shock cord assy.
5	4720D4021	Lashing hook, M6
	4737-8488	Screw x2
6	1202B2528	Washer x2
	4737-8488	Screw x2
7	4724D2631	Velcro hook x2
	4724E2631	Velcro loop x2, M4
8	4716A179	T-molding (green)

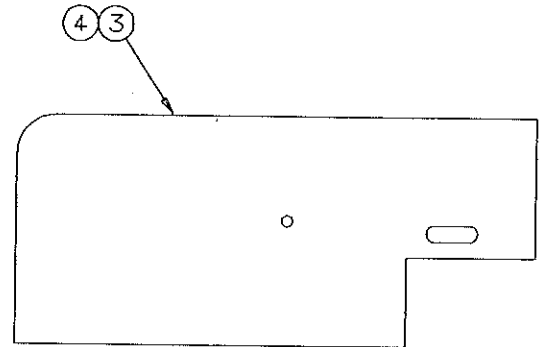
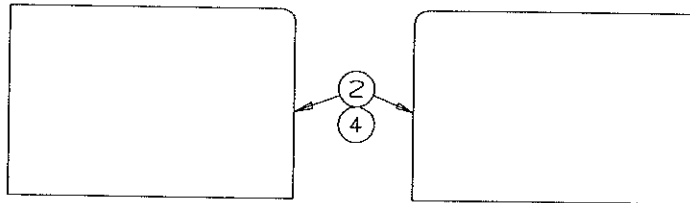


# REPAIR PARTS



## ROADSIDE SEAT FRAMES & COMPONENTS

CODE	PART NO.	DESCRIPTION
1	4748A5401	Seat frame
2	4748A4601	Seat end (right & left)
3	4750-2831	Seat gazoodi
4	4716A178	T-molding "elm"



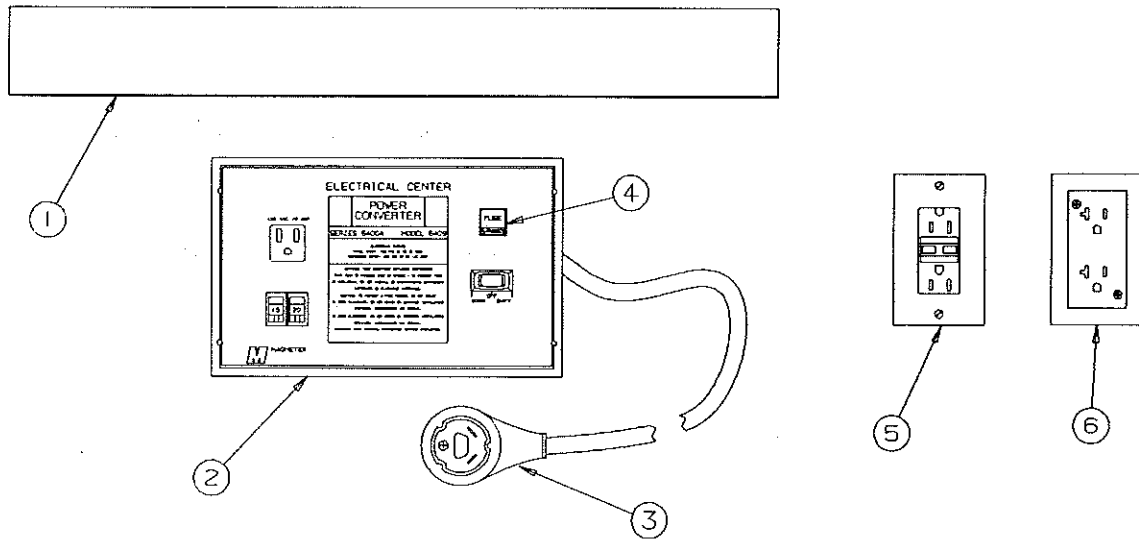
## CUSHION & BACKREST ASSEMBLIES - 2740XL

ROADSIDE CUSHION ASSEMBLY	ROADSIDE CUSHION COVER	ROADSIDE BACKREST ASSEMBLY	ROADSIDE BACKREST COVER
4748A6291	4716A6291	4748A6201	4716A6201

CURBSIDE CUSHION ASSEMBLY	CURBSIDE CUSHION COVER	CURBSIDE BACKREST ASSEMBLY	CURBSIDE BACKREST COVER
4748A6271	4716A6271	4748A6281	4716A6281

# 1993 Seneca XL

## PIONEER SERIES



### CONVERTER AND RELATED PARTS:

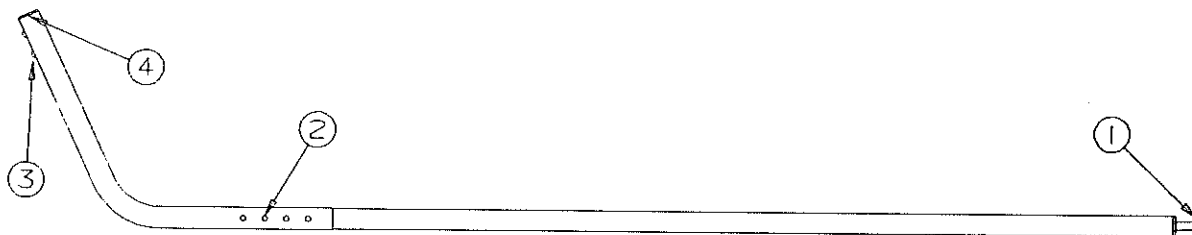
CODE	PART NO.	DESCRIPTION
1	4744F02381	Converter cabinet top
2	4744A4751	Converter 9 AMP (w/receptacle)
3	4744-3101	Power cord, 30 ft.
4	4714-3411	Fuse cap, M4
5	4746B3841	GFI receptacle w/cover (white)
	4746A3851	Receptacle box
6	4746-8981	Receptacle w/cover 20 AMP (white)
	4746A3851	Receptacle box

To order service parts for converters  
please write or phone:

Customer Service Department  
MAGNETEK INC.  
721 North Webster Street  
Kokomo, IN 46901

Phone: 317/452-5444

# REPAIR PARTS



## TENT SUPPORT ASSEMBLIES (COMPLETE)

**MODEL**  
2740

**FRONT BED**  
4741E5581

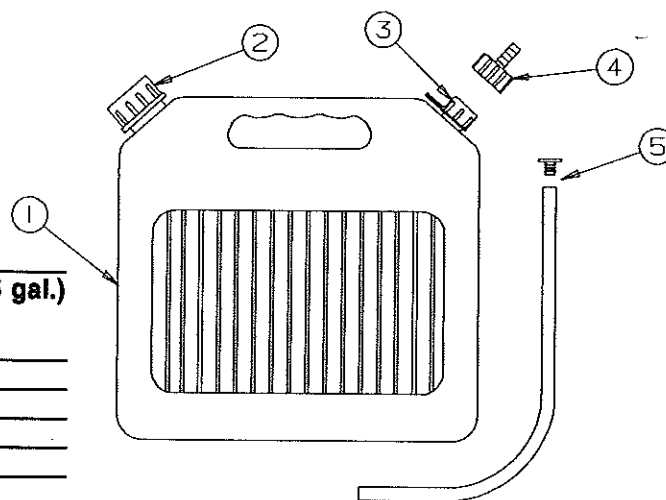
**REAR BED**  
4741D5591

### COMPONENT PARTS:

CODE	PART NO.	DESCRIPTION
1	8470-1728	Pole pin, blue, x1
2	4734-6708	Spring assy x1
3	4734A6708	Spring assy x1
4	4730B4648	Tube closure x1
	4733-4118	Tek screw x1

## PORTABLE WATER SYSTEM - 2740XL

CODE	PART NO.	DESCRIPTION
1	4735-2131	Water tank (complete)(5 gal.)
	4735C0988	Water decal
	4748-8941	Throw-in-tank (5 gallon)
2	4714-0231	Large white cap
3	4714-0221	Small cap w/tie-on
4	4714-0241	Barb stem & collar
5	4714A0671	Suction stem



# 1993 Seneca XL

## PIONEER SERIES

### EVOLUTION III ASSEMBLIES & COMPONENTS

<u>CODE</u>	<u>PART NO.</u>	<u>DESCRIPTION</u>
1	4751-58451	Front boot 2740XL
2	4748A59451	Rear boot 2740XL
3	4748A59351	Large window 2740XL
4	4751-59551	Small window 2740XL
5	4751-59651	Door seal 2740XL
6	4060100056F	Door seal extrusion 48" (rubber)
7	4714D1611	Screen package (84" x 3 yds)
	4714-0361	Screen package (84" x 13 yds)
8	4716A0851	Evolution patch package (12" x 14")
	4716-3301	Evolution patch package (54" x 2 yds)
9	4716-2401	Window vinyl (41" x 2 yds)
10	8119901429	Top vinyl (grey/warm grey back)
11	8119901426	Bottom vinyl (rain forest green)
12	4060000024F	Arrowhead seal
13	4060000055	Vinyl tubing 5/16" dim.
14	8160000320F	Bias binding (grey)
15	6650500130F	Zipper (grey) around windows
16	1225-4461	Zipper pull (grey) (around windows)
17	1225G3478	Zipper pin half (grey) 50 1/2
18	1225G3468	Zipper slider half (grey) 50 1/2
19	4735A6721	Extension harness (wire & plugs)
20	4714B6021	Shock cord & clips, M2 (14')
	4724-2011	Shock cord crimps, M10
21	4743-1588	K Kote seam sealer
22	1226-1228	Brass grommet w/teeth (round)

### DRAPE PACKAGE 2740 SENECA XL

<u>Drape Pkg</u>	<u>Drape Panels</u>	<u>No. of Color</u>
4751-5931	5	Green

### Component Parts

4750-2891      Drape Tab C-Shape, M60

### DRAPE TIE PKG (Qty 1)

4716-1141      Drape tie

### SINGLE DRAPE PANEL W/SAFETY STRAP

4716D0421      Single Drape Panel

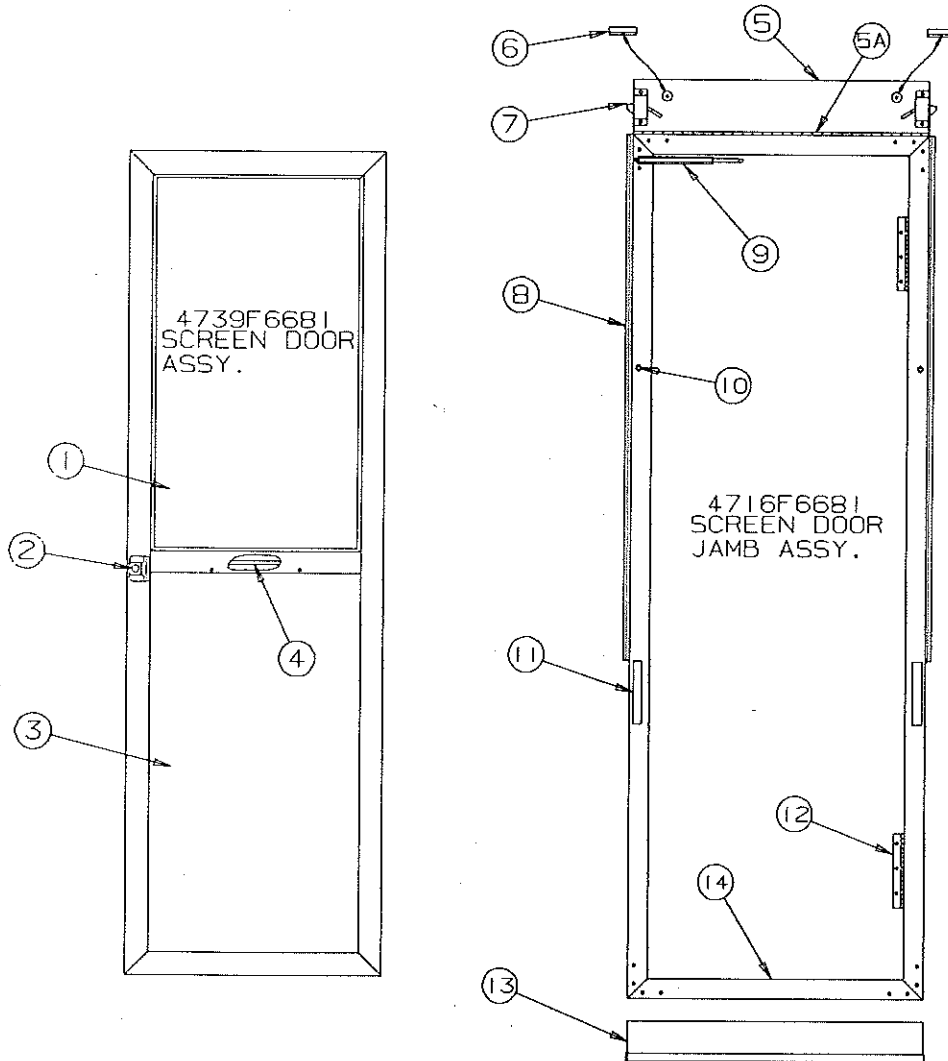
### VALANCE PACKAGE

4716-3051

### PANELING AND TRIM

4714E4501	Universal wall panel (48 x 18 3/16) Greenbriar oak
4716-2241	Universal wall panel (48 x 18 3/16) Desert plain
4714D2911	Corner divider (Desert plain) M5
4714D2921	Panel divider (Desert plain) M5, 17 3/4"
4714D2931	Toe molding (Desert plain) M2, 48" lengths
4714E2911	Corner Divider (Greenbriar oak) M5, 17 3/4"
4714E2921	Panel divider (Greenbriar oak) M5, 17 3/4"
4714E2931	Toe molding (Elm) M2, 48" lengths

# REPAIR PARTS



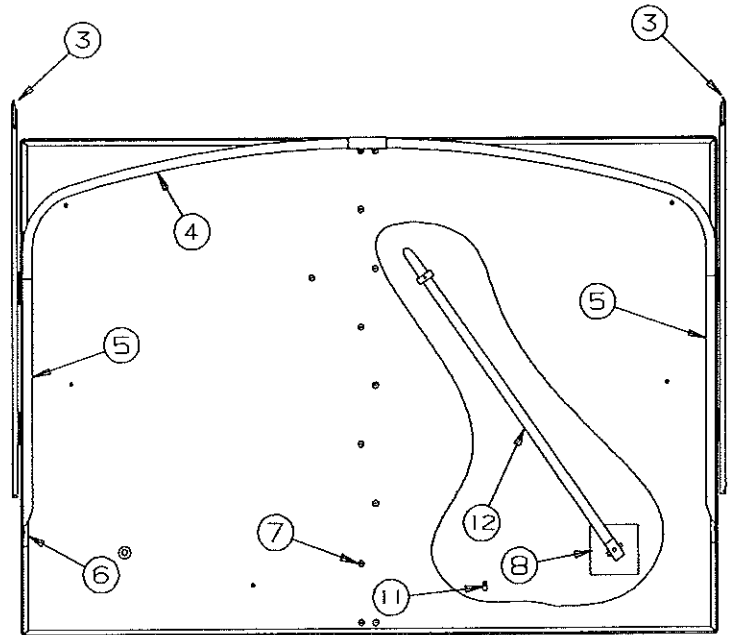
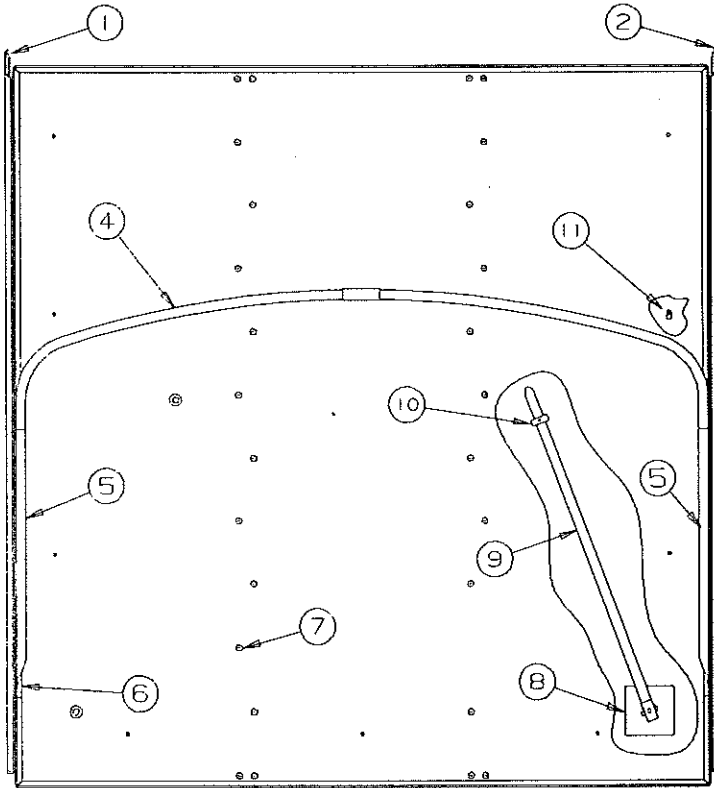
## SCREEN DOOR AND JAMB ASSEMBLY

4739F6681 Screen door assembly  
 4716F6681 Screen door jamb assembly

CODE	PART NO.	DESCRIPTION
1	4716-8801	Sliding window pane
2	4742-9671	Door latch package
3	4737C8771	Kick plate
4	4749-8861	Drip seal
5	4741E88381	Top bracket
5A	4749A21581	Top bracket hinge
6	4734D5211	Cable assembly, x2, M6
	4747A9231	Rivet 1", M25
	0322A3308	Brass spacer
	1202B0268	Washer
7	4741-8658	Sash lock x2
	4747A9231	Rivet 1", M25
8	4710H4101	Door seal, 46" long
	1203-8651	Rivet x2, M50
	1203-8631	Rivet x8, M50
9	4731A8201	Spring package
10	4730A3548	Stud w/screw
11	4350000005F	Velcro hook (grey 3/4")
12	4720G3601	Hinge x2
	4733D0601	Rivet x3, M25
13	4741E6221	Screen door support
	4716-069	Screw x4
14	4710H40981	Bottom lintel, unpainted
	1203-8631	Rivet, M50

# 1993 Seneca XL

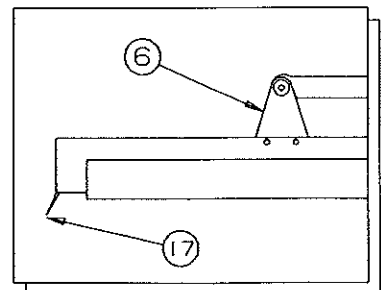
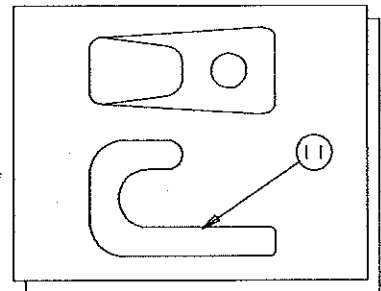
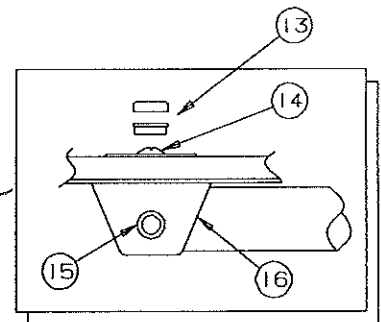
## PIONEER SERIES



4751-5751 Front Bed Assembly "Queen" (complete)  
 4741D6491 Rear Bed Assembly "Double" (complete)

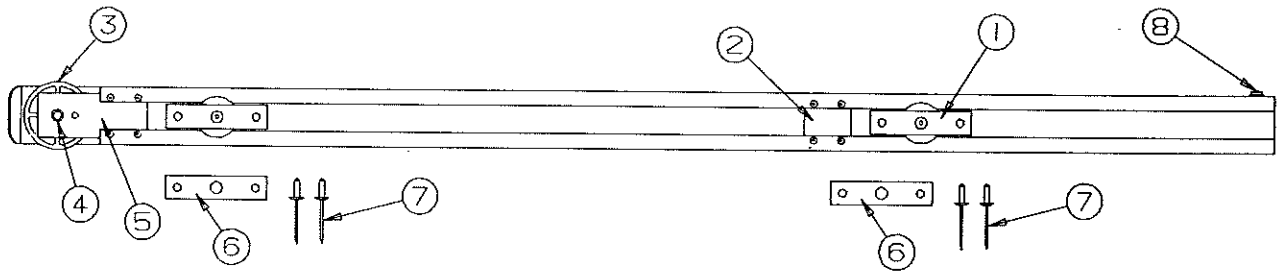
### BED ASSEMBLY COMPONENT PARTS

CODE	PART NO.	DESCRIPTION
1	4744A56781	Bed extension (curbside) <i>FRONT</i>
2	4733C62981	Bed extension (roadside)
3	4739C6191	Bed extension (curbside & roadside)
4	4737F2631	Bed bow assembly
5	4737F2641	Bed bow support x2
	4733-4118	Tex screw
6	4720G5631	Bed bow bracket x2
	1014B1006	Screw
7	1203C8721	Rivet, M25
8	4737A4178	Support plate
9	4733E6351	Bed leg assembly x2
10	4720C0771	Bed leg clip, M4
	1203-8831	Rivet, M25
11	4720D4021	Lashing hook, M6
	1203-8741	Rivet, M25
12	4734D5881	Bed leg assembly x2
13	4739C2908	Screw cap
	4739-2918	Screw cap washer
14	4716-074	Screw
	1202B2528	Washer
15	4720A2361	Rod & pal nut
16	4734A5141	Bed leg bracket
17	4060400339F	Vinyl bed seal (sold/foot)





# REPAIR PARTS



## **BED EXTENSIONS COMPONENT PARTS**

<b>CODE</b>	<b>PART NO.</b>	<b>DESCRIPTION</b>
1	4720C5621	Roller assembly x2
2	4731A1291	Roller stop
	4749-4578	Rivet x4
3	4720B0831	Nylon wheel
4	4731A1288	Shoulder rivet
5	4741-9191	Rivet plate
	4749-4578	Rivet x4
6	4731-4711	Roller spacer x2
7	1203-8651	Rivet, M50 (extension to bed frame)
8	4733-4118	Tek screw
	1202B0268	Washer

## **SENECA XL MATTRESS ASSEMBLIES & COVERS**

### **FRONT MATTRESS**

### **REAR MATTRESS**

<b>Assembly</b>	<b>Cover</b>	<b>Assembly</b>	<b>Cover</b>
4748A6241	4716A6241	4748A6231	4716A6231

# 1993

# Seneca XL

## PIONEER SERIES



4751-5471 Spare Tire Mount Pkg

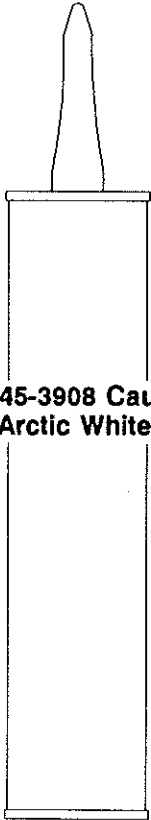


1201C6368  
Locknut



1201B6618  
Lug nut

4745-3908 Caulking  
(Arctic White)



16oz. Spray  
0008-2561  
Arctic White

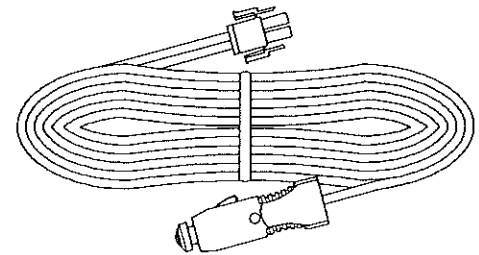
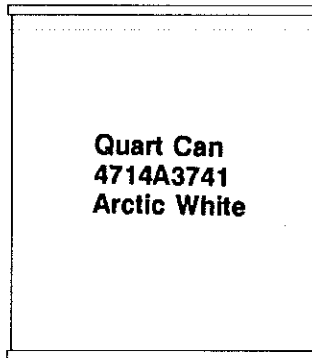
16oz Spray  
0008-2471  
Black

16 oz Spray  
0008-2591  
Elm paint

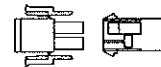
16 oz. Spray  
0008-2571  
Warm grey



Quart Can  
4714A3741  
Arctic White

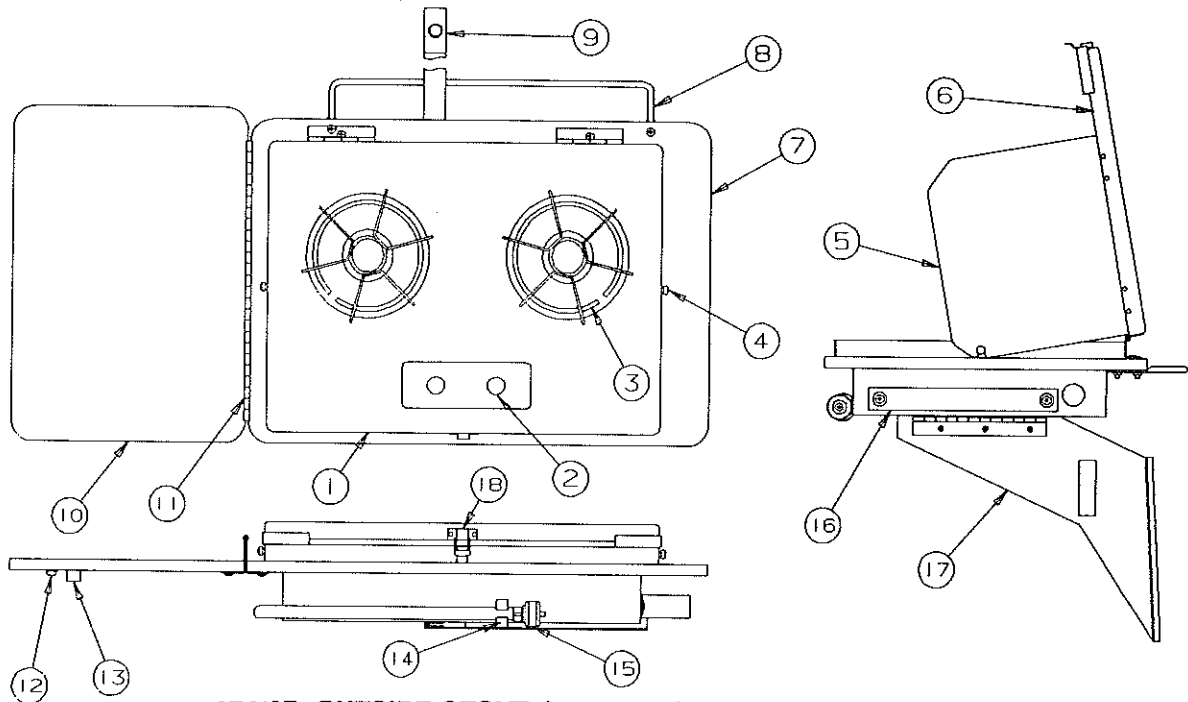


4733C6701  
Auto Extension



4716-4701  
12 Volt Cap & Plug Pkg

# REPAIR PARTS



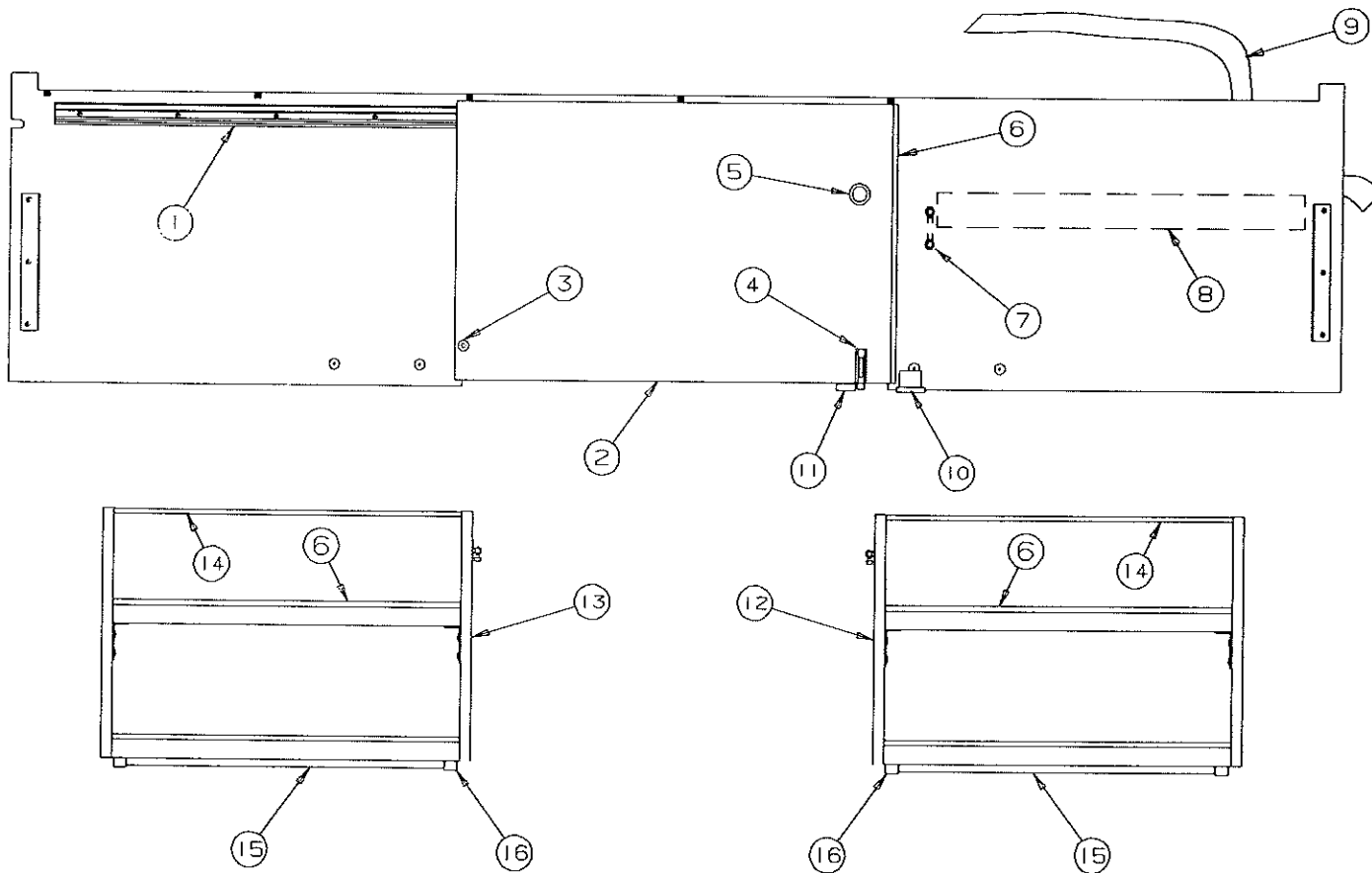
## **2740XL OUTSIDE STOVE (4746-5471) COMPLETE**

### **OUTSIDE STOVE COMPONENT PARTS**

CODE	PART NO.	DESCRIPTION
1	4746-9491	2 Burner stove top
2		(Knob not available)
3	4716-1851	Grate x2
4	4716A0881	Thumb screw x2, M6
5	4749B99381	Stove fin x2
	4741A4401	Hinge x2
6	4749B66081	Stove cover
7	4746-9391	Outside stove top
8	4748-2591	Towel bar
	4716-056	Screw x3
	1201B6958	Nut x3
9	4746-5481	Safety strap assembly
10	4746-9401	Outside stove shelf
11	4746-9381	Hinge x1
12	4730A3548	Stud with screw
13	4710-2681	Stop button, M5
	4716-077	Screw x1
14	4734-2431	Gripper clip x1, M4
15	4746-9891	Gas hose
16	4742-8971	Stove strap handle
	1203-8641	Rivet x2, M25
	1202B2698	Washer
17	4746-9221	Outside stove flap (includes hinge, velcro & adhesive foam pad)
18	4733-4018	Latch x1
	4733B4028	Strike
	1203-8558	Rivet

# 1993 Seneca XL

## PIONEER SERIES



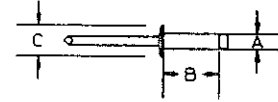
### SLIDING PANTRY AND RELATED PARTS - 2740XL

CODE	PART NO.	DESCRIPTION
1	4716-4021	Door slide track 48" pc.
	4716-075	Screw x9
2	4751-2691	Sliding door panel
3	4710-2681	Stop button, M5
	1034B1612	Screw
4	4751-2131	Bolt latch
5	4748-3951	Door pull
6	4060095605	3/8" U-Channel, colonial white
7	4733-4511	Steel loop
	4744B4608	Rivet x2 "elm"
8	4350000209	2" Velcro loop
9	4751-5761	Stove strap
10	4751-300	Door stop (black plastic)
	4716-069	Screw
11	4747-942	Plastic wedge
	4716-076	Screw x2
12	4751-5621	Sliding pantry "left"
13	4751-5631	Sliding pantry "right"
14	4751-1151	5/32 U-Channel 26 5/16" pc.
15	4751-283	Metal slide track
16	4710-2681	Button x4, M4
	1034B1612	Screw x4

# REPAIR PARTS

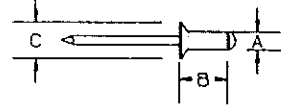
## Pop Rivets

NOTE: (Equivalent may be purchased locally from auto parts store.)



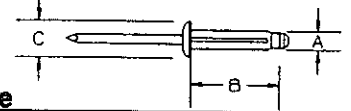
Rivet No.	Pkgd	'A' Dia.	'B' Length	'C' Head	Color	Typical Usage
1203-8558	Single	1/8	1/4	1/4	Alum.	Screen door
4741-9861	M25	5/32	3/8	1/4	Alum.	Screen door assembly
1203-8631	M50	5/32	3/8	1/4	Alum.	Top assemblies
4749-4578	Single	5/32	7/16	5/16	Alum.	Bed extensions
1203-8641	M50	3/16	7/16	3/8	Alum.	Lift assemblies, body rails
4733D0601	M25	3/16	7/16	3/8	Arc White	Access door, bulkheads
1203C8751	M25	3/16	7/16	3/8	Steel	Corner bulkheads
4734C1861	M25	3/16	5/8	3/8	Arc White	Screen door assemblies
4734E1861	M25	3/16	5/8	3/8	Elm	Upper & lower galley
1203-8741	M25	3/16	13/16	3/8	Alum.	Bed assemblies, lashing hooks
1203-8831	M25	3/16	5/8	5/8	Alum.	Bed assembly, bed leg clips
4744B4608	Single	3/16	1"	5/8	Elm	Lower galley tops
1203C8721	M25	3/16	11/16	5/8	Steel	Upper crank, swing arms

## COUNTERSUNK HEAD POP RIVETS



Rivet No.	Pkgd	'A' Dia.	'B' Length	'C' Head	Color	Typical Usage
1203-8678	Single	1/8	3/8	7/32	Alum.	RVIA tag, utility hatch door
1203-8978	Single	3/16	7/16	11/32	Alum.	Access door bulkheads

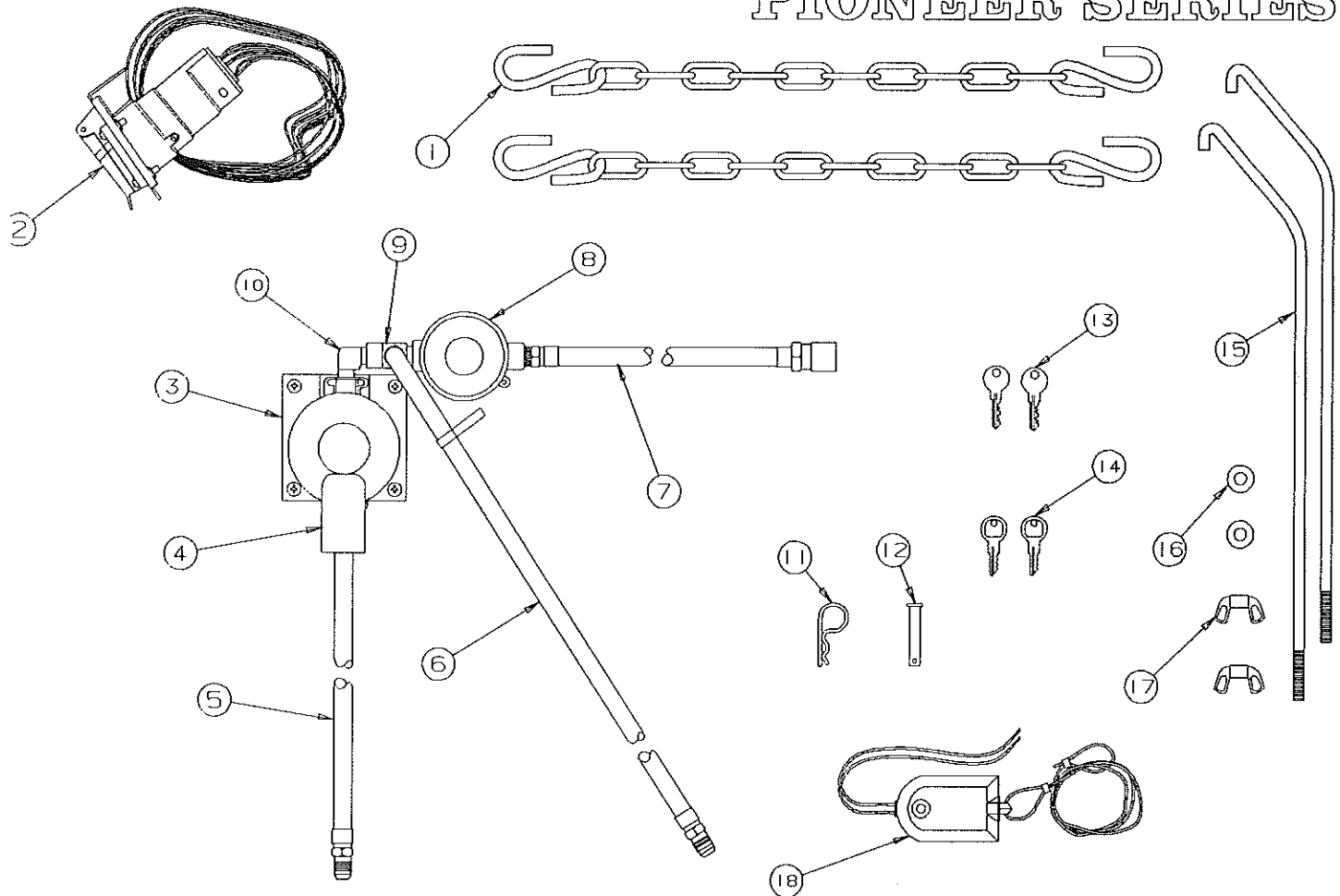
## EXPANSION POP RIVETS



Rivet No.	Pkgd	'A' Dia.	'B' Length	'C' Head	Color	Typical Usage
4744-4611	M25	5/32	3/4	5/16	Alum.	Screen door tracks
4741C96568	Single	3/16	13/16	3/8	Warm grey	Top assembly, side covers
4747-2558	Single	3/16	1"	3/8	Alum.	Taillights, miter covers, lift trim

# 1993 Seneca XL

## PIONEER SERIES



### **4751-5661 PARTS PACKAGE (COMPLETE) 2740XL**

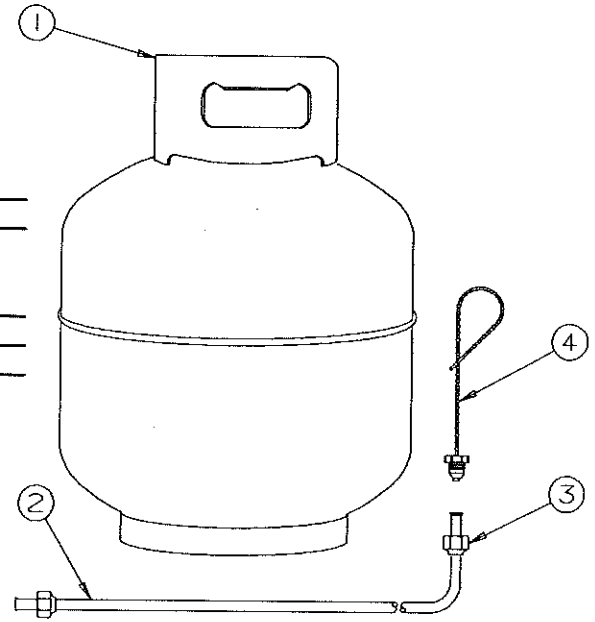
#### **PARTS PACKAGE COMPONENT PARTS:**

CODE	PART NO.	DESCRIPTION
1	4749-9601	Safety chain x2
2	4746-5591	Pigtail (bargman)
3	4742-9851	Regulator mounting bracket
	4745-3968	Screw x4 (arctic white)
4	4746-4231	Regulator cover
	4742-8051	Regulator (low pressure)
5	4733A3991	Gas hose 3/8" x 3/8" x 32" (low pressure)
6	4742-808	Gas hose 1/4" x 3/8" x 32" (high pressure)
7	4733R3991	Gas hose (w/POL adapter)
8	4742-8041	Regulator (high pressure)
9	4739-6998	Brass tee
10	4742-8031	Brass elbow
11	4732A4791	Safety pin, M10
12	4771-2631	Hitch pin, M5
13	4730A3211	Key, M10
14	4716-0091	Storage compartment door key, M2
15	4733F6281	Gas bottle mounting bracket package
	<b>NOTE: (Package includes wing nuts &amp; washers)</b>	
16	1202B0468	Washer x2
17	1201-6258	Wing nut x2
18	4746-0401	Break-a-way switch

# REPAIR PARTS

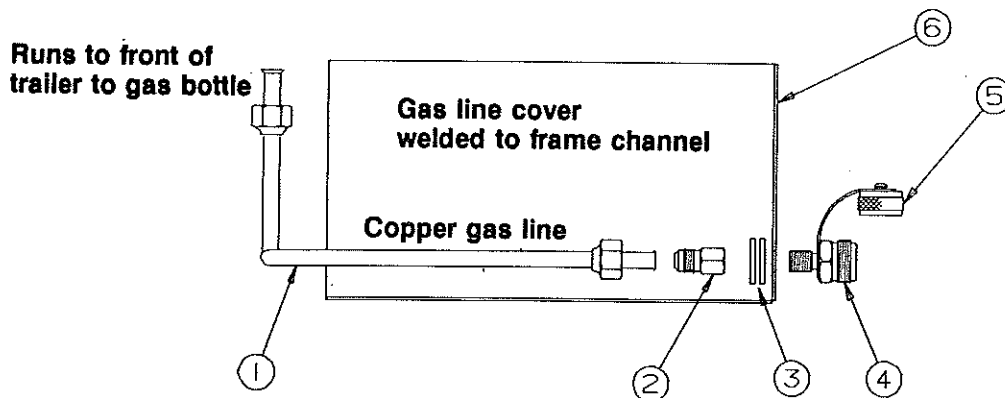
## GAS SYSTEM & RELATED PARTS

CODE	PART NO.	DESCRIPTION
1	4720J5928	Gas bottle (arctic white)
2	4714-0711	3/8" Copper gas line, 100" length (includes 1 bushing & 2 flare nuts)
	1201-8708	3/8" Clamp (rubber coated)
3	1215-2418	Flare nut (3/8" gas line)
4	4733A3888	3/8" Plastic cap & chain



## OUTSIDE STOVE GAS LINES AND COMPONENTS

CODE	PART NO.	DESCRIPTION
1	4714-0711	Copper gas line assembly, (100")
	1215-2418	Flare nut
2	4742-8061	Female coupling
3	1202B1068	Washer x2
4	4739-6978	Cylinder adapter
5	4742-8071	Brass cap w/strap
6	4742-8551	Gas line cover



# 1993 Seneca XL

## PIONEER SERIES

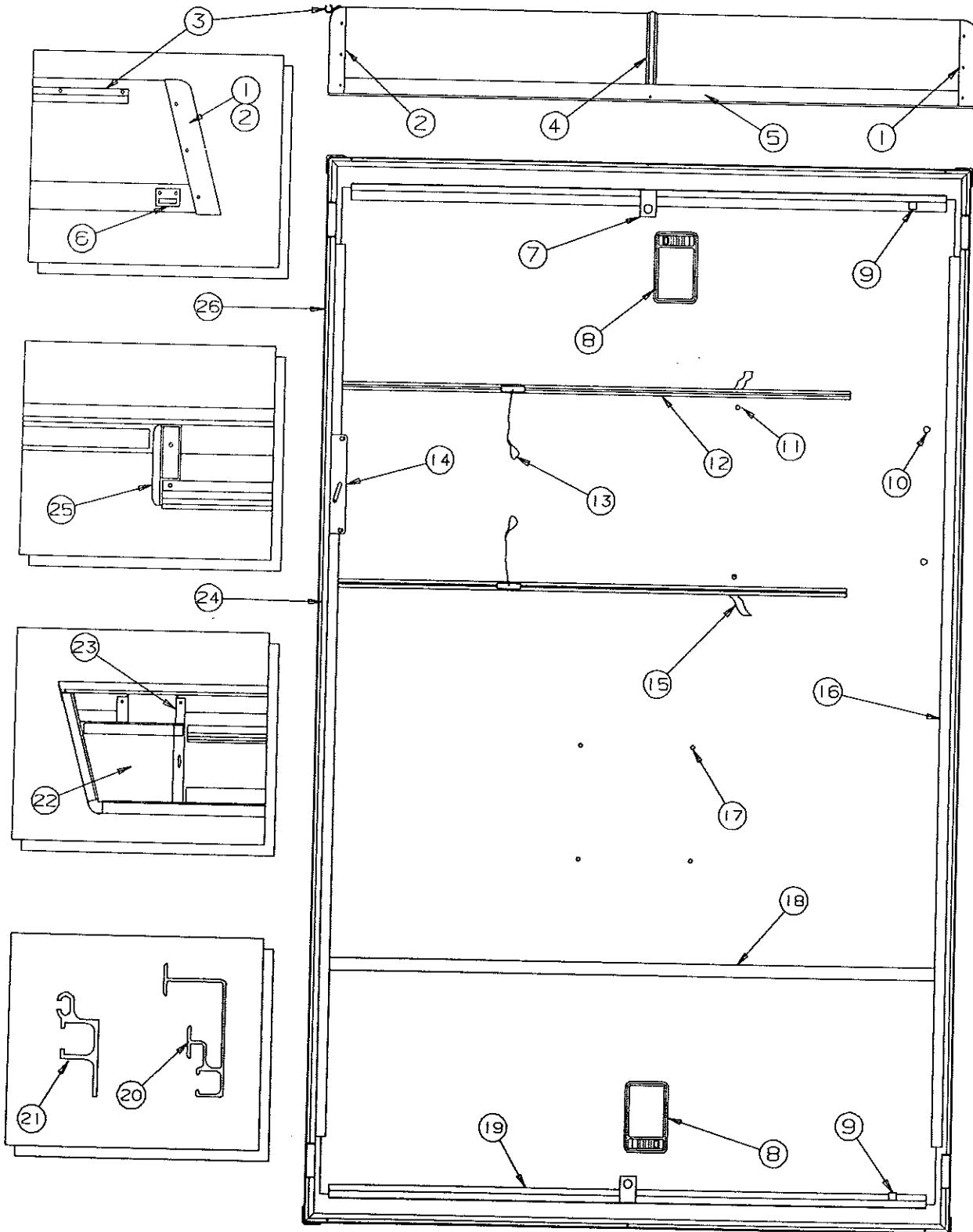
### 2740XL TOP ASSEMBLY, 4751-5901 (COMPLETE)

#### TOP ASSEMBLY COMPONENT PARTS

CODE	PART NO.	DESCRIPTION
1	4741C1991	Top corner (right front/left rear)
	4745-3968	Screw x6 (arctic white)
	435000058F	Foam tape
2	4741C1981	Top corner (left front/right rear)
3	4728D20881	Canopy track (must cut to length)
	4745-3968	Screw (arctic white)
4	4741B2319	Center seam (must cut to length)
	4060400096F	Vinyl screw cover
	4741-3508	Hex head screw
	435000058F	Foam tape
5	4741E21381	Top seal extrusion (front/rear)
6	4715C2091	Top strike x4, M4
	4744A2481	Screw x2 M2
	1201B6958	Nut x2
7	4741F11381	Tent support bracket x2
8	4737F5911	Dome light
	4714F0891	Dome light lens
	1103B1028	Screw x4
9	4746-9121	Clothes clip
10	4737-3211	Rubber button x2, M8
11	4730A3548	Stud w/screw x2
12	4733G4711	Screen door track
	4744-4611	Rivet, M25
	1203-9258	Plastic accordion rivet
13	4734D5211	Screen door cable, M6
14	4749A5571	Screen door bracket
	4741C96568	Rivet x3 (warm grey)
	4749-2138	Snap button
	1203-8641	Rivet x1, M50
15	4723A5061	Safety strap x2
16	4741H18681	Side cove x2 (must cut to length)
	4741C96568	Rivet (warm grey)
17	1203-9258	Plastic accordion rivet x4
18	4350400003F	Vinyl tape (blue mist)
19	4741G21481	Cove, front/rear
	4741C96568	Rivet
20	4741C1891	Evolution & valance track (sold/9 ft pc)
21	4741B1031	Evolution track (front/rear)
22	4741F35481	Lift cover (curbside front/roadside rear)
	4741G12881	Lift cover (roadside front/curbside rear)
	4350000022F	Foam tape
	4741D3558	Hole plug x2
	4350000005F	Velcro hook (sold/yard)
23	4741B5431	Lift pocket x4
	1201B6378	Lock nut x8
24	4060000399F	Rubber top seal (sold/foot)
25	4741-8841	Retaining bracket x2
26	4741D1888	Top seal sides x2



# REPAIR PARTS



10

10

10