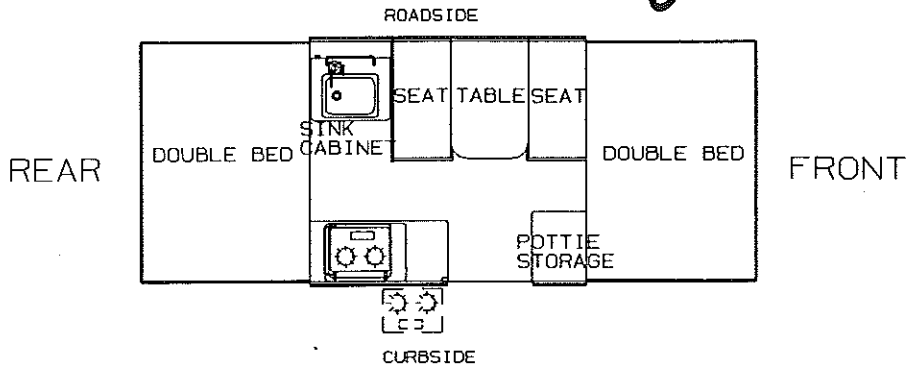


DEERTINY SERIES

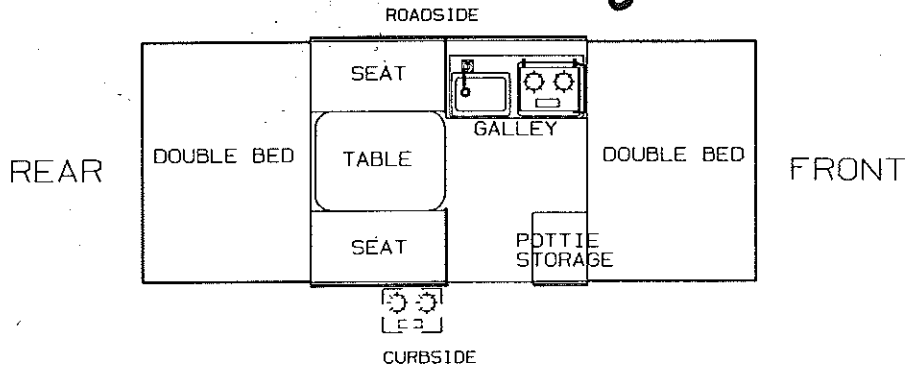
FLEETWOOD®

1993 REPAIR PARTS

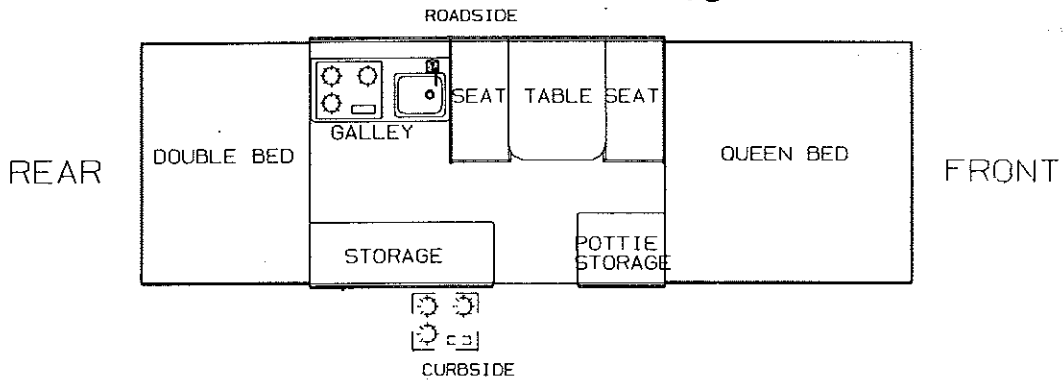
2770 ROANOKE 8'



2775 CEDAR 8'



2789 ROYALE 10'



2796 RIO GRANDE 10'

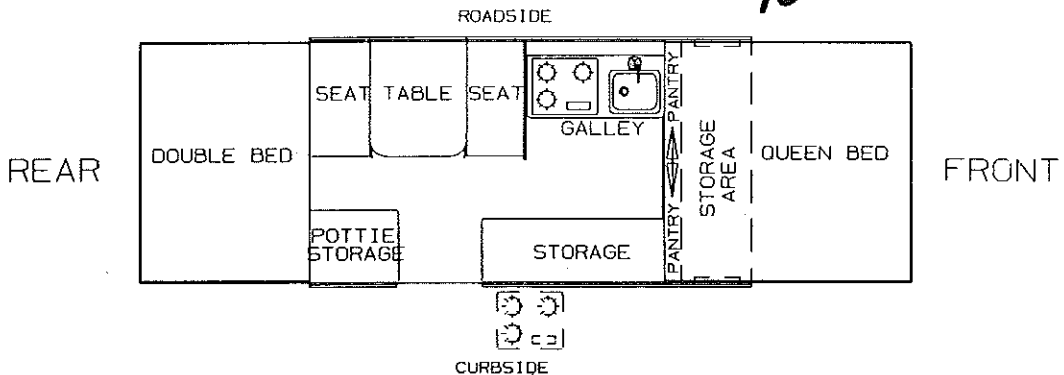


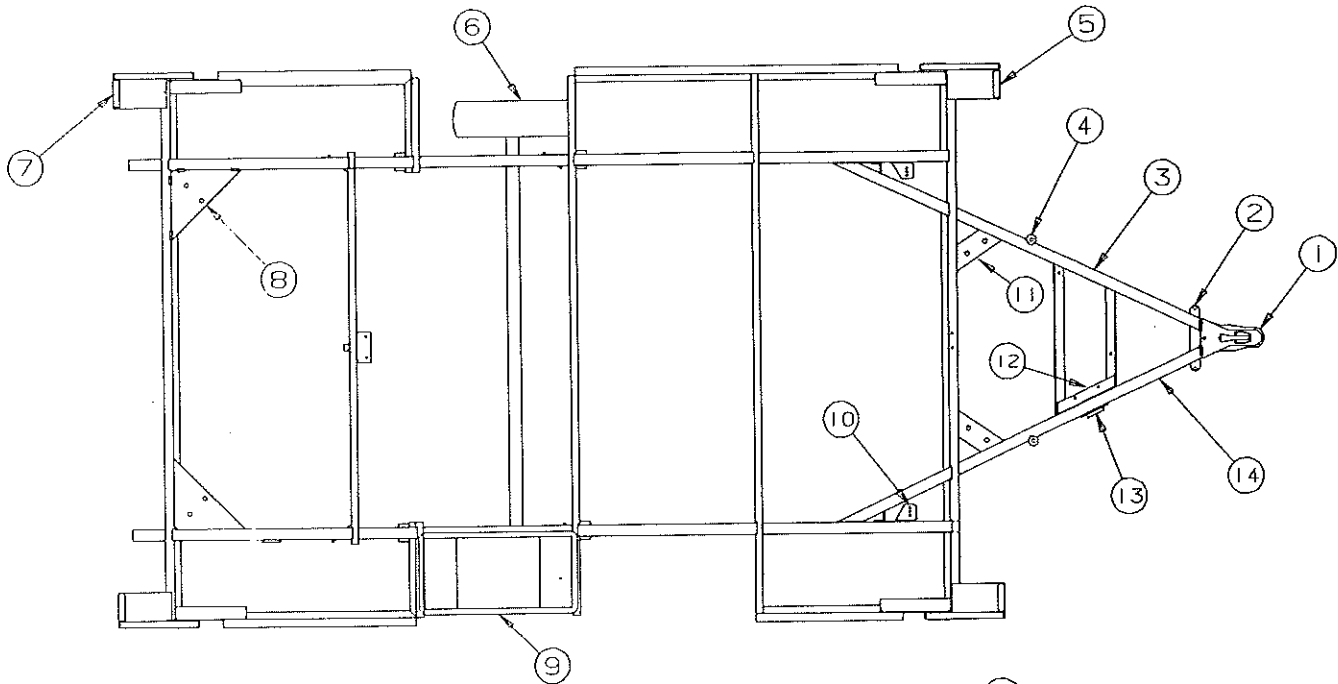
TABLE OF CONTENTS

DESCRIPTION	PAGE NUMBER
Access door key	40
Access door assembly & related parts	12
Auto extension	33
Axle assemblies & related parts	6
Axle beam	6
Backrest assemblies & covers	29
Bed slides	34, 35, 36
Bed support leg 2796 Rio Grande	39
Bed assembly (front bed) 2789, 2796	36
Bed assembly (front bed) 2770, 2775	35
Bed assembly (rear bed) 2770, 2775, 2789, 2796	34
Bed support leg 2789 Royale	37
Body panel front & related parts	8
Body panel right front (curbside)	11
Body panel rear & related parts	9
Body panel front storage area 2796 Rio Grande	14, 15
Body panel left side (roadside)	13
Body panel right rear (curbside)	10
Bumper & related parts	9
Caulking	33
Check valve & related parts	17
Converter & related parts	30
Cooler	1
Corner bulkhead assembly	2
Coupler	2
Crank handle	40
Cushion assemblies & covers	29
Cutting board 2770, 2775	18, 27
Cutting board 2789, 2796	20
Door bulkheads	8
Drain hose (used on sink assembly)	17
Drape packages	28
Electric brake package	7
Electric brakes & related parts	7
Evolution III assemblies & related parts	31
Fire Extinguisher	24, 25
Floor covering	41
Frame assembly & related parts	2, 3
Gas bottle & related parts	41
Gas hose (gas bottle)	40
Gas bottle mounting bracket	40
Grease cap (dust cap)	6, 7
Hub assembly & related parts	6
Hutch assembly 2796 - Rio Grande	24
Hutch assembly 2770	26
Hutch assembly 2789 - Royale	25
Leaf springs & shackles	6
Lift trim & miter covers	11
Lift lock assembly	9
Lift assemblies & related parts	4
Lower galley assembly 2789, 2796	22
Lower galley assembly 2775 - Cedar	23
Lower galley assembly 2770	16
Lug bolts	33
Mattress assemblies & covers	37
Paint (spray & quart cans)	33
Paneling & trim	38, 39
Parts packages & components	40
Pigtail (car end)	2, 40
Power cord	30
Quick disconnect (gas)	24, 25
Receptacles (ground fault)	30
Regulator & fitting	40
Safety chains	40
Screen door & jamb assemblies	32
Seat component parts	29
Sink & related parts	17
Sliding pantry 2797 Rio Grande	38
Spare tire mount package	33
Stabilizer handle	40
Stabilizer assembly	2
Storage area compartment 2796 Rio Grande	14, 15
Storage cabinet (potti cabinet) 2770, 2775, 2785, 2796	28
Stove (lift out stove 2770, 2775)	19
Stove-box assembly 2770 - Roanoke	27
Stove (lift out stove 2789, 2796)	21
T-molding	18, 30
Table assemblies & related parts	30
Taillights (rear body panel)	9
Tent support assemblies & related parts	31
Thrust nut	5
Tie backs	28
Tire & rim	2
Tongue jack & related parts	3
Top latch	10, 11, 13
Top assemblies & related parts	42, 43
Trim tape	10, 11, 12, 13
Trim tape repair kit	10, 11, 12, 13
Upper galley assembly 2770	16
Upper galley assembly 2775	18
Upper galley assembly 2789, 2796	20
Valance packages	28
Water pump & related parts	17
Water tank portable	33
Wheel well	2, 41
Whiffletree & related parts	5
Wire harness (trailer front)	2
Zipper (Evolution III assemblies)	31

Coolers

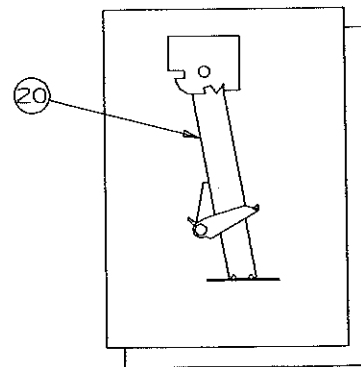
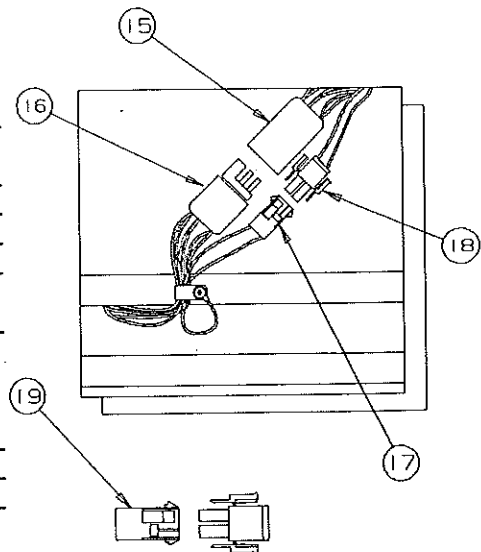
- 4748-9981 Cooler Blue 40 qt 2770, 2775
- 4748-9991 Cooler Green 48 qt 2789, 2796

1993 DESTINY SERIES

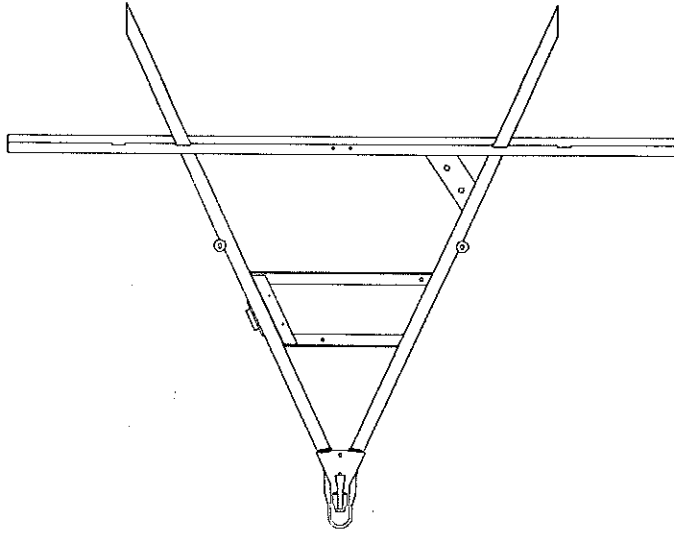


MAIN FRAME ASSEMBLY COMPONENT PARTS

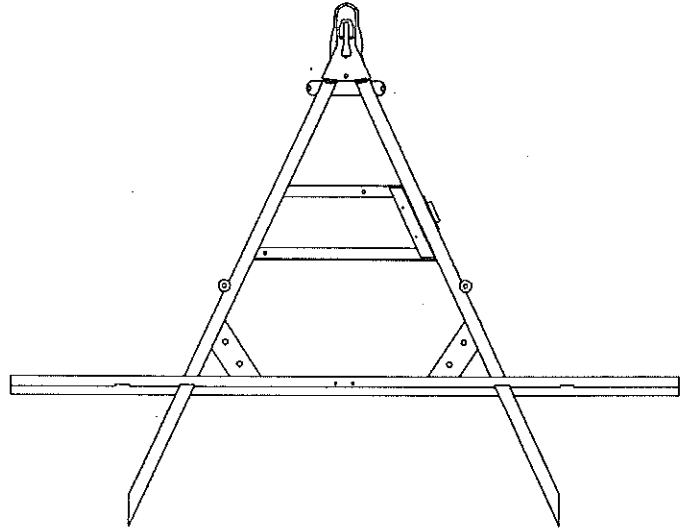
CODE	PART NO.	DESCRIPTION
1	4730A3561	Coupler assembly 1 7/8" (all except 2796)
	4742-2001	Coupler assembly 2" (2796 only)
2	4747-989	Bed support bar (2789 only)
3	4749-3651	Roadside tongue bar (all except 2796)
4	4747-8941	Pin cover, M2
5	4747-551	Corner bulkhead x2, CSF/RSR
	4751-513	Bulkhead assembly, RS 2796 Rio Grande
6	4741C3988	Tire & rim 8", Load Range "B" (2770, 2775)
	4747B4838	Tire & rim 12", Load Range "B" (2789 only)
	4749B2358	Tire & rim 10", Load Range "B" (2796 only)
	4741-3268	Valve extension 2"
7	4747-550	Corner bulkhead -CSR/RSF
8	4749-586	Corner gusset assembly x2
9	4747A4161	Wheel well x2 (all except 2796)
	4741A3311	Wheel well (2796 Rio Grande only)
10	4732C3678	Adjustable pulley bracket x4
	4720C1578	Short pin
	4715A5371	Pulley & bearing, M10
	1204B1081	Cotter pin, M10
11	4749A4141	Stabilizer plate
12	4746-8761	Jack support plate
13	4720A3331	Jack bracket
14	4749-3641	Curbside tongue bar (all except 2796)
15	4735D6691	Pigtail 2770, 2775 (car end)
	4735E6741	Pigtail 2789, 2796 (car end)
16	4747A5611	Wire harness 2770, 2775 (ct front)
	4735D6751	Wire harness 2789, 2796 (ct front)
17	4735A6871	Power harness (ct front)
18	4735A6721	Extension harness (car end)
19	4716-4701	12 Volt cap & plug package
20	4720D0731	Stabilizer assembly x4
	4739-2298	Nut (2 per stabilizer)



REPAIR PARTS



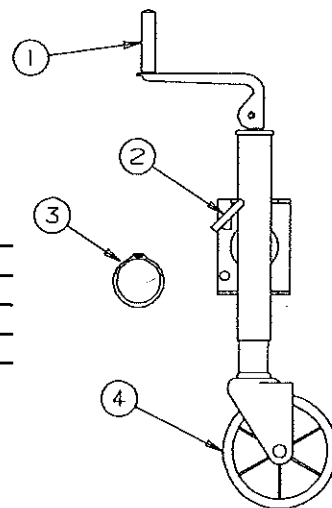
4716-1511 "A" Frame Assembly
2770 Roanoke
2775 Cedar



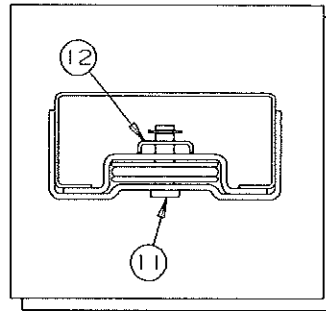
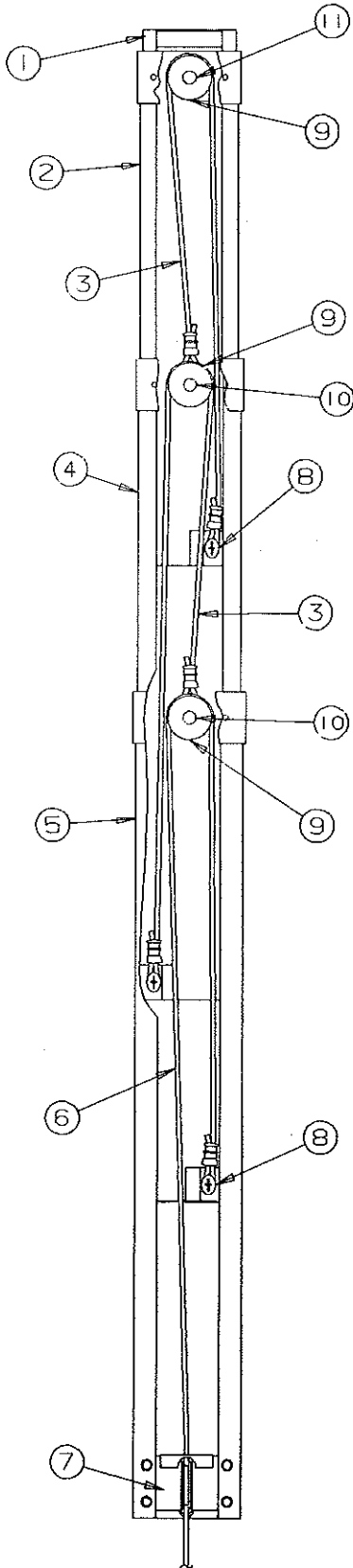
4716-1501 "A" Frame Assembly
2789 Royale

Tongue Jack Assembly, 4720B661

CODE	PART NO.	DESCRIPTION
1	4714-2821	Jack handle kit, M2
2	4714-2818	Locking plunger kit
3	4720A3341	Snap ring
4	4716-6661	Jack wheel, nut & bolt



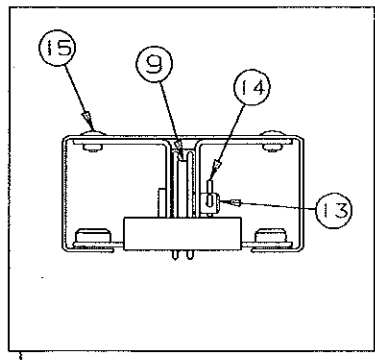
1995 DESTINY SERIES



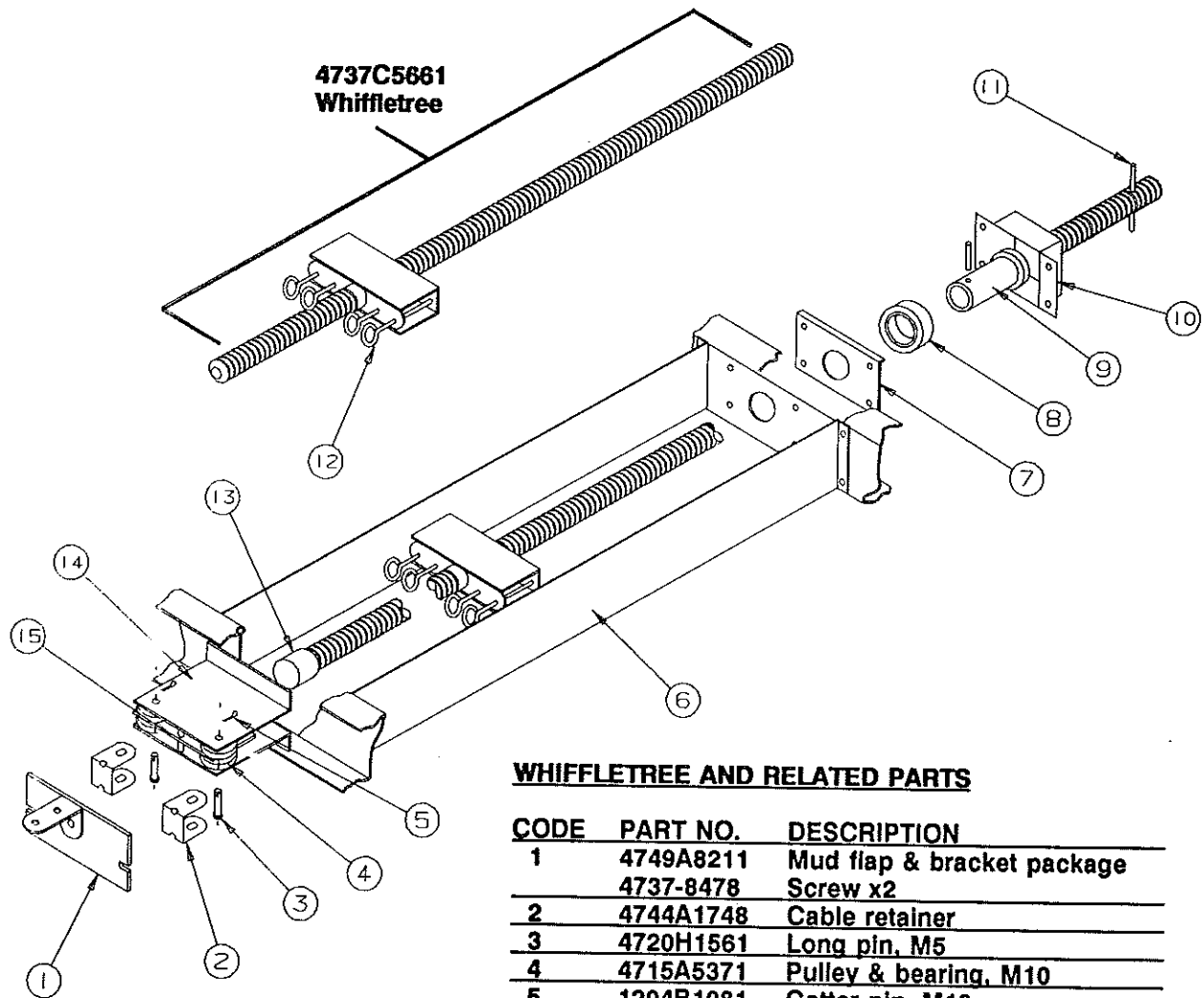
LIFT ASSEMBLIES - (All Destiny Series)

4716-0011 - Lift assembly, Roadside Rear/Curbside Front
4716-0021 - Lift assembly, Roadside Front/Curbside Rear

CODE	PART NO.	DESCRIPTION
1	4720E5181	Top lift assy (4716-0021)
	4739B6741	Top lift assy (4716-0011)
2	4720E5171	Center lift assy (4716-0021)
	4739B6731	Center lift assy (4716-0011)
3	4720C5271	Cable assy x2, M2 (both)
	4720C1691	Steel cable crimp, M20
4	4720F5161	Bottom lift assy (4716-0021)
	4739B6751	Bottom lift assy (4716-0011)
5	4720H5151	Stationary lift assy (both)
6	4747-6741	Stainless steel cable assy x1, M2 (156 inches long) (includes 2 copper cable crimps in pkg)
	4744-1318	Copper cable crimp, M10
7	4731C5801	Butterfly bracket assy
8	4749-2081	Screw x3, M6
9	4715A5371	Steel pulley & bearing x4, M10
10	4747-8931	Long pin, x2
	4730B0981	Retaining ring, M12
11	4749-4061	Pin short x1, M4
	4730B0981	Retaining ring, M12
12	4749A2028	Retaining clip
13	4720C1578	Lift pin x1
14	1204B1081	Cotter pin, M10
15	1203-8641	Rivet x4, M50



REPAIR PARTS



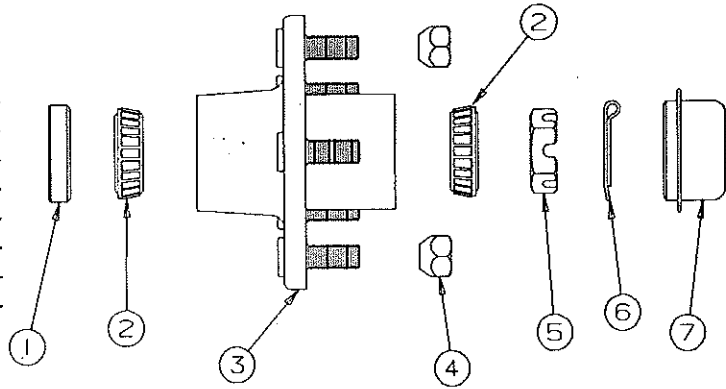
WHIFFLETREE AND RELATED PARTS

CODE	PART NO.	DESCRIPTION
1	4749A8211	Mud flap & bracket package
	4737-8478	Screw x2
2	4744A1748	Cable retainer
3	4720H1561	Long pin, M5
4	4715A5371	Pulley & bearing, M10
5	1204B1081	Cotter pin, M10
6	4720E2371	Guide channel
	4738A0898	Hex head bolt x4
	1201B6038	Hex nut x4
7	4720B2418	Plate
8	4720A2421	Bearing
9	4720B2388	Thrust nut
10	4720B2408	Retainer
	(See Code 6 for bolts & nuts)	
11	4720X1481	Roll pin, M10
12	4744-4451	Screw eye x4, M4
	1201B6078	Locknut 5/16" x8
13	4730D1291	Screw socket x1
14	4720-1551	Pulley plate
15	4715C5661	Pulley spacer

1995 DESTINY SERIES

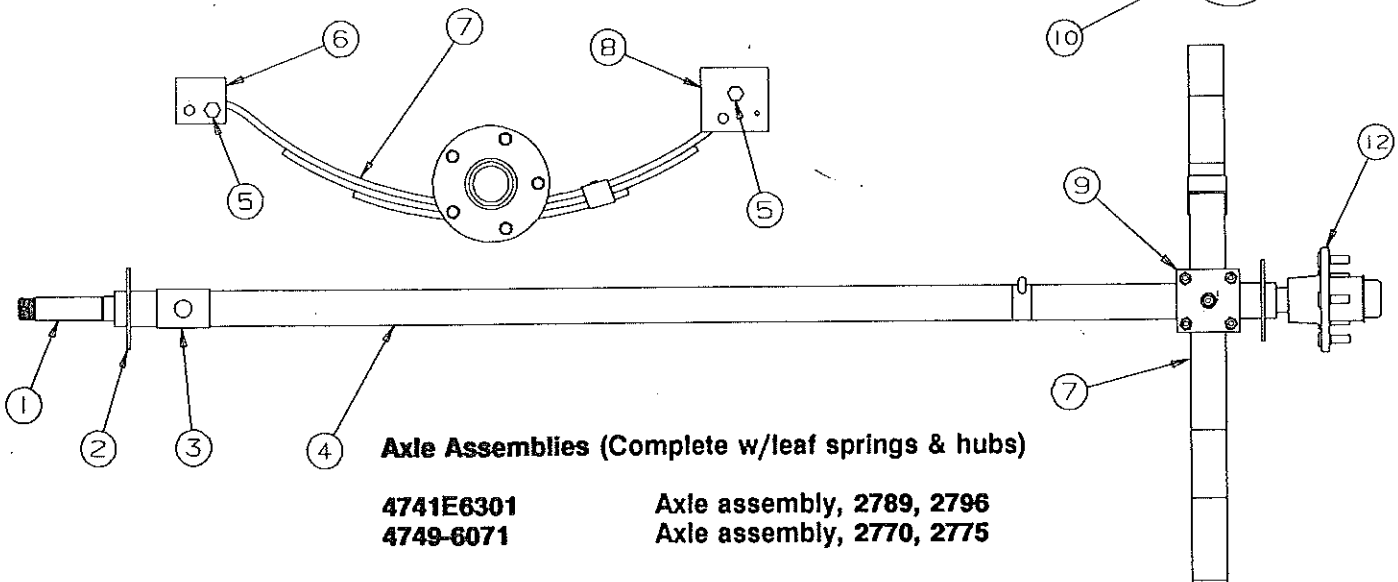
HUB ASSEMBLY & COMPONENTS (ALL)

CODE	PART NO.	DESCRIPTION
1	4714A2201	Grease seal x1, M4
2	4716-1101	Bearing & race pkg
3	4738D0451	Hub w/race & lug nuts
4	4747A9528	Lug nut x5
5	4714-3068	Slotted spindle nut, x1
6	1204-1268	Cotter pin x1
7	4714-0621	Grease cap x1, M4



AXLE & SPRING COMPONENTS

CODE	PART NO.	DESCRIPTION
1	4741B8491	Spindle
2	4741A847	Brake mounting plate
3	4741-8461	Spring pad channel, M2
4	4741D6251	Axle beam (all)
5	4737A1318	Shackle bolt
	4741-9498	Shackle bolt nut
6	4741A3398	Spring shackle
7	4741B3381	Leaf spring, 2 leaf 750#, 2770, 2775
	4735C2201	Leaf spring, 3 leaf 1000#, 2789, 2796
8	4741B3398	Spring shackle
9	4741-8458	U-bolt plate
10	4741A8438	U-bolt
11	4741-9358	U-bolt nut
12	4738D0451	Hub w/race & lug nuts

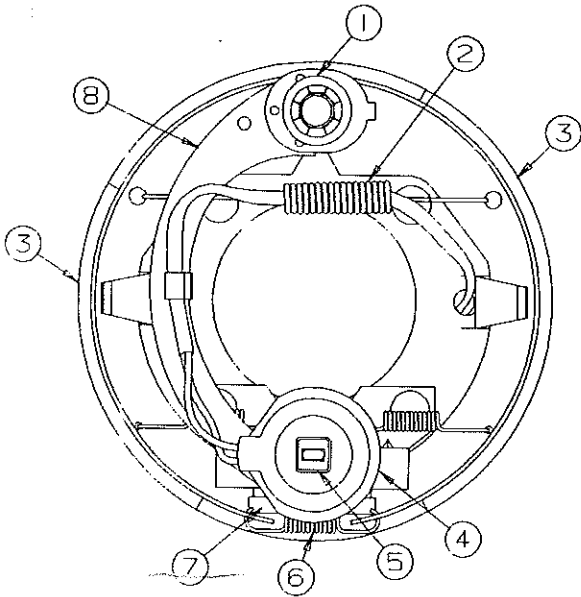


Axle Assemblies (Complete w/leaf springs & hubs)

4741E6301
4749-6071

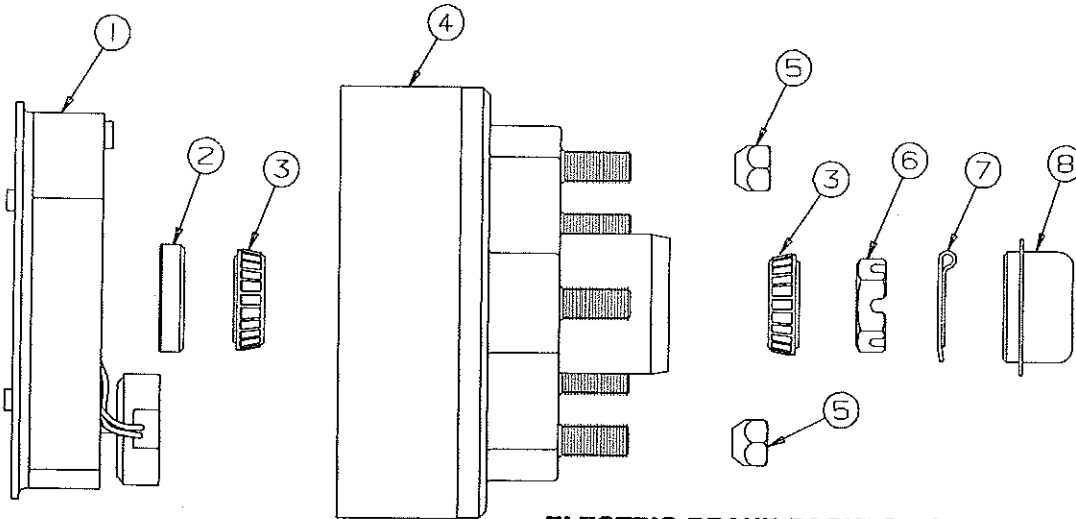
Axle assembly, 2789, 2796
Axle assembly, 2770, 2775

REPAIR PARTS



ELECTRIC BRAKE COMPONENTS

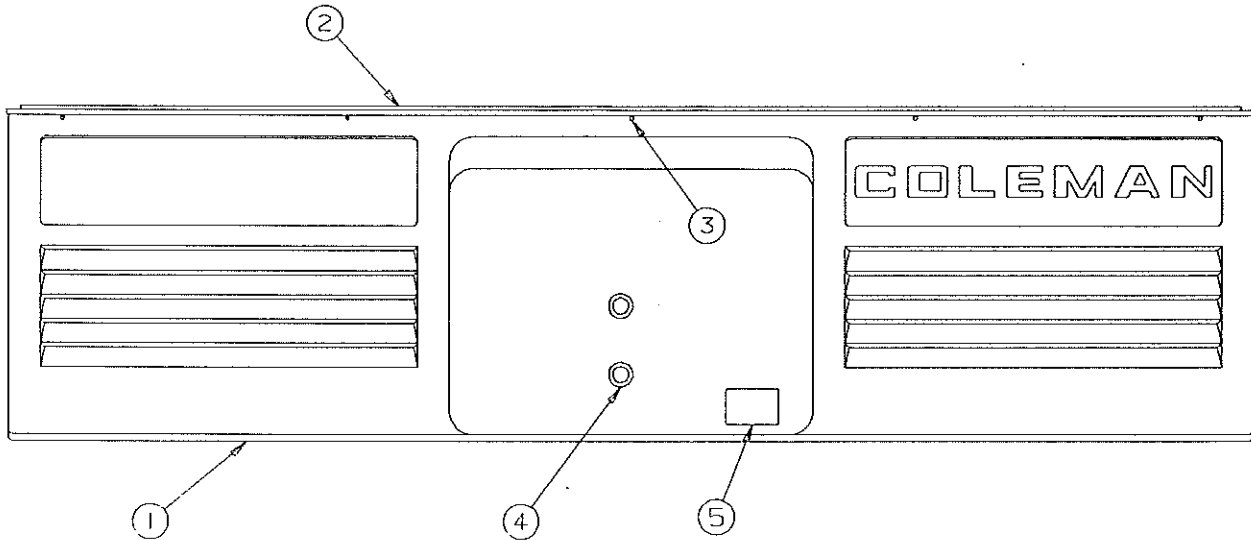
CODE	PART NO.	DESCRIPTION
1	4714A2461	Anchor post clip x2, M2
2	4714A2411	Retractor spring
3	4714B2071	Brake shoes (primary & secondary)
4	4714D2451	Magnet package (white wire) (includes: 1 magnet, 1 spring and 1 retainer clip)
5	4714B2471	Retainer clip, M2
6	4714A2101	Adjusting screw spring
7	4714A2041	Adjusting screw
8	4714A2841	Actuating lever arm package (includes: right hand and left hand arms)
9	4714B2421	Magnet housing spring (not shown)



ELECTRIC BRAKE PACKAGE (4714H2011)

CODE	PART NO.	DESCRIPTION
1	4733A3521	Brake assembly (right hand)
	4733A3531	Brake assembly (left hand)
2	4714A2201	Grease seal x2, M4 (Fleetwood axle only)
3	4716-1101	Bearing & race package x4
4	4716A1071	Hub & drum assembly x2
5	4747A9528	Lug nut x10 (per brake pkg)
6	4714-3068	Spindle nut (slotted) x2
7	1204-1268	Cotter pin x2
8	4714-0621	Grease cap x2, M4

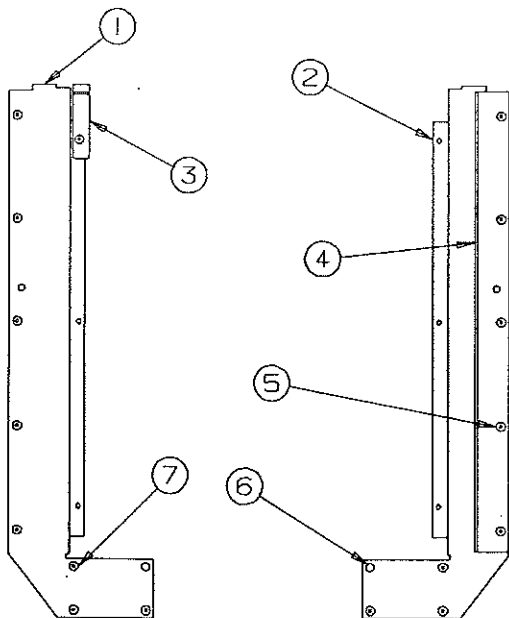
1995 DESTINY SERIES



FRONT BODY PANEL ASSEMBLY COMPONENTS (ARCTIC WHITE)

Note: All panels are shipped less hardware & decals

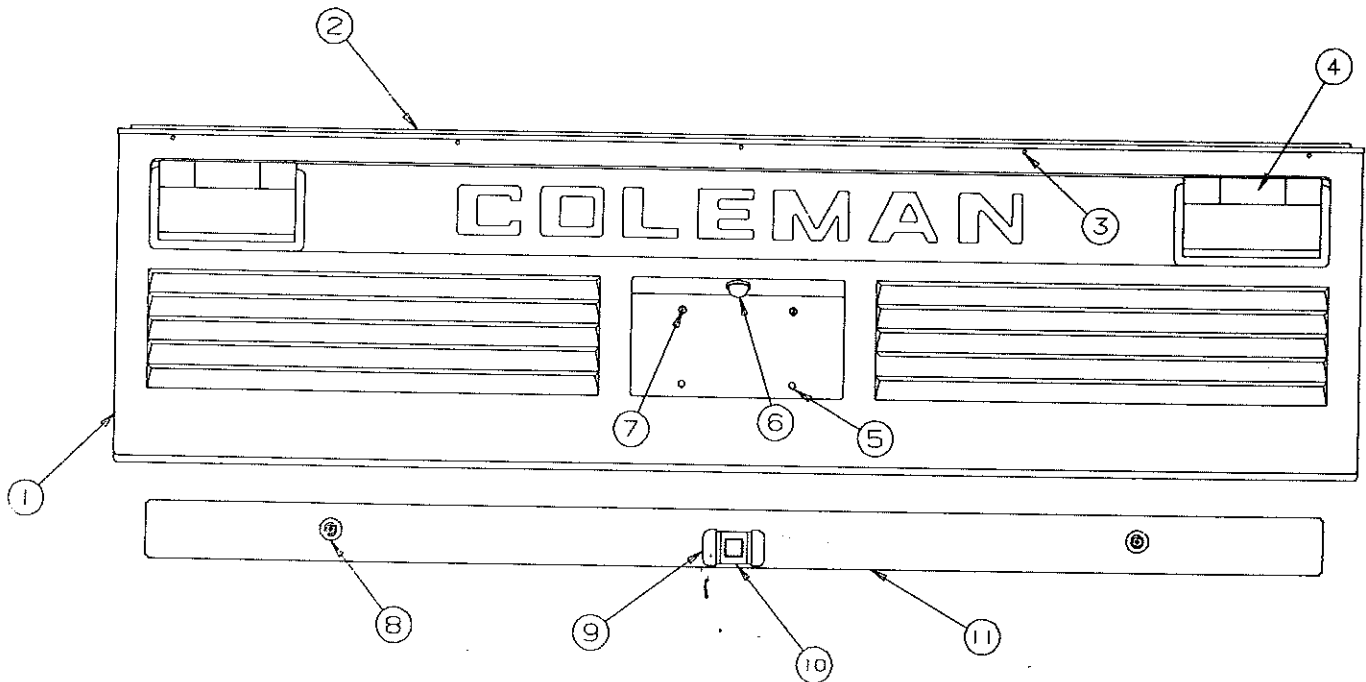
CODE	PART NO.	DESCRIPTION
1	4747C4531	Front body panel (all except 2796) NOTE: Refer to Page 15 for Rio Grande front storage area
2	4747A080	Front end rail, 2770, 2775
	4747A0808	Front end rail, 2789
	4751-2821	Front end rail, 2796
	1203-8651	Rivet x1, M50
3	4741B9658	Expansion rivet x4
4	4744B8598	Hole plug x2
5	4730J2138	Gas piping decal
6	4716-063	Screw x5 (not shown) (screw panel to bottom of floor)



DOOR BULKHEAD ASSEMBLIES

CODE	PART NO.	DESCRIPTION
1	4747A010	Door bulkhead (rear) (all)
2	4747A009	Door bulkhead (front) (all)
3	4748A411	Bed ramp (2775 only)
	4737-8488	Screw
4	4749A388	Bulkhead angle
5	4733D0601	Rivet, M25 (arctic white)
6	4744-050	Hex head tek screw
7	1203-8978	Countersunk rivet

REPAIR PARTS

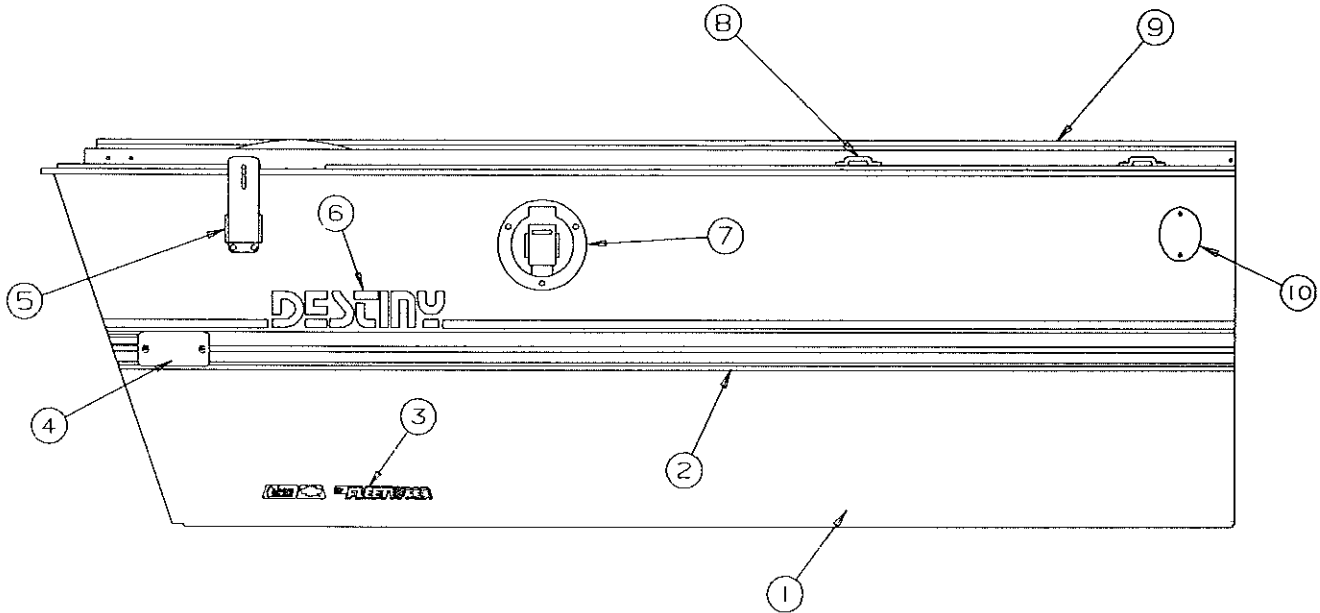


REAR BODY PANEL ASSEMBLY COMPONENTS (ARCTIC WHITE)

Note: All panels are shipped less hardware & decals

CODE	PART NO.	DESCRIPTION
1	4747C4641	Rear body panel, (all)
2	4747A079	Rear end rail (all)
3	4741B9658	Expansion rivet x5
4	4743B1321	Taillight x2
	4716-1061	Taillight lens
	4714-8111	Light bulb (single filament) M4
	4714-8121	Light bulb (double filament) M4
	4747-2558	Expansion rivet x4
5	4737A0728	Rubber bumper x2
6	4739B4311	License plate light
7	4732-1181	Plastic grommet, x2, M4
	1121C1618	Screw x2 (hold license plate on)
8	1032B2428	Bolt x2
	1202B0468	Washer x6
	1202B1068	Washer x2
	1201B6068	Nut x2
9	4750-3401	Lift lock cap (blue plastic) M2
10	4749A6741	Lift lock (all)
	4750-3391	Lift lock gasket
	4732A4791	Safety pin M10
11	4749A3891	Bumper (all except 2796)
	4751-0181	Bumper (2796 Rio Grande only)

1995 DESTINY SERIES



CURBSIDE RIGHT REAR BODY PANEL & COMPONENTS

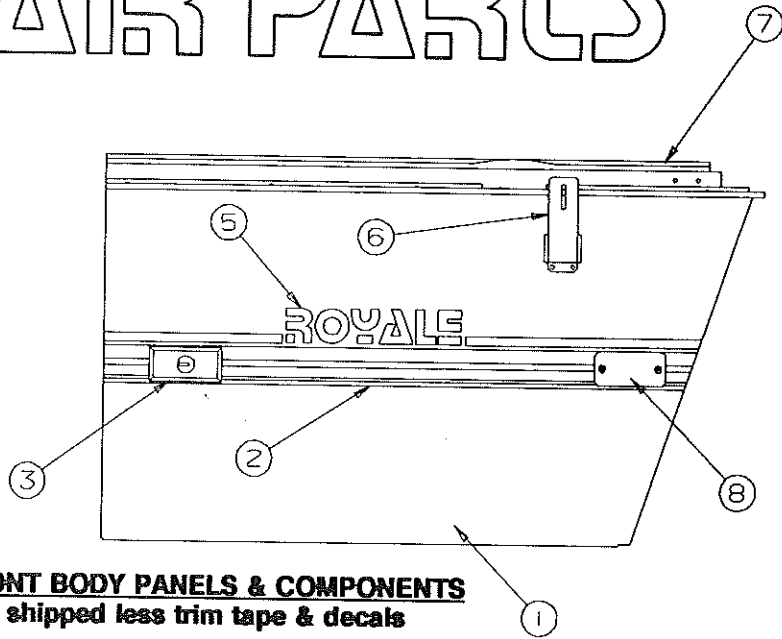
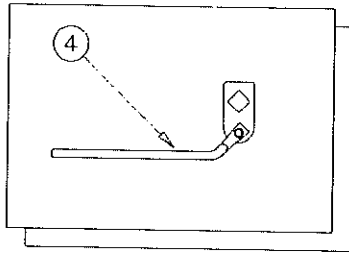
Note: All panels are shipped less trim tape & decals

2700 Destiny Series Body Panel Repair Kit

4716-8251 - Curbside or Roadside Hardware & Trim Tape Kit

CODE	PART NO.	DESCRIPTION
1	4749A9751	Body panel 2770, 2775
	4747B9691	Body panel 2789
	4751-0511	Body panel 2796 (small)
NOTE: Refer to opposite page for door lock handle & components for 2796 Rio Grande		
2	4350001333F	Trim tape (5' required)
3	4749A9638	Coleman/Fleetwood decal
4	4714G08581	Red lens & base
	4733G1311	Socket & harness
	4714-3701	Bulb (#194) M4
5	4741C6041	Top latch (without lock)
	4741-8218	Tek screw x4
6	4746A9338	Destiny name decal
	4733B23361	Cable hatch
7	4741-3508	Hex head screw x3
	4733-4511	Steel loop x2
8	1203-8978	Countersunk rivet x2
	9	4749-976
4747A972		Body rail 2789
4751-016		Body rail 2796 (small)
10	4723B8071	Velcro hook 2" x 2" (adhesive backed)
	1203-8641	Rivet x5 M50
	4733-2818	RVIA tag
	1203-8678	Rivet x2

REPAIR PARTS



CURBSIDE RIGHT FRONT BODY PANELS & COMPONENTS

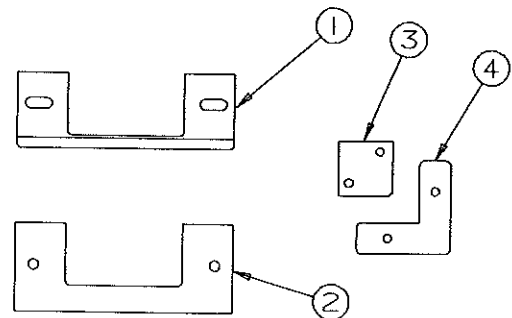
Note: All panels are shipped less trim tape & decals

2700 Destiny Series Body Panel Repair Kit
4716-8251 - Curbside or Roadside Hardware & Trim Tape Kit

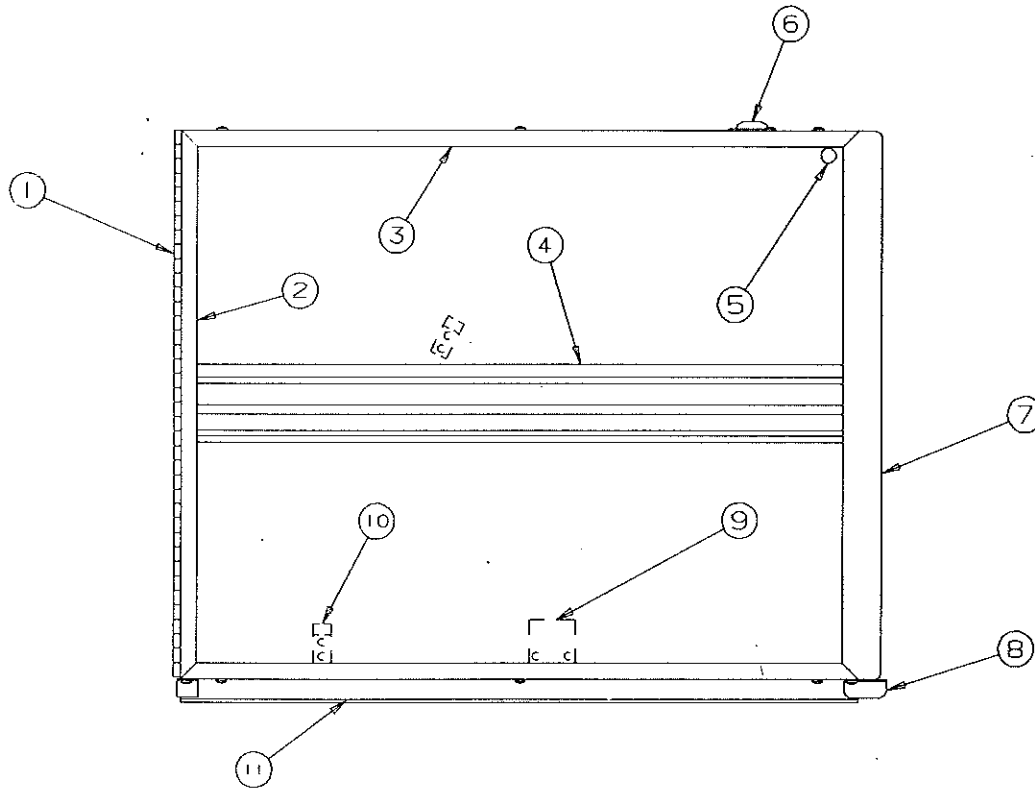
CODE	PART NO.	DESCRIPTION
1	4747B0441	Body panel 2770, 2775
	4747B9681	Body panel 2789
	4751-0521	Body panel 2796 (long)
	4350001333F	Trim tape - 5' required
2	4730B3111	Lock handle (all) "less keys"
3	4747-3501	Latch strike & lever (all)
	4747C4108	Roanoke name decal 2770
4	4749B3198	Cedar name decal 2775
	4749B4438	Royale name decal 2789
	4751-0658	Rio Grande name decal 2796
	4715F5051	Top latch (with lock)
5	4741-8218	Tek screw x4
	4747A056	Body rail 2770, 2775
6	4747-971	Body rail 2789
	4751-015	Body rail 2796
	4723B8071	Velcro hook 2"x2" (adhesive backed)
	1203-8641	Rivet, M50
	4714G08481	Amber lens & base
7	NOTE: Refer to opposite page for component parts	

LIFT TRIM & MITER COVERS - (ALL)

CODE	PART NO.	DESCRIPTION
1	4734B4121	Lift trim x4
	1203-8831	Rivet, M25
2	4744A9581	Foam gasket
3	4747-0531	Miter lock, M4
	1203-8651	Rivet, M50
4	4716C9101	Outer miter cover, M4
	1203-8651	Rivet, M50



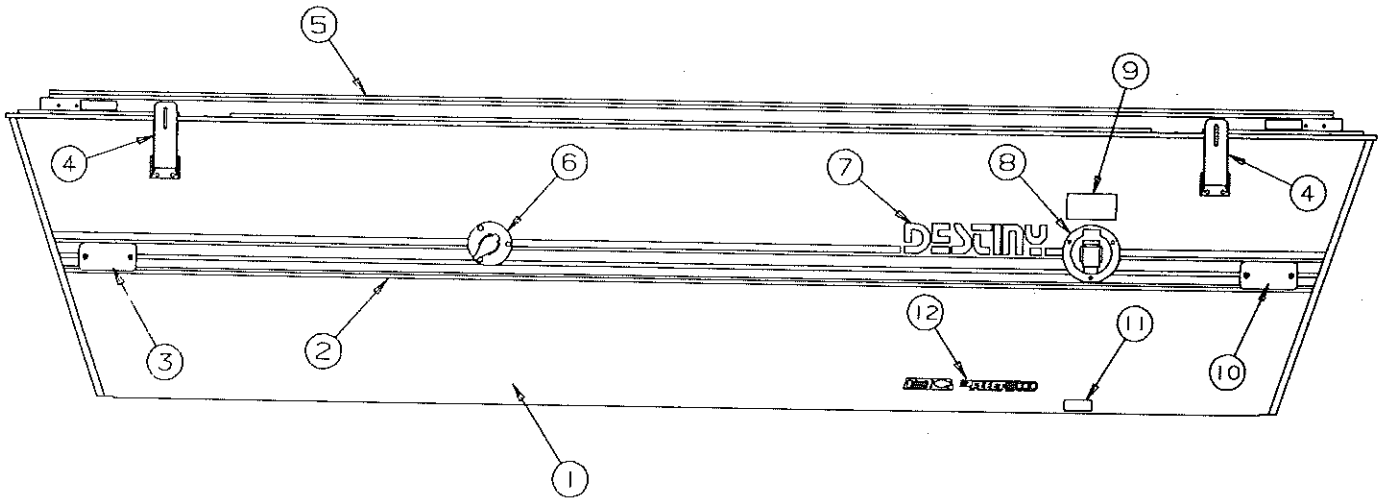
1995 DESTINY SERIES



4749A6471 - ACCESS DOOR (COMPLETE) *ALL EXCEPT 2796 - RIO GRANDE*
4751-5151 - ACCESS DOOR (COMPLETE) *2796 - RIO GRANDE ONLY*

CODE	PART NO.	DESCRIPTION
1	4747A3621	Door hinge (all)
2	4747A359	Door frame (all except 2796)
	4747B359	Door frame (2796 only)
3	4747C357	Door cap (all except 2796)
	4751-085	Door cap (2796 only)
4	4350001333F	Trim tape (2' required)
5	4737-3211	Rubber button, M8
6	4747B3681	Door latch package (rivet & washer included)
7	4747A3601	Door frame (all except 2796)
	4750-0601	Door frame (2796 only)
8	4749B12781	Side bracket (all)
9	4749A994	Door bracket
	4745-3968	Screw x2
10	4720A0721	Cooler clip, M2
	4745-3968	Screw x2
11	4747B361	Door frame bottom (all)

REPAIR PARTS



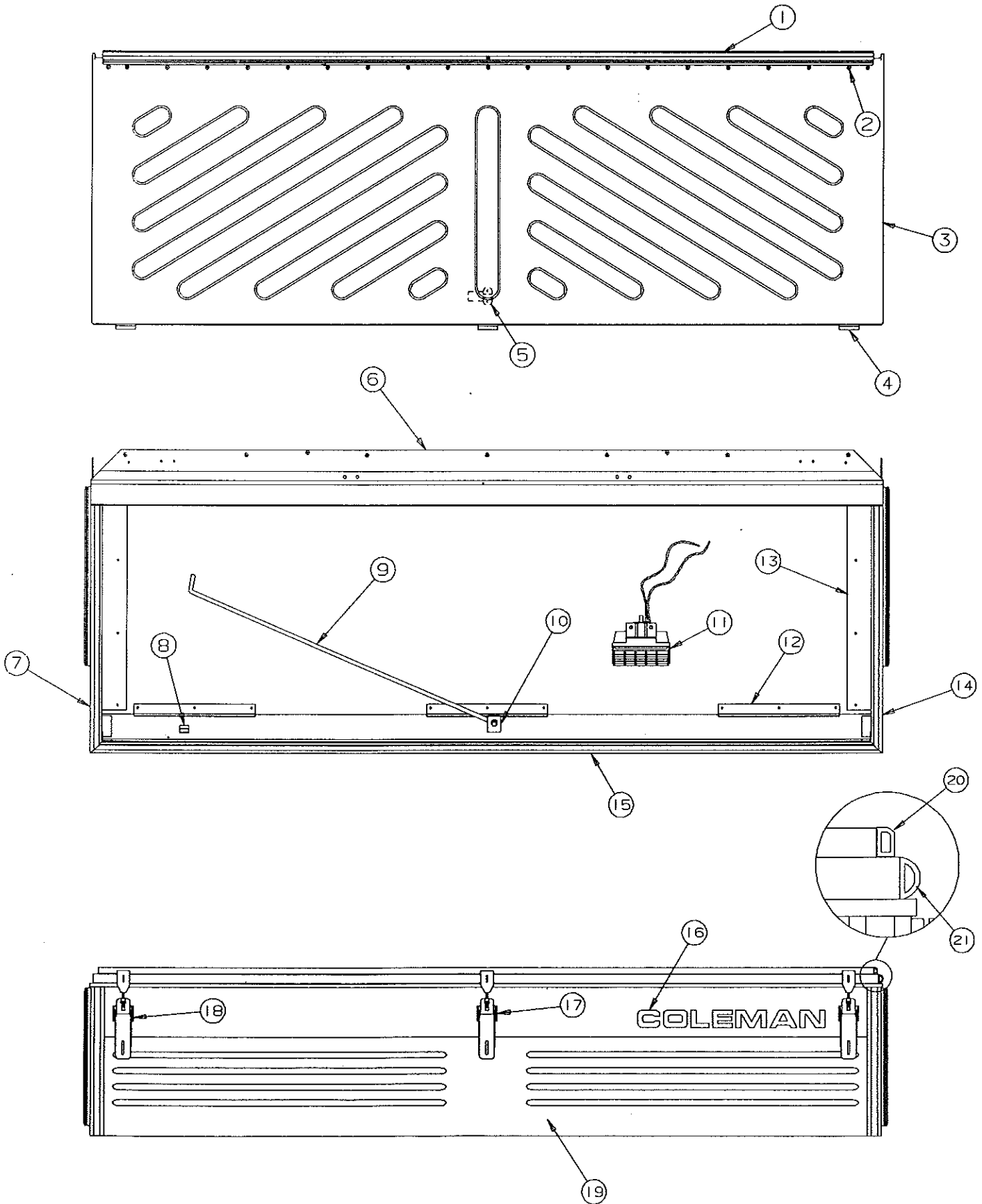
ROADSIDE LEFT SIDE BODY PANEL & COMPONENTS

Note: All panels are shipped less trim tape & decals

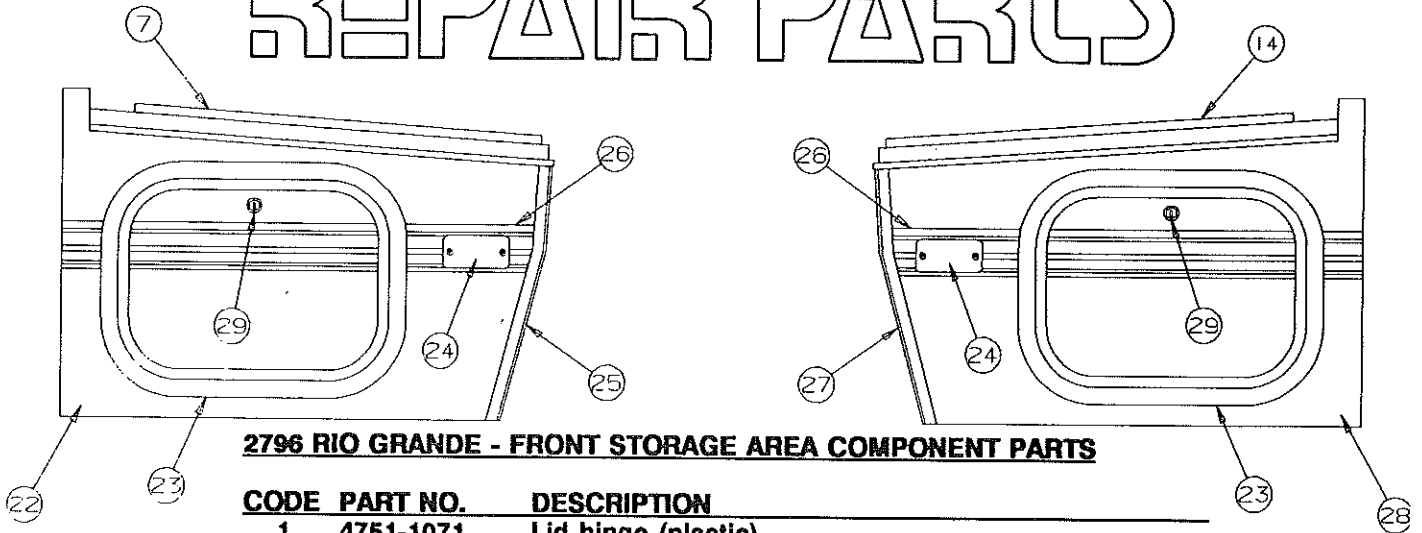
2700 DESTINY SERIES BODY PANEL REPAIR KIT
4716-8251 ROADSIDE OR CURBSIDE HARDWARE & TRIM TAPE KIT

CODE	PART NO.	DESCRIPTION
1	4747A0451	Body panel, 2770
	4749A9801	Body panel, 2775
	4747A9701	Body panel, 2789
	4751-0531	Body panel, 2796
	4350001333F	Trim tape (10' required)
2	4714G08481	Amber lens & base
	4733G1311	Socket & harness
	4714-3701	Bulb (#194) M4
	4745-3968	Screw x2
	4741C6041	Top latch (without lock)
4	4741-8218	Tek screw x4
	4747-058	Body rail, 2770, 2775
5	4747-973	Body rail 2789, 2796
	4732F1521	City fill (all)
6	4741-9568	Female adaptor
	4741-9108	Screw x3
	4746A9338	Destiny name decal
7	4733B23361	Cable hatch
	4741-3508	Hex head screw x3
8	4745A9948	30AMP decal
9	4714G08581	Red lens & base
	NOTE: Refer to Code 3 for component parts	
10	4744B2668	Drain decal
11	4749A9638	Coleman/Fleetwood decal
12		

1995 DESTINY SERIES



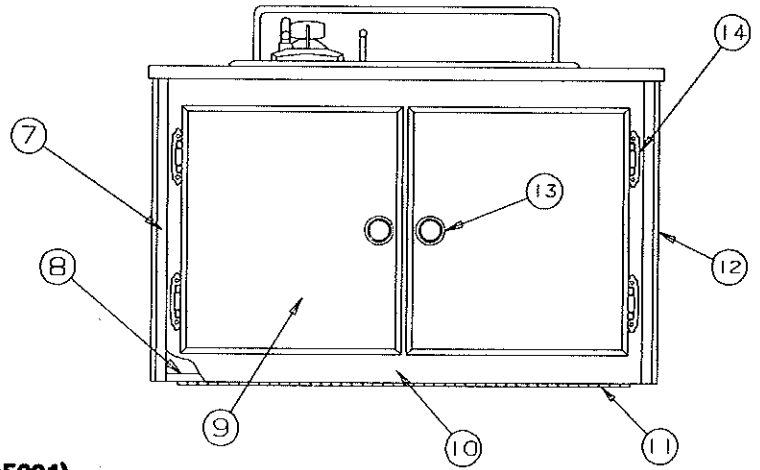
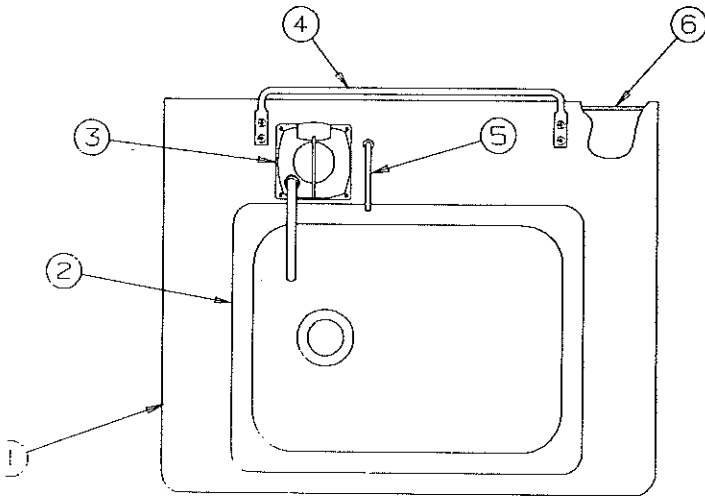
REPAIR PARTS



2796 RIO GRANDE - FRONT STORAGE AREA COMPONENT PARTS

CODE	PART NO.	DESCRIPTION
1	4751-1071	Lid hinge (plastic)
	4751-1211	Hinge angle (76 3/4")
2	4751-1551	Rivet x21 (arctic white) M25
3	4751-5321	Lid assembly (complete w/hinge & hardware)
4	4749B1441	Latch strike x3, M2
	4751-1248	Backing plate x3
	4751-1551	Rivet x2 per strike, M25
5	4746C0701	Support bracket
	4745-3968	Screw x2
6	4751-2821	End rail/rain gutter
7	4751-0971	Curbside cap
	1103E1018	Screw x4
8	4720A0721	Cooler clip x1, M2
	4737-8488	Screw x2
9	4751-1181	Prop rod
	4751-1208	Push nut x1
10	4751-1191	Prop rod bracket
	4737-8488	Screw x2
11	4751-0921	Cargo light
	1203-8951	Rivet x2 per light, M25
12	4751-110	Angle x3
13	4751-109	Angle x2
14	4751-0961	Roadside cap
	1103E1018	Screw x4
15	4751-0951	Front cap
	1103E1018	Screw x9
16	4745B1908	Coleman logo
17	4715F5051	Top latch (with lock)
	4745-3968	Screw x2 (arctic white)
18	4741C6041	Top latch x2 (without lock)
19	4751-5061	Front panel assembly
20	4060000025F	Lid seal - sold/foot 17' required
21	4060000027F	"D" seal - sold/foot 11' required
22	4751-5301	Storage compartment side (curbside)
23	4751-0981	Storage compartment door x2 (with lock & key)
24	4714G08481	Amber lens & base
	Refer to Page 8 for component parts	
25	4751-0491	Right front corner (curbside)
	4716-065	Screw x4
	4060400196F	Vinyl screw cover (1 1/2' required)
	4350000058F	Foam tape (1 1/2' required)
26	4350001333F	Trim tape (2 1/2' required)
27	4751-0501	Left front corner (roadside)
	NOTE: Refer to Code 25 for component parts	
28	4751-5311	Storage compartment side (roadside)
29	4750-2961	Lock assembly (less key)
	4716-0091	Key, M2 #7858 Illinois

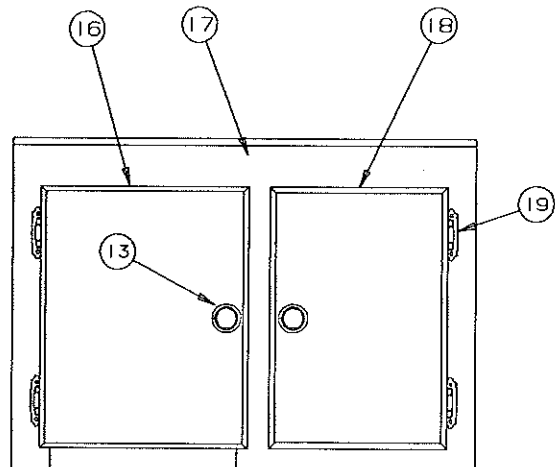
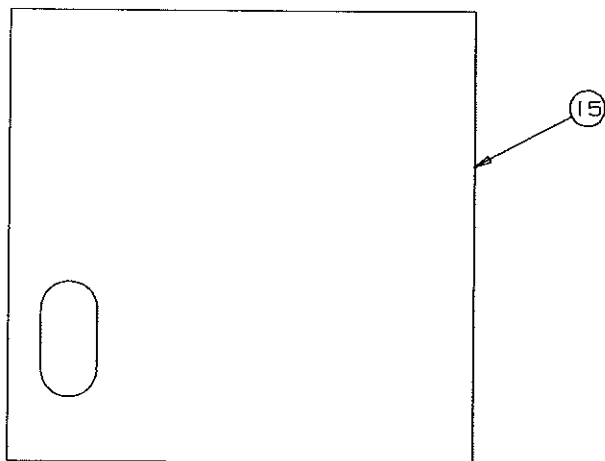
1995 DESTINY SERIES



UPPER GALLEY ASSEMBLY - 2770 ROANOKE (4747D5691)
LOWER GALLEY ASSEMBLY - 2770 ROANOKE (4747C568)

CODE	PART NO.	DESCRIPTION
1	4747D3311	Upper galley top 2770
	4060300078F	T-molding (7 1/2' required)
	NOTE: Upper galley top includes T-molding	
2	4710F0301	Sink
	Refer to Page 17 for sink component parts	
3	4734B0161	Water pump
	4716-081	Screw x4
4	4734D0991	Towel rack
5	4746-9071	Pump hold down bar & bracket
	4737-8478	Screw x3
	4742-8701	Flange bushing (plastic)
6	4747A3371	Upper galley back
7	4750A2651	Corner molding (plastic) x4

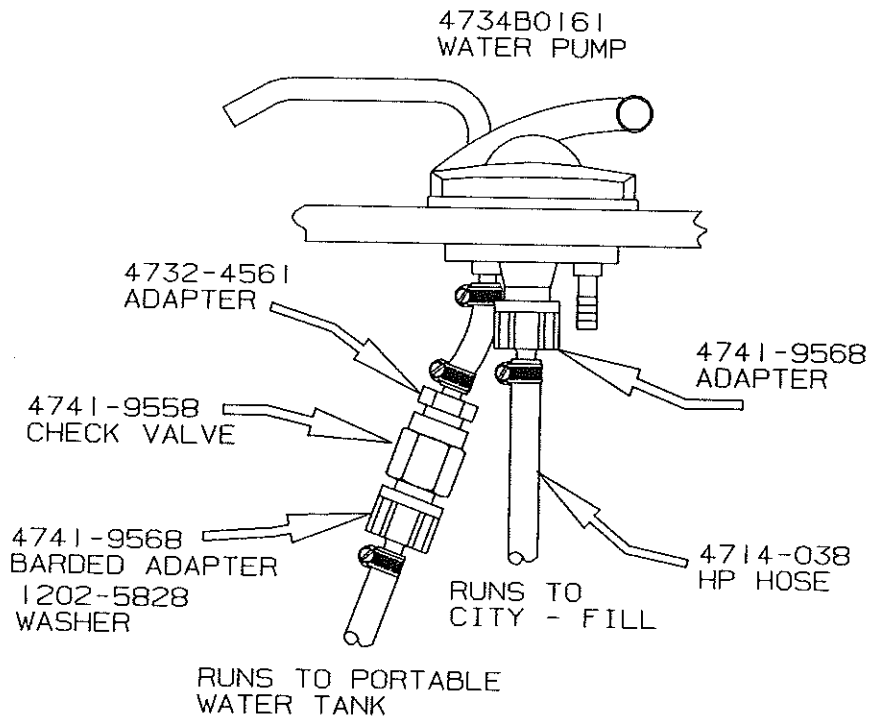
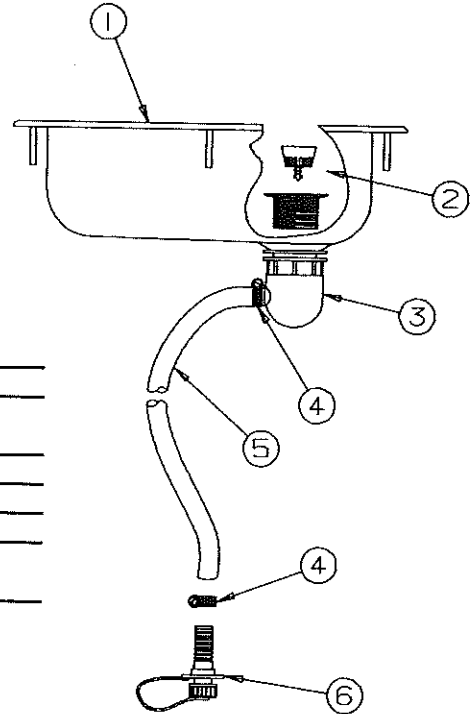
8	4747A3381	Upper galley bottom
9	4747C3411	Door panel x2
10	4747A3301	Upper galley front
11	4747-9671	Galley hinge (must cut to length)
12	4747A3131	Galley side x2
13	4748-3951	Door pull (includes screw)
14	4739B0518	Hinge "brite brass"
	NOTE: Refer to Page 20 for screws	
15	4747B3291	Lower galley top
16	4747C3401	Door panel
17	4747C3261	Galley front 2770
18	4747C3431	Door panel
19	4745C26188	Hinge (self closing)



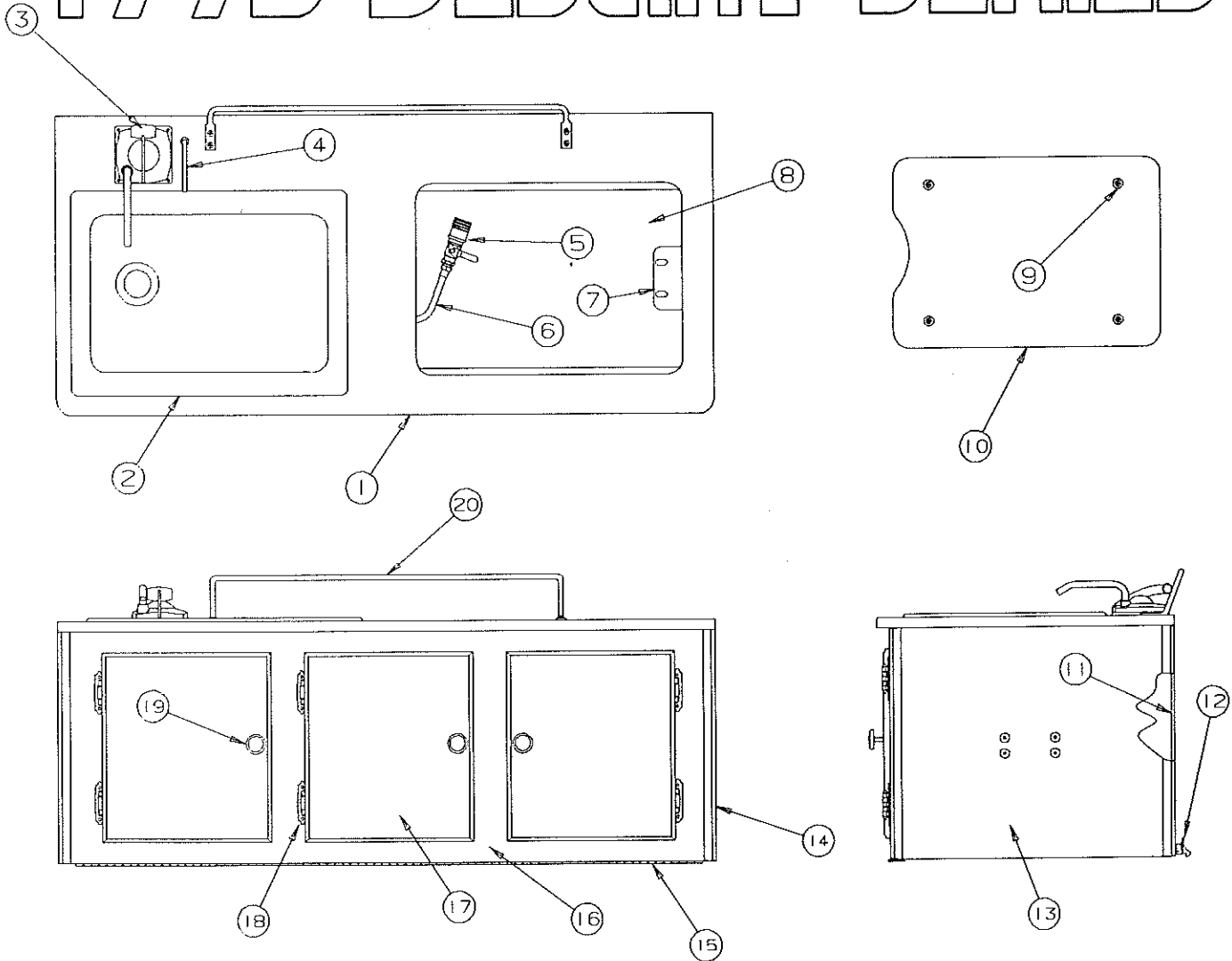
REPAIR PARTS

SINK & COMPONENT PARTS:

CODE	PART NO.	DESCRIPTION
1	4710F0301	Sink, stainless steel
2	4714B0661	Crumb cup "only"
	4730D3151	Crumb cup & basket
3	4734A0671	Drain trap, M2
4	4744-2678	Hose clamp
5	4742A8781	Drain hose (sold/5 ft lengths)
6	4734C0681	Drain spout, M2
	4714-0021	Cap & strap, M2



1995 DESTINY SERIES

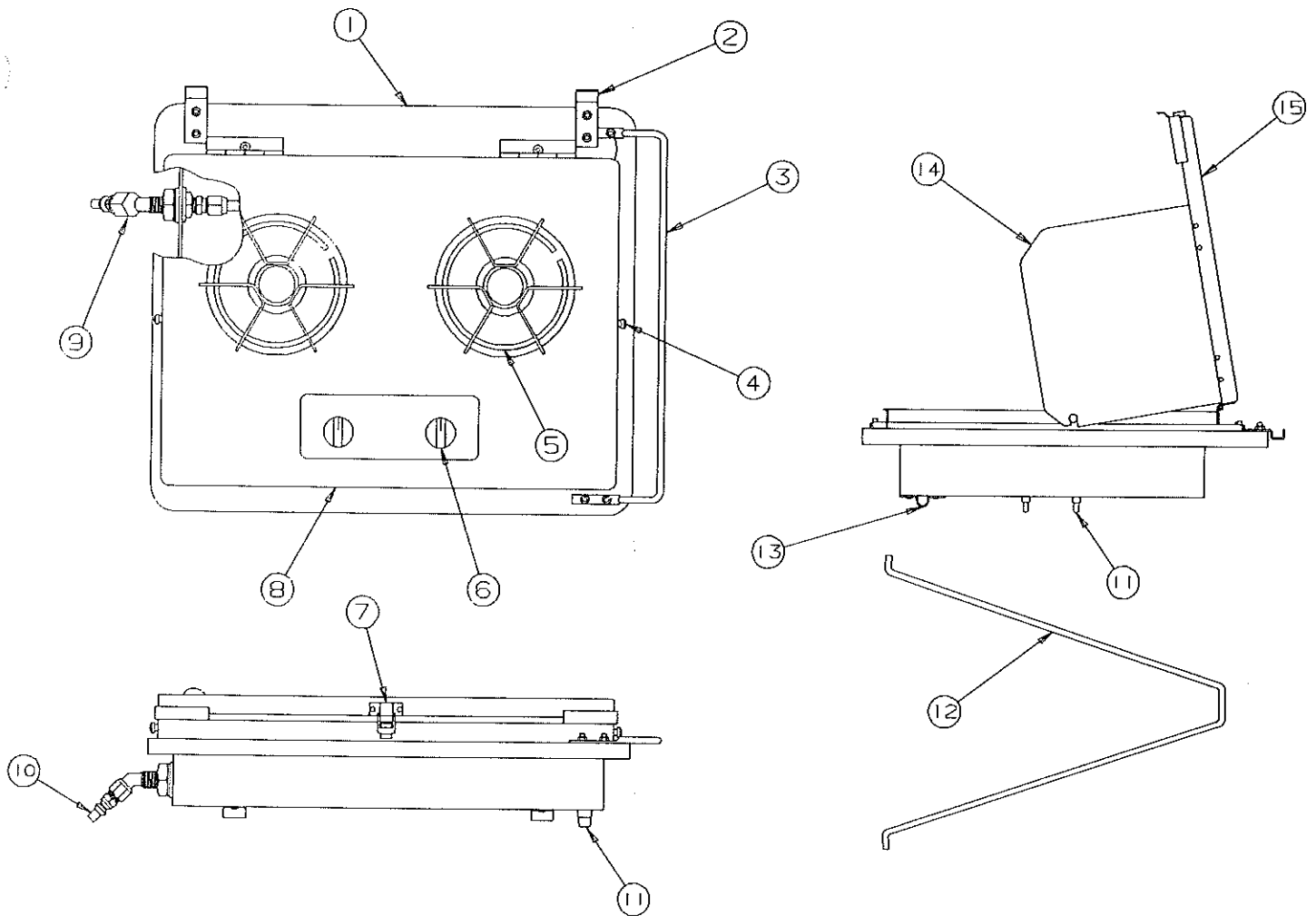


UPPER GALLEY ASSEMBLY - 2775 CEDAR (4749B6541)

CODE	PART NO.	DESCRIPTION
1	4749C9921 4060300078F	Upper galley top 2775 T-molding (15' required) NOTE: Upper galley top includes T-molding
2	4710F0301	Sink NOTE: Refer to Page 17 for sink component parts
3	4734B0161 4716-081	Water pump Screw x4
4	4746-9071 4737-8478 4742-8701	Pump hold down bar & bracket Screw x3 Flange bushing (plastic)
5	4749A9971	Gas quick disconnect
6	4746A8571	Gas hose 37" (flexible)
7	4750-3291 4744B4608	Stove hold down bracket Rivet x4 (elm)
8	4750-2521	Upper galley bottom 2775
9	4724-2608 4737-8488	Recessed bumper x4 Screw x4

10	4749C6551	Cutting board
11	4750-2531	Upper galley back 2775
12	4744-9261 4737-3208 4744A9271	Chicken latch Tek screw x2 Strike M2
13	4747B3131	Wood side panel
14	4750A2651	Corner molding (plastic) x4
15	4747-9671	Galley hinge
16	4750-2541	Upper galley front
17	4747C3411	Door panel
18	4739B0518	Hinge "brite brass" NOTE: Refer to Page 20 for screws
19	4748-3951	Door pull (includes screws)
20	4734D0841	Towel bar

REPAIR PARTS



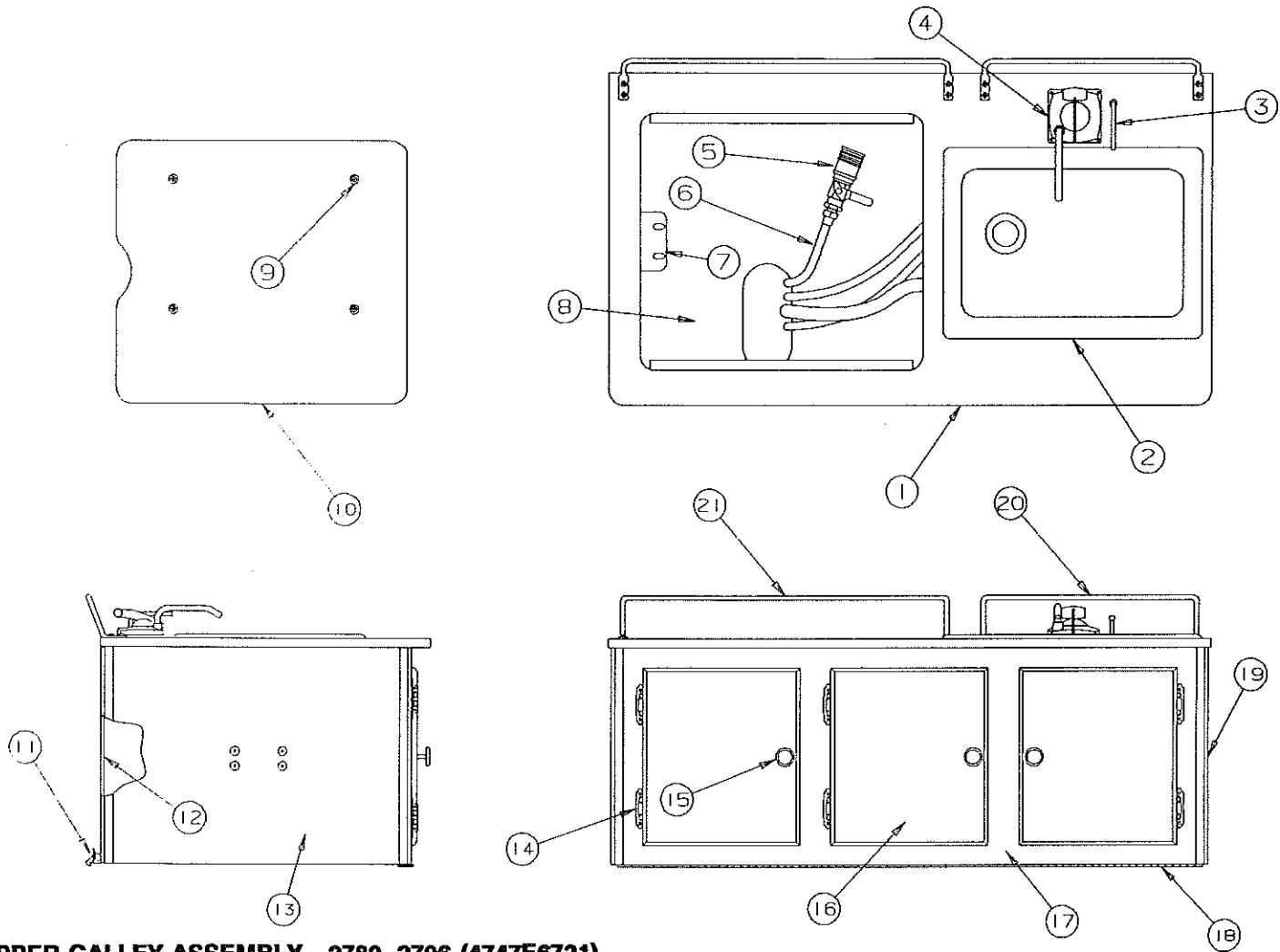
LIFT OUT STOVE ASSEMBLY 2770, 2775 (4749B6561)

CODE PART NO. DESCRIPTION

1	4749B9981	Stove counter top
2	4746-8621	Stove bracket x2
	4716-056	Countersunk screw
	1201B6958	Nut
3	4748-2591	Towel rack
	NOTE: Refer to Code 2 for screw & nuts	
4	4716A0881	Thumb screw x2, M6
5	4716-1851	Grate x2
6	4716-1861	Knob x2
7	4733-4018	Stove cover latch
	1203-8558	Rivet x2 per latch
	4733-4028	Strike
	4737-8478	Screw

8	4744D2381	2 Burner stove top
9	4716A7771	Gas line disconnect package
10	4749A9998	Male plug w/orifice
11	1226D1538	Latch
	1203-8951	Rivet x2 per latch, M25
12	4748-2731	Stove support leg
13	4746C0701	Support bracket x2
	4733D0601	Rivet, M25
14	4749B9931	Stove fin x2
	4741A4401	Hinge (x2 per hinge)
	1203-8558	Rivet (rivet hinge to fin)
15	4749B6601	Stove cover
	4737-3211	Rubber button x2, M8

1995 DESTINY SERIES

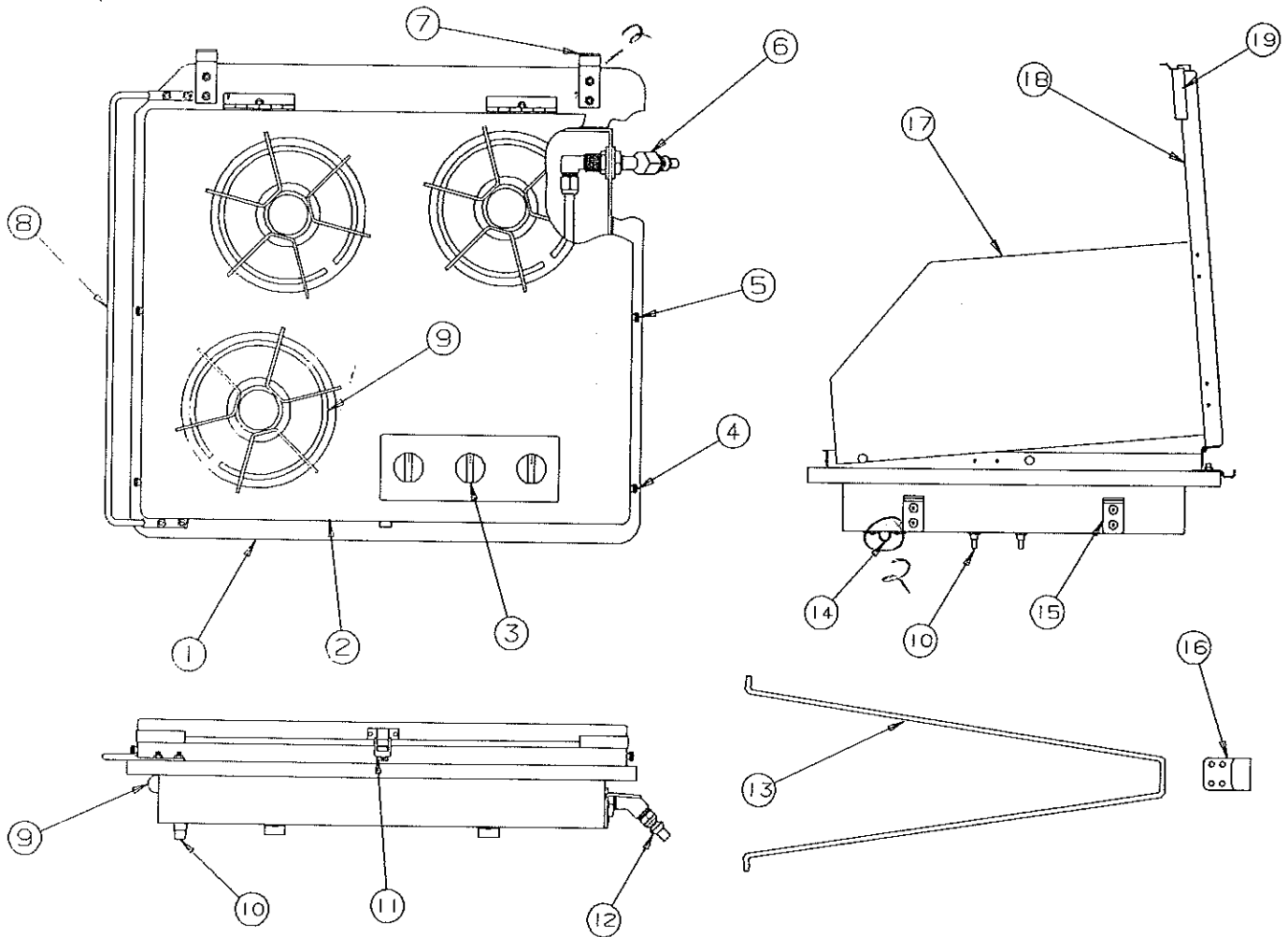


UPPER GALLEY ASSEMBLY - 2789, 2796 (4747E6721)

CODE	PART NO.	DESCRIPTION
1	4747F4391	Upper galley top 2789, 2796
	4060300078F	T-molding (17' required)
	NOTE: Upper galley top includes T-molding	
2	4710F0301	Sink
	NOTE: Refer to Page 17 for sink component parts	
3	4746-9071	Pump hold down bar & bracket
	4737-8478	Screw x3
	4742-8701	Flange bushing (plastic)
4	4734B0161	Water pump
	4716-081	Screw x4
5	4749A9971	Gas quick disconnect
6	4746A8571	Gas hose 37" (flexible)
7	4750-3291	Stove hold down bracket
	4744B4608	Rivet x4 (elm)
8	4746A8601	Upper galley bottom 2789, 2796
9	4724-2608	Recessed bumper x4
	4737-8488	Screw x4
10	4748C6451	Cutting board
11	4744-9261	Chicken latch
	4737-3208	Tek screw x2
	4744A9271	Strike, M2 (located on lower galley top)

12	4747B4981	Upper galley back
13	4746A8651	Wood side panel
14	4739B0518	Hinge "bright brass"
	4749B4118	1/2" Screw (2 per hinge)
	4749B4598	3/8" Screw (3 per hinge)
15	4748-3951	Door pull (includes screw)
16	4747C3411	Door panel
17	4747B4361	Upper galley front 2789, 2796
18	4747-9671	Galley hinge
19	4750A2651	Corner molding (plastic) x4
20	4734D0991	Towel bar (small)
21	4734D0841	Towel bar (large)

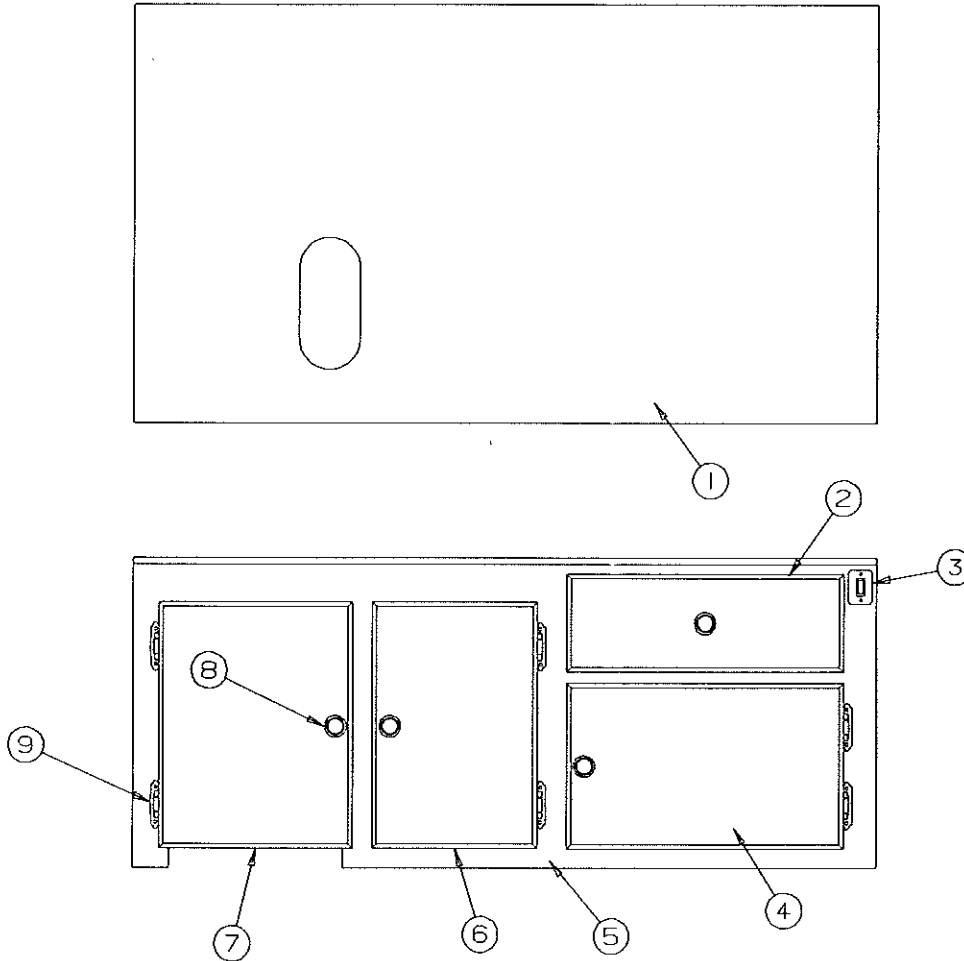
REPAIR PARTS



LIFT OUT STOVE ASSEMBLY 2789, 2796 (4748A6441)

CODE	PART NO.	DESCRIPTION
1	4746B8331	Stove counter top 2789, 2796
2	4746-8561	3 Burner stove top 2789, 2796
3	4716-1861	Knob x3
4	4746-8661	Thumb screw & nut (plastic) M6
5	4716A0881	Thumb screw M6
6	4716A7771	Gas line disconnect pkg
7	4746-8621	Stove bracket
	4716-056	Countersunk screw x2
	1201B6958	Nut x2
8	4746-8631	Towel bar
	NOTE: Refer to Code 7 for nut & screws	
9	4737-3211	Rubber button, M8
10	1226D1538	Latch
	1203-8951	Rivet x2 per latch, M25
11	4733-4018	Stove cover latch
	1203-8558	Rivet x2 per latch
	4733-4028	Stove strike
	4737-8478	Screw
12	4749A9998	Male plug with orifice
13	4746-8591	Stove support leg
14	4746C0701	Support bracket x2
	4733D0601	Rivet x2 per bracket, M25
15	4746-8321	Stove bracket x2
16	4737B9331	Stove support leg bracket
	4741-9108	Tex screw x4
17	4746-8541	Stove fin x2
	4741A4401	Hinge (x2 per hinge)
	1203-8558	Rivet (rivet hinge to fin)
18	4748-6461	Stove cover (complete w/hardware)
19	4732A2291	Edge molding x2, M2

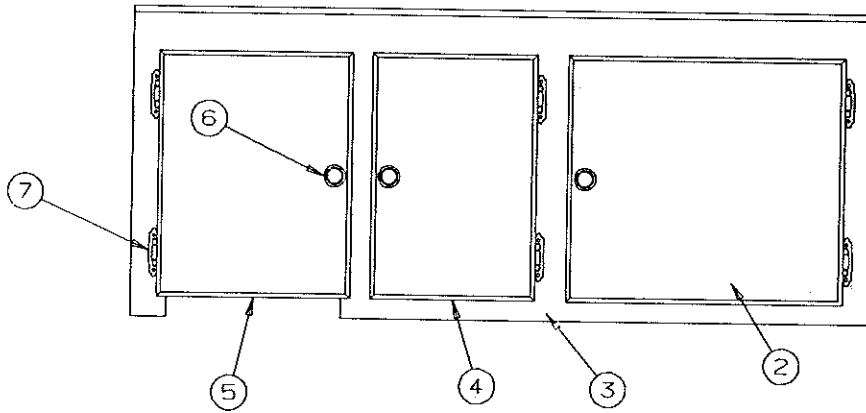
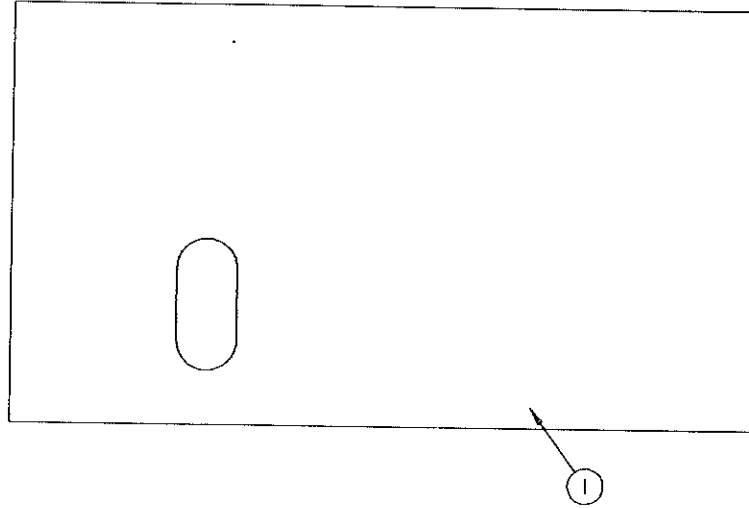
1995 DESTINY SERIES



LOWER GALLEY ASSEMBLY - 2789, 2796

CODE	PART NO.	DESCRIPTION
1	4747C4371	Lower galley top, 2789, 2796
2	4747E5821	Drawer assembly, 2789, 2796
3	4751-1161	Rocker switch "lighted" (2796 only)
	4738-3088	Screw x2
4	4747D3441	Door panel, 2789, 2796
5	4747C4301	Lower galley front, 2789
	4747C43081	Lower galley front, 2796
6	4747C3431	Door panel 2789, 2796
7	4747B3401	Door panel 2789, 2796
8	4748-3951	Door pull (includes screws)
9	4745C26188	Hinge (self closing)

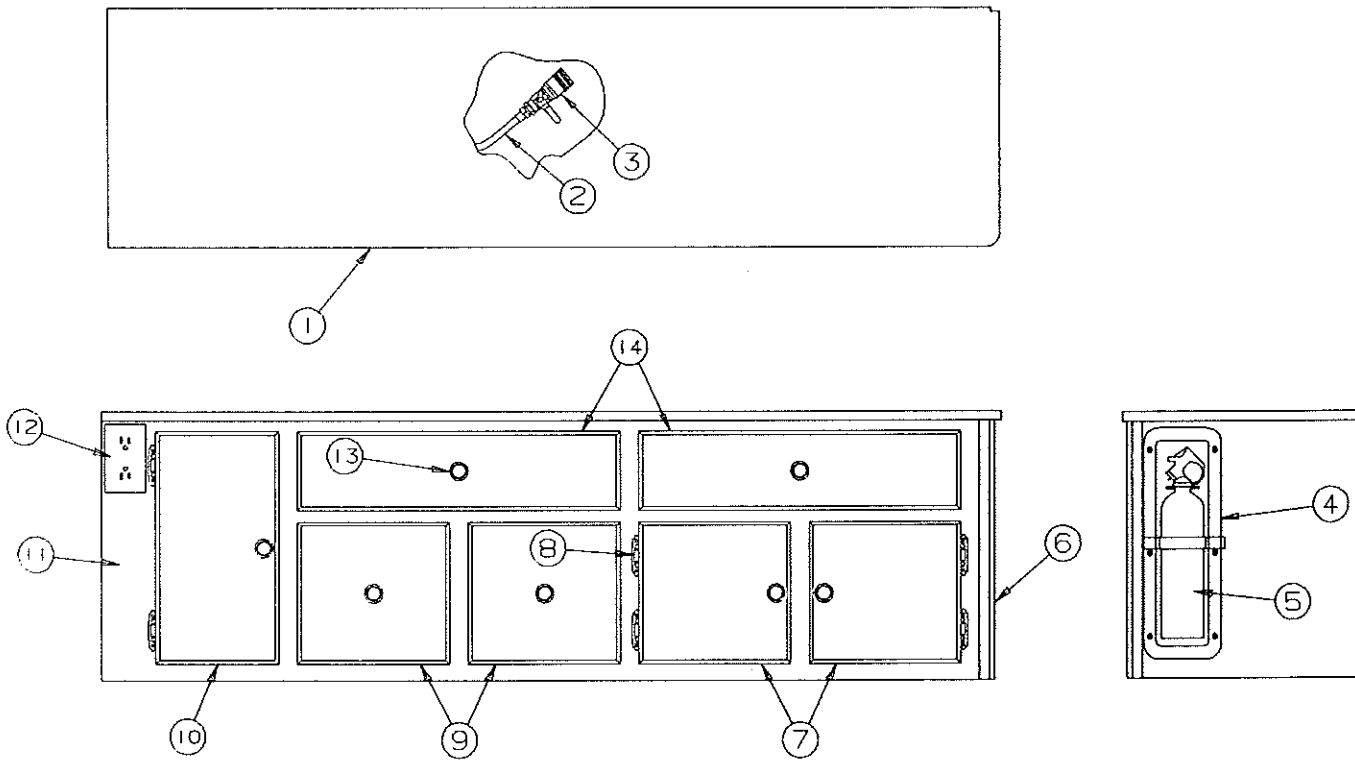
REPAIR PARTS



LOWER GALLEY ASSEMBLY - 2775 CEDAR

CODE	PART NO.	DESCRIPTION
1	4747C4371	Lower galley top 2775
2	4749A9911	Door panel
3	4747C4301	Lower galley front
4	4747C3431	Door panel
5	4747B3401	Door panel
6	4748-3951	Door pull (includes screws)
7	4745C26188	Hinge (self closing)

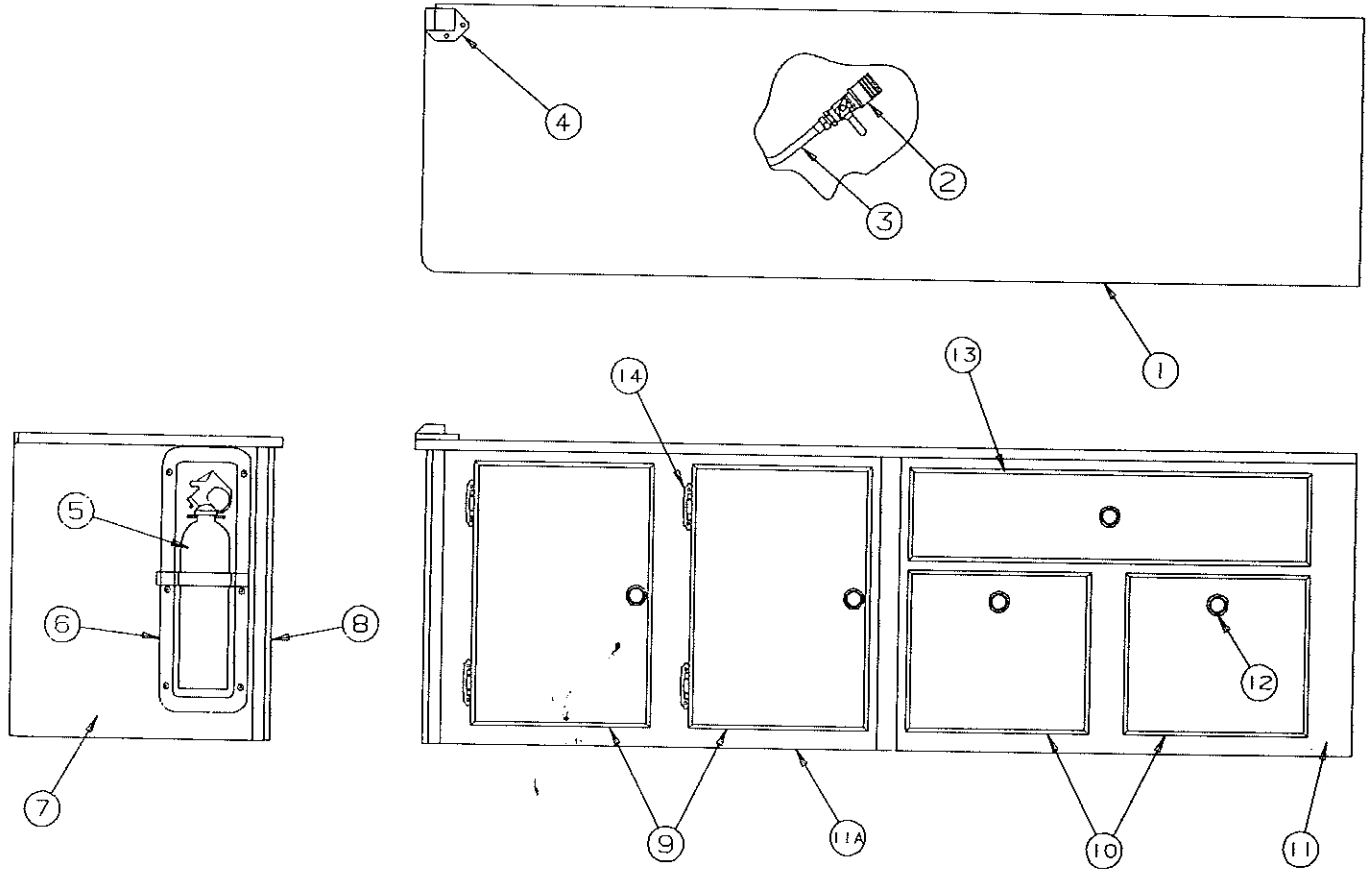
1995 DESTINY SERIES



HUTCH ASSEMBLY - 2796 RIO GRANDE

CODE	PART NO.	DESCRIPTION
1	4751-0241	Hutch top 2796
	4716A178	T-molding "elm" 6 1/2' required
NOTE: Hutch top includes T-molding		
2	4747A2081	Gas hose (22")
3	4749A9971	Gas quick disconnect
4	4737B4198	Recessed mount
5	4737A5558	Fire extinguisher
6	4748-8661	Corner molding M2 (plastic)
7	4751-0251	Door panel x2
8	4745C26188	Hinge (self closing)
9	4751-5031	Drawer assembly x2
10	4751-0441	Door panel
11	4751-022	Hutch front
12	4710B3551	15 AMP Receptacle (brown)
13	4748-3951	Door pull (includes screws)
14	4751-5041	Drawer assembly x2

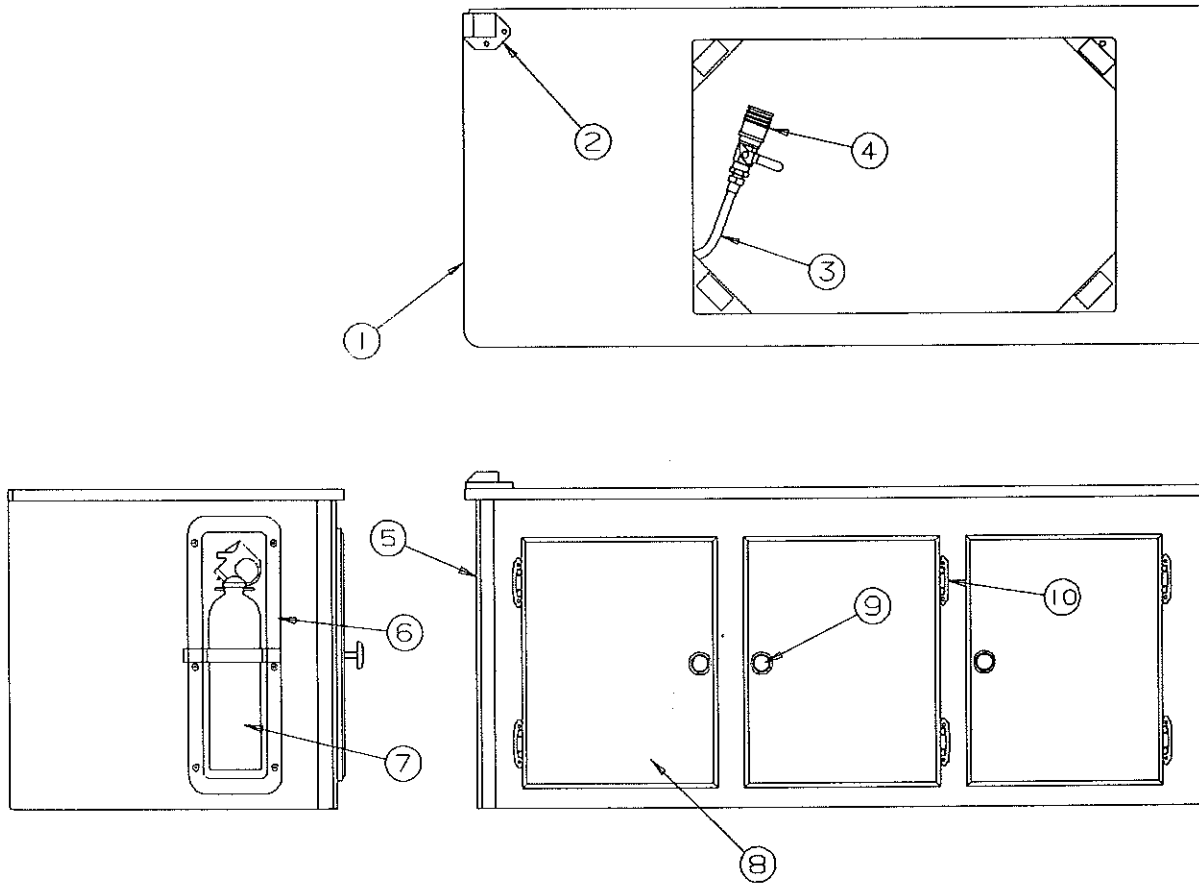
REPAIR PARTS



HUTCH ASSEMBLY - 2789 ROYALE

CODE	PART NO.	DESCRIPTION
1	4747D4551	Hutch top 2789
	4716A178	T molding 5/8" elm
	NOTE: Hutch top includes T-molding	
2	4749A9971	Gas quick disconnect
3	4747A2081	Gas hose (22")
4	4747A4781	Bed slide wedge
5	4737A5558	Fire extinguisher
6	4737B4198	Recessed mount
7	4747D975	Hutch side
8	4748-8661	Corner molding M2 (plastic)
9	4749B8941	Door panel x2
10	4749C62481	Drawer assembly x2
11	4750-267	Hutch front x1
11A	4750-268	Hutch front x1
12	4748-3951	Door pull
13	4749C6251	Drawer assembly
14	4745C26188	Hinge

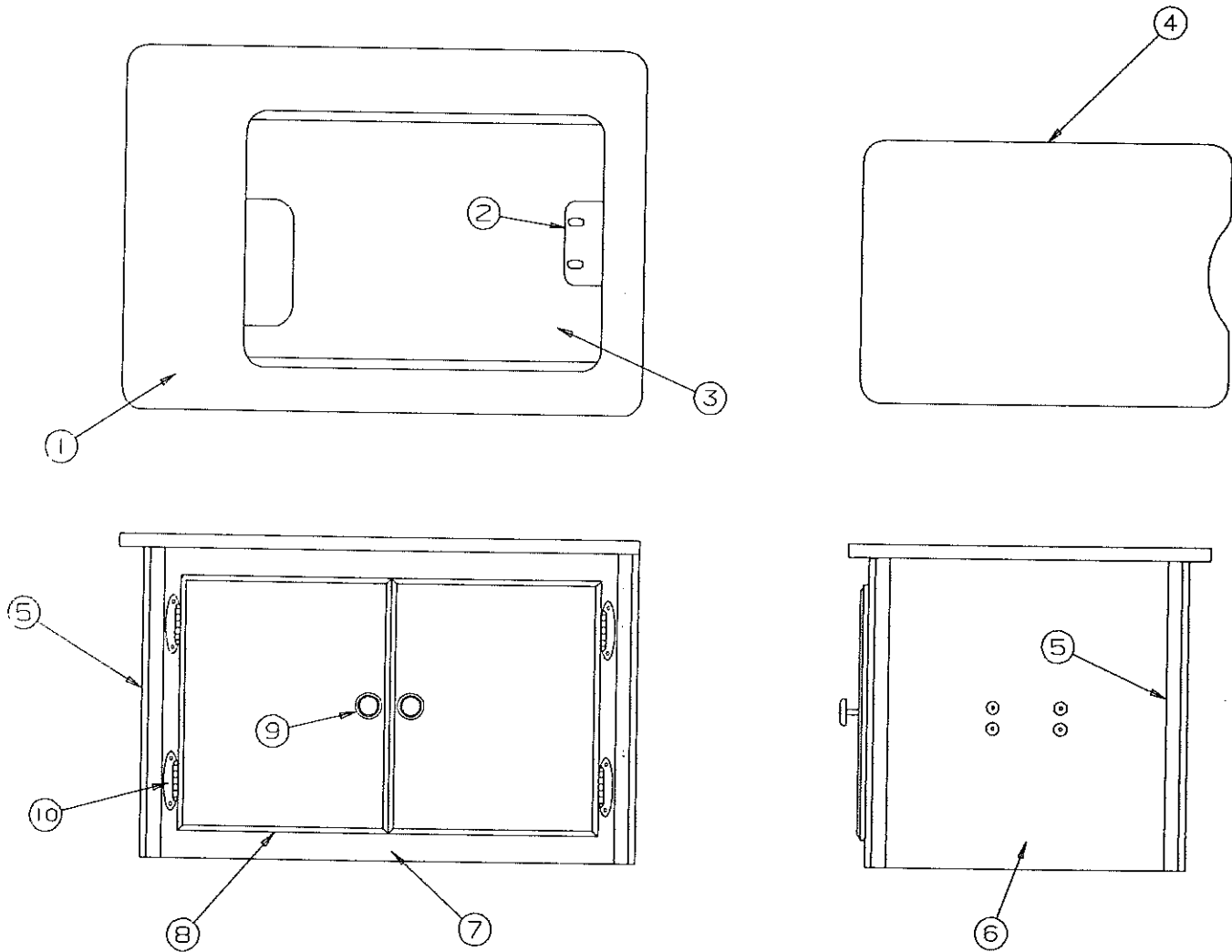
1995 DESTINY SERIES



HUTCH ASSEMBLY, 2770 ROANOKE (4747C566)

CODE	PART NO.	DESCRIPTION
1	4747D3331	Hutch top 2770
	4060300078F	T-molding (13' required)
	NOTE: Hutch top includes T-molding	
2	4747A4781	Bed slide wedge
3	4746A8571	Gas hose
4	4749A9971	Gas quick disconnect
5	4748-8661	Corner molding M2 (plastic)
6	4737B4198	Recessed mount
7	4737A5558	Fire extinguisher
8	4747C3401	Door panel x3
9	4748-3951	Door pull (includes screw)
10	4745C26188	Hinge (self closing)

REPAIR PARTS



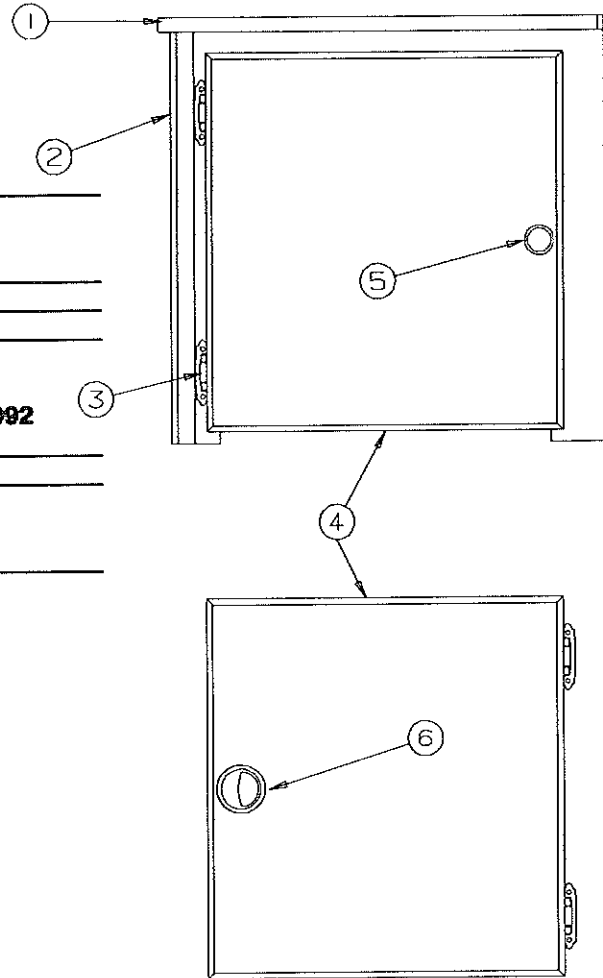
STOVE BOX ASSEMBLY - 2770 ROANOKE (4746A6521)

CODE	PART NO.	DESCRIPTION
1	4742B8141	Box top
2	4750-3291	Stove hold down bracket
	4744B4608	Rivet x4 (elm)
3	4742A8151	Box bottom
4	4749C6551	Cutting board
5	4748-8661	Corner molding (plastic) M2
	NOTE: must cut molding to size	
6	4742A818	Box side x2
7	4742A817	Box front
8	4747C3411	Door panel x2
9	4748-3951	Door pull (includes screw)
10	4739B0518	Hinge "bright brass"

1995 DESTINY SERIES

STORAGE CABINET - 2770, 2775 (4747C567)
STORAGE CABINET - 2789 (4747D647)
STORAGE CABINET - 2796 (4751-509)

CODE	PART NO.	DESCRIPTION
1	4747B3321	Cabinet top 2770, 2775
	4747D4311	Cabinet top 2789
	4751-0581	Cabinet top 2796
2	4748-8661	Corner molding M2 (plastic)
3	4745C26188	Hinge (self closing)
4	4747D3441	Door panel (all)
	4747E3441	Door panel 2797 only
NOTE: Trailers produced after November, 1992 will use 4747E3441 door panel & latch		
5	4750-0771	Ring door pull
6	4751-1591	Round latch (brown)
	4751-158	Latch strap
	4746-8358	Latch strike



DRAPES WITH/SLIDE TABS (OLD STYLE)
TRAILERS PRODUCED BEFORE AUGUST 18, 1992

Destiny Series	Drape Drape Pkg	No. of Panels	Color
2770 Roanoke	4748A6531	4	Blue
2775 Cedar	4748A6531	4	Blue
2789 Royale	4724C8371	4	Blue
2796 Rio Grande	4714-5441	4	Blue

DRAPES WITH/C-CLIPS (NEW STYLE)
TRAILERS PRODUCED AFTER AUGUST 18, 1992

Destiny Series	Drape Drape Pkg	No. of Panels	Color
2770 Roanoke	4748B6531	4	Blue
2775 Cedar	4748B6531	4	Blue
2789 Royale	4724D8371	4	Blue
2796 Rio Grande	4751-5441	4	Blue

Component Parts

- 4725A1981 Plastic drape tab, M100 (old style)
- 4750-2891 Drape Tab C-Shape M60 (new style)

DRAPE TIE PKG (Qty 1)

- 4716A8831 Tieback "All Destiny"

SINGLE DRAPE PANEL W/SAFETY STRAP

- 4716B2211 Blue w/slide tabs (all) (old style)
- 4716C2211 Blue w/c-clips (all) (new style)

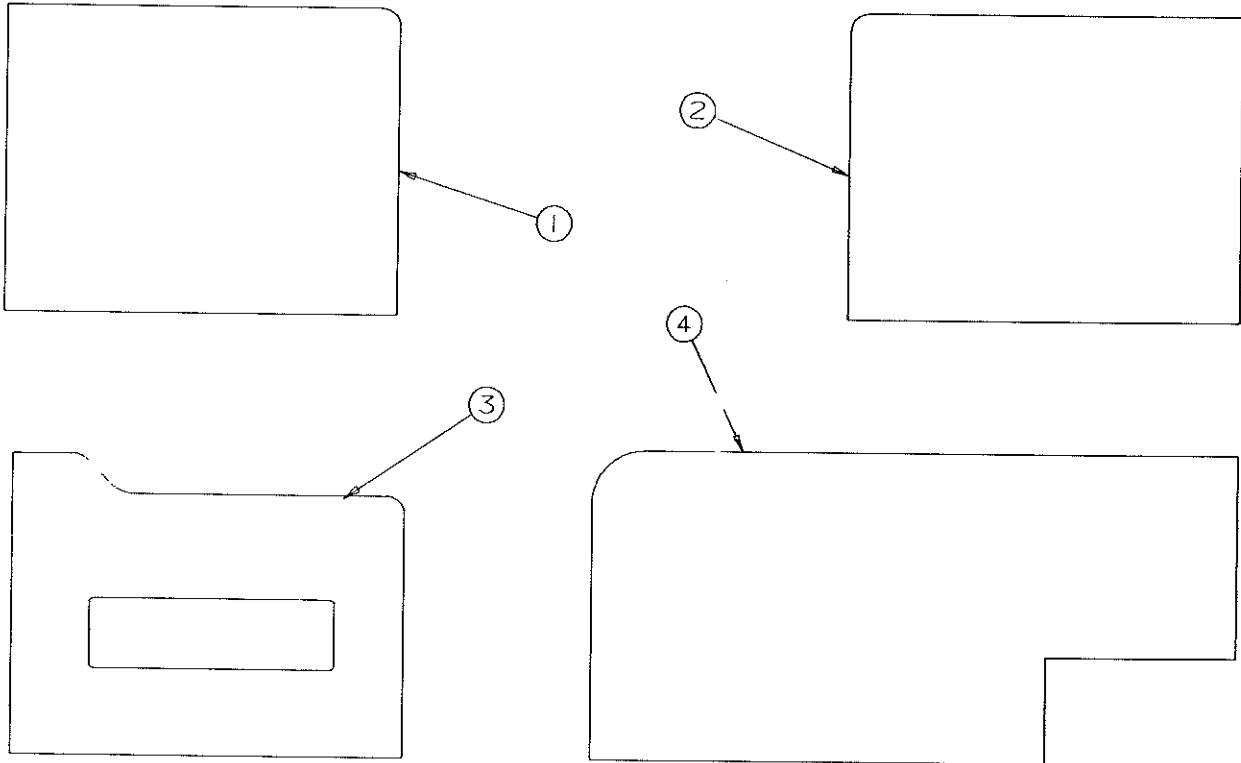
VALANCE PACKAGE WITH SLIDE TABS (OLD STYLE)

- 2770, 2775 4716-7701 1 small, 1 large valance
- 2789 4716-7711 1 small, 1 large valance
- 2796 4716-7721 1 small, 1 large valance

VALANCE PACKAGE WITH C-CLIPS (NEW STYLE)

- 2770, 2775 4716A7701 1 small, 1 large valance
- 2789 4716A7711 1 small, 1 large valance
- 2796 4716A7721 1 small, 1 large valance

REPAIR PARTS



DESTINY SERIES SEAT COMPONENT PARTS

Code	Part No.	Description
1	4749C09681	Seat end 2770
	4749C9161	Seat end 2789, 2796
2	4749C09681	Seat end 2770
	4749C9211	Seat end 2789, 2796
3	4749B9881	Seat end 2775
4	4747C3461	Seat gazoodi 2770
	4749B9171	Seat gazoodi 2789
	4751-0611	Seat gazoodi 2796
5	4749B9871	Table rest (all) (not shown) (must cut to size)

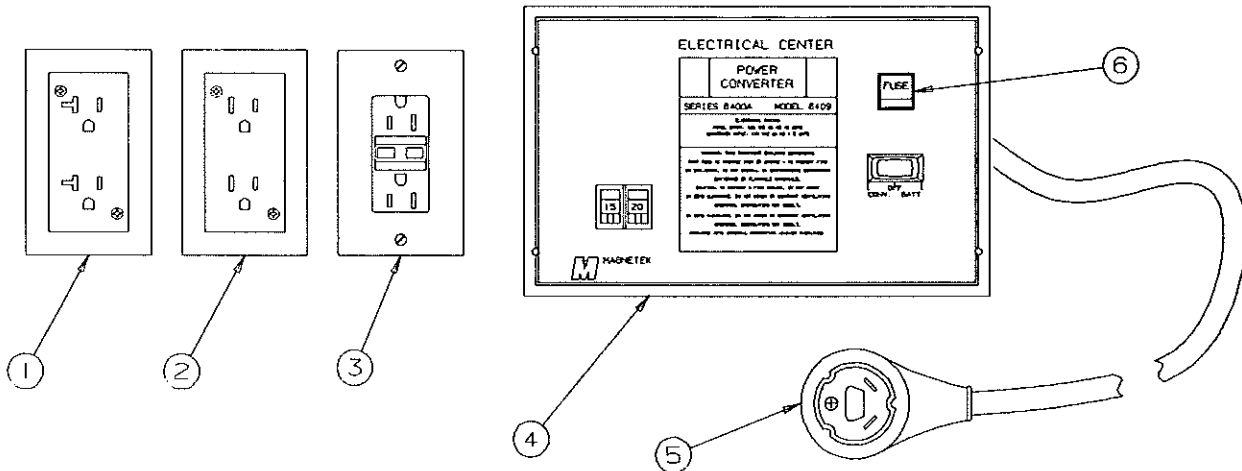
DESTINY SERIES CUSHIONS AND BACKREST ASSEMBLIES

Destiny Series	Cushion		Backrest	
	Assembly	Cover	Assembly	Cover
2770 Roanoke	4747B5801	4716B5801	4747B5811	4716B5811
2775 Cedar	4749B6581	4716B6581	4749B6571	4716B6571
2789 Royale	4749B6351	4716B6351	4747C6651	4714C6651
2796 Rio Grande	4749B6351	4716B6351	4747C6651	4714C6651

REFERENCE DIMENSIONS

Model	Cushion	Backrest
2770	35 3/4" x 15" x 4"	35 3/4" x 14 1/4" x 4"
2775	40 5/8" x 19 1/2" x 4"	40 5/8" x 17 1/4" x 4"
2789	38 3/8" x 15" x 4"	37 3/8" x 15 5/8" x 4"
2796	38 3/8" x 15" x 4"	37 3/8" x 15 5/8" x 4"

1995 DESTINY SERIES



CONVERTER AND RELATED PARTS

CODE	PART NO.	DESCRIPTION
1	4744-3081	Receptacle w/cover "20 AMP" (brown)
2	4710B3551	Receptacle w/cover "15 AMP" (brown)
3	4746A3841	Ground fault receptacle w/cover (brown)
4	4742-9811	9 AMP Converter, w/o receptacle (all except 2796)
	4744A4751	9 AMP Converter w/receptacle (2796 only)
5	4744-3101	Power cord 30 ft. (all)
6	4714-3411	Fuse cap, M4

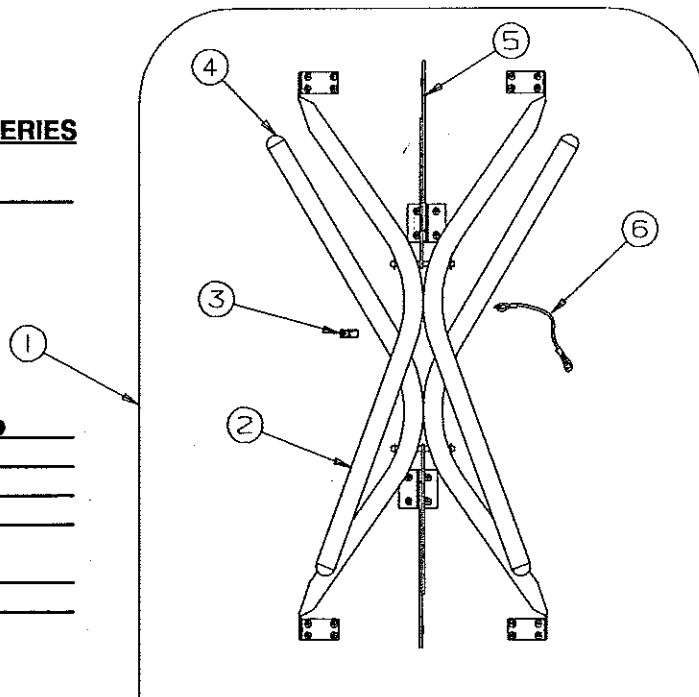
To order service parts for converters please write or phone:

Customer Service Department
MAGNETEK INC.
721 North Webster Street
Kokomo, IN 46901

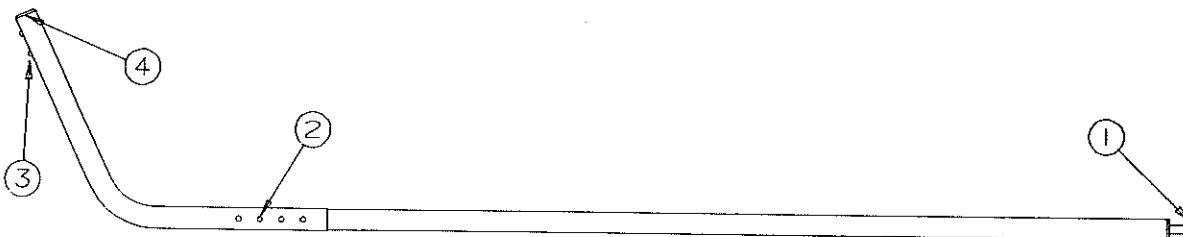
Phone: 317/452-5444

DINETTE TABLE ASSEMBLY - 2700 DESTINY SERIES

CODE	PART NO.	DESCRIPTION
1	4747C4121	Table top 2770 23 1/2" x 36"
	4748C2761	Table top 2775 30" x 39"
	4747C4351	Table top 2789, 2796 29 1/2" x 36"
	4060300078F	T molding (blue) 3/4"
NOTE: T-molding included on table top		
2	4745A52781	Table leg, M2
3	4720D4021	Lashing hook, M6
4	4720C3928	Table leg cap
5	4720A1501	Lock brace package
	4737-8488	Screw x4
6	4720B5951	Table strap, M4



REPAIR PARTS



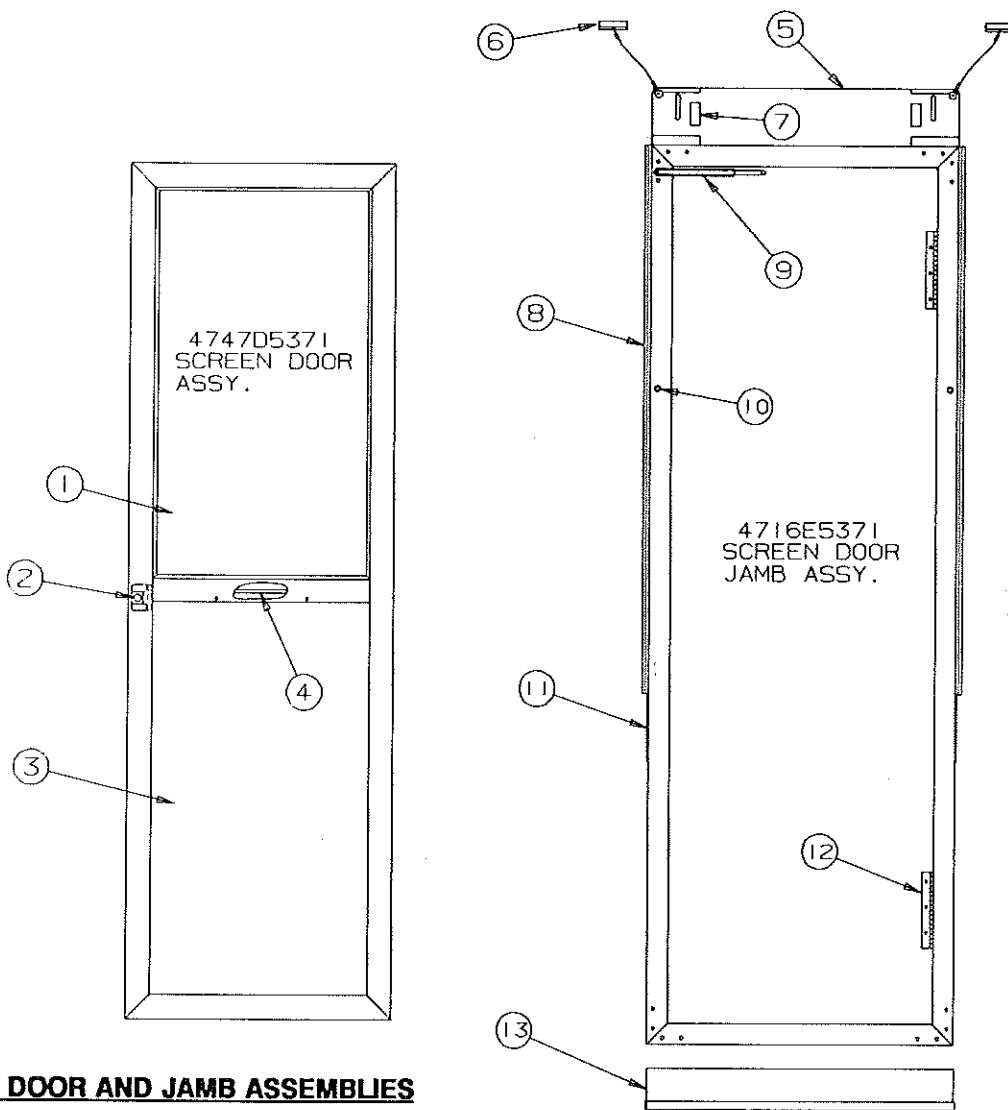
TENT SUPPORT ASSEMBLIES (COMPLETE)

MODEL	FRONT BED	REAR BED	CODE	PART NO.	DESCRIPTION
2770	4747A5731	4747A5731	1	8470-1728	Pole pin, x1 (blue)
2775	4747A5731	4747A5731	2	4734-6708	Spring assy x1
2789	4747A6641	4747A5731	3	4734A6708	Spring assy x1
2796	4747A6641	4747A5731	4	4730B4648	Tube closure x1
				4733-4118	Tek screw x1

EVOLUTION III ASSEMBLIES & COMPONENTS

CODE	PART NO.	DESCRIPTION
1	4747B65351	Front boot, 2770, 2775
	4747B66851	Front boot, 2789, 2796
2	4747B65351	Rear boot, 2770, 2775, 2789, 2796
3	4747B65051	Large window, 2770, 2775
	4747B66851	Large window, 2789, 2796
4	4747B65251	Small window, 2770, 2775
	4747B66751	Small window, 2789
	4751-52951	Small window, 2796
5	4748-66351	Door seal, 2770, 2775
	4748-66451	Door seal, 2789
	4751-53351	Door seal, 2796
6	4060100056F	Door seal extrusion 46" rubber (sold/ft)
7	4714D1611	Screen package (84" x 3 yds)
	4714-0361	Screen package (84" x 13 yds)
8	4716-2401	Clear window vinyl (41" x 2 yds)
9	4716A0851	Evolution patch pkg (12" x 14")
10	4716-3301	Evolution package (54" x 2 yds)
11	8119901429	Top vinyl, (grey/with warm grey back)
12	8118001432	Bottom vinyl (pacific blue)
13	8110300101	Yellow 3" highlight strip
14	8160000320F	Bias binding (grey)
15	4060000024F	Arrowhead seal (sold/foot)
16	4060000055	Vinyl tubing 5/16" dim.
17	4060000045F	1/4" Shock cord (sold/foot)
18	4714B6021	Shock cord & crimps M2, 14' lengths
19	4724-2011	Shock cord crimps, M10
20	6650500130F	Zipper (grey) around windows (sold/yd)
21	1225-4461	Zipper pull, M5 (grey) around windows
22	1225-3658	Zipper pin half (grey) 52"
23	1225-3668	Zipper slider half (grey) 52"
24	4743-1588	K Kote seam sealer
25	4735A6721	Extension harness (wire & plugs)
26	1226-1228	Brass grommet w/teeth (round)

1995 DESTINY SERIES



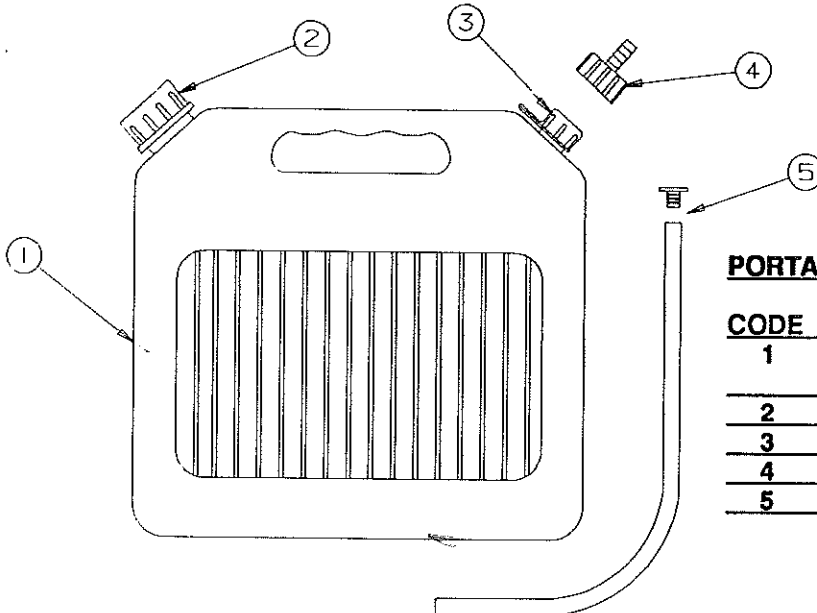
SCREEN DOOR AND JAMB ASSEMBLIES

4747D5371 Screen door assembly (all)
 4716E5371 Screen door jamb assembly (all)

CODE	PART NO.	DESCRIPTION
1	4716-8801	Sliding window pane
2	4742-9671	Latch package
3	4737C8771	Kick plate
4	4749-8861	Drip seal
5	4749A8451	Top bracket
6	4734D5211	Cable assembly x2, M6
	1203-8741	Rivet x2, M25
	4733-3398	Plastic bushing x2
7	4350000005F	Velcro hook (sold/foot)

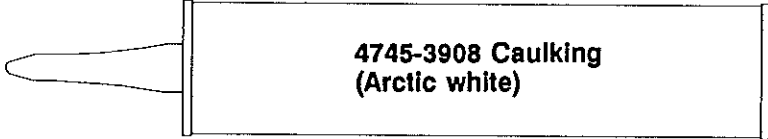
8	4747-4501	Door seal (plastic)
	1203-8651	Rivet x2, M50
	1203-8641	Rivet x8, M50
9	4731A8201	Spring package
10	4730A3548	Stud w/screw
11	4350000005F	Velcro hook (sold/yard)
12	4720C3601	Hinge x2
	1203-8631	Rivet x3, M50
13	4747-5621	Screen door support
	4060000399F	Rubber seal (sold/foot)

REPAIR PARTS



PORTABLE WATER SYSTEM

CODE	PART NO.	DESCRIPTION
1	4735-2131	Water tank (complete) (5 gallon)
	4735C0988	Water decal
2	4714-0231	Large white cap
3	4714-0221	Small cap w/tie-on
4	4714-0241	Barb stem & collar
5	4714A0671	Suction stem



4745-3908 Caulking
(Arctic white)

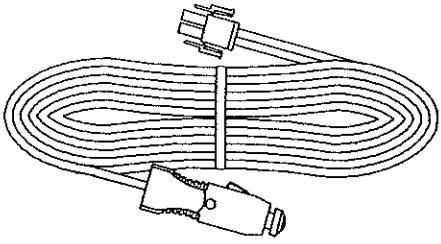
1201C6368
Locknut



4747-5891 Spare tire mount
(standard equipment)



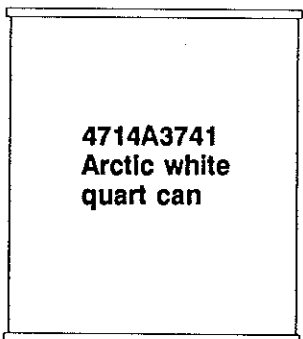
1201B6618
Lug nut



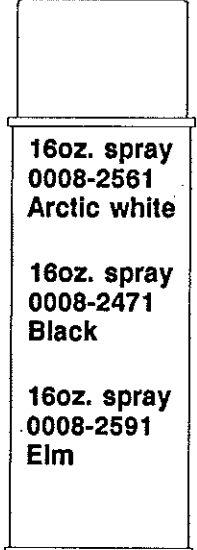
4733C6701
Auto extension



4716-4701
12 Volt cap & plug



4714A3741
Arctic white
quart can

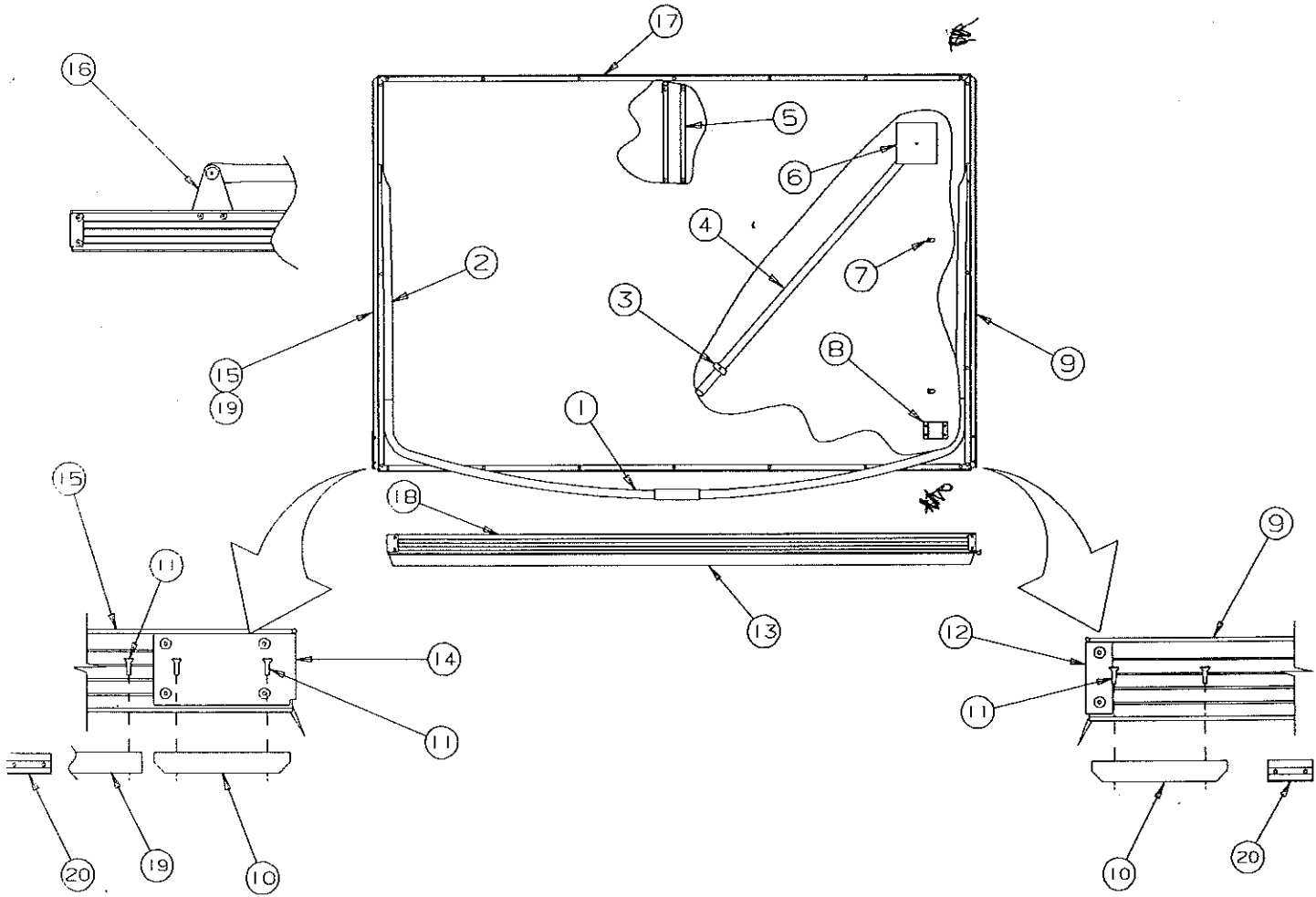


16oz. spray
0008-2561
Arctic white

16oz. spray
0008-2471
Black

16oz. spray
0008-2591
Elm

1995 DESTINY SERIES



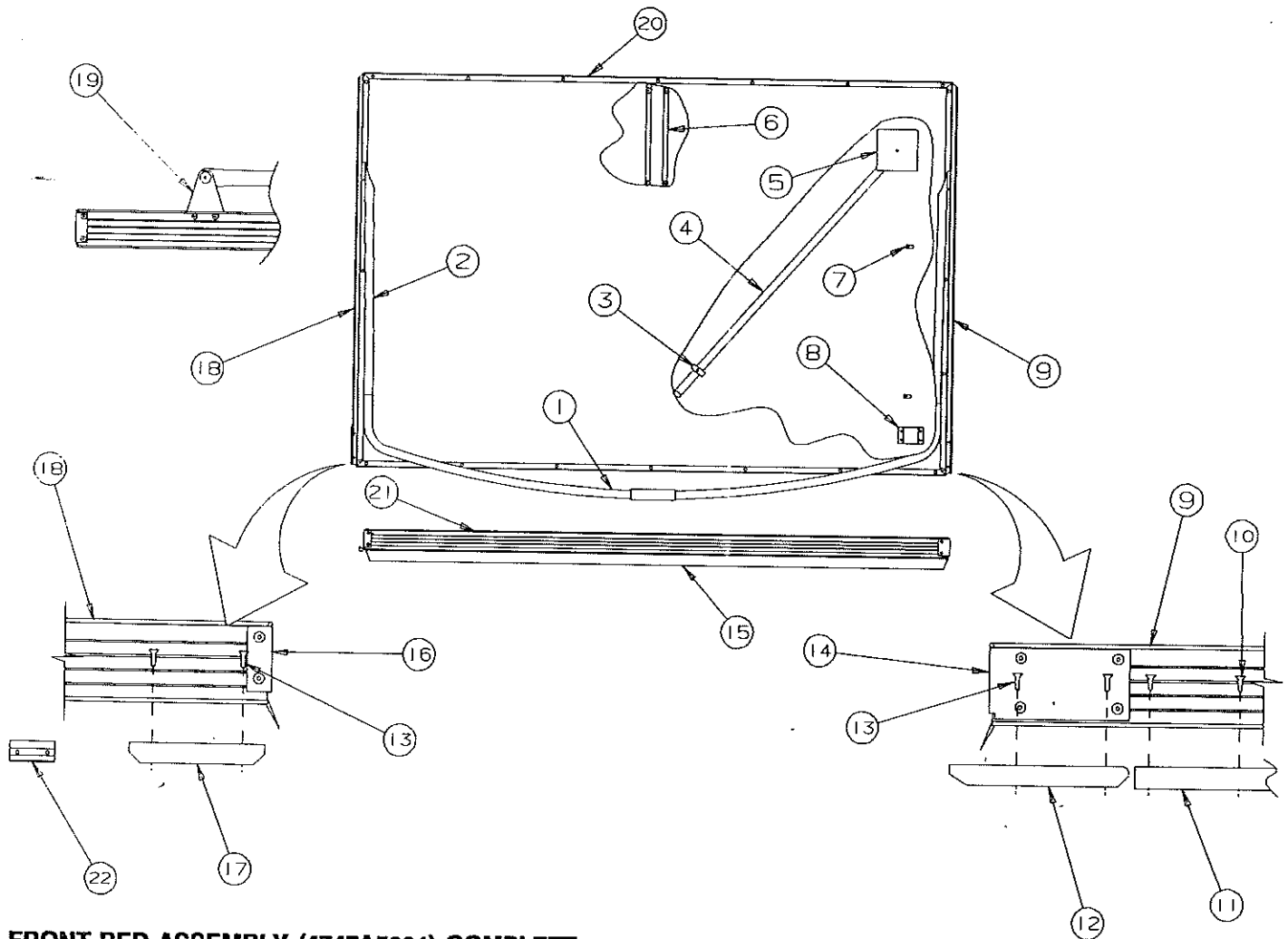
REAR BED ASSEMBLY (4747A5481) COMPLETE
used on 2770, 2775, 2789

REAR BED ASSEMBLY (4751-5081) COMPLETE
used on 2796 Rio Grande

CODE	PART NO.	DESCRIPTION
1	4737F2631	Upper tent bow assembly
2	4737F2641	Lower tent support x2
	4733-4118	Tek screw x1
3	4720C0771	Bed leg support clip x2
	1203-8831	Rivet x2, M25
4	4734E5881	Bed leg assembly x2 (all)
5	4737A4178	Support plate x2
6	4747A116	Bed channel
	1203-8741	Rivet x10, M25
7	4720D4021	Lashing hook, M6
	1203-8741	Rivet, M25
8	4749-4891	Bed stop x1
	1203C8721	Rivet x4, M25
9	4747-3231	Side bed rail (alum.) (all)
10	4747B3691	Bed slide x2 (plastic) (all)

11	1034B08088	Screw x2 (per bed slide)
12	4747A3221	Bed angle x3
	1203-8641	Rivet, M50
13	4060400339F	Bed seal (sold/foot)
14	4749A4901	Reinforcement angle x1
	1203-8978	Countersunk rivet
	1203-8641	Rivet, M50
15	4749-8171	Side bed rail (all except 2796)
	4751-0541	Side bed rail (2796 only)
16	4720G5631	Bow bracket x2
	4716-078	Screw x2
	4733-4118	Tek screw x2
17	4747A3241	Bed rail rear (all)
18	4749-8161	Bed rail front (all)
19	4751-0551	Plastic bed slide 2796 only
20	4747B4061	Bed stop (located on body rail)
	4716-081	Screw x2

REPAIR PARTS

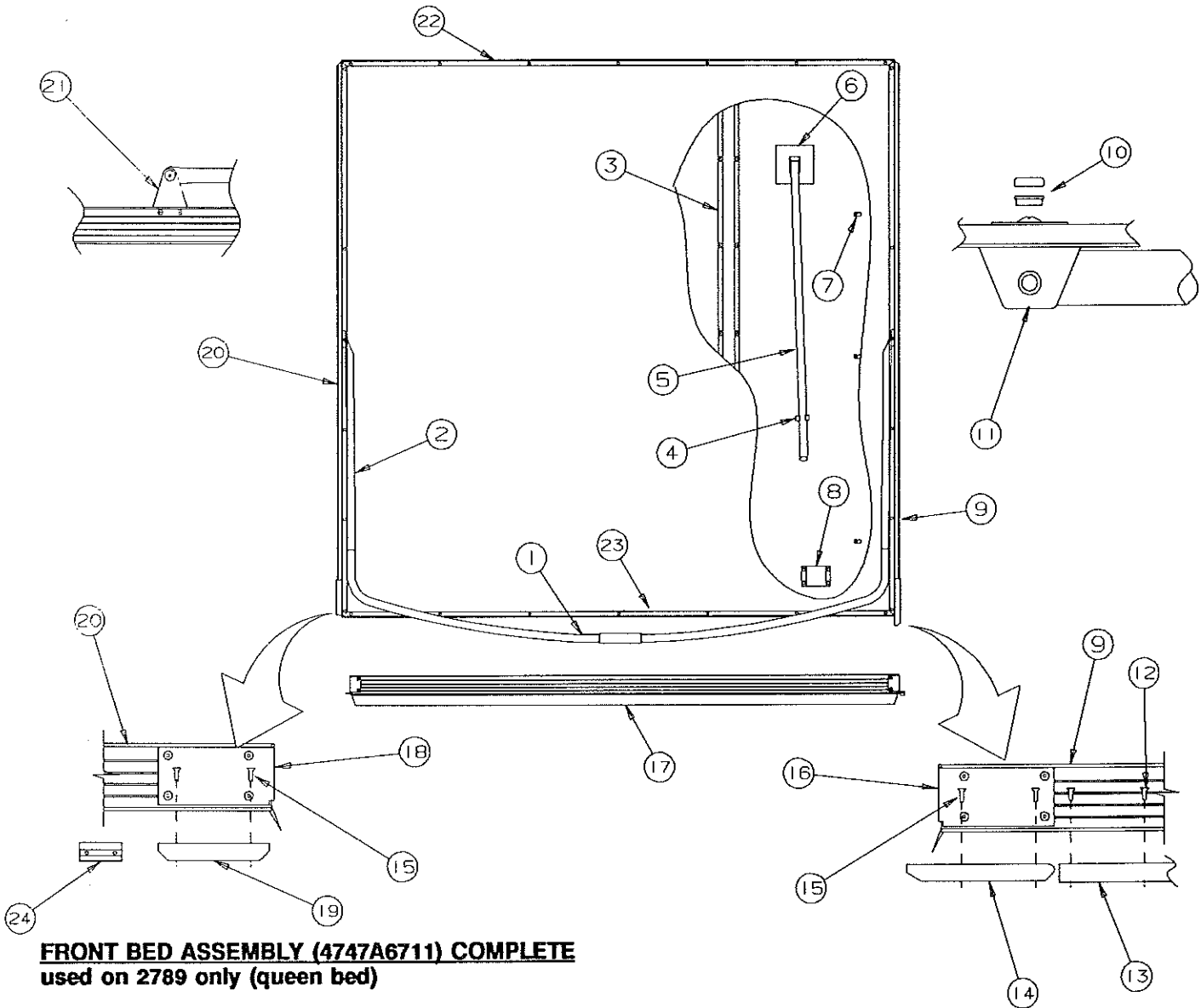


FRONT BED ASSEMBLY (4747A5201) COMPLETE
used on 2770, 2775 only

CODE	PART NO.	DESCRIPTION
1	4737F2631	Upper tent bow assembly
2	4737F2641	Lower tent support x2
	4733-4118	Tek screw x1
3	4720C0771	Bed leg support clip x2
	1203-8831	Rivet x2, M25
4	4734E5881	Bed leg assembly x2
5	4737A4178	Support plate x2
6	4747A116	Bed channel
	1203-8741	Rivet x10, M25
7	4720D4021	Lashing hook, M6
	1203-8741	Rivet, M25
8	4749-4891	Bed stop x1
	1203C8721	Rivet x4, M25
9	4749-8151	Side bed rail (alum.)
10	4749-4118	Screw
11	4749-8061	Plastic bed slide

12	4747B4051	Bed slide (plastic)
13	1034B08088	Screw x2 (per bed slide)
14	4749A4871	Reinforcement angle x1
	1203-8978	Countersunk rivet
	1203-8641	Rivet, M50
15	4060400339F	Bed seal (sold/foot)
16	4747A3221	Bed angle x3
	1203-8641	Rivet, M50
17	4747B3691	Bed slide (plastic)
18	4747-3231	Side bed rail (alum.)
19	4720G5631	Bow bracket x2
	4716-078	Screw x2
	4733-4118	Tex screw x2
20	4747A3241	Bed rail rear
21	4749-8161	Bed rail front
22	4747B4061	Bed stop (located on body rail)
	4716-081	Screw x2

1995 DESTINY SERIES



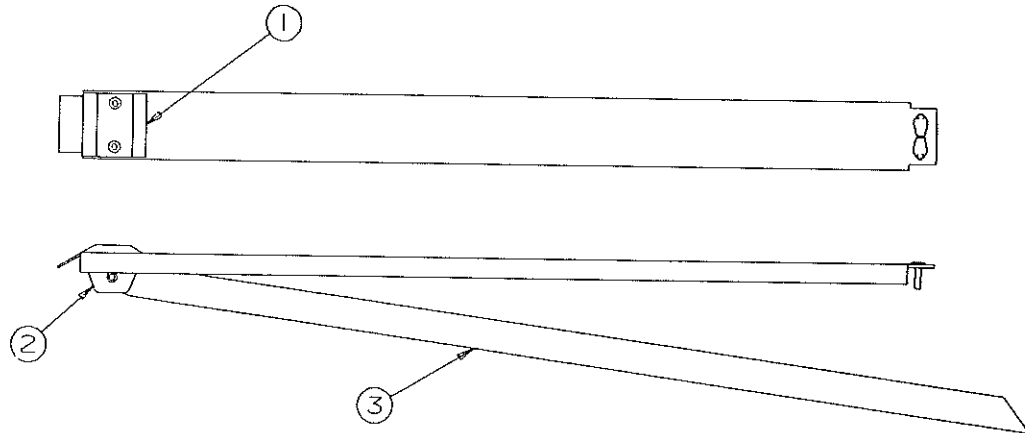
FRONT BED ASSEMBLY (4747A6711) COMPLETE
used on 2789 only (queen bed)

FRONT BED ASSEMBLY (4751-5071) COMPLETE
used on 2796 - Rio Grande (queen bed)

CODE	PART NO.	DESCRIPTION
1	4737F2631	Upper tent bow assembly
2	4737F2641	Lower tent support x2
	4733-4118	Tek screw x1
3	4747-978	Bed channel x2
	1203C8721	Rivet x10 per channel, M25
4	4720C0771	Bed leg support clip x2
	1203-8831	Rivet x2, M25
5	4734E5881	Bed leg assembly x2 (2789 only)
	4748-6581	Bed leg assembly x2 (2796 only)
6	4737A4178	Support plate x2
7	4720D4021	Lashing hook, M6
	1203-8741	Rivet, M25
8	4749-4891	Bed stop x1
	1203C8721	Rivet x4, M25
9	4747-9911	Side bed rail (curbside)
10	4739C2908	Screw cap x2
	4739-2918	plastic washer x2
	4716-074	Screw x2
	1202B2528	Washer x2

11	4734A5141	Bed leg bracket
	4720A2361	Rod & pal nuts
12	4749-4118	Screw
13	4749-8341	Plastic bed slide
14	4747B4051	Bed slide (plastic)
15	1034B08088	Screw x2
16	4749A4871	Reinforcement angle
	1203-8978	Countersunk rivet
	1203-8641	Rivet, M50
17	4060400339F	Bed seal
18	4749A4901	Reinforcement angle
19	4747B3691	Bed slide (plastic)
20	4749-8331	Side bed rail (roadside)
21	4720G5631	Bow bracket x2
	4716-078	Screw x2
	4733-4118	Tek screw x2
22	4749-8321	Rear bed rail
23	4749-8311	Front bed rail
24	4747B4061	Bed stop (located on body rail)
	4716-081	Screw x2

REPAIR PARTS



BED SUPPORT ASSEMBLY 2789 - ROYALE ONLY (4747-8991)

CODE	PART NO.	DESCRIPTION
1	4716-8291	Plastic pad
	1203-8978	Rivet x2
2	4734A5141	Bed support bracket
	4720A2361	Rod & pal nuts
3	4747-9801	Bed support leg

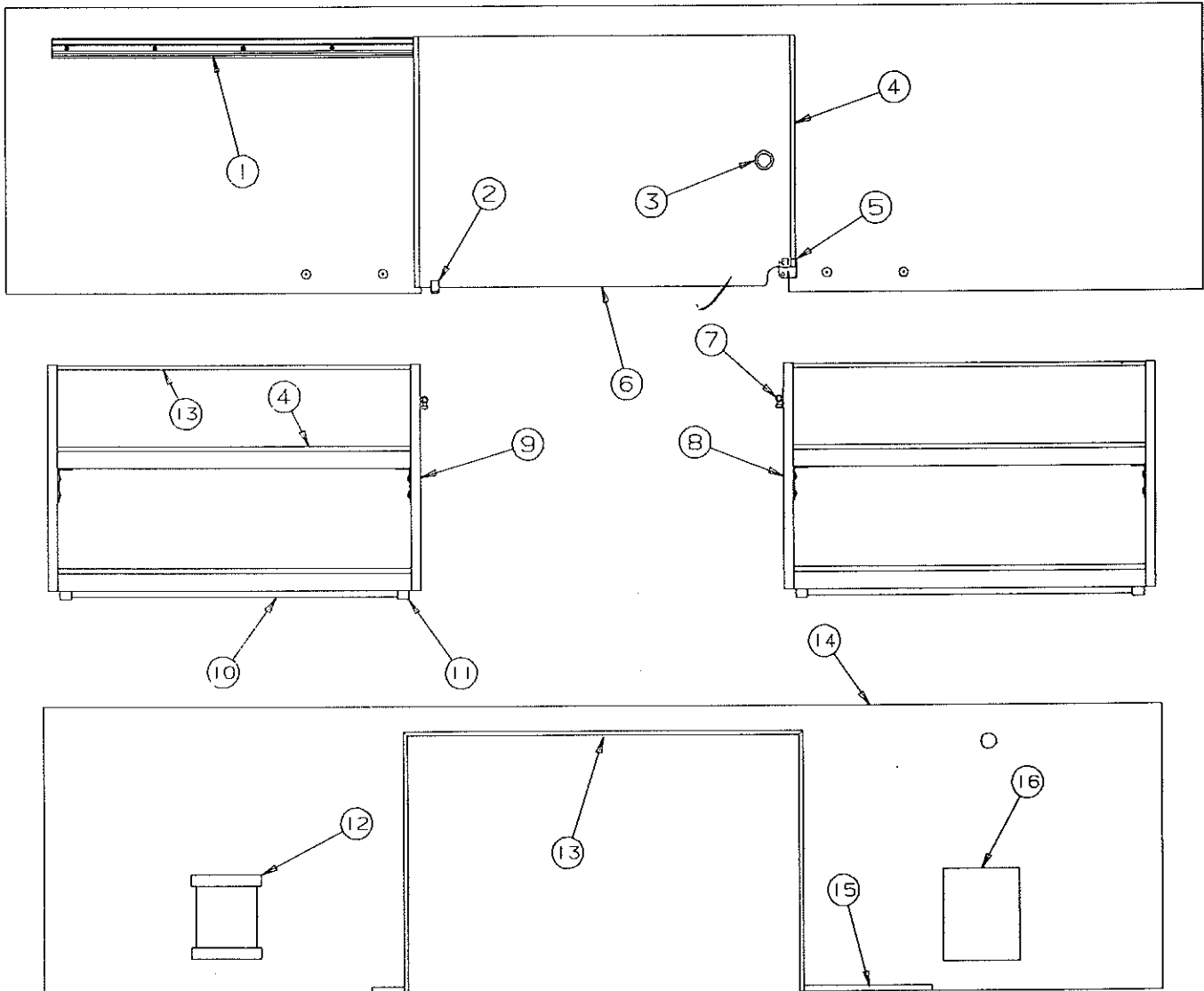
DESTINY SERIES MATTRESS ASSEMBLIES & COVERS

Destiny Series	FRONT MATTRESS		REAR MATTRESS	
	Assembly	Cover	Assembly	Cover
2770 Roanoke	4749C6361	4716C6361	4749C6361	4716C6361
2775 Cedar	4749C6361	4716C6361	4749C6361	4716C6361
2789 Royale	4747D6691	4716D6691	4749C6361	4716C6361
2796 Rio Grande	4747D6691	4716D6691	4749C6361	4716C6361

REFERENCE DIMENSIONS

Model	Front	Rear
2770 Roanoke	71 x 47 x 3	71 x 47 x 3
2775 Cedar	71 x 47 x 3	71 x 47 x 3
2789 Royale	72 x 71 x 3	71 x 47 x 3
2796 Rio Grande	72 x 71 x 3	71 x 47 x 3

1995 DESTINY SERIES

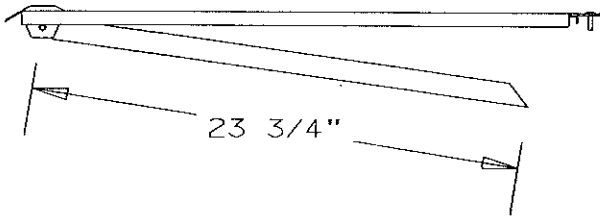


2796 RIO GRANDE - SLIDING PANTRY COMPONENT PARTS

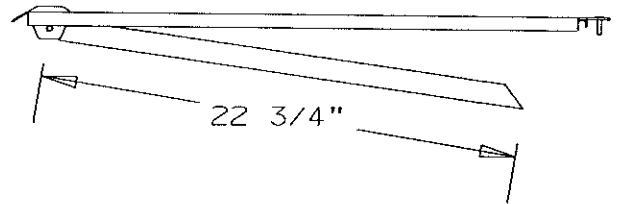
CODE	PART NO.	DESCRIPTION
1	4716-4021	Door slide track, 48" pc.
2	4749-8398	Plastic tack x2
3	4750-0771	Ring door pull
4	4716-4031	U-Channel "elm" 48" pc.
5	4751-0901	Sliding door catch
	4716-075	Screw x2
6	4751-0871	Sliding door panel
7	4749A288	Slide bolt
8	4751-5251	Sliding pantry assembly (complete)
9	4751-5221	Sliding pantry assembly (complete)
10	4751-0931	Metal slide track
	4350000295F	Double stick tape
	4716-075	Screw x4
11	4710-2681	Button x4, M5
	1034B1612	Screw x4
12	4350000005F	Velcro hook
13	4751-1151	5/32 U-Channel 28 5/16" pc.
14	4714E4501	Universal wall panel (48 x 18 3/16)
15	4714E2931	Toe molding M2
16	4751-5361	Hole cover assembly x2

REPAIR PARTS

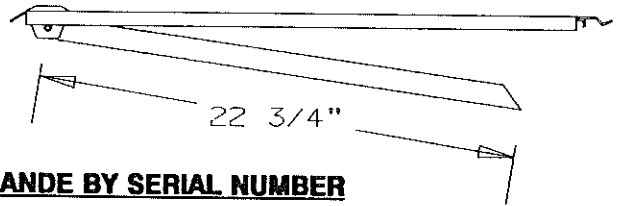
4716A5351



4751A5351



4751B5351



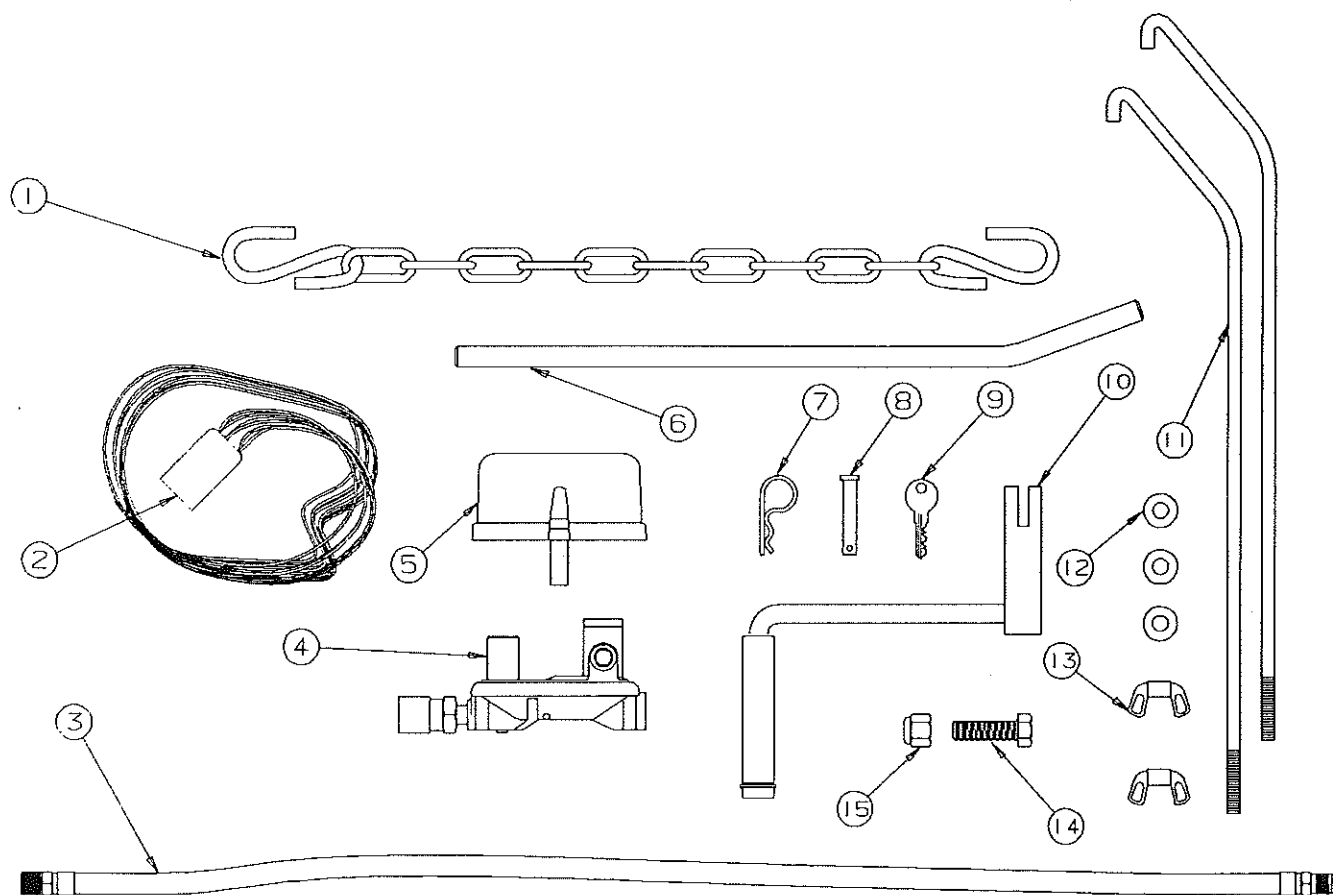
FRONT BED LEGS FOR 2796 RIO GRANDE BY SERIAL NUMBER

4716A5351	S/N	21890	-	21989
4751A5351	S/N	21990	-	22089
4751B5351	S/N	22090	-	22169 (inclusive)

PANELING AND TRIM

4714E4501	Universal wall panel (48 x 18 3/16) Greenbriar oak
4714E2911	Corner Divider (Greenbriar oak) M5, 17 3/4"
4714E2921	Panel divider (Greenbriar oak) M5, 17 3/4"
4714E2931	Toe molding (Elm) M2, 48" lengths

1995 DESTINY SERIES



PARTS PACKAGE (COMPLETE) 'DESTINY SERIES'

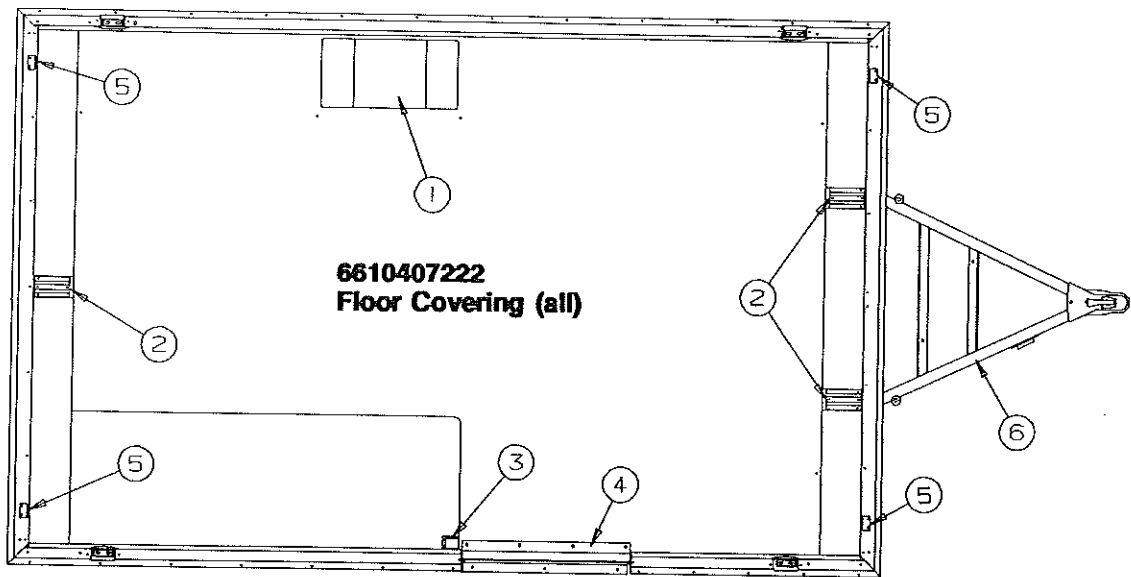
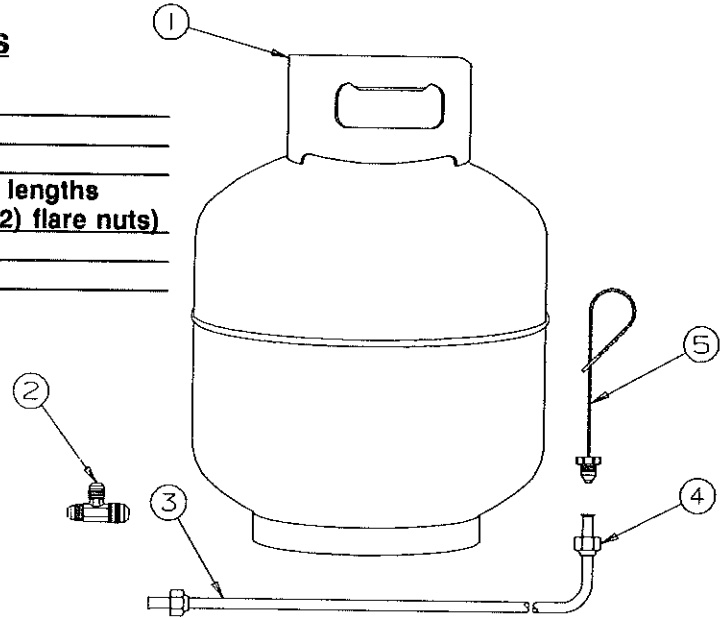
4747C5871 PARTS PACKAGE, 2770, 2775
4747C58781 PARTS PACKAGE, 2789
4751-5371 PARTS PACKAGE, 2796

CODE	PART NO.	DESCRIPTION
1	4747-4131	Safety chain (all except 2796)
	4749-9601	Safety chain (x2, 2796 only)
2	4735D6691	Pigtail, 2770, 2775
	4735E6741	Pigtail, 2789, 2796
3	4733A3991	Gas hose (all) connects to gas bottle
4	4739A1291	Regulator & fitting (all)
5	4734B3781	Regulator cover
6	4749-1861	Stabilizer handle (all)
7	4732A4791	Safety pin, M10 (all)
8	4771-2631	Hitch pin, M5 (all)
9	4730A3211	Key, M10 (all)
10	4747C4141	Crank handle (all)
11	4733F6281	Gas bottle mounting bracket package (includes wing nuts & washers)
12	1202B0468	Washer x3
13	1201-6258	Wing nut x2
14	1006B2428	Bolt x1
15	1201B6448	Nut x1

REPAIR PARTS

DESTINY SERIES GAS SYSTEM & RELATED PARTS

CODE	PART NO.	DESCRIPTION
1	4720J5928	Gas bottle (arctic white)
2	1215-1778	3/8" Tee
3	4714-0711	3/8" Copper gas line 100" lengths (includes: (1) bushing & (2) flare nuts)
4	1215-2418	Flare nut 3/8"
5	4733A3888	3/8" Plastic cap & chain



INTERIOR MISCELLANEOUS PARTS

CODE	PART. NO.	DESCRIPTION
1	4747A4161	Wheel well x2
2	4747B5841	Bed guide slide
3	4747A4781	Bed slide wedge
4	4747-5621	Screen door support
	4716-069	Screw x4
	4060000399F	Rubber seal
5	4749A4731	Bed stop
6	See Page 2 for frame details	

1995 DESTINY SERIES

DESTINY SERIES TOP ASSEMBLIES (ARCTIC WHITE)

4747C5241 - Top assembly Roanoke, Cedar

4747C5941 - Top assembly Royale

4747C59481 - Top assembly Rio Grande

CODE	PART NO.	DESCRIPTION
1	4747B1091	Top corner (right front/left rear)
	4745-3968	Screw x6 (arctic white)
	4350000058	Saturated foam tape
2	4747B1101	Top corner (left front/right rear)
3	4728D20881	Canopy track (all) (must cut to size)
	4745-3968	Screw (arctic white)
4	4741B2319	Center seam
	4060400196F	Vinyl screw cover
	4741-3508	Hex head screw
	4350000058F	Foam tape
5	4741E21381	Top seal extrusion (front/rear) (all)
6	4715C2091	Top strike x4, M4
	4744-2468	Screw x2
	1201B6958	Nut x2
7	4741F11381	Tent support bracket x2
8	4737F5911	Dome light
	4714F0891	Dome light lens
	1103B1028	Screw x4
9	4737-3211	Rubber button x2, M8
10	4733G47181	Screen door track
	4744-4611	Rivet, M25
	1203-9258	Plastic accordion rivet
11	4749A5571	Screen door bracket
	4741C96568	Rivet x3 (warm grey)
	4749-2138	Snap button
	1203-8631	Rivet x1, M50
12	4734D5211	Screen door cable, M6
13	4730A3548	Stud w/screw x2
14	4723A5061	Safety strap x2
15	1203-9258	Plastic accordion rivet x4
16	4741H18681	Side cove x2 (all) (must cut to length)
	4741C96568	Rivet (warm grey)
17	4350400003F	Vinyl tape (blue mist)
18	4741G21481	Cove, front/rear (all)
	4741C96568	Rivet
19	4741B1891	Evolution & valance track (sold/9 ft pc) "old"
19A	4741C1891	Evolution & valance track (sold/9 ft pc) "new"
20	4741B1031	Evolution track (front/rear)
21	4747C5521	Lift pocket cover x4
	4741D3558	Hole plug (x2 per lift pocket)
	4350000005F	Velcro hook (sold/yard)
22	4741B5431	Lift pocket x4
	1201B6378	Lock nut (x2 per pocket)
23	1226D1538	Latch x2
	1203-8951	Rivet x2, M25
24	4350000005F	Velcro hook (sold/yard)
25	4060000399F	Rubber top seal (sold/foot)

REPAIR PARTS

