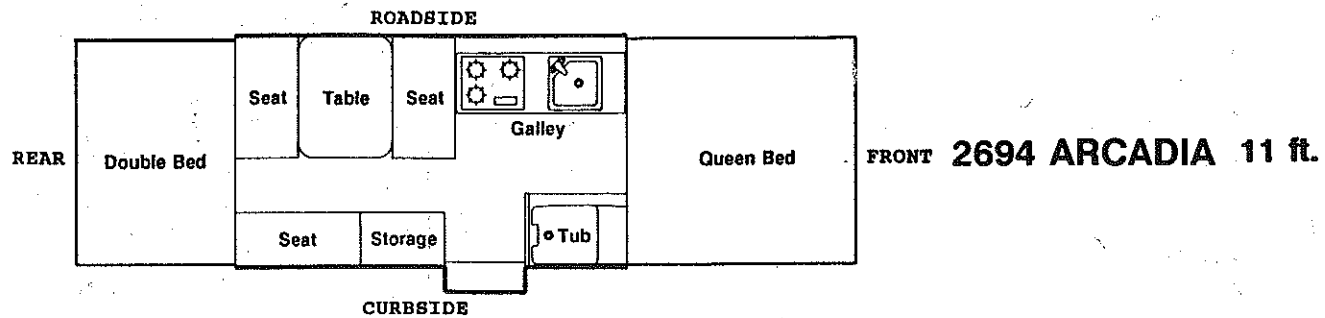
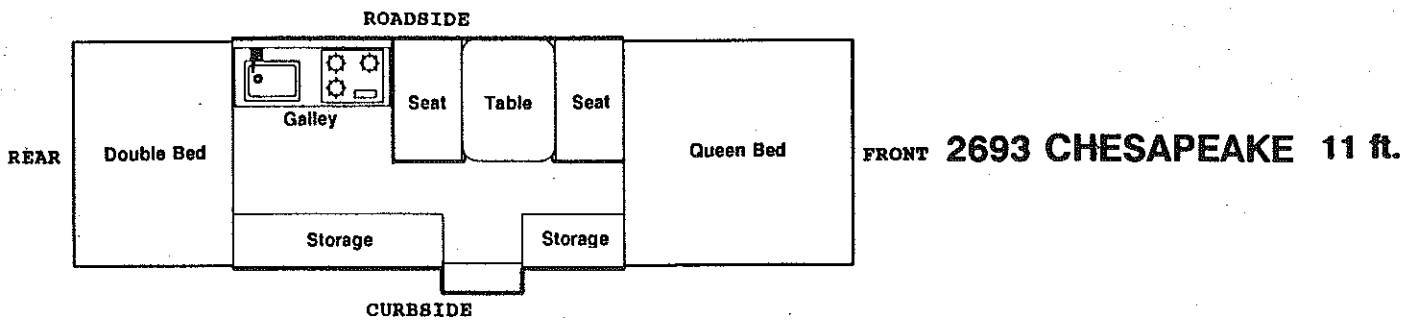
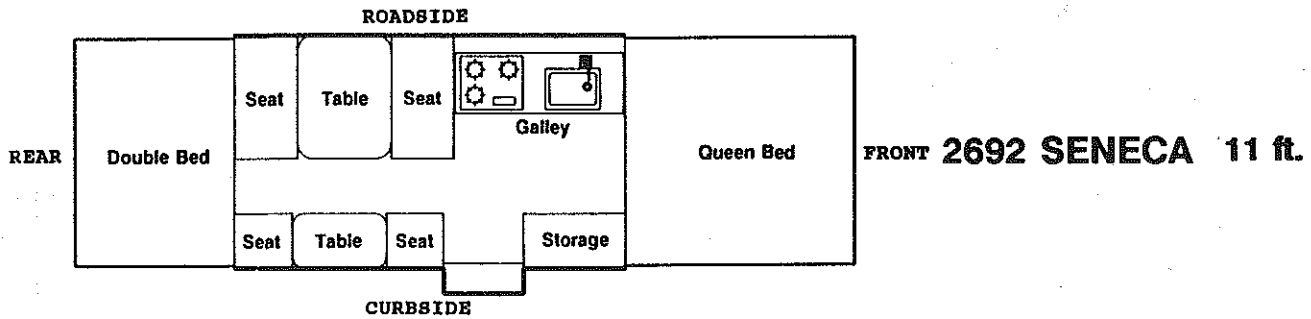
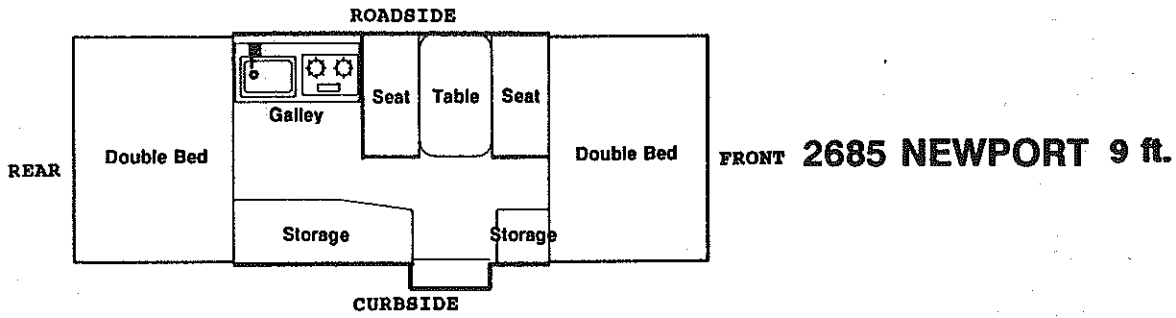
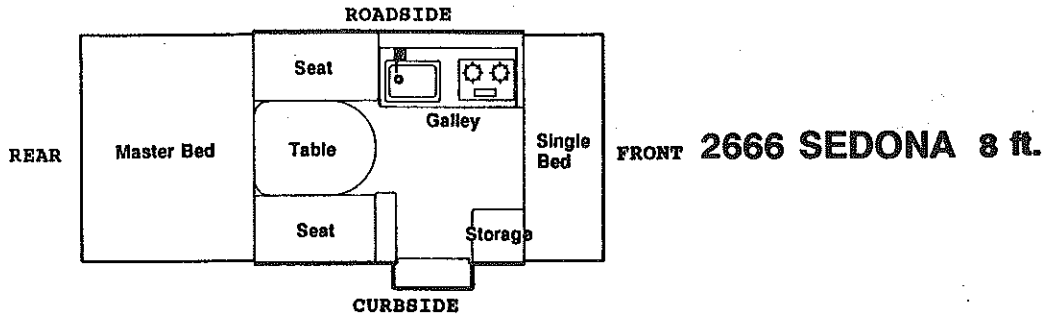


PIONEER SERIES



1992
REPAIR
PARTS





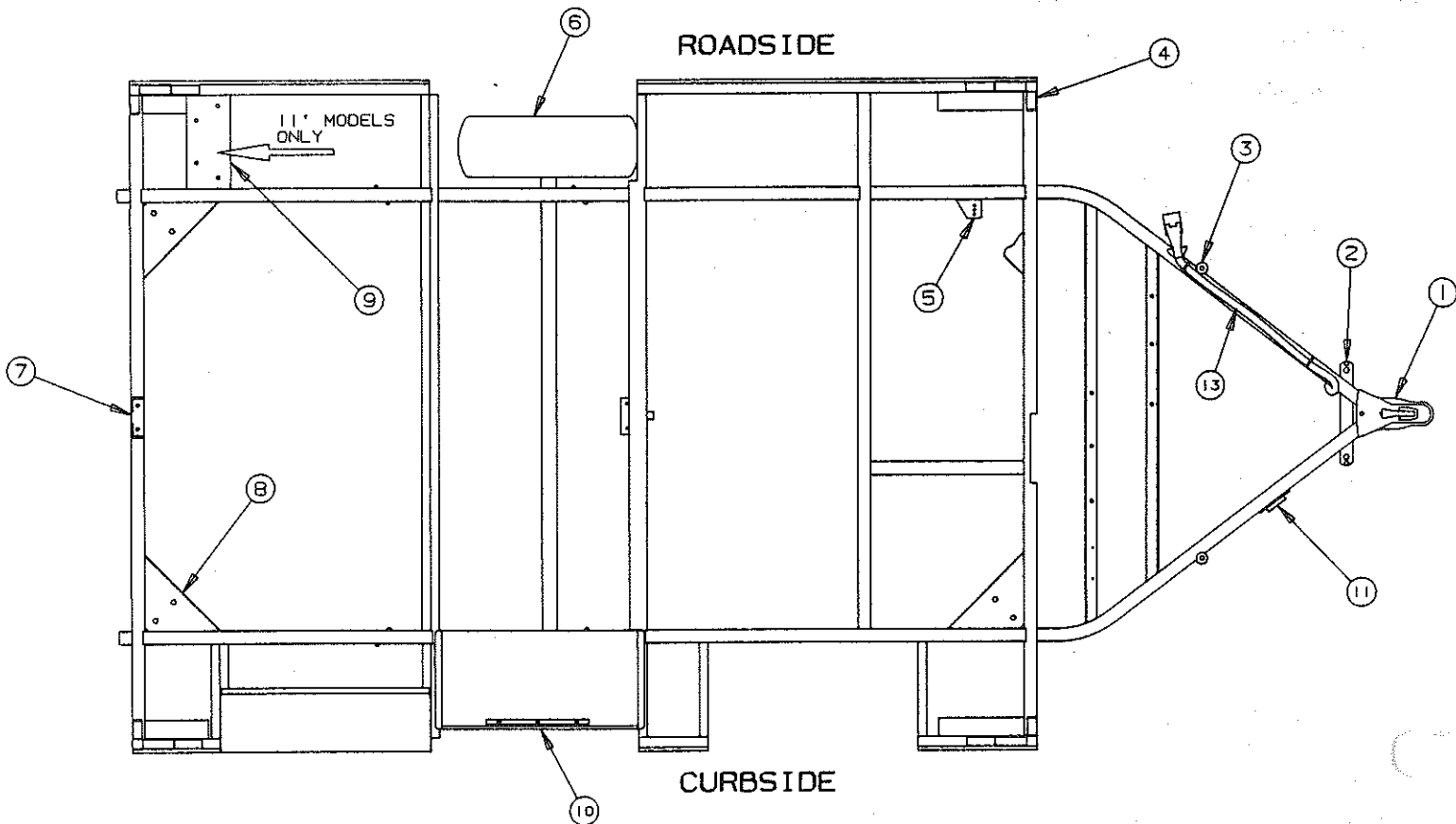
Pioneer

Series

FLEETWOOD.

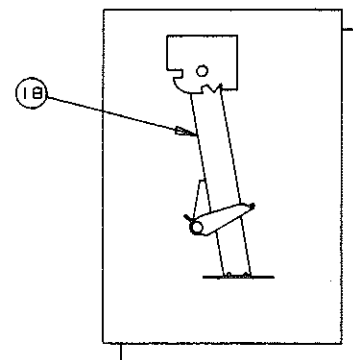
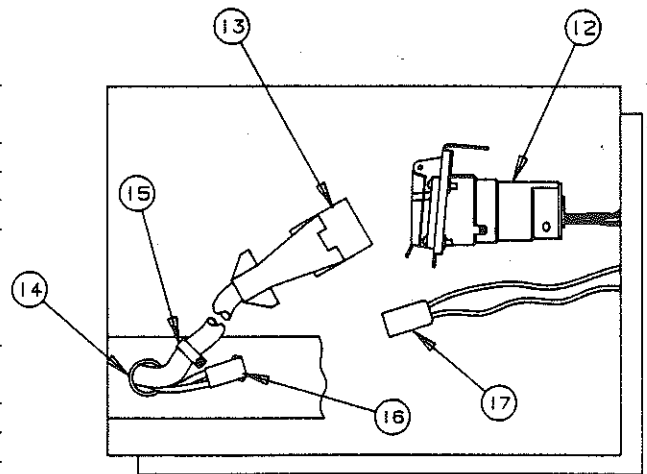
TABLE OF CONTENTS

DESCRIPTION	PAGE NUMBER
Access door bulkhead, front/rear	11
Access door key	12, 30
Access door assembly & related parts	12
Auto extension	28
Axle beam	6
Axle assembly & related parts	6
Axle springs & attachments	6
Backrest assemblies & covers	23
Bathub 2694	20
Bed extensions & related parts	27
Bed assemblies & related parts	26
Body panel right front (curbside)	11
Body panel right rear (curbside)	10
Body panel rear assembly & related parts	9
Body panel front assembly & related parts	8
Body panel leftside (roadside)	13
Cable hatch	13
Caulking (arctic white)	28
Chain (upper crank assembly)	3
City water fill	13
Cooler 48 qt (4748-9991)	
Converter & related parts	23
Corner bulkhead assembly	2
Corner gusset assembly	2
Coupler assembly	2
Crank & sprocket assembly	3
Crank handle	12, 30
Cushion assemblies & covers	23
Drain hose (used on sink assemblies)	14
Drape tie package	24
Drape pkg/Single drape pkg	24
Electric water pump 2694	32
Electric brakes & related parts	7
Electric brake package	7
Evolution III assemblies & related parts	24
Fire extinguisher	18
Floor covering 6610407225	
Frame assembly and related parts	2
Gas line & components (outside stove)	31
Gas hose (gas bottle)	30
Gas bottle & related parts	31
Gas bottle mounting bracket	30
Ground fault receptacle	23
Hub assembly & related parts	6
Hutch assemblies 2685, 2693	18
Hutch/Seat assembly 2694	19
Lift trim & miter covers	13
Lift assemblies & related parts	4
Lower galley assemblies & related parts	16
Lower galley tops	16
Lug nuts	6
Mattress assemblies & covers	27
Outside receptacle	11
Paint (spray & quart cans)	28
Paneling & trim	24
Parts packages & components	30
Pigtail (car end)	2, 30
Power cord	23
Receptacle w/cover (inside)	23
Regulator (outside stove assembly)	30
Regulator & fitting	30
Rivets & usage	28
Safety chains	30
Screen door assembly & related parts	25
Screen door cables	25
Seat frames & related parts	22
Seat fronts	22
Shower cabinet 2694	20
Shower curtain rod assembly 2694	20
Shower curtain 2694	20
Shower head, hose 2694	20
Sink, (upper galley assemblies)	14
Spare tire mount package	28
Spare tire mount (bulkhead assembly)	2
Stabilizer assembly	2
Stabilizer handle	12, 30
Storage cabinet 2666,85,92,93	19
Stove (outside stove assembly & components)	29
Stove (upper galley assemblies)	15
T-Molding (green)	14
Table assembly (pedestal, 2692)	21
Table assembly & related parts	21
Taillights	9
Tent support assemblies	23
Thrust nut	5
Tire & rim	2
Tongue jack	3
Top assemblies & related parts	34, 35
Top latch	10, 11, 13
Trim tape repair kits	10, 11, 12, 13
Trim tape	10, 11, 12, 13
Upper galley assemblies & related parts	14, 15
Upper galley tops	14
Valance package	24
Water heater, 2694	32
Water tank portable, throw-in tank	33
Water tank 10 gallon 2694	33
Water system components 2694	32
Water pump (upper galley assemblies)	14
Water heater door 2694 only	10
Wheel well assembly	2
Whiffletree & related parts	5
Whiffletree extensions	5
Wire harness (trailer front)	2
Zippers (Evolution III assemblies)	24



MAIN FRAME ASSEMBLY COMPONENT PARTS

CODE	PART NO.	DESCRIPTION
1	4730A3561	Coupler assembly
	4714-2211	Coupler repair kit (release)
2	4720A356	Chain bar
3	4747-8941	Pin cover, M2 (plastic)
4	4733C1541	Corner bulkhead x4
5	4732C3678	Adjustable pulley bracket x4
	4715A5371	Pulley & bearing, M10
	4720C1578	Short pin
	1204B1081	Cotter pin, M10
6	4741C3988	Tire & rim 8" (2666)
	4749B2358	Tire & rim 10" (all)
7	4741B5601	Spare tire mount bulkhead
8	4744-668	Corner gusset x4 (2666, 2685)
9	4749-627	Stabilizer support (roadside) (all 11')
	4749-626	Stabilizer support (curbside) (all 11')
10	4741A3311	Wheel well assembly x2
11	4720A3331	Jack bracket
12	4746-5591	Pigtail, (Bargman) car end
13	4746-9811	Wire harness (Bargman) - CT front
	4742-8961	Braided nylon sleeve
14	4742-8108	Snap bushing 1 1/4"
15	1201-8708	Clamp 3/8"
	4744-050	Tek screw
16	4716-5001	Power harness
17	4735A6871	Extension harness - car end
18	4720D0731	Stabilizer assembly
	4739-2298	Nut (2 per stabilizer)

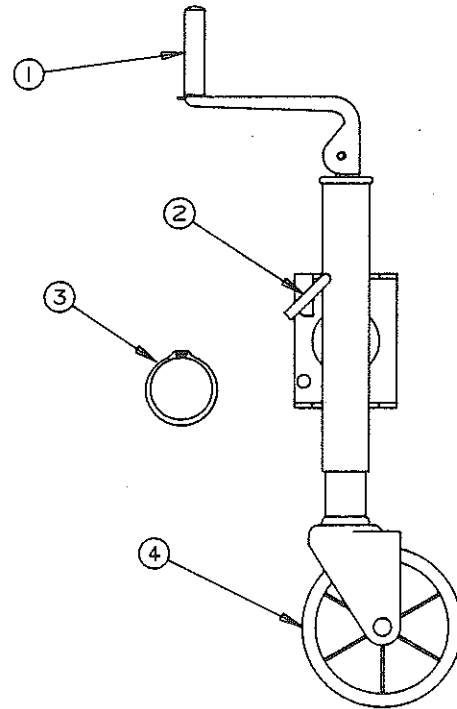


1992 Repair Parts

FLEETWOOD

Tongue Jack Assembly, 4720B6661

CODE	PART NO.	DESCRIPTION
1	4714-2821	Jack handle kit, M2
2	4714-2818	Locking plunger kit
3	4720A3341	Snap ring
4	4716-6661	Jack wheel, nut & bolt

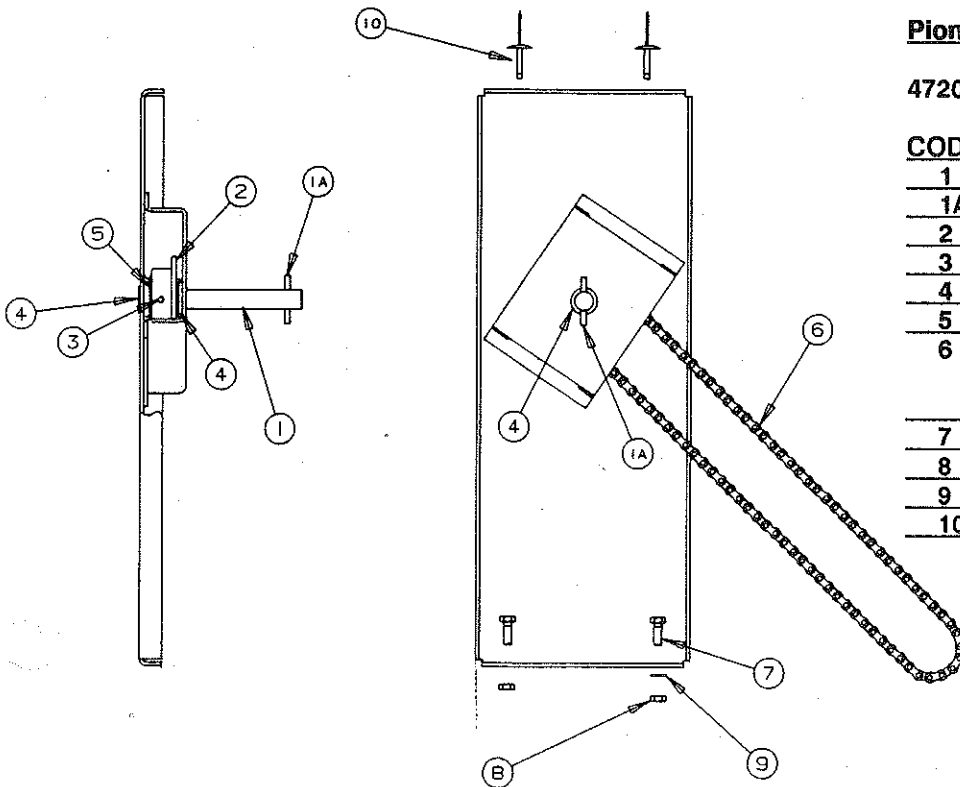


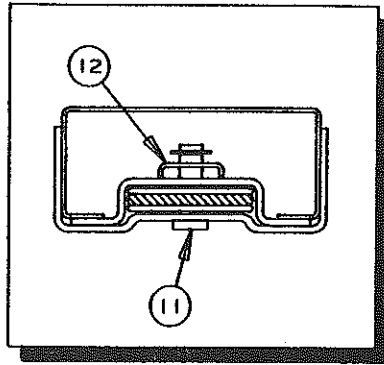
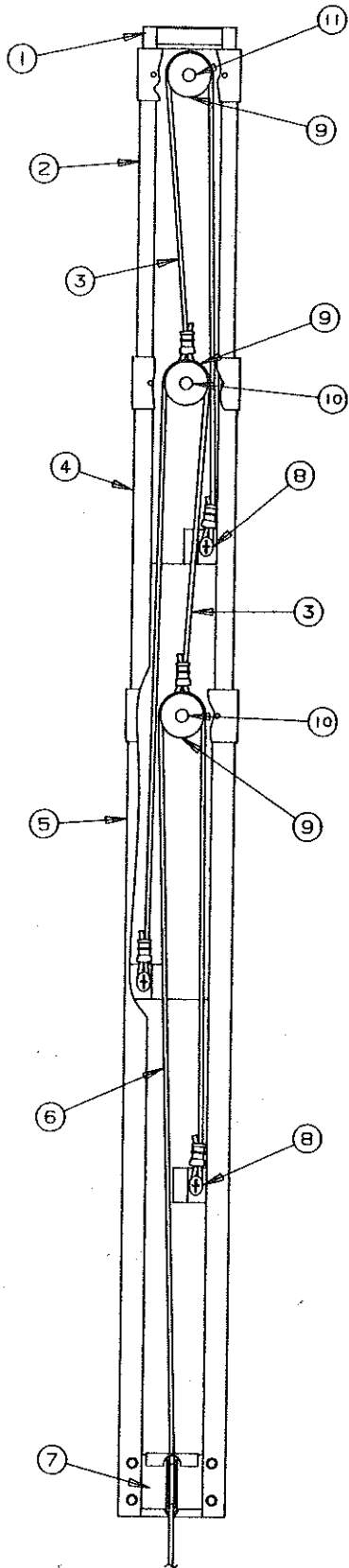
CRANK AND SPROCKET ASSEMBLIES

Pioneer Series

4720H58081 Crank and sprocket assembly

CODE	PART NO.	DESCRIPTION
1	4730C3408	Sprocket shaft
1A	4720X1481	Roll pin, 1" long, M10
2	4730B3848	Sprocket (12 tooth)
3	4720B1481	Roll pin M10
4	4730C3828	Bronze bearing
5	1202-2828	Washer x1
6	4739B2631	Chain
	4730A3811	Connecting link
	4714-0351	Half link
7	4731-3878	Hex head bolt x2
8	1201B6038	Hex nut x2
9	1202B0438	Washer x1
10	1203C8721	Rivet x2, M25

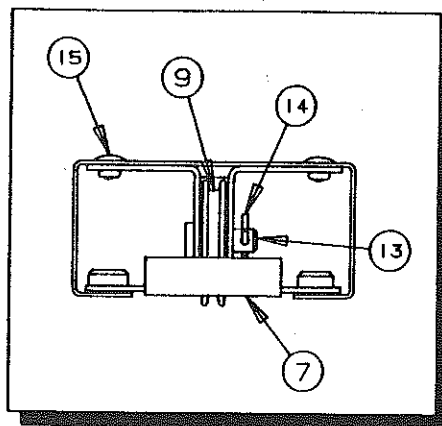




LIFT ASSEMBLIES - (All Pioneer Series)

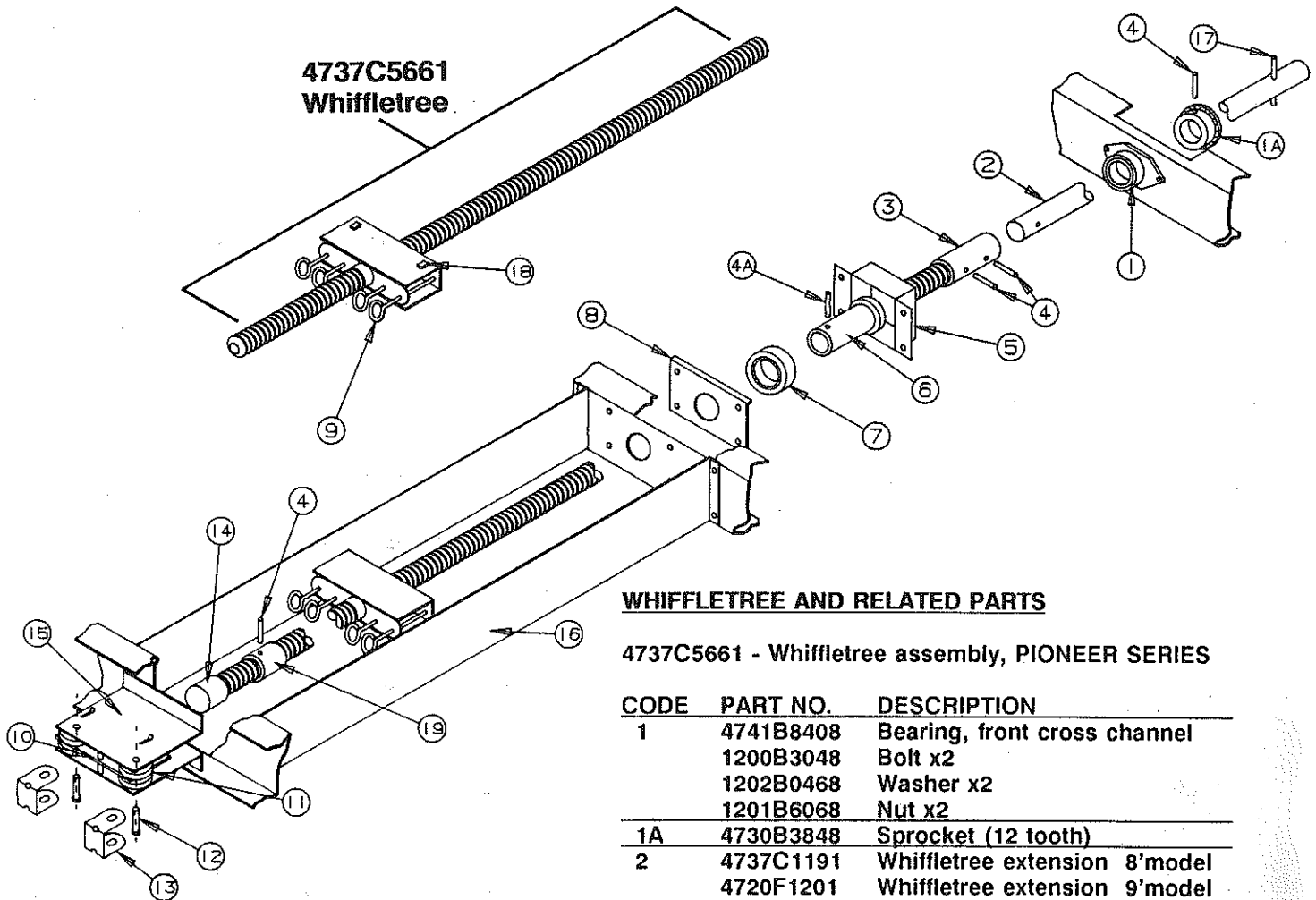
- 4716-0011 - Lift assembly, Left Front/Right Rear
- 4716-0021 - Lift assembly, Right Front/Left Rear

CODE	PART NO.	DESCRIPTION
1	4720E5181	Top lift assy (4716-0021)
	4739B6741	Top lift assy (4716-0011)
2	4720E5171	Center lift assy (4716-0021)
	4739B6731	Center lift assy (4716-0011)
3	4720C5271	Cable assy x2, M2 (both)
	4720C1691	Steel cable crimp, M20
4	4720F5161	Bottom lift assy (4716-0021)
	4739B6751	Bottom lift assy (4716-0011)
5	4720H5151	Stationary lift assy (both)
6	4747-6741	Stainless steel cable assy x1, M2 (156 inches long)
	4744-1318	Stainless steel cable crimp, M10
7	4731C5801	Butterfly bracket assy
8	4749-2081	Screw x3, M6
9	4715A5371	Steel pulley & bearing x4, M10
10	4747-8931	Long pin, x2
	4730B0981	Retaining ring, M12
11	4749-4061	Pin short x1, M4
	4730B0981	Retaining ring, M12
12	4749A2028	Retaining clip
13	4720C1578	Lift pin x1
14	1204B1081	Cotter pin, M10
15	1203-8641	Rivet x4, M50



1992 Repair Parts

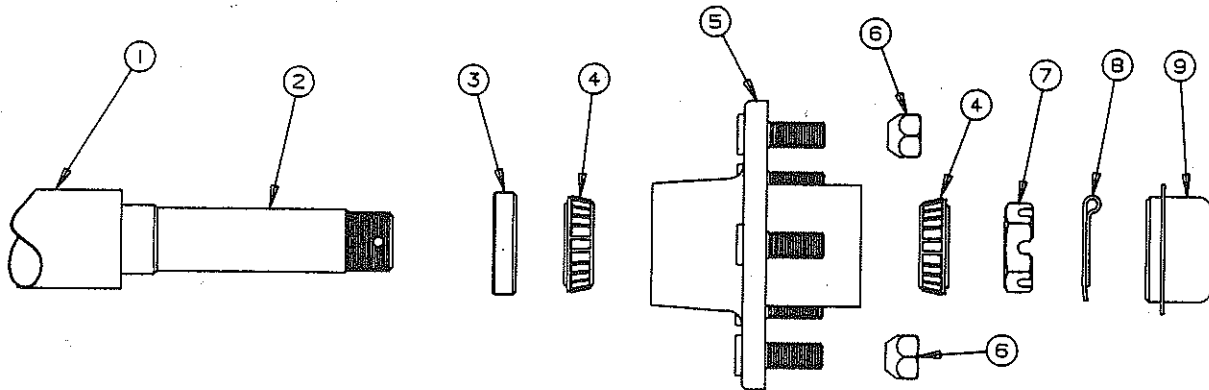
FLEETWOOD.



WHIFFLETREE AND RELATED PARTS

4737C5661 - Whiffletree assembly, PIONEER SERIES

CODE	PART NO.	DESCRIPTION
1	4741B8408	Bearing, front cross channel
	1200B3048	Bolt x2
	1202B0468	Washer x2
	1201B6068	Nut x2
1A	4730B3848	Sprocket (12 tooth)
2	4737C1191	Whiffletree extension 8'model
	4720F1201	Whiffletree extension 9'model
	4739B0011	Whiffletree extension 11'model
3	4720D1221	Coupling
4	4720B1481	Roll pin, M10
4A	4744A1301	Shear pin, M10
5	4720B2408	Retainer
	4731-3878	Hex-head bolt x4
	1201B6038	Hex nut x4
6	4720B2388	Thrust nut
7	4720A2421	Bearing
8	4720B2418	Plate
9	4744-4451	Screw eye, M4
	1201B6078	Locknut (2 per screw eye)
10	4715C5661	Pulley spacer
11	4715A5371	Pulley and bearing, M10
12	4720H1561	Long pin, M5
13	4744A1748	Cable retainer
14	4730D1291	Screw socket x1 (welded to cross channel)
15	4720-1551	Pulley plate x2 (welded to cross channel)
16	4720D2371	Guide channel, black
	4731-3878	Hex bolt x8
	1201B6038	Hex nut x8
17	4730B3381	Roll pin x1, 2", M6
18	4720A123	Nylon pin x2
19	4710A4248	Bushing x1

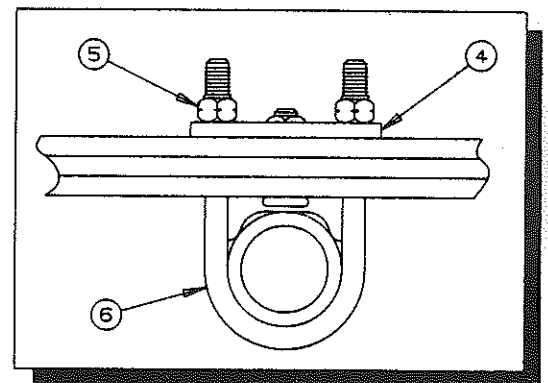


HUB ASSEMBLY & COMPONENTS (ALL)

CODE	PART NO.	DESCRIPTION
1	4741D6251	Axle beam (includes spindle)
2	4741B849	Spindle
3	4714A2201	Grease seal x1, M4
4	4716-1101	Bearing & race pkg
5	4738D0451	Hub assy w/mounted studs and lug nuts
6	4747A9528	Lug nut x5
7	4714-3068	Spindle nut, (slotted)
8	1204-1268	Cotter pin x1
9	4714-0621	Grease cap x1, M4

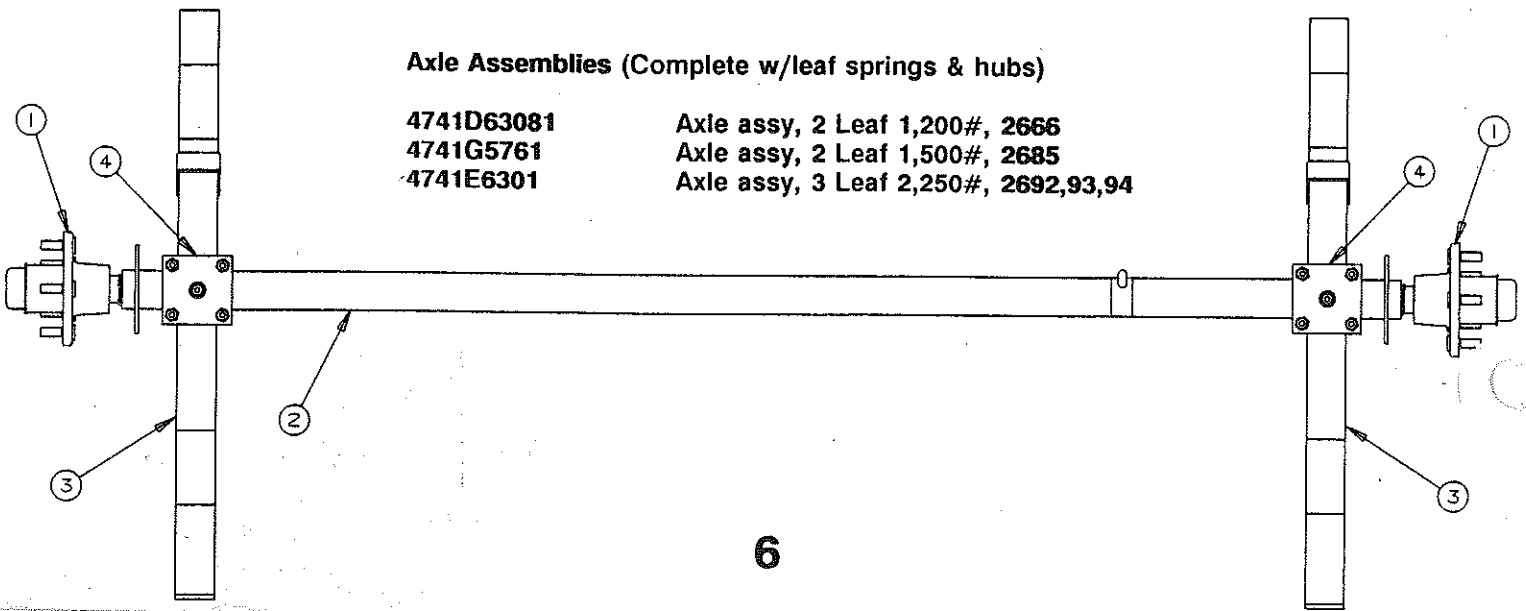
AXLE & SPRING COMPONENTS

CODE	PART NO.	DESCRIPTION
1	4738D0451	Hub assy w/mounted studs
2	4741D6251	Axle beam
3	4738-0981	Leaf spring, 2 leaf 600#, 2666
	4741B3381	Leaf spring, 2 leaf 750#, 2685
	4735C2201	Leaf spring, 3 leaf 1000#, 2692,93,94
4	4741-8458	U-bolt plate
5	4741-9358	U-bolt locknut
6	4741A8438	U-bolt



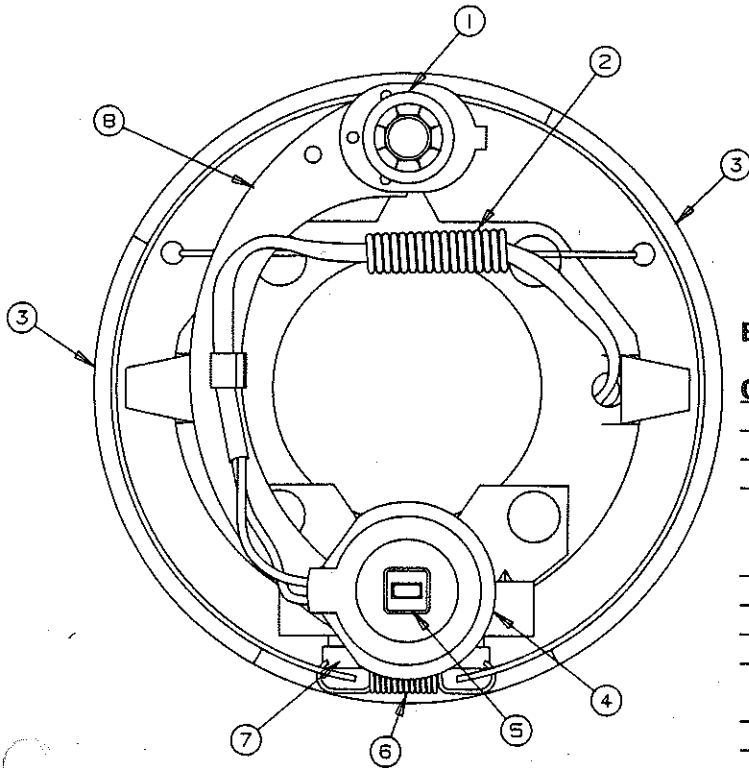
Axle Assemblies (Complete w/leaf springs & hubs)

4741D63081	Axle assy, 2 Leaf 1,200#, 2666
4741G5761	Axle assy, 2 Leaf 1,500#, 2685
4741E6301	Axle assy, 3 Leaf 2,250#, 2692,93,94



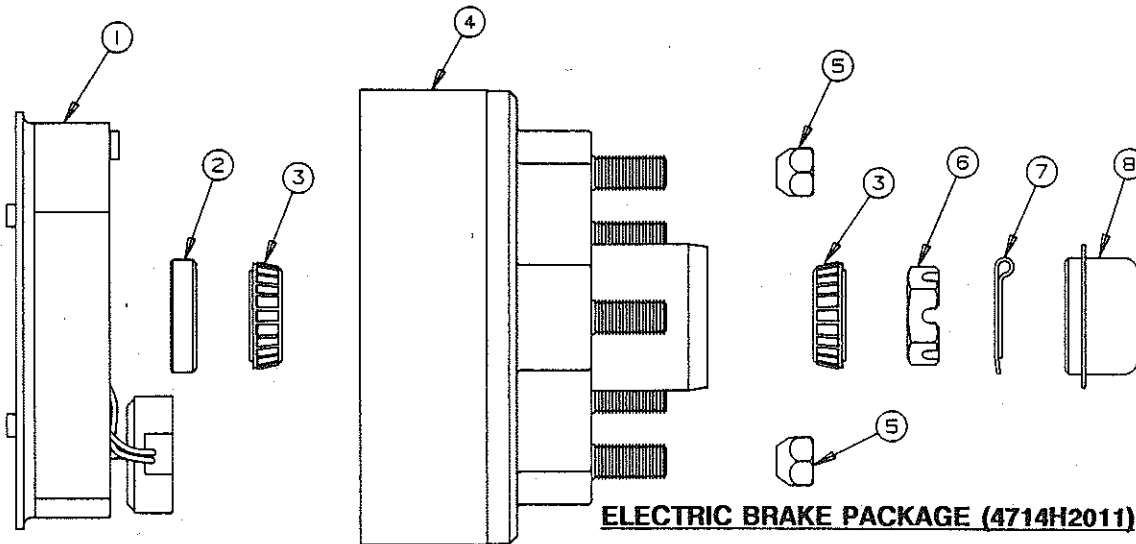
1992 Repair Parts

FLEETWOOD.



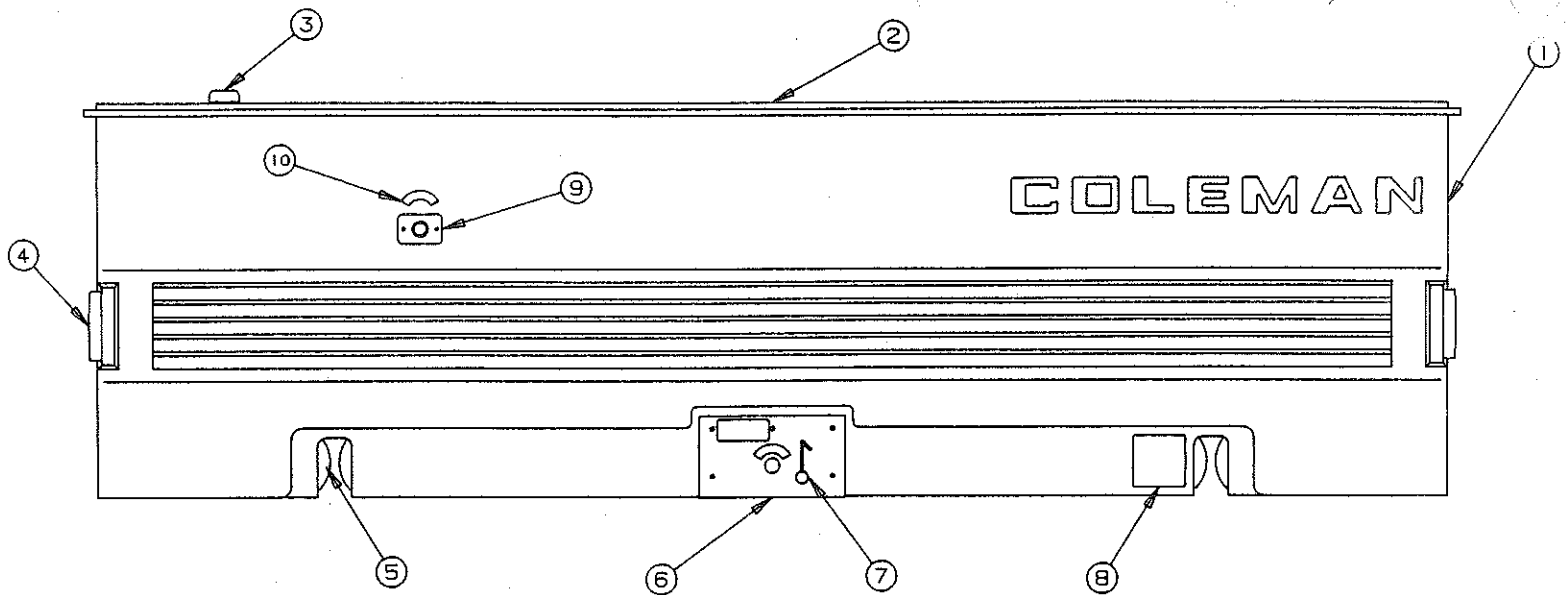
ELECTRIC BRAKE COMPONENTS

CODE	PART NO.	DESCRIPTION
1	4714A2461	Anchor post clip x2, M2
2	4714A2411	Retractor spring
3	4714B2071	Brake shoes (primary & secondary)
4	4714D2451	Magnet package (white wires) (includes: 1 magnet, 1 spring & 1 retainer clip)
5	4714B2471	Retainer clip, M2
6	4714A2101	Adjusting screw spring
7	4714A2041	Adjusting screw
8	4714A2841	Actuating lever arm package (includes: Right hand & Left hand arms)
9	4714B2421	Magnet housing spring (not shown)



ELECTRIC BRAKE PACKAGE (4714H2011)

CODE	PART NO.	DESCRIPTION
1	4733A3521	Brake assy (right hand)
	4733A3531	Brake assy (left hand)
2	4714A2201	Grease seal x2, M4 (Fleetwood axle only)
	4714-2288	Grease seal x2 (Dexter axle only)
3	4716-1101	Bearing & race package x4
4	4716A1071	Hub & drum assy x2
5	4747A9528	Lug nut x10 (per brake pkg)
6	4714-3068	Spindle nut, (slotted) x2
7	1204-1268	Cotter pin x2
8	4714-0621	Grease cap x2, M4



FRONT BODY PANEL ASSEMBLY COMPONENTS

NOTE: All panels are shipped less hardware & decals.

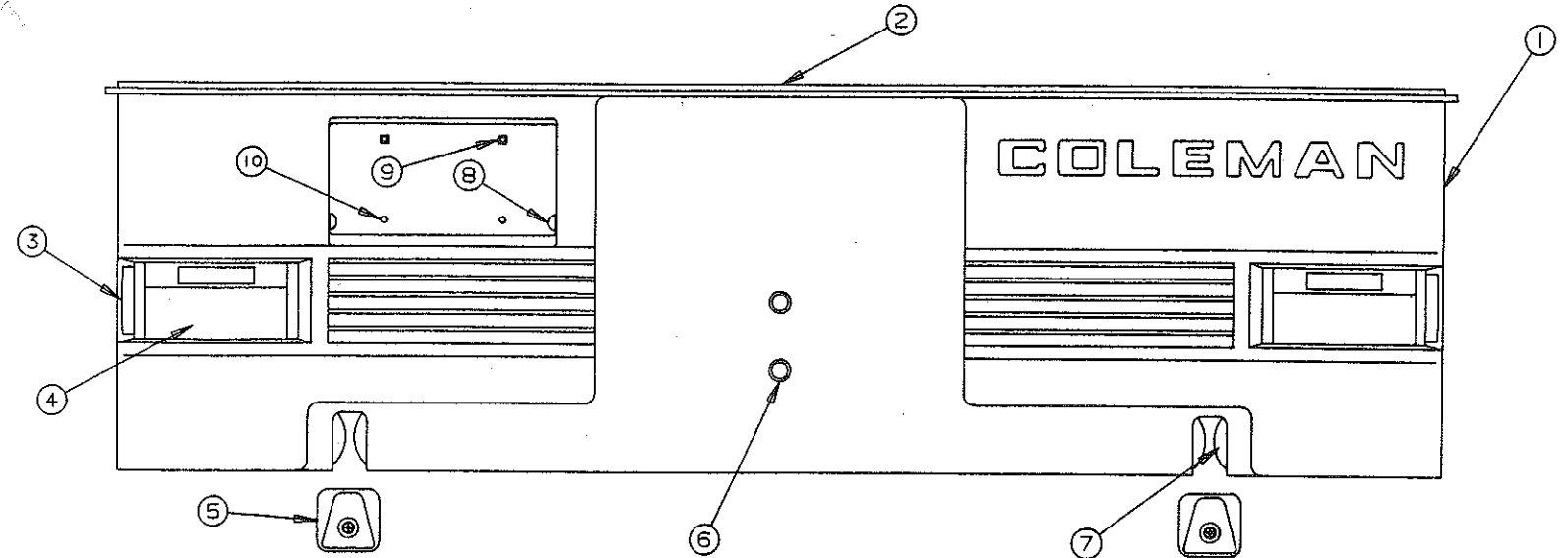
CODE	PART NO.	DESCRIPTION
1	4737F8601	Front body panel (all) (Arctic White)
2	4716-1801	Front end rail (all)
	4741B1578	Body panel clip
3	4734C1538	Bed stop x1
4	4714G08481	Amber lens & base x2
	4733G1311	Socket & harness x2
	4714-3701	Bulb M4, (#194)
	4745-3968	Screw x2 (arctic white)
5	4737B4458	Frame gasket x2
6	4715K1231	Body filler plate
	4745-3968	Screw x5 (arctic white)
	4737E3638	Caution decal
7	4730A1221	Safety latch
	4730H3188	"Open" decal
	4720B3448	Shoulder bolt x1
	1202B2528	Washer x1
	1201B6038	Locknut x1
8	4730J2138	Gas piping decal
9	4741C403	Bushing plate
10	4730H3188	"Open" decal x2

2600 SERIES PIONEER BODY PANEL REPAIR KIT

4716C2121, Front/Rear Body Panel Hardware & Decal Kit

1992 Repair Parts

FLEETWOOD.



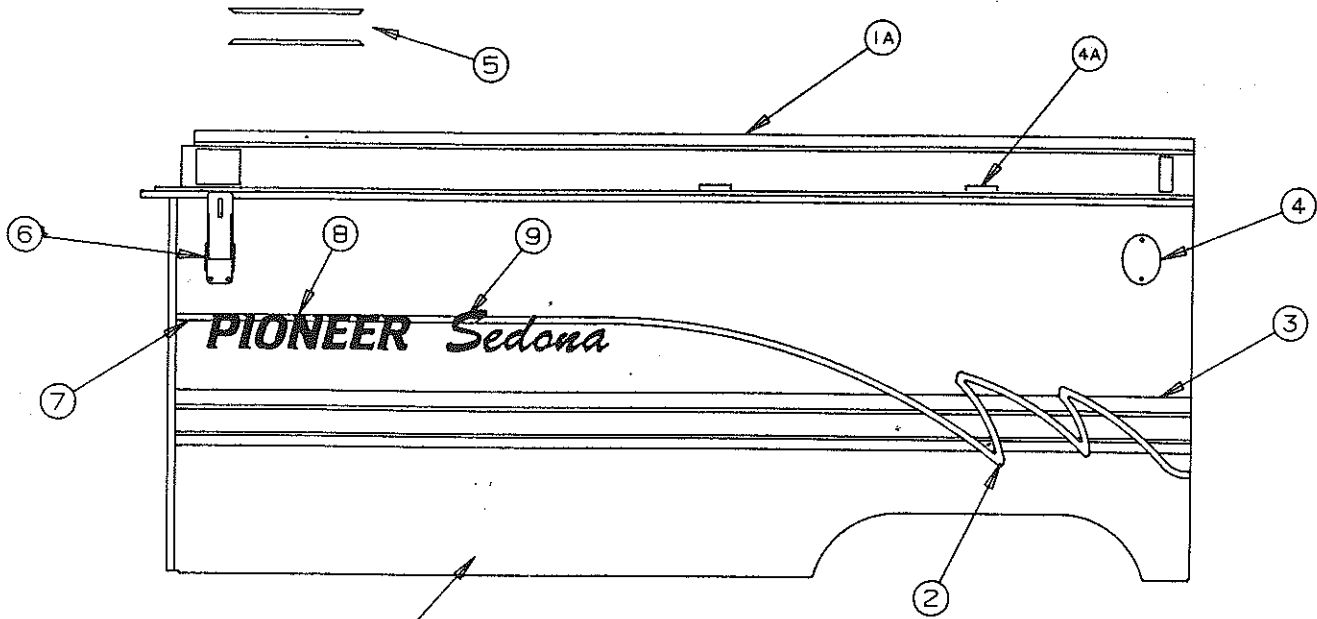
REAR BODY PANEL ASSEMBLY COMPONENTS

NOTE: All panels are shipped less hardware & decals.

CODE	PART NO.	DESCRIPTION
1	4737E8621	Rear body panel (all) (Arctic White)
2	4737B8811	Rear end rail (all)
3	4714G08581	Red lens & base x2
	4733G1311	Socket & harness x2
	4714-3701	Bulb M4, (#194)
	4745-3968	Screw x2 (arctic white)
4	4749-4321	Taillight assembly x2
	4716-1041	Taillight lens only
	4714-8111	Light bulb, single fillement
	4714-8121	Light bulb, double fillement
	4747-2558	Expansion rivet x4
5	4744B5571	Bumper pad assembly x2
	1200B3038	Bolt x2
6	4744B859	Hole plug x2
7	4737B4458	Frame gasket x2
8	4739B4311	License plate light x2
9	4732-1181	Plastic grommet, M4
	1121C1618	License plate screw x2
10	4737A0728	Rubber bumper x2

2600 SERIES PIONEER BODY PANEL REPAIR KIT

4716C2121 Front/Rear Body Panel Hardware & Decal Kit

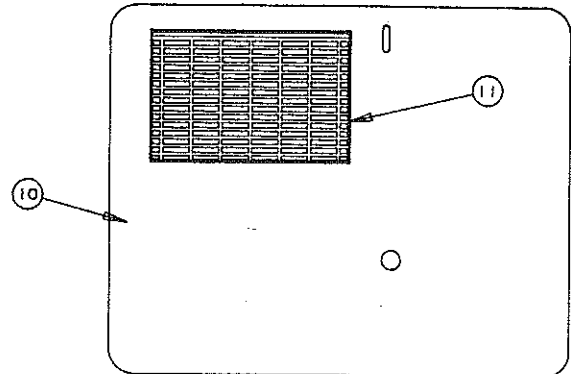


PIONEER SERIES - ARCTIC WHITE
CURBSIDE RIGHT REAR BODY PANEL & COMPONENTS

Note: All panels are shipped less trim tape & decals

CODE	PART NO.	DESCRIPTION
1	4737E8611	Body panel, 2666
	4744D0031	Body panel, 2685
	4744C0531	Body panel, 2692,93
	4748A4381	Body panel, 2694
1A	4739D2708	Body rail 2666
	4744A045	Body rail 2685
	4744A063	Body rail 2692,93
	4742-874	Body rail 2694
	1203-8641	Rivet, M50, (rail to panel)
	4723B8071	Velcro hook 2" x 2" square
	4724G2631	Velcro hook 3/4" wide
	4710-3621	Roll pin, M10 - x4
2	4748-8928	Die cut (yellow) curbside
3	4350001297F	Trim tape, 6ft (all)
4	4733-2818	RVIA tag
	1203-8678	Rivet x2
4A	4734D3051	Stove bracket
	4733D0601	Rivet x3, M25
5	4737-0738	Rail stop 6 3/16"
	4730B1211	Rail stop 16 3/16", M4
	4350000093	Double stick tape
6	4741C6041	Top latch (without lock)
	4749-484	Foam pad x1
	4741-8218	Tek screw x4
7	4350001296F	Trim stripe (narrow yellow) 4 ft. (all)
8	4746-9808	Pioneer logo
9	4737G8808	Name decal (Sedona)
	4744F0018	Name decal (Newport)
	4748-9878	Name decal (Seneca)
	4739H1918	Name decal (Chesapeake)
	4748A4748	Name decal (Arcadia)
10	4714H3391	Water heater door, 2694 only
11	4747-9241	Grill

2600 Series Pioneer Body Panel Repair Kit
4716D2101 Right Rear/Right Front/Access
Body Panel Trim Tape Kit



1992 Repair Parts

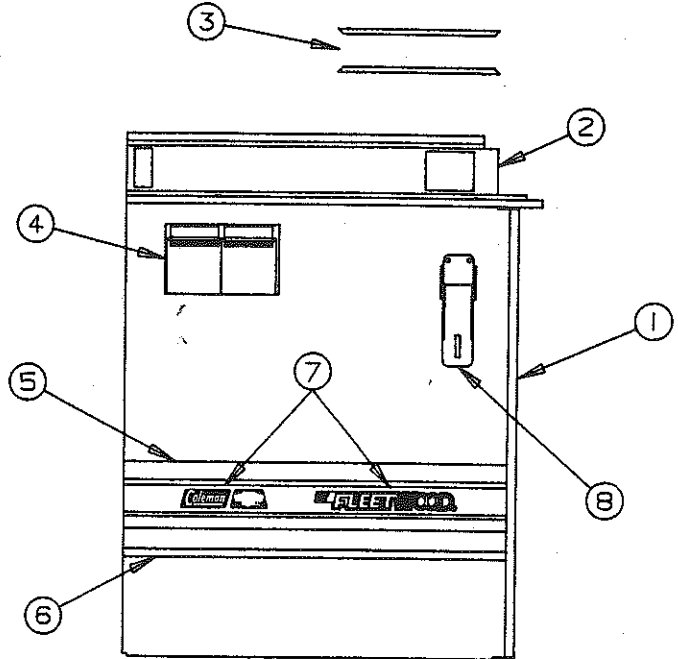
FLEETWOOD

PIONEER SERIES - ARCTIC WHITE

CURBSIDE RIGHT FRONT BODY PANEL & COMPONENTS

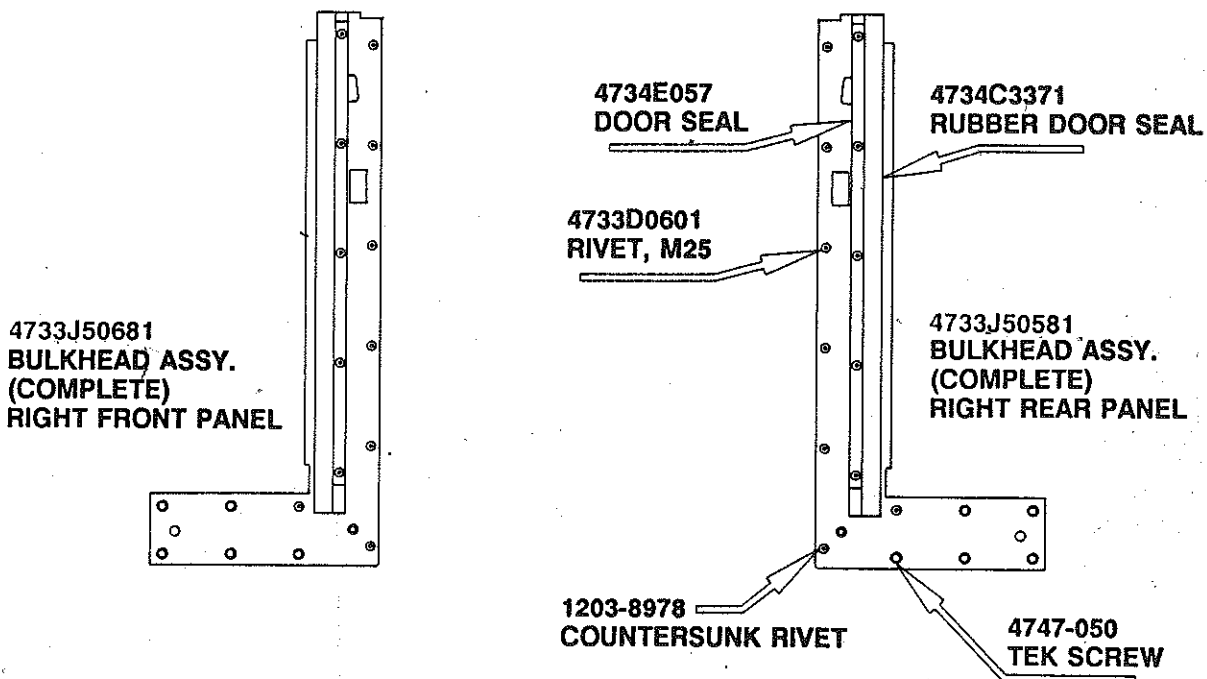
Note: All panels are shipped less trim tape & decals

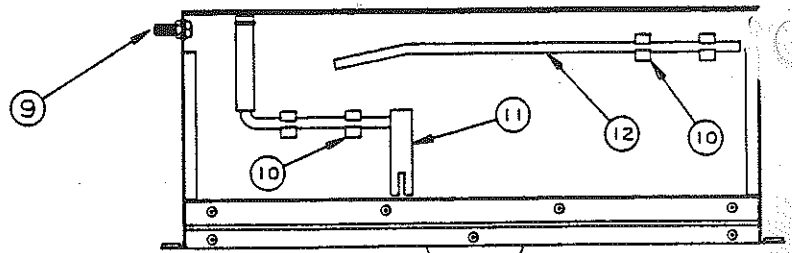
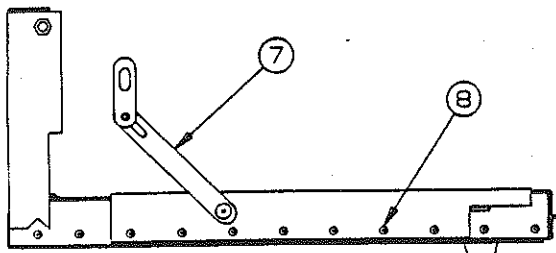
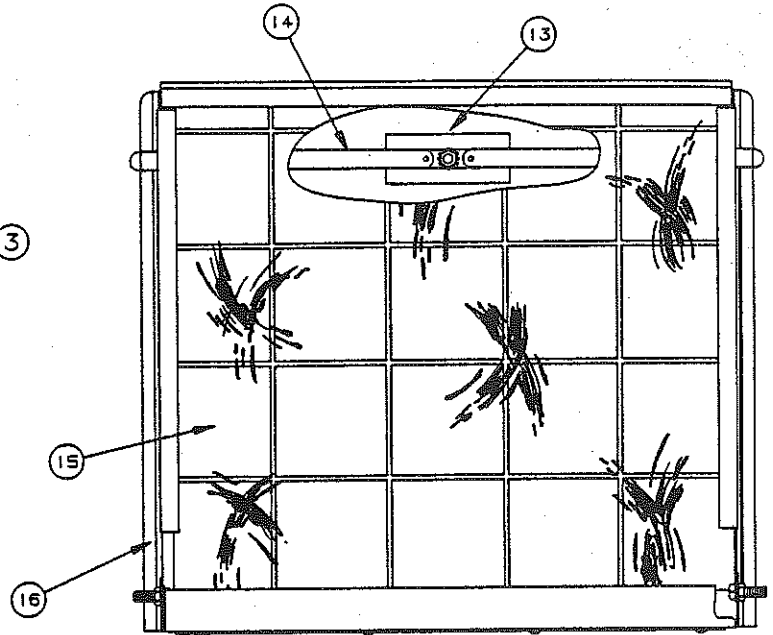
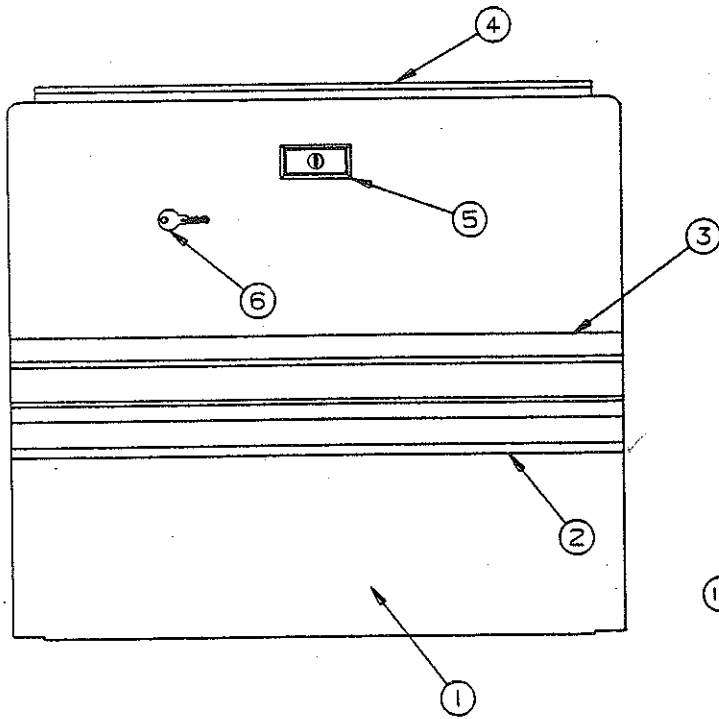
CODE	PART NO.	DESCRIPTION
1	4737E8571	Body panel, 2666
	4744D0051	Body panel, 2685
	4744C0551	Body panel, 2692,93
	4748A4371	Body panel, 2694
2	4739D2698	Body rail 2666
	4744-046	Body rail 2685
	4744A065	Body rail 2692,93,94
	1203-8641	Rivet, M50, (rail to panel)
	4723B8071	Velcro hook 2" x 2"
	4724G2631	Velcro hook 3/4" wide
3	4710-3621	Roll pin, M10 - x4
	4737-1088	Rail stop 10 11/16", 2666 (bottom of rail)
	4737-0738	Rail stop 6 3/16", 2666 (top of rail)
4	4730B1211	Rail stop 16 3/16", 2692,93,94,85
	4746A3861	Duplex cover & outlet
5	4746-3871	Duplex box
	1203-8678	Rivet x4
	4350001297F	Trim tape 4 ft. (all)
6	4350001296F	Trim stripe 4ft. (all)
7	4749A9408	Coleman/Fleetwood decal
8	4715F5051	Top latch (with lock)
	4749-484	Foam pad x1
	4741-8218	Tek screw x4



2600 Series Pioneer Body Panel Repair Kit
4716D2101 Right Rear/Right Front/Access Door
Body Panel Trim Tape Kit

ALL COMPONENT PARTS THE SAME ON FRONT & REAR





PIONEER SERIES - ARCTIC WHITE
4739K6541 - ACCESS DOOR ASSEMBLY (COMPLETE)

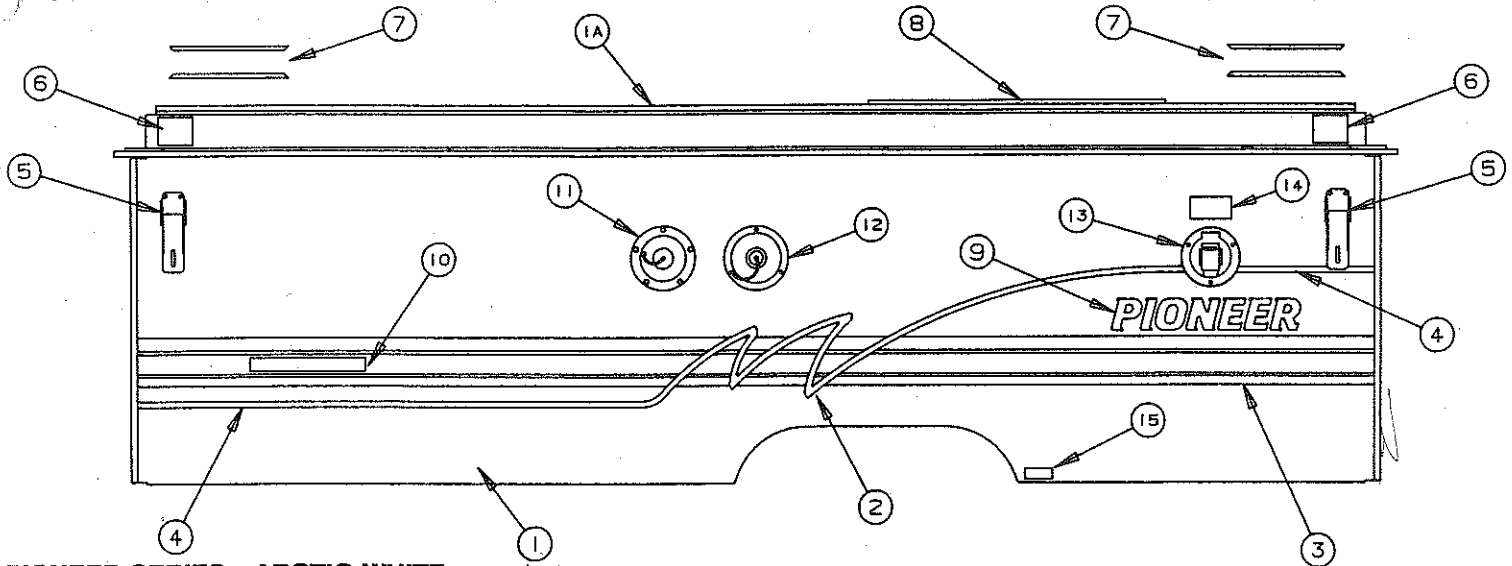
CODE	PART NO.	DESCRIPTION
1	4741F03281	Access door skin
2	4350001296F	Trim stripe, 3 ft.
3	4350001297F	Trim tape, 3 ft.
4	4731E2338	Access door cap
	1203-8641	Rivet, x8, M25
5	4730B3111	Lock handle
	4716-056	Screw x2
	1201B6958	Keps nuts x2
6	4730A3211	Access door key, M10
7	4744-6981	Swing arm assy.
	1203C8721	Rivet, M25
	1202B0468	Washer
8	4733D0601	Rivet x22, M25

9	1006B2428	Bolt x2
	1202B0468	Washer x2
	1201B5188	Nut x2
10	4734-2431	Snap clip, M4
	4733-4118	Tek screw
11	4747B4141	Crank handle
12	4749-1861	Stabilizer handle
13	4741-1438	Reinforcement plate
14	4741-6551	Lock bar assy.
15	4731P22981	Floor covering
16	4060025006	Foam tape
17	4745-3908	Caulking (arctic white)

2600 Series Pioneer Body Panel Repair Kit
4716D2101 Right Rear/Right Front/Access Door
Body Panel Trim Tape Repair Kit

1992 Repair Parts

FLEETWOOD.



**PIONEER SERIES - ARCTIC WHITE
LEFT SIDE BODY PANEL ASSEMBLY COMPONENTS**

NOTE: All panels are shipped less trim tape & decals.

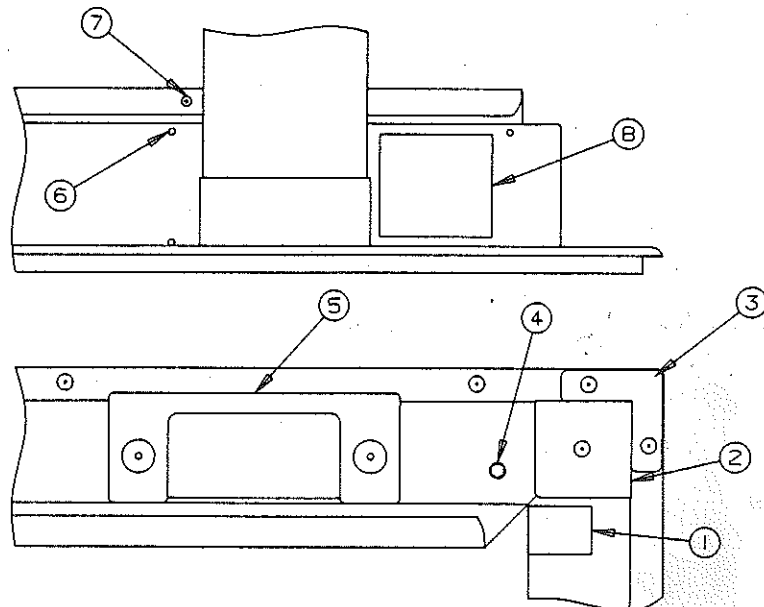
**2600 Series Pioneer Body Panel Repair Kit
4716D2111 Left Side Body Panel Trim Tape Kit**

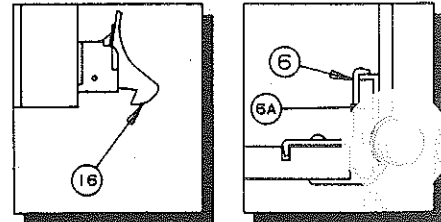
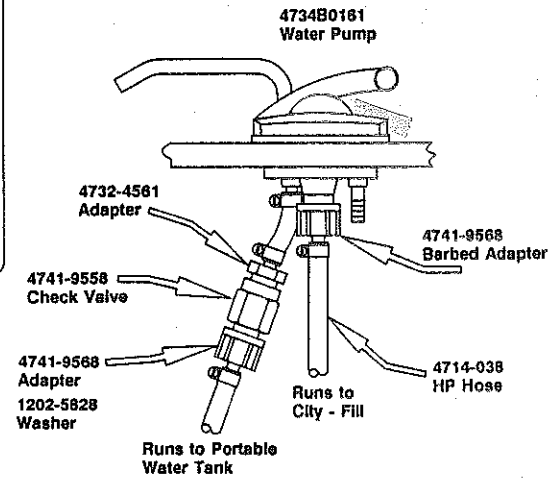
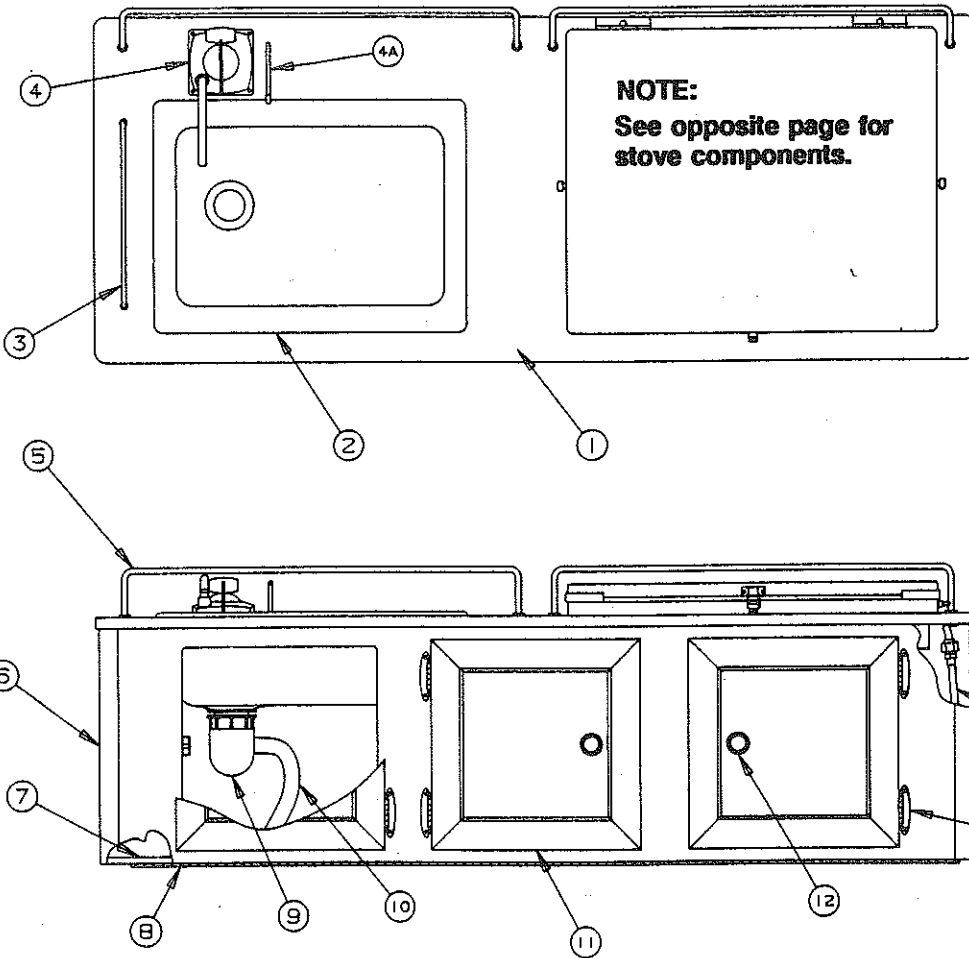
CODE	PART NO.	DESCRIPTION
1	4737H8631	Body panel 2666
	4744G0041	Body panel 2685
	4748-9841	Body panel 2692
	4744H0541	Body panel 2693
	4748A4341	Body panel 2694
1A	4739E2688	Body rail 2666
	4744A044	Body rail 2685
	4748-435	Body rail 2692, 2693, 2694
2	4748-8938	Die cut (yellow) roadside
3	4350001297F	Trim tape, 12 ft. (all)
4	4350001296F	Trim Stripe, 8 ft. (narrow yellow) (all)
5	4741C6041	Top latch (without lock)
	4749-484	Foam pad x1
	4741-8218	Tek screw x2

6	4723B8071	Velcro hook 2" x 2"
7	4737-0738	Rail stop 6 3/16", 2666,85
	4730B1211	Rail stop 16 3/16", 2692,93,94
8	4737B2581	Curtain track pkg., M2 32"
9	4746-9808	Pioneer logo
10	4749A9408	Coleman/Fleetwood decal
11	4731D1711	Fill spout (2694 only)
	4741-3508	Hex head screw x5
12	4732F15281	City water fill
	4732-4561	Male adapter (plastic)
	4741-3508	Hex head screw x3
13	4733B23361	Cable hatch
	4741-3508	Hex head screw x3
14	4745A9948	30 AMP decal

LIFT TRIM & MITER COVERS

CODE	PART NO.	DESCRIPTION
1	4747-2171	Bug hole patch
2	4716B9111	Inner miter cover, M4
	4747-2558	Rivet x1
3	4716C9101	Outer miter cover, M4
	4747-2558	Rivet x2
4	4741-8218	Screw
5	4734B4121	Lift trim
	4747-8651	Foam tape, M4 (under lift trim)
	1203-8831	Rivet x2, M25
6	4710-3621	Roll pin x4, M10
7	4716-081	Screw (to hold tent section in place)
8	4723B8071	Velcro hook 2" x 2" square





UPPER GALLEY ASSEMBLIES COMPONENT PARTS

CODE	PART NO.	DESCRIPTION
1	4748-9431	Upper galley top, 2666
	4737K1131	Upper galley top, 2685
	4748A42681	Upper galley top, 2692
	4744F0941	Upper galley top, 2693
	4748A4261	Upper galley top, 2694
	4716A179	T-molding 3/4" (green)
2	4710F0301	Sink, stainless steel (all except 2694)
	4745A2801	Sink (2694 only)
	4730D3151	Basket & strainer
	4714B0661	Crumb cup
3	4748A8061	Galley support bar (2692, 2694 only)
4	4734B0161	Water pump (all except 2694)
	4716-059	Screw x4
	4745D2741	Faucet, (2694 only)
4A	4746-9071	Pump hold down bar (includes nut bracket assy)
	4742-8701	Flange bushing (plastic)
	4746-542	Nut bracket assembly
5	4748C4211	Towel rack (all)
6	4748-8661	Cabinet corner, M2 (plastic)
6A	4748-857	Shim

7	4748A945	Upper galley bottom 2666
	4737H254	Upper galley bottom 2685
	4748B4258	Upper galley bottom 2692
	4744F095	Upper galley bottom 2693
	4748B425	Upper galley bottom 2694
8	4748-9441	Galley hinge 2666
	4737A1061	Galley hinge 2685
	4744A0961	Galley hinge 2692, 2693, 2694
9	4734A0671	Drain trap, M2
	4742A8781	Drain hose (sold per 5 ft sections)
	4734C0681	Drain spout, M2
	4744-2678	Hose clamp x2
	4714-0021	Cap & strap, M2
11	4737M5171	Door assembly (all)
	4744A5681	Latch bracket assembly
12	4748-3951	Door pull
13	4739B0518	Hinge
14	4730A3431	Gas hose (flexible) (all)
15	4741F051	Galley side (all)
16	4744-9261	Chicken latch
	4737-3208	Tek screw x2
	4744A9271	Strike, M2 (located on lower galley top)

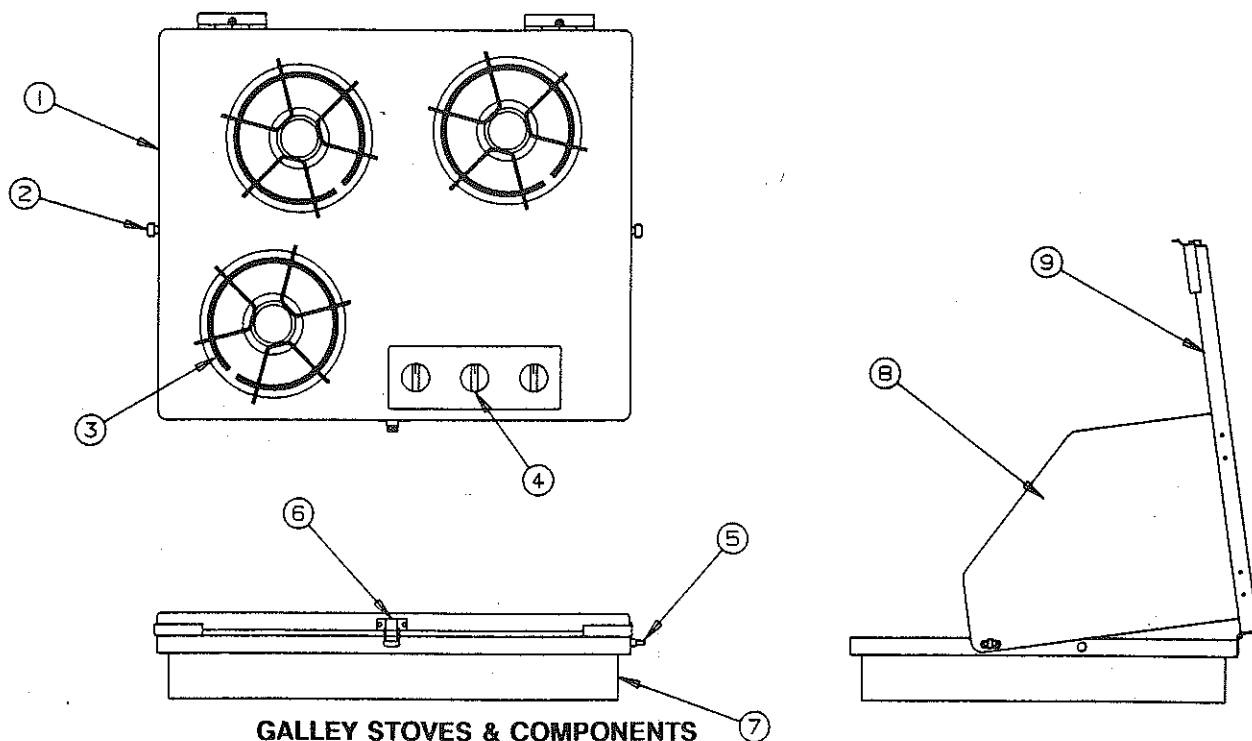
1992 Repair Parts

FLEETWOOD.

UPPER GALLEY ASSEMBLIES - PIONEER SERIES

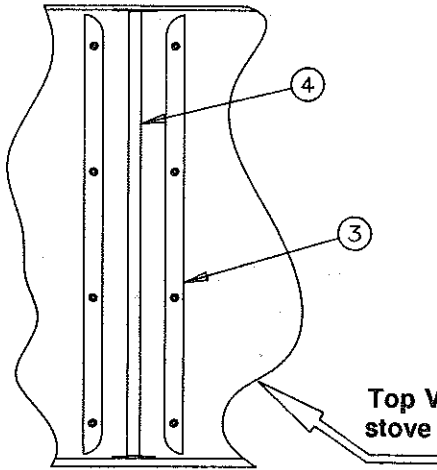
2666	Sedona	4748-616	(complete)
2685	Newport	4739J658	(complete)
2692	Seneca	4748A5258	(complete)
2693	Chesapeake	4748-589	(complete)
2694	Arcadia	4748A525	(complete)

NOTE: All complete upper galley assemblies are special orders, orders will take slightly longer to be shipped.



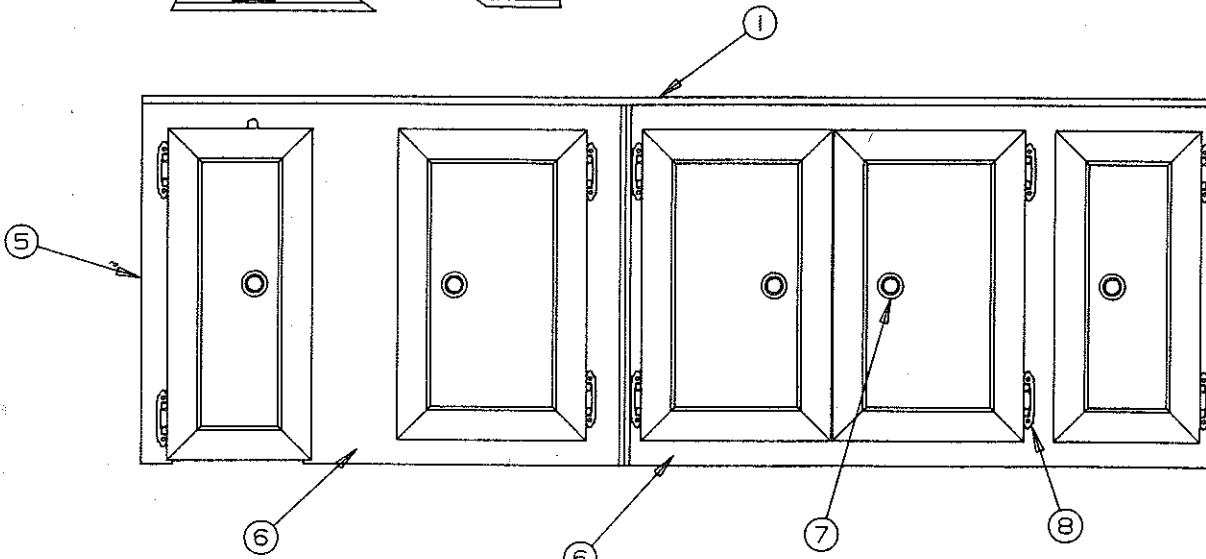
GALLEY STOVES & COMPONENTS

CODE	PART NO.	DESCRIPTION
1	4744D2381	2 Burner stove top, 2666, 2685
	4744D2401	3 Burner stove top, 2692, 2693, 2694
2	4716A0881	Thumb screw, M6
3	4716-1851	Grate (all)
4	4716-1861	Knob (all)
5	1226D1538	Stove fin latch
	1203-8678	Rivet x2
6	4733-4018	Latch
	4733B4028	Strike
	1203-8558	Rivet
7	4739E2871	2 Burner stove box, 2666, 2685
	4739G2931	3 Burner stove box, 2692, 2693, 2694
8	4741F4131	Stove fin (all)
	4741A4401	Hinge x2
9	4741C6261	Stove cover, 2666, 2685
	4741E60381	Stove cover, 2692, 2694
	4741E6031	Stove cover, 2693
	4739A282	Stove cover hinge x2 (located on lower galley assembly)



LOWER GALLEY ASSEMBLIES (COMPLETE)

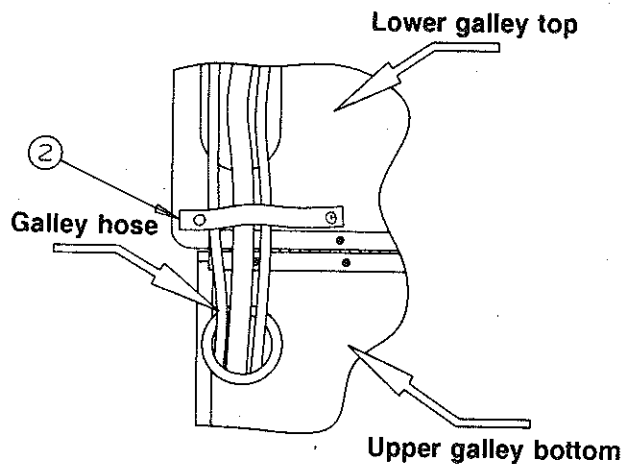
2666 Sedona	4741J608
2685 Newport	4744H508
2692 Seneca	4748A5288
2693 Chesapeake	4739L526
2694 Arcadia	4748A528



LOWER GALLEY COMPONENT PARTS:

NOTE: Please refer to opposite page for door panel part numbers.

CODE	PART NO.	DESCRIPTION
1	4739H1951	Lower galley top, 2666
	4744D3621	Lower galley top, 2685
	4748A44581	Lower galley top, 2692
	4739J0121	Lower galley top, 2693
	4748A4451	Lower galley top, 2694
2	4724-5951	Tie down
	4716-075	Screw
3	4746-9421	Floor guide (wood)
	4716-069	Screw x4
4	4746-934	Stove guide (metal)
5	4744C857	Cabinet side (2666 only)
	4734-4358	Bushing x1
6	4744C984	Galley front x1, 2666
	4744C979	Galley front x1, 2685
	4749A2408	Galley front (small) 2692, 2694
	4748A444	Galley front (long) 2692, 2694
	4744C964	Galley front (small) 2693
	4744C965	Galley front (long) 2693
7	4748-3951	Door pull
8	4745C26188	Hinge
	4749B4118	Screw 1/2" bright brass
	4749B4598	Screw 3/8" bright brass
9	4746A0971	Kill switch (not shown)



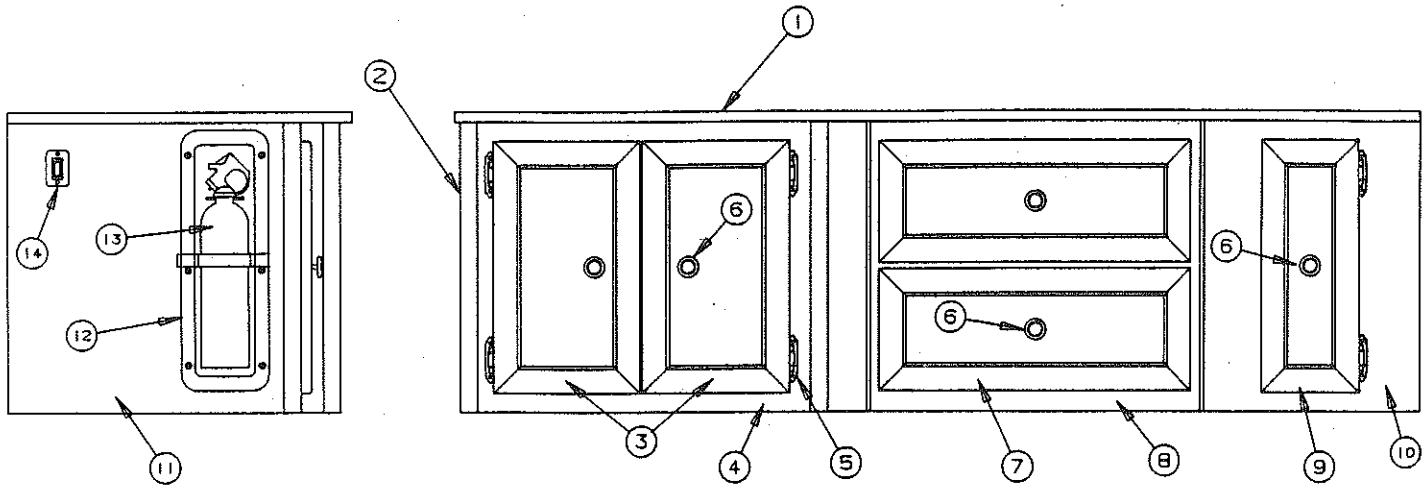
1992 Repair Parts

FLEETWOOD.

DOOR PANELS USED ON PIONEER LOWER GALLEY ASSEMBLIES

NOTE: DOOR PANELS SHIPPED LESS HARDWARE

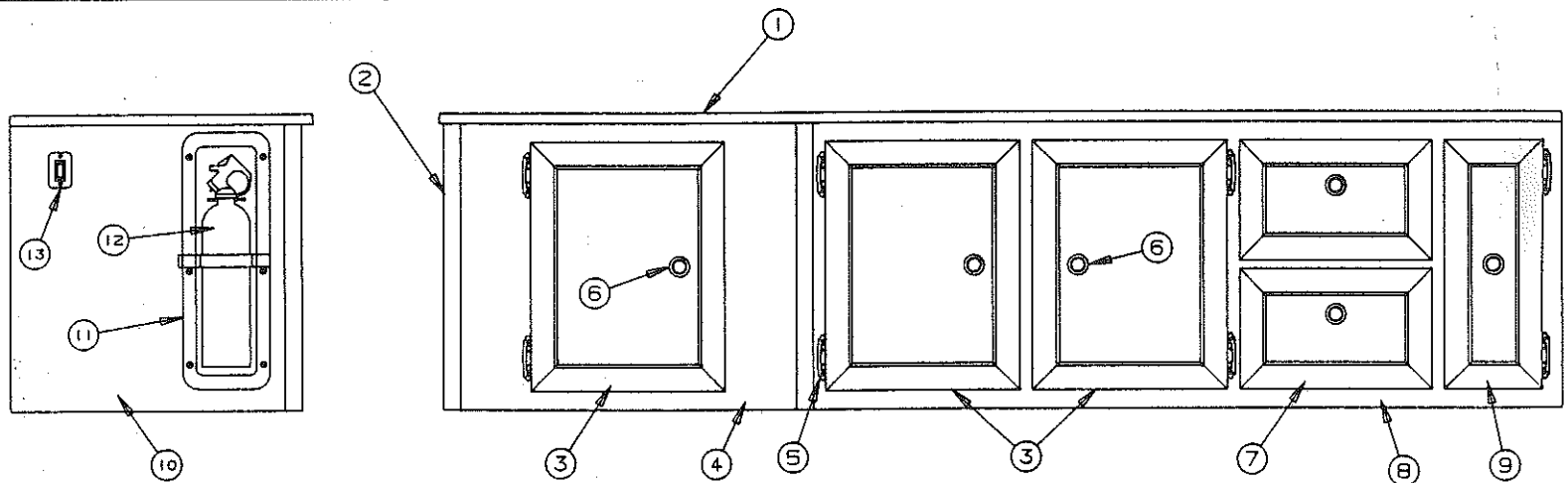
<u>MODEL</u>	<u>PART NO.</u>	<u>DESCRIPTION</u>	<u>QTY</u>	<u>DIMENSIONS</u>
2666	4748-5911	Door panel	x1	6 x15
Sedona	4749A6211	Door panel	x3	8 13/16 x 15
	4746A5501	Door panel	x1	7 1/4 x 16
2685	4746A5501	Door panel	x1	7 1/4 x 16
Newport	4749A6211	Door panel	x3	8 13/16 x 15
2692	4749A6211	Door panel	x2	8 13/16 x 15
Seneca	4746A5501	Door panel	x1	7 1/4 x 16
	4749A6211	Door panel	x1	8 13/16 x 15
	4748-5971	Door panel	x1	15 1/4 x 16
2693	4746A5501	Door panel	x1	7 1/4 x 16
Chesapeake	4749A6211	Door panel	x3	8 13/16 x 15
	4749A6221	Door panel	x1	7 x 15
2694	4749A6211	Door panel	x2	8 13/16 x 15
Arcadia	4746A5501	Door panel	x1	7 1/4 x 16
	4749A6211	Door panel	x1	8 13/16 X 15
	4748-5971	Door panel	x1	15 1/4 x 16



2685 NEWPORT HUTCH ASSEMBLY (4749C535)

CODE	PART NO.	DESCRIPTION
1	4749A0841	Hutch top
2	4748-8661	Hutch corner M2 (plastic)
3	4749A6211	Door panel, x2
4	4748-933	Hutch front
5	4745C26188	Hinge, (self closing)
6	4748-3951	Door pull
7	4749A6371	Drawer assembly

8	4749A941	Hutch front
9	4749A6211	Door panel
10	4748-935	Hutch front
11	4744D1908	Hutch side
12	4737B4198	Recessed mount
13	4737A5558	Fire extinguisher
14	4733A4981	Switch



2693 CHESAPEAKE HUTCH ASSEMBLY (4744F580)

CODE	PART NO.	DESCRIPTION
1	4744F18381	Hutch top
2	4748-8661	Hutch corner M2 (plastic)
3	4739J5321	Door panel x3
4	4748-844	Hutch front
5	4745C26188	Hinge, (self closing)
6	4748-3951	Door pull

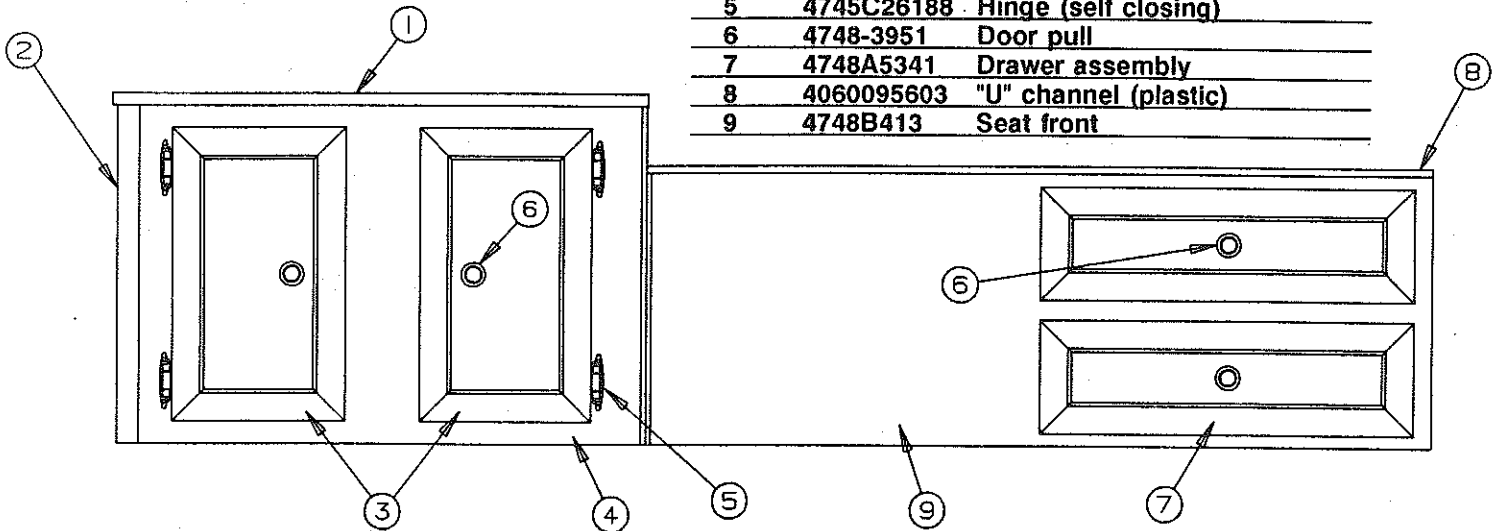
7	4749A6111	Drawer assembly
8	4744E1868	Hutch front
9	4748-5911	Door panel
10	4744D1908	Hutch side
11	4737B4198	Recessed mount
12	4737A5558	Fire extinguisher
13	4733A4981	Switch

1992 Repair Parts

FLEETWOOD.

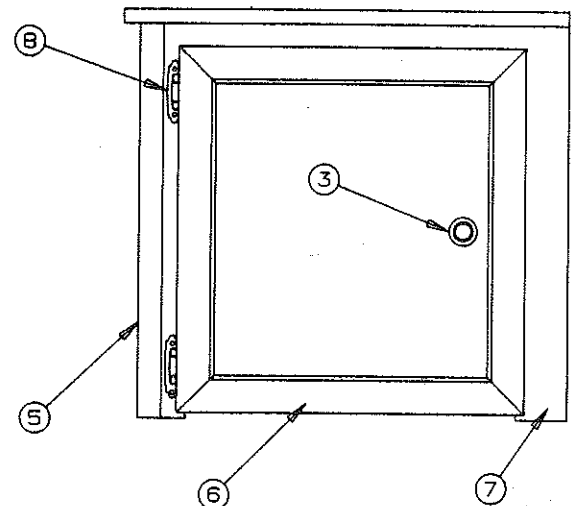
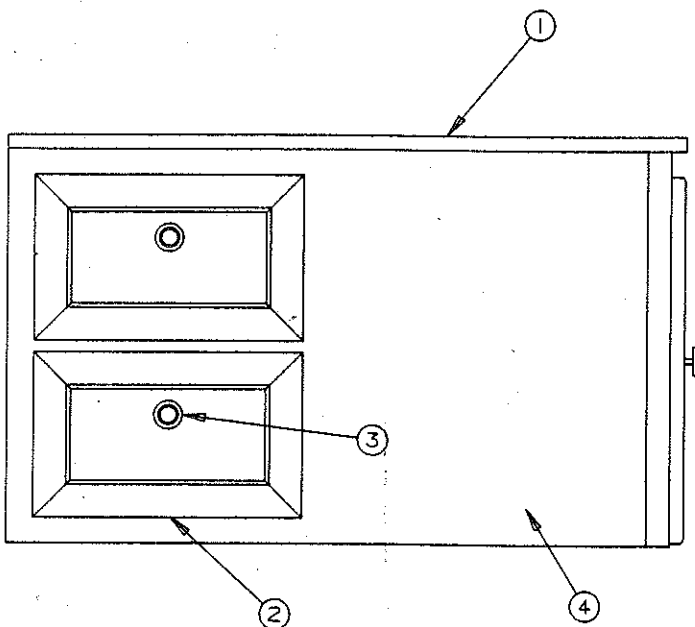
2694 ARCADIA HUTCH/SEAT ASSEMBLY (4748A529)

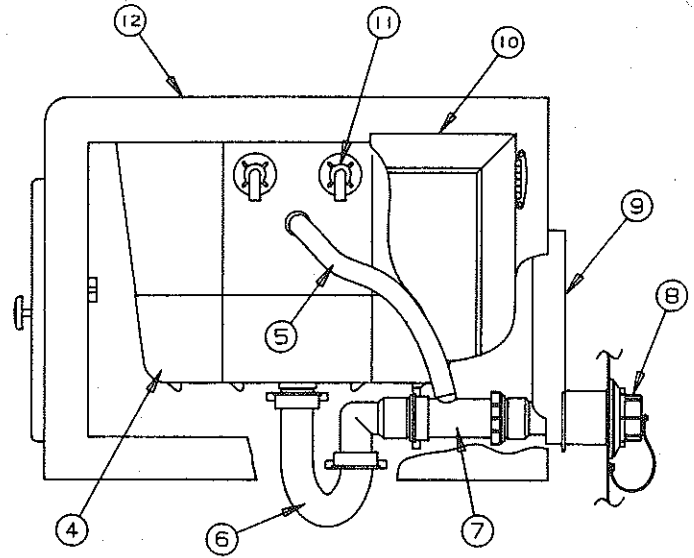
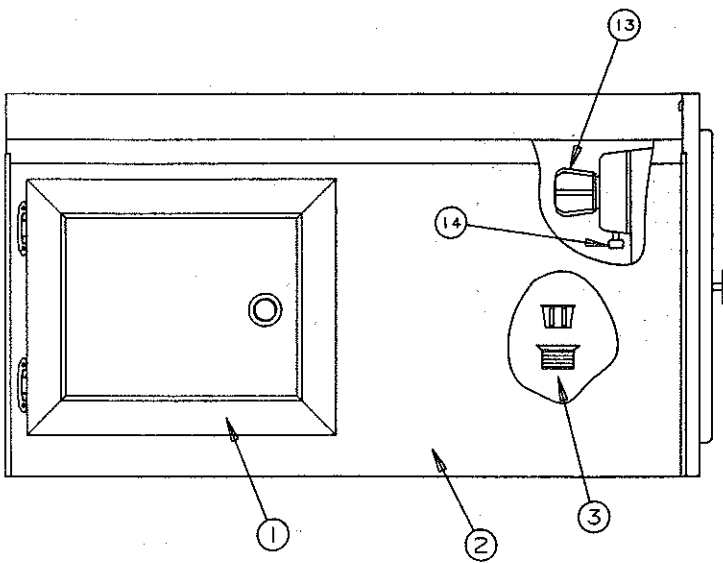
CODE	PART NO.	DESCRIPTION
1	4748A4161	Hutch top
2	4748-8661	Hutch corner, M2 (plastic)
3	4749A6211	Door panel, x2
4	4748A414	Hutch front
5	4745C26188	Hinge (self closing)
6	4748-3951	Door pull
7	4748A5341	Drawer assembly
8	4060095603	"U" channel (plastic)
9	4748B413	Seat front



2666	STORAGE CABINET (4748-615)
2692, 2693	STORAGE CABINET (4748-590)
2685	STORAGE CABINET (4746-554)

CODE	PART NO.	DESCRIPTION
1	4748-9311	Cabinet top, 2666
4742-830	4748-8351	Cabinet top, 2685
	4748-8541	Cabinet top, 2692, 2693
2	4749A6111	Drawer assembly x2, 2692, 2693
3	4748-3951	Door pull
4	4748-929	Cabinet side 2666
	4748-834	Cabinet side 2685
	4748-852	Cabinet side 2692, 2693
5	4748-8661	Cabinet corner, M2
6	4748-5971	Door panel (all)
7	4748-930	Cabinet 2666, 2685
	4748-853	Cabinet front, 2692, 2693
	4748-8538	Cabinet front, 2685
8	4745C26188	Hinge (self closing)

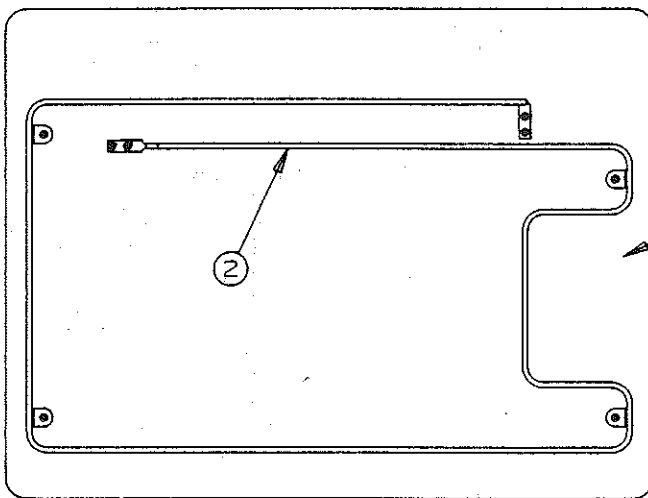




2694 ARCADIA SHOWER CABINET (4748A547)

CODE	PART NO.	DESCRIPTION
1	4744F57281	Door panel
	4741A4241	Toilet tissue holder
2	4741F1818	Shower cabinet front
3	4746A1821	Basket & strainer
4	4741A2221	Bathtub
5	4060087538	Flexible tubing (smoked grey)
6	4741B9328	"P" trap
7	4748-824	Overflow tail w/slipnut
8	4714A2861	Cap & strap pkg
	4749-4131	Tube drain gasket

9	4741B9301	Vent system
10	4748A5461	Door panel
11	4741-2351	Swivel street elbow
12	4741D17981	Shower cabinet side
13	4741B2071	Shower diverter
14	4716-0848	Shower hose connector
15	4746A3761	Shower head w/bracket (not shown)
16	4741B2051	Shower hose (not shown)



SHOWER CURTAIN ROD ASSY (4748A5411 COMPLETE)

CODE	PART NO.	DESCRIPTION
1	4748A4611	Back board (green glaze)
2	4748B459	Shower curtain rod assy.
	4737-8478	Screw x8
3	4749-6661	Shower curtain (not shown)
	4748-8161	Shower curtain clips, M10

1992 Repair Parts

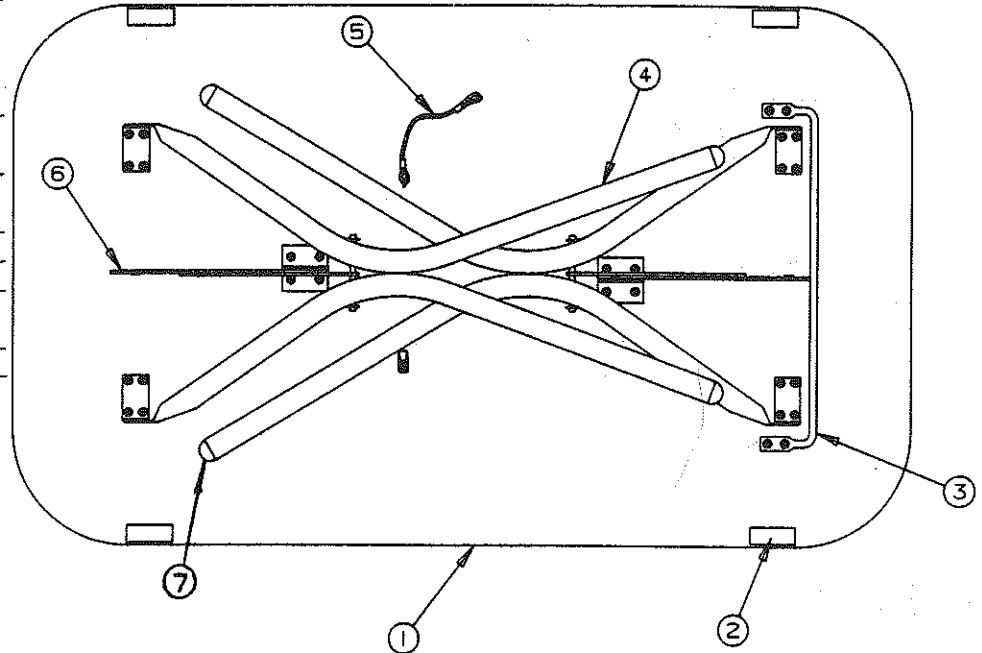
FLEETWOOD.

DINETTE TABLE ASSEMBLY - 2600 SERIES PIONEER

CODE	PART NO.	DESCRIPTION
1	4737G1511	Table top, 2666
	4749A10181	Table top, 2685
	4744B45281	Table top, 2692,93,94
	4716A179	T-molding (green)
2	4724D2631	Velcro hook x4
	4724E263	Velcro loop x4
3	4734D0841	Towel bar
	4737-8488	Screw x4
4	4745A52781	Table leg, M2
5	4720B5951	Table strap, M4
6	4720A1501	Lock brace pkg.
	4737-8488	Screw
7	4720C3928	Table leg cap

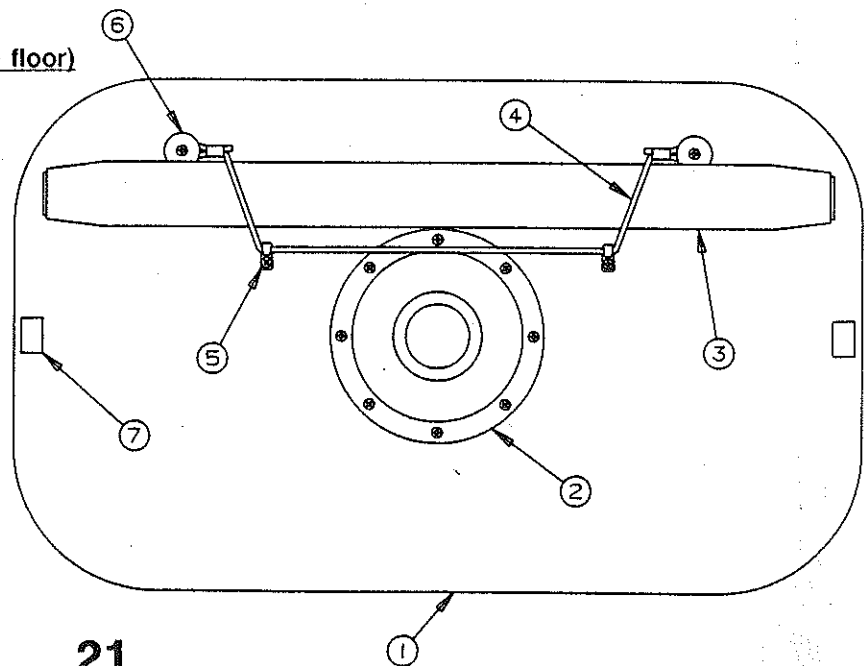
TABLE TOP DIMENSIONS

4737G1511	39 3/8 x 30
4749A10181	39 3/8 x 23 1/2
4744B45281	39 5/8 x 30



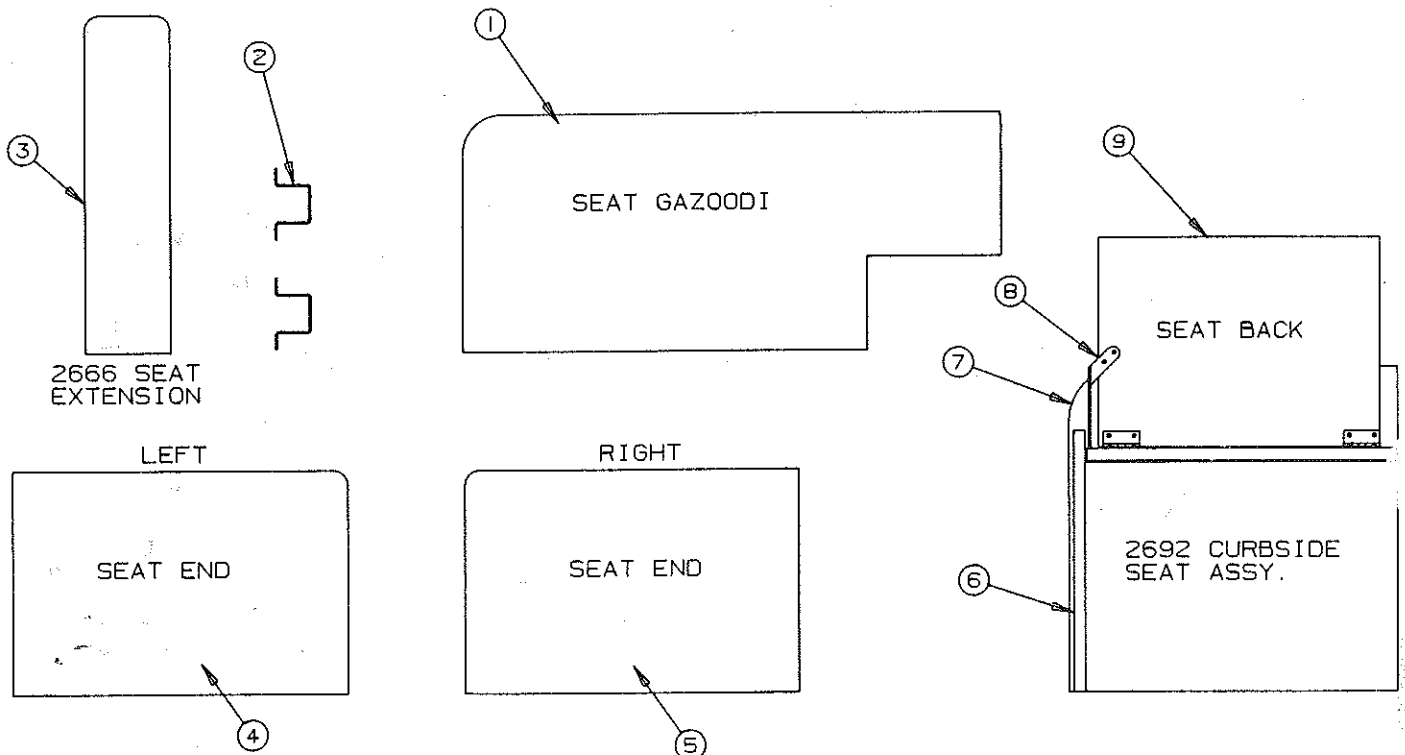
PEDESTAL TABLE ASSEMBLY, 2692 MODEL ONLY

CODE	PART NO.	DESCRIPTION
1	4746-8141	Table top, 2692 - 27 3/4 x 17 7/8
	4716A179	T-molding (green)
2	4746-821	Standard base
	1114B1018	Countersunk screw x8
	4746-819	Recessed mount (located on floor)
3	4746-8201	Pedestal leg
4	4716-0891	Shock cord assy.
5	4720D4021	Lashing hook, M6
	4737-8488	Screw x2
6	1202B2528	Washer x2
	4737-8488	Screw x2
7	4724D2631	Velcro hook x2
	4724E263	Velcro loop x2



PIONEER SERIES SEAT FRAME ASSEMBLIES

Model	Part No.	& Side	Part No.	& Side
2666 Sedona	4741G573	- Curbside	4733K5828	- Roadside
2685 Newport	4749A5416	- Left	4749C542	- Right
2692 Seneca	4748A538	- Roadside Left	4748A540	- Roadside Right
	4748-630	- Curbside Right	4748-631	- Curbside Left
2693 Chesapeake	4744F5478	- Left	4744H5468	- Right
2694 Arcadia	4748A538	- Left	4748A540	- Right



Code	Part No.	Description
1	4744F19381	Seat gazoodi, 2685, 2693
	4748A4461	Seat gazoodi, 2692, 2694
2	4746A0248	Cushion bumper
3	4739F2151	Seat extension top (2666 only)
4,5	4749B0961	Seat end, 2685 (left & right)
	4748A4601	Seat end, 2692, 2694 (left & right)
	4744B97081	Seat end, 2693 (left & right)
6	4746-8091	Seat end, 2692 (right & left)
	4746-8081	Seat end, 2692
8	4748-9971	Support arm 2692
9	4748-996	Backrest support 2692
	4734-3701	Hinge

1992 Repair Parts

FLEETWOOD

CUSHION AND BACKREST ASSEMBLIES

Model	Cushion		Backrest	
	Assembly	Cover	Assembly	Cover
2666 Sedona	4744F6021	4714K7351	4744F6051	4714K7371
2685 Newport	4749C5441	4716C5441	4749C5451	4716C5451
2692 Seneca (long)	4748-6291	4716-6291	4744F6051	4714K7371
2692 Seneca (small)	4748-6271	4716-6271	4748-6281	4716-6281
2693 Chesapeake	4744F6261	4714F6261	4744J5421	4714J5421
2694 Arcadia	4748A5491	4716A5491	4748-6201	4716-6021
2694 Arcadia	4748A5501	4716A5501	Hutch Seat Cushion	

REFERENCE DIMENSIONS

MODEL	CUSHION
2666	38 3/4 X 19 1/2 X 4 5/8
2685	38 3/4 x 15 x 4 5/8
2692	38 3/4 x 17 7/8 x 4 5/8
2692	16 3/4 x 16 5/16 x 4 1/2
2693	38 3/4 x 19 1/2 x 4 5/8
2694	38 3/4 x 17 7/8 x 4 5/8
2694	40 3/8 x 18 7/8 x 4 5/8

BACKREST

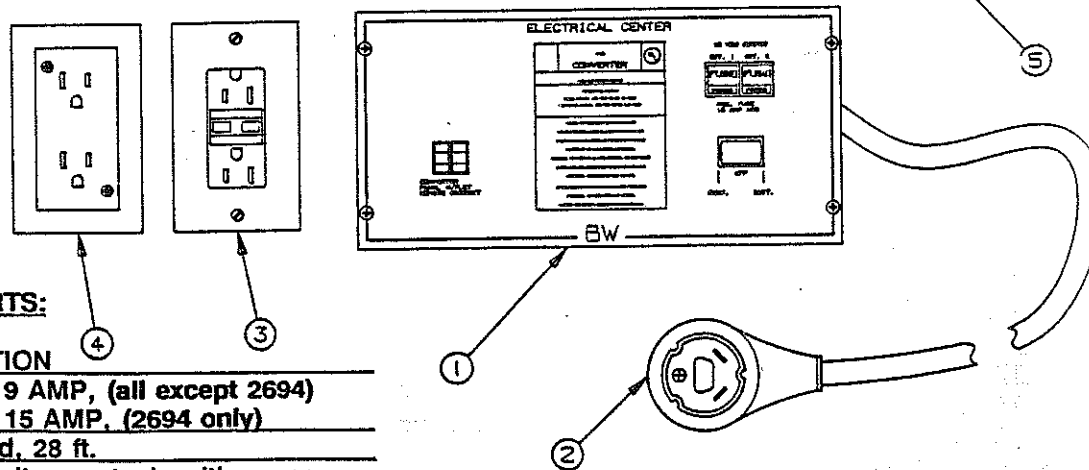
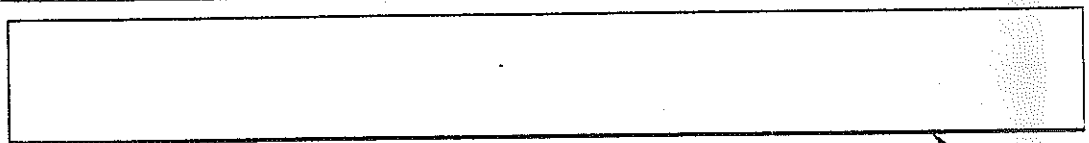
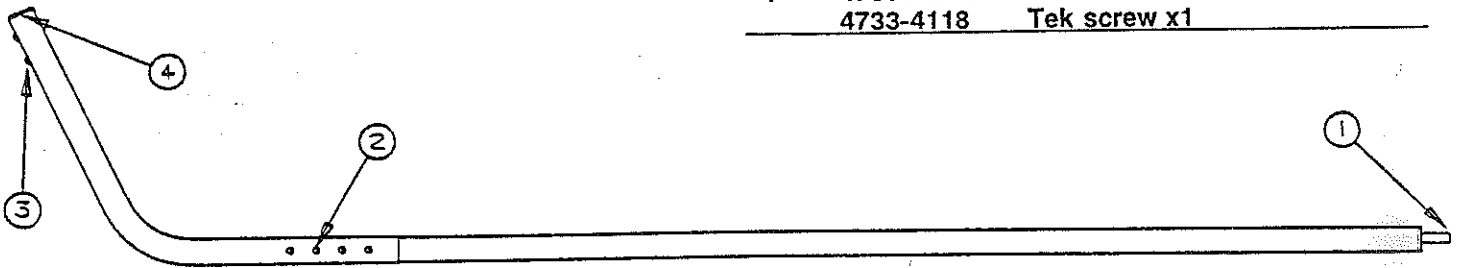
38 3/4 X 16 3/16 X 4 3/8
38 3/4 x 13 9/16 x 4 3/8
38 3/4 x 16 3/16 x 4 3/8
18 3/4 x 16 11/16 x 4 3/8
38 3/4 x 16 13/16 x 4 3/8
38 3/4 x 16 13/16 x 4 3/8

TENT SUPPORT ASSEMBLIES (COMPLETE)

MODEL	FRONT BED	REAR BED
2666	4737F5431	4748-6031
2685	4741D5591	4741D5591
2692,93,94	4741E5581	4741D5591

COMPONENT PARTS:

CODE	PART NO.	DESCRIPTION
1	8470-1728	Pole pin, blue, x1 (blue)
2	4734-6708	Spring assy x1
3	4734A6708	Spring assy x1
4	4730B4648	Tube closure x1
	4733-4118	Tek screw x1



CONVERTER AND RELATED PARTS:

CODE	PART NO.	DESCRIPTION
1	4742-9811	Converter 9 AMP, (all except 2694)
	4750-1111	Converter 15 AMP, (2694 only)
2	4744-3101	Power cord, 28 ft.
3	4746B3841	Ground fault receptacle with cover
	4746A385	Receptacle box
4	4710B3551	Receptacle with cover (brown) 15 AMP
	4744-3081	Receptacle with cover (brown) 20 AMP
	4746A385	Receptacle box
5	4744E02381	Converter cabinet top (all except 2685)
	4749A10481	Converter cabinet top (2685 only)
6	4714-3411	Fuse cap, M4

DRAPES

Pioneer Series	Drape Package	No. of Panels	Color
2666 Sedona	4724P6331	4	Light Blue
2685 Newport	4724D7961	4	Mauve
2692 Seneca	4748-6251	5	Green
2693 Chesapeake	4723E7781	5	Burgundy
2694 Arcadia	4748-6191	5	Mauve

Component Parts

4725A1981 Plastic drape tab, M100

SINGLE DRAPE PANEL W/SAFETY STRAP

4716C0421	Green, 2666, 2692
4716C0411	Mauve, 2685, 2694
4716A0571	Burgundy, 2693

DRAPE TIE PKG (Qty 1)

4716-1141	Curtain tie, 2666, 2692
4716-1151	Curtain tie, 2685, 2694
4716-1161	Curtain tie, 2693

VALANCE PACKAGES

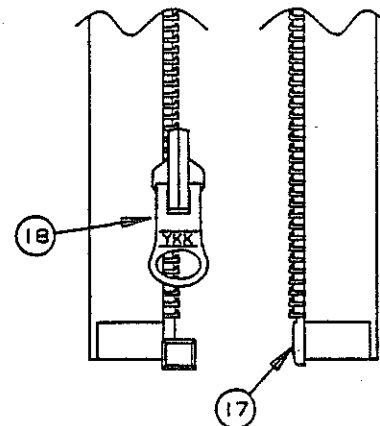
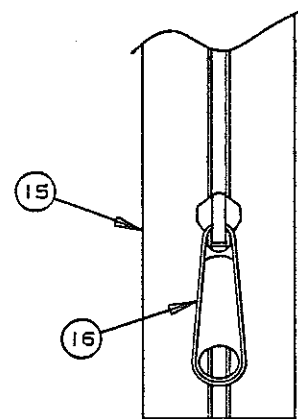
2666	4716-8511
2685	4716-8521
2692	4716-8531
2693	4716-8541
2694	4716-8551

PANELING AND TRIM

4714E4501	Universal wall panel (48 x 18 3/16) Greenbriar oak
4716-2241	Universal wall panel (48 x 18 3/16) Desert plain
4714D2911	Corner divider (Desert plain) M5
4714D2921	Panel divider (Desert plain) M5, 17 3/4"
4714D2931	Toe molding (Desert plain) M2, 48" lengths
4714E2911	Corner Divider (Greenbriar oak) M5, 17 3/4"
4714E2921	Panel divider (Greenbriar oak) M5, 17 3/4"
4714E2931	Toe molding (Eim) M2, 48" lengths

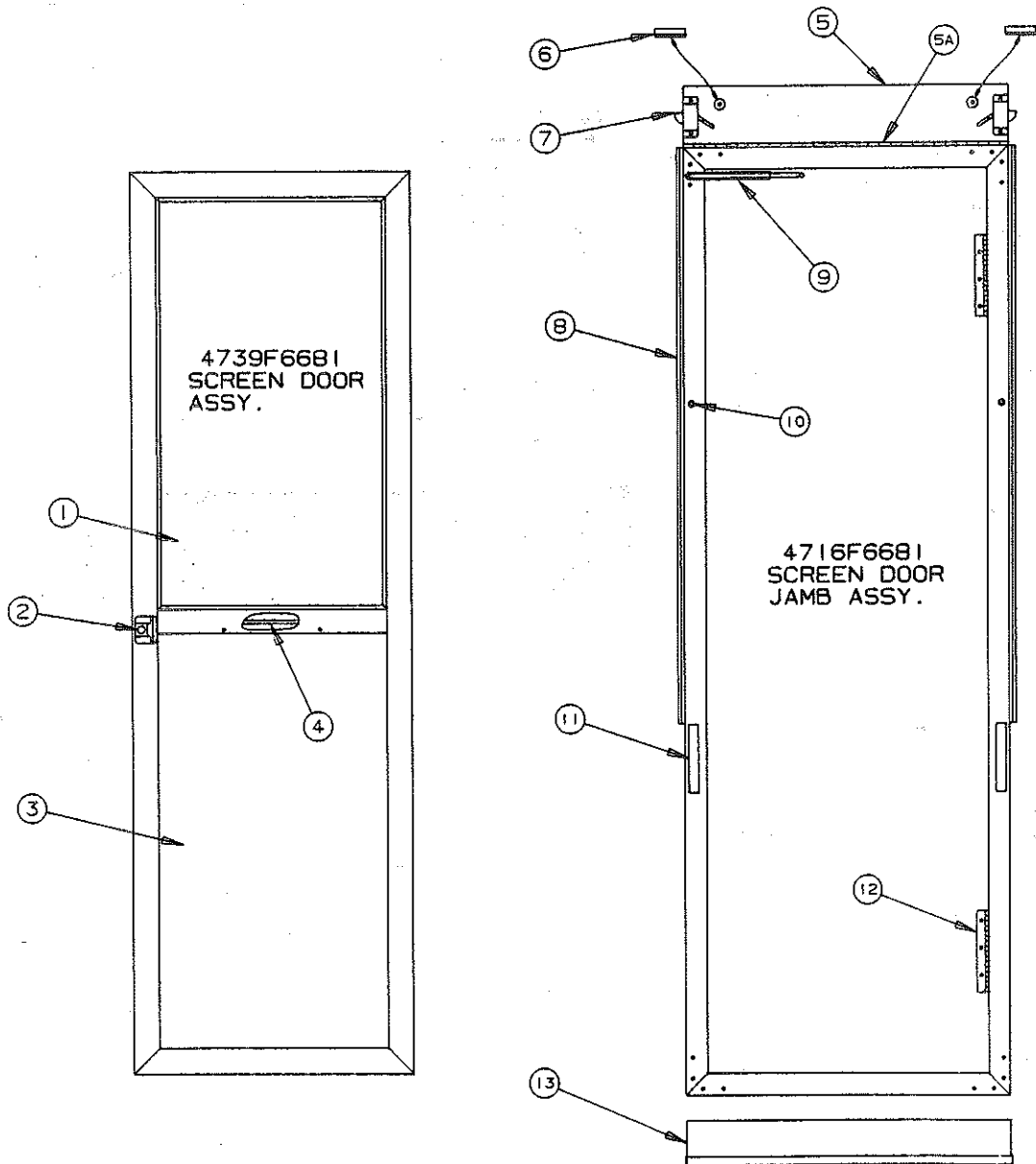
EVOLUTION III ASSEMBLIES & COMPONENTS

CODE	PART NO.	DESCRIPTION
1	4724C77951	Front boot 2666
	4748-59451	Front boot 2685
	4748-59551	Front boot 2692,93,94
2	4748-62651	Rear boot 2666
	4748-59451	Rear boot 2685,92,93,94
3	4724A81451	Large window 2666
	4748-59951	Large window 2685
	4748-59351	Large window 2692,93,94
4	4728B68451	Small window 2666
	4748-88051	Small window 2685
	4748-59251	Small window 2692,93,94
5	4724A81351	Door seal 2666
	4748-59851	Door seal 2685
	4748-58051	Door seal 2692,93,94
6	4060100056	Door seal extrusion 46" (rubber)
7	3750107801	Screening 78" wide
8	8115400018	Evolution III, 7 oz. (grey)
9	4064101201	Clear vinyl 41", 12 mil.
10	8119901428	Top vinyl (grey/white back)
11	8119901426	Bottom vinyl (rain forest green)
12	4060000024	Arrowhead seal
13	4060000055	Vinyl tubing 5/16" dim.
14	8160000320	Bias binding (grey)
15	6650500130	Zipper (grey) around windows
16	1225-4461	Zipper pull (grey)
17	1225G3478	Zipper pin half (grey)
18	1225G3468	Zipper slider half (grey)
19	4716A0851	Evolution patch pkg. (12"x14")
20	8111100101	11" Elastic pocket (sold/yard)
21	4714B6021	Shock cord & clips, M2 (14')
22	4743-1588	Seam sealer



1992 Repair Parts

FLEETWOOD



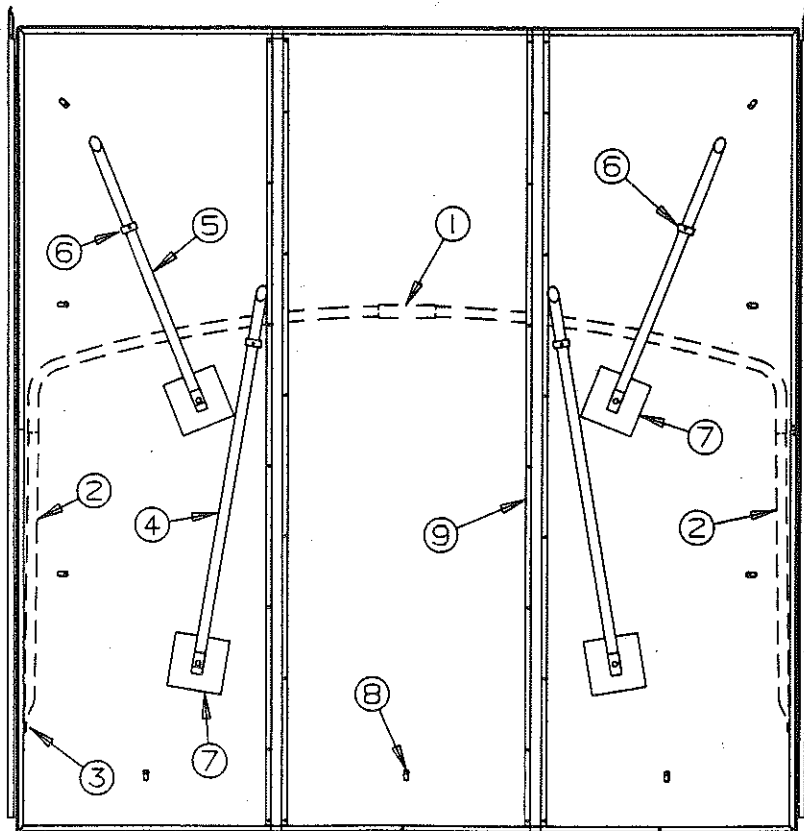
SCREEN DOOR AND JAMB ASSEMBLIES

4739F6681 Screen door assembly (all)
 4716F6681 Screen door jamb assembly (all)

CODE	PART NO.	DESCRIPTION
1	4716-8801	Sliding window pane
2	4742-9671	Latch pkg
3	4737C8771	Kickplate
4	4749-8861	Drip seal
5	4741E88381	Top bracket
5A	4749A21581	Hinge
6	4734D5211	Cable assembly, x2, M6
	1203-8831	Rivet x2
	4733-3398	Plastic bushing x2

L7474501

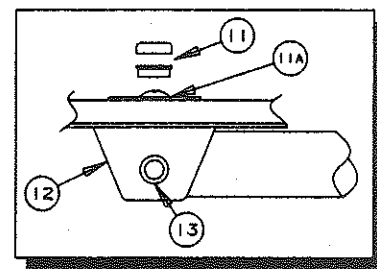
7	4741-8658	Sash lock x2
	4734B1861	Rivet x4, M25
8	4710H4101	Door seal, 46" long
	4734B1861	Rivet x2, M25
	4741B9861	Rivet x8, M25
9	4731A8201	Spring package
10	4730A3548	Stud w/screw
11	4350000005	Velcro hook (grey 3/4")
12	4720C3601	Hinge x2
	1203-8631	Rivet x3, M50
13	4741E6221	Screen door support
	4060000399	Rubber seal (sold/foot)



PIONEER BED ASSEMBLIES, (COMPLETE)

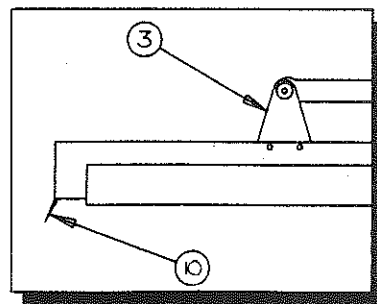
NOTE: All complete bed assemblies are special orders. Orders will take slightly longer to be shipped.

MODEL	PART NO.	DESCRIPTION
2666	4748-6121	Front Bed (single)
2666	4748-6131	Rear Bed (double)
2685	4744C5101	Front Bed (double)
2685	4741D6491	Rear Bed (double)
2692,93,94	4744D5201	Front Bed (queen)
2692,93,94	4744C5191	Rear Bed (double)



BED ASSEMBLY COMPONENT PARTS

CODE	PART NO.	DESCRIPTION
1	4737F2631	Bed bow assy. (all)
2	4737F2641	Bed bow support x2 (all)
	4733-4118	Tex screw
3	4720G5631	Bed bow bracket x2 (all)
	4716-078	Screw x2
4	4733E6351	Bed leg assy. x2 (queen bed)
5	4720F5821	Bed leg assy. x2 (all front bed assy's)
	4734D5881	Bed leg assy. x2 (all rear bed assy's)
6	4720C0771	Bed leg support clip, M4
	1203-8831	Rivet, M25
7	4737A4178	Support plate
8	4720D4021	Lashing hook, M6
	1203-8741	Rivet, M25
9	4733-085	Bed channel x2 (queen bed)
	4720A124	Bed channel x1 (double beds)
	4748-891	Bed channel (2666 only) x1
	1203C8721	Rivet, M25
10	4060400339F	Vinyl bed seal (sold/foot)
11	4739C2908	Screw cap
	4739-2918	Plastic washer
11A	4716-074	Screw
	1202B2528	Washer
12	4734A5141	Bed leg bracket
13	4720A2361	Rod & pal nuts



1992 Repair Parts

FLEETWOOD.

PIONEER SERIES MATTRESS ASSEMBLIES & COVERS

Model	FRONT MATTRESS		REAR MATTRESS	
	Assembly	Cover	Assembly	Cover
2666 Sedona	4724D8051	4716D8051	4724D8061	4716D8061
2685 Newport	4723L6671	4714E6461	4723L6671	4714E6461
2692 Seneca	4748-6241	4716-6241	4748-6231	4716-6231
2693 Chesapeake	4723D7861	4714D3761	4714K7381	4714E6471
2694 Arcadia	4748-6181	4716-6181	4748-6171	4716-6151

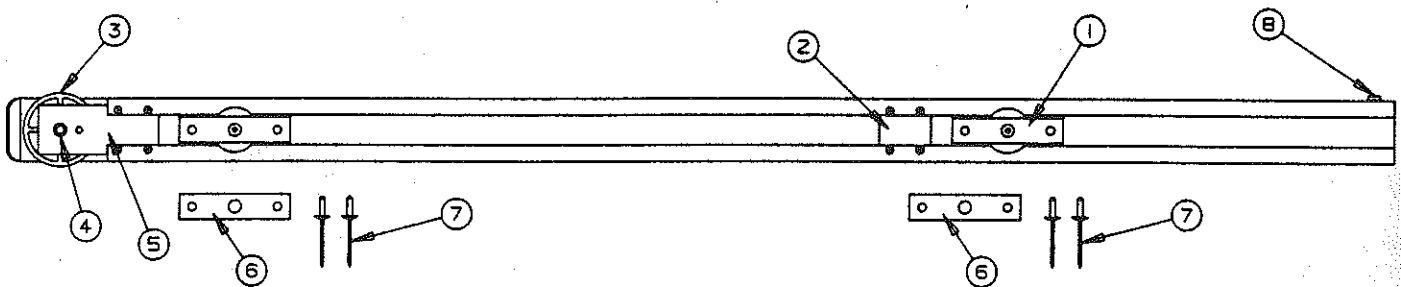
PIONEER BED EXTENSIONS

Bed Extensions for Rear Bed Assembly

Model	Curbside	Roadside
2666	4748-6601	4748-60081
2685	4739C6191	4739C6191
2692,93,94	4731B6291	4731B6291

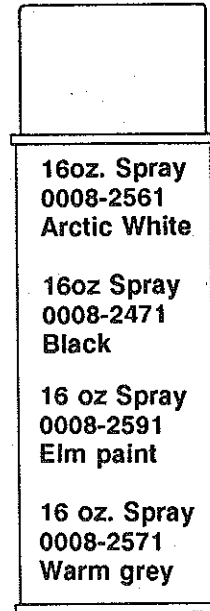
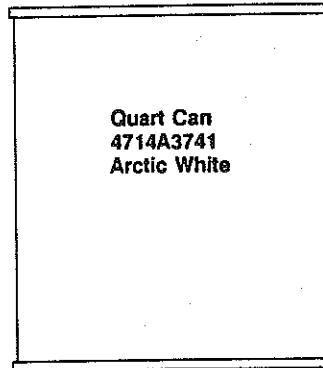
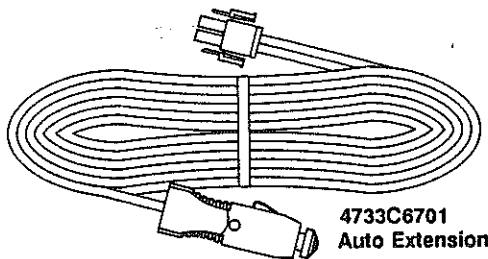
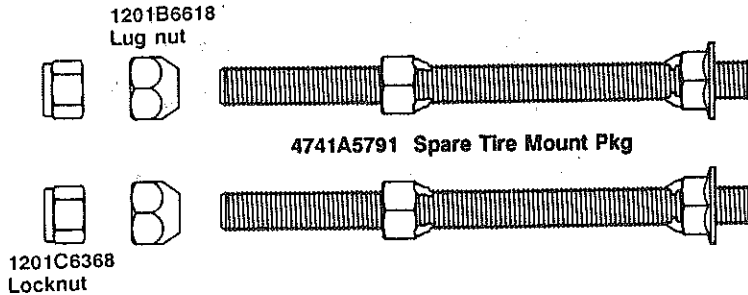
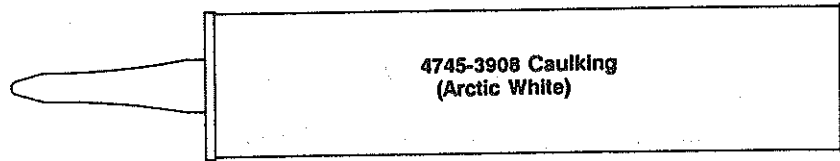
Bed Extensions for Front Bed Assembly

Model	Curbside	Roadside
2666	4737-5281	4737-52881
2685	4731B6291	4739C6191
2692,93,94	4744A56781	4733C62981



BED EXTENSIONS COMPONENT PARTS

CODE	PART NO.	DESCRIPTION
1	4720C5621	Roller assembly x2
2	4731A129	Rail stop
	4749-4578	Rivet x4
3	4720B0831	Nylon wheel
4	4731A1288	Shoulder rivet
5	4741-919	Rivet plate
	4749-4578	Rivet x4
6	4731-4711	Roller spacer x2
7	1203-8651	Rivet, M50 (extension to bed frame)
8	4733-4118	Tek screw
	1202B0268	Washer



PIONEER POP RIVETS

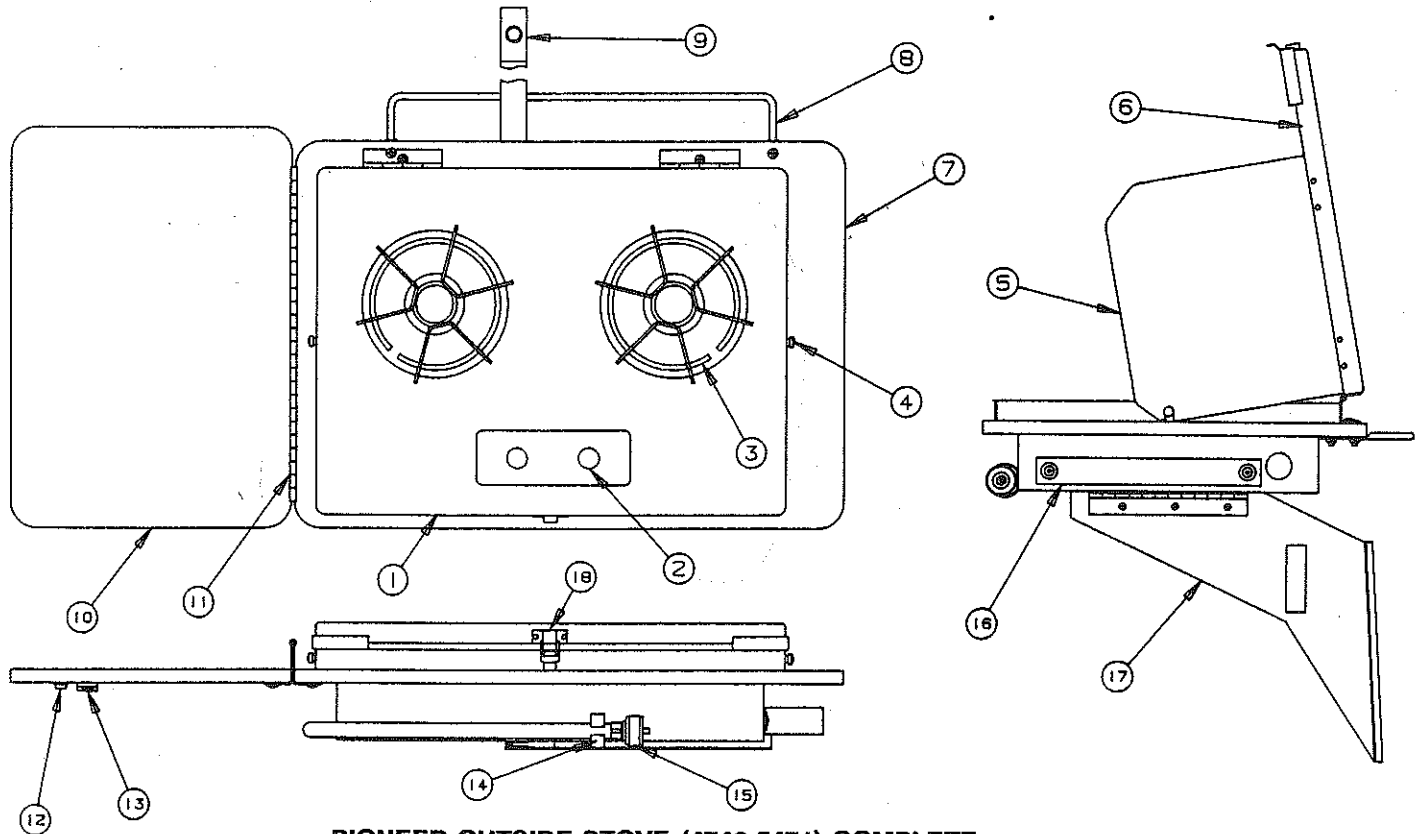
NOTE: Equivalent may be purchased locally from auto parts store.

Rivet #	Pkgd.	Head	Dia.	Length	Color	Typical Usage
1203-8558	Single	1/4	1/8	9/32	Alum.	Screen door & jamb, stove hatch door
1203-8678	Single	7/32	1/8	3/8	Alum.	Countersunk body panels, upper galley's, stoves, stove cabinet
1203-8951	M25	1/4	1/8	1/2	Black	Storage bumper, outside stove shelf
1203-8631	M50	1/4	5/32	3/8	Alum.	Screen door & jamb, top assy's, body panels
1203-8641	M50	3/8	3/16	7/16	Alum.	Rail to body panels, bed assy's, upper galley's
1203-8651	M50	3/8	3/16	5/8	Alum	Screen door jamb, bed assy's, wheel wells
1203-8978	Single	3/8	3/16	7/16	Alum.	Countersunk access door bulkhead, outside stove shelf
4733D0601	M25	3/8	3/16	7/16	Arctic White	Access door assy, liftout stoves
4733F0601	M25	3/8	3/16	7/16	Elm	Upper galley's, seat assy, cabinet assy's
4744-4611	M25	5/16	5/32	3/4	Alum.	(Expansion rivet) screen door tracks
4741C96568	Single	3/8	3/16	13/16	Warm Grey	(Expansion rivet) Top assy's
4747-2558	Single	3/8	3/16	1	Alum.	(Expansion rivet) taillights
4744B4608	Single	5/8	3/16	1	Elm	Upper galley bottoms
1203-8841	M25	5/8	3/16	1	Alum.	Bed assy's
1203-8741	M25	3/8	3/16	13/16	Alum.	Lashing hooks, bed assy's, screen doors

NOTE: This table reflects the general usage of the rivets used in our trailers. It does not include all rivets used in the parts catalog. Please refer to individual assemblies to find any specific rivet that is needed.

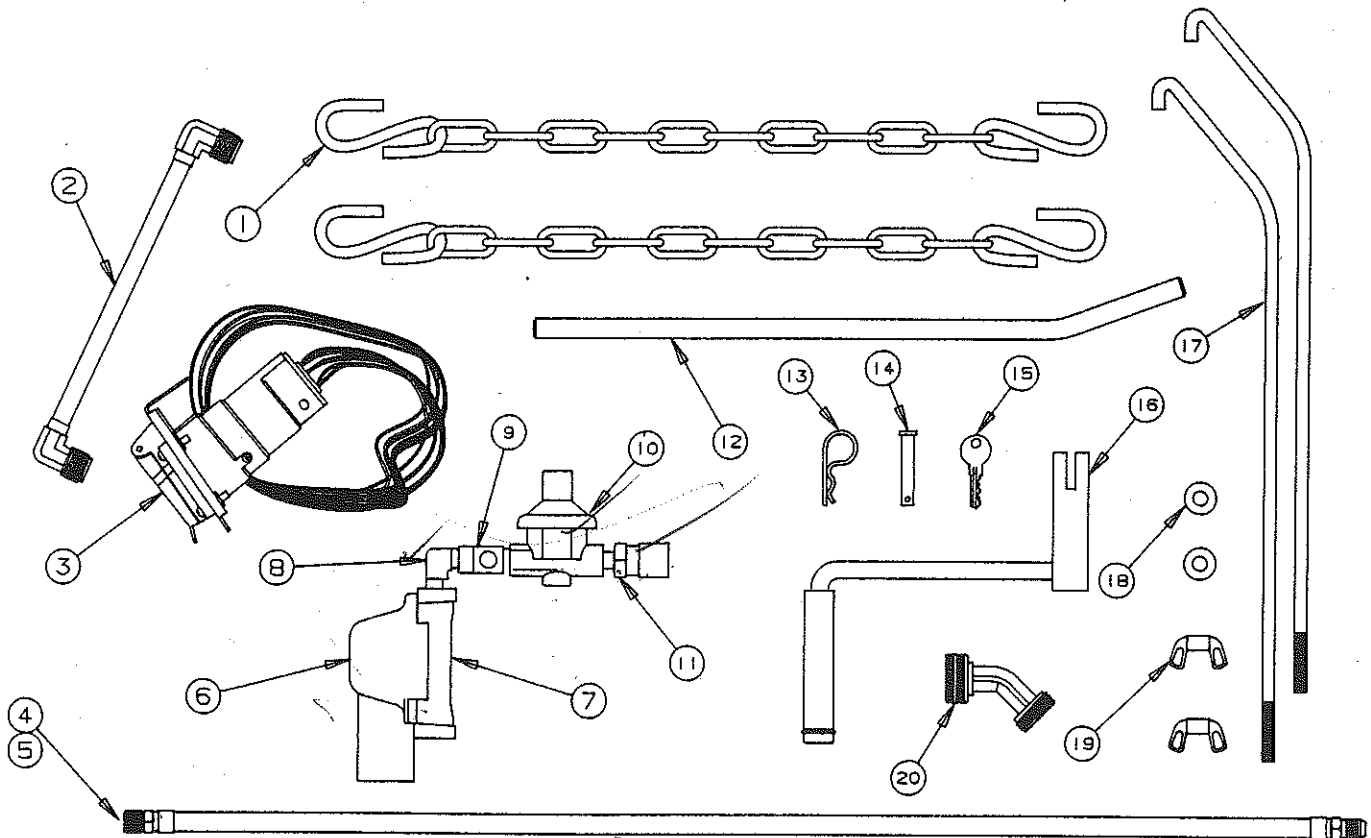
1992 Repair Parts

FLEETWOOD



PIONEER OUTSIDE STOVE (4746-5471) COMPLETE

CODE	PART NO.	DESCRIPTION
1	4746-9491	2 Burner stove top
2		(Knob not available)
3	4716-1851	Grate x2
4	4716A0881	Thumb screw x2
5	4749B99381	Stove fin x2
	4741A4401	Hinge x2
6	4749B66081	Stove cover
7	4746-9391	Outside stove top
8	4748-2591	Towel bar
	4716-056	Screw x3
	1201B6958	Nut x3
9	4746-5481	Safety strap assembly
10	4746-9401	Outside stove shelf
11	4746-9381	Hinge x1
12	4730A3548	Stud with screw
13	4747-9421	Wedge x1, M2
	4716-076	Screw x2
14	4734-2431	Gripper clip x1, M4
15	4746-9891	Gas hose
16	4742-8971	Stove strap handle
	1203-8641	Rivet x2, M25
	1202B2698	Washer
17	4746-9221	Outside stove flap (includes hinge, velcro & adhesive foam pad)
18	4733-4018	Latch x1
	4733B4028	Strike
	1203-8558	Rivet



PARTS PACKAGE (COMPLETE)

4744D6401 Parts Package 2666, 2685, 2692, 2693
 4748A5631 Parts Package 2694

PARTS PACKAGE COMPONENT PARTS:

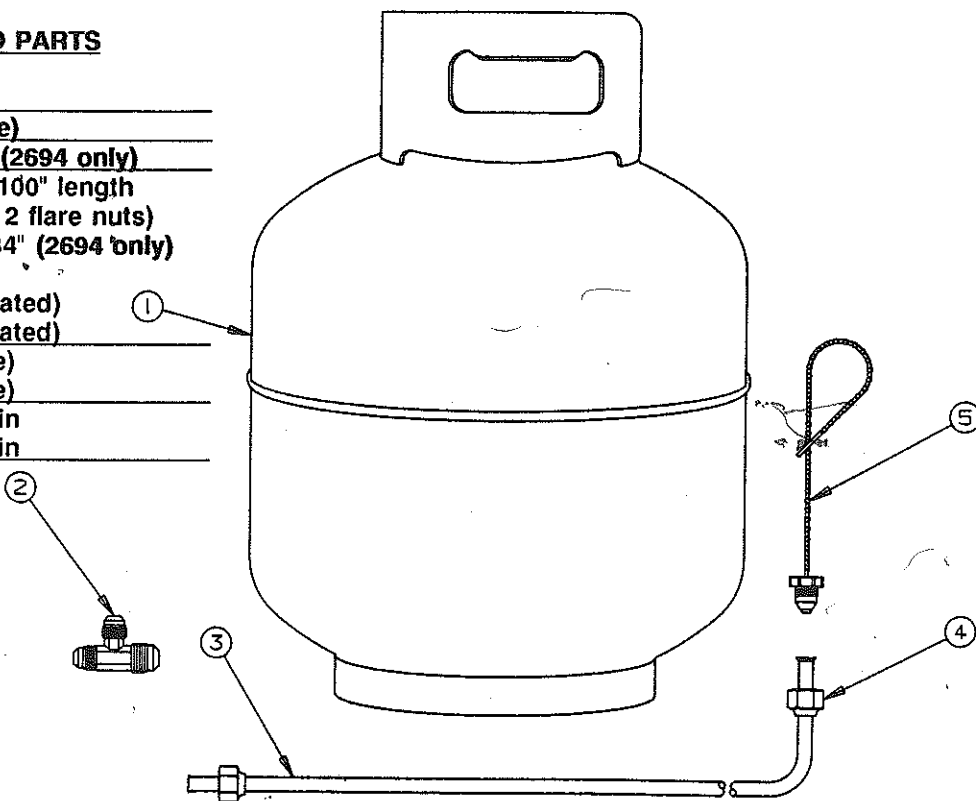
CODE	PART NO.	DESCRIPTION
1	4720D3031	Safety chain, M2 (all)
2	4746-5381	Winterizing adapter (2694 only)
3	4746-5591	Pigtail, (Bargman) (all)
4	4733A3991	Gas hose 3/8 x 3/8 x 32" (low pressure) (all except 2694)
	4737-8871	Gas hose 3/4 x 3/8 x 32" (low pressure)(2694)
5	4742-8081	Gas hose 3/8 x 1/4 x 32" (high pressure)
6	4746-4231	Regulator cover (all)
7	4742-8051	Regulator (low pressure) (all)
8	4742-8031	Brass elbow (all)
9	4739-6998	Brass tee (all)
10	4742-8041	Regulator (high pressure) (all)
11	4737-9308	POL adapter (all)
12	4749-1861	Stabilizer handle, M4 (all)
13	4732A4791	Safety pin, M10 (all)
14	4771-2631	Hitch pin, M5 (all)
15	4730A3211	Key, M10 (all)
16	4747B4141	Crank handle (all)
17	4733F6281	Gas bottle mounting bracket package (all) (includes wing nuts & washers)
18	1202B0468	Washer x2
19	1201-6258	Wing nut x2
20	4744-265	45° Gooseneck (2694 only)

1992 Repair Parts

FLEETWOOD

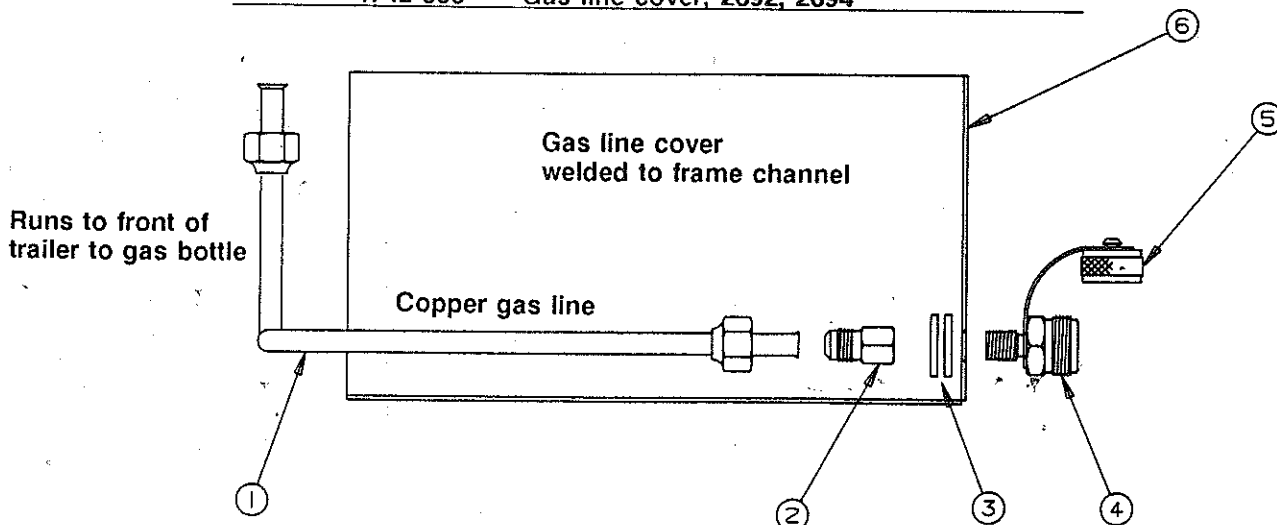
PIONEER SERIES GAS SYSTEM & RELATED PARTS

CODE	PART NO.	DESCRIPTION
1	4720J5928	Gas bottle (arctic white)
2	1215-1788	Tee 1/2 x 3/8 x 3/8 (2694 only)
3	4714-0711	3/8" Copper gas line, 100" length (includes 1 bushing & 2 flare nuts)
	4748-5846	1/2" Copper gas line 34" (2694 only) (includes 2 flare nuts)
	1201-8708	3/8" Clamp (rubber coated)
	1201-8738	1/2" Clamp (rubber coated)
4	1215-2418	Flare nut (3/8" gas line)
	1215-2438	Flare nut (1/2" gas line)
5	4733A3888	3/8" Plastic cap & chain
	4737-8388	1/2" Plastic cap & chain



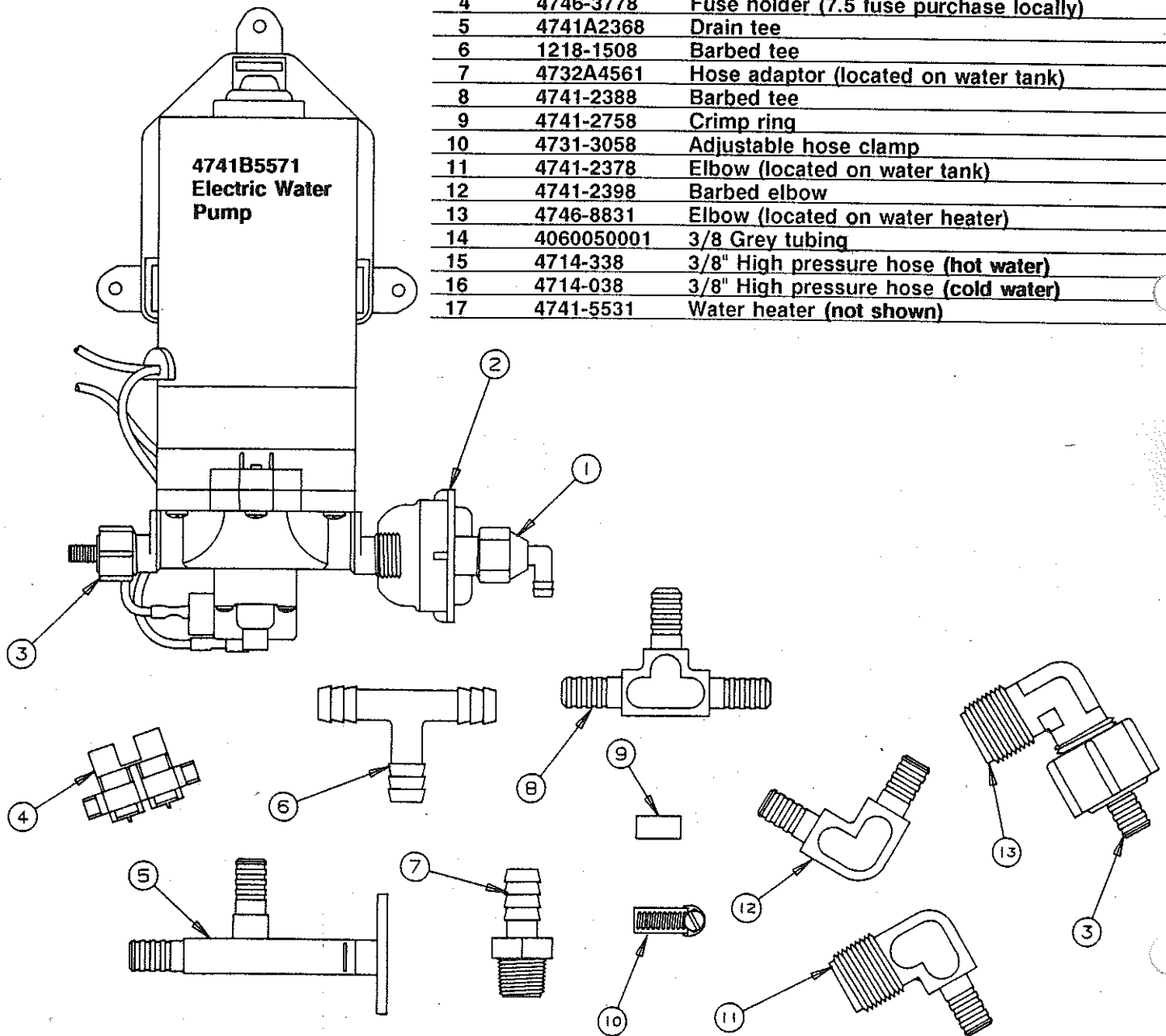
OUTSIDE STOVE GAS LINES AND COMPONENTS

CODE	PART NO.	DESCRIPTION
1	4714-0711	Copper gas line assembly, 2666, 2685 (100")
	4714-0721	Copper gas line assembly, 2692, 2693, 2694 (110") (Gas lines include 2 flare nuts)
	1215-2418	Flare nut
2	4742-8061	Female coupling
3	1202B1068	Washer x2
4	4739-6978	Cylinder adapter
5	4742-8071	Brass cap w/strap
6	4746-937	Gas line cover, 2666
	4746-9378	Gas line cover, 2689
	4742-855	Gas line cover, 2692, 2694



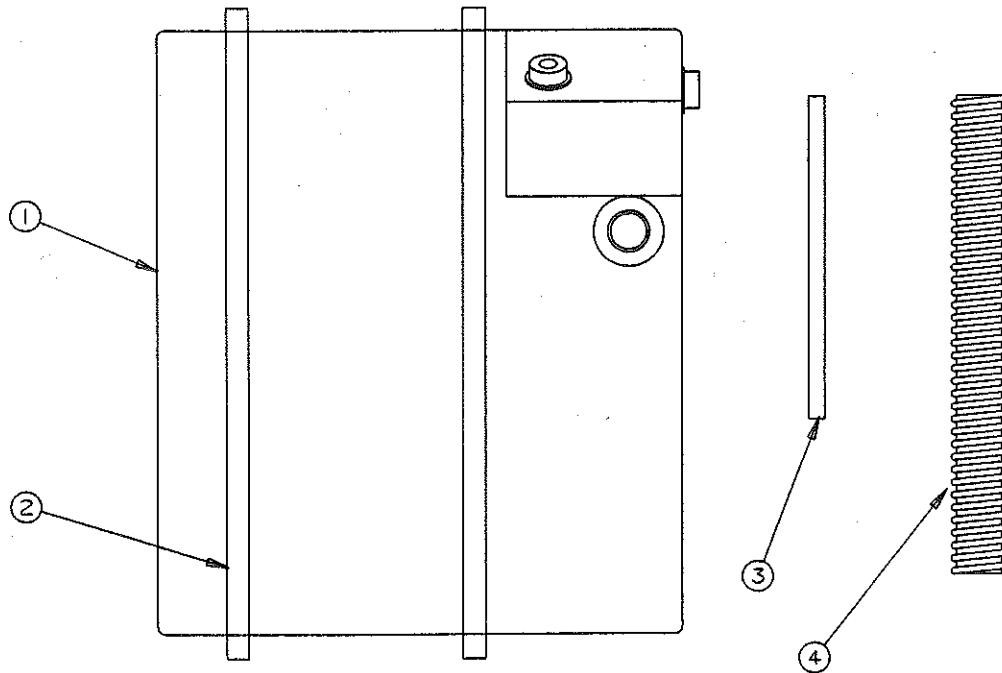
2694 ARCADIA WATER SYSTEM COMPONENT PARTS

CODE	PART NO.	DESCRIPTION
1	4741-9068	Swivel elbow
2	4747A8311	Filter
3	4716-2341	Barb, nut & seal
4	4746-3778	Fuse holder (7.5 fuse purchase locally)
5	4741A2368	Drain tee
6	1218-1508	Barbed tee
7	4732A4561	Hose adaptor (located on water tank)
8	4741-2388	Barbed tee
9	4741-2758	Crimp ring
10	4731-3058	Adjustable hose clamp
11	4741-2378	Elbow (located on water tank)
12	4741-2398	Barbed elbow
13	4746-8831	Elbow (located on water heater)
14	4060050001	3/8" Grey tubing
15	4714-338	3/8" High pressure hose (hot water)
16	4714-038	3/8" High pressure hose (cold water)
17	4741-5531	Water heater (not shown)



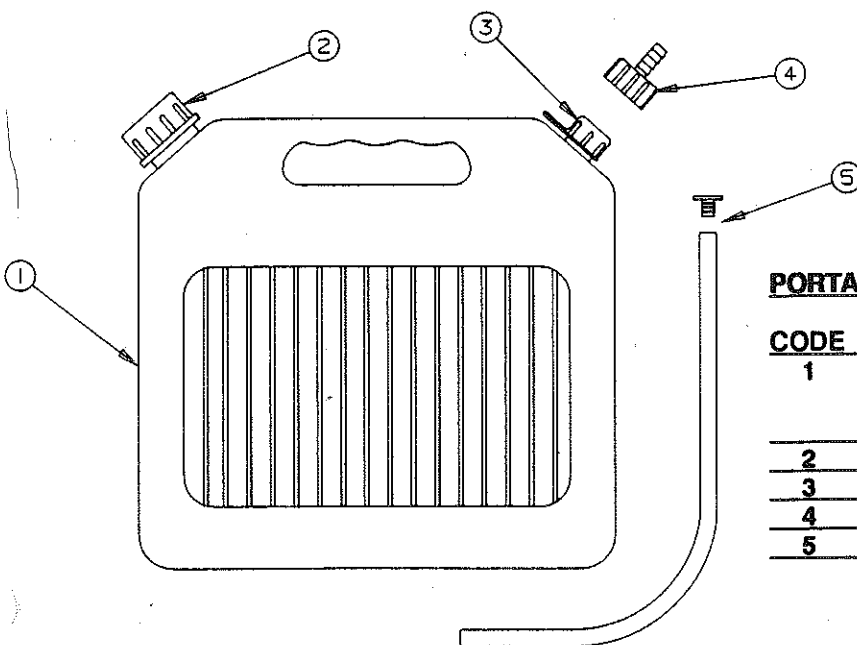
1992 Repair Parts

FLEETWOOD.



2694 ARCADIA WATER TANK & COMPONENT PARTS:

CODE	PART NO.	DESCRIPTION
1	4733G1411	Water tank (10 gal.)
2	4400075001	Strap x2 sold/foot
3	4733B1201	Vent hose (clear)
4	4731F1081	Water fill hose



PORTABLE WATER SYSTEM - (ALL EXCEPT 2694)

CODE	PART NO.	DESCRIPTION
1	4735-2131	Water tank (complete)(5 gal.)
	4735C0988	Water decal
	4748-8941	Throw-in-tank (5 gal.)
2	4714-0231	Large white cap
3	4714-0221	Small cap w/tie-on
4	4714-0241	Barb stem & collar
5	4714A0671	Suction stem



Pioneer

Series

FLEETWOOD

PIONEER SERIES TOP ASSEMBLIES (ARCTIC WHITE)

NOTE: Must order CODE 20 & 21 for Arcadia top, if necessary.

4739G6641 - Top assembly 2666, Sedona

4744E5231 - Top assembly 2685, Newport

4744E5241 - Top assembly 2692, 2693, 2694

Seneca, Chesapeake, Arcadia

CODE	PART NO.	DESCRIPTION
1	4741C1991	Top corner (right front/left rear)
	4745-3968	Screw x6 (arctic white)
	4350000058	Foam tape
2	4741C1981	Top corner (left front/right rear)
3	4728D20881	Canopy track (all) (must cut to length)
	4745-3968	Screw (arctic white)
4	4741B2319	Center seam (all) (must cut to length)
	4060000196	Vinyl screw cover
	4741-3508	Hex head screw
	4350000058	Foam tape
5	4741E21381	Top seal extrusion (front/rear) (all)
6	4715C2091	Top strike x4, M4
	4744-2468	Screw x2
	1201B6958	Nut x2
7	4741F11381	Tent support bracket x2
8	4737F5911	Dome light
	4714F0891	Dome light lens
	1103B1028	Screw x4
9	4737-3211	Rubber button x2, M8
10	4733G4711	Screen door track
	4744-4611	Rivet, M25
	1203-9258	Plastic accordion rivet
11	4749A5571	Screen door bracket
	4741C96568	Rivet x3 (warm grey)
	4749-2138	Snap button
	1203-8641	Rivet x1, M50
12	4734D5211	Screen door cable, M6
13	4730A3548	Stud w/screw x2
14	4723A5061	Safety strap x2
15	4350400003F	Vinyl tape (blue mist)
16	4741H18681	Side cove x2 (all) (must cut to length)
	4741C96568	Rivet (warm grey)
17	4741G21481	Cove, front/rear (all)
	4741C96568	Rivet
18	4741B1891	Evolution & valance track (sold/9 ft pc)
19	4741B1031	Evolution track
20	4748A4731	Shower curtain rod holder (2694 only)
21	4748A4621	Twisty fastener x2 (2694 only)
22	4741F35481	Lift cover (curbside front/roadside rear)
	4741G12881	Lift cover (roadside front/curbside rear)
	4741D3558	Hole plug x2
	4350000005F	Velcro hook (sold /yard)
23	4741B5431	Lift pocket x4
	1201B6378	Lock nut x8
24	4060000399F	Rubber top seal (sold/foot)
25	4741-8841	Retaining bracket x2
26	4741C268	Top seal sides x2, 2666
	4741D3148	Top seal sides x2, 2685
	4741D1888	Top seal sides x2, 2692, 2693, 2694
27	4746-9121	Clothes clip

Paint Arctic White
SHERMAN WILLIAMS F78 XX W 1049-4359

1992 Repair Parts

FLEETWOOD.

