

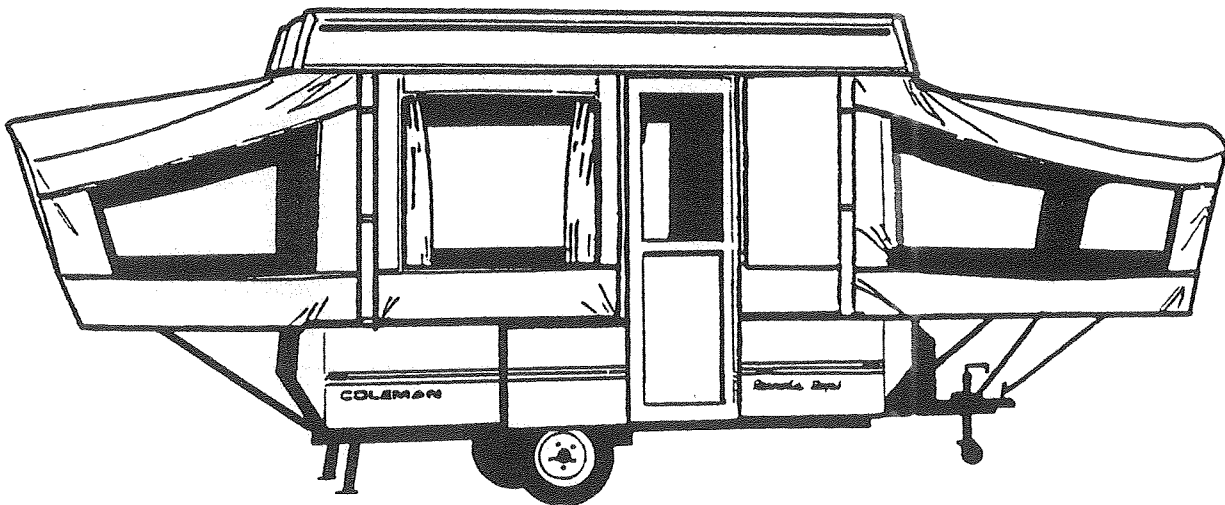
Coleman



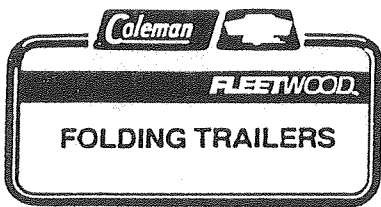
FLEETWOOD

FOLDING TRAILERS

THE
DESTINY SERIES
1991
ROANOKE
ROANOKE CD
ROANOKE ROYALE



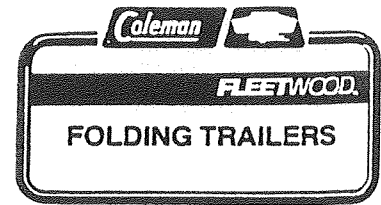
REPAIR
PARTS
LIST



DESTINY

1991

REPAIR PARTS



1991 MODELS

Model	Destiny Series
2570	Roanoke
2575	Roanoke CD
2589	Royale

B/M (Blind)	Size
4735G770	8'
4735G775	8'
4735G789	10'

Note:

Body color	Colonial White
Top color	Colonial White
Woodgrain	Classic Oak
Countertop	Gray Linen
Tent	Canvas - Grey
	Vinyl Outside - Grey
	Vinyl Inside - White

When ordering repair parts, please note:

To expedite your repair orders, please order by Fleetwood part number and the description shown in this parts catalog. If unable to find the part in this catalog, please state the model number and serial number (if known) of the trailer; describe the part; state where it is used; and, if necessary, state if on curbside, roadside, front or rear of trailer.

Symbols used in this catalog:

"x2" - Items showing "x2", etc., indicate they are used times two on the assembly. They are sold one to a package.

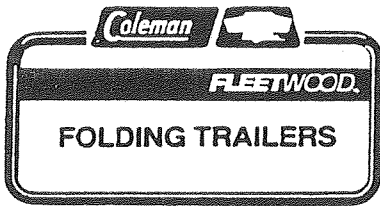
"M4" - Items marked "M4", etc., indicate they are packed four to a package and are shipped only in packages of four. They are priced per unit. When ordering, please specify the total quantity you require - not the number of packages.

Note: All seven digit numbers are not necessarily sales stock items and may take slightly longer to obtain from the factory.

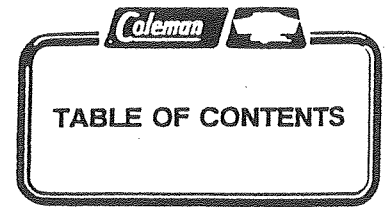
Note: Cushion/Backrest and Mattress assemblies are not a stock item. May take slightly longer to receive.

Minimum Order Requirements

Minimum order requirements for parts and/or accessories is \$25. Orders for less than \$25 will be assessed a \$5 handling charge.



DESTINY 1991 REPAIR PARTS



DESCRIPTION	PAGE NUMBER	DESCRIPTION	PAGE NUMBER
Access door assembly	12	Screen door cables	20, 37
Axle beam	6	Sealants	3
Axle assemblies	6	Seat fronts	34, 35
Backrest assembly and covers	35	Seat frame assemblies	34, 35
Bed support leg (2589, queen bed only)	14	Sink cabinet assembly (liftout, 2570)	28
Bed assembly (small)	16	Spare tire mount (bulkhead assy)	2, 3
Bed ramp, 2575 only	9	Spring attachments	6
Bed slides	15, 16	Stabilizer handle	2, 3
Bed assembly (queen)	15	Stabilizer assembly	2, 3
Body panel left side (roadside)	13	Stove, 2575, lift out stove assy	21
Body panel right front (curbside)	11	Stove & component parts, 2570	27
Body panel front assembly	8	Stove & component parts, 2589	22, 23
Body panel right rear (curbside)	10	Table assemblies & components	33
Body panel rear assembly	9	Taillights (rear body panel)	9
Bumper & component parts	9	Tent support assembly	19
Canvas assemblies	18	Thrust nut	5
Check valve	22, 23	Tire & Rim	2, 3
Converter panel assembly	33	Tongue jack assembly	2, 3
Converter	33	Top assemblies	36, 37
Cooler	3	Upper galley assembly, 2575	24, 25
Corner cabinet assy, 2589, 2570, 2575	32	Upper galley assembly, 2570	27
Coupler assembly	2, 3	Upper galley assembly, 2589	22, 23
Crank handle	2, 3	Water system, 2570	29
Curtains	19	Water bottle, portable	29
Cushion assembly and covers	35	Water pump	28, 29
Door bulkhead assy	9	Wheel well assembly	2, 17
Drain hose (used on sink assembly)	28	Whiffletree assembly	5
Electric brakes	7	Wire harness (trailer front)	2, 3
Fire extinguisher	30, 31		
Frame assembly	2		
Floor assemblies	17		
Furnaces	1		
Gas systems	8		
Grease seals (used in hub assembly)	6		
Guide channel	2, 5		
Hub assemblies	6		
Hutch assembly, 2589	31		
Hutch assembly, 2570	30		
Interior miscellaneous parts	17		
Lift assembly, left front/right rear	2, 4		
Lift assembly, right front/left rear	2, 4		
Lift trim & miter covers	19		
Lower galley assembly, 2570	27		
Lower galley assembly, 2589, 2575	26		
Mattress assemblies	14		
Paint (touch up spray)	3		
Paneling & trim	3		
Parts packages	3		
Pigtail (car end)	2, 3		
Power cord	33		
Quick disconnect (water)	29		
Receptacle box (15 AMP)	31		

HYDRO-FLAME FURNACE - 12,000 BTU

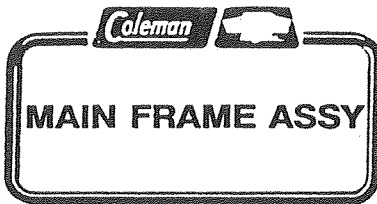
4741A6571 - HydroFlame Furnace
Vendor # HF8012DF

HYDRO-FLAME FURNACE - 20,000 BTU

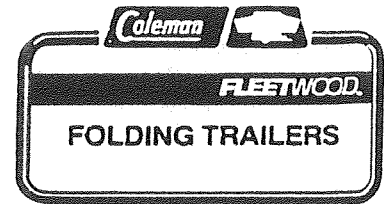
4737A9661 - HydroFlame Furnace
Vendor # FA7920DF

All warranty service and parts procurement for this item will be handled directly by:

Hydro-Flame Corporation
1874 Pioneer Road
Salt Lake City, Utah 84014
Phone: 800/825-4328

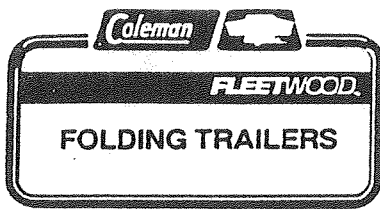


DESTINY 1991 REPAIR PARTS

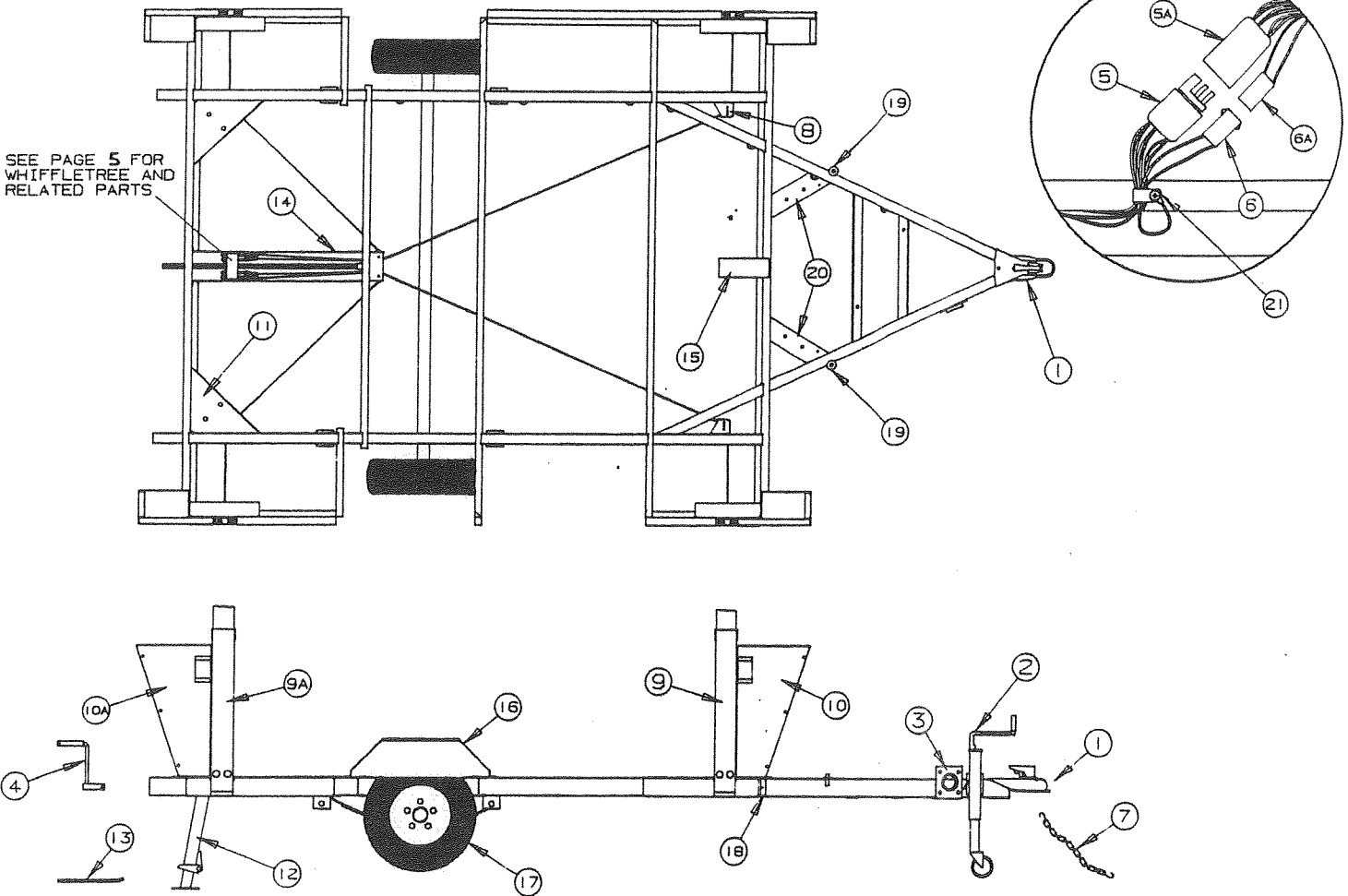
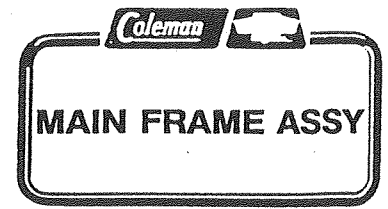


MAIN FRAME ASSEMBLY - 2570, 2575, 2589

CODE	PART NO.	DESCRIPTION
1	4730A3561	Coupler assy
	4714-2211	Coupler repair kit (release)
	4771-2631	Hitch pin, M5
	4732A4791	Safety pin, M10
2	4720B6661	Tongue jack assy
	4716-6661	Tongue jack wheel, nut & bolt
	4714-2818	Locking plunger kit
	4714-2821	Tongue jack handle kit, M2
	4720A3341	Snap ring
3	4720A3331	Jack bracket
4	4747A4141	Crank handle
5	4747-5611	Wire harness, 2570, 2575 (4 pin CT end)
	4735C6751	Wire harness, 2589 (6 pin CT end)
	4714-1991	Wire harness repair kit, M4
5A	4735C6691	Pigtail car end, 2570, 2575
	4735C6741	Pigtail car end, M4, 2589
6	4735A6871	Power harness (2 pin CT end)
	4734-2388	Wire connector
6A	4735A6721	Extension harness (car end)
7	4747-4131	Safety chain
8	4732C3678	Adjustable pulley bracket
	4720C1578	Short pin
	4715A5371	Pulley and bearing assy, M10
	1204B1081	Cotter pin, M10
9	4747-6751	Lift assy, x2 RF/LR
9A	4747-6761	Lift assy, x2 LF/RR
	4738A0898	Hex head bolt (mount lift to frame)
Note: Refer to Page 4 for the component part of the lift assembly		
10	4747-550	Corner bulkhead assy x2, RF/LF
10A	4747-551	Corner bulkhead assy x2, LF/RR
11	4749-586	Corner gusset assy x2
12	4720D0731	Stabilizer assy, 2570, 2575 x2, 2589 x4
	4714-0261	Foot and spring assy
	4739-2298	Nut (stabilizer assy to gusset)
	4749-1861	Stabilizer handle, M4
13	4720D2371	Guide channel
	4731-3878	Hex head bolt
	1201B6038	Hex nut
14	4747-510	Spare tire mount bulkhead assy
	4731-3878	Hex bolt x2
	1201B6038	Hex nut x2
15	4747A4161	Wheel well x2
	4741A3988	Tire & rim 8", Goodyear, 2570, 2575
	4747-4838	Tire & rim 12", Goodyear, 2589
16	4747A9528	Lug nut (all)
	4747-990	Frame cap x2
17	4744-050	Hex head screw x2
18	4747-8941	Pin cover x2, M2
19	4749A414	Stabilizer plate (2589 only)
	1200B3048	Bolt x2
20	1201-8738	Clamp x1
	4744-050	Hex head screw



DESTINY 1991 REPAIR PARTS



PARTS PACKAGES

- 4747-5871 Parts package, 2570, 2575
- 4716-5871 Parts package, 2589

OTHER PACKAGES

- 4747-5891 Spare tire mount (Destiny Series)

TOUCH-UP PAINT

16 oz. Spray	Quart Can	Color
0008-2471	None	Black
0008A2441	4714-3741	Col White
4716-0871	Colonial White w/Brush 2 oz (Touch Up Paint)	

SEALANTS

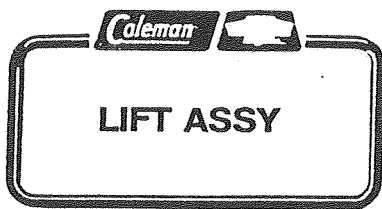
- 4714-2171 Dry clean pad, M5
- 4737B2838 Colonial white caulking

DESTINY SERIES COOLER

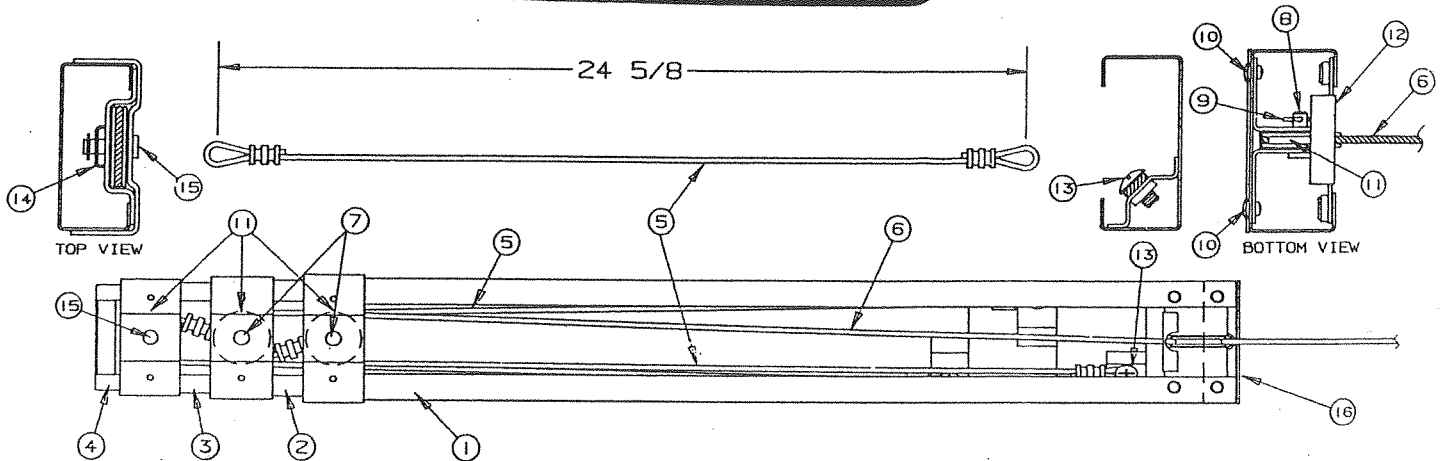
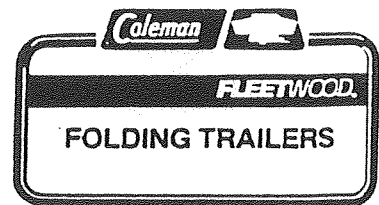
- 5283A806 Lapis Blue, 40 qt. - 2570, 2575
- 5248A866 Lapis Blue, 48 qt. - 2589

PANELING AND TRIM

- 4714D4501 Universal wall panel (48" x 18 1/8") Classic Oak
- 4714C2911 Corner divider (17 5/8" lengths) M5
- 4714C2921 Panel divider (17 5/8" lengths) M5
- 4714C2931 Toe molding (48" lengths) M2



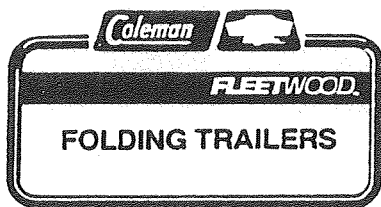
DESTINY 1991 REPAIR PARTS



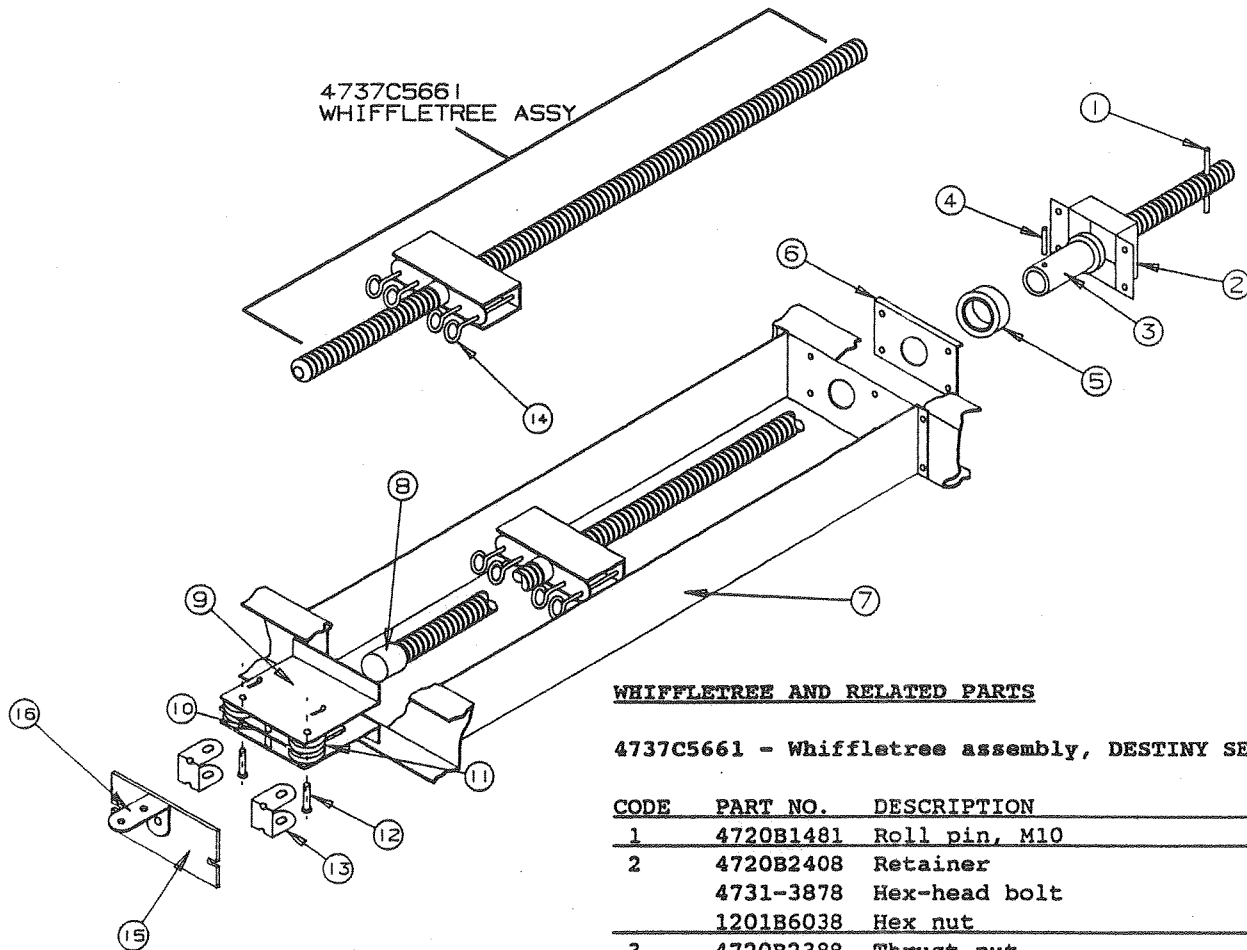
LIFT ASSEMBLIES

- 4747-6761 - Lift assembly
Left Front/Right Rear
- 4747-6751 - Lift assembly
Right Front/Left Rear

CODE	PART NO.	DESCRIPTION
1	4720H5151	Stationary lift assy
2	4720F5161	Bottom lift assy (4747-6751)
	4739B6751	Bottom lift assy (4747-6761)
3	4720E5171	Center lift assy (4747-6751)
	4739B6731	Center lift assy (4747-6761)
4	4720E5181	Top lift assy (4747-6751)
	4739B6741	Top lift assy (4747-6761)
5	4720C5271	Cable assy x2, M2 (all) 24 5/8" long
	4720C1691	Steel cable crimp, M20
6	4747-6741	Stainless steel cable assy x1 (156" long, M2)
	4744-1318	Stainless steel cable crimp
7	4747-8931	Long pin, x2 (only)
	4730B0981	Retaining ring (only), M12
8	4720C1578	Lift pin x1
9	1204B1081	Cotter pin, M10
10	1203-8641	Rivet x4, M50
11	4715A5371	Steel pulley & bearing x4, M10
12	4731C5801	Butterfly bracket assy
13	4749-2081	Bolt, 1/4 - 20 x 1/2", (x3), M6
14	4749A2028	Retaining clip x2
15	4749-4061	Pin short x1
	4730B0981	Retaining ring (only), M12
16	4747-0321	Lift cover bottom x1
	1203-8641	Rivet x2, M50



DESTINY 1991 REPAIR PARTS



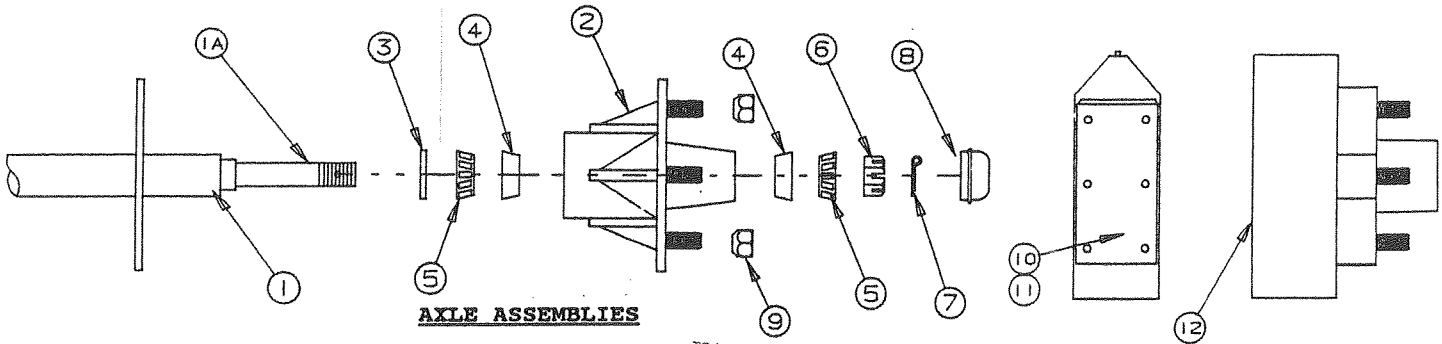
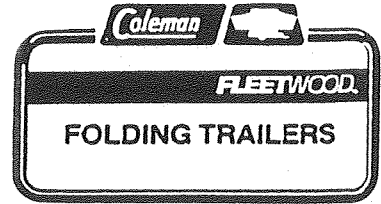
WHIFFLETREE AND RELATED PARTS

4737C5661 - Whiffletree assembly, DESTINY SERIES

CODE	PART NO.	DESCRIPTION
1	4720B1481	Roll pin, M10
2	4720B2408	Retainer
	4731-3878	Hex-head bolt
	1201B6038	Hex nut
3	4720B2388	Thrust nut
4	4744A1301	Shear pin, M10
5	4720A2421	Bearing
6	4720B2418	Plate
7	4720D2371	Guide channel
	4731-3878	Hex bolt
	1201B6038	Hex nut
8	4730D129	Screw socket x1
9	4720-155	Pulley plate x2
10	4715C5661	Pulley spacer
11	4715A5371	Pulley and bearing, M10
12	4720H1561	Long pin, M5
13	4744A1748	Cable retainer
14	4744-4451	Screw eye, M4
	1201B6078	5/16 - 18 Locknut x8
15	4749A8211	Mud flap & bracket pkg.
	4737-8478	Screw x2
16	4734-385	Bracket x1
	4737-8478	Screw x3



DESTINY 1991 REPAIR PARTS



AXLE ASSEMBLIES

"Fleetwood" will use 4714A2201 grease seal.
 "Dexter" will use 4714-2288 grease seal.

The 4741D6251 replacement beam assembly is a
 "Fleetwood" and will use 4714A2201 grease seal.

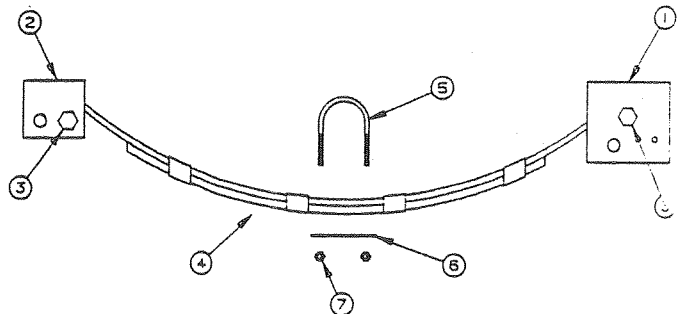
CODE	PART NO.	DESCRIPTION
1	4741D6251	Axle beam (includes spindle) 2,000 pound capacity
1A	4741B849	Spindle
2	4738D0451	Hub assy, 5 hole with studs
3	4714A2201	Grease seal, M4
4	4716-1101	Bearing and race pkg
5	4716-1101	Bearing and race pkg
6	4714-3068	Spindle nut, slotted x2
7	1204-1268	Cotter pin
8	4714-0621	Grease cap, M4
9	4747A9528	Lug nut x5 (all)
10	4733A3521	Righthand electric brake assy, 7"
11	4733A3531	Lefthand electric brake assy, 7"
12	4716A1071	Hub & drum assy (complete)

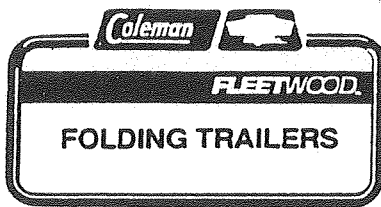
Note: Refer to page 7 for the component parts of
 the electric brake assemblies.

Axle Assembly Complete (Special Order Only)
 4741D630 Axle - 2570, 2575, 2589

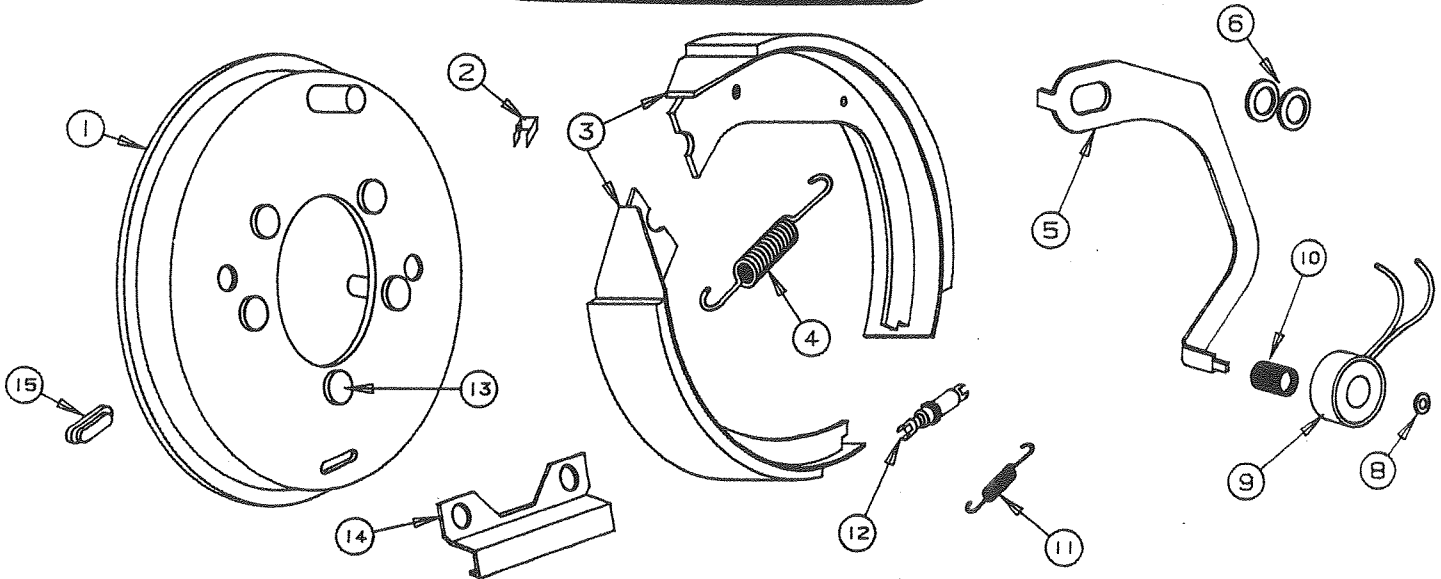
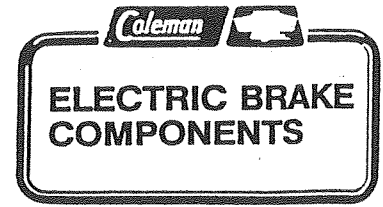
SPRING ATTACHMENTS

CODE	PART NO.	DESCRIPTION
1	4741B3398	Front spring shackle
2	4741A3398	Rear spring shackle
3	4737A1318	Shackle bolt
	4741-9498	Shackle bolt nut
4	4741B3381	Leaf spring, 2 leaf 750#, 2570 2575
	4735C2201	Leaf spring, 3 leaf 1000#, 2589
5	4741A8438	"U" bolt
6	4741-8458	"U" bolt plate
7	4741-9358	"U" bolt nut





DESTINY 1991 REPAIR PARTS



ELECTRIC BRAKE PACKAGE (COMPLETE) ROANOKE ROYALE ONLY

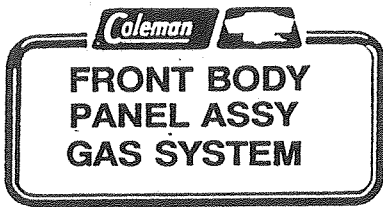
4714H2011 for 1 1/16" diameter straight spindle - 5 hole lug nut

Item	Fleetwood Part No.	Dexter Part No.	Qty/ Brake	Description
1	Note	36-36-4	1	Backing plate assy
2	Note	46-23	2	Shoe hold-down spring
3	4714B2071	40-125	1	Primary shoe and lining assy and
		40-49	1	Secondary shoe and lining assy
4	4714A2411	46-24	1	Retractor spring
5	4714-2841	47-30-4	1	RH actuating lever arm and
		47-29-4	1	LH actuating lever arm
6	4714A2461	46-30	2	Anchor post clip, M2
7	Note	27-5	1	Wire clip (not shown)
8	4714A2471	46-39	1	Magnet retainer clip, M2
9	4714C2451	42-44	1	Magnet assy kit; includes 1 magnet, 1 spring and 1 retainer clip
10	4714A2421	46-25	1	Magnet housing spring
11	4714A2101	46-22	1	Adjustable screw spring
12	4714A2041	43-11	1	Adjusting screw
13	Note	7-41	4	Backing plate bolt
14	Note	64-1	1	Stabilizer bracket
15	Note	46-7	1	Plug

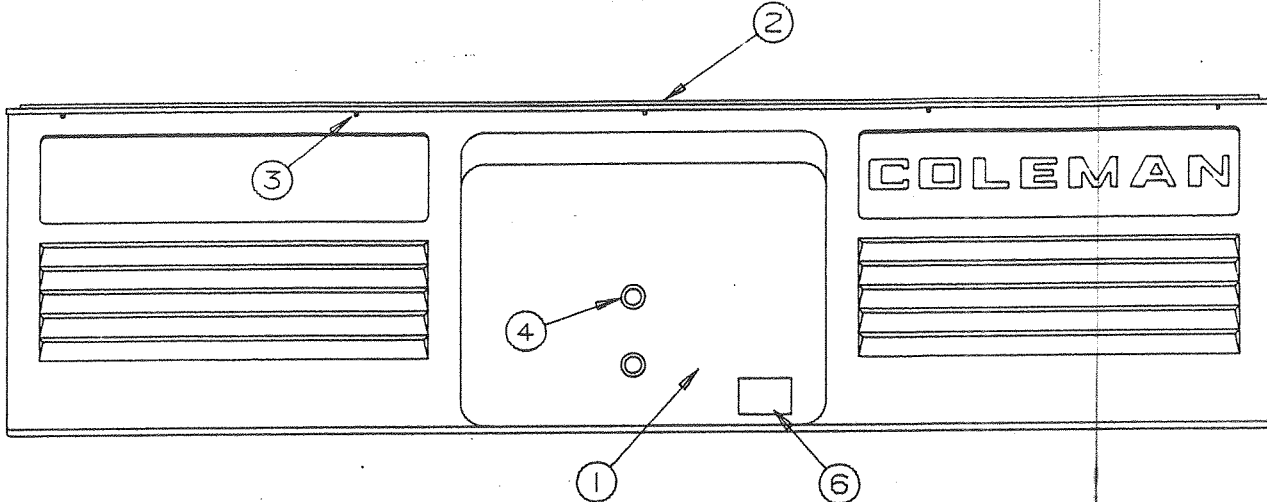
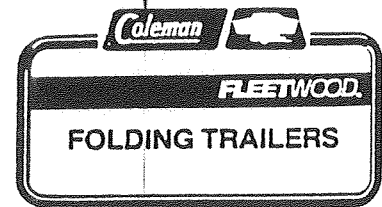
4733A3521 23-48 RH complete brake assy only
 4733A3531 23-47 LH complete brake assy only

NOTE: Must be ordered through Dexter.
 When ordering with Dexter please
 supply their vendor number.

Phillips Industries/Dexter Axle Division
 1-219-295-1900 Customer Service Department



DESTINY 1991 REPAIR PARTS



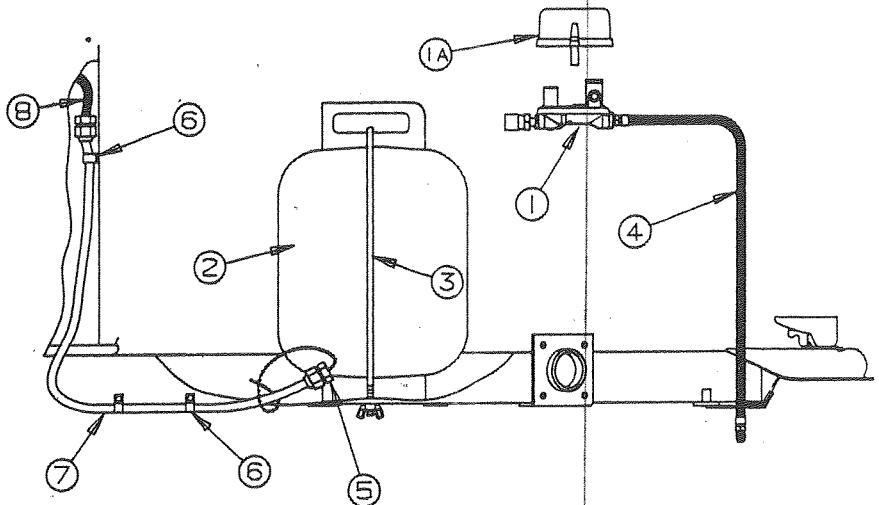
**DESTINY SERIES FRONT BODY
PANEL ASSEMBLY COMPONENTS**

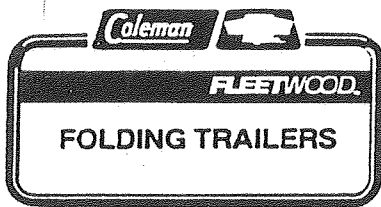
CODE	PART NO.	DESCRIPTION
1	4747A4531	Front body panel 2570, 2575, 2589
2	4747A080	End rail (front), 2570, 2575
	4747A0808	End rail (front), 2589
	1203-8651	Rivet x1, M50
3	4716B9658	Expansion rivet x4,
4	4744A8598	Hole plug x2
5	4716-063	Screw x5 (used to screw panel to bottom of floor assembly)
6	4730J2138	Gas piping decal

Note: Item 5 not shown in drawing.

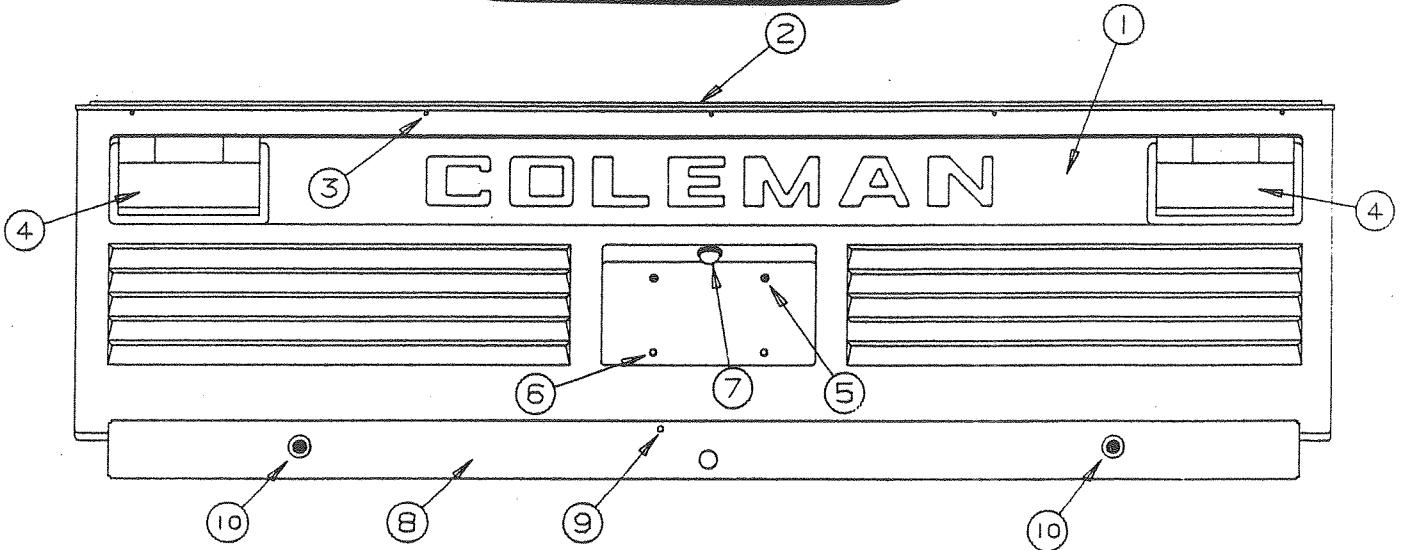
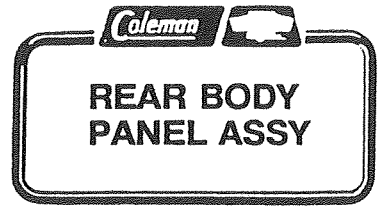
GAS SYSTEMS - 2570, 2575, 2589

CODE	PART NO.	DESCRIPTION
1	4739A1291	Regulator
1A	4734B3781	Regulator cover
2	4720H5928	Gas bottle
3	4733F6281	Gas bottle mtg kit
4	4733A3991	Flexible gas hose 1/4" I.D. - 32" long
5	4733A3888	Plastic cap w/chain
6	1201-8708	3/8" Tube clamp, rubber-coated, x2
	4733-0601	Rivet x1, M25
	4737-8488	Screw x2
7	4714-0711	3/8" O.D. Copper gas line, 100" length (includes 1 bushing and 2 flare nuts)
	1215-2418	Flared nut
	4747-627	Ground clamp assy
8	4730A3431	Flexible gas hose 1/4" - 32" long





DESTINY 1991 REPAIR PARTS

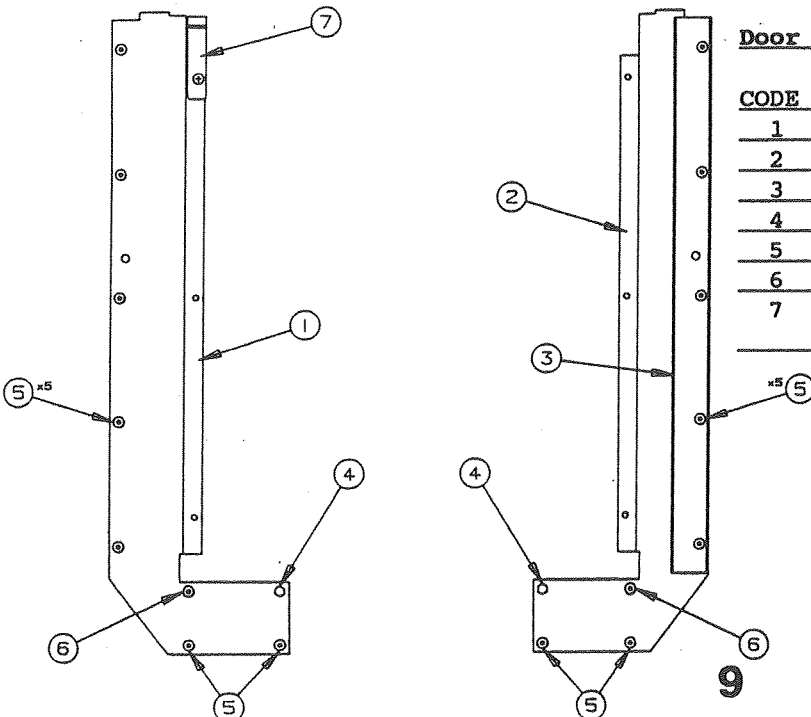


**DESTINY SERIES REAR BODY
PANEL ASSEMBLY COMPONENTS**

CODE	PART NO.	DESCRIPTION
1	4747A4641	Rear body panel, 2570, 2575, 2589
2	4747A079	End rail (rear)
3	4716B9658	Expansion rivet x5, Colonial white
4	4743A1321	Taillight x2
	4716-1061	Taillight lens
	4714-8111	Light bulb (single filament)
	4714-8121	Light bulb (double filament)
	4747-2558	Expansion rivet x4
	4734-2388	Wire connector
5	4732-1181	Plastic grommet, x2, M4
	4716-063	Screw x2
6	4737A0728	Rubber bumper x2
7	4739B4311	License plate light x1
8	4749-389	Bumper
9	4747-4721	Safety latch pin x1
	4747-4251	Spring x1
	4710-3621	Roll pin x1, M10
10	1032B2428	Bolt x2
	1202B0468	Washer x6
	1202B1068	Washer x2
	1201B6068	Nut x2
11	1178B1618	Bolt x4 (used to hold bumper to not shown frame)

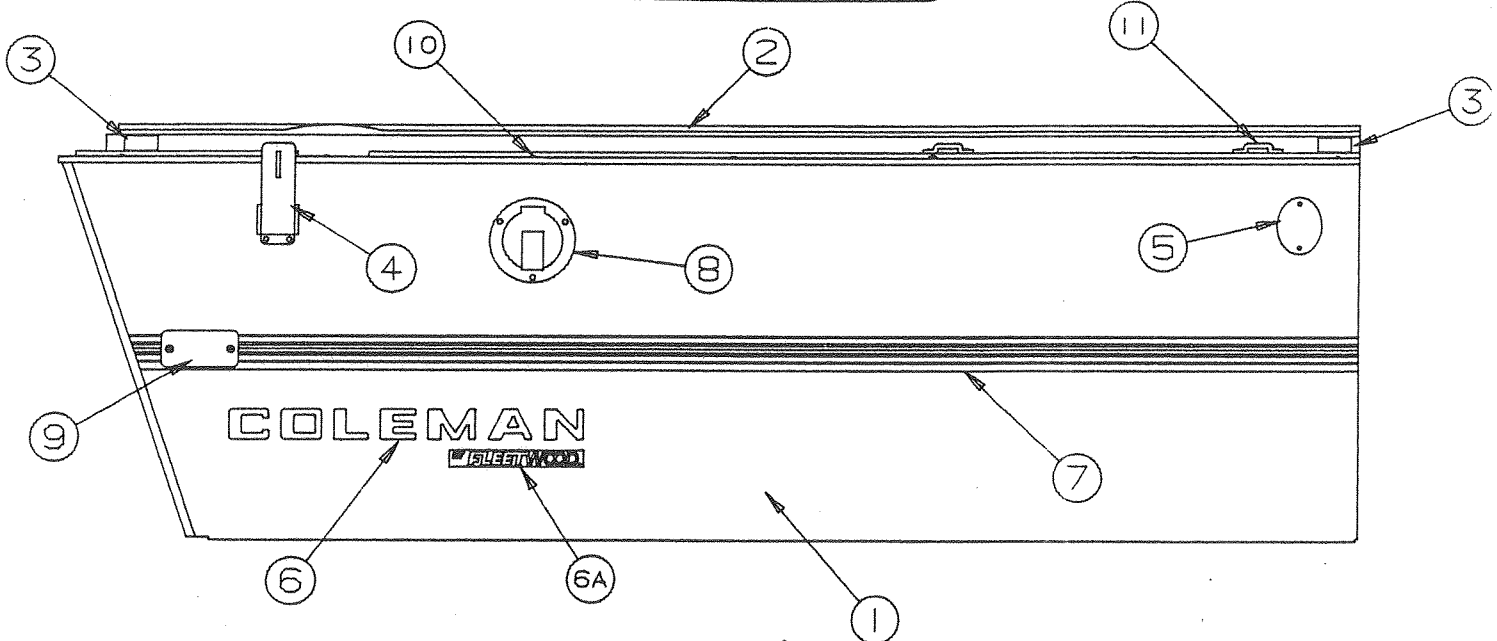
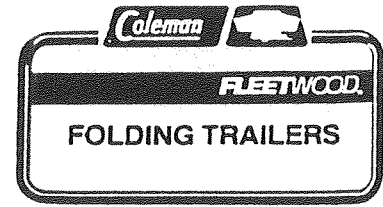
Door Bulkhead Assemblies

CODE	PART NO.	DESCRIPTION
1	4747-010	Door bulkhead rear
2	4747-009	Door bulkhead front
3	4749-388	Bulkhead angle
4	4744-050	Hex head tek screw
5	4733C0601	Rivet, colonial white, M25
6	1203-8978	Countersunk rivet
7	4748-411	Bed ramp, 2575 only
	4737-8488	Screw x1



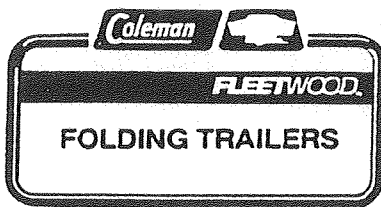


DESTINY 1991 REPAIR PARTS

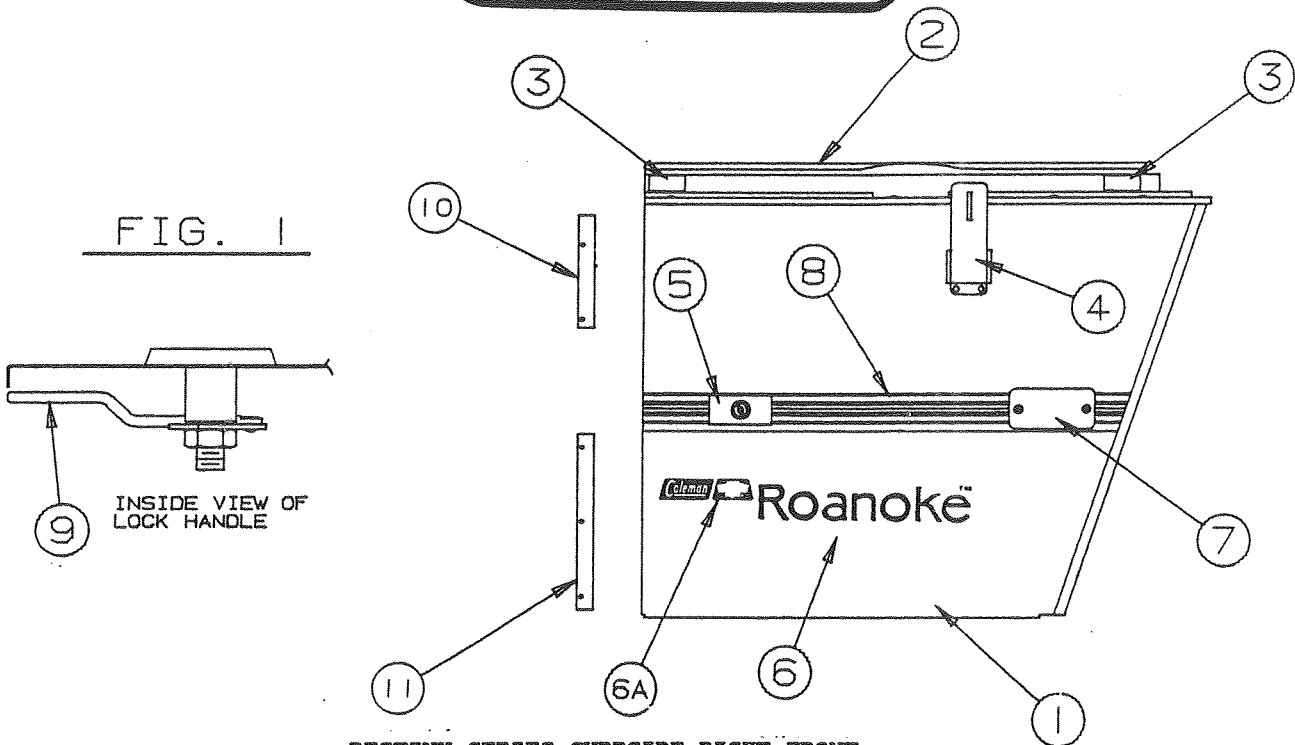
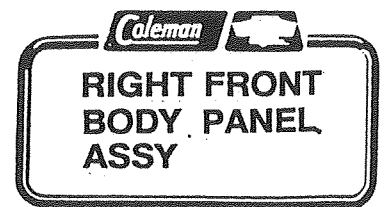


**DESTINY SERIES CURBSIDE RIGHT REAR
BODY PANEL ASSEMBLY COMPONENTS**

CODE	PART NO.	DESCRIPTION
1	4747-0431	Body panel, 2570
	4749-9751	Body panel, 2575
	4747-9691	Body panel, 2589
2	4747A057	Body rail, 2570
	4749-976	Body rail, 2575
	4747-972	Body rail, 2589
	1203-8641	Rivet x5, M50
3	4723B8071	Velcro hook 2"x2" adhesive backed
4	4741B6041	Top latch w/o lock
	4749-484	Foam pad x1
	4741-8218	Screw x4
5	4733-2818	RVIA Tag
	1203-8678	Rivet x2
6	4745B1908	Coleman logo
6A	4749A8708	Fleetwood decal
7	4716-515	Trim tape (5 ft required)
8	4733-2331	Cable hatch (water line) 2570, 2575
	4741-9108	Screw x3
9	4714E0851	Red lens & base
	4733G1311	Socket & harness
	4714-3701	Bulb (#194), M4
	4741B9368	Screw x2
10	1203-8741	Rivet x1, M25
	0322A3308	Washer (brass) x1
11	4733-4511	Steel loop x2 (2575 only)
	1203-8978	Countersunk rivet x4

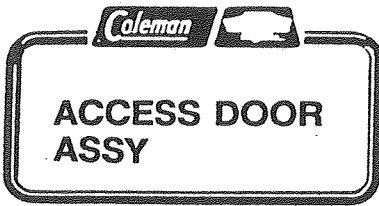


DESTINY 1991 REPAIR PARTS

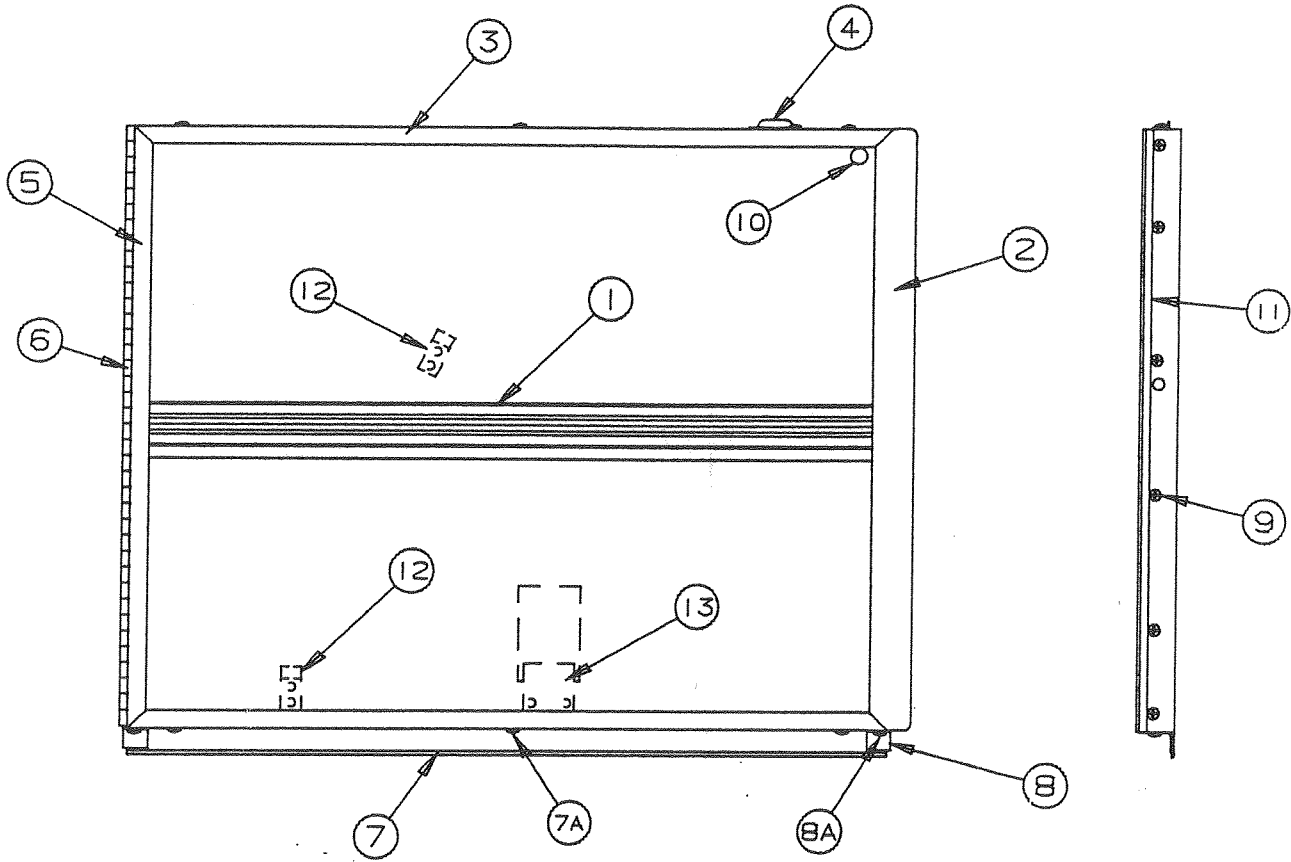
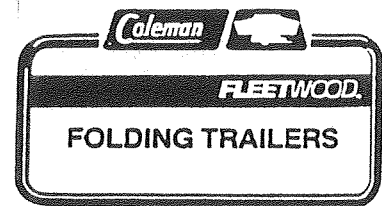


**DESTINY SERIES CURBSIDE RIGHT FRONT
BODY PANEL ASSEMBLY COMPONENTS**

CODE	PART NO.	DESCRIPTION
1	4747A0441	Body panel, 2570, 2575
	4747A9681	Body panel, 2589
2	4747A056	Body rail, 2570, 2575
	4747-971	Body rail, 2589
	1203-8641	Rivet x5, M50
3	4723B8071	Velcro hook 2"x2" adhesive backed
4	4741B6041	Top latch w/o lock
	4749-484	Foam pad x1
	4741-8218	Screw x4
	5	4730B3111
5	4716-056	Screw x2
	1201B6958	Kepsnut x2
	4730A3211	Lock handle key x1, M10
	6	4747A4108
4749-4438		Royal name decal, 2589 only
4749-3198		CD decal, 2575 only
6A	4749-9408	Coleman logo w/camper
7	4714E0841	Amber lens & base
	4733G1311	Socket & harness
	4714-3701	Bulb (#194) M4
	4741B9368	Screw x2
8	4716-515	Trim tape (3 foot required)
9	4747-3501	Latch strike & lever
10	4749-841	Backing plate (small)
11	4749-842	Backing plate (large)



DESTINY 1991 REPAIR PARTS



ACCESS DOOR ASSEMBLY

4747A5291 2570, 2575, 2589 DESTINY SERIES

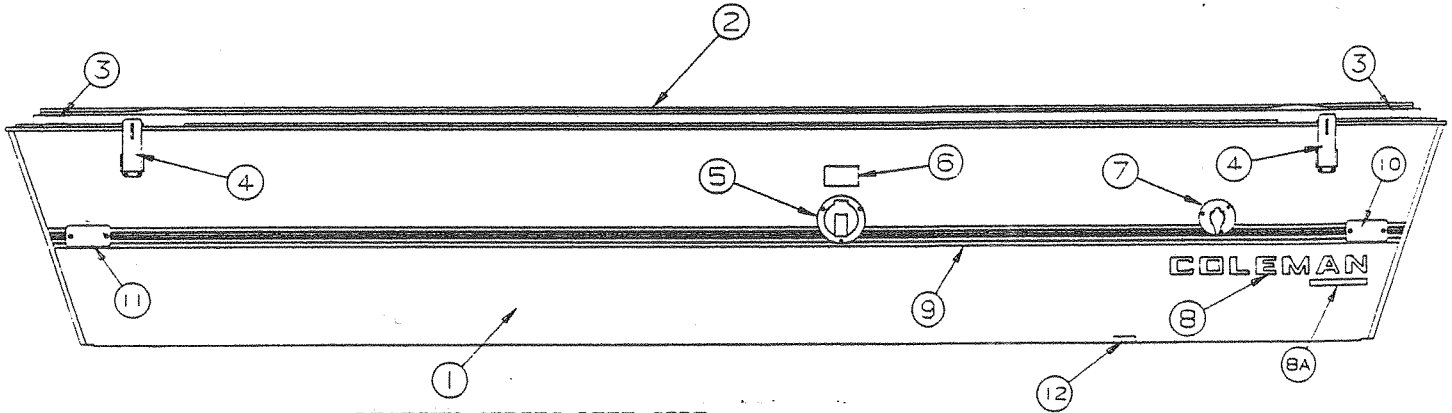
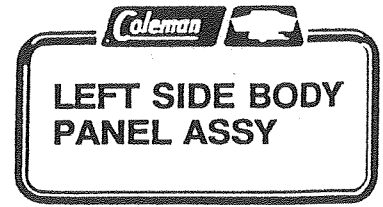
(When ordering 2575 Access Door Assembly Code 12, 13 must be ordered or remove parts from old access door assembly.)

CODE	PART NO.	DESCRIPTION
1	4716-515	Trim tape 2'
2	4747-3601	Door frame side x1
3	4747B357	Access door cap x1
	4749-982	Access door cap (2575)
4	4747A3681	Door latch x1 (washer & rivet included)
	4747-4718	Washer x1 (goes between latch and door cap)
	1203C8751	Rivet x1, M25

CODE	PART NO.	DESCRIPTION
5	4747-359	Door frame side x1
6	4747-3621	Door hinge
	1107E1012	Screw x6
	4733C0601	Rivet x6, M25 (rivet hinge to bulkhead)
7	4747A361	Door frame bottom
7A	1103E1018	Screw x3
8	4749-495	Clip x2
8A	4733-4118	Screw x2
9	1114B1018	Screw x6
10	4737-3211	Rubber button, M8
11	4350000022	Foam tape
12	4720A0721	Cooler clip x2, M2 (2575 only)
	4741B9368	Screw, colonial white x4
13	4749-9941	Door bracket, x1 2575 only
	4741B9368	Screw, colonial white x2
	4350000024	Abrasion resistant tape 3"x2"

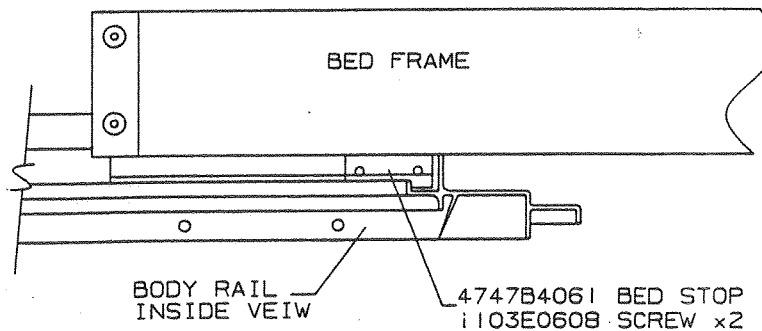


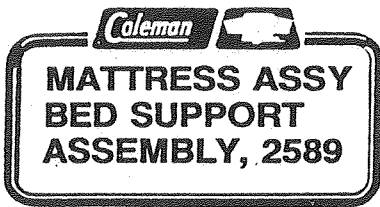
DESTINY 1991 REPAIR PARTS



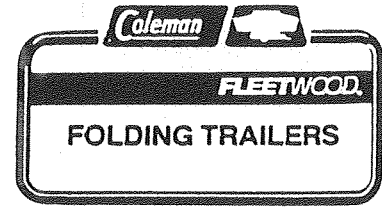
**DESTINY SERIES LEFT SIDE
BODY PANEL ASSEMBLY COMPONENTS**

CODE	PART NO.	DESCRIPTION
1	4747-0451	Body panel, 2570
	4749-9801	Body panel, 2575
	4747-9701	Body panel, 2589
2	4747-058	Body rail, 2570, 2575
	4747-973	Body rail, 2589
	1203-8641	Rivet x12, M50 (rail to panel)
	1204-0408	Snap bushing x1
3	4723B8071	Velcro hook 2"x2" adhesive backed
4	4741B6041	Top latch w/o lock x2
	4749-484	Foam pad x1
	4741-8218	Screw x4
5	4733-2331	Cable hatch
	4741-9108	Screw x3
6	4745A9948	30 AMP decal
	4732E1521	City fill
7	4741-9568	Female adaptor
	4741-9108	Screw x3
	4745B1908	Coleman logo
8A	4749A8708	Fleetwood decal
9	4716-515	Trim tape (10 ft required)
10	4714E0851	Red lens & base
	4733G1311	Socket & harness
	4714-3701	Bulb (#194), M4
	4741B9368	Screw x2
11	4714E0841	Amber lens & base
	(See Code 10 for component parts)	
12	4744B2668	Drain decal





DESTINY 1991 REPAIR PARTS

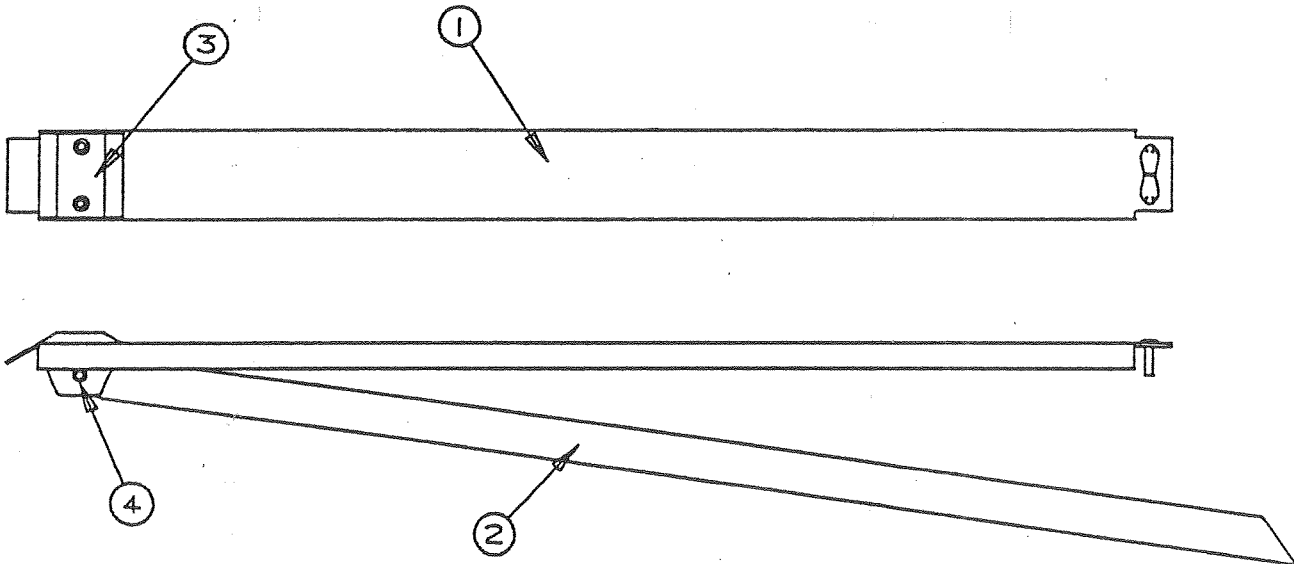


MATTRESS ASSEMBLIES

Destiny Series	FRONT		REAR	
	Assembly	Cover	Assembly	Cover
2570 Roanoke	4724-8351	4716-8351	4724-8351	4716-8351
2575 Roanoke CD	4724-8351	4716-8351	4724-8351	4716-8351
2589 Royale	4747B6691	4716B6691	4749A6361	4716A6361

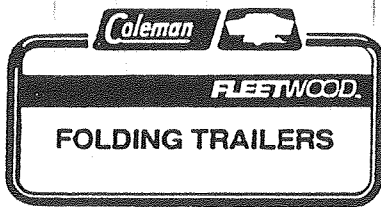
REFERENCE DIMENSIONS

Destiny Series	Front	Rear
2570 Roanoke	71 x 47 x 3	71 x 47 x 3
2575 Roanoke CD	71 x 47 x 3	71 x 47 x 3
2589 Royale	72 x 72 x 3	71 x 47 x 3

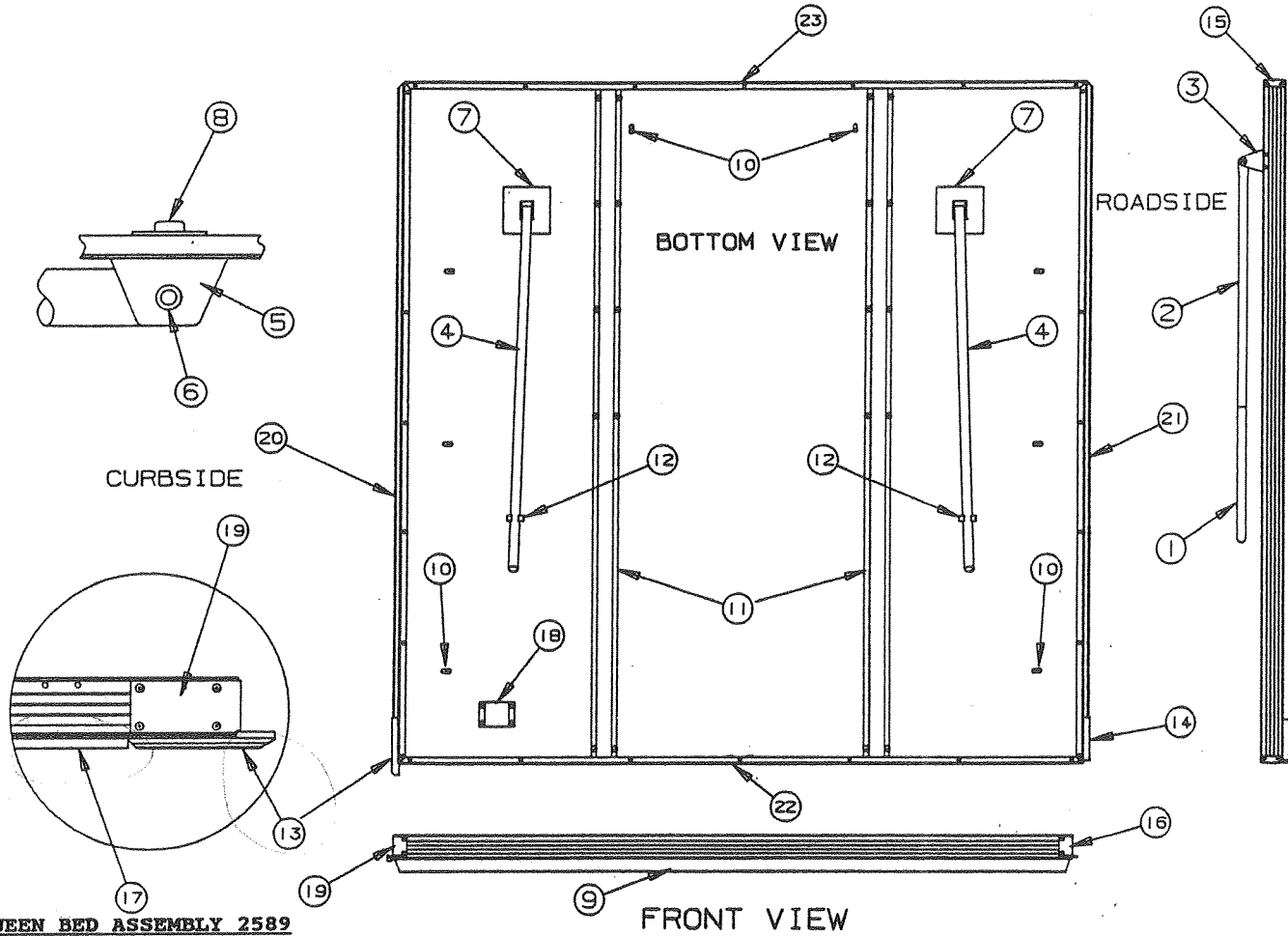


BED SUPPORT ASSEMBLY 2589

CODE	PART NO.	DESCRIPTION
1	4747-6991	Bed support assy (complete)
2	4747-980	Bed support leg
3	4716-8291	Bed slide pad (plastic)
	1203-8978	Rivet x2
4	4720A2361	Rod & pal nut assy



DESTINY 1991 REPAIR PARTS



QUEEN BED ASSEMBLY 2589

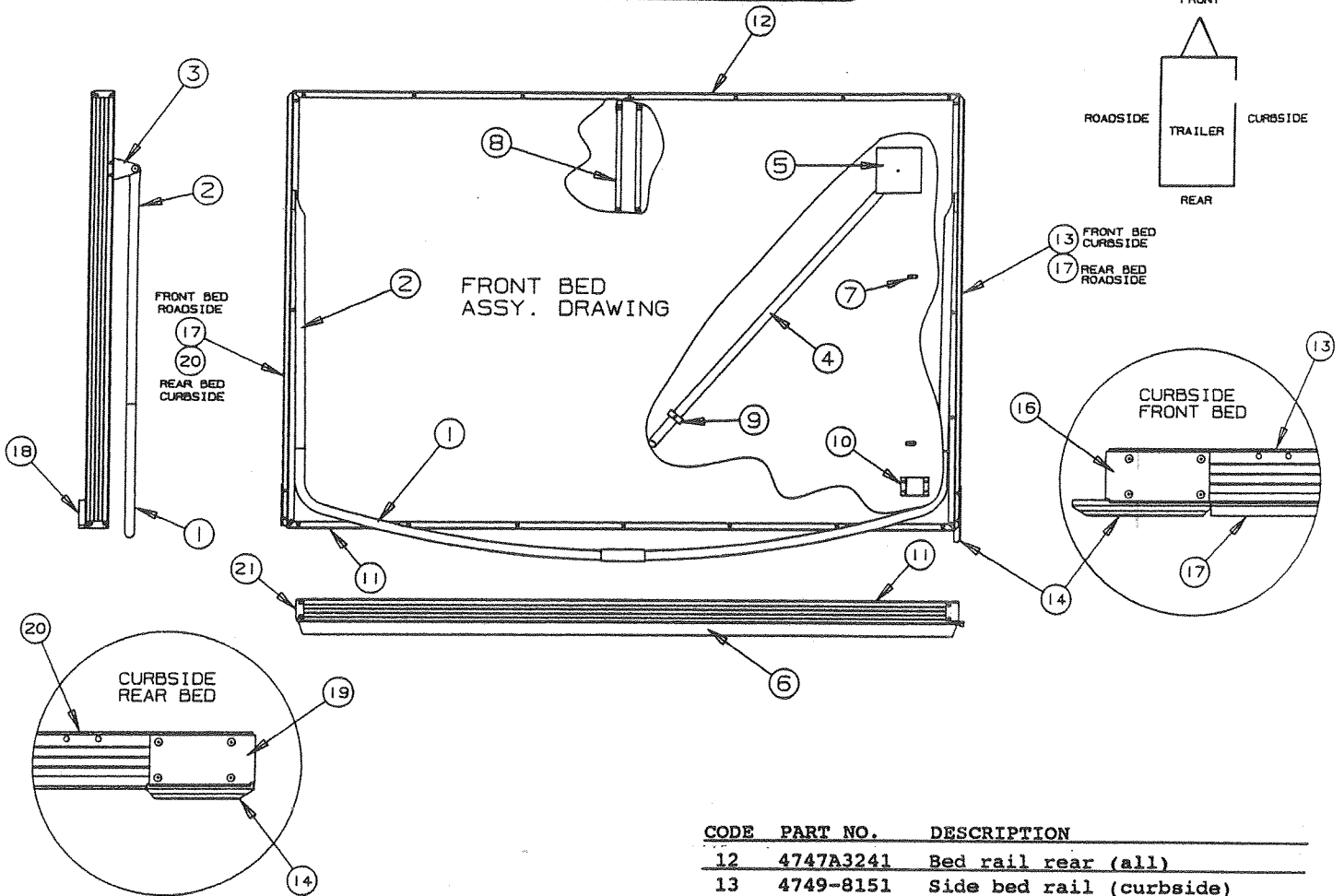
4747-671 Bed Assembly, Front (complete less mattress)
See Page 16 for Rear Bed Assembly 4747-548 used on 2589

CODE	PART NO.	DESCRIPTION
1	4737E2631	Upper tent bow assy
2	4737E2641	Lower tent support x2
	4733-4118	Tex screw x2
3	4720F5631	Bed bow bracket x2
	4716-078	Screw x2
4	4734E5881	Bed leg support x2
5	4734A5141	Bed leg support bracket
6	4720A2361	Rod & pal nut assy
7	4737A4178	Support plate x2
8	1040B1614	Screw x1
	1202B2528	Washer x1
	4739-2918	Screw cap washer x1
	4739A2908	Screw cap x1
9	4060000339	Bed seal (front & rear)
10	4720D4021	Lashing hook, M6
	1203-8741	Rivet, M25
11	4747-978	Bed channel x2
	1203C8721	Rivet x10, M25
12	4720C0771	Bed leg support clip x2, M4
	1203-8831	Rivet, M25
13	4747B4051	Bed slide (curbside) x1
	1034B08088	Screw x2
14	4747B3691	Bed slide (roadside) x1
	1034B08088	Screw x2
15	4747A3221	Bed angle x2
	1203-8641	Rivet x8, M50
16	4749A4901	Bed reinforcement angle x1
	1203-8978	Rivet x2 (countersunk)
	1203-8641	Rivet x4, M50
17	4749-8341	Bed slide lower x1 (curbside)
	4350000080	Double stick tape (5 1/2 ft.)
	4749-4118	Screw x10
18	4749-4891	Stop x1
	1203C8721	Rivet x4, M25
19	4749A4871	Bed reinforcement angle x1
	1203-8978	Rivet x2 (countersunk)
	1203-8641	Rivet x4, M50
20	4747-9911	Side bed rail, curbside
21	4749-8331	Side bed rail, roadside
22	4749-8311	Front bed rail
23	4749-8321	Rear bed rail

Coleman
**REGULAR BED
 ASSEMBLY &
 COMPONENTS**

**DESTINY
 1991
 REPAIR PARTS**

Coleman
FLEETWOOD
FOLDING TRAILERS

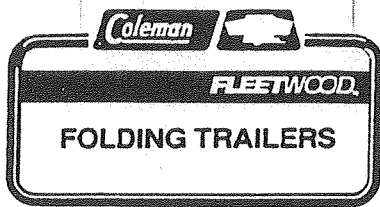


BED ASSEMBLY 2570, 2575

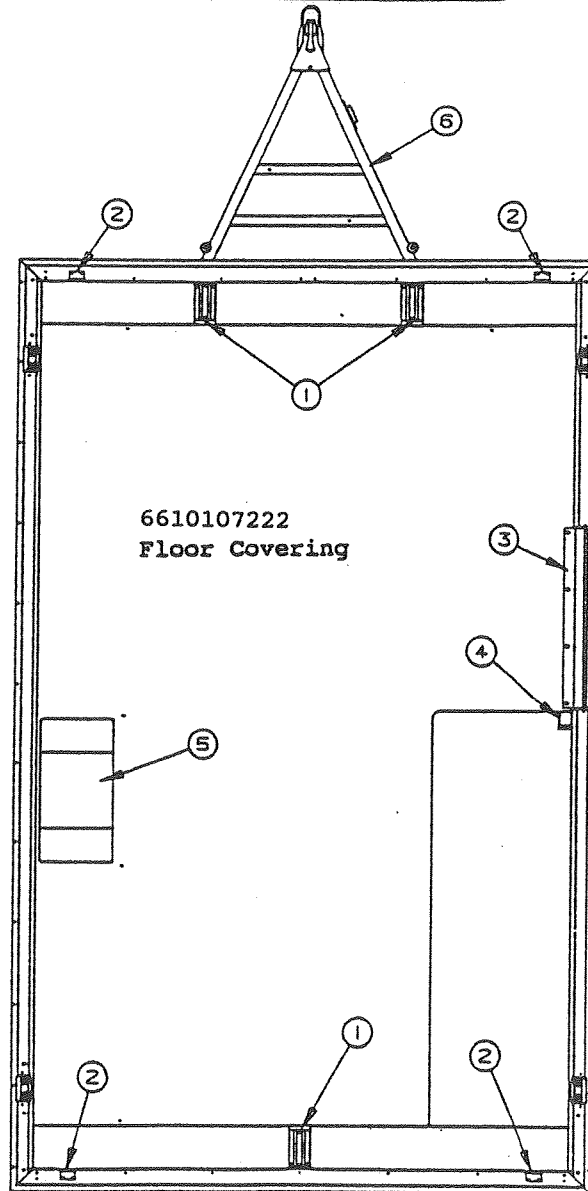
4747-520 Bed Assembly, Front
 4747-548 Bed Assembly, Rear

CODE	PART NO.	DESCRIPTION
1	4737E2631	Upper tent bow assy
2	4737E2641	Lower tent support x2
	4733-4118	Tex screw x2
3	4720P5631	Bed bow bracket x2
	4716-078	Screw x2
	4737-2558	Tex screw x2
4	4734E5881	Bed leg support x2
	(See Page 15 for component parts)	
5	4737A4178	Support plate
6	4060000339	Bed seal (front/rear)
7	4720D4021	Lashing hook x6, M6
	1203-8741	Rivet x6, M25
8	4747A116	Bed channel
	1203-8741	Rivet x10, M25
9	4720C0771	Bed leg support clip x2, M4
	1203-8831	Rivet x2, M25
10	4749-4891	Bed stop x1
	1203C8721	Rivet x4, M25
11	4749-8161	Bed rail front (all)

CODE	PART NO.	DESCRIPTION
12	4747A3241	Bed rail rear (all)
13	4749-8151	Side bed rail (curbside) front bed only
14	4747B4051	Bed slide (curbside) front bed only
	4716-081	Screw x2
15	4749-8061	Bed slide lower 43" length (curbside) front bed only
	4749-4118	Screw x7
16	4749A4871	Bed reinforcement angle x1 (curbside) front bed only
	1203-8978	Countersunk rivet x2
	1203-8641	Rivet x4
17	4747-3231	Side bed rail (roadside) front & rear bed assy.
18	4747B3691	Bed slide x2 rear bed (roadside & curbside) x1 front bed (roadside only)
	1034B08088	Screw x2
19	4749A4901	Bed Reinforcement angle x1 (curbside) rear bed only
	1202-8978	Counter sunk rivet x2
	1203-8641	Rivet x4
20	4749-8171	Side bed rail (curbside) rear bed only
21	4747A3221	Bed angle x3 (all)
	1203-8641	Rivet x12, M50

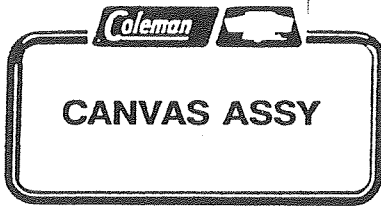


DESTINY 1991 REPAIR PARTS

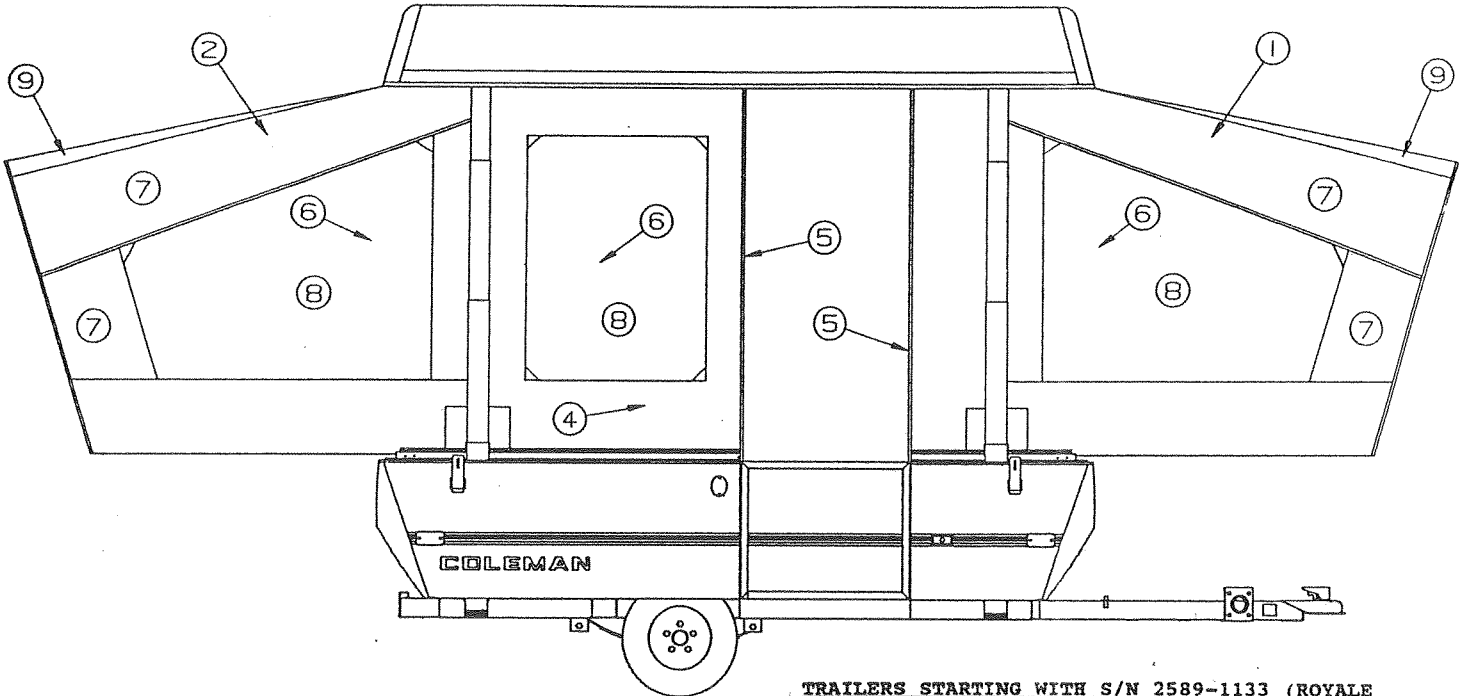
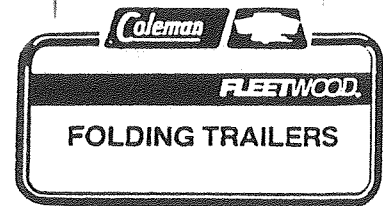


INTERIOR MISCELLANEOUS PARTS

CODE	PART NO.	DESCRIPTION
1	4747A5841	Guide slide assy, 2570, 2575 x2, 2589 x3
	4749-956	Rivet x4
2	4749-473	Bed stop x4
	1203-8651	Rivet x2, M50
3	4747-5621	Screen door support x1
	1114B1012	Screw x4
	4060000399	Rubber seal (black)
4	4747A4781	Plate and wedge x1
5	4747A4161	Wheel well x2
6	See Page 2 for Frame Details.	



DESTINY 1991 REPAIR PARTS



TRAILERS STARTING WITH S/N 2589-1001 THRU 2589-1132 (ROYALE AND 2570-1001 THRU 2570-1185 (ROANOKE MODEL)

MUST ORDER THE FOLLOWING TENT SECTIONS:

CANVAS ASSEMBLIES - 2570, 2575, 2589

Canvas - Grey
 Grey Vinyl - Outside
 White Vinyl - Inside

CODE	PART NO.	DESCRIPTION
1	4747-6511	Front boot, 2570,
	4747-6681	Front boot, 2589
2	4747-6531	Rear boot, 2570, 2589
3	4747-6501	Large window, 2570,
	4747-6661	Large window, 2589 (not shown)
4	4747-6521	Small window, 2570,
	4747-6671	Small window, 2589
5	4060100056	Door seal extrusion 46" (rubber)
6	3750107801	Screen
7	8114210115	Grey army duck canvas
8	4064101201	Clear vinyl 41"-12 mil.
9	8119901428	Top vinyl white back - 80"
10	4060000024	Top seal arrowhead
11	4060000055	Tubing 5/16" (slide Evolution into body rail)
12	8160000320	Bias binding
13	6650500128	#42 Chain zipper, natural (used around windows)
	1225-4441	Zipper pull, M005
14	1225G3468	Zipper slider half, grey (used on large & small window)
15	1225G3478	Zipper pin half, grey (used on boot assy's)
16	4743-1588	K-Kote seam sealer
17	4727A4471	Canvas patch pkg. 12"x14" grey

NOTE: Items 3, 10-17 not shown in drawing.

TRAILERS STARTING WITH S/N 2589-1133 (ROYALE AND 2570-1186 (ROANOKE MODEL)

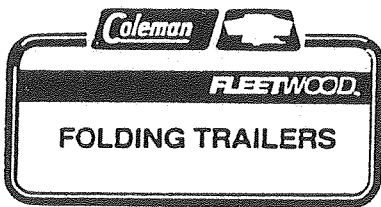
MUST ORDER THE FOLLOWING TENT SECTION

CANVAS ASSEMBLIES - 2570, 2575, 2589

Canvas - Grey
 Grey Vinyl - Outside
 White Vinyl - Inside

CODE	PART NO.	DESCRIPTION
1	4747A6511	Front boot, 2570, 2575
	4747A6681	Front boot, 2589
2	4747A6531	Rear boot, 2570, 2575, 2589
3	4747A6501	Large window, 2570, 2575
	4747A6661	Large window, 2589 (not shown)
4	4747A6521	Small window, 2570, 2575
	4747A6671	Small window, 2589
5	4060100056	Door seal extrusion 46" (rubber)
6	3750107801	Screen
7	8114210115	Grey army duck canvas
8	4064101201	Clear vinyl 41"-12 mil.
9	8119901428	Top vinyl white back - 80"
10	4060000024	Top seal arrowhead
11	4060000055	Tubing 5/16" (slide Evolution into body rail)
12	8160000320	Bias binding
13	6650500129	#42 Chain zipper, natural (used around windows)
	1225-4441	Zipper pull, M005
14	1225-3668	Zipper slider half, grey (used on large & small window)
15	1225-3658	Zipper pin half, grey- (used on boot assy's)
16	4743-1588	K-Kote seam sealer
17	4727A4471	Canvas patch pkg. 12"x14" grey

NOTE: Items 3, 10-17 not shown in drawing.

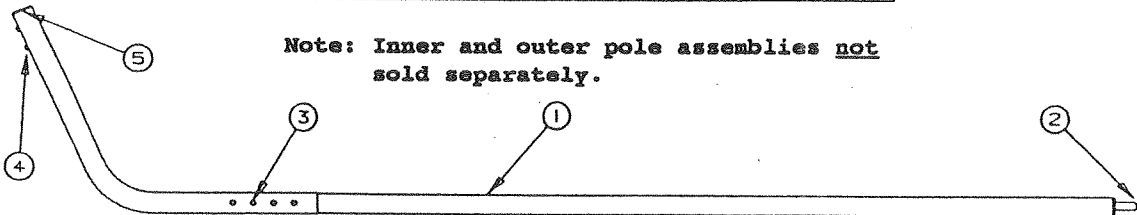


DESTINY 1991 REPAIR PARTS



TENT SUPPORT ASSEMBLIES

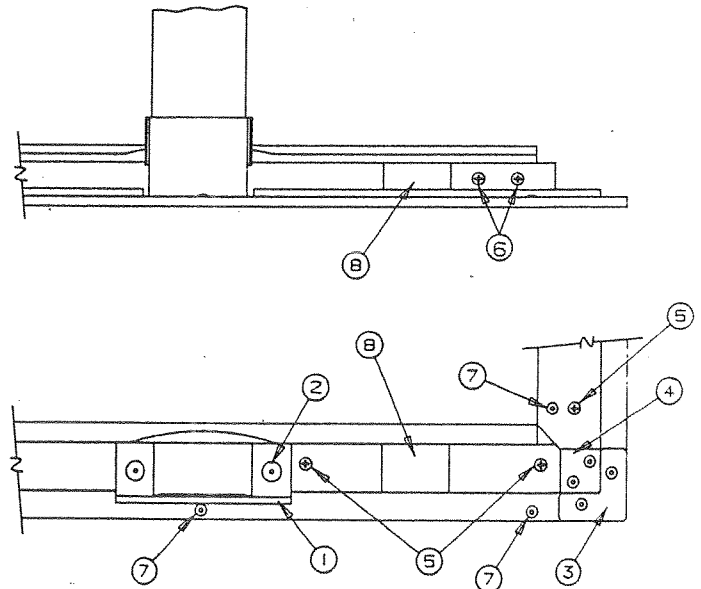
CODE	PART NO.	DESCRIPTION
1	4747-5731	Tent support assy 2570, 2575, 2589
	4747-6641	Tent support assy, 2589 only (queen bed)
2	8470-1728	Pole pin, blue
3	4734-6708	Spring assy
4	4734A6708	Spring assy
5	4730B4648	Tube closure
6	4733-4118	Tek screw (not shown)



Note: Inner and outer pole assemblies not sold separately.

LIFT TRIM & MITER COVERS - 2570, 2575, 2589

CODE	PART NO.	DESCRIPTION
1	4734B4121	Lift trim
	4744A958	Lift gasket (under lift trim)
	4747-865	Foam tape (under lift trim)
2	1203-8831	Rivet x2, M25
3	4716C9101	Outer miter cover, M4
	1203-8651	Rivet x2, M50
4	4747-0531	Miter lock, M4
	1203-8651	Rivet x2, M50
5	4741-9108	Tek screw x2
6	4716-081	Screw x2
7	1203-8651	Rivet, M50
8	4723-8071	Velcro hook 2"x2" adhesive backed



CURTAINS

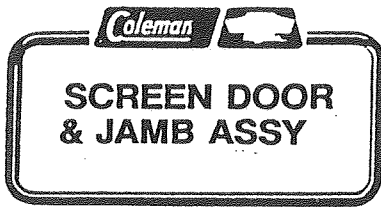
Destiny Series	Curtain Package	No. of Panels
2570 Roanoke	4724-8361	4
2575 Roanoke CD	4724-8361	4
2589 Royale	4724A8371	4

COLORS

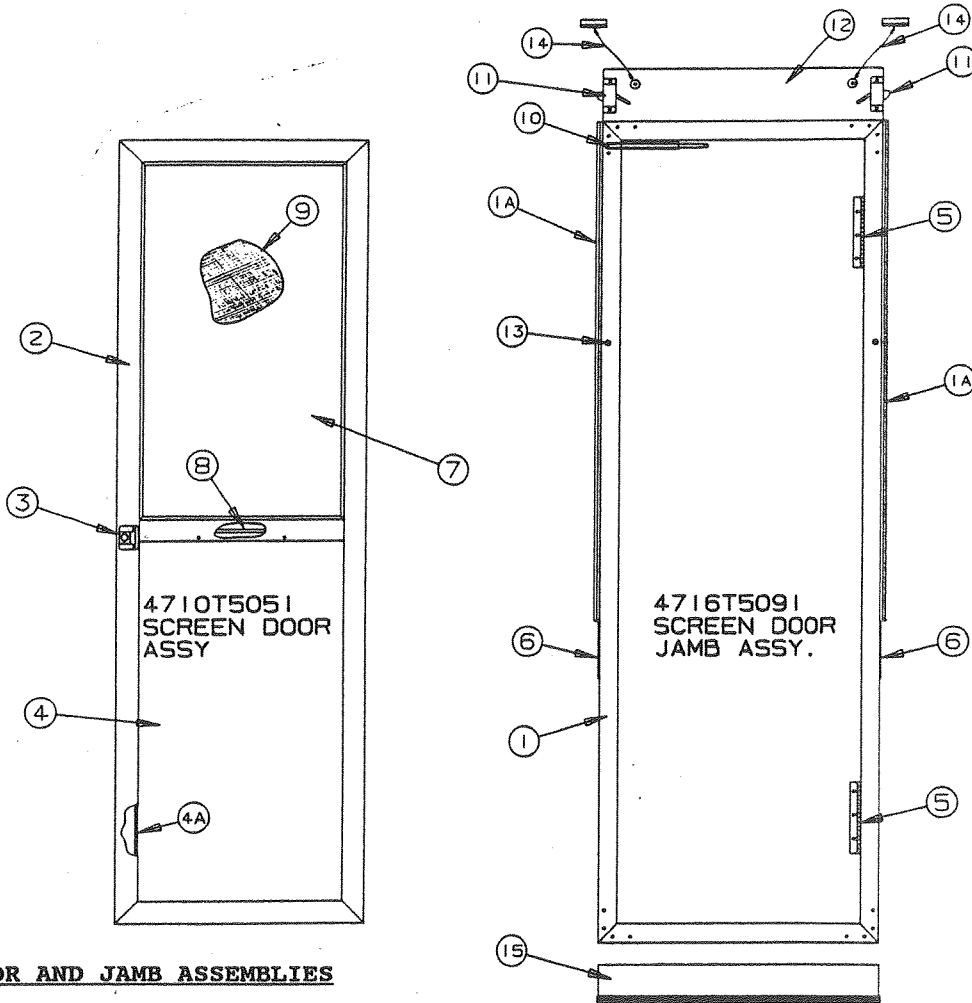
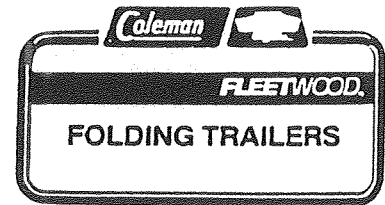
2570, 2575, 2589 - Dusty Blue, Vinyl backed
811-60-000-63

SINGLE CURTAIN PANEL W/SAFETY STRAP

4716-2211	Single Panel Curtain w/safety strap, 2570, 2575,
4716-2311	Single Panel Curtain w/safety strap, 2589



DESTINY 1991 REPAIR PARTS

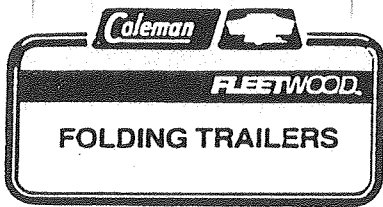


SCREEN DOOR AND JAMB ASSEMBLIES

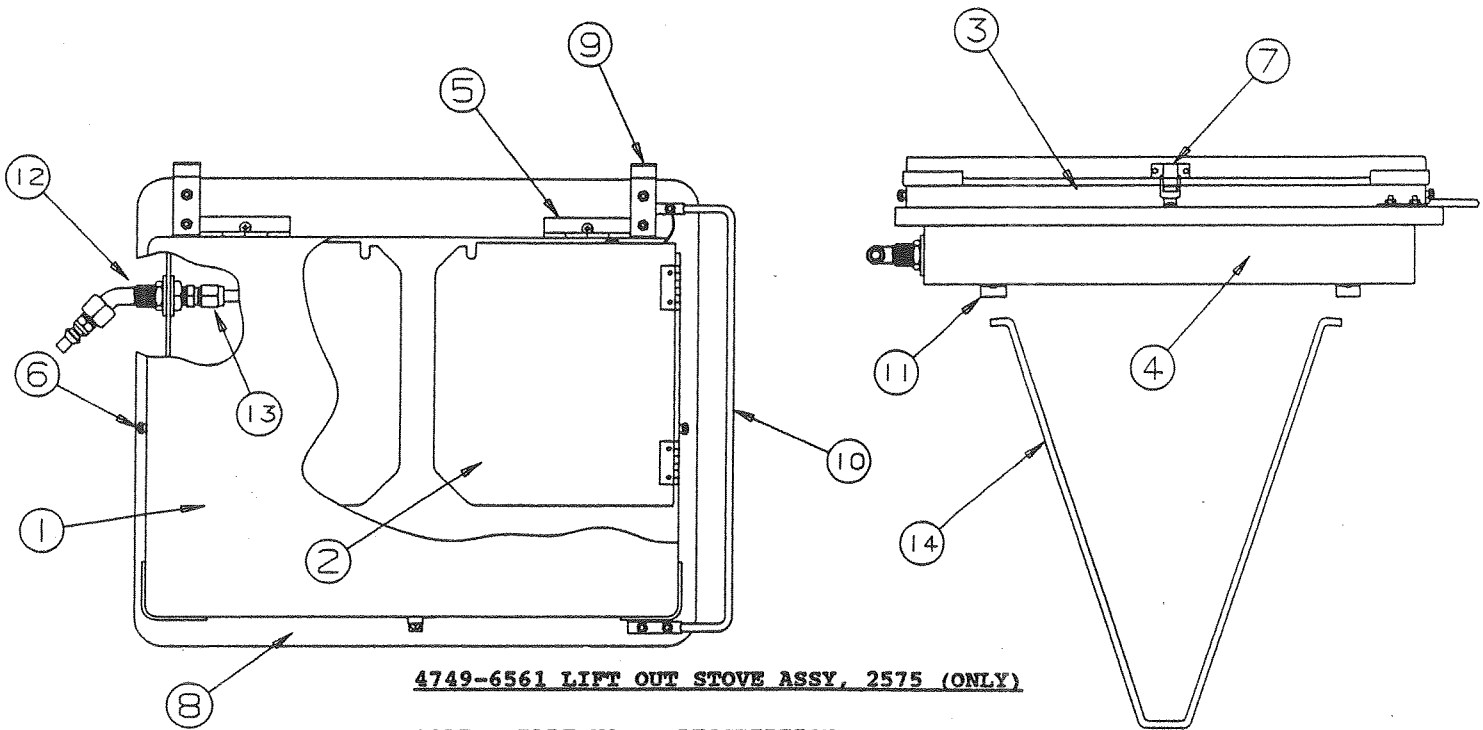
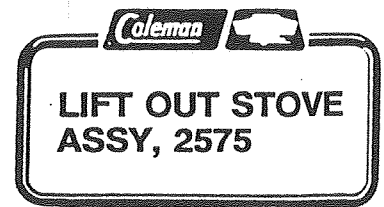
4710T5051 Screen door assembly (all)
 4716T5091 Screen door jamb assembly (all)

CODE	PART NO.	DESCRIPTION
1	4716T5091	Door jamb assy
1A	4747-4501	Door seal, 47" long
	1203-8651	Rivet x2, M50
	1203-8641	Rivet x8, M50
2	4710T5051	Screen door assy
3	4733C4791	Latch assy pkg (washer x2 and strike provided in pkg)
	4741B9861	Rivet x2, M25 (rivet strike in place)
4	4737B8771	Kick plate
4A	4060000085	Grey tube seal (sold/ft)
5	4720C3601	Screen door hinge x2
	1203-8631	Rivet x3, M50
6	4350000005	Velcro hook 3/4" grey
7	4710D3781	Sliding window pane x1

8	4749-8861	Drip seal 18 3/8" long
9	3750000048	Screen 32 3/8" x 18 1/2" (sold /foot)
10	4731A8201	Spring pkg (spring, rivets & transparent tube included in package)
11	4741-8658	Sash lock x2
	4734B1861	Rivet x4, M25
12	4749-845	Top bracket x1
	1203-8651	Rivet x6, M50
13	4730A3548	Stud with screw x2
14	4734C5211	Screen door cable x2, M6
	1203-8831	Rivet x2, M25
	4733-3398	Plastic bushing x2
	1202B2698	Washer x2
15	4747-5621	Screen door support assy
	4060000399	Rubber seal, black
	1114B1012	Screw x4 (screw support to floor)



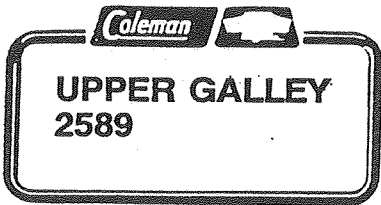
DESTINY 1991 REPAIR PARTS



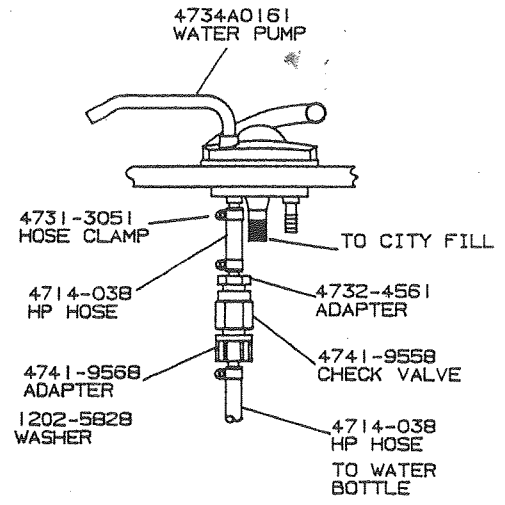
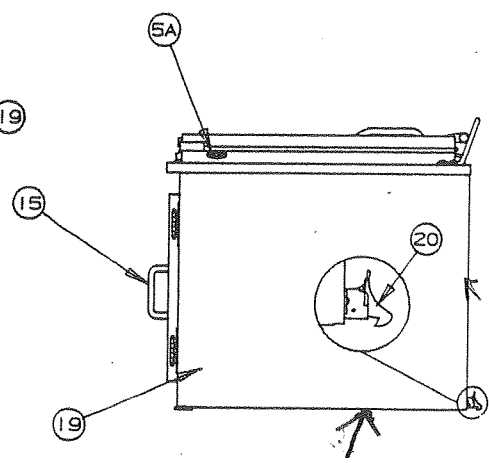
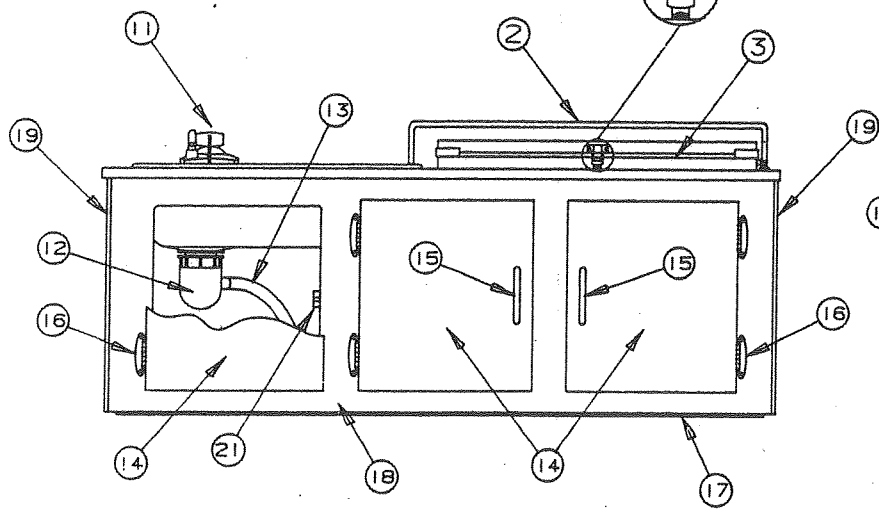
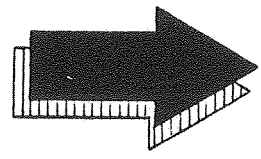
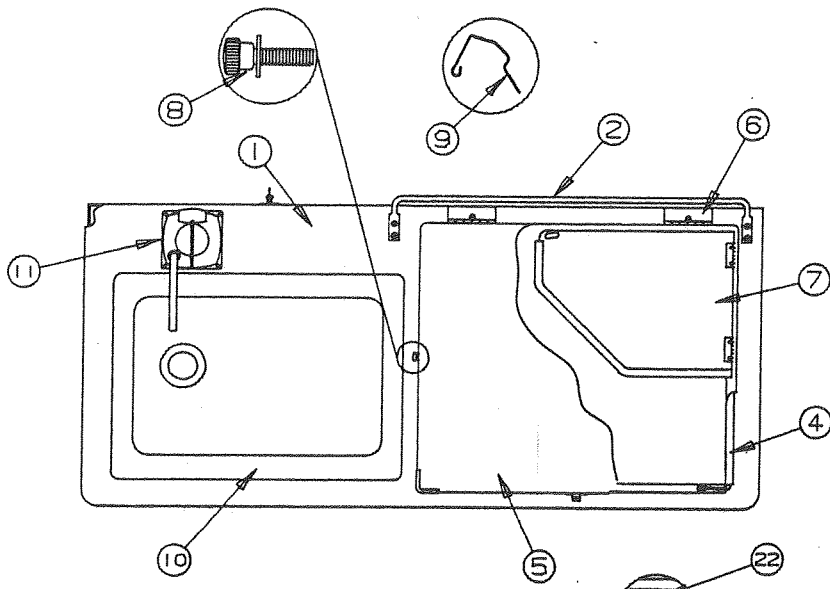
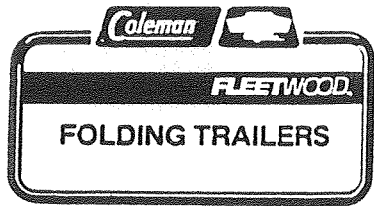
4749-6561 LIFT OUT STOVE ASSY, 2575 (ONLY)

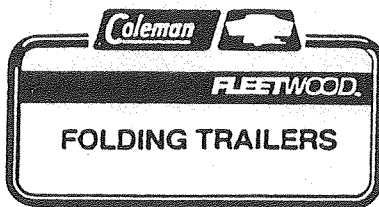
CODE	PART NO.	DESCRIPTION
1	4749-6601	Stove cover
2	4749-993	Stove fin x2
	4741A440	Hinge x4
3	4744B2381	Cook top, 2 burner
4	4748-258	Stove box (includes cook top, grates & clips)
5	4739A282	Hinge
	4716-056	Countersunk screw x2
	1201B6958	Nut x2
6	4716-0881	Thumb screw & washer x2, M6
7	4733-4018	Stove cover latch
	4733-4028	Strike (located on stove base top)
	4737-8478	Screw x1
8	4749-998	Stove base top
9	4749-9951	Stove bracket x2 (see CODE 5 for screws & nuts)
10	4748-2591	Towel rack (See CODE 5 for screws & nuts)
11	4746B070	Support bracket x2
	4733C0601	Rivet x4, M25
12	4716-7771	Gas line disconnect assy pkg (pkg consist of 1 elbow, 2 washers, 1 half union, 1 anchor connector & 1 plug)
13	4749-661	Gas line assy
14	4748-2731	Stove support

Portable Board

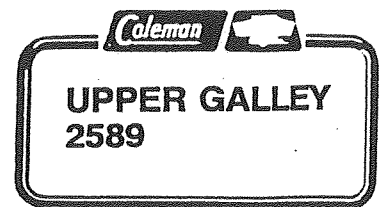


DESTINY 1991 REPAIR PARTS





DESTINY 1991 REPAIR PARTS



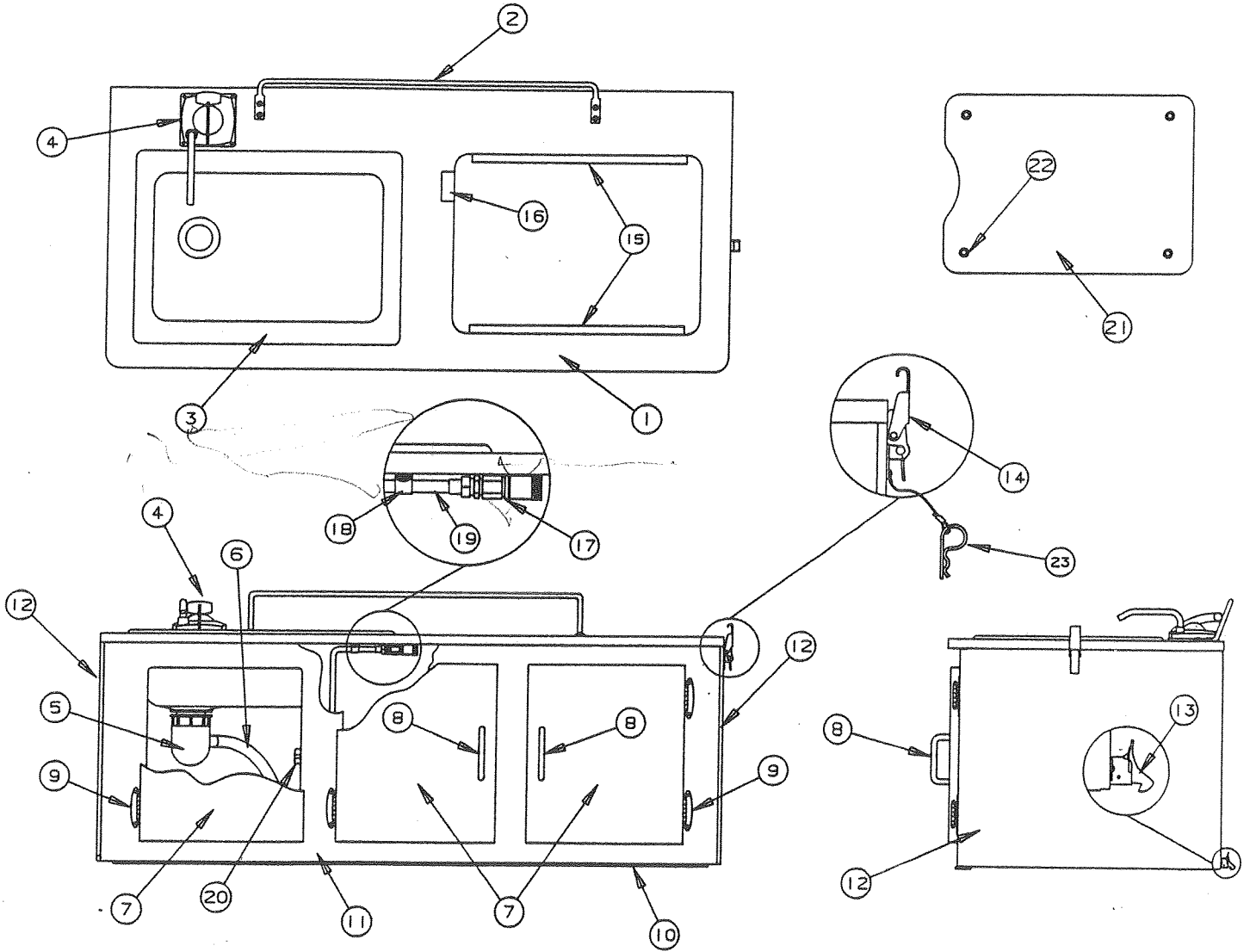
UPPER GALLEY ASSEMBLY - 2589 ROANOKE ROYALE
(4747C672 - COMPLETE)

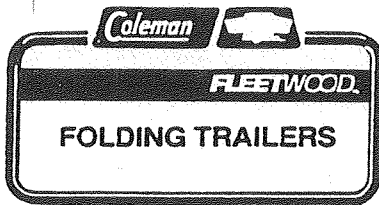
CODE	PART NO.	DESCRIPTION
1	4747B4391	Upper galley top
	4716-178	T molding (sold/foot)
	4737-8478	Screw (top to cabinet)
	4749-404	Galley angle
2	4734C0841	Towel rack
	4716-052	Screw x4
	1201B6958	Nut x4
3	4744B2401	Cook top stove, 3 burner
4	4739F2931	Stove box (includes cook top, grates & clips)
5	4741C6031	Stove cover
5A	1226D1538	Stove fin latch
	1203-8678	Rivet x2
6	4739A282	Hinge x2
	4716-052	Screw x2
	1201B6958	Nut x2
7	4741E413	Stove fin x1
	4060000253	Edge molding, 17"
	4741A440	Hinge x2
8	4716-0881	Thumb screw & washer x2, M6
9	4716-9721	Grate clip pkg, M8
10	4710D0301	Sink
	4730D3151	Basket & strainer
	4714B0661	Crumb cup x1
11	4734A0161	Water pump
	1103E0608	Screw x4
12	4734A0671	Drain trap x1, M2
13	4714A277	Drain hose (sold/foot)
	4744-2678	Hose clamp x2
	4734C0681	Drain spout
	4737-8478	Screw x2
14	4747A5571	Door panel x3
15	4739C0501	Door pull (plastic)
	4716-055	Screw x2
16	4739A0518	Hinge
	4749-4118	Screw
17	4747-967	Hinge
	4744-4608	Rivet x5
	1202B0268	Washer x5
	4716-075	Screw x8 (hinge to lower galley top)
18	4747-436	Upper galley front
19	4747-313	Upper galley side panel x2
20	4744-9261	Chicken latch x1
	4734-234	Screw x2
	4744A927	Strike (on lower galley top)
	4738-3088	Screw x2
21	4744A5681	Latch bracket assy
	4737-8478	Screw x2
22	4733-4018	Stove cover latch x1
	4733-4028	Strike (located on galley top)
	4737-8478	Screw x1

Coleman
UPPER GALLEY
ASSY 2575

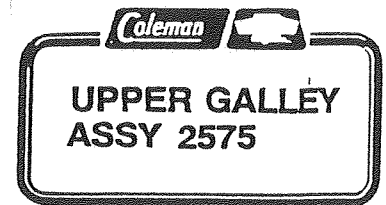
DESTINY
1991
REPAIR PARTS

Coleman
FLEETWOOD
FOLDING TRAILERS



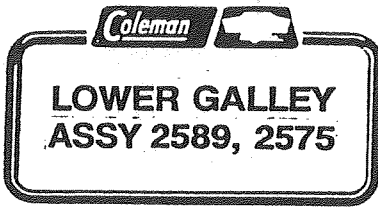


DESTINY 1991 REPAIR PARTS

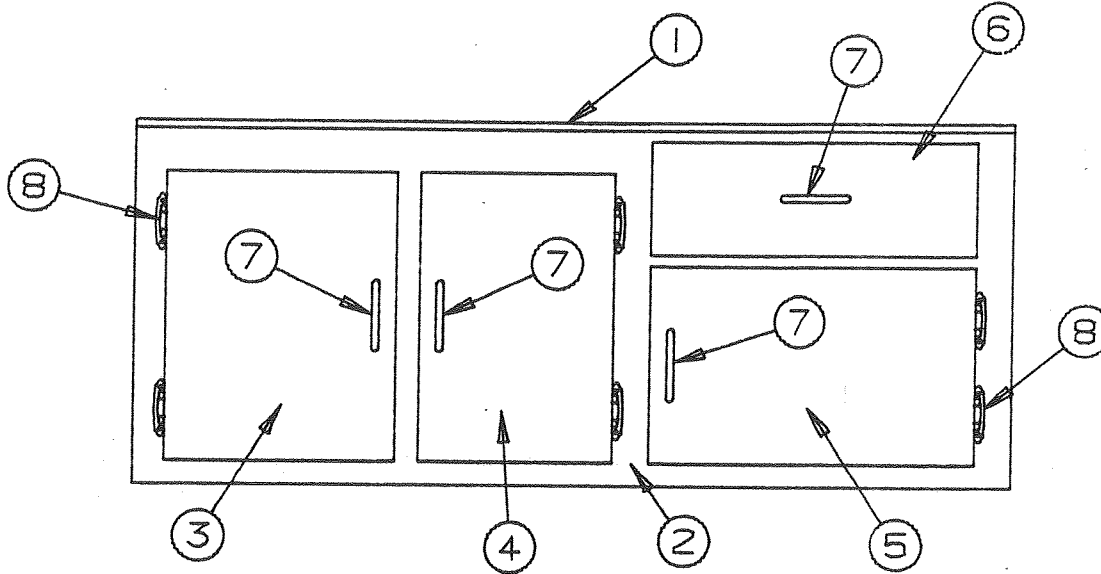
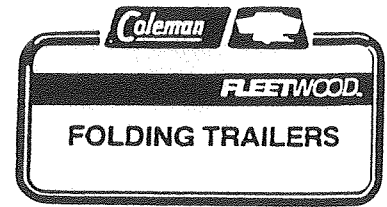


UPPER GALLEY ASSEMBLY - 2575 ROANOKE CD
(4749-654 - COMPLETE)

CODE	PART NO.	DESCRIPTION
1	4749-9921	Upper galley top
	4716-178	T molding (sold/foot)
	4749-404	Galley angle
	4737-8478	Screw (top to cabinet)
2	4734C0841	Towel rack
	4716-052	Screw x4
	1201B6958	Nut x4
3	4710D0301	Sink
	4730D3151	Basket & strainer
	4714B0661	Crumb cup x1
4	4734A0161	Water pump
	1103E0608	Screw x4
5	4734A0671	Drain trap x1, M2
6	4714A277	Drain hose (sold/foot)
	4744-2678	Hose clamp x2
	4734C0681	Drain spout, M2
	4737-8478	Screw x2
7	4747A5571	Door panel x3
8	4739C0501	Door pull (plastic)
	4716-055	Screw x5
9	4739A0518	Hinge
	4749-4118	Screw
10	4747-967	Hinge
	4744-4608	Rivet x5
	1202B0268	Washer x5
	4716-075	Screw x8 (hinge to lower galley top)
11	4747-436	Upper galley front
12	4747-313	Upper galley side panel x2
13	4744-9261	Chicken latch x1
	4734-234	Screw x2
	4744A927	Strike (on lower galley top)
	4738-3088	Screw x2
14	4748-2711	Draw latch x1
	1203-8641	Rivet x2, M50
15	4749-404	Galley angle x4
	4737-8488	Screw x8
16	4350000024	Abrasion resistant tape 2 1/2" x2"
17	4749-9971	Quick disconnect
18	1201-8658	Plastic clamp
	4737-8488	Screw x1
19	4747-208	Gas hose
20	4744A5681	Latch bracket assy
	4737-8478	Screw x2
21	4749-6551	Cutting board
22	4724-2608	Recessed bumper x4
	4737-8488	Screw x4
23	4748-5421	Safety pin assy

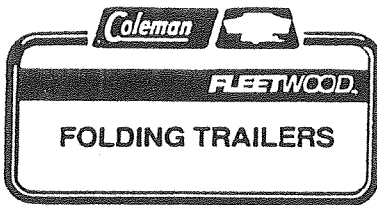


DESTINY 1991 REPAIR PARTS

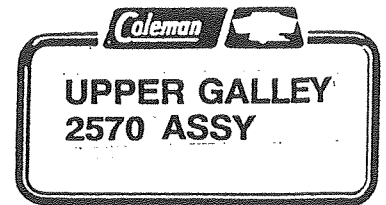


LOWER GALLEY ASSEMBLY - 2575, ROANOKE CD, 2589 ROANOKE ROYALE

CODE	PART NO.	DESCRIPTION
1	4747A4371	Lower galley top (2575, 2589)
	4741-221	Galley angle x3
	4716-075	Screw (top to cabinet)
2	4747A4301	Lower galley front, 2589
	4749-990	Lower galley front, 2575
3	4747A5561	Door panel, x1 (2575, 2589)
4	4747A5591	Door panel, x1 (2575, 2589)
5	4747A5601	Door panel, x1 (2589 only)
	4749-991	Door panel, x1 (2575 only)
6	4747B5821	Drawer assy (2589 only)
7	4739C0501	Door pull
	4716-055	Screw
8	4745A2618	Hinge, spring loaded
	4749-4118	Screw

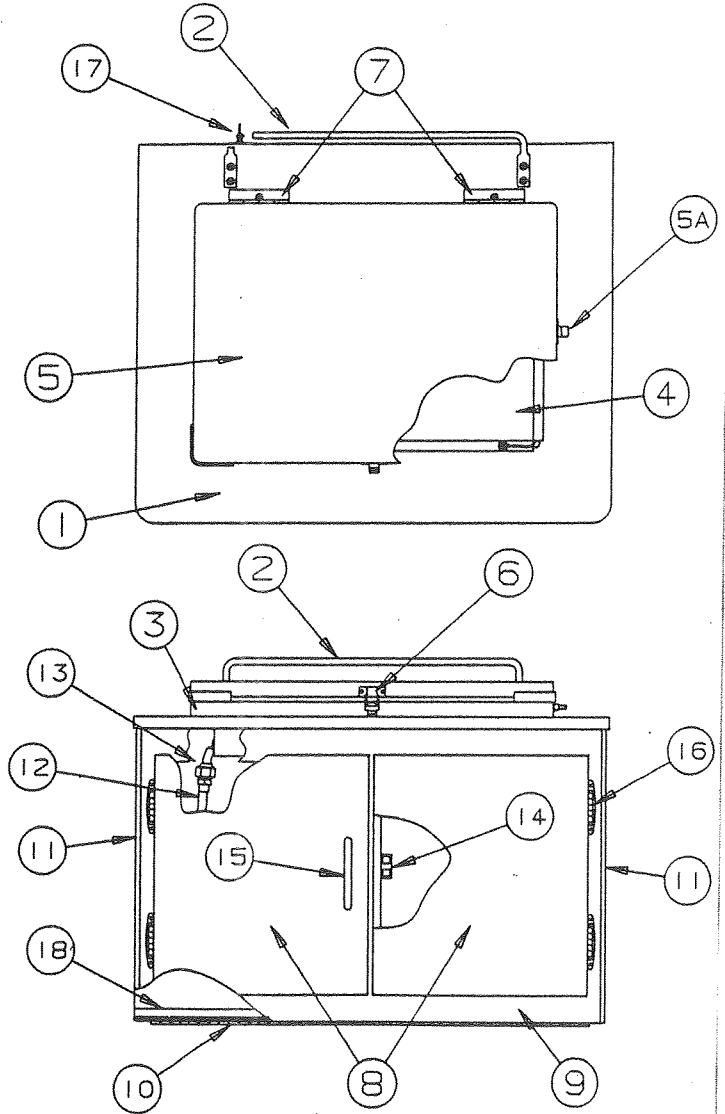


DESTINY 1991 REPAIR PARTS



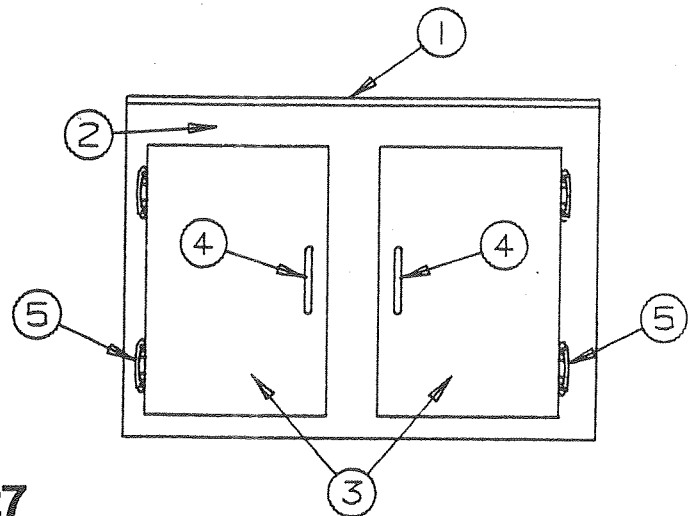
**UPPER GALLEY ASSEMBLY - 2570 ROANOKE
(4747A569 - COMPLETE)**

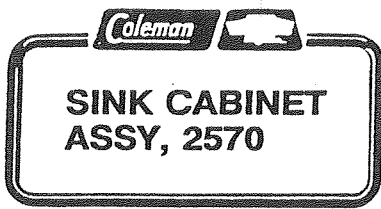
CODE	PART NO.	DESCRIPTION
1	4747-3311	Upper galley top
	4737-8478	Screw (top to cabinet)
	4749-404	Galley angle x4
2	4734C0991	Towel rack
	4716-052	Screw x4
	1201B6958	Nut x4
3	4744B2381	Cook top stove, 2 burner
4	4739C2871	Stove box (includes cook top, grates and clips)
5	4741A6261	Stove cover
5A	1226D1538	Stove fin latch
	1203-8678	Rivet x2
6	4733-4018	Stove cover latch x1
	4733-4028	Strike x1 (located on galley top)
	4737-8478	Screw x1
7	4739A282	Hinge x2
	4716-052	Screw x2
	1201B6958	Nut x2
8	4747A5571	Door panel x2
9	4747-330	Upper galley front
10	4747-396	Hinge
	4744-4608	Rivet x5
	1202B0268	Washer x5
11	4747-313	Upper galley side panel x2
12	4730A3431	Gas hose (flexible)
13	4747-570	Gas line
	1201-8708	Clamp 3/8"
14	4744A5681	Latch bracket assy
15	4739C0501	Door pull (plastic)
	4716-055	Screw x2
16	4739A0518	Hinge
	4749-4118	Screw
17	4744-9261	Chicken latch
	4734-234	Screw x2
18	4747-3381	Upper galley bottom



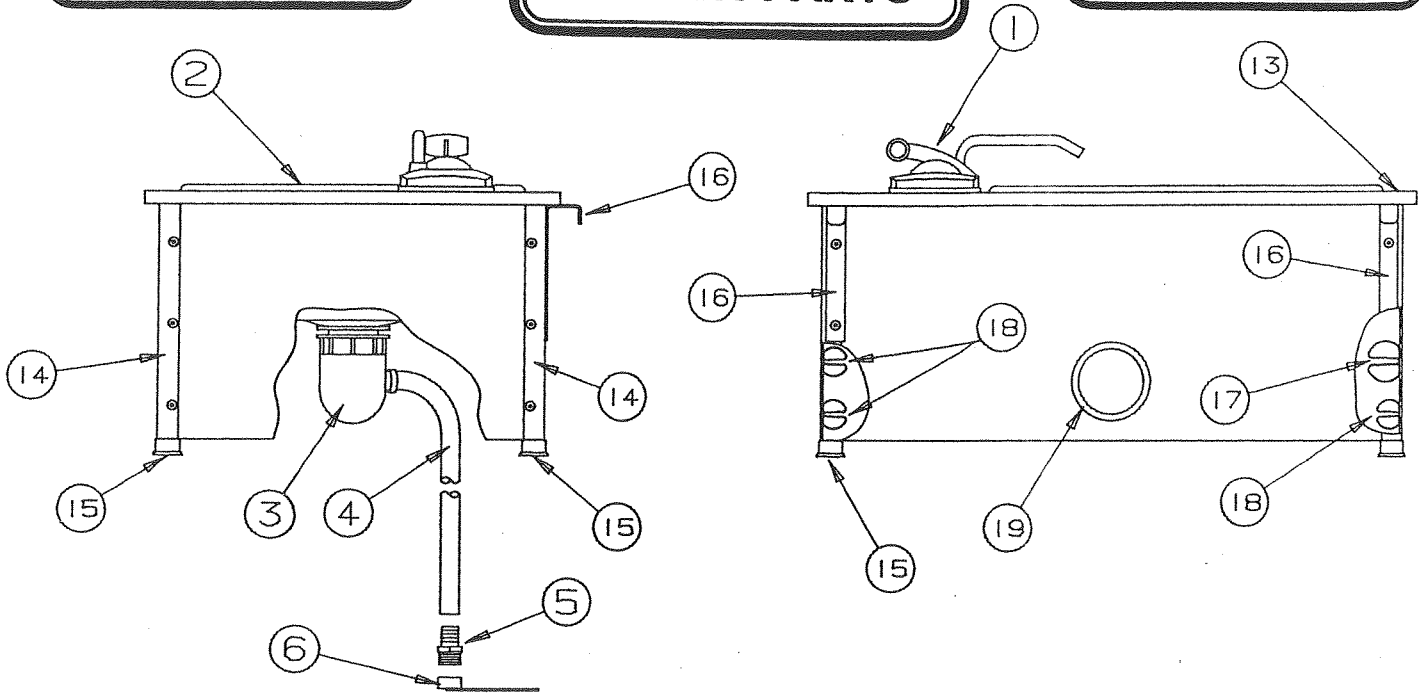
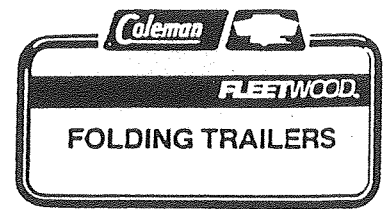
**LOWER GALLEY ASSEMBLY - 2570 ROANOKE
4747A568 (COMPLETE)**

CODE	PART NO.	DESCRIPTION
1	4747-3291	Lower galley top
	4741-221	Galley angle x3
	4716-075	Screw (top to cabinet)
2	4747B3261	Lower galley front
3	4747A5591	Door panel x2
4	4739C0501	Door pull
	4716-055	Screw x2
5	4745A2618	Hinge, spring loaded
	4749-4118	Screw



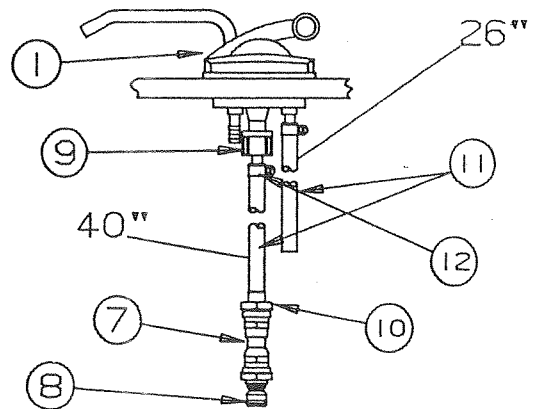


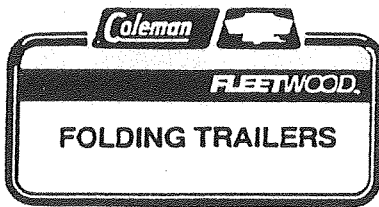
DESTINY 1991 REPAIR PARTS



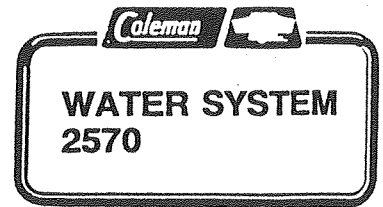
**4747-5631 - SINK CABINET ASSEMBLY (COMPLETE)
2570 ROANOKE ONLY**

CODE	PART NO.	DESCRIPTION
1	4734A0161	Water pump
	4716-081	Screw x4
2	4710C030	Sink (stainless steel finish)
	4730D3151	Basket & strainer
	4714B0661	Crumb cup x1
3	4734A0671	Drain trap, M2
	4744-2678	Hose clamp x1
4	4714A277	Drain hose
5	4747-9601	Hose end x1
6	4747-9641	Cap & strap, M2
7	4747-4751	Check valve (plastic) x1
8	4716-1091	Quick disconnect adapter x1
9	4741-9568	Female adapter x1
10	4732-4561	Adapter x1
11	4714-038	High pressure hose
12	4731-3058	Hose clamp x2
13	4747-4091	Sink cabinet top
14	4747-375	Sink cabinet corner x4
	4733A0601	Rivet, M25
15	4747-4201	Plastic foot x4
16	4747B3951	Sink cabinet bracket
	4734A1861	Rivet x4, M25
17	4720C0771	Clip x1, M4
	4733A0601	Rivet x1, M25
18	4734-2431	Clip x3, M4
	4733A0601	Rivet x3, M25
19	4747-4298	Bushing x1



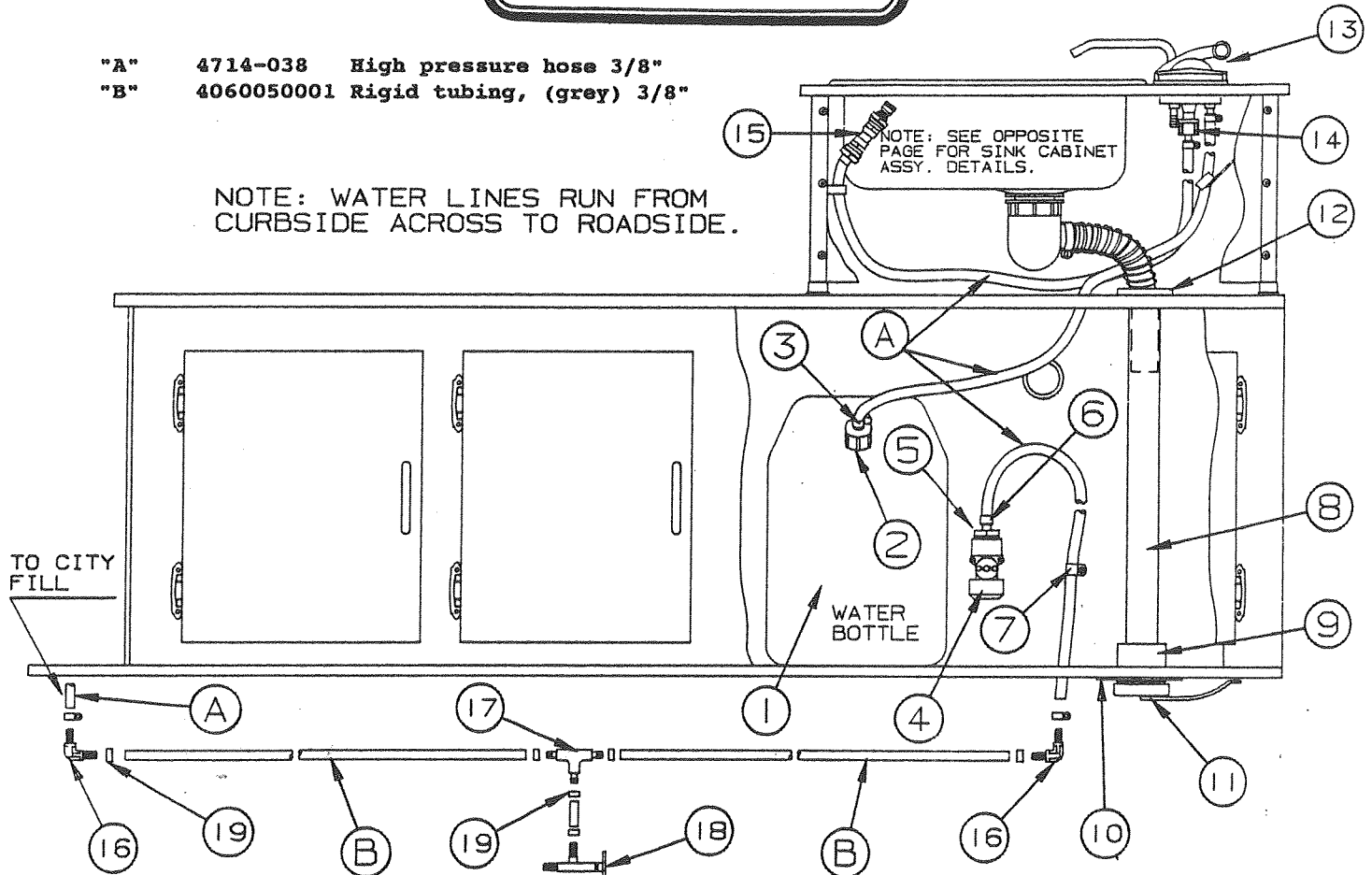


DESTINY 1991 REPAIR PARTS



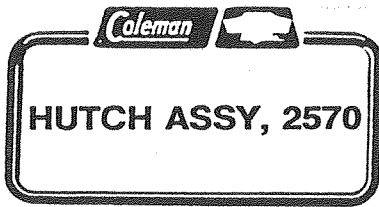
- "A" 4714-038 High pressure hose 3/8"
 "B" 4060050001 Rigid tubing, (grey) 3/8"

NOTE: WATER LINES RUN FROM CURBSIDE ACROSS TO ROADSIDE.



2570 ROANOKE WATER SYSTEM

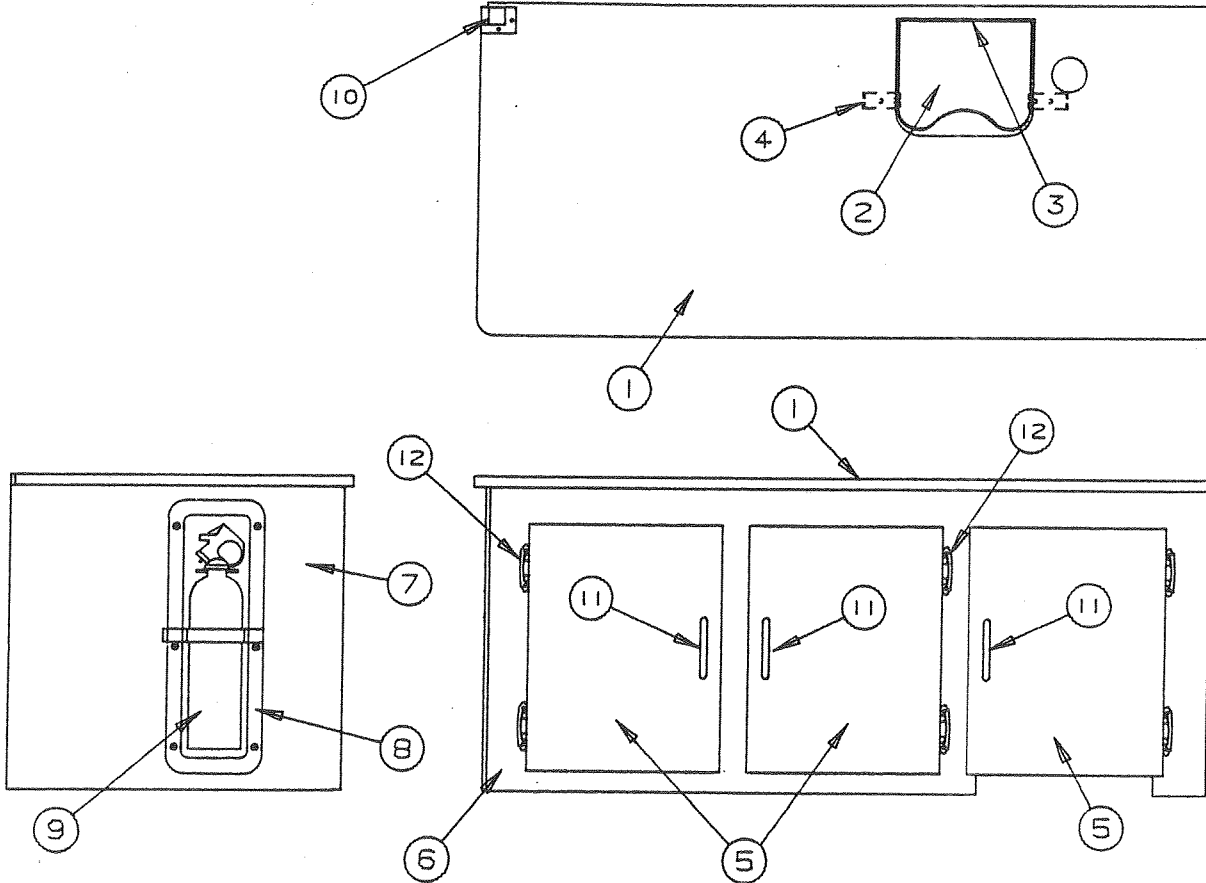
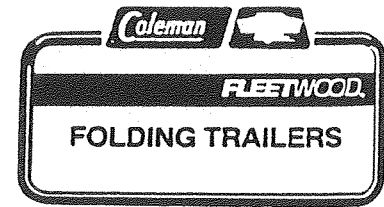
CODE	PART NO.	DESCRIPTION
1	4735-2131	Portable water bottle
2	4714-0241	Barb stem & collar
3	4731-3058	Hose clamp
4	4716-1091	Quick disconnect
5	4747-4791	Adapter x1
6	4747-9661	Clamp x1
7	4739-4158	Nylon clamp
	4747-2558	Expansion rivet x1
8	4060015001	Drain pipe, 1 1/2", 17 3/4" long
9	4746-357	Male adapter
10	4747-965	Drain tube holder x1
	4737-8488	Screw x2
11	4747-9631	Cap & strap x1, 3"
12	4747-9621	Tail piece x1, 4"
13	4734A0161	Water pump
14	4741-9568	Female adapter x1
15	See Page 28 for more details and part numbers.	
16	4741-2398	Barbed nipple x2
17	4741-2388	Barbed tee x1
18	4741A2368	Drain x1
19	4741-2758	Ring clamp x6



DESTINY

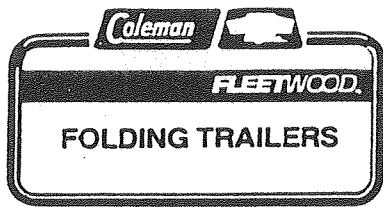
1991

REPAIR PARTS

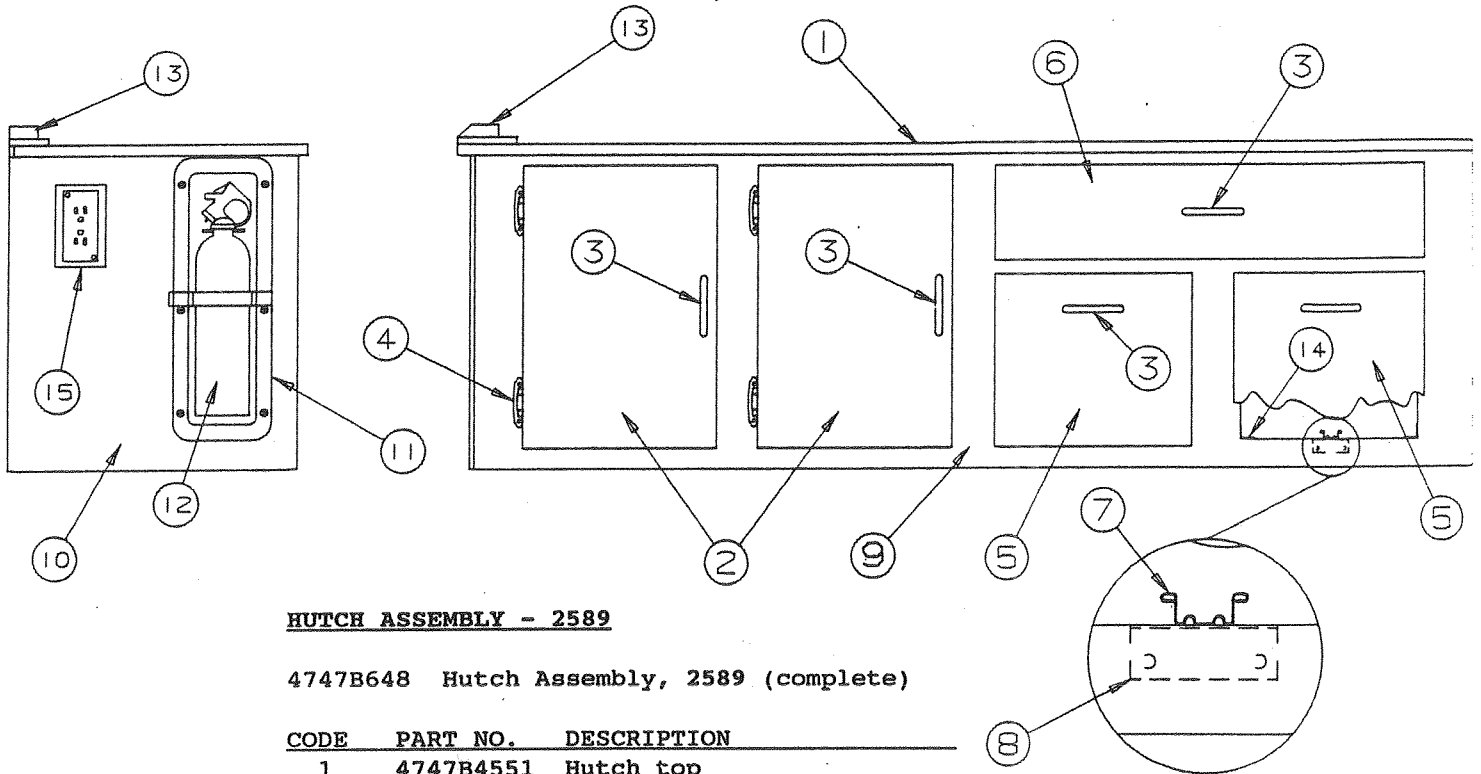
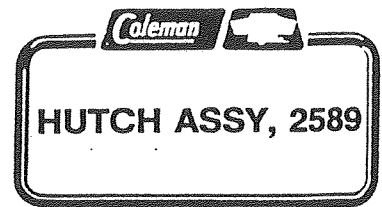


4747-566 Hutch Assembly, 2570 (complete)

CODE	PART NO.	DESCRIPTION
1	4747-3331	Hutch top
	4741-221	Angle x2
	4737-8478	Screw x2
2	4747-4731	Cabinet access door
3	4747-4261	Hinge (plastic)
4	4745-295	Bracket x2
	4737-8478	Screw x2
5	4747A5561	Door assy x3
	4739-0528	Screw x4
6	4747-327	Hutch front
	4749-404	Galley angle x3
	4749-4108	Screw x2
7	4747A3341	Hutch side panel
8	4737B4198	Recessed mount
	4734A1861	Rivet x6, M25
9	4737A5558	Fire extinguisher
10	4747A4781	Bed slide wedge
11	4739C0501	Door pull (plastic)
	4716-055	Screw x2
12	4745A2618	Hinge, spring loaded
	4739-0528	Screw



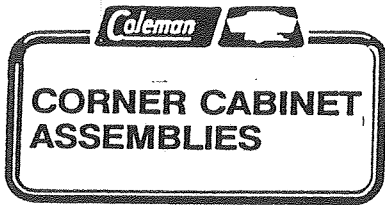
DESTINY 1991 REPAIR PARTS



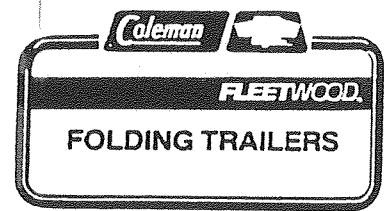
HUTCH ASSEMBLY - 2589

4747B648 Hutch Assembly, 2589 (complete)

CODE	PART NO.	DESCRIPTION
1	4747B4551	Hutch top
	4741-221	Angle x3
	4737-8478	Screw x6
2	4749-8941	Door panel
3	4739C0501	Door pull
	4716-055	Screw
4	4745A2618	Hinge, spring loaded
	4739-0528	Screw
5	4749-6241	Drawer assy x2
6	4749-6251	Drawer assy x1
7	4749-897	Drawer guide x3
	1203-8641	Rivet x1, M50
8	4749-867	Drawer slide mount x3
	4749-4108	Screw x2
9	4747A434	Hutch front
10	4747B975	Hutch side panel
11	4737B4198	Recessed fire mount
	4734A1861	Rivet
12	4737A5558	Fire extinguisher
13	4747A4781	Bed slide wedge x1
14	4749-839	Drawer slide tack
15	4746A3841	Ground fault receptacle with cover
	4746A385	Receptacle box

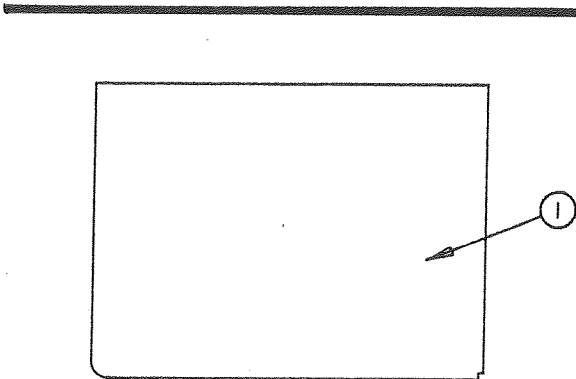
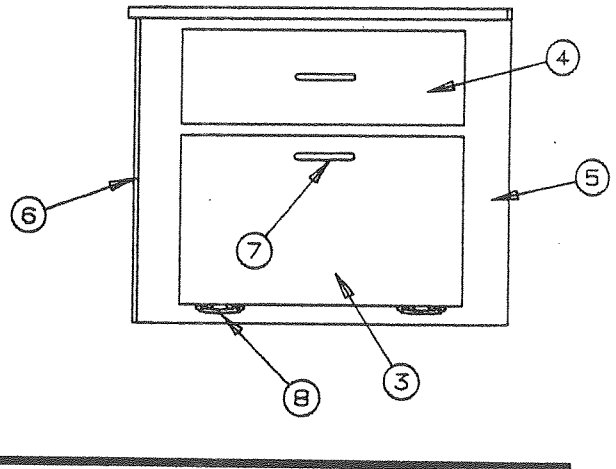
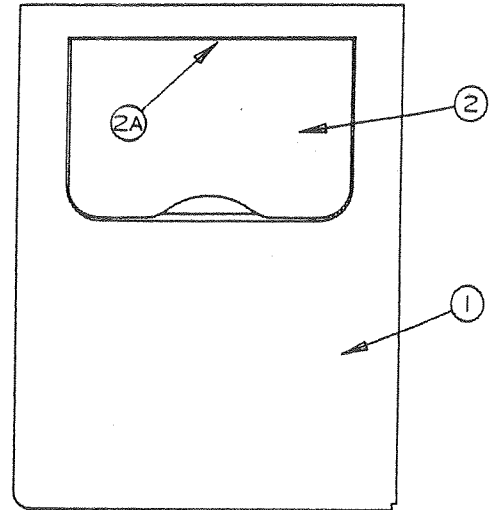


DESTINY 1991 REPAIR PARTS



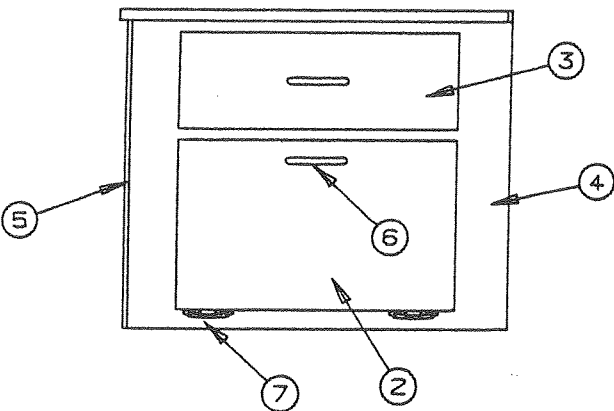
4747B647 CORNER CABINET ASSEMBLY, 2589

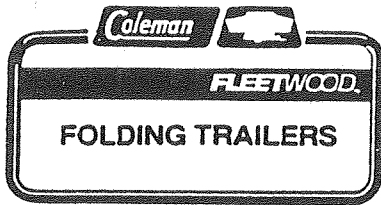
CODE	PART NO.	DESCRIPTION
1	4747A4311	Cabinet top, 2589
	4734-385	Angle x1
	4737-8478	Screw x2
	4741-221	Angle x1
	4737-8478	Screw x2
2	4749A8221	Cabinet access door
2A	4749-823	Access door hinge x1
3	4747A3441	Door panel x1
	4739-0528	Screw x4
4	4747B5821	Drawer assy x1
5	4749-926	Cabinet front
6	4747-432	Cabinet side
7	4739C0501	Door pull (plastic)
	4716-055	Screw x2
8	4745A2618	Hinge, spring loaded
	4749-4118	Screw



4747A567 CORNER CABINET ASSEMBLY, 2570, 2575

CODE	PART NO.	DESCRIPTION
1	4747-3321	Cabinet top, 2570, 2575
	4741-221	Angle x2
	4737-8478	Screw x2
2	4747A3441	Door panel x1
	4739-0528	Screw x4
3	4747B5821	Drawer assy x1
4	4747-328	Cabinet front
5	4747-335	Cabinet side
6	4739C0501	Door pull (plastic)
	4716-055	Screw x2
7	4745A2618	Hinge, spring loaded
	4749-4118	Screw



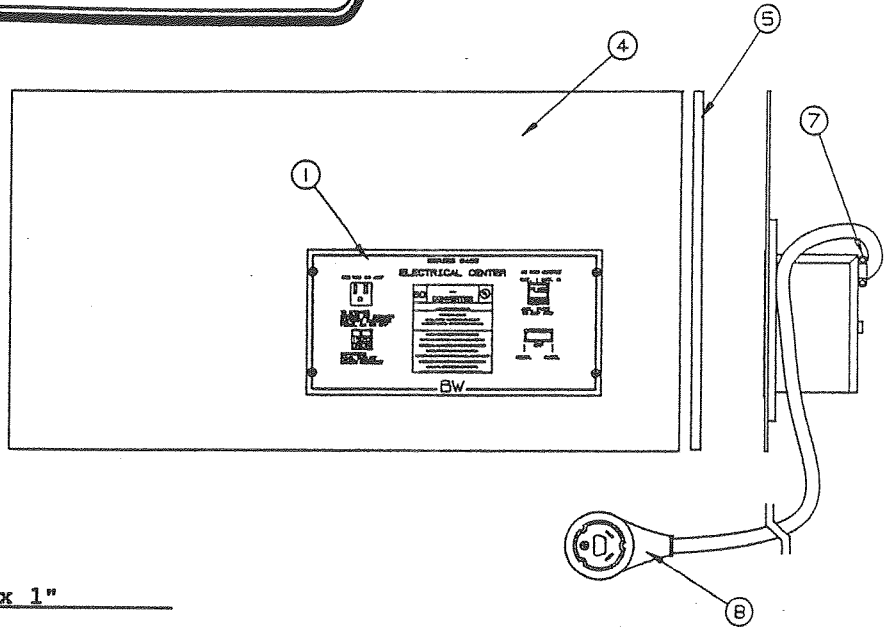


DESTINY 1991 REPAIR PARTS



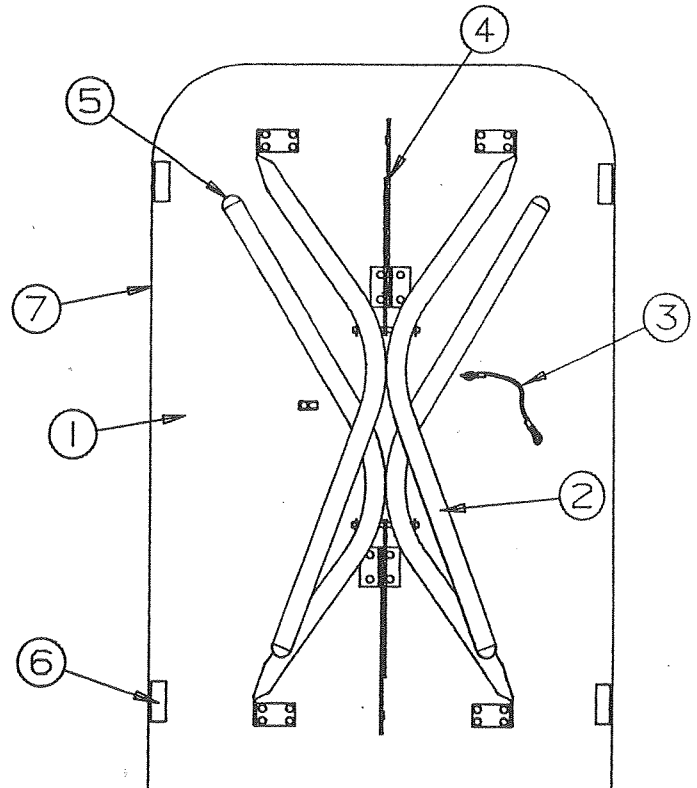
CONVERTER PANEL ASSEMBLIES
2575 LOCATED IN SEAT ASSEMBLY

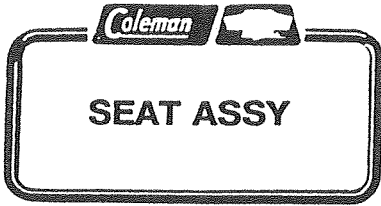
CODE	PART NO.	DESCRIPTION
1	4741B5241	Converter, 6AMP BW
	4737-8488	Screw x4
2	4714-3021	Power cord, 31 ft
	1201-8658	Clamp (plastic)
	4737-8488	Screw x1
3	1216-457	Strain relief, 3/4" x 1"
4	4714D4501	Universal wall panel 48" x 18 1/8" classic oak
5	4720L211	Panel divider x1
6	4735A6721	Extension harness (not shown)
7	1216-451	Strain relief, 3/8" x 2" "Romex" wire 14 AWG (not shown) (Purchase locally)
8	4735B6901	Heater harness (not shown)



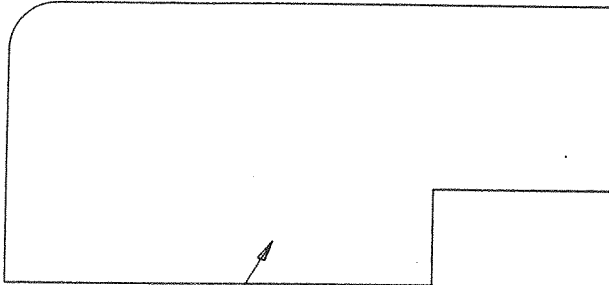
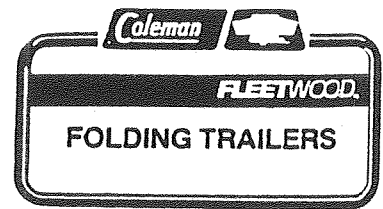
DINETTE TABLE ASSEMBLY

CODE	PART NO.	DESCRIPTION
1	4747-4121	Table top 2570 23 1/2" x 36"
	4748-2761	Table top 2575 30" x 39 3/8"
	4747-4351	Table top 2589 29 1/2" x 36 3/8"
2	4745-5271	Dinette table leg assy (includes hardware to install legs M2 to table top)
3	4720B5951	Table strap assy, M4
4	4720A1501	Lock brace package
	4737-8488	Screw, brace to top
5	4720C3928	Table leg cap
6	4724D2631	Velcro hook
	4724E263	Velcro loop (located on the seat frame)
7	4716-178	T molding 3/4" (sold/foot)

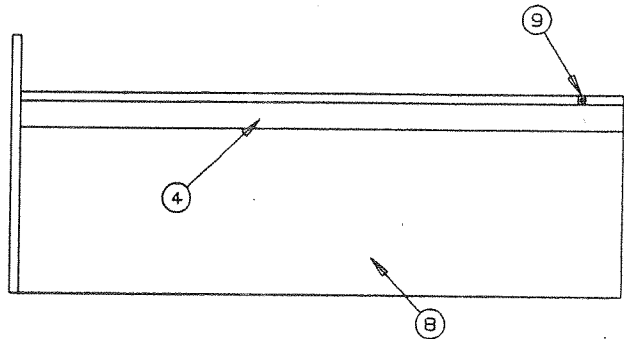
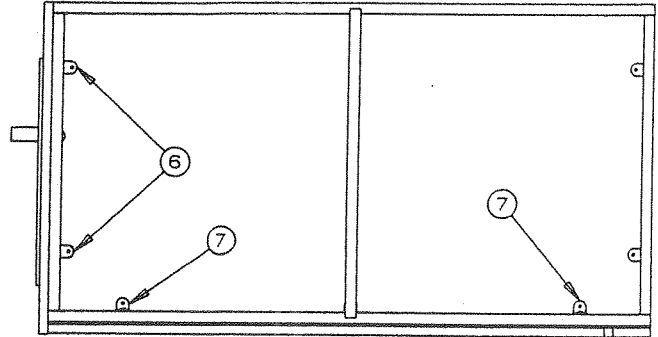
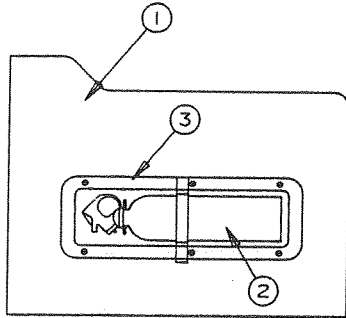




DESTINY 1991 REPAIR PARTS



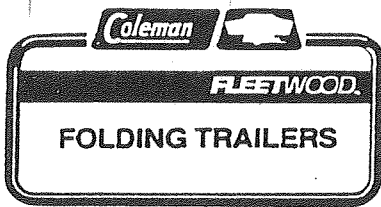
5



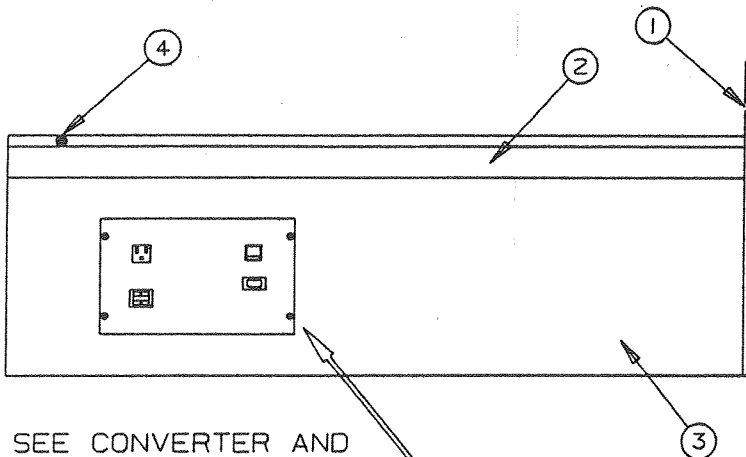
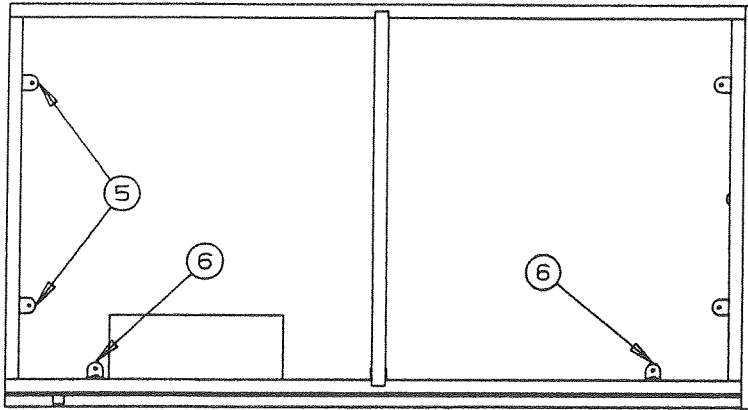
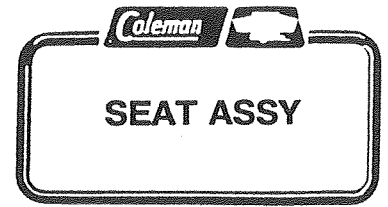
SEAT ASSEMBLIES DESTINY SERIES
CURBSIDE AND LEFT SIDE ASSEMBLIES

- 4747-564 Seat Assembly (Left) 2570
- 4749-665 Seat Assembly (Curbside) 2575
- 4749-634 Seat Assembly (Left) 2589

Code	Part No.	Description
1	4749-9881	Seat end, 2575
	4749-9161	Seat end, 2589
	4749A0961	Seat end, 2570
	4734A385	L bracket
	4737-8478	Screw
2	4737A5558	Fire extinguisher, 2575 only
3	4737B4198	Recessed mount
	4737-8488	Screw x6
4	4749-9871	Table rest, 2575
	4749-9141	Table rest, 2589
	4747A3931	Table rest, 2575
	4737-8488	Screw x6
	1202E0408	Washer x6
5	4747A3461	Seat gazoodi, 2570 only
	4749-9171	Seat gazoodi, 2589 only
	4734A385	L bracket
	4737-8478	Screw
6	4747A385	Seat bracket x4
	4737-8478	Screw
7	4734A385	Bracket
	4737-8478	Screw
8	4714D4501	Universal wall panel (all) (must cut panel to size)
9	4724-2608	Stop button x1
	4737-8488	Screw x1



DESTINY 1991 REPAIR PARTS



SEE CONVERTER AND
COMPONENT PARTS ON
PAGE 33 FOR DETAILS

SEAT ASSEMBLIES DESTINY SERIES ROADSIDE AND RIGHT SIDE ASSEMBLIES

- 4747-565 Seat Assembly (Right) 2570
- 4749-650 Seat Assembly (Roadside) 2575
- 4749-633 Seat Assembly (Right) 2589

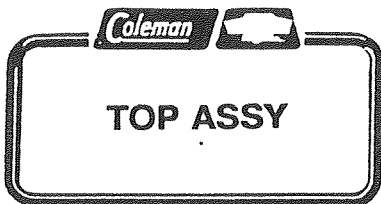
Code	Part No.	Description
1	4749-9891	Seat end, 2575
	4749-9211	Seat end, 2589
	4749A0961	Seat end, 2570
	4734A385	L bracket
	4737-8478	Screw
2	4749-9871	Table rest, 2575
	4749-9141	Table rest, 2589
	4747A3931	Table rest, 2570
	4737-8488	Screw x6
	1202E0408	Washer x6
3	4714D4501	Universal wall panel (all) (must cut panel to size)
4	4724-2608	Stop button x1
	4737-8488	Screw x1
5	4747A385	Seat bracket x4
	4737-8478	Screw
6	4734A385	Bracket
	4737-8478	Screw

CUSHION AND BACKREST ASSEMBLIES

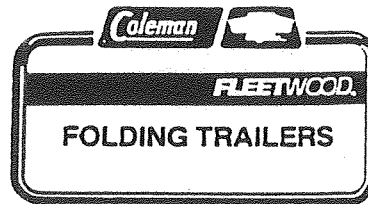
Destiny Series	Cushion		Backrest	
	Assembly	Cover	Assembly	Cover
2570 Roanoke	4747-5801	4716-5801	4747-5811	4715-5811
2575 Roanoke CD	4749-6581	4716-1111	4749-6571	4716-1121
2589 Royale	4749-6351	4716-6351	4747A6651	4715A6651

REFERENCE DIMENSIONS

Model	Cushion			Backrest		
2570	35 3/8"	x 14 3/4"	x 3	35 1/8"	x 13 7/16"	x 3
2575	40 1/4"	x 16 11/16"	x 3	40 1/4"	x 19 1/8"	x 3
2589	35 3/8"	x 14 3/4"	x 3	35 1/8"	x 16 7/16"	x 3



DESTINY 1991 REPAIR PARTS



TOP ASSEMBLIES

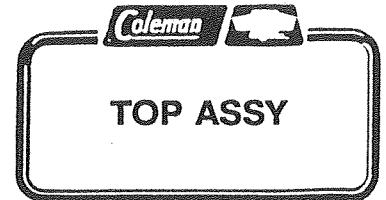
DESTINY SERIES - (COLONIAL WHITE)

4747A5241 - Top assembly 2570, Roanoke
2575, Roanoke CD
4747A5941 Top assembly 2589, Roanoke Royale

CODE	PART NO.	DESCRIPTION
1	4747-1091	Top corner RR/LF
	4747-1101	Top corner LR/RF
	4741B9368	Screw x6 colonial white
	4350000058	Saturated foam tape
	4737B2838	Caulking, colonial white
2	4747A377	Center seam extrusion, 2570, 2575
	4747A998	Center seam extrusion, 2589
	4350000076	Live rubber tape
	4350000058	Saturated foam tape
	4741-3508	Hex screw #8 x 1/2"
	4060000096	Center seam, vinyl screw cover
3	4741B9368	Screw, colonial white
4	4728B2081	Canopy track (all)
	4741B9368	Screw, colonial white
	4350000175	Live rubber tape
	4737B2838	Caulking, colonial white
5	4747A129	Top seal extrusion, x2 (side) 2570, 2575
	4747-977	Top seal extrusion, x2 (side) 2589
	1103E1018	Screw
	4741B9368	Screw, colonial white
6	4741B2131	Top seal extrusion (front/rear) (all)
7	4060000399	Rubber top seal (black) (all)
8	4715B2091	Top strike x4, M4
	4350000029	Putty tape (gray)
	4744-2468	Screw
	1201B6958	Nut
	4739-4198	Screw cap
9	4749-5571	Screen door bracket
	4741B9368	Screw x3, colonial white
	4749-2138	Snap button
	1203-8641	Rivet, x1 M50
10	4741-8841	Screen door retaining bracket x2
	4733-4138	Screw
	4350000005	Velcro hook, 3/4" gray
11	4350000022	Foam tape
12	4734C5211	Screen door cable assy x2, M6
13	4733E4711	Screen door track x2
	4744-4611	Rivet, M25
	1203-9258	Plastic accordion rivet, x4
14	4723A5061	Screen door safety strap x2
15	4730A3548	Stud x2
16	4737-3211	Rubber button (white) x2, M8
17	4350000003	Cloud vinyl tape



DESTINY 1991 REPAIR PARTS



CODE	PART NO.	DESCRIPTION
18	4737F5911	Dome light complete
	4714F0891	Dome light lens
	1103B1028	Screw x4
	4734-2388	Wire connector
19	4741C1131	Tent support bracket x2
	4741B9368	Screw
20	4747-5521	Lift cover x4
	4733-4138	Screw x2
	4716-077	Screw x2
	4741C3558	Hole plug x2
	4747-417	Velcro hook, 3/4" x 7"
21	4741B5431	Lift pocket x4
	1201B6378	Lock nut x8
22	353000097	Canvas track (sold per foot)
	4716-077	Screw
23	353000085	Corner cove (Sold per foot)
	4716B9658	Expansion rivet

