

2594

Arcadia

1991
Pioneer
Supplement

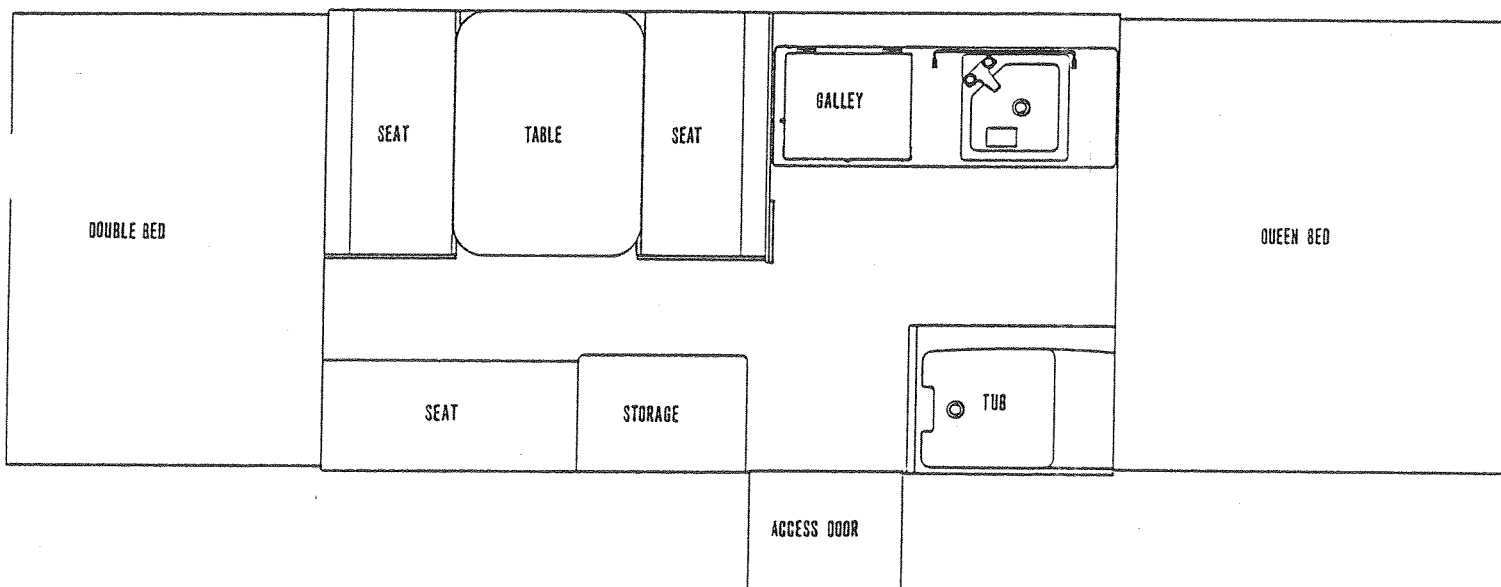


FLEETWOOD.

Folding Trailers Inc.

Due to late production of the 1991 ARCADIA Pioneer Series Folding Trailer the Pioneer Repair Parts List was printed and shipped before production of the ARCADIA! Please insert the supplement pages for the ARCADIA in your 1991 Pioneer Series Parts List Catalog.

For all other parts, please refer to the appropriate page in your 1991 Pioneer Series Catalog No. CT5K.



Arcadia

1991
Pioneer
Supplement



FLEETWOOD.

Folding Trailers Inc.

1991 MODELS

<u>Model</u>	<u>B/M (Blind)</u>	<u>Size</u>
Pioneer Series		
2594 Arcadia	4735G794	11'

Note:

Body color	Colonial White
Top color	Colonial White
Woodgrain	Classic Oak
Countertop	Gray Linen
Tent	Evolution - Grey
	Vinyl Outside - Pewter
	Vinyl Inside - White

Arcadia

1991
Pioneer
Supplement



FLEETWOOD.

Folding Trailers Inc.

DESCRIPTION	PAGE NUMBER
Access door assembly	See Page 13, Pioneer Series
Axle assy and components	See Page 7, Pioneer Series
Backrest assy and covers	1A Arcadia Supplement
Bed assemblies	See Page 16, Pioneer Series
Bed extensions	See Page 16, Pioneer Series Model 2593
Body panel front assy	See Page 9, Pioneer Series
Body panel rear assy	See Page 10, Pioneer Series
Body panel right rear (curbside)	11A Arcadia Supplement
Body panel right front (curbside)	11A Arcadia Supplement
Body panel left side (roadside)	11A Arcadia Supplement
Converter and components	5A Arcadia Supplement
Cooler	See Page 4, Pioneer Series
Crank and sprocket assembly	See Page 5, Pioneer Series
Crank Handle	See Page 3, 13, Pioneer Series
Curtains	See Page 18, Pioneer Series Model 2593
Cushions and covers	1A Arcadia Supplement
Electric brakes	See Page 8, Pioneer Series
Evolution III assemblies	11A Arcadia Supplement
Fire Extinguisher	See Page 29, Pioneer Series
Frame assy and components	See Page 3, 4, Pioneer Series
Gas system	See Page 29, Pioneer Series
Lift trim & miter covers	See Page 20, Pioneer Series
Lift assemblies	See Page 3, 5, Pioneer Series
Lower galley assembly	4A Arcadia Supplement
Mattress assemblies	See Page 17, Pioneer Series Model 2593
Parts package	See Page 4, Pioneer Series
Screen door assy and components	See Page 30, Pioneer Series
Seat frame and components	6A Arcadia Supplement
Spring attachments	See Page 7, Pioneer Series Model 2593
Table assy and components	9A Arcadia Supplement
Tent support assy	See Page 20, Pioneer Series
Tire & rim	See Page 3, Pioneer Series, Model 2593
Top Assembly	See Page 31, 32, Pioneer Series, Model 2593
Top Assembly	Also See Page 10A Miscellaneous Parts
Upper galley assembly	3A Arcadia Supplement
Water tank	2A Arcadia Supplement
Water system	2A Arcadia Supplement
Whiffletree assembly	See Page 5, Pioneer Series, Model 2593
Floor plan	1A Arcadia Supplement
Water heater	2A Arcadia Supplement
Electric water pump	2A Arcadia Supplement
Shower cabinet assy	8A Arcadia Supplement
Bath tub	8A Arcadia Supplement
Shower curtain	8A Arcadia Supplement
Shower curtain rod assy	9A Arcadia Supplement

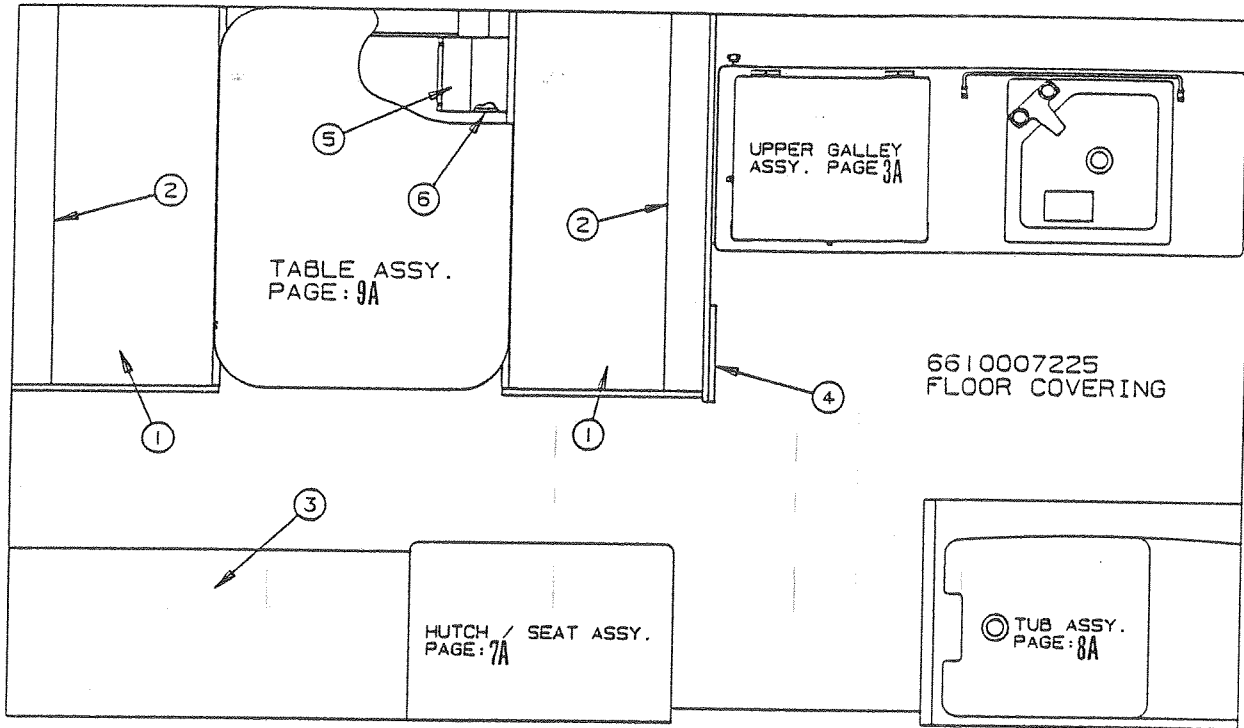
Arcadia

1991
Pioneer
Supplement



FLEETWOOD.

Folding Trailers Inc.



2594 FLOOR PLAN, CUSHION & BACKREST

CODE	PART NO.	DESCRIPTION
1	4748-5491	Cushion assy x2
	4716-5491	Cushion cover
2	4744H5421	Backrest assy x2
	4714G9311	Backrest cover
3	4748-5501	Hutch seat cushion assy
	4716-5501	Hutch seat cushion cover
4	4748-8191	Galley support board
	1103E1018	Screw x2
5	4748-803	Wheel well cover
	4749-4108	Screw x2
	4741B9658	Rivet x2, M25
6	4748-804	Wheel well cover, front (wood)

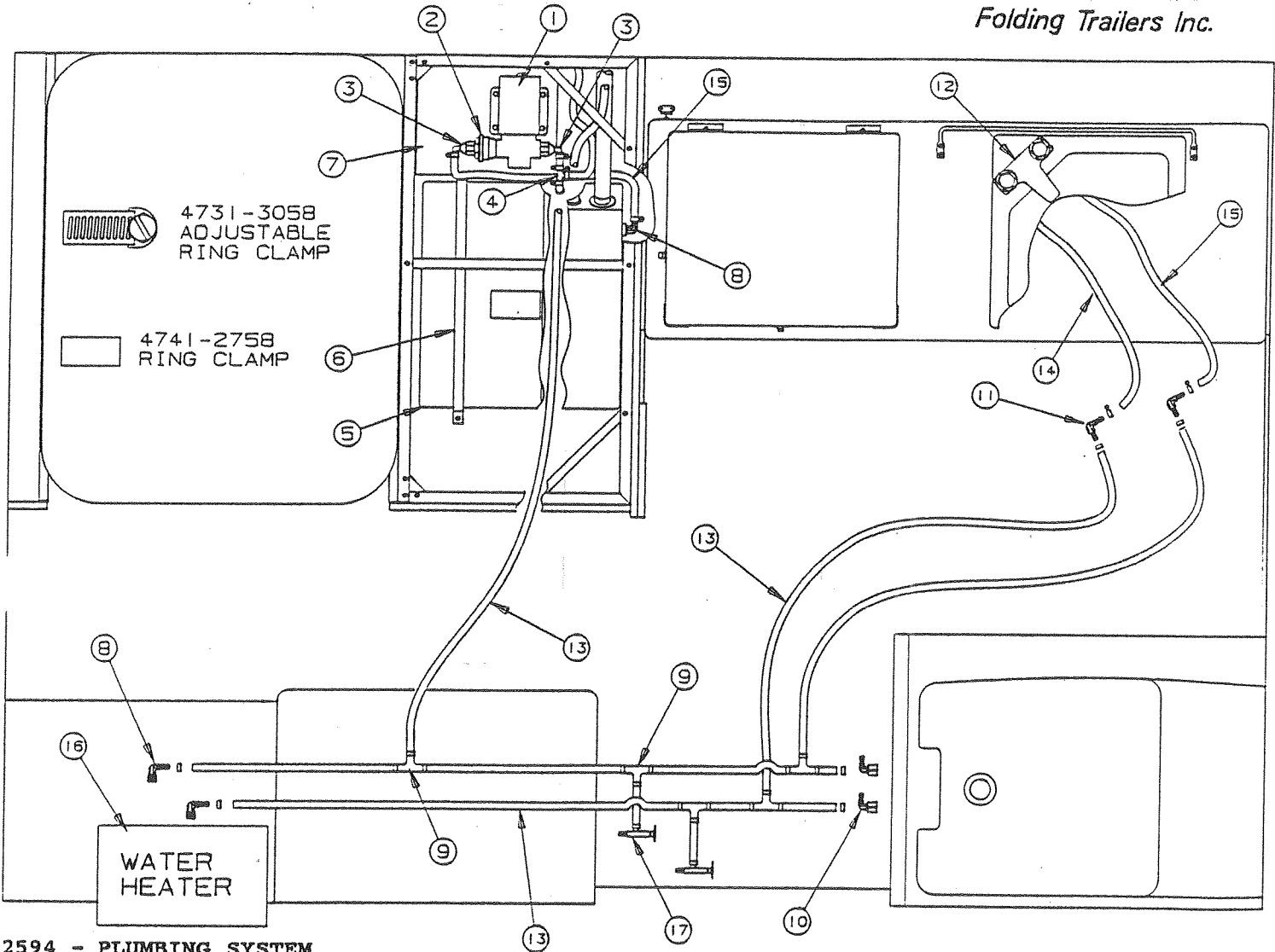
Arcadia

1991
Pioneer
Supplement



FLEETWOOD.

Folding Trailers Inc.



2594 - PLUMBING SYSTEM

CODE	PART NO.	DESCRIPTION
1	4741B5571	Electric water pump
2	4747A8311	Filter x1
3	4741-9068	Swivel elbow x2
4	1218-1508	Barbed tee x1
5	4733G1411	Water tank
	4732A4561	Hose adapter (not shown) (located bottom of tank)
	4714-038	High pressure hose
	4741A2368	Drain tee
5	4400075001	Strap x2
7	4749-615	Pump shelf assy
8	4741-2378	Elbow x3
9	4741-2388	Barbed tee x4

10	4741-2351	Swivel elbow x2
11	4741-2398	Barbed elbow x2
12	4745A2741	Faucet
13	4060050001	3/8" ID rigid tubing grey
14	4714-338	High pressure hose (hot water) 3/8"
15	4714-038	High pressure hose (cold water) 3/8"
16	4741-5531	Water heater
17	4741A2368	Drain tee x2

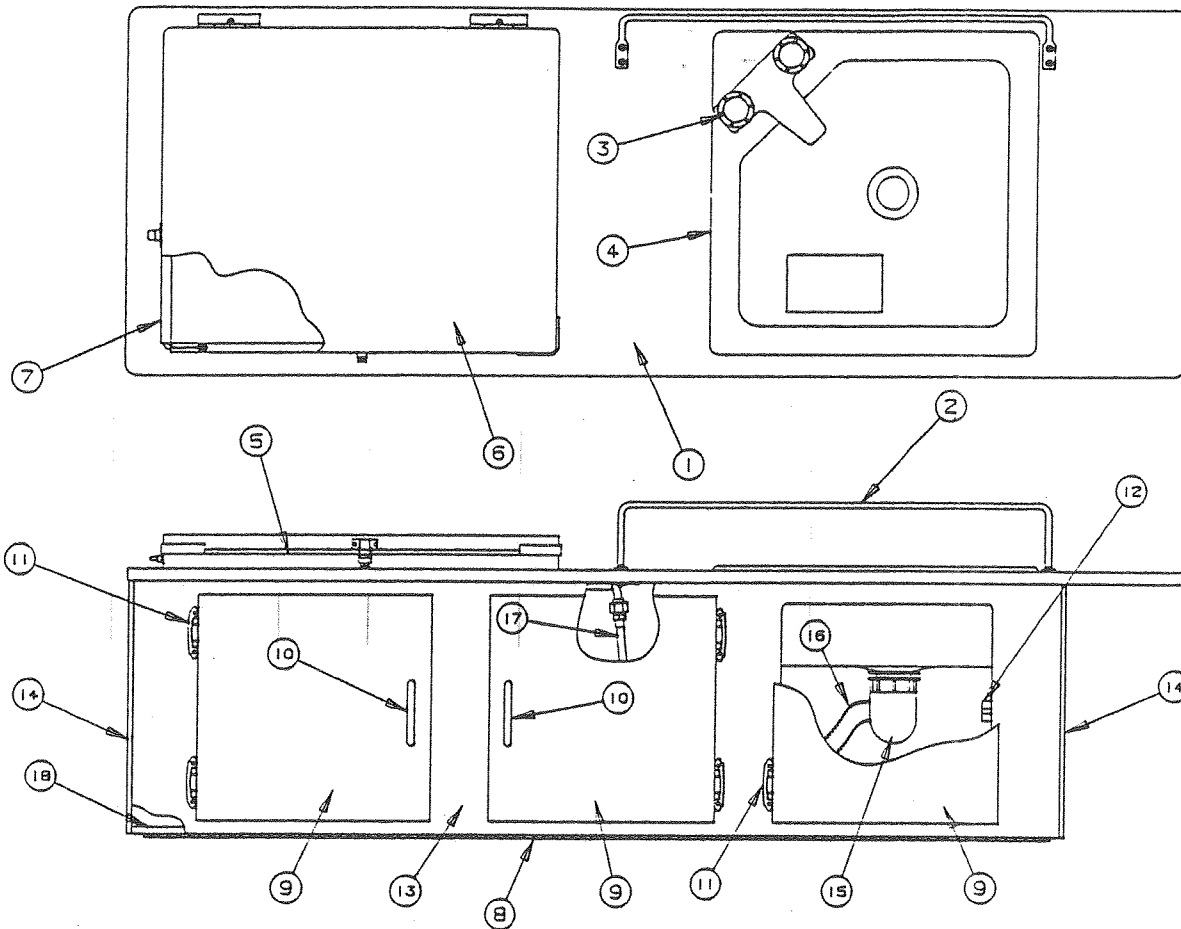
Arcadia

1991
Pioneer
Supplement



FLEETWOOD

Folding Trailers Inc.



UPPER GALLEY ASSEMBLIES - 2594

SEE PIONEER PARTS LISTS FOR MISCELLANEOUS REPAIR PARTS:

CODE	PART NO.	DESCRIPTION
1	4748-4261	Upper Galley top, 2594
	4749-404	Angle bracket x6
	4737-8478	Screw
2	4748-4211	Towel rack x1
	4716-052	Bolt x4
	1201B6958	Nut x4
3	4745A2741	Faucet
	4716-2341	Faucet nut, barb & seal pkg
4	4745-2801	Sink
	4350000029	Putty tape (sold per foot)
	4730D3151	Basket & strainer
	4714B0661	Crumb cup
5	4744C2401	Cook top stove, 3 burner
6	4741D6031	Stove cover
7	4739G2931	Stove box

8	4744A0961	Galley hinge
	4744-4608	Rivet (hinge to upper galley bottom)
	1202B0268	Washer
	4716-075	Screw x8 (hinge to lower galley top)
9	4739H0361	Door panel
10	4739C0501	Door pull (plastic)
	1022B081	Screw x2
11	4739A0518	Hinge x2
	4749-4118	Screw x4
12	4744A5681	Latch bracket assy
	4737-8478	Screw x2
13	4748-422	Upper galley front
14	4748-423	Upper galley side x2
15	4734A0671	Drain trap, M2
	4739-1088	Hose clamp
16	4714A277	Drain hose (sold/foot)
17	4730A3431	Gas hose (rubber)
	4748-526	Gas line assy (copper)
18	4748-425	Upper galley bottom

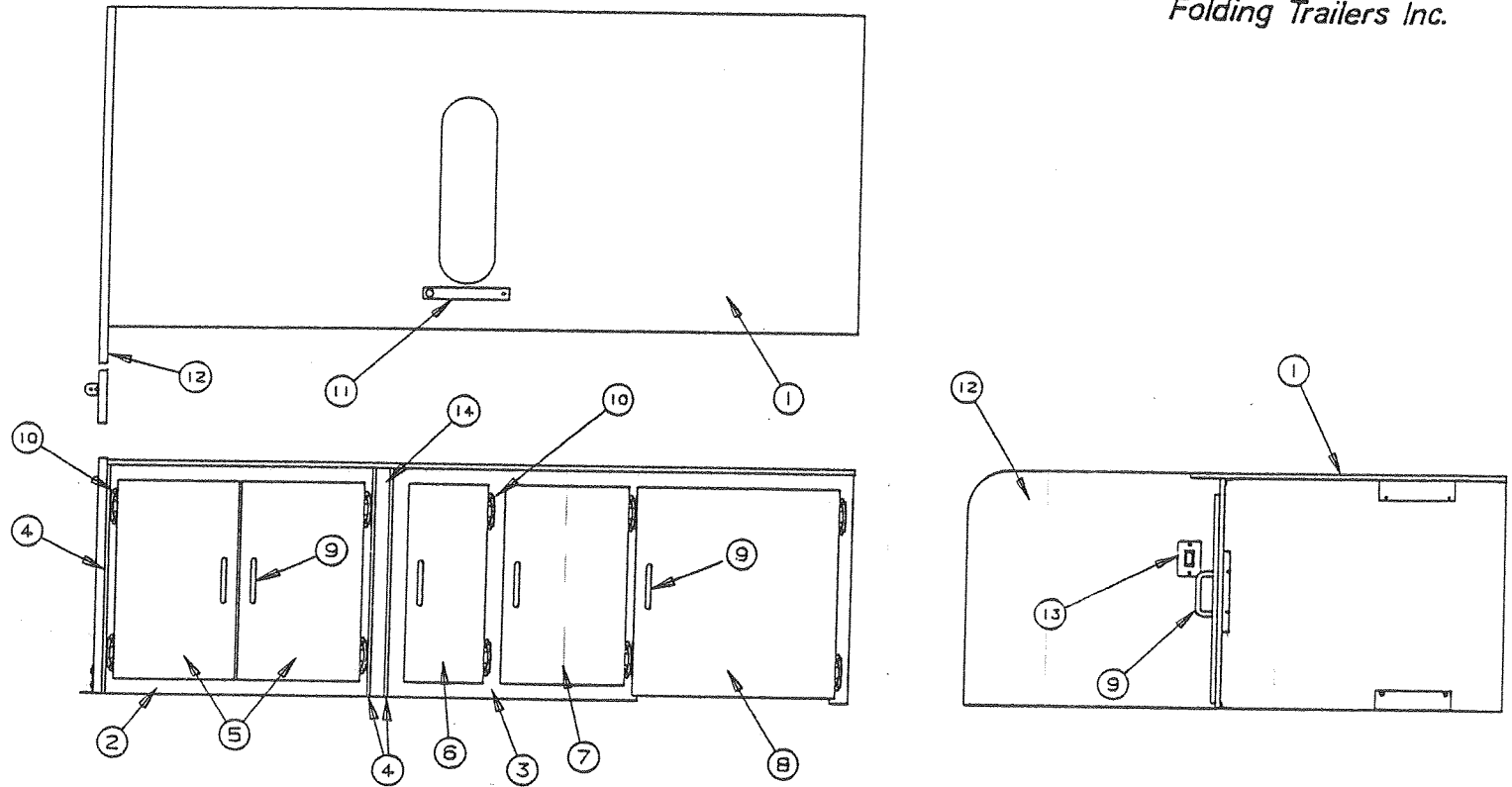
Arcadia

1991
Pioneer
Supplement



FLEETWOOD.

Folding Trailers Inc.



LOWER GALLEY ASSEMBLIES - 2594 (4748-528)

CODE	PART NO.	DESCRIPTION
1	4748-4451	Lower galley top, 2594
	4741-221	Angle (hold top to front)
	4749-4108	Screw
2	4749-2408	Galley front (left)
3	4748-444	Galley front (right)
4	4749-238	Galley trim x3
5	4748-4521	Door panel x2
6	4748-4531	Door panel x1
7	4749-8601	Door panel x1
8	4748-4551	Door panel x1
9	4739C0501	Door pull (plastic)
	1022B081	Screw x2
10	4745B2618	Self closing hinge x10
	4749-4598	Screw
11	4724-5951	Tie down x1
	4716-075	Screw x1
	4730A3548	Stud w/screw x1
12	4748-4461	Seat qazoodi
13	4733A4981	Rocker switch
	4738-3088	Screw x2
14	4748-449	Lower galley trim

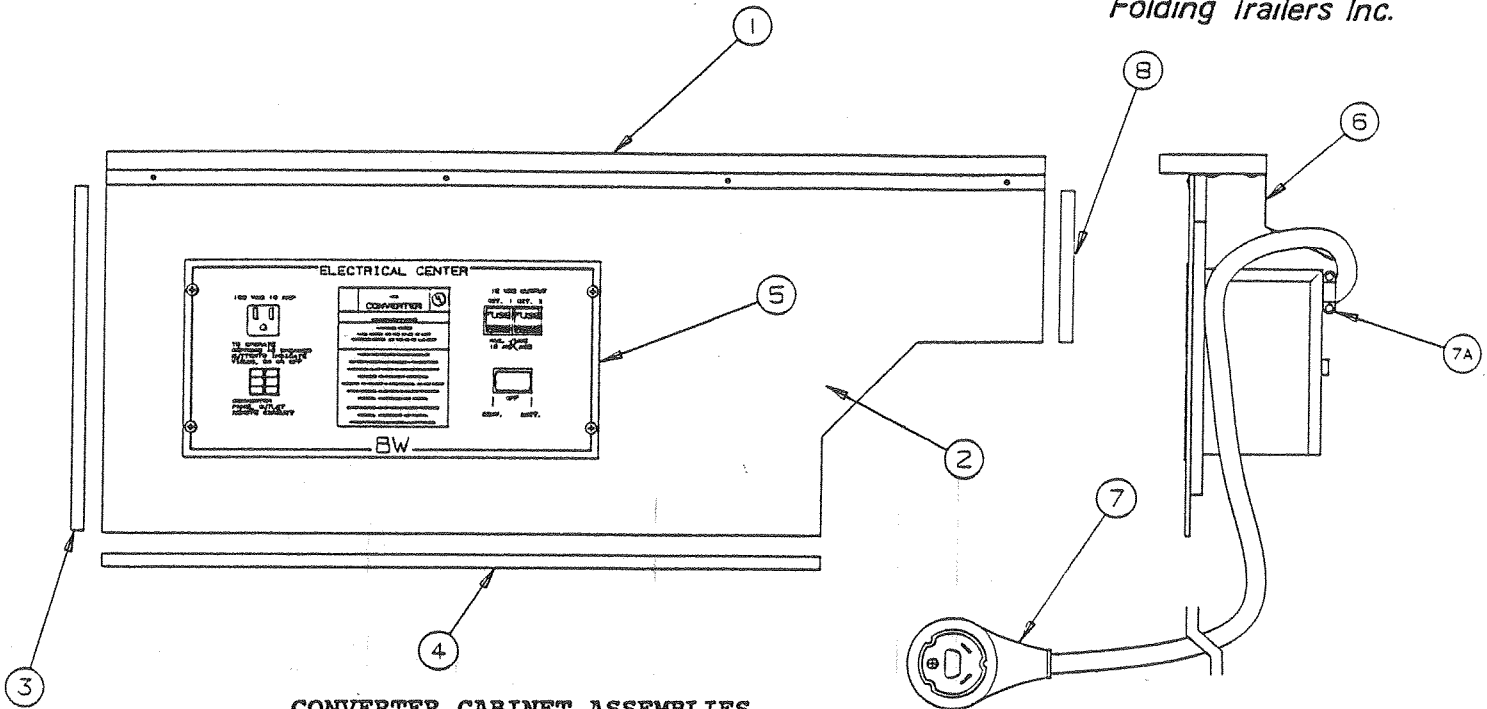
Arcadia

1991
Pioneer
Supplement



FLEETWOOD.

Folding Trailers Inc.



CONVERTER CABINET ASSEMBLIES

CODE	PART NO.	DESCRIPTION
1	4744D0231	Converter cabinet top, 2594
	4744A024	Panel angle, 2594
	1103B0806	Screw, (angle to cabinet top) x4
	4738-3088	Screw, (angle to front panel) x4
2	4714D4501	Universal wall panel (48 x 18 1/8") Classic Oak
3	4741C8971	Corner divider x2
4	4741B8961	Toe molding
5	4745A1571	Converter, 15 AMP B&W
	4737-8488	Screw x4
6	4744-235	Converter baffle x1
	1103B0806	Screw x2
7	4744-3101	Power cord, 28 ft
	1201-8658	Clamp
	4737-8488	Screw x1
7A	1216-457	Strain relief 3/4" x 1"
8	4714C2911	Panel divider, M5
9	4735B6901	Heater harness (not shown)
10	4735B6731	Extension harness 2594 (not shown)
11	1216-451	Stain relief 3/8" x 2" (not shown) "Romex" wire 14 AWG (Purchase locally)

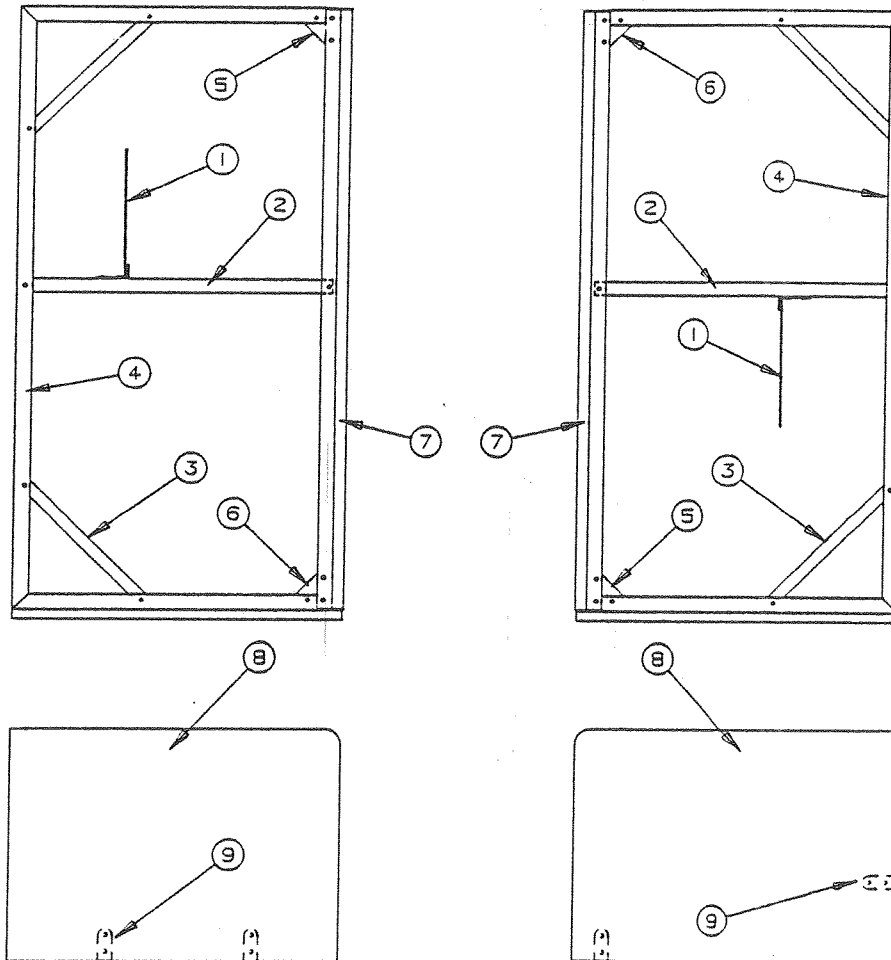
Arcadia

1991
Pioneer
Supplement



FLEETWOOD.

Folding Trailers Inc.



SEAT FRAME ASSEMBLIES

CODE	PART NO.	DESCRIPTION
1	4744-6961	Support arm assy
	4733A0601	Rivet x2, M25
2	4748-458	Cushion support
	4733A0601	Rivet x2, M25
3	4745-299	Seat cushion support
	4733A0601	Rivet x2, M25
4	4748-457	Seat support
5	4745-297	Seat bracket
6	4745-298	Seat bracket
7	4744-971	Table rest
8	4748-4601	Seat end
9	4745-295	Bracket x2
	4737-8478	Screw

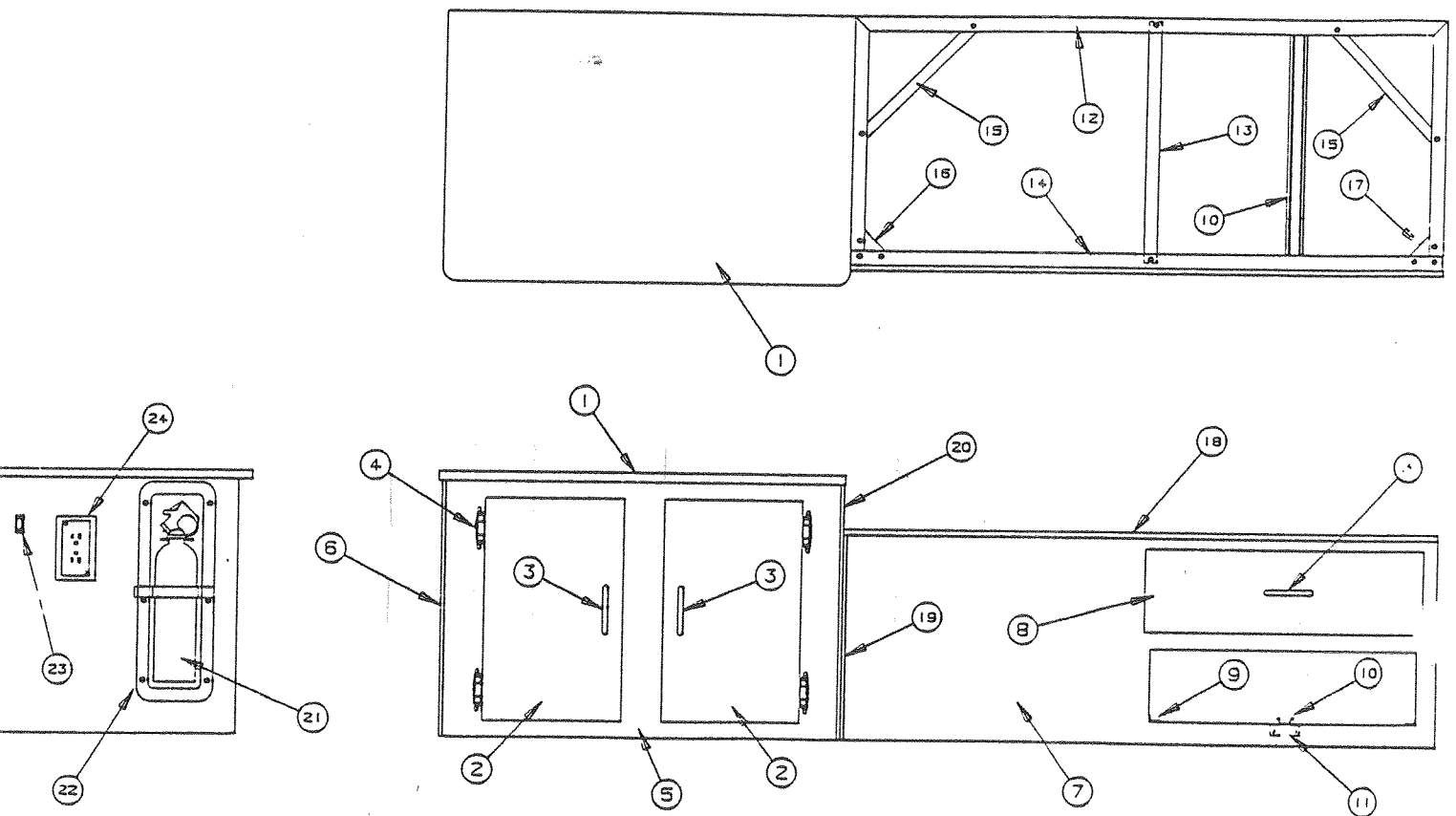
Arcadia

1991
Pioneer
Supplement



FLEETWOOD

Folding Trailers Inc.



2594 HUTCH/SEAT ASSEMBLY (4748-529)

CODE	PART NO.	DESCRIPTION
1	4748-4161	Hutch top
2	4749-8601	Door panel x2
3	4739C0501	Door pull (plastic)
	1022B081	Screw x2
4	4745B2618	Self closing hinge x4
	4749-4598	Screw
5	4748-414	Hutch front
6	4748-4181	Hutch side panel
7	4748-413	Seat front
8	4748-5341	Drawer assembly x2
9	4749-8398	Drawer slide tack (plastic)
10	4748-472	Drawer guide x2
	4749-836	Rear socket x2 (plastic)
	4737-8488	Screw x2
11	4749-867	Drawer guide mount angle x2
	4749-4108	Screw x2
12	4748-419	Seat wrap-around
13	4748-451	Cushion support
	4733A0601	Rivet x2, M25

14	4748-450	Seat front angle
15	4745-299	Corner support x2
	4733A0601	Rivet x2, M25
16	4745-298	Seat bracket, left
	4733A0601	Rivet x2, M25
17	4745-297	Seat bracket, right
	4733A0601	Rivet x2, M25
18	4060095602	Plastic "U" channel (sold
19	4748-417	Cabinet trim (short)
20	4749-238	Cabinet trim (long)
21	4737A5558	Fire extinguisher
22	4737B4198	Recessed mount
	4734A1861	Rivet x6, M25
23	4733B4981	Rocker switch (access door light)
24	4746A3841	Receptacle w/cover

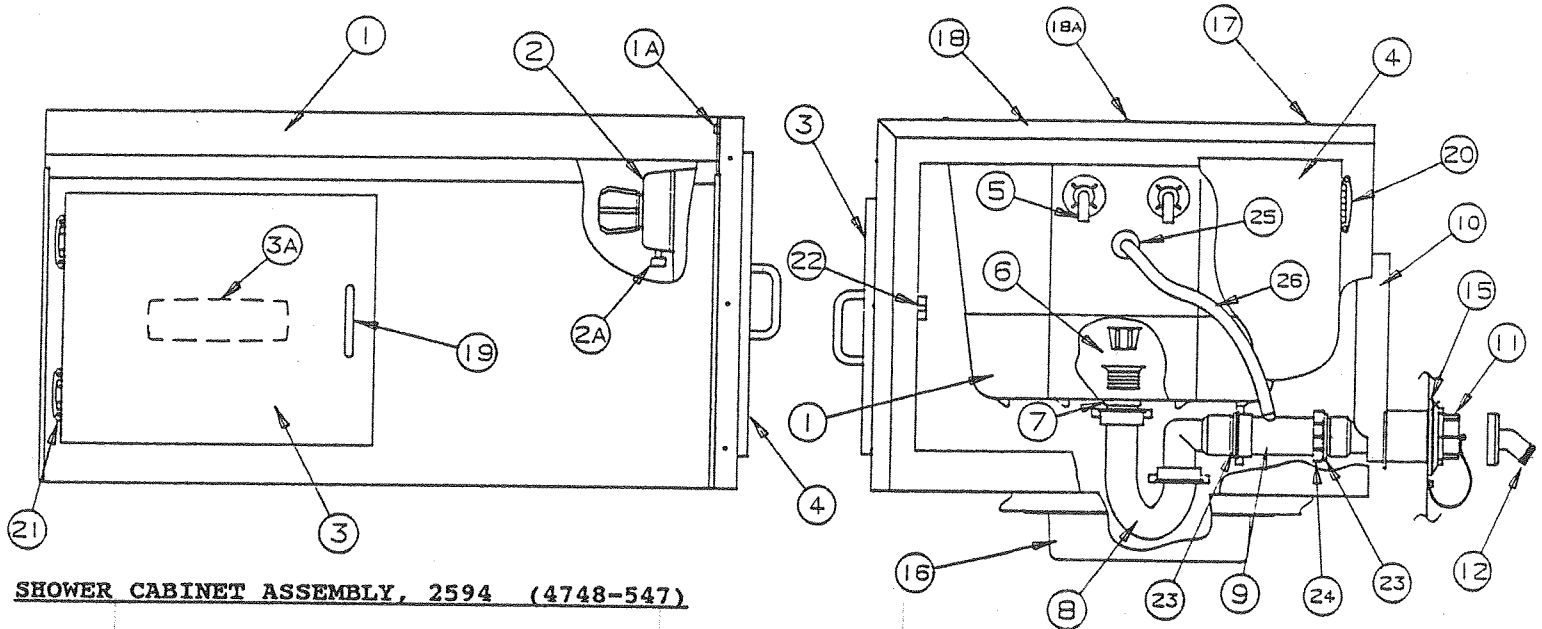
Arcadia

1991
Pioneer
Supplement



FLEETWOOD.

Folding Trailers Inc.



SHOWER CABINET ASSEMBLY, 2594 (4748-547)

CODE	PART NO.	DESCRIPTION
1	4741-2221	Bathtub
	4733-4138	Tek screw
1A	4739A2908	Screw cap, white x14
	4716-077	Screw x14
	4739-2918	Screw cap washer x14
2	4741A2071	Faucet assy
2A	4716-0848	Shower hose connector
3	4737K5171	Door panel x1
	4738-3088	Screw x4
3A	4741-4241	Toilet tissue holder
	4738-3088	Screw x2
4	4748-4761	Door panel
5	4741-2351	Swivel street elbow x2
6	4746-1821	Basket strainer
7	4737A8328	Plastic nut 1-1/2" x1
8	4741B9328	"P" trap
9	4748-824	Overflow tail w/slipnut
10	4741-9301	Vent system
11	4714-2861	Cap & strap package
	4741-8218	Screw (strap to panel)
12	4737-9138	Tub drain adapter x1 (Reduces 1- 1/2" drain outlet to a 3/4" garden hose connection)

13	4746-3761	Shower head
14	4741A2051	Shower hose
15	4749-4131	Tub drain gasket x1
16	4737-9258	Plastic base x1
	4737-8488	Screw x2
17	4724C264	Velcro hook
	4738-3088	Screw x1
18	4741C180	Edge cap
18A	4738-3088	Screw
19	4739B0508	Door pull
	4716-055	Screw x2
20	4739A0518	Hinge x1
	4749-4118	Screw x3 (screw hinge to door panel)
21	4745B2618	Hinge, spring loaded
	4749-4118	Screw x3 (screw hinge to door panel)
22	4733-6391	Latch & strike pkg.
23	4748-823	Male adapter 1 1/2" x2
24	4748-822	Slip joint nut x1 1 1/2"
25	4748-833	Tub grommet x1
	4748-878	Spring grip x1
26	4060087538	Flexible tubing 12" length
27	4724-7111	Shower curtain (not shown)

Arcadia

1991
Pioneer
Supplement

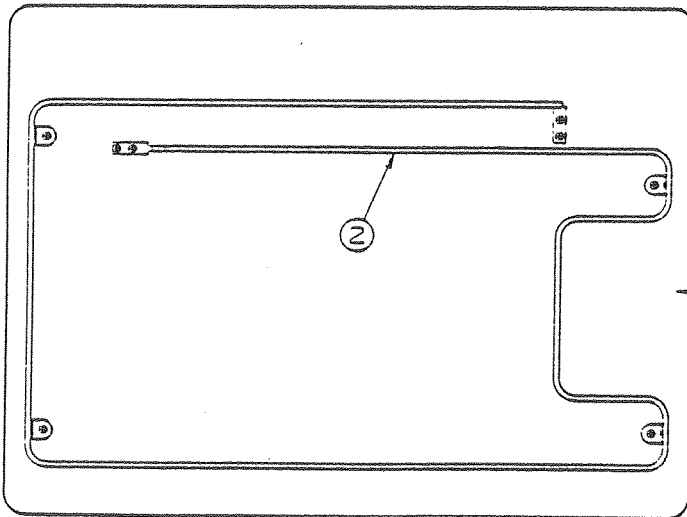
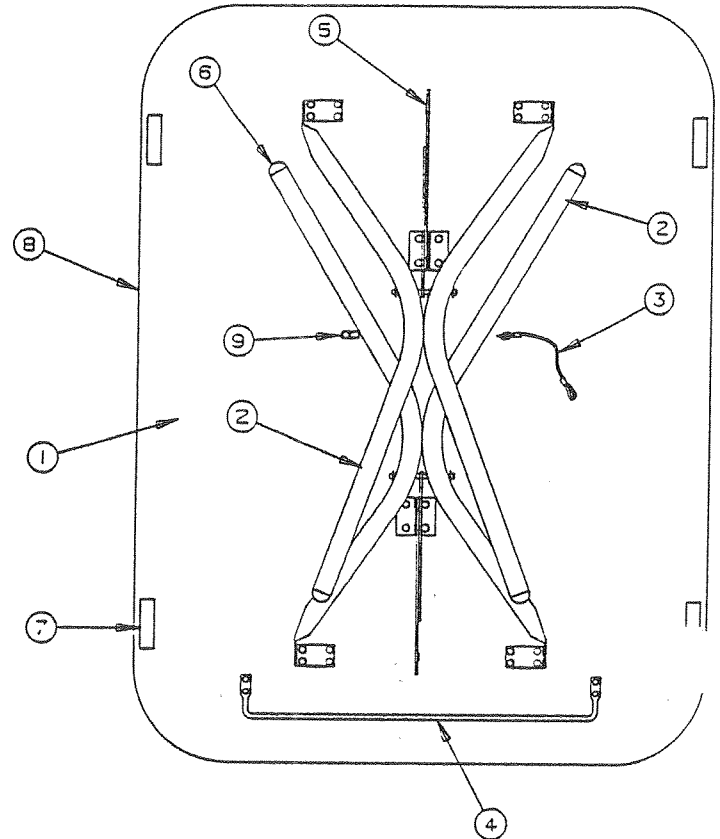


FLEETWOOD.

Folding Trailers Inc.

DINETTE TABLE ASSEMBLY

CODE	PART NO.	DESCRIPTION
1	4716-4521	Table top 2594
2	4745-5271	Dinette table leg assy (includes hardware to install legs M2 to table top)
3	4720B5951	Table leg strap assy, M4
4	4734C0841	Towel rack, 22 1/4"
	4737-8488	Screw, rack to top
5	4720A1501	Lock brace package
	4737-8488	Screw, brace to top
6	4720C3928	Table leg cap
7	4724D2631	Velcro hook
	4724E263	Velcro loop (located on the seat frame)
8	4716-178	T molding (sold/foot)
9	4720D4021	Lashing hook M6
	4737-8488	Screw x1



SHOWER CURTAIN ROD ASSY (4748-5411 COMPLETE)

CODE	PART NO.	DESCRIPTION
1	4748-461	Back board (grey linen)
2	4748A459	Shower curtain rod
	4737-8478	Screw x8

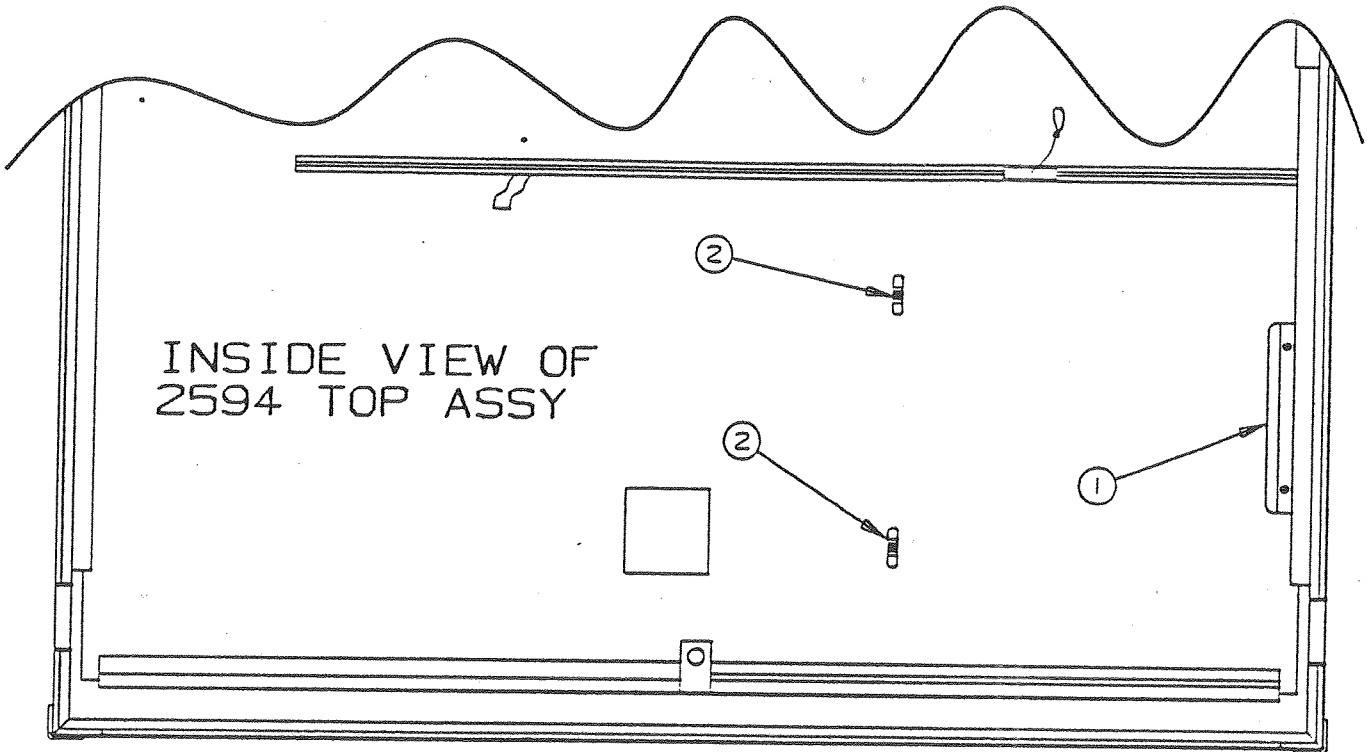
Arcadia

1991
Pioneer
Supplement



FLEETWOOD

Folding Trailers Inc.



NOTE: When ordering a top for 2594 Arcadia, you will order part number 4716-9931 Top Assy. Code 1 and 2 will not be installed, please order if necessary.

Miscellaneous Top Assembly Parts - 2594 Arcadia

CODE	PART NO.	DESCRIPTION
1	4748-4731	Shower curtain rod assy holder
	4744-4611	Expansion rivet x2, M25
2	4748-4621	Twisty fastener x2
	4744-4611	Expansion rivets x1, M25

Arcadia

1991
Pioneer
Supplement



FLEETWOOD

Folding Trailers Inc.

BODY PANELS AND TRIM TAPE, FOR 2594 ARCADIA
(All panels shipped less trim tape and decals)

	<u>2594 ARCADIA</u>	<u>PIONEER SERIES</u>
Front Body Panel	4737E8601	
Body rail	4716-1801	
Side marker lights	4714E0841	
Socket & harness	4733G1311	
Frame gasket	4737B4458	
Safety latch pkg	4730A1221	
<hr/>		
Rear Body Panel	4737D8621	
Body rail	4737B8811	
Side marker lights	4714E0851	
Taillight assy's	4749-4321	
Taillight lens only	4716-1041	
Frame gasket	4737B4458	
License plate light	4739B4311	
Bumper pad assy	4744A5571	
<hr/>		
Left Side Body Panel (Roadside)	4748-4341	
Body rail	4748-436	
Trim tape	4716C514	(12 Ft required)
Coleman logo	4745B1908	
Fleetwood decal	4749A8708	
Water decal	4735C0988	
Water tank spout	4731C1711	
<hr/>		
Right Rear Body Panel (Curbside)	4748-4381	
Body rail	4744-063	
Trim tape	4716C514	(6 Ft. required)
Coleman logo	4745B1908	
Fleetwood decal	4749A8708	
<hr/>		
Right Front Body Panel (Curbside)	4748-4371	
Body rail	4744A065	
Arcadia name decal	4748-4748	
Coleman logo w/camper	4749-9408	
Trim tape	4716C514	(4 Ft. required)
<hr/>		
NOTE: See Page 14 - 1991 Pioneer Parts List for Component Parts		
<hr/>		
NOTE: See Page 11 - 1991 Pioneer Parts List for Component Parts		
<hr/>		
NOTE: See Page 12 - 1991 Pioneer Parts List for Component Parts		
<hr/>		

EVOLUTION III ASSEMBLIES

4724F7481	Door seal window
4724F7491	Large window
4724F7681	Small Window
4724G7471	Front Queen Boot
4724G7461	Rear Boot

See Page 19, Pioneer Series for more
components