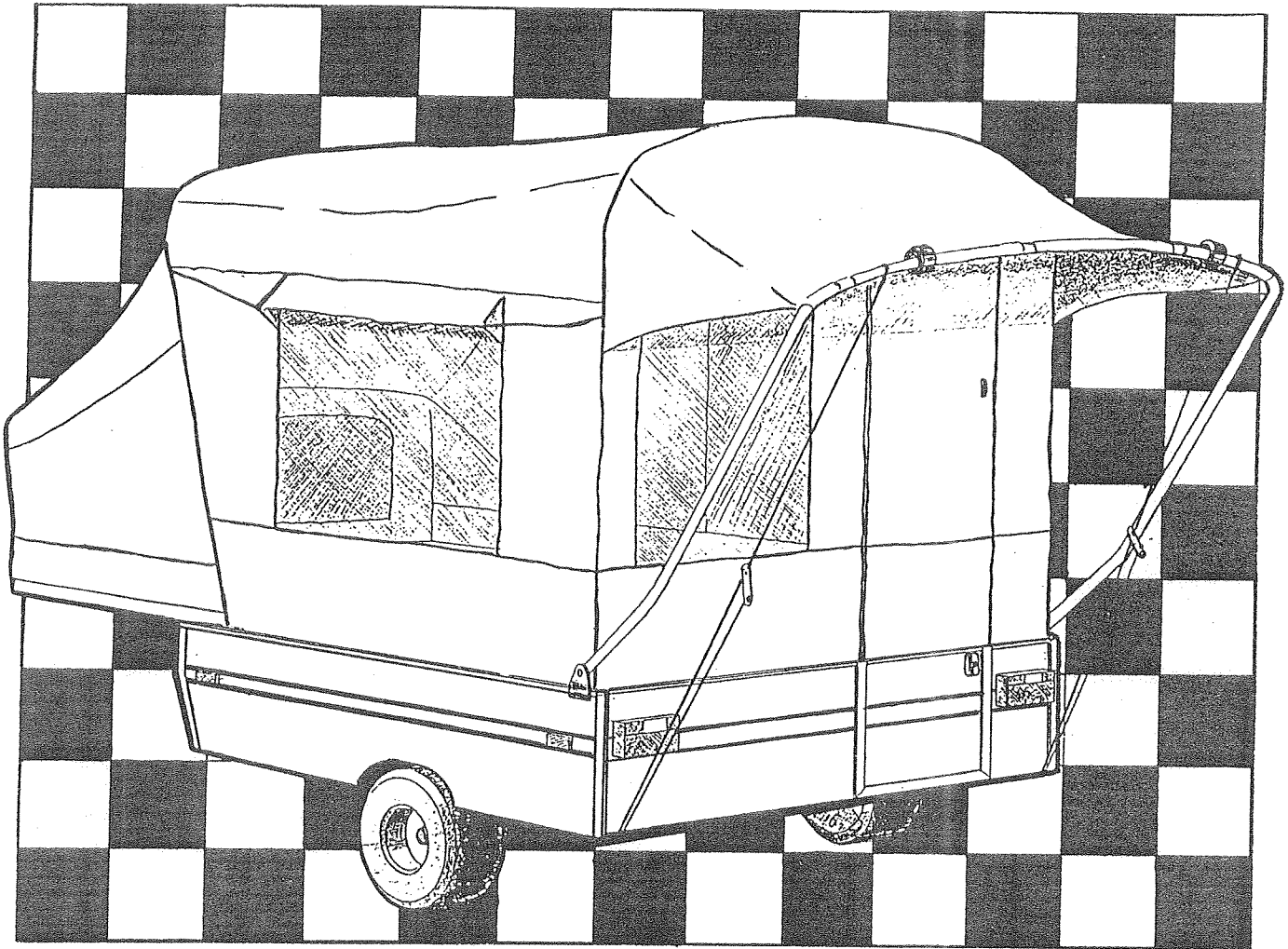




CAMPING TRAILERS

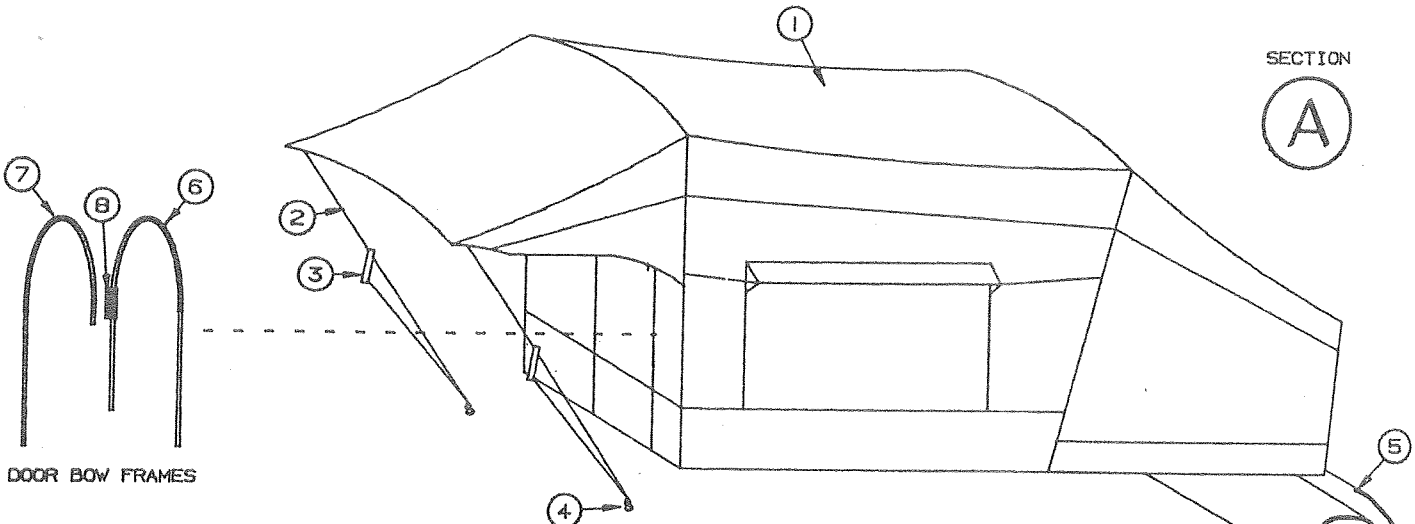


# 1990 COLORADO REPAIR PARTS



# TENT ASSY TABLE ASSY FURNITURE

## 1990 COLORADO PARTS LIST



DOOR BOW FRAMES

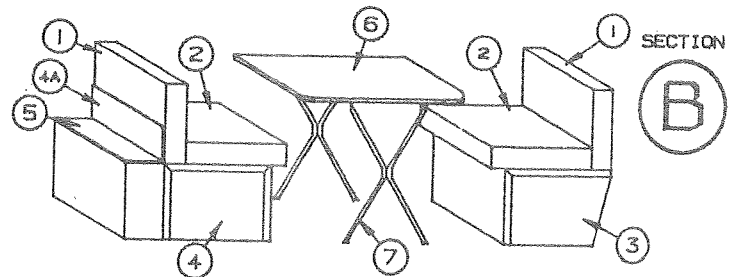
TENT

CODE	PART NO.	DESCRIPTION
1	4716-7801	Evol assembly
	4060000046	Shock Cord (on window)
2	4060021801	Poly rope
3	4724B3931	Rope adjuster (wood)
4	4716-073	"S" hook
5	4724B7931	Tarp assembly
	4737-9351	Tie down strap
6	4743B1791	Door frame bow

CODE	PART NO.	DESCRIPTION
7	4743A5461	Door bow w/clip
	0322A3308	Brass washer
	4733-4118	Tek screw
8	4743A1751	Tent door hinge
	1014B1028	#10 x 1 1/4 Screw
	4743-2968	#10 x 2 Screw
	1201E6398	#10 Lock nut
	4749A1081	Vinyl protector
	4743A215	Door lock bracket
	1203-8641	Rivet, M50
	4743-2841	Door latch
	4743A2821	Shaft
	1201E6398	Nut
	4743-2838	Spacer

FURNITURE

CODE	PART NO.	DESCRIPTION
1	4743A5661	Backrest assembly x2
	4716A5661	Backrest cover
2	4743A5651	Cushion assembly x2
	4716A5651	Cushion cover
	4710-2681	Nylon stop button, M5
	4731-3878	Bolt
3	4743B549	Seat assembly front, complete
	4743B211	Wood panel front
	4743B216	Wood panel end
4	4743C547	Seat assembly rear, complete
	4743B217	Wood panel front
	4743C208	Wood panel end
4A	4743A550	Backrest support
5	4743A207	Cabinet top
	4743B209	Wood panel front
	4734-1861	Rivet, M25
	1202B0268	Washer
	6610007222	Floor covering



TABLE

CODE	PART NO.	DESCRIPTION
6	4716-4521	Table top
7	4745-5271	Table leg assembly, M2 (w/all hardware required)
	4744-6971	Lock brace package
	4720B5951	Table strap assembly 8", M4
	4720B3928	Table leg cap
	4720D4021	Lashing hook, M6
	4737-8488	#10 X 5/8 Screw
	4730C1288	Support rod
	1201B7078	Pal nut

COLORADO ACCESSORIES

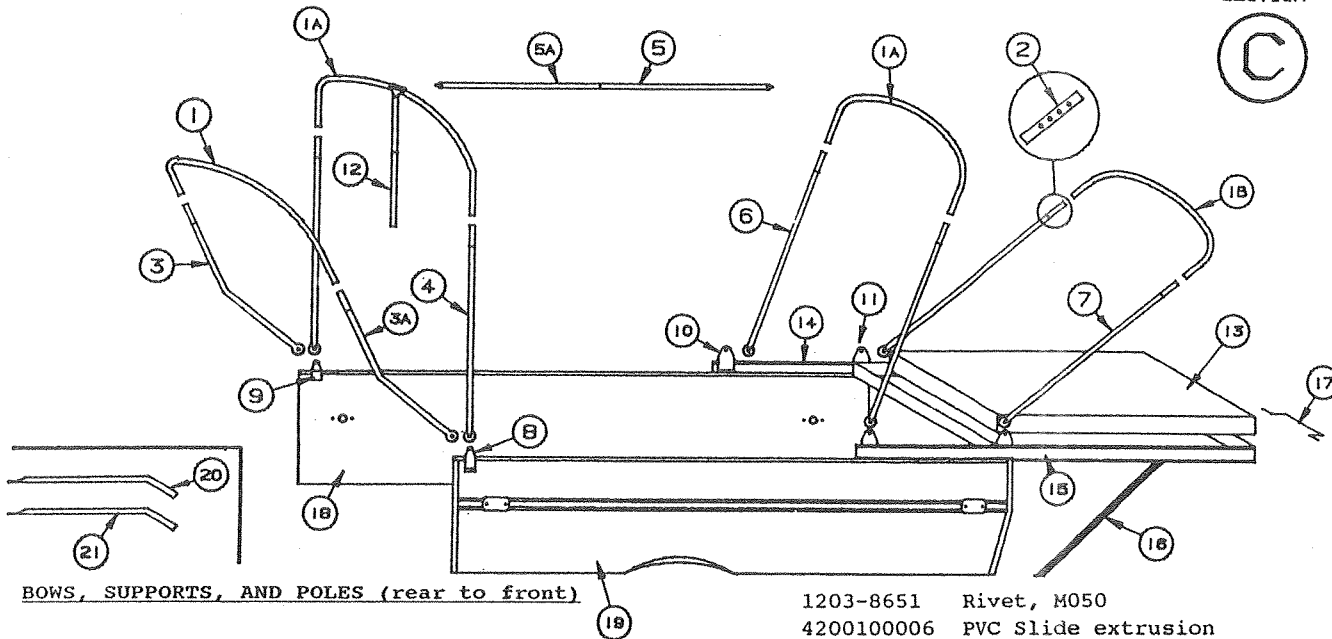
4743-5561	Colorado Rear Stabilizer Kit
4743-6001	Spare Tire Mount
4743-5541	Colorado Shelf Pkg



# 1990 COLORADO PARTS LIST

# BOW SUP'TS & POLE ASSY PANEL ASSY

SECTION



BOWS, SUPPORTS, AND POLES (rear to front)

CODE	PART NO.	DESCRIPTION
1	4743A2531	Canopy bow
	4739-2918	Washer x2
	4739A2908	Snap cap x2
	4749-206	Bow bumper
1A	4743B2461	Upper tent bow x2
1B	4743C0471	Upper tent bow x1
2	4743B5591	Support inner assembly x8
	4734-6708	Spring
3	4743A1841	Lower canopy support left
3A	4743A2471	Lower canopy support right
	4716-050	#10 x 1/2 Screw
4	4743C2481	Lower tent support rear x2
	4716-050	#10 x 1/2 Screw
	1203-9258	Plastic accordion rivet
5	4743B5521	Inner pole assembly
5A	4743C5511	Outer pole assembly
6	4743C1831	Lower tent support front x2
	4716-050	#10 x 1/2 Screw
	1203-9258	Plastic accordion rivet
7	4743C2491	Lower tent support x2
	4716-050	#10 x 1/2 Screw
	1203-9258	Plastic accordion rivet
8	4743A538	Canopy bow bracket x2
	4716-050	#10 x 1/2 Screw
	4743-2788	Nylon spacer
9	4743A537	Rear bow bracket x2
	4733-4138	#8 Tek screw
10	4743C539	Bow bracket x2
	4733-4138	#8 Tek screw
11	4743-560	Bow bracket x2
	4733-4138	#8 Tek screw
12	4743A2941	Door support assy
13	4724E7831	Mattress assembly
	4714C3641	Mattress cover
	4060000339	Bed seal (6 ft.)
14	4743A5571	Bed slide left
	4743-165	Bed latch left
	4743A255	Latch spring left
	4716-058	#10 x 3/8 Screw
	1201B6928	#10 Keps nut
	1203-8651	Rivet, M050
	4200100006	PVC Slide extrusion in 6 ft. lengths
15	4743A5581	Bed slide right
	4743-169	Bed latch right
	4743A254	Latch spring right
	4716-058	#10 x 3/8 Screw
	1201B6928	#10 Keps nut
	1203-8651	Rivet, M50
	4200100006	PVC Slide extrusion in 6 ft. lengths
16	4743-5441	Bed support assembly x2
	1202B2528	Washer
	4739A2908	Screw cap
	4739-2918	Screw cap washer
	4737A4178	Support plate
	4720C0771	Support clip, M4
	1203-8831	Rivet, M25
17	4744-8321	Bed frame handle
	1017B1018	#10 x 5/8 Screw
	1201B6928	#10 Keps nut
18	4743C0651	Left panel assembly
	4743A0321	Left rail
	1103E1018	#10 x 5/8 S.S. screw
	4716-524	Trim Tape, 8' required
19	4743C0641	Right panel assembly
	4743A0331	Right rail
	1103E1018	#10 x 5/8 S.S. screw
	4716-524	Trim tape, 8' required
	4733G1311	Socket and harness
	4741B9368	Screw
	4714E0841	Amber lens
	4714E0851	Red lens
	4714-3701	Bulb (#304), M4
	4743-1971	Tent latch
20	4743C2441	Tarp support (used with 4743B5521 inner pole assembly)
21	4743C2561	Tarp support (used with 4743C5511 outer pole assembly)

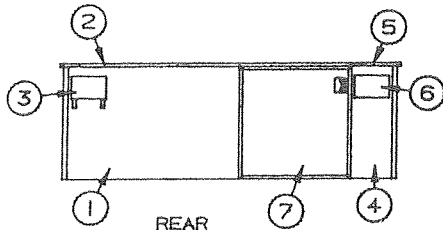
**2** NOTE All panels are shipped less trim tape and decals. Must order separately.

# REAR PANEL ACCESS DOOR FRONT PANEL

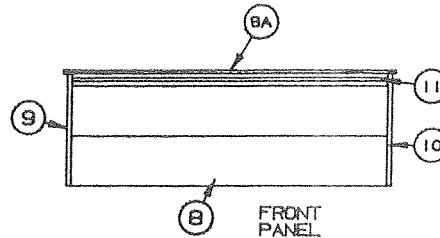
# 1990 COLORADO PARTS LIST



SECTION



REAR BODY PANELS REAR PANEL



FRONT BODY PANEL

CODE	PART NO.	DESCRIPTION
1	4743C5231	Left rear panel assembly
2	4743A0281	Left rear rail
	1103E1018	#10 x 5/8 S.S. Screw
	4745A1908	Coleman logo
	4743C1608	Colorado decal
	4743-202	Door frame left
	4716-069	#10 x 3/4 Screw
	4743B541	Tent door bow bracket
	4733A0601	Rivet, M25
	4743-242	Tarp support bracket
	1203-8651	Rivet, M50
3	4743-1311	Taillight assembly complete
	4714A0881	Taillight lens
	1203-8651	Rivet, M50
	4743-1971	Tent latch
	4743C0761	Rear corner angle
	4060000096	Vinyl screw cover
4	4743B5451	Right rear panel assembly
5	4743A0291	Right rear rail
	4743-201	Door frame right
	4716-069	#10 x 3/4" Screw
	4743B542	Tent door bow bracket
	4733A0601	Rivet, M25
6	4743-1321	Taillight assembly complete
	4714A0871	Taillight lens
	1203-8651	Rivet, M50
	4743-1971	Tent latch
	4743C0761	Rear corner angle
	4060000096	Vinyl screw cover

ACCESS DOOR

CODE	PART NO.	DESCRIPTION
7	4743C5071	Door panel assembly
	4743A0611	Door rail
	1103E1018	#10 x 5/8 S.S. screw
	4743-2621	Door handle
	4743-1971	Tent latch
	4714-3621	Key, M2
	4743A062	Door trim right
	4743-199	Door trim left
	4743-200	Door trim bottom
	4743B063	Door hinge
	4716-069	#10 x 3/4 screw
	4743A543	Tent door bow bracket
	1201E6128	Acorn nut
	1203-8651	Rivet, M50
	4743-242	Tarp support bracket
	1203-8651	Rivet, M50

CODE	PART NO.	DESCRIPTION
8	4743C5261	Front panel assembly
8A	4743-2381	Front rail
	1103E1018	#10 x 5/8 S.S. screw
9	4743C1881	Left front corner angle
10	4743C1871	Right front corner angle
	4716-077	#10 x 3/4" screw
	4060000096	Vinyl screw cover
11	4743-277	Tarp track
	1103E1018	#10 x 5/8 S.S. screw

FRAME

CODE	PART NO.	DESCRIPTION
	4714-0151	Coupler assembly, welded
	4714-2211	Coupler repair kit
1	4720D0731	Stabilizer assembly x2
2	4737-8791	Stack jack x2
	4743A5361	Wire harness
	4743B5301	Parts package
	4735C6691	Pigtail
	4720C3031	Safety chain, M2
	4771-2631	Safety pin, M5
	4732A4791	Hairpin cotter, M10
	4746A0231	Stabilizer handle
	4743B5081	Wheel well assembly
	1103E1018	#10 x 5/8 S.S. screw

AXLE

PART NO.	DESCRIPTION
4743C503	Axle assembly complete
4743B5021	Axle beam
4738-0981	Spring
4737A1318	Shackle bolt
4741-8458	U-bolt plate
4741A8438	U-bolt
4741-9358	U-bolt nut
4738C0451	Hub assembly, 5 lug nut
4714A2201	Grease seal, M4
4714-2231	Bearing
4714-2221	Race
4714-3068	Castle nut
1204-1268	Cotter pin
4714-0621	Grease cap, M4
4749-2258	Tire and rim (5 lug nut -Goodyear)
4747-9528	Lug nut