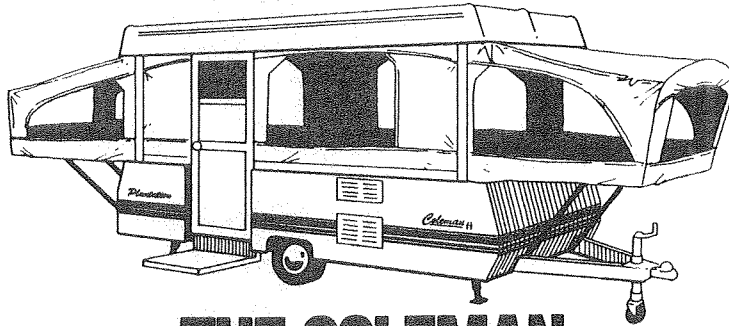
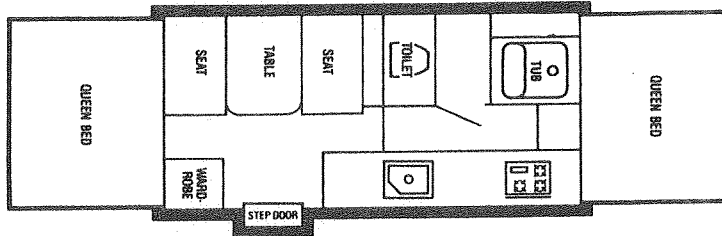


**A NEW DIRECTION IN CAMPING!**



**THE COLEMAN**

*Plantation*



**1990  
2499**

**PLANTATION SERIES  
REPAIR PARTS LIST**

CT. 3D



# 1990 PLANTATION PARTS LIST



When ordering repair parts, please note:

To expedite your repair orders, please order by Coleman part number and the description shown in this parts catalog. If unable to find the part in this catalog, please state the model number and serial number (if known) of the trailer; describe the part; state where it is used; and, if necessary, state if on curbside, roadside, front or rear of trailer.

### Symbols used in this catalog:

"x2" - Items showing "x2", etc., indicate they are used times two on the assembly. They are sold one to a package.

"M4" - Items marked "M4", etc., indicate they are packed four to a package and are shipped only in packages of four. They are priced per unit. When ordering, please specify the total quantity you require - not the number of packages.

Note: All seven digit numbers are not necessarily sales stock items and may take slightly longer to obtain from the factory.

Note: Cushion/Backrest and Mattress assemblies are not a stock item. May take slightly longer to receive.

### Minimum Order Requirements

Minimum order requirements for parts and/or accessories is \$25. Orders for less than \$25 will be assessed a \$5 handling charge.

### HYDRO FLAME FURNACE - 20,000 BTU

4737A9661 Hydro Flame furnace

All warranty service and parts procurement for this item will be handled directly by:

Hydro Flame Corporation  
1874 Pioneer Road  
Salt Lake City, Utah 84101  
Phone: 800/825-4328

Note: Refer to manufacturer's number FA7920DF.

### WATER HEATER - QUICK RECOVERY

4741-5531 Water heater

All warranty service and parts procurement for this item will be handled directly by:

Attwood Mobile Products  
4750 Hiawatha Drive  
Rockford, Illinois 61106  
Phone: 815/877-7641

Note: Refer to model G6-SM.



# 1990 PLANTATION TABLE OF CONTENTS PARTS LIST

DESCRIPTION	PAGE NUMBER
Access door assy	12
Access door bulkheads	14
Access door light	12
Access door floor covering	12
Axle (Torflex)	7
Backrests	24
Bathroom wall assy	19
Bed extensions	15
Bed assy's	15
Body panel assy, rear	10
Body panel assy, right front	11
Body panel assy, right rear	11
Body panel assy, front	9
Body panel assy, left side (roadside)	13
Bumper	10
Bumper end caps	10
Cabinet door (hardware)	28
Converter cabinet assy	26
Converter	26
Corner bulkhead	3
Coupler assy	3
Crank handle	3, 12
Crank & sprocket	3, 5
Cushions	24
Drain system	32
Drapes	16
Drawer cabinet assy	17
Electric brakes	8
Evolution III tent sections	24
Faucet	28
Fire extinguisher	17
Fold down wall	18, 20
Galley assy	28
Gas bottles	30
Gas line system	29
Guide channel	3, 6
Hitch pin	3
Hub & drum	7
Hubcap	3
Lift trim & miter covers	14
Lift assy, LF/RR	3, 5
Lift assy, RF/LR	3, 5
Lug nuts	3, 7
Magazine rack assy	18
Mattress assy's	16
Paneling & trim	20
Parts pkg	20
Pigtail (car end)	3
Potti (Porta Potti Cassette)	21
Power cord	7
Race bearing	6
Range & oven, 3 burner	28
Receptacle box, 15 AMP	7
Receptacle (ground fault)	7
Refrigerator	28
Refrigerator vent, upper/lower	11

DESCRIPTION	PAGE NUMBER
Regulator (dual gas bottle)	30
Rocker switch	17, 23
Safety chain	3
Safety pin	3
Screen door	27
Seat frame assy	23
Seat fronts	23
Shower head	22
Shower hose	22
Sink	28
Spare tire mount bulkhead	3
Stabilizer handle	3, 12
Stabilizer assy	3
Table assy & components	26
Tent support assy	16
Tire & rim	3
Tongue jack assy	3
Top assy	33, 34
Touch up paint	20
Tub	22
Tub shelf assy	22
Tub pkg	22
Valance	16
Versa light	20
Wall gazoodi	18
Wardrobe cabinet assy	25
Water heater	31
Water system	31
Water tank	31
Water pump	31
Water heater door assy	13
Wheel well assy	3
Whiffletree extension	6
Whiffletree and related parts	6
Wire harness, (Bargman)	3
Wiring diagram (120 Volt)	7

REFRIGERATOR

4745-171 Refrigerator

All warranty service and parts procurement for this item will be handled directly by:

Dometic Sales Corporation  
(Refer to your factory authorized service center list for address and phone number.)

Note: Refer to model RM2200.

# MAIN FRAME ASSY

# 1990 PLANTATION PARTS LIST

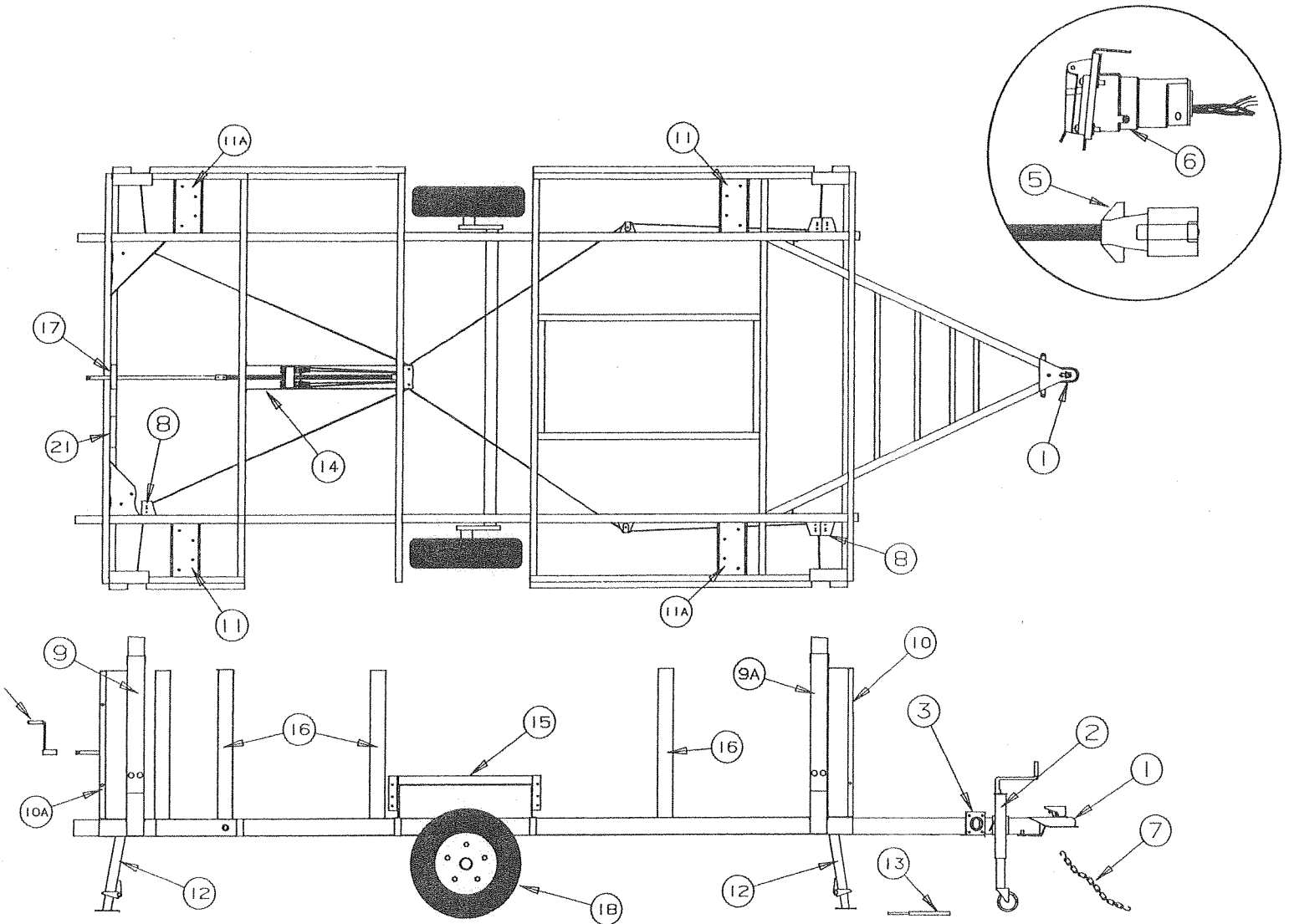


MAIN FRAME ASSEMBLY (SEE PAGE 4 FOR DRAWING DETAILS)

CODE	PART NO.	DESCRIPTION
1	4745-016	Coupler assy, welded to frame
	4716-0161	Coupler assy repair kit
	4771-2631	Hitch pin, M5
	4732A4791	Safety pin, M10
2	4720B6661	Tongue jack assy
	4716-6661	Tongue jack, wheel and nut
	4714-2818	Locking plunger kit
	4714-2821	Tongue jack handle kit, M2
	4720A3341	Snap ring
3	4720A3331	Jack bracket
4	4745-6211	Crank handle
5	4745C5491	Wire harness (complete)
	4746-0911	Bargman wire harness
	4746-107	Wire connector x5, 16-14 gauge
	4746-108	Wire connector x2, 12-10 gauge
	1201-8738	Clamp (clamp harness to frame)
	4738-2608	Tek screw x1
6	4735D6741	Pigtail (car end)
7	4745-3031	Safety chain
8	4732C3678	Adjustable pulley bracket
	4720C1578	Short pin
	4715A5371	Pulley and bearing assy, M10
	1204B1081	Cotter pin, M10
9	4745C5461	Lift assy, LF/RR
9A	4745C5471	Lift assy, RF/LR
	4738A089	Bolt x4 (bolt lift to frame)
10	4746-505	Corner bulkhead
	1203C8751	Rivet, M25
10A	4746-506	Corner bulkhead
	1203C8751	Rivet, M25
11	4745-627	Stabilizer support x2
11A	4745B627	Stabilizer support x2
12	4720D0731	Stabilizer assy x4
	4739-2298	Nut (stabilizer assy to support)
13	4745-6091	Stabilizer handle x1
14	4745-020	Guide channel
	4731-3878	Hex-head bolt
	1201B6038	Nut
15	4745-507	Wheel well assy (complete)
16	4745-163	Side rail bulkhead x5
	4733-4118	Tek screw x2
17	4745-508	Spare tire bulkhead
	4731-3878	Hex-head bolt x2
	1201B6038	Hex nut x2
18	4745B1658	Tire & rim B78-13" 5 lug nut (Goodrich)
19	4747-9528	Lug nut
20	4745B3921	Hub cap, 13"
21	4745-6101	Crank & sprocket assy (complete)
	4731-3878	Hex-head bolt x2
	1201B6038	Hex nut x2

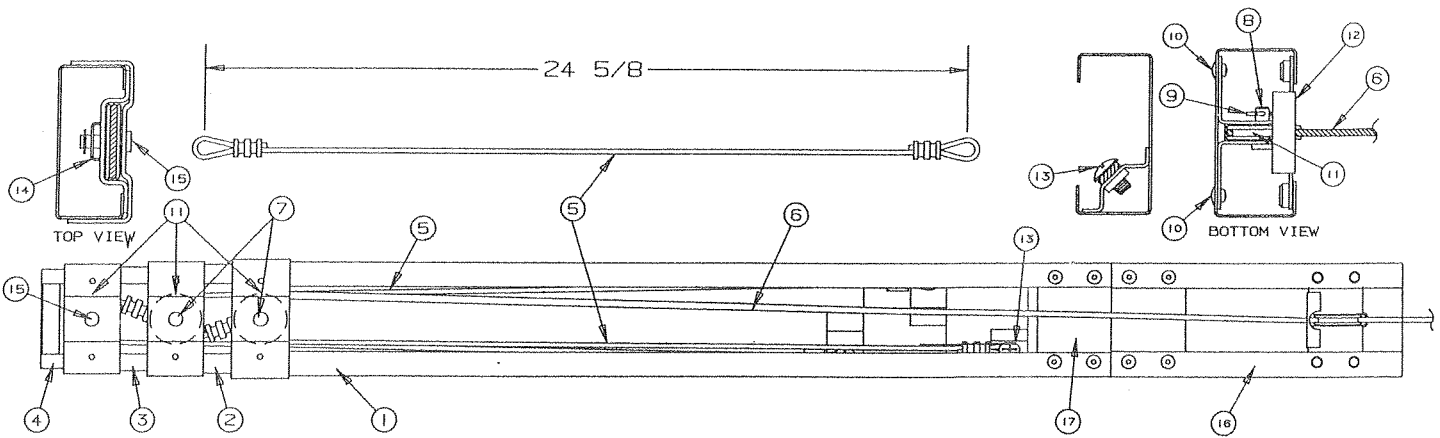
Items 19 & 20 not shown in drawing.

# 1990 PLANTATION MAIN FRAME ASSY PARTS LIST



# LIFT ASSY'S CRANK & SPROCKET

# 1990 PLANTATION PARTS LIST



### LIFT ASSEMBLIES, 2499

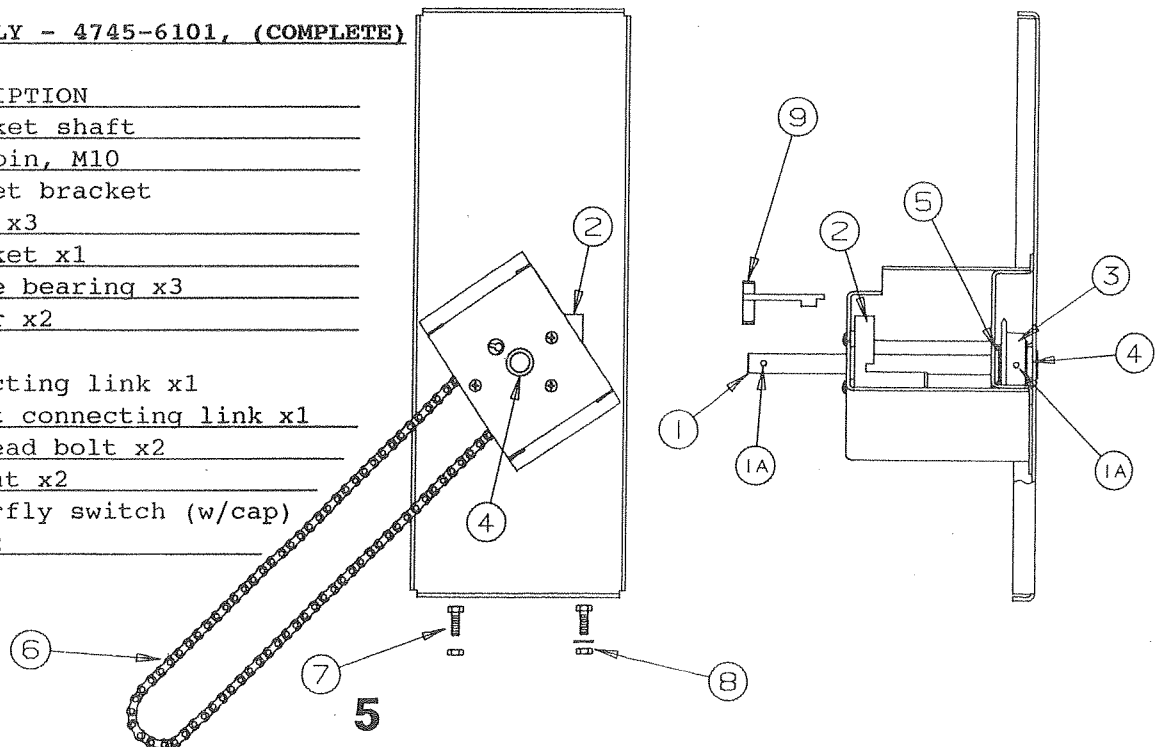
- 4745C5461 Lift assembly, RF/LR - complete
- 4745C5471 Lift assembly, LF/RR - complete

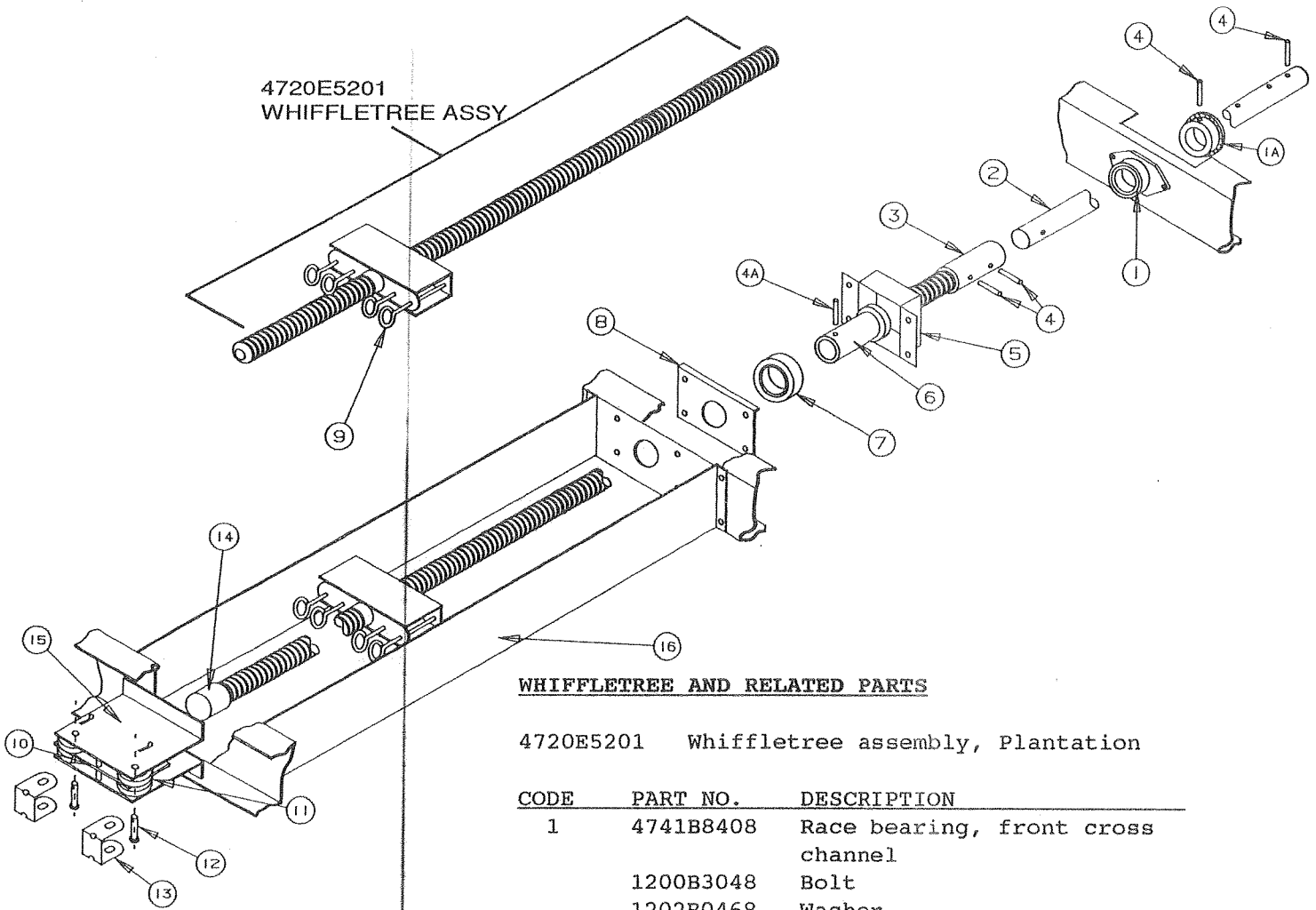
CODE	PART NO.	DESCRIPTION
1	4720H5151	Stationary lift assy
2	4720F5161	Bottom lift assy (4745C5461)
	4739B6751	Bottom lift assy (4745C5471)
3	4720E5171	Center lift assy (4745C5461)
	4739B6731	Center lift assy (4745C5471)
4	4720E5181	Top lift assy (4745C5461)
	4739B6741	Top lift assy (4745C5471)
5	4720C5271	Cable assy x2, M2
		24 5/8" long
	4720C1691	Steel cable crimp, M20
6	4745-5441	Stainless steel cable assy x1
		(144" long, M2)
	4744-1318	Stainless steel cable crimp

CODE	PART NO.	DESCRIPTION
7	4747-8931	Long pin, x2, M12 (only)
	4730B0981	Retaining ring (only), M12
8	4720C1578	Lift pin x1
9	1204B1081	Cotter pin, M10
10	1203-8641	Rivet x4, M50
11	4715A5371	Steel pulley & bearing x4, M10
12	4731C5801	Butterfly bracket assy
	1203-8641	Rivet x4, M50
13	4749-2081	Bolt, 1/4 - 20 x 1/2", (x3)
14	4749A2028	Retaining clip x2
15	4749-4061	Pin short x1
	4730B0981	Retaining ring (only), M12
16	4745-029	Stationary lift extension
17	4720-872	Extension connector
	1203-8641	Rivet x8, M50

### CRANK AND SPROCKET ASSEMBLY - 4745-6101, (COMPLETE)

CODE	PART NO.	DESCRIPTION
1	4745A070	Sprocket shaft
1A	4720B1481	Roll pin, M10
2	4746-0198	Ratchet bracket
	1143B1008	Screw x3
3	4730B3858	Sprocket x1
4	4730B3828	Bronze bearing x3
5	1202-2828	Washer x2
6	4745A0691	Chain
	4730A3811	Connecting link x1
	4714-0351	Offset connecting link x1
7	4731-3878	Hex head bolt x2
8	1201B6038	Hex nut x2
9	4746-1171	Butterfly switch (w/cap)
	4737-4698	cap x2





**WHIFFLETREE AND RELATED PARTS**

4720E5201 Whiffletree assembly, Plantation

CODE	PART NO.	DESCRIPTION
1	4741B8408	Race bearing, front cross channel
	1200B3048	Bolt
	1202B0468	Washer
	1201B6068	Nut
1A	4737-1778	Sprocket
2	4745C068	Whiffletree extension
3	4720D1221	Coupling
4	4720B1481	Roll pin, M10
4A	4744A1301	Shear pin, M10
5	4720B2408	Retainer
	4731-3878	Hex-head bolt
	1201B6038	Hex nut
6	4720B2388	Thrust nut
7	4720A2421	Bearing
8	4720B2418	Plate
9	4744-4451	Screw eye, M4
	1201B6078	Locknut x8
10	4715C5661	Pulley spacer
11	4715A5371	Pulley and bearing, M10
12	4720H1561	Long pin, M5
13	4744A1748	Cable retainer
14	4730D129	Screw socket x1
15	4720-155	Pulley plate x2
16	4745-020	Guide channel

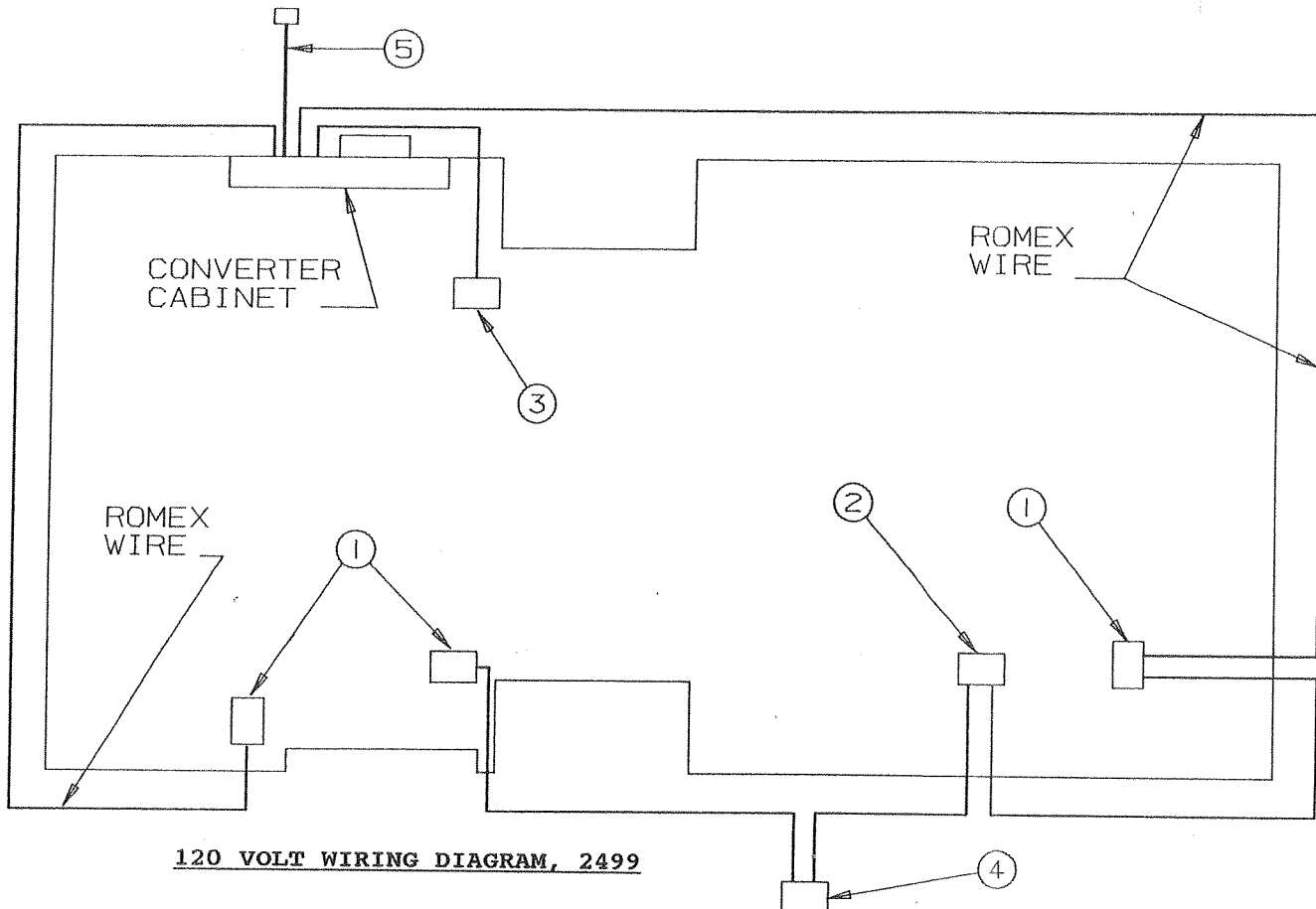
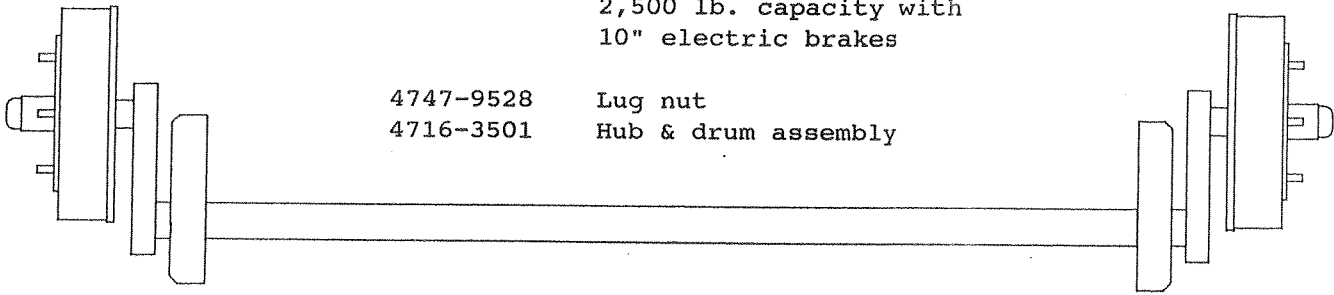
# AXLE ASSY WIRING DIAGRAM

# 1990 PLANTATION PARTS LIST



**TORFLEX AXLE (COMPLETE)**  
Axle Beam not sold separately

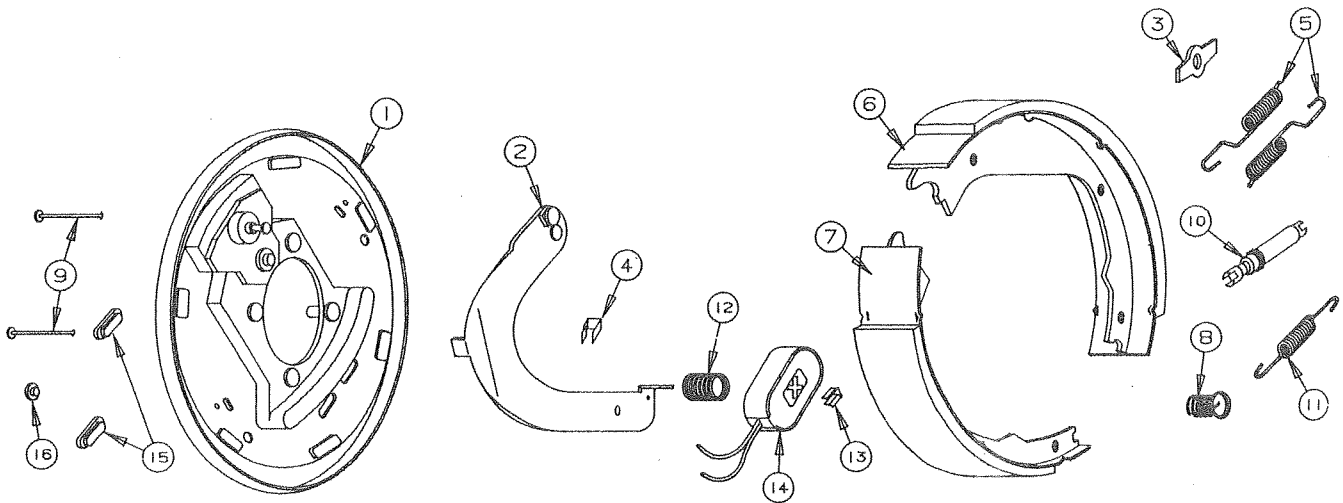
- 4745B1708 Axle assy complete  
2,500 lb. capacity with  
10" electric brakes
- 4747-9528 Lug nut
- 4716-3501 Hub & drum assembly



**120 VOLT WIRING DIAGRAM, 2499**

CODE	PART NO.	DESCRIPTION
1	4710B3551	15 AMP receptacle cover x3
2	4746-384	Ground fault receptacle x1
	4746-385	Deep box x1
3	4744-3081	20 AMP receptacle x1
4	4746-3871	Shallow box
	4746-3861	Duplex cover (outside)
5	4744-3101	Power cord, 28 ft. 30 AMP





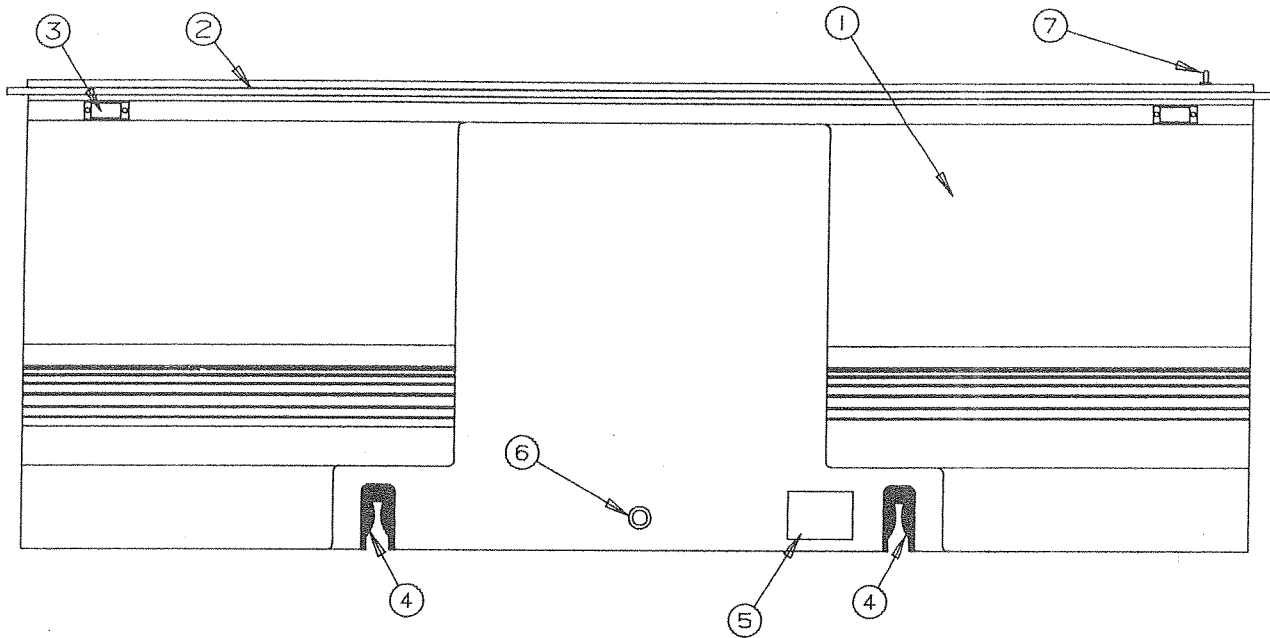
**ELECTRIC BRAKE COMPONENTS - 10 X 2 1/4"**  
**FOR TORFLEX AXLE**

Item	Part Number	Part Number	Brake	Description
	4716-0201	23-26		L.H. complete brake assy
	4716-0211	23-27		L.H. complete brake assy
1	Note	36-19-10	1	Backing plate assy
2	4716-0221	47-19	1	L.H. actuating lever arm and
		47-20	1	R.H. actuating lever arm
3	Note	5-67	1	Washer
4	Note	27-18	2	Wire clip
5	4716-0231	46-9	2	Retractor spring, M2
6	4716-0241	71-47	1	Shoe and lining kit
7	Included in with item 6			includes 1 primary, 1 secondary, springs & pins
8	4716-0251	46-77	2	Shoe holddown spring, M2
9	4716-0261	49-2	2	Holddown pin
10	4716-0271	43-4	1	Adjusting screw
11	4716-0281	46-18	1	Adjusting screw spring
12	4716A0291	46-80	1	Magnet spring
13	4716-0301	27-9	1	Magnet retainer clip
14	4716A0311	71-104		1 Magnet kit (includes 1 magnet, clip and spring)
15	4716-0321	46-7	2	Plug, M2
16	Note	46-16	1	Wire grommet

**NOTE:** Order through Dexter  
Must use Dexter part numbers when ordering.  
Phone Number 219/295-1900.

# FRONT BODY PANEL ASSY

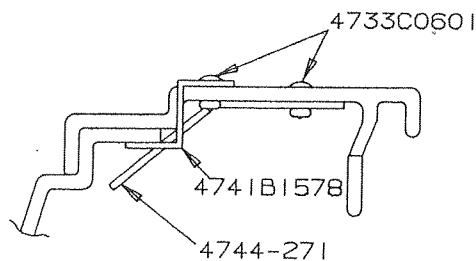
# 1990 PLANTATION PARTS LIST

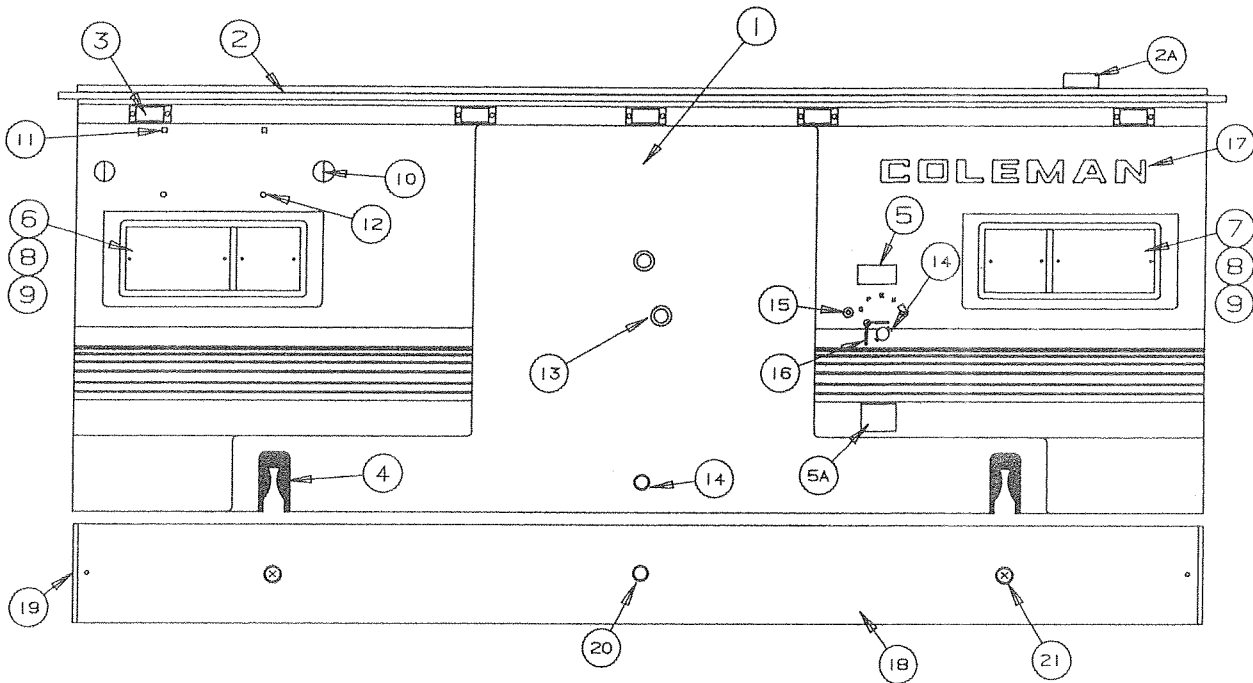


### FRONT BODY PANEL ASSEMBLY COMPONENTS

CODE	PART NO.	DESCRIPTION
1	4745B0601	Front panel
	4716B513	Trim tape (9' required)
	4741B1578	Clip
2	4745A042	Body rail
	4744-271	Bracket
	4733C0601	Rivet, M25
3	4745-3101	Amber clearance light assy x2
	4716-3101	Amber lens x2
	4741B9658	Expansion rivet x2
	4734-2388	Wire connector
4	4737A4458	Gasket
5	4730H2138	Gas supply I.D. plate
6	4741A954	Bushing
7	4746A0971	12 VDC, 20 AMP Switch

**NOTE:** All panels are shipped less trim tape and decals. Must order separately.





**REAR BODY PANEL ASSEMBLY COMPONENTS**

CODE	PART NO.	DESCRIPTION
1	4745C0611	Rear panel
	4716B513	Trim tape (7' required)
	4741B1578	Clip
	4733C0601	Rivet, M25
2	4746A079	Body rail
	4744-271	Bracket
	4733C0601	Rivet, M25
2A	4734C1538	Bed stop
	4741B9368	Screw x2
3	4745-3111	Red clearance light assy
	4716-3111	Red lens
	4741B9658	Rivet
	4734-2388	Wire connector
4	4737A4458	Gasket
	4737C3638	Caution decal
5	4739C1178	Switching decal
	4730H3188	Open decal
6	4734C3911	Taillight assy R/S
7	4734C3921	Taillight assy C/S
8	4739-4321	Red lens

CODE	PART NO.	DESCRIPTION
9	4739-4331	Clear lens
	4741B9658	Rivet
	4739-4348	Screw
10	4739B4311	Taglight
11	4732-1181	Plastic grommet, M4
	1121C1618	Screw
12	4737-0728	Rubber bumper
13	4744-8598	Hole plug
14	4744-3118	Grommet
15	4724-2608	Stop button
	4716-077	Screw
16	4746-1171	Butterfly key
	4737-4698	Cap x2
17	4749-2328	Coleman logo
18	4745A8161	Bumper channel
19	4745-3701	Bumper cap, M2
20	4734-4358	1 1/2" Snap bushing
21	1032B2416	Bolt
	1202B0468	Washer
	1202B1068	Washer

**NOTE:** All panels are shipped less trim tape and decals. Must order separately.

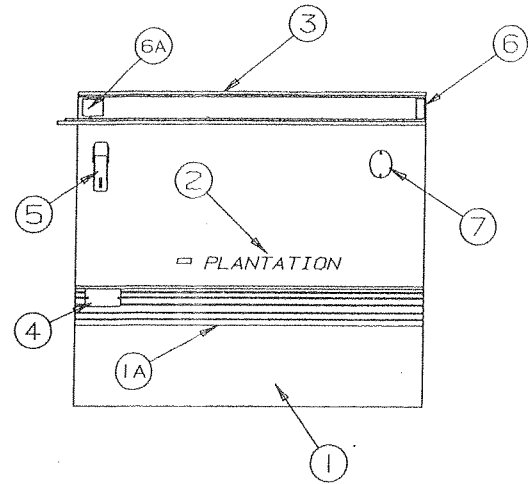
# RIGHT REAR AND RIGHT FRONT BODY PANEL ASSY'S

# 1990 PLANTATION PARTS LIST

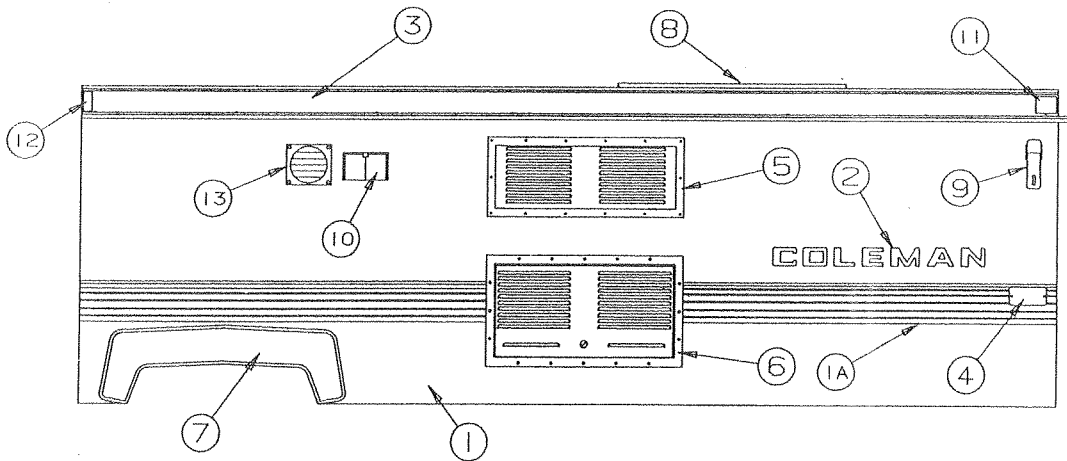


## RIGHT REAR BODY PANEL ASSEMBLY COMPONENTS

CODE	PART NO.	DESCRIPTION
1	4745B0561	Right rear panel
1A	4716B513	Trim tape (4' required)
	4746-3958	Body panel flange clips
2	4745B1998	Plantation logo
3	4745A044	Body rail
	4741B9368	Rivet
4	4714E0851	Red lens and base
	4733G1311	Socket and harness
	4714-3701	Bulb, M4
	1103E1018	Screw
	4734-2388	Wire connector
5	4715E5051	Top latch w/lock
	4741-8218	Screw
6	4723-8071	Velcro hook, 3/4" x 1"
6A	4724D2631	Velcro hook, 2" x 1"
7	4733-2818	RVI tag
	1203-8678	Rivet x2



**NOTE:** All panels are shipped less trim tape and decals. Must order separately.

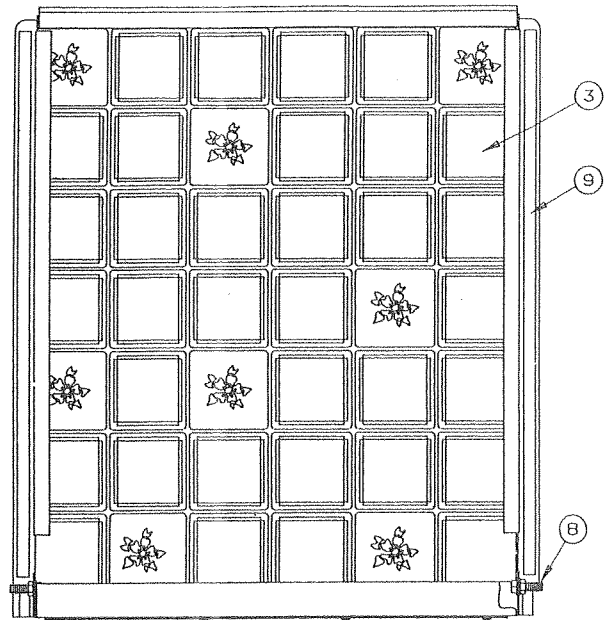
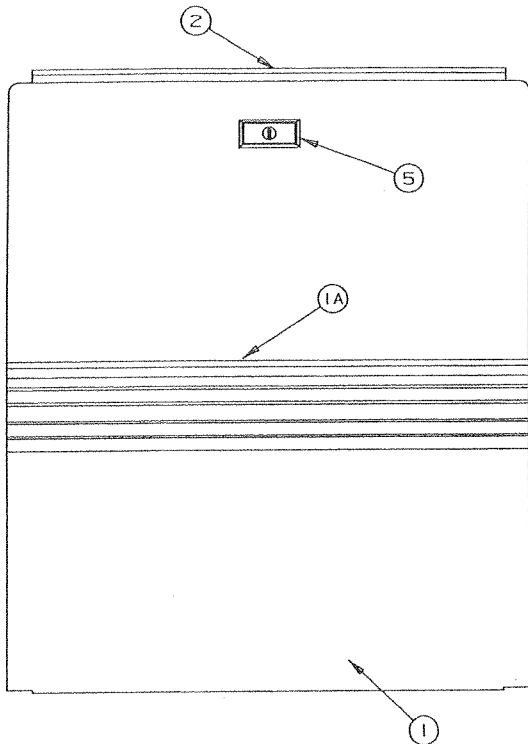


## RIGHT FRONT BODY PANEL ASSEMBLY COMPONENTS

CODE	PART NO.	DESCRIPTION
1	4745B0571	Right front panel
1A	4716B513	Trim tape (9' required)
	4746-3958	Body panel flange clips
2	4749-2328	Coleman logo
3	4745A045	Body rail
	4734B1861	Rivet, M25
	4710-3621	Roll pin, M10
4	4714E0841	Amber lens and base
	4733G1311	Socket and harness
	4714-3701	Bulb M4
	1103E1018	Screw
	4734-2388	Wire connector
5	4747-8321	Refrigerator vent, upper
	4350000093	Double stick foam tape
	4746-418	Rivet

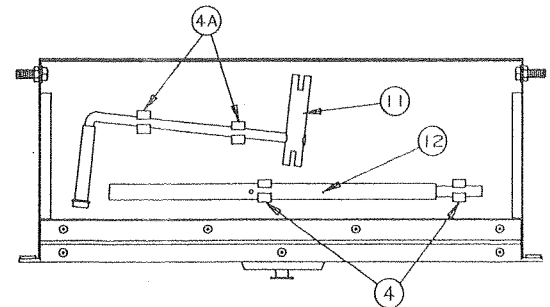
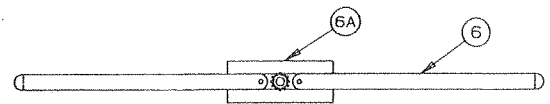
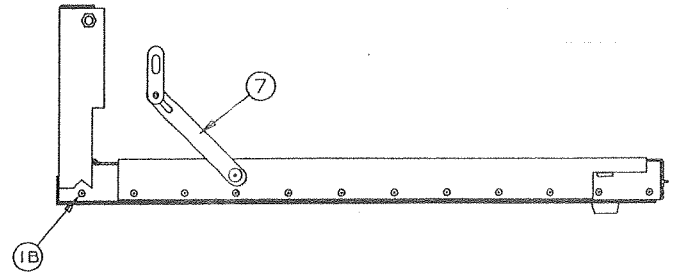
CODE	PART NO.	DESCRIPTION
6	4747-8331	Refrigerator vent, lower
	4350000093	Double stick foam tape
	4746-418	Rivet
7	4745A1551	Wheel well trim
	4741B9368	Screw, x11
8	4737A221	Curtain track
	4741-9861	Rivet, M25
9	4741B6041	Top latch w/o lock
	4741-8218	Screw x2
10	4746-3861	Duplex cover
	4746-387	Shallow box x1
11	4724D2631	Velcro hook, 2" x 1"
12	4723-8071	Velcro hook, 3/4" x 1"
13	4746-8001	Vent
	4741B9368	Screw x4

**NOTE:** All panels are shipped less trim tape and decals. Must order separately.



**ACCESS DOOR ASSEMBLY, 4745E5161 (Colonial White)**  
(less trim tape & decals, must order separate)

CODE	PART NO.	DESCRIPTION
1	4745B0521	Access door skin
1A	4716B513	Trim tape (3' required)
1B	4734B1861	Rivet x11, M25
2	4731H2331	Access door cap
	4734B1861	Rivet x8, M25
3	4745C0831	Access door floor covering
4	4734-2431	Snap clip x2, M4 (right)
4A	4720A0771	Snap clip x2, M4 (left)
	4733-4118	Tek screw
5	4730B3111	Lock handle (less keys)
	4716-056	Screw x2
	1201B6958	Keys nut x2
	4730A3211	Access door lock key, M10
6	4741-6551	Lock bar assy x1
6A	4741-1438	Reinforcement plate
	1202B8528	Lock washer
7	4744-6981	Swing arm assy
	1203C8721	Rivet, M25
	1202B0468	Washer
Note: Rivet and washer included in swing arm assembly		
8	1006B2428	Bolt, 3/8 - 16 x 1 1/4", x2
	1202B0468	Washer x2
	1201B5188	Nut, 3/8 - 16, x2
9	4060025006	1/8" x 1/2" Adhesive-backed foam tape (2 1/2' required)
10	4737B2838	White caulking
11	4745-6211	Crank handle
12	4745-6091	Stabilizer handle

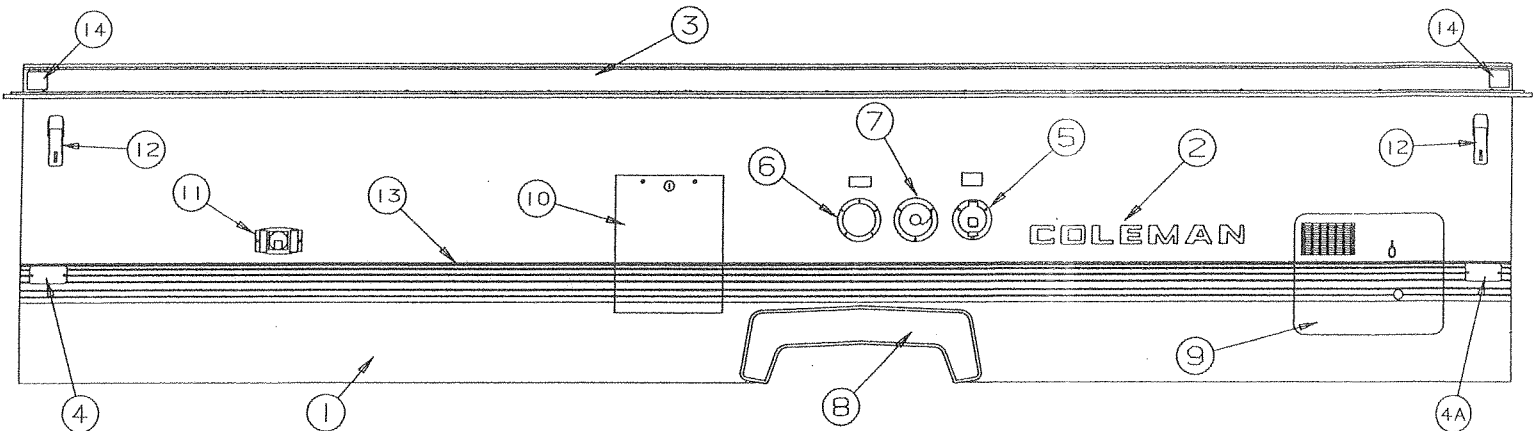


**ACCESS DOOR LIGHT (NOT SHOWN)**

4739A5731 Light assy, complete

# LEFT SIDE BODY PANEL ASSY

# 1990 PLANTATION PARTS LIST



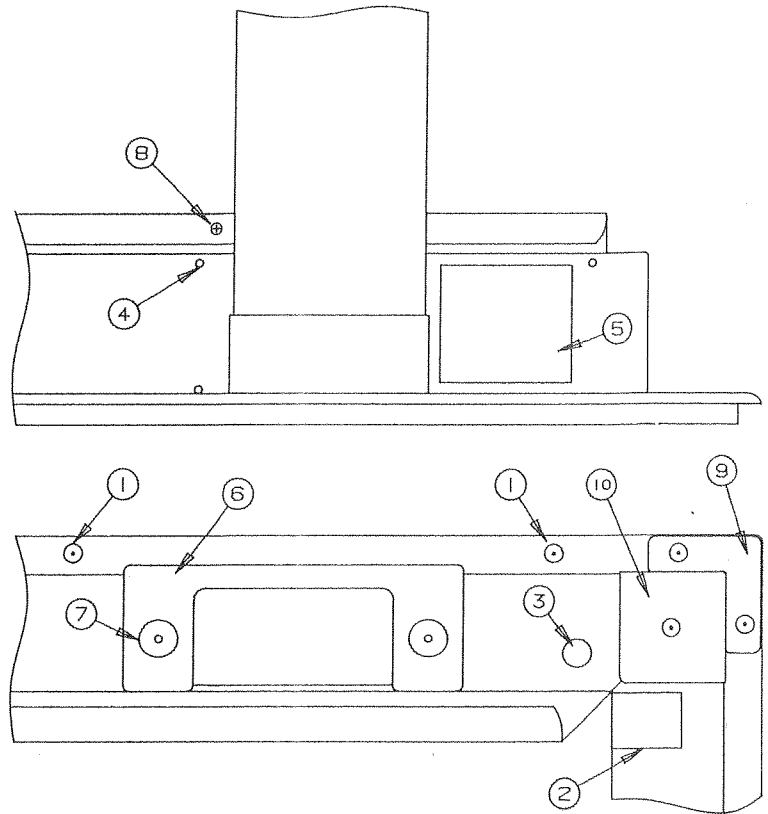
### LEFT BODY PANEL ASSEMBLY COMPONENTS

CODE	PART NO.	DESCRIPTION
1	4745B8351	Left panel
	4746-3958	Body panel flange clips
2	4749-2328	Coleman logo
3	4745A043	Body rail
	4734B1861	Rivet x13, M25
	4710-3621	Roll pin, M10, x6
4	4714E0841	Amber lens and base
4A	4714E0851	Red lens and base
	4733G1311	Socket and harness
	4714-3701	Bulb, M4
	1103E1018	Screw
	4734-2388	Wire connector
5	4733-2331	Cable hatch
	4745-9948	30AMP Decal
	4741-3508	Screw x3
6	4731C1711	Fill spout
	4735C0988	Water decal
	4741-3508	Screw x5
7	4732D1521	City fill
	4747-4718	Nylon washer x3
	4741-3508	Screw x3
8	4745A1551	Wheel well trim
	4741B9368	Screw x11
9	4714G3391	Water heater door assy (complete) (col white)
10	4746-6321	Hatch door assy (complete)
11	4746-3561	Hydro flame vent
	4741B9368	Screw x2
	4350000029	Grey putty tape, 24"
12	4741B6041	Top latch
	4741-8218	Screw x2
13	4716B513	Trim tape (13' required)
14	4723-8071	Velcro hook 2"

**NOTE:** All panels are shipped less trim tape and decals. Must order separately.

**MITER COVERS AND LIFT TRIM**

CODE	PART NO.	DESCRIPTION
1	4733C0601	Rivet, M25, rail to panel
2	4747-2171	Bug hole patch
3	4739A2908	Screw snap cap x1
	4739-2918	Screw washer x1
	4741-9108	Screw x1
4	4710-3621	Roll pin x4, M10
5	4723-8071	Velcro hook 2"x2" adhesive backed
6	4734C4111	Lift trim x4
	4744-958	Lift gasket x4
7	1203-8831	Rivet x2, M25
8	1103E0608	Screw (to hold tent section in place)
9	4737B9101	Outer miter cover, M4
	4733C0601	Rivet x2, M25
10	4737A9111	Inner miter cover, M4
	4733C0601	Rivet x1, M25



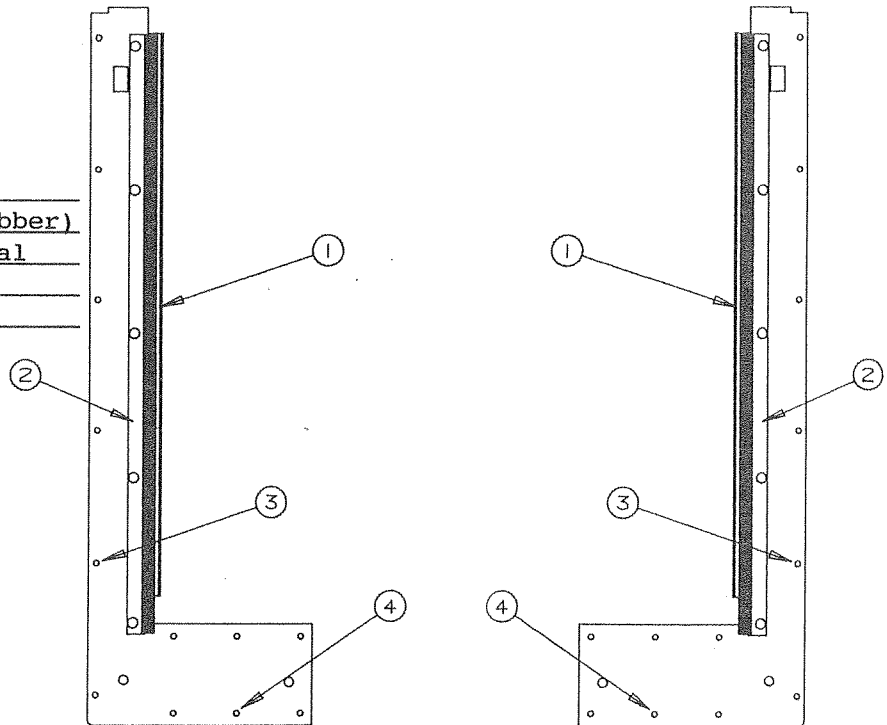
4745A506 BULKHEAD  
ASSY REAR  
(COMPLETE)

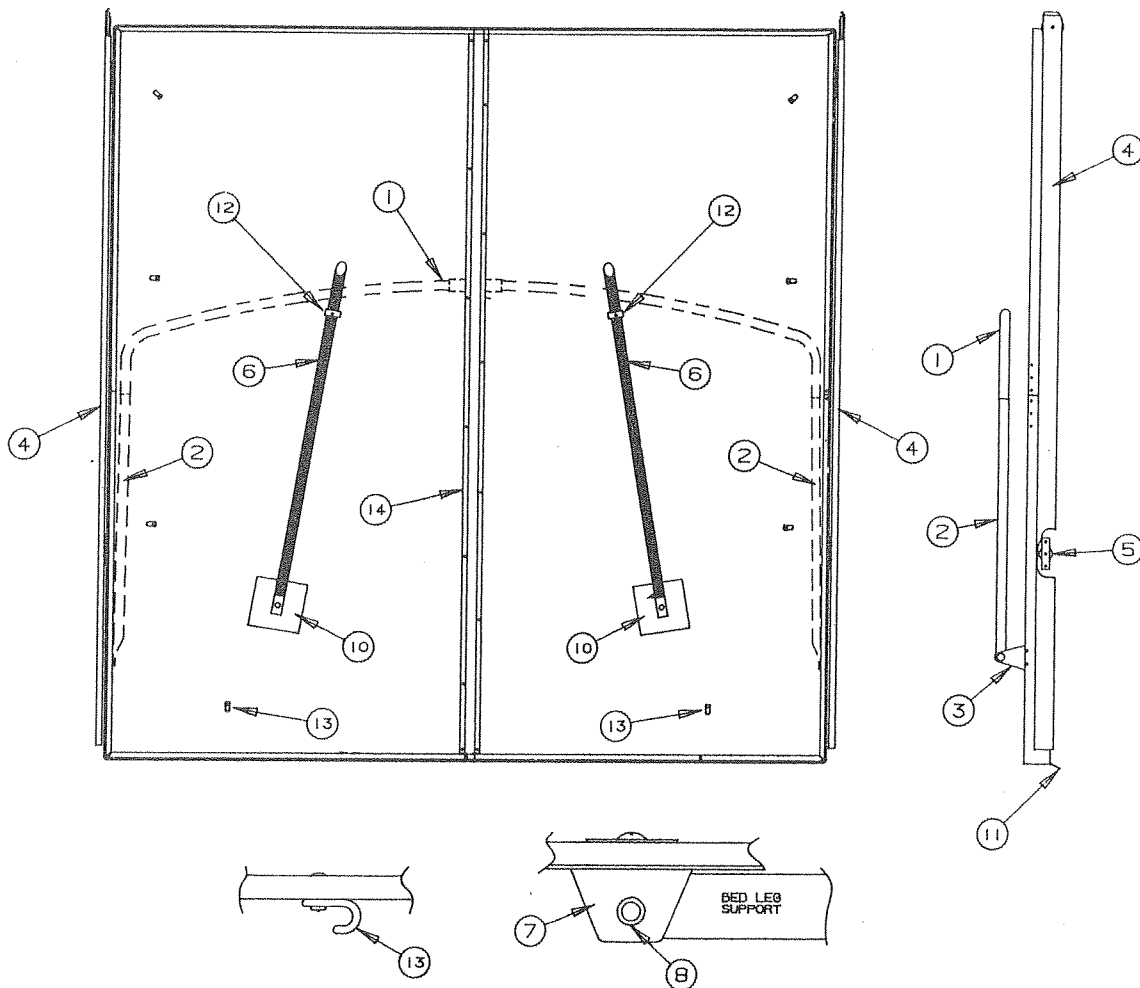
4745A505 BULKHEAD  
ASSY FRONT  
(COMPLETE)

**ACCESS DOOR BULKHEAD ASSEMBLIES**

- 4745A505 FRONT (COMPLETE)
- 4745A506 REAR (COMPLETE)

CODE	PART NO.	DESCRIPTION
1	4745-081	Door seal (rubber)
2	4745A025	Metal door seal
3	4733C0601	Rivet x6, M25
4	4744-050	Tex screw x5





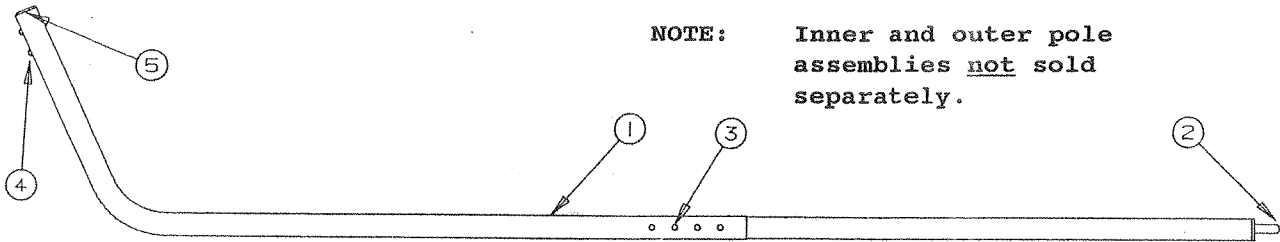
**BED ASSEMBLIES AND COMPONENT PARTS**

- 4745B520 Rear bed, complete
- 4745B590 Front bed, complete

CODE	PART NO.	DESCRIPTION
1	4745A2151	Upper tent bow assy (all)
2	4745A0501	Lower tent bow support x2
	4733-4118	Tek screw x2
3	4720F5631	Bed bow bracket x2
	4716-078	Screw x2
	4733-4118	Tex screw x1
	4734B1861	Rivet x2, M25
4	4745A6291	Bed extension, (all) except right rear
	4746-5131	Bed extension, right rear (over access door)
	4720B0831	Large plastic wheel x1
	4731A1288	Flathead rivet (wheel to extension)
5	4720B5621	Roller assy x2
	4731-471	Roller spacer x2
	4734B1861	Rivet, (roller assy to bed frame) x4

CODE	PART NO.	DESCRIPTION
6	4734E5881	Bed leg support x2 long bed (front bed assy)
	4745-6331	Bed leg support x2 short bed (rear bed assy)
7	4734A5141	Bed leg support bracket
8	4720A2361	Rod & pal nut assy
9	1040B1614	Screw x1
	1202B2528	Washer x1
	4739-2918	Screw cap washer x1
	4739A2908	Screw cap x1
10	4737A4178	Support plate 6" x 6"
11	4060000339	Bed seal (sold per foot)
12	4720C0771	Bed leg support clip x2, M <sup>4</sup>
	1203-8831	Rivet x2, M25
13	4720D4021	Lashing hook, x10, M6
	1203-8741	Rivet x10, M25
14	4746-244	Bed channel (all)
	1203C8721	Rivet, M25





NOTE: Inner and outer pole assemblies not sold separately.

**TENT SUPPORT ASSEMBLY, 2499 (COMPLETE)**

CODE	PART NO.	DESCRIPTION
1	4745A5931	Tent support x2 (both beds) (complete)
2	8470-1728	Pole pin, blue
3	4734-6708	Spring assy
4	4734A6708	Spring assy
5	4730B4648	Tube closure
6	4733-4118	Tek screw

**MATTRESS ASSEMBLIES**

4745C6591 Front/Rear mattress assy x2  
4716C6591 Front/Rear mattress cover x2

**Mattress Reference Dimensions**

74 1/2 x 67 1/2 x 3 3/4"

**DRAPES AND CURTAINS**

Drape package 4745C6621  
5 Panels

Note: Valance **not** included  
in drape package

Drape tie package 4716C6621  
(5 in a package)

Valance 4745B6871  
3 Valances/Set

Fabric 811-54-005-06

**Single Drape Panel with safety tie** 4716A0451

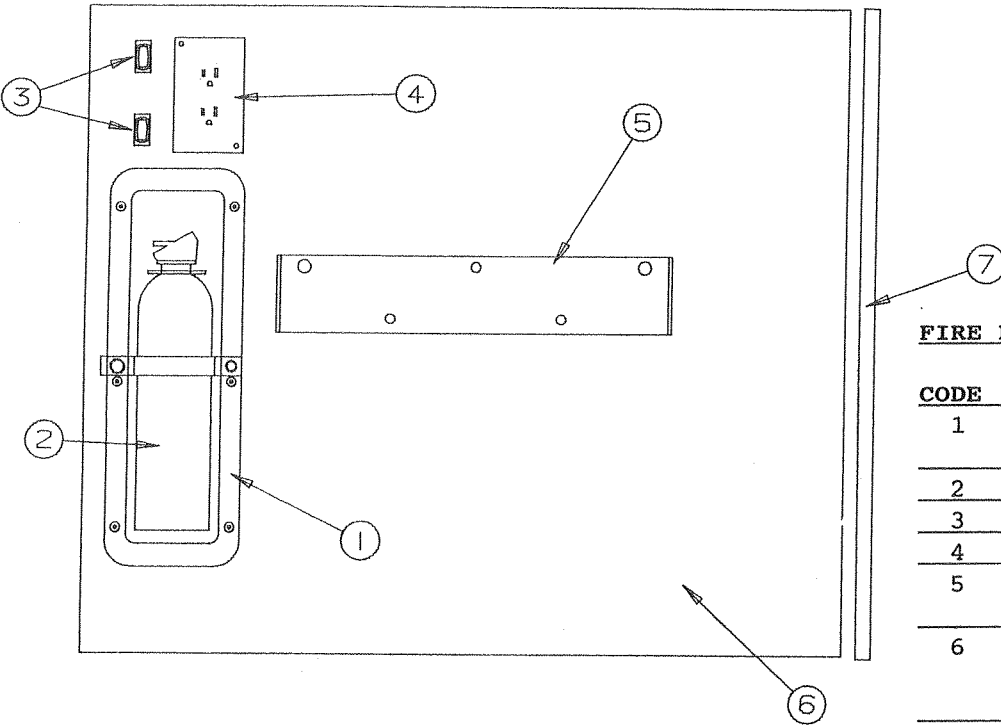
Curtain glide package, M20 4745-4561

End cap package, M8 4745-4571

Shower Curtain 4724A7111

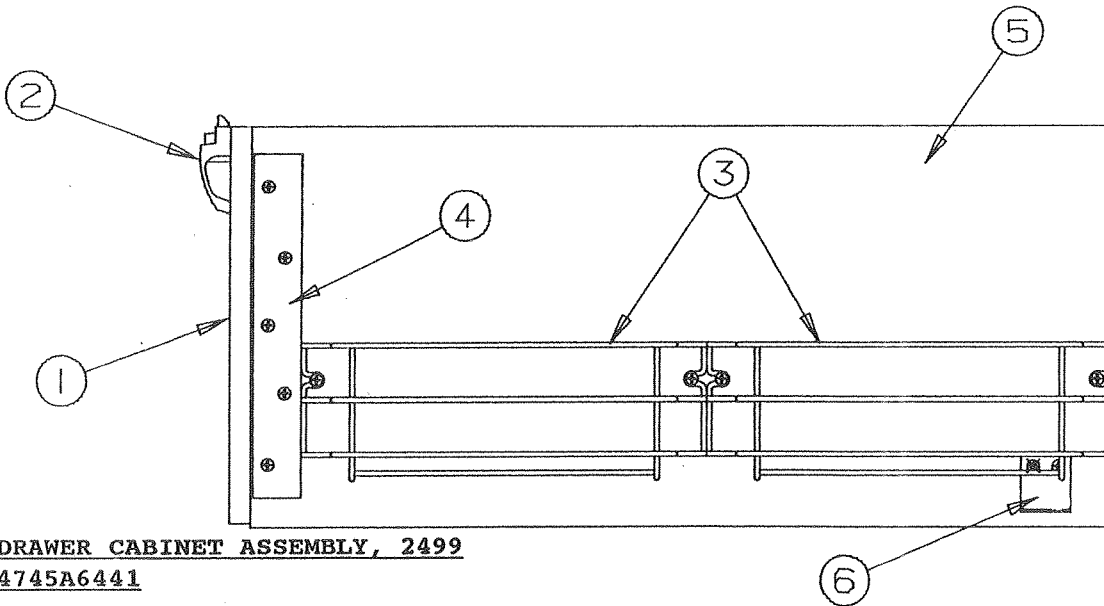
# FIRE EXTINGUISHER DRAWER CABINET

# 1990 PLANTATION PARTS LIST



### FIRE EXTINGUISHER AND RELATED PARTS

CODE	PART NO.	DESCRIPTION
1	4737B4198	Recessed fire mount
	4734-1861	Rivet x6, M25
2	4737A5558	Fire extinguisher
3	4733B4981	Rocker switch x2
4	4710B3551	15 AMP receptacle
5	4745-4141	Wall bracket x1
	1107B0818	Screw x3
6	4745A4421	Universal wall panel (48" x 25 3/16") classic oak
7	4741C8971	Corner divider x1

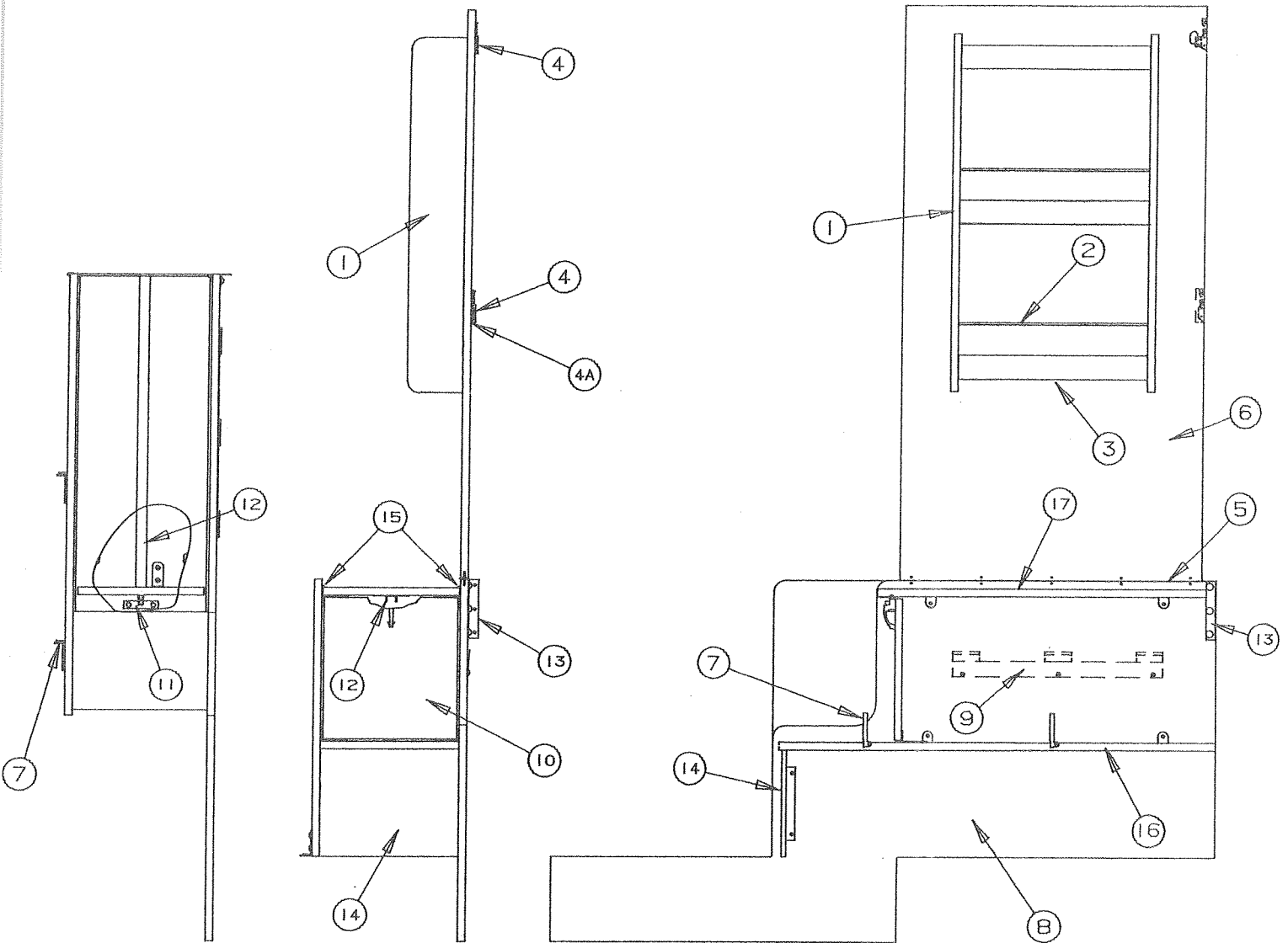


**DRAWER CABINET ASSEMBLY, 2499**  
**4745A6441**

CODE	PART NO.	DESCRIPTION
1	4746A3181	Drawer front
2	4733B2211	Latch x1
	4716-055	Screw x2
3	4746-327	Maxi organizer x4 (screws included)
4	4746-313	Angle x2
	4737-8478	Screw x10
5	4746A319	Drawer Center x1
6	4746A321	Stop angle x1
	4716-060	Screw x2
	1201B6958	Keypnuts x2

# 1990 PLANTATION PARTS LIST

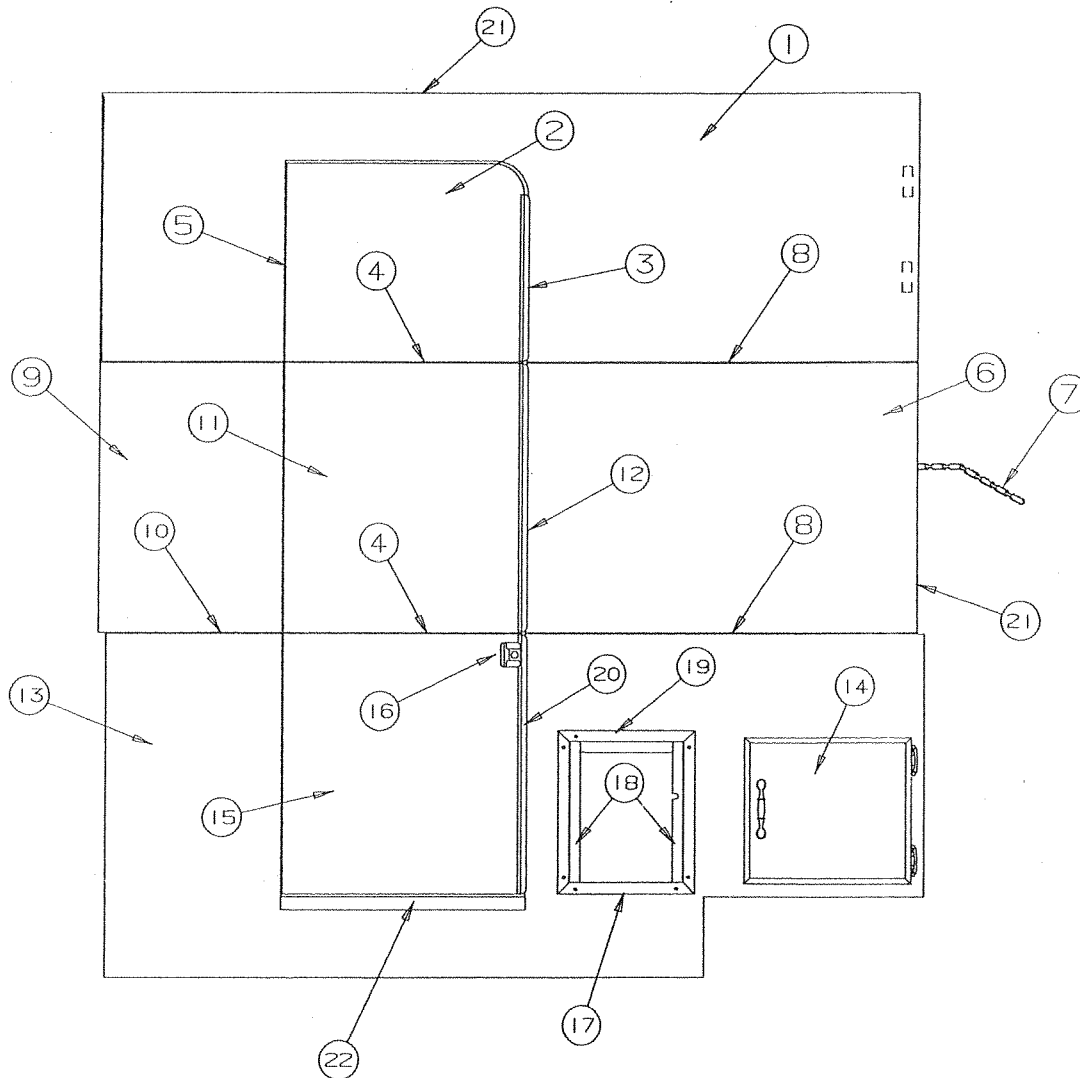
## WALL PANEL ASSY MAGAZINE RACK



### WALL PANEL ASSEMBLY, 2499

CODE	PART NO.	DESCRIPTION
1	4745C6411	Magazine rack assy
2	4749-246	Brace rod x2
3	4733A0811	Paper towel holder
	4734A1861	Rivet x2 M25
	1202B0268	Washer x2
4	4746-1561	Wall latch x2
	4716-068	Screw x4
	4746-1571	Wall latch key x2
	1103B0612	Screw x2
4A	4746-3658	Spacer x1
	1114B0828	Screw x2
5	4746A328	Hinge x1
6	4746C2921	Fold down wall
7	4746-399	Tab-Lock cable clamp x2
	4737-8488	Screw x2
8	4745B938	Wall gazoodi

CODE	PART NO.	DESCRIPTION
9	<b>NOTE:</b>	<b>Potti bracket and screws supplied with potti.</b>
10	4745A6441	Drawer assy (complete)
11	4746-417	Strike plate x2
	4738-3088	Screw x4
12	4746-317	Slide channel x2
	1114B0608	Screw x8
13	4746-303	Angle x1
	4737-8488	Screw x3
	4739-2918	Screw cap washer x3
	4739A2908	Screw cap x3
14	4746A320	Kick board x2
15	4060025004	Welting
16	4746A3141	Cabinet shelf
17	4746A3161	Cabinet top



BATHROOM WALL ASSEMBLY - FRONT - 2499

CODE	PART NO.	DESCRIPTION
1	4745E9701	Upper bath wall
	4745-2601	Handle (inside upper bath wall)
2	4745E9621	Door (top)
3	4745B3281	Upper door trim
4	4746A3071	Hinge, x2 - M2
5	4746A3051	Hinge
6	4745E9631	Middle right bath wall
7	4716-527	Chain, 18"
	4716-059	Screw
8	4746A3081	Hinge, x2 - M2
9	4745E9691	Middle left bath wall
10	4746A3091	Hinge
11	4745D3391	Door (middle)
12	4746A2911	Middle door trim
13	4745C9671	Lower bath wall

CODE	PART NO.	DESCRIPTION
14	4745B6281	Door assy
	4739B0508	Handle
	4716-055	Screw
	4745A2618	Hinge
15	4745D3401	Door (bottom)
16	4746-3591	Latch
17	4746A3011	Filler bottom
18	4746A3021	Filler side x2 - M2
	4738-3088	Screw x4
19	4746A3001	Filler top
	4738-3088	Screw x4
20	4745B3271	Lower trim (bottom)
21	4060000080	T molding 5/8"
22	4746-345	Bath wall nosing

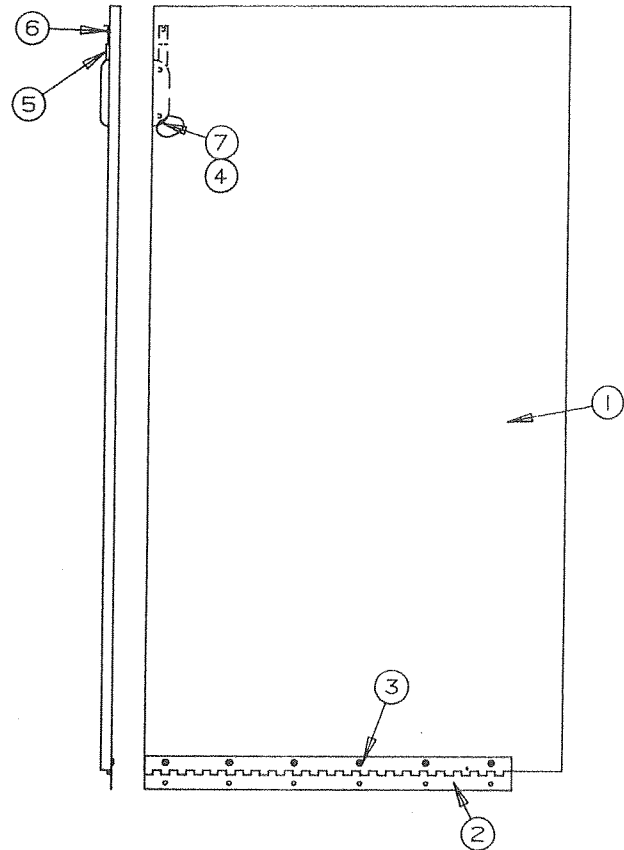


# 1990 PLANTATION PARTS LIST

## FOLD DOWN WALL PARTS PKG PANELING & TRIM

**FOLD DOWN WALL ASSEMBLY, 2499**  
(Behind the bathtub assy)

CODE	PART NO.	DESCRIPTION
1	4746A3121	Fold down wall
2	4746-3291	Hinge
3	4737-8478	Screw
4	4746-1561	Wall latch
5	4746-1571	Wall latch key
6	1200B4458	Screw x1
7	4716-068	Screw x2
8	4060000078	T molding 3/4 "



**PARTS PACKAGE**

4745C5411	Parts package 2499
4730A3211	Access door key M10
4732A4791	Safety pin M10
4771-2631	Hitch pin, M5
4735D6741	Pigtail
4745-3031	Safety chain
4745-6091	Stabilizer handle
4745-6211	Crank handle
4746-0401	Breakaway switch kit
4746-0991	Bargman receptacle kit
1200E1338	1/4 - 20 x 2" Hex-head bolt
1201B6038	1/4 - 20 Lock nut x2

**PANELING AND TRIM**

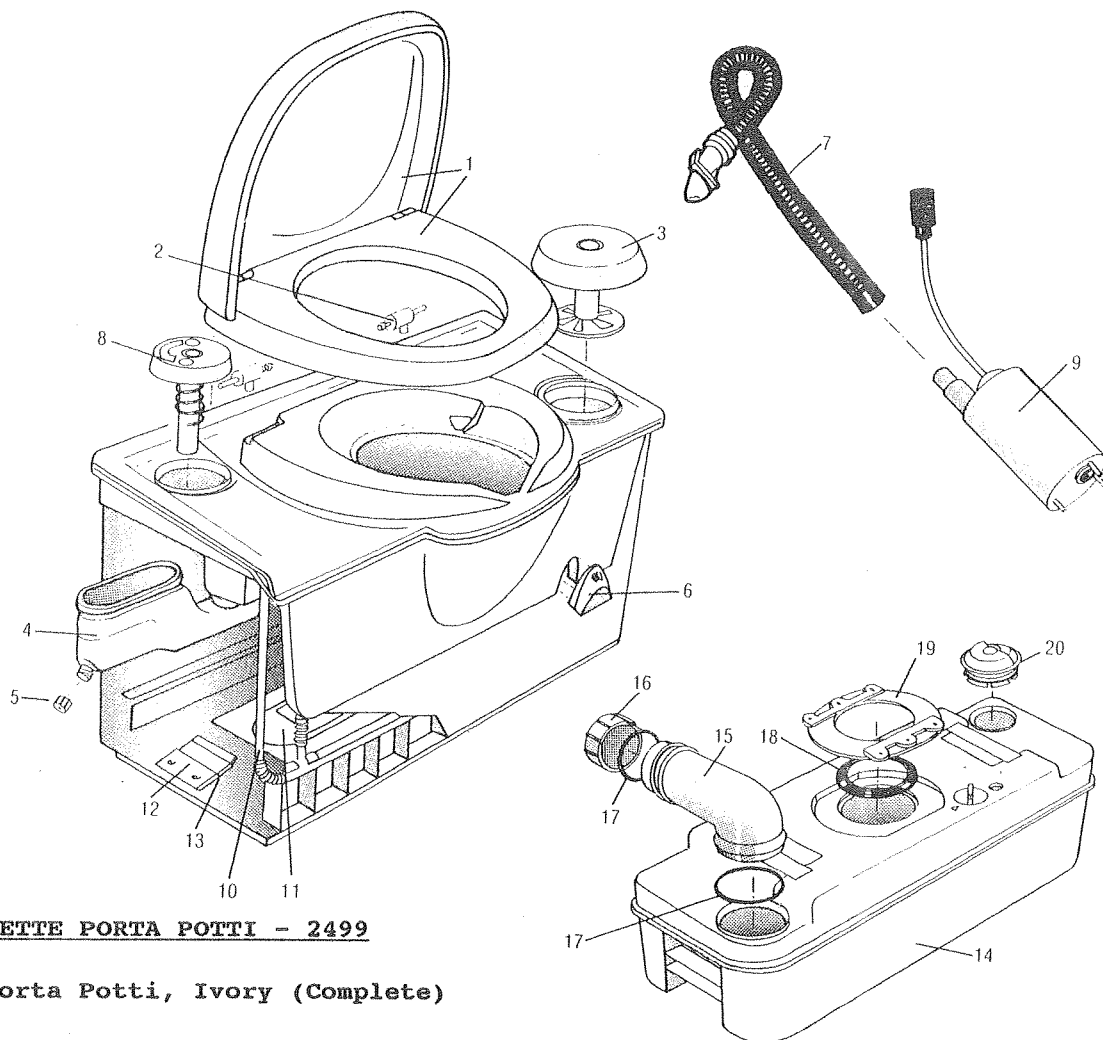
4745A4421	Luan paneling - classic oak (25 3/16 x 48")
4745A4211	Panel divider M5 (24 3/4")
4745A4221	Corner divider M3 (24 3/4")
4745A9321	Toe molding M3 (35 7/8")
4745C2211	Outside corner molding M2 (34 1/4")
4745A8601	Inside corner molding M4 (23 1/4")

**STEP DOWN LIGHT**

4746-3631	Versa light x1 (Located on the edge of drop down floor)
-----------	------------------------------------------------------------

**TOUCH-UP PAINT - 16 oz spray**

0008A2441	Colonial White
0008-2471	Black



**THETFORD CASSETTE PORTA POTTI - 2499**

4746A2461 - Porta Potti, Ivory (Complete)

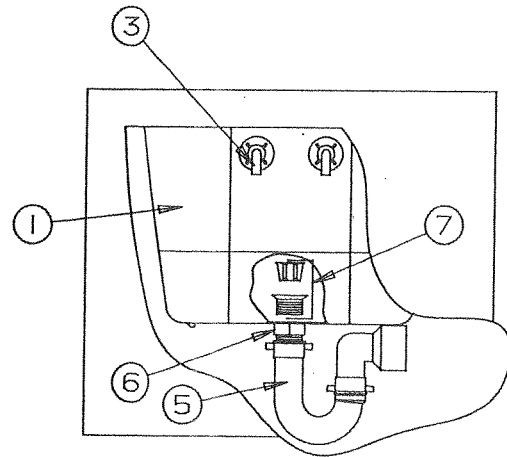
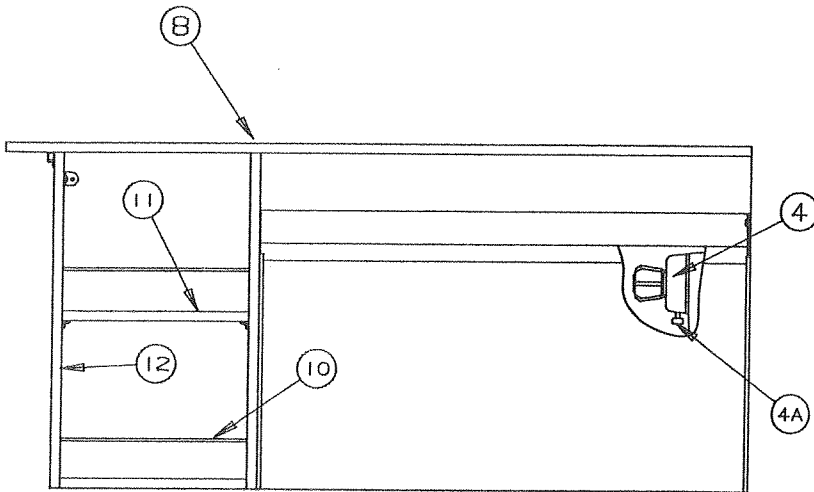
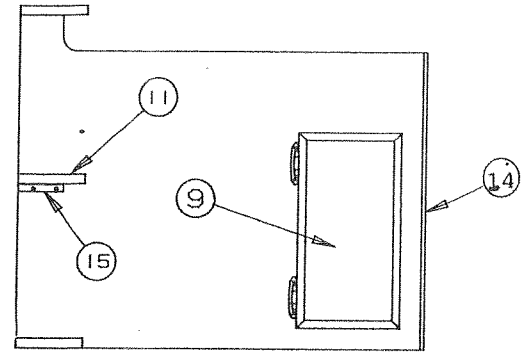
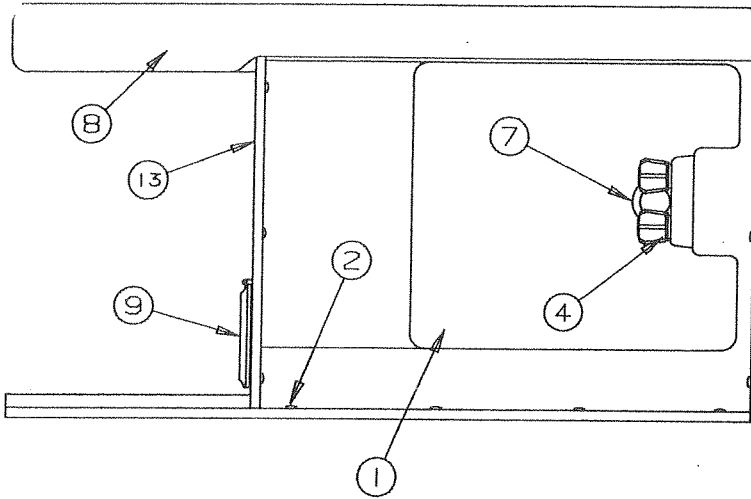
All Warranty Service and Parts Procurement for this item will be handled directly by:

Thetford Corporation  
P. O. Box 1285  
Ann Harbor, MI 48106  
Phone: 800-521-3032

CODE	PART NO.	DESCRIPTION
1	16194-10	Seat & cover assy, ivory
2	16183-10	Hinge post/hinge pin/seat & cover, ivory
3	16184-10	Tissue holder assy/ivory
4	16381	Water fill funnel assy
5	16385	Drain cap/water fill funnel
6	16171-10	Level indicator assy waste tank, ivory
7	16378-10	Flush tube assy, ivory
8	16377-10	Flush knob/ivory
9	16374	Pump with connector
10	16387	Sight glass tube
11	16166-10	Drip tray/ivory
12	16350-10	Clip & clip retainer

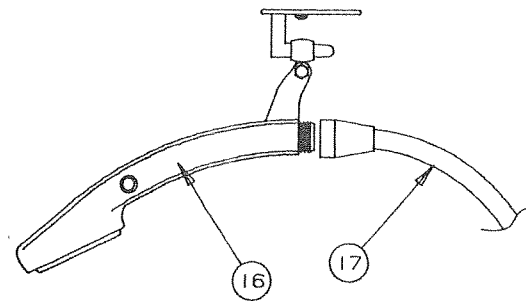
13	16169	Spring (retainer clip)
14	16380-10	Holding tank/ivory
15	16196	Spout assy
16	16384-10	Dump cap assy/ivory
17	16195	Cap seal & spout seal
18	16175	Lip seal
19	16193-10	Seal cover & screws/ivory
20	16176-10	Vent plug assy/ivory
21	16376-45	Door complete 22/28mm wall/brown
	16383	Screw pack 28/40mm
22	16179	Hinge pin door
23	16382	Door seal
24	16388	Door lock assy
25	16199	Door keys (2)
26	16379-10	Mechanism assy/ivory
27	16375	Link mechanism
28	16389	Wiring harness
29	16390-10	Switch cover/ivory
30	16391	Fuse, 2.5 AMP
31	16392	Owners manual

# 1990 PLANTATION TUB & TUB SHELF ASSY & COMPONENTS PARTS LIST



**TUB SHELF ASSY 4745B643**

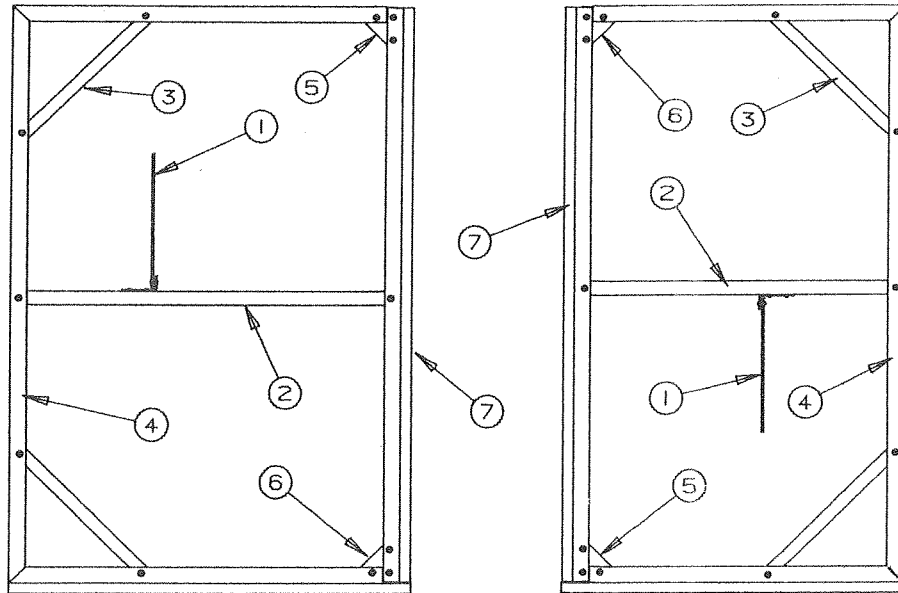
CODE	PART NO.	DESCRIPTION
1	4746-3601	Bathtub
2	4739A2908	Screw cap, white x10
	4739-4608	Screw x10
	4739-2918	Screw cap washer x10
3	4741-9068	Swivel elbow x2
4	4741A2071	Faucet assy
4A	4716-0848	Shower hose connector
5	4741A9328	P-trap x1
6	4737-8328	Plastic nut
7	4730D3151	Basket strainer
8	4746B3231	Tub shelf top (removable)
	4733-6391	Latch & strike pkg x3
	4738-3088	Screw x9
9	4745B6481	Door assy
	4745A2618	Hinge x2
	4738-3088	Screw x4
10	4749-2451	Rod x2
11	4747-291	Shelf x2
12	4747-292	Shelf side x1
13	4746B332	Tub wall x1
14	4060025004	Welting, 18"



CODE	PART NO.	DESCRIPTION
15	4746-497	Angle bracket x2
	4737-8488	Screw x8
16	4746-3761	Shower head w/hanger
17	4741A2051	Shower hose x1
18	4724A7111	Shower curtain (not shown)

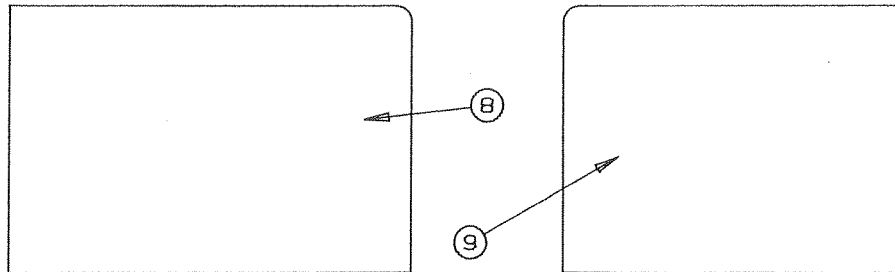
**4745A5601 TUB PKG**

4746-3761	Shower head with hanger
4741A2051	Shower hose
4737-9138	1- 1/2" to 3/4" drain adaptor



LEFT

RIGHT



**SEAT FRAME ASSEMBLIES**

	LEFT	RIGHT
	2499 4745C564	4745B685

NOTE: (Seat Frame Assemblies are special orders)

NOTE: 4733B4981  
Rocker switch x1  
Located on the side of the right frame assembly wood panel.

CODE	PART NO.	DESCRIPTION
1	4744-6961	Support arm assembly
	4733A0601	Rivet x2, M25
2	4745A296	Cushion support, (right frame)
	4746-248	Cushion support, (left frame)
3	4745-299	Seat cushion support
4	4745A837	Seat support, (right frame)
	4746-247	Seat support, (left frame)
5	4745-298	Seat bracket (left frame)
6	4745-297	Seat bracket (right frame)
7	4745-836	Table rest
8	4746A2491	Seat end (left frame)
	4745-295	Bracket x2 (both seat ends)
	4737-8488	Screw x6 (both seat ends)
9	4745B9301	Seat end (right frame)
	4746-399	Tab-Loc cable clamp x2
	4737-8488	Screw x2





# 1990 PLANTATION PARTS LIST

## CUSHIONS AND BACKRESTS EVOLUTION ASSY'S

CUSHION AND BACKREST

Dinette cushion assy, front	4745B6861	35 3/4 x 17 5/8 x 3 5/8"
Dinette cushion cover	4716A6861	
Dinette cushion assy, rear	4745C6541	35 3/4 x 21 3/8 x 3 5/8"
Dinette cushion cover	4716A6541	
Dinette backrest assy x2 (NOTE)Cover not available	4745C6551	34 3/4 x 15 x 3 3/8"
Wardrobe cushion assy	4745E6561	39 X 21 3/8 x 3 3/8"
Wardrobe cushion cover	4716A6561	
Wardrobe backrest (NOTE)Cover not available	4745C6571	39 1/4 x 15 x 3 3/8"

**NOTE: Cover not available on dinette backrest assy and wardrobe backrest assy must order complete assy.**

- 4710-2681 Stop button, M5
- 1034B0828 Screw
  
- 4746A413 Wood stop rest, x1  
only on wardrobe cushion assy

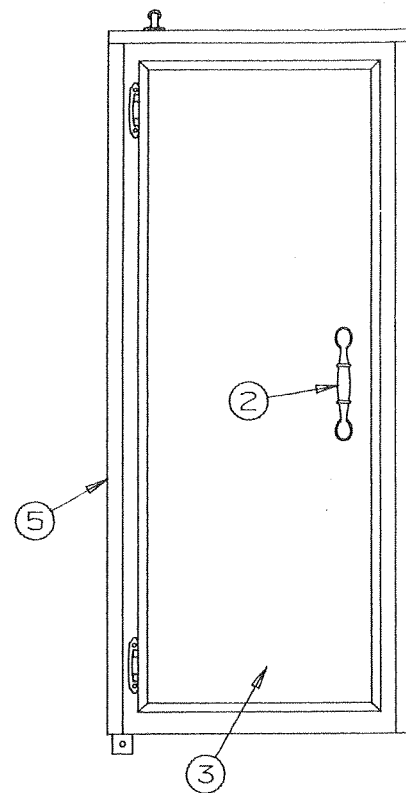
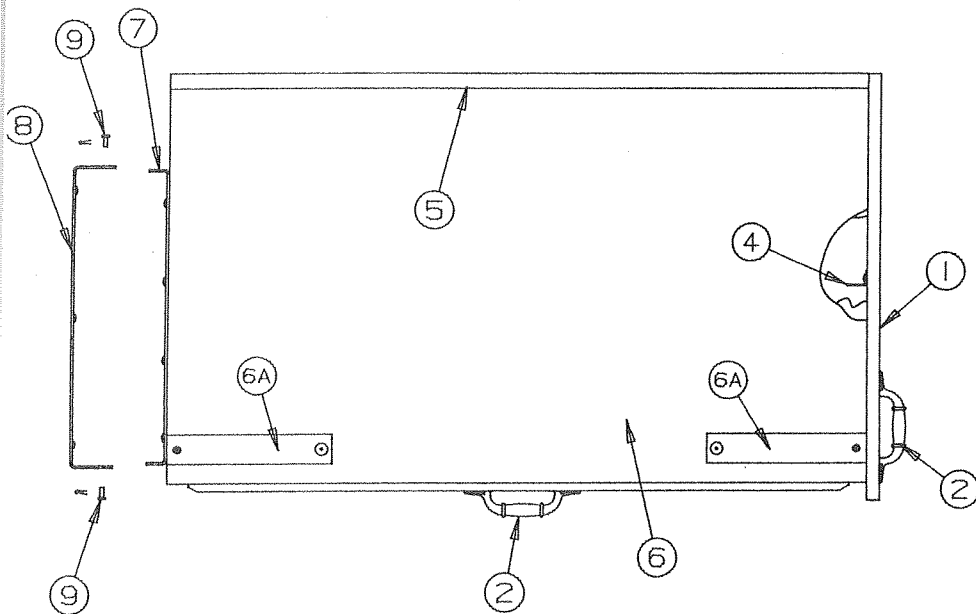
EVOLUTION TENT SECTION

Grey Evol

Vinyl - Exterior - Pewter

Vinyl - Interior - White

<u>PART NO.</u>	<u>DESCRIPTION</u>	<u>ZIPPER</u>		
4716B6811	Front bed	1225G3708 x1		
4716B6811	Rear bed	1225G3708 x1		
4716B6801	Large window	1225G3698 x2		
4716B6831	Small window	1225G3698 x1		
4716B6791	Door seal	1225G3698 x1		
			8115400017	Evol III 7 oz. 54" (sold per yard)
6650500128	No. 42 Talon chain zipper, natural (sold per yard) (used around windows)		8118001427	Top Vinyl, Grey/exterior, white/interior 80" (sold per yard) (used around bottom of Evolution section)
1225-4441	No 42 Zipper pull, M5		8118001428	Top Vinyl, Colonial White back - Bed Section (sold per yard)
			8160000320	Bias binding - gray 3" (10 yds per bed section) (sold per yard)
4060000024	Arrowhead seal (Sold per foot)		4060100056	Flexible Vinyl (sold per foot)
4714B6021	Shock cord 14', M2		4745-5961	Tent extension wire harness curbside, rear
4724-2011	Shock cord clamp, M10			
4060000055	5/16" O.D. vinyl tube (sold per foot)		4714D1611	54" x 3 yds Screen package
			4714-0361	54" x 13 yds Screen package
4060001201	36" 12 Mil. clear vinyl (sold per yard)		4743-1588	K Kote seam sealer



**WARDROBE CABINET ASSEMBLY -2499**

4745E5251 Wardrobe cabinet assembly, (complete)

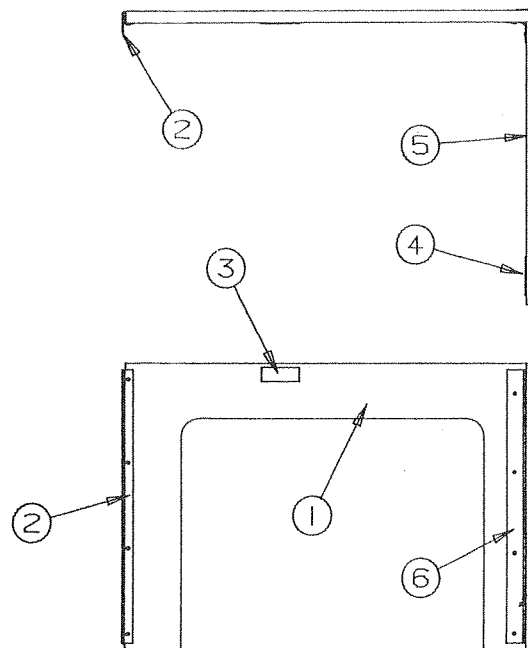
CODE	PART NO.	DESCRIPTION
1	4745C1931	Cabinet top
	4060000080	T molding 5/8"
2	4739B0508	Handle x2
	4716-055	Screw x4
3	4745C5111	Door assy
	4745A2618	Hinge x2
	4749-411	Screw x4 (screw hinge to back of door)
	4738-3088	Screw x4 (screw hinge to front of cabinet)
4	4745-1851	Wardrobe hanger x1 (inside cabinet)
	4716-076	Screw x3
5	4745C2211	Outside corner x4, M2
6	4749-118	Cabinet side x2

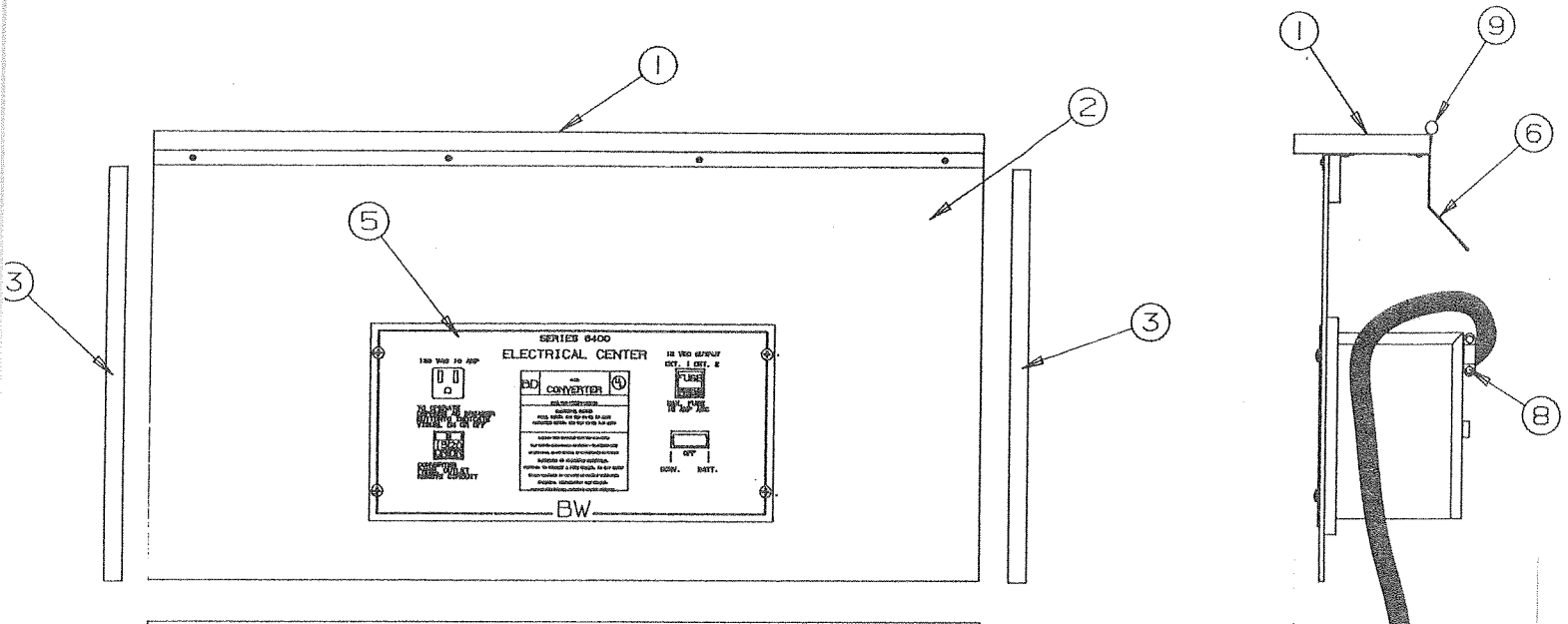
6A	4746A413	Wardrobe cushion stop
	4744-4608	Rivet x2
	1202B0268	Washer x2
	4716-068	Screw x2
7	4745A4151	Cabinet bracket x1
	4716-065	Screw x4
8	4745-4141	Wall bracket x1
	1107B0818	Screw x3
9	4720C1578	Short pin x2
	1204B1081	Cotter pin, M10

**WARDROBE CABINET ASSEMBLY - LOWER, 2499**

4745A5261 Wardrobe cabinet assembly, lower (complete)

CODE	PART NO.	DESCRIPTION
1	4745A4111	Cabinet side
2	4745-4101	hinge x1
	4716-076	Screw x4
3	4724D2631	Velcro hook x2, 3/4"
4	4723-8351	Velcro loop x2, 3/4"
5	4745A4121	Cabinet front x1
6	4745-4091	Hinge x1
	4716-076	Screw x7





**2499 CONVERTER CABINET ASSEMBLY**

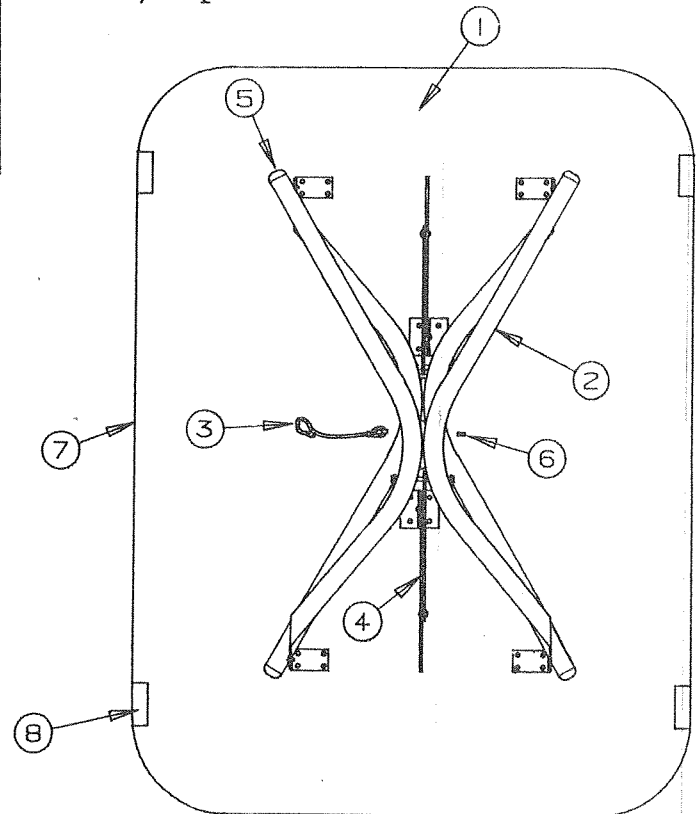
CODE	PART NO.	DESCRIPTION
1	4745B865	Converter cabinet top
2	4714D4501	Universal wall panel (48 x 18 1/8") classic oak
3	4741C8971	Corner divider x2
4	4741B8961	Toe molding
5	4745A1571	Converter 15 AMP - B&W
6	4744-235	Converter baffle x1
	1103B0806	Screw x2
7	4744-3101	Power cord, 28 ft 30AMP
8	1216-457	Strain relief
	4746-399	Tab-Loc cable clamp
9	4060025004	Welting 26 11/16" long

**Table Top Dimensions**

4745B8591                      26 3/4 x 36"  
5/8" particle board - Brown Granite

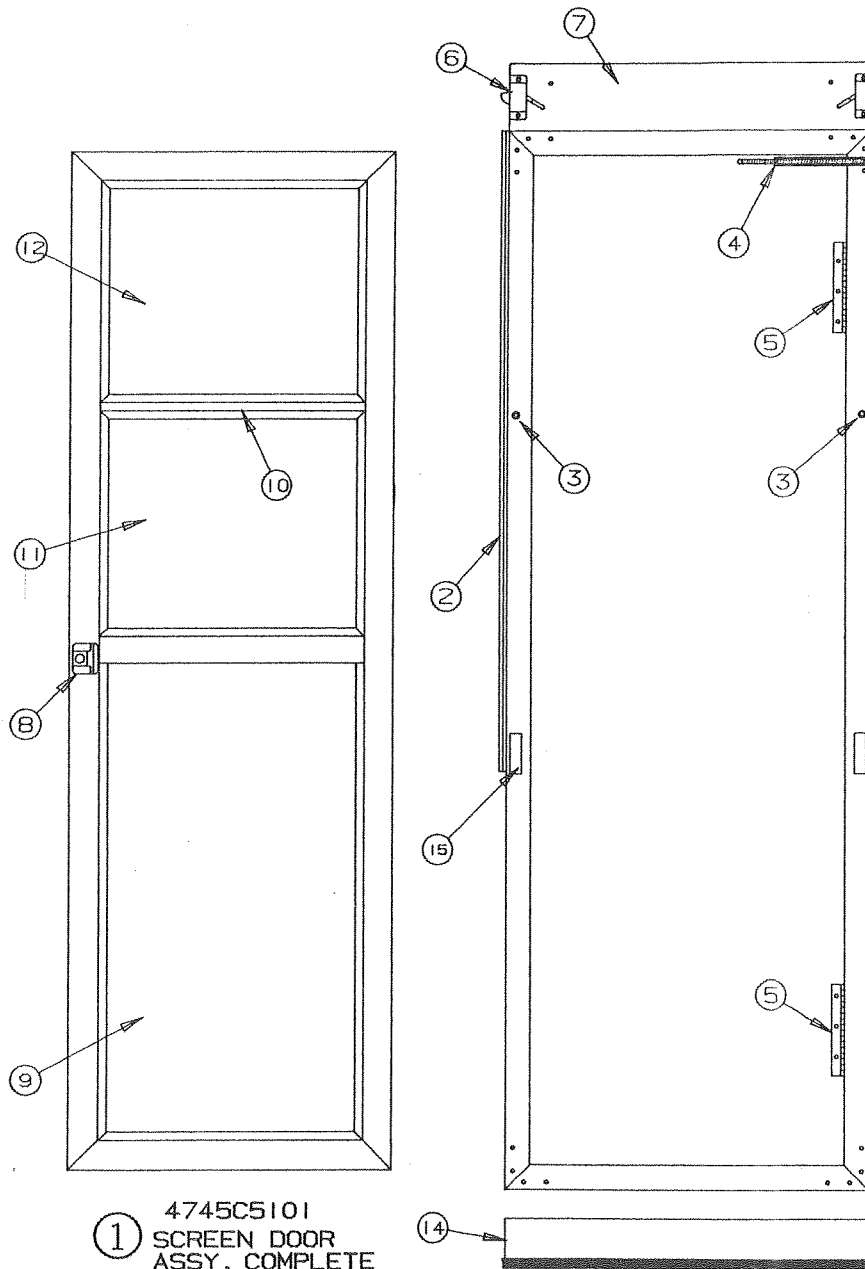
**DINETTE TABLE ASSEMBLY**

CODE	PART NO.	DESCRIPTION
1	4745B8591	DINETTE table top
2	4745-5271	DINETTE table leg assembly (includes hardware to install legs, M2)
3	4720B5951	Table strap assembly, M4 8" length
4	4744-6971	Lock brace package
	4737-8488	Screw, brace-to-top
5	4720C3928	Table leg cap
6	4720D4021	Lashing hook, M6
7	4060000080	5/8" T molding
8	4724D2631	Velcro hook
	4724E263	Velcro loop (located on the seat frame assy)



# SCREEN DOOR AND JAMB ASSY

# 1990 PLANTATION PARTS LIST



① 4745C5101  
SCREEN DOOR  
ASSY. COMPLETE

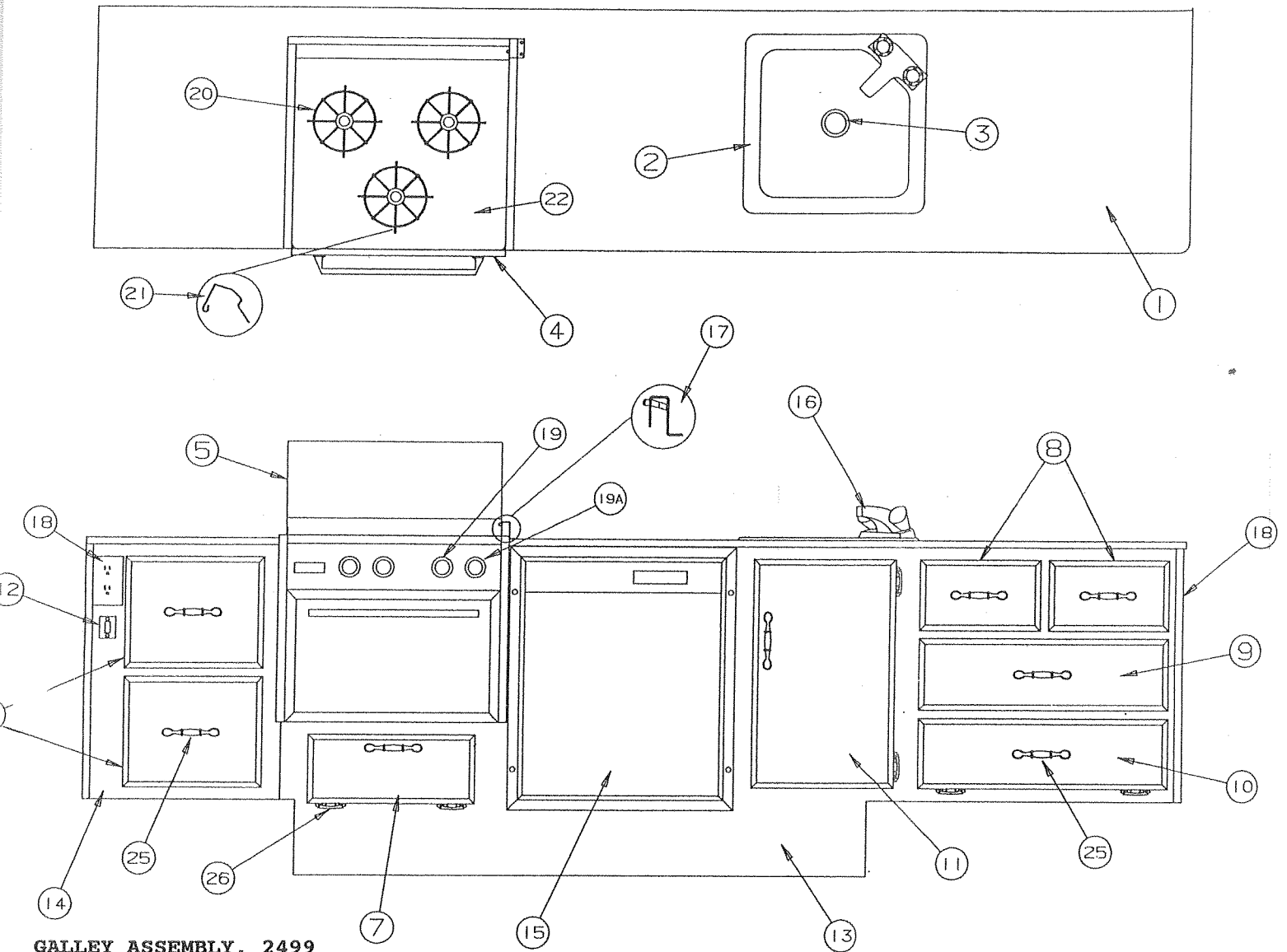
## SCREEN DOOR AND JAMB ASSEMBLY

Note: Door and jamb not available separately.

4745C5101 Screen door and jamb assy

CODE	PART NO.	DESCRIPTION
1	4745C5101	Door & jamb assy (complete) (Door jamb not sold separately)
2	4745A1271	Door seal, 39" long, M2
	4741B9861	Rivet, M25
3	4730A3548	Stud and screw x2
4	4731A8201	Screen door spring assy
	1203-8741	Rivet x1 (spring to jamb) M25
	4734B1861	Rivet, M25
5	4720F3601	Screen door hinge x2
	4741B9861	Rivet, M25
6	4741-8658	Sash lock x2
	1203-8651	Rivet x2, M50

CODE	PART NO.	DESCRIPTION
7	4741B8831	Top bracket
	4734B1861	Rivet x6, M25
8	4733C4791	Latch assy pkg
	1202B0268	Washer x2
9	4737B8771	Kick plate
10	4060000385	Weather strip - 18" length
11	4710A5041	Fixed window pane x1
12	4710B3781	Sliding window pane x1
13	4710C5011	Screen panel x1 (not shown)
14	4741D6221	Screen door support
	1114B1012	Screw x4
	4060000399	Rubber seal (sold per foot)
15	4350000005	Velcro hook, grey, 3/4"



**GALLEY ASSEMBLY, 2499**

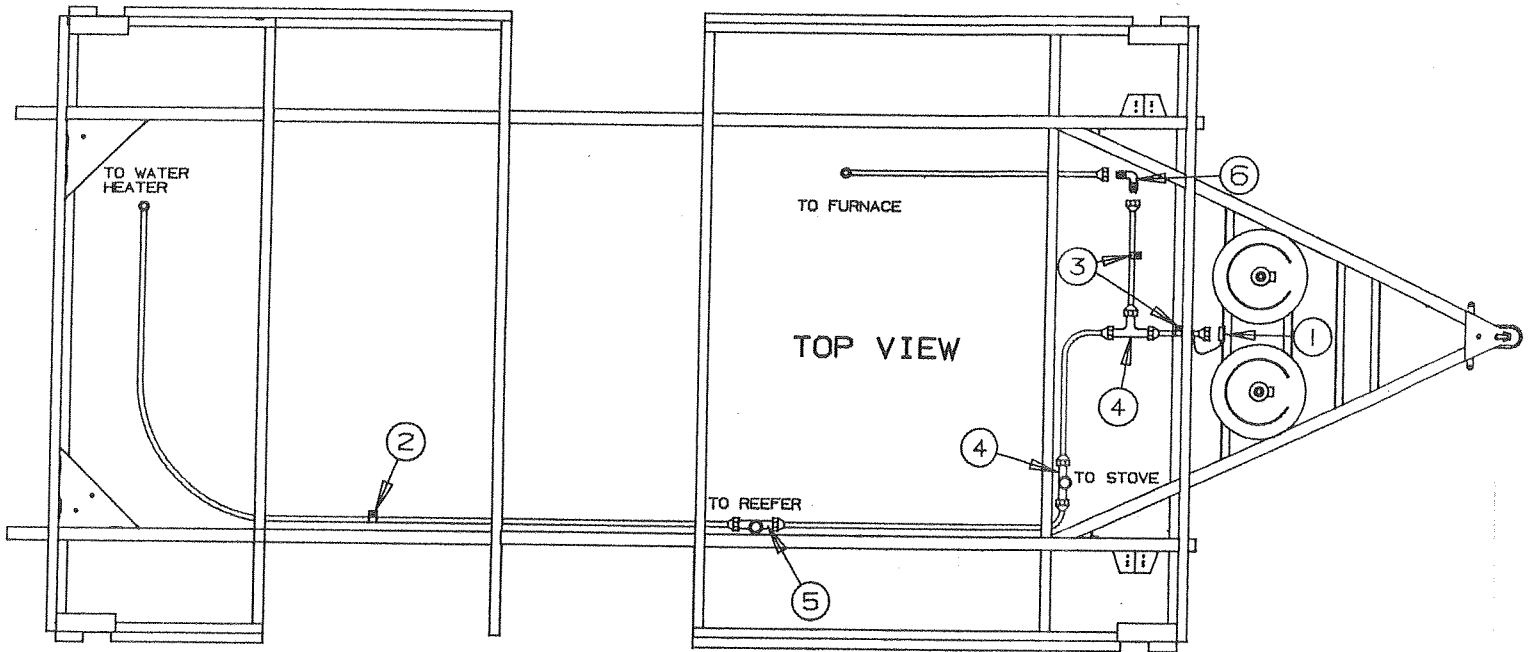
CODE	PART NO.	DESCRIPTION
1	4745D8571	Cabinet top
2	4745-2801	Sink
3	4730D3151	Basket strainer
	4741A9328	P-Trap
4	4737A9701	3 Burner range & oven
5	4745-3181	Stove cover
6	4745B6361	Drawer assy, x2
7	4745E5731	Door assy
8	4745B6381	Drawer assy, x2
9	4745B6391	Drawer assy
10	4745C6401	Door assy
11	4745D5761	Door assy
12	4733A4981	Light switch
13	4745B855	Cabinet front, large
14	4745B8561	Cabinet front, small
15	4745-171	Refrigerator
16	4745A2741	Faucet

CODE	PART NO.	DESCRIPTION
17	4746-1531	Stove latch bracket (inc spring clip and screws)
	1103E1018	Screw x2
	4734-6708	Spring clip assy
18	4710B3551	Receptacle x2
19	4716-9731	On/Off knob x3
19A	4716-9741	Thermostat knob x1
20	4716-9711	Grate x3
21	4716-9721	Grate clip pkg M8
22	4716-9701	3 Burner range top
23	4060025004	Welting (not shown)
24	4060000080	T molding (not shown)

**CABINET DOOR HARDWARE**

<b>25</b>	4739B0508	Door handle
	4716-055	Screw

<b>26</b>	4745A2618	Door hinge
	4738-3088	Screw



**GAS LINE SYSTEM - 2499**

CODE	PART NO.	DESCRIPTION
1	4737-8388	Plastic cap w/chain
2	4746-1318	1/2" tube clamp
	4733-4118	Tek screw
3	1201-8738	1/2" tube clamp, rubber-coated
	4733-4118	Tek screw
4	1215-1798	Tee, 1/2-1/2-1/2" (used x2)
5	1215-1788	Tee, 1/2-3/8-3/8"
6	1215-5168	Elbow

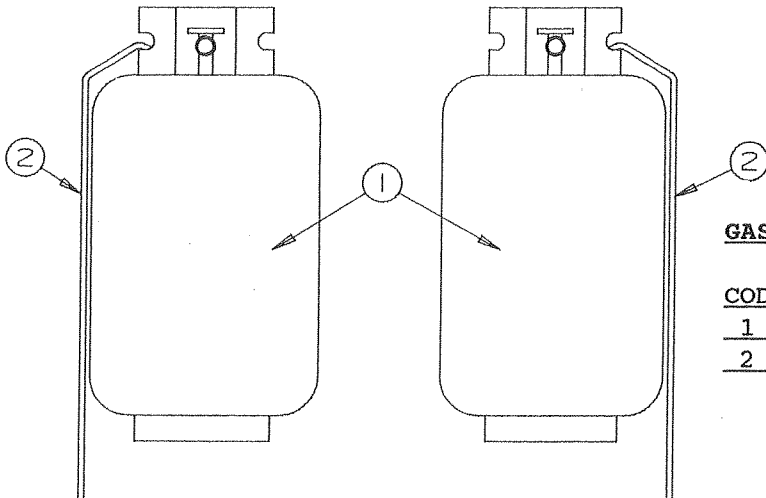
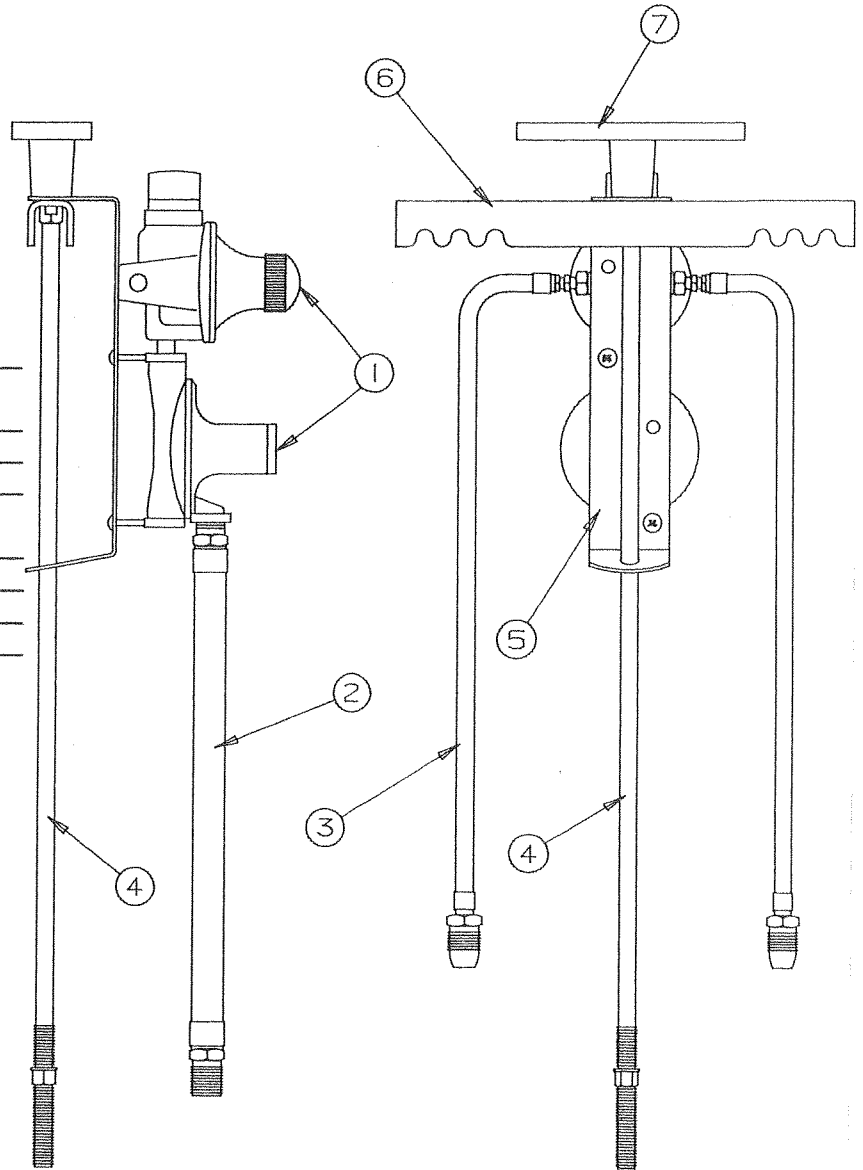
1215-2418 Flare nut for 3/8" copper line  
 1215-2438 Flare nut for 1/2" copper line

4745A630 3/8" O.D. copper line, 150" (includes  
 2 flare nuts)

4746-178 Floor bushing

**DUAL GAS BOTTLE MOUNTING PKG - 2499  
4746-5151**

CODE	PART NO.	DESCRIPTION
1	4746-4251	Regulator
	4746-4231	Regulator cover
2	4746-4261	Pigtail gas hose 21"
3	4746-4241	Gas hose x2
4	4746-420	Rod x1
	4739-2298	Wiz locknut
5	4746-4196	Regulator bracket x1
6	4746-421	Tie down bracket
7	4746-4221	Wing nut x1



**GAS BOTTLES AND MOUNTING BRACKETS**

CODE	PART NO.	DESCRIPTION
1	4720H5928	Gas bottle (2 required)
2	4733F6281	Gas bottle mounting pkg

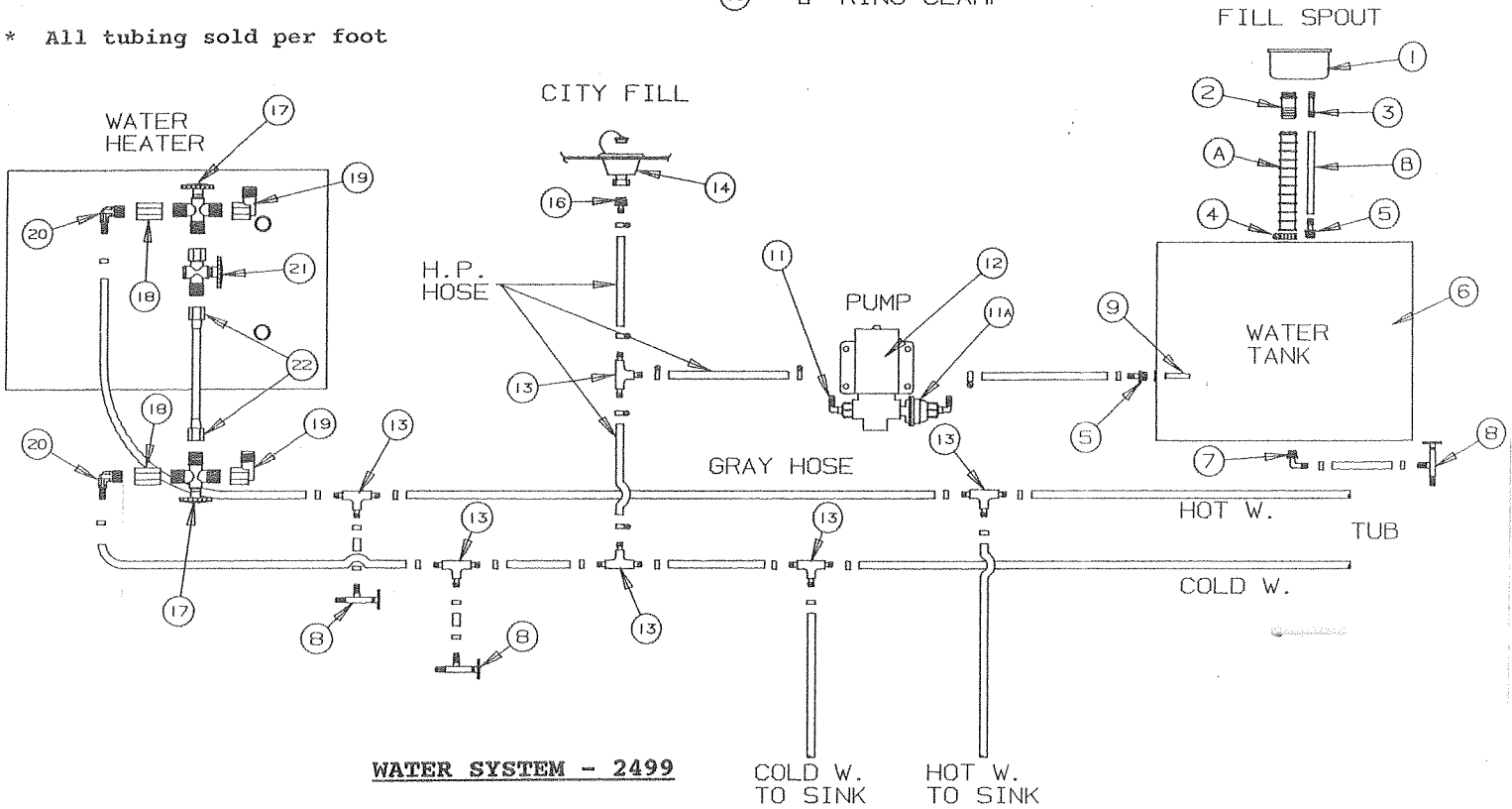
# WATER SYSTEM

# 1990 PLANTATION PARTS LIST



- A -- 4060025003 1 3/8" ID flexible non-toxic hose  
 B -- 4060000050 3/8" ID transparent hose  
 C -- 4714-038 3/8" ID high-pressure hose
- (15) → [Symbol] ADJUSTABLE HOSE CLAMP  
 (10) → [Symbol] RING CLAMP

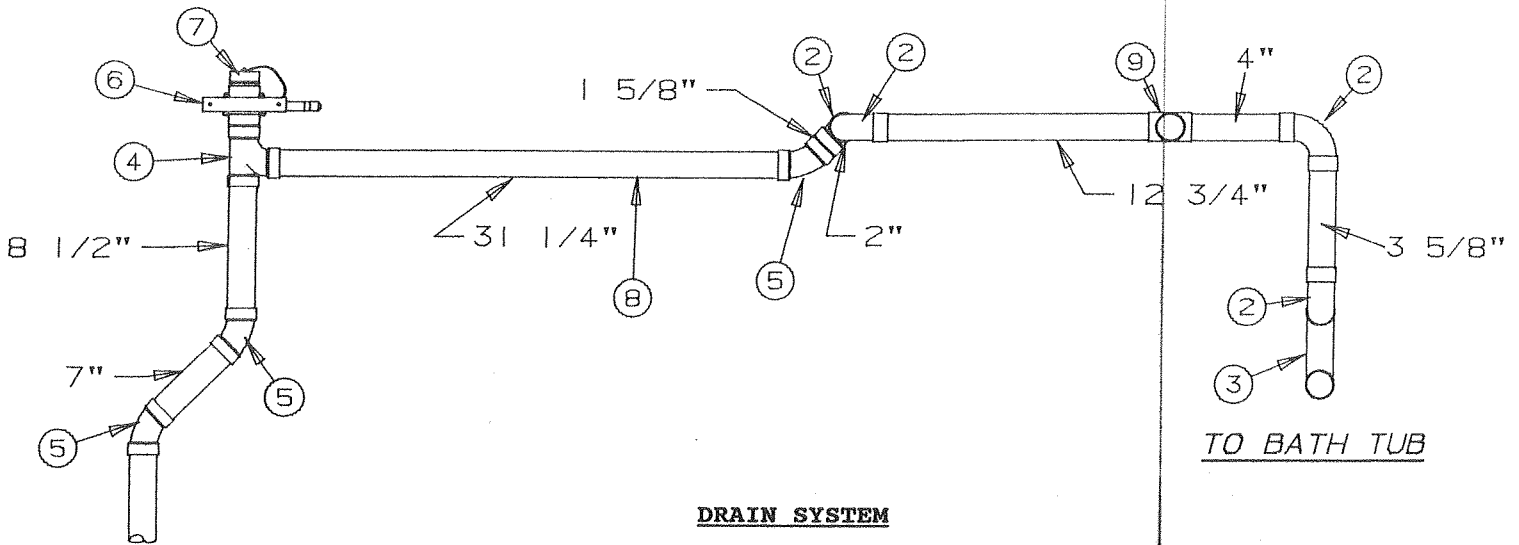
\* All tubing sold per foot



### WATER SYSTEM - 2499

CODE	PART NO.	DESCRIPTION
1	4731C1711	Fill spout
	4741-3508	Screw
2	4744-1288	Barbed nipple
3	4744-1298	Barbed connector
4	4715-4501	Hose clamp
5	4732A4561	Barbed nipple
6	4741A3451	Water tank
7	1218-3518	Adapter
8	4741A2368	Drain
9	4737-4641	Tank filter
10	4741-2758	Ring clamp
11	4744-1508	Swivel connector x2
	4744-2338	Nut x2
	4744-2348	Barb x2
11A	4747A8311	Filter x1
12	4741B5571	Pump
13	4741-2388	Barbed tee
14	4732D1521	City fill
15	4731-3058	Adjustable hose clamp
16	4732-4561	Plastic fitting
17	4746-3748	Tee valve
18	4746-3728	Female coupling
19	4746-3718	Female elbow
20	4741-2378	Elbow
21	4746B3708	Straight stop valve
22	4746-3738	Quicktite



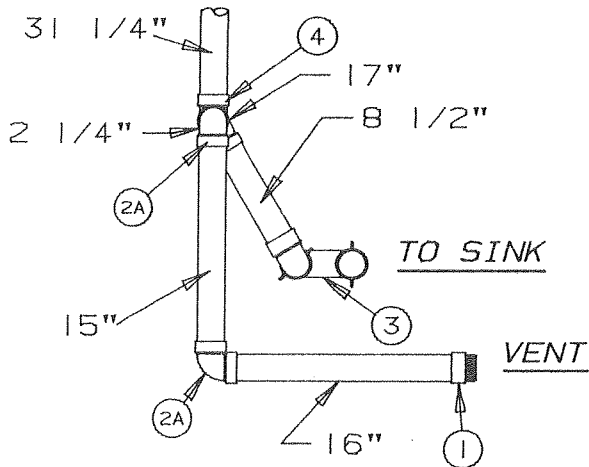


TO BATH TUB

**DRAIN SYSTEM**

**CODE PART NO. DESCRIPTION**

<b><u>CODE</u></b>	<b><u>PART NO.</u></b>	<b><u>DESCRIPTION</u></b>
1	4746-357	Male adapter, x1
2	4746A366	Sweeping elbow, x4
2A	4746-366	Short elbow
3	4741A9328	P Trap
4	4746A352	Drain tee x2
5	4746-353	Drain elbow, x3
6	4746-365	Termination valve
7	4716-3658	Termination valve cap
8	4060015001	1 1/2" Drain pipe
9	4746-927	Secondary vent



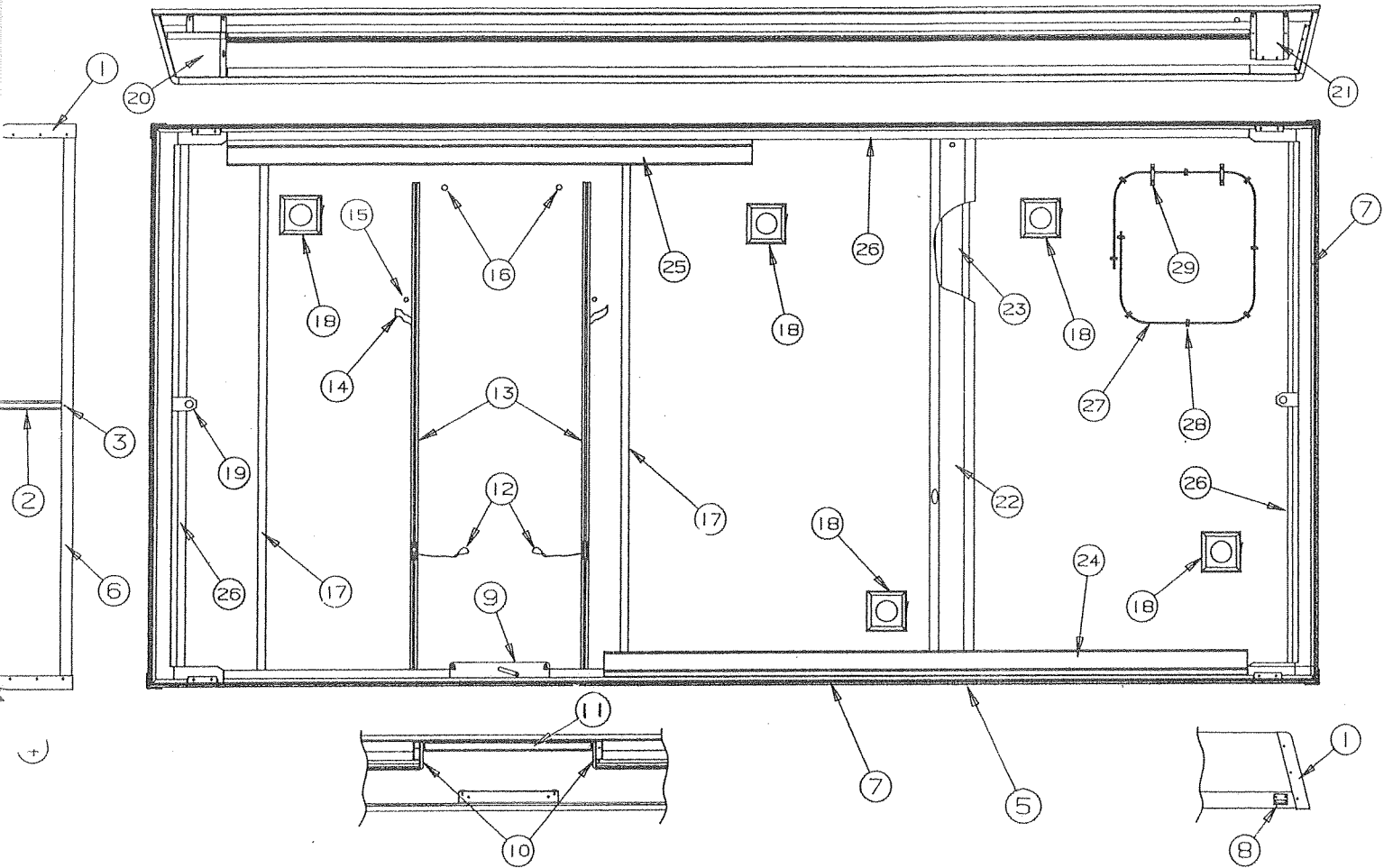
TO SINK

VENT

TOP ASSEMBLY

4745B5841 Plantation Top Assembly, 2499  
Colonial White

CODE	PART NO.	DESCRIPTION
1	4745A0321	Top corner LF/RR, colonial white
	4745A0331	Top corner RF/LR, colonial white
	4741B9368	Screw, snow white
	4350000058	Saturated foam tape
	4737B2838	Caulking, colonial white
2	4745A375	Center seam extrusion
	4350000076	Live rubber tape
	4350000058	Saturated foam tape
	4741-3508	Hex screw #8 x 1/2"
	4060000096	Center seam, vinyl screw cover
3	4741B9368	Screw, colonial white
4	4745A373	Canopy track
	4741B9368	Screw, colonial white
	4350000175	Live rubber tape
	4737B2838	Caulking, colonial white
5	4745A031	Top seal extrusion, x2 (side)
	1103E1018	Screw (inside of top)
	4741B9368	Screw, colonial white
6	4745A030	Top seal extrusion (front/rear)
7	4060000399	Rubber top seal (black)
8	4715B2091	Top strike x4, M4
	4350000029	Putty tape (grey)
	4744-2468	Screw
	1201B6958	Nut
	4739-4198	Screw cap
9	4749-5571	Screen door bracket
	4741B9368	Screw x3, colonial white
	4749-2138	Snap button
	1203-8641	Rivet x1, M50
10	4741-8841	Screen door retaining bracket x2
	4733-4138	Screw
	4350000005	Velcro hook, 3/4" grey
11	4350000022	Foam tape
12	4734C5211	Screen door cable assy x2, M6
13	4733E4711	Screen door track x2
	4744-4611	Rivet, M25
	1203-9258	Plastic accordion rivet
14	4723A5061	Screen door safety strap x2
15	4730A3548	Stud x2
16	4737-3211	Rubber button (white) x2, M8
	4746A030	Trim strip, 77" x2
17	4746A055	Trim strip, 4 3/4" x2
	4737E5911	Dome light complete x5
	4714D0891	Dome light lens
	1103B1028	Screw x4
	4734-2388	Wire connector
19	4741C1131	Tent support bracket x2
	4741B9368	Screw



CODE	PART NO.	DESCRIPTION
20	4745A3511	Lift cover CSR/RSR
	4745A3501	Lift cover RSF/CSR
	4716-077	Screw
	4741C3558	Hole plug x2
	4350000005	Velcro hook, 3/4" x 8 3/4"
	4350000022	Foam tape (behind lift cover)
21	4741B5431	Lift pocket x4
	1201B6378	Lock nut x8
22	4746A032	Air conditioner brace cover x1
	4749-029	Hole plug 3/4"
	4746-055	Bushing
	1200E1268	Screw x2 (to hold cover in place)
23	4745A623	Roof brace x1
	4746A0538	Bolt x2 (Colonial white, outside of top)
	1201B6038	Nut x2
	4746-049	Spacer plate x1
	4350000078	Double stick tape, 28"

CODE	PART NO.	DESCRIPTION
24	4746-243	Curtain track 94" (curbside)
	4741B9368	Screw x12
25	4746A018	Curtain track 65" (roadside)
	4741B9368	Screw x8
26	3530000095	Tent extrusion (sold per 8 foot pcs) (used front, rear and both sides of top)
	1103E1018	Screw
27	4746A1201	Shower curtain track
28	4739-1208	Track mounting bracket x9
	1103E1018	Screw x18
29	4724-7271	Shower curtain tie x2
	1202B2698	Washer x2
	4741B9658	Expansion rivet x2