



# 1990 AMERICANA "ALTA" PARTS LIST



## 1990 MODEL ALTA

<u>Model</u>	<u>B/M (Blind)</u>	<u>Size</u>
2460 Alta	4735F760	8'

### Note:

Body color	Colonial white
Top color	Colonial white
Wood grain	Classic Oak
Counter top	Brown Granite

### Tent Sections

Canvas	Tan
	White Vinyl - Outside
	White Vinyl - Inside
Evolution III	Grey
	Pewter Vinyl - Outside
	White Vinyl - Inside

### When ordering repair parts, please note:

To expedite your repair orders, please order by Coleman part number and the description shown in this parts catalog. If unable to find the part in this catalog, please state the model number and serial number (if known) of the trailer; describe the part; state where it is used; and, if necessary, state if on curbside, roadside, front or rear of trailer.

### Symbols used in this catalog:

"x2" - Items showing "x2", etc., indicate they are used times two on the assembly. They are sold one to a package.

"M4" - Items marked "M4", etc., indicate they are packed four to a package and are shipped only in packages of four. They are priced per unit. When ordering, please specify the total quantity you require - not the number of packages.

### HYDRO-FLAME FURNACE - 12,000 BTU

4741A6571 - HydroFlame Furnace  
Vendor # HF8012DF

### HYDRO-FLAME FURNACE - 20,000 BTU

4737A9661 - HydroFlame Furnace  
Vendor # FA7920DF

All warranty service and parts procurement for this item will be handled directly by:

Hydro-Flame Corporation  
1874 Pioneer Road  
Salt Lake City, Utah 84014  
Phone: 800/825-4328

Note: All seven digit numbers are not necessarily sales stock items and may take slightly longer to obtain from the factory.

Note: Cushion/Backrest and Mattress assemblies are not a stock item. May take slightly longer to receive.

### Minimum Order Requirements

Minimum order requirements for parts and/or accessories is \$25. Orders for less than \$25 will be assessed a \$5 handling charge.



# 1990 AMERICANA "ALTA" TABLE OF CONTENTS PARTS LIST

## TABLE OF CONTENTS

DESCRIPTION	PAGE NUMBER	DESCRIPTION	PAGE NUMBER
Access door light	13	Rivets	30
Access door assembly	13	Rocker switch (turn access door light off/on)	10
Access door floor covering	13	Safety chain	3
Auto extension	28	Screen door assembly	29
Axle beam	7	Screen door jamb assembly	29
Axle assemblies	7	Screen door cables	31, 32
Backrest assemblies and covers	28	Seat frame assemblies	27
Bed assembly (front)	16	Seat fronts (wood w/w-out door)	27
Bed assembly (rear) (expanda bed)	15	Shear pin	6
Bed extensions	19	Sink	21
Body panel left side (roadside)	14	Sink cabinet assembly	21
Body panel front assembly	9	Spare tire carrier (molded)	3, 28
Body panel right rear	11	Spring attachments	4
Body panel right front	12	Stabilizer assembly	3
Body panel rear assembly	10	Stabilizer handle	3, 13
Bumper pad assembly	10	Stove & component parts (upper galley)	23
Butterfly switch (upper crank assy)	5	Table assemblies & components	26
Canvas assemblies	17	Tent support assembly	18
Chain (for upper crank assembly)	5	Thrust nut	6
Chest of drawers	19	Tire & Rim	3
City water fill	14, 25	Tongue jack assembly	3
Converter panel assembly	20	Top assemblies & component parts	31, 32
Converter	20	Trim tape repair panel kits	28
Cooler	18	Upper galley assembly (stove cabinet)	23
Coupler assembly	3	Upper galley lift bar	24
Crank handle	3, 13	Water tank	25
Crank and sprocket assembly	5	Water system	25
Cushion assemblies and covers	28	Water pump (used on sink cabinet)	21, 22
Drapes	18	Wheel well assembly	3
Electric brakes	8	Whiffletree extensions	6
Evolution III assemblies	17	Whiffletree assembly	6
Fire extinguisher	19	Wire harness (trailer front)	3
Furnaces	1		
Gas system	26		
Gas bottle	26		
Gas bottle mounting package	26		
Grease seals (used in hub assembly)	7		
Guide channel	3		
Hub assemblies	7		
Hub caps	3		
Lift assembly pulleys	5		
Lift assembly cables	5		
Lift assembly, LF/RR	3, 5		
Lift assembly, RF/LR	3, 5		
Lift trim & miter covers	12		
Lower galley assembly (stove cabinet)	24		
Lower galley filler plate assembly	24		
Lower sink cabinet assembly	22		
Mattress assemblies	19		
Mattress assemblies (expanda bed)	15		
Paint (touch up spray)	28		
Paneling and trim	27, 28		
Parts packages	28		
Pigtail (car end)	3		
Privacy curtains	18		
Radial bearing (front cross channel)	6		
Receptacle box (15 AMP)	20		
Regulator (used on gas bottle)	26		

**MAIN FRAME ASSEMBLY**

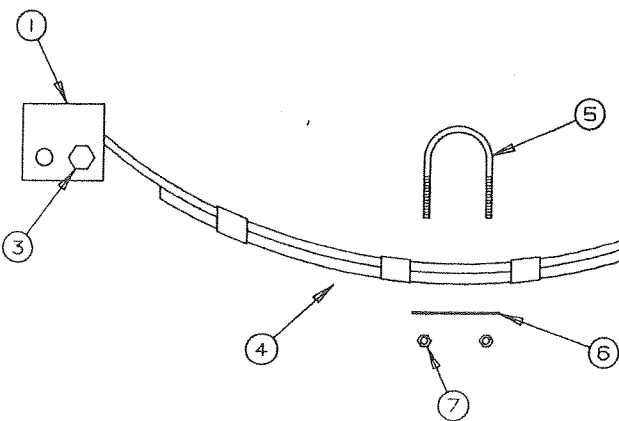
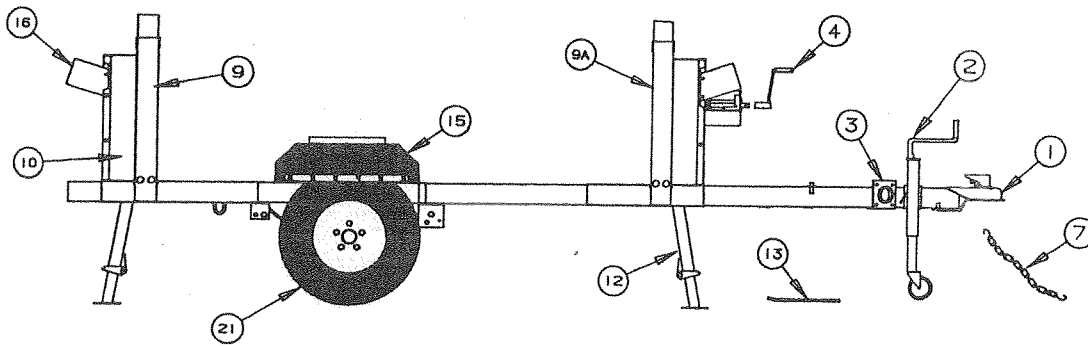
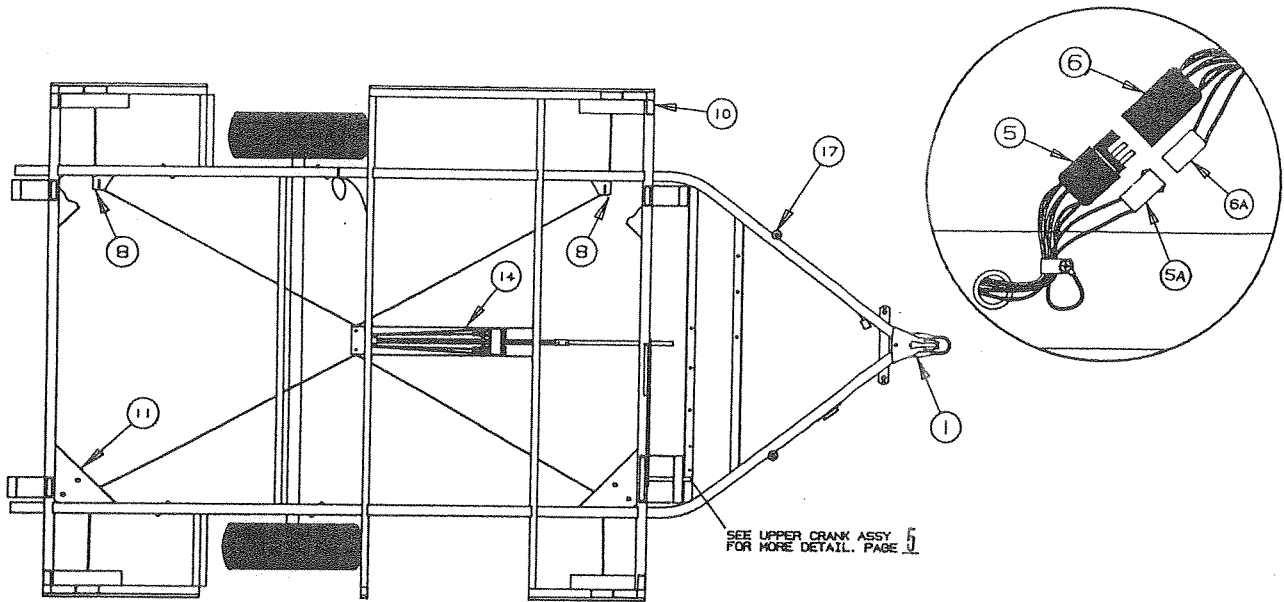
CODE	PART NO.	DESCRIPTION
1	4730A3561	Coupler assy
	4714-2211	Coupler repair kit (release)
	4771-2631	Hitch pin, M5
	4732A4791	Safety pin, M10
2	4720B6661	Tongue jack assy
	4716-6661	Tongue jack, wheel and nut
	4714-2818	Locking plunger kit
	4714-2821	Tongue jack handle kit, M2
	4720A3341	Snap ring
3	4720A3331	Jack bracket
4	4720E5211	Crank handle
5	4735C6751	Wire harness, 6 pin - CT End
	4714-1991	Wire harness repair kit, M4
5A	4735A6871	Power harness, 2 pin - CT End
6	4735C6741	Pigtail, M4 - Car End
6A	4735A6721	Extension harness - Car End
7	4720C3031	Safety chain M2
8	4732C3678	Adjustable pulley bracket
	4720C1578	Short pin
	4715A5371	Pulley and bearing assy, M10
	1204B1081	Cotter pin, M10
9	4739B6801	Lift assy LF/RR
9A	4733E5801	Lift assy RF/LR
Refer to page 5 for the component parts of the lift assy.		
10	4733C1541	Corner bulkhead
	1203C8751	Rivet, M25
11	4739-246	Corner gusset
12	4720D0731	Stabilizer assy (complete)
	4739-2298	Nut (stabilizer assy to gusset)
13	4749-1861	Stabilizer handle
14	4720D2371	Guide channel
	4731-3878	Hex-head bolt
	1201B6038	Nut
15	4741A3311	Wheel well
16	4741A4001	Latch bulkhead x3
	4749-159	Latch bracket, short
	1203C8751	Rivet, x4, M25
17	4747-894	Pin cover, plastic x2
18	4749-5221	Refrigerator wire harness
19	4749-5231	Refrigerator pigtail wire
20	4749-158	Latch bracket, long x1
21	4741A3988	Tire & rim 10" Goodyear
22	4749-3521	Hub cap 8" Colonial White
23	4749-1351	Spare tire carrier

**NOTE:** CODE #23 is an accessory item must purchase separately.

Items 18 - 20 not shown

Items 22 - 23 not shown

See Page 4 for drawing details

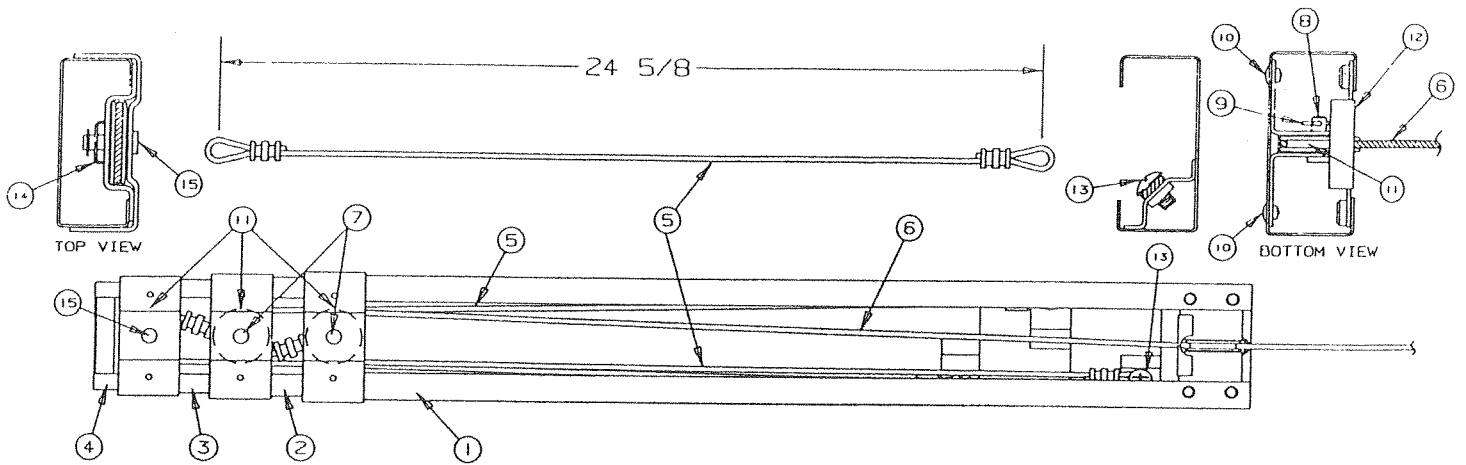


**SPRING ATTACHMENTS**

CODE	PART NO.	DESCRIPTION
1	4741A3398	Rear spring shackle
2	4741B3398	Front spring shackle
3	4737A1318	Shackle bolt
	4741-9498	Shackle bolt nut
4	4741B3381	2 Leaf spring, 750# 2460
5	4741A8438	"U" bolt
6	4741-8458	"U" bolt plate
7	4741-9358	"U" bolt nut

# LIFT ASSY'S CRANK & SPROCKET ASSY

# 1990 AMERICANA "ALTA" PARTS LIST



## LIFT ASSEMBLIES

- 4739B6801 - Lift assembly  
Left Front/Right Rear
- 4733E5801 - Lift assembly  
Right Front/Left Rear

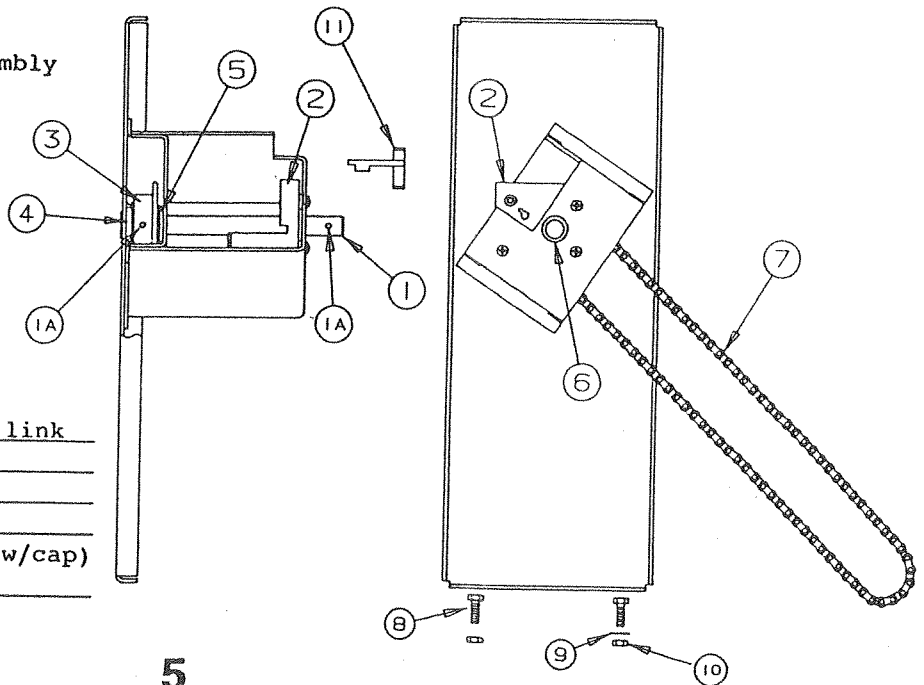
CODE	PART NO.	DESCRIPTION
1	4720H5151	Stationary lift assy
2	4720F5161	Bottom lift assy (4733E5801)
	4739B6751	Bottom lift assy (4739B6801)
3	4720E5171	Center lift assy (4733E5801)
	4739B6731	Center lift assy (4739B6801)
4	4720E5181	Top lift assy (4733E5801)
	4739B6741	Top lift assy (4739B6801)
5	4720C5271	Cable assy x2, M2 24 5/8" long
	4720C1691	Steel cable crimp, M20

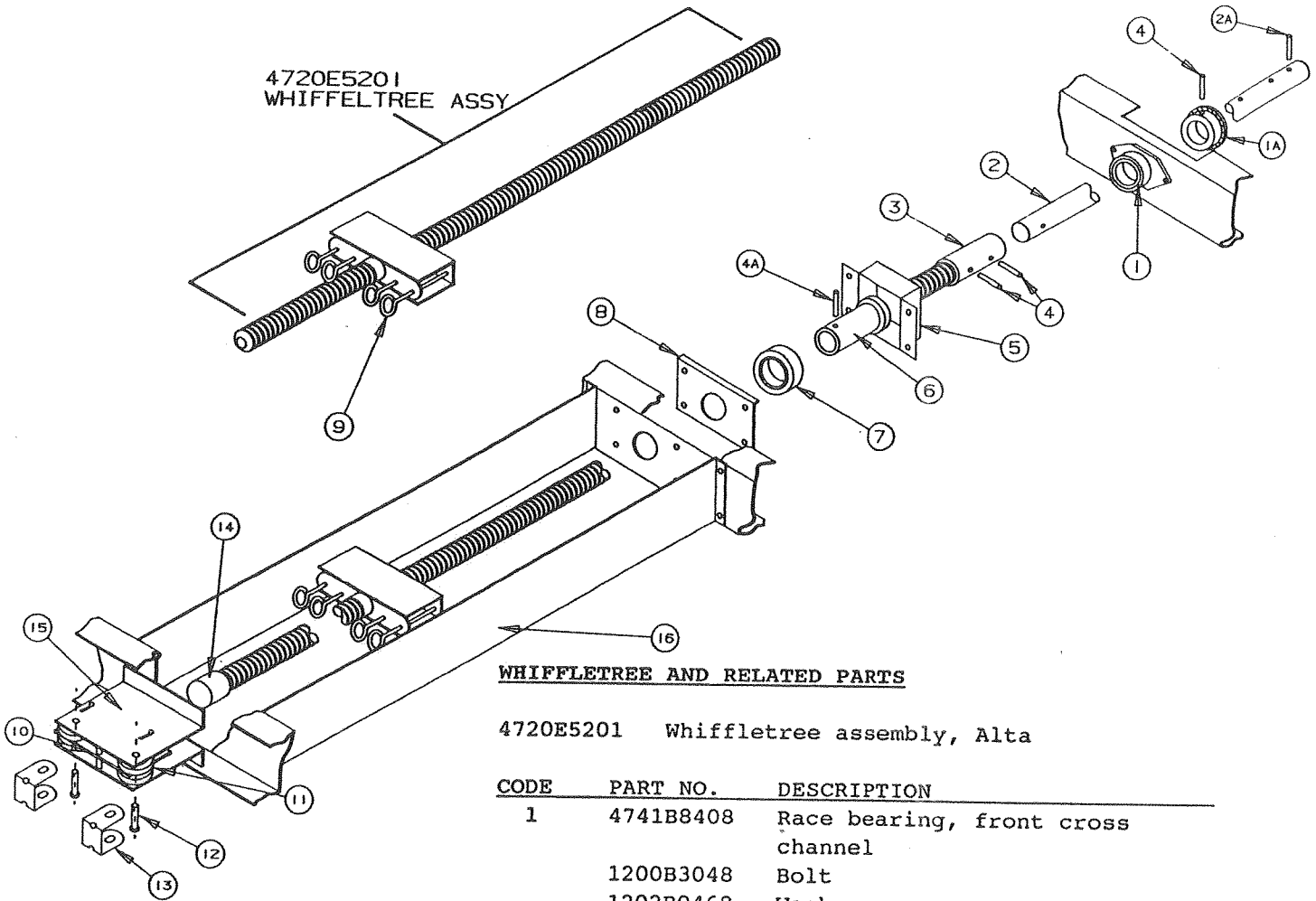
6	4733B5901	Stainless steel cable assy x1 (144" long, M2)
	4744-1318	Stainless steel cable crimp
7	4747-8931	Long pin, x2, M12 (only)
	4730B0981	Retaining ring (only), M12
8	4720C1578	Lift pin x1
9	1204B1081	Cotter pin, M10
10	1203-8641	Rivet x4, M50
11	4715A5371	Steel pulley & bearing x4, M10
12	4731C5801	Butterfly bracket assy
13	4749-2081	Bolt, 1/4 - 20 x 1/2", (x3), M6
14	4749-2028	Retaining clip x2
15	4749-4061	Pin short x1
	4730B0981	Retaining ring (only), M12

## CRANK AND SPROCKET ASSEMBLIES

- 4720H5801 Crank and sprocket assembly

CODE	PART NO.	DESCRIPTION
1	4730D340	Shaft
1A	4720B1481	Roll pin, M10
2	4746-0198	Ratchet bracket
3	4730B3858	Sprocket x2
4	4730B3828	Bronze bearing x1
5	1202-2828	Washer x4
6	4737-4688	Bushing x1
7	4745A0691	Chain
	4730A3811	Connecting link
	4714-0351	Offset connecting link
8	4731-3878	Hex-head bolt x2
9	1202B0438	Washer x1
10	1201B6038	Hex-nut x2
11	4737A4671	Butterfly Switch (w/cap)
	4737-4698	Cap x2





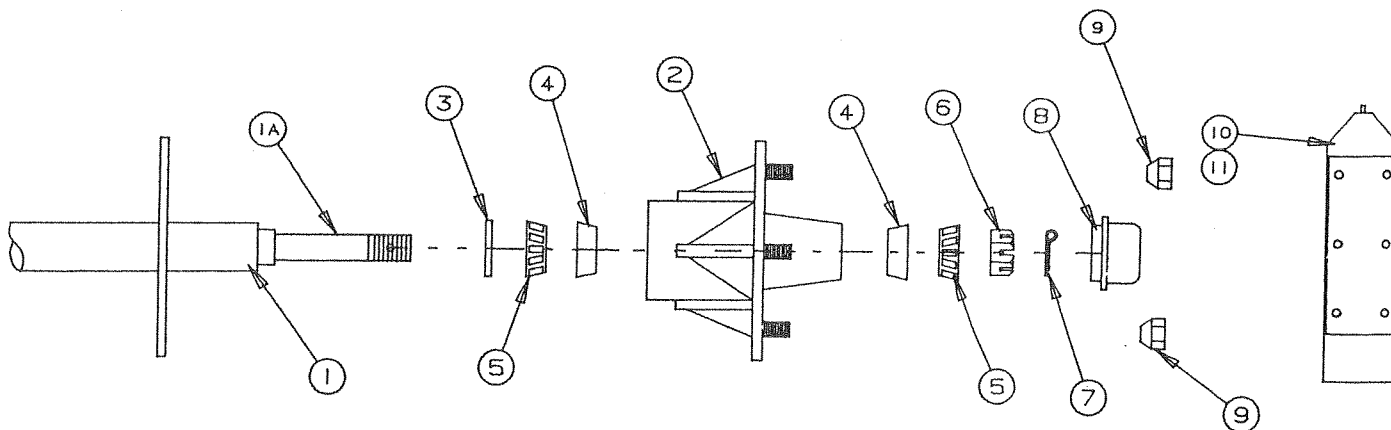
**WHIFFLETREE AND RELATED PARTS**

4720E5201 Whiffletree assembly, Alta

CODE	PART NO.	DESCRIPTION
1	4741B8408	Race bearing, front cross channel
	1200B3048	Bolt
	1202B0468	Washer
	1201B6068	Nut
1A	4737-1778	Sprocket
2	4749-3001	Whiffletree extension 8' model
2A	4747-9451	Roll pin x1
3	4720D1221	Coupling
4	4720B1481	Roll pin, M10
4A	4744A1301	Shear pin, M10
5	4720B2408	Retainer
	4731-3878	Hex-head bolt
	1201B6038	Hex nut
6	4720B2388	Thrust nut
7	4720A2421	Bearing
8	4720B2418	Plate
9	4744-4451	Screw eye, M4
	1201B6078	Locknut x8
10	4715C5661	Pulley spacer
11	4715A5371	Pulley and bearing, M10
12	4720H1561	Long pin, M5
13	4744A1748	Cable retainer
14	4730D129	Screw socket x1
15	4720-155	Pulley plate x2
16	4720D2371	Guide channel

# AXLE ASSY

# 1990 AMERICANA "ALTA" PARTS LIST



### AXLE ASSEMBLIES & COMPONENTS

CODE	PART NO.	DESCRIPTION
1	4741D6251	Axle beam (includes spindles)
1A	4741B849	Spindle (both ends)
2	4738C0451	Hub assy
3	4714A2201	Grease seal, M4
4	4714-2221	Inner/outer cup (race) L44610
5	4714-2231	Inner/outer cone (bearing) L44649
6	4714-3068	Spindle nut x2
7	1204-1268	Cotter pin x2
8	4714-0621	Grease cap x2, M4
9	4747-9528	Lug nut
10	4733A3521	Righthand electric brake assy, 7"
11	4733A3531	Lefthand electric brake assy, 7"

### Axle Assemblies Complete (special order only)

4741G576 Axle - 2460

**NOTE:** Original equipment axle beams are "Coleman" on all camping trailers except 2495 which is "Dexter." This can easily be verified by reading the metal band on the beam.

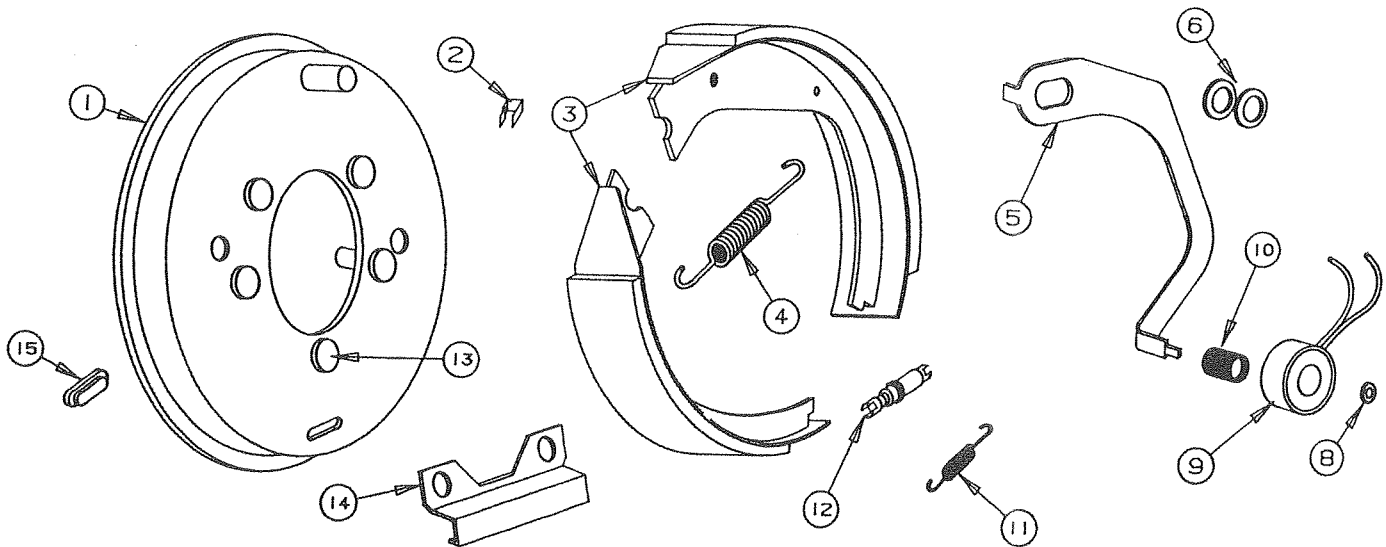
"Coleman" will use 4714A2201 grease seal.

"Dexter" will use 4714-2288 grease seal.

**NOTE:** Axle beams are 2000 pound capacity with brake mounting flanges, straight spindle, 1 1/16" diameter, 63" track width, 26" spring mount on 51" centers, underslung mounting.

4738C0451 Hub assembly with races and 5 lug nuts.

The 4741D6251 replacement beam assembly is a "Coleman" and will use 4714A2201 grease seal.



**ELECTRIC BRAKE PACKAGE (COMPLETE)**

4714H2011 for 1 1/16" diameter straight spindle

Item	Coleman Part NO.	Dexter Part No.	Qty/ Brake	Description
1	Note	36-36-4	1	Backing plate assy
2	Note	46-23	2	Shoe hold-down spring
3	4714B2071	40-125	1	Primary shoe and lining assy and
		40-49	1	Secondary shoe and lining assy
4	4714A2411	46-24	1	Retractor spring
5	4714-2841	47-30-4	1	RH actuating lever arm and
		47-29-4	1	LH actuating lever arm
6	4714A2461	46-30	2	Anchor post clip, M2
7	*Note	27-5	1	Wire clip
8	4714A2471	46-39	1	Magnet retainer clip
9	4714C2451	42-44	1	Magnet assy kit; includes 1 magnet, 1 spring and 1 retainer clip
10	4714A2421	46-25	1	Magnet housing spring
11	4714A2101	46-22	1	Adjustable screw spring
12	4714A2041	43-11	1	Adjusting screw
13	Note	7-41	4	Backing plate bolt
14	Note	64-1	1	Stabilizer bracket
15	Note	46-7	1	Plug

4733A3521                      23-48                      RH complete brake assy only  
4733A3531                      23-47                      LH complete brake assy only

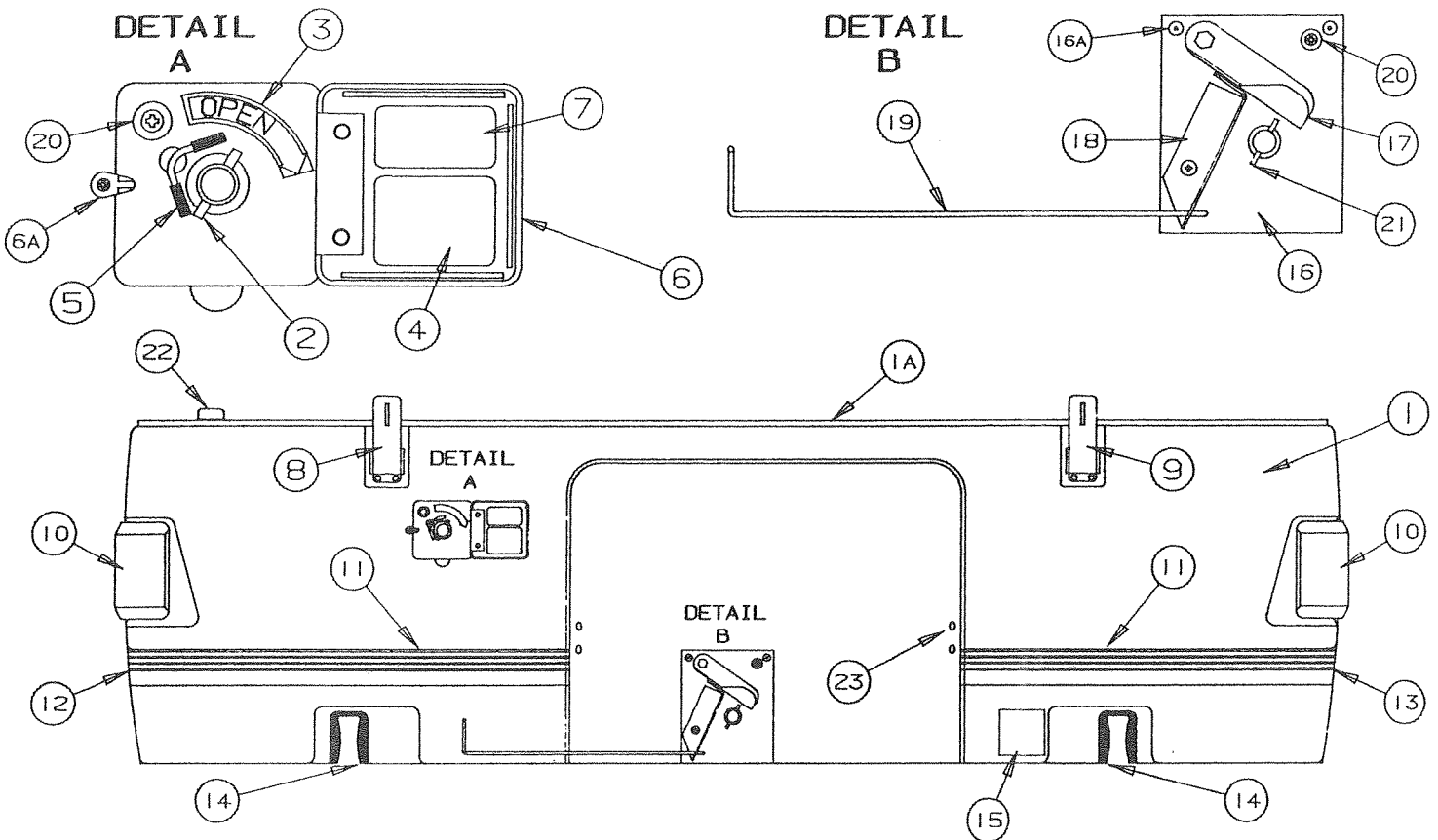
**NOTE:** Must be ordered through Dexter.  
When ordering with Dexter please  
supply their vendor number.

Phillips Industries/Dexter Axle Division  
1-219-295-1900 Customer Service Department



# FRONT BODY PANEL ASSY

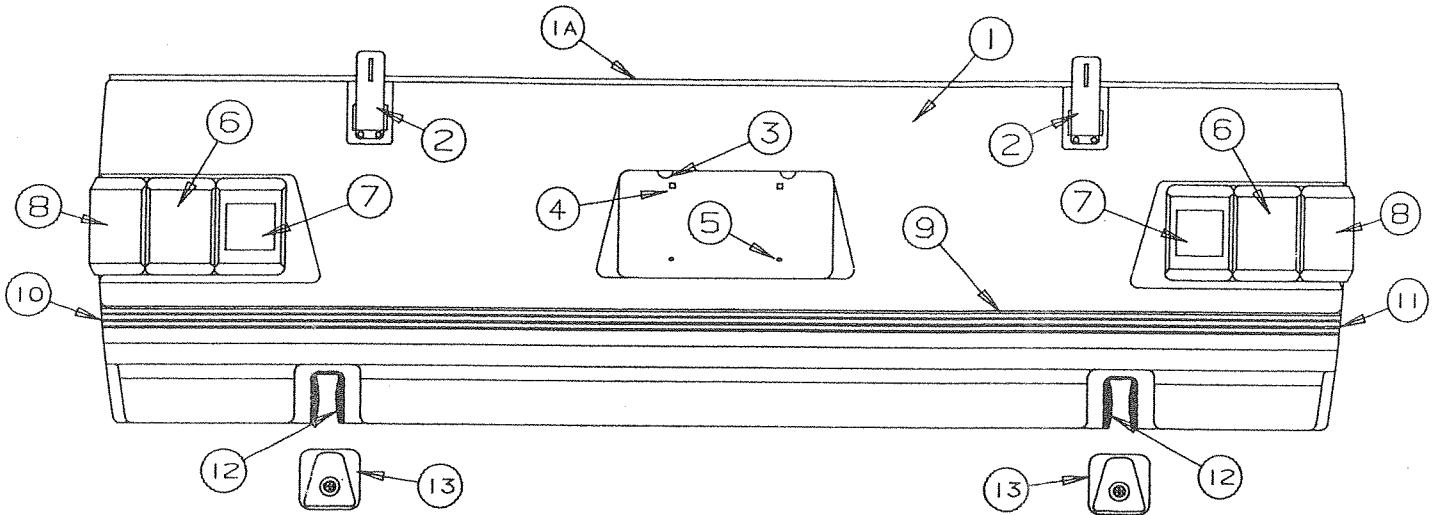
# 1990 AMERICANA "ALTA" PARTS LIST



### FRONT BODY PANEL ASSY COMPONENTS

CODE	PART NO.	DESCRIPTION
1	4733R1001	Body panel
1A	4720J180	Body rail
2	4720B1481	Roll pin x1, M4
3	4730H3188	Open decal
4	4739C1178	Switching decal
5	4737A4671	Butterfly switch (w/cap)
	4737-4698	Cap (for butterfly switch)
6	4747A2351	Shaft cover pkg (complete w/hinge)
	4747-2558	Expansion rivet (rivet hinge to panel)
6A	4747-9411	Shaft cover strike
	4716-063	Screw
7	4737E3638	Caution decal
8	4715E5051	Top latch w/lock x1
	4741-9108	Screw
9	4741B6041	Top latch w/o lock
	4741-9108	Screw
10	4714F0841	Side marker light x2
	4716-1001	Lens, amber
	4716-064	Screw (screw lens to base)
	4747-2558	Expansion rivet x8
11	4716B512	Trim tape (5 ft required) 2460

CODE	PART NO.	DESCRIPTION
12	4749-2338	Corner die cut trim tape (left frt) 2460
13	4749-2348	Corner die cut trim tape (rt frt) 2460
14	4737B4458	Gasket
15	4730J2138	Gas supply ID plate
16	4747A934	Latch angle
16A	4747-2558	Expansion rivet
17	4747-929	Safety latch
	4720B3448	Shoulder bolt
18	4747-930	Safety latch bracket
19	4747A209	Safety latch rod
<b>NOTE: Code 18 &amp; 19 comes with molded gas bottle cover</b>		
20	4724-2608	Stop button
	4716-077	Screw
21	4747-9451	Roll pin x1
22	4734C1538	Bed stop bracket x1
23	4747-918	Hole plug, x10(white)
4716B2151 Front/Rear Body Panel Trim Tape Kit		



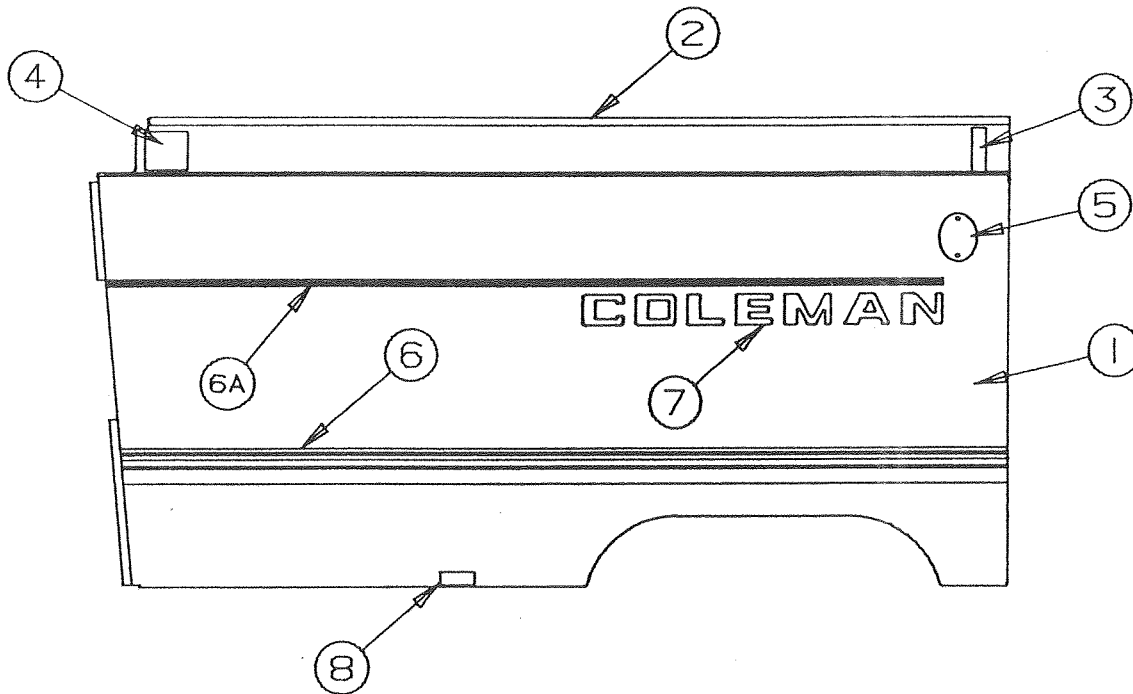
**REAR BODY PANEL ASSY COMPONENTS**

CODE	PART NO.	DESCRIPTION
1	4733R1011	Rear body panel
1A	4720J179	Body rail
2	4741B6041	Top latch w/o lock x2
	4741-8218	Screw
3	4739B4311	License plate light x2
4	4732-1181	Plastic grommet, x2, M4
5	4737A0728	Rubber bumper x2
6	4734D3921	Taillight x2
	4716-1021	Taillight lens (only)
	4716-064	Screw x4 (screw lens to base)
	4747-2558	Expansion rivet x4
7	4734D3911	Backup light x2
	4716-1031	Backup light lens (only)
8	4714F0851	Corner light x2
	4716-1011	Corner light lens red (only)
	4716-064	Screw x4 (screw lens to base)
	4747-2558	Expansion rivet
9	4716B512	Trim tape (6 ft required) 2460
10	4749-2338	Corner die cut trim tape, 2460 (left rear)
11	4749-2348	Corner die cut trim tape, 2460 (right rear)
12	4737B4458	Gasket x2
13	4744A5571	Bumper pad assy

4716B2151 Front/Rear Body  
Panel Trim Tape Kit

**2460 RIGHT REAR  
BODY PANEL ASSY**

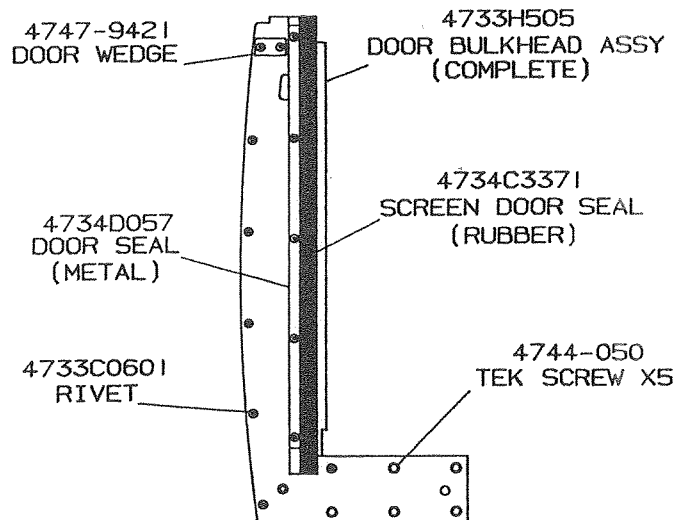
**1990  
AMERICANA "ALTA"  
PARTS LIST**



**CURBSIDE RIGHT REAR BODY PANEL ASSY COMPONENTS - 2460**

CODE	PART NO.	DESCRIPTION
1	4749-3121	Curbside right rear body panel, 2460
2	4749-315	Curbside body rail, 2460
3	4724G2631	Velcro hook, 3/4" wide
4	4723B8071	Velcro hook, 2-1/2" x 2-1/2" square
5	4733-2818	RVIA registration tag
	1203-8678	Rivet, x2
6	4716B512	Trim tape, (6 ft. required) 2460
6A	4716-250	Pin stripe, (6 ft. required) 2460
7	4745B1908	Coleman logo, 2460
8	4744B2668	Drain decal

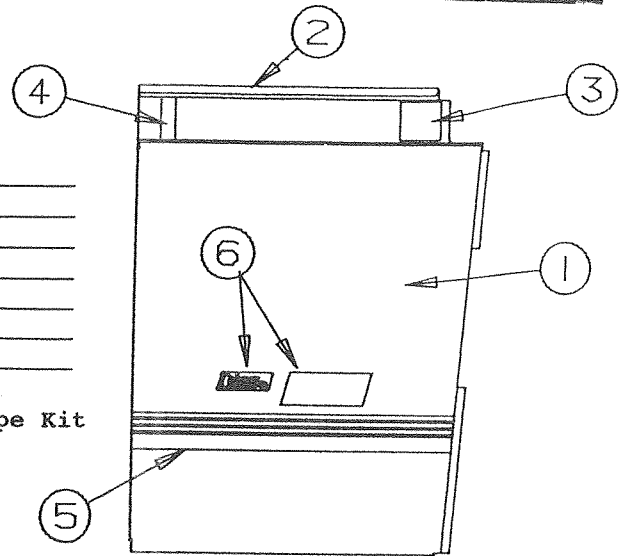
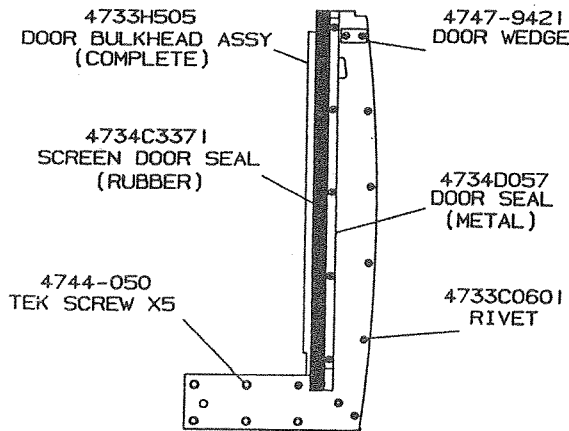
**4716B2131 Right Rear (Curbside) Body Panel Trim Tape Kit  
(fits all curbside Americana panels)**



**CURBSIDE RIGHT FRONT BODY PANEL ASSY COMPONENTS**

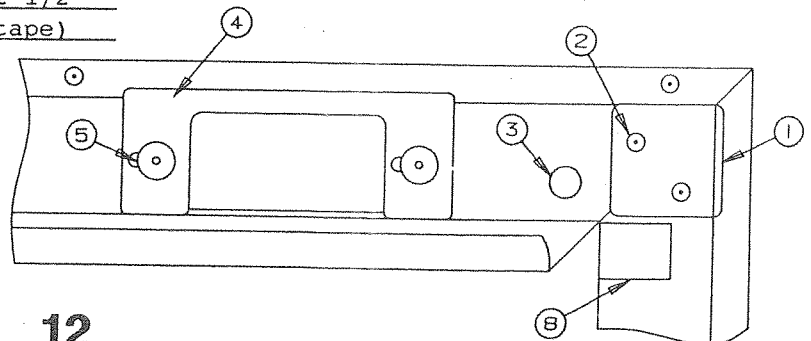
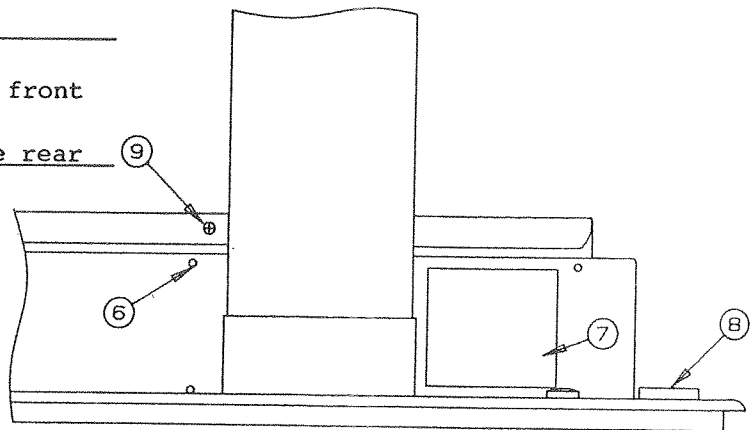
CODE	PART NO.	DESCRIPTION
1	4749-3131	Curbside rt frt body panel, 2460
2	4749-316	Body rail, 2460
3	4723B8071	Velcro hook 2-1/2" x 2-1/2"
4	4724G2631	Velcro hook 3/4" wide
5	4716B512	Trim tape (3 ft required) 2460
6	4749-3188	Name decal, 2460

**4716B2131 Right Side (Curbside) Body Panel Trim Tape Kit**

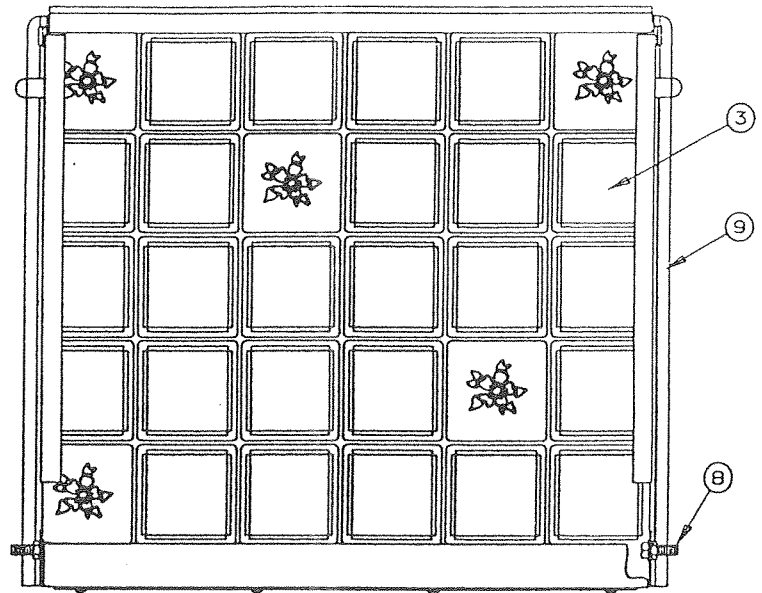
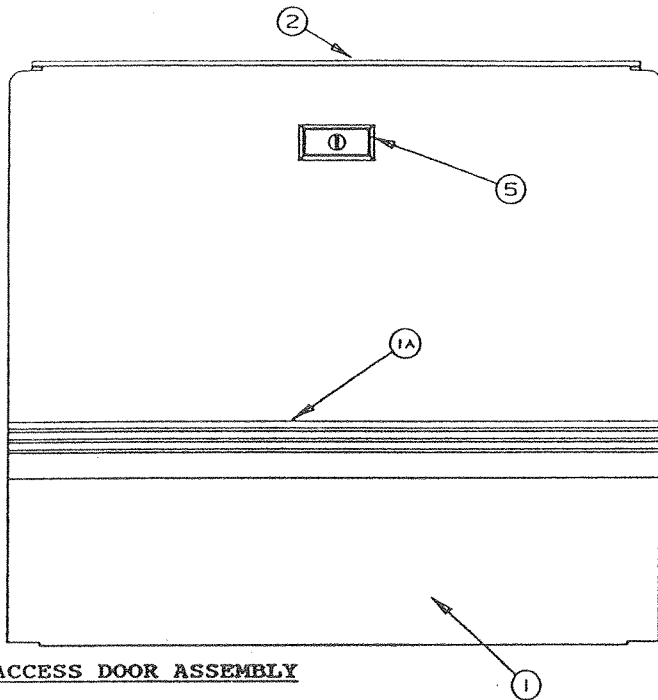


**MITER COVERS & LIFT TRIM - 2460**

CODE	PART NO.	DESCRIPTION
1	4737B9111	Miter cover, M4 curbside rear/roadside front
	4737C9101	Miter cover, M4 curbside front/roadside rear
2	4733C0601	Rivet, M25
3	4739A2908	Screw snap cap x1
	4739-2918	Washer x1
	4741-9108	Screw x1
4	4734D4111	Lift trim x1
	4733-3398	Plastic washer x2
5	4744A3301	Rivet x2, M25
	4747-865	Foam gasket x1
6	4710-3621	Roll pin x4, M5
7	4723B8071	Velcro hook, 2-1/2" x 2-1/2"
8	4747-2171	Bug hole patch (furry tape)
9	1103E0608	Screw (to hold tent section in place)



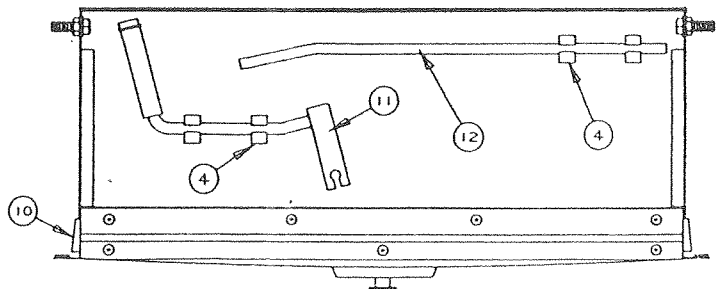
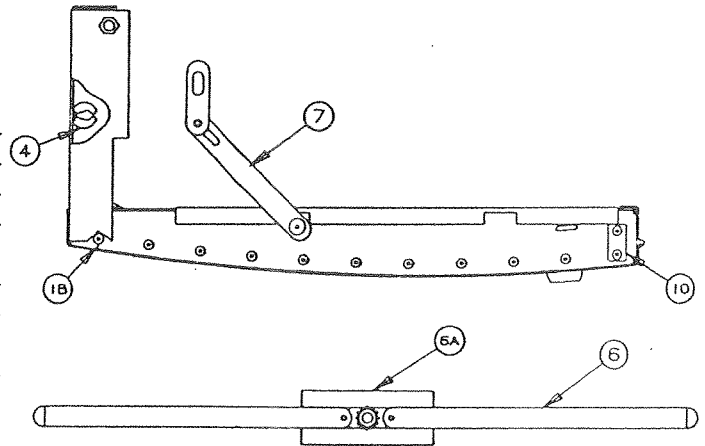
# 1990 ACCESS DOOR ASSY AMERICANA "ALTA" PARTS LIST



**ACCESS DOOR ASSEMBLY**

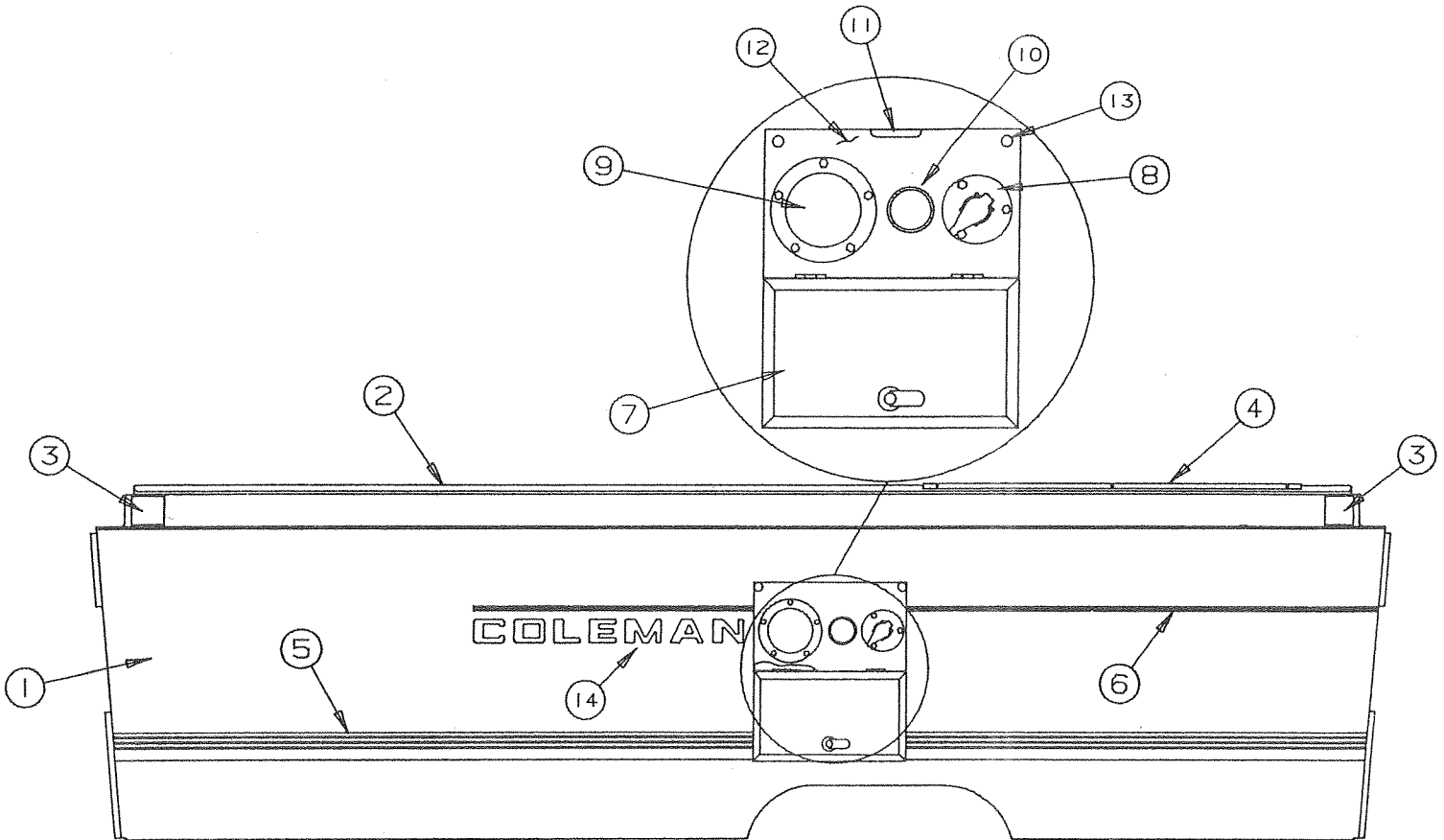
4733Y5161 2460

CODE	PART NO.	DESCRIPTION
1	4741E0321	Access door skin
1A	4716B512	Trim tape, 3 feet 2460
1B	4733A0601	Rivet, x22, M25
2	4731J2331	Access door cap
	4733C0601	Rivet, x4, M25
3	4731M2291	Access door floor covering
4	4734-2431	Snap clip, M4
	4733-4118	Tek screw
5	4730B3111	Lock handle
	4716-056	Screw x2
	1201B6958	Keps nut x2
	4730A3211	Access door keys, M10
6	4741-6551	Lock bar assembly
6A	4741-1438	Reinforcement plate
	1202B8528	Lock washer x1
7	4744-6981	Swing arm assembly x2
	1203C8721	Rivet, x2, M25
	1202B0468	Washer x2
Note: Rivet and washer included in swing arm package		
8	1006B2428	Bolt 3/8-16 x 1-1/4, x2
	1202B0468	Washer x2
	1201B5188	Nut, 3/8-16, x2
9	4060025006	1/8 x 1/2 adhesive-backed foam tape inside door flanges
10	4747-9421	Access door wedge x2, M2
	4747-922	Rivet, x4 (to hold wedges on)
NOTE: Rivet included in wedge package		
11	4720E5211	Crank handle
12	4749-1861	Stabilizer handle, M4



**ACCESS DOOR LIGHT**

- 4737A5901 Light assembly (complete)
- 4714A0951 Light lens
- 4733B4981 Rocker switch

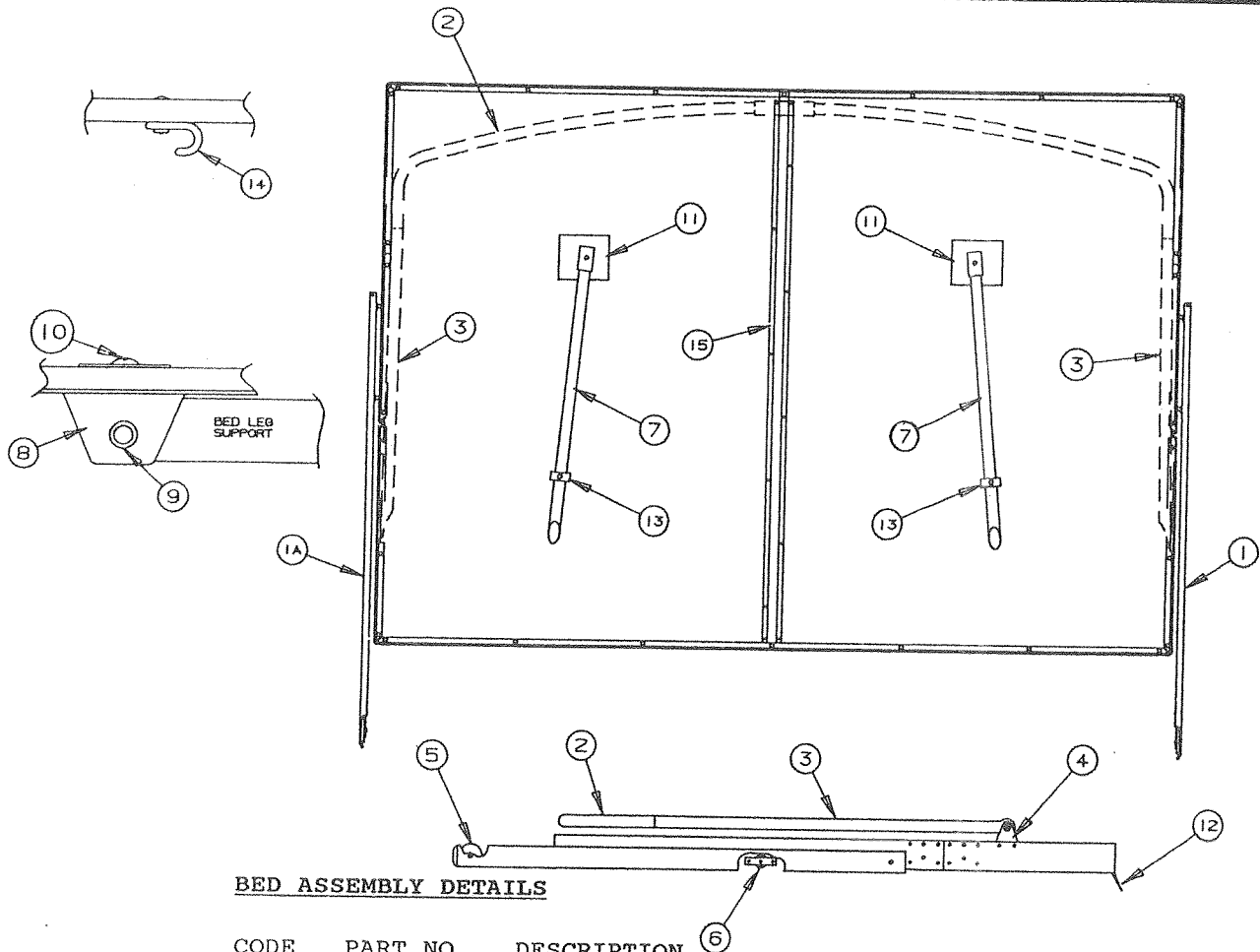


**ROADSIDE LEFT BODY PANEL ASSY COMPONENTS**

CODE	PART NO.	DESCRIPTION
1	4749-3141	Roadside left body panel, 2460
2	4749-317	Roadside left rail, 2460
	4733C0601	Rivet, M25
3	4723B8071	Velcro hook 2-1/2 x 2-1/2 square
4	4737C2231	Curtain track, 2460
5	4716B512	Trim tape ( 8 ft. required) - 2460
6	4716-250	Pin stripe, 2460 (6 ft)
7	4747A0721	Utility hatch door (only)
	4742A126	Hinge x2
	4744-4488	Rivet x4
	4744-2571	Lock
8	4732E1521	City fill
	4741-9568	Female adaptor
	4741-3508	Screw x3

CODE	PART NO.	DESCRIPTION
9	4731C1711	Water tank spout
	4741-3508	Screw x5
	4735C0988	Water decal
10	4733-2748	Bushing
	4745-994	30 AMP decal
11	4747-192	Latch angle
	4744-4488	Rivet
12	4747B191	Utility rate plate, 2460
13	4737-3211	Button x2, M8 (rubber)
	4724-2608	Stop button x2
	4733-4138	Tek screw x2
14	4745B1908	Coleman logo, 2460

4716B2141 Left Side (Roadside)  
Body Panel Trim Tape Kit

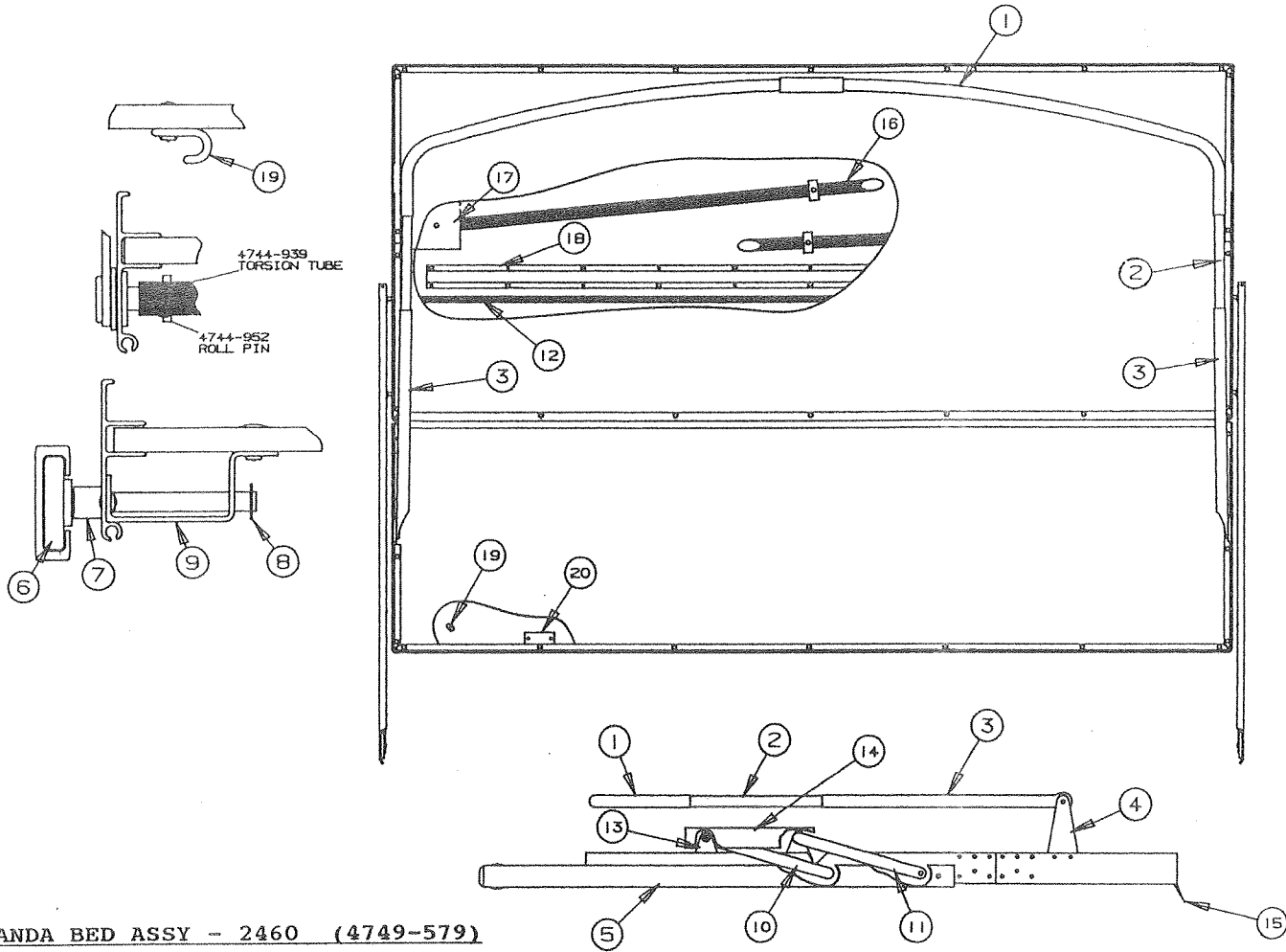


**BED ASSEMBLY DETAILS**

CODE	PART NO.	DESCRIPTION
1	4749-5951	Bed extension (curbside)
1A	4714-6191	Bed extension (roadside)
2	4737E2631	Upper tent bow assy
3	4737E2641	Lower tent support x2
	4733-4118	Tex screw x2
4	4720F5631	Bed bow bracket x2
	4716-078	Screw x2
5	4720B0831	Large plastic wheel x1
	4731A1288	Flathead rivet (wheel to extension)
6	4720B5621	Roller assy x2
	4731A1308	Rivet (wheel to roller support)
7	4720F5821	Bed leg support x2
8	4734A5141	Bed leg support bracket
9	4720A2361	Rod & pal nut assy
10	1040B1614	Screw x1
	1202B2528	Washer x1
	4739-2918	Screw cap washer x1 (not shown)
	4739A2908	Screw cap x1 (not shown)
11	4737A4178	Support plate (6 x 6)
12	4060000339	Bed seal (Sold per foot)
13	4720C0771	Bed leg support clip, M4
	1203-8831	Rivet, M25
14	4720D4021	Lashing hook, M6
	1203-8741	Rivet, M25
15	4720A124	Bed channel x1
	1203C8721	Rivet x11, M25

# EXPANDA BED ASSY

# 1990 AMERICANA "ALTA" PARTS LIST



### EXPANDA BED ASSY - 2460 (4749-579)

CODE	PART NO.	DESCRIPTION
1	4737E2631	Tent bow support upper
2	4747-6071	Inner support assy x2
3	4744A9411	Tent support lower x2
	4733-4118	Screw x2
4	4747-6061	Bow bracket assy x2
	1014B1006	Screw x2
5	4744-9461	Bed extension assy x2
6	4731-4711	Roller support x4
7	4744-9408	Spacer x4
8	4744-948	Retaining ring x4
9	4744-942	Bed roller bracket x4
10	4744-9531	Link arm outer assy x2
11	4744-9541	Link arm inner assy x2
12	4744-939	Torsion tube x1
	4744-952	Roll pin x2
13	4744-986	Bed bracket x4
	1014B1006	Screw x4
14	4747A6941	Link arm cover x2
15	4060000339	Bed seal 72 1/6" x 2"
	4060000439	Bed seal (black) 72 1/6" x 2"
16	4734D5881	Bed support leg assy x2

CODE	PART NO.	DESCRIPTION
17	4737A4178	Support plate x2
	4716-074	Bolt x2
	4739A2908	Cap x2
	4739-2918	Cap washer x2
18	4749-205	Bed channel x1
	1203C8721	Rivet, M25 x 11
19	4720D4021	Lashing hook x6, M6
	1203-8741	Rivet, M25
20	4744-951	Bracket x2
	1203C8721	Rivet, M25 x 4

### REAR EXPANDA-BED MATTRESS ASSEMBLIES - 2460 ALTA

FRONT MATTRESS	REAR MATTRESS	FRONT COVER	REAR COVER	ARM COVER
----------------	---------------	-------------	------------	-----------

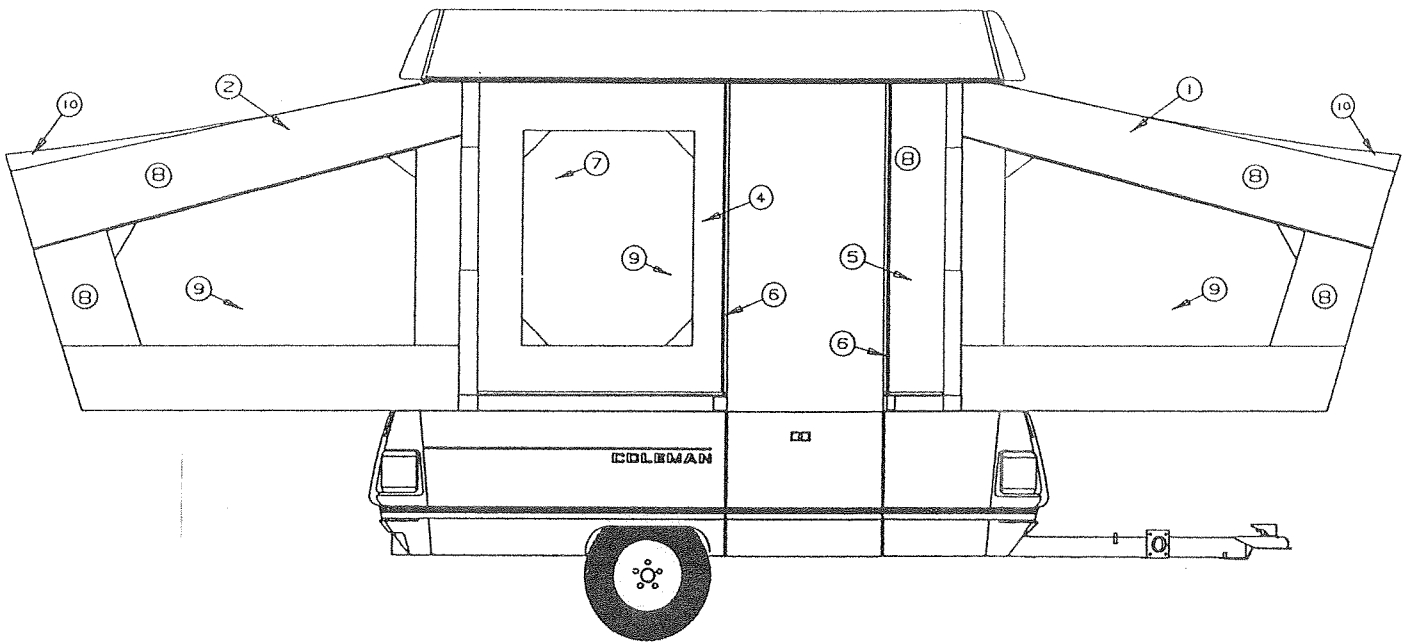
4749-5811 4749-6011 4716-5811 4716-6011 4747A6941

71 x 22 x 3 Front Mattress Dimensions  
 71 x 28 x 3 Rear Mattress Dimensions



**EVOLUTION ASSY'S  
CANVAS ASSY'S**

**1990  
AMERICANA "ALTA"  
PARTS LIST**



**EVOLUTION III ASSEMBLIES**

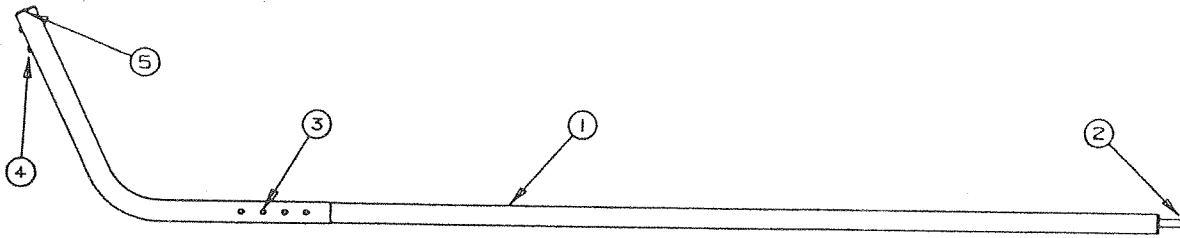
CODE	PART NO.	DESCRIPTION
1	4724F7461	Front boot, 2460
2	4724F7461	Rear boot, 2460
3	4724-8141	Large window, 2460
4	4728A6841	Small window, 2460
5	4724-8131	Door seal, 2460
6	4060100056	Door seal extrusion 46" (rubber)
7	3758400001	Screen
8	8115400017	"Evolution III" - 7 oz.
9	4064101201	Clear vinyl 41" - 12 mil.
10	8118001427	Top Vinyl, pewter exterior - 80" white interior
11	4060000024	Top seal rubber arrowhead (sewn on tent sections)
12	4060000055	Tubing 5/16" (slide evolution into body rail)
13	8160000320	Bias binding (gray) (9yds/boot)
14	6650500128	Talon chain zipper, white (used around windows)
15	4716-0851	Evolution III patch pkg 12"x14"
16	1225G3478	Zipper pull half x2
17	1225G3468	Zipper slider half x1

Items 3, 11 - 17 not shown in drawing

Evolution III - Grey  
Pewter Vinyl - Outside  
White Vinyl - Inside

**CANVAS ASSEMBLIES**

CODE	PART NO.	DESCRIPTION
1	4727V6821	Front boot, 2460
2	4727V6821	Rear boot, 2460
3	4716-8141	Large window, 2460
4	4716A6841	Small window, 2460
5	4716-8131	Door seal, 2460
<b>Canvas - Tan</b>		
<b>White Vinyl - Outside</b>		
<b>White Vinyl - Inside</b>		
<b>Note:</b>		
1225U3518	-	Zipper pin half
1225U3508	-	Zipper slider half
1225-4191	-	Zipper pull, M5
6650500027	-	No. 5 Ziplon chain zipper, suntan (used around windows)
4727-4471	-	Canvas patch pkg, 12" x 14"
4714D1611	-	54" x 3 yds screen pkg
4714-0361	-	54" x 13 yds screen pkg
4714-2171	-	Dry clean pad M5
4714B6021	-	14' Shock cord pkg M2
4744-4578	-	Zipper pull tag
4724-2011	-	Shock cord clamp, M10
8114210114	-	42" 10/10 Army duck canvas
8118001420	-	80" Vinyl coated polyester
4064101201	-	41" 12 mil. clear vinyl
8160000311	-	Bias binding



**TENT SUPPORT ASSEMBLIES**

CODE	PART NO.	DESCRIPTION
1	4741C5591	Tent support, <u>regular bed</u> 2460, ( <u>front and rear</u> )
2	8470-1728	Pole pin, blue
3	4734-6708	Spring assembly
4	4734A6708	Spring assembly
5	4730B4648	Tube closure
6	4733-4118	Tek screw

**NOTE:** Inner and outer pole not sold separately.

**DRAPES**

	Drape Package	Color
2460 Alta	4724E7951	Plum

**NOTE:** Valance not included in Drape Package

**SINGLE DRAPE PANEL W/SAFETY STRAP**

4716-0461 Drape panel w/safety strap, 2460

**VALANCE PACKAGE ONLY**

4716-4541 Valance, 2460

4724A1981 Curtain tab M100

**PRIVACY CURTAIN PACKAGE AND COMPONENTS**

4723B7831 Privacy curtain 2460 plum

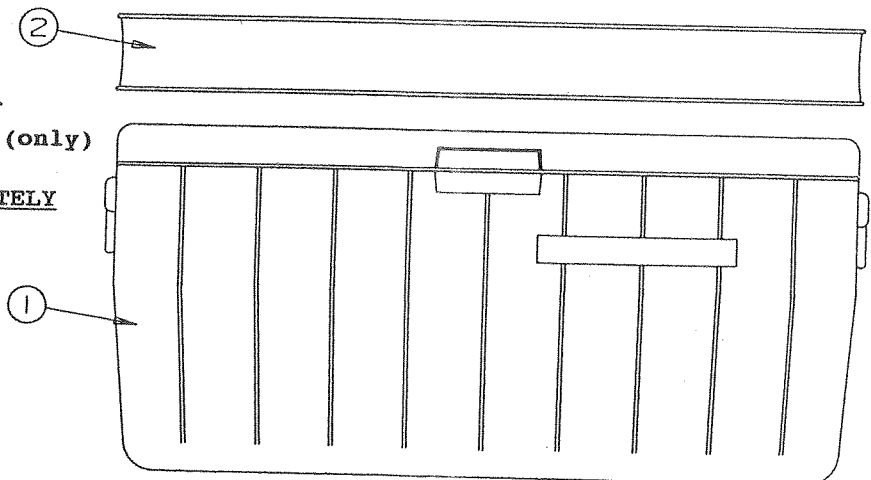
Curtain Tie (package of 1)

4714B3461 Curtain tie 2460

**COOLER**

- ① 5294B806 Cooler Assembly, Models 2460  
68 Quart, Cushion Cooler
- ② 4749-5921 Cooler Cushion Assembly (only)

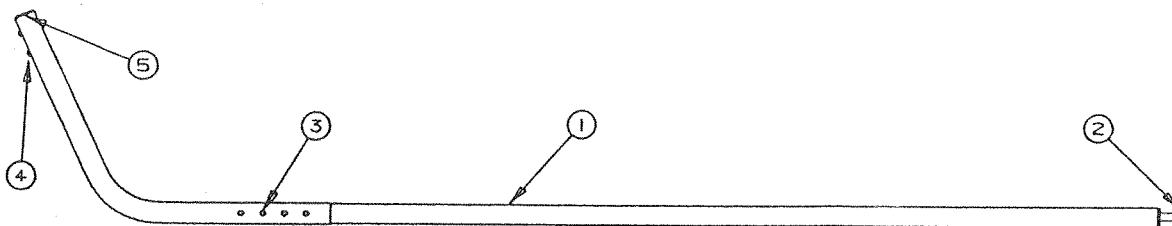
**COOLER CUSHION ASSEMBLY SOLD SEPARATELY**





# 1990 AMERICANA "ALTA" PARTS LIST

## TENT SUPPORT ASSY CURTAIN ASSY'S



### TENT SUPPORT ASSEMBLIES

CODE	PART NO.	DESCRIPTION
1	4741C5591	Tent support, <u>regular bed</u> 2460, (front and rear)
2	8470-1728	Pole pin, blue
3	4734-6708	Spring assembly
4	4734A6708	Spring assembly
5	4730B4648	Tube closure
6	4733-4118	Tek screw

NOTE: Inner and outer pole not sold separately.

### DRAPES

	Drape Package	Color
2460 Alta	4724E7951	Plum

NOTE: Valance not included in Drape Package

#### SINGLE DRAPE PANEL W/SAFETY STRAP

4716-0461 Drape panel w/safety strap, 2460

#### VALANCE PACKAGE ONLY

4716-4541 Valance, 2460

4724A1981 Curtain tab M100

### PRIVACY CURTAIN PACKAGE AND COMPONENTS

4723B7831 Privacy curtain 2460  
plum

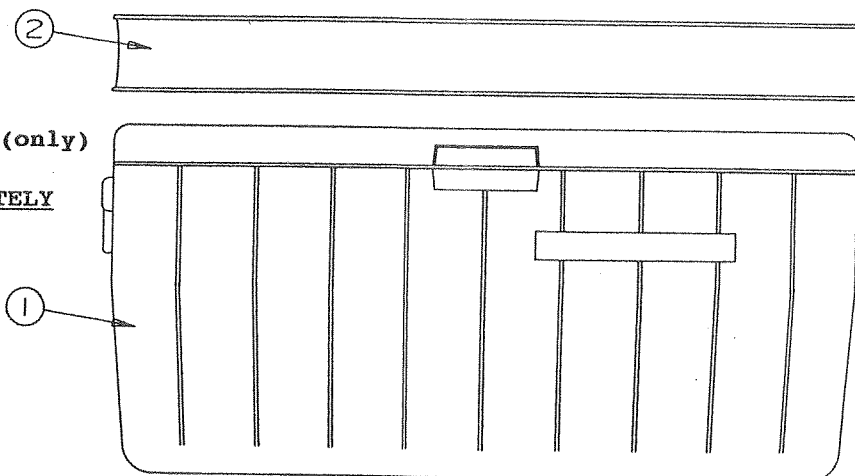
Curtain Tie (package of 1)

4714B3461 Curtain tie 2460

### COOLER

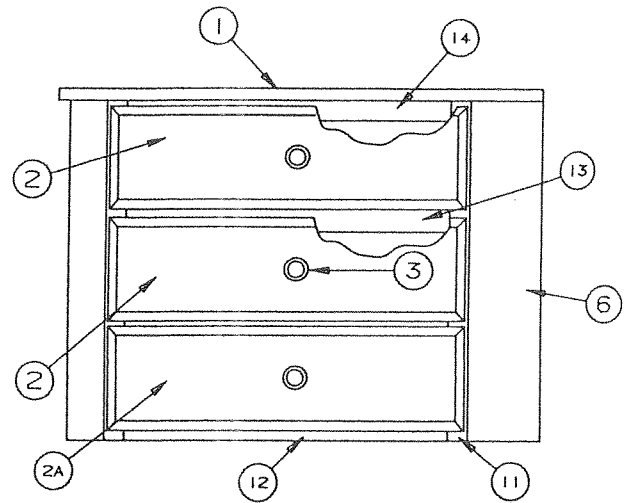
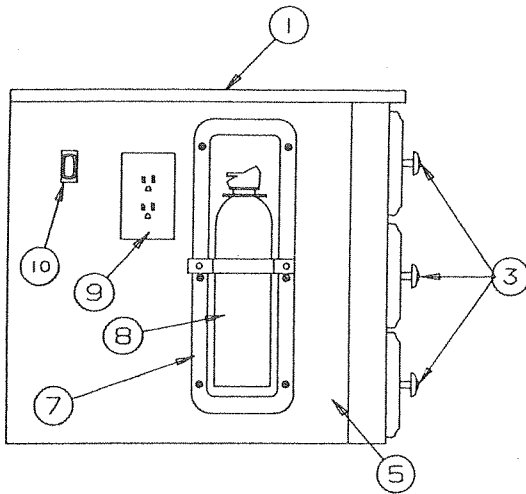
- ① 5294B806 Cooler Assembly,  
Models 2460  
68 Quart, Cushion Cooler
- ② 4749-5921 Cooler Cushion Assembly (only)

COOLER CUSHION ASSEMBLY SOLD SEPARATELY



# CHEST OF DRAWERS MATTRESS ASSY'S

# 1990 AMERICANA "ALTA" PARTS LIST



### CHEST OF DRAWERS

4749-575 - Chest of drawers assembly - 2460  
(complete)

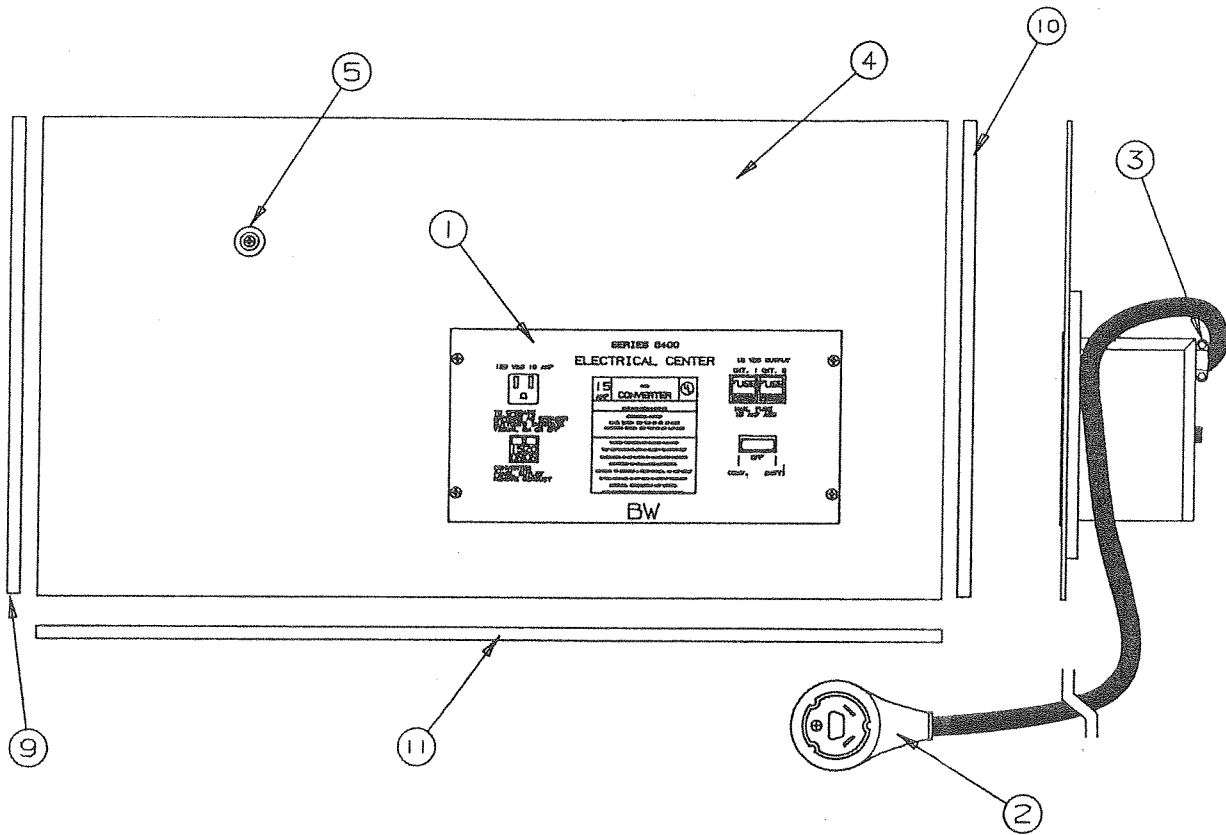
CODE	PART NO.	DESCRIPTION
1	4749-3331	Cabinet top, 2460
	4737-8478	Screw, (top to cabinet)
2	4749-5821	Drawer assy x2 (top & center)
2A	4749-5831	Drawer assy x1 (bottom)
3	4749-2308	Drawer pull
	1022B0818	Screw
4	1203-9258	Accordion rivet (plastic)
	1202E0408	Washer (not shown)
5	4749-3061	Cabinet side & front (left)
6	4749-3211	Cabinet side & front (right)
7	4737B4198	Recessed fire mount
	4734-1861	Rivet x6, M25
8	4737A5558	Fire extinguisher
9	4710B3551	15 AMP Receptacle cover
	4744-3081	Receptacle box
10	4733B4981	Rocker switch (to turn access door light on and off)
11	4749-3211	Cabinet side (right) x1
12	4744C168	Trim (lower) x1
13	4747-182	Spacer x2
14	4744C167	Trim upper x1

### MATTRESS ASSEMBLIES, 2460 ALTA

	<u>Front Bed</u>		<u>Rear Bed</u>	
	<u>Assembly</u>	<u>Cover</u>	<u>Assembly</u>	<u>Cover</u>
2460 Alta	4724A8071	4716A8071	See Expanda Bed Section	

### Reference Dimensions

	<u>Front Bed</u>	<u>Rear Bed</u>
2460	71 x 51 x 4	See Expanda Bed Section

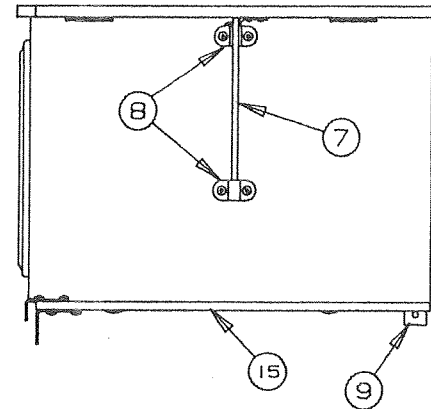
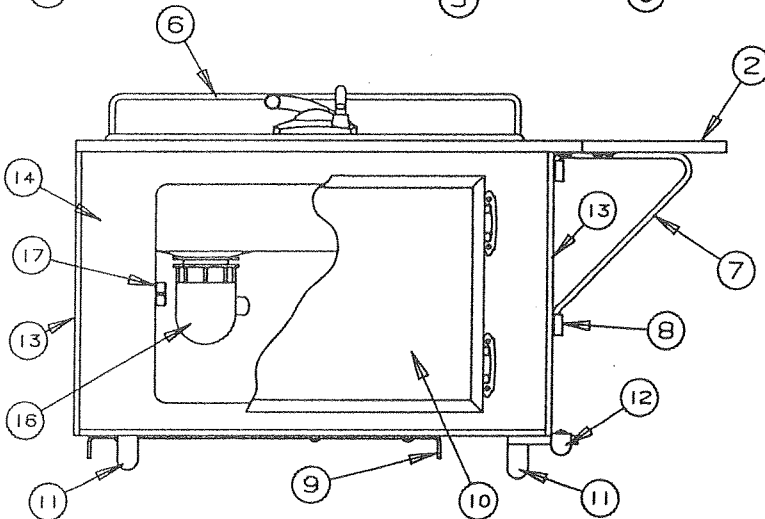
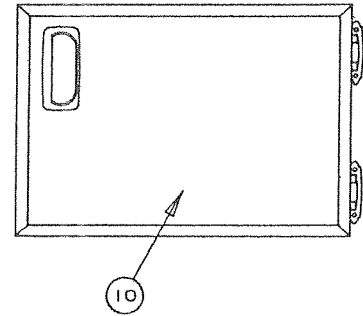
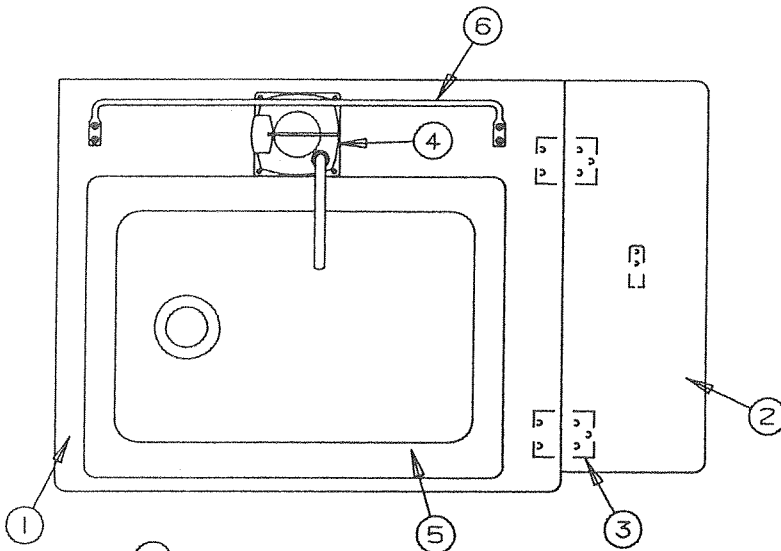


**CONVERTER PANEL ASSEMBLY, 2460**

CODE	PART NO.	DESCRIPTION
1	4741B5241	Converter, 6 AMP BW
	4737-8488	Screw x4
2	4714-3021	Power cord, 31 ft.
	1201-8658	Clamp (plastic)
	4737-8488	Screw x1
3	1216-457	Strain relief 3/4" x 1"
4	4714D4501	Universal wall panel (48" x 18 1/8") Classic Oak
5	4724-2608	Recessed bumper x1
	4716-072	Screw x1
6	4735A6721	Extension harness (not shown)
7	1216-451	Strain relief 3/8" x 2" "Romex" wire 14 AWG (not shown) (Purchase Locally)
8	4735B6901	Heater harness (not shown)
9	4741C8971	Corner divider x1
10	4720L211	Panel divider x1
11	4741B8961	Toe molding
12	4744-3081	Receptacle box (not shown)
13	4714-3411	Fuse cap, M4 (not shown)

# SINK CABINET ASSY

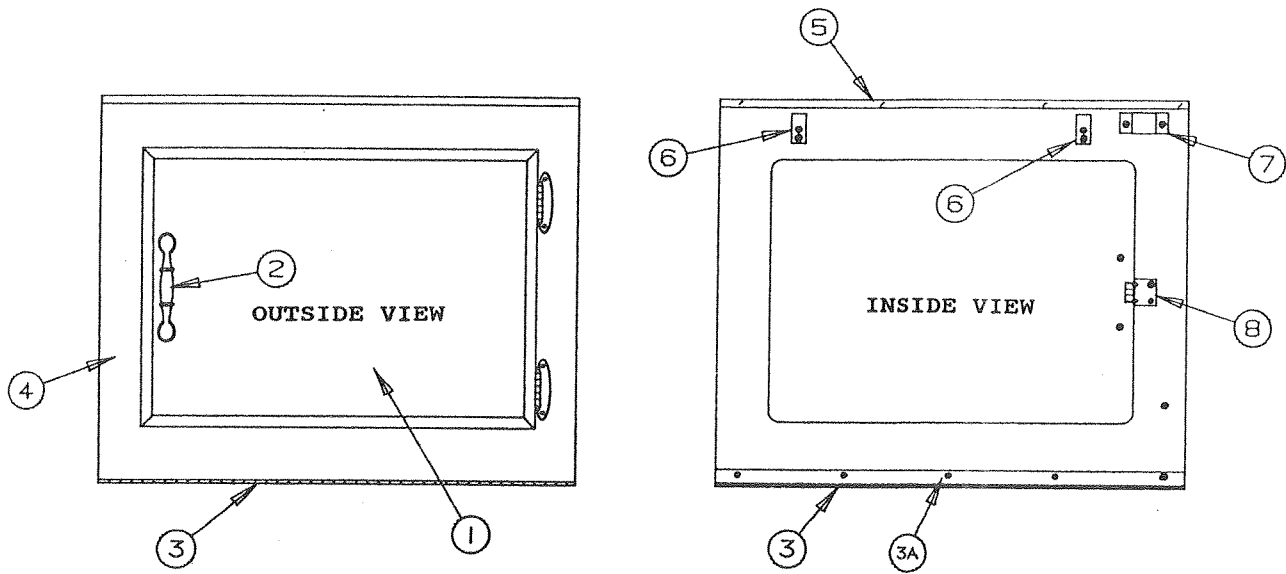
# 1990 AMERICANA "ALTA" PARTS LIST



**SINK CABINET ASSY 2460 (CURBSIDE)**

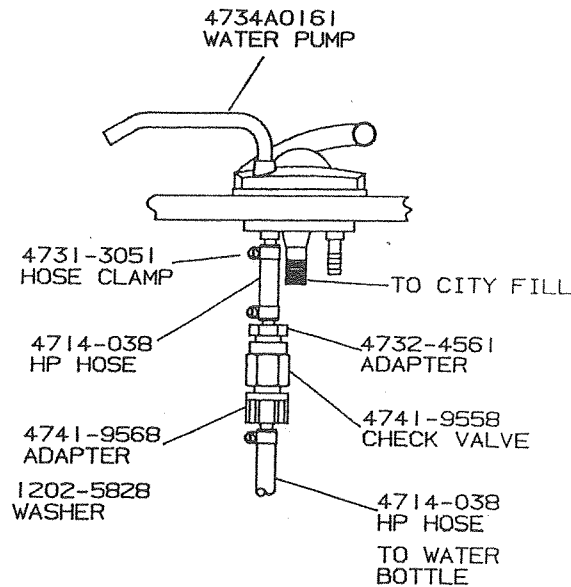
CODE	PART NO.	DESCRIPTION
1	4749-2821	Upper galley top, 2460
	4060000080	5/8" T molding
2	4749-2831	Sink side board, 2460
	4720A0721	Cooler clip, M2
	4716-059	Screw, (clip to top)
3	4749-2871	Hinge x2
	4716-059	Screw
4	4734A0161	Water pump
	1103E0608	Screw x4
	4710D0301	Sink
	4350000029	Putty tape (sold per foot)
5	4730D3151	Basket & strainer
	4714B0661	Crumb cup
	4734C0991	Towel rack
6	4737-8488	Screw (rack to top)
	4749-2841	Prop rod x1
7	4740A1898	Support bracket x2
	4733A0601	Rivet x4, M25

CODE	PART NO.	DESCRIPTION
9	4745A4151	Wardrobe bracket
	4737-8478	Screw x4
	4745A414	Sink cabinet hinge (mounted on paneling)
	1103B1016	Screw x3
	4733-4138	Tek screw x2
10	4749-5711	Door assy 2460
	4749-3321	Door pull (plastic)
11	4749-289	Stop bracket x2
	4737-8478	Screw x4
12	4749-290	Stop bracket, short x1
	4737-8478	Screw x2
13	4749-278	Galley side x2
14	4749-277	Galley front x1
15	4749-293	Void cover x1
16	4734A0671	Drain P trap, M2
	4714-277	Drain hose (brown), M5 (Sold 5 foot lengths)
17	4749-285	Latch bracket angle
	4733-6391	Latch & strike pkg

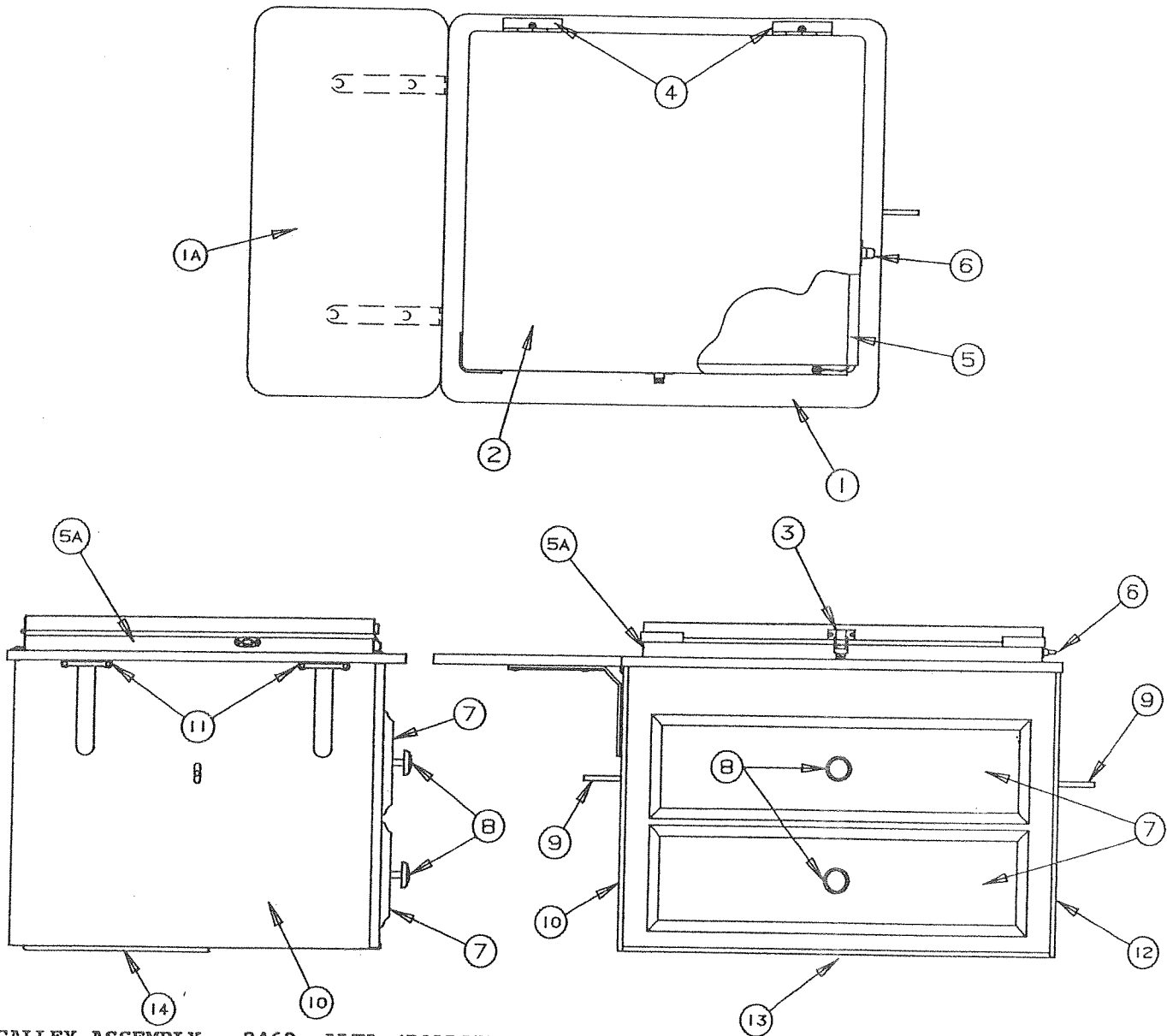


**LOWER SINK CABINET ASSY - 2460 (CURBSIDE)**

CODE	PART NO.	DESCRIPTION
1	4749-5941	Door assy, 2460
2	4739B0508	Door pull x1
	4716-055	Screw x2
3	4749-2861	Hinge
3A	4749-4108	Screw x5
4	4749-250	Lower cabinet front
5	4060095602	Vinyl extrusion 21 3/8" long
6	4720A0721	Cooler clip x2, M2
	4749-4108	Screw x2
7	4747-3941	Bracket
	4749-4108	Screw x2
8	4749-285	Latch bracket angle
	4733-6391	Latch & strike pkg
	4749-4108	Screw x2



# 1990 UPPER GALLEY ASSY AMERICANA "ALTA" PARTS LIST



**UPPER GALLEY ASSEMBLY - 2460, ALTA (ROADSIDE)**

CODE	PART NO.	DESCRIPTION
1	4749-2621	Upper galley top, 2460
1A	4749-5931	Galley shelf assy, 2460
	4060000080	5/8" T molding
2	4741C6031	Stove cover assy, 2460
3	4733-4018	Stove cover latch x1
	1203E306	Machine rivet x2
	4733-4028	Strike x1 (screwed to galley)
	4737-8478	Screw x1
4	4739A282	Hinge x2
	4716-052	Screw x2
	1201B6958	Kepsnut x2
	1203E306	Machine rivet x4
5	4739F2931	Stove box, 3 burner, 2460
	4738-3088	Screw x4
5A	4744B2401	Stove cover top, 3 burner,
6	1226D1538	Stove fin
	1203-8678	Counter sunk rivet x2

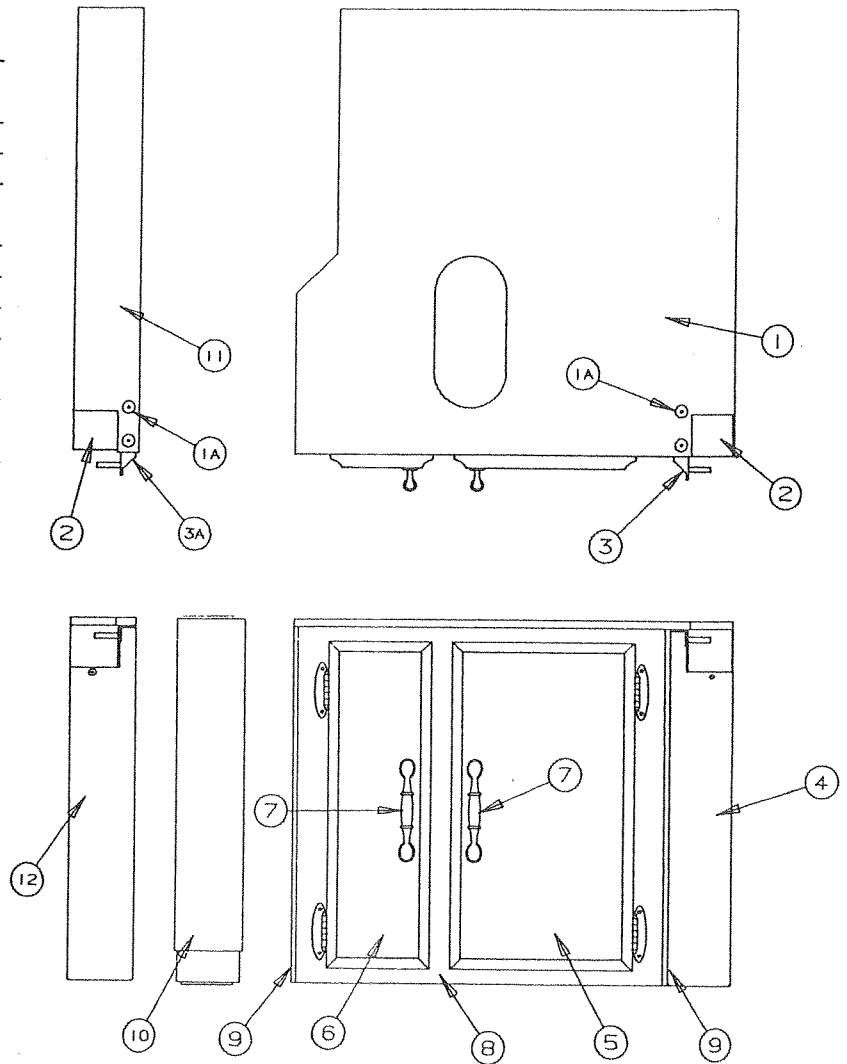
CODE	PART NO.	DESCRIPTION
7	4744D5741	Drawer assy x2
8	4749-2308	Drawer pull x2
	1022B0818	Screw x1
9	4744A509	Upper galley angle assy x2
10	4744D0708	Upper galley side (left) x1
11	4733-4511	Steel loop x2
	1203-8978	Rivet x4
12	4749-223	Upper galley side (right) x1
13	4749-256	Galley trim angle x1
	4738-3088	Screw x5
14	4064700089	PVC extrusion (approx. 37")



# 1990 AMERICANA "ALTA" LOWER GALLEY ASSY PARTS LIST

**LOWER GALLEY ASSEMBLY - 2460 (ROADSIDE)**

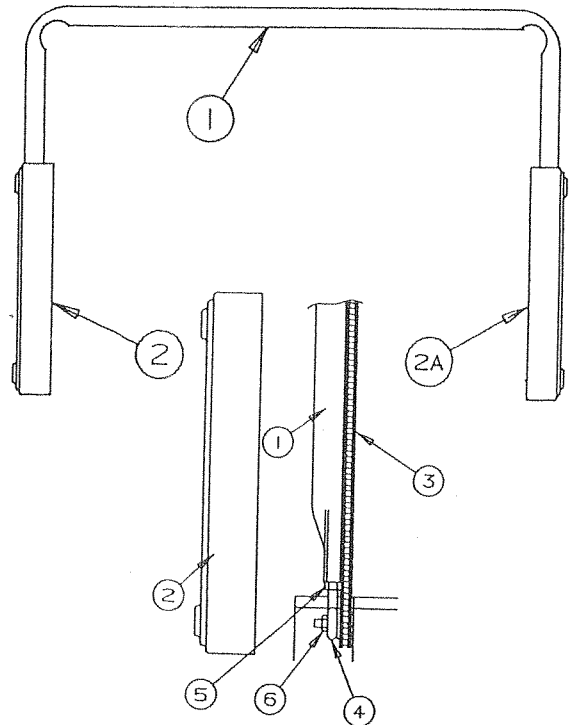
CODE	PART NO.	DESCRIPTION
1	4749-2671	Lower galley top, 2460
1A	4744-4608	Rivet x2
2	4744C0851	Filler
	1203-8951	Rivet, M25
3	4744C5321	Galley bracket (right)
3A	4744C5331	Galley bracket (left)
4	4744D1131	Spacer (right)
5	4749-5591	Door assy
	4739-0528	Screw x4
6	4749-5661	Door assy
	4739-0528	Screw x4
7	4739B0508	Door pull
	4716-055	Screw x2
8	4749-252	Lower galley front
9	4749-238	Cabinet trim
10	4744E5561	Galley filler assy x1
11	4749-265	Lower galley top
	4741-221	Angle x1
	4716-075	Screw x1
12	4744D1121	Spacer (left)



**UPPER GALLEY LIFT BAR ASSEMBLY**

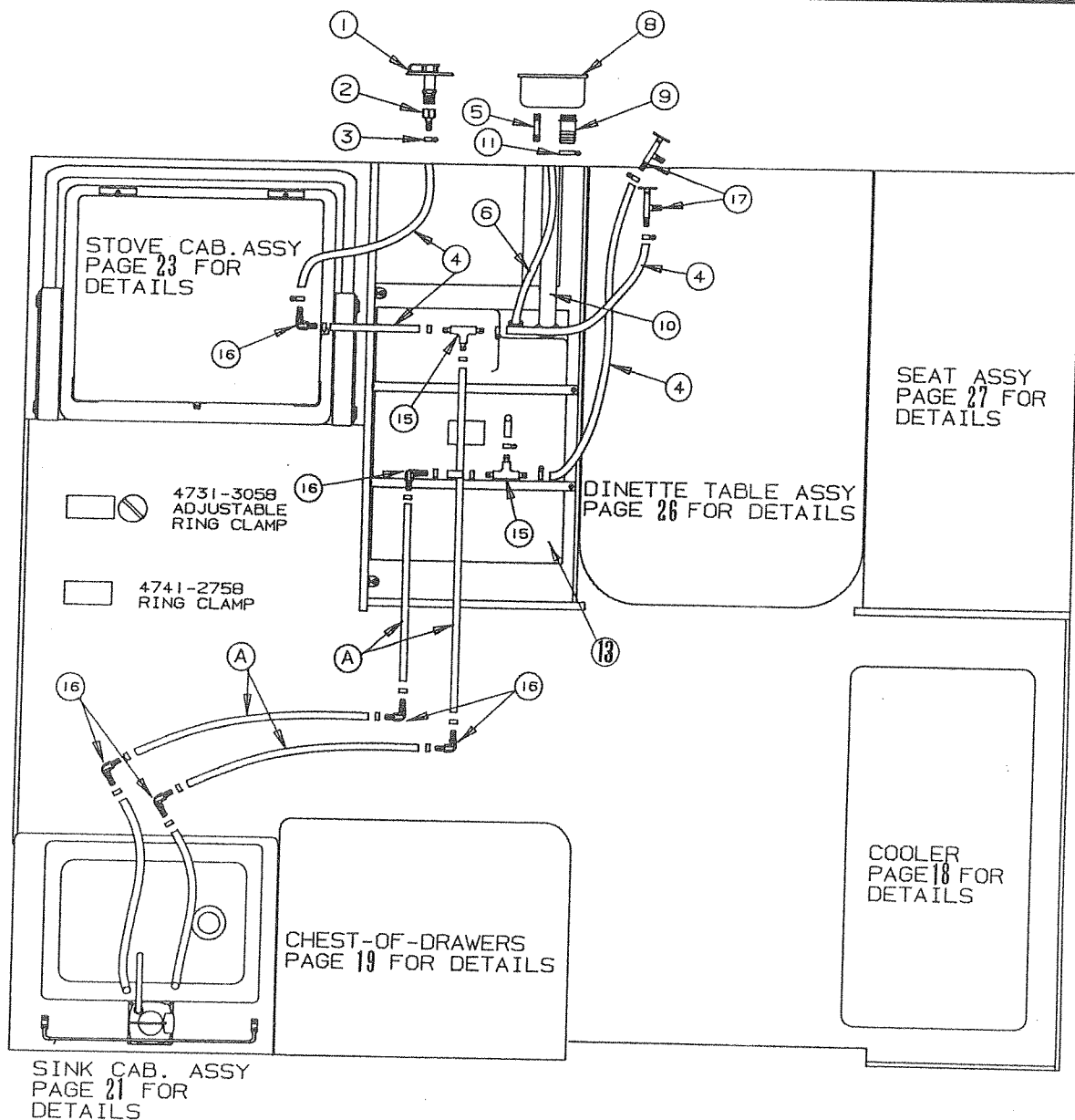
CODE	PART NO.	DESCRIPTION
1	4749-309	Lift bar 2460
2	4744B0811	Chain cover (left)
	4733-4136	Screw x2
2A	4744B1471	Chain cover (right)
	4733-4136	Screw x2
3	4744-6321	Chain assembly
	4744A0681	Chain
	4714-0351	Half link
	4730A3811	Connecting link
4	4744-4451	Eye bolt, M4 (less bushing)
	4744-9211	Bushing, M2
5	1201B6028	Adjusting nut x2
6	1201B6378	Nut x4
7	4737-9238	Sprocket x2
	4744-9211	Bushing, M2
	1201B6378	Nut

Item 7 not shown



# WATER SYSTEM

# 1990 AMERICANA "ALTA" PARTS LIST

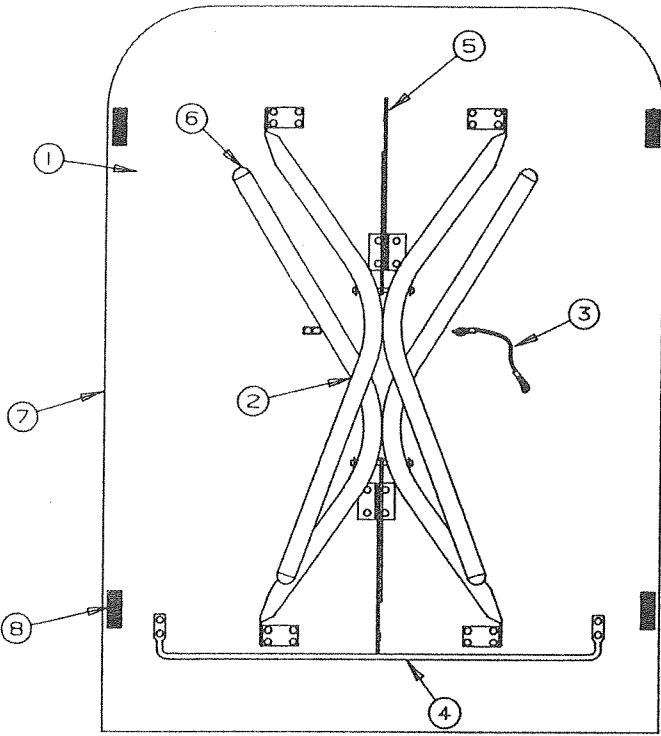


## WATER SYSTEM - 2460 ALTA

CODE	PART NO.	DESCRIPTION
1	4732E1521	City water fill (built-in check valve)
2	4741-9568	Female adaptor
	1202-5828	Washer
3	4731-3058	Adjustable hose clamp, 5/8"
4	4714-038	High pressure hose cold water 3/8" sold per foot
5	4744-1298	Barbed connector (3/8" barb)
6	4733B1201	Vent hose, clear
7	4732A4561	Adaptor fitting

CODE	PART NO.	DESCRIPTION
8	4731C1711	Recessed fill spout
9	4744-1288	Barbed nipple (1 3/8" barb)
10	4731F1081	Water fill hose (green 1" I.D.)
11	4715-4501	Adjustable hose clamp, 1 1/4"
12	4737-4641	Tank filter
13	4747-9101	Water tank
14	4400075001	Tank strap x2
	4737-8488	Screw x4
15	4741-2388	Barbed tee 3/8"-3/8"-3/8"
16	4741-2398	Barbed elbow x6
17	4741A2368	Draine tee x2

A 4060050001 3/8" ID rigid tubing (gray)

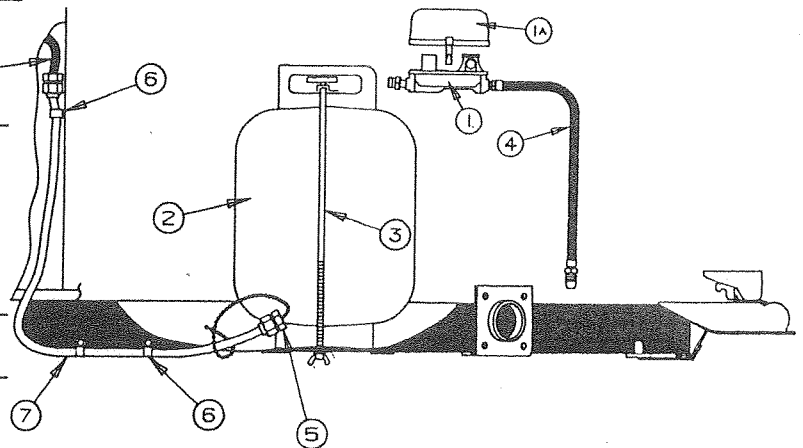


**DINETTE TABLE ASSEMBLY**

CODE	PART NO.	DESCRIPTION
1	4749-3231	Table top 2460 24 x 36 3/8" x 1/2"
2	4745-5271	Dinette table leg assy, M2 (includes hardware to install legs to table top)
3	4720B5951	Table strap assy, 8" length, M4
4	4734C0991	Towel rack, 2460
	4737-8488	Screw, rack to top
5	4744-6971	Lock brace package
	4737-8488	Screw, brace to top
6	4720C3928	Table leg cap
7	4060000078	T molding, 3/4"
8	4724D2631	Velcro hook
	4724E263	Velcro loop (located on the seat frame assy)

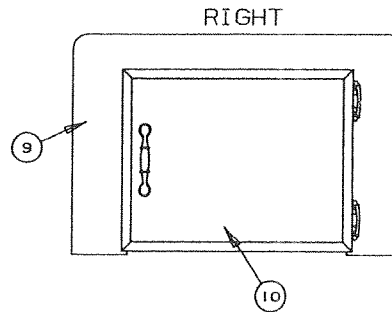
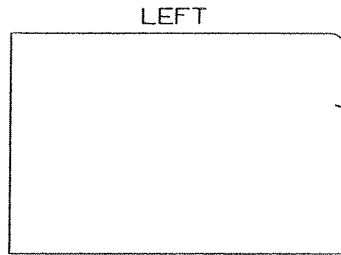
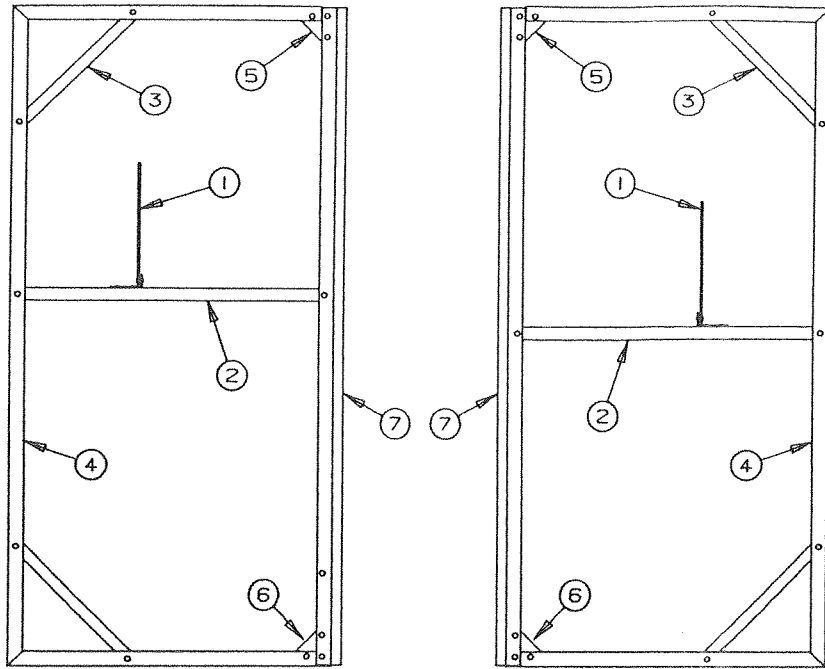
**GAS SYSTEMS - 2460, ALTA**

CODE	PART NO.	DESCRIPTION
1	4739A1291	Regulator
1A	4734B3781	Regulator cover
2	4720H5928	Gas bottle
3	4733F6281	Gas bottle mtg package
4	4733A3991	Flexible gas hose
5	4733A3888	Plastic cap w/chain
6	1201-8708	3/8" Tube clamp, rubber-coated
	4737-2558	Tek screw
	4733A4128	Bushing
7	4714-0711	3/8" O.D. copper gas line, 100" length (includes 1 bushing and 2 flared plugs)
	1215-2418	Flared plug
	4747-627	Ground clamp x1
8	4730A3431	Flexible gas hose 1/4"-32" long



# SEAT FRAME ASSY'S PANELING AND TRIM

# 1990 AMERICANA "ALTA" PARTS LIST

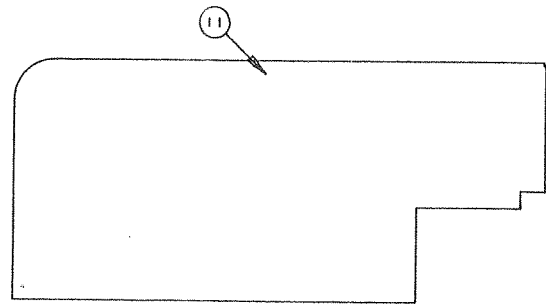


### SEAT FRAME ASSEMBLIES

	LEFT	RIGHT
	2460 4749-572	4749-573

NOTE: (Seat Frame Assemblies are special orders)

CODE	PART NO.	DESCRIPTION
1	4744-6961	Support arm assembly
	4733A0601	Rivet x2, M25
2	4749-093	Cushion support, 2460
3	4745-299	Seat cushion support
4	4749-324	Seat support 2460
5	4745-298	Seat bracket (left)
6	4745-297	Seat bracket (right)
7	4749-327	Table rest, 2460
8	4749-3281	Seat end, left 2460
	4745-295	Bracket x2
	4737-8478	Screw
9	4749-3261	Seat end (right), 2460
10	4749B5271	Door assembly, 2460
11	4744E1931	Seat gazoodi, 2460



### PANELING AND TRIM

4714D4501	Universal wall panel (48" x 18 1/8") Classic Oak
4714C2911	Corner divider (17 5/8" lengths) M5
4714C2921	Panel divider (17 5/8" lengths) M5
4714C2931	Toe molding (48" lengths) M2



# 1990 AMERICANA "ALTA" PARTS LIST

## CUSHION AND BACKREST ASSY'S MISCELLANEOUS

### CUSHION AND BACKREST ASSEMBLIES

	CUSHION ASSEMBLY	CUSHION COVER	BACKREST ASSEMBLY	BACKREST COVER
2460 Alta	4749-5771	4716-5771	4749-5761	N/A

4710-2681 Stop button, M5 (all cushion assemblies only)  
1034B0828 Screw

**NOTE:** Backrest Cover on the Alta Trailer is not available due to the button attachment.

### REFERENCE DIMENSIONS

	Cushion	Backrest
2460	36 x 15 1/8 x 4	36 x 13 9/16 x 4

#### PARTS PACKAGES

4716E6591 Parts Package, 2460  
4720C3031 Safety chain, M2  
4720E5211 Crank handle  
4730A3211 Keys, M10  
4732A4791 Safety pin, M10  
4733A3991 Gas hose  
4733B056 Gas bottle mounting pkg  
4734B3781 Regulator cover  
4735C6741 Pigtail, M4  
4739A1291 Gas regulator  
4749-1861 Stabilizer handle  
4771-2631 Hitch pin, M5

#### TOUCH-UP PAINT

16oz. Spray  
0008-2471 Black  
0008A2441 Col White  
  
Quart Can  
4714-3741 Col White

#### PANELING AND TRIM

4714D4501 Universal wall panel  
(48" x 18 1/8") Classic Oak  
4714C2911 Corner divider  
(17 5/8" lengths) M5  
4714C2921 Panel divider  
(17 5/8" lengths) M5  
4714C2931 Toe molding  
(48" lengths) M2

#### OTHER PACKAGES

4733C6701 Auto extension  
4749-1351 Spare tire carrier

#### OTHER PACKAGES

4714-2171 Dry Clean pad, M5  
4737B2838 Colonial white caulking

#### KITS

4714-3711 Faucet repair kit  
4714A2531 Faucet connection kit

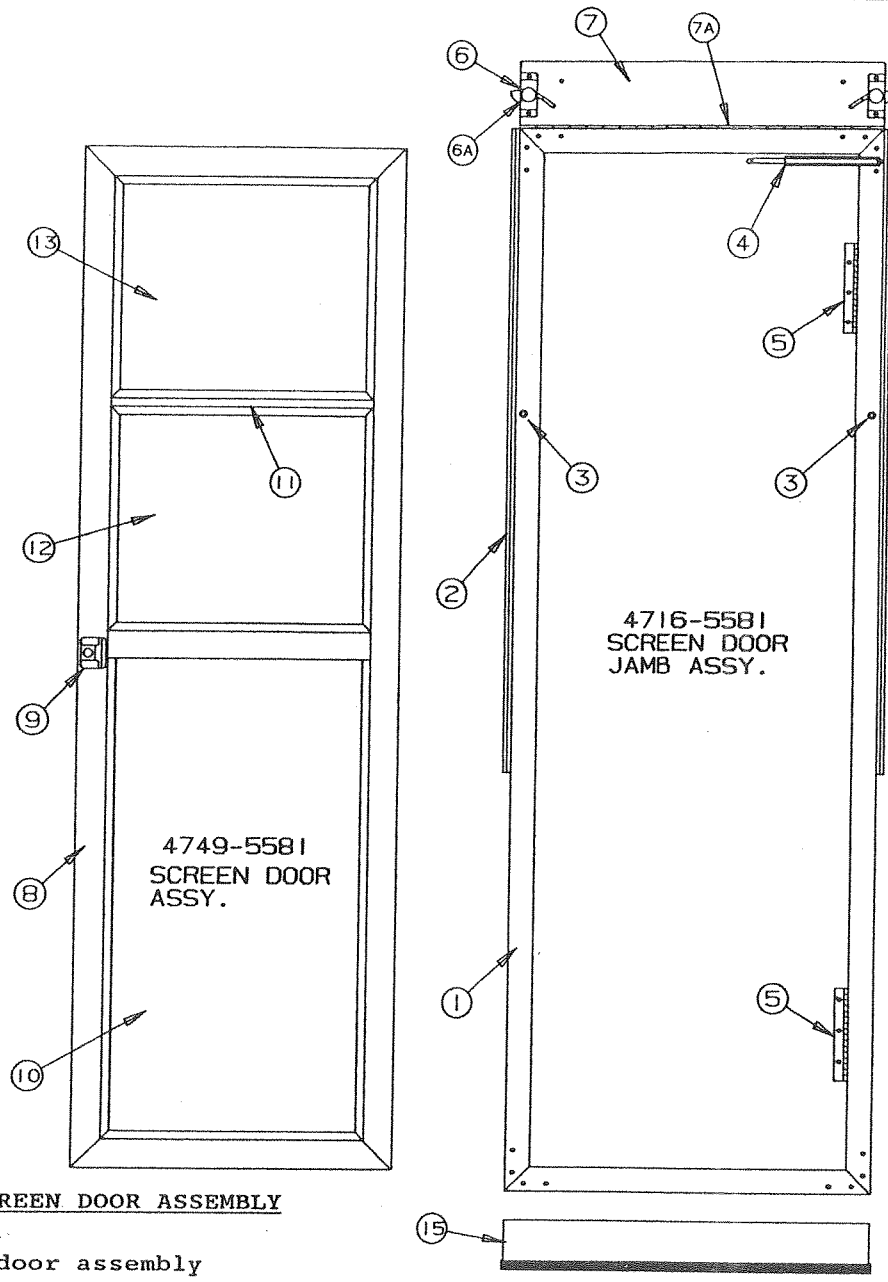
#### REPAIR TRIM TAPE KIT

Kit consist of: trim tape, decals, rivets and foam tape

4716B2131 Panel, roadside repair trim tape kit  
4716B2141 Panel, left side repair trim tape kit  
4716B2151 Panel, front/rear repair trim tape kit

# SCREEN DOOR & JAMB ASSY

# 1990 AMERICANA "ALTA" PARTS LIST



**AMERICANA SERIES SCREEN DOOR ASSEMBLY**

- 4749-5581 Screen door assembly
- 4716-5581 Screen door jamb assembly

CODE	PART NO.	DESCRIPTION
1	4716-5581	Screen door jamb assy
2	4710G4101	Door seal, 46" long
	4741B9861	Rivet, M25
3	4730A3548	Stud x2
4	4731A8201	Screen door spring assy
	1203-8741	Rivet x1 (spring to jamb)M25
	4734B1861	Rivet, M25
5	4720F3601	Screen door hinge x2
	4741B9861	Rivet, M25
6	4741-8658	Sash lock x2
	1203-8651	Rivet x2, M50
6A	4737-3211	Rubber button x2, M8
7	4741D8831	Top bracket x1
	1203-8651	Rivet x10, M50

CODE	PART NO.	DESCRIPTION
7A	4749-2161	Hinge x1
8	4749-5581	Screen door assy
9	4733C4791	Latch assy package
10	4737B8771	Kick plate
11	4060000385	Weather strip - 18" length
12	4710A5041	Fixed window pane x1
13	4710B5061	Sliding window pane x1
14	4710C5011	Screen panel x1 (not shown)
15	4741D6221	Screen door support assy
	1114B1012	Screw x4
	4060000399	Rubber seal (sold/foot)
16	4350000005	3/4" Velcro hook, grey



# 1990 AMERICANA "ALTA" PARTS LIST

Pop Rivets (Equivalent may be purchased locally from hardware store.)

Rivet No.	Pkgd	"B" Dia.	"C" Dia.	"L" Length	Color	Typical Usage
1203-8678		1/8	1/4	1/2	Alum.	UG, stud to cooktop, latch to stove cover, rt rear pnls
1203-8951	M25	1/8	1/4	3/8	Black	Doors to cabs, latch support, reefer kits, storage bumper
1203-8631	M50	5/32	1/4	1/2	Alum.	Screen door assembly, bed extensions
4741B9861	M25	5/32	1/4	1/2	ColW	Curtain track to body rail, sc dr hinge & strike
1203-8641	M50	3/16	3/8	1/2	Alum	Lift assy, chests of drawer cabinet, corner bulkheads, bed assy, top assy, tire carrier
1203-8651	M50	3/16	3/8	3/4	Alum	Drawer slides, bed assy, sc dr, wheel well, reefer kits, spare tire support assy.
1203-8741	M25	3/16	3/8	3/4	Alum	Lashing hooks, bed assy, screen door, furnace kits, molded gas bottle cover
1203-8831	M25	3/16	5/8	5/8	Alum	Chest of drawers cabinet, bed assy
1203-8841	M25	3/16	5/8	15/16	Alum	Bed support clips, rail to bulkhead, wheel well
1203-8978		3/16	3/8	1/2	Alum	Access door bulkhead (countersunk), boat rail, stove shelf
1203C8721	M25	3/16	5/8	11/16	Steel	Swing arm assy, bed assy
1203C8751	M25	3/16	3/8	7/16	Steel	Wardrobe rack and hanger (dome head)
4733C0601	M25	3/16	3/8	1/2	Col W	Access door cap, corner miter covers, body rails, bed assy, hatch dr, sc dr, access dr, dr bulkhead
4733A0601	M25	3/16	3/8	1/2	Beige	Latch supt to cab, supt arm to seat
4734-1861	M25	3/16	3/8	3/4	Brown	Fire extinguisher holder, seat frame assy, lower gall assy chests of drawer cabinet, tire carrier, storage cabinet
4734B1861	M25	3/16	3/8	3/4	Col W	Rail to body panel, sash lock and bracket
4744A3301	M25	3/16	5/8	15/16	Col W	Body rail to door bulkhead

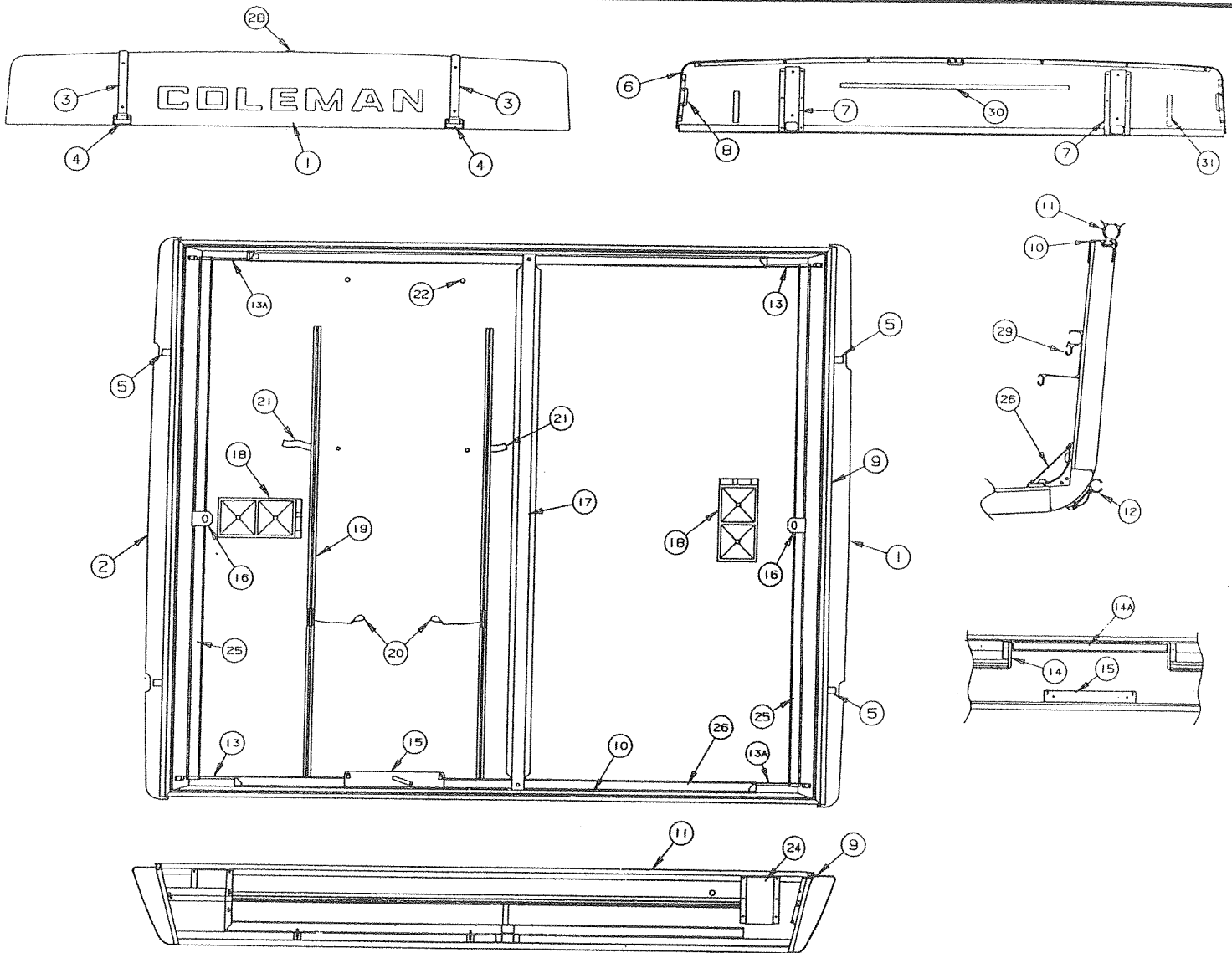
Expansion Rivet

4744-4611	M25	5/32	7/16	13/16	Alum	Screen door track, body panels to frame, gas line clamp molded gas bottle cover, reefer kits
-----------	-----	------	------	-------	------	--

**Note:** This table reflects the general usage of the rivets used in our trailers. It does not include all rivets in the parts catalog. Please refer to individual assemblies to find any specific rivet that is needed.

# TOP ASSY'S

# 1990 AMERICANA "ALTA" PARTS LIST



## TOP ASSEMBLIES

### AMERICANA SERIES (Colonial White)

4746-5241 - Top assembly 2460

CODE	PART NO.	DESCRIPTION
1	4749A1481	Top end cap rear
	4747-1058	Plastic rivet x4
2	4749A1471	Top end cap front
	4747-1058	Plastic rivet x4
3	4749B0981	Top trim, M2 x2
	4716-054	Screw x4
4	4749A1441	Strike, M2 x2
	4741B9368	Screw x2
5	4060000106	Top trim 1 3/4" x4
6	4749-1621	End trim
	1103E1018	Screw x11 (each end)

CODE	PART NO.	DESCRIPTION
7	4749A551	End cap brkt x2
	1103E1018	Screw x6
	4350000175	1/8" x 5/8" Live rubber tape
8	4749B127	Side bracket x3,
	1103E1018	Screw x2
9	4741D213	Top seal extrusion x2
	1103E1018	Screw x2
10	4747-276	Top seal extrusion x2 2460
	1103E1018	Screw x8
11	4060000015	Top seal (black rubber)
12	4747-280	Canopy track, 2460
	4741B9368	Screw x13
	4350000175	1/8" x 5/8" Live rubber tape
	4060000096	Vinyl cover





# 1990 AMERICANA "ALTA" PARTS LIST

## TOP ASSY'S

CODE	PART NO.	DESCRIPTION
13	4741E3541	Lift cover (Curbside frt/ Roadside rear)
13A	4741F1281	Lift cover (Roadside frt/ Curbside rear)
	4716-077	Screw x4
	4741C3558	Hole plug x2
	4350000022	Foam tape
	4724D0991	Lift pocket fastner, M4
14	4741-8841	Screen door bracket
	4733-4138	Screw
	4744A465	Velcro hook 2" x 3/4"
14A	4350000022	Foam tape
15	4749-5571	Screen door storage brkt
	4749-2138	Snap button
	1203-8641	Rivet x1, M50
	4741B9368	Screw x3 colonial white
16	4741D1131	Tent support bracket x2
	4741B9368	Screw x2
17	4749-1281	Air conditioner brace
	4747-6951	Angle assy, x2
	4746A0538	Bolt x2 (Colonial White, outside of top)
	4747-2328	Washer sealing
	4747-1118	Machine screw
18	4744-4741	Double dome light
	4714E0891	Light lens only (opaque)
	4734-2388	Connector x2
	4716-077	Screw x4
19	4733E4711	Screen door track x2
	4744-4611	Expansion rivet, x10, M25
	1203-9258	Plastic accordion rivet x4
20	4734C5211	Screen door cable x2, M6
21	4723A5061	Safety strap x2
22	4737-3211	Rubber button (white) M8
23	4350000003	Trim strip tape (76")
23A	4350000003	Trim strip tape (7")
24	4741C5431	Lift pocket assy x4
25	4741F214	Cove, front/rear (all)
26	4747-279	Cove side x2, 2460
	4737-8488	Screw
	4060000020	Vinyl cover
	4741B9658	Expansion rivet
27	4734A397	Exit tag
28	4716-0831	Center seam trim (Located on the outside of top) (11' length, must cut to proper length)
	4350000295	Double stick tape, white NOTE: Must order per foot.
	4749A0901	Trim cap, plastic x2 (includes cap x2, screw x2, & putty tape 2")
	1111E1012	Screw x2
	4350000029	Putty tape (Sold/foot)
29	3530000024	Tent extrusion (sold/foc)
30	4749-197	Foam block x1
31	4747-940	Foam block x2