



CAMPING TRAILERS

13'

2399

ENJOY LUXURIOUS LIVING WITH CONVERTIBLE CONVENIENCE!



THE COLEMAN

Plantation

1989

2399

*DeVier
ayle
TOR Flex
925-2215 DT
516-10E68*

**Coleman means
QUALITY**

Always has. Always will.

ACCESSORIES

1989 PLANTATION PARTS LIST



CAMPING TRAILERS

ACCESSORIES AND REPAIR PARTS

- Air Conditioner, T.S.R. Mach III - 6759C707**
 6759B716 Ceiling asy with heat strip
 (required with air conditioner)
- Air Conditioner Installation Kit - 4737A9761**
 4737-974 Top brace assembly x2
 1103E1018 #10 x 5/8 Screw x4
 1201-8658 3/4" Cable clamp x2
 1202B0268 Washer x2
 4724-2608 Nylon recessed bumper x2
 4744-904 Right angle 20AMP plug gray x1
 4744A9291 Power cord x1
 1212-0128 Rubber grommet x1
 406-00-000-10 Vinyl edge molding 1.25ft
 435-00-000-58 Foam tape .5ft
- Canopy, Burgundy and Gray - 4723B7481**
 4723B747 Canopy only
 4716-067 #6 x 3/8 Screw x2
 1201B7078 Pal nut x6
 1201B7338 Pal nut x2
 1225-4191 Zipper pull, M5
 4720A2361 Support rod x3
 4724-2558 12" Hook stake x3
 4724B3931 Rope adjuster x3
 4734-6708 Spring clip x6
 4737A4258 Canopy end cap x2
 4737B964 Canopy support x1
 4741-4971 Screem room bumper M6, x3
 665-05-000-27 Chain Zipper, Suntan
 8470-1728 Blue pin x3
 8470-1748 1" Red cap x3
 8470-2258 Blue pin x3
 4737B965 Canopy support assy, x1
 8460A1431 Polyrobe x3
 4723A5291 Screen room pole assy x3 *Rafter*
- Furnace, Hydro-Flame, 20,000 BTU - 4737-9661**
 4737D5971 x3 *Support Poles*

*MASTER HITCH
LOCK #35.*

- Luggage Rack - 4737-9631**
 4737-962 Luggage rack rail x2
 4739B6901 Rail support assembly x4
 4716-051 #10 - 24 x 1 1/2" S/S screw x8
 4716-065 #10 x 1" S/S screw x8
 1200E1458 1/4 - 20 x 2 1/2" S/S screw x8
 1201E6128 1/4 - 20 Acorn nut x8
 1201E6398 10-24 S/S lock nut x8
 4737A9038 3/16 x 2 1/2" neoprene pad x4
 4716-073 S-hook x6
 4744-2708 Gutter clip x2
 406-00-218-01 Polypropyilene rope
 435-00-000-91 1/8 x 2" Neoprene rubber
- Privacy Curtain, Blue - 4723B7671**
 4725A1981 Curtain tab, M100
- Screen Room, Burgundy and Gray - 4723A7491**
 Requires 4723B7481 Canopy
 4724-7941 Screen room bag
 1225-4181 No. 5 zipper pull (double) M5
 1225U3638 44" No. 5 zipper slider half x2
 1225U3648 44" No. 5 zipper pin half x2
 406-00-000-12 Polyester cord
 4720D4021 Lashing hook M6, x2
 4724-2011 Shock cord clamp M10, x4
 4724A2558 10" Hook stake x11
 4716-073 S-hook x2
 4714B6021 14' Shock cord pkg M2
 4714D1611 54" x 3 yds Screen package
 4714-0361 54" x 13 yds Screen package
 435-00-000-02 3/4" Velcro loop, beige
 435-00-000-04 3/4" Velcro loop, grey
 435-00-000-07 3/4" Velcro hook, beige
 435-00-002-02 2" Velcro loop, grey
 655-05-000-28 #5 Chain zipper, off white
 4716-7571 Screen room adaptor pkg
- Spare Tire, B78-13, Load range "C" - 4745A1658**
Spare Tire Cover, Burgandy - 4723B7731
 4724-2011 Clamp M10, x2
 4716-073 S hook x1
 406-00-000-45 Cord 65"
 841-13-375-27 Welting
- Dual Gas Bottle Cover 4749-5341**
 1225-422 Zipper pull
 406-00-000-12 Draw cord, 83"

When ordering repair parts, please note:

To expedite your repair orders, please order by Coleman part number and the description shown in this parts catalog. If unable to find the part in this catalog, please state the model number and serial number (if known) of the trailer; describe the part; state where it is used; and, if necessary, state if on curbside, roadside, front or rear of trailer.

Symbols used in this catalog:

" " - Not shown on drawing.

"x2" - Items showing "x2", etc., indicate they are used times two on the assembly. They are sold one to a package.

"M4" - Items marked "M4", etc., indicate they are packed four to a package and are shipped only in packages of four. They are priced per unit. When ordering, please specify the total quantity you require - not the number of packages.

Note: All seven digit numbers are not necessarily sales stock items and may take slightly longer to obtain from the factory.

Note: Cushion, Backrest and Mattress assemblies may take longer to receive as they are not a stock item.

Minimum Order Requirements



CAMPING TRAILERS

1989 PLANTATION PARTS LIST

TABLE OF CONTENTS

HYDRO FLAME FURNACE - 20,000 BTU

4737-9661 Hydro Flame furnace

All warranty service and parts procurement for this item will be handled directly by:

Hydro Flame Corporation
1874 Pioneer Road
Salt Lake City, Utah 84101
Phone: 800/654-4614

Note: Refer to manufacturer's number FA7290P.

PORTA POTTI

4746A246 Porta Potti, Ivory

All warranty service and parts procurement for this item will be handled directly by:

Thetford Corporation
P.O. Box 1285
Ann Harbor, MI 48106
Phone: 800-521-3032

REFRIGERATOR

4745-171 Refrigerator

All warranty service and parts procurement for this item will be handled directly by:

Dometic Sales Corporation
(Refer to your factory authorized service center list for address and phone number.)

Note: Refer to model RM2200.

WATER HEATER - QUICK RECOVERY

4741-5531 Water heater

4747A8311 WATER FILTER

All warranty service and parts procurement for this item will be handled directly by:

Attwood Mobile Products
4750 Hiawatha Drive
Rockford, Illinois 61106
Phone: 815/877-7641

Note: Refer to model G6-SM.

NOTE:

Table with 2 columns: Item Name, Color/Type. Includes Body color (Colonial white), Top color (Colonial white), Woodgrain (Classic Oak), Countertop (MCLA Face), Tent (Evolution III).

Table with 2 columns: DESCRIPTION, PAGE NUMBER. Lists various parts like Access door assembly, Accessories, Axle assembly, etc., with corresponding page numbers.

PLANTATION FLOOR
PLAN
DRAIN SYSTEM

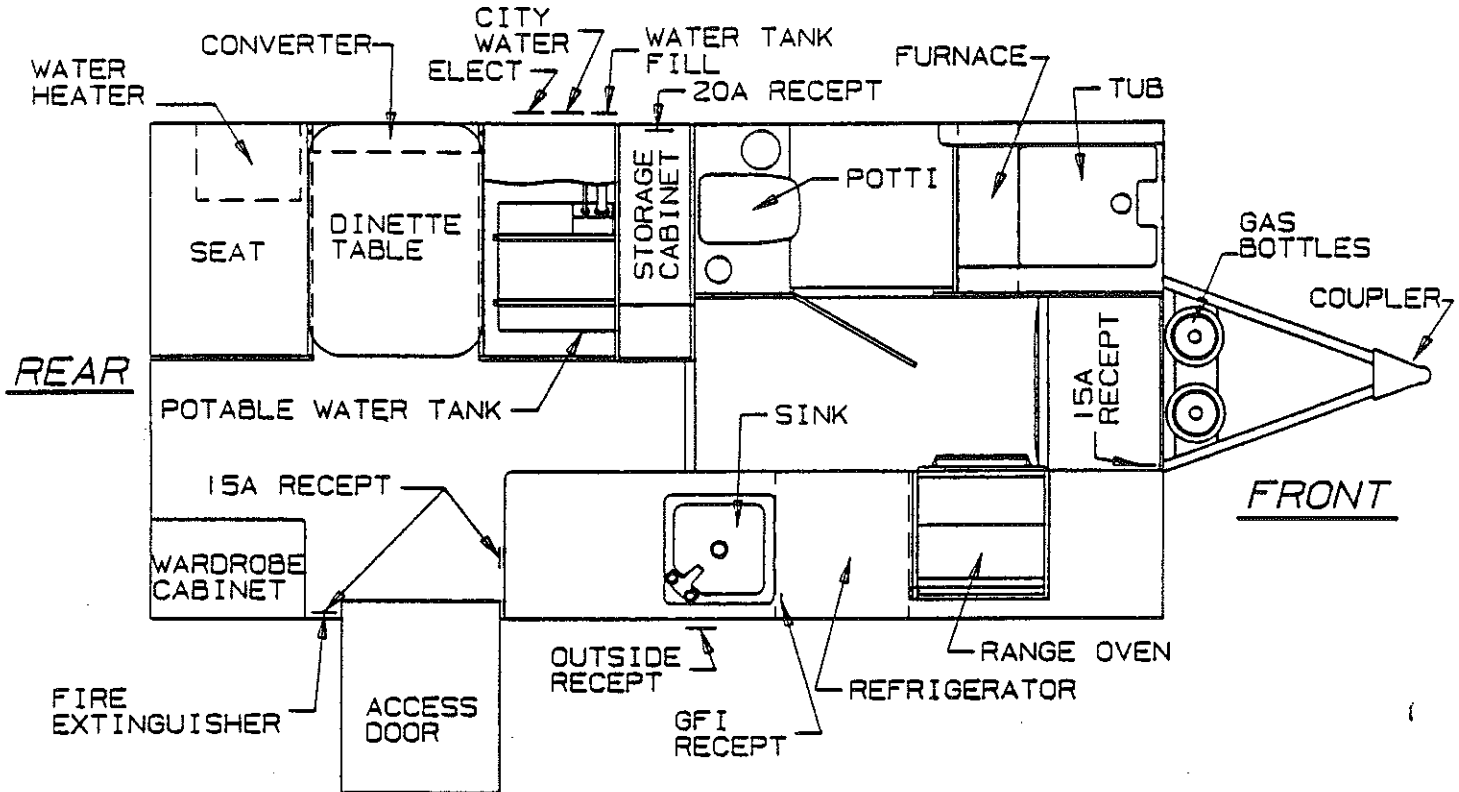
1989
PLANTATION
PARTS LIST



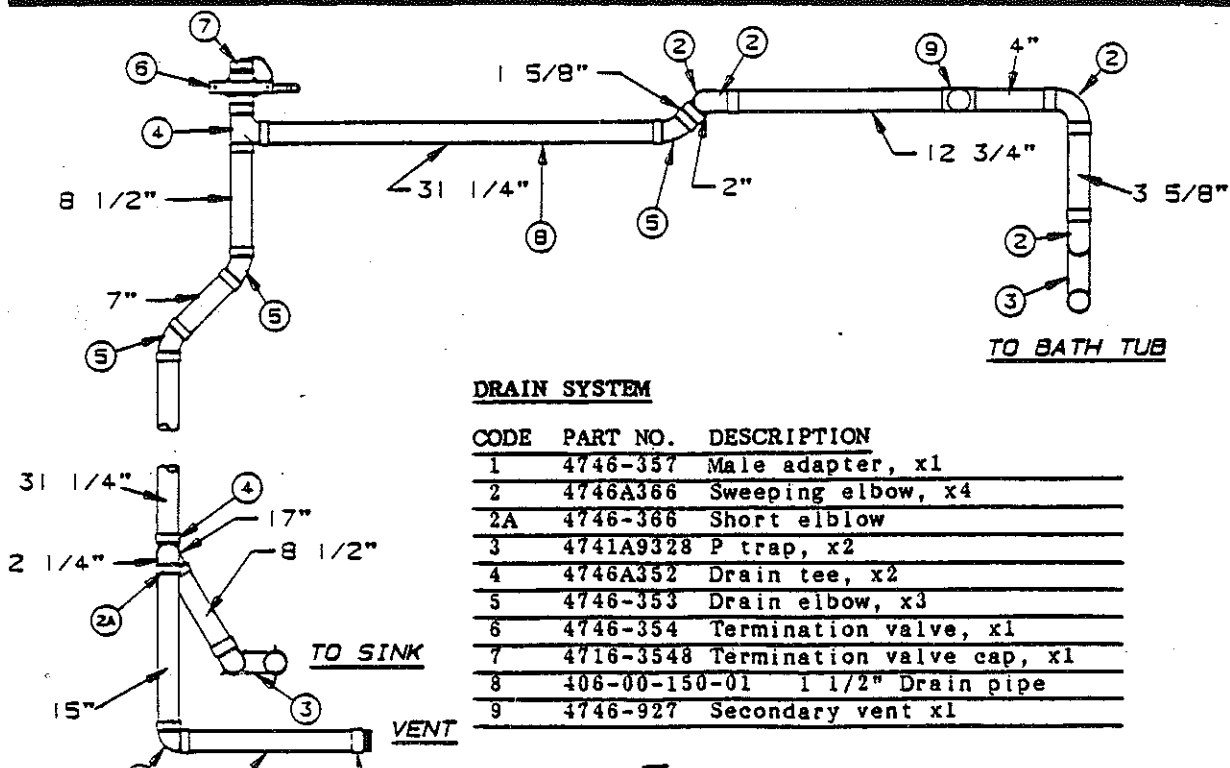
CAMPING TRAILERS

ROADSIDE

PLANTATION FLOOR PLAN



CURBSIDE



DRAIN SYSTEM

CODE	PART NO.	DESCRIPTION
1	4746-357	Male adapter, x1
2	4746A366	Sweeping elbow, x4
2A	4746-366	Short elbow
3	4741A9328	P trap, x2
4	4746A352	Drain tee, x2
5	4746-353	Drain elbow, x3
6	4746-354	Termination valve, x1
7	4716-3548	Termination valve cap, x1
8	406-00-150-01	1 1/2" Drain pipe
9	4746-927	Secondary vent x1



CAMPING TRAILERS

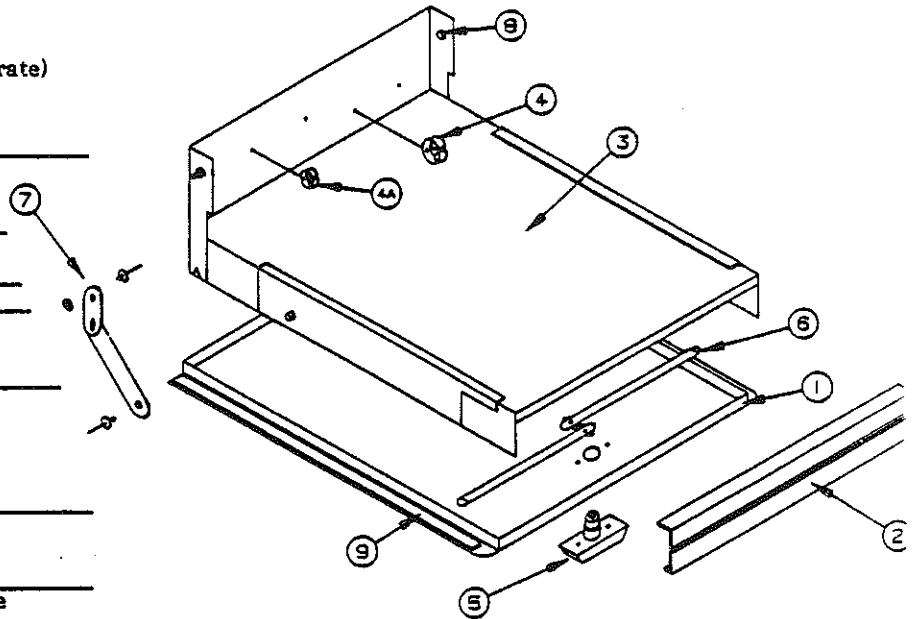
1989 PLANTATION PARTS LIST

ACCESS DOOR ASSY, MITER COVER, & LIFT TRIM

ACCESS DOOR ASSEMBLY

4745C5161 Access door assembly, 2399
(less tape & decals, must order separate)

CODE	PART NO.	DESCRIPTION
1	4745B0521	Access door skin
	*4734B1861	Rivet, M25
	*4716A513	Trim tape (3' required)
2	4731H2331	Access door cap
	*4734B1861	Rivet, M25
3	4745B0831	Step door covering
4	4734-2431	Snap clip right, M4 x2
4A	4720A0771	Snap clip left, M4 x2
	*4733-4118	Tek screw
5	4730B3111	Lock handle (less keys)
	*4716-056	Screw, #10 x 7/8"
	*1201B6958	Keps nut, #10
	*4730G3188	Open decal
	*4730A3211	Access door key, M10
6	4741-6551	Lock bar assy
	*4741-1438	Reinforcement plate
	*1202B8528	Lock washer
7	4744-6981	Swing arm assy complete
	*1203C8721	Rivet, M25
	*1202B0468	Washer
Note: Rivet and washer included in swing arm package.		
8	1006B2428	Bolt, 3/8 - 16 x 1 1/4
	1202B0468	Washer
	1201B5188	Nut, 3/8 - 16
9	406-00-250-06,	1/8 x 1/2" adhesive-backed foam tape



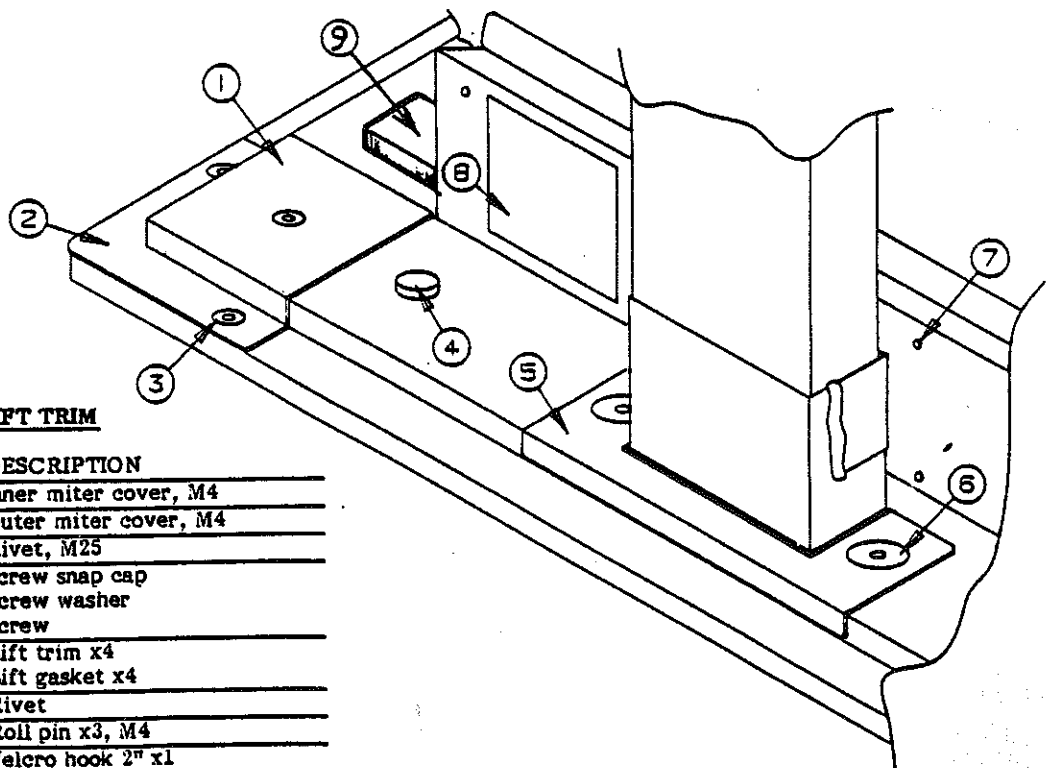
4737B2838 White caulking
661-00-072-21 Floor covering

STEP DOOR LIGHT

4739A5731 Light assy complete

MITER COVERS AND LIFT TRIM

CODE	PART NO.	DESCRIPTION
1	4737A9111	Inner miter cover, M4
2	4737B9101	Outer miter cover, M4
3	4733C0601	Rivet, M25
4	4739A2908	Screw snap cap
	*4739-2918	Screw washer
	*4741-9108	Screw
5	4734C4111	Lift trim x4
	*4744-958	Lift gasket x4
6	4744A330	Rivet
7	4710-3621	Roll pin x3, M4
8	4724D2631	Velcro hook 2" x1
9	4747-2171	Bug patch (Rurvy tape)



BED, MATTRESS, & TENT SUPPORT ASSY

1989
PLANTATION
PARTS LIST

Coleman® 
CAMPING TRAILERS

BED ASSEMBLIES AND COMPONENT PARTS

- *4745B520 Rear bed
- *4745B590 Front bed

CODE	PART NO.	DESCRIPTION
1	4745A2151	Upper tent bow
2	4745A0501	Lower tent bow support x2
	*4733-4118	Tak screw, lower to upper x2
3	4720F5631	Bed bow bracket x2
	*1014B1006	Screw, bow bracket to lower support
	*4734B1861	Rivet M25 x4

MATTRESS ASSEMBLIES

- 4745B6591 Front/Rear mattress assy.
- 4716B6591 Front/Rear mattress cover

Fabric Keno Mist
841-54-004-34
54" wide

BED EXTENSION HARDWARE

CODE	PART NO.	DESCRIPTION
4	4745A6291	Bed extension, all except right rear
	4746-5131	Bed extension, right rear (over access dr)
5	4720B0831	Large plastic wheel
	*4731A1288	Flathead rivet, wheel to extension
6	4720B5621	Roller assy
	*4731A1308	Rivet, small plastic wheel to roller support

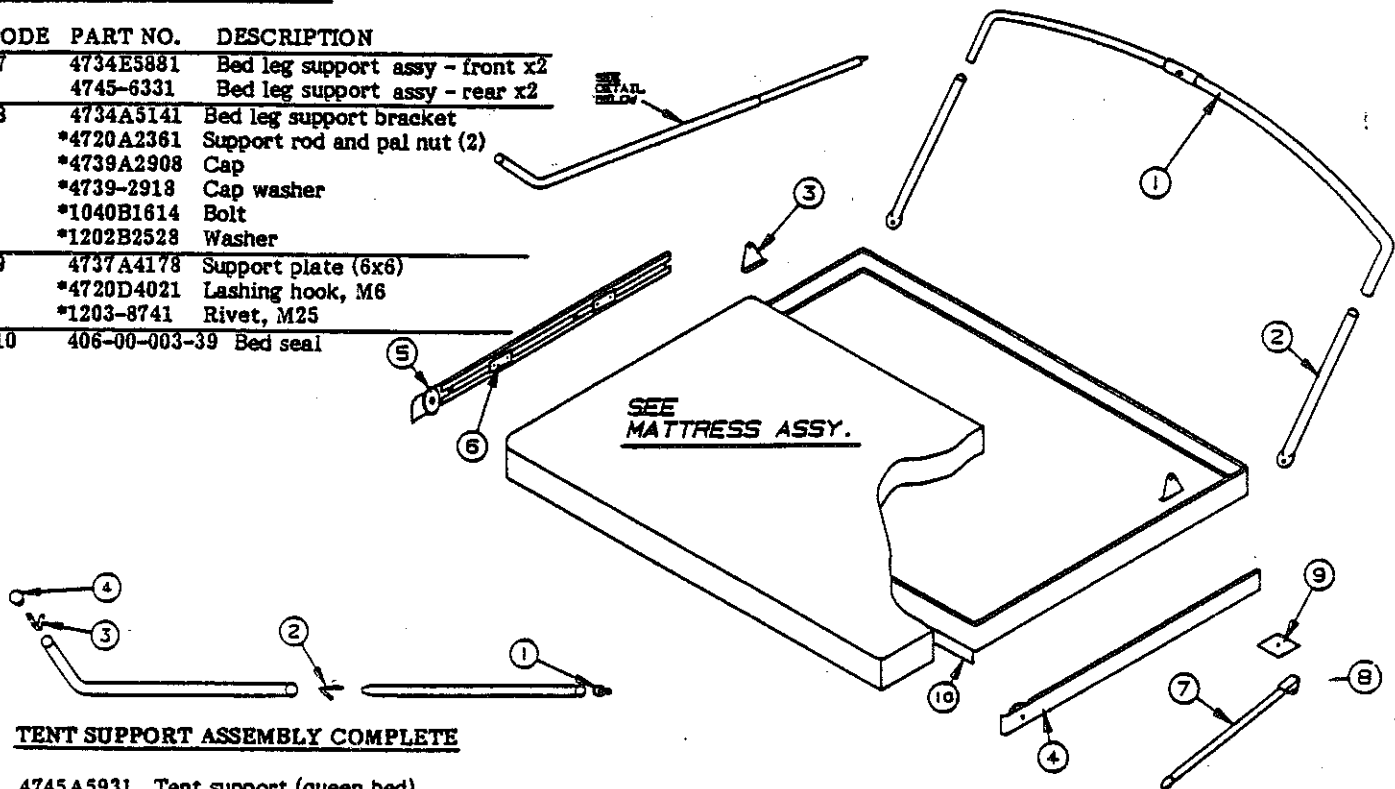
Mattress Reference Dimensions

74 1/2 x 67 1/2 x 3 3/4"

*Note: Bed assemblies are a special order and are shipped complete less mattresses.

BED LEG SUPPORT ASSEMBLY

CODE	PART NO.	DESCRIPTION
7	4734E5881	Bed leg support assy - front x2
	4745-6331	Bed leg support assy - rear x2
8	4734A5141	Bed leg support bracket
	*4720A2361	Support rod and pal nut (2)
	*4739A2908	Cap
	*4739-2918	Cap washer
	*1040B1614	Bolt
	*1202B2528	Washer
9	4737A4178	Support plate (6x6)
	*4720D4021	Lashing hook, M6
	*1203-8741	Rivet, M25
10	406-00-003-39	Bed seal



TENT SUPPORT ASSEMBLY COMPLETE

4745A5931 Tent support (queen bed)

CODE	PART NO.	DESCRIPTION
1	8470-1728	Pole pin blue
2	4734-6708	Spring assy
3	4734A6708	Spring assy
4	4730B4648	Tube closure

Note: Inner and outer pole assemblies not sold separately.

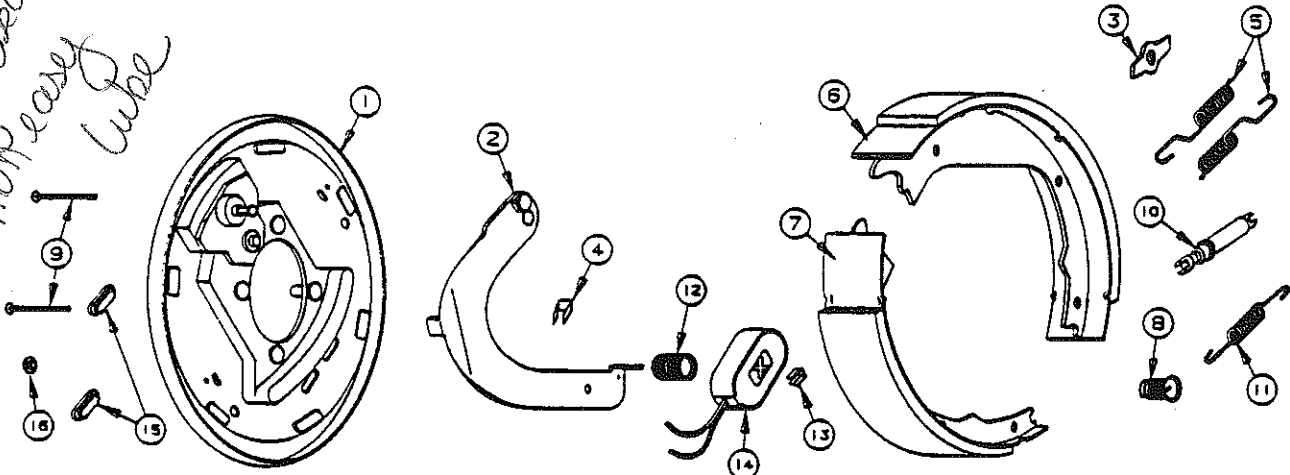


CAMPING TRAILERS

1989 PLANTATION PARTS LIST

ELECTRIC BRAKES, AXLE ASSY

*Easy lubed
a non easy tube*



ELECTRIC BRAKE COMPONENTS - 10 X 2 1/4" FOR TORFLEX AXLE

Item	Coleman Part Number	Dexter Part Number	Qty./ Brake	Description
	4716-0201	23-26		L.H. complete brake assy
	4716-0211	23-27		R.H. complete brake assy
1	Note	36-19-10	1	Backing plate assy
2	4716-0221	47-19	1	L.H. actuating lever arm and
		47-20	1	R.H. actuating lever arm
3	Note	5-67	1	Washer
4	Note	27-18	2	Wire clip
5	4716-0231	46-9	2	Retractor spring, M2
6	4716-0241	71-47	1	Shoe and lining kit
7	Included in with item 6			(includes 1 primary, 1 secondary, springs and pins)
8	4716-0251	46-77	2	Shoe holddown spring, M2
9	4716-0261	49-2	2	Holddown pin
10	4716-0271	43-4	1	Adjusting screw
11	4716-0281	46-18	1	Adjusting screw spring
12	4716A0291	46-80	1	Magnet spring
13	4716-0301	27-9	1	Magnet retainer clip
14	4716A0311	71-104	1	Magnet kit (includes 1 magnet, clip, and spring)
15	4716-0321	46-7	2	Plug, M2
16	Note	46-16	1	Wire grommet

NOTE: Order through Dexter
Must use Dexter part numbers when ordering.
Phone Number 219/295-1900

AXLE

4745A1708 Axle assembly complete
2,500 lb. capacity with 10" electric brakes

L200L5508 Lug bolt M4
1/2 - 20 on 4 1/2" B.C. (x5)

Axle Mounting Hardware Package

4716-0171 Axle mounting hardware package consisting of:
4 - Bolts, 5/8 - 18 NF x 1 1/4, Grade 5
4 - Nuts, 5/8 - 18 NF
4 - Lock washers, split 5/8

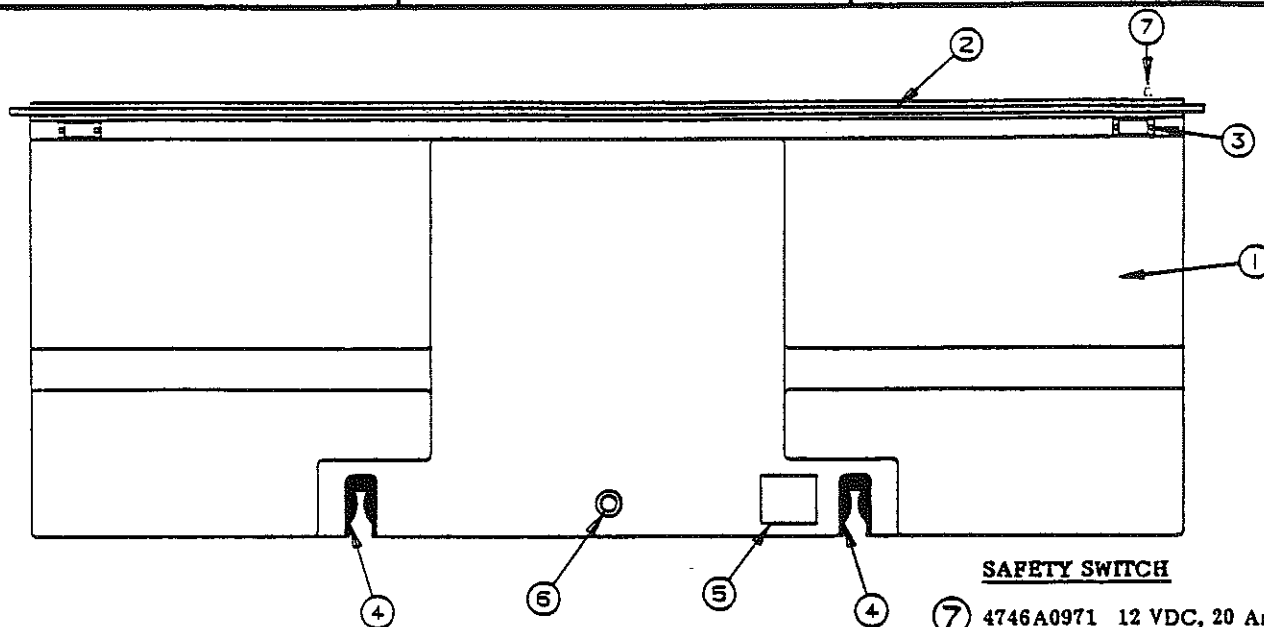
Axle Beam not sold separately

*Dexters
PT# 5-23
WASHER FOR
BEARING*

FRONT BODY PANEL
ASSY
EVOLUTION TENT

1989
PLANTATION
PARTS LIST

Coleman® 
CAMPING TRAILERS

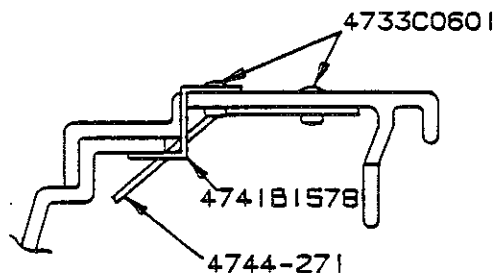


SAFETY SWITCH

- ⑦ 4746A0971 12 VDC, 20 Amp
Push-button switch
(normally closed)
Front body rail

FRONT BODY PANEL ASSEMBLY COMPONENTS

CODE	PART NO.	DESCRIPTION
1	4745B0601	Front panel (less tape and decals must order separate)
	*4716A513	Trim tape (9' required)
	4741B1578	Clip
2	4745A042	Body rail
	4744-271	Bracket
	4733C0601	Rivet, M25
3	4745-3101	Amber clearance light assy
	*4716-3101	Amber lens
	*4741B9658	Expansion rivet
	*4734-2388	Wire connector
4	4737A4458	Gasket
5	4730H2138	Gas supply LD. plate
6	4741A543	Bushing



NOTE: All panels are shipped less trim tape and decals.
Must order separately.

EVOL TENT SECTION

Front bed	4745B6811
Rear bed	4745B6811
Large window	4745B6801
Small window	4745B6831
Door seal	4745B6791

406-00-000-24	Arrowhead seal
4714B6021	Shock cord 14', M2
4724-2011	Shock cord clamp, M10
406-00-000-55	5/16" O.D. vinyl tube

1225U3638	Slide Side Zipper
1225U3648	Pin Side Zipper

406-00-012-01	36" 12 MIL clear vinyl
811-54-001-16	Evol III 7 oz. 54"
811-80-014-22	Top Vinyl-Off White 80"
811-80-014-26	Top Vinyl-Evol, Grey 80"

**1989 PLANTATION PRODUCED IN MARCH,
SN 1126 - 1210 ONLY (MUST ORDER THE FOLLOWING)
Evolution Tent - New Style Zipper**

Front bed	4716B6811
Rear bed	4716B6811
Large window	4716B6801
Small window	4716B6831

4745-5961	Tent extension wire harness curbside, rear
4743-1588	K Kote seam sealer
4714D1611	54" x 3 yds Screen package
4714-0361	54" x 13 yds Screen package

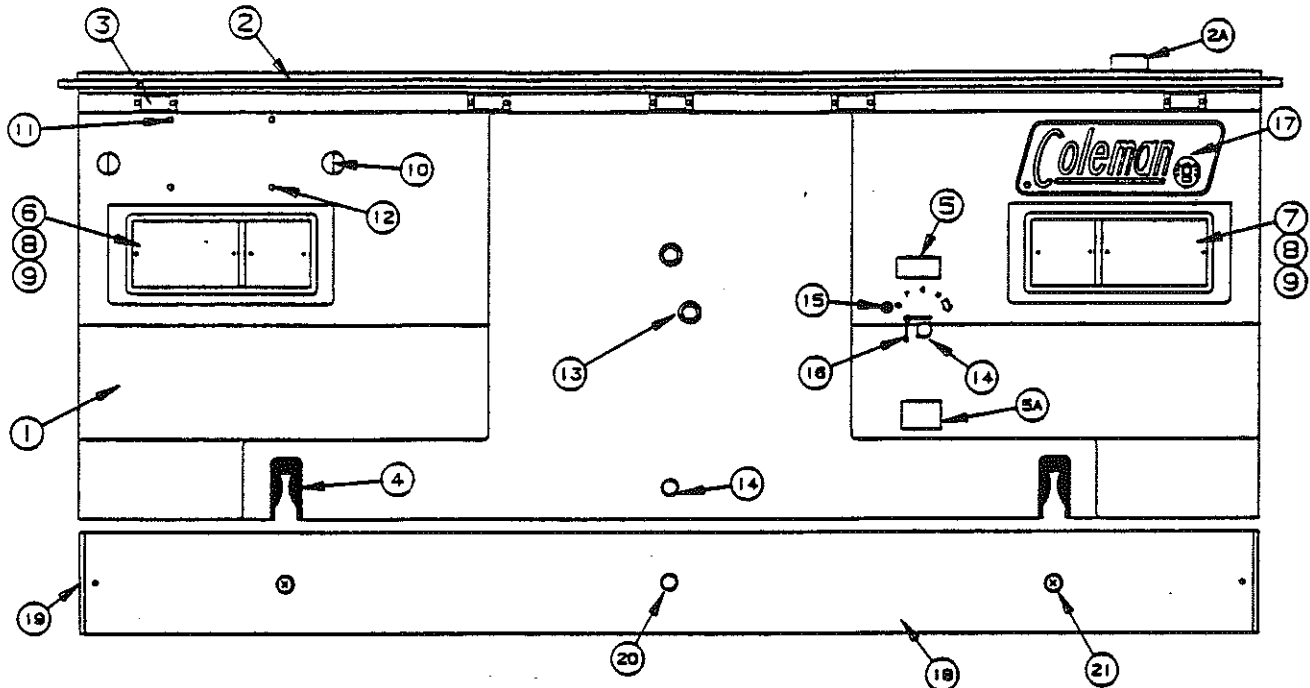
1225G3698	Slide Side Zipper
-----------	-------------------



CAMPING TRAILERS

1989
PLANTATION
PARTS LIST

REAR BODY
PANEL ASSY



REAR BODY PANEL ASSEMBLY COMPONENTS

CODE	PART NO.	DESCRIPTION
1	4745C0611	Rear panel (less tape and decal must order separate)
	*4716A513	Trim tape (6' required)
	4741B1578	Clip
	4733C0601	Rivet, M25
2	4746A079	Body rail
	4744-271	Bracket
	4733C0601	Rivet, M25
2A	4734C1538	Bed stop
	*4741B9368	Screw x2
3	4745-3111	Red clearance light assy
	*4716-3111	Red lens
	*4741B9658	Rivet
	*4734-2388	Wire connector
4	4737A4458	Gasket
5	4737C3638	Caution decal
	*4739B1178	Switching decal
5A	4730G3188	Open decal
6	4734C3911	Taillight assy R/S <i>NLA</i>
7	4734C3921	Taillight assy C/S <i>NLA</i>
8	4739-4321	Red lens
9	4739-4331	Clear lens
	*4741B9658	Rivet
	*4739-4348	Screw

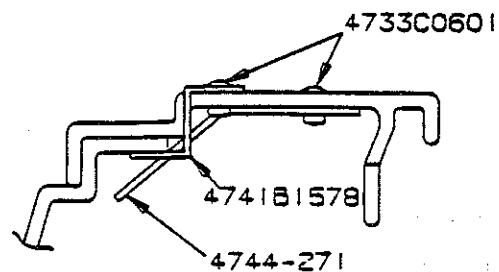
CODE	PART NO.	DESCRIPTION
10	4739B4311	Taglight
11	4732-1181	Plastic grommet, M4
	*1121C1618	Screw
12	4737-0728	Rubber bumper
13	4744-8598	Hole plug
14	4744-3118	Grommet
15	4724-2608	Stop button
	*4716-077	#10 x 3/4" Screw
16	4746-1171	Butterfly key
	*4737-4698	Cap x2
17	4741E2868	Coleman logo
18	4745A8161	Bumper channel
19	4745-3701	Bumper cap M2
20	4734-4358	1 1/2" Snap bushing
21	1032B2416	Bolt
	*1202B0468	Washer
	*1202B1068	Washer

NOTE: All panels are shipped less trim tape and decals. Must order separately.

PANELING AND TRIM

4745A4421	Luan paneling - classic oak (25 3/16 x 48")
1745A4211	Panel divider M5 (24 3/4")
1745A4221	Corner divider M3 (24 3/4")
4745A9321	Toe molding M3 (35 7/8")
4745A2211	Outside corner molding M2 (34 1/4")
4745A8601	Inside corner molding M4 (23 1/4")

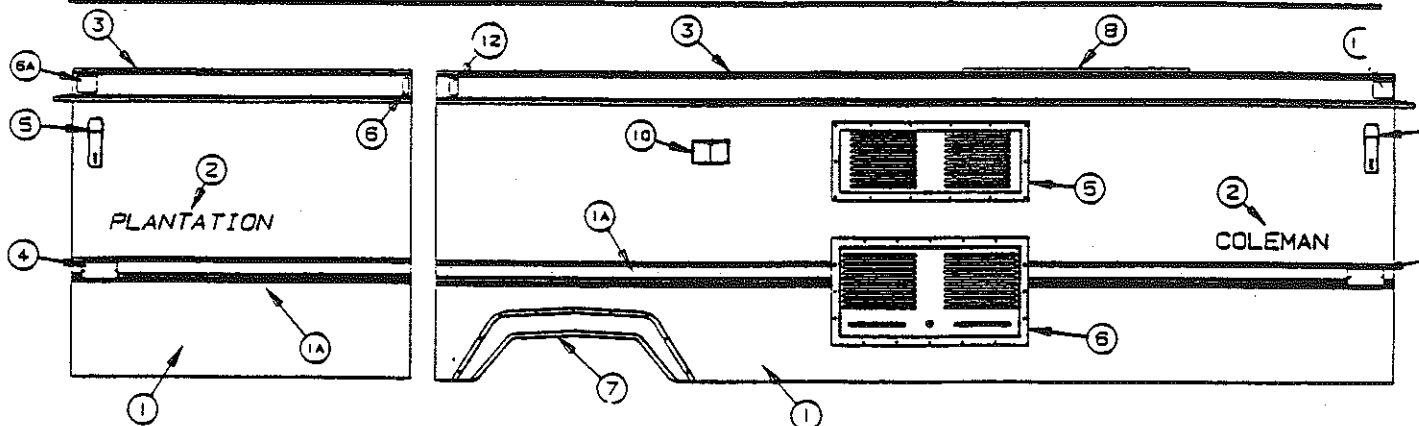
STEP DOWN LIGHT



RT. FRONT & REAR
BODY PANEL ASSY
DRAPES & CURTAINS

1989
PLANTATION
PARTS LIST

Coleman
CAMPING TRAILERS



RIGHT REAR BODY PANEL ASSEMBLY COMPONENTS

CODE	PART NO.	DESCRIPTION
1	4745B0561	Right rear panel (less tape and decals must order separate)
1A	4716A513 *4746-3958	Trim tape (4' required) Body panel flange clips
2	4745A1998	Plantation logo
3	4745A044 *4745-1861	Body rail Rivet, M25
4	4714E0851 *4733G1311 *4714-3701 *1103E1018 *4734-2388	Red lens and base Socket and harness Bulb, M4 Screw Wire connector
5	4715E5051 *4741-8218	Top latch w/lock Screw x2
6	4723-8071	Velcro hook, 3/4" x1
6A	4724D2631	Velcro hook, 2" x1

Note: All panels are shipped less trim tape and decals.
Must order separately. **TOUCH-UP PAINT** - 16 oz spray

0008A2441 Colonial White

DRAPES AND CURTAINS

4745B6621	Drape package	5 Panels Note: Valance not included in drape package
4716B6621	Drape tie package (5 in a package)	
4745A6871	Valance	3 Valances/Set
Essex "Delft" Fabric 811-54-004-07	Single Drape Panel with tie	4716-0451
4745-4561	Curtain glide package, M20	
4745-4571	End cap package, M8	
4724A7111	Shower Curtain	

FABRIC

Expo "Ambrosia"

4746A413 Wood stop rest, x2
only on wardrobe cushion assy

Dinette Cushion

4710-2681 Stop button, M5
1034B0828 Screw

RIGHT FRONT BODY PANEL ASSEMBLY COMPONENTS

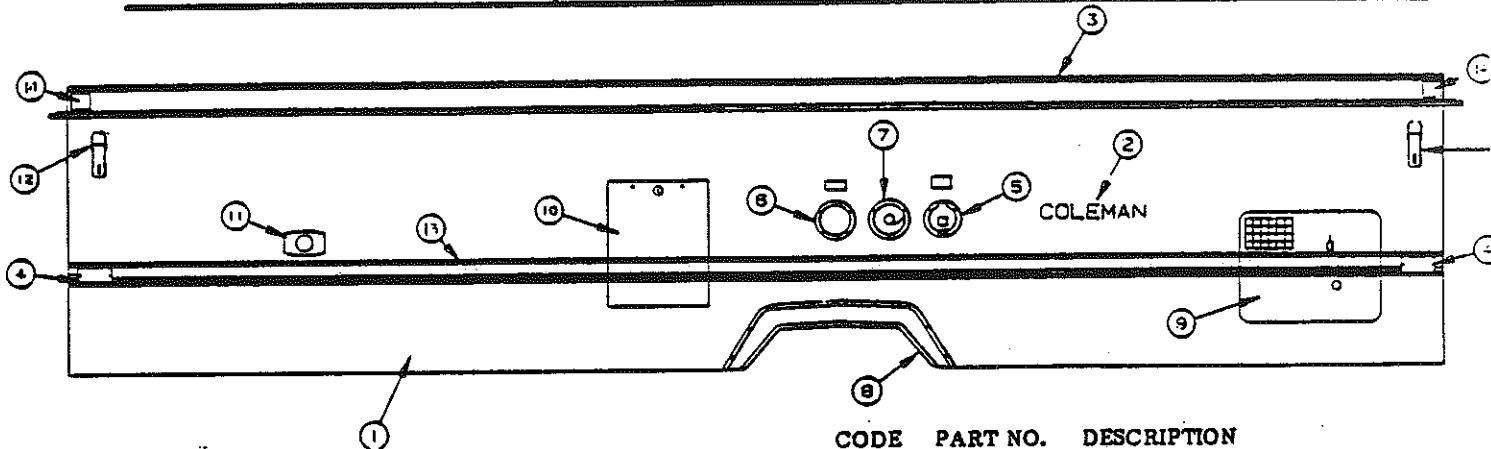
CODE	PART NO.	DESCRIPTION
1	4745B0571	Right front panel (less tape and decals must order separate)
1A	*4716A513 *4746-3958	Trim tape (9' required) Body panel flange clips
2	4745A1908	Coleman logo
3	4745A045 *4734B1861 4710-3621	Body rail Rivet, M25 Roll pin, M10
4	4714E0841 *4733G1311 *4714-3701 *1103E1018 *4734-2388	Amber lens and base Socket and harness Bulb M4 Screw Wire connector
5	4747-8321	Refrigerator vent, upper
6	4747-8331 *435-00-000-93 *4746-418	Refrigerator vent, lower Double stick foam tape Rivet
7	4745A1551 *4741B9368	Wheel well trim Screw x11
8	4737A221 *4741-9861	Curtain track Rivet, M25
9	4741B6041 *4741-8218	Top latch w/o lock Screw x2
10	4746-3861	Duplex cover
11	4724D2631	Velcro hook, 2" x1
12	4723-8071	Velcro hook, 3/4" x1

NOTE: All panels are shipped less trim tape and decals.
Must order separately.

CUSHION AND BACKREST

REFERENCE DIMENSIONS

4745A6861	Dinette cushion assy, front	35 3/4 x 17 5/8 x 3 5/8"
4716-6861	Dinette cushion cover	
4745B6541	Dinette cushion assy, rear	35 3/4 x 21 3/8 x 3 5/8"
4716-6541	Dinette cushion cover	
4745B6551	Dinette backrest assy x2 (NOTE)Cover not available	34 3/4 x 15 x 3 3/8"
4745D6561	Wardrobe cushion assy	39 X 21 3/8 x 3 3/8"
4716-6561	Wardrobe cushion cover	
4745B6571	Wardrobe backrest (NOTE)Cover not available	39 1/4 x 15 x 3 3/8"



LEFT BODY PANEL ASSEMBLY COMPONENTS

CODE	PART NO.	DESCRIPTION
1	4745B8351	Left panel (less tape and decals must order separate)
	*4746-3958	Body panel flange clips
2	4745A1908	Coleman logo
3	4745A043	Body rail
	*4734B1861	Rivet, M25
	*4710-3621	Roll pin, x6 M10
4	4714E0841	Amber lens and base
	4714E0851	Red lens and base
	*4733G1311	Socket and harness
	*4714-3701	Bulb, M4
	*1103E1018	Screw
	*4734-2388	Wire connector
5	4733-2331	Cable hatch
	*4745-994	30AMP Decal
	*4741-3508	Screw x3

CODE	PART NO.	DESCRIPTION
6	4731C1711	Fill spout
	*4735C0988	Water decal
	*4741-3508	Screw x5
7	4732D1521	City fill
	*4741-3508	Screw x3
8	4745A1551	Wheel well trim
	*4741B9368	Screw x11
9	4714G3391	Water heater door complete assy
10	4746-6321	Hatch door complete assy
11	4746-3561	Hydro flame vent
	*4716-064	Screw x2
12	4741B6041	Top latch
	*4741-8218	Screw x2
13	4716A513	Trim tape (13' required)
14	4724D2631	Velcro hook 2"

NOTE: All panels are shipped less trim tape and decals.
Must order separately.

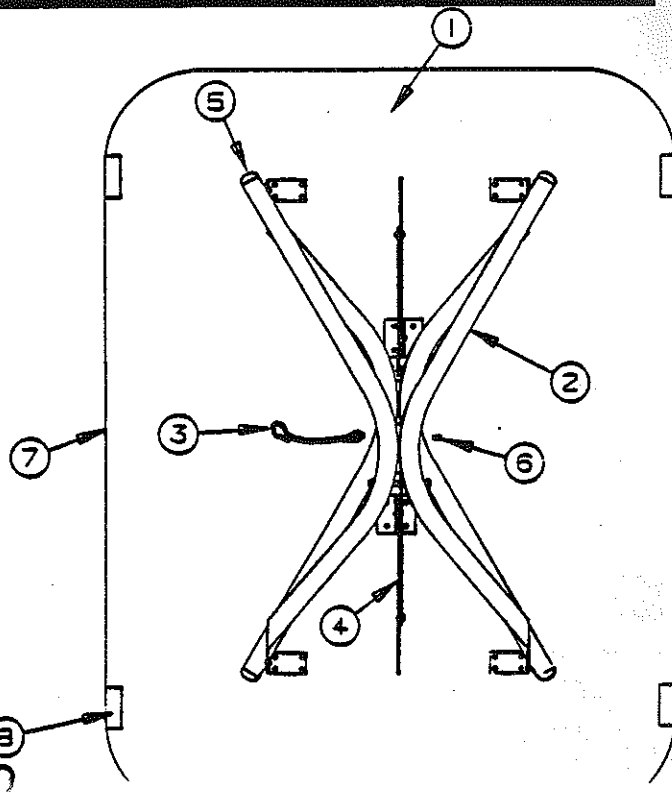
DINETTE TABLE ASSEMBLY

CODE	PART NUMBER	DESCRIPTION
1	4716A8591	Dinette table top
2	4745-5271	Dinette table leg assembly (includes hardware to install legs, M2)
3	4720B5951	Table strap assembly, M4 8" length
4	4744-6971	Lock brace package
	*4737-8488	Screw, brace-to-top
5	4720C3928	Table leg cap
6	4720D4021	Lashing hook, M6
7	406-00-000-78	3/4" T molding
8	4724D2631-	Velcro hook
	4724E263	Velcro loop (located on the seat frame assy)

Table Top Dimensions

4716A8591 26 3/4 x 36"

5/8" particle board - MCLA Face



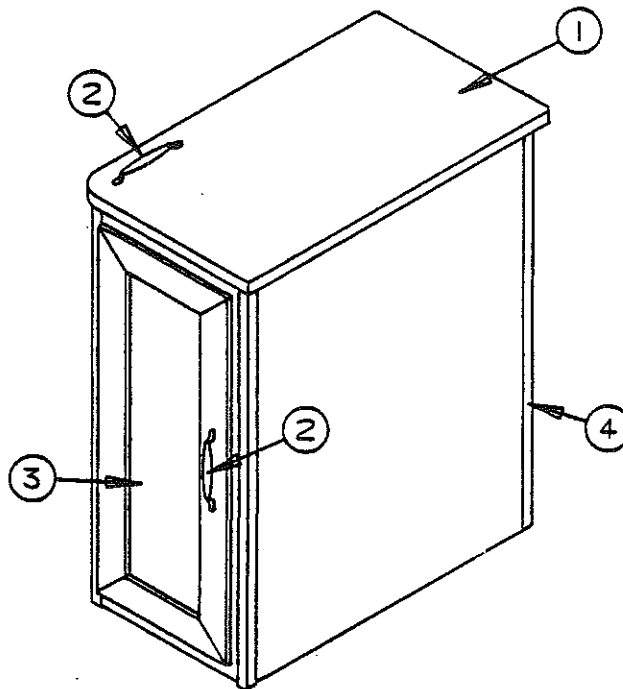
**WARDROBE CABINET
ASSY
POP RIVETS**

**1989
PLANTATION
PARTS LIST**

Coleman® 
CAMPING TRAILERS

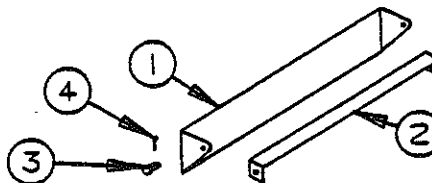
WARDROBE CABINET ASSEMBLY -2399
4745D5251 Wardrobe cabinet complete assembly

CODE	PART NO.	DESCRIPTION
1	4745B1931	Cabinet top
	*406-00-000-78	T Molding 3/4"
2	4745-2601	Handle
	*4716-055	#8 x 7/8 Screw
3	4745B5111	Door assy
	4745-2601	Handle
	4745A261	Hinge x2
	*4738-3088	Screw
4	4745A2211	Outside corner M2 x4
5	*4745-1851	Wardrobe hanger (inside cabinet)
	*4716-076	#8 x 1/2 Screw
6	*4745A412	Wardrobe cushion stop x2



WARDROBE HINGE ASSEMBLY

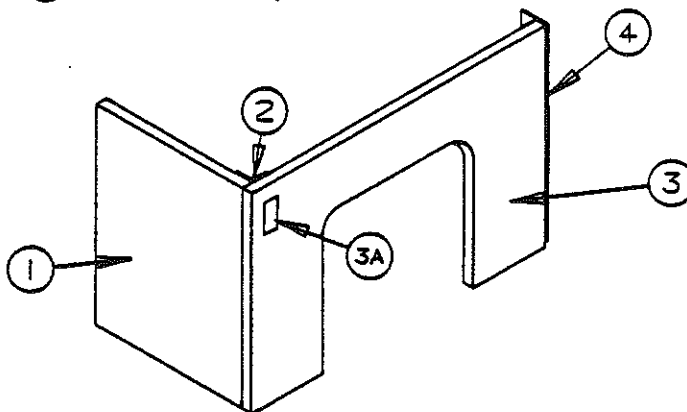
CODE	PART NO.	DESCRIPTION
1	4745-414	Wall bracket
	*4716-064	#10 x 3/4" Screw x3
2	4745A415	Cabinet bracket
	*4716-065	#10 x 1" Screw x4
3	4720C1578	Short pin
4	1204B1081	Cotter pin, M10



WARDROBE CABINET ASSEMBLY - LOWER

4745A5261 Wardrobe cabinet complete assembly lower

CODE	PART NO.	DESCRIPTION
1	4745A4121	Cabinet front
2	4745-4091	Hinge
3	4745A4111	Cabinet side
3A	4723-835	Velcro loop
4	4745-4101	Hinge
5	*4716-076	Screw, x11 (hinges to cabinet)



POP RIVETS (Equivalent may be purchased locally from hardware store.)

Rivet No.	Pkgd	"B" Dia	"C" Dia	"L" Length	Color	Typical Use
4741-9861	M25	5/32	1/4	3/8	Beige	Curtain track
4733C0601	M25	5/32	1/4	3/8	Col W	Screen door assy
1203-8641	M50	3/16	3/8	1/2	Alum.	Lift assy
1203-8741	M25	3/16	3/8	3/4	Alum.	Lashing hooks, clearance lights
1203-8831	M25	3/16	5/8	5/8	Alum.	Bed assy
1203C8721	M25	3/16	5/8	11/16	Steel	Swing arm assy, crank support, bed assy
4734B1861	M25	3/15	3/8	1/2	Col W	Body rails, miter cvrs, acc door, bed assy, sc dr assy
4734-1861	M25	3/16	3/8	3/4	Brown	Overhead cabinet assy, access door assy



CAMPING TRAILERS

1989
PLANTATION
PARTS LIST

GALLEY CABINET
ASSY

GALLEY ASSEMBLY, 2399

CODE	PART NO.	DESCRIPTION
1	4745C8571	Cabinet top
2	4745-2801	Sink
3	4730D3151	Basket strainer
	*4741A9328	P-Trap
4	4737A9701	3 Burner Range & Oven
5	4745-3181	Stove cover
6	4745A6361	Drawer assy x2
7	4745D5731	Door assy
8	4745A6381	Drawer assy x2
9	4745A6391	Drawer assy
10	4745B6401	Door assy
11	4745C5761	Door assy
12	4733A4981	Light switch
13	4745B855	Cabinet front, large
14	4745B8561	Cabinet front, small
15	4745-171	Refrigerator
16	4745A2741	Faucet
17	4746-1531	Stove latch bracket
	*1103E1018	Screw x2
	*4734-6708	Spring clip assy

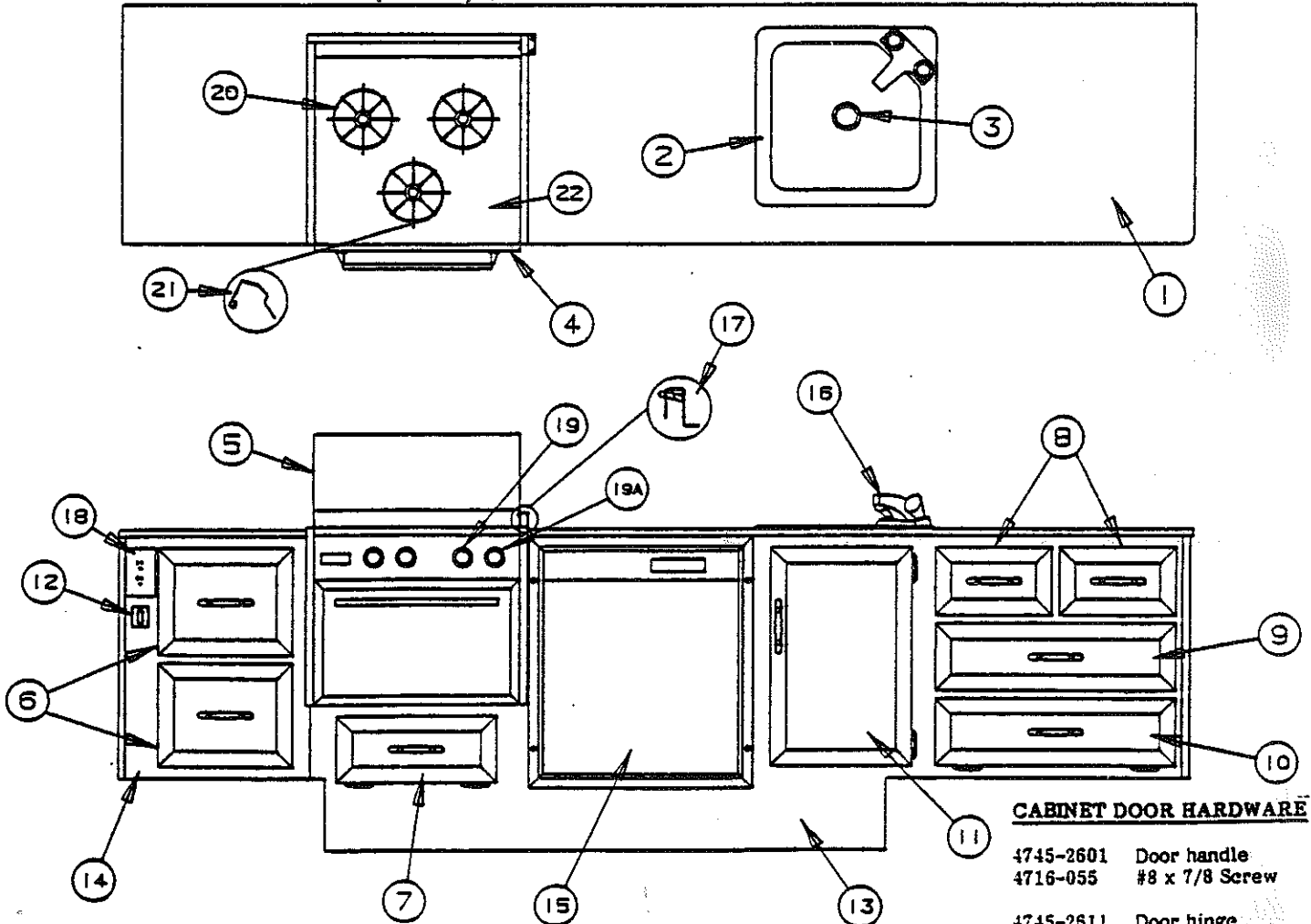
CODE	PART NO.	DESCRIPTION
18	4710B3551	Recepticle x2
19	4716-9731	On/Off knob x3
19A	4716-9741	Thermostat knob x1
20	4716-9711	Grate x3
21	4716-9721	Grate clip pkg M8
22	4716-9701	3-burner range top
23	*406-00-250-04	Welding
24	*406-00-000-78	T Molding

Note: Above parts may be ordered through Coleman or directly from Elixir Industries. Refer to range owner's manual for parts descriptions for others and order from:

Elixir Industries
Customer Service
640 Collins Road
Elkhart, Indiana 46516
219/294-5685

4746-1531 Range cover bracket package
(includes spring clip and screws)

FLOOR STRIP Light 4746-3631 VERSA LITE



CABINET DOOR HARDWARE

4745-2601	Door handle
4716-055	#8 x 7/8 Screw
4745-2611	Door hinge
4738-3089	Screw

SCREEN DOOR ASSY SHOWER CABINET ASSY

1989
PLANTATION
PARTS LIST

Coleman 
CAMPING TRAILERS

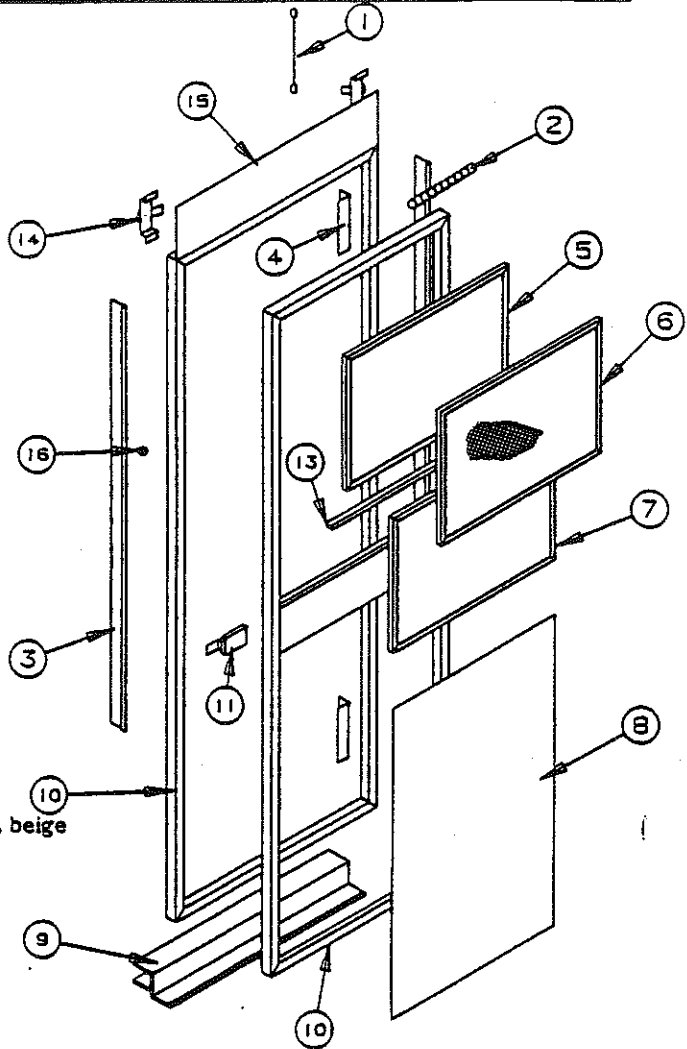
SCREEN DOOR AND JAMB ASSEMBLY

Note: Door and jamb not available separately.

4745B5101 Screen door and jamb assy

CODE	PART NO.	DESCRIPTION
1	4734B5211	Cable assy, M2
2	4731A8201	Screen door spring assy
3	4745A1271	Door seal, M2
4	4720F3601	Screen door hinge
	*4741B9861	Rivet, x3 M25
5	4710B3781	Sliding panel
6	4710B3381	Screen panel
7	4710A5041	Fixed panel
8	4741H0351	Kick plate
9	4741C8221	Screen door support
	*4716-069	Screw x4
	406-00-003-99	Seal
10	4745B5101	Door and jamb assy complete
11	4733C4791	Latch assy pkg
	*1202B0268	Washer x2
12	*4710C411	Strike (in 4733C4791 latch pkg)
	*4741A9861	Rivet, x2 M25
13	406-00-003-85	Weatherstrip, 18" length (snow white)
14	4741-8658	Sash lock
	*4734B1861	Rivet, M25
15	4741B8831	Top bracket
	*4734B1861	Rivet, M25
16	4730A3548	Stud x2

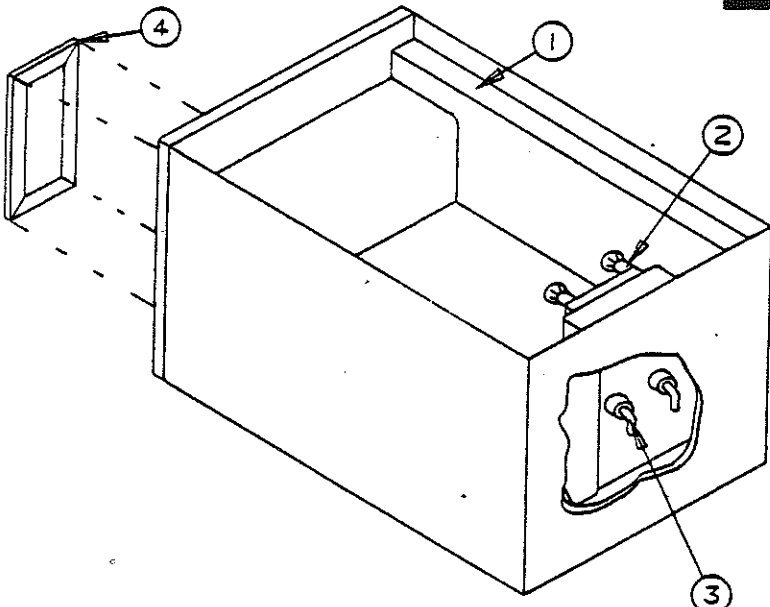
Note: 435-00-000-07, 3/4" wide pressure-sensitive velcro hook, beige on door jamb assy (sold per foot)



TUB PACKAGE

4745A5601 Tub package includes the following:

4737-9138	1 1/2" to 3/4" Drain adapter
4746-3761	Shower head with bracket
4746-3691	Telephone shower hose assy



SHOWER ASSEMBLY

4745A587 Shower cabinet complete assy

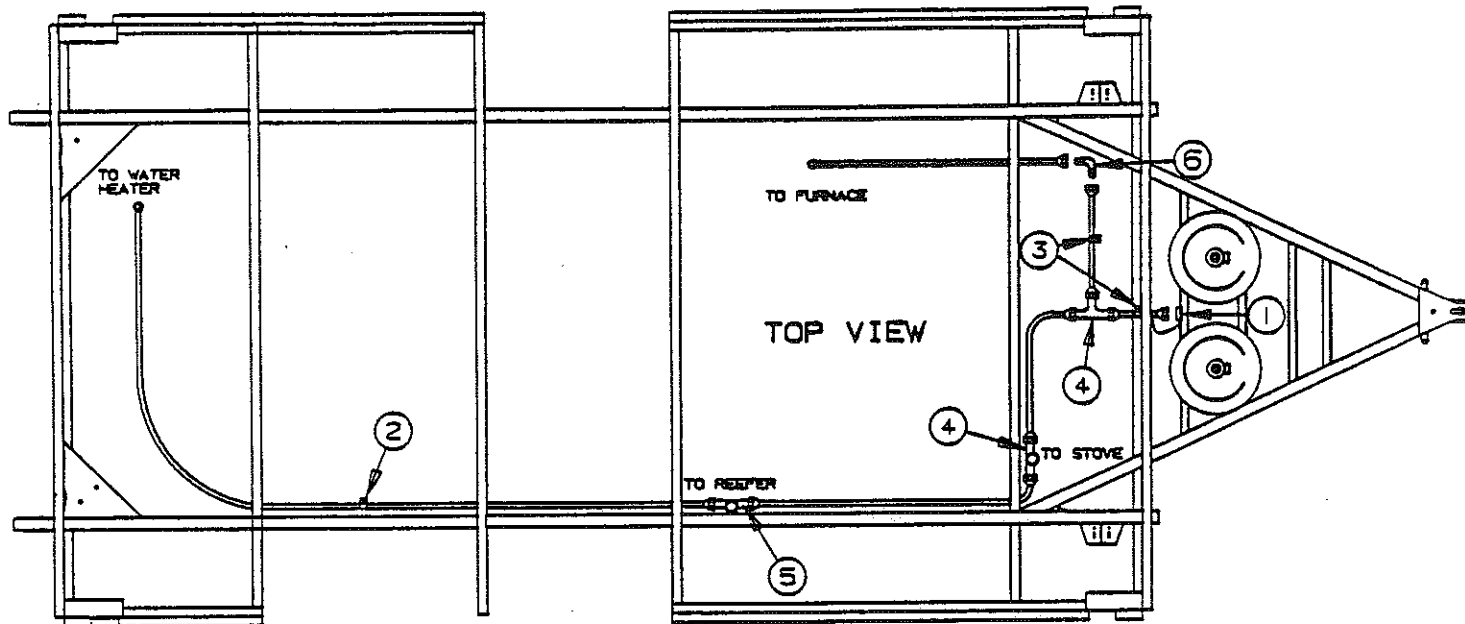
CODE	PART NO.	DESCRIPTION
1	4746-3601	Bathtub
	*4739-4608	Screw
	*4739A2908	Screw cap, white
	*4739-2918	Screw cap washer
2	4741A2071	Faucet assy
3	4741-9068	Swivel elbow x2
4	4745A648	Door assy
	*4738-3088	Screw x4
	*4745A261	Hinge
5	*4737-8328	Plastic nut
	*4746-500	Tub drain assy
6	*406-00-250-04	Welting 7 1/2 feet required
7	*4730D3151	Basket strainer



CAMPING TRAILERS

1989
PLANTATION
PARTS LIST

GAS LINE SYSTEM
GAS BOTTLE &
REGULATOR



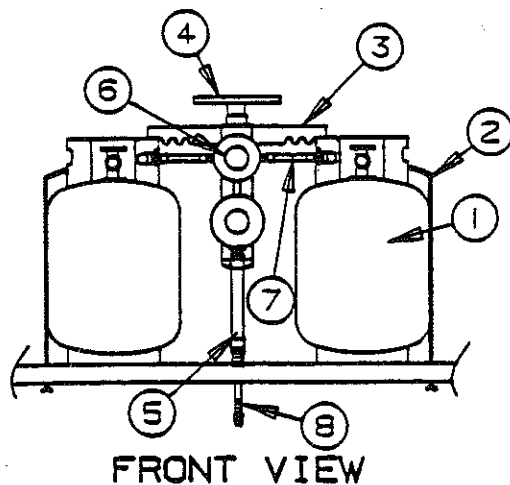
GAS LINE SYSTEM - 2399

CODE	PART NO.	DESCRIPTION
1	4737-8388	Plastic cap w/chain
2	4746-1318	1/2" tube clamp
	*4733-4118	Tek screw
3	1201-8738	1/2 Tube clamp, rubber-coated
	*4733-4118	Tek screw
4	1215-1798	Tee, 1/2 - 1/2 - 1/2 (used X2)
5	1215-1788	Tee, 1/2 - 3/8 - 3/8
6	1215-5168	Elbow

1215-2418	Flare nut for 3/8" copper line
1215-2438	Flare nut for 1/2" copper line
4745A630	3/8" O.D. copper line, 150" (includes 2 flare nuts)
4746-178	Floor bushing

GAS BOTTLE & REGULATOR - 2399

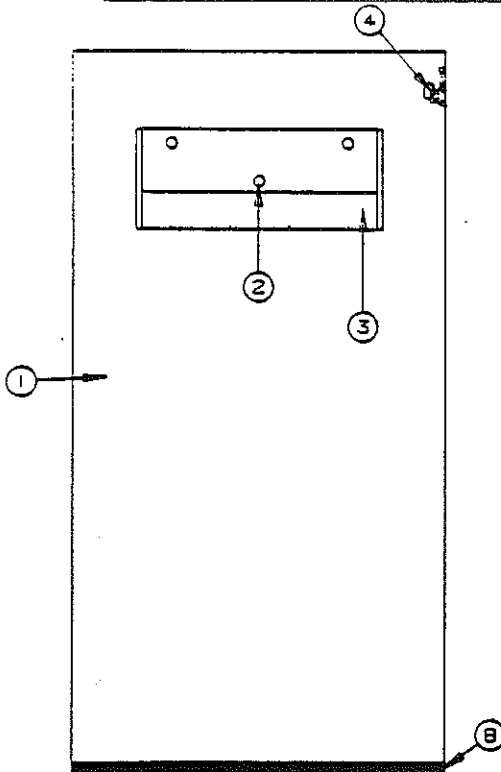
CODE	PART NO.	DESCRIPTION
1	4720H5928	Gas bottle x2 (Colonial White)
2	4733F6281	Gas bottle mounting pkg
3	4746-421	Tie down bracket
4	4746-4221	Wing nut
5	4746-4261	Pigtail gas hose
6	4746-4251	Regulator
	*4746-4231	Regulator cover
7	4746-4241	Gas hose x2
8	4746-420	Rod
	*4739-2298	Wiz locknut
	*4746-4196	Regulator bracket



BATH WALLS ASSY
DRAWER CABINET
ASSY

1989
PLANTATION
PARTS LIST

Coleman®
CAMPING TRAILERS

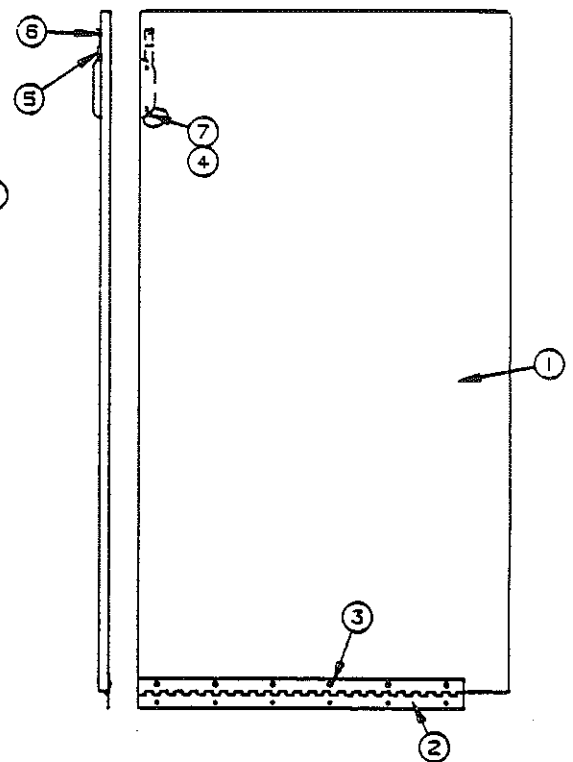


WALL PANEL ASSEMBLY, 2399

CODE	PART NO.	DESCRIPTION
1	4746C2921	Fold down wall
2	4739A2908	Screw cap
	*4739-2918	Screw washer
	*4741-9108	Screw
3	4745B6411	Magazine rack assembly
4	4746-3968	Reinforcement angle
	*4737-8478	Screw x2
5	4746-3658	Spacer
	*1114B0828	Screw
6	4746-1561	Wall latch
	*4716-068	Screw x2
7	4746-1571	Wall latch key
	*1103B0612	Screw x1
8	4746A328	Hinge x1

MAGAZINE RACK ASSEMBLY - 2399

4745B6411	Magazine rack assembly, complete
4746B289	Magazine rack back x1
4746B287	Magazine rack side x2
4746B288	Magazine rack bottom x1
4746B286	Magazine rack front x1
406-00-000-80	T Molding 5/8"

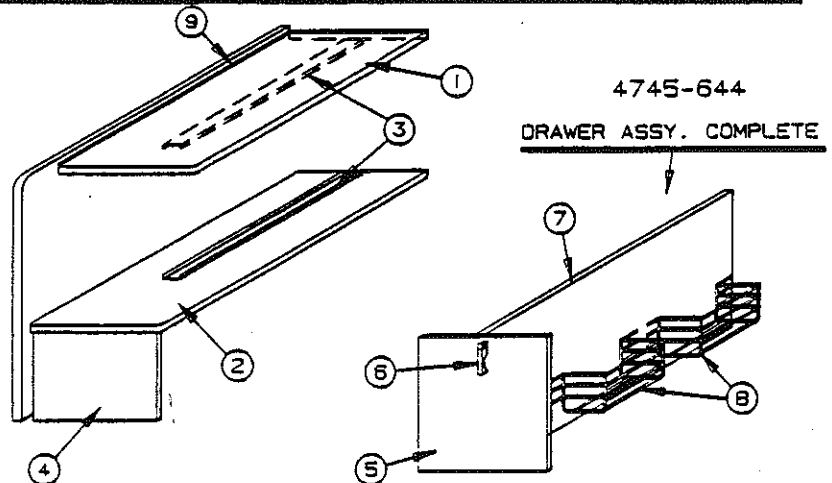


FOLD DOWN WALL ASSEMBLY, 2399
(Behind the bathtub assy)

CODE	PART NO.	DESCRIPTION
1	4746A3121	Fold down wall
2	4746-3291	Hinge
3	4737-8478	Screw
4	4746-1561	Wall latch
5	4746-1571	Wall latch key
6	1200B4458	Screw x1
7	4716-068	Screw x2
8	*406-00-000-78	T Molding 3/4"

DRAWER CABINET ASSEMBLY, 2399

CODE	PART NO.	DESCRIPTION
1	4746A3161	Cabinet top
2	4746A3141	Cabinet shelf
3	4746-317	Slide channel x2
4	4746A320	Kick board x2
5	4746A3181	Drawer front
6	4733B221	Latch
	*4746-417	Strike plate x2
	*4738-3088	Screw x2
	*4716-055	Screw
7	4746A319	Drawer center
8	4746-327	Maxi organizer, x4 (screws suppl.)
9	406-00-250-04	Welting
10	*4745-295	Bracket
	*4737-8488	Screws





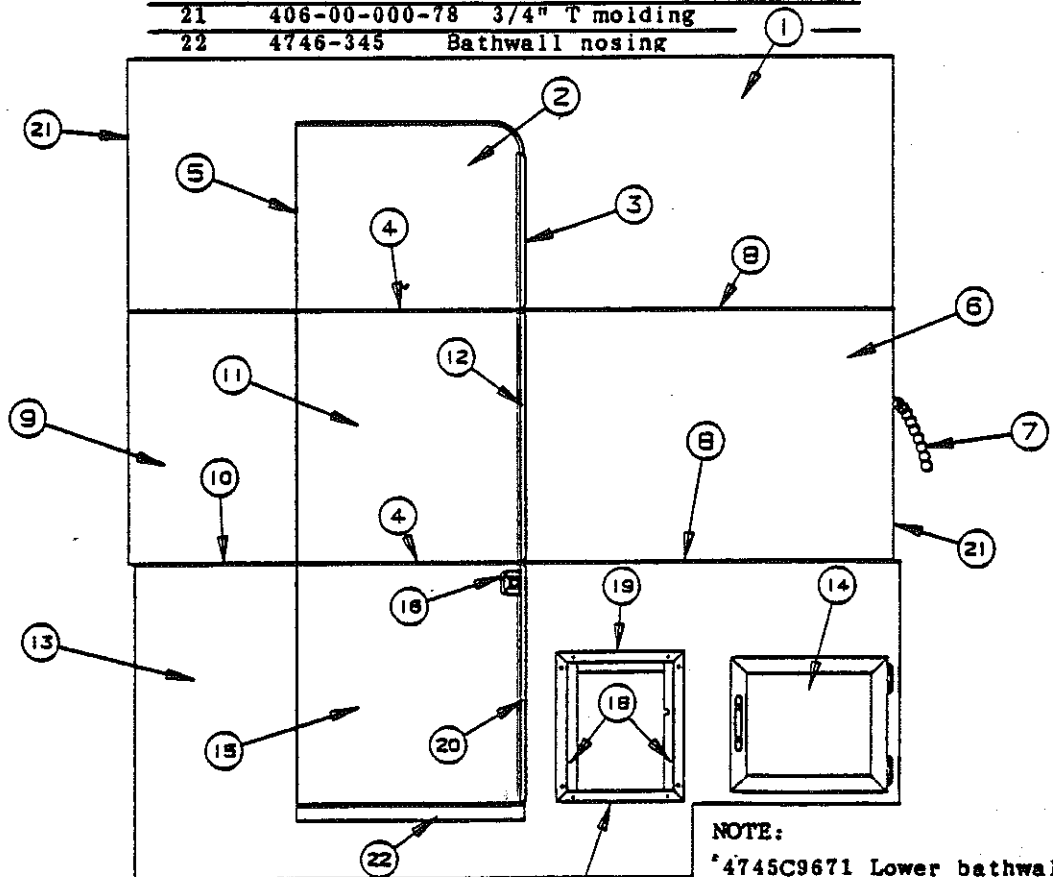
CAMPING TRAILERS

1989 PLANTATION PARTS LIST

BATHROOM WALL ASSY

BATHROOM WALL ASSEMBLY - FRONT - 2399

CODE	PART NO.	DESCRIPTION
1	4745D9701	Upper bathwall
	4745-2601	Handle (inside upper bathwall)
2	4745D9621	Door (top)
3	4745B3281	Upper door trim
4	4746A3071	Hinge, x2 - M2
5	4746A3051	Hinge
6	4745D9631	Middle right bathwall
7	4716-527	Chain, 18"
	*4716-059	Screw
8	4746A3081	Hinge, x2 - M2
9	4745D9691	Middle left bathwall
10	4746A3091	Hinge
11	4745C3391	Door (middle)
12	4746A2911	Middle door trim
13	4745C9671	Lower bathwall
14	4745A6281	Door assy
	*4745-2601	Handle
	*4716-055	Screw
	*4745-2611	Hinge
15	4745D3401	Door (bottom)
16	4746-3591	Latch
17	4746A3011	Filler bottom
18	4746A3021	Filler side x2 - M2
	*4738-3088	Screw x4
19	4746A3001	Filler top
	*4738-3088	Screw x4
20	4745B3271	Lower trim (bottom)
21	406-00-000-78	3/4" T molding
22	4746-345	Bathwall nosing



NOTE:
 *4745C9671 Lower bathwall
 If heater is installed must order
 see notes 17, 18 and 19

If bathwall does not have a heater then order
 (2) 4745A6281 door assemblies are required (17)

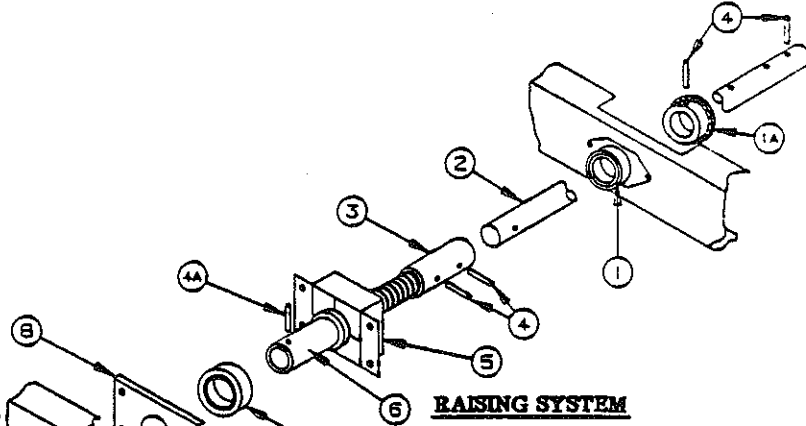
WHIFFLETREE ASSY CRANK & SPROCKET ASSY

1989
PLANTATION
PARTS LIST

Coleman 
CAMPING TRAILERS

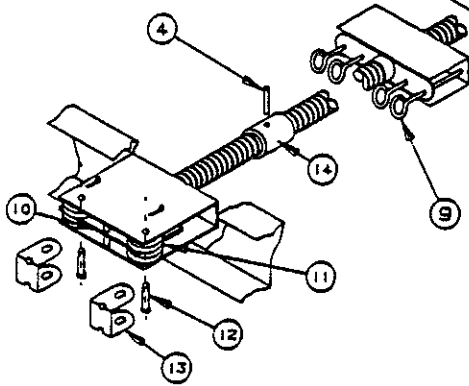
PARTS PACKAGE

- 4745B5411 Parts package 2399
- 4730A3211 Access door key M10
4732A4791 Safety pin M10
4771-2631 Hitch pin, M5
4735D6741 Pigtail
4745-3031 Safety chain
4745-6091 Stabilizer handle
4745-6211 Crank handle
4746-0401 Breakaway switch kit
4746-0991 Bargman receptacle kit
1014B1006 #10 x 3/8" Screw
1200E1338 1/4 - 20 x 2" Hex-head bolt
1201B6038 1/4 - 20 Lock nut x2
1201B6958 Keps nut

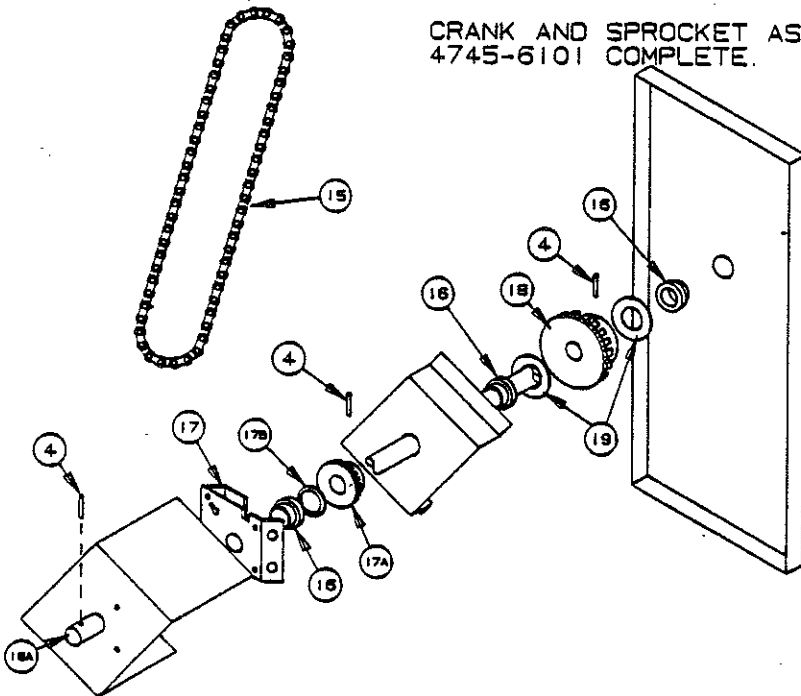


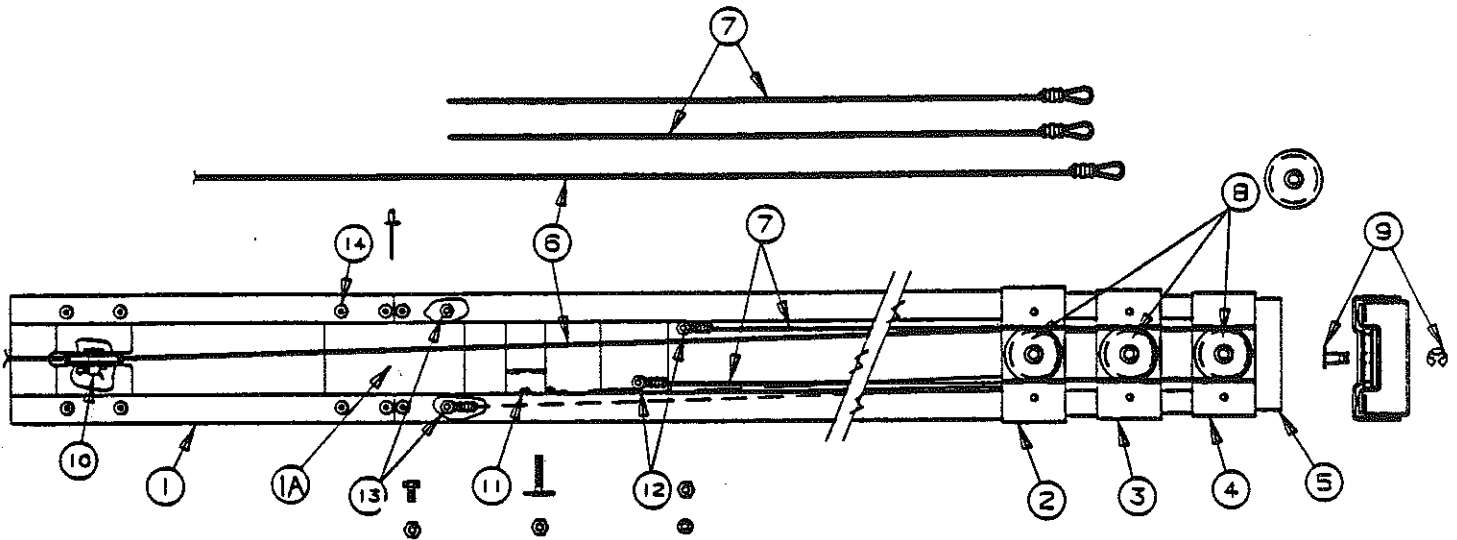
RAISING SYSTEM

CODE	PART NO.	DESCRIPTION
1	4741B8408	Bearing rear cross channel
	*1200B3048	Hex-head bolt
	*1201B6068	Hex nut
	*1202B0468	Washer
1A	4737-1778	Sprocket
2	4745C068	Crank extension
3	4720D1221	Coupling
4	4720B1481	Roll pin, M10
4A	4744A1301	Shear pin, M10
5	4720B2408	Retainer
	*4731-3878	Hex-head bolt
	*1201B6038	Hex nut
6	4720B2388	Thrust nut
7	4720A2421	Bearing
8	4720B2418	Plate
9	4744-4451	Screw eye, M4
	*1201B6078	5/16 - 18 Locknut x8 (included in 4720E5201 whiffletree assy)
10	4715C5661	Pulley spacer
11	4715A5371	Pulley and bearing, M10
12	4720H1561	Long pin, M5
13	4744A1748	Cable retainer
14	4746-0601	Bushing and pin package
15	4745A0691	Chain
	*4730A3811	Connecting link
16	4730B3828	Bearing
17	4746-0198	Ratchet bracket
17A	4737-4508	Ratchet gear
	*4720B1481	Roll pin, M10
17B	1202B278	Washer
18	4730B3858	Sprocket
18A	4745A070	Shaft
19	1202-2828	Washer
20	*4744-1318	Cable crimp
21	*1202B0208	Washer
22	*4720E5201	Whiffletree assy Note: Requires 4746-0601 bushing & pin package (x1)



CRANK AND SPROCKET ASSY
4745-6101 COMPLETE.





LIFT ASSEMBLIES 2399

4745A5461 Lift assembly, RF/LR - complete
4745A5471 Lift assembly LF/RR - complete

CODE	PART NO.	DESCRIPTION
1	4745-029	Stationary lift extension
1A	*4720-872	Extension connector
	*1203-8641	Rivet, M50
2	4720G5151	Stationary lift
3		Bottom lift assy
	4720E5161	(4745A5461 RF/LR)
	4739A6751	(4745A5471 LF/RR)
4		Center lift assy
	4720D5171	(4745A5461 RF/LR)
	4739A6731	(4745A5471 LF/RR)
5		Top lift assy
	4720D5181	(4745A5461 RF/LR)
	4739A6741	(4745A5471 LF/RR)
6	4745-5441	Cable assy, SS, long (186")
	*4744-1318	Cable crimp

CODE	PART NO.	DESCRIPTION
7	4731-5691	Cable assy, M2 (51")
	*4720C1691	Cable crimp M20
8	4715A5371	Steel pulley, M10
9	4730F2491	Pin and ring, M3 (includes 4730F249 pin and 4730B098 retaining ring)
	*4730B0981	Retaining ring, M12
10	4720C1578	Pulley pin, (long)
	*1204B1081	Cotter pin, M10
11	4737-8178	Bolt 1/4 - 20 x 1" (thin head)
	*4741-9218	Flange nut 1/4 - 20
12	1202B2638	Washer
	*4741-9218	Flange nut 1/4 - 20
13	1006B1618	Bolt 1/4 - 20 x 1"
14	1203-8641	Rivet, M50

TOP ASSY

1989 PLANTATION PARTS LIST



CAMPING TRAILERS

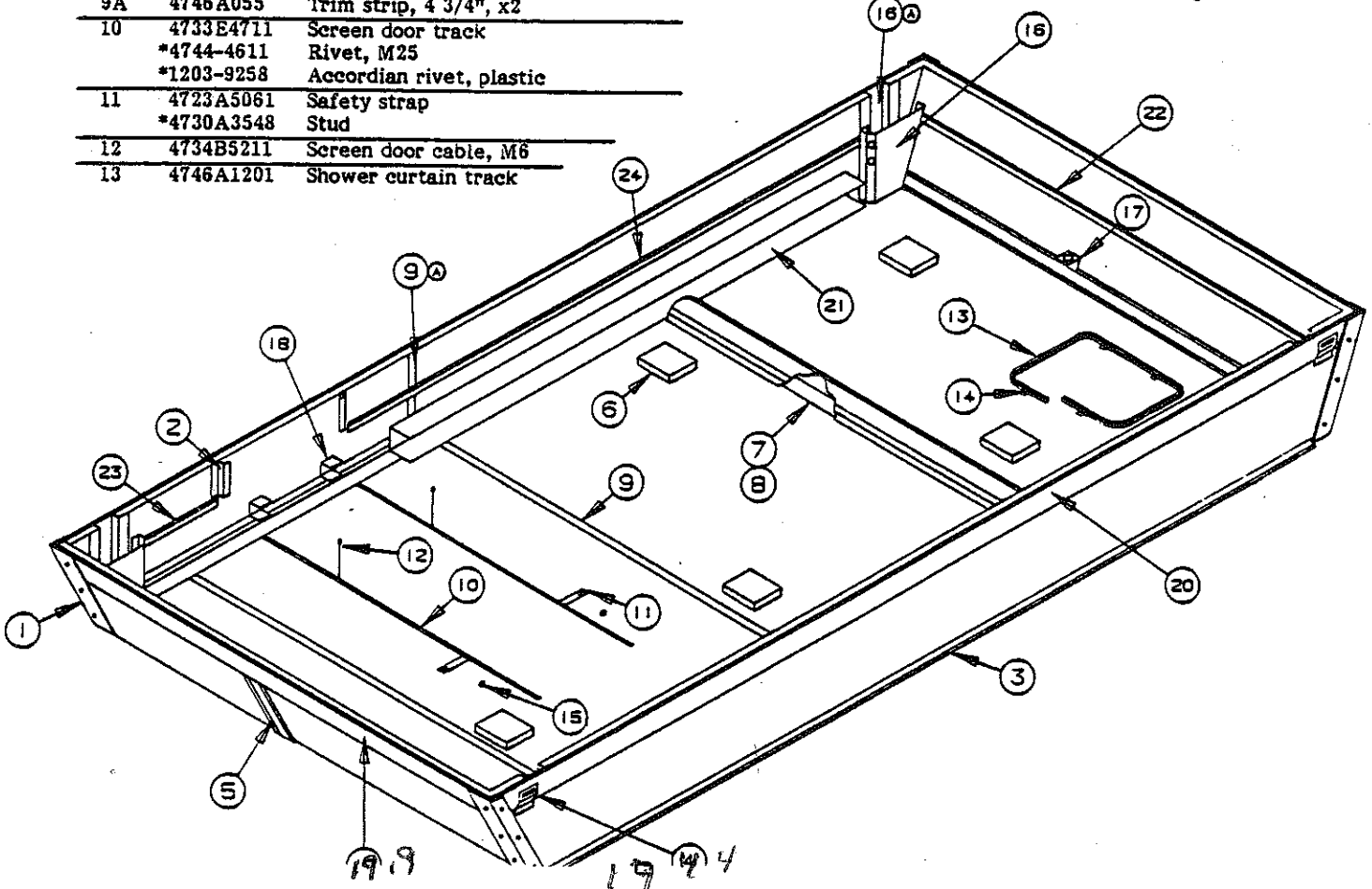
TOP ASSEMBLY

4745A5841 Plantation Top Assembly, 2399
Colonial White

CODE	PART NO.	DESCRIPTION
1	4745A0321	Top corner LF/RR, colonial white
	4745A0331	Top corner RF/LR, colonial white
	*4741A9368	Screw, colonial white
2	4741B8841	Screen door bracket
3	4745A373	Canopy track
	*4741A9368	Screw, colonial white
4	4715B2091	Strike, M4
	*4746-0768	Screw
	*1201B6958	Nut
	*4739-4198	Screw cap
5	4745A375	Center seam extrusion 176 7/8"
	*4741-3508	#8 x 1/2 Hex-head screw
	*406-00-001-96	Center seam vinyl screw cover (sold per foot, 15' required)
6	4737E5911	Dome light complete, x5
	*4714D0891	Dome light lens
	*1103B1028	Screw
	*4734-2388	Wire connector
7	4745A120	Roof brace
	*4746-049	Spacer plate
	*4746-0538	1/4-20 x 1 1/2 SS Screw
8	4746A032	Roof brace cover
	*4746-029	Hole plug 3/4" white, solid
	*4746-055	Bushing
	*4738-0498	1/4 - 20 x 9/16" Screw
9	4746A030	Trim strip, 77", x2
9A	4746A055	Trim strip, 4 3/4", x2
10	4733E4711	Screen door track
	*4744-4611	Rivet, M25
	*1203-9258	Accordion rivet, plastic
11	4723A5061	Safety strap
	*4730A3548	Stud
12	4734B5211	Screen door cable, M6
13	4746A1201	Shower curtain track

CODE	PART NO.	DESCRIPTION
14	4739-1208	Track mounting bracket
	*1103E1018	Screw
	*4724-727	Shower curtain tie strap
	*1202B2698	Washer
	*4744-4611	Rivet, M25
15	4737-3211	Rubber button, M8
16	4745A3511	Lift pocket cover (RSF/CSR)
	4745A3501	Lift pocket cover (RSR/CSF)
	*4746-029	Hole plug
16A	4745-5551	Lift pocket assy
17	4741C1131	Tent support bracket
	*4741A9368	Screw, colonial white
18	4745C5541	Screen door bracket
	*4741A9368	Screw, colonial white
19	4745A030	End seal extrusion
20	4745A031	Side seal extrusion
	*406-00-003-99	Top seal (sold per foot)
21	4746-243	Curtain track 120" curbside
	*4746A018	Curtain track 75" roadside
	*4741A9368	Screw, colonial white
22	4745-035	Tent extrusion
23	4745-036	Tent extrusion
24	4745-037	Tent extrusion
	* 1103E1018	Screw

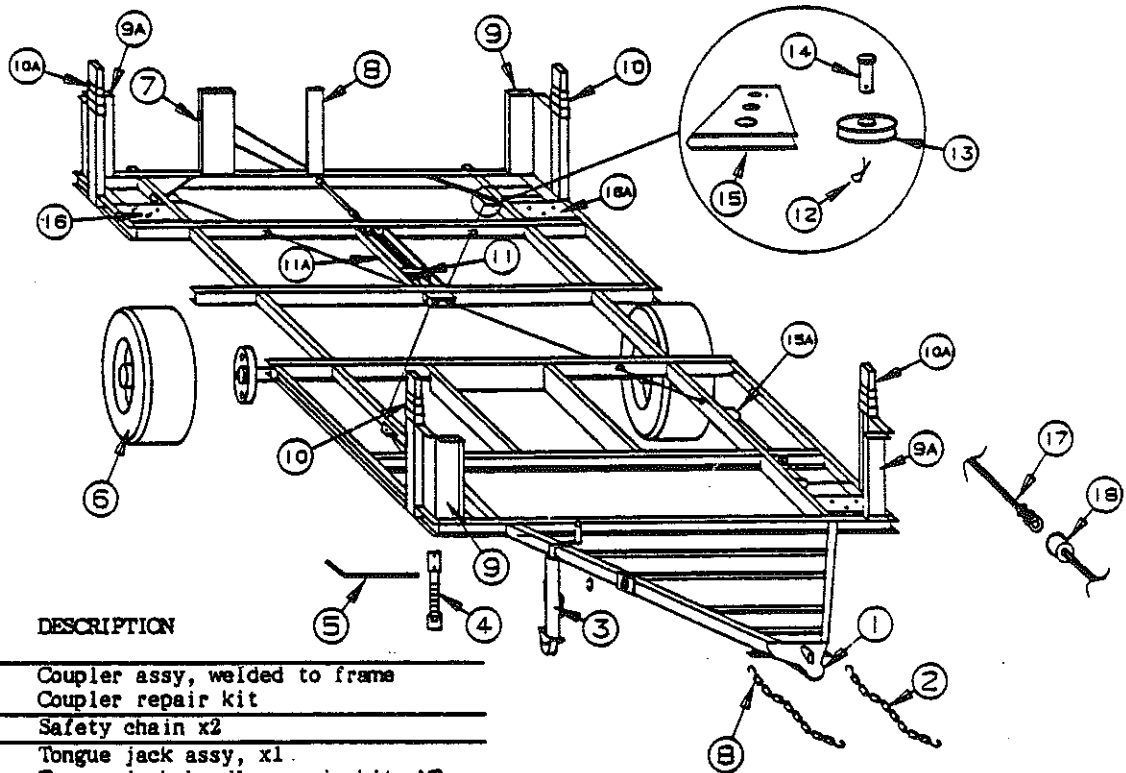
4744-3328 Yellow anti-corrosion sealant
 435-00-000-58 1/4 x 1 Saturated foam tape
 435-00-001-75 1/32 x 1 Live rubber tape
 435-00-000-18 1/4 x 3/4 Foam tape
 435-00-000-29 1/8 x 1/2 Gray putty tape
 4737B2838 Colonial white caulking



FRAME COMP'S

1989
PLANTATION
PARTS LIST

Coleman®
CAMPING TRAILERS



FRAME ASSEMBLY

CODE	PART NO.	DESCRIPTION
1	4745-016	Coupler assy, welded to frame
	*4716-0161	Coupler repair kit
2	4745-3031	Safety chain x2
3	4720B6661	Tongue jack assy, x1
	*4714-2821	Tongue jack handle repair kit, M2
	*4716-6661	Tongue jack wheel, nut and bolt
	*4714-2818	Locking plunger kit
	*4720A3341	Snap ring
	*4720A3331	Jack bracket, welded to frame assy
4	4720D0731	Stabilizer assy x4
	4739-2298	Nut (stabilizer assy to gusset)
5	4745-6091	Stabilizer handle x1
6	4745A1658	Tire & Rim, B78-13 Load Range "C"
	*1200B5501	Lug bolt, M4
	*4745A3921	Hubcap, 13"
7	4745-6101	Crank and sprocket assy complete (Turn to Page 17 for crank & sprocket assy components)
	*4731-3878	Hex bolt
	*1201B603	Hex nut
	*4745-6211	Crank handle
8	4745-508	Spare tire bracket
	*4731-3878	Hex bolt
	*1201B6038	Hex nut
9	4746-505	Corner bulkhead assy x2
9A	4746-506	Corner bulkhead assy x2
	*1203C8751	Rivet M25 x2 (two in each bulkhead)
10	4745A5461	Lift assy, x2
10A	4745A5471	Lift assy, x2
	4738A089	Bolt x4 (bolt lift assy to frame assy) (Turn to Page 18 for lift assy components)
11	4720E5201	Whiffletree assy
11A	4745-020	Guide channel (Turn to Page 17 for whiffletree assy components)

CODE	PART NO.	DESCRIPTION
12	1204B1081	Cotter pin, M10
13	4715A5371	Pulley and bearing assy, M10
14	4720C1578	Short pin
15	4732C3678	Adjustable pulley bracket, x4
15A	4745-063	Pulley bracket assy
	*4720H1561	Long pin, M5
	*1204B1081	Cotter pin, M10
	*4715A5371	Pulley & bearing assy, M10
16	4725B627	Stabilizer support x2
16A	4725-627	Stabilizer support x2
17	4745C5491	Wire harness
	*1201-8738	Clamp
	*4738-2608	Tek screw
	*4746-0911	Wire harness repair kit
	*4746-107	Wire connector 16-14 gauge
	*4746-108	Wire connector 12-10 gauge
18	4735D6741	Pigtail Car

WIRING - 115 VAC

Note: 14 AWG "Romex" wire can be purchased locally.

471083551 Receptacle and box

FIRE EXTINGUISHER

4737A5558 Fire extinguisher
4737B4978 Rec FIRE EXTINGUISHER
NEWEST

TOUCH-UP PAINT - 16 oz spray
0008A2441 Colonial white



CAMPING TRAILERS

1989
PLANTATION
PARTS LIST

CONVERTER CAB. ASSY
SAFETY SWITCH
LIGHT SWITCH

CONVERTER CABINET ASSEMBLIES

- 4745A1571 Converter
15 Amp. B-W
- 4745B864 Converter panel
- 4745B865 Converter cabinet top

4744-3101 Power cord, 25' - 30 amp

406-00-250-04 Solid welding 7/32" diameter
26 11/16" long

4746-377 Self stripping fuse holder

SAFETY SWITCH

- 4746A0971 12 VDC, 20 Amp
Push-button switch
(normally closed)
Front body rail

LIGHT SWITCH

- 4733B4981 Rocker switch (located on wall
panel inside access door)
- 4733A4981 Rocker switch (located in
sink cabinet front)

