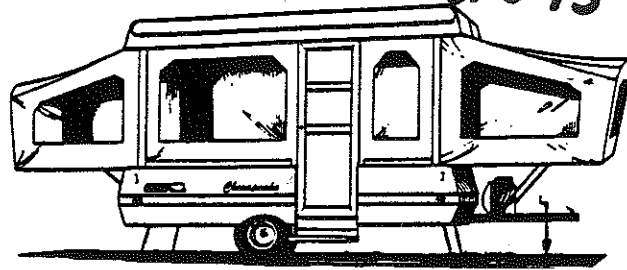
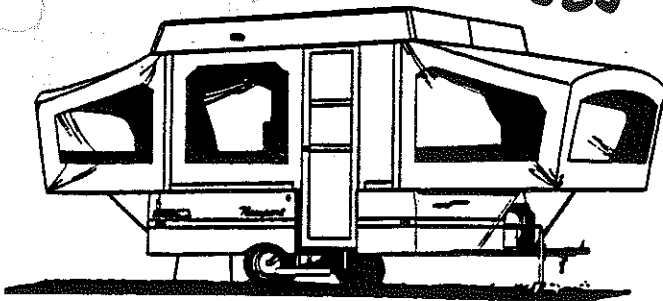


1989 PIONEER SERIES CAMPING TRAILERS

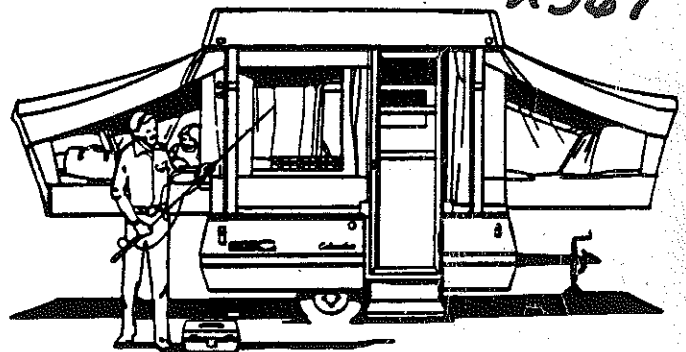
11'
Chesapeake 2393



9'
Newport 2385



7'
Columbia 2367



Coleman means
QUALITY
Always has. Always will.

ACCESSORIES

1989 PIONEER SERIES PARTS LIST



CAMPING TRAILERS

ACCESSORIES AND REPAIR PARTS

Air Conditioner, MiniMach - 6727B707, 7,000 BTU

6727A714 Ceiling asy with cooling only

Air Conditioner Kit, Mini-Mach - 4737E8091

(required with cooling only ceiling asy)

- 4733-1651 25', 20 amp cord
- 4747-890 Top brace x1
- 4741C620 Top brace asy (upright) x2
- 4744-5811 Cord cover, vinyl
- 4744-3118 Heyco 1" bushing
- 4716-054 1/4 - 20 x 1 1/2" Screw x4
- 4716-065 #10 x 1" stainless machine screw x2
- 1201-8738 1/2" Tube clamp, rubber-coated x3
- 1212-0128 White grommet
- 4724-2608 Nylon recessed bumper x2
- 4724-5951 Webbing tiedown strap asy.
- 4730A3548 Plated stud
- 4741B9368 #10 x 5/8" Screw, x3
- 4744A1301 Shear pin x1, M10
- 4746A053 Bolt x8
- 4749-109 Washer x4
- 435-00-000-58 Foam tape
- 4747-695 Mounting bracket asy x4
- 4747-889 Roof brace
- 4741B9658 Expansion rivet x8

Auto Extension, 12 VDC, 25' - 4733C6701

Bike Rack, Rear Mount, Black - 4744A5831

- 4724-7881 Tiedown strap asy x4
- 4739-4881 Rack hook x2
- 4739B484 Cross channel
- 4739B485 Rack tube top bracket x2
- 4739C631 Rack tube asy x2
- 4741B802 Top bracket support pad x2
- 4716-051 #10 x 1 1/2" S.S. machine screw x4
- 1103E1018 #10 x 5/8" S.S. screw x4
- 1201B6958 #10 keps nut x4
- 1201C6368 1/2-13 locknut x4
- 4732A4791 Safety pin, M10, x2
- 4771-2631 Hitch pin, M5, x2
- 435-00-000-58 1/8 x 1" foam tape
- 435-00-000-91 1/8 x 2" neoprene rubber

Bike Rack, Roof Mount, Black - 4739C6091

Note: Requires 4737B8231 boat/luggage rack.

- 4737A940 Cycle channel x2
- 4737B939 Brace x2
- 4737B950 Tiebar asy
- 1200E1158 1/4 - 20 x 1 1/4" bolt x4
- 1200E1268 1/4 - 20 x 5/8" S.S. bolt x4
- 1200E1338 1/4 - 20 x 2" S.S. bolt x2
- 1201B6038 1/4-20 locknut x8
- 1201E6128 1/4-20 acorn nut x2
- 4739A486 Black buckle
- 4739-172 7/8" square tube plug x6

Boat/Luggage Rack, Black - 4737B8231

- 4737B901 Boat/luggage rack rail x2
- 4739B6901 Rail support asy x4
- 4716-051 #10 - 24 x 1 1/2" S.S. machine screw x8
- 4716-065 #10 x 1" screw x8
- 1200E1458 1/4 - 20 x 2 1/2" S.S. machine screw x8
- 1201E6128 1/4-20 acorn nut x8
- 1201E6398 10-24 S.S. lock nut x8
- 4737A9038 3/16 x 2 x 12" neoprene pad x4
- 4716-073 S-hook x6
- 4744-2708 Gutter clip x2
- 406-00-218-01 Polypropylene rope 40 ft
- 435-00-000-91 1/8 x 2" neoprene rubber

Bumper, Storage, Black - 4733G6481

- 4733D648 Storage bumper
- 4734G5831 Frame extension asy left
- 4734G5841 Frame extension asy right
- 1200B3038 5/16 - 18 x 3/4" bolt x10
- 1202B1028 Washer x4

Canopy, Self-storing, Burgundy and Gray

- 4724G7001 7' models
- 4724H7011 9' models
- 4724H7021 11' models
- 4724F657 Canopy only 7' models
- 4724G655 Canopy only 9' models
- 4724G656 Canopy only 11' models
- 4714-2671 Canopy bag 7' models
- 4714-2681 Canopy bag 9' models
- 4714-2691 Canopy bag 11' models
- 4737B1451 Canopy support 7' models
- 4737B1391 Canopy support 9' models
- 4737A1541 Canopy support 11' models
- 4737E5971 Pole asy x2
- 8470-1748 Red cap (lower pole) x2
- 4720A2361 Support rod & pal nuts X2
- 4734-6708 Spring clip X2
- 4737A4258 End cap, canopy support x2
- 4737-3208 Screw x4
- 4716-067 #6 x 3/8" screw x2
- 1201B7338 Pal nut (canopy stops) x2
- 8460A1431 Poly rope 10', x2
- 4724B3931 Rope adjuster x2
- 4724-2558 12" hook stake x2

Curtains and Drapes

Refer to page 7

Electric Brake Package - 4714F2011

Fits 1 1/6" dia. straight spindle

Refer to page 5 for components.

Furnace: 20,000 BTU, HydroFlame - 4737-9661

12,000 BTU, HydroFlame - 4741-6571

Refer to page 2 for "HydroFlame" information

Furnace Front Kit, 2367 - 4747A8281

Furnace Front Kit, 2385 - 4747A8271

Furnace Front Kit, 2393 - 4747A8301

Furnace Installation Kit (HydroFlame), 4737F8041

- 4741-9471 Vent package
- 4741A926 Galley divider, left
- 4741A927 Galley divider, right
- 4716-075 #8 x 3/8" screw x6
- 4716-061 #10 x 2" screw x4
- 4716-063 #10 x 1/2" S.S. screw x13
- 1201-8658 3/4" tube clamp x4
- 1201-8708 3/8" tube clamp x2
- 1202B0268 Washer x2
- 1203-8741 Rivet x2, M25
- 1215-1778 Flare tee
- 1215-2418 Flare nut x4
- 1216-2088 Wire connector x3
- 4733A4128 Grommet x1
- 4734-3898 3/4" bushing
- 4737A925 Plastic base
- 4747-839 Thermostat bracket
- 4739-1258 1/2" Heyco bushing
- 4741-925 Wood strip x2
- 435-00-000-29 1/8 x 1/2" putty tape

Gas Bottle Cover, Burgundy - 4724D6441

Overhead Storage Cabinet, Classic Oak - 4739D6331

- 4739D6341 Door assembly
- 4733-6391 Latch and strike pkg x2
- 4733-0601 Rivet, M25
- 4744-9321 Hanger bar
- 4716-052 #10 x 1 1/8" machine screw x2
- 1201B6958 Keps nut x2
- 4739A4808 Hanger bracket x2
- 4741B4458 Conversion bracket x2
- 4716-063 #10 x 1/2" S.S. screw x10

Portable Toilet - 4741B2858

Privacy Curtain, 2367 - 4723-7831

Privacy Curtain, 2385, 2393 - 4723B7841

Propane Hose - 4714-7931

Refrigerator, - 4744-8361

Refrigerator Installation Kit, 2367, 2393 - 4747A9011

Refrigerator Installation Kit, 2385 - 4749-1391



1989 PIONEER SERIES PARTS LIST

TABLE OF CONTENTS

CAMPING TRAILERS

Screen Room, burgundy and gray (requires canopy)	
4723E6771	7' models, used with 4724G7001
4728D5621	9' models, used with 4724H7011
4728F5601	11' models, used with 4724H7021
4723A5801	Screen room adapter right
4723A5811	Screen room adapter left
4723A5291	Pole assy
4734-6708	Spring assy x3
8470-1728	Pin, blue, inner pole x3
8470-2258	Pin, blue, outer pole x3
4724-7941	Screen room bag
1225U3468	Zipper, slider half x2
1225U3478	Zipper, pin half x2
1225-4181	#5 zipper pull, M5
665-05-000-28	Chain zipper, off white
4714D1611	54" x 3 yds. screen pkg
4714-0361	54" x 13 yds screen pkg
435-00-000-04	3/4" velcro hook, pressure - gray
435-00-000-07	3/4" velcro hook, pressure - beige
406-00-000-45	1/4" dia. shock cord
4724-2011	Shock cord clip, M10
4741-4971	Dimpled bumper, x3 M6
4716-073	S-hook x2
4724A2558	Twist stake x7
4720D4021	Lashing hook x2, M6
Spare Tire Cover, burgundy	
4728C5341	Fits 4.80 x 8" tire and rim
4728K5101	Fits 20.5 x 8 x 10" tire and rim
Spare Tire Mount, Pioneer Series - 4741A6561	
4741A656	Tire mount asy
4737-958	Tire mount stud asy (2)
1178B1618	1/4 - 28 x 5/8" tapping screw x2
4716-071	1/4 - 20 x 3/4" tapping screw x2
1201B6618	1/2 - 13 lugnut x2
Spoker Hub Cap (set) for 8" 2367 - 4737-9611	
Stove, Electronic Ignition - Two-burner - 5435S700	
Stove Mounting Kit - 4747A5411	
4741B9368	Screw x6
4733-4118	Screw x4
4734B292	Stove rest
4734B3058	Bracket x2
4737B937	Stove support
4737B933	Stove bracket
Stove and Mounting Kit Complete - 4714E5981	
5435S700	Electronic ignition stove w/regulator
5410-5661	Gas hose
4739-6978	Throw-away cylinder adapter
4739-6998	Street tee
4737B937	Stove support
4737B933	Stove support bracket
4734B292	Stove Rest
4734B3058	Bracket x2
4737-849	Cap
Tire - 4715A3798 8" Colonial White	
Tire - 4730A3878 10" Colonial White	
Vanity Board - 4733H6341	
4734A2028	Chain x2
4734-2031	"S" hook x4, M4
4734-2048	Eye screw x4
4733A0811	Almond towel holder
4733B0791	Mirror
4747-8781	Vanity box rack
4739A2908	Screw cap x4
4739-2918	Screw washer x4
Wardrobe Rack, Colonial White - 4747-5451	
4716-063	Screw x10
4747-545	Hangar assy
4747-546	Wardrobe bracket x2
4741B4458	Conversion bracket x2
4737-3211	Button x2

DESCRIPTION	PAGE NUMBER
Access door assemblies	3
Accessories and repairs	1, 2
Auto extension	1
Axle assemblies and components	4
Backrest assemblies and covers	14
Bed assemblies	6
Bed extensions	6
Body corners - Pioneer series	9
Body panel assembly, trim tape & decals	
Front body panel	8
Rear body panel	8
Right rear body panel	9
Right front body panel	9
Left side body panel	10
Cabinet doors	11
Canvas assemblies	7
Converter cabinet assembly	14
Cooler	16
Crank and sprocket assemblies	17
Curtain packages and components	16
Cushion assemblies and covers	14
Drape packages	7
Electric brakes	5
Evolution assemblies	7
Expanda Bed and components 2367	3
Frame assembly	18
Gas systems	16
Hubcap	18
Hutch assembly - 2393, 2385	11
Kits	20
Lift assemblies	17
Lower galley assemblies	12
Mattress assemblies and covers	6
Paneling and trim	11
Parts package	20
Ratchet assembly	17
Rear expanda-bed mattress assy	3
Rivets	20
Safety latch	8
Screen door and jamb assemblies	16
Sealants	20
Seat frame assemblies	14
Sink and drain system	13
Spare tire mounts	2
Spring attachments	4
Step door light	3
Stove components	15
Table components	7
Tent support assemblies	3
Tire and rim	2
Tire cover	2
Tire mount	7
Top assemblies	19
Touch up paint	20
Upper galley assemblies	12
Water systems	13
Whiffle tree and parts	15

**ACCESS DOOR ASSY,
EXPANDA BED ASSY
EXPANDA BED MATT.**

**1989
PIONEER SERIES
PARTS LIST**



ACCESS DOOR ASSEMBLY

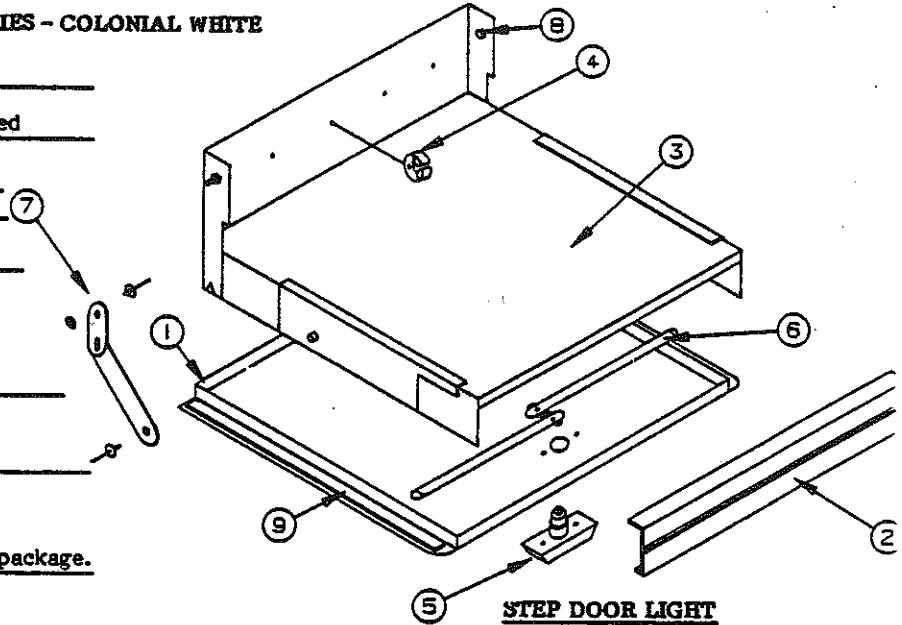
4739G6541 2367, 2385, 2393 - PIONEER SERIES - COLONIAL WHITE

CODE	PART NO.	DESCRIPTION
1	4741C0321	Access door skin
	*4716A514	Trim tape, 3 feet required
2	4731E2338	Access door cap
	*1203-8641	Rivet, M25
3	4731L2291	Step door covering
4	4734-2431	Snap clip, M4
	*4733-4118	Tek screw
5	4730B3111	Lock handle
	*4716-056	Screw
	*1201B6958	Keps nut
	*4737A4638	Open decal
	*4730A3211	Access door key, M10
6	4741-6551	Lock bar assy
	*4741-1438	Reinforcement plate
	*1202B8528	Lock washer
7	4744-6981	Swing arm assy
	1203C8721	Rivet, M25
	1202B0468	Washer
8	1006B2428	Bolt, 3/8 - 16 x 1 1/4
	1202B0468	Washer
	1201B5188	Nut, 3/8 - 16
9	406-00-250-06,	1/8 x 1/2" adhesive-backed foam tape

Note: Rivet and washer included in swing arm package.

2300 Pioneer Installation Repair Kits

4716A2101 Rt Rear/Rt Front/Access Door Repair Kit

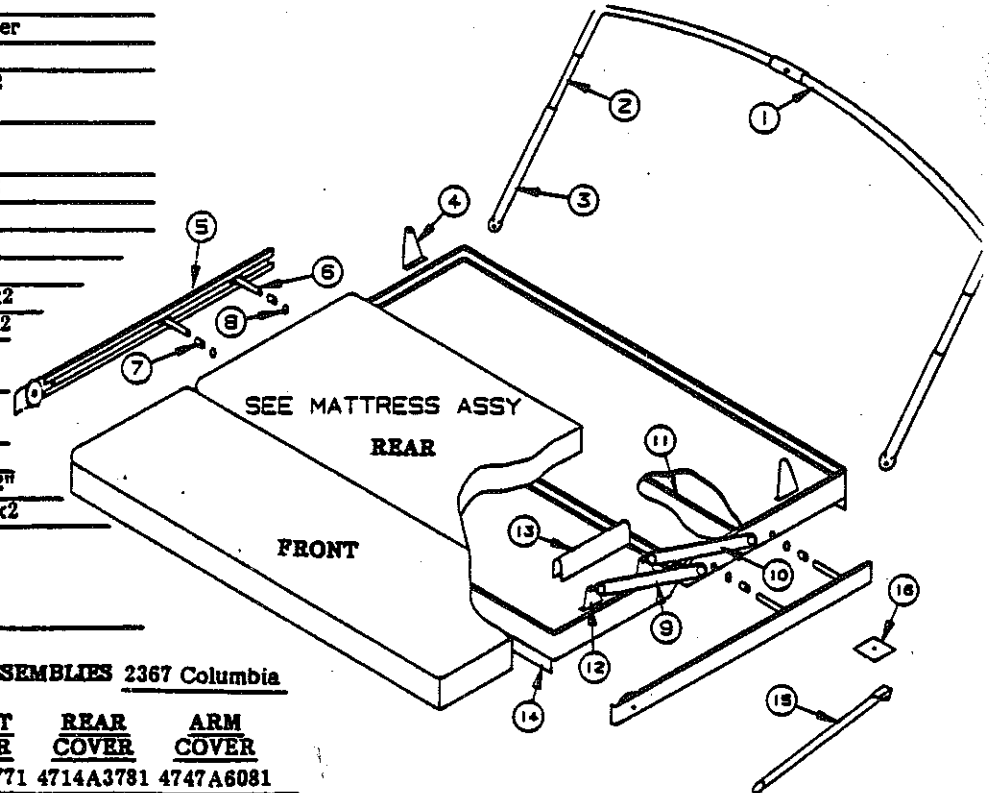


STEP DOOR LIGHT

4737A5901	Light assy (complete)
4714A0951	Light lens
4733B4981	Light switch

EXPANDA BED ASSY - 2367

CODE	PART NO.	DESCRIPTION
1	4737E2631	Tent bow support upper
2	4747-6071	Inner support assy x2
3	4744A9411	Tent support lower x2
	*4733-4188	Screws x 2
4	4747-6061	Bow bracket assy x2
	*1014B1006	Screws x 2
5	4744-9461	Bed extension assy x2
6	4731-4711	Roller support x4
7	4744-9408	Spacer x4
8	4744-948	Retaining ring x4
9	4744-9531	Link arm outer assy x2
10	4744-9541	Link arm inner assy x2
11	4744-939	Torsion tube x1
	*4744-952	Roll pin x2
12	4744-986	Bed bracket x4
	*1014B1006	Screw x4
13	4747A6081	Link arm cover x2
14	406-00-003-39	Bed Seal 72 1/8" x 2"
15	4734D5881	Bed support leg assy x2
16	4737A4178	Support plate x2
	*4716-074	Bolt x2
	*4739A2908	Cap x2
	*4739-2918	Cap washer x2



REAR EXPANDA-BED MATTRESS ASSEMBLIES 2367 Columbia

FRONT MATTRESS	REAR MATTRESS	FRONT COVER	REAR COVER	ARM COVER
4724A8041	4724A8051	4714A3771	4714A3781	4747A6081
71 X 22 X 3	71 X 28 X 3			

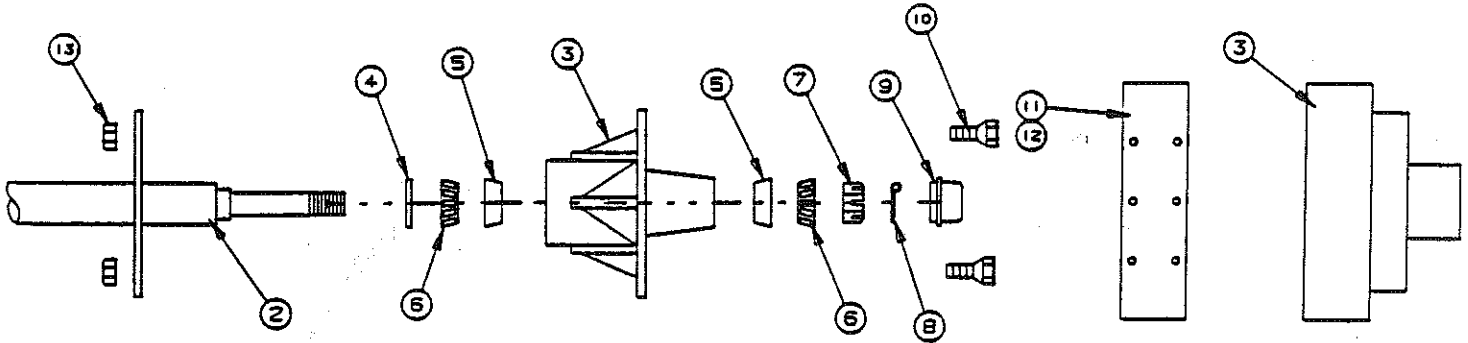


CAMPING TRAILERS

1989

PIONEER SERIES
PARTS LIST

AXLE ASSY'S
SPRING ATTACHMENTS



AXLE ASSEMBLIES

Note: Axle beams are 2000 pound capacity with brake mounting flanges, straight spindle, 1 1/16" diameter, 53" track width, 26" spring mount on 51" centers, underslung mounting.

*4738A0451 - Hub assembly complete with races and lug bolts.

*4714A3041 - Hub and drum assembly complete with races, bearings and grease seal.

Note: Original equipment axle beams are "Coleman" on all camping trailers except 2395 which is "Dexter." This can easily be verified by reading the metal band on the beam.

"Coleman" will use 4714A2201 grease seal.
"Dexter" will use 4714-2288 grease seal.

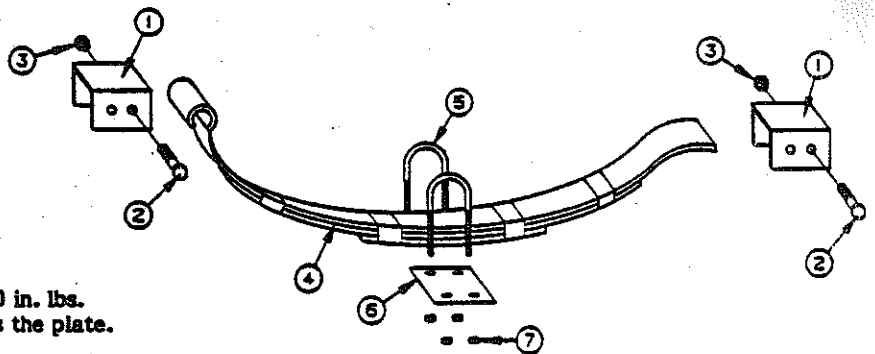
The 4741D6251 replacement beam assembly is a "Coleman" and will use 4714A2201 grease seal.

CODE	PART NO.	DESCRIPTION
1	*4738-0981	Leaf spring - 2 leaf 600 #
	*4741B3381	Leaf spring - 2 leaf 750 #
	*4735C2201	Leaf spring - 3 leaf 1000 #
2	4741D6251	Axle beam, 2367, 2385, 2393
3	4738A0451	Hub assy, 2367, 2385, 2393
4	4714A2201	Grease seal, M4
5	4714-2221	Inner and outer cup (race) L44610
6	4714-2231	Inner and outer cone (bearing) L44649
7	4714-3068	Spindle nut
8	1204-1268	Cotter pin
9	4714-0621	Grease cap, M4
10	1200B5501	Lug bolt, M4, 1/2 - 20 with 13/16" hex-head
11	4733A3521	Righthand electric brake assy, 7"
12	4733A3531	Lefthand electric brake assy, 7"

Note: Refer to page 5 for the component parts of the electric brake assemblies.

SPRING ATTACHMENTS

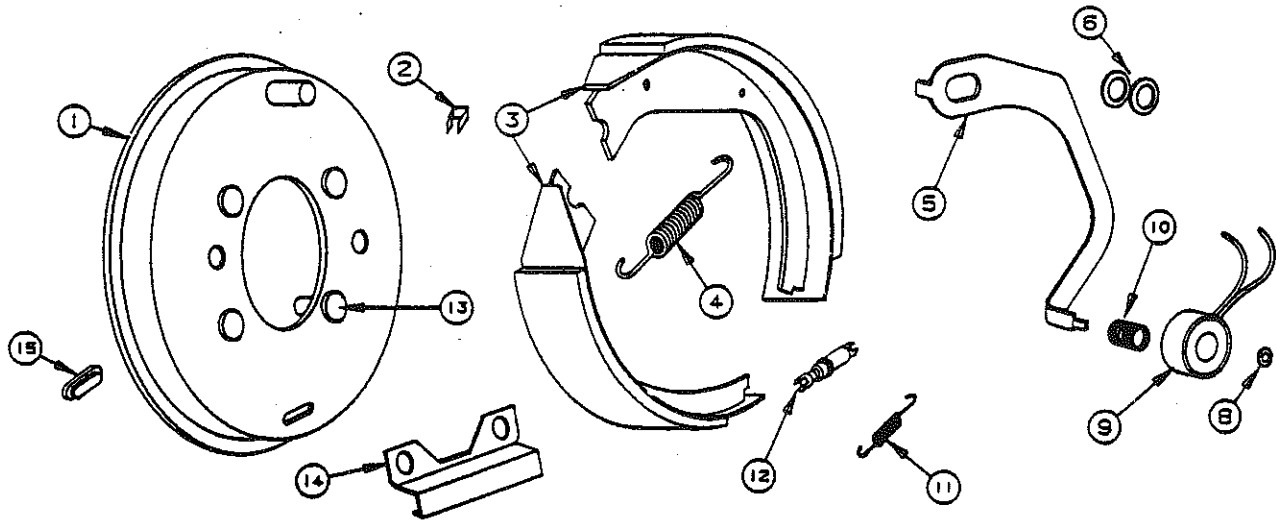
CODE	PART NO.	DESCRIPTION
1	4741B3398	Rear spring shackle
	4741A3398	Front spring shackle
2	4737A1318	Shackle bolt
3	4741-9498	Shackle bolt nut
4	Refer to axle assemblies chart.	
5	4741-8438	"U" bolt
6	4741-8458	"U" bolt plate
7	4741-9358	"U" bolt nut



Note: "U" bolt nut should be tightened to 180-210 in. lbs.
"U" bolts should be tightened evenly across the plate.

**ELECTRIC BRAKES
(COMPLETE)**

**1989
PIONEER SERIES
PARTS LIST**



ELECTRIC BRAKE PACKAGE (COMPLETE)

4714F2011 for 1 1/16" diameter straight spindle

Item	Coleman Part No.	Dexter Part No.	Qty/ Brake	Description
1	Note	36-36-4	1	Backing plate assy
2	Note	46-23	2	Shoe hold-down spring
3	4714B2071	40-125 40-49	1	Primary shoe and lining assy and Secondary shoe and lining assy
4	4714A2411	46-24	1	Retractor spring
5	4714-2841	47-30-4 47-29-4	1	RH actuating lever arm and LH actuating lever arm
6	4714A2461	46-30	2	Anchor post clip, M2
7	* Note	27-5	1	Wire clip
8	4714A2471	46-39	1	Magnet retainer clip
9	4714C2451	42-44	1	Magnet asy kit; includes 1 magnet, 1 spring and 1 retainer clip
10	4714A2421	46-25	1	Magnet housing spring
11	4714A2101	46-22	1	Adjustable screw spring
12	4714A2041	43-11	1	Adjusting screw
13	Note	7-41	4	Backing plate bolt
14	Note	64-1	1	Stabilizer bracket
15	Note	46-7	1	Plug
	4733A3521	23-48		RH complete brake assy only
	4733A3531	23-47		LH complete brake assy only

NOTE: Must be ordered through Dexter.
When ordering with Dexter please supply their vendor number
Phillips Industries/Dexter Axle Division
1-219-295-1900 Customer Service Dept.

In order to change to electric brakes on a 2367 Columbia you must first replace the axle beam with 4741D6251 axle assy.



CAMPING TRAILERS

1989

PIONEER SERIES PARTS LIST

BED ASSY, BED EXTENSIONS, AND SUPPORTS

BED ASSEMBLIES, EXTENSIONS AND SUPPORTS

Model	Bed Extension Front		Bed Extension Rear		Bed Support	
	Curb-side	Road-side	Curb-side	Road-side	Front	Rear
Pioneer Series						
2367 Columbia	4739-6151	4739-6191	4744-9461	4744-9461	4720F5821	4734D5881
2385 Newport	4731-6291	4739-6191	4739-6191	4739-6191	4720F5821	4734D5881
2393 Chesapeake	4716-0381	4716-0391	4731-6291	4731-6291	4720F5821	4734D5881

BED ASSEMBLY DETAILS

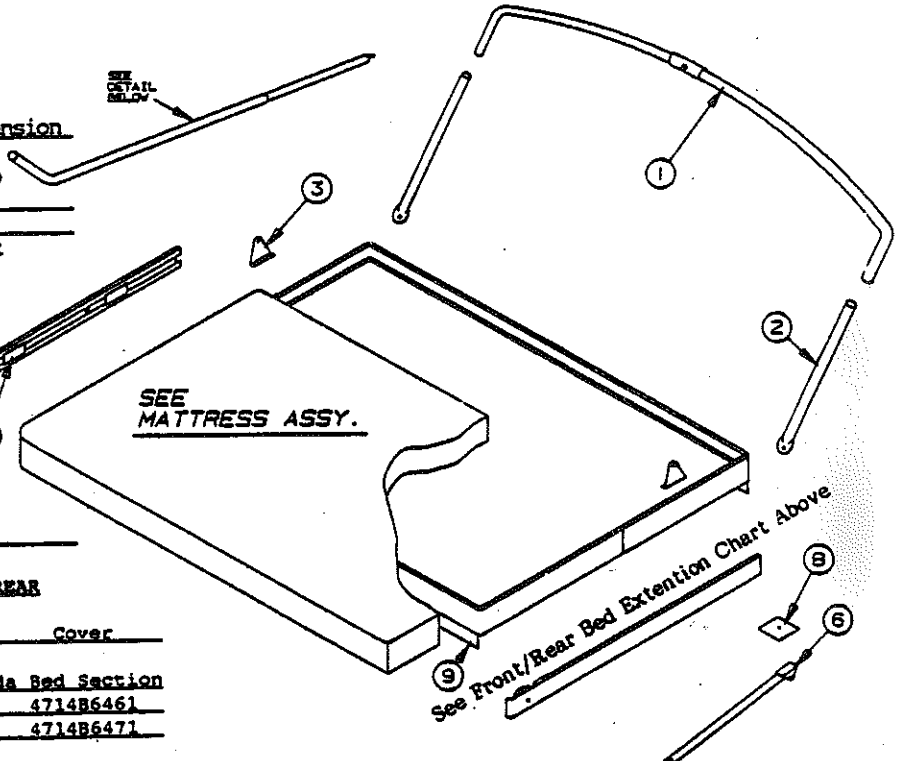
CODE	PART NO.	DESCRIPTION
1	4737E2631	Upper tent bow assy (all)
2	4737E2641	Lower tent support
	4733-4118	Tek screw
3	4720F5631	Bed bow bracket
	4716-078	Screw

Note: Bed assemblies are special order and are shipped complete less mattress assembly.

See page 3 for Expanda-Bed mattress assemblies.

BED EXTENSION HARDWARE

4	4720B0831	Large plastic wheel
	4731A1288	Flathead rivet, wheel to extension
5	4720B5621	Roller assy
	4731A1308	Rivet, small plastic wheel to roller support
6	4734A5141	Bed leg support bracket
7	4720A2361	Bed leg support rod & pal nut
	4739A2908	Screw cap
	4739-2918	Screw cap washer
	1040B1614	Bolt
	1202B2528	Washer
8	4734E447	Support plate (2 x 3)
	4737A4178	Support plate (6 x 6)
9	4060000339	Bed seal
10	4720C0771	Bed leg support clip M4
	1203-8831	Rivet, M25
	4720D4021	Lashing hook, M6
	1202B0268	Washer
	1203-8741	Rivet, M25



MATTRESS ASSEMBLIES

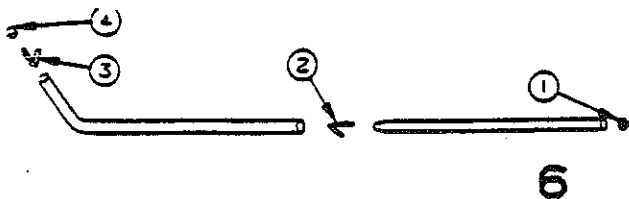
Pioneer Series	Assembly	FRONT		REAR	
		Cover	Assembly	Cover	Assembly
2367 Columbia	4724A8061	4714J7491	See Expanda Bed Section		
2385 Newport	4723H6671	4714B6461	4723H6671	4714B6461	
2393 Chesapeake	4723A7861	4714A3761	4714G7381	4714B6471	

REFERENCE DIMENSIONS

Pioneer Series	Front		Rear	
	Dimensions	Dimensions	Dimensions	Dimensions
2367 Columbia	71 x 51 x 3		Expanda-Bed Dimensions	
2385 Newport	71 x 51 x 3		71 x 51 x 3	
2393 Chesapeake	71 x 74 x 4		71 x 51 x 4	

TENT SUPPORT ASSEMBLIES

4741CS591	Tent support, regular bed
	2367, 2385, (front and rear)
	2393 (rear only)
4741DS581	Tent support, queen bed
	2393 (front)



CODE	PART NO.	DESCRIPTION
1	8470-1728	Pole pin, blue
2	4734-6708	Spring assy
3	4734A6708	Spring assy
4	4730B4648	Tube closure

NOTE: Inner and outer pole assemblies not sold separately

EVOLUTION III ASSY'S
CANVAS ASSY'S
DRAPES, TABLE ASSY

1989
PIONEER SERIES
PARTS LIST



EVOLUTION III ASSEMBLIES

Pioneer Series	Front Boot	Rear Boot	Large Window	Small Window	Door Seal
2367 Columbia	4724E7461	4724E7461	4724C7751	4724C7741	4724C7731
2385 Newport	4724E7461	4724E7461	4724C7701	4724C7711	4724C7721
2393 Chesapeake	4724E7471	4724E7461	4724D7491	4724D7681	4724D7481

Note: 6650500028 - No. 5 Ziplon chain zipper, white (used around windows)
8115400017 - 7 oz. "Evolution III" 8160000320 - Bias binding
8118001427 - 80" Top vinyl gray back
4060001201 - 36" 12 mil. clear vinyl

CANVAS ASSEMBLIES

Pioneer Series	Front Boot	Rear Boot	Large Window	Small Window	Door Seal
2367 Columbia	4727U6821	4727U6821	4724D6801	4723C6161	4724E6831
2385 Newport	4727U6821	4727U6821	4727U6801	4728E6871	4728E6851
2393 Chesapeake	4724E6741	4727U6821	4724C6771	4724C5681	4724D5691

- Note: 1225U3478 - Zipper pin half
1225U3468 - Zipper slider half
1225-4191 - Zipper pull, M5
6650500027 - No. 5 Ziplon chain zipper, suntan (used around windows)
4727-4471 - Canvas patch pkg, 12" x 14"
4714D1611 - 54" x 3 yds screen pkg
4714-0361 - 54" x 13 yds screen pkg
4714-2171 - Dry clean pad M5
4714B6021 - 14' Shock cord pkg M2
4744-4578 - Zipper pull tag
4724-2011 - Shock cord clamp, M10
- 8114210114 - 42" 10/10 Army duck canvas
8118001420 - 80" Vinyl coated polyester
4060001201 - 36" 12 mil. clear vinyl
8160000311 - Bias binding

DRAPES

Pioneer Series	Drape Package	No. of Panels
2367 Columbia	4724J6331	4
2385 Newport	4724L6331	4
2393 Chesapeake	4723B7781	5

DRAPERY COLORS

- 2367 - Coral, Vinyl backed
2385 - Essex "Delft"/off white liner
2393 - Essex "Delft"/off white liner

SINGLE DRAPE PANEL W/SAFETY STRAP

- 4716-0411 Single Panel Drape w/safety strap, 2367
4716-0421 Single Panel Drape w/safety strap, 2385, 2393

Drapes Curtain Ties not available on Pioneer Series

Component Parts

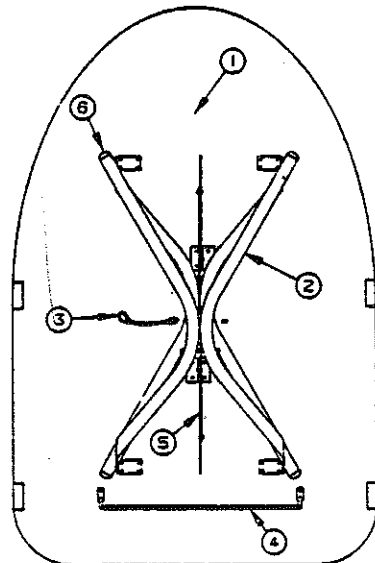
- 4738-3088 Screw
4725A1981 Curtain tab M100

DINETTE TABLE ASSEMBLY

CODE	PART NO.	DESCRIPTION
1	4716F1511	Table top 2367
	4716-4521	Table top 2393
	4749-1011	Table top 2385
2	4745-5271	Dinette table leg assy (includes hardware to install legs M2 to table top)
3	4720B5951	Table strap assy, M4
4	4734C0841	Towel rack, 22 1/4"
	4737-8488	Screw, rack to top
5	4720A1501	Lock brace package
	4737-8488	Screw, brace to top
6	4720C3928	Table leg cap

TABLE TOP DIMENSIONS

4716F1511	30 x 39 3/8 x 5/8"	2367	Columbia
4716-4521	30 x 39 3/8 x 5/8"	2393	Chesapeake
4749-1011	23 1/2 x 39 3/8 x 5/8"	2385	Newport

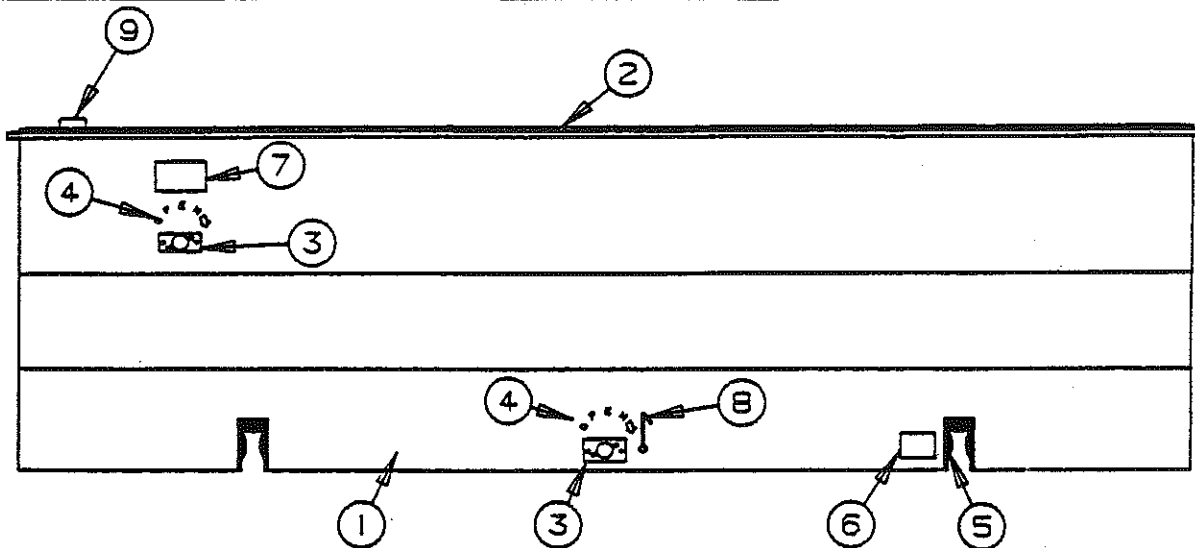




CAMPING TRAILERS

1989 PIONEER SERIES PARTS LIST

FRT. BODY PANEL ASSY
REAR BODY PANEL ASSY



PIONEER SERIES COLONIAL WHITE FRONT BODY PANEL ASSEMBLY COMPONENTS

CODE	PART NO.	DESCRIPTION
1	4737D8601	Front body panel, 2367, 2385, 2393
2	4720G1808	Body rail (all)
	*1203-8641	Rivet, M50 rail to panel
3	4741-403	Bushing plate
	*4741-3508	Screws x2
4	4730G3188	"Open" decal
5	4737A4458	Gasket x2
6	4730H2138	Gas supply L.D. plate
7	4737C3638	Latch caution decal
8	4730A1221	Safety latch package
	*1201B6038	Nut 4720B3448 Bolt.
	*1202B2528	Washer 1 1/4" O.D.
9	4734C153	Rail stop
	*4716-063	Screws x2

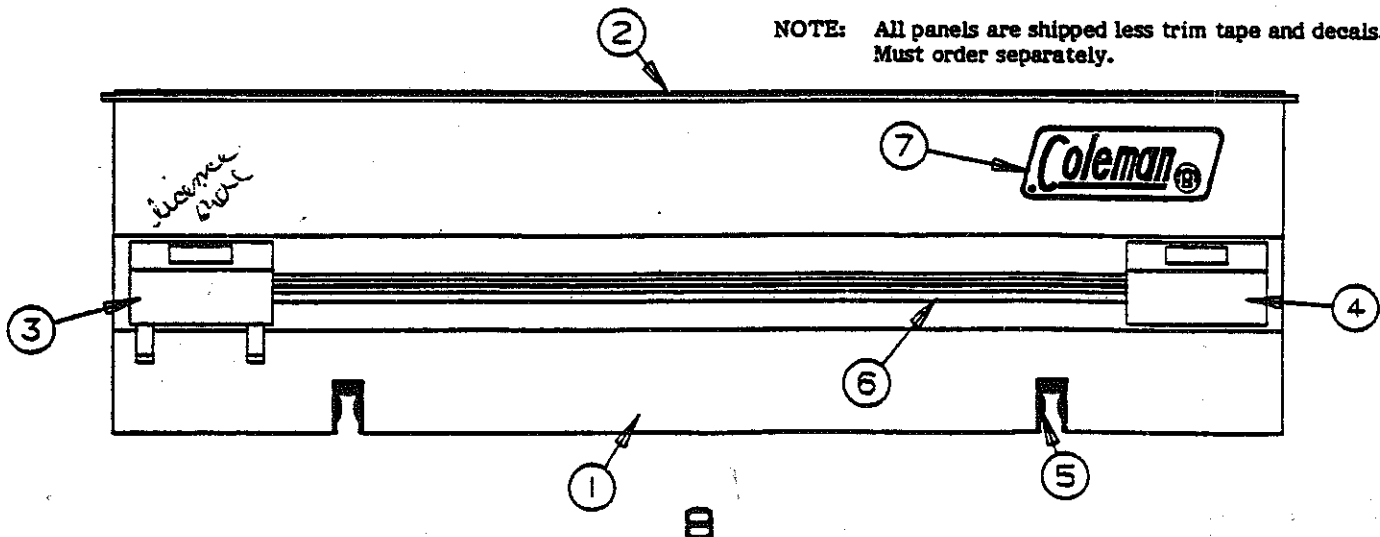
NOTE: All panels are shipped less trim tape and decals.
Must order separately.

2300 Series Pioneer Installation Repair Kit
4716A2121 Front or Rear Repair Kit

PIONEER SERIES COLONIAL WHITE REAR BODY PANEL ASSEMBLY COMPONENTS

CODE	PART NO.	DESCRIPTION
1	4737C8621	Rear body panel, 2367, 2385, 2393
2	4737A881	Body rail (all)
	*1203-8641	Rivet, M50, rail to panel
3	4734-3911	Taillight assy, roadside
	*4714-0881	Taillight lens only, M2
	*1203-8651	Rivet, M50
	*4734-3898	Bushing x1
	*4734-2388	Wire connector
4	4734-3921	Taillight assy, curbside
	*4714-0871	Taillight lens only, M2
	*1203-8651	Rivet, M50
	*4734-3898	Bushing x1
	*4734-2388	Wire connector
5	4737A4458	Gasket x2
6	4716A514	Trim tape - 5 ft required
7	4741E2868	Coleman logo

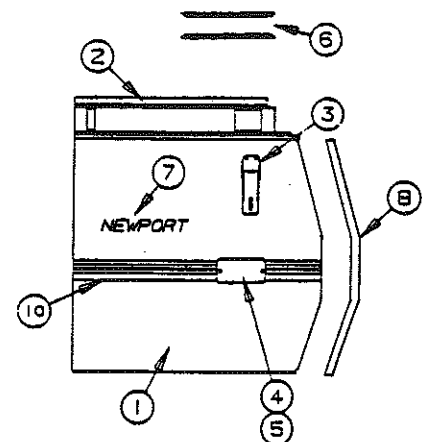
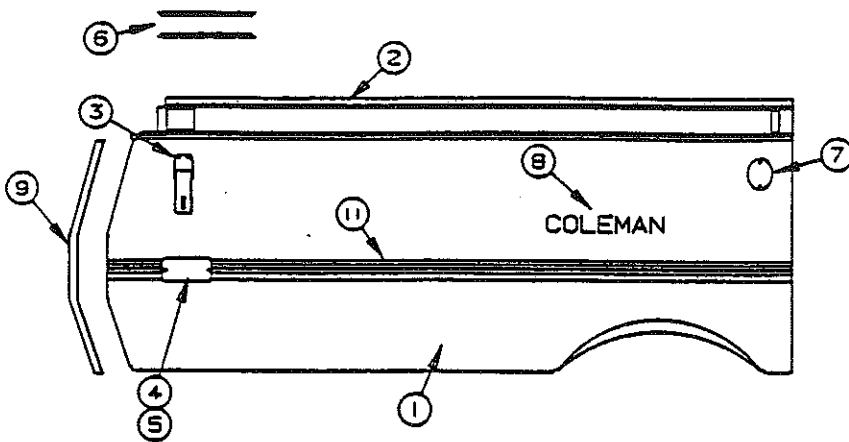
NOTE: All panels are shipped less trim tape and decals.
Must order separately.



RIGHT REAR BODY P.
RIGHT FRONT BODY P.

1989
PIONEER SERIES
PARTS LIST

Coleman 
CAMPING TRAILERS



PIONEER SERIES COLONIAL WHITE
CURBSIDE RIGHT REAR BODY PANEL

CODE	PART NO.	DESCRIPTION
1	4737C8611	Body panel, 2367
	4744B0031	Body panel, 2385
	4744A0531	Body panel, 2393
2	4739C2708	Body rail 2367
	4744-045	Body rail 2385
	4744-063	Body rail 2393
	*1203-8641	Rivet, M50, rail to panel
	4723-8071	Velcro hook 2" x 2" square adhesive-backed
	4724D2631	Velcro hook 3/4" wide adhesive-backed
3	4741B6041	Top latch w/o lock
	*4741-8218	Screws x4
4	4733G1311	Socket and harness
	*4714-3701	Bulb (#204), M4
5	4714E0851	Red lens and base
	*4741A9368	Screws X2
	*4734-2388	Connector
6	4737-0738	Rail stop 6 3/16", 2367, 2385
	4730B1211	Rail stop 16 3/16", M4 - 2393, 2385
7	4733-281	RVI tag
	*1203-8678	Rivet, x2
8	4745A1908	Coleman logo
9	4737B8641	Right rear body corner
	*4741-9108	Screws x6
	*406-00-000-96	Vinyl screw cover (24") sold per ft
10	*4710-3621	Roll pin, M10 x 4
11	4716A514	Trim tape
		2367 model - 4 ft required
		2385 model - 5 ft required
		2393 model - 6 ft required

Note: All panels are shipped less trim tape and decals. Must order separately.

2300 Series Pioneer Installation Repair Kit

4716A2101 Rt Rear/Rt Front/Access Door Repair Kit

PIONEER SERIES COLONIAL WHITE
CURBSIDE RIGHT FRONT BODY PANEL

CODE	PART NO.	DESCRIPTION
1	4737C8571	Body panel, 2367
	4744B0051	Body panel, 2385
	4744A0551	Body panel, 2393
2	4739C2698	Body rail 2367
	4744-046	Body rail 2385
	4744A065	Body rail 2393
	*1203-8641	Rivet, M50, rail to panel
	4723-8071	Velcro hook 2" x 2" square adhesive-backed
	4724D2631	Velcro hook 3/4" wide adhesive-backed
3	4715E5051	Top latch w/lock
	*4741-8218	Screws X4
4	4733G1311	Socket and harness
	*4714-3701	Bulb (#204), M4
5	4714E0841	Amber lens and base
	*4741A9368	Screws x2
	*4734-2388	Connector
6	4737-1088	Rail stop 10 11/16", 2367
	4730B1211	Rail stop 16 3/16", 2385, 2393
	4737-0738	Rail stop 6 3/16", 2367,
7	4737D8808	Name decal, 2367
	4744C0018	Name decal, 2385
	4739E1918	Name decal, 2393
8	4737B8651	Right front body corner
	*4741-9108	Screws x6
	*406-00-000-96	Vinyl screw cover (24") sold per f:
9	*4710-3621	Roll Pin, M10 x4
10	4716A514	Trim tape
		2367 model - 2 ft required
		2385 model - 3 ft required
		2393 model - 4 ft required

NOTE: All panels are shipped less trim tape and decals. Must order separately.

2300 Series Pioneer Installation Repair Kit

4716A2101 Rt Rear/Rt Front/Access Door Repair Kit

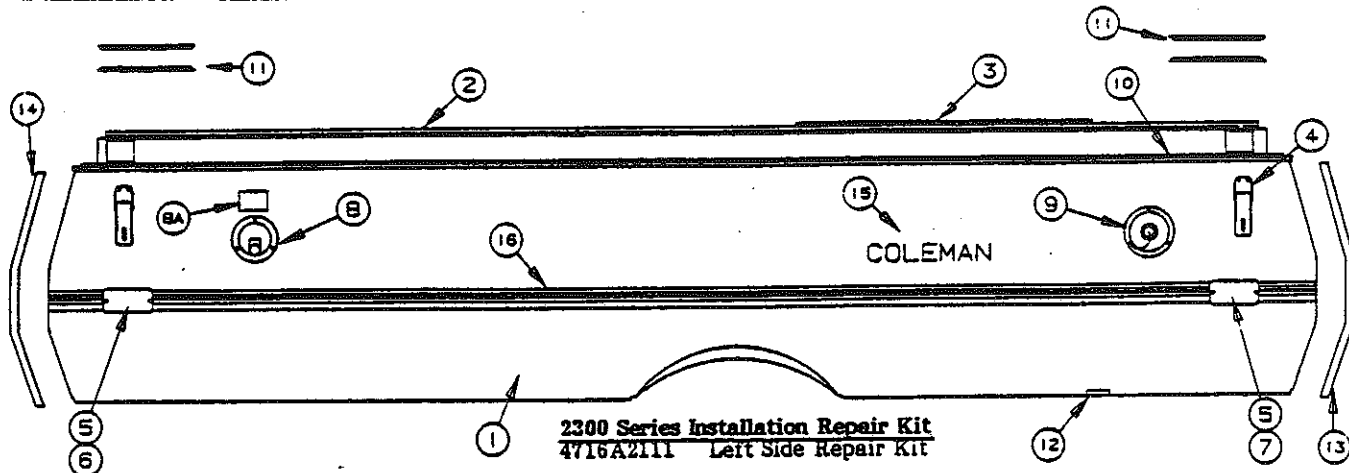


CAMPING TRAILERS

1989

PIONEER SERIES
PARTS LIST

LEFT BODY PANEL
ASSY



2300 Series Installation Repair Kit
4716A2111 Left Side Repair Kit

**PIONEER SERIES COLONIAL WHITE
LEFT BODY PANEL ASSEMBLY COMPONENTS**

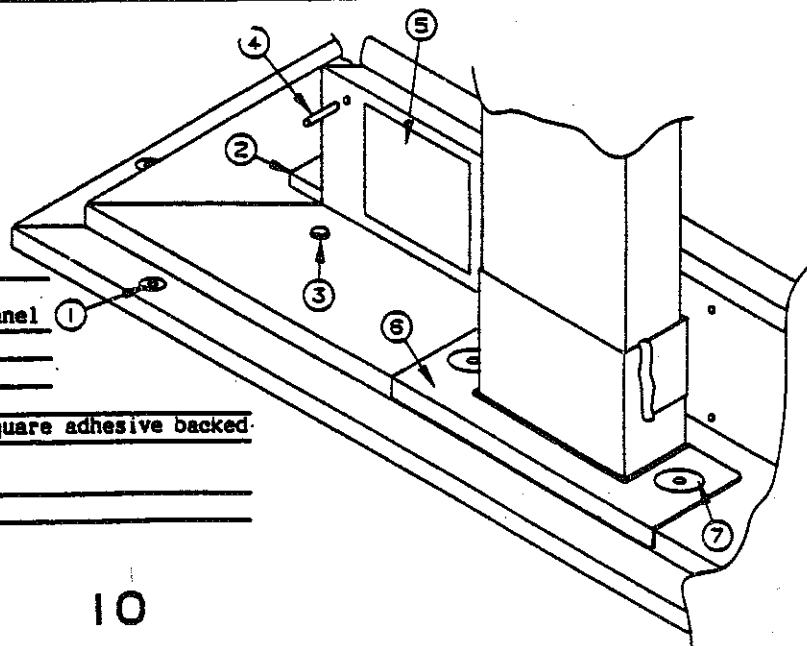
CODE	PART NO.	DESCRIPTION
1	4737F8631 4744E0041 4744E0541	Body panel, 2367 Body panel, 2385 Body panel, 2393
2	4739D2688 4744A044 4744A064 *1203-8641 4723-8071	Body rail 2367 Body rail 2385 Body rail 2393 Rivet, M50, rail to panel Velcro hook 2" x 2" square, adhesive-backed
3	4737B2581 *4741-9861	Curtain track package M2 Contains two pieces 32" long Rivet, M25, track to rail
4	4741B6041 *4741-8218	Top latch w/o lock x2 Screws x4
5	4733G1311 *4714-3701	Socket and harness x2 Bulb (#194), M4
6	4714E0841	Amber lens and base
7	4714E0851 *4741A9368 *4734-2388	Red lens and base Screws x2 Connector

CODE	PART NO.	DESCRIPTION
8	4733-2331 *4741-3508	Cable hatch Screws x3
8A	*4710C3618	110 Volt decal
9	4732D1521 *4741-3508	City water fill Screws x3
10	1204-0408	Snap bushing
11	4737-0738 4730B1211	Rail stop 6 3/16", 2367, 2385 Rail stop 16 3/16", 2393
12	4744-2668	Drain decal
13	4737B8651	Left rear body corner
14	4737B8641	Left front body corner
15	4745A1908	Coleman logo
16	4716A514	Trim tape 2367 model - 8 ft required 2385 model - 10 ft required 2393 model - 12 ft required
17	*4710-3621 *1201-8738 *1202B2698 *1203-8641	Roll pin M10, x4 Wire clamp holder Washer Rivet, M50

Note: All panels are shipped less trim tape and decals.
Must order separately.

LIFT TRIM

CODE	PART NO.	DESCRIPTION
1	1203-8641	Rivet, M50, rail to panel
2	4747-2171	Bug hole patch
3	4741-8218	Screw
4	4710-3621	Roll pin x4, M10
5	4723-8071	Velcro hook 2" x 2" square adhesive backed
6	4734B4121 *4747-865	Lift trim Foam tape
7	1203-8831	Rivet x2, M25

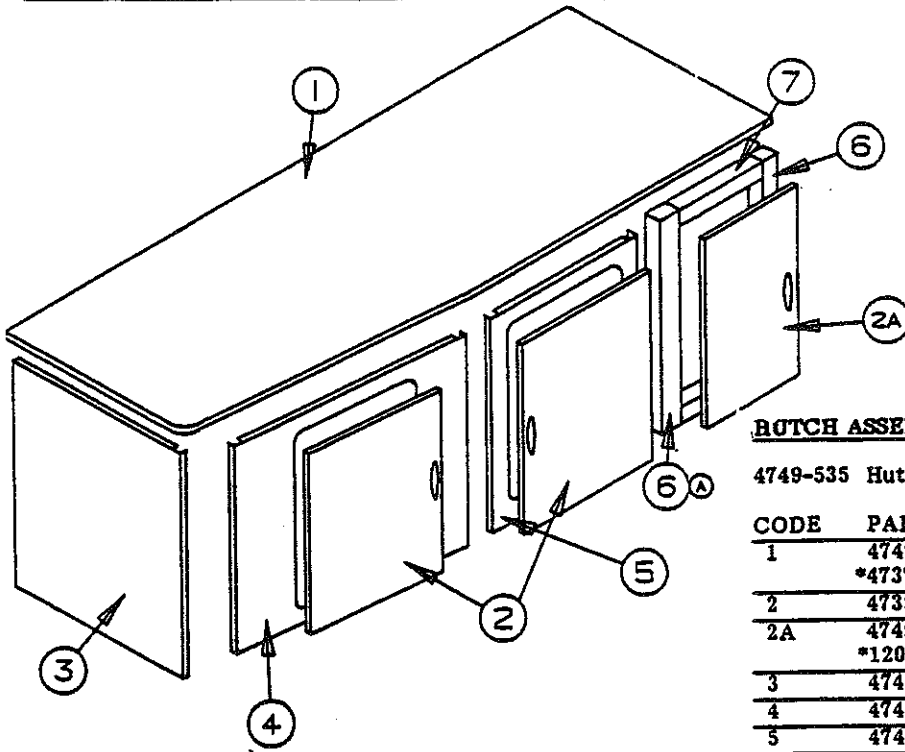


HUTCH ASSY
2385, 2393

1989
PIONEER SERIES
PARTS LIST



CAMPING TRAILERS



PANELING AND TRIM

4714D4501	Universal wall panel (48" x 18 1/8") Classic Oak
4714C2911	Corner divider (17 5/8" lengths) M5
4714C2921	Panel divider (17 5/8" lengths) M5
4714C2931	Toe molding (48" lengths) M2

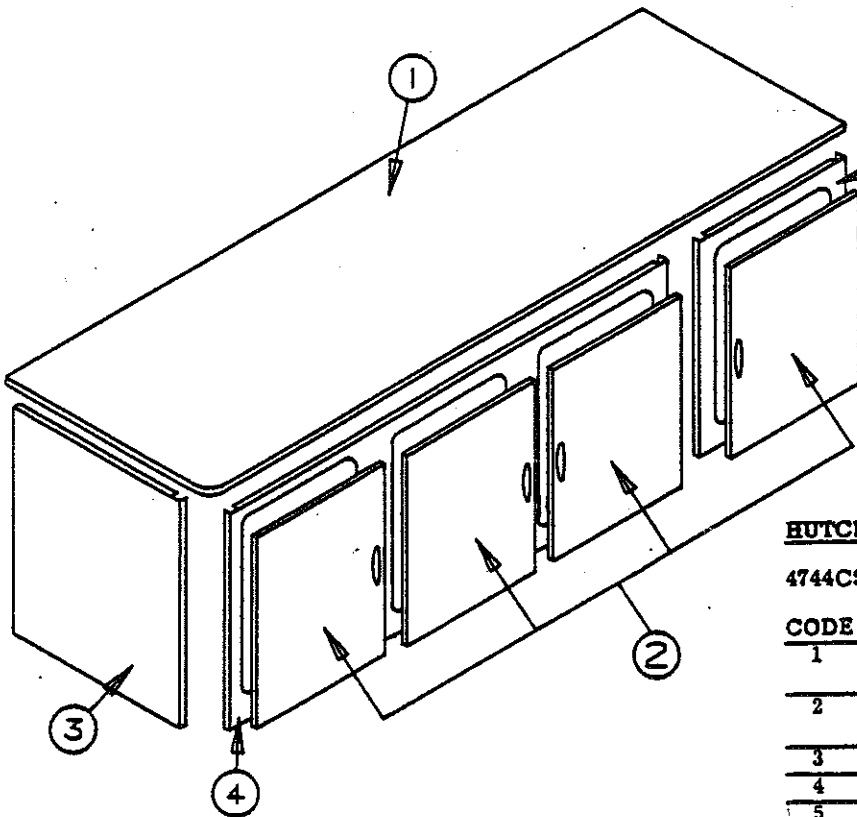
HUTCH ASSEMBLY - 2385

4749-535 Hutch assy complete 2385

CODE	PART NO.	DESCRIPTION
1	4749-0841	Cabinet top
	*4737-8478	Screw, top to cabinet
2	4739F5321	Door assy x2
2A	4749-5361	Door assy x1
	*1203-8951	Rivet, M25 door to cabinet front
3	4749-088	Cabinet side x1
4	4749-085	Cabinet front x1
5	4744A968	Cabinet front x1
6	4749-086	Spacer
6A	4749-087	Spacer
7	4747A800	Trim top & bottom x2

Note: Cabinet door panels are packaged less handles and hinges, predrilled to accept hardware from previous door assembly.

If new Cabinet door panels are required, see below for part numbers.



4739A0508	Door Pull
1022B0818	Screw
4739A0518	Hinge
4739-0528	Screw
4733-6391	Latch and strike package
4716-075	Screw

HUTCH ASSEMBLY - 2393

4744C580 Hutch assy complete - 2393

CODE	PART NO.	DESCRIPTION
1	4716C1831	Cabinet top
	*4737-8478	Screw, top to cabinet
2	4739F5321	Door assy x4
	*1203-8951	Rivet, M25, door to cabinet front
3	4744C190	Cabinet side x1
4	4744C186	Cabinet front x1
5	4744B304	Cabinet front, short x1



CAMPING TRAILERS

1989

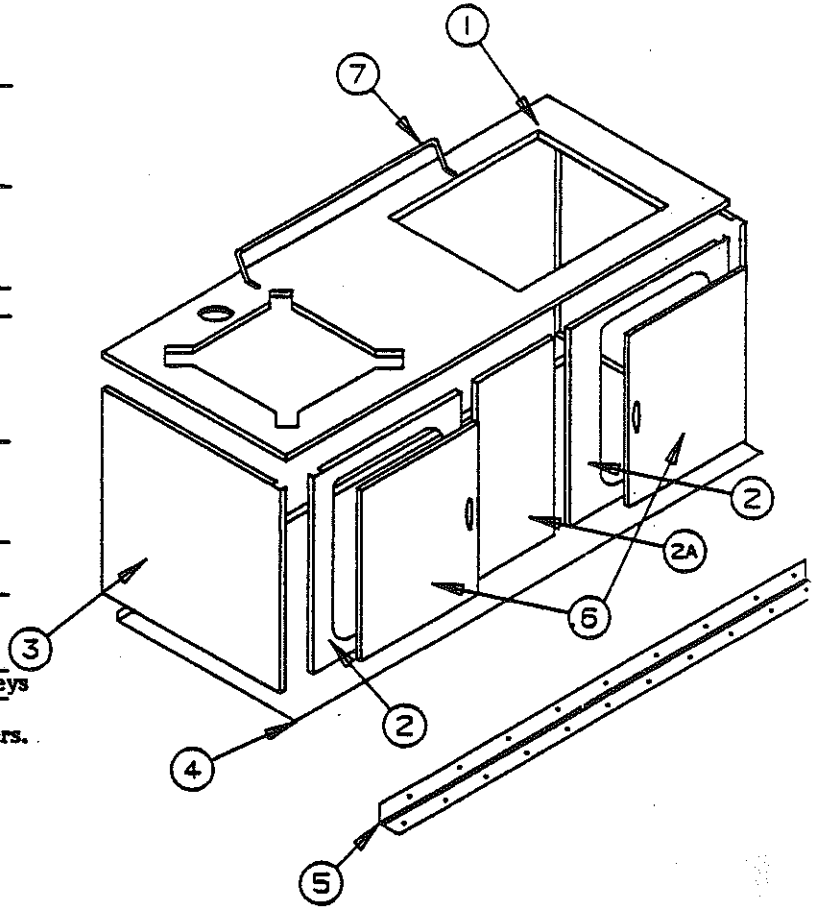
PIONEER SERIES
PARTS LIST

UPPER GALLEY ASSY
LOWER GALLEY ASSY

UPPER GALLEY ASSEMBLIES - PIONEER SERIES

CODE	PART NO.	DESCRIPTION
1	4716H1131	Upper galley top 2367
4716H1151	4744B3591	Upper galley top 2385
	4716D0941	Upper galley top 2393
	*4737-8478	Screw, top to cabinet
2	4741D0561	Cabinet front, left and right (all)
2A	4741C0501	Cabinet front center, 2385
	4744C0971	Cabinet spacer, 2393
	*1203-8641	Rivet, M50
3	4741C0511	Cabinet side, left and right (all)
4	4737E254	Upper galley bottom 2367
	4741C059	Upper galley bottom 2385
	4744B095	Upper galley bottom 2393
	*1203-8641	Rivet, M50
	*406-00-001-53	Edge molding (sold per foot)
5	4737A1061	Galley hinge 2367
	4733B215	Galley hinge 2385
	4744-096	Galley hinge 2393
	*1203-8641	Rivet, M50
6	4737J5171	Door assy (all)
	*1203-8951	Rivet, M25, door to cabinet
7	4734C0841	Towel rack, 22 1/4" (all)
	*4716-052	Bolt
	*1201B6958	Nut
8	*4744-926	Chicken latch (all Pioneer upper galleys)

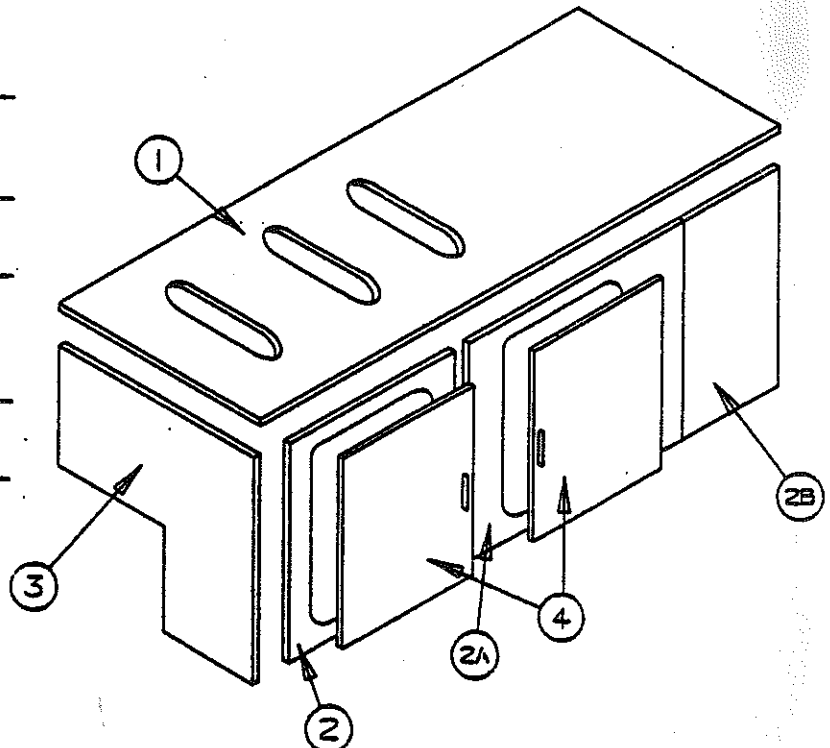
Note: All galley backs for Pioneer Series are special orders.



LOWER GALLEY ASSEMBLIES - PIONEER SERIES

CODE	PART NO.	DESCRIPTION
1	4739G1951	Lower galley top 2367
	4744C3621	Lower galley top 2385
	4739G0121	Lower galley top 2393
	*4716-075	Screw, top to cabinet
2	4744A9831	Cabinet front left 2367
	4744A9801	Cabinet front left 2385
	4744A9651	Cabinet front left 2393
2A	4744A9671	Cabinet front center 2367, 2393
2B	4744A9841	Cabinet front right 2367
	4744A9791	Cabinet front right 2385
	4744A9841	Cabinet front right 2393
	*4733A0601	Rivet, M25 (all)
3	4744A8571	Cabinet side left 2367 (only)
	*4734-4358	Large bushing
	*4739-1258	Small bushing
4	4739F5321	Door assy (all)
	*1203-8951	Rivet, M25, door to cabinet

Refer to page 1 for cabinet door assy components.

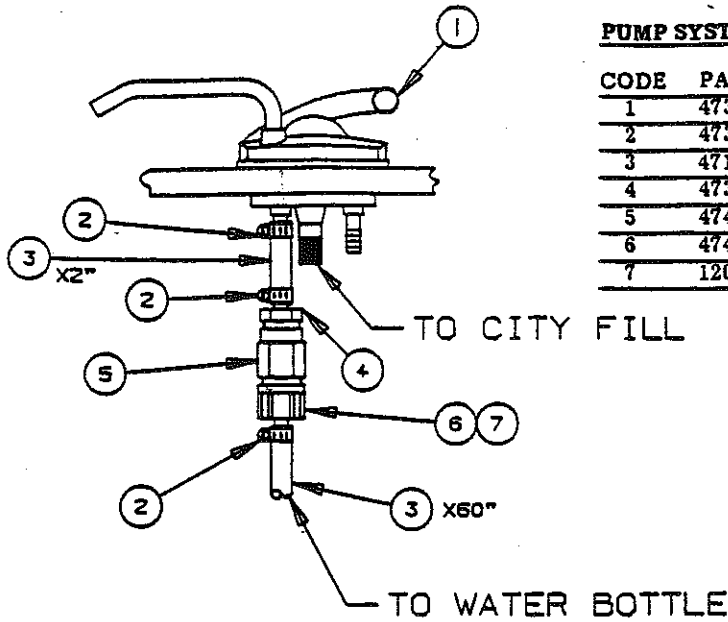


**WATER PUMP SYSTEM
SINK & DRAIN
PORTABLE WATER SYSTEM**

**1989
PIONEER SERIES
PARTS LIST**

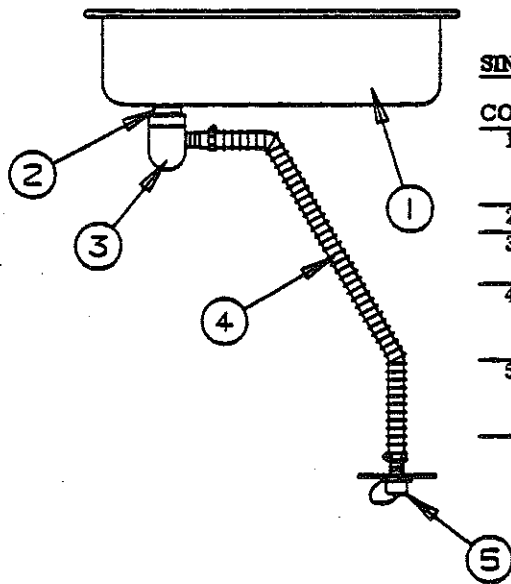


CAMPING TRAILERS



PUMP SYSTEM

CODE	PART NO.	DESCRIPTION
1	4734A0161	Pump
2	4731-3058	Hose clamp x3
3	4714-038	3/8" High pressure hose
4	4732-4561	Adapter
5	4741-9558	Check valve
6	4741-9568	Female adaptor
7	1202-5828	Washer



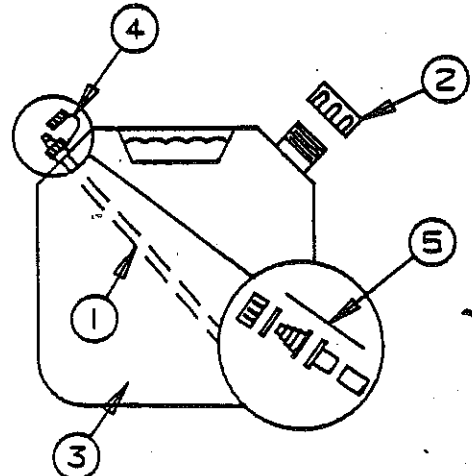
SINK AND DRAIN SYSTEM

CODE	PART NO.	DESCRIPTION
1	4710D0301	Sink, all models
	*4730D3151	Basket and strainer
	*4714B0661	Crumb cup
2	430-00-000-76	Thread sealant
3	4734A0671	Drain trap, M2
	*4739-1088	Hose clamp
4	4714-277	Drain hose, 3/4" ID gray forged loop (sold per foot in multiples of 5' lengths)
5	4734C0681	Drain spout, M2
	*4744-2678	Hose clamp
	*4714-0021	Cap and strap, M2

PORTABLE WATER SYSTEM - PIONEER SERIES

Models 2367, 2385, 2393

CODE	PART NO.	DESCRIPTION
1	4714A0671	Suction stem
2	4714-0231	Large white cap
3	4735-2131	Water bottle complete
	*4735C0988	Water decal
4	4714-0221	Small cap with tie-on
5	4714-0241	Barb stem and collar





CAMPING TRAILERS

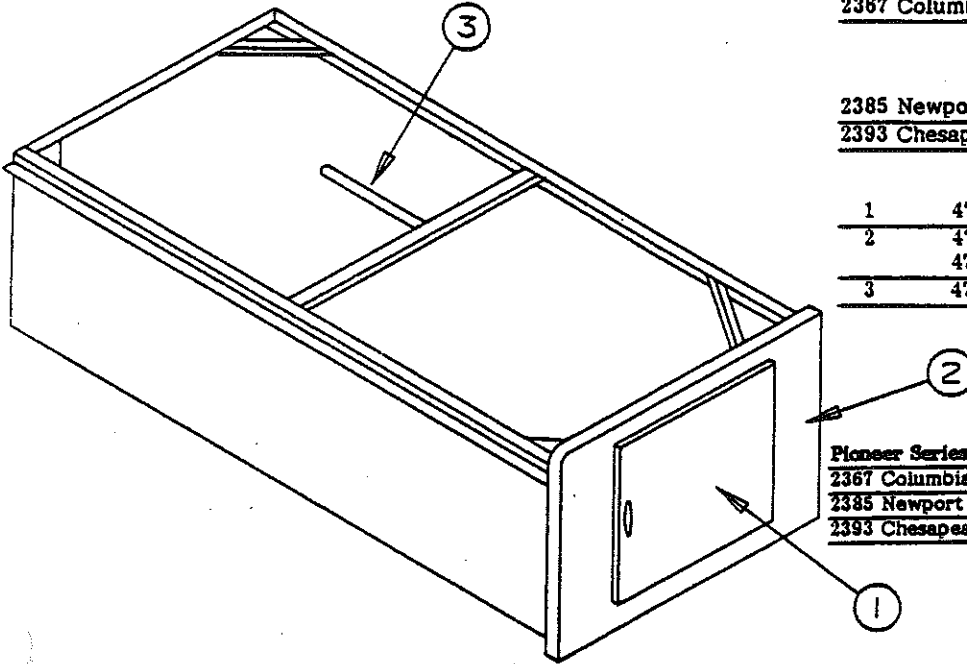
1989

PIONEER SERIES
PARTS LIST

SEAT FRAME ASSY
CUSHION & BACKREST
CONVERTER CAB. ASSY

SEAT FRAME ASSEMBLIES

Pioneer Series	Curbside	Roadside
2367 Columbia	4741F573	4733J5828
	<u>Right</u>	<u>Left</u>
2385 Newport	4744-542	4749-541
2393 Chesapeake	4744E5968	4744E547
1	4749A528	Seat door assy, 2385, 2393
2	4749-097	Seat end, 2385
	4747A843	Seat end, 2393
3	4744-696	Support arm, 2367, 2385, 2393



CUSHION AND BACKREST ASSEMBLIES

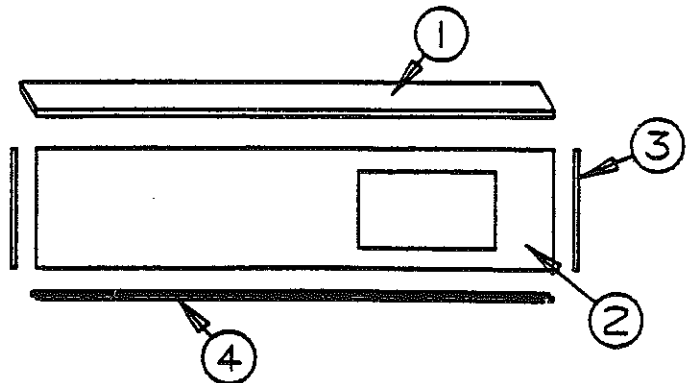
Pioneer Series	CUSHIONS		BACKRESTS	
	Assembly	Cover	Assembly	Cover
2367 Columbia	4744C8021	4714G7351	4744C6051	4714G737
2385 Newport	4749-5441	4716-5441	4749-5451	4716-5451
2393 Chesapeake	4744C6261	4714F9301	4744F5421	4714E931

REFERENCE DIMENSIONS

Cushions	Backrests
39 x 19 1/2 x 3	39 x 16 3/4 x 3
39 x 15 1/8 x 3	39 x 13 9/16 x 3
39 x 19 1/2 x 3	39 x 16 3/4 x 3

CONVERTER CABINET ASSEMBLIES

CODE	PART NO.	DESCRIPTION
1	4744D0231	Converter cabinet top 2367, 2393
	4749-1041	Converter cabinet top 2385
	*4737-8478	Screw, top to panel angle
2	4714D4501	Universal wall panel (48 x 18 1/8") Classic oak
	*4744A024	Panel angle
	*1103B0806	Screw, angle to front panel
3	4741C8971	Corner divider
4	4741B8961	Toe molding
5	*4744B3001	Converter 2367 3 Amp BW
	*4741A5241	Converter 2385, 2393 6 Amp BW
	*4739-4608	Screw, converter to front panel
6	*4733-1651	Power cord 25 ft.
	*1201-8738	Clamp
	*4739-4608	Screw
7	*4735B6901	Heater harness
8	*4744-883	Extension harness 2385
	*4744-564	Extension harness 2393
	*4735B6731	Extension harness, 2367
9	*4734-3658	Strain relief
10		"Romex" wire 14 AWG. (Purchase locally)



4710B3551 - 115 VAC, 15 A. Receptacle box

4714-3411 - Fuse cap M4, (for BW converter)

Note: BW - BW Manufacturing

WHIFFLETREE AND RELATED PARTS

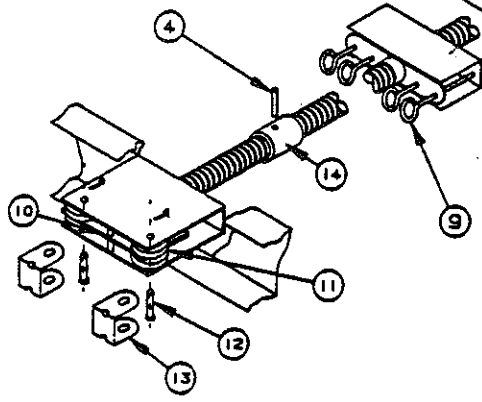
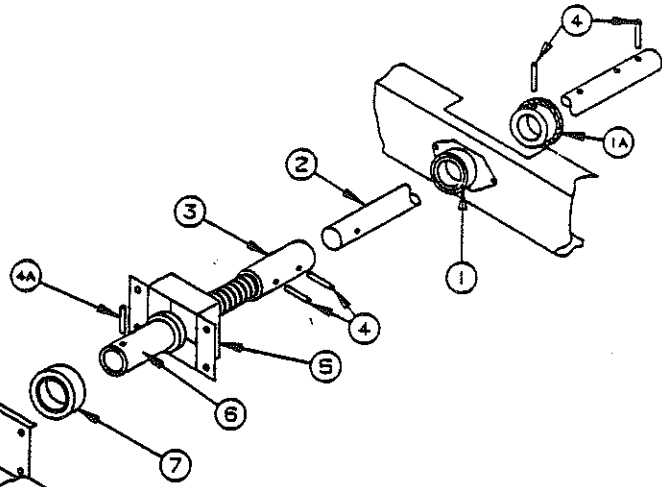
1989 PIONEER SERIES PARTS LIST



WHIFFLE TREE AND RELATED PARTS

4737C5661 - Whiffle tree assy, PIONEER SERIES

CODE	PART NO.	DESCRIPTION
1	4741B8408	Bearing, front cross channel
	1200B3048	Bolt
	1202B0468	Washer
	1201B6068	Nut
1A	4737-1778	Sprocket
2	4737A1191	Whiffle tree ext., 7' models
	4720D1208	Whiffle tree ext., 9' models
	4739A0011	Whiffle tree ext., 11' models
3	4720D1221	Coupling
4	4720B1481	Roll pin, M10
4A	4744A1301	Shear pin, M10
5	4720B2408	Retainer
	*4731-3878	Hex-head bolt
	*1201B6038	Hex nut



CODE	PART NO.	DESCRIPTION
6	4720B2388	Thrust nut
7	4720A2421	Bearing
8	4720B2418	Plate
9	4744-4451	Screw eye, M4
	*1201B6078	5/16 - 18 Locknut x8 (included in 4720E5201 whiffletree assy)
10	4715C5661	Pulley spacer
11	4715A5371	Pulley and bearing, M10
12	4720H1561	Long pin, M5
13	4744A1748	Cable retainer
14	4746-0601	Bushing and pin package
15	*4745A0691	Chain
	*4730A3811	Connecting link

COOKTOP, STOVE, AND COVER

Pioneer Series

CODE	PART NO.	DESCRIPTION
1	4744A2381	Cook top, all except 2393
	4744A2401	Cook top, 2393
2	4739C2871	Stove box, all except 2393
	4739E2931	Stove box, 2393 (includes cooktop, grates, clips, etc.)
3	4741A6261	Stove cover, all except 2393
	4741C6031	Stove cover, 2393

Note: All cooktops and stove covers are "almond" porcelain.

Two-burner stoves in PIONEER SERIES except 2393 (three-burner).

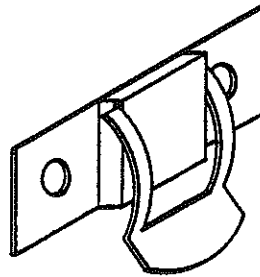
*4744A2648 Warning label

To order repair parts for ELIXIR counter units, please write or phone:

Elixir Industries
Customer Service
640 Collins Road
Elkhart, IN 46516
Phone: 219/294-1651

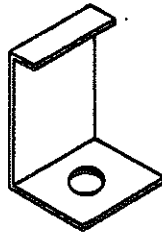
STOVE COVER LATCH

4733-4018 LATCH
1203-8768 RIVET



STOVE COVER STRIKE

4733-4028 STRIKE



15

STOVE FIN STUD

1226D1538 STUD
1203-8768 RIVE.





CAMPING TRAILERS

1989

PIONEER SERIES
PARTS LIST

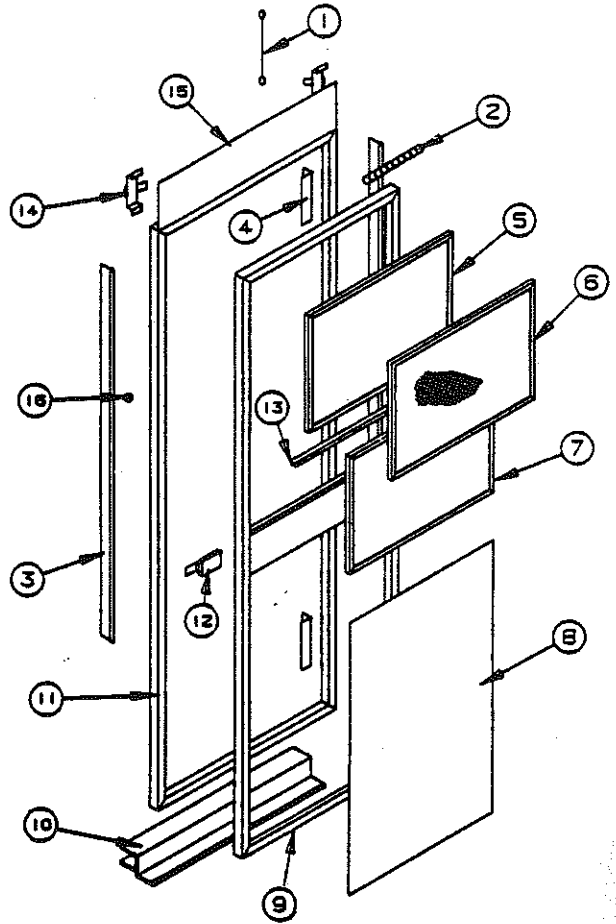
SCREEN DOOR ASSY
CURTAIN PACKAGES
GAS SYSTEM

SCREEN DOOR AND JAMB ASSEMBLIES

PIONEER SERIES

4710R5051 Screen door assy
4710R5091 Screen door jamb assy

CODE	PART NO.	DESCRIPTION
1	4734B5211	Cable assy M6
2	4731A8201	Screen door spring assy
3	4710G4101	Door seal, 46" length
4	4720C3601	Screen door hinge
	*1203-8631	Rivet, M50
5	4710-5061	Sliding panel
6	4710A5011	Screen panel
7	4710-5041	Fixed panel
8	4737A8771	Kick plate
9	4710R5051	Door assy
10	4741B6221	Screen door support assy
11	4710R5091	Door jamb assy
12	4733C4791	Latch assy pkg
	*1202B0268	Washer
13	*406-00-003-85	Weather strip 18" length
14	4741-8658	Sash lock
	*1203-8651	Rivet, M50,
15	4741-883	Top bracket
	*1203-8651	Rivet, M50
16	4730A3548	Stud



PRIVACY CURTAIN PACKAGES AND COMPONENTS

4723-7831	Privacy curtain 2367
	"coral" with vinyl backing
4723B7841	Privacy curtain 2385, 2393
	"essex delft with off/white liner
4725A1981	Curtain tab M100

Note: Privacy curtains optional in all trailers.

Curtain Ties not available on Pioneer Series

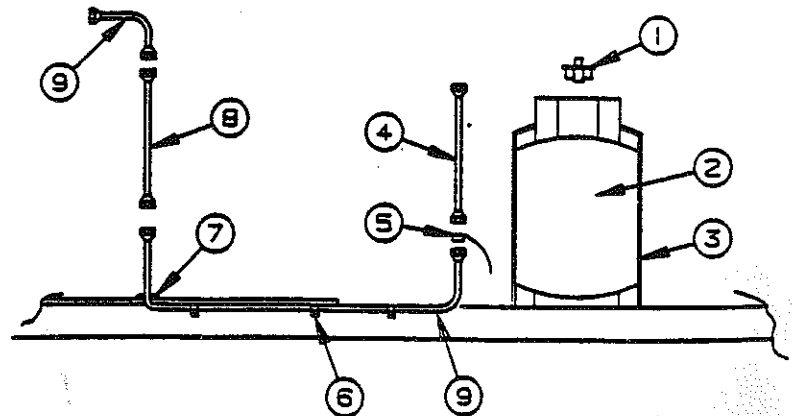
COOLER

Pioneer Series

5248A766 Blue/white 2367, 2385, 2393

GAS SYSTEMS - 2367, 2393, 2385

CODE	PART NO.	DESCRIPTION
1	4739A1291	Regulator
	*4734B3781	Regulator cover
2	4720H5928	Gas bottle
3	4733F6281	Gas bottle mounting pkg.
4	4733A3991	Flexible gas hose
5	4733A3888	Plastic cap w/chain
6	1201-8708	3/8" Tube clamp, rubber-coated
	4739A4258	3/8" Tube clamp, uncoated
	*4737-2558	Tek screw
7	4733A4128	Bushing
8	4730A3431	Flexible gas hose 1/4"-32" long
9	4714-0711	3/8" O.D. copper gas line, 100" length (includes 1 bushing and 2 flared plugs)
	*1215-2418	Flared plug

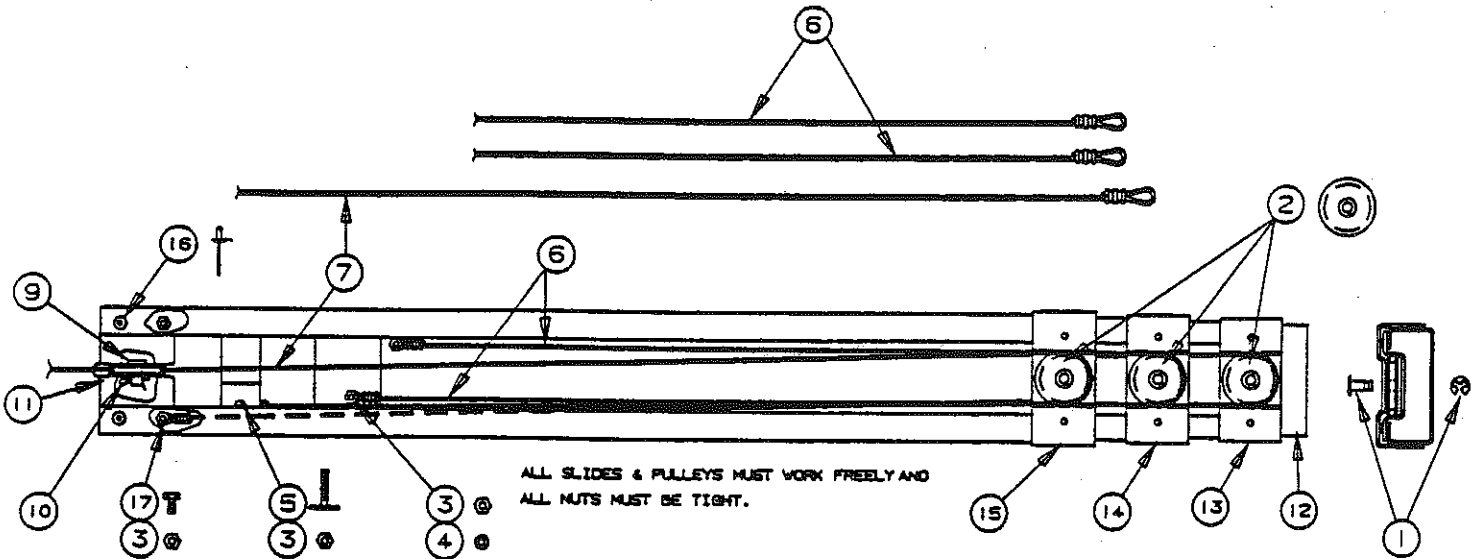


LIFT ASSY
CRANK & SPROCKET

1989
PIONEER SERIES
PARTS LIST



CAMPING TRAILERS



LIFT ASSEMBLIES

- 4739A6801 - Lift assy LF/RR
- 4733D5801 - Lift assy RF/LR

CODE	PART NO.	DESCRIPTION
1	4730F2491	Pin & ring M3 (contains 4730F249 pin and 4730B098 retaining ring)
	*4730B0981	Retaining ring only M12
	*4730F249	Pin Only
2	4715A5371	Steel pulley assy, M10
3	4741-9218	Lock nut x2
4	1202B2638	Spacer x2
5	4737-8178	Bolt 1/4" - 20 x 1"
6	4731-5691	Cable assy x2, 51", M2
7	4733B5901	SS Cable assy long 144", M2
8		
9	4720C1578	Lift pin
10	1204B1081	Cotter pin, M10

CODE	PART NO.	DESCRIPTION
11	4731B5801	Pulley bracket assy
12		TOP LIFT ASSY
	4739A6741	(4739A6801, LF/RR)
	4720D5181	(4733D5801, RF/LR)
13		CENTER LIFT ASSY
	4739A6731	(4739A6801, LF/RR)
	4720D5171	(4733D5801, RF/LR)
14		BOTTOM LIFT ASSY
	4739A6751	(4739A6801, LF/RR)
	4720E5161	(4733D5801, RF/LR)
15	4720G5151	Stationary lift assy
16	1203C8721	Pop rivet M25
17	1006B1618	Machine bolt 1/4" - 20

Note: All cable assemblies come with cable crimps.
4720C1691 Cable crimp for steel cable, M20.
4744-1318 Cable crimp for stainless cable.

CRANK AND SPROCKET ASSEMBLIES

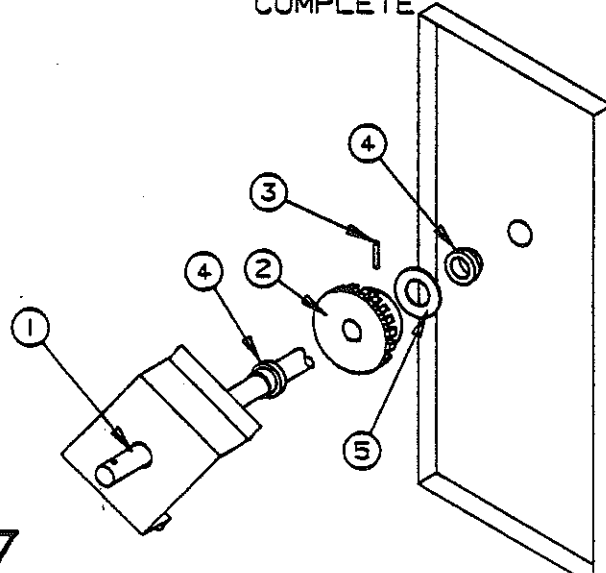
Pioneer Series

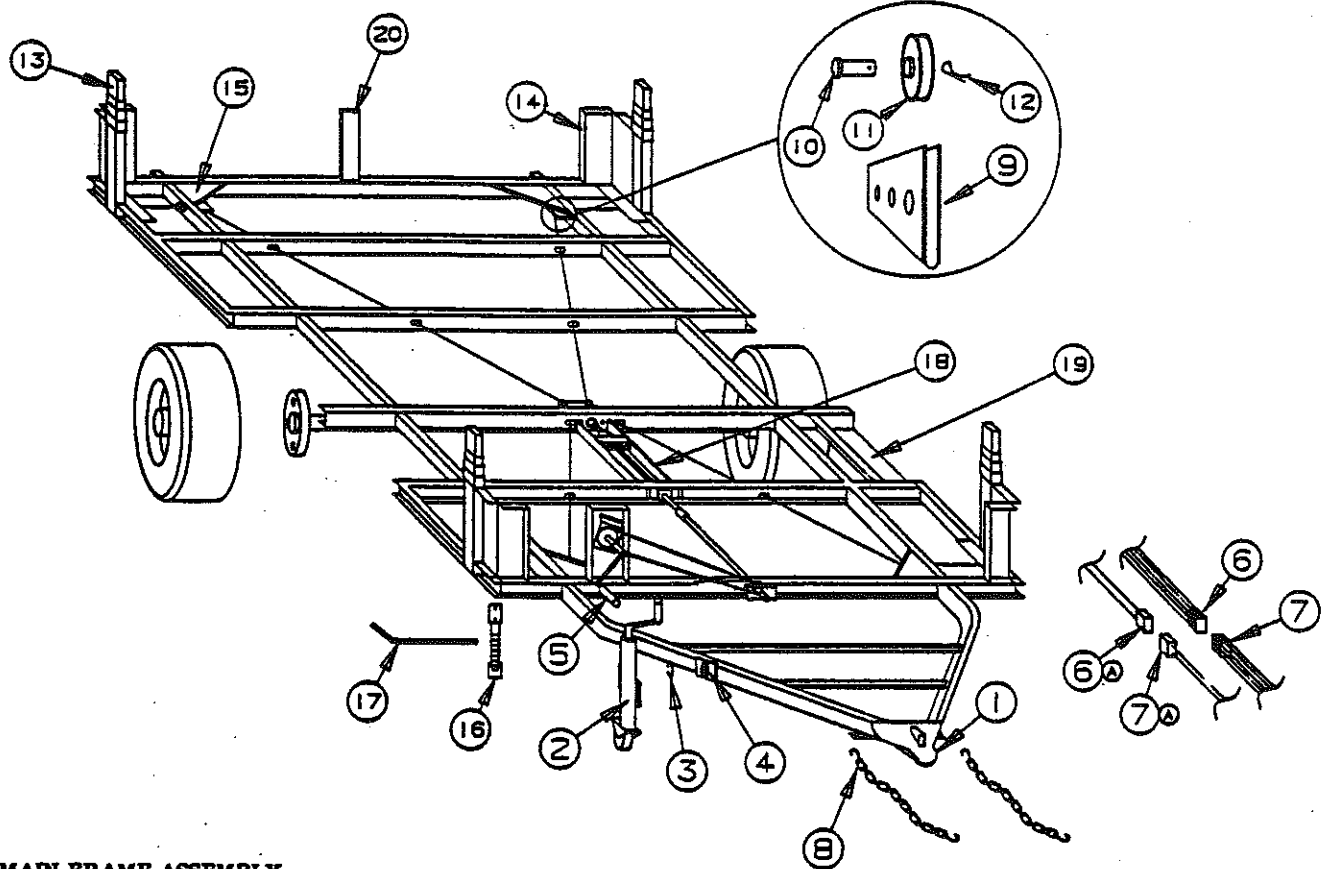
- 4720G5808 Crank and sprocket assy

CODE	PART NO.	DESCRIPTION
1	4730C3408	Sprocket shaft
2	4730B3848	Sprocket (12 tooth)
3	4720B1481	Roll pin M10
4	4730B3828	Bronze bearing
5	1202-2828	Washer
6	*4739B2631	Chain
	*4730A3811	Connecting link
	*4714-0351	Offset connecting link

Mounting Hardware:
4731-3878 Hexhead bolt
1201B6038 Hex nut
1202B0438 Washer

4720G5808
CRANK & SPROCKET ASSY
COMPLETE





MAIN FRAME ASSEMBLY

CODE	PART NO.	DESCRIPTION
1	4730A3561	Coupler assy
	*4714-2211	Coupler repair kit (release)
	*4771-2631	Hitch pin, M5
	*4732A4791	Safety pin, M10
2	4720B6661	Tongue jack assy
	*4716-6661	Tongue wheel, nut and bolt
	*4714-2818	Locking plunger kit
	*4714-2821	Tongue jack handle kit, M2
3	4720A3341	Snap ring
4	4720A3331	Jack bracket
5	4720C5211	Crank handle
6	4735C6751	Wire harness, 6 pin - CT End
	*4714-1991	Wire harness repair kit, M4
6A	4735-6871	Power harness, 2 pin - CT End
	*4734-2388	Wire connector (blue/crimp)
7	4735C6741	Pigtail, M4 - Car End
7A	4735A6721	Extension harness - Car End
8	4720C3031	Safety chain M2
9	4732C3678	Adjustable pulley bracket
10	4720C1578	Short pin
11	4715A5371	Pulley and bearing assy, M10
12	1204B1081	Cotter pin, M10
13	4739A6801	Lift assy LF/RR
	4733D5801	Lift assy RF/LR

Refer to page 17 for the component parts of the lift assy.

CODE	PART NO.	DESCRIPTION
14	4733B1541	Corner bulkhead
	*1203C8751	Rivet, M25
15	4739-246	Corner gusset
16	4720C0731	Stabilizer assy (complete)
	*4714-0261	Foot and spring assy
	*4744-1491	Foot extension
	*4739-2298	Nut (stabilizer assy to gusset)
17	4733C5951	Stabilizer handle, M4
18	4720D2371	Guide channel
	*4731-3878	Hexhead bolt
	*1201B6038	Nut
19	4744-9331	Reefer pan
20	4741A560	Spare tire mount bulkhead assy
21	*4741A3311	Wheelwell assy

Refer to page 4 for axle assemblies and spring details.

WHEEL ASSEMBLIES AND ACCESSORIES

Pioneer Series	Tire & Rim	Tire Cover	Molded Tire Carrier	Hubcap
2367 Columbia	4715A3798	4728C5341		4737-9611
2385 Newport	4730A3878	4728K5101	4749-1351	4714A4441
2393 Chesapeake	20.5x8x10			(pkg of 1)

NOTE: Hubcaps on Pioneer Series trailers are not standard equipment.

Pioneer Series Spare Tire Mount

TOP ASSEMBLIES

PIONEER SERIES (Colonial White)

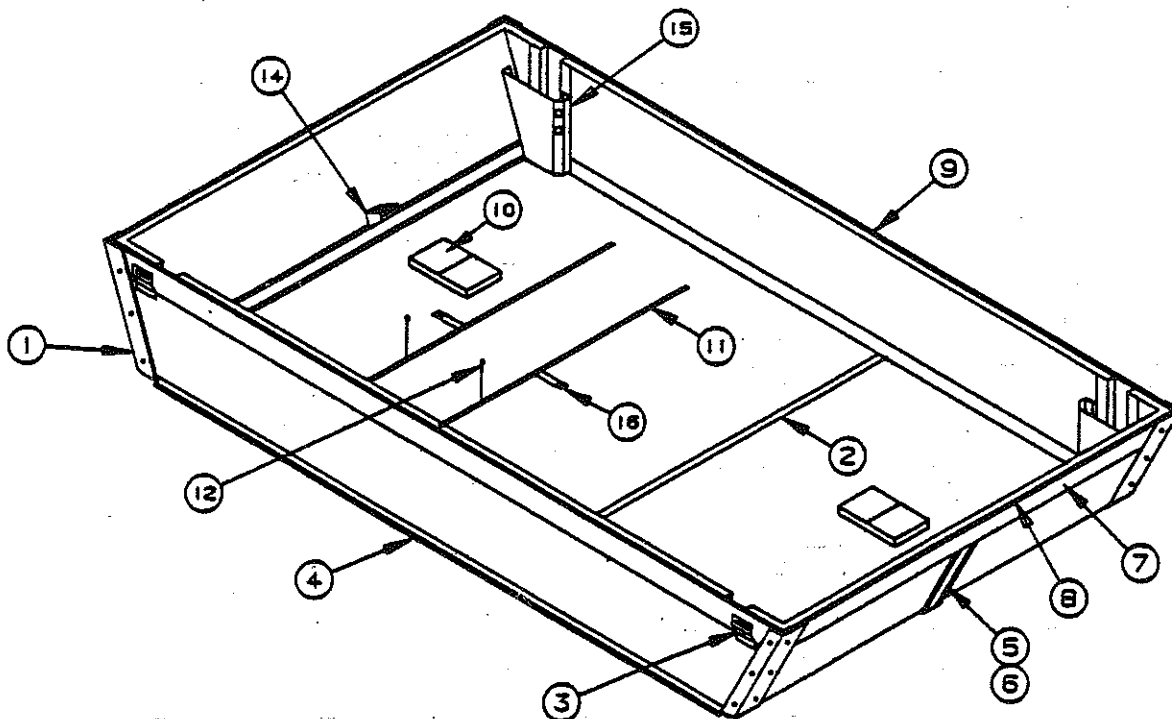
4739E6641 - Top assembly 2367

4744C5231 - Top assembly 2385

4744C5241 - Top assembly 2393

CODE	PART NO.	DESCRIPTION
1	4741B1981	Top corner RR/LF
	4741B1991	Top corner LR/RF
	*4741B9368	Screw
2	4741B1141	Trim strip (74" length)
3	4715B2091	Strike, M4
	*4744-2468	Screw
	*1201B6958	Nut
4	4728B191	Canopy track 2367
	4728B207	Canopy track 2385
	4728B208	Canopy track 2393
	*4741B9368	Screw
5	4741A303	Center seam extrusion 7' models
	4741A312	Center seam extrusion 9' models
	4741A2319	Center seam extrusion 11' models
6	406-00-000-96	Center seam vinyl screw cover
7	406-00-003-99	Top seal (black)
8	4741B213	Top seal extrusion, front and rear
	*1103E1018	Screw

9	4741B268	Top seal extrusion side 7' models
	4741B3141	Top seal extrusion side 9' models
	4741B188	Top seal extrusion side 11' models
	*1103E1018	Screw
10	4737E5911	Dome light comp. Progressive
	4714D0891	Dome light lens Dynamics
	*1103B1028	Screw
	*4734-2388	Wire connector
11	4733E4711	Screen door track
	*4744-4611	Rivet, M25
12	4734B5211	Screen door cable assy M6
	*1203-9258	Accordion rivet, plastic
13	*4741-8841	Screen door retaining bracket
	*4733-4138	Screw
	*435-00-000-07	Velcro hook, adhesive-backed
	*4745C5541	Screen door storage bracket
	*4741B9368	Screw
14	4741C1131	Canvas support bracket
	*4741B9368	Screw
15	4741D3541	Lift cover CSF and RSR
	4741E1281	Lift cover CSR and RSF
	*4716-0770	Screw
	*4741C3558	Hole plug
	*435-00-000-07	Velcro hook, adhesive-backed
16	4723A5061	Screen door safety strap
	*4730A3548	Stud
	*4741B5431	Lift pocket
	*4737-3211	Rubber button (white) M8



**1989****PIONEER SERIES
PARTS LIST****RIVETS, PAINT
MISCELLANEOUS****CAMPING TRAILERS****Pop Rivets** (Equivalent may be purchased locally from hardware store.)

Rivet No.	Pkgd	"B" Dia.	"C" Dia.	"L" Length	Color	Typical Usage
1203-8678		1/8	1/4	1/2	Alum.	Upper galley, stud to cooktop, latch to stove cover
1203-8951	M25	1/8	1/4	3/8	Black	Doors to cabinets, latch to latch support
1203-8631	M50	5/32	1/4	1/2	Alum.	Screen door assembly, bed extensions
4741B9861	M25	5/32	1/4	1/2	ColW	Curtain track to body rail, screen door hinge and strike
1203-8641	M50	3/16	3/8	1/2	Alum.	Rail to body panel, chest of drawers cabinet, corner bulkheads, bed assemblies, upper galley bottoms
1203-8651	M50	3/16	3/8	3/4	Alum.	Taillight ground, drawer slides, bed assemblies, screen door, wheel well
1203-8741	M25	3/16	3/8	3/4	Alum.	Lashing hooks, taillight mounting, marker lights, bed assemblies, screen door
1203-8831	M25	3/16	5/8	5/8	Alum.	Chest of drawers cabinet, screen door cable
1203-8841	M25	3/16	5/8	15/16	Alum.	Bed support clips, rail to bulkhead, wheel well
1203-8861	M25	3/16	5/8	15/16	Brown	Wall panel to tire mount
1203-8978		3/16	3/8	1/2	Alum.	Access door bulkhead (countersunk)
1203C8721	M25	3/16	5/8	11/16	Steel	Swing arm assembly, lift assembly, rail to support plate
1203C8751	M25	3/16	3/8	7/16	Steel	Corner bulkhead to frame
4733C0601	M25	3/16	3/8	1/2	Col W	Access door cap, corner miter covers
4733A0601	M25	3/16	3/8	1/2	Beige	Latch support to cabinet, support arm to seat, body corners to pnls
4734-1861	M25	3/16	3/8	3/4	Brown	Fire extinguisher holder, seat frame assemblies, lower galley assemblies
4734B1861	M25	3/16	3/8	3/4	Beige	Rail to body panel, sash lock and bracket
4744A330		3/16	5/8	15/16	Beige	Body rail to door bulkhead

Expansion Rivet

4744-4611	M25	5/32	7/16	13/16	Alum.	Screen door track, body panels to frame, gas line clamp
-----------	-----	------	------	-------	-------	---

Note: This table reflects the general usage of the rivets used in our trailers. It does not include all rivets in the parts catalog. Please refer to individual assemblies to find any specific rivet that is needed.

TOUCH-UP PAINT**16 oz. Spray Quart Can****1989, 1988, 1987, 1986 & 1985 Models**

Kansas Beige	0008-2461	4714-3731
Black	0008-2471	
Colonial White	0008A2441	4714-3741

1984 Models

Harvest Beige (dark)	0008-2451	4714-2641
Kansas Beige (light)	0008-2461	4714-2631
Chocolate Brown	0008A2431	
Colonial White	0008A2441	

KITS

4714-3711	Faucet repair kit
4714A2531	Faucet connection kit

PARTS PACKAGES

4739D6591 Parts package, 2367, 2385, 2393

SEALANTS, ETC.

0008C3121	Penetrating lubricant
4714-2171	Dry-clean pad, M5
4737A2838	Cashmere caulk
4737B2838	Colonial white caulk

STABILIZER FOOT EXTENSION

4744-1491 Extension required with 13" tires

WHEEL WELL ASSEMBLY

4741A3311

OTHER PACKAGES

4733C6701	Auto extension (standard on 2395)
4741A6561	Spare tire mount (PIONEER SERIES)