

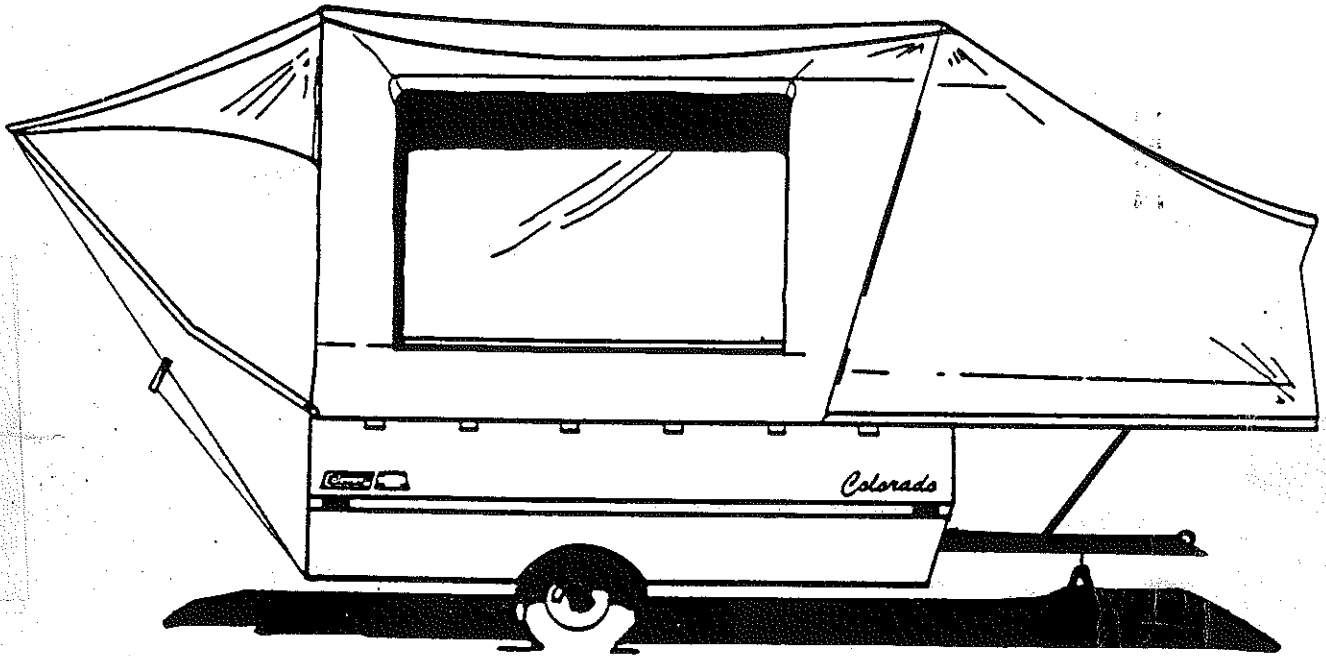


CAMPING TRAILERS

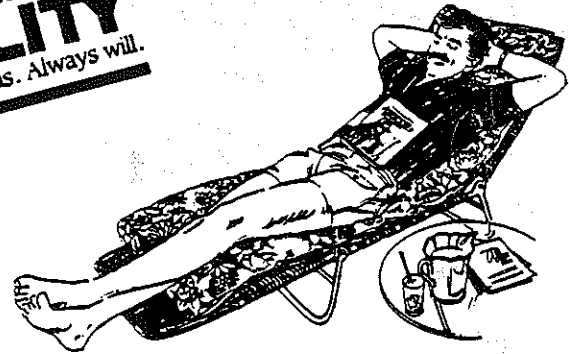
1989

Colorado

2355 7'



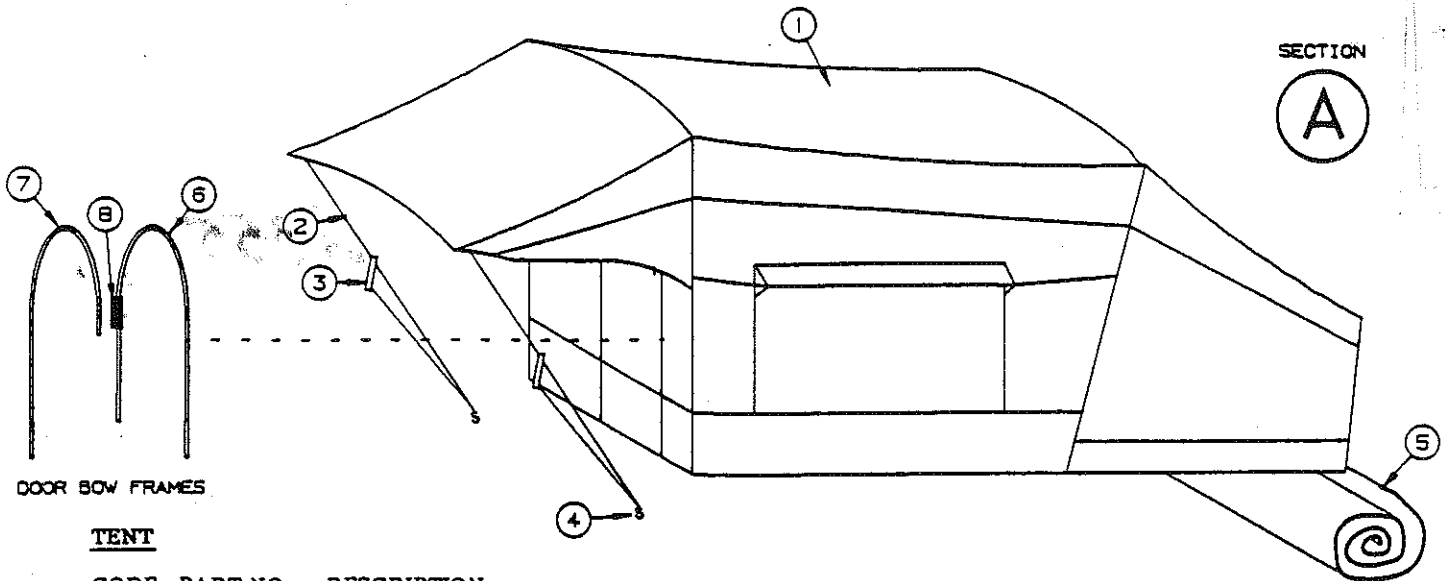
Coleman means
QUALITY
Always has. Always will.



TENT ASSY
FURNITURE
TABLE ASSY

1989
COLORADO
PARTS LIST

Coleman® 
CAMPING TRAILERS

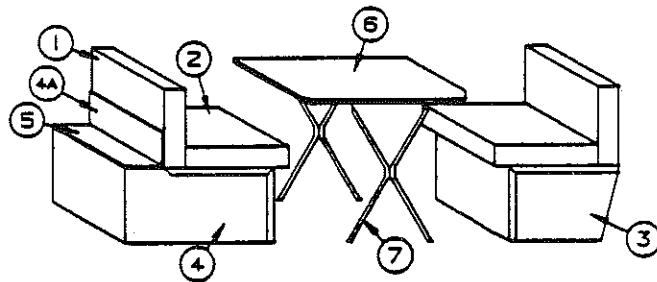


DOOR BOW FRAMES

TENT

CODE PART NO. DESCRIPTION

1	4716-7801	Evol assembly
2	8460A1431	Poly rope
3	4724B3931	Rope adjuster (wood)
4	4716-073	"S" hook
5	4724B7931	Tarp assembly
6	4743B1791	Door frame bow
7	4743A5461	Door bow w/clip
8	4743A1751	Tent door hinge
	*1203-8641	Rivet M50
	*1014B1028	#10 x 1 1/4 Screw
	*4743-2968	#10 x 2 Screw
	*1201E6398	#10 Lock nut
	*4749A1081	Vinyl protector
	*4743A215	Door lock bracket
	*1203-8641	Rivet, M50
	*4743-2841	Door latch
	*4743A2821	Shaft
	*1201E6398	Nut
	*4743-2838	Spacer



SECTION:

B

FURNITURE

CODE PART NO. DESCRIPTION

1	4743-5661	Backrest assembly x2
	*4716-5661	Backrest cover
2	4743-5651	Cushion assembly x2
	*4716-5651	Cushion cover
	*4710-2681	Nylon stop button, M5
	*4731-3878	Bolt
3	4743B549	Seat assembly front, complete
	4743B211	Wood panel front
	4743B216	Wood panel end
4	4743C547	Seat assembly rear, complete
	4743B217	Wood panel front
	4743C208	Wood panel end
4A	4743A550	Backrest support
5	4743A207	Cabinet top
	*4743B209	Wood panel front
	*4734-1861	Rivet, M25
	*1202B0268	Washer
	*661-00-072-22	Floor covering

TABLE

CODE PART NO. DESCRIPTION

6	4716-4521	Table top
7	4745-5271	Table leg assembly, M2 (w/all hardware required)
	*4744-6971	Lock brace package
	*4720B5951	Table strap assembly 8", M4
	*4720B3928	Table leg cap
	*4720D4021	Lashing hook, M6
	*4737-8488	#10 X 5/8 Screw
	*4730C1288	Support rod
	*1201B7078	Pal nut

COLORADO ACCESSORIES

4743-5561	Colorado Rear Stabilizer Kit
4743-6001	Spare Tire Mount
4743-5541	Colorado Shelf Pkg

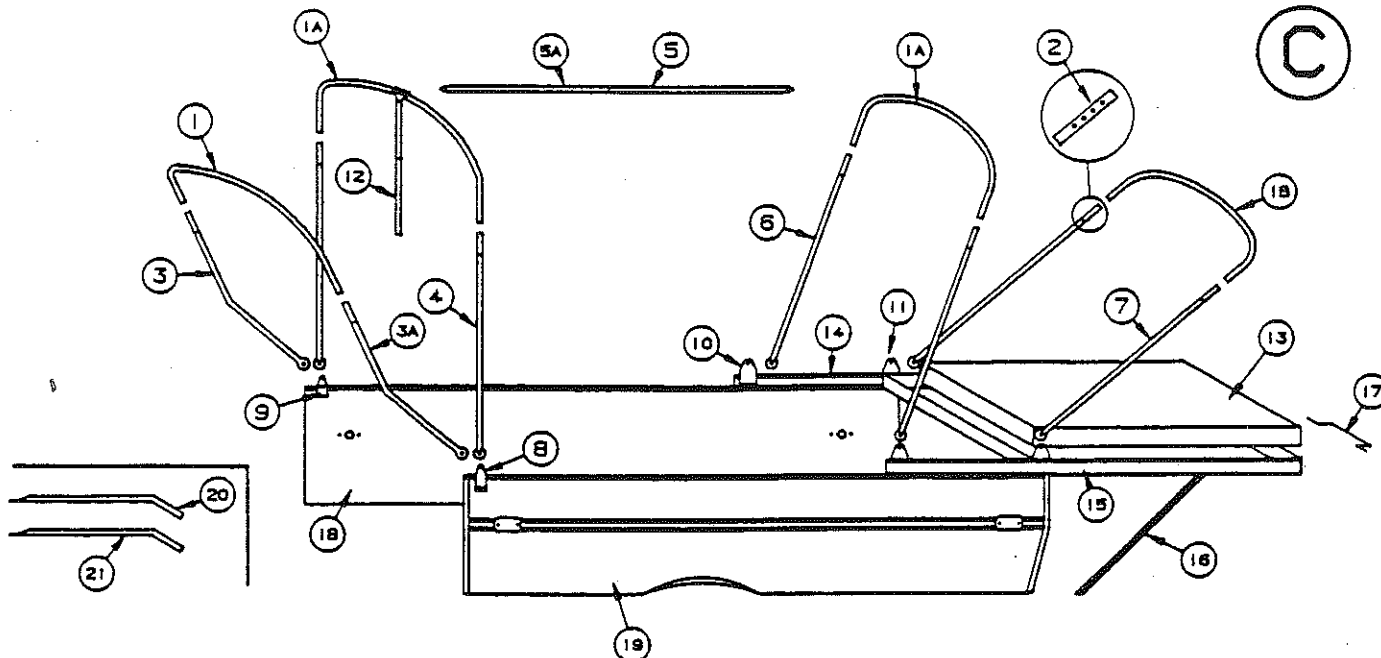


CAMPING TRAILERS

1989
COLORADO
PARTS LIST

BOWS, SUPPORTS,
AND POLES ASSY
BODY PANELS ASSY

SECTION



BOWS, SUPPORTS, AND POLES (rear to front)

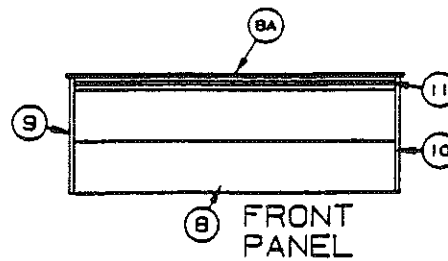
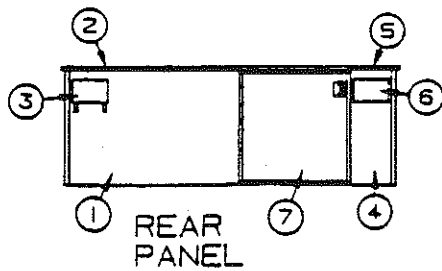
CODE	PART NO.	DESCRIPTION
1	4743A2531	Canopy bow
1A	4743B2461	Upper tent bow x2
1B	4743C0471	Upper tent bow x1
2	4743B5591	Support inner assembly x8
	*4734-6708	Spring
3	4743A1841	Lower canopy support left
3A	4743A2471	Lower canopy support right
	*4716-050	#10 x 1/2 Screw
4	4743C2481	Lower tent support rear x2
	*4716-050	#10 x 1/2 Screw
	4743B5521	Inner pole assembly
5A	4743C5511	Outer pole assembly
6	4743C1831	Lower tent support front x2
	*4716-050	#10 x 1/2 Screw
7	4743C2491	Lower tent support x2
	*4716-050	#10 x 1/2 Screw
8	4743A538	Canopy bow bracket x2
	*4716-050	#10 x 1/2 Screw
	*4743-2788	Nylon spacer
9	4743B537	Rear bow bracket x2
	*4733-4138	#8 Tek screw
10	4743D539	Bow bracket x2
	*4733-4138	#8 Tek screw
11	4743B560	Bow bracket x2
	*4733-4118	#8 Tek screw
12	4743A2941	Door support assy
13	4724D7831	Mattress assembly
	*4714B3641	Mattress cover
	*406-00-003-39	Bed seal (6 ft.)
14	4743A5571	Bed slide left
	*4743-165	Bed latch left
	*4743A255	Latch spring left
	*4716-058	#10 x 3/8 Screw
	*1201B6928	#10 Keps nut
	*1203-8651	Rivet, M050
	*420-01-000-06	PVC Slide extrusion in 6 ft. lengths

CODE	PART NO.	DESCRIPTION
15	4743A5581	Bed slide right
	*4743-169	Bed latch right
	*4743A254	Latch spring right
	*4716-058	#10 x 3/8 Screw
	*1201B6928	#10 Keps nut
	*1203-8651	Rivet, M50
	*420-01-000-06	PVC Slide extrusion in 6 ft. lengths
16	4743-5441	Bed support assembly x2
	*1202B2528	Washer
	*4739A2908	Screw cap
	*4739-2918	Screw cap washer
	*4737A4178	Support plate
	*4720C0771	Support clip, M4
	*1203-8831	Rivet, M25
17	4744-8321	Bed frame handle
	*1017B1018	#10 x 5/8 Screw
	*1201B6928	#10 Keps nut
18	4743C0651	Left panel assembly
	*4743A0321	Left rail
	*1103E1018	#10 x 5/8 S.S. screw
	*4716-524	Trim Tape, 8' required
19	4743C0641	Right panel assembly
	*4743A0331	Right rail
	*1103E1018	#10 x 5/8 S.S. screw
	*4716-524	Trim tape, 8' required
	*4733G1311	Socket and harness
	*4741B9368	Screw
	*4714E0841	Amber lens
	*4714E0851	Red lens
	*4714-3701	Bulb (#304), M4
	*4743-1971	Tent latch
20	4743B2441	Tarp support (used with 4743B5521 inner pole assembly)
21	4743B2561	Tarp support (used with 4743C5511 outer pole assembly)

NOTE All panels are shipped less trim tape and decals. Must order separately.

REAR BODY PANEL
ACCESS DOOR
FRONT BODY PANEL

1989
COLORADO
PARTS LIST



REAR BODY PANELS

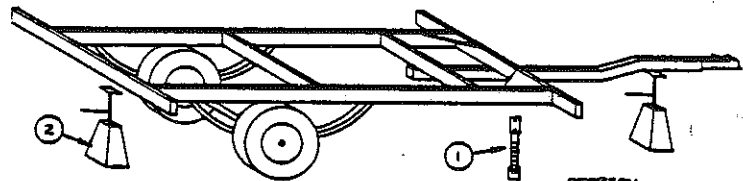
CODE	PART NO.	DESCRIPTION
1	4743C5231	Left rear panel assembly
2	4743A0281	Left rear rail
	*1103E1018	#10 x 5/8 S.S. Screw
	*4745A1908	Coleman logo
	*4743C1608	Colorado decal
	*4743-202	Door frame left
	*4716-069	#10 x 3/4 Screw
	*4743B541	Tent door bow bracket
	*4733A0601	Rivet, M25
	*4743-242	Tarp support bracket
	*1203-8651	Rivet, M50
3	4743-1311	Taillight assembly complete
	*4714A0881	Taillight lens
	*1203-8651	Rivet, M50
	*4743-1971	Tent latch
	*4743C0761	Rear corner angle
	*406-00-000-96	Vinyl screw cover
4	4743B5451	Right rear panel assembly
5	4743A0291	Right rear rail
	*4743-201	Door frame right
	*4716-069	#10 x 3/4" Screw
	*4743B542	Tent door bow bracket
	*4733A0601	Rivet, M25
6	4743-1321	Taillight assembly complete
	*4714A0871	Taillight lens
	*1203-8651	Rivet, M50
	*4743-1971	Tent latch
	*4743C0761	Rear corner angle
	*406-00-000-96	Vinyl screw cover

ACCESS DOOR

CODE	PART NO.	DESCRIPTION
7	4743C5071	Door panel assembly
	*4743A0611	Door rail
	*1103E1018	#10 x 5/8 S.S. screw
	*4743-2621	Door handle
	*4743-1971	Tent latch
	*4714-3621	Key, M2
	*4743A062	Door trim right
	*4743-199	Door trim left
	*4743-200	Door trim bottom
	*4743B063	Door hinge
	*4716-069	#10 x 3/4 screw
	*4743A543	Tent door bow bracket
	*1201E6128	Acorn nut
	*1203-8651	Rivet, M50
	*4743-242	Tarp support bracket
	*1203-8651	Rivet, M50

FRONT BODY PANEL

CODE	PART NO.	DESCRIPTION
8	4743C5261	Front panel assembly
8A	4743-2381	Front rail
	*1103E1018	#10 x 5/8 S.S. screw
9	4743C1881	Left front corner angle
10	4743C1871	Right front corner angle
	*4716-077	#10 x 3/4" screw
	*406-00-000-96	Vinyl screw cover
11	4743-277	Tarp track
	*1103E1018	#10 x 5/8 S.S. screw



FRAME

CODE	PART NO	DESCRIPTION
	*4714-0151	Coupler assembly, welded
	*4714-2211	Coupler repair kit
1	4720D0731	Stabilizer assembly x2
2	4737-8791	Stack jack x2
	*4743B5351	Wire harness
	*4743B5301	Parts package
	*4735C6691	Pigtail
	*4720C3031	Safety chain, M2
	*4771-2631	Safety pin, M5
	*4732A4791	Hairpin cotter, M10
	*4746A0231	Stabilizer handle
	*4743B5081	Wheel well assembly
	*1103E1018	#10 x 5/8 S.S. screw

AXLE

PART NO.	DESCRIPTION
*4743A503	Axle assembly complete
*4743B5021	Axle beam
*4738-0981	Spring
*4737A1318	Shackle bolt
*4741-8458	U-bolt plate
*4741-8438	U-bolt
*4741-9358	U-bolt nut
*4738A0451	Hub assembly
*4714A2201	Grease seal, M4
*4714-2231	Bearing
*4714-2221	Race
*4714-3068	Castle nut
*1204-1268	Cotter pin
*4714-0621	Grease cap, M4
*4715A3798	Tire and rim
*1200B5501	Lug bolt, M4



NOTE: All panels are shipped less trim tape and decals. Must order separately.