

1988

13'

#2299

# PLANTATION



1988 REPAIR PARTS & ACCESSORIES

NO. 12R



# ACCESSORIES

# 1988 PARTS LIST



# CAMPING TRAILERS

## ACCESSORIES AND REPAIR PARTS

### Air Conditioner, T.S.R. Mach III - 6759C707

6759B716 Ceiling asy with heat strip  
(required with air conditioner)

### Air Conditioner Installation Kit - 4737A9761

4737-974 Top brace assembly x2  
1103E1018 #10 x 5/8 Screw x4  
1201-8658 3/4" Cable clamp x5  
1202B0268 Washer x2  
4724-2608 Nylon recessed bumper x2  
4734-3898 3/4" Bushing  
4741-4971 Screen room bumper M6, x2  
4744-904 Right angle 20AMP plug gray x1  
4744A9291 Power cord x1

### Canopy, Burgundy and Gray - 4723B7481

4723B747 Canopy only  
4716-067 #6 x 3/8 Screw x2  
1201B7078 Pal nut x6  
1201B7338 Pal nut x2  
1225-4191 Ziplin pull, M5  
4720A2361 Support rod x3  
4724-2558 12" Hook stake x3  
4724A332 Outer pole x3  
4724A333 Inner pole x3  
4724A3931 Rope adjsuter x3  
4734-6708 Spring clip x6  
4737A4258 Canopy end cap x2  
4737A9641 Canopy support x1  
4737B137 Upper pole x3  
4737D146 Lower pole x3  
4741-4971 Sreem room bumper M6, x3  
665-05-000-27 Chain Zipper  
8470-1728 Blue pin x3  
8470-1748 1" Red cap x3  
8470-2258 Blue pin x3

### Furnace, Hydro-Flame, 20,000 BTU - 4737-9661

### Furnace Kit, Hydro-Flame - 4745-6491

### Gas Bottle Cover - 4724D6441

1225-0148 13" No. 5 nylon zipper pin half  
1225-0158 13" No. 5 nylon zipper slider half with pull  
406-00-000-12 No. 4 polyester cord x5'

### Luggage Rack - 4737-9631

4737-962 Luggage rack rail x2  
4739B6901 Rail support assembly x4  
4716-051 #10 - 24 x 1 1/2" S/S screw x8  
4716-065 #10 x 1" S/S screw x8  
1200E1458 1/4 - 20 x 2 1/2" S/S screw x8  
1201E6128 1/4 - 20 Acorn nut x8  
1201E6398 10-24 S/S lock nut x8  
4737A9038 3/16 x 2 1/2" neoprene pad x4  
4716-073 S-hook x6  
4744-2708 Gutter clip x2  
406-00-218-01 Polypropylene rope  
435-00-000-91 1/8 x 2" Neoprene rubber

### Privacy Curtain, Blue - 4723A7671

4745A1981 Curtain tab, M100

### Screen Room, Burgundy and Gray - 4723A7491

Requires 4723B7481 Canopy  
4724-7941 Screen room bag

1225-4181 No. 5 zipper pull (double) M5  
1225U3638 44" No. 5 zipper slider half x2  
1225U3648 44" No. 5 zipper pin half x2  
406-00-000-12 Polyester cord  
4720D4021 Lashing hook M6, x2  
4724-2011 Shock cord clamp M10, x4  
4724A2558 10" Hook stake x11  
4716-073 S-hook x2  
4714B6021 14' Shock cord pkg M2  
4714D1611 54" x 3 yds Screen package  
4714-0361 54" x 13 yds Screen package  
435-00-000-02 3/4" Velcro loop, beige  
435-00-000-04 3/4" Velcro loop  
435-00-000-07 3/4" Velcro hook, beige  
435-00-002-02 2" Velcro loop  
655-05-000-28 #5 Chain zipper  
Spare Tire, B78-13, Load range "C" - 4745A1658  
Spare Tire Cover, Burgandy - 4723B7731

NLA

### When ordering repair parts, please note:

To expedite your repair orders, please order by Coleman part number and the description shown in this parts catalog. If unable to find the part in this catalog, please state the model number and serial number (if known) of the trailer; describe the part; state where it is used; and, if necessary, state if on curbside, roadside, front or rear of trailer.

### Symbols used in this catalog:

"\*\*" - Not shown on drawing.

"x2" - Items showing "x2", etc., indicate they are used times two on the assembly. They are sold one to a package.

"M4" - Items marked "M4", etc., indicate they are packed four to a package and are shipped only in packages of four. They are priced per unit. When ordering, please specify the total quantity you require - not the number of packages.

Note: All seven digit numbers are not necessarily sales stock items and may take slightly longer to obtain from the factory.

### Minimum Order Requirements

Minimum order requirements for parts and/or accessories is \$25. Orders for less than \$25 will be assessed a \$5 handling charge.



# 1988 PARTS LIST

CAMPING TRAILERS

TABLE OF CONTENTS

### HYDRO FLAME FURNACE - 20,000 BTU

4737-9661 Hydro Flame furnace

All warranty service and parts procurement for this item will be handled directly by:

Hydro Flame Corporation  
1874 Pioneer Road  
Salt Lake City, Utah 84101  
Phone: 800/654-4614

Note: Refer to manufacturer's number FA7290P.

### WATER HEATER - QUICK RECOVERY

4741-5531 Water heater

All warranty service and parts procurement for this item will be handled directly by:

Attwood Mobile Products  
4750 Hiawatha Drive  
Rockford, Illinois 61106  
Phone: 815/877-7641

Note: Refer to model G6-SM.

### REFRIGERATOR

4745-171 Refrigerator

All warranty service and parts procurement for this item will be handled directly by:

Dometic Sales Corporation  
(Refer to your factory authorized service center list for address and phone number.)

Note: Refer to model RM2200.

4746-2461 POTTI, 2299

### **NOTE:**

Body color	Colonial white
Top color	Colonial white
Woodgrain	Bayview birch
Countertop	Gray linen
Tent	Evolution III

### DESCRIPTION

### PAGE NUMBER

Access door assembly .....	4
Accessories .....	1
Axle assembly .....	6
Backrest assemblies .....	8
Bathroom wall assemblies .....	15,16
Bathtub system .....	14
Bed assemblies and components .....	5
Body panel assemblies	
Front .....	7
Rear .....	8
Right rear .....	9
Right front .....	9
Left .....	10
Bumper assembly .....	21
Cabinet assemblies	
Galley .....	12
Wardrobe .....	11
Bathtub .....	14
Drawer .....	18
Cabinet door hardware .....	12
Converter cabinet assembly .....	20
Coupler .....	21
Cushion assemblies .....	8
Dinette table .....	10
Drain system .....	3
Drape and curtain package .....	9
Electric brakes .....	6
Electrical system .....	20
Evolution tent section .....	7
Fire extinguisher .....	21
Floor plan .....	3
Furnace .....	2
Gas system .....	14
Lift assemblies .....	18
Light switch .....	20
Mattress assemblies .....	5
Miter covers .....	9
Miscellaneous .....	21
Paneling and trim .....	21
Parts package components .....	21
Raising system .....	17
Rivets .....	11
Safety switch .....	20
Screen door and jamb .....	13
Sink and drain system .....	12
Stabilizer .....	21
Step door light .....	4
Step down light .....	21
Stove components .....	13
Tent support assemblies .....	5
Tire and rim, hubcap .....	21
Tongue jack assembly .....	21
Top assembly .....	19
Touch-up paint .....	21
Trim sections .....	4
Water heater .....	2
Water systems .....	22
Wiring .....	21

PLANTATION  
FLOOR PLAN  
DRAIN SYSTEM

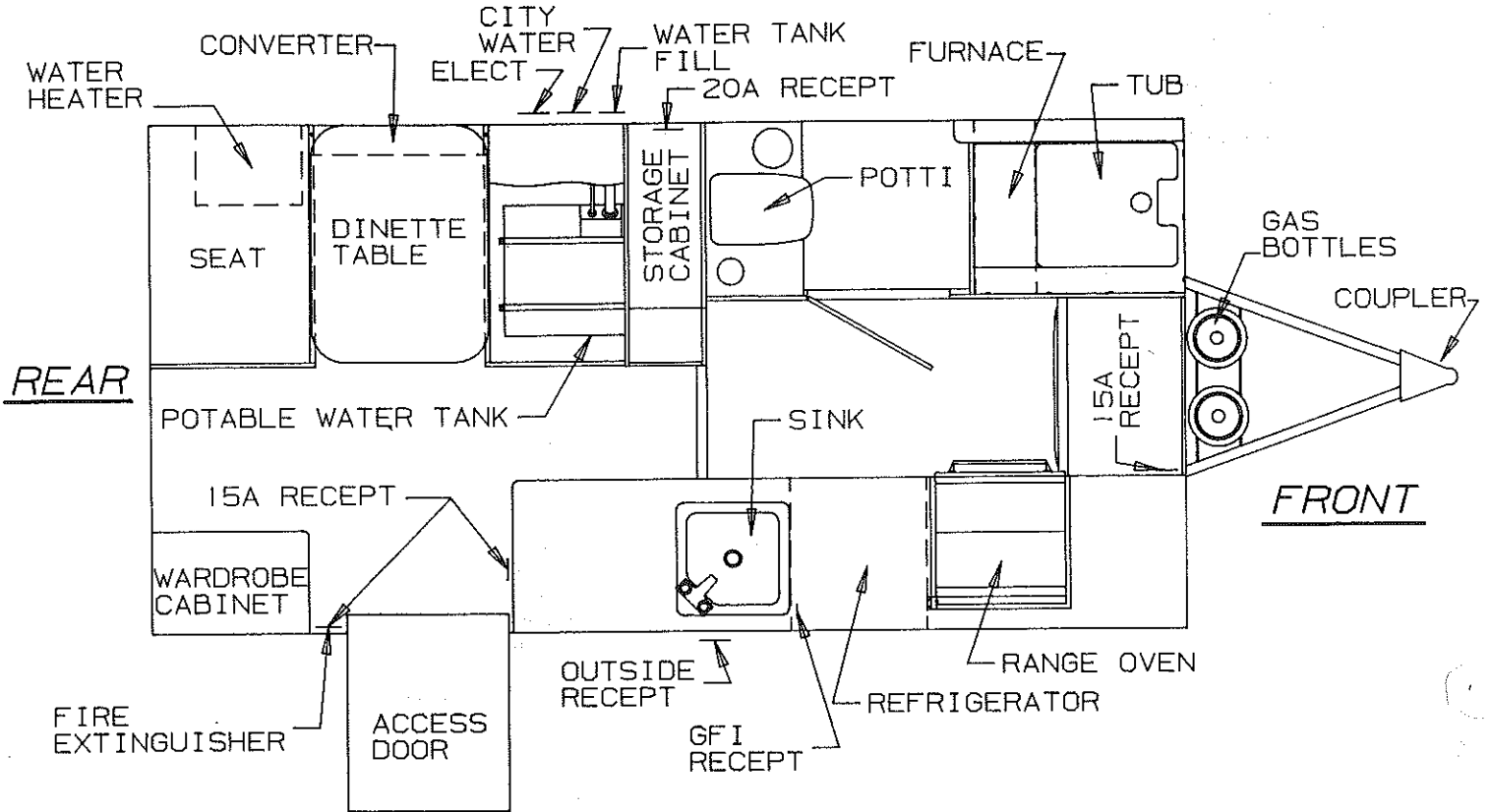
1988  
PARTS LIST



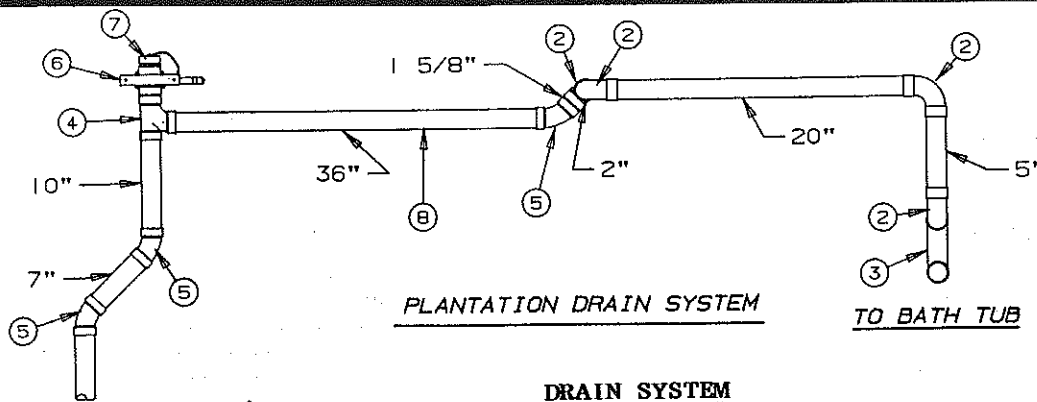
CAMPING TRAILERS

ROADSIDE

PLANTATION FLOOR PLAN

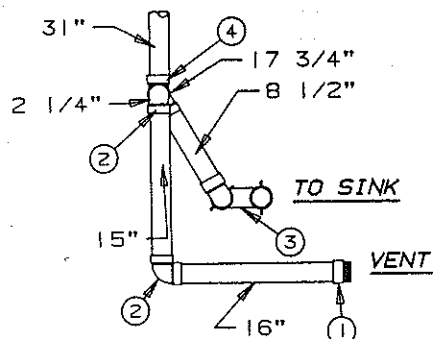


CURBSIDE



PLANTATION DRAIN SYSTEM

TO BATH TUB



TO SINK

VENT

DRAIN SYSTEM

CODE	PART NO.	DESCRIPTION
1	4746-357	Male adapter, x1
2	4746-366	Short elbow, x6
3	4741A9328	P trap, x2
4	4746-352	Drain tee, x2
5	4746-353	Drain elbow, x3
6	4746-354	Termination valve, x1
7	4716-3548	Termination valve cap, x1
8	406-00-150-01	1 1/2" Drain pipe





CAMPING TRAILERS

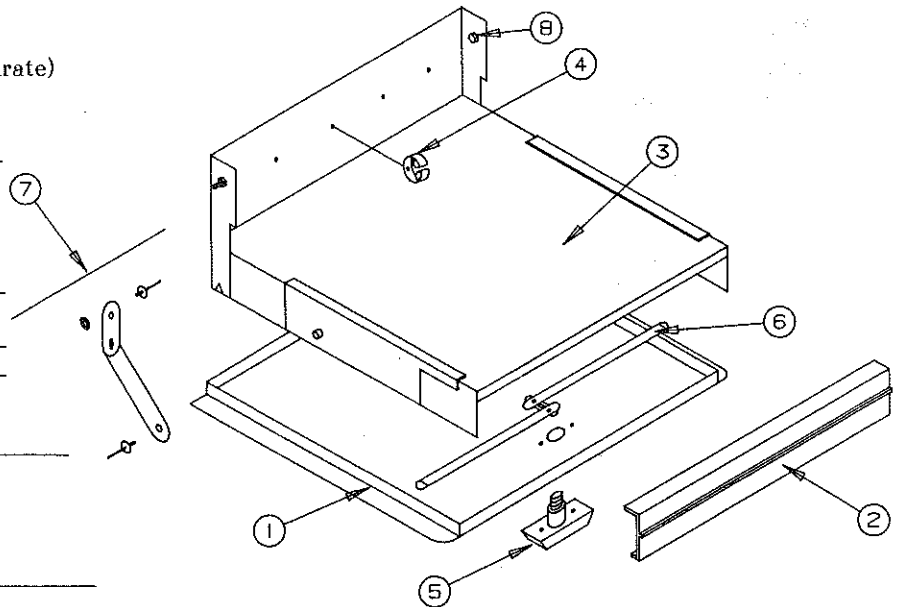
# 1988 PARTS LIST

ACCESS DOOR ASSY  
TRIM SECTIONS

### ACCESS DOOR ASSEMBLY

4745C5161 Access door assembly, 2299  
(less tape & decals, must order separate)

CODE	PART NO.	DESCRIPTION
1	4745B0521	Access door skin
	*4734B1861	Rivet, M25
	*4716-513	Trim tape (required)
	*4716-512	Trim tape (required)
	*4744B3538	Die cut
2	4731H2331	Access door cap
	*4734B1861	Rivet, M25
3	4745A0831	Step door covering
4	4734-2431	Snap clip right, M4
	4720A0771	Snap clip left, M4
	*4733-4118	Tek screw
5	4730B3111	Lock handle
	*4716-056	Screw, #10 x 7/8"
	*1201B6958	Keps nut, #10
	*4730G3188	Open decal
	*4730A3211	Access door key, M10
6	4741-6551	Lock bar assy
	*4741-1438	Reinforcement plate
	*1202B8528	Lock washer
7	4744-6981	Swing arm assy
	*1203C8721	Rivet, M25
	*1202B0468	Washer
Note: Rivet and washer included in swing arm package.		
8	1006B2428	Bolt, 3/8 - 16 x 1 1/4
	1202B0468	Washer
	1201B5188	Nut, 3/8 - 16



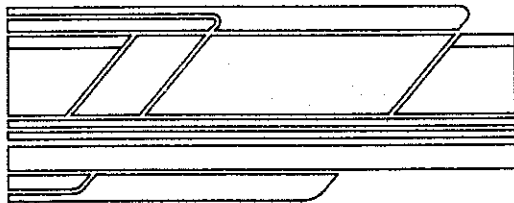
Note: 406-00-250-06, 1/8 x 1/2" adhesive-backed foam tape on inside door skin flanges.

4737B2838 White caulking  
661-00-072-20 Floor covering

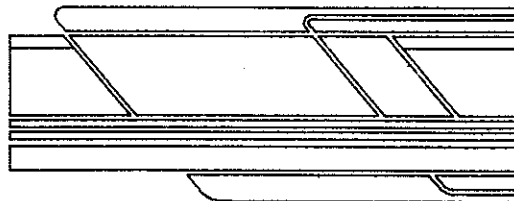
### STEP DOOR LIGHT

4739A5731 Light assembly complete

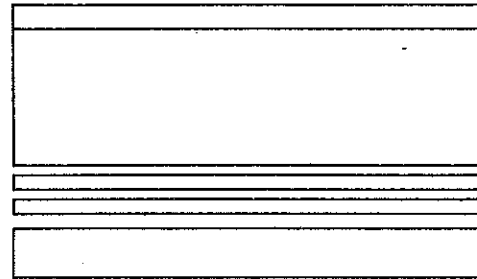
ROADSIDE  
DIE CUT  
4744B3538



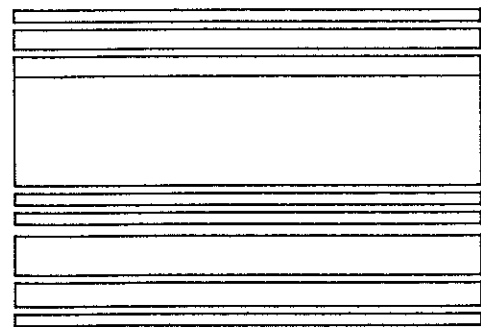
CURBSIDE  
DIE CUT  
4744B3548



TRIM SECTIONS  
4716-512



4716-513



**BED ASSY  
MATTRESS ASSY  
TENT SUPPORT ASSY**

**1988  
PARTS LIST**



**CAMPING TRAILERS**

**BED ASSEMBLIES AND COMPONENT PARTS**

- \*4745B520 Rear bed
- \*4745B590 Front bed
- \ 4745A6291 Bed extension all except right rear
- 4746-5131 Bed extension, right rear

CODE	PART NO.	DESCRIPTION
1	4745A2151	Upper tent bow
2	4745A0501	Lower tent bow support
	*4733-4118	Tek screw, lower to upper
3	4720F5631	Bed bow bracket
	*1014B1006	Screw, bow bracket to lower support

**BED LEG SUPPORT ASSEMBLY**

- 4734E5881 Bed leg support assembly - front
- 4745-6331 Bed leg support assembly - rear

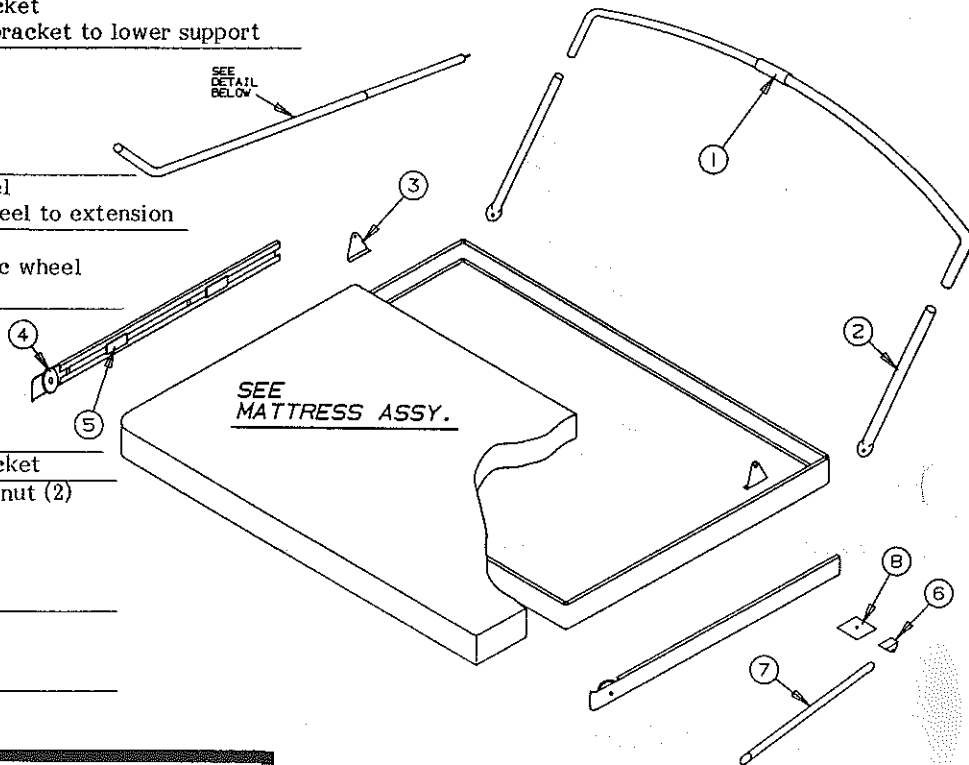
\*Note: Bed assemblies are a special order and are shipped complete less mattresses.

**BED EXTENSION HARDWARE**

CODE	PART NO.	DESCRIPTION
4	4720B0831	Large plastic wheel
	*4731A1288	Flathead rivet, wheel to extension
5	4720B5621	Roller asy
	*4731A1308	Rivet, small plastic wheel to roller support

**MISCELLANEOUS HARDWARE**

CODE	PART NO.	DESCRIPTION
6	4734A5141	Bed leg support bracket
7	4720A2361	Support rod and pal nut (2)
	*4739A2908	Cap
	*4739-2918	Cap washer
	*1040B1614	Bolt
	*1202B2528	Washer
8	4734A417	Support plate (6x6)
	*4720D4021	Lashing hook, M6
	*1203-8741	Rivet, M25



**MATTRESS ASSEMBLIES**

- Front/Rear mattress assembly 4745A6591
- Front/Rear mattress cover 4716A6591
- Fabric Amazon Bark 841-54-003-34 54" wide

**Reference Dimensions**

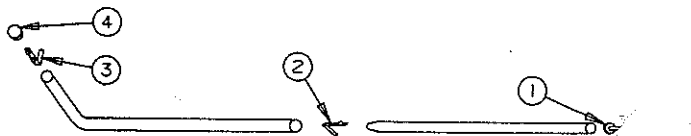
74 1/2 x 67 1/2 x 3 3/4"

**TENT SUPPORT ASSEMBLY**

- 4745A5931 Tent support (queen bed)

CODE	PART NO.	DESCRIPTION
1	8470-1728	Pole pin blue
2	4734-6708	Spring assy
3	4734A6708	Spring assy
4	4730B4648	Tube closure

Note: Inner and outer pole assemblies not sold separately.





CAMPING TRAILERS

# 1988 PARTS LIST

AXLE  
ELECTRIC BRAKES

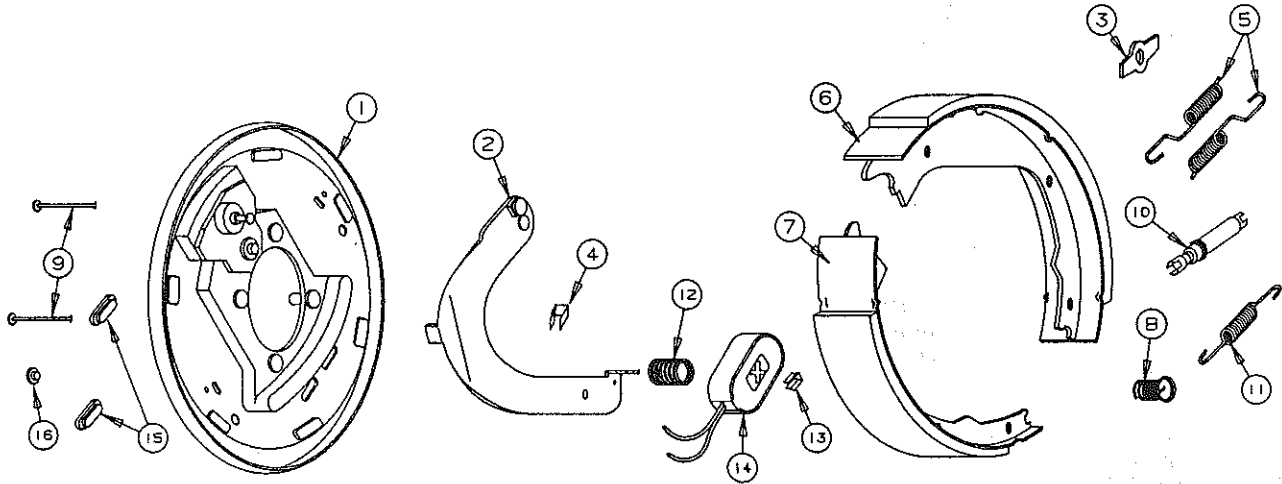
**AXLE**

4745A1708 Axle assembly complete  
2,500 lb. capacity with 10" electric brakes

1200B5501 Lug bolt M4  
1/2 - 20 on 4 1/2" B.C. (x5)

Axle Mounting Hardware Package

4716-0171 Axle mounting hardware package consisting of:  
4 - Bolts, 5/8 - 18 NF x 1 1/4, Grade 5  
4 - Nuts, 5/8 - 18 NF  
4 - Lock washers, split 5/8



**ELECTRIC BRAKE COMPONENTS - 10 X 2 1/4"**

Item	Coleman Part Number	Dexter Part Number	Qty./- Brake	Description
	4716-0201	23-26		<b>L.H. complete brake asy</b>
	4716-0211	23-27		<b>R.H. complete brake asy</b>
1		36-19-10	1	Backing plate asy
2	4716-0221	47-19	1	L.H. actuating lever arm and
		47-20	1	R.H. actuating lever arm
3		5-67	1	Washer
4		27-18	2	Wire clip
5	4716-0231	46-9	2	Retractor spring, M2
6	4716-0241	71-47	1	Shoe and lining kit
7				(includes 1 primary, 1 secondary, springs and pins)
8	4716-0251	46-77	2	Shoe holddown spring, M2
9	4716-0261	49-2	2	Holddown pin
10	4716-0271	43-4	1	Adjusting screw
11	4716-0281	46-18	1	Adjusting screw spring
12	4716A0291	46-80	1	Magnet spring
13	4716-0301	27-9	1	Magnet retainer clip
14	4716A0311	71-104	1	Magnet kit (includes 1 magnet, clip, and spring)
15	4716-0321	46-7	2	Plug, M2
16		46-16	1	Wire grommet

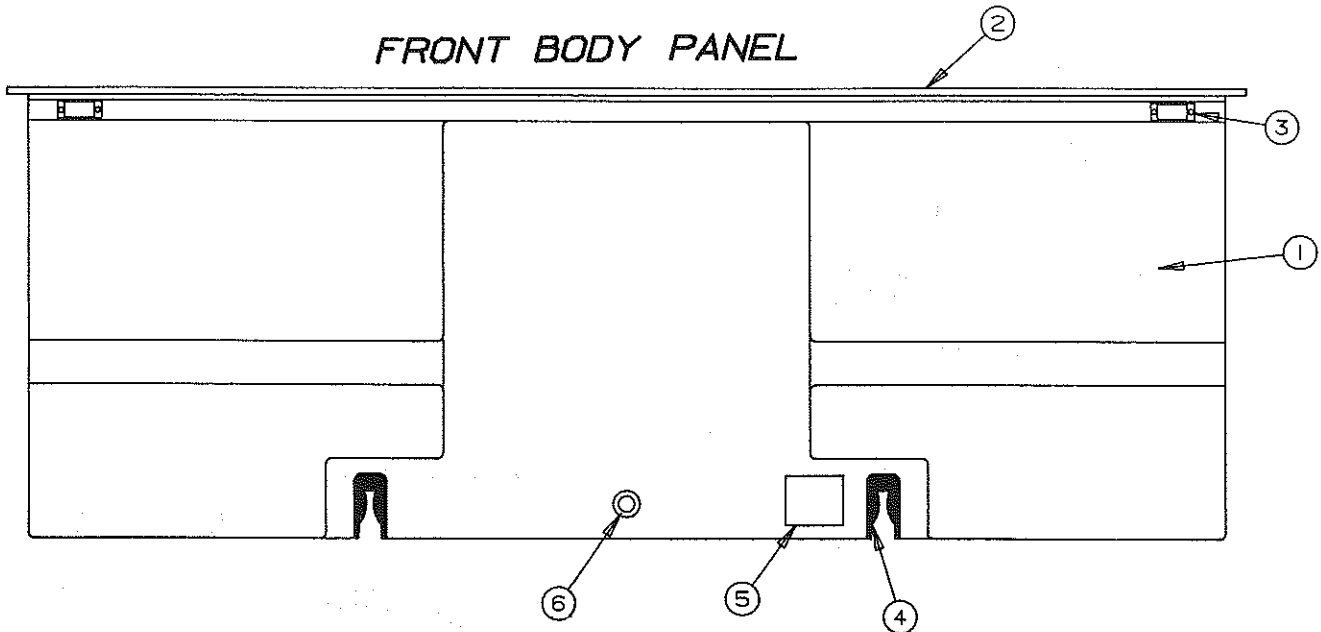
FRONT BODY  
 PANEL ASSY  
 EVOLUTION TENT  
 SECTION

1988  
 PARTS LIST



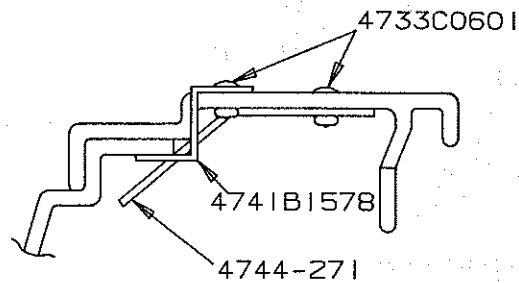
CAMPING TRAILERS

FRONT BODY PANEL



**FRONT BODY PANEL ASSEMBLY COMPONENTS**

CODE	PART NO.	DESCRIPTION
1	4745B0601	Front panel (less tape and decals must order separate)
	*4716-512	Trim tape (3' required)
	4741B1578	Clip
2	4745A042	Body rail
	4744-271	Bracket
	4733C0601	Rivet, M25
3	4745-3101	Amber clearance light assy
	*4716-3101	Amber lens
	*4741B9658	Expansion rivet
	*4734-2388	Wire connector
4	4737A4458	Gasket
5	4730H2138	Gas supply I.D. plate
6	4741A594	Bushing



**EVOL TENT SECTION**

Front bed	4745A6811
Rear bed	4745A6811
Large window	4745A6801
Small window	4745A6831
Door seal	4745A6791

1225U3638	Slide Side Zipper
1225U3648	Pin Side Zipper

665-05-000-28	No. 5 Chain zipper (sold per yard)
1225-4191	No. 5 Zipper pull, M5

406-00-000-24	Arrowhead seal
4714B6021	Shock cord 14', M2
4724-2011	Shock cord clamp, M10
406-00-000-55	5/16" O.D. vinyl tube

406-00-012-01	36" 12 Mil. clear vinyl
811-54-001-16	Evol III 7 oz. 54"
811-80-014-22	Top Vinyl-Off White 80"
811-80-014-26	Top Vinyl-Evol, Beige 80"

4745-5961	Tent extension harness curbside, rear
-----------	--

4714D1611	54" x 3 yds Screen package
4714-0361	54" x 13 yds Screen package

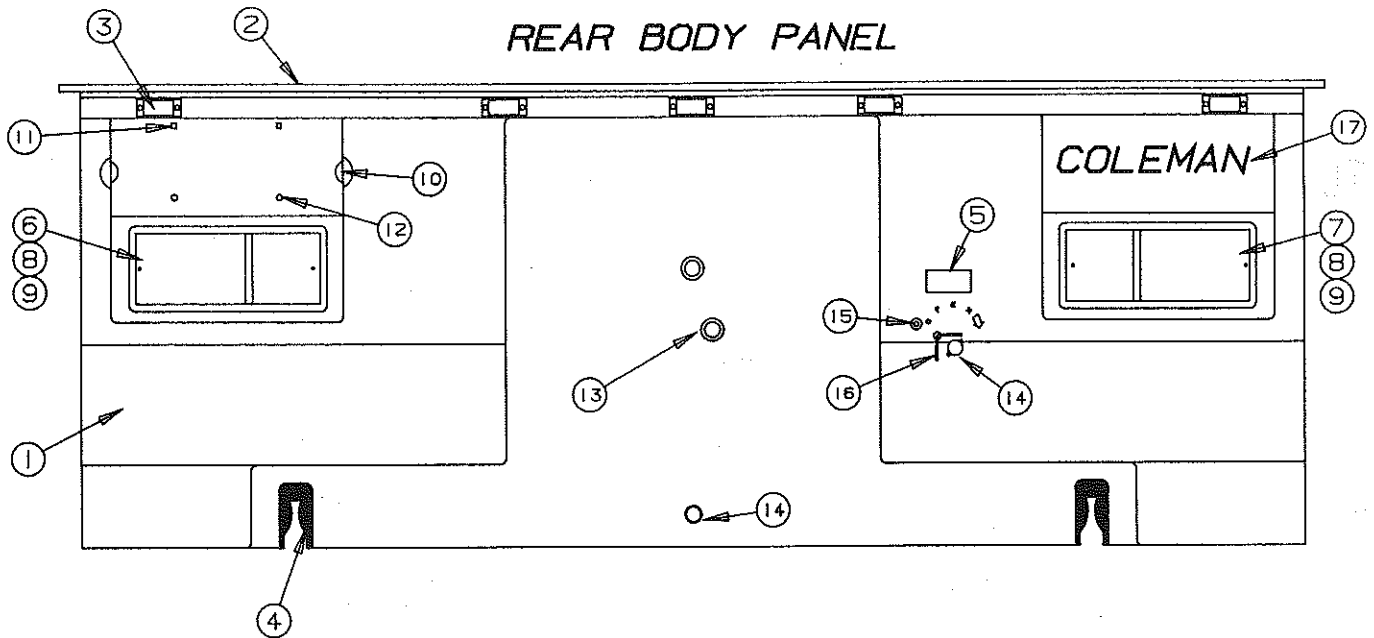




CAMPING TRAILERS

# 1988 PARTS LIST

REAR BODY  
PANEL ASSY  
CUSHION ASSY  
BACKREST ASSY



### REAR BODY PANEL ASSEMBLY COMPONENTS

CODE	PART NO.	DESCRIPTION
1	4745C0611	Rear panel (less tape and decal must order separate)
	*4716-513	Trim tape (3' required)
	4741B1578	Clip
	4733C0601	Screw
2	4746A079	Body rail
	4744-271	Bracket
	4733C0601	Rivet, M25
3	4745-3111	Red clearance light assy
	*4716-3111	Red lens
	*4741B9658	Rivet, M25
	*4734-2388	Wire connector
4	4737A4458	Gasket
5	4737C3638	Caution decal
	*4739B1178	Switching decal
	4730G3188	Open decal
6	4734C3911	Taillight assy R/S
7	4734C3921	Taillight assy C/S
8	4739-4321	Red lens
9	4739-4331	Clear lens
	*4741B9658	Rivet, M25
	*4739-4348	Screw
10	4739B4311	Taglight
11	4732-1181	Plastic grommet, M4
	*1121C1618	Screw
12	4737-0728	Rubber bumper
13	4744-8598	Hole plug
14	4744-3118	Grommet
15	4724-2608	Stop button
	*4716-077	#10 x 3/4" Screw
16	4746-1171	Butterfly key
	*4737-4698	Cap x2
17	4741E2868	Coleman logo

### CUSHION AND BACKREST

Dinette cushion	4745-6861	Rear, roadside
Dinette cushion	4745A6541	Front, roadside
Dinette backrest	4745A6551	
Wardrobe cushion	4745B6561	<b>Serial Number (2299) 1001 thru 1200</b>
Wardrobe cushion	4745C6561	<b>Serial Number (2299) starting with 1201</b>
Wardrobe backrest	4745A6571	

### REFERENCE DIMENSIONS

35 3/4 x 17 5/8 x 3 5/8"
35 3/4 x 21 3/8 x 3 5/8"
34 3/4 x 15 x 3 3/8"
39 x 21 3/8 x 3 3/8"
39 X 21 3/8 X 3 3/8"
39 1/4 x 15 x 3 3/8"

**Fabric** Cover not available must order complete assembly

Tundra/Silver

### Dinette Cushion

4710-2681	Stop button, M5
1034B0828	Screw

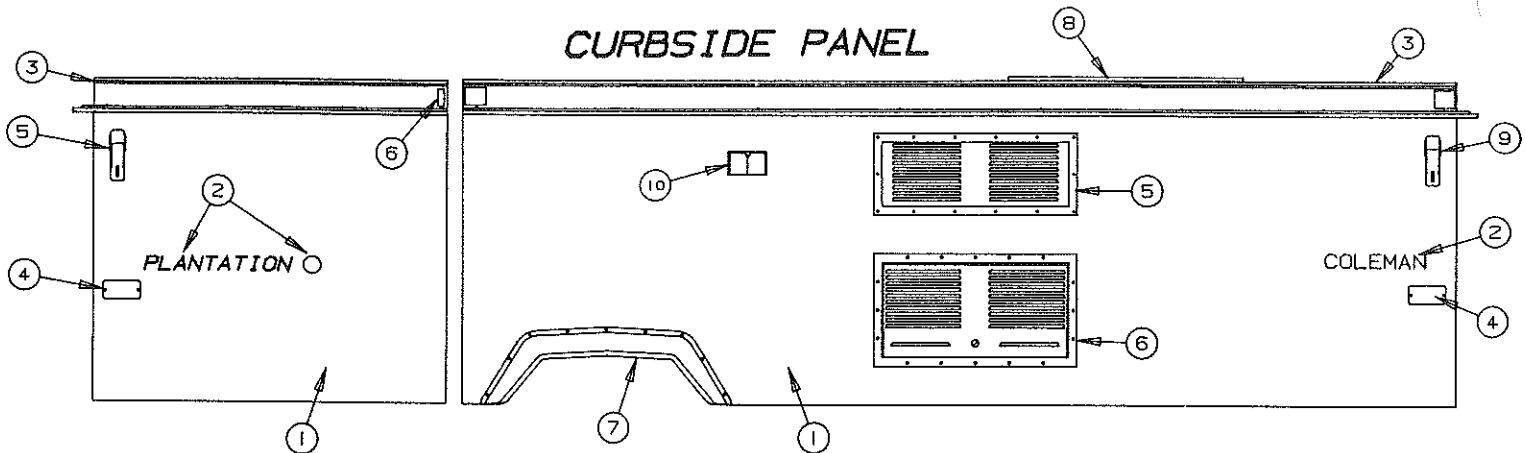
RT. FRONT &  
RT. REAR BODY  
PANEL ASSY

MITER COVERS

# 1988 PARTS LIST



CAMPING TRAILERS



**RIGHT REAR BODY PANEL ASSEMBLY COMPONENTS**

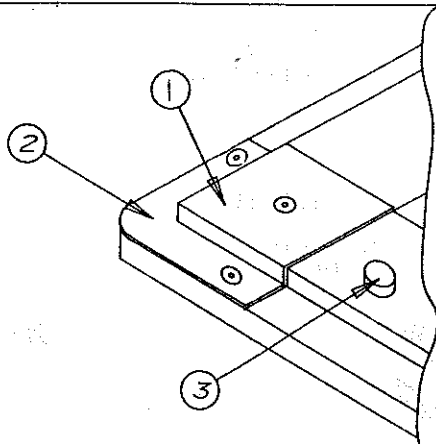
CODE	PART NO.	DESCRIPTION
1	4745B0561	Right rear panel (less tape and decals must order separate)
	*4716-513	Trim tape (3' required)
	*4746-3958	Body panel flange clips
2	4746-3438	20th Anniversary logo
	4745A1998	Plantation logo
3	4745A044	Body rail
	*4745-1861	Rivet, M25
4	4714E0851	Red lens and base
	*4733G1311	Socket and harness
	*4714-3701	Bulb, M4
	*1103E1018	Screw
	*4734-2388	Wire connector
5	4741B6041	Top latch w/o lock
	*4741-8218	Screw
6	4723-8071	Velcro hook, 3/4"
	435-00-001-15	Adhesive-backed velcro hook (sold per foot) 2"

**RIGHT FRONT BODY PANEL ASSEMBLY COMPONENTS**

CODE	PART NO.	DESCRIPTION
1	4745B0571	Right front panel (less tape and decals must order separate)
	*4716-512	Trim tape (9' required)
	*4746-3958	Body panel flange clips
2	4745A1908	Coleman logo
3	4745A045	Body rail
	*4734B1861	Rivet, M25
	*435-00-001-15	Adhesive-backed velcro hook (sold per foot)
4	4714E0841	Amber lens and base
	*4733G1311	Socket and harness
	*4714-3701	Bulb M4
	*1103E1018	Screw
	*4734-2388	Wire connector
5	4747-8321	Refrigerator vent, upper
6	4747-8331	Refrigerator vent, lower
	*4741B9368	Screw
7	4745A1551	Wheel well trim
	*4741B9368	Screw
8	4737A221	Curtain track
	*4741-9861	Rivet, M25
9	4741B6041	Top latch w/lock
	*4741-8218	Screw
10	4746-386	Duplex cover

**MITER COVERS**

CODE	PART NO.	DESCRIPTION
1	4737A9111	Inner miter cover, M4
2	4737B9101	Outer miter cover, M4
	*4733C0601	Rivet, M25
3	4741-9108	Screw
	4739-2918	Screw washer
	4739A2908	Screw cap



**DRAPES AND CURTAINS**

Drape package	4745A6621	5 Panels
Drape tie package	4716A6621	(5 in a package)
Valance	4745-6871	3 Valances
Fabric	Brigette Nutria	811-54-003-09
Curtain glide package, M20	4745-4561	
End cap package, M8	4745-4571	

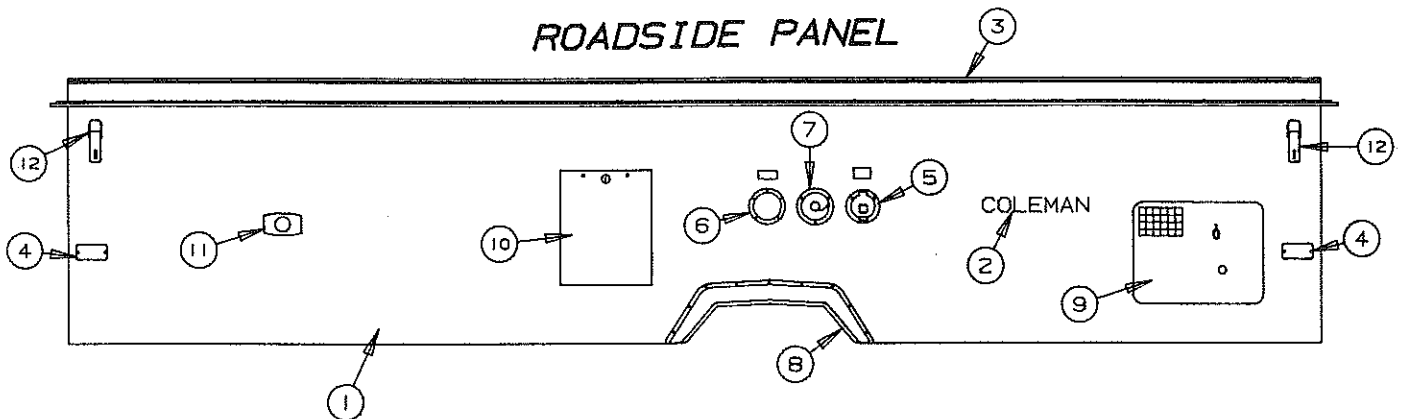


CAMPING TRAILERS

# 1988 PARTS LIST

LEFT BODY  
PANEL ASSY  
TABLE ASSY

## ROADSIDE PANEL



### LEFT BODY PANEL ASSEMBLY COMPONENTS

CODE	PART NO.	DESCRIPTION
1	4745B8351	Left panel (less tape and decals must order separate)
	*4716-512	Trim tape (10' required)
	*4746-3958	Body panel flange clips
2	4745A1908	Coleman logo
3	4745A043	Body rail
	*4734B1861	Rivet, M25
4	4714E0841	Amber lens and base
	4714E0851	Red lens and base
	*4733G1311	Socket and harness
	*4714-3701	Bulb, M4
	*1103E1018	Screw
	*4734-2388	Wire connector
5	4733-2331	Cable hatch
	*4745-994	30AMP Decal
	*4741-3508	Screw x3

CODE	PART NO.	DESCRIPTION
6	4731C1711	Fill spout
	*4735C0988	Water decal
	*4741-3508	Screw x5
7	4732D1521	City fill
	*4741-3508	Screw x3
8	4745A1551	Wheel well trim
	*4741B9368	Screw x11
9	4714D3391	Water heater door
10	4746-6321	Hatch door
11	4746-3561	Hydro flame vent
	*4716-064	Screw x2
12	<del>4715E5061</del>	Top latch
	4741-8218	Screw
13	*4744B3548	Die cut
14	*4716-513	Trim tape (3' required)

Note: 406-00-000-50 3/8" I.D. transparent hose  
 406-00-250-03 1 3/8" I.D. flexible non-toxic hose  
 4714-038 3/8" I.D. high-pressure hose

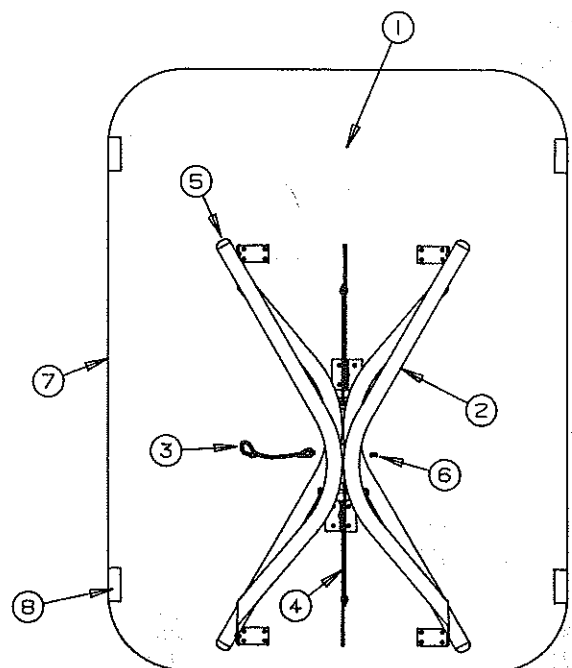
### DINETTE TABLE ASSEMBLY

CODE	PART NUMBER	DESCRIPTION
1	4745A8591	Dinette table top
2	4745-5271	Dinette table leg assembly (includes hardware to install legs, M2)
3	4720B5951	Table strap assembly, M4 8" length,
4	4744-6971	Lock brace package
	*4737-8488	Screw, brace-to-top
5	4720C3928	Table leg cap
6	4720D4021	Lashing hook, M6
7	406-00-000-78	3/4" T molding
8	4724D263	Velcro hook
	4724E263	Velcro loop

### Table Top Dimensions

4745A8591 26 3/4 x 36"

5/8" particle board - gray linen





**CABINET ASSY  
RIVETS**

**1988  
PARTS LIST**



**CAMPING TRAILERS**

**WARDROBE CABINET ASSEMBLY - 2299**

4745B5251 Wardrobe cabinet assembly  
SN 1001 thru 1140 ONLY

CODE	PART NO.	DESCRIPTION
1	4745A1931	Cabinet top
2	4745-2601	Handle
	*4716-055	#8 x 7/8 Screw
3	4745A5111	Door asy
	*4738-3088	Screw
4	4745A2211	Outside corner M3
5	*4745-1851	Wardrobe hanger
	*4716-076	#8 x 1/2 Screw
6	*4746-141	1" Bushing

**WARDROBE CABINET ASSEMBLY - 2299**

4745C5251 Wardrobe cabinet assembly  
STARTING SN 1141 (with wood strip)

CODE	PART NO.	DESCRIPTION
1	4745A1931	Cabinet top
2	4745-2601	Handle
	*4716-055	#8 x 7/8 Screw
3	4745A5111	Door asy
	*4738-3088	Screw
4	4745A2211	Outside corner M2
5	*4745-1851	Wardrobe hanger
	*4716-076	#8 x 1/2 Screw
6	*4745-183	Wood strip

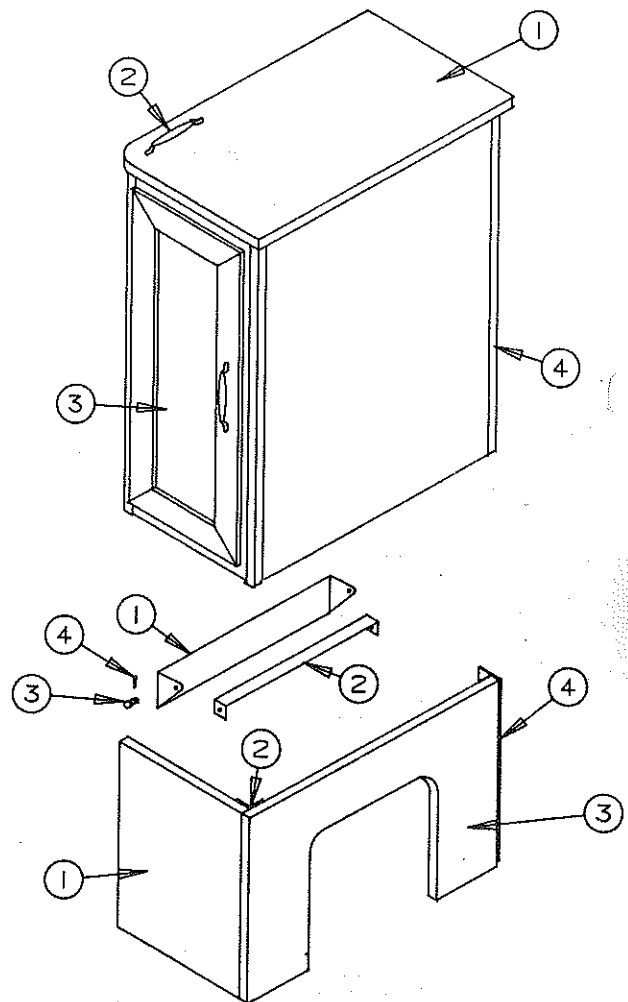
**WARDROBE HINGE ASSEMBLY**

CODE	PART NO.	DESCRIPTION
1	4745-414	Wall bracket
	*4716-064	#10 x 3/4" Screw
2	4745A415	Cabinet bracket
	*4716-065	#10 x 1 Screw
3	4720C1578	Short pin
4	1204B1081	Cotter pin, M10

**WARDROBE CABINET ASSEMBLY - LOWER**

4745-5261 Wardrobe cabinet assembly lower

CODE	PART NO.	DESCRIPTION
1	4745-4121	Cabinet front
2	4745-4091	Hinge
3	4745-4111	Cabinet side
4	4745-4101	Hinge
5	*4716-076	Screw, hinges to cabinet



**POP RIVETS** (Equivalent may be purchased locally from hardware store.)

Rivet No.	Pkgd	"B" Dia	"C" Dia	"L" Length	Color	Typical Use
4741-9861	M25	5/32	1/4	3/8	Beige	Curtain track
4733C0601	M25	5/32	1/4	3/8	Col W	Screen door assy
1203-8641	M50	3/16	3/8	1/2	Alum.	Lift assy
1203-8741	M25	3/16	3/8	3/4	Alum.	Lashing hooks, clearance lights
1203-8831	M25	3/16	5/8	5/8	Alum.	Bed assy
1203C8721	M25	3/16	5/8	11/16	Steel	Swing arm assy, crank support, bed assy
4734B1861	M25	3/15	3/8	1/2	Col W	Body rails, miter covers, access door, bed assy, sc dr assy
4734-1861	M25	3/16	3/8	3/4	Brown	Overhead cabinet assy, access door assy,



# 1988 PARTS LIST

CAMPING TRAILERS

CABINET ASSY

**GALLEY ASSEMBLY, 2299**

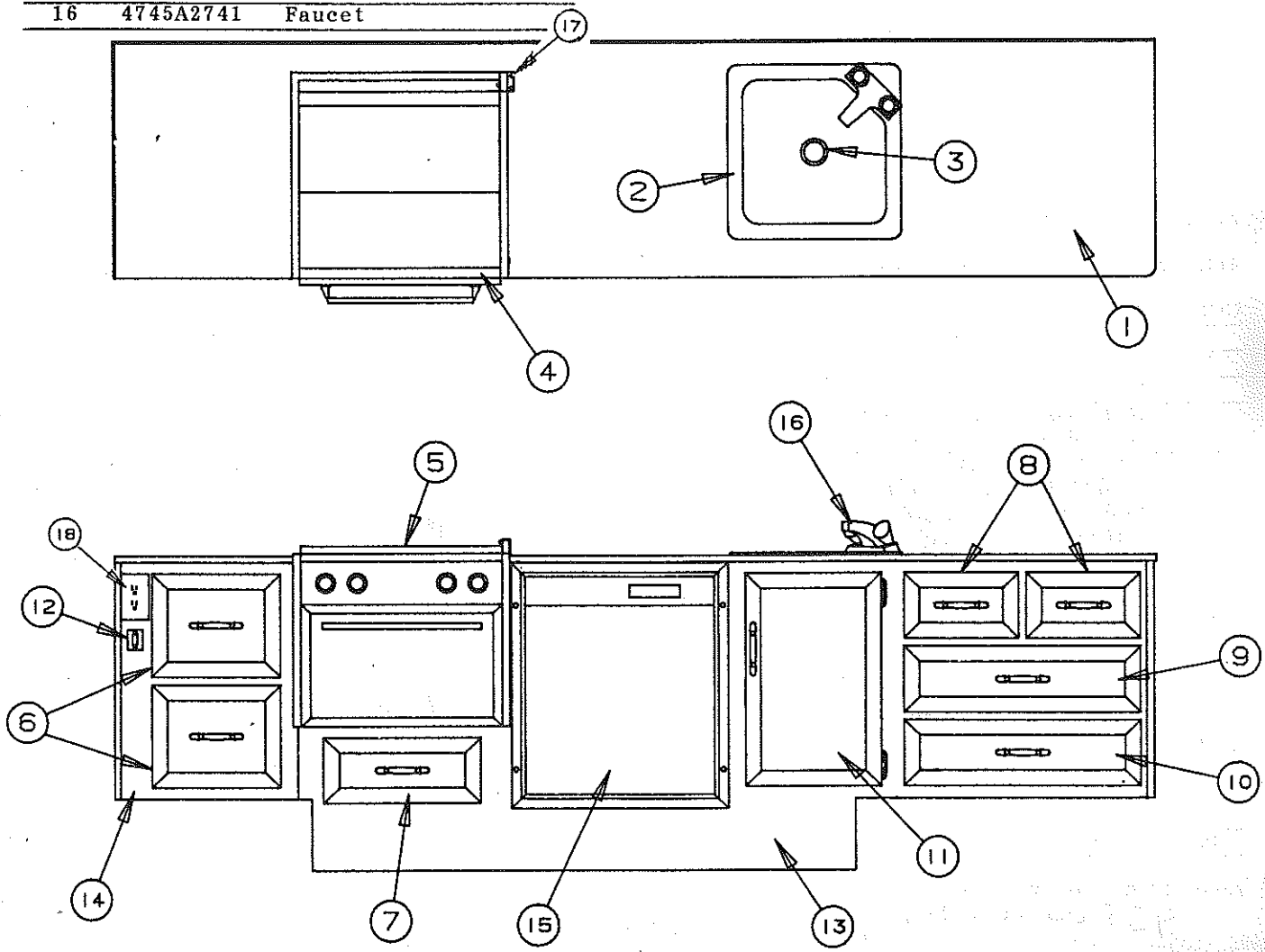
CODE	PART NO.	DESCRIPTION
1	4745B8571	Cabinet top
2	4745-2801	Sink
3	4730D3151	Basket strainer
	*4734A0671	Drain trap
	*4741A9328	P-Trap
4	4737A9701	3 Burner Range & Oven
5	4745-3181	Stove cover
6	4745-6361	Drawer assembly x2
7	4745B5731	Drawer assembly
8	4745-6381	Drawer assembly x2
9	4745-6391	Drawer assembly
10	4745-6401	Drawer assembly SN 1001 thru 1200
	4745-290	Drawer slide set x6
	4745A6401	Door assembly STARTING SN 1201
11	4745B5761	Door assembly
12	4733A4981	Light switch
13	4745A855	Cabinet front, large
14	4745A8561	cabinet front, small
15	4745-171	Refrigerator
16	4745A2741	Faucet

CODE	PART NO.	DESCRIPTION
17	4746-1531	Stove latch bracket
	*1103E1018	Screw x2
	*4734-6708	Spring clip assembly
18	4710B3551	Recepticle x3

*has been changed to  
4745C5731 Door assembly  
STARTING with SERIAL #1222  
(ECO change)*

**CABINET DOOR HARDWARE**

4745-2601	Door handle
4716-055	#8 x 7/8 Screw
4745-2611	Door hinge
4738-3088	Screw



STOVE DETAILS  
SCREEN DOOR ASSY

# 1988 PARTS LIST



CAMPING TRAILERS

**RANGE WITH OVEN**

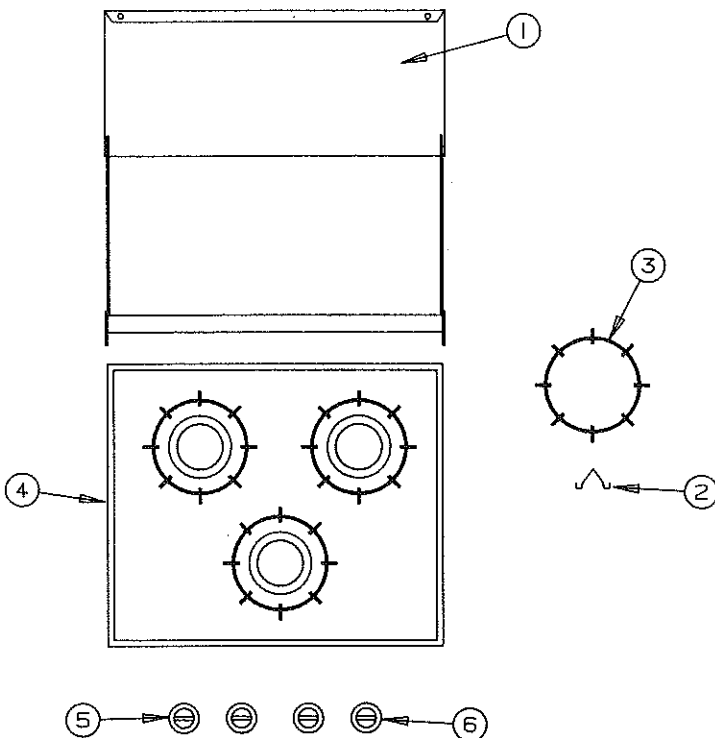
4737A9701 Three-burner range with oven

CODE	PART NO.	DESCRIPTION
1	4745-3181	Range cover
2	4716-9721	Grate clip pkg M8
3	4716-9711	Grate
4	4716-9701	3-burner range top
5	4716-9731	On/off knob
6	4716-9741	Thermostat knob

Note: Above parts may be ordered through Coleman or directly from Elixir Industries. Refer to range owner's manual for parts descriptions for others and order from:

Elixir Industries  
Customer Service  
640 Collins Road  
Elkhart, Indiana 46516  
219/294-5685

4746-1531 Range cover bracket package  
(includes spring clip and screws)



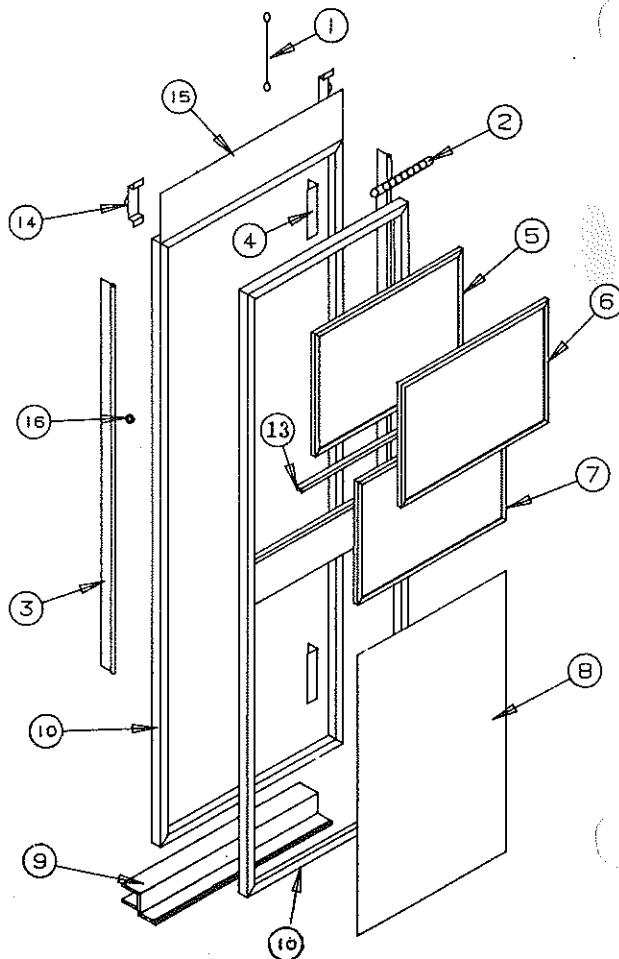
**SCREEN DOOR AND JAMB ASSEMBLY**

Note: Door and jamb not available separately.

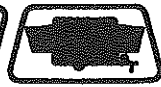
4745A5101 Screen door and jamb assembly

CODE	PART NO.	DESCRIPTION
1	4734B5211	Cable assembly, M2
2	4731A8201	Screen door spring asy
3	4745A1271	Door seal, M2
4	4720F3601	Screen door hinge
	*4741B9861	Rivet, M25
5	4710B3781	Sliding panel
6	4710B3381	Screen panel
7	4710B3451	Fixed panel
8	4741G0351	Kick plate
9	4741C6221	Screen door support
10	4745A5101	Door and jamb assembly complete
11	*4733C4791	Latch asy pkg
	*1202B0268	Washer
12	*4710C411	Strike (in 4733C4791 latch pkg)
	*4741A9861	Rivet, M25
13	406-00-003-85	Weatherstrip, 18" length (snow white)
14	4741-8658	Sash lock
	*4734B1861	Rivet, M25
15	4741B8831	Top bracket
	*4734B1861	Rivet, M25
16	4730A3548	Stud

Note: ~~435-00-001-15~~, 3/4" wide pressure-sensitive velcro hook, white  
435-00-000-07 (ELOCORNER)



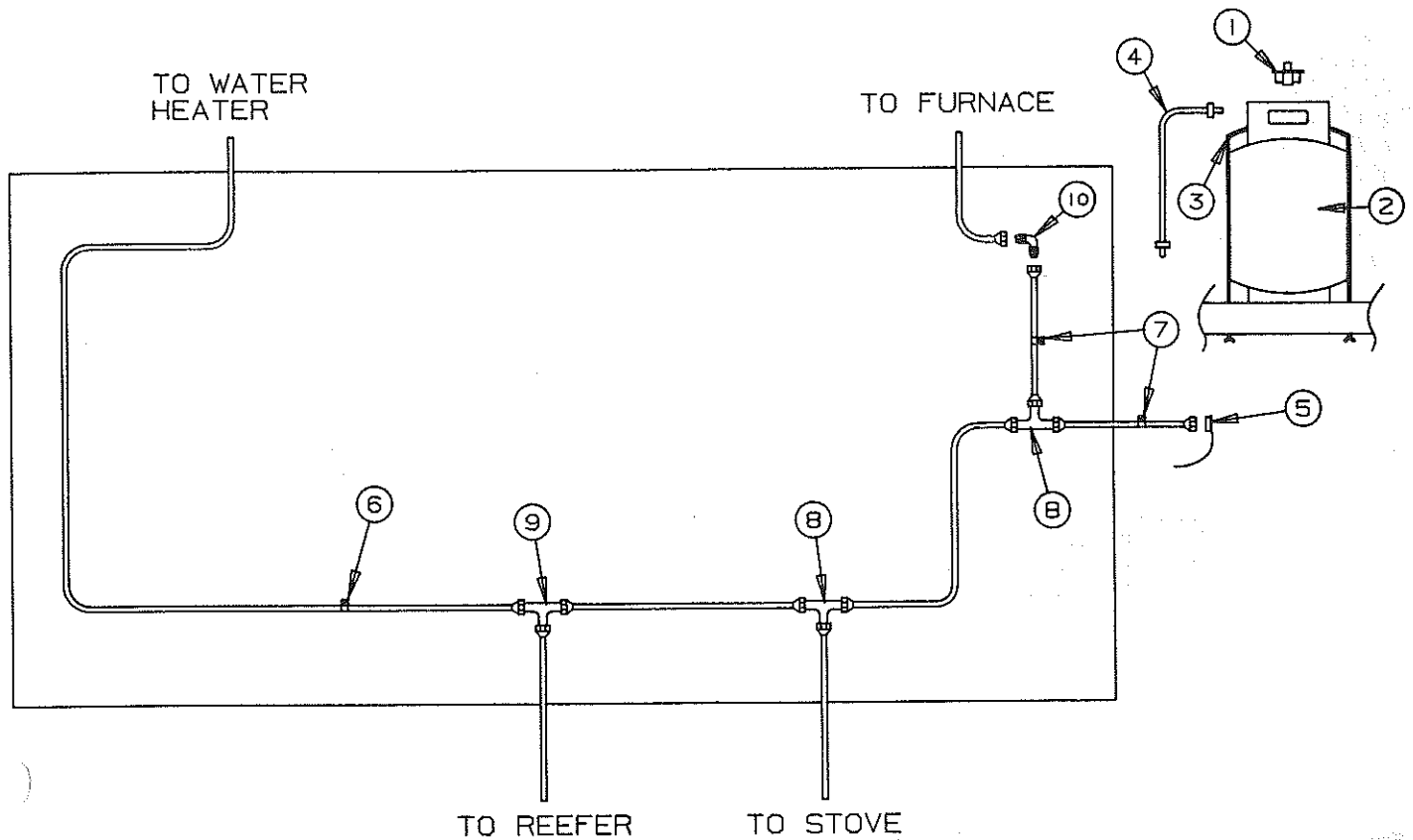




CAMPING TRAILERS

# 1988 PARTS LIST

GAS SYSTEM  
BATH TUB ASSY



### GAS SYSTEM - 2299

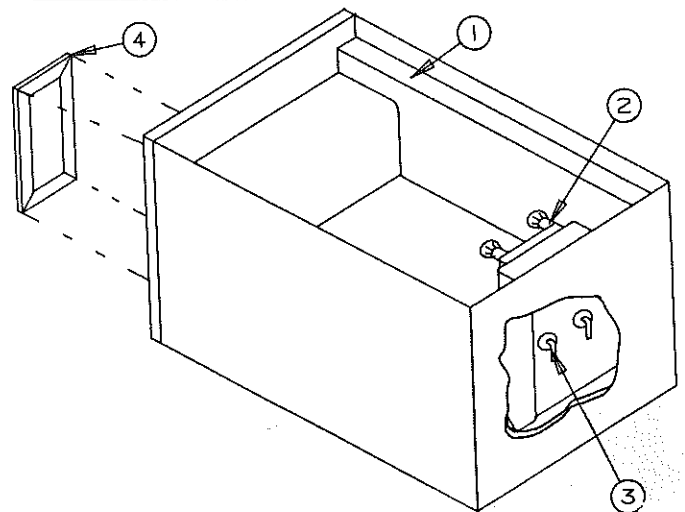
CODE	PART NO.	DESCRIPTION
1	4739A1291	Regulator
	*4734B3781	Regulator cover
2	4720H5928	Gas bottle (colonial white)
3	4733F6281	Gas bottle mounting pkg
4	4737-8871	Flexible gas hose, 3/8" - 32" long
5	4737-8388	Plastic cap w/chain
6	4746-1318	1/2" tube clamp
	*4733-4118	Tek screw
7	1201-8738	1/2 Tube clamp, rubber-coated
	*4733-4118	Tek screw
8	1215-1798	Tee, 1/2 - 1/2 - 1/2
9	1215-1788	Tee, 1/2 - 3/8 - 3/8
10	1215-5168	3/8 Tube clamp

- 1215-2418 Flare nut for 3/8" copper line
- 1215-2438 Flare nut for 1/2" copper line
- 4745A630 3/8" O.D. copper line, 150" (includes 2 flare nuts)
- 4746-178 Floor bushing

### BATHTUB ASSEMBLY

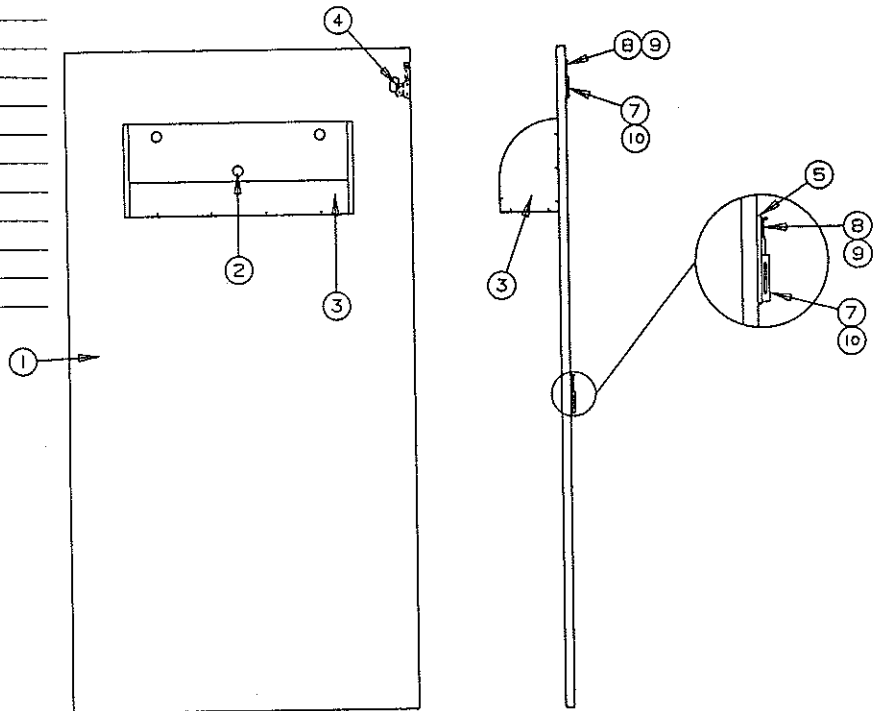
4745A587

CODE	PART NO.	DESCRIPTION
1	4746-3601	Bathtub
	*4739-4608	Screw
	*4739A2908	Screw cap, white
	*4739-2918	Screw cap washer
2	4741A2071	Faucet assembly
3	4741-9068	Swivel
4	4745-648	Door assembly
	*4738-3088	Screw x4
5	*4737-8328	Plastic nut
	*4746-500	Tub drain assembly



**WALL PANEL ASSEMBLY, 2299** Woodgrain Design

CODE	PART NO.	DESCRIPTION
1	4746A2921	Fold down wall
2	4739A2908	Screw cap
3	4745A6411	Magazine rack assembly
4	4746-3968	Reinforcement angle
5	4746-3658	Spacer
6	*1114B0828	Screw
7	4746-1561	Wall latch
8	4746-1571	Wall latch key
9	1103B0612	Screw
10	4716-068	Screw

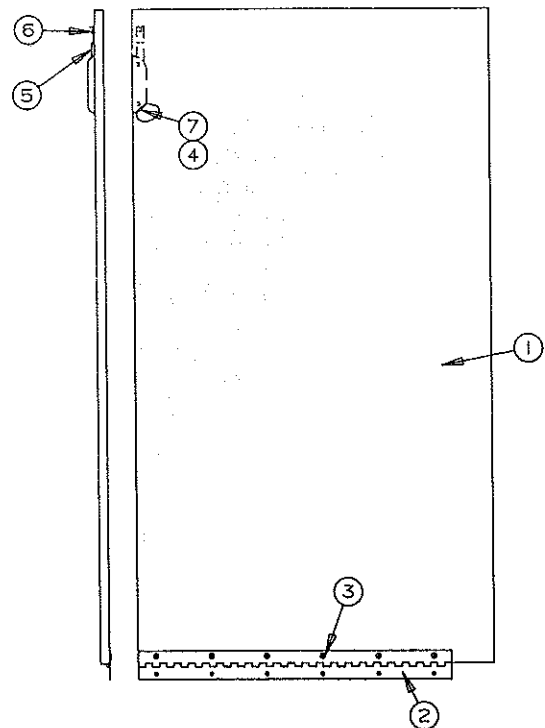


**MAGAZINE RACK ASSEMBLY - 2299**

- 4745A6411 Magazine rack assembly
- 4746A289 Magazine rack back x1
- 4746A287 Magazine rack side x2
- 4746A288 Magazine rack bottom x1
- 4746A286 Magazine rack front x1

**FOLD DOWN WALL ASSEMBLY, 2299** Woodgrain Design

CODE	PART NO.	DESCRIPTION
1	4746-3121	Fold down wall
2	4746-3291	Hinge
3	4737-8478	Screw
4	4746-1561	Wall latch
5	4746-1571	Wall latch key
6	1200B4458	Screw
7	4716-068	Screw





# 1988 PARTS LIST

CAMPING TRAILERS

BATHROOM WALLS

**BATHROOM WALL ASSEMBLY - FRONT - 2299  
SN 1001 THRU 1131 ONLY**

Wallpaper/Wallpaper Design

CODE	PART NO.	DESCRIPTION
1	4745B9701	Upper bathwall
2	4745B9621	Door (top)
3	4745B3281	Upper door trim
4	4746-3071	Hinge x2 (M2)
5	4746-3051	Hinge
6	4745B9631	Middle right bathwall
7	4716-527	Chain 18"
8	4746-3081	Hinge x2 (M2)
9	4745B9691	Middle left bathwall
10	4746-3091	Hinge x1
11	4745A3391	Door (middle)
12	4746-2911	Middle door trim
13	4745B9671	Lower bathwall
14	4745-6281	Door assembly
15	4745B3401	Door (bottom)
16	4746-3591	Latch
17	4746-3011	Filler bottom
18	4746-3021	Filler sides x2 (M2)
19	4746-3001	Filler top
20	4745A3271	Lower trim (bottom)

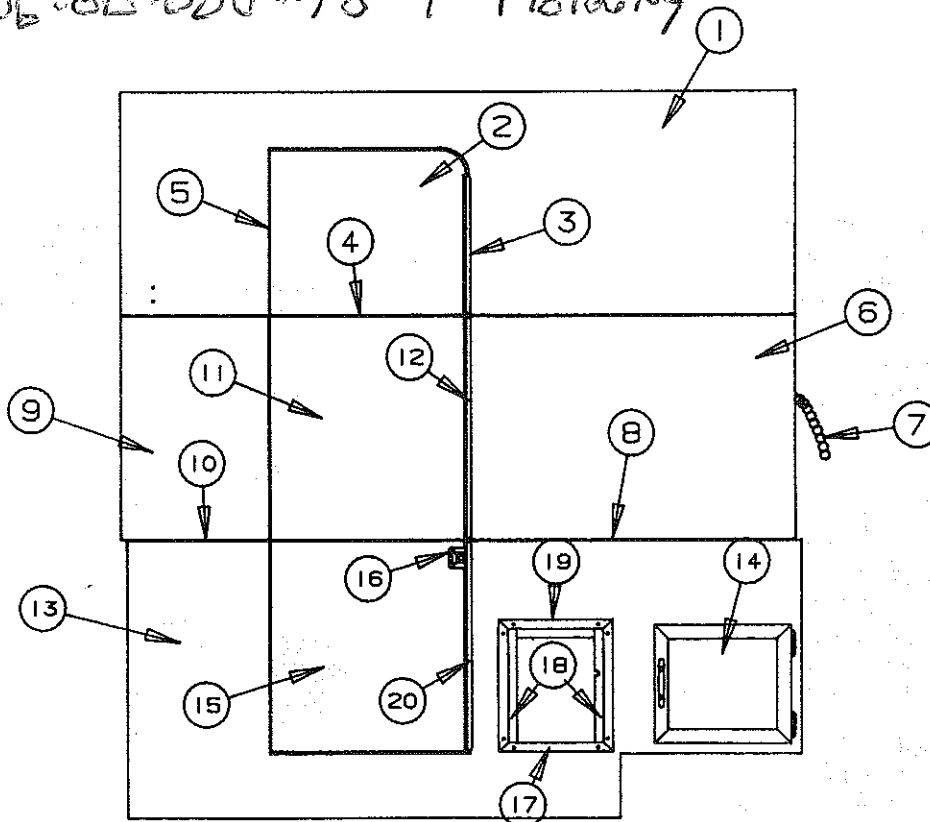
**BATHROOM WALL ASSEMBLY - FRONT - 2299  
STARTING SN 1132**

Wallpaper/Woodgrain Design

CODE	PART NO.	DESCRIPTION
1	4745C9701	Upper bathwall
2	4745C9621	Door (top)
3	4745B3281	Upper door trim
4	4746A3071	Hinge, x2 - M2
5	4746A3051	Hinge
6	4745C9631	Middle right bathwall
7	4716-527	Chain, 18"
8	4746A3081	Hinge, x2 - M2
9	4745C9691	Middle left bathwall
10	4746A3091	Hinge
11	4745B3391	Door (middle)
12	4746A2911	Middle door trim
13	4745B9671	Lower bathwall
14	4745-6281	Door assembly
15	4745C3401	Door (bottom)
16	4746-3591	Latch
17	4746-3011	Filler bottom
18	4746-3021	Filler side x2 - M2
19	4746-3001	Filler top
20	4745B3271	Lower trim (bottom)

NOTE: 4745B9671 Lower bathwall  
If heater is installed must order Sections 17, 18 and 19.  
If bathwall does not have a heater then order (2) 4745-6281  
door assemblies are required.

*406-00-000-78 T Molding*



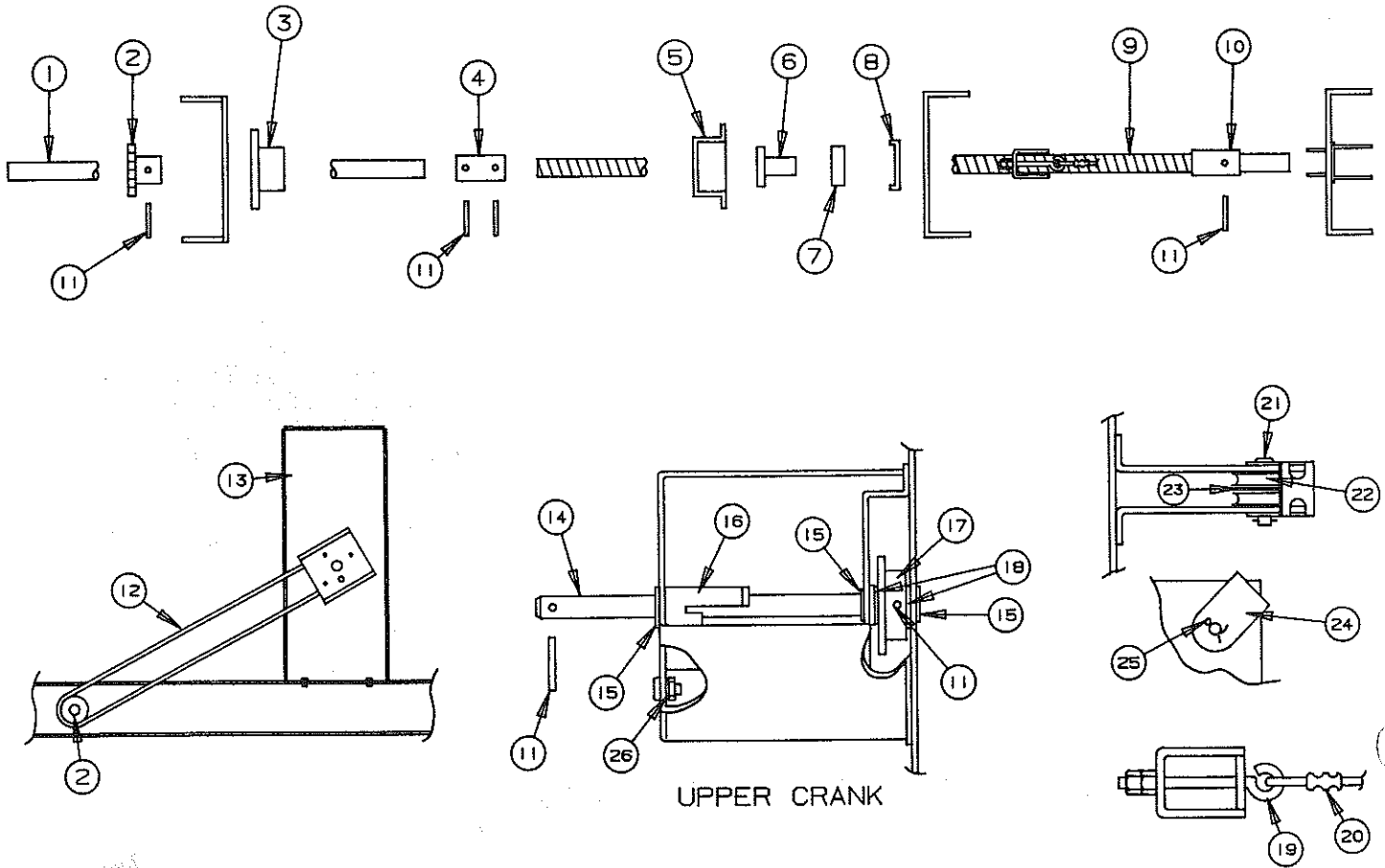


WHIFFLETREE ASSY  
RATCHET ASSY  
CRANK & SPROCKET

1988  
PARTS LIST



7-2-01



UPPER CRANK

**RAISING SYSTEM**

CODE	PART NO.	DESCRIPTION
1	4745C068	Crank extension
2	4737-1778	Sprocket
3	4741B8408	Bearing
	*1200B3048	Hex-head bolt
	*1201B6068	Hex nut
	*1202B0468	Washer
4	4720D1221	Coupling
5	4720B2408	Screw retainer
	*4731-3878	Hex-head bolt
	*1201B6038	Hex nut
6	4720B2388	Thrust nut
7	4720A2421	Bearing
8	4720B2418	Plate
9	4720E5201	Whiffletree assy.
		<b>Note: Requires 4746-0601 bushing &amp; pin package (x1)</b>
10	4746-0601	Bushing and pin package
11	4720B1481	Roll pin, M10
12	4745A0691	Chain
	4730A3811	Connecting link
13	4745-6101	Crank and sprocket assy
	*4731-3878	Hex-head bolt
	*1201B6038	Hex nut

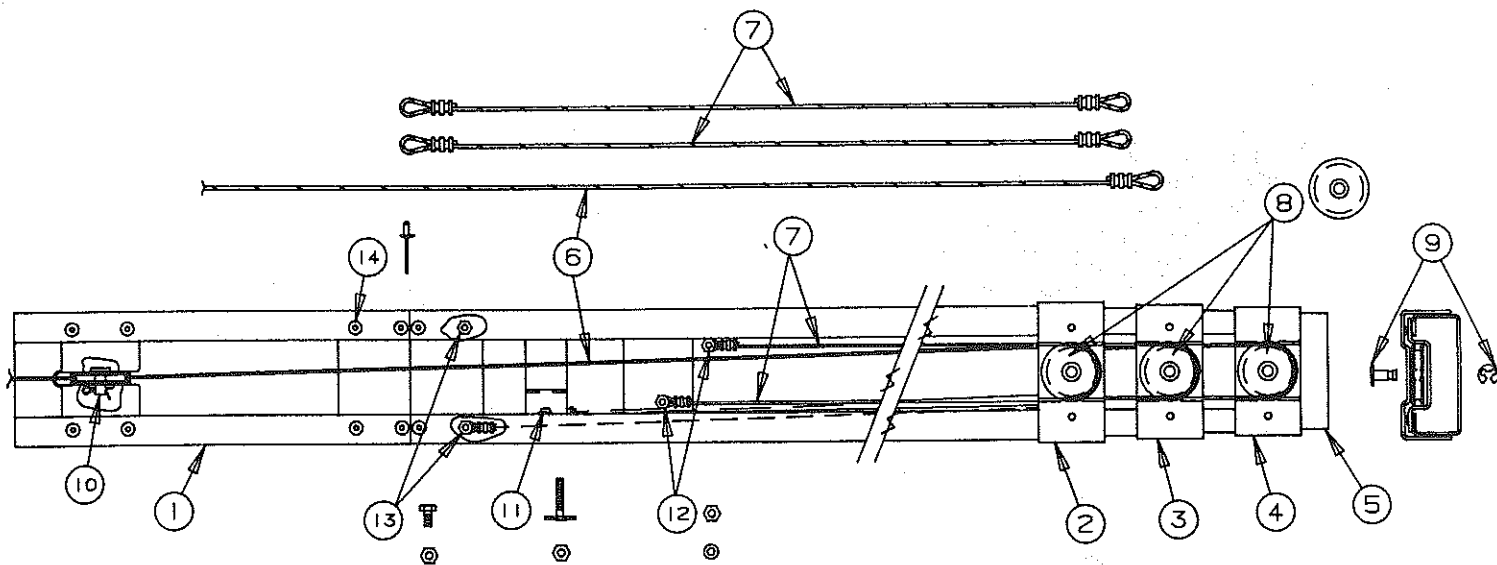
CODE	PART NO.	DESCRIPTION
14	4745A070	Sprocket shaft
15	4730B3828	Bearing
16	4746-0198	Ratchet bracket
	*4737-4508	Ratchet gear
	*4720B1481	Roll pin, M10
	*1202B278	Washer
17	4730B3858	Sprocket
18	1202-2828	Washer
19	4744-4451	Screw eye, M4 (included in whiffletree assy)
20	4744-1318	Cable clip
21	4720H1561	Long pin, M5
22	4715A5371	Pulley and bearing, M10
23	4715C5661	Pulley spacer
24	4744A1748	Cable retainer
25	1204B1231	Cotter pin, M10
26	1202B202	Washer



CAMPING TRAILERS

# 1988 PARTS LIST

LIFT ASSY  
DRAWER CABINET  
ASSY



### LIFT ASSEMBLIES

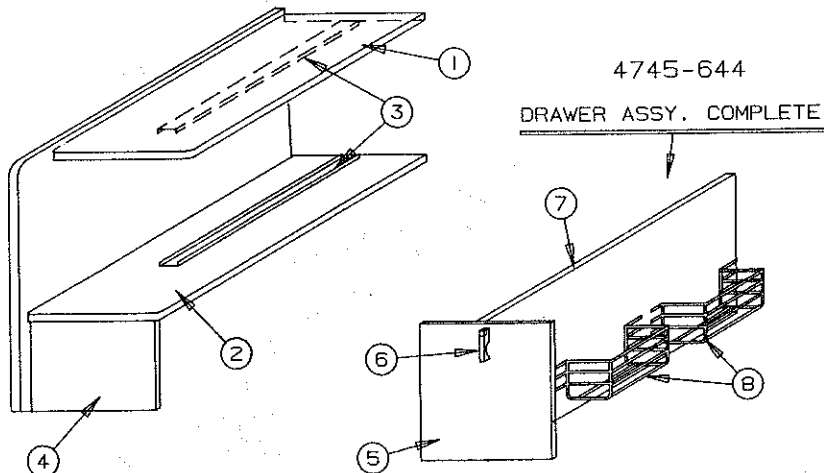
4745-5461 Lift assembly RF/LR  
4745-5471 Lift assembly LF/RR

CODE	PART NO.	DESCRIPTION
1	4745-029	Stationary lift extension
	4720-872	Extension connector
	*1203-8641	Rivet, M50
2	4720F5151	Stationary lift
3		Bottom lift assy,
	4720D5161 4739-6751	(4745-5461, RF/LR) (4745-5471, LF/RR)
4		Center lift assy,
	4720C5171 4739-6731	(4745-5461, RF/LR) (4745-5471, LF/RR)
		Top lift assy,
5	4720C5181 4739-6741	(4745-5461, RF/LR) (4745-5471, LF/RR)
	6	4745-5441 *4744-1318

CODE	PART NO.	DESCRIPTION
7	4731-5691	Cable assy, M2 (51")
	*4720C1691	Cable clip, M20
8	4715A5371	Steel pulley, M10
9	4730F2491	Pin and ring, M3 (includes 4730F249 pin and 4730B098 retaining ring)
	*4730B0981	Retaining ring, M12
10	4720C1571 *1204B1088	Pulley pin, M4 (long) Cotter pin
	11	4737-8178 4741-9218
12		1202B2638 4741-9218
	13	1006B16108
14	1203-8641	Rivet

### DRAWER CABINET ASSEMBLY, 2299

CODE	PART NO.	DESCRIPTION
1	4746-3161	Cabinet top
2	4746-3141	Cabinet shelf
3	4746-317	Slide channel x2
4	4746-320	Kick board x2
5	4746-3181	Drawer front
6	4733B2211 *4716-055	Latch Screw
	7	4746-319
8	4746-3271	Maxi organizer, x4 (screws supplied with rack)



# 1988 PARTS LIST



TOP ASSY

CAMPING TRAILERS

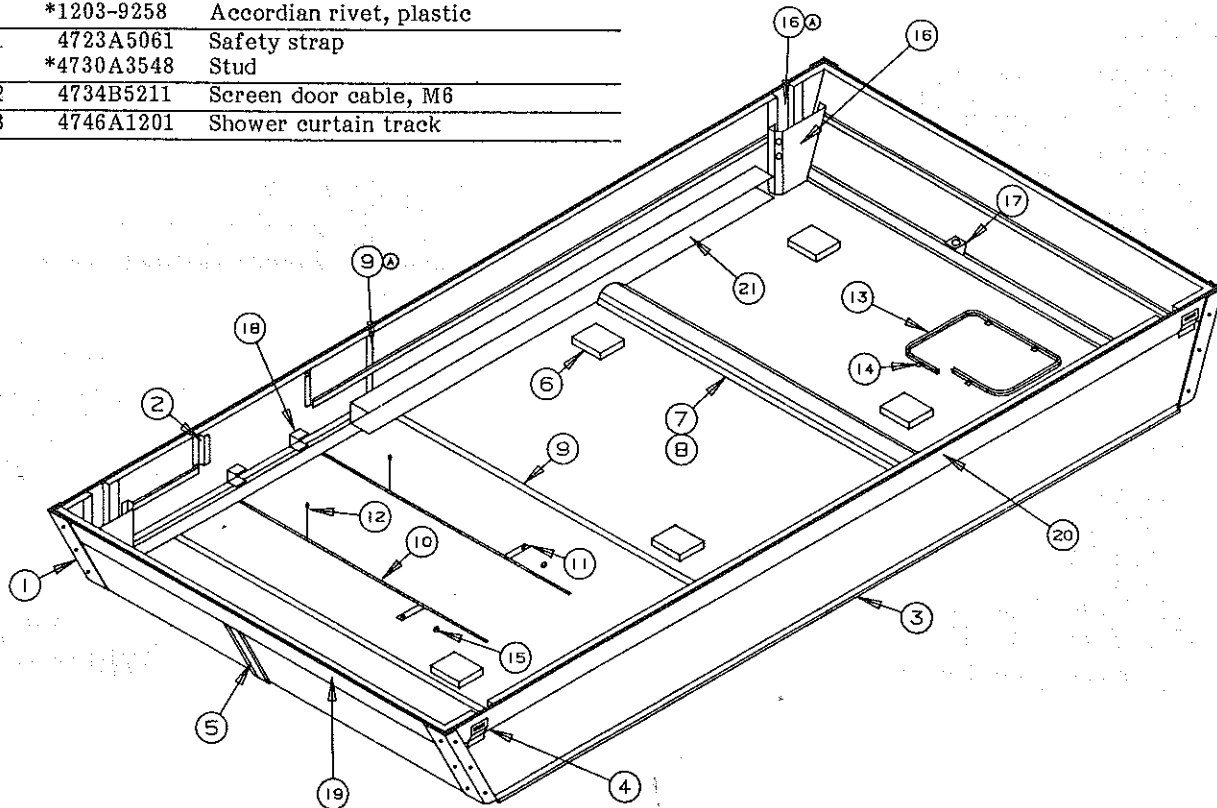
**TOP ASSEMBLY**

4745A5841 Plantation Top Assembly, 2299  
Colonial White

CODE	PART NO.	DESCRIPTION
1	4745A0321	Top corner LF/RR, colonial white
	4745A0331	Top corner RF/LR, colonial white
	*4741A9368	Screw, colonial white
2	4741B8841	Screen door bracket
3	4745A373	Canopy track
	*4741A9368	Screw, colonial white
4	4715B2091	Strike, M4
	*4746-0768	Screw
	*1201B6958	Nut
	*4739-4198	Screw cap
5	4745A375	Center seam extrusion 176 7/8"
	*4741-3508	#8 x 1/2 Hex-head screw
	*406-00-001-96	Center seam vinyl screw cover (sold per foot, 15' required)
6	4737E5911	Dome light complete, x5
	*4714D0891	Dome light lens
	*1103B1028	Screw
	*4734-2388	Wire connector
7	4745A120	Roof brace
	*4746-049	Spacer plate
	*4746-0538	1/4-20 x 1 1/2 SS Screw
8	4746A032	Roof brace cover
	*4746-029	Hole plug 3/4" white, solid
	*4746-0558	Bushing
	*4738-0498	1/4 - 20 x 9/16" Screw
9	4746A030	Trim strip, 77", x2
9A	4746A055	Trim strip, 4 3/4", x2
10	4733E4711	Screen door track
	*4744-4611	Rivet, M25
	*1203-9258	Accordion rivet, plastic
11	4723A5061	Safety strap
	*4730A3548	Stud
12	4734B5211	Screen door cable, M6
13	4746A1201	Shower curtain track

CODE	PART NO.	DESCRIPTION
14	4739-1208	Track mounting bracket
	*1103E1018	Screw
	*4724-727	Shower curtain tie strap
	*1202B2698	Washer
15	*4744-4611	Rivet, M25
	4737-3211	Rubber button, M8
16	4745A3511	Lift pocket cover (RSF/CSR)
	4745A3501	Lift pocket cover (RSR/CSF)
	*4746-029	Hole plug
16A	4745-5551	Lift pocket assy
17	4741C1131	Tent support bracket
	*4741A9368	Screw, colonial white
18	4745C5541	Screen door bracket
	*4741A9368	Screw, colonial white
19	4745A030	End seal extrusion
20	4745A031	Side seal extrusion
	*406-00-003-99	Top seal (sold per foot)
21	4746-243	Curtain track 120"
	*4746A018	Curtain track 75"
	*4741A9368	Screw, colonial white

- 4744-3328 Yellow anti-corrosion sealant
- 435-00-000-58 1/4 x 1 Saturated foam tape
- 435-00-001-75 1/32 x 1 Live rubber tape
- 435-00-000-18 1/4 x 3/4 Foam tape
- 435-00-000-29 1/8 x 1/2 Gray putty tape
- 4737B2838 Colonial white caulking







# 1988 PARTS LIST

## CAMPING TRAILERS

## ELECTRICAL SYSTEM

### CONVERTER CABINET ASSEMBLIES

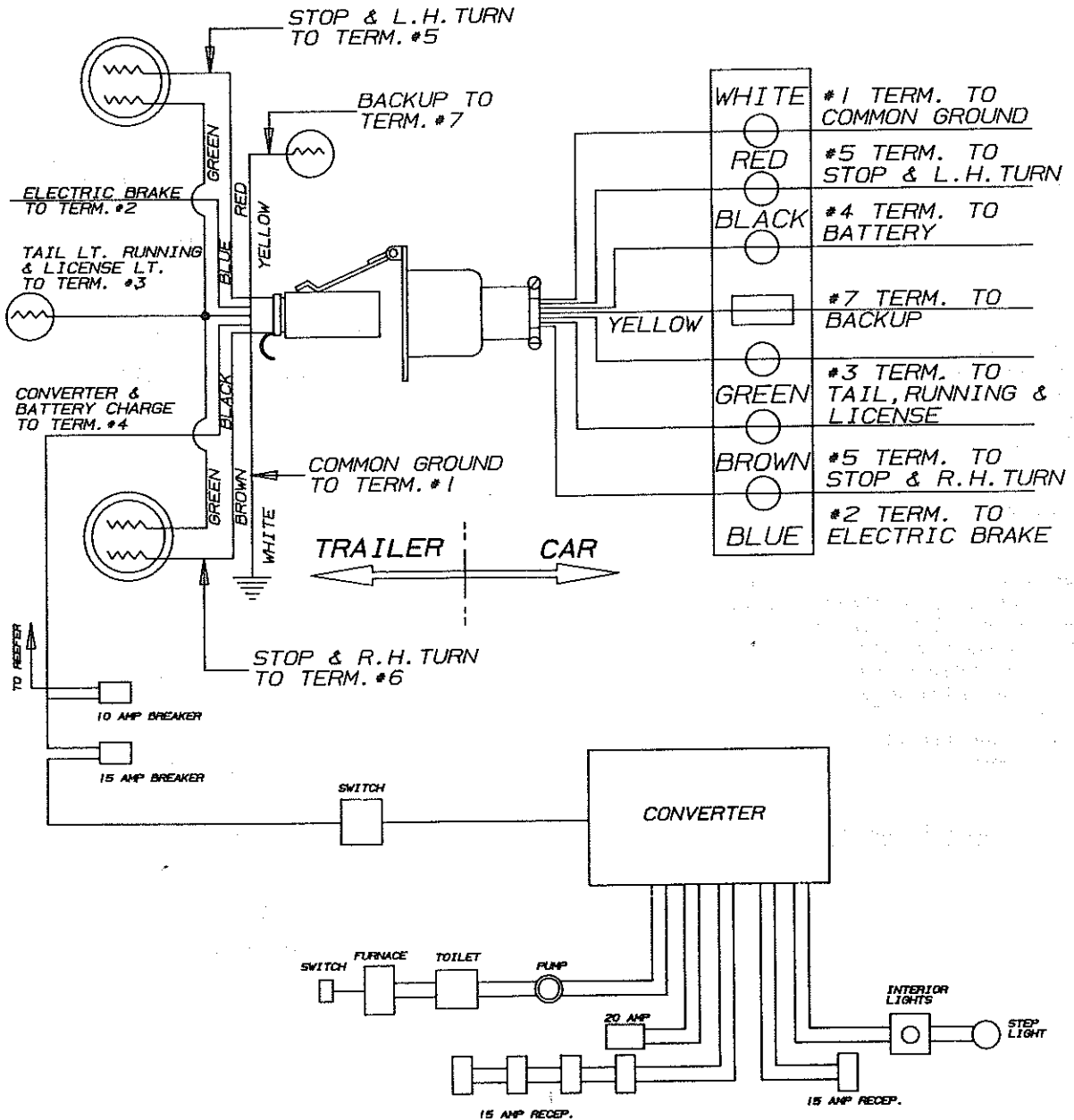
- 4745A1571 Converter  
15 Amp. B-W
- 4744-3101 Power cord, 25' - 30 amp
- 406-00-250-04 Solid wetling 7/32" diameter
- 4746-377 Self stripping fuse holder

### SAFETY SWITCH

- 4746A0971 12 VDC, 20 Amp  
Push-button switch  
(normally closed)  
Front body rail

### LIGHT SWITCH

- 4733B4981 Rocker switch (located in the seat  
assembly and wall panel inside  
access door)
- 4733A4981 Rocker switch (located in  
sink cabinet front)



FRAME COMP'S  
MISCELLANEOUS

1988  
PARTS LIST



CAMPING TRAILERS

COUPLER

- 4745-016 Coupler assy, welded to frame assy
- 4716-0161 Coupler repair kit

STABILIZER

- 4720B0731 Stabilizer assy
- 4739-2298 Nut (stabilizer assy to gusset)

TIRE AND RIM

- 4745A1658 Tire and rim, B78-13, Load range "C"
- 1200B5501 Lug bolt, M4
- 4745A3921 Hubcap 13"

TONGUE JACK ASSEMBLY

- 4720B6661 Tongue jack assy
- 4714-2821 Tongue jack handle repair kit, M2
- 4714-2818 Locking plunger kit
- 4720A3331 Jack bracket, welded to frame assy
- 4720A3341 Snap ring

WIRING

- 4745C5491 Wire harness
- 1201-8738 Clamp
- 4738-2608 Tek screw
- 4746-0911 Wire harness repair kit
- 4746-107 Wire connector 16-14 Ga.
- 4746-108 Wire connector 12-10 Ga.

BUMPER ASSEMBLY

- 4745A8161 Bumper channel upper crank
- 1200B3038 5/16 - 18 x 3/4 Hex-head bolt x4
- 4716-057 3/8 - 16 x 1 Flathead screw x2
- 1202B0468 Washer 13/16" O.D. x6
- 1202B1068 Washer 1 3/8" O.D. x2
- 4734-4358 1 1/2" Snap bushing
- 4745-558 Bumper bracket x2
  
- 4745-3701 Bumper pad M2
- 4738-2608 Screw

- \*4737A5558 Fire extinguisher

PARTS PACKAGE

- 4745A5411 Parts package 2299
  
- 4730A3211 Access door key M10
- 4732A4791 Safety pin M10
- 4771-2631 Hitch pin, M5
- 4735D6741 Pigtail
- 4745-3031 Safety chain
- 4745-6091 Stabilizer handle
- 4745-6211 Crank handle
- 4733F6281 Gas bottle mounting pkg.
- 4739A1291 Regulator
- 4734B3781 Regulator cover
- 4737-8871 Flexible gas hose
- 4746-0401 Breakaway switch kit
- 4746-099 Bargman receptacle kit
- 1014B1006 #10 x 3/8" Screw
- 1200E1338 1/4 - 20 x 2" Hex-head bolt
- 1201B6038 1/4 - 20 Lock nut x2
- 1201B6958 Keps nut

TUB PACKAGE

- 4745A5601 Tub package includes the following:
  - 4737-9138 1 1/2" to 3/4" Drain adapter
  - 4746-3761 Shower head with bracket
  - 4746-3691 Telephone shower hose assy

TOUCH-UP PAINT - 16 oz spray

- 0008A2441 Colonial White

WIRING - 115 VAC

Note: 14 AWG "Romex" wire can be purchased locally.

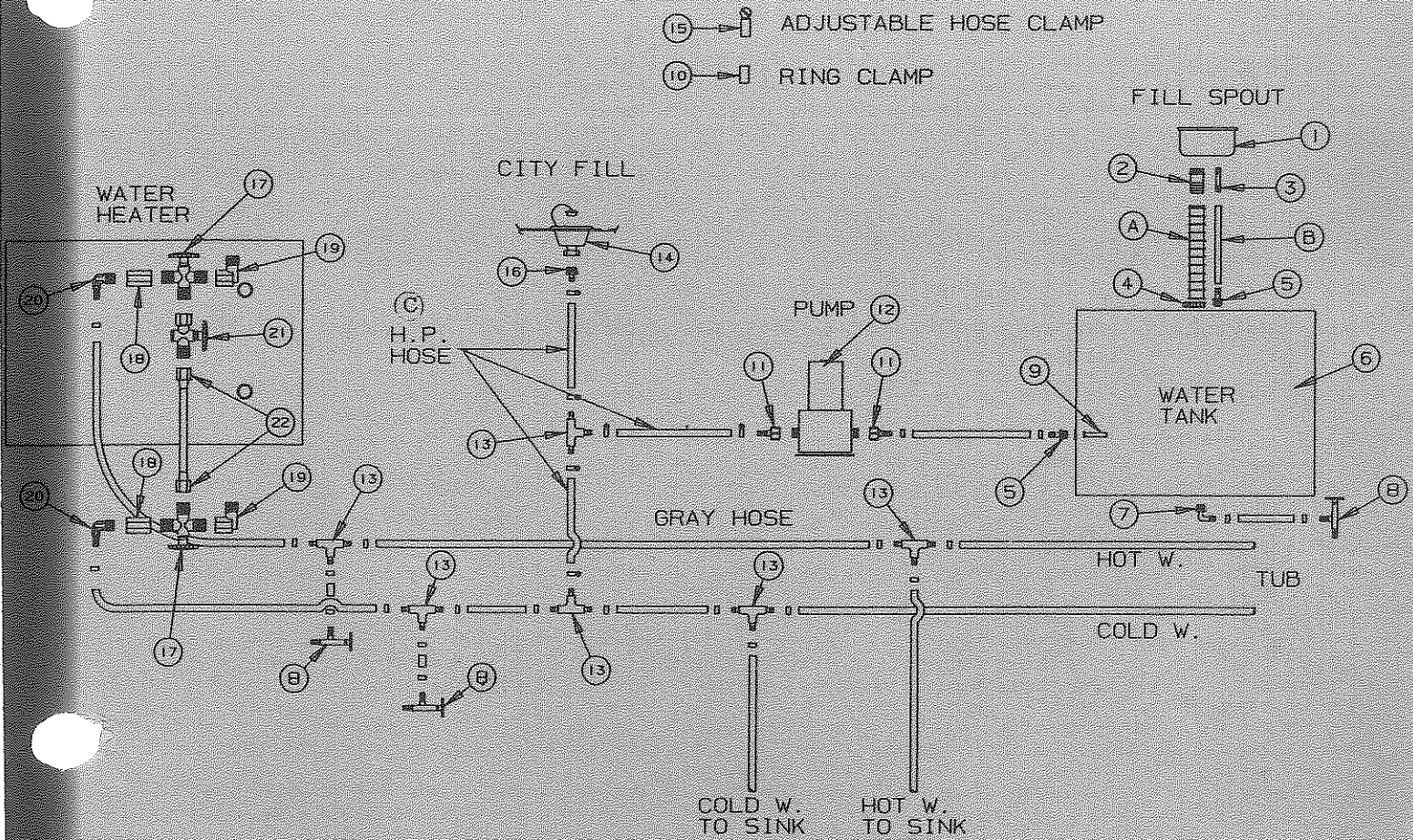
- 4710B3551 Receptacle and box

PANELING AND TRIM

- 4745-4421 Luan paneling - bayview birch (25 3/16 x 48")
- 4745-4211 Panel divider M5 (24 3/4")
- 4745-4221 Corner divider M3 (24 3/4")
- 4745A9321 Toe molding M3 (35 7/8")
- 4745A2211 Outside corner molding M2 (34 1/4")
- 4745-8611 Inside corner molding M4 (23 1/4")

STEP DOWN LIGHT

- 4746-3631 Versa light



**WATER SYSTEM - 2299**

CODE	PART NO.	DESCRIPTION
1	4731C1711	Fill spout
	*4741-3508	Screw
2	4744-1288	Barbed nipple, 1 3/8 barb - 1 1/4 MPT
3	4744-1298	Barbed connector, 3/8 - 3/8
4	4715-4501	1 1/4" Hose clamp
5	4732A4561	Barbed nipple, 3/8 barb - 3/8 MPT
6	4741A3451	Water tank
7	1218-3518	Adapter
8	4741A2368	Drain
9	4737-4641	Tank filter
10	4741-2758	Ring clamp
11	4744-1508	Swivel connector
	*4744-2338	Nut, 1/2 FPT
	*4744-2348	Barb, 3/8
12	4741A5571	Pump
13	4741-2388	Barbed tee, 3/8 - 3/8 - 3/8
14	4732D1521	City fill
15	4731-3058	Adjustable hose clamp
16	4732-4561	Plastic fitting
17	4746-3748	Tee valve
18	4746-3728	Female coupling
19	4746-3718	Female elbow
20	4741-2378	Elbow
21	4746-3708	Straight stop valve
22	4746-3738	Quicktite

A - 406-00-250-03 1 3/8" ID flexible non-toxic hose  
 B - 406-00-000-50 3/8" ID transparent hose  
 C - 4714-038 3/8" ID high-pressure hose

\*All tubing sold per foot.