

# COLEMAN

## Camping Trailer

*We have a  
bright reputation  
for quality*

### Pioneer™ Series

Redwood® 1969 7'  
Columbia™ 1967 7'  
Newport™ 1985 9'  
Cape Cod™ Chesapeake 1993  
Jamestown™ Limited 1968 7'

### Americana™ Series

Sun Valley® 1980 9'  
Royale™ 1970 9'  
Shenadoah® 1990 11'  
Sequoia® 1910 11'  
Williamsburg™ 1995 11'  
Colorado 1955 7'



**1985**  
No. 11N

**REPAIR PARTS & ACCESSORIES**

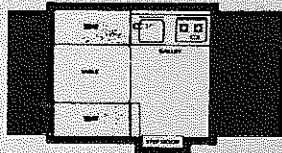
# The Pioneer™ Series.

## Jamestown™ 7'



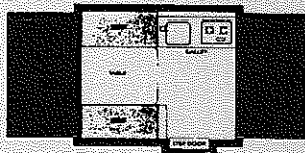
- Sleeps four
- One double bed
- Two vinyl windows
- Three-amp power converter
- 790-lb. curb wt.\*

## Redwood™ 7'



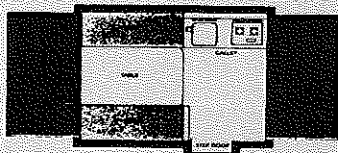
- Sleeps five
- One double and one single bed
- Vinyl-backed drapes
- Three-amp power converter
- 847-lb. curb wt.\*

## Columbia™ 7'



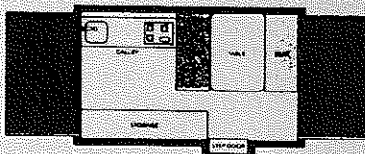
- Sleeps six
- Two double beds
- Waist-level crank
- Three-amp power converter
- 885-lb. curb wt.\*

## Newport™ 9'



- Sleeps six
- Two double beds
- Vinyl-backed drapes
- 10" tires
- Six-amp power converter
- 990-lb. curb wt.\*

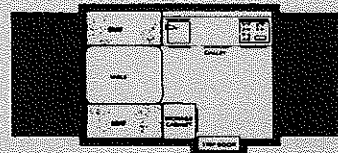
## Chesapeake™ 11'



- Sleeps six
- Two double beds
- Three-burner stove
- Side dinette
- Six-amp power converter
- 680 lb. cargo capacity
- 1,185-lb. curb wt.\*

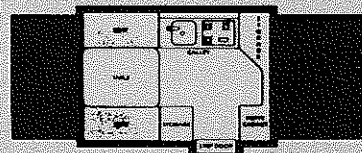
# The Americana™ Series.

## Sun Valley™ 9'



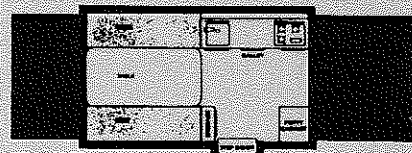
- Sleeps six
- Two double beds
- Three-burner stove
- Wardrobe rack
- 10" tires
- 895-lb. curb wt.\*

## Royale™ 9'



- Sleeps six
- One queen-size bed and one double bed
- Three-burner stove
- Spacious Swing-Level™ Galley and cabinets
- 1,160-lb. curb wt.\*

## Shenandoah® 11'



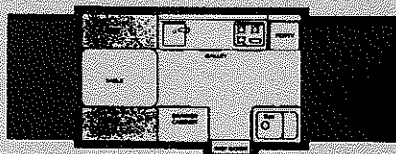
- Sleeps eight
- One queen-size bed and one double bed
- 56" dinette seats six or more
- Three-burner stove
- Wardrobe rack
- 1,240-lb. curb wt.\*

## Sequoia™ 11'



- Sleeps seven
- One queen-size bed and one double bed
- Side dinette
- Three-burner interior stove
- Two-burner exterior stove
- Wardrobe rack
- Chest of drawers
- 1,240-lb. curb wt.\*

## Williamsburg® 11'



- Sleeps seven
- One queen-size bed and one double bed
- Three-burner stove
- Tub and shower
- Portable toilet
- Hot water heater
- Wardrobe rack
- Chest of drawers
- 1,365-lb. curb wt.\*

The Difference  
is Economy.



NEW  
SPORTY

Colorado

The Difference  
is Luxury.



Camping Trailers

# 1985 PARTS LIST

## Table of Contents

### NOTES:

DESCRIPTION	PAGE NUMBER
Access door assemblies .....	6
Accessories and repairs .....	4, 5
Axle assemblies and components .....	6, 7
Backrest assemblies and covers .....	19
Bed assemblies.....	9
Bed extensions.....	9
Body corners - Pioneer series .....	12
Body panel assembly details	
Front.....	11
Rear .....	11
Right rear.....	12
Right front.....	12
Left.....	13
Body panels, trim tape, and decals.....	10
Cabinet assemblies	
Front cabinet - 1970.....	14
Hutch assembly - 1910, 1993 .....	14
Storage cabinet - 1980 .....	15
Potti cabinet - 1990 .....	15
Chest of drawers - 1995 .....	15
Shower cabinet .....	16
Cabinet doors.....	8
Canvas assemblies.....	18
Canvas support assemblies.....	9
Chassis assembly.....	17
Converter cabinet assembly .....	20
Coolers .....	14
Crank and sprocket assemblies .....	27
Curtain packages and components .....	19
Cushion assemblies and covers .....	19
Drape packages .....	18
Electric brakes .....	8
Evolution assemblies.....	18
Gas systems .....	24, 25
Hatch door assembly.....	25
Hot water heater door - 1995 .....	12
Hubcap .....	7
Lift assemblies .....	26
Lift bar assembly .....	20
Lower galley assemblies.....	23
Lower galley filler assembly .....	22
Mattress assemblies and covers .....	19
Miscellaneous.....	33
Paneling and trim .....	13
Plumbing system - 1995 .....	16
Ratchet assembly .....	27
Rivets .....	32
Screen door and jamb assemblies .....	28
Seat frame assemblies .....	13
Seat frame cabinet drawer - 1990 .....	13
Seat frame cabinet tops.....	13
Sink and drain system .....	22
Spring attachments.....	7
Step door light .....	6
Stove components .....	22
Table components .....	28
Tire and rim .....	7
Tire cover.....	7
Tire mount - Pioneer series.....	7
Top assemblies.....	29
Upper galley assemblies .....	21
Water systems .....	30, 31
Whiffle tree and parts .....	26
Colorado Parts.....	34, 35

## ACCESSORIES AND REPAIR PARTS

## Air Conditioner, MiniMach - 6727-707

6723A716 Ceiling asy with heat strip  
(required w/above air conditioner)

## Air Conditioner Kit, MiniMach - 4737C8091

4731B1311 Breaker box with cover  
4733-2331 Cable hatch  
4741-462 Spacer plate x2  
4741A6201 Top brace asy (upright) x2  
4741B463 Top brace (across top)  
4744-3071 20 amp breaker switch x2  
4744-3081 20 amp receptacle  
4744-3091 17', 20 amp cord  
4744-3101 25', 30 amp cord  
1020E1624 1/4 - 20 x 1 1/2" screw x4  
1103E1016 #10 x 1" stainless machine screw x4  
1201-865 3/4" cable clamp x2  
1201-863 3/8" cable clamp  
1201B603 1/4-20 lock nut x2  
1202E281 1/4" stainless flat washer x4  
1212-012 White grommet  
1216-451 3/8" conduit connector x2  
4724-260 Nylon recessed bumper x2  
4724-5951 Webbing tiedown strap asy x4  
4730A354 Plated stud  
4733-411 #10 x 1/2" tek screw  
4737-130 Squeeze terminal (ground)  
4741-965 Expansion rivet (7/8"), x11  
4741A936 #10 x 5/8" screw, beige, x12  
4741B936 #10 x 5/8" screw, white, x3  
4744-311 Heyco 1" bushing  
4744-581 Cord cover, vinyl  
435-00-00-58 1/4 x 1" foam tape

## Auto Extension, 12 VDC, 25' - 4733C6701

## Bike Rack, Rear Mount, White - 4744-5831

4724-7881 Tiedown strap asy x4  
4739-4881 Rack hook x2  
4739A484 Cross brace  
4739A485 Rack tube top bracket x2  
4739B631 Rack tube asy x2  
4741A802 Top bracket support pad x2  
1014E1024 #10 x 1 1/2" S.S. machine screw x4  
1103E1010 #10 x 5/8" S.S. screw x4  
1201B695 #10 keps nut x4  
1201C636 1/2-13 locknut x4  
4732A479 Safety pin x2  
4771-263 Hitch pin x2  
435-00-000-56 1/8 x 1" foam tape  
435-00-000-91 1/8 x 2" neoprene rubber

## Bike Rack, Roof Mount, White - 4739B6091

Note: Requires 4737A8231 boat/luggage rack.

4737-940 Cycle channel x2  
4737A939 Brace x2  
4737A950 Tiebar asy  
1200E115 1/4 - 20 x 1 1/4" bolt x4  
1200E126 1/4 - 20 x 5/8" S.S. bolt x4  
1200E133 1/4 - 20 x 2" S.S. bolt x2  
1201B603 1/4-20 locknut x8  
1201E612 1/4-20 acorn nut x2  
4737-935 Tiedown strap asy x4  
4738-172 7/8" square tube plug x6  
**Boat/Luggage Rack, White - 4737A8231**  
4737A901 Boat/luggage rack rail x2  
4739A690 Rail support asy x4  
1014E1024 #10 - 24 x 1 1/2" S.S. machine screw x8  
1103E1016 #10 x 1" screw x8  
1200E145 1/4 - 20 x 2 1/2" S.S. machine screw x8  
1201E612 1/4-20 acorn nut x8  
1201E639 10-24 S.S. lock nut x8  
4737-903 3/16 x 2 x 12" neoprene pad x4

4739-695 S-hook x6  
4744-270 Gutter cup x2  
406-00-218-01 Polypropylene rope  
435-00-000-91 1/8 x 2" neoprene rubber

## Bumper, Storage, Black - 4733G6481

4733D648 Storage bumper  
4734F5831 Frame extension asy left  
4734F5841 Frame extension asy right  
1200B303 5/16 - 18 x 3/4" bolt x10  
1202B102 Washer x4  
1203-925 Accordion rivet x2  
4737-819 Panel gasket x2

## Canoe and Boat Kit - 4737B8081

4737-936 Tiedown  
4739-695 "S" hook x2

## Canopy, Self-storing, Blue and White

4724E7001 7' models  
4724F7011 9' models  
4724F7021 11' models  
4724D657 Canopy only 7' models (4724E7001)  
4724E655 Canopy only 9' models (4724F7011)  
4724E656 Canopy only 11' models (4724F7021)  
4714-2671 Canopy bag 7' models  
4714-2681 Canopy bag 9' models  
4714-2691 Canopy bag 11' models  
4737A145 Canopy support 7' models  
4737A139 Canopy support 9' models  
4737A1541 Canopy support 11' models  
4737B5971 Pole asy x2  
8470-174 Red cap (lower pole) x2  
4720A2361 Support rod & pal nuts  
4734-670 Spring cup  
4737A425 End cap, canopy support x2  
4737-320 Screw x4  
1107B0606 #6 x 3/8" screw x2  
1201E733 Pal nut (canopy stops) x2  
8460A1431 Poly rope 10', x2  
4724-3931 Rope adjuster x2  
4724-255 12" hook stake x2

## Cooler

5283-706 Blue/white, 40 qt., chest-type  
4739B279 Brown/white, 48 qt., chest-type  
4744-9001 Brown/beige, 68 qt., "convertible"

## Curtains and Drapes

Refer to page xx

## Electric Brake Package, 4714E2011

Fits 1 1/6" dia. straight spindle  
Refer to page xx for components

## Foreign Car Wiring Kit, 4739-6171

4739-4891 Amber lens

## Furnace: 16,000 BTU, HydroFlame, 4741-6421

12,000 BTU, HydroFlame, 4741-6571

Refer to page xx for "HydroFlame" information  
Furnace Installation Kit (HydroFlame), 4737D8041

4741-9471 Vent package  
4741A913 Filler, top  
4741A914 Filler, bottom  
4741A915 Filler, right  
4741A916 Filler, left  
4741A926 Galley divider, left  
4741A927 Galley divider, right  
1103B0806 #8 x 3/8" screw x6  
1103B1032 #10 x 2" screw x4  
1103E1008 #10 x 1/2" S.S. screw x13  
1201-865 3/4" tube clamp x4  
1201-870 3/8" tube clamp x2  
1202B026 Washer x6  
1203-894 Rivet x2  
1215-177 Flare tee  
1215-241 Flare nut x4





- 1216-208 Wire connector x3
- 4733A412 Grommet x1
- 4734-186 Rivet x4
- 4734-389 3/4" bushing
- 4735A683 Heater pigtail
- 4737-925 Recessed thermostat mount
- 4739-052 Antique copper screw x6
- 4739-125 1/2" Heyco bushing
- 4741-925 Wood strip x2
- 435-00-000-29 1/8 x 1/2" putty tape
- Furnace, 12,000 BTU, ST-200, 4737E6921**
- Refer to 1984 parts catalog, pages 20 and 21 for component breakdown
- Furnace Installation Kit, ST-200, 4737K6741**
- 4737B922 Vent package
- 4741A926 Galley divider left
- 4741A927 Galley divider right
- 1103B0806 #8 x 3/8" screw x8
- 1103B1032 #10 x 2" screw x4
- 1103E1008 #10 x 1/2" S.S. screw x13
- 1201-865 3/4" tube clamp x4
- 1201-870 3/8" tube clamp
- 1202B026 Washer x4
- 1203-894 Rivet x2
- 1215-177 Flare tee
- 1215-241 Flare nut x4
- 4733A412 Grommet
- 4734-186 Rivet x4
- 4734-389 3/4" bushing
- 4735A683 Heater pigtail
- 4737-925 Recessed thermostat mount
- 4737C666 Filler plate x2
- 4738-138 1/2" dia. nylon spacer x2
- 4739-052 Antique copper screw x8
- 4739-125 1/2" Heyco bushing
- 4741-925 Wood strip x2
- 435-00-000-29 1/8 x 1/2" putty tape
- Gas Bottle Cover, White, 4724B6441**
- Grill, Coleman, Teflon II, 5410A700 (M3)**
- Inflate-All I, 200 psi, 2239E707**
- 2239-7501 Optional 15' extension w/battery clips
- Oven, Coleman Camp, 5010A700**
- Overhead Storage Cabinet, Red Oak, 4739B6331**
- 4739A634 Door assembly
- 4733-6391 Latch and strike pkg x2
- 4739-437 Hinge
- 4739-052 Antique copper screw
- 4733-060 Rivet
- 4739-290 Screw cap, brown
- 4739-291 Screw cap washer
- 4744-832 Hanger bar
- 1016B1018 #10 x 1 1/8" machine screw x2
- 1201B695 Keps nut x2
- 4739-480 Hanger bracket x2
- 4741-445 Conversion bracket x2
- 4737-321 Rubber button
- 1103E1008 #10 x 1/2" S.S. screw x10
- Portable Toilet, 4741A285**
- Refrigerator, Portable, 3/way, 4737A8331**
- 4737-9381 Refrigerator 12 VDC ext. cord
- Screen Room, blue and white (requires canopy)**
- 4723C6771 7' models, used with 4724E7001
- 4728B5621 9' models, used with 4724F7011
- 4728D5601 11' models, used with 4724F7021
- 4723A5291 Pole asy
- 4734-670 Spring asy
- 8470-172 Pin, blue, inner pole
- 8470-225 Pin, blue, outer pole
- 4724-794 Screen room bag

- 4723-5801 Screen room adapter right
- 4723-5811 Screen room adapter left
- 1225U346 Zipper, slider half x2
- 1225U347 Zipper, pin half x2
- 1225-418 #5 zipper pull
- 665-05-000-28 Chain zipper
- 375-00-054-01 54" wide screening
- 435-00-001-01 3/4" velcro loop, sew on
- 435-00-000-02 3/4" velcro hook, sew on
- 435-00-000-07 3/4" velcro hook, pressure
- 406-00-000-45 1/4" dia. shock cord
- 4724-201 Shock cord clip
- 4741-497 Dimpled bumper
- 4743-275 S-hook
- Sleeping Bag, blue, 33" x 72", 2 lb., 8121A522**
- Spare Tire Cover, burgundy logo**
- 4728B5341 Fits 4.80 x 8" tire and rim
- 4728J5101 Fits 20.5 x 8 x 10" tire and rim
- 4723A7121 Fits A78-13 tire and rim
- Spare Tire Mount - Pioneer Series, 4741-6561**
- 4741-656 Tire mount asy
- 4737-958 Tire mount stud asy
- 1178B161 1/4 - 28 x 5/8" tapping screw x2
- 1189B1612 1/4 - 20 x 3/4" tapping screw x2
- 1201B661 1/2 - 13 lugnut x2
- Spare Tire Mount - Aspen, 4743-6001**
- 4738B136 Chain bar tire mount
- 1200B151 1/2 - 13 x 3/4" bolt x2
- 1201C636 1/2 - 13 lock nut x2
- 1202B058 Washer x2
- Stove, Propane, Two-burner, 5410A700**
- 5410A785 Recreational vehicle adapter
- 4714-7931 12' Hose and regulator fitting
- 5410-7931 10' Hose and regulator fitting
- 5445A5561 15 P.S.I. regulator w/14' hose
- 5410-7901 Propane bulk adapter
- Stove Mounting Kit, 4714B5981**
- 1103B0808 #8 x 1/2" screw x9
- 4734-569 Outside stove bracket
- 4734-670 Spring cup
- 4734A292 Stove rest
- 4734A305 Bracket x2
- 4734A326 Stove brace bracket
- Stove and Mounting Kit Complete, 4714C5981**
- 5410A700 Propane stove w/regulator
- 5410-5661 Hose
- 4739-697 Throw-away cylinder adapter
- 4739-699 Street tee
- 4737-937 Stove support
- 4737-933 Stove support bracket
- 4740A189 Support bracket x6
- 4734A305 Bracket x2
- Vanity Board, 4733F6341**
- 4734-202 Chain x2
- 4734-203 "S" hook x4
- 4734-204 Eye screw x2
- 4734A168 Cup dispenser
- Wardrobe Rack, Kansas Beige, 4733C6441**
- 4733B644 Wardrobe hanger asy
- 4734B153 Wardrobe bracket x2
- 4737-321 Rubber button
- 4741A445 Conversion bracket
- 1201B638 Lock nut x4
- 1103E1008 Screw x7
- 1022B081 Screw x2

Access Door Ass'ys  
Axle Ass'ys and  
Component Parts

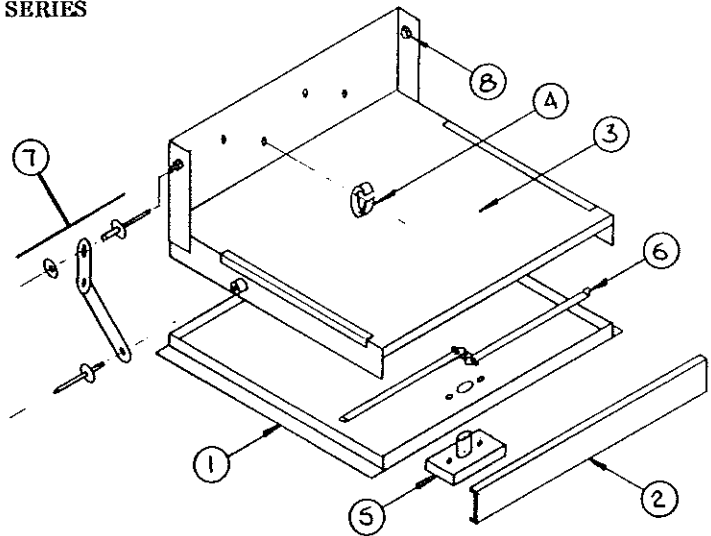
1985  
PARTS LIST



**ACCESS DOOR ASSEMBLY**

4739B6541 1967, 1968, 1969, 1985, 1993 - PIONEER SERIES  
4733R5161 1970, 1980, 1990, 1910, 1995 - AMERICANA SERIES

CODE	PART NO.	DESCRIPTION
1	4737A8591	Access door skin - PIONEER
	*435-00-003-97	Trim tape, 3 feet required on trailers prior to xx/xx/84
	*435-01-003-97	Trim tape, 3 feet required on trailers after xx/xx/84
	4741C0321	Access door skin - AMERICANA
	*435-00-005-95	Trim tape, 3 feet required
2	4731E233	Access door cap - PIONEER
	*1203-8641	Rivet, M50
	4731F233	Access door cap - AMERICANA
	*4733A0601	Rivet, M25
3	4731H2291	Step door covering
4	4734-243	Snap clip
	*4733-411	Tek screw
5	4730B3111	Lock handle
	*1032B1014	Screw
	*1201B695	Keps nut
	*4737A463	Open decal
	*4730A3211	Access door key, M10
6	4730A5201	Lock bar assembly
	*4741-143	Reinforcement plate
	*1202B852	Lock washer
7	4734-5571	Swing arm assembly
	1203C8721	Rivet, M25
	1202B046	Washer
Note: Rivet and washer included in swing arm package.		
8	1006B242	Bolt, 3/8 - 16 x 1 1/4
	1202B046	Washer
	1201B518	Nut, 3/8 - 16



Note: 406-00-250-06, 1/8 x 1/2 adhesive-backed foam tape on inside door skin flanges.

**STEP DOOR LIGHT**

4737A5901	Light assembly (complete)
4714A0951	Light lens
4733A4981	Light switch

**AXLE ASSEMBLIES**

Pioneer Series	Axle Beam	*Hub Ass'y	Spring
1967 Columbia			
1968 Jamestown	4741B6251	4738A0451	4738-0981 2 leaf 600#
1969 Redwood			4741B3381
1985 Newport	4741B6251	4738A0451	2 leaf 750# 4735C2201
1993 Chesapeake	4741B6251	4738A0451	3 leaf 1000#
<b>Americana Series</b>			
1970 Royale			4741B3381
1980 Sun Valley	4741B6251	4738A0451	2 leaf 750#
1990 Shenandoah			4735C2201
1910 Sequoia	4741B6251	4738A0451	3 leaf 1000# 4735C2201
1995 Williamsburg	4741B6251	4714-3041	3 leaf 1000#

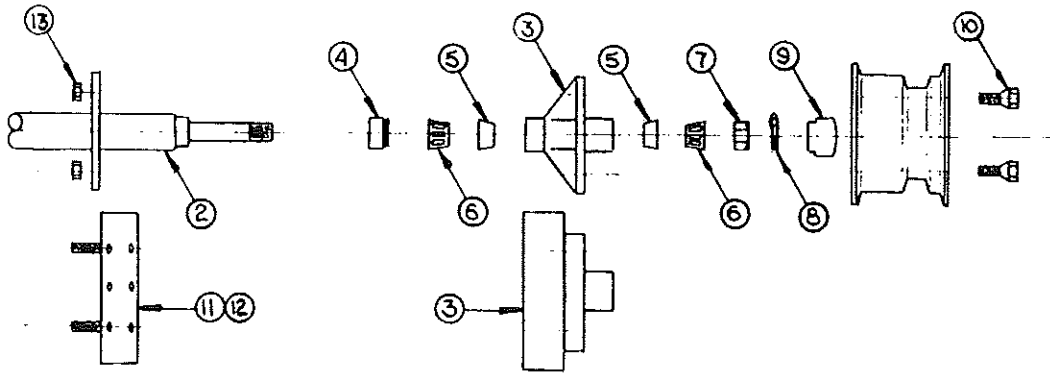
**Note:**

Axle beams are 2000 pound capacity with brake mounting flanges, straight spindle, 1 1/16" diameter, 63" track width, 26" spring mount on 51" centers, underslung mounting.

\*4738A0451 - Hub assembly complete with races and lug bolts.

\*4714-3041 - Hub and drum assembly complete with races, bearings and grease seal.

Refer to page 8 for electric brake packages and repair parts.

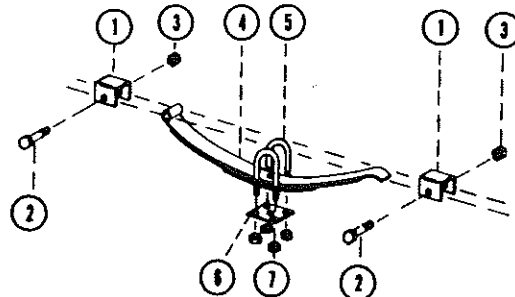


CODE	PART NO.	DESCRIPTION
4	4714A2201	Grease seal
5	4714-2221	Inner and outer cup (race) L44610
6	4714-2231	Inner and outer cone (bearing) L44649
7	4714-306	Spindle nut
8	1204-126	Cotter pin
9	4714-0621	Grease cap
10	1200B550	Lug bolt, 1/2 - 20 with 13/16" hex head
*11	4733A3521	Righthand electric brake asy, 7"
*12	4733A3531	Lefthand electric brake asy, 7"
13	1201B527	Nut 7/16 - 20 (S/A 4714-229)

**Note:** Refer to page 8 for the component parts of the electric brake assemblies.

**SPRING ATTACHMENTS**

CODE	PART NO.	DESCRIPTION
1	4741B339	Rear spring shackle
	4741A339	Front spring shackle
2	4737A131	Shackle bolt
3	4741-949	Shackle bolt nut
4	Refer to axle assemblies chart, page 6.	
5	4741-843	"U" bolt
6	4741-845	"U" bolt plate
7	4741-935	"U" bolt nut



**Note:** "U" bolt nut should be tightened to 180-210 in. lbs.  
"U" bolts should be tightened evenly across the plate.

**WHEEL ASSEMBLIES AND ACCESSORIES**

Pioneer Series	Tire & Rim	Tire Cover	Hubcap
1967 Columbia	4715A379	4728B5341	4737-9611
1968 Jamestown	4.80x8		(pkg of 2)
1969 Redwood			
1985 Newport	4730A387	4728J5101	4714-4441
1993 Chesapeake	20.5x8x10		(pkg of 1)
<b>Americana Series</b>			
1970 Royale			
1980 Sun Valley	4730A387	4728J5101	4714-4441
1990 Shenandoah	20.5x8x10		(pkg of 1)
1910 Sequoia			
1995 Williamsburg			

**Optional 13" Tire & Rim**

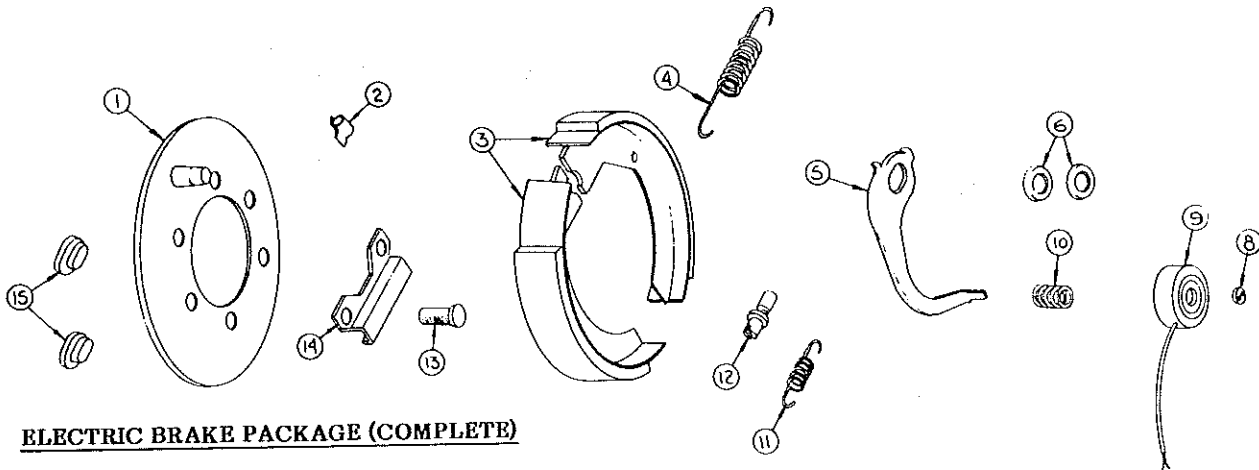
4744A222 - A78-13, Load Range "C"

**13" Tire Cover**

4723A7121 - Burgundy logo on white

**Pioneer Series Spare Tire Mount**

4741-6561 - Kansas Beige



**ELECTRIC BRAKE PACKAGE (COMPLETE)**

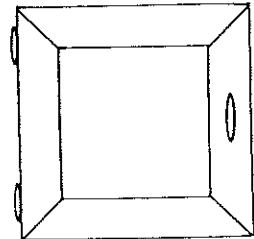
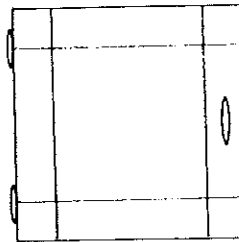
4714E2011 for 1 1/16" diameter straight spindle

Item	Coleman Part No.	Dexter Part No.	Qty/ Brake	Description
1		36-36-4	1	Backing plate assembly
2		46-23	2	Shoe hold-down spring
3	4714B2071	40-125 40-49	1 1	Primary shoe and lining asy Secondary shoe and lining asy
4	4714A241	46-24	1	Retractor spring
5	4714A243 4714A244	47-30-4 47-29-4	1 1	RH actuating lever arm LH actuating lever arm
6	4714A246	46-30	2	Anchor post clip
7		27-5	1	Wire clip
8	4714A247	46-39	1	Magnet retainer clip
9	4714C2451	42-44	1	Magnet asy
10	4714A242	46-25	1	Magnet housing spring
11	4714A210	46-22	1	Adjustable screw spring
12	4714A204	43-11	1	Adjusting screw
13		7-41	4	Backing plate bolt
14		64-1	1	Stabilizer bracket
15		46-7	1	Plug

4733A3521 23-48 RH complete brake asy only  
 4733A3531 23-47 LH complete brake asy only

**Cabinet Door Assemblies and Components**

- 4737F5171 Pioneer Series upper galleys  
Shower cabinet (x2) 1995
- 4739C5321 Pioneer Series lower galleys  
Hutch assembly 1993
- 4744-5721 Americana Series upper galleys
- 4744-5731 Americana Series lower galleys  
Storage cabinet assembly 1980  
Front cabinet assembly (x2) 1970  
Hutch assembly 1910
- 4741C6381 Front cabinet assembly (x1) 1970  
Potti cabinet 1990
- 4741F5461 Shower cabinet (x1) 1995



4739A050	Door Pull	
	1022B0810	Screw (plain door)
	1022B0814	Screw (deluxe door)
4739A051	Hinge	
	4739-052	Screw (plain door)
	4738-308	Screw (deluxe door)
4733-6391	Latch and strike package	
	1103B0806	Screw (plain door)
	4738-308	Screw (deluxe door)



### BED ASSEMBLIES, EXTENSIONS, AND SUPPORTS

Model	Bed Extension			Bed Extension			Bed Support	
	*Front Bed Assy	Curb-side	Road-side	*Rear Bed Assy	Curb-side	Road-side	Front	Rear
<b>Pioneer Series</b>								
1967	4739B6218	4739-6151	4739-6191	4739A6658	4739B6191	4739B6191	4720F5821	4734D5881
1968	4739B6218	4739-6151	4739-6191	None	None	None	4720F5821	None
1969	4739B6218	4739-6151	4739-6191	4744A518	4737-5281	4737-5281	4720F5821	4737D5271
1985	4744A510	4731-6291	4739-6191	4741B649	4739-6191	4739-6191	4720F5821	4734D5881
1993	4744A520	4731-6291	4731-6291	4744A519	4731-6291	4731-6291	4720F5821	4734D5881
<b>Americana Series</b>								
1980	4741D510	4731-6291	4739-6191	4741D509	4739-6191	4739-6191	4720F5821	4734D5881
1970	4733F650	4744-5861	4733C6291	4739A665	4739B6191	4739B6191	4720F5821	4734D5881
1990	4733F6508	4744-5671	4733B6291	4720M539	4731-6291	4731-6291	(Short)	4734D5881
1910	4733F6508	4744-5671	4733B6291	4720L5396	4731-6291	4733-6291	4733E6351	4734D5881
1995	4733F6508	4744-5671	4733B6291	4741B600	4731-6291	4731-6291	(Long)	4734D5881

**\*Note:** Bed assemblies are a special order and are shipped complete less mattress.

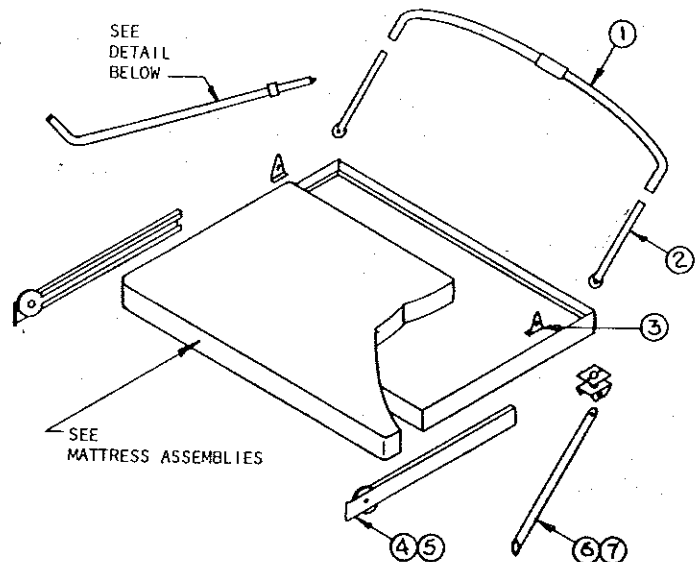
See page 19 for Expanda-Bed mattress cushion assemblies.

### BED ASSEMBLY DETAILS

CODE	PART NO.	DESCRIPTION
1	4737D2631	Upper canvas bow assembly
2	4737D2641	Lower canvas support
	*4733-411	Tek screw, lower to upper
3	4720D5631	Bed bow bracket
	*1014B1006	Screw, bow brkt to lwr supt

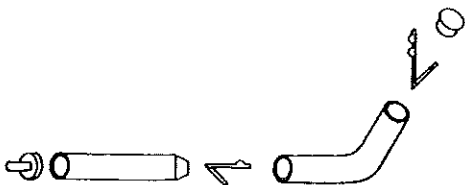
### MISCELLANEOUS HARDWARE

4734A5141	Bed leg support bracket
4720A2361	Bed leg support rod & pal nut
4739-290	Screw cap
4739-291	Screw cap washer
1040B1614	Bolt
1202B252	Washer
4734C447	Support plate (2 x 3)
4737-417	Support plate (6 x 6)
4720C0771	Bed leg support clip M4
1203-883	Rivet
4720D402	Lashing hook
1202B026	Washer
1203-874	Rivet



### BED EXTENSION HARDWARE

4720B0831	Large plastic wheel
4731A128	Flathead rivet, wheel to extension
4720B5621	Roller assembly
4731A130	Rivet, small plastic wheel to roller support



CODE	PART NO.	DESCRIPTION
1	8470-172	Pole pin, blue
2	4734-670	Spring assembly
3	4734A670	Spring assembly
4	4730B464	Tube closure

**Note:** Inner and outer pole assemblies not sold separately.

### CANVAS SUPPORT ASSEMBLIES

4737E5431	Canvas support, <u>small bed</u> 1969 (rear)
4741B5591	Canvas support, <u>regular bed</u> 1968, 1969 (front) 1970, 1990, 1910, 1995 (rear) 1967, 1985, 1993, 1980 (front and rear)
4741C5581	Canvas support, <u>queen bed</u> 1970, 1990, 1910, 1995 (front)

**Body Panels -  
Trim Tape & Decals**

**1985  
PARTS LIST**



**BODY PANELS, TRIM TAPE, AND DECALS**

Pioneer Series	Columbia 1967	Jamestown 1968	Redwood 1969	Newport 1985	Chesapeake 1993
Front Panel	4737C8601	4737C8601	4737C8601	4737C8601	4737C8601
Latch decal	4737B363	4737B363	4737B363	4737B363	4737B363
Open decal	4730F318	4730F318	4730F318	4730F318	4730F318
Gas supply plt.	4730G213	4730G213	4730G213	4730G213	4730G213
Rear Panel	4737B8621	4737B8621	4737B8621	4737B8621	4737B8621
Trim tape*	5 ft.	5 ft.	5 ft.	5 ft.	5 ft.
Coleman logo	4741D286	4741D286	4741D286	4741D286	4741D286
Left Panel	4737C8631	4737C8631	4737C8631	4744B0041	4744B0541
Trim tape*	8 ft.	8 ft.	8 ft.	10 ft.	12 ft.
Coleman logo	4733H461	4733H461	4733H461	4733H461	4733H461
Rt. Rear Panel	4737B8611	4737B8611	4737B8611	4744A0031	4744-0531
Trim tape*	4 ft.	4 ft.	4 ft.	5 ft.	6 ft.
Coleman logo	4733H461	4733H461	4733H461	4733H461	4733H461
Name decal	4737C880	4737C878	4733H462	4744B001	4739D191
Rt. Front Panel	4737B8571	4737B8571	4737B8571	4744A0051	4744-0551
Trim tape*	2 ft.	2 ft.	2 ft.	3 ft.	4 ft.

**TOUCH-UP PAINT  
KANSAS BEIGE**

16-oz. Spray	Quart Can
8-246	4714-2641

**Note:** 435-00-003-97 Trim tape used on units built prior to 8/21/84.  
435-01-003-97 Trim tape used on units built after 8/21/84.

Refer to pages 11 through 13 for assembly details.

**BODY PANELS, TRIM TAPE, AND DECALS**

Americana Series	Royale 1970	Sun Valley 1980	Sherandoah 1990	Sequoia 1910	Williamsburg 1995
Front Panel	4733N1001	4733N1001	4733N1001	4733N1001	4733N1001
Trim tape*	8 ft.	8 ft.	8 ft.	8 ft.	8 ft.
Latch decal	4737B363	4737B363	4737B363	4737B363	4737B363
Open decal	4730F318	4730F318	4730F318	4730F318	4730F318
Gas supply plt.	4730G213	4730G213	4730G213	4730G213	4730G213
Rear Panel	4733N1011	4733N1011	4733N1011	4733N1011	4733N1011
Trim tape	6 ft.	6 ft.	6 ft.	6 ft.	6 ft.
Coleman logo	4741D286	4741D286	4741D286	4741D286	4741D286
Left Panel	4733S1081	4733S1081	4734N0241	4744B1981	4734N0241
Trim tape*	9 ft.	9 ft.	11 ft.	11 ft.	11 ft.
Coleman logo	4733H461	4733H461	4733H461	4733H461	4733H461
Rt. Rear Panel	4733G1091	4733G1091	4741C3001	4744A1991	4739D0181
Trim tape*	6 ft.	6 ft.	6 ft.	6 ft.	6 ft.
Coleman logo	4733H461	4733H461	4733H461	4733H461	4733H461
Name decal	4741C891	4733K051	4733L407	4739G022	None
Rt. Front Panel	4733F1101	4733F1101	4741C3011	4741C3011	4739F0191
Trim tape*	2 ft.	2 ft.	3 ft.	3 ft.	3 ft.
Name decal	None	None	None	None	4739F040

**TOUCH-UP PAINT  
COLONIAL WHITE**

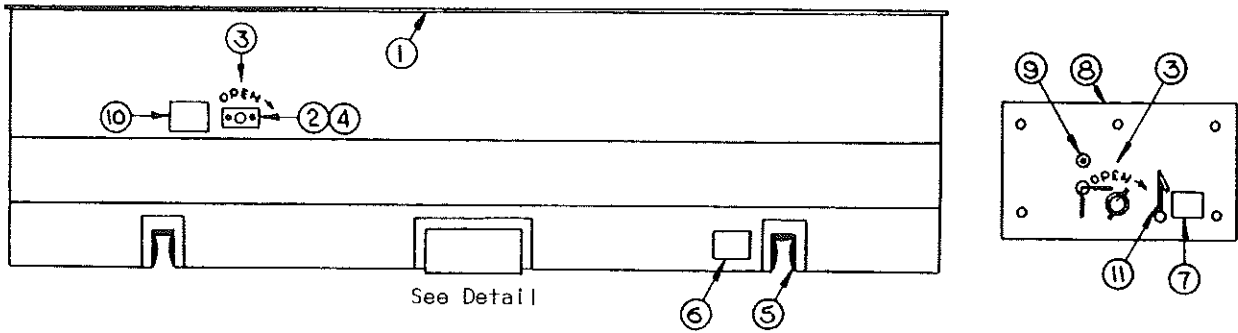
16-oz. Spray
8A244

\*Note: 435-00-005-95 trim tape.

Refer to pages 11 through 13 for assembly details.

**MITER COVERS - AMERICANA SERIES  
(Kansas Beige)**

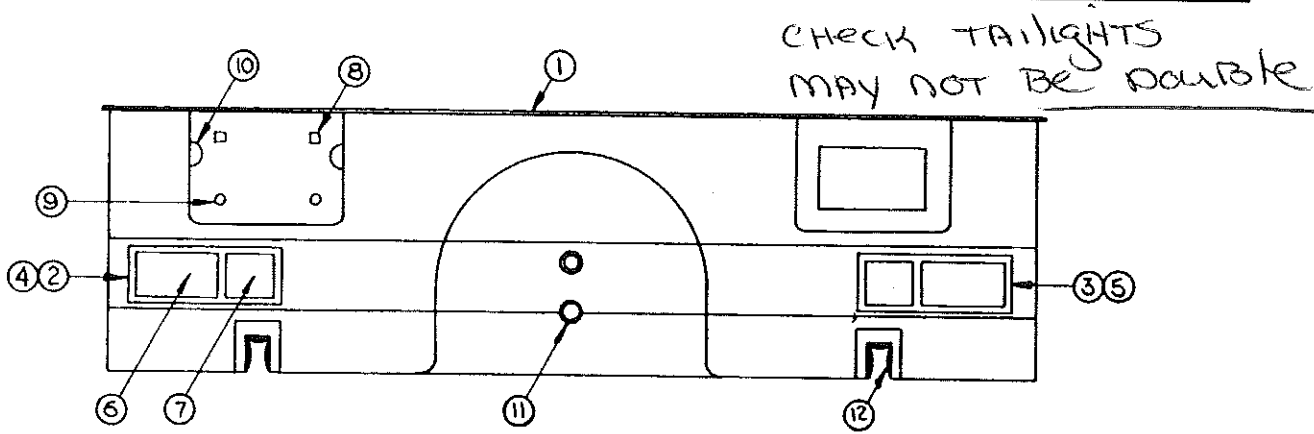
- 4737-9111 Inner miter cover, M4
- 4737A9101 Outer miter cover, M4



**FRONT PANEL ASSEMBLY COMPONENTS**

(Refer to chart for panels, trim tape, and decals.)

CODE	PART NO.	DESCRIPTION
1	4720G1808	Body rail PIONEER SERIES
	4720G180	Body rail AMERICANA SERIES
	*1203-864	Rivet, rail to panel (PIONEER)
	*1103E1008	Screw, rail to panel (AMERICANA)
	*4741B157	Clip
2	4741-403	Bushing plate PIONEER
	4741A403	Bushing plate AMERICANA
	*4741-350	Screw
3	4730F318	"Open" decal
4	4741A437	Grommet
5	4737A445	Gasket
6	4730G213	Gas supply I.D. plate
7	4739A117	Switching decal
8	4715G123	Body filler panel
	*1103E1008	Screw
	*435-00-000-16	Foam tape around perimeter
9	4724-260	Stop button
	*1103B1012	Screw
10	4737B363	Latch caution decal
11	4730A1221	Safety latch package
	*4720A344	Bolt
	*1202B040	Washer 5/8" O.D.
	*1201B603	Nut
	*1202B252	Washer 1 1/4" O.D.



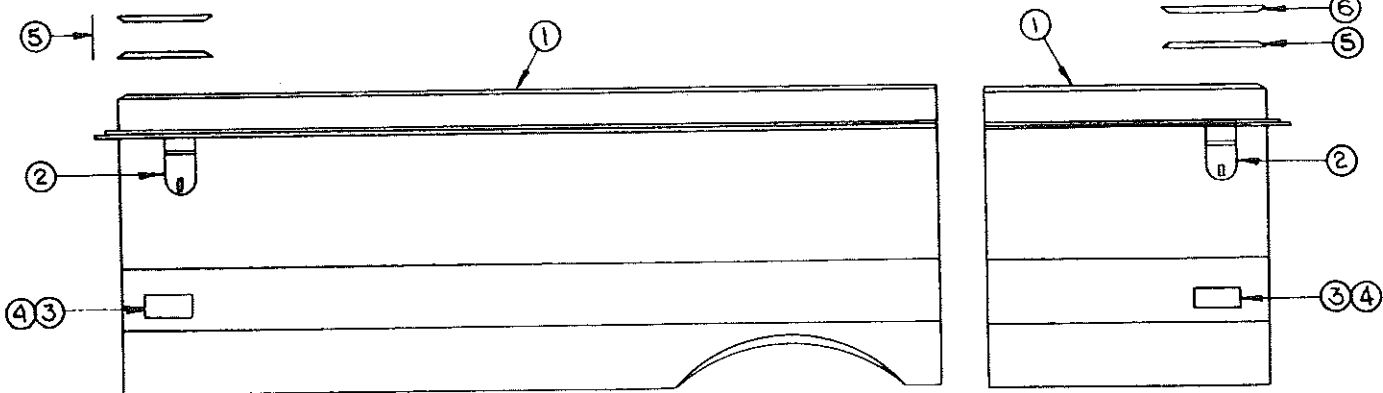
**REAR PANEL ASSEMBLY COMPONENTS**

(Refer to chart for panels, trim tape, and decals.)

CODE	PART NO.	DESCRIPTION
1	4737A881	Body rail PIONEER SERIES
	4720G179	Body rail AMERICANA SERIES
	*1203-874	Rivet, rail to panel PIONEER
	*1103E1008	Screw, rail to panel AMERICANA
	*4741B157	Clip
2	4734-3911	Taillight asy R/S PIONEER
	4714-0881	Taillight lens only
3	4734-3921	Taillight asy C/S PIONEER
	4714-0871	Taillight lens only
	*1203-865	Rivet
	*4734-389	Bushing
4	4734C3911	Taillight asy R/S AMERICANA
5	4734C3921	Taillight asy C/S AMERICANA
6	4739-4321	Taillight lens only red
7	4739-4331	Taillight lens only clear
	*1203-883	Rivet
	*1202B269	Washer
	*4739-434	Screw
8	4732-1181	Plastic grommet
	*1121C161	Screw
9	4737-072	Rubber bumper
10	4739B4311	Tag light
11	4734-364	Hole plug
12	4737A445	Gasket
13	*4734-238	Wire connector

**Panel Ass'y Details:  
RT. Front & RT. Rear**

# 1985 PARTS LIST



**RIGHT REAR PANEL ASSEMBLY COMPONENTS**

(Refer to chart for panels, trim tape, and decals.)

CODE	PART NO.	DESCRIPTION
1		<b>PIONEER SERIES</b>
	4739C2708	Body rail 1967, 1968, 1969
	4744-045	Body rail 1985
	4744-063	Body rail 1993
		<b>AMERICANA SERIES</b>
	4720K135	Body rail 1970, 1980
	4734G179	Body rail 1990, 1910, 1995
	*1203-865	Rivet, rail to panel (PIONEER)
	*4734A186	Rivet, rail to panel (AMERICANA)
	*435-00-002-07	Velcro hook 2" x 2" square adhesive-backed, sold per foot
2	4741B6041	Top latch w/o lock
	*4741-821	Screw
3	4733G1311	Socket and harness
	*4714-370	Bulb (#194)
4	4714E0851	Red lens and base
	*4741A936	Screw
	*4734-238	Connector
5	4737-073	Rail stop 6 3/16", 1967, 1968, 1969, 1985, 1970, 1980
	4730B1211	Rail stop 16 3/16", 1993, 1990, 1910, 1995
<b>Note:</b>	No rear rail stops on 1968.	

**RIGHT FRONT PANEL ASSEMBLY COMPONENTS**

(Refer to chart for panels, trim tape, and decals.)

CODE	PART NO.	DESCRIPTION
1		<b>PIONEER SERIES</b>
	4739C2698	Body rail 1967, 1968, 1969
	4744-046	Body rail 1985
	4744-065	Body rail 1993
		<b>AMERICANA SERIES</b>
	4720J133	Body rail 1970, 1980
	4739E003	Body rail 1990, 1910, 1995
	*1203-865	Rivet, rail to panel (PIONEER)
	*4734A186	Rivet, rail to panel (AMERICANA)
	*435-00-002-07	Velcro hook 2" x 2" square adhesive-backed, sold per foot
2	4715E5051	Top latch w/lock
	*4741-821	Screw
3	4733G1311	Socket and harness
	*4714-370	Bulb (#194)
4	4714E0841	Amber lens and base
	*4741A936	Screw
	*4734-238	Connector
5	4737-108	Rail stop 10 11/16", 1967, 1968, 1969
	4730B1211	Rail stop 16 3/16", 1985, 1993, 1970, 1980
	4744-262	Rail stop 32", 1990, 1910, 1995
6	4737-073	Rail stop 6 3/16", 1967, 1968, 1969, 1970
	4730B1211	Rail stop 16 3/16", 1985, 1993, 1980, 1990, 1910, 1995

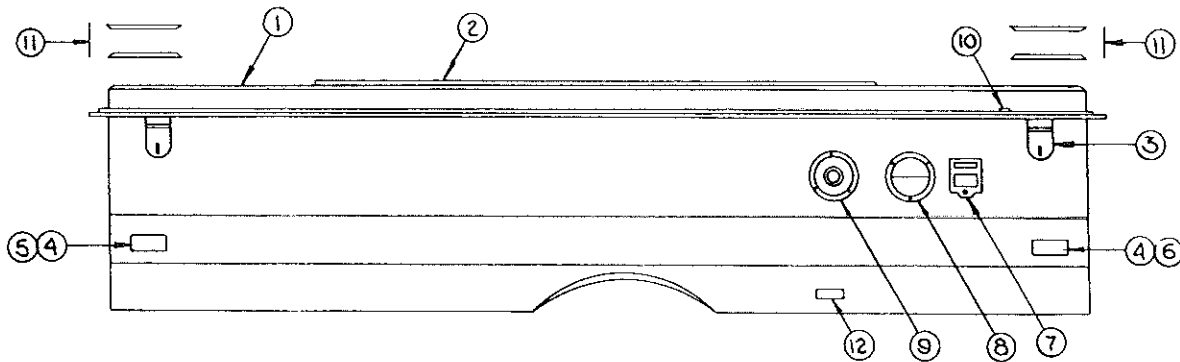
**Note:** Refer to page 16 for vent and drain system, 1995.

**HOT WATER HEATER DOOR - 1995**

4714C3391	Hot water heater door assembly 1995
4714B3391	Hot water heater door assembly 1895
4714A3391	Hot water heater door assembly 1795

**BODY CORNERS - PIONEER SERIES**

4737A8651	Left rear/right front body corner
4737A8641	Right rear/left front body corner
4741-910	Screw
406-00-000-96	Vinyl screw cover (24") sold per foot



**LEFT PANEL ASSEMBLY COMPONENTS**

(Refer to chart for panels, trim tape, and decals.)

CODE	PART NO.	DESCRIPTION
1		<b>PIONEER SERIES</b>
	4739D2688	Body rail 1967, 1968, 1969
	4744A044	Body rail 1985
	4744-064	Body rail 1993
		<b>AMERICANA SERIES</b>
	4734D177	Body rail 1970, 1980
	4734F176	Body rail 1990, 1910, 1995
	*1203-865	Rivet, rail to panel (PIONEER)
	*4734A186	Rivet, rail to panel (AMERICANA)
	*435-00-002-07	Velero hook 2" x 2" square, adhesive-backed, sold per foot
2	4737B2581	Curtain track package M2 Contains two pieces 64" long
	*4741-986	Rivet, track to rail
3	4741B6041	Top latch w/o lock
	*4741-821	Screw
4	4733G1311	Socket and harness x2
	*4714-370	Bulb (#194)
5	4714E0841	Amber lens and base
6	4714E0851	Red lens and base
	*4741A936	Screw
	*4734-238	Connector
7	4733A2331	Cable hatch
	*4741-350	Screw
	*4710C361	110 Volt decal
8	4731C1711	Recessed fill spout (not on Pioneer series)
	*4741-350	Screw
	*4735C098	Water decal
9	4732D1521	City water fill
	*4741-350	Screw
10	1204-040	Snap bushing
11	4737-073	Rail stop 6 3/16", 1967, 1968, 1969, 1985, 1970, 1980
	4730B1211	Rail stop 16 3/16", 1993, 1990, 1910, 1995
12	4744-265	Drain decal

**SEAT FRAME ASSEMBLIES**

Pioneer Series	Curbside	Roadside
1967 Columbia		4733H582
1968 Jamestown	4741C573	4733H582
1969 Redwood		4733H582
1985 Newport	4744B512	4744B512
1993 Chesapeake	4744A547(L)	4744A546(R)
<b>Americana Series</b>		
1970 Royale	4733H551	4733H582
1980 Sun Valley	4741D512	4741D511
1990 Shenandoah	4733J555	4733J556
1910 Sequoia	4744A547 (L)	4744A546(R)
1995 Williamsburg	4733H551	4733H582

**CURBSIDE SEAT CABINET TOP**

4739C215	Seat extension top 1967, 1968, 1969
4744A034	Seat extension top 1985
4739D055	Seat extension top 1990

**CURBSIDE SEAT DRAWER ASSEMBLY 1990**

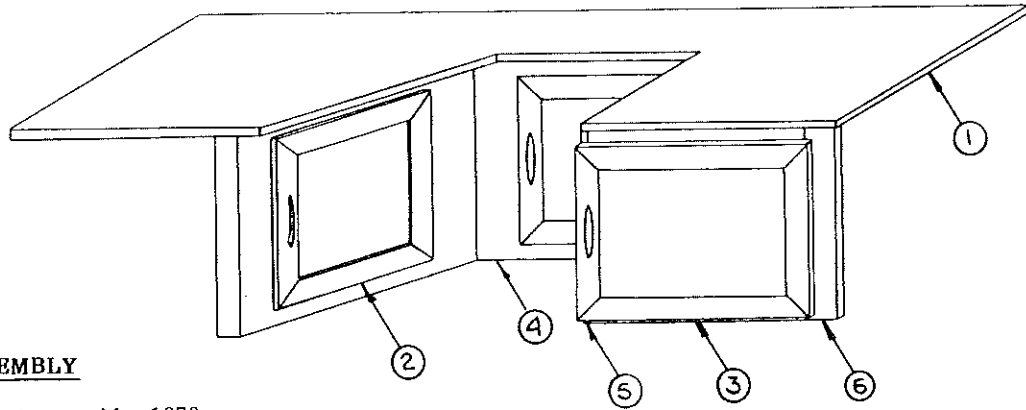
4744A526	Drawer assembly 1990
----------	----------------------

**PANELING AND TRIM**

4714B4501	Universal wall panel (48" x 18 1/8") red oak
4714A2911	Corner divider (17 5/8" lengths) M5
4714A2921	Panel divider (17 5/8" lengths) M5
4714A2931	Toe molding (60" lengths) M2

Cooler  
Cabinet Ass'ys

1985  
**PARTS LIST**

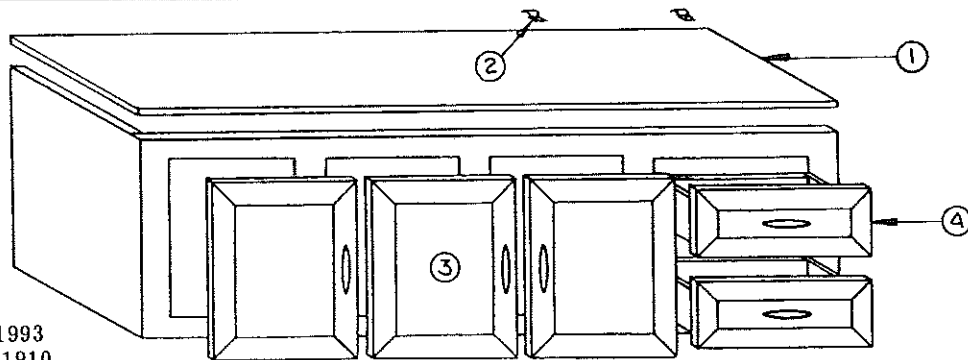


**FRONT CABINET ASSEMBLY**

4741A648 - Front cabinet assembly, 1970

CODE	PART NO.	DESCRIPTION
1	4741A969	Front cabinet top
	4733-274	Bushing
	*1103B0808	Screw, cabinet top to fronts
2	4741C5181	Door asy x2
	*1203-895	Rivet, door to cabinet

3	4741C6381	Door asy x1
	*1203-895	Rivet, door to cabinet
4	4741A968	Front cabinet front
5	4741B902	Front cabinet side
6	4741A901	Front cabinet side (small)



**HUTCH ASSEMBLIES**

4744-580 - Hutch assembly - 1993  
4744A549 - Hutch assembly - 1910

CODE	PART NO.	DESCRIPTION
1	4744A1831	Cabinet top
	*1103E1008	Screw, top to cabinet
2	4720A0721	Cooler clip (1910 only)
	*1103B0608	Screw, clip to top
3	4739C5321	Door asy x4, 1993
	4741C5181	Door asy x3, 1910
	*1203-895	Rivet, door to cabinet front
4	4744B538	Drawer asy x 2 (1910 only)
	*4739A050	Drawer pull
	*1022B0814	Screw

**Americana Series**

4744-9001 Convertible three-way

CODE	PART NO.	DESCRIPTION
1	4744-9081	Door assembly
	4744-8051	Latch cover
	1103D0606	Screw
	4744-815	Decal
2	4744-909	Right pivot
	4744-910	Left pivot
	1107B0810	Screw
3	4744-8321	Leg
	4741-821	Screw
	4744A8181	Latch
	4741-821	Screw
	4744-8331	Ice tub lid
	4744-9051	Ice tub (less faucet, grommet & nut)
	4744-9071	Faucet assembly
	1212-012	Grommet
	4744-8261	Nut
	4744-8171	Drip tray
	4744-8031	Half tray

**COOLERS**

**Pioneer Series**

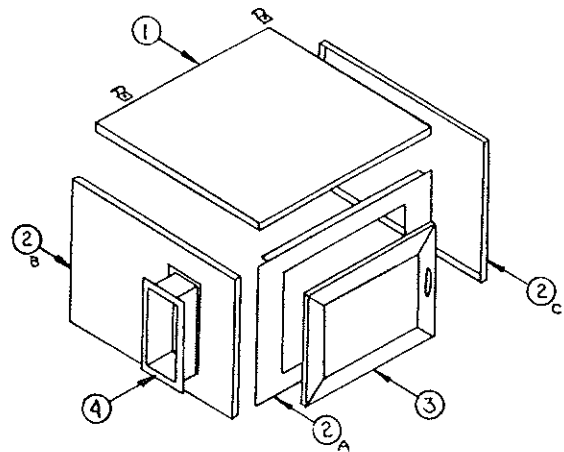
5283-706	Blue/white 1967, 1968, 1969
4739B279	Brown/white 1985, 1993



**STORAGE CABINET**

4741E523 - Storage cabinet assembly, 1980

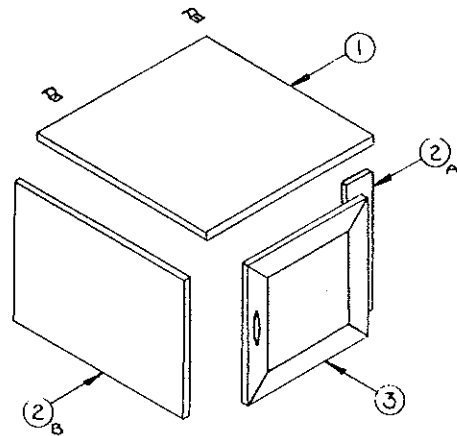
CODE	PART NO.	DESCRIPTION
1	4741B0621	Cabinet top
	*1103B0806	Screw, top to cabinet
	*4720A0721	Cooler clip
	*1103B0608	Screw, clip to top
2A	4741A063	Cabinet front
B	4741C064	Cabinet side (left)
C	4741C065	Cabinet side (right)
	*1103B0608	Screw, cabinet sides to top
3	4744-5731	Door asy
	*4739A050	Door pull
	*1022B0814	Screw
4	4737B419	Recessed fire ext. mount
	*4734-186	Rivet, mount to cabinet side
5	*4737A555	Fire extinguisher



**POTTI CABINET**

4741B6371 - Potti cabinet assembly, 1990

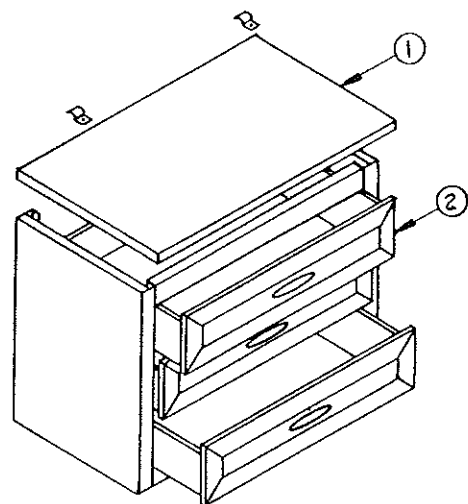
CODE	PART NO.	DESCRIPTION
1	4741B9001	Cabinet top
	*1103B0808	Screw, top to cabinet
	*4720A0721	Cooler clip
	*1103B0808	Screw, cup to top
2A	4741A901	Cabinet side, small
B	4741A902	Cabinet side
	*1103B0808	Screw, cabinet sides to top
3	4741C6381	Door assembly
	*4739A050	Door pull
	*1022B0814	Screw

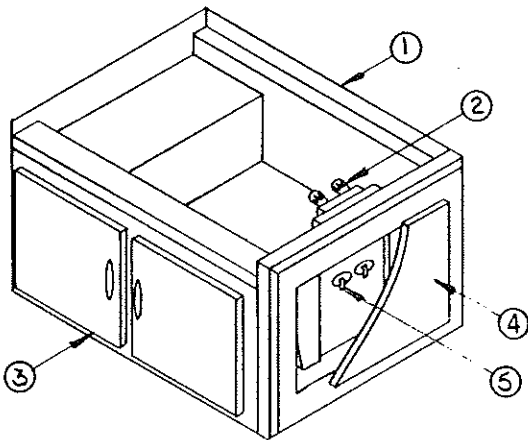


**CHEST OF DRAWERS**

4741C594 - Chest of drawers, 1995

CODE	PART NO.	DESCRIPTION
1	4741C4211	Cabinet top
	*1103E1008	Screw, top to cabinet
	*4720A0721	Cooler clip
	*1103B0608	Screw, clip to top
2	4744A536	Drawer asy, top and center
	4744A537	Drawer asy, bottom
	*4739A050	Drawer pull
	*1022B0814	Screw
3	*1203-925	Accordion rivet (plastic)
	*1202B040	Washer





**SHOWER CABINET**

4741E547 - Shower cabinet assembly, 1995

CODE	PART NO.	DESCRIPTION
1	4741-2221	Bathtub
	*4733-413	Tek screw
	*1103B1012	Screw
	*4739A290	Screw cap, white
	*4739-291	Screw cap washer
2	4741-2071	Faucet assembly
3	4737F5171	Door asy x2
	*1203-895	Rivet, door to cabinet front
4	4741F5461	Door assembly
	*4738-308	Screw
5	4741-235	Swivel street elbow

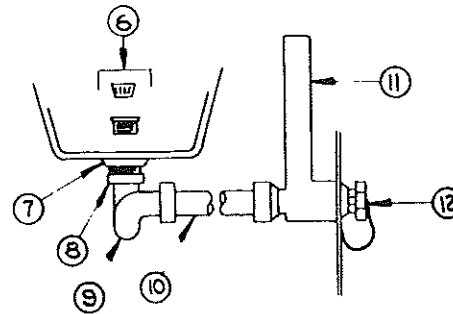
CODE	PART NO.	DESCRIPTION
6	4730D3151	Basket strainer
7	4741A933	Trap adapter
8	4737-832	Plastic nut
9	4741-932	"P" trap
10	4741-931	Sleeve
11	4741-930	Vent system
12	4714-2861	Cap and strap package
	4741-821	Screw

\*Parts not identified on diagram.

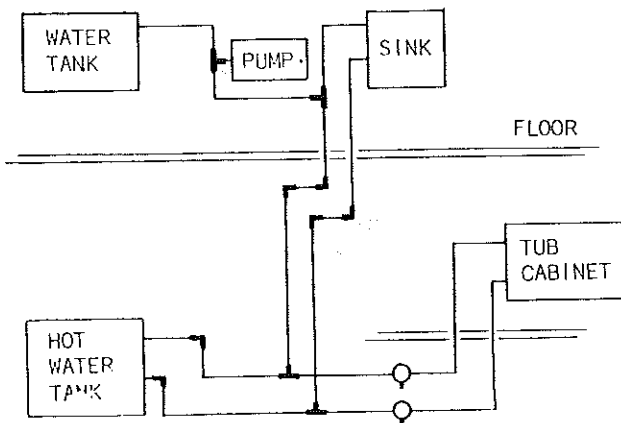
4737-913 Tub drain adapter  
Reduces 1 1/2" drain outlet to a 3/4" garden hose connection.

4741-2061 Shower head

4741A2051 Shower hose



**PLUMBING SYSTEM - 1995**

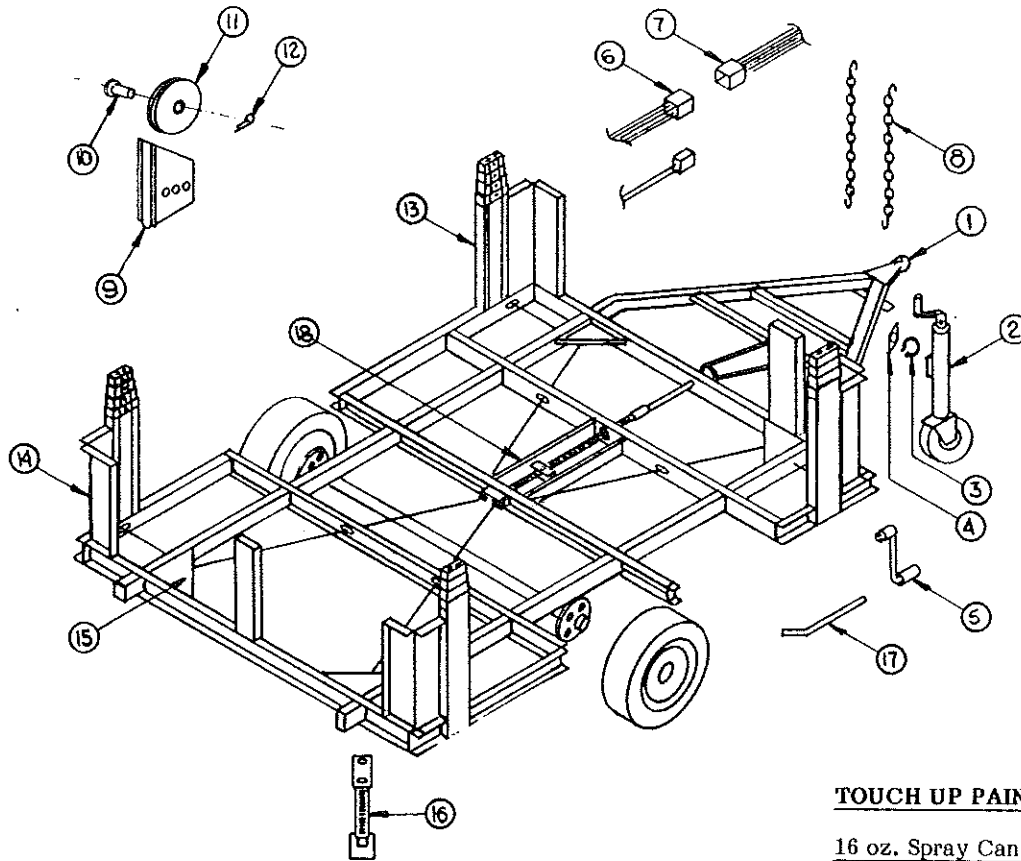


- 1218-150 Barbed tee x1 (electric pump)
- 4741-236 Drain tee x2
- 4741-237 Elbow x2 (hot water tank)
- 4741-238 Barbed tee x3
- 4741-239 Barbed elbow x2
- 4741-275 Ring clamp (crimp-type)

- 4714-038 3/8" I.D. flexible tubing (cold)
- 4714-338 3/8" I.D. flexible tubing (hot)
- 406-00-500-01 3/8" I.D. rigid tubing

Note: Tubing sold per foot.

- 1201-873 1/2" Tube clamp, rubber-coated
- 4731-305 5/8" Hose clamp



**TOUCH UP PAINT - BLACK**

16 oz. Spray Can

8-247

**MAIN FRAME ASSEMBLY**

CODE	PART NO.	DESCRIPTION
1	4730A3561	Coupler asy
	*4714-2211	Coupler repair kit (release)
	*4771-263	Hitch pin
	*4732A479	Safety pin
2	4720B6661	Tongue jack asy
	4714-281	Locking plunger kit
	4714-282	Tongue jack handle kit
3	4720A3341	Snap ring
4	4720A3331	Jack bracket
5	4720B5211	Crank handle
6	4735C6751	Wire harness
	4714-1991	Wire harness repair kit
	4735-6871	Power harness
	*4734-238	Power harness repair kit
	*4734-238	Wire connector (blue/crimp)
7	4735C6741	Pigtail
8	4720C3031	Safety chain (1 chain)
9	4732C367	Adjustable pulley bracket
10	4720C157	Short pin

11	4715A537	Pulley and bearing asy
12	1204B1081	Cotter pin M4
13	4739-6801	Lift asy LF/RR
	4733C5801	Lift asy RF/LR
Refer to page 26 for the component parts of the lift asy.		
14	4733B1541	Corner bulkhead
	*1203C875	Rivet
15	4739-246	Corner gusset
16	4720C0731	Stabilizer asy (complete)
	4714-0261	Foot and spring asy
	*4739-229	Nut (stabilizer asy to gusset)
17	4733C5951	Stabilizer handle
18	4720D2371	Guide channel
	*4731-387	Hexhead bolt
	*1201B603	Nut

Refer to page 7 for wheel assemblies and accessories.

Refer to page 7 for axle assemblies and spring details.

**STABILIZER FOOT EXTENSION**

4744-1491

**WHEEL WELL ASSEMBLY**

4741A3311

**BUMPER CAP ASSEMBLY**

4734E5941

CANVAS ASSEMBLIES

Pioneer Series	Front Canvas	Rear Canvas	Large Window	Small Window	Door Seal
1967 Columbia	4727U6821	4727U6821	4724D6801	4723C6161	4724E6831
1968 Jamestown	4727U6821	4724E5671	4724D6801	4723C6161	4724E6831
1969 Redwood	4727U6821	4724E6811	4724D6801	4723C6161	4724E6831
1985 Newport	4727U6821	4727U6821	4727U6801	4728 6871	4728E6851
1993 Chesapeake	4727U6821	4727U6821	4724C6771	4724C5681	4724D5691
<b>Americana Series</b>					
1970 Royale	4724E6741	4727U6821	4727U6801	4728E6871	4728E6851
1980 Sun Valley	4727U6821	4727U6821	4727U6801	4728E6871	4728E6851
1990 Shenandoah	4724E6741	4727U6821	4724C6771	4724C5681	4724D5691
1910 Sequoia	4724E6741	4727U6821	4724C6771	4724C5681	4724D5691
1995 Williamsburg	4724E6741	4727U6821	4724C6771	4724C5681	4724D5691

**Note:** 1225U347 - Zipper pin half                      811-42-101-14 - 42" 10/10 Army duck canvas  
 1225U346 - Zipper slider half                    811-80-014-20 - 80" Vinyl coated polyester  
 1225-419 - Zipper pull                            406-00-012-01 - 36" 12 mil. clear vinyl

665-05-00-27 - No. 5 Ziplon chain zipper, suntan (used around windows)

4714-217 - Dry clean pad                        4727-4471 - Canvas patch pkg. 12" x 14"

4714D1611 - 54" x 3 yds. screen pkg.

4714B6021 - Shock cord pkg, 14'              4714-0361 - 54" x 13 yds. screen pkg.

EVOLUTION 3 ASSEMBLIES

Pioneer Series	Front Canvas	Rear Canvas	Large Window	Small Window	Door Seal
1967 Columbia	4724B7461	4724B7461	4724A7751	4724A7741	4724A7731
1968 Jamestown	4724B7461	4724B7781	4724A7751	4724A7741	4724A7731
1969 Redwood	4724B7461	4724A7791	4724A7751	4724A7741	4724A7731
1985 Newport	4724B7461	4724B7461	4724A7701	4724A7711	4724A7721
1993 Chesapeake	4724B7461	4724B7461	4724B7491	4724B7681	4724B7481
<b>Americana Series</b>					
1970 Royale	4724B7471	4724B7461	4724A7701	4724A7711	4724A7721
1980 Sun Valley	4724B7461	4724B7461	4724A7701	4724A7711	4724A7721
1990 Shenandoah	4724B7471	4724B7461	4724B7491	4724B7681	4724B7481
1910 Sequoia	4724B7471	4724B7461	4724B7491	4724B7681	4724B7481
1995 Williamsburg	4724B7471	4724B7461	4724B7491	4724B7681	4724B7481

**Note:** 4743-158 - K-Kote seam sealer  
 665-05-000-28 - No. 5 Ziplon chain zipper, white (used around windows)  
 811-54-000-16 - 7 oz. "Evolution 3"  
 811-80-014-21 - 80" Vinyl-coated polyester

DRAPES

Pioneer Series	Drape Package	No. of Panels
1967 Columbia	4724G6331	4
1968 Jamestown		
1969 Redwood		
1985 Newport		
1993 Chesapeake	4724H6311	5
<b>Americana Series</b>		
1970 Royale	4724-7961	4
1980 Sun Valley	4724-7951	4
1990 Shenandoah	4724-7971	5
1910 Sequoia	4724-7981	5
1995 Williamsburg	4724-7991	5

Component Parts

4715-301      Pushnut  
 4725A1981    Curtain tab M100  
 4714-1031    Curtain tab M20  
 4737C223    26" drape track  
                   (brown plastic)

**Note:**  
**Pioneer Series** - Multicolored striping on a white background with tiebacks.  
**Americana Series** - Rust colored with coordinated fabric trim and tiebacks.

### CUSHION AND BACKREST ASSEMBLIES

	CUSHIONS		BACKRESTS		REFERENCE DIMENSIONS	
	Assembly	Cover	Assembly	Cover	Cushions	Backrests
<b>Pioneer Series</b>						
1967 Columbia	4714C7331	4714C7351	4714C7361	4714C7371	39 x 19 1/2 x 3	39 x 16 3/4 x 3
1968 Jamestown	4723C7001	4723D0151	4724F6171	4723F6031	39 x 19 1/2 x 3	39 x 16 3/4 x 3
1969 Redwood	4723C7001	4723D0151	4724F6171	4723F6031	39 x 19 1/2 x 3	39 x 16 3/4 x 3
1985 Newport	4744B5411	4714A9301	4744B5421	4714A9311	54 x 19 1/2 x 3	54 x 16 3/4 x 3
1993 Chesapeake	4714C7331	4714C7351	4714C7361	4714C7371	39 x 19 1/2 x 3	39 x 16 3/4 x 3
<b>Americana Series</b>						
1970 Royale	4724C7381	4723C0381	4723E6081	4723E6321	39 x 19 1/2 x 3	39 x 16 3/4 x 3
1980 Sun Valley	4733G6631	4728J6251	4733G6641	4728J6241	39 x 19 1/2 x 3	39 x 16 3/4 x 3
1990 Shenandoah	4725R5281	4725R5561	4725R5821	4725R5691	63 x 19 1/2 x 3	63 x 16 3/4 x 3
1910 Sequoia	4723D6611	4723D0161	4723D6631	4723D0181	39 x 19 1/2 x 3	39 x 16 3/4 x 3
1995 Williamsburg	4724F6411	4723F6021	4724F6421	4723F6061	39 x 19 1/2 x 3	39 x 16 3/4 x 3
Tub cushion	4724H5441	4724H2351			31 x 23 x 3	

### EXPANDA-BED CUSHION ASSEMBLIES

	Cushion	Cover	Patch	REFERENCE DIMENSIONS
<b>Curbside and Roadside</b>				
1967 Columbia	4714D7321	4714D7341	4714D7311	36 1/2 x 23 x 3
1970 Royale	4714E7321	4714E7341	4714E7311	36 1/2 x 23 x 3

\* 4733-451 Cushion locking strike

### MATTRESS ASSEMBLIES

	FRONT		REAR		REFERENCE DIMENSIONS	
	Assembly	Cover	Assembly	Cover	Front	Rear
<b>Pioneer Series</b>						
1967 Columbia	4714C7481	4714C7491	4714C7381	4714C7391	71 x 51 x 3	71 x 28 x 3
1968 Jamestown	4714B7481	4714B7491	None	None	71 x 51 x 3	--
1969 Redwood	4714B7481	4714B7491	4714A6691	4714A6681	71 x 51 x 3	71 x 28 x 3
1985 Newport	4714B7481	4714B7491	4714B7481	4714B7491	71 x 51 x 3	71 x 51 x 3
1993 Chesapeake	4714C7481	4714C7491	4714C7481	4714C7491	71 x 51 x 3	71 x 51 x 3
<b>Americana Series</b>						
1970 Royale	4723F6661	4723E0191	4723F6681	4723E0211	71 x 74 x 4	71 x 28 x 3
1980 Sun Valley	4725M5391	4725M5381	4725M5391	4725M5381	71 x 51 x 4	71 x 51 x 4
1990 Shenandoah	4723A7071	4724F2571	4725M5391	4725M5381	71 x 74 x 4	71 x 51 x 4
1910 Sequoia	4724E5491	4724E5471	4723E5961	4723E6311	71 x 74 x 4	71 x 51 x 4
1995 Williamsburg	4724F6121	4723F5011	4725L6201	4725L6191	71 x 74 x 4	71 x 51 x 4

### CURTAIN PACKAGES AND COMPONENTS

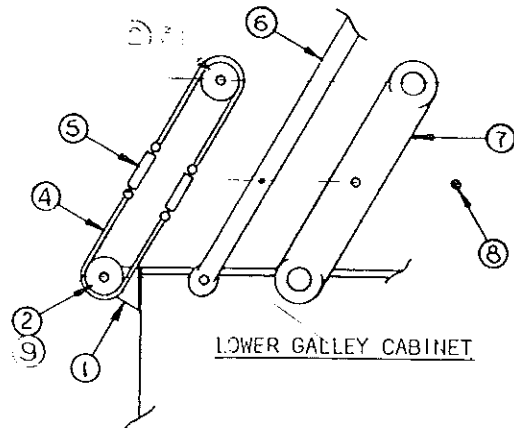
✓ 4725E6351	Privacy curtain, multicolored stripe on white background
	4714-1031 Curtain tab M20
	4725A1981 Curtain tab M100
4725E6361	Dressing room curtain, multicolored strip on white background
	1103B0808 Screw
	1226-122 Spur grommet
	4739-067 I-beam stop
	4739-119 Carrier and hook
	4739-120 Mounting bracket
	4739-1211 I-beam curtain track
4723C6781	Bathroom curtain
4724-7111	Shower curtain
	4739-067 I-beam stop
	4739-119 Carrier and hook
4741-9401	Shade
	4734-2031 "S" hook
	4734-204 Eye hook

### DRAPE TIEBACK PACKAGES (M1)

4714A2941	All Pioneer series
4714-3931	1970 Royale
4714-3941	1980 Sun Valley
4714-3951	1990 Shenandoah
4714-3961	1910 Sequoia
4714-3971	1995 Williamsburg
4714-2941	Rope tieback (M5)

UPPER GALLEY LIFT BAR ASSEMBLY - AMERICANA SERIES

CODE	PART NO.	DESCRIPTION
1	4744A533	Galley bracket (left)
	4744A532	Galley bracket (right)
2	4737-923	Sprocket x4
3	4744-090	Bushing
	4744-254	Nut (upper sprocket)
4	4744-0681	Chain
	4730A3811	Connecting link
5	4744A069	Turnbuckle
6	4744-087	Lift bar 1910
	4744-088	Lift bar 1980, 1990, 1995
	4744-278	Lift bar 1970
7	4744-081	Chain cover (left)
	4744-147	Chain cover (right)
8	4741A936	Screw
9	1201B603	Nut (lower sprocket)



CONVERTER CABINET ASSEMBLIES

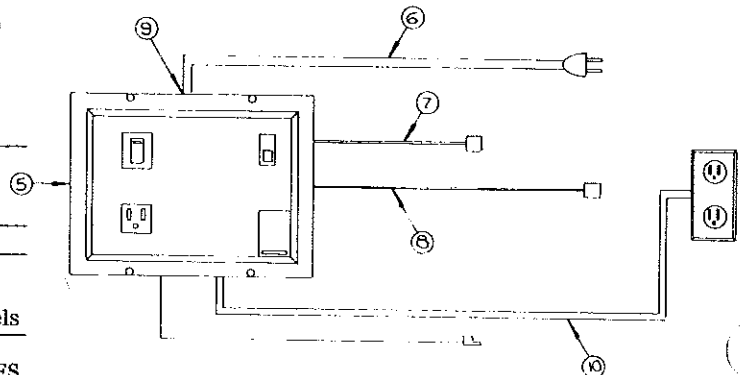
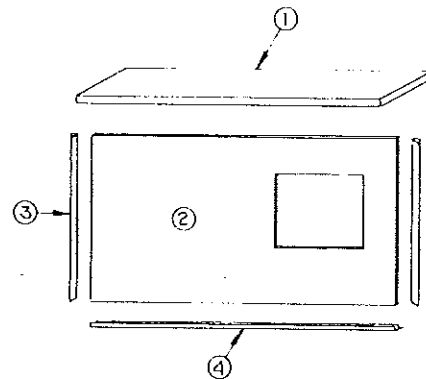
Pioneer Series

- 4744-576 Converter cabinet 1967, 1968, 1969
- 4744-577 Converter cabinet 1985
- 4744-578 Converter cabinet 1993

Americana Series

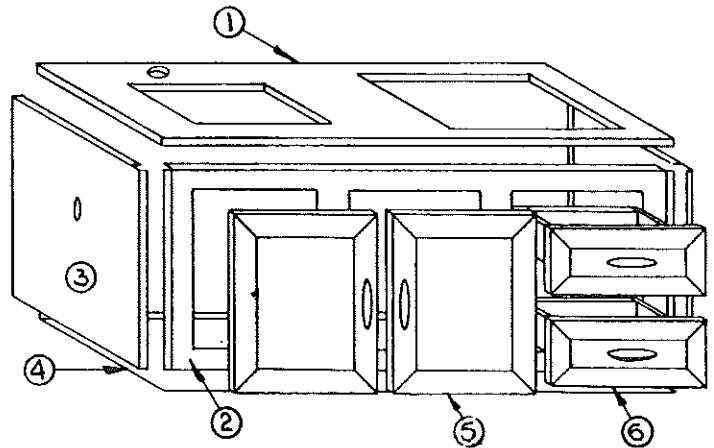
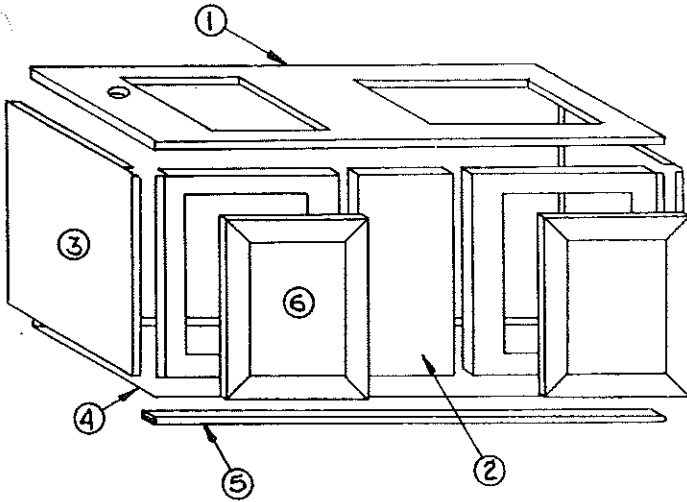
- 4744A513 Converter cabinet 1970, 1980, 1990
- 4744A565 Converter cabinet 1910
- 4741E539 Converter cabinet 1995

CODE	PART NO.	DESCRIPTION
1	4744A023	Converter cabinet top
	*1103B0806	Screw, top to panel angle
2	4744A0208	Front panel, PIONEER SERIES
	4744A020	Front panel, AMERICANA SERIES
	*4744-024	Panel angle
	*1103B0806	Screw, angle to front panel
3	4741A897	Corner divider
4	4741A896	Toe molding
5	4744-3001	Converter 1967, 1968, 1969
		3 Amp B&W
	4744-3011	Converter 1985
		6 Amp B&W
	4741-5241	Converter 1970, 1980, 1990, 1910
		6 Amp Progressive Dynamics
	4741A5551	Converter 1995
		15 Amp Progressive Dynamics
	*4739-460	Screw, converter to front panel
6	4733-1651	Power cord 25 ft.
	*1201-873	Clamp
	*4739-460	Screw
7	4735B6901	Heater harness
8	4744-564	Extension harness 1995, 1910
		(Power to top lights)
	4735B6731	Extension harness, all other models
9	1216-451	Strain relief, PIONEER SERIES
	4734-365	Strain relief, AMERICANA SERIES
10		"Romex" wire 14 AWG.
		(Purchase locally)



4710B3551 - 115 VAC, 15 A. Receptacle box





### UPPER GALLEY ASSEMBLIES - PIONEER SERIES

4739B658 - Upper galley assembly 1967, 1968, 1969  
4744A544 - Upper galley assembly 1985  
4744A548 - Upper galley assembly 1993

CODE	PART NO.	DESCRIPTION
1	4737E1131	Upper galley top 1967, 1968, 1969
	4744A0401	Upper galley top 1985
	4744A0941	Upper galley top 1993
	*1103E1008	Screw, top to cabinet
2	4741B056	Cabinet front, left and right (all)
	4744A043	Cabinet spacer, 1985
	4744A097	Cabinet spacer, 1993
	*1203-864	Rivet
3	4741A0511	Cabinet side, left and right (all)
4	4737D254	Upper galley bottom 1967, 1968, 1969
	4744-042	Upper galley bottom 1985
	4744-095	Upper galley bottom 1993
	*1203-864	Rivet
5	*406-00-001-53	Edge molding (sold per foot)
	4737A106	Galley hinge 1967, 1968, 1969
	4744-041	Galley hinge 1985
	4744-096	Galley hinge 1993
6	*1203-864	Rivet
	4737F5171	Door asy (all)
7	*1203-895	Rivet, door to cabinet
	4734B0841	Towel rack, 22 1/4" (all)
	4734B0991	Towel rack, 14 1/2" (1993)
	*1016B1018	Bolt
	*1201B695	Nut

### UPPER GALLEY ASSEMBLIES - AMERICANA SERIES

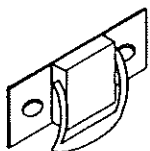
4744-571 - Upper galley assembly 1970  
4744A535 - Upper galley assembly 1980, 1990  
4744A525 - Upper galley assembly 1910  
4741D544 - Upper galley assembly 1995

CODE	PART NO.	DESCRIPTION
1	4744-2771	Upper galley top 1970
	4744A1111	Upper galley top 1980, 1990
	4744A1941	Upper galley top 1910
	4741D1591	Upper galley top 1995
	*1103E1008	Screw, top to cabinet
2	4744-276	Cabinet front, left 1970
	4744A071	Cabinet front, left 1980, 1990, 1995
	4744A189	Cabinet front, left 1910
3	4744A070	Cabinet side, left and right (all)
4	4744-275	Upper galley bottom 1970
	4744-072	Upper galley bottom 1980, 1990, 1995
	4744-196	Upper galley bottom 1910
	*1203-864	Rivet
5	*406-00-001-53	Edge molding (sold per foot)
	4744-572	Door assembly (all)
	*1203-895	Rivet, door to cabinet
6	4744-574	Drawer assembly (all)
7	*4744-509	Upper galley angle assembly to attach galley to lift bar
8	*1203-925	Accordian rivet (drawer slide)
	*4739-419	Vinyl cap (screw protector)

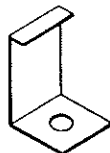
Refer to page 22 for sink and drain system components.

Refer to page 22 for cooktop, stove box, and cover components.

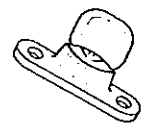
Refer to page 8 for cabinet door assembly components.



**STOVE COVER LATCH**  
4733-401 Latch  
1203-867 Rivet



**STOVE COVER STRIKE**  
4733-402 Strike



**STOVE FIN STUD**  
1226D153 Stud  
1203-867 Rivet

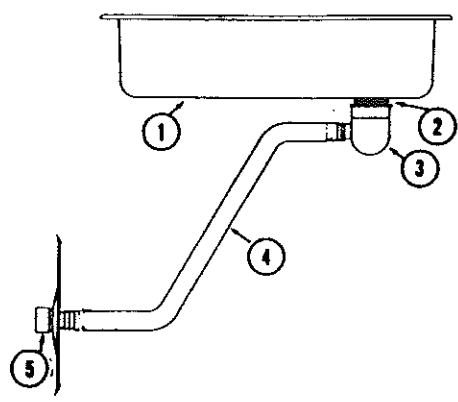
# 1985 PARTS LIST



## Stove Details

### SINK AND DRAIN SYSTEM

CODE	PART NO.	DESCRIPTION
1	4710D0301	Sink, all models
	*4730D3151	Basket and strainer
2	4734-329	Foam gasket
3	4734A0671	Drain trap
	*4739-108	Hose clamp
4	4714-277	Drain hose, standard 3/4" garden hose (sold per foot) (May be purchased locally)
5	4734A0681	Drain spout
	*4744-267	Hose clamp
	*4714-0021	Cap and strap



### SINK COVER

4734B5581 - Standard on AMERICANA SERIES

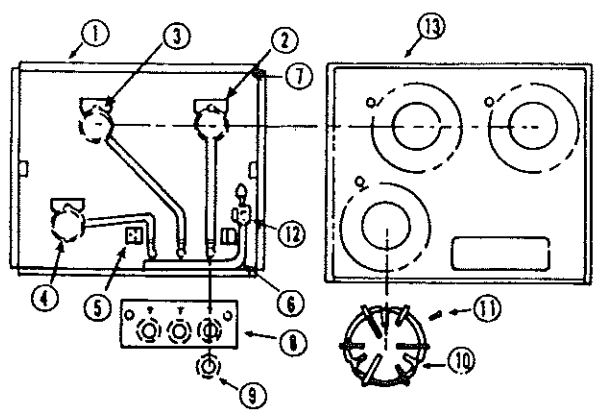
### COOK TOP, STOVE BOX AND COVER

#### Pioneer Series

CODE	PART NO.	DESCRIPTION
1	4744-2381	Cook top, all except 1993
	4744-2401	Cook top, 1993
2	4739B2871	Stove box, all except 1993
	4739C2931	Stove box, 1993
3	4741-6261	Stove cover, all except 1993
	4741A6031	Stove cover, 1993

#### Americana Series

CODE	PART NO.	DESCRIPTION
1	4744-2401	Cook top
2	4739C2931	Stove box
3	4741A6031	Stove cover



### STOVE COMPONENTS

CODE	PART NO.	DESCRIPTION
1	See cooktop, stove box and cover (Code 2)	
2	2202-819	Right burner, 2-burner stove
	2203-855	Right burner, 3-burner stove
3	2202-850	Left burner, 2-burner stove
	2203-887	Left burner, 3-burner stove
4	2203-850	Front burner, 3-burner stove only
5	2202A3361	Burner valve, 2- & 3-burner stove
6	2202K5271	Manifold pipe, 2-burner stove
	2203K5271	Manifold pipe, 3-burner stove
7	2208K357	Inlet bushing, 2- and 3-burner stove
8	2202L5291	Throw-in bag, 2-burner stove
	2203M5921	Throw-in bag, 2-burner stove
9	2205A3371	Knob, 2- and 3-burner stove
10	2202A3391	Grate
11	2208-3441	Grate clip package
12	821-121	3/8" flare nut
13	See cooktop, stove box and cover (Code 1)	

**Note:** All cooktops and stove covers are "champagne" porcelain.

Two-burner stoves in PIONEER SERIES except 1993 (three-burner).

Three burner stoves in AMERICANA SERIES.

\* 4744A264 Warning label

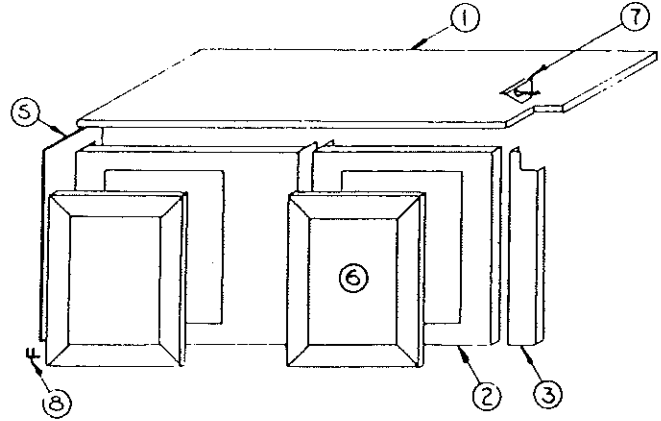
### LOWER GALLEY FILLER ASSEMBLY

4744B5561	Lower galley filler assembly (complete)
4744-221	Knob
1017B1008	Screw
435-00-375-07	3/8" adhesive-backed velcro hook
435-00-375-19	3/8" adhesive-backed velcro loop (sold per foot)

**LOWER GALLEY ASSEMBLY (RIGHT) - AMERICANA SERIES**

4744-570 - Lower galley assembly right 1970  
4744B540 - Lower galley assembly right 1980  
4744B527 - Lower galley assembly right 1990  
4744B545 - Lower galley assembly right 1910  
4744B528 - Lower galley assembly right 1995

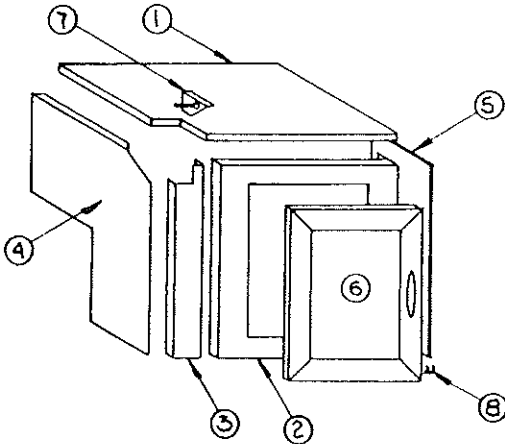
CODE	PART NO.	DESCRIPTION
1	4744B1921	Cabinet top 1970, 1910
	4744C0521	Cabinet top 1980
	4744B1451	Cabinet top 1990, 1995
	*1103B0806	Screw, top to cabinet
2	4741C036	Cabinet front (left) all
	4744A091	Cabinet front (right) 1980, 1990, 1995
	*4733-060	Rivet
3	4744A113	Cabinet spacer right (all)
4	4741C184	Cabinet side right 1995 only
5	4744A059	Cabinet divider
	*4734-186	Rivet
	*1202B026	Washer
6	4744-5731	Door assembly (all)
	*1203-895	Rivet, door to cabinet
7	4744B532	Galley bracket right (all)
	*4744A085	Bracket filler
	*1203-895	Rivet
8	4744-127	Floor trim
9	*4741B041	Cabinet support 1980
	*4744-297	Cabinet top splice brace 1980 (across cutout on cabinet top)
	*1203-886	Rivet, supports to cabinet top



**LOWER GALLEY ASSEMBLY (LEFT) - AMERICANA SERIES**

4744A534 - Lower galley assembly left 1970, 1990  
4744A539 - Lower galley assembly left 1980  
4744A543 - Lower galley assembly left 1910  
4744A560 - Lower galley assembly left 1995

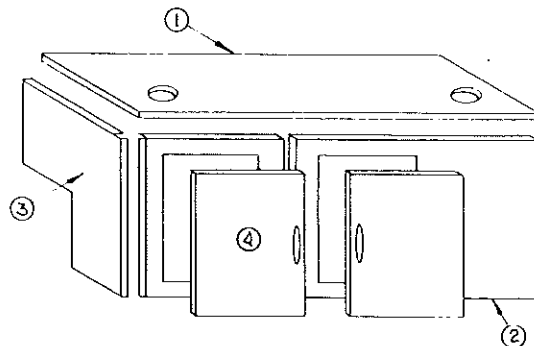
CODE	PART NO.	DESCRIPTION
1	4744A146	Cabinet top 1970, 1990, 1995
	4744A051	Cabinet top 1980
	4744A191	Cabinet top 1910
	*1103B0806	Screw, top to cabinet
2	4744A091	Cabinet front (all except 1910)
	4744A182	Cabinet front, 1910
	*4733-060	Rivet
3	4744A112	Cabinet spacer left (all)
4	4744A092	Cabinet side left 1970, 1980, 1990
	4744A242	Cabinet side left 1995
	*4734-435	Bushing
5	4744A059	Cabinet divider
	*4734-186	Rivet
	*1202B026	Washer
6	4744-5731	Door assembly (all)
	*1203-895	Rivet, door to cabinet
7	4744B533	Galley bracket left (all)
	*4744A085	Bracket filler
	*1203-895	Rivet
8	4744-127	Floor trim
9	*4741B041	Cabinet support 1980 (across cutout on cabinet top)
	*1203-886	Rivet, support to cabinet top



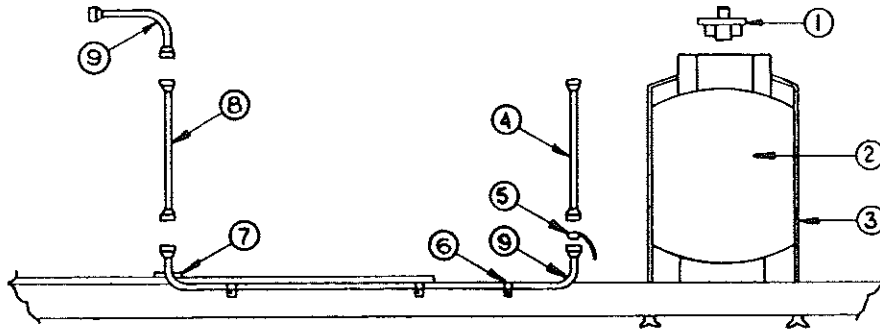
CODE	PART NO.	DESCRIPTION
1	4739D1951	Lower galley top 1967, 1968, 1969
	4744A0191	Lower galley top 1985
	4739D0121	Lower galley top 1993
	*1103B0806	Screw, top to cabinet
2	4741A957	Cabinet front left (all except 1993)
	4744-279	Cabinet front right (all except 1993)
	4744-305	Cabinet front left and right (1993)
	4744A018	Cabinet spacer 1985
	4739D011	Cabinet front center 1993
	*4733-060	Rivet
3	4741B038	Cabinet side left (all except 1993)
	*4734-435	Bushing
4	4739C5321	Door assembly (all)
	*1203-895	Rivet, door to cabinet

**LOWER GALLEY ASSEMBLIES - PIONEER SERIES**

4741B608 - Lower galley assembly 1967, 1968, 1969  
4744A508 - Lower galley assembly 1985  
4739D526 - Lower galley assembly 1993



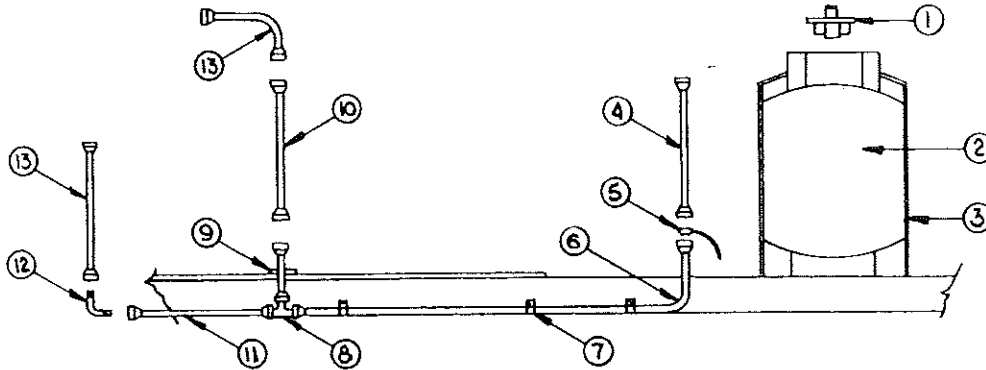
Refer to page 8 for cabinet door assembly components.



**GAS SYSTEMS - ALL EXCEPT 1910 AND 1995**

CODE	PART NO.	DESCRIPTION
1	4739A1291	Regulator
	*4734B3781	Regulator cover
2	4720H592	Gas bottle
3	4733F6281	Gas bottle mounting pkg.
4	4733A3991	Flexible gas hose
5	4733A388	Plastic cap w/chain

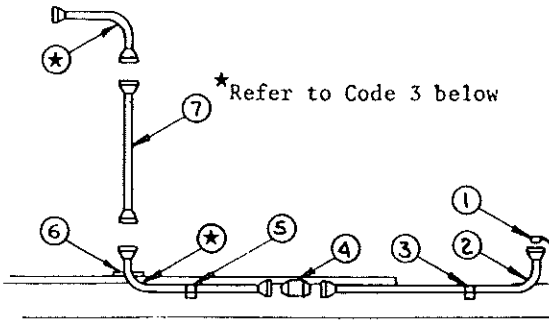
6	1201-870	3/8" Tube clamp, rubber-coated
	4739-425	3/8" Tube clamp, uncoated
	*4737-255	Tek screw
7	4733A412	Bushing
8	4730A3431	Flexible gas hose 1/4"-32" long
9	4714-0711	3/8" O.D. copper gas line, 100" length (includes 1 bushing and 2 flared plugs)



**GAS SYSTEM - 1995**

CODE	PART NO.	DESCRIPTION
1	4739A1291	Regulator
	*4734B3781	Regulator cover
2	4720H592	Gas bottle
3	4733F6281	Gas bottle mounting pkg.
4	4737-8871	Flexible gas hose 3/8"-32" long
5	4737-838	Plastic cap w/chain
6	4734B555	1/2" O.D. copper gas line, 75" length (includes flare nuts)
	*1215-243	Flare nut for 1/2" line
7	1201-873	1/2" Tube clamp, rubber-coated
	*4733-411	Tek screw

8	1215-178	Tee
9	4733A412	Bushing
10	4730A3431	Flexible gas hose 1/4"-32" long
11	4739-425	3/8" Tube clamp, uncoated
	*4733-411	Tek screw
12	4733A412	Bushing
13	4714-0711	3/8" O.D. copper gas line, 100" length (includes 1 bushing and 2 flared plugs)

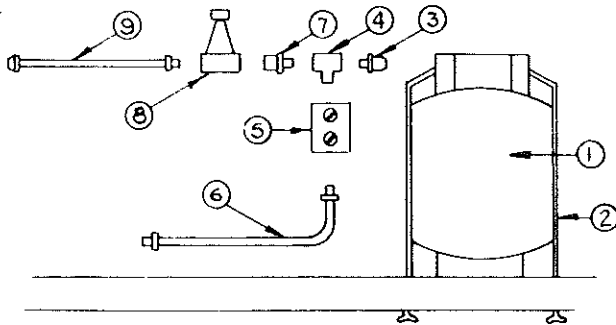
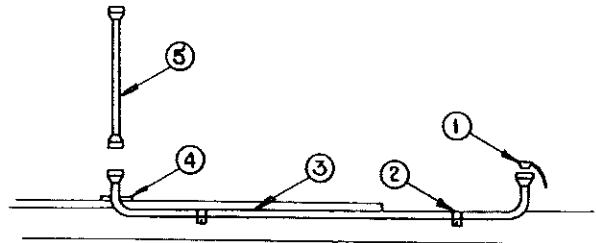


**GAS SYSTEM - 1910  
(Inside Stove)**

CODE	PART NO.	DESCRIPTION
1	4737-838	Plastic cap w/chain
2	4734A555	1/2" O.D. copper gas line, 24 1/2" length (includes flare nuts)
	*1215-243	Flare nut for 1/2" line
3	1201-873	1/2" Tube clamp, rubber-coated
	*4737-255	Tek screw
4	4744-251	Reducer union
5	1201-870	3/8" Tube clamp, rubber-coated
	4739-425	3/8" Tube clamp, uncoated
	*4733-411	Tek screw
6	4733A412	Bushing
7	4730A3431	Flexible gas hose 1/4"-32" long

**GAS SYSTEM - 1910  
(Outside Stove)**

CODE	PART NO.	DESCRIPTION
1	4733A388	Plastic cap w/chain
2	1201-870	3/8" Tube clamp, rubber-coated
	*4733-411	Tek screw
3	4714-0711	3/8" O.D. copper gas line, 100" length (includes 1 bushing and 2 flared plugs)
4	4733A412	Bushing
5	4744-1151	Flexible gas hose 1/4"-24" long

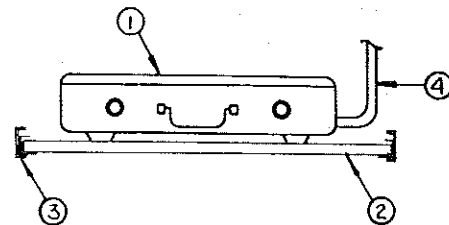


**HOSE AND REGULATOR ASSEMBLY - 1910**

CODE	PART NO.	DESCRIPTION
1	4720H592	Gas bottle
2	4733F6281	Gas bottle mounting pkg.
3	4737-930	POL adapter
4	4739-699	Street tee
5	4738A486	Regulator
	*4734B3781	Regulator cover
6	4737-8871	Flexible gas hose 3/8"-32" long
7	4739-697	Cylinder adapter
8	5445A5561	Regulator (replacement w/15" gas line) original supplied with outside stove
9	4744-1141	Flexible gas hose 1/4"-32" long

**OUTSIDE STOVE SHELF ASSEMBLY - 1910**

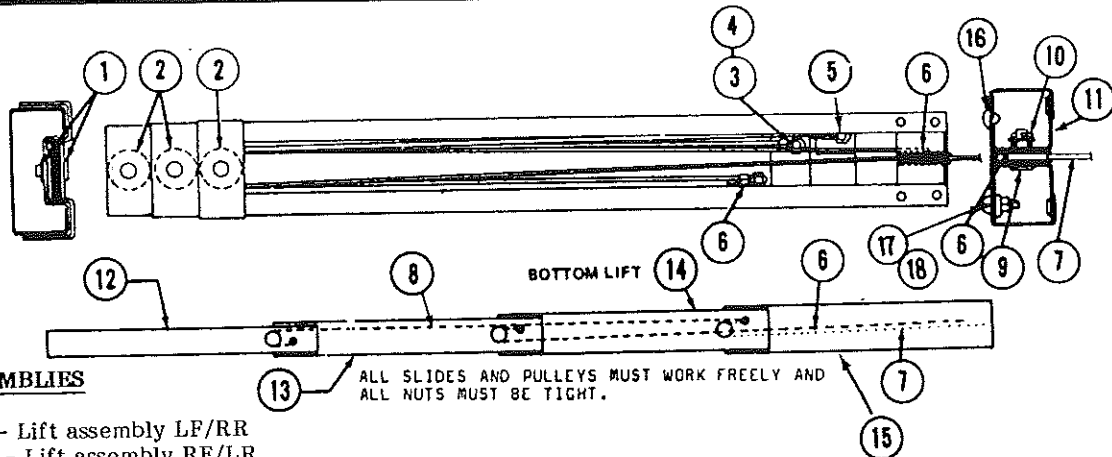
CODE	PART NO.	DESCRIPTION
1	5410A700	Propane stove asy
	*1017B1016	Screw
	*1202B026	Washer
2	4744C214	Stove shelf
	*1032B1014	Screw
	*1201E639	Nut
	*4739-291	Washer (plastic)
	*4739A290	Cap
3	4744-3141	Shelf slide asys (set)
		1 left and 1 right
	*4744-317	Slide angle - right
	*4744-318	Slide angle - left
	*1203-897	Rivet
	*4744-316	Slide stop
	*1103B0808	Screw
4	4744-1151	Flexible gas hose 1/4"-24" long
	*1201-870	Clamp
	*1103B0808	Screw



**HATCH DOOR ASSEMBLY - 1910  
(Outside Stove)**

4744A2131	Hatch door asy, complete <u>except</u> for lock mechanism
4744-2571	Lock
*4742-126	Hinge
*1203-855	Rivet

**Note:** 5445A5561, 15" hose (replacement) original supplied with outside stove. Replacement part will come with stove regulator.



**LIFT ASSEMBLIES**

4739-6801 - Lift assembly LF/RR  
4733C5801 - Lift assembly RF/LR

CODE	PART NO.	DESCRIPTION
1	4730F2491	Pin & ring M3 (contains 4730F249 pin and 4730B098 retaining ring)
	*4730B0981	Retaining ring only M12
	*4730F249	Pin Only
2	4715A537	Steel pulley asy 5/16"
<b>Note:</b> Use 4715-537 on 300 & 400 series trailers.		
3	4741-921	Lock nut x2
4	1202B263	Spacer x2
5	4737-817	Bolt 1/4" - 20 x 1"
	4741-921	Flange nut 1/4" - 20
6	4731-5691	Cable asy 51"
7	4733B5901	Cable asy long 144"
8	4731-5691	Cable asy 51"
9	4720C157	Lift pin
10	1204B108	Cotter pin

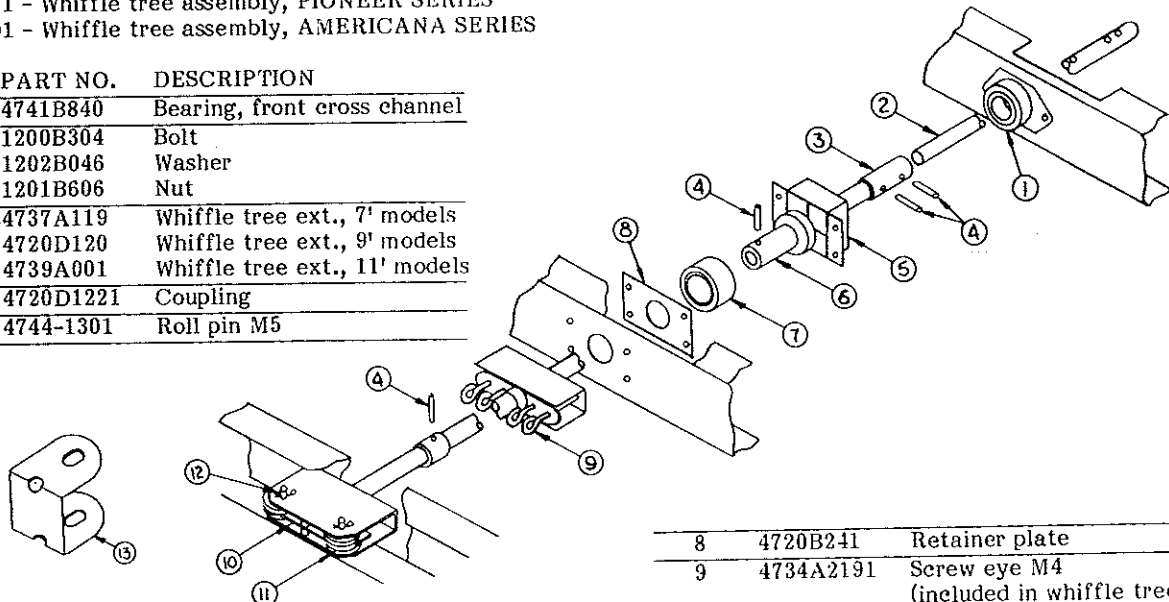
CODE	PART NO.	DESCRIPTION
11	4731B580	Pulley bracket asy
12	4739-6741	TOP LIFT ASY (4739-6801, LF/RR)
	4720C5181	(4733C5801, RF/LR)
13	4739-6731	CENTER LIFT ASY (4739-6801, LF/RR)
	4720C5171	(4733C5801, RF/LR)
14	4739-6751	BOTTOM LIFT ASY (4739-6801, LF/RR)
	4720D5161	(4733C5801, RF/LR)
15	4720F5151	Stationary lift asy
16	1203C872	Pop rivet x3
17	1006B1610	Machine screw 1/4" - 20
18	4741-921	1/4 - 20 Flange nut

**Note:** All cable assemblies come with cable clips.

**WHIFFLE TREE AND RELATED PARTS**

4737B5661 - Whiffle tree assembly, PIONEER SERIES  
4720E5201 - Whiffle tree assembly, AMERICANA SERIES

CODE	PART NO.	DESCRIPTION
1	4741B840	Bearing, front cross channel
	1200B304	Bolt
	1202B046	Washer
	1201B606	Nut
2	4737A119	Whiffle tree ext., 7' models
	4720D120	Whiffle tree ext., 9' models
	4739A001	Whiffle tree ext., 11' models
3	4720D1221	Coupling
4	4744-1301	Roll pin M5



5	4720B240	Retainer
	4731-387	Bolt
	1201B603	Nut
6	4720B238	Thrust nut
7	4720A2421	Thrust bearing

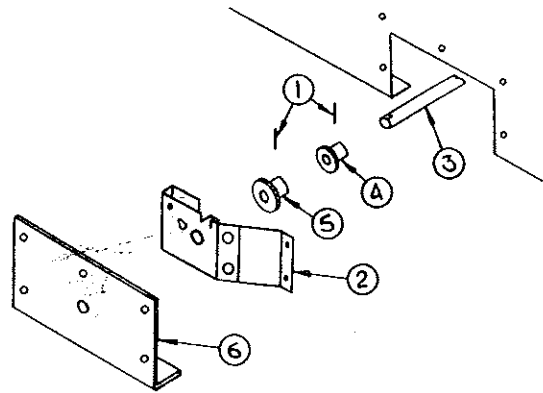
8	4720B241	Retainer plate
9	4734A2191	Screw eye M4 (included in whiffle tree asy)
10	4715C566	Puller spacer
11	4715A537	Pulley and bearing
	4720G156	Long pin
	1204B123	Cotter pin
13	4744A174	Cable retainer



**RATCHET ASSEMBLY (Americana Series)**

CODE	PART NO.	DESCRIPTION
1	4744-1301	Roll pin M5
2	4714B5881	Ratchet package Consists of:
	4737B675	Ratchet bracket
	4741-838	Leg brace
	4731-387	Hexhead cap screw (Leg brace
	1201B603	Nut to ratchet bracket)
	4737-468	Bronze bearing
	4737-4671	Butterfly switch
	4737-469	Cap for butterfly switch
	4733-411	Tek screw, bracket asy to frame
3	4737A119	Whiffle tree ext., 7' models
	4720D120	Whiffle tree ext., 9' models
	4739A001	Whiffle tree ext., 11' models
4	4730B384	Sprocket (12 tooth)
5	4737-450	Ratchet gear
6	4715G123	Filler plate

Note: Refer to page 11 for hardware details.



**CRANK AND SPROCKET ASSEMBLIES**

**Pioneer Series**

4720G5808 Crank and sprocket assembly

**Americana Series**

4720G580 Crank and sprocket assembly

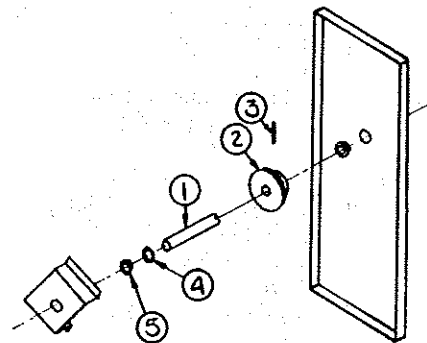
CODE	PART NO.	DESCRIPTION
1	4730C340	Sprocket shaft
2	4730B384	Sprocket (12 tooth) Pioneer
	4730B385	Sprocket (24 tooth) Americana
3	4720B1481	Roll pin M5
4	4730B382	Bronze bearing
5	1202-282	Washer
6	4739B263	Chain, Pioneer series
	4730E3691	Chain, Americana
	4730A3811	Connecting link
	4714-0351	Offset connecting link

**Mounting Hardware:**

- 4731-387 Hexhead bolt
- 1201B603 Hex nut
- 1202B043 Washer

**SAFETY LATCH - Pioneer Series**

CODE	PART NO.	DESCRIPTION
1	4730A1221	Safety latch
2	4720A344	
3	1202B252	Washer
4	1201B603	Nut



Screen Door Ass'y  
Table Ass'y

# 1985 PARTS LIST



SCREEN DOOR AND JAMB ASSEMBLIES

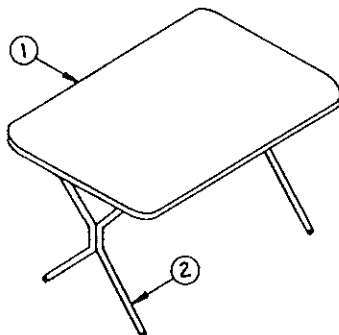
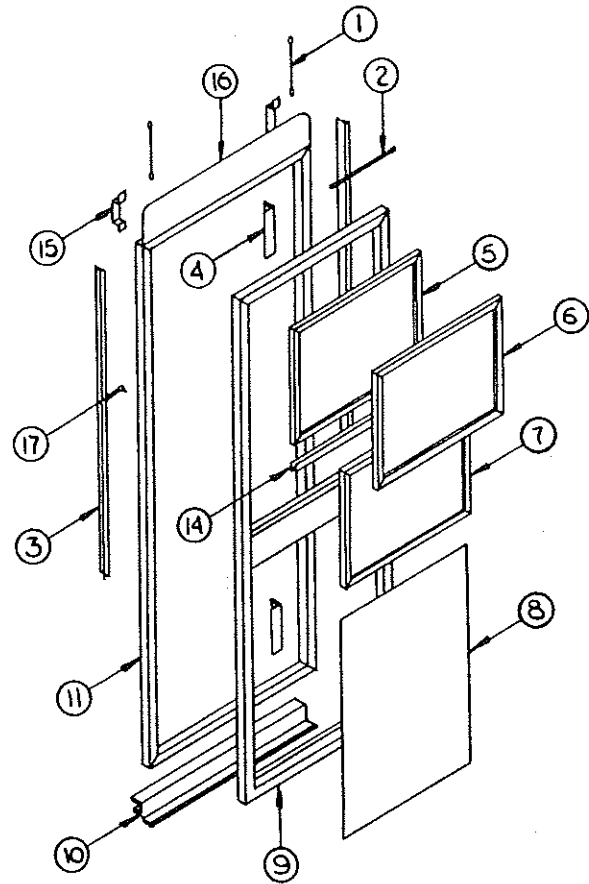
AMERICANA SERIES

- 4710V5051 Screen door assembly
- 4710V5091 Screen door jamb assembly

PIONEER SERIES

- 4710R5051 Screen door assembly
- 4710R5091 Screen door jamb assembly

CODE	PART NO.	DESCRIPTION
1	4734B5211	Cable assembly M2
2	4731A8201	Screen door spring asy
3	4710F4101	Door seal, 46" length
4	4720C3601	Screen door hinge PIONEER
	*1203-863	Rivet
	4720D3601	Screen door hinge AMERICANA
	*4741-986	Rivet
5	4710-5061	Sliding panel PIONEER
	4710A5061	Sliding panel AMERICANA
6	4710A5011	Screen panel PIONEER
	4710B5011	Screen panel AMERICANA
7	4710-5041	Fixed panel PIONEER
	4710A5041	Fixed panel AMERICANA
8	4737A8771	Kick plate PIONEER
	4741F0351	Kick plate AMERICANA
9	4710R5051	Door asy PIONEER
	4710V5051	Door asy AMERICANA
10	4741A622	Screen door support asy
11	4710R5091	Door jamb asy PIONEER
	4710V5091	Door jamb asy AMERICANA
12	4733C4791	Latch asy pkg
	*1202B026	Washer
	*4737-321	White rubber button
13		Strike (in 4733C4791 latch pkg)
	*1203-863	Rivet PIONEER
	*4741-986	Rivet AMERICANA
14	406-00-000-84	Weather strip 18" length
15	4741-865	Sash lock
	*1203-865	Rivet PIONEER
	*4741A186	Rivet AMERICANA
16	4741-883	Top bracket PIONEER
	*1203-865	Rivet
	4741A8831	Top bracket AMERICANA
	*4734A186	Rivet
17	4730A354	Stud



DINETTE TABLE ASSEMBLY

CODE	PART NO.	DESCRIPTION
1	4737D1511	Table top 1967, 1968, 1969, 1993, 1970, 1910, 1995
	4739D1031	Table top 1990
	4741B0451	Table top 1980
	4744A0111	Table top 1985
2	4734B6251	Dinette table leg assembly (includes hardware to install legs M2 to table top)
3	*4720B5951	Table strap asy, 8" length
4	*4734B0841	Towel rack, 22 1/4"
	*1103E1008	Screw, rack to top 1980
	*4737-848	Screw, rack to top all others
5	*4720A1501	Lock brace package
	*4737-847	Screw, brace to top
6	*4720B392	Table leg cap

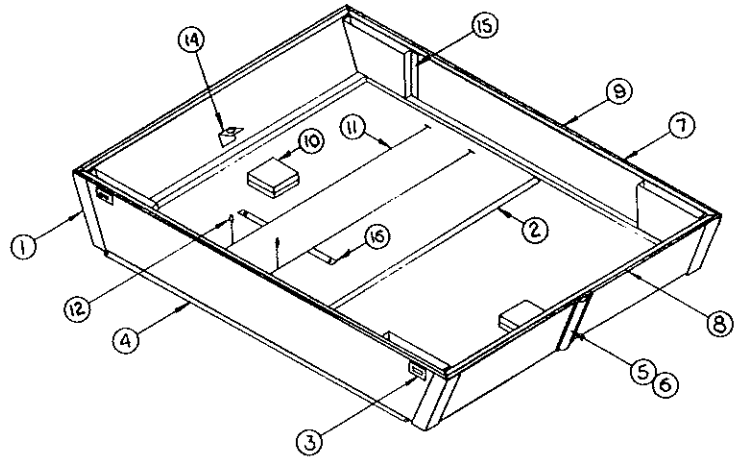
**TOP ASSEMBLIES**

**PIONEER SERIES (Kansas Beige)**

4714A9241 - Top assembly 1967, 1968, 1969  
4714A9251 - Top assembly 1985  
4714A9261 - Top assembly 1993

**AMERICANA SERIES (Colonial White)**

4714B9251 - Top assembly 1970, 1980  
4714B9261 - Top assembly 1990, 1991, 1995



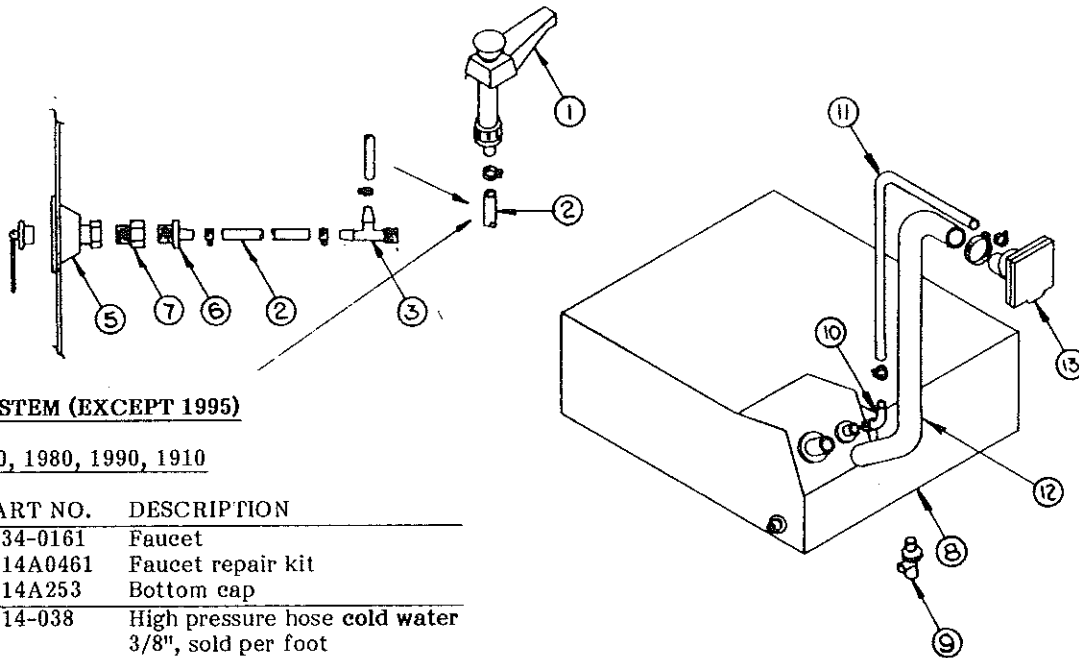
CODE	PART NO.	DESCRIPTION
1		<b>PIONEER SERIES</b>
	4741A1981	Top corner RR/LF
	4741A1991	Top corner LR/RF
		<b>AMERICANA SERIES</b>
	4741B1981	Top corner RR/LF
	4741B1991	Top corner LR/RF
	*4741A936	Screw PIONEER
	*4741B936	Screw AMERICANA
2	4741B1141	Trim strip (74" length)
3	4715B2091	Strike
	*4744-246	Screw
	*1201B695	Nut
4		<b>PIONEER SERIES</b>
	4728A191	Canopy track 1967, 1968, 1969
	4728A207	Canopy track 1985
	4728A208	Canopy track 1993
	*4741A936	Screw
		<b>AMERICANA SERIES</b>
	4728B207	Canopy track 1970, 1980
	4728B208	Canopy track 1990, 1991, 1995
	*4741B936	Screw
	*435-00-000-75	1/32" x 1" live rubber tape
5		<b>PIONEER SERIES</b>
	4741-303	Center seam extrusion 7' models
	4741-312	Center seam extrusion 9' models
	4741-231	Center seam extrusion 11' models
		<b>AMERICANA SERIES</b>
	4741A312	Center seam extrusion 9' models
	4741A231	Center seam extrusion 11' models
	*4741-350	Hexhead screw
	*435-00-000-58	1/4" x 1" Saturated foam tape
	*435-00-000-75	1/32" x 1" Live rubber tape
6	406-00-000-96	Center seam vinyl screw cover
7	406-00-001-99	Top seal (black)
8		<b>PIONEER SERIES</b>
	4741A213	Seal extrusion, front and rear
		<b>AMERICANA SERIES</b>
	4741B213	Seal extrusion, front and rear
	*1103E1010	Screw
9		<b>PIONEER SERIES</b>
	4741A268	Seal extrusion side 7' models
	4741A3141	Seal extrusion side 9' models
	4741A188	Seal extrusion side 11' models
		<b>AMERICANA SERIES</b>
	4741B314	Seal extrusion side 9' models
	4741B188	Seal extrusion side 11' models
	*1103E1010	Screw
10	4737D5911	Dome light base, Bargman
	*4714C0891	Dome light lens, Bargman
	4737E5911	Dome light comp. Progressive
	4714D0891	Dome light lens Dynamics

	*1103B1016	Screw
	*4734-238	Wire connector
11	4733D4711	Screen door track
	*4741-965	Rivet
12	4734B5211	Screen door cable asy M2
	*1203-925	Accordion rivet, plastic
13	4741-8841	Screen door retaining bracket x2
	*4733-411	Screw
	*435-00-000-07	Velcro hook, adhesive-backed
	4741B542	Screen door storage bracket
	*4741A936	Screw
	*406-00-001-53	Edge molding
14	4741B113	Canvas support bracket x2
	*4741A936	Screw
	*406-00-001-53	Edge molding
15	4741B3541	Lift cover CSF and RSR
	4741C1281	Lift cover CSR and RSF
	*1103B1012	Screw
	*4741A355	Hole plug
	*435-00-000-07	Velcro hook, adhesive-backed
16	4723A5061	Screen door safety strap
	*4730A354	Stud
17	*4737-321	Rubber button (white) x2

**PARTS NOT SHOWN FOR 1995 TOP ASSEMBLY**

**Note:** The 4714B9261 top is used on the 1995 with bathroom and shower curtain tracks from old top assembly or with new parts as listed in A, B, and C below.

CODE	PART NO.	DESCRIPTION
A	4741A426	"I" beam shower curtain track
	4739-120	Mounting bracket x9
	4741A936	Screw x2, each bracket
	4724-728	Shower curtain tie
	4730A354	Stud
	1202B269	Washer
	4741A936	Screw
B	4739B121	"I" beam bathroom curtain track
	4739-120	Mounting bracket x6
	4741A936	Screw
C	4737-843	Shade curtain brackets
	4741-965	Rivet



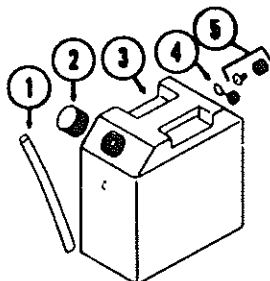
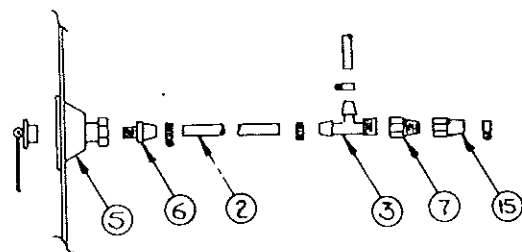
**WATER SYSTEM (EXCEPT 1995)**

Models 1970, 1980, 1990, 1910

CODE	PART NO.	DESCRIPTION
1	4734-0161	Faucet
	*4714A0461	Faucet repair kit
	*4714A253	Bottom cap
2	4714-038	High pressure hose cold water 3/8", sold per foot
3	4734-2321	Running tee
4		
5	4732D1521	City water fill
	*4741-350	Screw
	*4714-0481	Cap and strap
6	4732-4561	Adapter fitting
7	4741-955	Check valve
	*4737A4641	Filter screen
8	4733G1411	Water tank
	*4734B320	Tank bracket
9	4715E4381	Spigot (drain)
10	1218-351	Elbow
11	4733B1201	Vent hose, 1/2" O.D. clear
12	4731F1081	Water fill hose, 1" I.D.
13	4731C1711	Recessed fill spout
	*4744-128	Barbed nipple (1 3/8" barb)
	*4744-129	Barbed connector (3/8" barb)
	*4735C098	Water decal
14	*4731-305	Adjustable hose clamp, 5/8"
	*4715-4501	Adjustable hose clamp, 1 1/4"
15	4741-956	Female adapter
	*1202-582	Washer

**WATER SYSTEM - PIONEER SERIES**

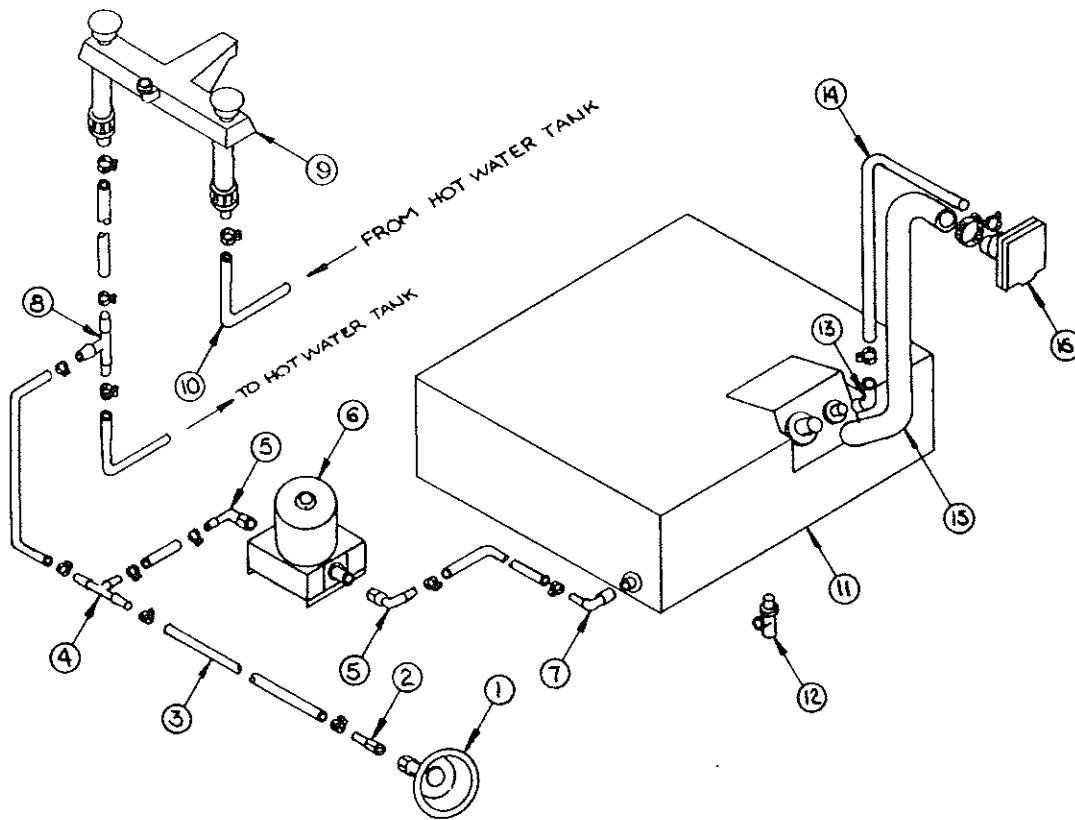
Models 1967, 1968, 1969, 1985, 1993



**WATER SYSTEM - PIONEER SERIES**

Models 1967, 1968, 1969, 1985, 1993

CODE	PART NO.	DESCRIPTION
1	4714A0671	Suction stem
2	4714-0231	Large white cap
3	4735-2131	Water bottle complete
	*4735C098	Water decal
4	4714-0221	Small cap with tie-on
5	4714-024	Barb stem and collar



**WATER SYSTEM - 1995**

CODE	PART NO.	DESCRIPTION
1	4732D1521	City water fill
	*4741-350	Screw
	*4714-0481	Cape and strap
2	4732-4561	Adapter fitting
3	4714-038	High pressure hose <b>cold water</b> 3/8", sold per foot
4	1218-150	Tee
5	4741-906	Swivel elbow
6	4741A5571	Water pump
7	1218-351	Elbow
	*4737A4641	Filter screen
8	4741-238	Tee
9	4744-1481	Faucet Faucet Connector
	*4744-150	Seal
	*4744-233	Nut
	*4744-234	Barb

10	4714-338	High pressure hose <b>hot water</b> 3/8", sold per foot
11	4741-3451	Water tank, 18 gallon
	*4741-441	Tank bracket
12	4715E4381	Spigot (drain)
13	1218-351	Elbow
14	4733B1201	Vent hose, 1/2" O.D. clear
15	4731F1081	Water fill hose, 1" I.D.
16	4731C1711	Recessed fill spout
	*4744-128	Barbed nipple (1 3/8" barb)
	*4744-129	Barbed connector (3/8" barb)
	*4735C098	Water decal
17	*4731-305	Adjustable hose clamp, 5/8"
	*4715-4501	Adjustable hose clamp, 1 1/4"

**Note:** Refer to page 16 for rigid plumbing.

**Shower Head Cap**

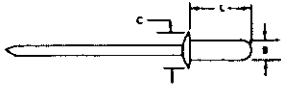
4744-243 Gray hex-head nut

**Shower Diverter Knob**

4714-3491 Knob

# Rivets

# 1985 PARTS LIST



Truss head



Countersunk



Dome head

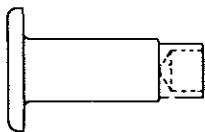
**Pop Rivets** (Equivalent may be purchased locally from hardware store.)

Rivet No.	Pkgd	"B" Dia.	"C" Dia.	"L" Length	Color	Typical Usage
1203-867		1/8	1/4	1/2	Alum.	Upper galley, stud to cooktop, latch to stove cover
1203-8951	M25	1/8	1/4	3/8	Black	Doors to cabinets, latch to latch support
1203-863		5/32	1/4	1/2	Alum.	Screen door assembly, bed extensions
4741-986		5/32	1/4	1/2	Beige	Curtain track to body rail, screen door hinge and strike
1203-8641	M50	3/16	3/8	1/2	Alum.	Rail to body panel, chest of drawers cabinet, corner bulkheads, bed assemblies, upper galley bottoms
1203-8651	M50	3/16	3/8	3/4	Alum.	Taillight ground, drawer slides, bed assemblies, screen door, wheel well
1203-8741	M25	3/16	3/8	3/4	Alum.	Lashing hooks, taillight mounting, marker lights, bed assemblies, screen door
1203-8831	M25	3/16	5/8	5/8	Alum.	Chest of drawers cabinet, screen door cable
1203-8841	M25	3/16	5/8	15/16	Alum.	Bed support clips, rail to bulkhead, wheel well
1203-8861	M25	3/16	5/8	15/16	Brown	Wall panel to tire mount
1203-897		3/16	3/8	1/2	Alum.	Access door bulkhead (countersunk)
1203C8721	M25	3/16	5/8	11/16	Steel	Swing arm assembly, lift assembly, rail to support plate
1203C8751	M25	3/16	3/8	7/16	Steel	Corner bulkhead to frame
4733-0601	M25	3/16	3/8	1/2	Brown	Access doors, latch support to cabinet, support arm to seat, body corners to panels
4733A0601	M25	3/16	3/8	1/2	Beige	Access door cap, corner miter covers
4734-1861	M25	3/16	3/8	3/4	Brown	Fire extinguisher holder, seat frame assemblies, converter panel to wall panel, lower galley assemblies
4734A1861	M25	3/16	3/8	3/4	Beige	Rail to body panel, sash lock and bracket

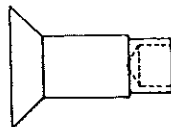
## Expansion Rivets

4741-9651	M25	3/16	7/16	7/8	Alum.	Screen door track, body panels to frame, gas line clamp
4741-9661	M25	3/16	7/16	1 1/4	Alum.	Gas line clamp

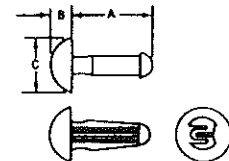
**Note:** This table reflects the general usage of the rivets used in our trailers. It does not include all rivets in the parts catalog. Please refer to individual assemblies to find any specific rivet that is needed.



4731A130 Rivet (steel)  
Two small rollers on bed extension



4731A128 Rivet. On large plastic wheel on bed extension.



1203-925 Accordion rivet.



### PARTS PACKAGES

4739C6591 All models except 1910 and 1995  
 4744A5621 1910  
 4741C5411 1995

### KITS

4714A0461 Faucet repair kit  
 4714A253 Faucet connection kit  
 4714-259 ABS repair kit (clear)

### OTHER PACKAGES

4733C6701 Auto extension (standard on 1995)  
 4741-6561 Spare tire mount (PIONEER SERIES)  
 4741A5791 Spare tire mount (AMERICANA SERIES)

### SEALANTS, ETC.

8C3121 Penetrating lubricant  
 4714-065 Tex-X sealant (clear)  
 4714-217 Dry-clean pad  
 4714A2251 Fabric cement  
 4737A283 Cashmere caulk  
 4737B283 Colonial white caulk  
 4743-158 K-Kote seam sealer

### TOUCH-UP PAINT

16 oz. Spray      Quart Can

#### 1985 Models

Kansas beige	8-246	4714-2641
Black	8-247	
Colonial White	8A244	

#### 1984 Models

Harvest beige (dark)	8-245	4714-2641
Kansas beige (light)	8-246	4714-2631
Chocolate brown	8A243	4714-0091
Colonial white	8A244	

#### Prior Years

Tobacco brown	8A234	4714-0111
Sandalwood beige	8A239	
Terracotta rust	8A241	4714-0081
Mt. Vernon cream	8B240	4714-0171

### HYDRO-FLAME FURNACE - 12,000 BTU

4741-6571 - HydroFlame Furnace

### HYDRO-FLAME FURNACE - 16,000 BTU

4741-6421 - HydroFlame furnace

Reference: Technical Service Bulletin TS:82-7

All warranty service and parts procurement for this item will be handled directly by:

Hydro-Flame Corporation  
 1874 Pioneer Road  
 Salt Lake City, Utah 84014

Phone: 800/654-4614

**Note:** Refer to manufacturer's number HF 8012 PF for 12,000 BTU.  
 Refer to manufacturer's number FA 7916 PF for 16,000 BTU.

### HOT WATER HEATER - QUICK RECOVERY

4741-5531 - Hot Water Heater

Reference: Technical Service Bulletin TS:82-7

All warranty service and parts procurement for this item will be handled directly by:

Attwood Mobile Products  
 4750 Hiawatha Drive  
 Rockford, Illinois 61101

Phone: 815/877-7461

**Note:** Refer to Model G4-SM for four-gallon.  
 Refer to Model G6-SM for six-gallon.

## AXLE ①

Special Order	Sales Stock	
4743A503		Axle assembly complete
	<b>4743A5021</b>	<b>Axle beam</b>
	<b>4738-0981</b>	<b>Spring</b>
	4737A131	Shackle bolt
	4741-949	Shackle bolt nut
	4741-845	U-bolt plate
	4741-843	U-bolt
	4741-935	U-bolt nut
	<b>4738A0451</b>	<b>Hub assembly</b>
	4714A2201	Grease seal
	4714-2231	Bearing
	4714-2221	Race
	4714-306	Castle nut
	1204-126	Cotter pin
	4714-0621	Grease cap
	<b>4715A379</b>	<b>Tire and rim</b>
	1200B552	Lug bolt

## CHASSIS ②

Special Order	Sales Stock	
4743A501		Tongue assembly, welded to frame assembly
4773-015		Coupler assembly, welded to tongue assembly
	<b>4714-2211</b>	<b>Coupler repair kit</b>
	<b>4720A0731</b>	<b>Stabilizer assembly M4</b>
	4714-0261	Foot and spring assembly
	<b>4737-8791</b>	<b>Stack jack</b>
	<b>4743-5361</b>	<b>Tongue harness</b>
	<b>4743A5351</b>	<b>Wire harness</b>
	<b>4743A5301</b>	<b>Parts package</b>
	4735C6691	Pigtail
	4720C3031	Safety chain M2
	4771-263	Safety pin
	4732A479	Hairpin cotter
	4735C5951	Stabilizer handle M5
	<b>4743A5081</b>	<b>Wheel well assembly</b>
	1103E1010	#10 x 5/8 S.S. screw
	4741-965	Rivet M25

## ACCESS DOOR ③

Special Order	Sales Stock	
	<b>4743A5071</b>	<b>Door panel assembly</b>
	4743A0611	Door rail
	1103E1010	#10 x 5/8 S.S. screw
	4743-2621	Door handle
	1202B263	Washer
	4743-1971	Canvas latch
	<b>4714-3621</b>	<b>Key, M2</b>
4743A062		Door trim right
4743-199		Door trim left
4743-200		Door trim bottom
	1114B1008	#10 x 1/2 Screw
4743A063		Door hinge
	1114B1012	#10 x 3/4 Screw
4743-543		Canvas door bow bracket
	1203-8651	Rivet, M50
4743-242		Tarp support bracket
	4733-060	Rivet, M25

## BODY PANELS ④

Special Order	Sales Stock	
	<b>4743A5261</b>	<b>Front panel assembly</b>
	4743-2381	Front rail
	1103E1010	#10 x 5/8 S.S. Screw
	<b>4743-1881</b>	<b>Left front corner angle</b>
	<b>4743-1871</b>	<b>Right front corner angle</b>
	4741B936	Screw, white
	<b>4743A0651</b>	<b>Left panel assembly</b>
	4743A0321	Left rail
	<b>4743A0641</b>	<b>Right panel assembly</b>
	4743A0331	Right rail
	1103E1010	#10 x 5/8 S.S. screw
	<b>4743-241</b>	<b>Coleman logo</b>
	<b>435-00-002-98</b>	<b>Trim tape, 8' required</b>
	<b>4733F1311</b>	<b>Side marker lamp base</b>
	1203-8741	Rivet, M25
	<b>4714D0841</b>	<b>Amber lens</b>
	<b>4714D0851</b>	<b>Red lens</b>
	4743-1971	Canvas latch
	<b>4743A5231</b>	<b>Left rear panel assembly</b>
	4743A0281	Left rear rail
	1103E1010	#10 x 5/8 S.S. Screw
	<b>4743-230</b>	<b>Coleman logo</b>
	<b>4743A160</b>	<b>Colorado decal</b>
4743-202		Door frame left
	1114B1012	#10 x 3/4 Screw
4743-541		Canvas door bow bracket
	1203-8651	Rivet, M50
4743-242		Tarp support bracket
	4733-0601	Rivet, M25
	<b>4743-1311</b>	<b>Taillight assembly complete</b>
	<b>4741A0881</b>	<b>Taillight lens</b>
	1203-8741	Rivet, M25
	4743-1971	Canvas latch
	<b>4743-5451</b>	<b>Right rear panel assembly</b>
	4743A0291	Right rear rail
	1103E1010	#10 x 5/8 S.S. Screw
4743-201		Door frame right
	1114B1008	#10 x 1/2 Screw
4743-542		Canvas door bow bracket
	1203-8651	Rivet, M50
	<b>4743-1321</b>	<b>Taillight assembly complete</b>
	<b>4714A0871</b>	<b>Taillight lens</b>
	1203-8741	Rivet, M50
	4743-1971	Canvas latch
	<b>4743-0761</b>	<b>Rear corner angle</b>
	4741B936	Screw, white