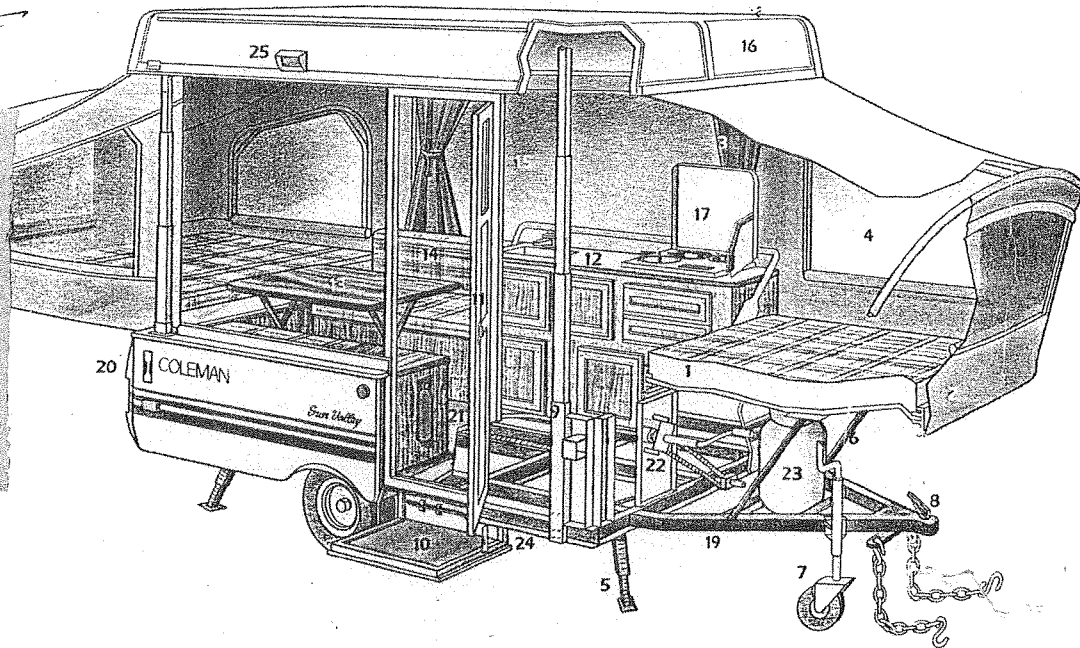


COLEMAN

Camping Trailer



Pioneer™ Series

Redwood®

Columbia™

Newport™

Cape Cod™

Jamestown™ Limited

Americana™ Series

Colonial®

Sun Valley®

Royale™

Shenadoah®

Sequoia®

Williamsburg™

1984 REPAIR PARTS & ACCESSORIES
11M



ACCESSORIES & REPAIR PARTS

AIR CONDITIONER FRAME KIT (Less Canvas), 4739C5801
NOTE: May Not Work With All Types of Portable Air Conditioners.

- 4723C6881 A.C. Canvas, CS Rear - 7' Models
- 4723B6891 A.C. Canvas, CS Rear - 9' Models
- 4723C5301 A.C. Canvas, CS Front - 11' Models
Except Williamsburg
- 4723-7061 A.C. Canvas, CS Rear - Williamsburg
- 4739-134 Upright Pole Ass'y, Front
- 4739-135 Upright Pole Ass'y, Rear
- 4730A354 Stud
- 4739-1361 Cross Post
- 4739-137 A.C. Post Bracket
- 4739-495 A.C. Strap Ass'y
- 4710-268 Stop Button
- 1143B1008 Screw
- 1103B1012 Screw
- 1103B1016 Screw
- 4733-451 Bracket

AIR CONDITIONER - "Mini-Mach" (Roof Mount), 6727-707
Ceiling Ass'y (Required With Above)
4737A8091 "Mini-Mach" Installation Kit

- 4741A463 A.C. Top Brace (Across Top)
- 4741A620 Top Brace Ass'y (Upright)
- 4733-165 Cord Set
- 4737-841 Wire Cover
- 741-462 Spacer Plate
- 741-965 Expansion Rivet
- 11A936 Screw, Kansas Beige

EXTENSION, 12VDC - 25 FT., 4733C6701

RACK, 4739A6091 (Rear Mount)

- 4739A631 Rack Tube Ass'y
- 4739-488 Rack Hook
- 4739-485 Rack Top Bracket
- 4739-484 Cross Brace
- 4724-788 Tie Down Strap
- 4771-263 Hitch Pin
- 4732A479 Safety Pin
- 1014E1024 Screw
- 1201B604 Locknut

435-00-000-56 1/8 x 1 Saturated Foam Tape

435-00-000-91 1/8 x 2 Black Neoprene Seal

RACK, 4739B6091 (Roof Mount)

Requires 4737A8231 Luggage Rack

- 739-605 Brace Ass'y
- 737-940 Cycle Channel
- 7-951 Tie Bar Ass'y
- 935 Tie Down Strap
- 115 Bolt
- '6 Bolt
- 3 Lock Nut
- Acorn Nut

RACK, 4737A8231

Luggage Rack Rail
Luggage Rack Support Ass'y

and
Screw

1/4 - 20x 2 1/2"
Nut

ACCESSORIES & REPAIR PARTS (cont.)

BUMPER, STORAGE; 4733F6481 (All Models)

- 4734E5831 Frame Extension Ass'y - Left
- 4734E5841 Frame Extension Ass'y - Right
- 1032B2416 Flat Head Machine Screw
- 1201B524 Washer
- 1202B046 Washer
- 4733C648 Bumper
- 4714-3351 Bumper End Cap Package
- 1200B303 Bolt, 5/16-18x
- 1202B102 Washer

BUMPER, SPLIT; 4737A8061 (All Models)

- 4741A597 Frame Extension Ass'y (Split)-Left
- 4741A598 Frame Extension Ass'y (Split)-Right
- 1200B304 Hex Head Cap Screw, 3/8-16x3/4"
- 4714-614 Bumper Ass'y (Split)
- 1032B242 Flat Head Machine Screw
- 1202B046 Washer
- 4741A429 Bumper Brace (Split)
- 1006B121 Bolt, 1/4-20x5/8
- 1202B104 Washer
- 4738-047 Nut, 1/4-20
- 1178B161 Tapping Screw, 1/4-28x5/8
- 4741-623 Stabilizer Bracket Ass'y
- 4739-229 Flanged Locknut, 3/8-16

CABANA, 4728E5801

- 4728-1901 Cabana Track
- 4728-5781 Brace Pole Ass'y
- 4728-5791 Eave Pole Ass'y
- 4714-5491 Lock Adjusting Package
- 4728B051 Window Tie, 24"
- 8451-010 10" Twist Stake
- 8470-174 Red Cap
- 8470-172 Pin (Blue), Brace Pole
- 8470-138 Stop (Blue) Eave Pole
- 665-05-000-27 #5 Ziplon Chain Zipper, 9/16"
- 1225-418 #5 Zipper Pull

CANOE & BOAT KIT, 4737B8081

CANOPY, 4724D7001 - 7' Models

4724E7011 - 9' Models

4724E7021 - 11' Models

- 4724C657 Canopy Only, 60 Models (4724D7001)
- 4724D655 Canopy Only, 80 Models (4724E7011)
- 4724D656 Canopy Only, 90 Models (4724E7021)
- 4714-2671 CANOPY BAG, 60 Models
- 4714-2681 CANOPY BAG, 80 Models
- 4714-2691 CANOPY BAG, 90 Models
- 4737A145 Canopy Support, (4724D7001)
- 4737A139 Canopy Support, (4724E7011)
- 4737A154 Canopy Support, (4724E7021)
- 4737A425 End Cap, (Canopy Support)
- 4737-320 Tek Screw
- 4737A5971 Pole Ass'y, x2
- 8470-174 Red Cap, Lower Pole Ass'y
- 4714-5491 Lock Adjusting Package
- 4720A2361 Support Rod & Pal Nuts
- 4714-3331 Poly Rope
- 4724-3931 Rope Adjuster
- 4724-255 Hook Stake (Plastic) 12"
- 1201E733 Pal Nut, x2 (Canopy Stops)
- 1107B0606 Screw

See Inside Back Cover (Page 35) For Balance Accessories & Repair Parts.



1984 PARTS LIST

Table of Contents

DESCRIPTION	PAGE NO.
ACCESSORIES and REPAIR	2, 35
ACCESS DOOR ASSEMBLIES	4
AXLE ASSEMBLIES and COMPONENT PARTS	4, 5
BACKREST ASSEMBLIES	17
BED ASSEMBLIES	7
BODY PANELS, TRIM TAPE & DECALS	8
BODY PANEL ASSEMBLY DETAILS:	
Front	9
Rear	9
Right Front	10
Right Rear	10
Left	11
BRAKE ASSEMBLY - REPAIR PARTS	6
BULB REPLACEMENT	19
CABINET ASSEMBLIES:	
Chest of Drawers	12
Hutch - 1810	12
Potti - 1890	13
Storage - 1870, 1880	13
Storage - 1893	13
Tub - 1895	14
CABINET DOOR DETAILS	19
CANVAS ASSEMBLIES	16
CANVAS SUPPORT ASSEMBLIES	7
CHASSIS ASSEMBLY DETAILS	15
COOLER	12
CRANK & SPROCKET ASSEMBLIES	29
CURTAINS	17
DOOR ASSEMBLIES	17
DOORS	16
ELECTRIC BRAKE PACKAGES	5
ELECTRICAL SYSTEMS	18
EVOLUTION 3 ASSEMBLIES	16

DESCRIPTION	PAGE NO.
FLOOR PLANS	36
FURNACES	20, 21
GALLEY ASSEMBLIES:	
Upper Galley Assembly - Deluxe	24
Upper Galley Assembly - Pioneer	25
Lower Galley Assembly - Pioneer	25
Lower Galley Assembly - Deluxe	26
GALLEY LIFT BAR ASSEMBLY - DELUXE	27
GAS SYSTEMS	22, 23
HATCH DOOR ASSEMBLY - 1810	23
HOSE & REGULATOR ASSEMBLY	23
LIFT ASSEMBLIES	28
MATTRESS ASSEMBLIES	17
MISCELLANEOUS	27
PAINT, TOUCH UP	27
PARTS PACKAGES	29
PLUMBING SYSTEM - 1895	14
RATCHET ASSEMBLY	29
REPAIR KITS	29
RIVETS	34
SCREEN DOOR ASSEMBLIES	30
SEAT FRAME ASSEMBLIES	21
SPRING ATTACHMENTS	5
STOVE COMPONENTS	19
STOVE SHELF ASSEMBLY - 1810	23
TABLE ASSEMBLIES	30
TOP ASSEMBLIES	31
WATER SYSTEMS	32, 33
WHEEL ASSEMBLIES & ACCESSORIES	6
WHIFFLETREE ASSEMBLIES	28
WIRING COLOR CODE	19

NOTES:

**Access Door Ass'ys
Axle Ass'ys and
Component Parts**

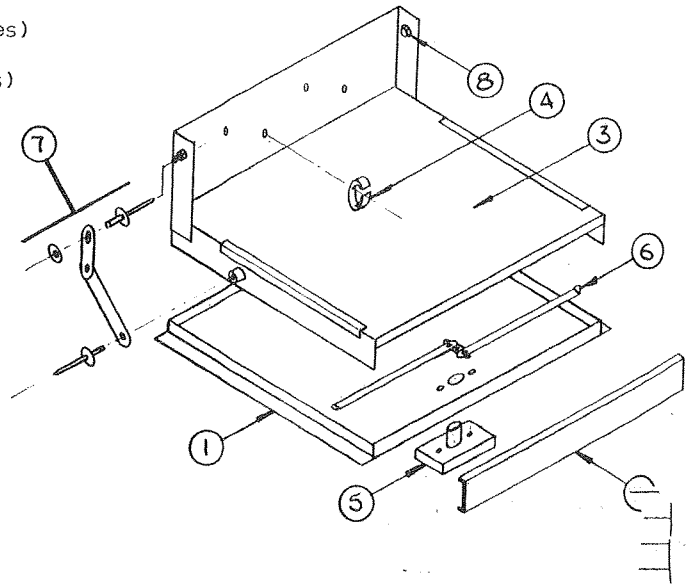
**1984
PARTS LIST**



ACCESS DOOR ASSEMBLY

4739B6541 1867, 1868, 1869, 1885, 1893 PIONEER SERIES
4733P5161 1860, 1880, 1870, 1890, 1810, 1895 DELUXE SERIES

CODE	PART NO.	DESCRIPTION
1	4737A8591	Access Door Skin - (Pioneer Series)
	*435-00-002-97	Trim Tape, 3 Feet Required
	4741B0321	Access Door Skin - (Deluxe Series)
	*435-00-004-05	Trim Tape, 3 Feet Required
2	4731E233	Access Door Cap - (Pioneer Series)
	*1203-864	Rivet, x8
	4731F233	Access Door Cap - (Deluxe Series)
	*4733A060	Rivet, x8
3	4731H2291	Step Door Covering
4	4734-243	Snap Clip
	*4733-411	Tek Screw
5	4730B3111	Lock Handle
	*4730A3211	Access Door Key, M2
	*1032B1014	Screw, x2
	*1201B695	Keps Nut, x2
6	4730A5201	Lock Bar Ass'y
	*4741-143	Reinforcement Plate
	*1202B852	Lockwasher
7	4734-5571	Swing Arm Ass'y
	1203C872	Rivet NOTE: Rivet & Washer
	1202B046	Rivet Inc. in Swing Arm Pkg.
8	1006B242	Bolt, 3/8 16 x 1 1/4
	1202B046	Washer
	1201B518	Nut, 3/8-16



* PARTS NOT IDENTIFIED ON DIAGRAM

NOTE: 406-00-250-06 1/8 x 1/2 Adhesive Backed Foam Tape on Door Skin Flanges.

AXLE ASSEMBLIES & COMPONENT PARTS

	*Ref. Axle w/Hubs and Springs	Axle Assy w/Hubs	Axle Beam Only	Hub Assy	Spring
PIONEER SERIES					
1867 "COLUMBIA"	----	4741A6308	4741A6251 1" Spindle	4738A0451	4738-0981 2 Leaf-600#
1868 "JAMESTOWN LTD"	----		4714A3341	4714-3051	4741B3381 2 Leaf-750#
1869 "REDWOOD"	4741C576	4741B575	1 1/16 Spindle	4714-3051	4735C2201 3 Leaf-1000#
1885 "NEWPORT"	4741C576	4741B575	4714A3341 1 1/16 Spindle	4714-3051	4735C2201 3 Leaf-1000#
1893 "CAPE COD"	4733C631	4741B575	4714A3341 1 1/16 Spindle	4714-3051	4735C2201 3 Leaf-1000#
DELUXE SERIES					
1860 "COLONIAL"	----	4741A6308	4741A6251 1" Spindle	4738A0451	4738-0981 2 Leaf-600#
1870 "ROYALE"	4741C576	4741B575	4741A3341	4714-3051	4741B3381 2 Leaf-750#
1880 "SUN VALLEY"	4733C631	4741B575	4714A3341 1 1/16 Spindle	4714-3051	4735C2201 3 Leaf-1000#
1890 "SHENANDOAH"	4733C631	4741B575	4714A3341 1 1/16 Spindle	4714-3051	4735C2201 3 Leaf-1000#
1810 "SEQUOIA"	4730G301	4714-6451	4714A3341 1 1/16 Spindle	4714-3041	4735C2201 3 Leaf-1000#
1895 "WILLIAMSBURG"	4730G301	4714-6451	4714A3341 1 1/16 Spindle	4714-3041	4735C2201 3 Leaf-1000#

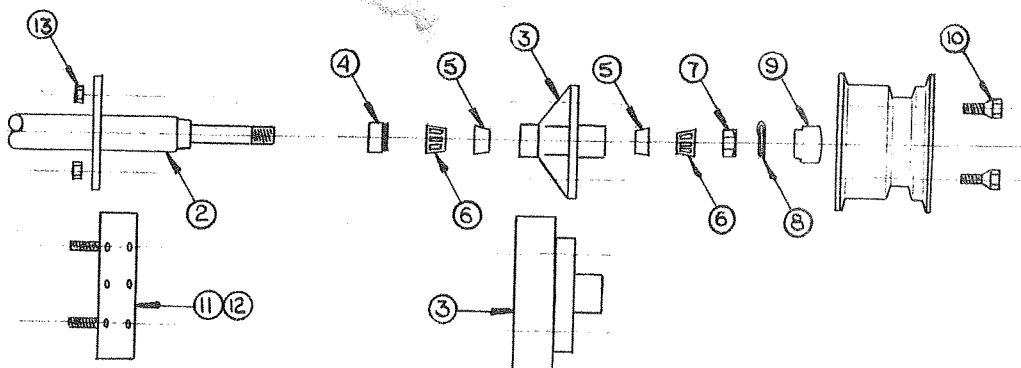
NOTE:

* Part Nos. In This Column Are For Reference Only (Do Not Order By These Numbers).

Axle Beams Are 2000LBS. Capacity w/Brake Mounting Flanges.

51" Spring Centers For Underslung Mounting - 64" Tracking Width - (Straight Spindles)

4714-6451 Axle Assy Includes Electric Brake Assemblies



NOTE: Refer To Axle Assemblies Chart (Page 4) For Items 1, 2 & 3.

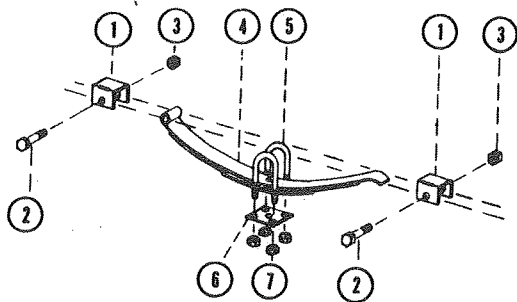
	REFERENCE 1 AXLE ASSY W/HUBS	
	4741A6308	4741B575 And 4741-6451
4 Grease Seal	4714-2201 (L46750)	4714-3031 (08-900113)
5 Inner & Outer Cup (Race)	4714-2221 (L44610, 08-203276)	4714-2221 (L44610, 08-203276)
6 Inner & Outer Cone (Bearing)	4730A4041 (L44643, L44643R)	4714-2231 (L44649, 08-203689)
7 Spindle Nut	4714-234 (08-201766)	4714-306 (08-20734)
8 Cotter Pin	1204-125	1204-125 (08-201996)
9 Grease Cap	4714-0621 (79-000198)	4714-0621 (79-000198)

- 10 1200B552 Lug Bolt, 1/2-20 w/13/16" Hex Head
 11 4733-3521 Right Hand Electric Brake, 7 1/4", (60-250178)
 12 4733-3531 Left Hand Electric Brake, 7 1/4", (60-250179)
 13 1201B527 Nut, 7/16-20 (S/A 4714-229)

ELECTRIC BRAKE PACKAGES (COMPLETE)

- 4714D2011 For 1" Dia. Spindle (1867, 1868, 1869 & 1860)
 4714B2011 For 1 1/16" Dia. Spindle (1885, 1893, 1870, 1880, 1890, 1810 & 1895)

NOTE: Refer To Page 6 For Component Parts of Electric Brake Only.



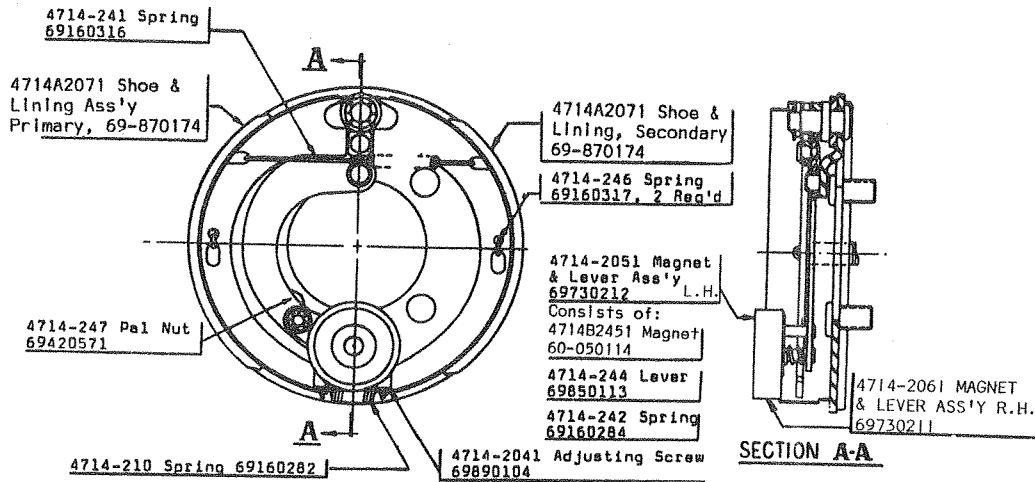
SPRING ATTACHMENTS

CODE	PART NO.	DESCRIPTION
1	4741A339	Rear Spring Shackle
	4741B339	Front Spring Shackle
2	4737A131	Shackle Bolt
3	4741-949	Shackle Bolt Nut
4	REFER TO AXLE ASSEMBLY CHART (Page 4)	
5	4741-843	"U" Bolt
6	4741-845	"U" Bolt Plate
7	4741-935	"U" Bolt Nut

NOTE: "U" BOLT NUT SHOULD BE TIGHTENED TO 180-210 IN. LBS.
 "U" BOLTS SHOULD BE TIGHTENED EVENLY ACROSS THE PLATE.

**Electric Brakes
Wheels and Acc's**

**1984
PARTS LIST**



ELECTRIC BRAKE REPAIR PARTS --4733-3521 RIGHT, AND 4733-3531 LEFT.

COLEMAN PART NO.	FAYETTE PART NO.	DESCRIPTION	PART NO.	PART NO.	DESCRIPTION
4714-2041	69890104	Adjusting Screw Ass'y	4714-246	69160317	Retaining Spring
4714-2051	69730212	Magnet & Lever Ass'y (Left Hand)	4714-247	69420571	Pat Nut (Magnet to Lever Arm)
4714-2061	69730211	Magnet & Lever Ass'y (Right Hand)	4714A2071	69870112	Brake Shoe & Lining Ass'y, M2
4714-210	69160282	Spring--for Adjusting Screw	4714A2151	Spring Kit, NOT SHOWN, Contains Four 4714-246, Two 4714-241 & Two 4714-210.	
4714-241	69160316	Return Spring	4714B2451	60-050114	Magnet
4714-242	69160284	Spring for Magnet & Lever Ass'y			
4714-243	69850112	Magnet Lever, Right Hand			
4714-244	69850113	Magnet Lever, Left Hand			

NOTE: Brake Ass'ys Are Included in 4714B2011 & 4714D2011 Brake Packages

WHEEL ASSEMBLIES & ACCESSORIES

	TIRE & RIM	TIRE COVER	HUB CAP OR HUB COVER
PIONEER SERIES			
1868 "JAMESTOWN LTD"	4715-379		4737B0821
1869 "REDWOOD"	(4.80x8x3.75)	4728A5341	(Pkg. of 2)
1867 "COLUMBIA"			
1885 "NEWPORT"	4730B387	4728H5101	4737C0821
1893 "CAPE COD"	(20.5x8x10)		(Pkg. of 2)
DELUXE SERIES			
1860 "COLONIAL"	4715-379	4728A5341	4737B0821
	(4.80x8x3.75)		(Pkg. of 2)
1880 "SUN VALLEY"	4730B387	4728H5101	4737C0821
1870 "ROYALE"	(20.5x8x10)		(Pkg. of 2)
1890 "SHENANDOAH"			
1810 "SEQUOIA"			
1895 "WILLIAMSBURG"	4744-222	4723-7091	4730A3921
	(A78-13)		(Pkg. of 1)

NOTE:

1. 4737A0821 Is A Replacement Part (Pkg. of 1). (Reference 4737B0821)
2. 4744-230 Is a Hub Cover Decal. (Reference 4737C0821)
3. 4741-6561 Is The Spare Tire Mount For the PIONEER Series.

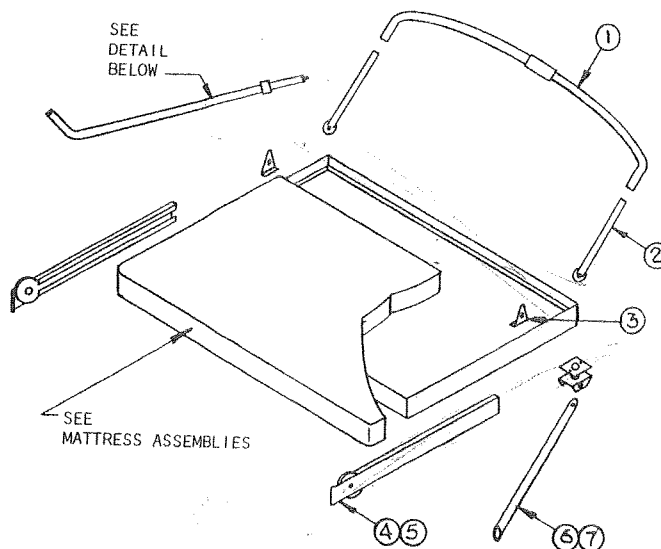
BED ASSEMBLY DETAILS

CODE	PART NO.	DESCRIPTION
1	4737D2631	Upper Canvas Bow Assembly
2	4737C2641	Lower Canvas Support
	*4733-411	Tek Screw, Lower to Upper
3	4720C5631	Bed Bow Bracket
	*1014B1006	Screw, Bow Brkt. to Lwr. Supt.
4		
5	REFER TO BED ASSEMBLIES CHART	
6		
7		

* PARTS NOT IDENTIFIED ON DIAGRAM.

MISCELLANEOUS HARDWARE NOT SHOWN

4734A5141	Bed Leg Support Bracket
4720A2361	Bed Leg Support Rod & Pal Nut
4739-290	Screw Cap
4739-291	Screw Cap Washer
1040B1614	Bolt
1202B252	Washer
4734C447	Support Plate, (2X3)
4737-417	Support Plate, (6X6)
4720C0771	Bed Leg Support Clip, M4
1203-883	Rivet
4720D402	Lashing Hook
1203-874	Rivet
1202B026	Washer



BED EXTENSION HARDWARE

4720B0831	Nylon Wheel
4731A128	Counter Sunk Rivet, Wheel to Ext.
4720B5621	Roller Assy

MODEL	4				5		6	7
	*FRONT BED ASSY	C.S. BED EXTENSION	R.S. BED EXTENSION	*REAR BED ASSY	C.S. BED EXTENSION	R.S. BED EXTENSION	FRONT BED SUPPORT	REAR BED SUPPORT
1867	4739A6218	4739-6151	4739-6191	4739-665	4739A6191	4739A6191	4720E5821	4734C5881
1868	4739A6218	4739-6151	4739-6191	NONE	---	---	4720E5821	---
1869	4739A6218	4739-6151	4739-6191	4744-518	4737-5281	4737-5281	4720E5821	4737C5271
1885	4744-510	4731-6291	4739-6191	4741A649	4739-6191	4739-6191	4720E5821	4734C5881
1893	4744-520	4731-6291	4731-6291	4744-519	4731-6291	4731-6291	4720E5821	4734C5881
1860	4741D5108	4739A6151	4739-6191	4737H5408	4737-5281	4737-5281	4720E5821	4737C5271
1880	4741C510	4731-6291	4739-6191	4741C509	4739-6191	4739-6191	4720E5821	4734C5881
1870	4733E650	4733B6291	4733B6291	4737G540	4737-5281	4737-5281	4720E5821	4737C5271
1890	4733E6508	4733B6291	4733B6291	4720L539	4731-6291	4731-6291	(SHORT)	4734C5881
1810	4733E6508	4733B6291	4733B6291	4720L5396	4731-6291	4731-6291	4733D6351	4734C5881
1895	4733E6508	4733B6291	4733B6291	4741A600	4731-6291	4731-6291	(LONG)	4734C5881

NOTE:

* Bed Assemblies Complete Except For Mattresses

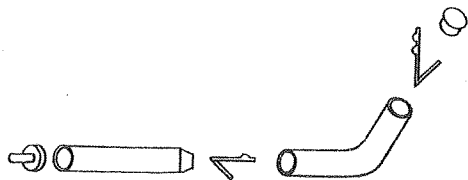
See Page For Expanda Bed Cushion Assemblies

CANVAS SUPPORT ASSEMBLIES

4737E5431	Canvas Support, Small Bed
4741B5591	Canvas Support, Regular Bed
4741B5581	Canvas Support, Queen Bed

CODE	PART NO.	DESCRIPTION
1	8470-172	Pole Pin, Blue
2	4734-670	Spring Assy.
3	4734A670	Spring Assy.
4	4730B464	Tube Closure

* PARTS NOT INDICATED ON DIAGRAM



**Body Panels -
Trim Tape & Decals**

**1984
PARTS LIST**



PIONEER SERIES BODY PANELS, TRIM TAPE AND DECALS					
	1867 COLUMBIA	1868 REDWOOD	1869 JAMESTOWN LTD	1885 NEWPORT	1893 CAPE COD
FRONT PANEL	4737B8601	4737B8601	4737B8601	4737B8601	4737B8601
Latch Decal	4737A363	4737A363	4737A363	4737A363	4737A363
Open Decal	4730E318	4730E318	4730E318	4730E318	4730E318
Gas Supply Plt	4730E213	4730E213	4730E213	4730E213	4730E213
REAR PANEL	4737B8621	4737B8621	4737B8621	4737B8621	4737B8621
Trim Tape (*)	5 FT.	5 FT.	5 FT.	5 FT.	5 FT.
Coleman Logo	4741C286	4741C286	4741C286	4741C286	4741C286
LEFT PANEL	4737B8631	4737B8631	4737B8631	4744A0041	4744-0541
Trim Tape (*)	4 FT.	4 FT.	4 FT.	10 FT.	12 FT.
Coleman Logo	4733G461	4733G461	4733G461	4733G461	4733G461
RT. REAR PANEL	4737B8611	4737B8611	4737B8611	4744A0031	4744-0531
Trim Tape (*)	4 FT.	4 FT.	4 FT.	5 FT.	6 FT.
Coleman Logo	4733G461	4733G461	4733G461	4733G461	4733G461
Name Decal	4737B880	4737B878	4733G462	4744A001	4739C191
RT FRONT PANEL	4737B8571	4737B8571	4737B8571	4744A0051	4744-0551
Trim Tape (*)	2 FT.	2 FT.	2 FT.	3 FT.	4 FT.

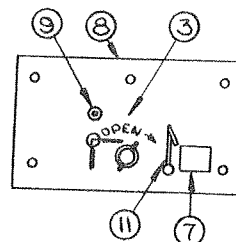
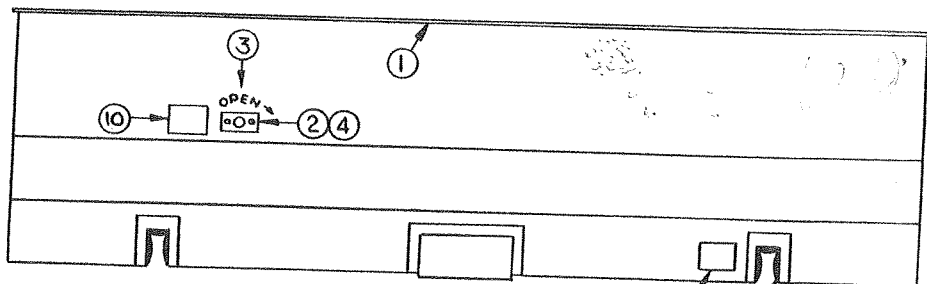
(*) 435-00-002-97 "PIONEER" Series Striping

NOTE: Refer to Pages thru for Assembly Details

DELUXE SERIES BODY PANELS, TRIM TAPE AND DECALS						
	1860 COLONIAL	1880 SUN VALLEY	1870 ROYALE	1890 SHENANDOAH	1810 SEQUOIA	1895 WILLIAMSBURG
FRONT PANEL	4733M1001	4733M1001	4733M1001	4733M1001	4733M1001	4733M1001
Trim Tape (*)	8 FT.	8 FT.	8 FT.	8 FT.	8 FT.	8 FT.
Latch Decal	4737A363	4737A363	4737A363	4737A363	4737A363	4737A363
Open Decal	4730E318	4730E318	4730E318	4730E318	4730E318	4730E318
Gas Supply Plt	4730E213	4730E213	4730E213	4730E213	4730E213	4730E213
REAR PANEL	4733M1011	4733M1011	4733M1011	4733M1011	4733M1011	4733M1011
Trim Tape (*)	6 FT.	6 FT.	6 FT.	6 FT.	6 FT.	6 FT.
Coleman Logo	4741C286	4741C286	4741C286	4741C286	4741C286	4741C286
LEFT PANEL	4737L0161	4733P1081	4733P1081	4734L0241	4744-1981	4734L0241
Trim Tape (*)	8 FT.	9 FT.	9 FT.	11 FT.	11 FT.	11 FT.
Coleman Logo	4733G461	4733G461	4733G461	4733G461	4733G461	4733G461
RT REAR PANEL	4737G1141	4733F1091	4733F1091	4741B3001	4744-1991	4739C0181
Trim Tape (*)	4 FT.	6 FT.	6 FT.	6 FT.	6 FT.	6 FT.
Coleman Logo	4733G461	4733G461	4733G461	4733G461	4733G461	4733G461
Name Decal	4739E039	4733J051	4741B891	4733K407	4739F022	N/A
RT FRONT PANEL	4737H0181	4733E1101	4733E1101	4741B3011	4741B3011	4739E0191
Trim Tape (*)	2 FT.	2 FT.	2 FT.	3 FT.	3 FT.	3 FT.
Name Decal	N/A	N/A	N/A	N/A	N/A	4739E040

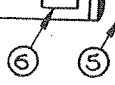
(*) 435-00-004-95 "DELUXE" Series Striping

NOTE: Refer to Pages thru For Assembly Details



Deluxe Panel Shown

See Detail

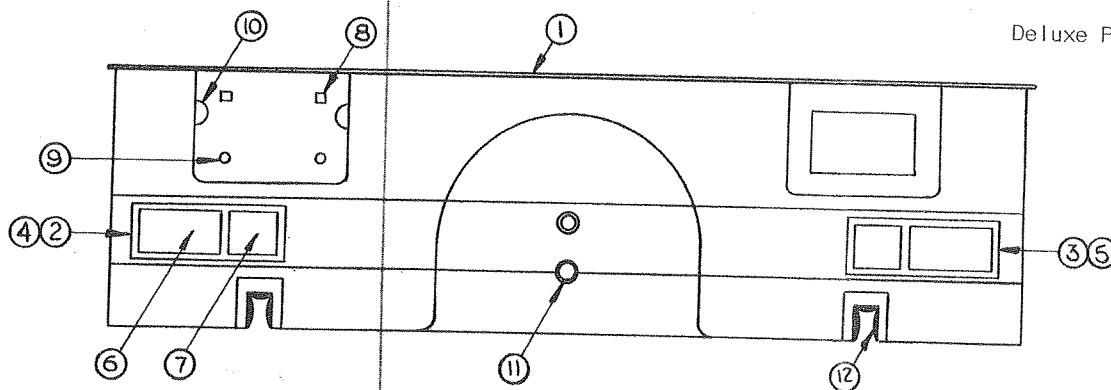


FRONT BODY PANEL ASSEMBLY DETAILS
(Refer to Chart for Panels, Trim Tape and Decals)

CODE	PART NO.	DESCRIPTION
1	4737-881	Front Body Rail (Pioneer Series)
	*1203-864	Rivet, x7 Rail to Panel
	4720F180	Front Body Rail (Deluxe Series)
	*4741B157	Clip, x4
	*1103E1008	Screw, x5 Rail to Panel
2	4741-967	Bushing Plate (Pioneer Series)
	4741A403	Bushing Plate (Deluxe Series)
	*4741-350	Screw, x2 Hex Head Aluminum
3	4730E318	"OPEN" Decal
4	4741A437	Grommet
5	4737A445	Gasket

CODE	PART NO.	DESCRIPTION
6	4730E213	Gas Supply I.D. Plate
7	4739-117	Switching Decal
8	4715F123	Body Filler Plate
	*1103E1008	Screw, x5 Filler Plate to Panel
	*435-00-000-16	Foam Tape Around Perimeter
9	4724-260	Stop Button
	*1103B1012	Screw
10	4737A363	Latch Caution Decal
11	4730A1221	Safety Latch
	*4720A344	Screw
	*1202B040	Washer, 5/8 O.D.
	*1201B603	Nut
	*1202B252	Washer, 1 1/4 O.D. (Pioneer Series)

* PARTS NOT IDENTIFIED ON DIAGRAM



Deluxe Panel Shown

REAR BODY PANEL ASSEMBLY DETAILS
(Refer to Chart for Panels, Trim Tape and Decals)

CODE	PART NO.	DESCRIPTION
1	4737-881	Rear Body Rail (Pioneer Series)
	*1203-864	Rivet, x7 Rail to Panel
	4720F1791	Rear Body Rail (Deluxe Series)
	*4741B157	Clip, x4
	*1103E1008	Screw, x5 Rail to Panel
2	4734-3911	Taillight Ass'y. R.S. (Pioneer)
	4714-0881	Taillight Lens Only
3	4734-3921	Taillight Ass'y. C.S. (Pioneer)
	4714-0871	Taillight Lens Only
	*1203-865	Rivet, x1 Each Light (Grounding)
	*1203-874	Rivet, x4 Each Light (Mounting)
	*4734-389	Bushing, X1 Under Each Light

CODE	PART NO.	DESCRIPTION
4	4734C3911	Taillight Ass'y. R.S. (Deluxe)
5	4734C3921	Taillight Ass'y. C.S. (Deluxe)
6	4739-4321	Taillight Lens, Red
7	4739-4331	Taillight Lens, Clear
	*1203-883	Rivet, x4 Each Light (Mounting)
	*1202B269	Washer, x4 Each Light (Mounting)
	*4739-434	Screw, x2 Each Lens
8	4732-1181	Plastic Grommet
	*1121C161	Screw
9	4737-072	Rubber Bumper
10	4739B4311	Tag Light
11	4734-364	Hole Plug
12	4737A445	Gasket
13	*4734-238	Wire Connector, Blue

* PARTS NOT IDENTIFIED ON DIAGRAM

**Panel Ass'y Details:
RT. Front & RT. Rear**

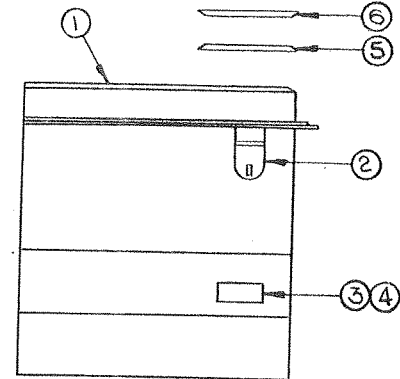
1984 PARTS LIST



4737-8641 LR & RF Body Corner-Pioneer Series

RIGHT FRONT BODY PANEL ASSEMBLY DETAILS
(Refer to Chart for Panels, Trim Tape and Decals)

CODE	PART NO.	DESCRIPTION
PIONEER SERIES		
1	4739C2698	Body Rail, 1867, 1868, 1869
	4744-046	Body Rail, 1885
	4744-065	Body Rail, 1893
	*1203-865	Rivet, Rail to Panel
DELUXE SERIES		
	4739C269	Body Rail, 1860
	4720J133	Body Rail, 1870, 1880
	4739D003	Body Rail, 1890, 1810, 1895
	*4734A186	Rivet, Rivet to Panel
	435-00-002-07	Velcro Hook 2"x2" Square Adhesive Back (Sold Per Foot)
2	4715E5051	Top Latch w/Lock
	*4741-821	Screw, x4
3	4733E1311	Side Marker Lamp Base
	*1203-874	Rivet, x2
4	4714D0841	Side Marker Lamp Lens, Red
5	4737-108	Rail Stop, 10 11/16" 1867, 1868, 1869, 1860
	4730B1211	Rail Stop, 16 3/16" 1885, 1893, 1870, 1880, 1890, 1810, 1895

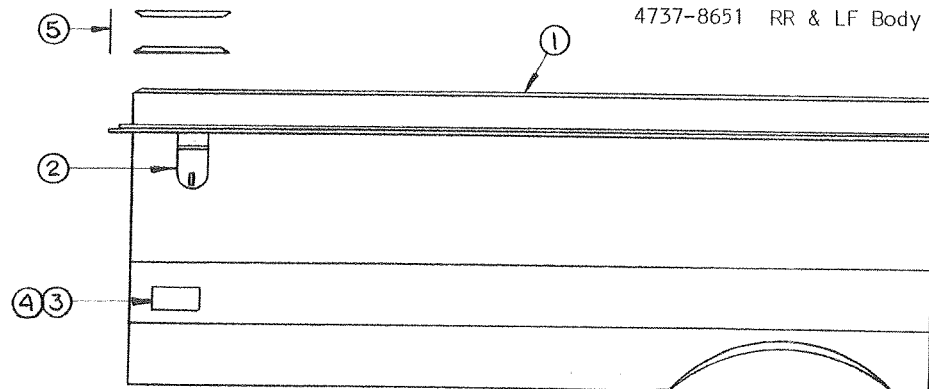


Deluxe Panel Shown

CODE	PART NO.	DESCRIPTION
6	4737-073	Rail Stop, 6 3/16" 1867, 1868, 1869, 1860
	4730B1211	Rail Stop, 16 3/16" 1885, 1893, 1870, 1880, 1890, 1810, 1895

* PARTS NOT INDICATED ON DIAGRAM

4737-8651 RR & LF Body Corner-Pioneer Series



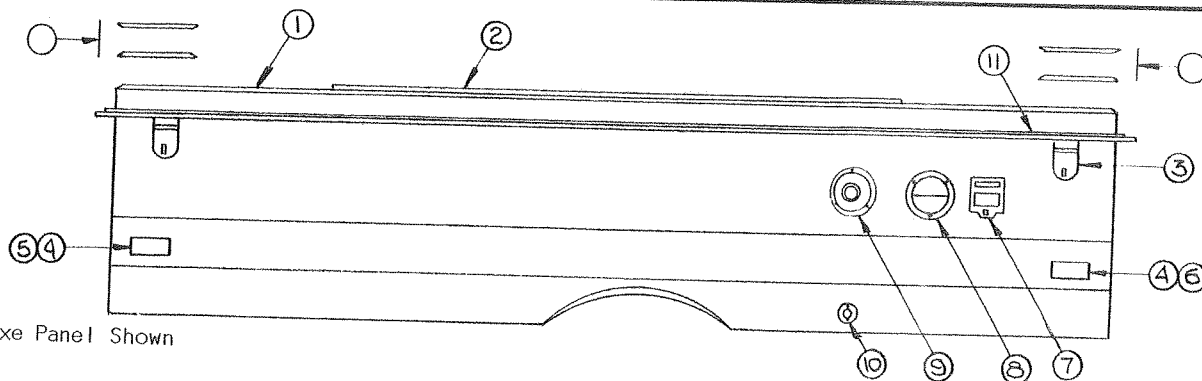
Deluxe Panel Shown

RIGHT REAR BODY PANEL ASSEMBLY DETAILS
(Refer to Chart for Panels, Trim Tape and Decals)

CODE	PART NO.	DESCRIPTION
PIONEER SERIES		
1	4739C2708	Body Rail, 1867, 1868, 1869
	4744-045	Body Rail, 1885
	4744-063	Body Rail, 1893
	*1203-865	Rivet, Rail to Panel
DELUXE SERIES		
	4739D270	Body Rail, 1860
	4720K135	Body Rail, 1870, 1880
	4734G179	Body Rail, 1890, 1810, 1895
	*4734A186	Rivet, Rail to Panel
	*435-00-002-07	Velcro Hook 2"x2" Square Adhesive Back (Sold per Foot)

CODE	PART NO.	DESCRIPTION
2	4741B6041	Top Latch w/o Lock
	*4741-821	Screw, x4 Each Latch
3	4733E1311	Side Marker Lamp Base
	*1203-874	Rivet, x2
4	4714D0851	Side Marker Lamp Lens, Red
5	4737-073	Rail Stop, 6 3/16" 1867, 1868, 1869, 1860, 1870, 1880, 1890, 1810, 1895
	4730B1211	Rail Stop, 16 3/16" 1893, 1890, 1810, 1895

* PARTS NOT INDICATED ON DIAGRAM



Deluxe Panel Shown

LEFT BODY PANEL ASSEMBLY DETAILS

(Refer to Chart for Panels, Trim Tape and Decals)

CODE	PART NO.	DESCRIPTION
PIONEER SERIES		
1	4739D2688	Body Rail, 1867, 1868, 1869
	4744A044	Body Rail, 1885
	4744-064	Body Rail, 1893
	*1203-865	Rivet, Rail to Panel
DELUXE SERIES		
	4739D268	Body Rail, 1860
	4734D177	Body Rail, 1870, 1880
	4734F176	Body Rail, 1890, 1810, 1895
	*4734A186	Rivet, Rail to Panel
	*435-00-002-07	Velcro Hook 2"x2" Square Adhesive Back (Sold Per Foot)
2	4737B2581	Curtain Track Package, M2 Contains 2 Pieces 64" Long
	*4741-986	Rivet, Track to Rail
3	4741B6041	Top Latch, x2 w/o Lock
	*4741-821	Screw, x4 Each Latch
4	4733E1311	Side Marker Lamp Base
	*1203-874	Rivet, x2
5	4714D0841	Side Marker Lamp Lens, Amber
6	4714D0851	Side Marker Lamp Lens, Red

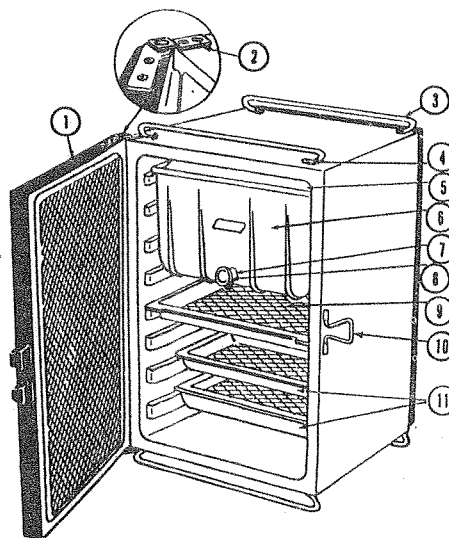
CODE	PART NO.	DESCRIPTION
7	4733A2331	Cable Hatch (Not on 1868, 1869)
	*4741-350	Screw, x4
	*4710C361	110 Volt Decal
8	4731C1711	Recessed Fill Spout (Not on 1867, 1868, 1869)
	*4741-350	Screw, x5
	*4735C098	Water Decal
9	4732D152	City Water Fill
	*4741-350	Screw, x3
10	4734A0681	Drain Spout
	*4741-350	Screw, x2
	*4714-0481	Cap & Strap Package
11	1204-040	Snap Bushing
12	4737-073	Rail Stop, 6 3/16 1867, 1868, 1869, 1860, 1870, 1880, 1885, 1893, 1870, 1890, 1810, 1895
	4730B1211	Rail Stop, 16 3/16
13	4737-073	Rail Stop, 10 11/16 1867, 1868, 1869, 1860, 1880, 1885
	4730B1211	Rail Stop, 16 3/16 1893, 1870, 1890, 1810, 1895

* PARTS NOT IDENTIFIED ON DIAGRAM

4741-999 COOLER (S/A 5257A709) 1870, 1880
1890, 1810, 1895

CODE	PART NO.	DESCRIPTION
1	5257A5291	Door Assembly
2	5257A5151	Hinge Plate
	*5257-1951	Hinge Support (Door)
	*5216-140	Screw, Hinge Support
3	5257A111	Leg, x4
4	1116B0806	Screw, x12
5	5257-1181	Ice Container Lid
6	5257-5301	Ice Container with Lid and Faucet
7	1212-0121	Grommet (Ice Tub)
8	5217-5801	Faucet Complete
	*5500B2635	Nut
9	5257-1101	Drip Tray
10	5257-1821	Latch & Pivot
11	5257-1141	Small Tray
	*8B247	Lacquer, Beige

* PARTS NOT INDICATED ON DIAGRAM



**Cabinet Ass'ys
Cooler**

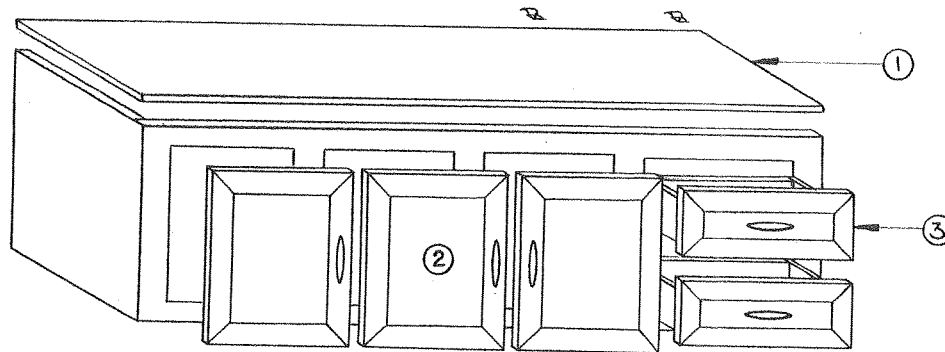
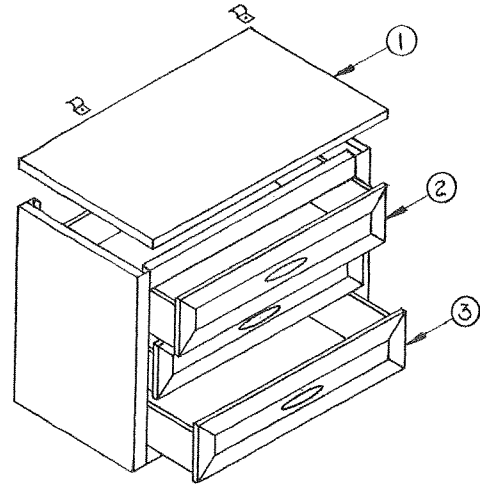
**1984
PARTS LIST**



4741B594 CHEST OF DRAWERS ASSEMBLY 1895

CODE	PART NO.	DESCRIPTION
1	4741B4211	Cabinet Top
	*1103E1008	Screw, Top to Cabinet
	*4720A0721	Cooler Clip
	*1103B0608	Screw
2	4744-536	Drawer Ass'y Top & Middle
	4744-537	Drawer Ass'y Bottom (Short)
	*4739A050	Drawer Pull
	*1022B0814	Screw
3	*1203-925	Accordian Rivet (Plastic)

* PARTS NOT INDICATED ON DIAGRAM



4744-549 HUTCH ASSEMBLY 1810

CODE	PART NO.	DESCRIPTION
1	4744-1831	Cabinet Top
	*1103E1008	Screw, Top to Cabinet
	*4720A0721	Cooler Clip
	*1103B0608	Screw, Clip to Top

CODE	PART NO.	DESCRIPTION
2	4741B5181	Door Assy
	*1203-895	Rivet, Door to Cabinet Front
3	4744-538	Drawer Assy, Top & Bottom
	*4739A050	Drawer Pull
	*1022B0814	Screw

* PARTS NOT INDICATED ON DIAGRAM

4739A279 COOLER (S/A 5286K710) 1885, 1893, 1860

CODE	PART NO.	DESCRIPTION
1	Number Not Assigned	
2	5286-1165	Tray
3	5214B5071	Drain Assembly
4	5286-1025	Lid Assembly
5	1212A0355	Drain Washer

5283-703 COOLER 1867, 1868, 1869

CODE	PART NO.	DESCRIPTION
1	5284-5331	Removable Lid, White

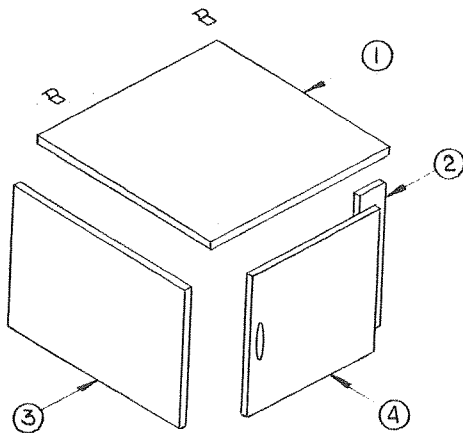
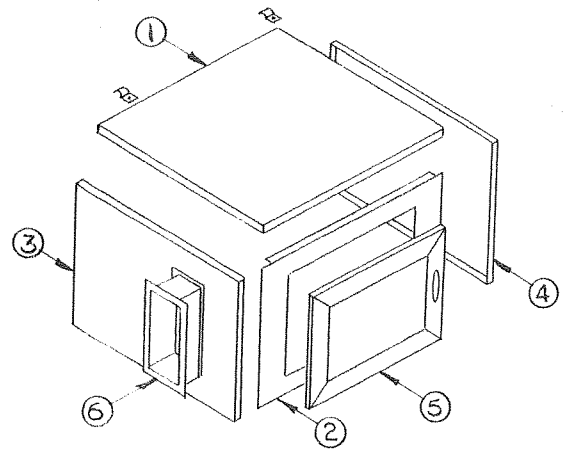
PARTS DIAGRAM NOT AVAILABLE

PARTS DIAGRAM NOT AVAILABLE

4741D523 STORAGE CABINET ASSEMBLY 1870, 1880

CODE	PART NO.	DESCRIPTION
1	4741A0621	Cabinet Top
	*1103B0806	Screw, Top to Cabinet
	*4720A0721	Cooler Clip
	*1103B0608	Screw
2	4741-063	Cabinet Front
3	4741B064	Cabinet Side (Left)
4	4741B065	Cabinet Side (Right)
5	4741B5181	Door Ass'y
	*1203-895	Rivet, Door to Cabinet Front
6	4737B419	Recessed Fire Ext. Mount
	*4734-186	Rivet

* PARTS NOT INDICATED ON DIAGRAM



4741A637 POTTI CABINET ASSEMBLY 1890

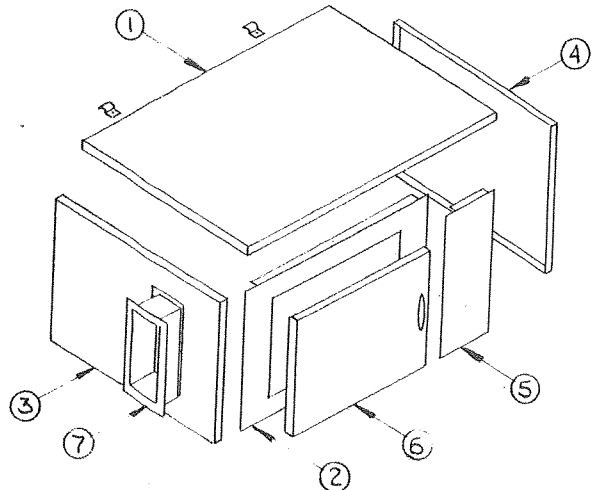
CODE	PART NO.	DESCRIPTION
1	4741A9001	Potti Cabinet Top
	*1103B0808	Screw, Top to Cabinet
	*4720A0721	Cooler Clip
	*1103B0808	Screw
2	4741-901	Potti Cabinet Side Small
	*1103B0808	Screw
3	4741-902	Potti Cabinet Side
4	4741A6381	Door Assy
	*4739-052	Screw, Door to Cabinet Side Small

* PARTS NOT INDICATED ON DIAGRAM

4739D527 STORAGE CABINET ASSEMBLY 1893

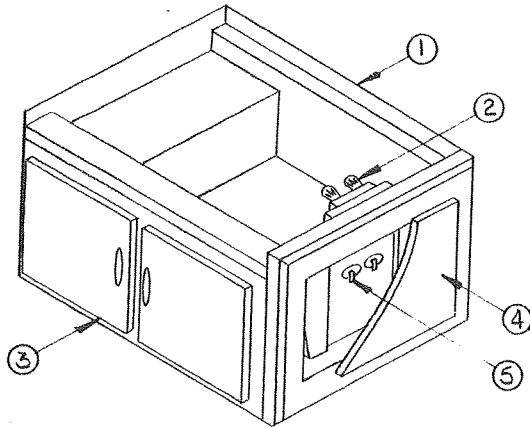
CODE	PART NO.	DESCRIPTION
1	4741A4211	Cabinet Top
	*1103E1008	Screw, Top to Cabinet
2	4741-063	Cabinet Front
3	4741B064	Cabinet Side (Left)
4	4737A239	Cabinet Side (Right)
5	4739C092	Cabinet Spacer (Left & Right)
6	4739B5321	Door Ass'y
	*1203-895	Rivet, Door to Cabinet Front
7	4737B419	Recessed Fire Ext. Mount
	*4734-186	Rivet

* PARTS NOT INDICATED ON DIAGRAM



**Cabinet Ass'ys
Plumbing System 1895**

**1984
PARTS LIST**



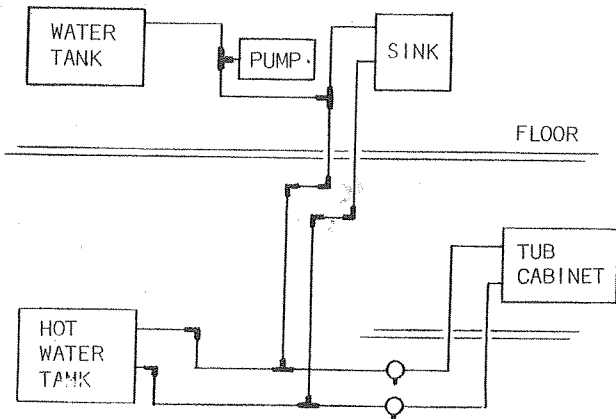
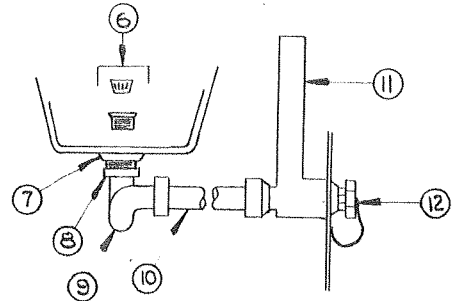
4741D547 SHOWER CABINET ASSEMBLY 1895

CODE	PART NO.	DESCRIPTION
1	4741-2221	Bathtub
	*4733-413	Tek Screw
	*1103B1012	Screw
	*4739-290	Screw Cap, Brown
	*4739-291	Screw Washer
2	4741-2071	Faucet Ass'y
3	4737E5171	Door Ass'y, x2
	*1203-895	Rivet, Door to Cabinet Front
4	4741D5461	Door Ass'y
	*1203-895	Rivet, Door to Cabinet Side
5	4741-235	Swivel Street Elbow

CODE	PART NO.	DESCRIPTION
6	4730D3151	Basket Strainer
7	4741A933	Trap Adapter
8	4737-832	Plastic Nut
9	4741-932	"P" Trap
10	4741-931	Sleeve
11	4741-930	Vent System
12	4714-2861	Cap & Strap
	4714-821	Screw

* PARTS NOT INDICATED ON DIAGRAM

4737-913 TUB DRAIN ADAPTER
Reduces 1 1/2" FPT Drain Outlet to a 3/4" Garden Hose Connection



PLUMBING SYSTEM 1895

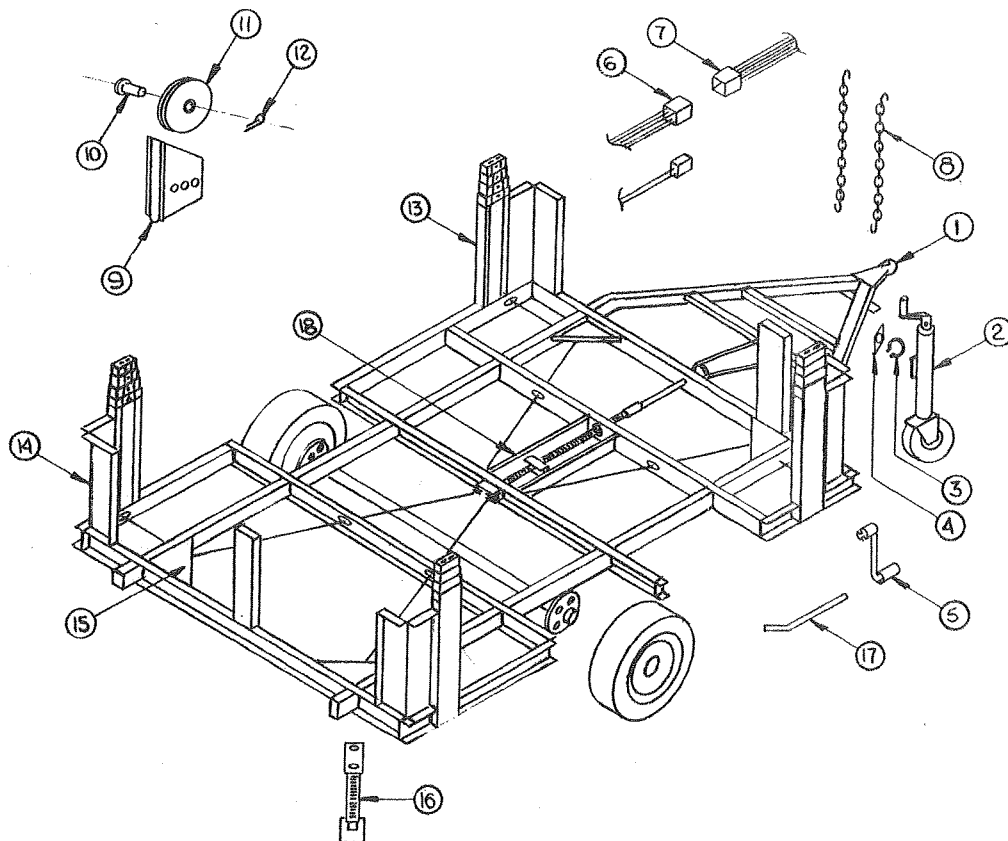
COMPONENTS

- 1218-150 Barbed Tee, x1 (Pump)
- 4741-236 Drain Tee, x2
- 4741-237 Elbow, x2 (Hot Water Tank)
- 4741-238 Barbed Tee, x3
- 4741-239 Barbed Elbow, x4
- 4741-275 Ring Clamp, x15

- 406-00-375-02 3/8" I.D. Flexible Tubing (Cold)
- 406-00-375-03 3/8" I.D. Flexible Tubing (Hot)
- 406-00-500-01 3/8" I.D. Ridgid Tubing

NOTE: Tubing Sold by the Foot

- 1201-873 1/2" Tube Clamp, x4
- 4731-305 5/8" Hose Clamp, x6



CHASSIS ASSEMBLY (NOT SOLD AS A UNIT)

CODE	PART NO.	DESCRIPTION
1	4730A3561	Coupler
	*4714-2211	Coupler Repair Kit
	*4771-263	Hitch Pin
	*4732A479	Safety Pin
2	4720B6661	Tongue Jack Ass'y
	4714-282	Tongue Jack Handle Kit
3	4720A3341	Snap Ring
4	4720A3331	Jack Bracket
5	4720B5211	Crank Handle
6	4735C6751	Wire Harness
	*4735-6871	Power Harness
7	4735C6741	Pigtail
8	4720C3031	Safety Chain
9	4732C367	Adjustable Pulley Bracket
10	4720C157	Short Pin

CODE	PART NO.	DESCRIPTION
11	4715A537	Pulley & Bearing Ass'y
12	1204B108	Cotter Pin, M4
13	*See Page	For Lift Ass'y Detail
14	4733B1541	Corner Bulkhead (Steel)
		All Except 1810, 1880
	4741-008	Corner Bulkhead (Aluminum)
		1870, 1880
15	4739-246	Corner Gusset
16	4720C0731	Stabilizer Ass'y (Complete)
	*4714-0261	Foot & Spring Ass'y
17	4733C5951	Stabilizer Handle
18	4720D2371	Guide Channel
19	*(See Page 4 For Axle & Spring Detail)	
20	*(See Page 6 For Wheel Ass'ys. & Ass's.)	

*PARTS NOT IDENTIFIED ON DIAGRAM

WHEELWELL ASSEMBLY (NOT SHOWN)
4741A331 ALL MODELS

4734E5941 Bumper Cap Ass'y

4744-1491 Stabilizer Foot Extension
(Standard on 1895)
Required With Optional 13" Tire
4738-089 Hex Head Bolt
4738-047 Nut

4714-1991 Wire Harness Repair Kit
(For 4735C6751 Wire Harness)

CANVAS ASSEMBLIES					
PIONEER SERIES	FRONT CANVAS	REAR CANVAS	LARGE WINDOW	SMALL WINDOW	DOOR SEAL
1868 "JAMESTOWN LTD"	4727U6821	4724D5671	4723-7111	4724C7161	4724E6831
1869 "REDWOOD"	4727U6821	4724E6811	4724B7151	4724C7161	4724E6831
1867 "COLUMBIA"	4727U6821	4727U6821	4724B7151	4724C7161	4724E6831
1885 "NEWPORT"	4727U6821	4727U6821	4724B7671	4724A7661	4728E6851
1893 "CAPE COD"	4727U6821	4727U6821	4724-7891	4724-7901	4724D5691
DELUXE SERIES	FRONT CANVAS	REAR CANVAS	LARGE WINDOW	SMALL WINDOW	DOOR SEAL
1860 "COLONIAL"	4727U6821	4724E6811	4724D6801	4723C6161	4724E6831
1880 "SUN VALLEY"	4727U6821	4727U6821	4727U6801	4728E6871	4728E6851
1870 "ROYALE"	4724E6741	4724E6811	4727U6801	4728E6871	4728E6851
1890 "SHENANDOAH"	4724E6741	4727U6821	4724C6771	4724C5681	4724D5691
1810 "SEQUOIA"	4724E6741	4727U6821	4724C6771	4724C5681	4724D5691
1895 "WILLIAMSBURG"	4724E6741	4727U6821	4724C6771	4724C5681	4724D5691

NOTE: 1225U347 Zipper-Pin Half
1225U346 Zipper-Slider Half
1225-419 Zipper Pull

NOTE: 811-42-101-14 42" 10/10 Army Duck Canvas
4727-4471 Canvas Patch Pkg. 12" X 14"

665-05-000-27 No. 5 Ziplon Chain Zipper
Suntain (used around windows)

4714D1611 54" X 3 Yds. Screen Package
4714-0361 54" X 13 Yds. Screen Package

4714-217 Dry Klean Pad

811-80-014-20 80" Vinyl Coated Polyester

406-00-012-01 36" x 12 Mill Clear Vinyl

EVOLUTION 3 ASSEMBLIES					
PIONEER SERIES	FRONT CANVAS	REAR CANVAS	LARGE WINDOW	SMALL WINDOW	DOOR SEAL
1868 "JAMESTOWN LTD"	4724B7461	4724A7781	4724-7801	4724A7771	4724A7731
1869 "REDWOOD"	4724B7461	4724A7791	4724A7761	4724A7771	4724A7731
1867 "COLUMBIA"	4724B7461	4724B7461	4724A7761	4724A7771	4724A7731
1885 "NEWPORT"	4724B7461	4724B7461	4724-7811	4724-7821	4724A7721
1893 "CAPE COD"	4724B7461	4724B7461	4724-7831	4724-7841	4724B7481
DELUXE SERIES	FRONT CANVAS	REAR CANVAS	LARGE WINDOW	SMALL WINDOW	DOOR SEAL
1860 "COLONIAL"	4724B7461	4724A7791	4724A7751	4724A7741	4724A7731
1880 "SUN VALLEY"	4724B7461	4724B7461	4724A7701	4724A7711	4724A7721
1870 "ROYALE"	4724B7471	4724A7791	4724A7701	4724A7711	4724A7721
1890 "SHENANDOAH"	4724B7471	4724B7461	4724B7491	4724B7681	4724B7481
1810 "SEQUOIA"	4724B7471	4724B7461	4724B7491	4724B7681	4724B7481
1895 "WILLIAMSBURG"	4724B7471	4724B7461	4724B7491	4724B7681	4724B7481

DRAPE PACKAGES	
PIONEER SERIES	
1868 "JAMESTOWN LTD"	4724D7101 (ACC.) 4 Panel - RUST
1869 "REDWOOD"	
1867 "COLUMBIA"	
1885 "NEWPORT"	4724-7911 (ACC.) 4 Panel - RUST
1893 "CAPE COD"	4724-7921 (ACC.) 5 Panel - RUST
DELUXE SERIES	
1860 "COLONIAL"	4724F6331 (STD.) 4 Panel - RUST
1870 "ROYALE"	4724J6301 (STD.) 4 Panel - DARK BROWN
1880 "SUN VALLEY"	
1890 "SHENANDOAH"	4724G6311 (STD.) 5 Panel - RUST
1810 "SEQUOIA"	4724E6341 (STD.) 5 Panel - DARK BROWN
1895 "WILLIAMSBURG"	4724G6311 (STD.) 5 Panel - RUST

COMPONENT PARTS

4714-2941 Rope Tie Back
4715-301 Pushnut
4725A1981 Curtain Tab, M100
4714-1031 Curtain Tab, M20
4737C225 26" Drape Track



1984 PARTS LIST

Cushion Ass'ys
BackRest Ass'ys
Mattress Ass'ys
Curtains

CUSHION AND BACKREST ASSEMBLIES				
PIONEER SERIES	CUSHIONS		BACKRESTS	
	ASSEMBLY	COVER	ASSEMBLY	COVER
1868 "JAMESTOWN LTD"	4723B7001	4723C0151	4724E6171	4723E6031
1869 "REDWOOD"	4723B7001	4723C0151	4724E6171	4723E6031
1867 "COLUMBIA"	4714B7331	4714B7351	4714B7361	4714B7371
1885 "NEWPORT"	4744A5411	4714-9301	4744A5421	4714-9311
1893 "CAPE COD"	FRONT 4723B6621	4714B7451	4723B6641	4714B7474
	REAR 4714B7331	4714B7351	4714B7361	4714B7371
DELUXE SERIES				
1860 "COLONIAL"	4724G5271	4725R5551	4724G5281	4725R5271
1880 "SUN VALLEY"	4733F6631	4728H6251	4733F6641	4728H6241
1870 "ROYALE"	4724B7381	4723B0381	4723D6081	4723D6321
1890 "SHENANDOAH"	4725P5281	4725P5561	4725P5821	4725P5691
1810 "SEQUOIA"	4723C6611	4723C0161	4723C6631	4723C0181
1895 "WILLIAMSBURG" (TUB CUSHION)	4724E6411	4723E6021	4724E6421	4723E6061
	4724G5441	4724G2351		

EXPANDA-BED CUSHION ASSEMBLIES			
	CUSHION	COVER	PATCH
1869 "COLUMBIA" CURBSIDE & ROADSIDE	4714C7321	4714C7341	4739B6721

* USE HARDWARE FROM ORIGINAL EQUIPMENT

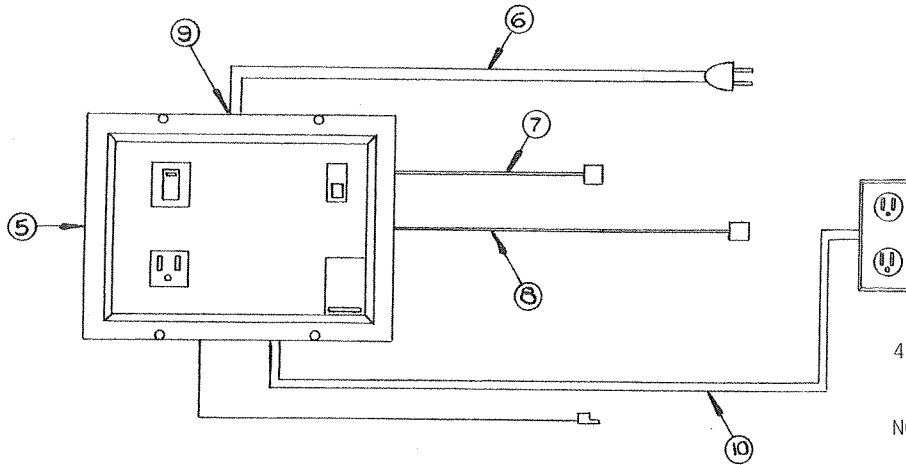
MATTRESS ASSEMBLIES				
PIONEER SERIES	FRONT		REAR	
	ASSEMBLY	COVER	ASSEMBLY	COVER
1868 "JAMESTOWN LTD"	4723C6851	4723C0891	N/A	N/A
1869 "REDWOOD"	4723C6851	4723C0891	4714-6691	4714-6681
1867 "COLUMBIA"	4714B7481	4714B7491	4714B7381	4714B7391
1885 "NEWPORT"	4723C6851	4723C0891	4723C6851	4723C0891
1893 "CAPE COD"	4714B7481	4714B7491	4714B7381	4714B7391
DELUXE SERIES				
1860 "COLONIAL"	4723E6671	4723D0201	4724H5381	4724H5091
1880 "SUN VALLEY"	4725L5391	4725L5381	4725L5391	4725L5381
1870 "ROYALE"	4723E6661	4723D0191	4723E6681	4723D0211
1890 "SHENANDOAH"	4723-7071	4724E2571	4723E6651	4723C0231
1810 "SEQUOIA"	4724E5491	4724E5471	4723E5961	4723E6311
1895 "WILLIAMSBURG"	4724E6121	4723E5011	4725K6201	4725K6191

FABRICS: (54 IN. OLEFIN)

1868 "JAMESTOWN LTD"	841-54-002-40	1860 "COLONIAL"	841-54-002-34
1869 "REDWOOD"	841-54-002-40	1880 "SUN VALLEY"	841-54-001-33
1885 "NEWPORT"	841-54-002-40	1870 "ROYALE"	841-54-001-39
1867 "COLUMBIA"	841-54-002-11	1890 "SHENANDOAH"	841-54-001-37
1893 "CAPE COD"	841-54-002-11	1810 "SEQUOIA"	841-54-001-38
		1895 "WILLIAMSBURG"	841-54-002-08

CURTAIN PACKAGES & COMPONENTS

4725C6351	Privacy Curtain, Dark Rust	4739-119	Carrier & Hook
4725D6351	Privacy Curtain, Brown	4739-120	Mounting Bracket
4714-1031	Curtain Tab, M20	4739-1211	I-Beam Curtain Track
4725A1981	Curtain Tab, M100	4723A6781	Bathroom Curtain Ass'y, Champagne
4725B6361	Dressing Room Curtain, Champagne	4723B6781	Bathroom Curtain Ass'y, Dark Rust
4725C6361	Dressing Room Curtain, Dark Rust	4724-7111	Shower Curtain Ass'y
4725D6361	Dressing Room Curtain, Brown	4739-067	I-Beam Stop
1103B0808	Screw	4739-119	Carrier & Hook
1226-122	Spur Grommet	4741-9401	Shade Ass'y
4739-067	I-Beam Stop	4734-2031	"S" Hook
		4734-204	Eye Hook

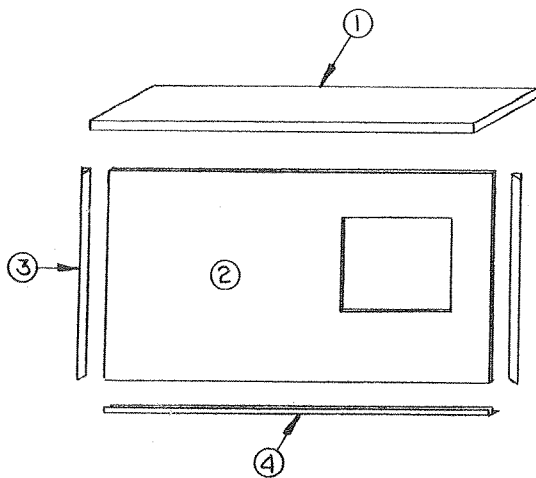


4710B3551 115 VAC Receptacle Box

NOTE: Box is Assembled With Special Tool.

ELECTRICAL SYSTEM DELUXE SERIES

CODE	PART NO.	DESCRIPTION
1	4744-023	Converter Cabinet Top
	*1103B0806	Screw
2	4744-020	Cabinet Panel
3	4741-897	Corner Divider
4	4741A896	Toe Molding
5	4741-5241	Power Converter
	4741A5551	Power Converter 1895 Only
	*1103E101	Screw, Converter to Panel
6	4733-1651	Power Cord, 25 Ft.
	*1201-873	Clamp
	*4739-460	Screw
7	4735B6901	Heater Harness
8	4744-564	Extension Harness, 1810 (114")
	4735B6731	Extension Harness, All Others
9	4734-365	Strain Relief, 7/8"-90°
10	402-14-000-03	14 Guage "Romex" Wire (Sold Per Foot)



*Parts Not Indicated On Diagram

ELECTRICAL SYSTEM 1867, 1885, 1893

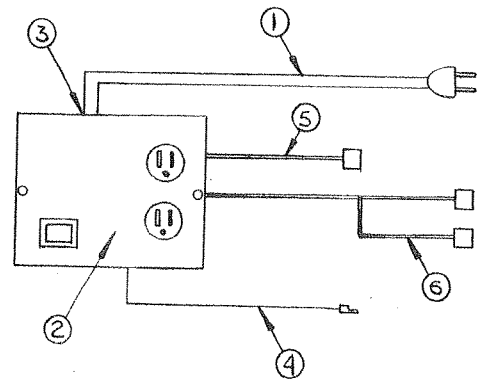
CODE	PART NO.	DESCRIPTION
1	4733-1651	Power Cord
2	4731D131	Breaker Box
3	1216-451	Connector
4	402-08-000-01	Copper Ground Wire
	*4737-130	Squeeze Terminal

NOTE: 4744A5141 Breaker Box Package (Accessory) Available for 1868 & 1869

4737A8281 5.5 AMP/12VDC Converter (Accessory) Used with Breaker Box

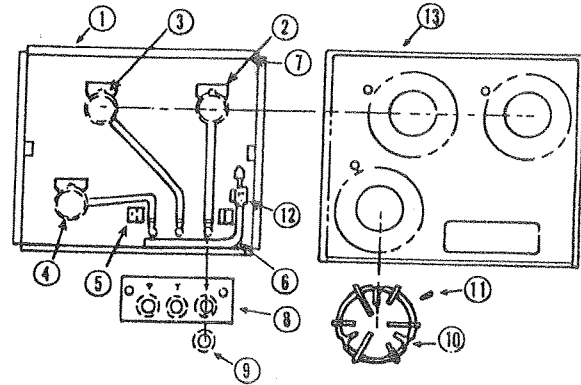
5	4739-694	Converter Pigtail (12" Length")
6	4737A431	Extension Harness (49" Length")

*Parts Not Indicated on Diagram



STOVE DETAILS

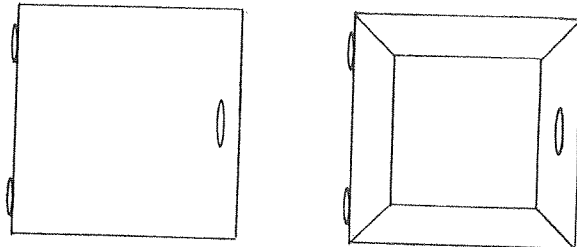
CODE	PART NO.	DESCRIPTION
1	4739B2871	Burner Box Ass'y., 2 Brnr.
	4739C2931	Burner Box Ass'y., 3 Brnr.
2	2202-819	Right Burner, 2 Brnr. Stove
	2203-855	Right Burner, 3 Brnr. Stove
3	2202-850	Left Burner, 2 Brnr. Stove
	2203-887	Left Burner, 3 Brnr. Stove
4	2203-850	Front Burner, 3 Brnr. Stove Only
5	2202A3361	Burner Valve, 2 & 3 Brnr. Stove
6	2202K5271	Manifold Pipe, 2 Brnr. Stove
	2203K5271	Manifold Pipe, 3 Brnr. Stove
7	2208K357	Inlet Bushing 2 & 3 Brnr. Stove
8	2202L5291	Throw-In-Bag, 2 Brnr. Stove
	2203M5921	Throw-In-Bag, 3 Brnr. Stove
9	2205A3371	Knob, 2 & 3 Brnr. Stove
10	2202A3391	Grate
11	2208-3441	Grate Clip Package
12	821-121	3/8" Flare Nut
13	4714-4621	Cooktop, Chrome 2 Brnr.
	4714-4631	Cooktop, Chrome 3 Brnr.
	4744-2381	Cooktop, Porcelain 2 Brnr.
	4744-2401	Cooktop, Porcelain 3 Brnr.



*Refer to Chart on Page 24 For Stove Cover

CABINET DOOR ASSEMBLIES

CODE	PART NO.	DESCRIPTION
1	4739A050	Door Pull
	*1022B0814	Screw (Deluxe Doors)
	*1022B0810	Screw (Plain Doors)
2	4733-6391	Latch & Strike Package
	*4738-308	Screw (Deluxe Doors)
	*1103B0806	Screw (Plain Doors)
3	4739A051	Hinge
	*4738-308	Screw (Deluxe Doors)
	*4739-052	Screw (Plain Doors)



DELUXE	4741B5181	Deluxe Series Lower Galley 1870, 1880 Storage Cabinet 1810 Hutch Cabinet
	4741B5251	Deluxe Series Upper Galley
	4741A6381	1890 Potti Cabinet
	4741D5461	1895 Tub Cabinet
PLAIN	4737E5171	Pioneer Series Upper Galley 1895 Tub Cabinet
	4739B5321	Pioneer Series Lower Galley 1893 Storage Cabinet

WIRING COLOR CODE

White-----Ground
Blue-----Electric Brake
Yellow-----Left Turn & Stop
Red-----Back Up
Brown-----Tail & Side Marker
Green-----Right Turn & Stop

REFER TO THE 1984 OWNER'S MANUAL
FOR WIRING DIAGRAM

BULB REPLACEMENT

INTERIOR, #1141
SIDE MARKER, #194
BACKUP, #1156
STOP/TURN, #1157
TAG LIGHT, #67
PATIO LIGHT, #1003

**Furnace
Hot Water Heater**

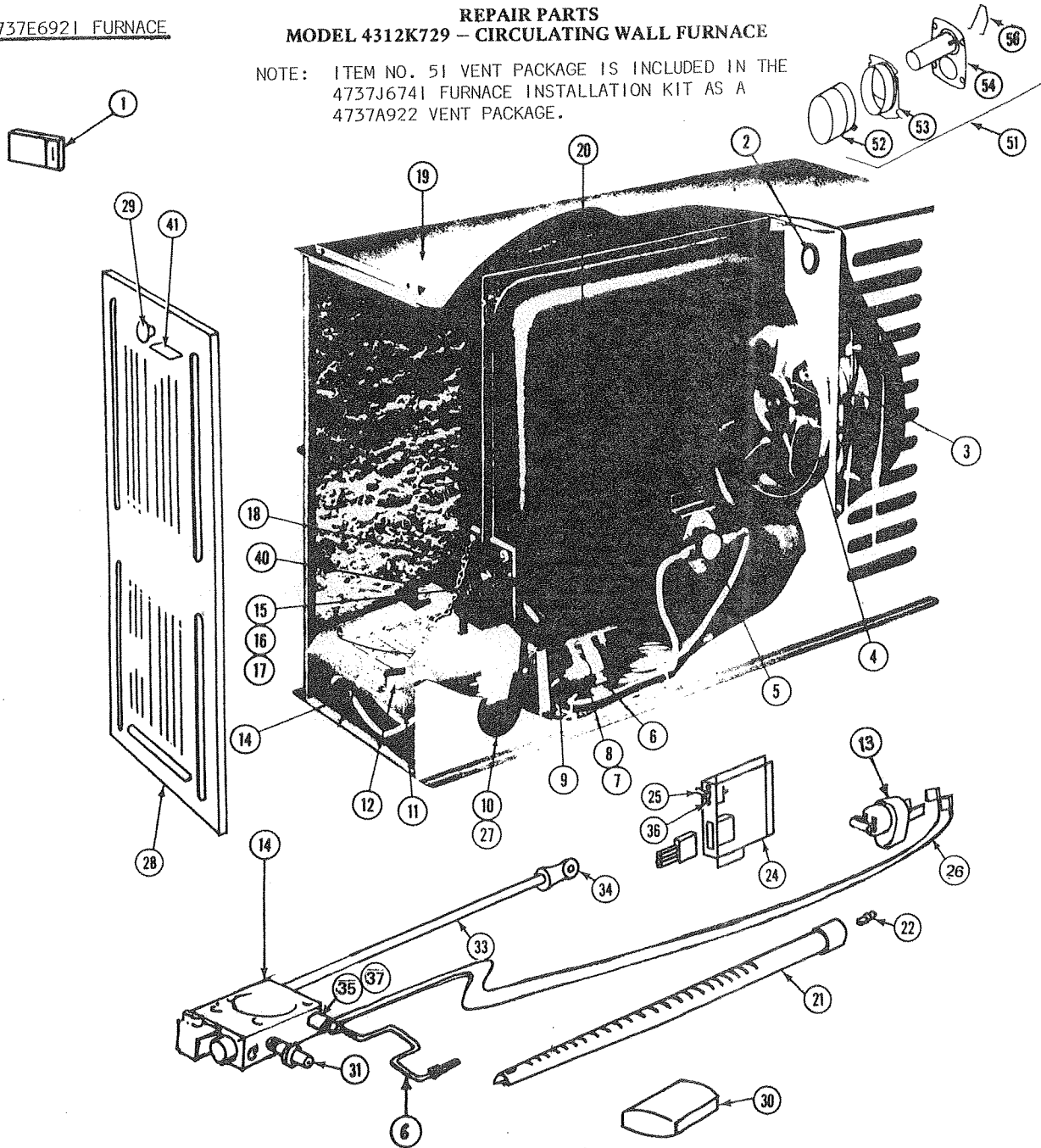
**1984
PARTS LIST**



4737E6921 FURNACE

**REPAIR PARTS
MODEL 4312K729 - CIRCULATING WALL FURNACE**

NOTE: ITEM NO. 51 VENT PACKAGE IS INCLUDED IN THE 4737J6741 FURNACE INSTALLATION KIT AS A 4737A922 VENT PACKAGE.



4741-6421 HYDRO-FLAME FURNACE, 16,000 BTU
REFERENCE: TECHNICAL SERVICE BULLETIN TS:82-7

ALL WARRANTY SERVICE AND PARTS PROCUREMENT FOR THIS ACCESSORY WILL BE HANDLED DIRECTLY BY:

HYDRO-FLAME CORPORATION
1874 PIONEER ROAD
SALT LAKE CITY, UTAH 84104

PHONE: 801/872-4621

4741-5531 HOT WATER HEATER, 4 GALLON, QUICK RECOVERY
REFERENCE: TECHNICAL SERVICE BULLETIN TS:82-2

ALL WARRANTY SERVICE AND PARTS PROCUREMENT FOR THIS ITEM WILL BE HANDLED DIRECTLY BY:

ATTWOOD MOBILE PRODUCTS
4750 HIAWATHA DRIVE
ROCKFORD, ILLINOIS 61101

PHONE: 815/877-7461



1984 PARTS LIST

Furnace
Seat Frame Ass'ys

4737E6921 FURNACE, MODEL 4312K729, 12,000 BTU

CODE	NO. REQ.	PART NUMBER	DESCRIPTION
1	1	4312K3221	Thermostat (Brown, Adj. Ant. W-R No. 1D30)
2	1	4312K3081	Fan Switch (C-125° 0-100° TI No. 20601F29)
3	1	4312K5111	Motor (12V DC)
4	1	4312K3051	Fan Blade (5-5/8 D. 40° P. 5 Blade Torin No. OUH5740-5)
5	1	4312K3591	Limit Switch (0-210° C-170° TOD No. 60T11-201036, TI No. 20601L)
6	1	8622K3141	Thermocouple
7	1	4312K3241	Pilot Burner
8	1	9969A0101	Pilot Orifice (Elbow Swivel .010)
9	1	4312K1541	Pilot Tube (Formed)
10	1	1204-036	Snap Bushing (1-5/8 Dia.)
11	1	4312-145	Valve Cover
12	1	4312K3231	Igniter (Panasonic No. EFI-AA25)
13	1	4312K6001	Cut-Off Element
14	1	4312K3501	Gas Valve (1/4 In & Out G-C No. RV28SA54)
15	1	4312K5021	Burner Door (w/Cap, Glass & Gasket)
16	1	4312K1991	Gasket Pkg. (Burner Door & Pilot)
17	1	4312K5121	Lighter Cap (w/Rod, Glass & Gasket)
18	1	4312-349	Chain (6" Long)
19	1	4312K5851	Casing Assembly
20	1	4312K5751	Heat Exchanger (w/Burner Door & Gasket)
21	1	4312K3271	Burner (w/Air Shutter)
22	1	9904K0381	Orifice (.038 Dia.)
24	1	4312K5261	Junction Box Complete
25	1	4230K3611	Toggle Switch (On/Off 2 Terminals Carling No. 110-73)
26	1	4312K601	Wire and Terminal Assembly
27	1	1204-035	Snap Bushing (1-1/4 Dia.)
28	1	4312K5881	Front Panel (Dark Brown with Knob, Latch & Brackets)
29	1	4312K3201	Knob & Latch Pkg.
30	1	4312L561	Single Parts Pkg.
31	1	1215-415	Half Union (5/8 - 18 Flare x 1/4 - 18 NPT - Brass)
33	1	4312K007	Pipe Nipple (1/8 x 14" Long)
34	1	1210-001	90° Elbow (1/8 x 1/8 Pipe Thread)
35	1	4312K7031	Adapter
36	1	4230-362	Indicating Plate (On/Off)
37	1	4312K702	Ring
40	1	4312-148	Retainer (Valve Cover)
41	1	2228-364	Coleman Logo

ACCESSORIES:

50	51	52	53	54	56	
SERVICE ADAPTER PLUG	VENT PKG.	ADJ.	SLEEVE	VENT COLLAR	VENT HOOD	WIRE STOP
4316-611	4312K6301	1"-3"	4312K619	4312-602	4312C608	4312-318
	4312K6311	3"-6"	4312K620	4312-603	4225C609	4312-318

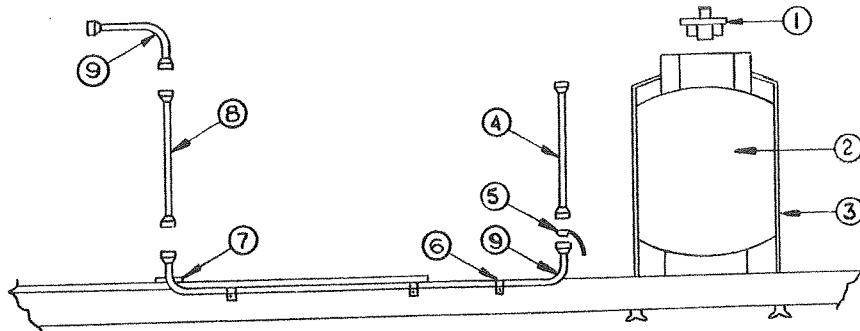
PIONEER SERIES	SEAT FRAME ASSEMBLIES	
	CURBSIDE	ROADSIDE
1867 "COLUMBIA"		
1868 "JAMESTOWN LTD"	4741B573	4733G5828
1869 "REDWOOD"		
1885 "NEWPORT"	4744A512	4744A511
1893 "CAPE COD"	4733G551	4733G582
DELUXE SERIES		
1860 "COLONIAL"	4741B573	4733G5828
1870 "ROYALE"		
1880 "SUN VALLEY"	4741C512	4741C511
1890 "SHENANDOAH"	4733H555	4733H556
1810 "SEQUOIA"	4744-547 (LFT)	4744-546 (RGT)
1895 "WILLIAMSBURG"	4733G551	4733G582

NOTE:

4739B215 Curbside Seat Extension Top 1867, 1868, 1869
 4744-034 Curbside Seat Extension Top 1885
 4739C055 Curbside Seat Extension Top 1870, 1880
 4744-526 Drawer Assy 1890 Curbside Seat Assy
 4714A4501 Universal Wall Panel (48 x 18 1/8")
 4714-2911 Corner Divider (17 5/8" Lengths) M5
 4714-2921 Panel Divider (17 5/8" Lengths) M5
 4714-2931 Toe Molding (60" Lengths) M2

Gas Systems

1984 PARTS LIST

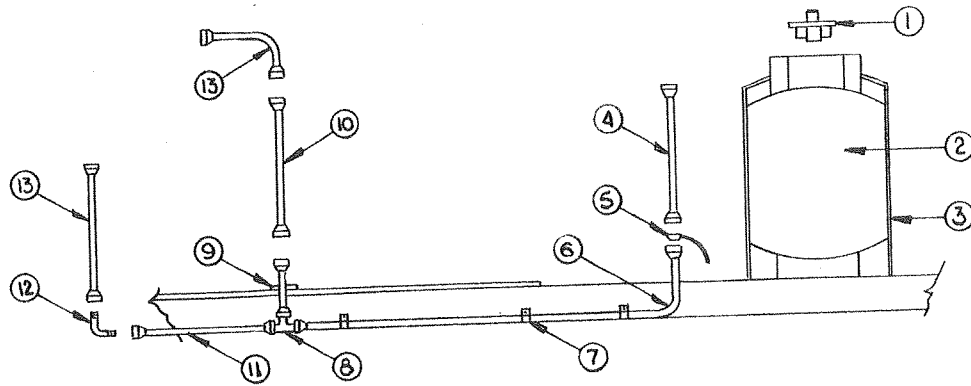


GAS SYSTEMS - ALL EXCEPT - 1810 & 1895

CODE	PART NO.	DESCRIPTION
✓ 1	4739A1291	Regulator
	*4734B3781	Regulator Cover
2	4733D6921	Gas Bottle Package, Complete with Regulator, Cover & Hose
	4720G592	Gas Bottle Only
3	4733F6281	Gas Bottle Mounting Package
✓ 4	4733A3991	Flexible Gas Hose
✓ 5	4733A388	Plastic Cap w/Chain

CODE	PART NO.	DESCRIPTION
✓ 6	1201-870	3/8" Tube Clamp, (Rubber Coated)
	4739-425	3/8" Tube Clamp, (Uncoated)
	*4737-255	Tek Screw
✓ 7	4733A412	Bushing
✓ 8	4730A3431	Flexible Gas Hose
✓ 9	*4714-0711	Gas Line Package, 100" Length Includes (1) Bushing and (2) Flared Nuts

* PARTS NOT INDICATED ON DIAGRAM



GAS SYSTEMS - 1895

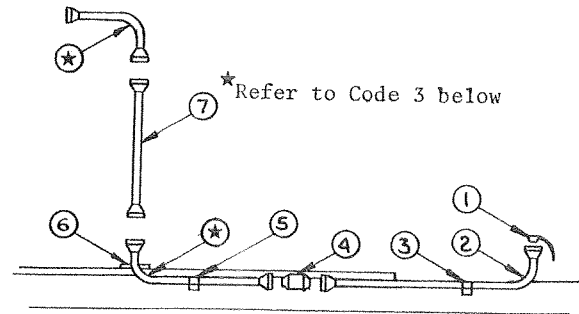
CODE	PART NO.	DESCRIPTION
1		
2	(SAME AS ABOVE)	
3		
4	4737-8871	Flexible Gas Hose
5	4737-838	Plastic Cap w/Chain
6	4734B555	Copper Gas Line 1/2" O.D. x 75" Assy Includes Flare Nuts
	*1215-243	Flare Nut (For 1/2" Line)
	*231-00-500-21	1/2" O.D. Copper Tubing
7	1201-873	1/2" Tube Clamp, (Rubber Coated)
	*4733-411	Tek Screw

CODE	PART NO.	DESCRIPTION
8	1215-178	Tee
9	4733A412	Bushing
10	4730A3431	Flexible Gas Hose
11	4739-425	3/8" Tube Clamp (Uncoated)
	*4733-411	Tek Screw
12	1215-516	Elbow
13	*4714-0711	Gas Line Package, 100" Length Includes (1) Bushing and (2) Flared Nuts

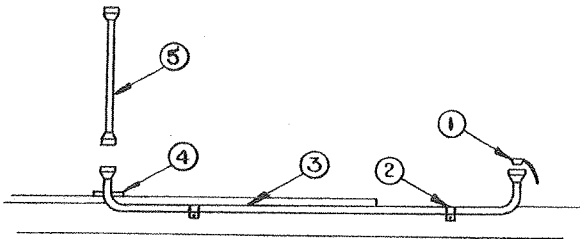
* PARTS NOT INDICATED ON DIAGRAM

GAS SYSTEM - 1810

CODE	PART NO.	DESCRIPTION
<u>INSIDE STOVE SYSTEM</u>		
1	4737-838	Plastic Cap w/Chain
2	4734A555	Cooper Gas Line 1/2" O.D. x 24 1/2"
	*1215-243	Assy Includes Flare Nuts
	*231-00-500-21	Flare Nut (For 1/2" Line)
		1/2" O.D. Copper Tubing
3	1201-873	1/2" Tube Clamp, (Rubber Coated)
	*4737-255	Tek Screw
4	4744-251	Reducer Union
5	1201-870	3/8" Tube Clamp, (Rubber Coated)
	4739-425	3/8" Tube Clamp, (Uncoated)
	*4733-411	Tek Screw
6	4733A412	Bushing
7	4730A3431	Flexible Hose Assy



* PARTS NOT INDICATED ON DIAGRAM

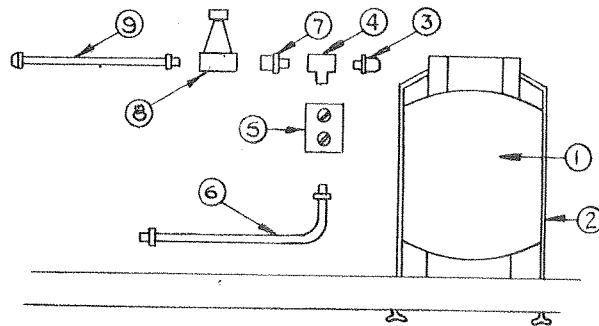


CODE	PART NO.	DESCRIPTION
<u>OUTSIDE STOVE SYSTEM</u>		
1	4733A388	Plastic Cap w/Chain
2	1201-870	3/8" Tube Clamp, (Rubber Coated)
	4739-425	3/8" Tube Clamp, (Uncoated)
	*4733-411	Tek Screw
3	*4714-0711	Gas Line Package, 100" Length (Includes (1) Bushing and (2) Flared Nuts
4	4733A412	Bushing
5	4744-1151	Flexible Hose Assy

*PARTS NOT INDICATED ON DIAGRAM

HOSE & REGULATOR ASSEMBLY - 1810

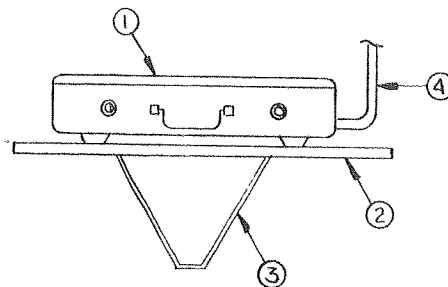
CODE	PART NO.	DESCRIPTION
1	4720G592	Gas Bottle Only
2	4733F6281	Gas Bottle Mounting Package
3	4737-930	POL Adapter
4	4737-699	Street Tee
5	4738A486	Regulator
	*4734B3781	Regulator Cover
6	4737-8871	Flexible Gas Hose
7	4739-697	Throwaway Cylinder Adapter
8		Gas Regulator
9	4744-114	Flexible Gas Hose



*PARTS NOT INDICATED ON DIAGRAM

4744-555 STOVE SHELF ASSEMBLY 1810

CODE	PART NO.	DESCRIPTION
1	4739-698	Propane Stove, (S/A 5410A700)
	*4740A189	Support Bracket
	*1103E1008	Screw
2	4744-214	Stove Shelf
	*4744-252	Caution Decal
3	4737-932	Stove Shelf Support
	*4737-933	Shelf Support Bracket
	*4744-050	Tek Screw
4		Flexible Gas Hose
	*1201-870	Clamp
	*1103E1008	Screw



* PARTS NOT INDICATED ON DIAGRAM

4744-5541 HATCH DOOR ASSEMBLY 1810 ONLY

4744-213	Hatch
4744-218	Nylatch Grommet
4744-227	Nylatch Plunger
4742-126	Hinge
1203-855	Rivet, Hinge to Hatch

Upper Galley Ass'ys (Deluxe)

1984 PARTS LIST



UPPER GALLEY ASSEMBLY - TOP, SINK & STOVE

PIONEER SERIES	GALLEY TOP	SINK	COOK TOP	STOVE BOX	STOVE COVER
1868 "JAMESTOWN LTD"	4737D1131	4710C0301	4714-4621	4739B2871	4741-6261
1869 "REDWOOD"	4737D1131	4710C0301	4714-4621	4739C2931	4741-6261
1867 "COLUMBIA"	4737D1131	4710C0301	4714-4621	4739C2931	4741-6261
1885 "NEWPORT"	4744-0401	4710C0301	4714-4621	4739C2931	4741-6261
1893 "CAPE COD"	4744-0941	4710C0301	4714-4631	4739C2931	4741A6031
DELUXE SERIES	GALLEY TOP	SINK	COOK TOP	STOVE BOX	STOVE COVER
1860 "COLONIAL"	4737J0481	4710D0301	4744-2381	4739B2871	4741-6261
1870 "ROYALE"	4744-1111	4710D0301	4744-2401	4739C2931	4741A6031
1880 "SUN VALLEY"	4744-1111	4710D0301	4744-2401	4739C2931	4741A6031
1890 "SHENANDOAH"	4744-1111	4710D0301	4744-2401	4739C2931	4741A6031
1810 "SEQUOIA"	4744-1941	4710D0301	4744-2401	4739C2931	4741A6031
1895 "WILLIAMSBURG"	4741C1591	4710D0301	4744-2401	4739C2931	4741A6031

NOTE: Refer to Page 19 For Breakdown of Stove Parts.

Stainless Steel Sink & Brushed Chrome Cooktop Standard on Pioneer Series.

"Champagne" Porcelain Sink & Cooktop Standard on Deluxe Series.

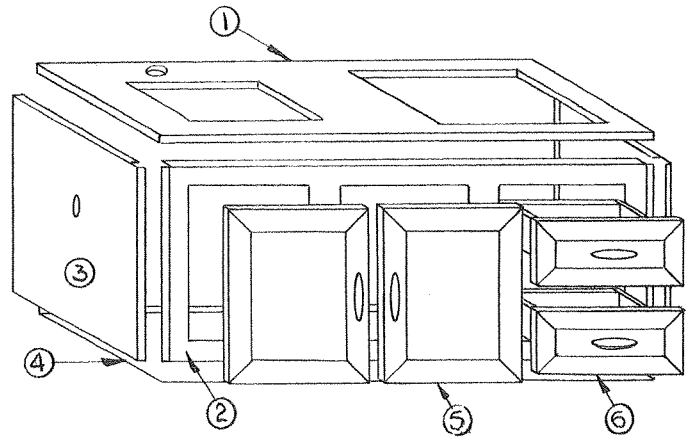
Flip-Up Galley on Pioneer Series, Swing Level Galley on Deluxe Series.

Refer to Page 27 For Details of Swing Level Galley Lift Bar Assembly.

All Stove Cover Assemblies Are "Champagne" Porcelain.

UPPER GALLEY ASSEMBLIES - DELUXE SERIES (Refer To Chart for Top, Sink & Stove Components)

- 4744-515 Upper Galley Assy 1860
- 4744-535 Upper Galley Assy 1870, 1880, 1890
- 4744-525 Upper Galley Assy 1810
- 4741C544 Upper Galley Assy 1895



CODE	PART NO.	DESCRIPTION
1	Refer to Upper Galley Assembly Chart	
	*1103E1008	Screw, Top to Cabinet
2	4744-134	Galley Front, 1860
	4744-071	Galley Front, 1870, 1880, 1890, 1895
	4744-189	Galley Front, 1810
	*4733-060	Rivet
3	4744-070	Galley Side, Left & Right
4	4744-141	Upper Galley Bottom, 1860
	4744-072	Upper Galley Bottom, 1870, 1880, 1890, 1895
	4744-196	Upper Galley Bottom, 1810
	*4733-060	Rivet
	*406-00-001-53	Edge Molding (Sold per Foot)
	*435-00-000-29	Putty Tape, Under Sink (Sold per Foot)
	*406-47-000-89	Slide, Under Front Edge & Sides (Sold per Foot)

CODE	PART NO.	DESCRIPTION
5	4741B5251	Door Assy (All)
	*1203-895	Rivet, Door to Cabinet
6	4744-507	Drawer Assy, 1860
	4744-506	Drawer Assy, All Others
7	*4744-509	Upper Galley Angle Assy (To Attach Lift Bar)
8	*1203-925	Accordion Rivet (Drawer Slides)
	*4739-419	Vinyl Cap
	*4734-396	Warning Decal (Galley Top)
	*4744-247	Galley Decal (Galley Front)

* PARTS NOT INDICATED ON DIAGRAM

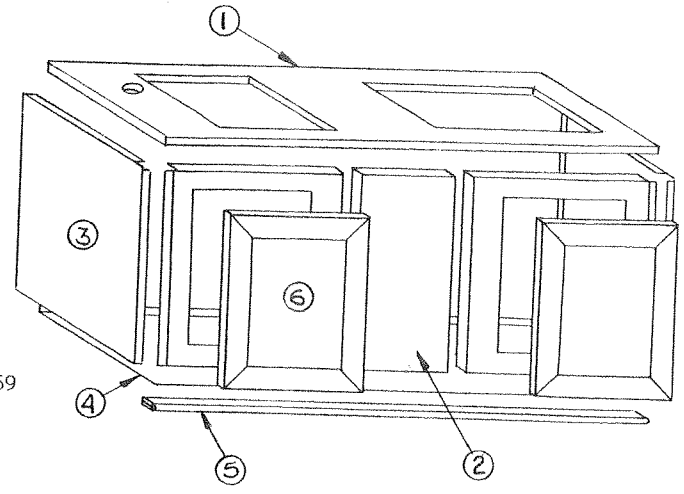
1984 PARTS LIST

Upper Galley Ass'y's
(Pioneer)
Lower Galley Ass'y's
(Pioneer)

UPPER GALLEY ASSEMBLIES - PIONEER SERIES
(Refer to Chart for Top, Sink & Stove Components)

- 4739A658 Upper Galley Ass'y 1867, 1868, 1869
- 4744-544 Upper Galley Ass'y 1885
- 4744-548 Upper Galley Ass'y 1893

CODE	PART NO.	DESCRIPTION
1	Refer to Upper Galley Assembly Chart	
	*1103E1008	Screw, Top To Cabinet
2	4741A0561	Galley Front, Left & Right - All
	4744-043	Cabinet Front Spacer, 1885
	4744-097	Cabinet Front Spacer, 1893
	*4733-060	Rivet
3	4744-0511	Galley Side, Left & Right
4	4737D254	Upper Galley Bottom 1867, 1868, 1869
	4744-042	Upper Galley Bottom 1885
	4744-092	Upper Galley Bottom 1893
	*4733-060	Rivet
	*406-00-001-53	Edge Molding (Sold per Foot)
5	4737A106	Galley Hinge, 1867, 1868, 1869
	4744-041	Galley Hinge, 1885
	4744-096	Galley Hinge, 1893
	*4733-060	Rivet
6	4737E5171	Door Assy (All)
	*1203-895	Rivet, Door to Cabinet
7	*4734A0841	Towel Rack, 22 1/4" (All)
	*4734A0991	Towel Rack, 14 1/2" (1893)
	*1016B1018	Bolt
	*1201B695	Nut



CODE	PART NO.	DESCRIPTION
9	*4734-396	Warning Decal (Right of Stove)
	*4733-299	Galley Decal (Bottom of Galley)
10	*4748-062	Strike
	*1103E1008	Screw
	*1226D153	Stud
	*1203-867	Rivet, Stud to Cooktop
11	*4739-419	Vinyl Screw Cover, (Btm. of Stove)

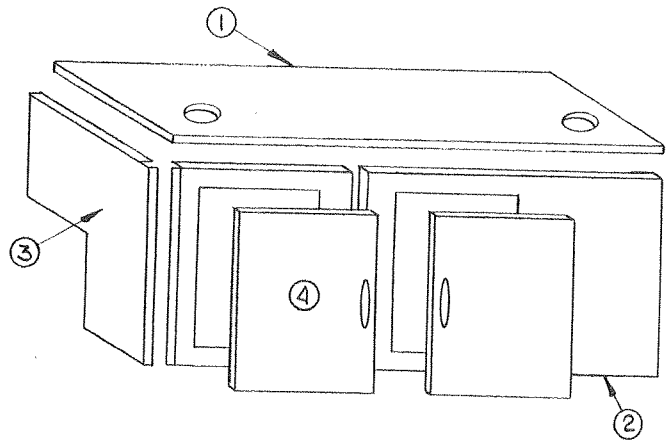
* PARTS NOT INDICATED ON DIAGRAM

LOWER GALLEY ASSEMBLIES - PIONEER SERIES

- 4741A608 Lower Galley Ass'y 1867, 1868, 1869
- 4744-508 Lower Galley Ass'y 1885
- 4739C526 Lower Galley Ass'y 1893

CODE	PART NO.	DESCRIPTION
1	4739C1951	Lower Galley Top 1867, 1868, 1869
	4744-0191	Lower Galley Top 1885
	4739C0121	Lower Galley Top 1893
	*1103B0806	Screw, Top to Cabinet
2	4741-957	Galley Front, Left (& Right-1893)
	4741A036	Galley Front, Right 1867, 1868, 1869, 1885
	4739C011	Galley Front, Center 1893
	4744-018	Cabinet Front Spacer, 1885 Only
	*4733-060	Rivet
3	4741A038	Galley Side, Left 1867, 1868, 1869, 1885
	4741A167	Galley Side, Left 1893
	*4734-435	Bushing
	4737A239	Galley Side Right 1893
4	4739B5321	Door Ass'y (All)
	*1203-895	Rivet, Door to Cabinet

* PARTS NOT INDICATED ON DIAGRAM



Refer to Page 19 for Details of Door Assemblies

**Lower Galley Ass'ys
(Deluxe)**

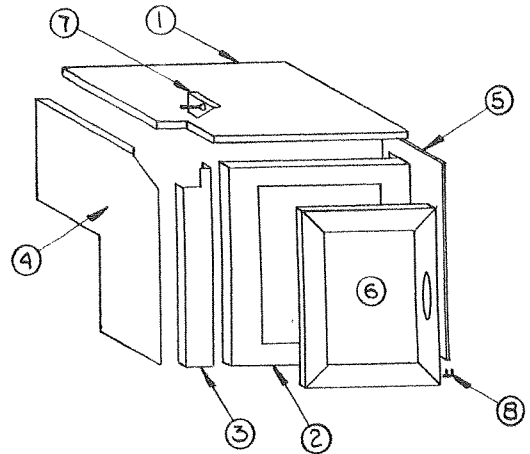
**1984
PARTS LIST**



LOWER GALLEY ASS'YS DELUXE		
	SHORT (LEFT)	LONG (RIGHT)
1860 "COLONIAL"	4744-539	4744-530
1870 "ROYALE"	4744-539	4744-540
1880 "SUN VALLEY"	4744-534	4744-527
1890 "SHENANDOAH"	4744-543	4744-545
1810 "SEQUOIA"	4744-560	4744-528
1895 "WILLIAMSBURG"		

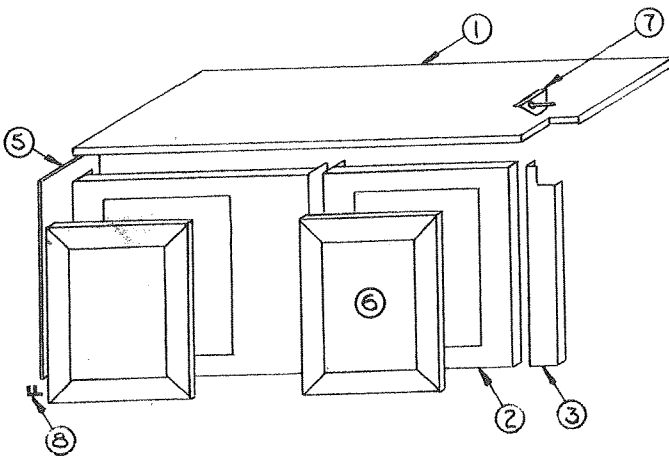
LOWER GALLEY ASSEMBLY SHORT (LEFT) DETAILS

CODE	PART NO.	DESCRIPTION
1	4744-0511	Cabinet Top, 1860, 1870, 1880
	4744-1461	Cabinet Top, 1890, 1895
	4744-1911	Cabinet Top, 1810
	*1103B0806	Screw, Top to Cabinet
2	4744-091	Cabinet Front, 1860, 1870, 1880 1890, 1895
	4744-182	Cabinet Front, 1810
	*4733-060	Rivet
	3	4744-112
4	4744-092	Cabinet Side (Left) 1860, 1870 1880, 1890
	4744-242	Cabinet Side (Left) 1895
	*4734-435	Bushing
	5	4744-059
6	*4734-186	Rivet
	*1202B026	Washer
	7	4741B5181
7	*1203-895	Rivet, Door to Cabinet
	4744-533	Galley Bracket, (Left) All
	*4744-085	Cabinet Filler
8	*1203-895	Rivet
	8	4744-127
9	*4741B041	Cabinet Support 1860, 1870, 1880



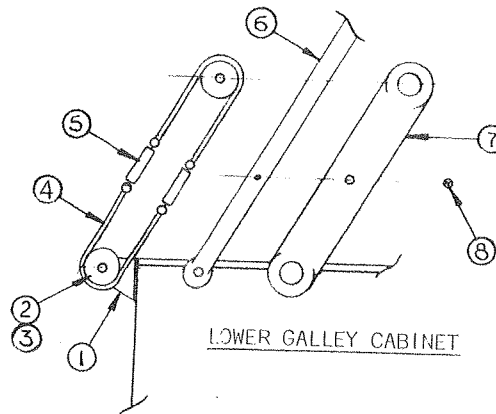
LOWER GALLEY ASSEMBLY LONG (RIGHT) DETAILS

CODE	PART NO.	DESCRIPTION
1	4744-1351	Cabinet Top, 1860
	4744-0521	Cabinet Top, 1870, 1880
	4744-1451	Cabinet Top, 1890, 1895
	4744-1921	Cabinet Top, 1810
	*1103B0806	Screw, Top to Cabinet
2	4744-138	Cabinet Front, 1860
	4744-091	Cabinet Front Right 1870, 1880 1890, 1895
	4741A036	Cabinet Front Left 1870, 1880 1890, 1810 1895
	*4733-060	Rivet
3	4744-113	Cabinet Spacer (Right) All
4	*4741B184	Cabinet Side (Right) 1895 Only
	5	4744-059
6	*4734-186	Rivet
	*1202B026	Washer
	7	4741B5181
7	*1203-895	Rivet, Door to Cabinet
	4744-532	Galley Bracket, (Right) All
	*4744-085	Cabinet Filler
8	*1203-895	Rivet
	8	4744-127
9	*4741B041	Cabinet Support 1860, 1870, 1880



UPPER GALLEY LIFT BAR ASSEMBLY - DELUXE SERIES

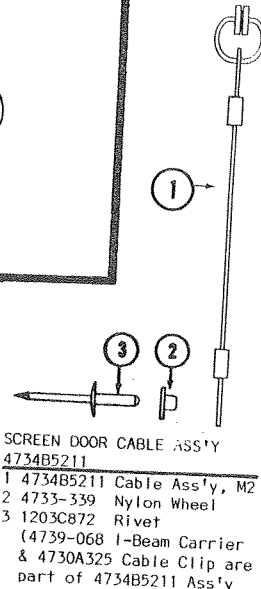
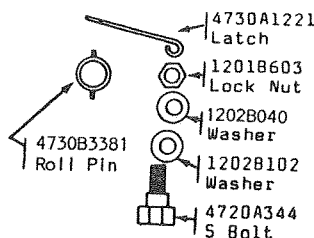
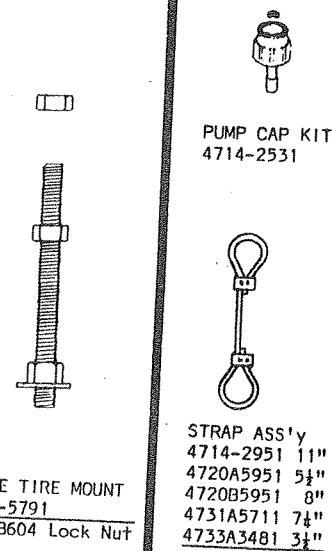
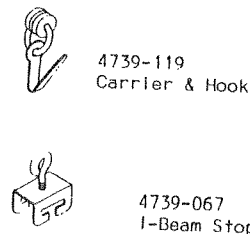
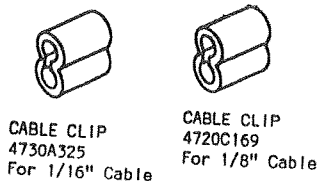
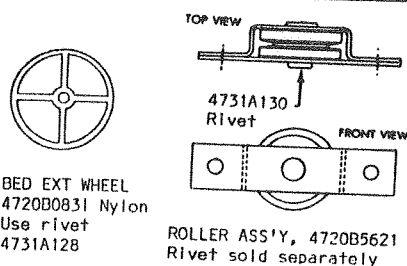
CODE	PART NO.	DESCRIPTION
1	4744-533	Galley Bracket (Left)
	4744-532	Galley Bracket (Right)
2	4737-923	Sprocket, x4
3	4744-090	Bushing
	*4744-254	Nut
4	4744-068	Chain, x4
5	4744A069	Turnbuckle
6	4744-086	Lift Bar, 1860
	4744-087	Lift Bar, 1810
	4744-088	Lift Bar, 1870, 1880, 1890, 1895
7	4744-081	Chain Cover (Left)
	4744-147	Chain Cover (Right)
8	4741A936	Screw



*Parts Not Identified On Diagram

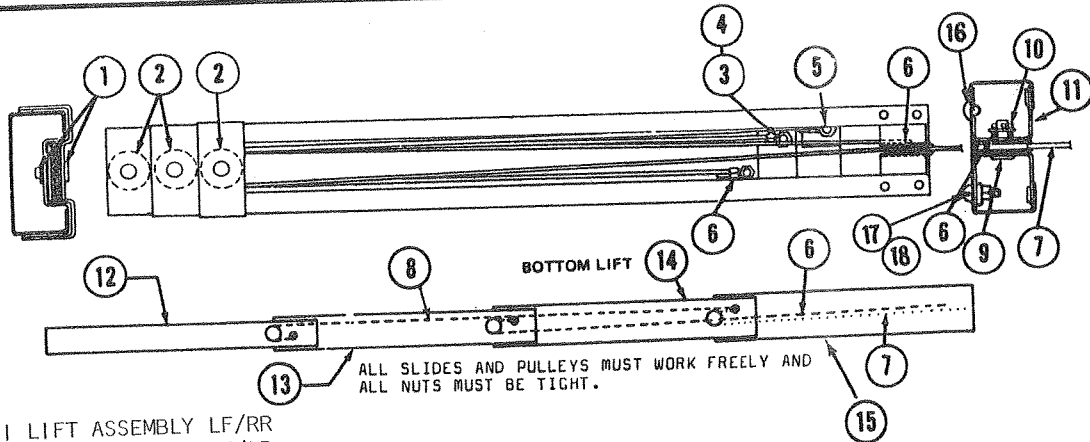
TOUCH UP PAINT -- SPRAY CANS, 16 OZ. TOUCH UP PAINT -- FOR SPRAY GUNS, QUARTS LUBRICANTS, SEALANTS, ETC.

8-245	Harvet Beige Enamel	4714-0081	Terra Cotta Rust	8C3121	Penetrating Lubricant
8-246	Kansas Beige Enamel	4714-0091	Chocolate Brown Enamel	4714-065	Ten-x Sealant
8A234	Tobacco Brown Enamel	4714-0111	Tobacco Brown Enamel	4714-217	Dry Clean Pads
8A239	Sandalwood Beige Enamel	4714-0171	Mount Vernon Cream Enamel	4714A2251	Fabric Cement
8A241	Terra Cotta Rust Enamel	4714-2631	Harvest Beige Enamel (Dark)	4728-1651	Water Repellant
8A243	Chocolate Brown Enamel	4714-2641	Kansas Beige Enamel (Light)	4737A283	Cashmere Caulk
8A244	Colonial White Enamel			4737B283	Colonial White Caulk
8B240	Mount Vernon Cream Enamel				



Lift Ass'ys
Whiffletree Ass'ys

1984 PARTS LIST



4739-6801 LIFT ASSEMBLY LF/RR
4733C5801 LIFT ASSEMBLY RF/LR

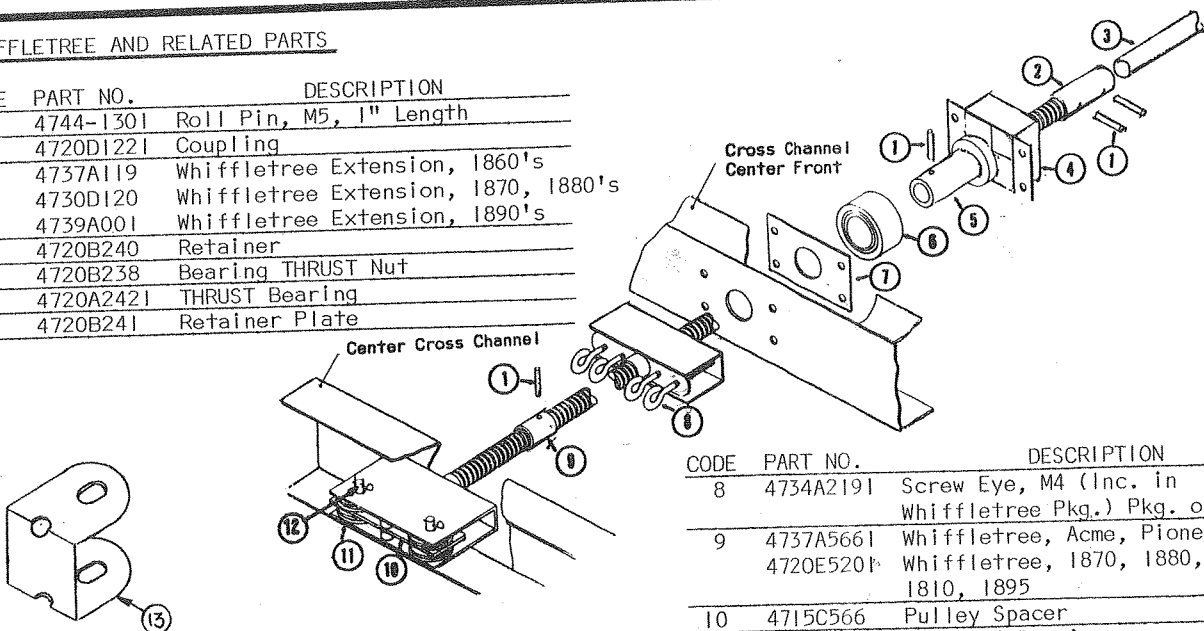
CODE	PART NO.	DESCRIPTION
1	4730F2491	Pin & Ring, M3 (Contains 4730F249 Pin & 4730B098 Retaining Ring)
	*4730B0981	Retaining Ring Only, M12
	*4730F249	Pin Only
2	4715A537	Steel Pulley Ass'y, 5/16" Note: Use 4714-537 on 300 & 400 Series Trailers.
3	4741-921	Lock Nut, X2
4	1202B263	Spacer, X2
5	4737-817	Bolt, 1/4"-20 x 1"
	4741-921	Flange Nut, 1/4"-20
6	4731-5691	Cable Ass'y, 51"
7	4733B5901	Cable Ass'y, Long 144"
8	4731-5691	Cable Ass'y, 51"
9	4720C157	Lift Pin
10	1204B108	Cotter Pin

CODE	PART NO.	DESCRIPTION
11	4731B580	Pulley Bracket Ass'y
12	TOP LIFT ASS'Y	4739-6741 (4739-6801, LF/RR) 4720C5181 (4733C5801, RF/LR)
13	CENTER LIFT ASS'Y	4739-6731 (4739-6801, LF/RR) 4720C5171 (4733C5801, RF/LR)
14	BOTTOM LIFT ASS'Y	4739-6751 (4739-6801, LF/RR) 4720D5161 (4733C5801, RF/LR)
15	4720F5151	Stationary Lift Ass'y
16	1203C872	Pop Rivet, X3
17	1006B1610	Machine Screw, 1/4"-20
18	4714-921	1/4-20 Flange Nut

NOTE: ALL CABLE ASSEMBLIES COME WITH CABLE CLIPS.

WHIFFLETREE AND RELATED PARTS

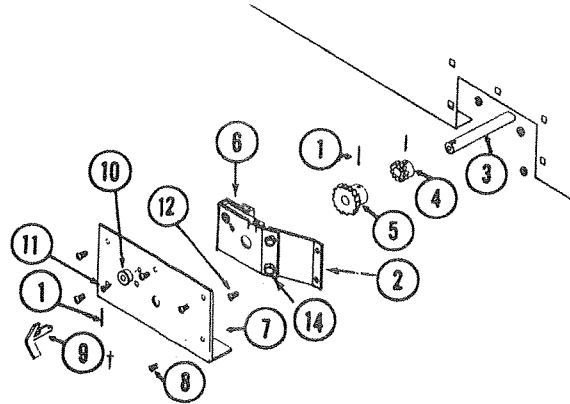
CODE	PART NO.	DESCRIPTION
1	4744-1301	Roll Pin, M5, 1" Length
2	4720D1221	Coupling
3	4737A119	Whiffletree Extension, 1860's
	4730D120	Whiffletree Extension, 1870, 1880's
	4739A001	Whiffletree Extension, 1890's
4	4720B240	Retainer
5	4720B238	Bearing THRUST Nut
6	4720A2421	THRUST Bearing
7	4720B241	Retainer Plate



CODE	PART NO.	DESCRIPTION
8	4734A2191	Screw Eye, M4 (Inc. in Whiffletree Pkg.) Pkg. of 4
9	4737A5661	Whiffletree, Acme, Pioneer Series
	4720E5201	Whiffletree, 1870, 1880, 1890, 1810, 1895
10	4715C566	Pulley Spacer
11	4715A537	Pulley & Bearing
12	4720G156	Long Pin
	1204B123	Cotter Pin
13	4744-174	Cable Retainer

RATCHET ASSEMBLY

CODE	PART NO.	DESCRIPTION
1	4744-130	Roll Pin, M5, 1" Length
2	+*4741-838	Leg Brace Ass'y
3	4737A119	Whiffletree Extension, 1860's
	4720D120	Whiffletree Extension, 1870, 1880's
	4739A001	Whiffletree Extension, 1890's
4	4730B384	Sprocket, Small Steel
5	4737-450	Ratchet Gear Not in Ratchet Pkg.
6	+*4737B675	Ratchet Bracket
7	4715F123	Filler Plate (Deluxe Series)
	NOTE: 21" of 435-00-000-16 Foam Tape is Around Perimeter of Filler Plate	
8	1103E1008	Screw, X5 (Holds Filler Plate)
9	+*4737-4671	Butterfly Switch 7 Plastic Cap
	+*4737-469	Cap Only for Butterfly Switch
10	4724-260	Stop Button (Recessed Bumper)
11	1103B1012	*Screw (#10-3/4") Pan Recessed Hd.
12	4733-411	Tek Screw (#10-1/2")
13	*4720B088	Bearing, Front Cross Channel (Used on 1867, 1868, 1869, 1885, 1893
	*4741B840	Bearing, Front Cross Channel (Used On All Other Models)
14	+*4731-387	Screw
	+*1201B603	Nut

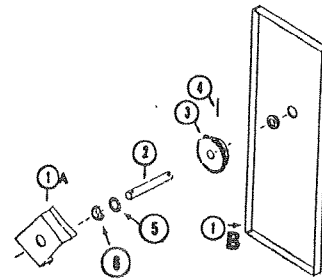


CODE	PART NO.	DESCRIPTION
15	*4739-115	Bushing Plate, 1867, 1868, 1969, 1885, 1893
	*4733-411	Tek Screw, X2 (Used W/4720B088 Bearing)
16	*4730E318	Open Decal
17	*4739-117	Switching Decal

*PARTS NOT INDICATED ON DIAGRAM
+IN 4714B5881 RATCHET PACKAGE

CRANK AND SPROCKET ASSEMBLY

CODE	PART NO.	DESCRIPTION
1	4741C5008	Crank & Sprocket Ass'y 1860
	4741C500	Crank & Sprocket Ass'y 1870, 1880
	4720G580	Crank & Sprocket Ass'y 1890, 1810, 1895
	*4731-387	Hex Head Bolt
	*1201B603	Hex Nut
	*1202B043	Washer
	1A & 1B are welded or riveted together with bushings pressed in. 1A & 1B are Aluminum in the 4741C500 Assembly and Steel in the others.	
	All of the following parts are included in Code No. 1	
2	4730C340	Sprocket Shaft
3	4730B384	Sprocket (12 Tooth) 1860
	4730B385	Sprocket (24 Tooth) All Others



CODE	PART NO.	DESCRIPTION
4	4720B1481	Roll Pin, M5
5	4730B382	Bronze Bearing
6	1202-282	Washer

*PARTS NOT INDICATED ON DIAGRAM

PARTS PACKAGES

- 4739B6591 All Models Except 1810 & 1895
- 4744-5621 Model 1810
- 4741B5411 Model 1895

OTHER PACKAGES

- 4733C6701 Auto Extension
- 4741A5791 Spare Tire Mount (Deluxe)
- 4741-6561 Spare Tire Mount (Pioneer)

KITS

- 4714A0461 Faucet Repair Kit
- 4714A253 Pump Cap Kit
- 4714-261 ABS Repair Kit (Kansas Beige)
- 4714-262 ABS Repair Kit (Karvest Beige)

Screen Door Ass'y Table Ass'y

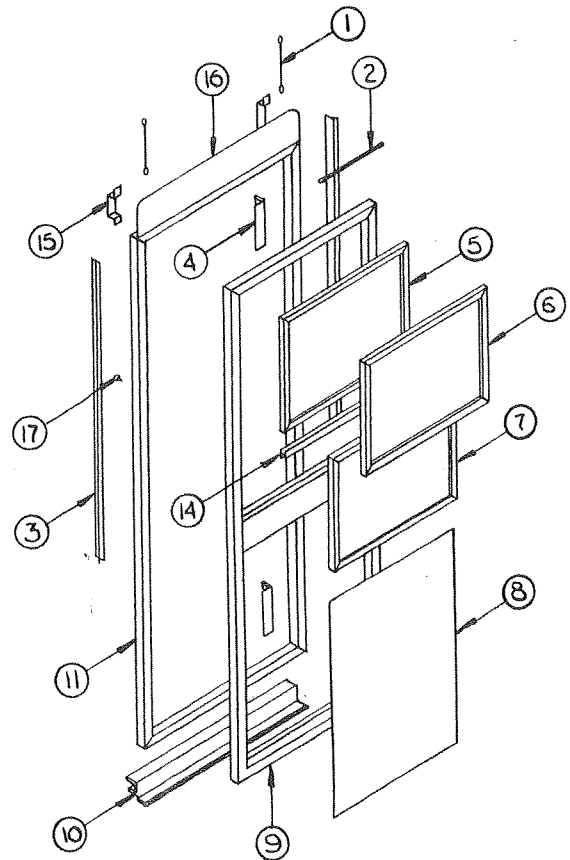
1984 PARTS LIST



DELUXE SERIES

4710U5051 SCREEN DOOR ASS'Y
4710U5091 SCREEN DOOR JAMB ASS'Y

CODE	PART NO.	DESCRIPTION
1	4734B5211	Cable Ass'y, M2
2	4731A8201	Screen Door Spring Ass'y
3	4710F4101	Door Seal, Vertical X2, 46" Lg.
4	4720D3601	Screen Door Hinge Ass'y
	*4741-986	Rivet, X3 Each Hinge
5	4710A5061	Screen Door Sliding Panel
6	4710B5011	Screen Dr. Screen Window Ass'y
7	4710A5041	Fixed Window Ass'y
8	4741E0351	Kick Plate
9	4710U5051	Screen Door Ass'y
10	4741A622	Screen Door Support Ass'y
11	4710U5091	Screen Door Jamb Ass'y
12	4733C4791	Latch Ass'y
	*1202B026	Washer
	*4737-321	White Rubber Button
13	4710C411	Strike, (In 4733C4791 Latch Pkg)
	4741-986	Rivet
14	406-00-000-84	Weather Strip, 18" Long
15	4741-865	Sash Lock, X2
	4734A186	Rivet, X4
16	4741A883	Screen Door Top Bracket
	4734A186	Rivet, X6
17	4730A354	Stud



*PARTS NOT INDICATED ON DIAGRAM

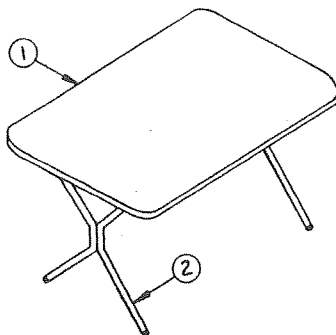
NOTE: FOR PIONEER SERIES (UNPAINTED) DOOR & COMPONENT PARTS REFER TO THE 1982 PARTS CATALOG, BOOK 1, PAGE 33.

4710R5051 REPLACEMENT DOOR
Except: 4737A8771 KICK PLATE
4710R5091 REPLACEMENT JAMB

SCREEN DOOR LATCH ASS'Y

Part No. 4733C4791

Note: 1202B026 Washer no longer in this Package.



DINETTE TABLE ASSEMBLY

4737D5011	1810, 1895
4739C5191	1890
4741A5171	1860, 1880, 1870
4744-5011	1885
4744-5311	1893 (Front)
4744-5591	1867, 1868, 1869, 1893 (Rear)

CODE	PART NO.	DESCRIPTION
1	4737C1511	Table Top 1810, 1895
	4739C1031	Table Top 1890
	4741A0451	Table Top 1860, 1880, 1870
	4744-0111	Table Top 1885
	4744-0211	Table Top 1893 (Front)
	4744-2311	Table Top 1867, 1868, 1869, 1893 (Rear)
2	4734A6251	Dinette Table Leg Ass'y Includes Hardware to Install Legs (M2) to Table Top
3	*4720B5951	Table Strap Ass'y, 8" Length
4	*4734A0841	Towel Rack, 22 1/4"
	*1103E1008	Screw, x4 Rack to Top, 1860, 1880, 1870
	*4737-848	Screw, x4 Rack to Top, All Other
5	*4720A1501	Lock Brace Package
	*4737-847	Screw, x4 Brace To Top
6	*4720B392	Table Leg Cap, x2 Each Leg Ass'y

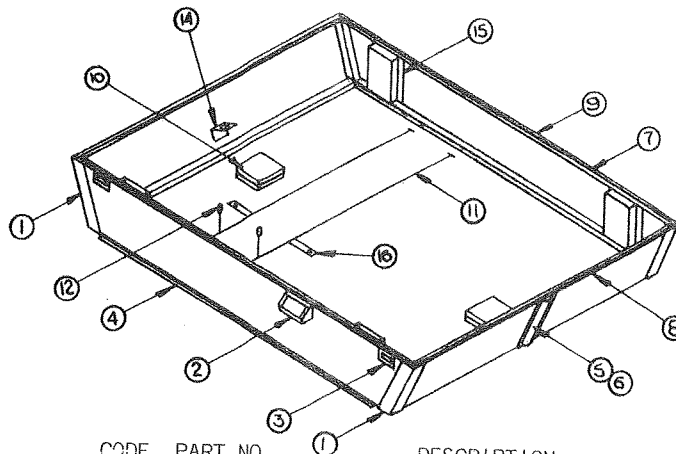
* PARTS NOT IDENTIFIED ON DIAGRAM

PIONEER SERIES

- 4739B6641 Top Assembly 1867, 1868, 1869
- 4744-5231 Top Assembly 1885
- 4744-5241 Top Assembly 1893

DELUXE SERIES

- 4737G6241 Top Assembly 1860
- 4720V5241 Top Assembly 1870, 1880
- 4739F5241 Top Assembly 1890, 1810, 1895



CODE	PART NO.	DESCRIPTION
1		<u>PIONEER SERIES</u>
	4741A1981	Top Corner, RR/LF
	4741A1991	Top Corner, LR/RF
		<u>DELUXE SERIES</u>
	4741B1981	Top Corner, RR/LF
	4741B1991	Top Corner, LR/RF
	*4741A936	Screw, x6 Per Corner
2	4739B5731	Outside Light, (Complete)
	4714-3361	Light Lens
	*4741A936	Screw, x2
3	4715B2091	Strike
	*4744-246	Screw
	*1201B695	Nut
4		<u>PIONEER SERIES</u>
	4728A191	Canopy Track 1867, 1868, 1869
	4728A207	Canopy Track 1885
	4728A208	Canopy Track 1893
	*4741A936	Screw
		<u>DELUXE SERIES</u>
	4728B191	Canopy Track 1860
	4728B207	Canopy Track 1870, 1880
	4728B208	Canopy Track 1890, 1810, 1895
	*4741B936	Screw
	*435-00-000-75	1/32" x 1" Live Rubber Tape
5		<u>PIONEER SERIES</u>
	4741-303	Center Seam Ext. 7' Models
	4741-312	Center Seam Ext. 9' Models
	4741-231	Center Seam Ext. 11' Models
		<u>DELUXE SERIES</u>
	4741A303	Center Seam Ext. 7' Models
	4741A312	Center Seam Ext. 9' Models
	4741A231	Center Seam Ext. 11' Models
	*435-00-000-58	1/4" x 1" Saturated Foam Tape
	*435-00-000-75	1/32" x 1" Live Rubber Tape
	*4741-350	Hex Head Screw
6	406-00-000-96	Center Seam Vinyl
7	406-00-000-99	Top Seal, Black
8		<u>PIONEER SERIES</u>
	4741A213	Seal Ext. Front & Rear
		<u>DELUXE SERIES</u>
	4741B213	Seal Ext. Front & Rear
9		<u>PIONEER SERIES</u>
	4741A268	Seal Ext. Side 7' Models
	4741A314	Seal Ext. Side 9' Models
	4741A188	Seal Ext. Side 11' Models
		<u>DELUXE SERIES</u>
	4741B268	Seal Ext. Side 7' Models
	4741B314	Seal Ext. Side 9' Models
	4741B188	Seal Ext. Side 11' Models
	*4741A936	Screw

CODE	PART NO.	DESCRIPTION
10	4737D5911	OverHead Dome Light Assy
	*4714C0891	Top Light Lens
	*1103B1016	Screw
11	4733D471	Screen Door Track, M2
	*4741-965	Rivet
12	4734B5211	Slide Cable Assy
	*1203-925	Accordion Rivet, Plastic (Cable Retainer)
13	*4741A884	Screen Door Retaining Bracket
	*4741B542	Screen Door Storage Bracket
	*4741A936	Screw
	*406-00-001-53	Edge Molding
14	4741B113	Canvas Support Bracket
	*4741A936	Screw
	*406-00-001-53	Edge Molding
15	4741B354	Lift Cover CSF & RSR
	4741C128	Lift Cover CSR & RSF (7' & 9" Models)
	4744-025	Lift Cover CSF & RSR
	4744-026	Lift Cover CSR & RSF (11' Models - Wood Grained)
16	4723A5061	Screen Door Safety Strap
	*4730A354	Stud
17	4737-321	Rubber Button (White)

* PARTS NOT INDICATED ON DIAGRAM

NOTE: The 4739F5241 Top Can Be Used on 1895 With Bathroom And Shower Curtain Tracks From Old Top Assembly Or With New Parts As Listed in "A", "B" And "C" Below.

PARTS NOT SHOWN FOR 1895 TOP ASSEMBLY

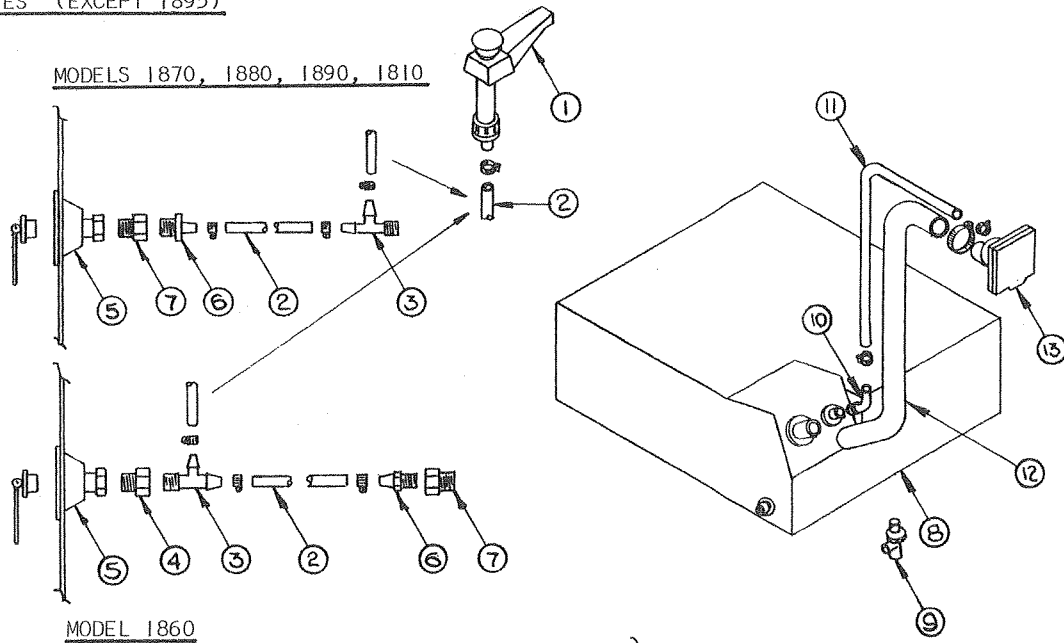
A	*4741A426	"I"-Beam Shower Curtain Track
	*4739-120	Mounting Bracket x9
	*4741A936	Screw, x2 Each Bracket
B	*4739B121	"I"-Beam Curtain Track
	*4739-120	Mounting Bracket, x6
	*4741A936	Screw, x2 Each Bracket
C	*4737-843	Shade Curtain Brackets
	*4741-965	Rivet
	*4724-728	Shower Curtain Tie
	*4730A354	Stud
	*1202B269	Washer
	*4741A936	Screw

Water Systems

1984 PARTS LIST



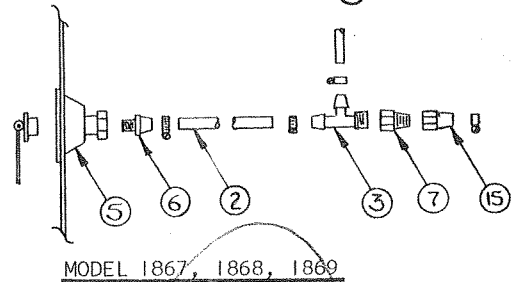
DELUXE SERIES (EXCEPT 1895)



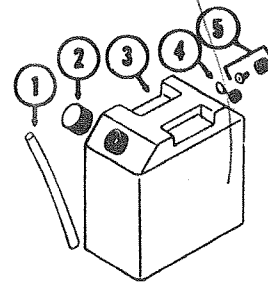
MODEL 1860

CODE	PART NO.	DESCRIPTION
1	4734-0161	Faucet
	*4714A0461	Faucet Repair Kit
	*4714-253	Bottom Cap, Gasket & Valve Disc
2	4714-038	High Pressure Hose - Cold Water 3/8" Reinforced, Sold Per Foot
3	4734-2321	Running Tee
4	4741-959	Male Connector, (Not Used On 1870, 1880, 1890, 1810, 1895)
5	4732D1521	City Water Fill
	*4741-350	Screw
	*4714-0481	Cap & Strap
6	4732-4561	Plastic Fitting
7	4741-955	Check Valve
	*4734-4641	Filter Screen
8	4733G1411	Water Tank
	*4734B320	Tank Bracket
9	4715E4381	Spigot (Drain)
10	1218-351	Elbow
11	4733B1201	Vent Hose, 1/2" O.D. - Clear
12	4731F1081	Water Fill Hose, 1" I.D.
13	4731C1711	Recessed Fill Spout
	4735C098	Water Decal
	*4741-350	Screw
	*4744-128	Barbed Nipple (1 3/8" Barb)
	*4744-129	Barbed Connector (3/8" Barb)
14	*4731-305	Adjustable Hose Clamp, 5/8"
	4715-4501	Adjustable Hose Clamp, 1 1/4"

*PARTS NOT IDENTIFIED ON DIAGRAM



MODEL 1867, 1868, 1869

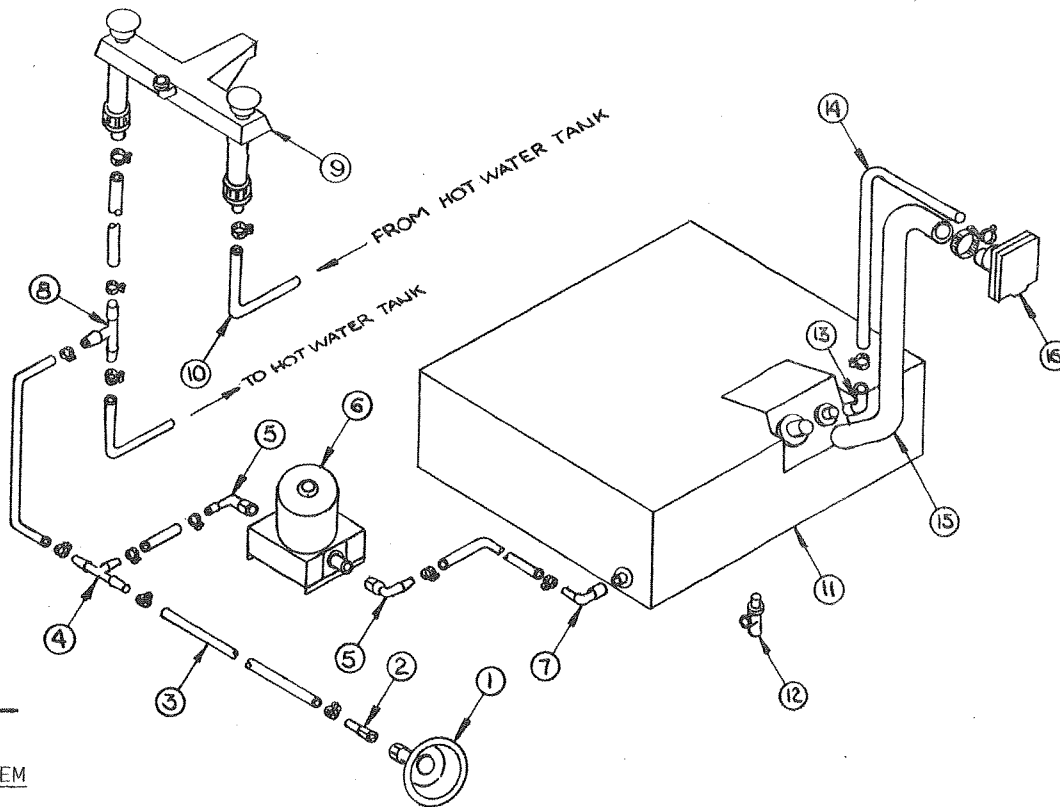


PIONEER SERIES

4735-2131 WATER BOTTLE 1867, 1868, 1869, 1885, 1893

CODE	PART NO.	DESCRIPTION
1	4714A0671	Suction Stem
2	4714-0231	Large White Cap
3	4735-2131	Water Bottle, Complete
	*4735C098	Water Decal
4	4714-0221	Small Cap With Tie-On
5	4714-024	Barb Stem & Collar

*PARTS NOT IDENTIFIED ON DIAGRAM



MODEL 1895

WATER SYSTEM

CODE	PART NO.	DESCRIPTION
1	4732D1521	City Water Fill
	*4741-350	Screw
	*4714-0481	Cap & Strap
2	4732-4561	Plastic Fitting
3	4714-038	High Pressure Hose-Cold Water 3/8" Reinforced, Sold Per Foot
4	1218-150	Tee
5	4741-906	Swivel Elbow
6	4741A5571	Water Pump
7	1218-351	Elbow
	*4737A4641	Filter Screen
8	4741-238	Tee
9	4744-1481	Faucet

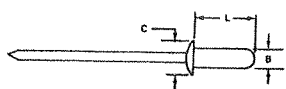
CODE	PART NO.	DESCRIPTION
10	4714-338	High Pressure Hose-Hot Water 3/8" Reinforced, Sold Per Foot
11	4741-3451	Water Tank, 18 Gallon
	*4741-441	Tank & Bracket
12	4715E4381	Spigot, (Drain)
13	1218-351	Elbow
14	4733B1201	Vent Hose, 1/2 O.D. - Clear
15	4731F1081	Water Fill Hose, 1" I.D.
16	4731C1711	Recessed Fill Spout
	*4735C098	Water Decal
17	*4731-305	Adjustable Hose Clamp, 5/8"
	*4715-4501	Adjustable Hose Clamp, 1 1/4"

*PARTS NOT IDENTIFIED ON DIAGRAM.

NOTE: REFER TO PAGE 14 FOR RIGID
PLUMBING COMPONENTS

Rivets

1984 PARTS LIST



Truss Head

Countersunk

Dome Head

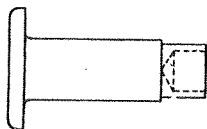
"POP RIVETS" (Equivalent May Be Purchased Locally From Hardware Store)

RIVET NO.	"B" BODY DIA.	"C" HEAD DIA.	"L" LENGTH	TYPE	TYPICAL USAGE
1203-867	1/8	1/4	1/2	Alum.	Upper Galley, Stud To Cooktop, Latch To Stove Cover
1203-895	1/8	1/4	3/8	Black	Doors To Cabinets, Latch To Latch Support
1203-863	5/32	1/4	1/2	Alum.	Screen Door Assembly, Bed Extensions
4741-986	5/32	1/4	1/2	Beige	Curtain Track To Body Rail, Screen Door Hinge & Strike
1203-864	3/16	3/8	1/2	Alum.	Rail To Body Panel, Chest Of Drawer Cabinet, Corner Bulkheads, Bed Assemblies
1203-865	3/16	3/8	3/4	Alum.	Tail Light Ground, Drawer Slides, Bed Assemblies, Screen Door, Wheel Well
1203-874	3/16	3/8	3/4	Alum.	Lashing Hooks, Tail Light Mounting, Marker Lights, Bed Assemblies, Screen Door
1203-883	3/16	5/8	5/8	Alum.	Chest Of Drawer Cabinet, Screen Door Cable
1203-884	3/16	5/8	15/16	Alum.	Bed Support Clips, Rail To Bulkhead, Wheel Well
1203-886	3/16	5/8	15/16	Brown	Wall Panel To Tire Mount
1203-897	3/16	3/8	1/2	Alum.	Access Door Bulkhead (Countersunk)
1203C872	3/16	5/8	11/16	Steel	Swing Arm Assembly, Lift Assembly, Rail To Support Plate
1203C875	3/16	3/8	7/16	Steel	Corner Bulkhead To Frame
4733-060	3/16	3/8	1/2	Brown	Access Doors, Latch Support To Cabinet, Support Arm To Seat, Upper Galley Assemblies, Body Corners To Panels
4733A060	3/16	3/8	1/2	Beige	Access Door Cap, Corner Miter Covers
4734-186	3/16	3/8	3/4	Brown	Fire Extinguisher Holder, Seat Frame Assemblies, Converter Panel To Wall Panel
4734A186	3/16	3/8	3/4	Beige	Rail To Body Panel, Sash Lock & Bracket
4741-965	3/16	7/16	7/8	Alum.	Screen Door Track, Body Panel To Frame, Gas Line Clamp
4741-966	3/16	7/16	1 1/4	Alum.	Gas Line Clamp

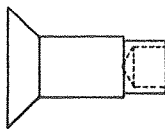
EXPANSION RIVETS

4741-965	3/16	7/16	7/8	Alum.	Screen Door Track, Body Panels To Frame, Gas Line Clamp
4741-966	3/16	7/16	1 1/4	Alum.	Gas Line Clamp

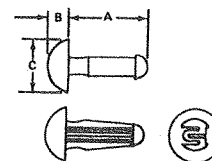
NOTE: This Table Reflects The General Usage Of The Rivets Used In Our Trailers. It Does Not Include All Rivets In The Parts Catalog. Please Refer To Individual Assemblies To Find Any Specific Rivet That Is Needed.



4731A130 Rivet, (Steel)
Two small rollers on
Bed Extension



4731A128 Rivet. On Large
Plastic Wheel on Bed Ext.



1203-925 Accordion Rivet



1984 PARTS LIST

Accessories

ACCESSORIES & REPAIR PARTS (cont.)

CONVERTER, 4737A8281 (12VDC/5.5AMP)

COOLER

- 5283-703 40 Qt., Red/White, Chest Type
- 4739A279 48 Qt., Brown/White, Chest Type
- 4741-999 68 Qt., Brown/Beige, "Convertible"

CURTAINS & DRAPES

*Refer to Page 16 & 17

ELECTRIC BRAKES, 4714D2011 Fits 1" Straight Spindle
(1867, 1868, 1869 & 1860)
4714B2011 Fits 1 1/16" Straight Spindle
(All Other Models)

*Refer to Page for Component Detail

FOREIGN CAR WIRING KIT, 4739-6171

4739-4891 Amber Lens

FURNACE, 12,000 BTU, Coleman ST-200, 4737E6921

4737J6741 Installation Kit, ST-200

4737A922 Vent Package

4737B666 Heater Plate, (3 Holes)

4741A926 Lower Galley Divider-Left

1215-177 Brass Tee

1215-241 Flare Nut

1201-865 Clamp, X4

1201-870 Tube Clamp, XI

231-00-375-21 3/8" Copper Tubing, 30" Length

4733A412 Grommet

4734-389 3/4" Bushing

4735A683 Heater Pigtail

FURNACE, 16,000 BTU, Hydro Flame, 4741-6421

4737C8041 Installation Kit, Hydro Flame

4741-9471 Vent Package

4741-913 Filler, Top

4741-914 Filler, Bottom

4741-915 Filler, Right

4741-916 Filler, Left

4741A926 Lower Galley Divider-Left

1215-177 Brass Tee

1215-241 Flare Nut

1201-865 Clamp, X4

1201-870 Tube Clamp, XI

231-00-375-21 3/8" Copper Tubing, 48" Length

4733A412 Grommet

4734-389 3/4" Bushing

4735A683 Heater Pigtail

GAS BOTTLE COVER, 4724B6441

GRILL, COLEMAN TEFLON II, 5140A700, (M3)

INFLATE-ALL AND CORD, 2239D641

2239-7501 15 Ft. Extension Cord

OVEN, COLEMAN CAMP OVEN, 5010A700

OVERHEAD STORAGE CABINET, 4739A6331

4739-6341 Door Ass'y

4739-6391 Latch & Strike Pkg.

4739-052 Screw, Antique Copper

4739-290 Screw Cap, Brown

4739-291 Screw, Washer

5257A111 Hanger, (Towel Rack)

1016B1018 Machine Screw

1201B695 Keps Nut

4739-480 Hanger Bracket

4741-445 Conversion Bracket

4737-321 Rubber Button

1103E1008 Screw

TABLE TOILET, 4741A285

REFRIGERATOR, 4737A8331; PORTABLE 3-WAY(DOMETIC)

4737-9381 12VDC Power Harness

REFRIGERATOR, 4737-8271; PORTABLE, CHEST TYPE

4737-8311 12VDC Power Harness

ACCESSORIES & REPAIR PARTS (cont.)

SCREEN ROOM (REQUIRES CANOPY)

*4723B6771 60 Models, (Used W/4724D7001 Canopy)

4728A5621 80 Models, (Used W/4724E7011 Canopy)

4728C5601 90 Models, (Used W/4724E7021 Canopy)

*4723-7081 Screen Room Adapter, (Adapts 4723B6771
To 1767, 1768 & 1769 Models)

4723-5291 Pole Assembly

8470-225 Pin, Canopy Poles

8470-169 Pin, Canopy Inner Pole

4714-5491 Lock Adjusting Pkg., Canopy Poles

8451-010 10" Twist Stakes, X7

4741-497 Dimpled Bumper, X3

1225U339 Zipper, Pin Half, X2 (Bed Side)

1225U338 Zipper, Slider Half, X2 (Side)

665-05-000-27 #5 Zipper Chain, 9/16 (Flap)

1225-418 #5 Ziplon Pull (For Chain Zipper)

435-00-000-01 3/4" Velcro Loop-Standard Backing

435-00-000-02 3/4" Velcro Hook-Standard Backing

435-00-000-07 3/4" Velcro Hook-Press. Sensitive

SLEEPING BAG, 8121-606

SPARE TIRE COVERS

*Refer to Page

SPARE TIRE MOUNT, 4741-6561 (PIONEER SERIES)

4741-656 Tire Mount Ass'y

4737-958 Tire Mount Stud Ass'y

1178B161 Screw

1189B1612 Screw

1201B661 Nut

STOVE, PROPANE, (AND ACCESSORIES)

5410A700 Propane, 2 Burner Deluxe

5410-785 Recreational Vehicle Adapter

4714-7931 12 Ft. Hose & Regulator Fitting

5410-7931 10 Ft. Hose & Regulator Fitting

5445A5561 Propane Regulator

STOVE BRACKET MOUNTING KIT, 4714B5981

1103B0808 Screw, X9

4734-569 Outside Stove Bracket

4734-670 Spring Clip

4734A292 Stove Rest

4734A305 Bracket, X2

4734A326 Stove Brace Bracket

STOVE & MOUNTING KIT, COMPLETE, 4714C5981

5410A700 Propane Stove W/Regulator

5410-5661 Hose

4739-697 Throat Cylinder Adapter

4739-699 Street Tee

4737-937 Stove Support

4737-933 Stove Support bracket, XI

4740A189 Support Bracket, X6

4734A305 Bracket, X2

VANITY BOARD, 4733E6341

4734-2031 S-Hook, X4

4734-204 Eye Screw, X2

4734A1681 Cup Dispenser

4734-202 Chain, X2

WARDROBE RACK, KANSAS BEIGE, 4733C6441

4733B644 Wardrobe Hanger Ass'y, XI

4734B153 Wardrobe Bracket, X2

4737-321 Rubber Button

4741A445 Conversion Bracket

1201B638 Lock Nut, X4

1103E1008 Screw, X7

1022B081 Screw, X2

1984 Coleman Folding Camping Trailers

We bring out the best.

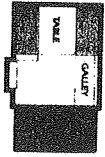
From the basic Jamestown® Ltd. to the luxurious Williamsburg®, there's a Coleman® trailer to fit your family, budget and life style.

The Pioneer™ Series—five trailblazing economy trailers loaded with these valuable standard features:

- free-standing dinette
- hard-backed dinette cushions convertible to bed
- complete galley
- water tank
- clear vinyl windows
- dome lights
- lock-on stabilizers
- attached bed supports
- swing-up dolly wheel
- aircraft-type stainless steel lift system
- Coleman® Stepper™ with dead-bolt lock
- one-piece aluminum screen door
- Conesaga™ wing bed design
- 36" headroom over beds
- moisture barrier around beds
- convenient 35" galley height
- double-needle stitching and fine-mesh screening
- 6'5" interior height
- stove cover and splash guard

The Americana™ Series—everything the Pioneer™ Series offers and more; a swing-level galley,* 4"-thick mattresses, vinyl-backed drapes, a Coleman® Convertible™ 3-way Cooler and other extras that count.

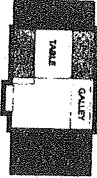
Jamestown® Ltd.



- 4-sleeper
- 760 lb. curb wt.

- one double bed
- 2-burner stove

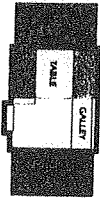
Redwood®



- 5-sleeper
- 820 lb. curb wt.

- one double and one single bed
- 2-burner stove

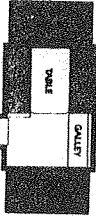
Columbia™



- 6-sleeper
- 870 lb. curb wt.

- two double beds
- 2-burner stove

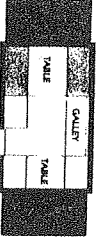
Newport™



- 6-sleeper
- 990 lb. curb wt.
- two double beds

- 10" tires
- 2-burner range

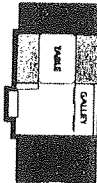
Cape Cod™



- 8-sleeper
- 1180 lb. curb wt.
- 2 dinettes

- 3-burner stove
- 10" tires

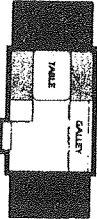
Colonial®



- 5-sleeper
- 855 lb. curb wt.

- one double and one single bed
- 2-burner stove

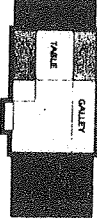
Sun Valley®



- 6-sleeper
- 895 lb. curb wt.
- two double beds

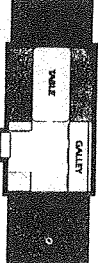
- 3-burner stove
- 10" tires

Royale™



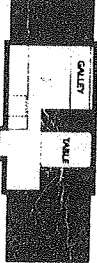
- 6-sleeper
- 895 lb. curb wt.
- one-piece queen-size bed and one single bed
- wardrobe rack
- 3-burner stove
- galley work and cabinet space
- chest of drawers

Shenandoah®



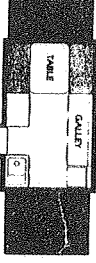
- 8-sleeper
- 1,260 lb. curb wt.
- 56" dinette; seats six or more
- wardrobe rack
- one-piece queen-size bed and one double bed
- 3-burner stove
- chest of drawers

Sequoia®



- 7-sleeper
- 1,340 lb. curb wt.
- 3-burner interior stove
- 2-burner exterior stove
- side dinette
- easy access to both beds
- one-piece queen-size bed and one double bed
- wardrobe rack
- chest of drawers

Williamsburg™



- 7-sleeper
- 1,350 lb. curb wt.
- 3-burner stove
- one-piece queen-size bed and one double bed
- tub and shower
- hot water heater
- wardrobe rack
- chest of drawers
- portable toilet