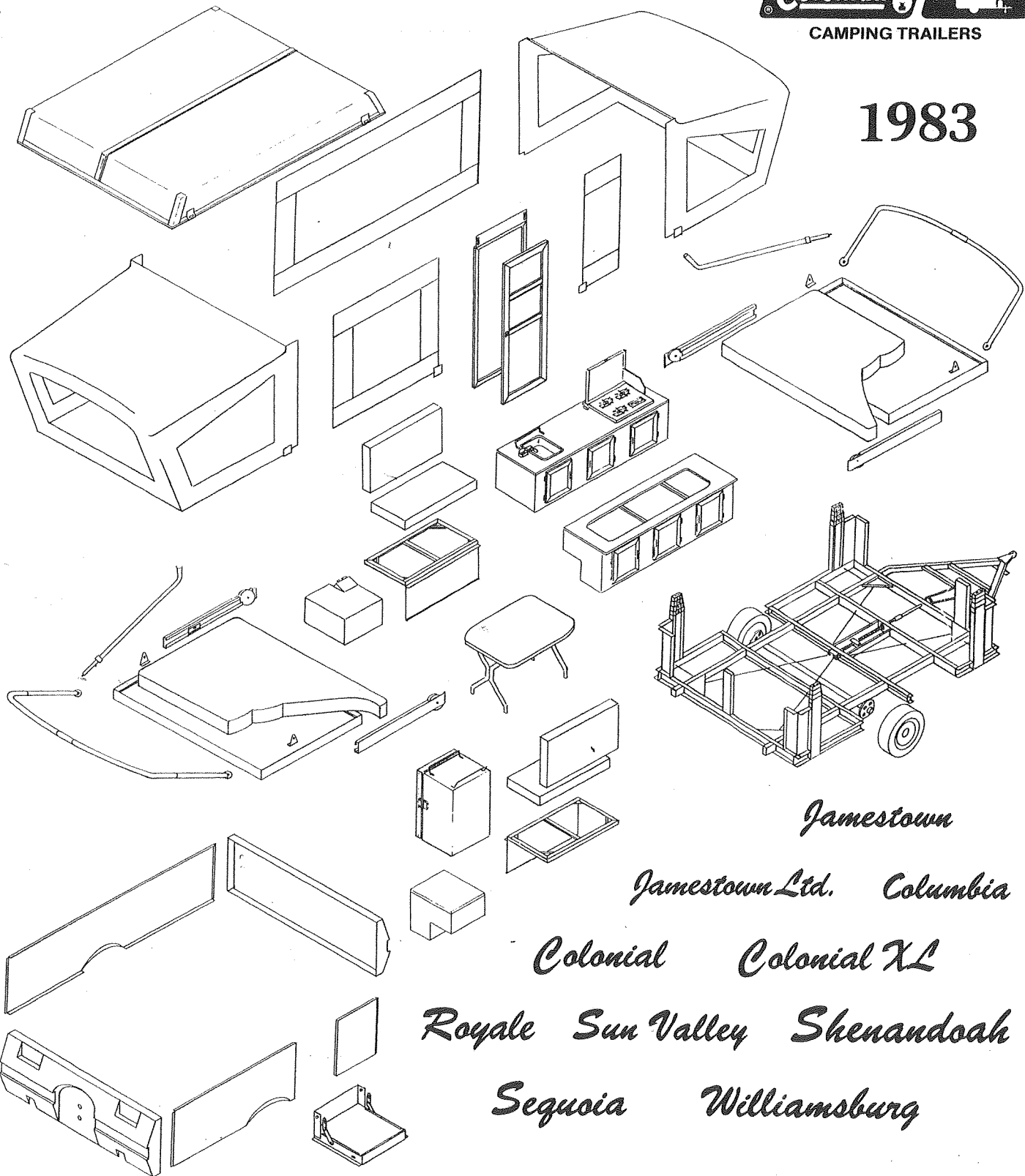




1983



Jamestown

Jamestown Ltd. Columbia

Colonial Colonial XL

Royale Sun Valley Shenandoah

Sequoia Williamsburg

REPAIR PARTS and ACCESSORIES
No. 11N





DESCRIPTION	PAGE NO.
ACCESSORIES and REPAIRS	3, 4
ACCESS DOOR ASSEMBLIES	5
AXLE ASSEMBLIES	6
BED ASSEMBLIES	8
BODY PANEL ASSEMBLIES:	
Front	9
Rear	9,10
Right Rear	10
Left	11
Right Front	12
BODY CORNERS 1767, 1768, 1769	12
BRAKE ASSEMBLY (Electric)	7
BULB REPLACEMENT	21
CABINET ASSEMBLIES:	
Front Cabinet Assembly 1770, 1710	13
Seat Cabinet Assembly 1790	13
Potti Cabinet 1790	14
Drawer Cabinet 1790	14
Drawer Cabinet Assembly 1790	14
Shower Cabinet Assembly 1795	15
CANVAS and EVOLUTION ASSEMBLIES	18
CANVAS SUPPORT ASSEMBLIES	8
CHASSIS	19
CHEST of DRAWER ASSEMBLIES:	
Chest of Drawers Cabinet 1770, 1780, 1710, 1795	16
Chest of Drawers (Small) 1770, 1780	16
Chest of Drawers 1710, 1795	16
Chest of Drawers 1790	17
COOLERS	24
CRANK and SPROCKET ASSEMBLIES	30
CURTAIN PACKAGES and COMPONENTS	12
CUSHION and BACKREST ASSEMBLIES	18
DRAPE PACKAGES	12
ELECTRICAL SYSTEMS	20, 21
EXPANDA-BED CUSHION ASSEMBLIES	27
FLOOR PLANS	39
FURNACE:	
ST-200	22, 23
Hydro-Flame	23
GALLEY ASSEMBLIES:	
Lower	24, 25
Upper	26, 27
GAS SYSTEMS	28
HOT WATER HEATER	23
LIFT ASSEMBLIES	29
MATTRESS ASSEMBLIES	27
MISCELLANEOUS	37, 38
PARTS PACKAGE	4
PLUMBING DIAGRAM 1795	15
RATCHET ASSEMBLIES	30
RIVETS	36
SCREEN DOOR ASSEMBLIES	31
SEAT FRAME ASSEMBLIES	17
SPECIFICATIONS	40
STOVES	32
TABLES	32
TOP ASSEMBLIES	33
TOUCH-UP PAINT	38
TRIM TAPE	11
WATER SYSTEMS	34, 35
WHEEL ASSEMBLIES and ACCESSORIES	7
WHIFFLE TREE and RELATED PARTS	29
WIRING COLOR CODE	21



Camping Trailers

1983 PARTS LIST

Accessories

ACCESSORIES & REPAIR PARTS

AIR CONDITIONER FRAME KIT (Less Canvas), 4739C5801

Note: May not work with all types of portable Air Conditioners.

- 4723C6881 A. C. Canvas, CS Rear--1767, 1768, 1769, 1760, 1765
- 4723B6891 A. C. Canvas, CS Rear--1770, 1780
- 4723C5301 A. C. Canvas, CS Front-1790, 1710
- 4723-7061 A. C. Canvas, CS Rear--1795
- 4739-134 Upright Pole Ass'y, Front
- 4739-135 Upright Pole Ass'y, Rear
- 4730A354 Stud
- 4739-1361 Cross Post
- 4739-137 A. C. Post Bracket
- 4739-495 A. C. Strap Ass'y
- 4710-268 Stop Button
- 1143B1008 Screw
- 1103B1012 Screw
- 1103B1016 Screw
- 4733-451 Bracket

AIR CONDITIONER - "Mini-Mach" (Roof Mount), 6707R707

- 6733C724 Ceiling Ass'y (Required With Above)
- 4737-8091 "Mini-Mach" Installation Kit

AUTO EXTENSION, 12 VDC - 25 Ft. 4733C6701

BIKE RACK, 4739A6091

- 4739A631 Rack Tube Ass'y
- 4739-488 Rack Hook
- 4739-485 Rack Top Bracket
- 4739-484 Cross Brace
- 4739-486 Tie Down Strap
- 4771-263 Hitch Pin
- 4732A479 Safety Pin
- 1014B1024 Screw
- 1201B604 Lock Nut
- 435-00-000-91 1/8"x24 Black Neoprene Seal

BOAT/LUGGAGE RACK, 4737-8231

- 1014E1024 Screw
- 1103E1016 Screw
- 1200E145 Bolt, 1/4-20x2 1/2"
- 1201E639 Lock Nut, Hex Head, 10-24
- 4737-901 Luggage Rack Rail
- 4739-690 Luggage Rack Support Ass'y

BUMPER STORAGE (All Models) 4733F6481

- 4734E5831 Frame Extension Ass'y - Left
- 4734E5841 Frame Extension Ass'y - Right
- 1032B2416 Flat Head Machine Screw
- 1201B524 Washer
- 1202B046 Washer
- 4733C648 Bumper
- 4714-3351 Bumper End Cap Package
- 1200B303 Bolt
- 1202B102 Washer

BUMPER, SPLIT (All Models) 4737A8061

- 4741A597 Frame Extension Ass'y (Split)-Left
- 4741A598 Frame Extension Ass'y (Split)-Right
- 1200B304 Hex Head Cap Screw, 3/8-16x3/4"
- 4714-614 Bumper Ass'y (Split)
- 1032B242 Flat Head Machine Screw
- 1202B046 Washer
- 4741A429 Bumper Brace (Split)
- 1006B121 Bolt, 1/4-20x5/8
- 1202B104 Washer
- 4738-047 Nut, 1/4-20
- 1178B161 Tapping Screw, 1/4-28x5/8
- 4741-623 Stabilizer Bracket Ass'y
- 4739-229 Flanged Locknut, 3/8-16

CABANA, 4728E5801

- 4728-1901 Cabana Track
- 4728-5781 Brace Pole Ass'y
- 4728-5791 Eave Pole Ass'y
- 4714-5491 Lock Adjusting Package
- 4728B051 Window Tie, 24"

CABANA, 4728E5801 (CONT.)

- 8451-010 10" Twist Stake
- 8470-174 Red Cap
- 8470-172 Pin (Blue), Brace Pole
- 8470-138 Stop (Blue) Eave Pole
- 665-05-000-27 #5 Ziplon Chain Zipper, 9/16"
- 1225-418 #5 Zipper Pull

CANOE & BOAT KIT, 4737A8081

CANOPY, 4724D7001 - 1767, 1768, 1769, 1760, 1765

- 4724E7011 - 1770, 1780
- 4724E7021 - 1790, 1710, 1795
- 4724C657 Canopy Only, 60 Models (4724D7001)
- 4724D655 Canopy Only, 80 Models (4724E7011)
- 4724D656 Canopy Only, 90 Models (4724E7021)
- 4714-2671 CANOPY BAG, 60 MODELS
- 4714-2681 CANOPY BAG, 80 MODELS
- 4714-2691 CANOPY BAG, 90 MODELS
- 4737A145 Canopy Support, (4724D7001)
- 4737A139 Canopy Support, (4724E7011)
- 4737A154 Canopy Support, (4724E7021)

4737A425 End Cap, (Canopy Support)

4737-320 Tek Screw

4737A5971 Pole Ass'y, X2

8470-174 Red Cap, Lower Pole Ass'y

4714-5491 Lock Adjusting Package

4720A2361 Support Rod & Pal Nuts

4714-3331 Poly Rope

4724-3931 Rope Adjuster

4724-255 Hook Stake (Plastic) 12"

1201E733 Pal Nut, X2 (Canopy Stops)

1107B0606 Screw

CONVERTER, 4737-8281 (For 1767 Only)

Note: 12VDC/3 Amp Output - 120VAC Input

COOLER

- 5283-703 40 Qt., Red/White, Chest Type
- 4739A279 48 Qt., Brown/White, Chest Type
- 4741-999 68 Qt., Brown/Beige, "Convertible"

CURTAINS/DRAPE

- 4724C7101 Drape Pkg. (Dk. Rust) 1767, 1768, 1769
- 4725B6351 Privacy Curtain (Champagne)
- 4725B6361 Dressing Room Curtain (Champagne)
- See Index For Component Details

ELECTRIC BRAKES, 4714B2011

See Index For Component Details

ELECTRIC LIFT ASSEMBLY, 4737-8181

See Page 74, Book 2- 1982 Parts List For Component Details

ELECTRIC WATER PUMP KIT, 4737-8261

- 4739-627 Pump
- 4714-248 Faucet Switch
- 4714-249 Yoke
- 4732-456 Plastic Fitting, 1/2" MPT
- 4741-956 Plastic Fitting, 1/2" FPT

FOREIGN CAR WIRING KIT, 4739-6171

4739-4891 Amber Lens

FURNACE, 12,000 BTU, Coleman ST-200, 4737E6921

- 4737H6741 Installation Kit, ST-200
- 4737A922 Vent Package
- 4737A666 Heater Plate, (3 Holes)
- 4737A667 Heater Plate, (4 Holes)
- 4741A926 Lower Galley Divider-Left
- 4741A927 Lower Galley Divider-Right
- 1215-177 Brass Tee
- 1215-241 Flare Nut
- 1201-865 Clamp, X4
- 1201-870 Tube Clamp, X1
- 231-00-375-21 3/8" Copper Tubing, 30" Length
- 4733A412 Grommet
- 4734-389 3/4" Bushing
- 4735A683 Heater Pigtail

Accessories

1983 PARTS LIST



ACCESSORIES & REPAIR PARTS (CONT.)

FURNACE, 16,000 BTU, Hydro Flame, 4741-6421
 4737B8041 Installation Kit, Hydro Flame
 4741-9471 Vent Package
 4741-913 Filler, Top
 4741-914 Filler, Bottom
 4741-915 Filler, Right
 4741-916 Filler, Left
 4741A926 Lower Galley Divider-Left
 4741A927 Lower Galley Divider-Right
 1215-177 Brass Tee
 1215-241 Flare Nut
 1201-865 Clamp, X4
 1201-870 Tube Clamp, X1
 231-00-375-21 3/8" Copper Tubing, 48" Length
 4733A412 Grommet
 4734-389 3/4" Bushing
 4735A683 Heater Pigtail

GAS BOTTLE COVER, 4724A6441

GRILL, COLEMAN TEFLON II, 5140A700, (M3)

INFLATE-ALL AND CORD, 2239D641

2239-7501 15 Ft. Extension Cord

OVEN, COLEMAN CAMP OVEN, 5010A700

OVERHEAD STORAGE CABINET, 4739A6331

4739-6341 Door Ass'y

4739-6391 Latch & Strike Pkg.

4739-052 Screw, Antique Copper

4739-290 Screw Cap, Brown

4739-291 Screw, Washer

5257A111 Hanger, (Towel Rack)

1016B1018 Machine Screw

1201B695 Keps Nut

4739-480 Hanger Bracket

4741-445 Conversion Bracket

4737-321 Rubber Button

1103E1008 Screw

PORTABLE TOILET, 4741A285

REFRIGERATOR, DOMETIC, 4739A5711

4739C5701 Installation Kit, Dometic Refer

4741-808 Reefer Fan

4739A568 Reefer Vent Ass'y (Includes Fan)

4739-572 12VDC Power Harness

231-00-375-21 3/8" Copper Tubing, 83" Length

1215-177 Brass Tee

1215-241 Flare Nut

1215-390 Union

1215-516 Flared Union Elbow

4733A412 Grommet

4741-954 1" Snap Bushing

4739A579 Extension Harness

4739A586 Reefer Extension Harness

4741-389 Drawer Handle

4737A283 Cashmere Caulk

REFRIGERATOR, PORTABLE CHEST TYPE, 4737-8271

4737-8311 12 VDC Refrigerator Wire Harness

ROOF RACK, 4737-8071

4741-815 Rack Bar, X2

4741-817 Rack Bracket, X12

4741-814 Rack Bar Corner, X4

1014E1024 Screw, X12

1103E1014 Sheet Metal Screw, X24

1201E639 Hex Lock Nut

4714-065 Ten-X Sealant

4730A464 Tube Closure, X4

SCREEN ROOM, (REQUIRES CANOPY)

*4723B6771 60 Models, (Used W/4724D7001 Canopy)

4728A5621 80 Models, (Used W/4724E7011 Canopy)

4728C5601 90 Models, (Used W/4724E7021 Canopy)

*4723-7081 Screen Room Adapter, (Adapts 4723B6771 To 1767, 1768 & 1769 Models)

SCREEN ROOM, (CONT.)

4723-5291 Pole Assembly
 8470-225 Pin, Canopy Poles
 8470-169 Pin, Canopy Inner Pole
 4714-5491 Lock Adjusting Pkg., Canopy Poles
 8451-010 10" Twist Stakes, X7
 4741-497 Dimpled Bumper, X3
 1225U339 Zipper, Pin Half, X2 (Bed Side)
 1225U338 Zipper, Slider Half, X2 (Side)
 665-05-000-27 #5 Zipper Chain, 9/16 (Flap)
 1225-418 #5 Ziplon Pull (For Chain Zipper)
 435-00-000-01 3/4" Velcro Loop-Standard Backing
 435-00-000-02 3/4" Velcro Hook-Standard Backing
 435-00-000-07 3/4" Velcro Hook-Press. Sensitive

SPARE TIRE MOUNT, 4738A5361, 1767, 1768 & 1769

1200B122 Hex Head Bolt

1201B660 Lug Nut

1201B106 Washer

4738A136 Chain Bar Tire Mount

SLUMBER PAK, 4728G6201 (One Sleeping Bag & Two Pillows)

SMOKER GRILL, (PROPANE) 5475-701

STOVE, PROPANE, (AND ACCESSORIES)

5410A700 Propane, 2 Burner Deluxe

5410-785 Recreational Vehicle Adapter

4714-7951 12 Ft. Hose & Regulator Fitting

5410-7931 10 Ft. Hose & Regulator Fitting

5445A5561 Propane Regulator

5410-785 Gas Bottle Adapter

STOVE BRACKET MOUNTING KIT, 4714B5981

1103B0808 Screw, X9

4734-569 Outside Stove Bracket

4734-670 Spring Clip

4734A292 Stove Rest

4734A305 Bracket, X2

4734A326 Stove Brace Bracket

VANITY BOARD, 4733E6341

4734-203 S-Hook, X4

4734-204 Eye Screw, X2

4734A1681 Cup Dispenser

4734-202 Chain, X2

WARDROBE RACK, KANSAS BEIGE, 4733C6441

4733B644 Wardrobe Hanger Ass'y, X1

4734B153 Wardrobe Bracket, X2

4737-321 Rubber Button

4741A445 Conversion Bracket

1201B638 Lock Nut, X4

1103E1008 Screw, X7

1022B081 Screw, X2

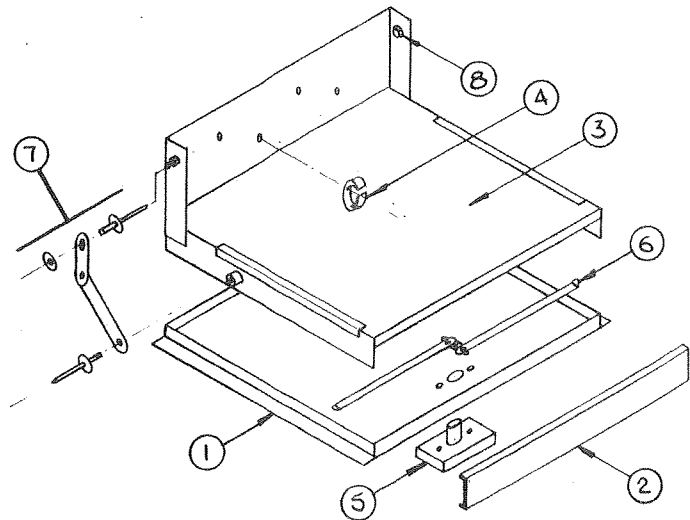
PARTS PACKAGES

4741A647 JAMESTOWN - 1768
 4739A659 JAMESTOWN LTD. - 1769
 COLUMBIA - 1767
 4741B522 COLONIAL & XL - 1760-1765
 SUN VALLEY - 1780
 ROYALE - 1770
 4733L562 SHENANDOAH - 1790
 SEQUOIA - 1710
 4741A541 WILLIAMSBURG - 1795

**4733N5161 ACCESS DOOR ASSEMBLY - ALL EXCEPT
1767, 1768, 1769**

CODE	PART NO.	DESCRIPTION
1	4741A0321	Access Door Skin
	*4737-463	Open Decal
	*435-00-003-95	Trim Tape, 3 Feet Required
2	4731F233	Access Door Cap
	*4733A060	Rivet, X8
3	4731H2291	Step Door Covering
4	4734-243	Snap Clip
	*4733-411	Tek Screw
5	4730B3111	Lock Handle
	*4730A3211	Access Door Key, M2
	*1032B1014	Screw, X2
	*1201B695	Keps Nut, X2
6	4730A5201	Lock Bar Ass'y
	*4741-143	Reinforcement Plate
	*1202B852	Lock Washer
7	4734-5571	Swing Arm Ass'y
	1203C872	Rivet
	1202B046	Washer
8	1006B242	Bolt, 3/8 - 16 x 1 1/4
	1202B046	Washer
	1201B518	Nut, 3/8 - 16

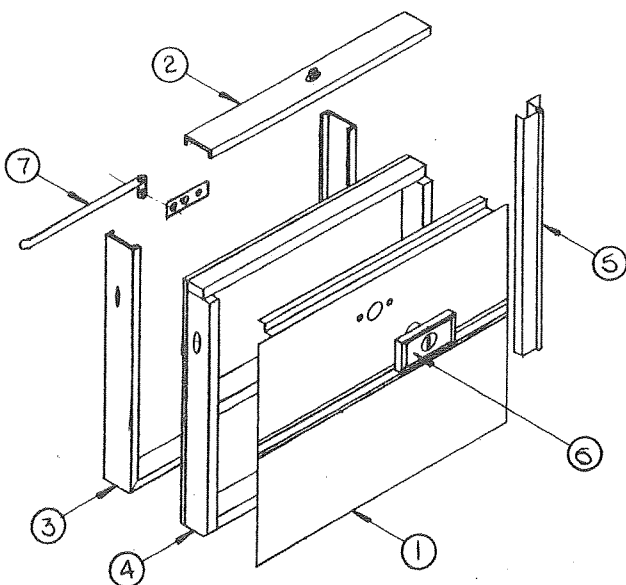
*PARTS NOT IDENTIFIED ON DIAGRAM



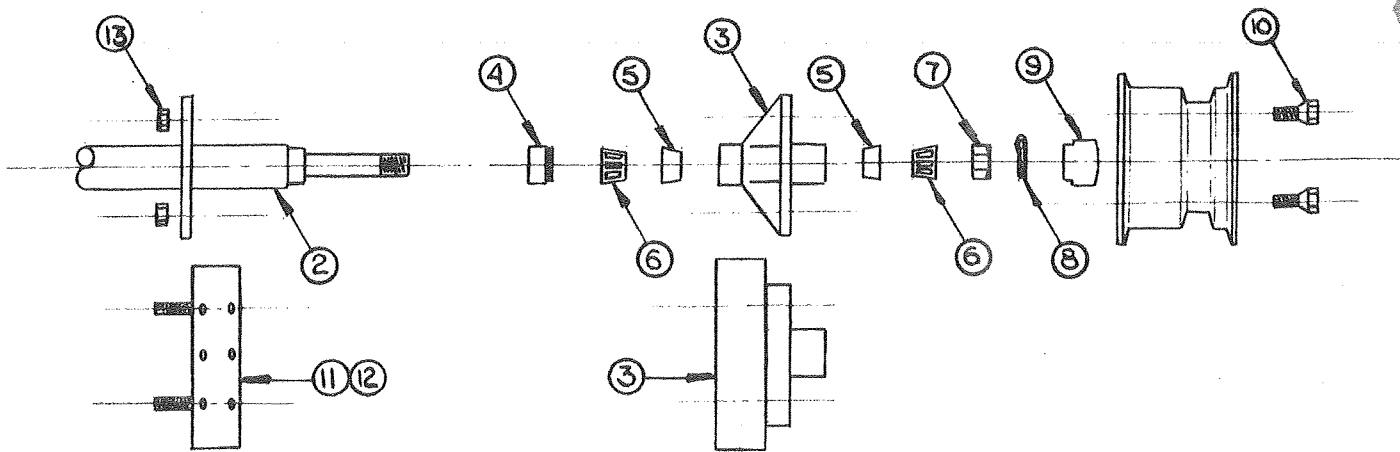
4739A6541 SWING DOOR ASSEMBLY 1767, 1768, 1769

CODE	PART NO.	DESCRIPTION
1	4737-8591	Swing Door Skin
	435-00-001-97	Trim Tape, 3 Feet Required
2	4737-851	Swing Door Cap
	*4730A354	Stud, Swing Door To Door Strap
	*4739-671	Door Strap
	*1103E1010	Screw, X4
3	4737-867	Swing Door Trim
	*1103E1010	Screw, X16
4	4739-650	Swing Door Frame Ass'y
5	4737A858	Swing Door Hinge
	*1103E1010	Screw, Hinge To Door
	*4733-060	Rivet, Swing Door To Bulkhead
6	4730B3111	Lock Handle
	*4730A3211	Access Door Key, M2
	*1032B1014	Screw, X2
	*1201B695	Keps Nut, X2
7	4714-2611	Lock Bar Ass'y
	*4741-143	Reinforcement Plate
	*1202B852	Lock Washer

*PARTS NOT IDENTIFIED ON DIAGRAM



1983 PARTS LIST



AXLE ASSEMBLIES & COMPONENT PARTS

CODE	PART NO.	DESCRIPTION
1		(AXLE BEAM & HUB)
	4741B575	Axle Assembly, All Except 1795
	4714-6451	Axle Assembly, (Electric Brakes) 1795
2	4714A3341	Axle Beam Only, (With Brake Mounting Flange) All
3	4714-3051	Hub Assembly, (Not for Electric Brake) All Except 1795
	*4714-3041	Hub Assembly, (For Electric Brake) Standard on 1795
4	4714-303	Grease Seal #08-9001 13
5	*4714-222	Inner & Outer Cup (Race), L44610, #08-203276
6	*4714-223	Inner & Outer Cone (Bearing) L44649, #08-203689
7	4714-306	Spindle Nut, #08-202734
8	4714-307	Cotter Pin, #08-201996
9	*4714-062	Grease Cap, #79-000198
10	1200B552	Lug Bolt, 1/2-20 With 13/16" Hex Head
11	*4733-3521	Right Hand Electric Brake, 7 1/4", #60-250178
12	*4733-3531	Left Hand Electric Brake, 7 1/4", #60-250179
13	*4714-229	Brake Mounting Nut, #08-201790

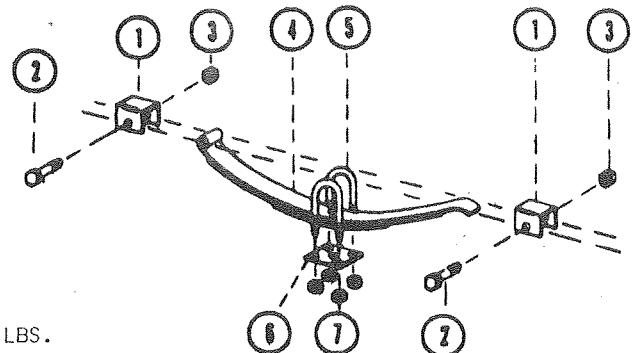
NOTE: 2000 LB. CAPACITY WITH MOUNTING FLANGE FOR ELECTRIC BRAKE
 51" SPRING CENTER - UNDERSLUNG MOUNTING
 64" TRACK WIDTH
 1 1/16" STRAIGHT SPINDLE

FOR REFERENCE ONLY (DO NOT ORDER BY THESE NUMBERS):
 4741C576 AXLE ASSEMBLY COMPLETE 1767, 1768, 1769, 1760, 1765
 1770, 1780
 4733C631 AXLE ASSEMBLY COMPLETE 1790, 1710
 4730G301 AXLE ASSEMBLY COMPLETE 1795

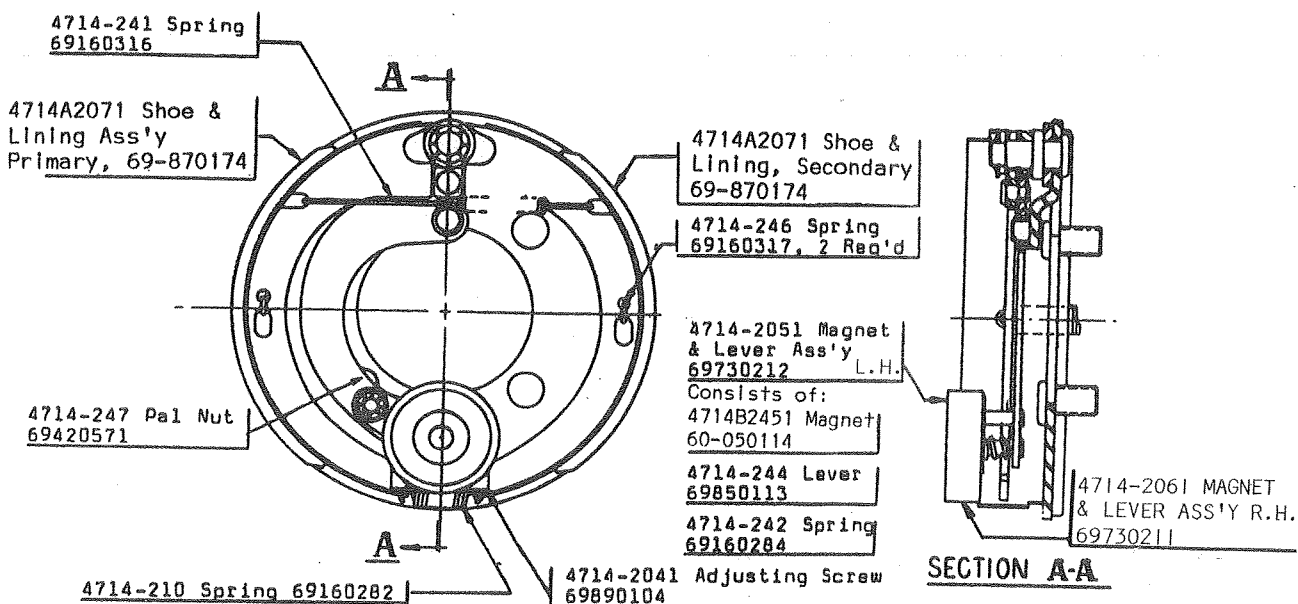
*PARTS INCLUDED IN 4714B2011 ELECTRIC BRAKE PACKAGE

AXLE SPRINGS AND ATTACHMENTS

CODE	PART NO.	DESCRIPTION
1	4741-627	Shackle Ass'y
2	4737A131	Shackle Bolt
3	4741-949	Shackle Bolt Nut
4	4741B3381	Spring 750#, 26" Mtg. Cntr.
		2 Leaf 1760's, 1770, 1780
	4735C2201	Spring, 1000#, 26" Mtg. Cntr.
		3 Leaf 1790, 1710, 1795
5	4741-843	"U" Bolt
6	4741-845	"U" Bolt Plate
7	4741-935	"U" Bolt Nut



NOTE: "U" BOLT NUT SHOULD BE TIGHTENED 180 TO 210 IN. LBS.
 "U"-BOLTS SHOULD BE TIGHTENED EVENLY ACROSS THE
 PLATE.



ELECTRIC BRAKE REPAIR PARTS--4733-3521 RIGHT, AND 4733-3531 LEFT.

COLEMAN		FAYETTE			
PART NO.	PART NO.	DESCRIPTION	PART NO.	PART NO.	DESCRIPTION
4714-2041	69890104	Adjusting Screw Ass'y	4714-246	69160317	Retaining Spring
4714-2051	69730212	Magnet & Lever Ass'y, Lft. Hand	4714-247	69420571	Pal Nut (Magnet to Lever Arm)
4714-2061	69730211	Magnet & Lever Ass'y, Rgt. Hand	4714A2071	69870112	Brake Shoe & Lining Ass'y, M2
4714-210	69160282	Spring--for Adjusting Screw	4714A2151		Spring Kit, NOT SHOWN, Contains: Four 4714-246, Two 4714-241 & Two 4714-210.
4714-241	69160316	Return Spring	4714B2451	60-050114	Magnet
4714-242	69160284	Spring for Magnet & Lever Ass'y			
4714-243	69850112	Magnet Lever, Right Hand			
4714-244	69850113	Magnet Lever, Left Hand			

NOTE: Brake Ass'ys Are Included In 4714B2011 Brake Packages.

WHEEL ASSEMBLIES & ACCESSORIES

MODEL	TIRE & RIM	TIRE COVER	HUB CAP
1767, 1768, 1769	4715-379 (4.80x8x3.75)	4728-5341	4737B0821
1760, 1765, 1770, 1780	4741-398 (5.70x8x3.75)	4728D5351	4737B0821
	*4741A398 (18.5x8.5x8)	4728E5351	4737B0821
1790, 1710, 1795	4730A387 (20.5x8x10)	4728G5101	4734A1851
1700 Series	4737A821 (5.30x12)	4737-8301	**

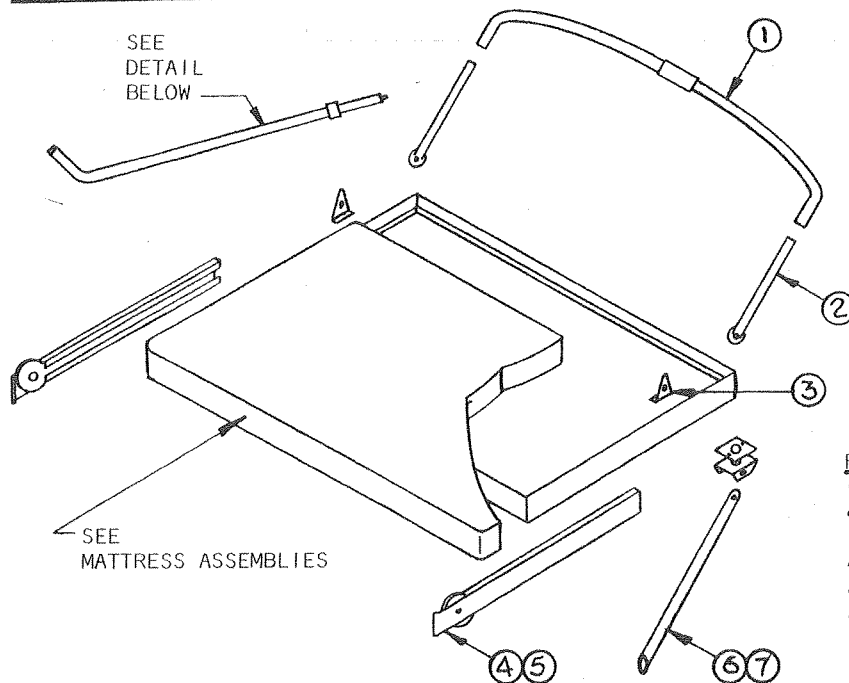
NOTE: 4737A0821 Is A Replacement Part (Package Of 1)

*NEW AS OF JANUARY 1, 1983
**SUPPLIED WITH TIRE & RIM

Bed Ass'ys

Canvas Support Ass'ys

1983
PARTS LIST



FRONT BED ASSEMBLIES

(LESS MATTRESSES & BED SUPPORT)

4741C5108	1767, 1768, 1769, 1760, 1765
4733E650	1770, 1710, 1795
4741C510	1780
4739C621	1790

REAR BED ASSEMBLIES

(LESS MATTRESSES & BED SUPPORT)
4739A665 1767, 1765 (SEE PAGE FOR EXPANDA BED CUSHION ASSEMBLIES)

4737G540	1760, 1770
4741C509	1780
4720L539	1790, 1710, 1795

CODE	PART NO.	DESCRIPTION
1	4737D2631	Upper Canvas Bow Assembly
2	4737C2641	Lower Canvas Supt. Ass'y
	4733-411	Tek Screw, (Lower To Upper)
3	4720C5631	Bed Bow Bracket
	*1014B1006	Screw
4	<u>FRONT BED EXTENSION</u>	
	CURBSIDE:	
	4739A6151	1767, 1768, 1769, 1760, 1765
	4733B6291	1770, 1710, 1795
	4739-6191	1780
	4731-6291	1790
	ROADSIDE:	
	4739-6191	1767, 1768, 1769, 1760, 1765
	4733B6291	1770, 1710, 1795
	4731-6291	1780, 1790
5	<u>REAR BED EXTENSION</u>	
	CURBSIDE & ROADSIDE:	
	4739A6191	1767, 1765
	4737-528	1760, 1770
	4739-6191	1780
	4731-6291	1740, 1710, 1795

CODE	PART NO.	DESCRIPTION
6	<u>FRONT BED SUPPORT ASS'Y</u>	
	4720E5821	Regular, X2 (All Beds)
	4733E6351	Long, X2 1770, 1710, 1795
	*4734A5141	Leg Support Bracket
	*4720A2361	Leg Support Rod And Pal Nut
	*4739-290	Screw Cap
	*4739-291	Screw Cap Washer
	*1040B1614	Bolt
	*1202B252	Washer
	*4737-417	Support Plate, Large
7	<u>REAR BED SUPPORT ASS'Y</u>	
	4734C5881	Regular, X2 (All Except)
	4737B5271	Short, X2 1760, 1770
	*4734C447	Support Plate, Small 1760, 1770
	*All Other Hardware Same As Above	
8	4720C0771	Bed Support Clip, M4
	*1203-884	Rivet
9	4720D402	Lashing Hook
	*1203-874	Rivet
	*1202B026	Washer

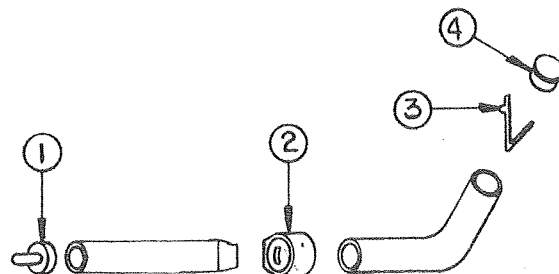
* PARTS NOT INDICATED ON PARTS DIAGRAM

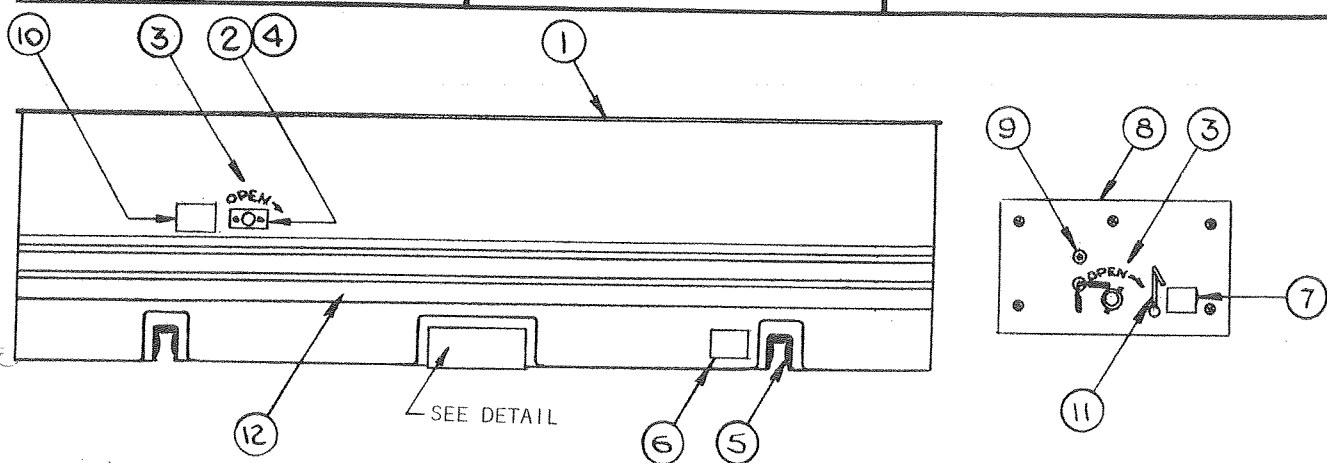
CANVAS SUPPORT ASSEMBLIES

4739-6661	1767, 1768, 1769 (Front & Rear)
4737D5431	1760, 1770 (Rear)
4741A5581	1770, 1710 & 1795 (Front)
4741A5591	1765, 1780 (Front & Rear)
	1790, 1710 & 1795 (Rear)

CODE	PART NO.	DESCRIPTION
1	8470-225	Pole Pin, Blue
		Used on 4739-6661
	8470-172	Pole Pin, Blue
		Used on 4737D5431, 4741A5581, 4741A5591
2	4714-5491	Lock & Key Ass'y (Not used on 4739-6661)
3	4734-670	Spring Ass'y
4	4730B464	Tube Closure
5	* 4737-255	Screw

*PARTS NOT INDICATED ON DIAGRAM



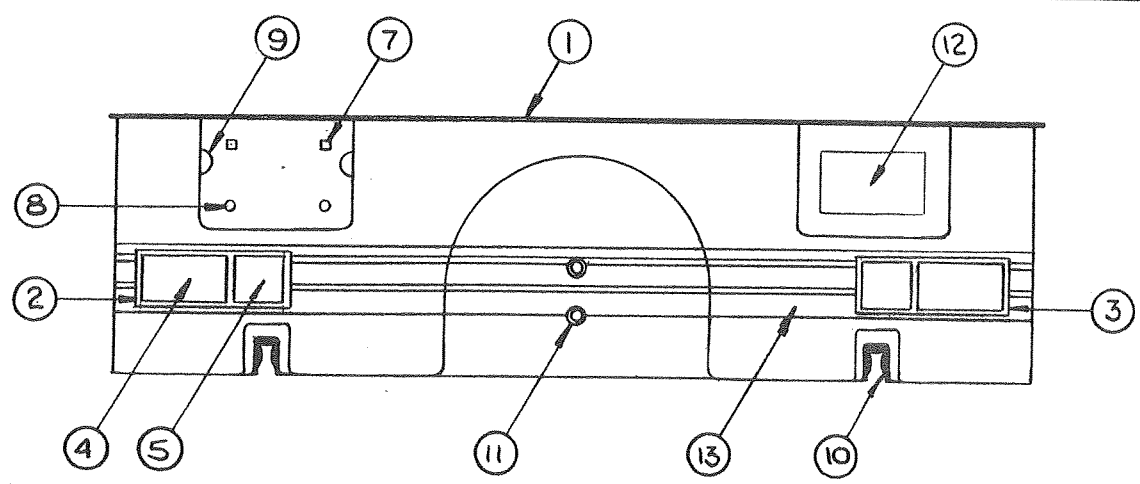


4737A8601 FRONT BODY PANEL, 1767, 1768, 1769
4733E1001 FRONT BODY PANEL 1760, 1765, 1770,
1780, 1790, 1710, 1795

CODE	PART NO.	DESCRIPTION
1	4737-881	Front Body Rail 1767, 1768, 1769
	*1203-864	Rivet, X7 Rail To Panel
	4720F180	Front Body Rail 1760, 1765, 1770 1780, 1790, 1710, 1795
	4741B157	Cup, X4
	1103E1008	Screw, X5 Rail To Panel
2	4741-403	Bushing Plate (Upper Crank) Not used on 1767, 1768, 1769
	*4741-350	Screw, X2 Hex Head Aluminum
3	4730E318	"Open" Decal
4	4741A437	Grommet, X2
5	4737A445	Gasket, X2
6	4730E213	Gas Supply I. D. Plate

CODE	PART NO.	DESCRIPTION
7	4739-117	Switching Decal Not used on 1767, 1768, 1769
8	4715E123	Body Filler Plate Not used on 1767, 1768, 1769
	*435-00-000-16	Foam Tape Around Perimeter
	*1103E100	Screw, X5 Filler Plate To Panel
9	4720-260	Stop Button
	*1103B1012	Screw, X1 Not used on 1767, 1768, 1769
10	4737A363	Latch Caution Decal
11	4730A1221	Safety Latch Package
	*1202B252	Washer, X1 Required on 1767, 1768, 1769
12	435-00-003-95	Trim Tape, 8 Feet Required Not used on 1767, 1768, 1769

*PARTS NOT IDENTIFIED ON DIAGRAM



4737G1011 REAR BODY PANEL 1760, 1765, 1770, 1780
1790, 1710, 1795

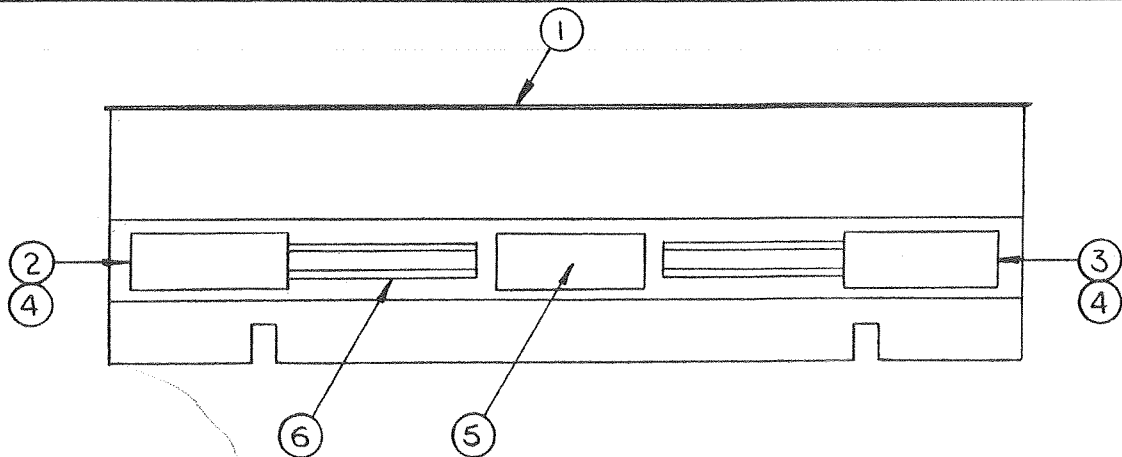
CODE	PART NO.	DESCRIPTION
1	4720F179	Rear Body Rail
	*4741B157	Clip, X4
	*1103E1008	Screw, X5 Rail To Panel
2	4734C3911	Taillight Ass'y Roadside
3	4734C3921	Taillight Ass'y Curbside
4	4739-4321	Taillight Lens, Red
5	4739-4891	Taillight Lens, Amber
6	*1203-893	Rivet, X4 Each Light (Mounting)
	*1202B259	Washer, X4 Each Light (Mounting)
	*4739-434	Screw, X2 Each Lens

CODE	PART NO.	DESCRIPTION
7	4732-118	Plastic Grommet
	1121C1610	Screw
8	4737-072	Rubber Bumper
9	4739A4311	Tag Light
10	4737A445	Gasket
11	4734-364	Hole Plug
12	4741B286	Coleman Logo
13	435-00-003-95	Trim Tape, 6 Feet Required

*PARTS NOT IDENTIFIED ON DIAGRAM

Body Panels

1983 PARTS LIST

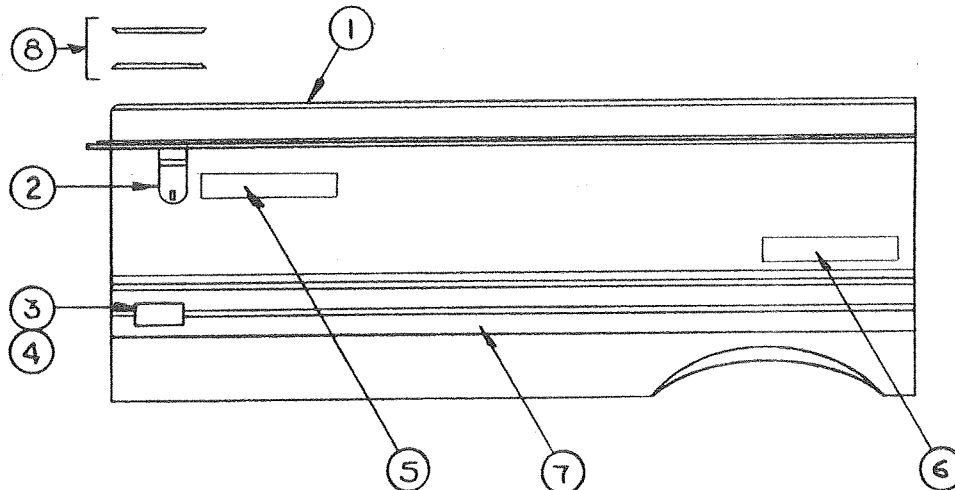


4737A8621 REAR BODY PANEL 1767, 1768, 1769

CODE	PART NO.	DESCRIPTION
1	4737-881	Rear Body Rail
	*1203-864	Rivet, X7 Rail To Panel
2	4734-3911	Taillight Ass'y - Roadside
	4714-0881	Taillight Lens
3	4734-3921	Taillight Ass'y - Curbside
	4714-0871	Taillight Lens

CODE	PART NO.	DESCRIPTION
4	*4734-389	Bushing, XI Under Each Light
	*1203-865	Rivet, XI Each Light (Grounding)
	*1203-874	Rivet, X4 Each Light (Mounting)
5	4741B286	Coleman Logo
6	435-00-001-97	Trim Tape, 4 Feet Required

*PARTS NOT IDENTIFIED ON DIAGRAM

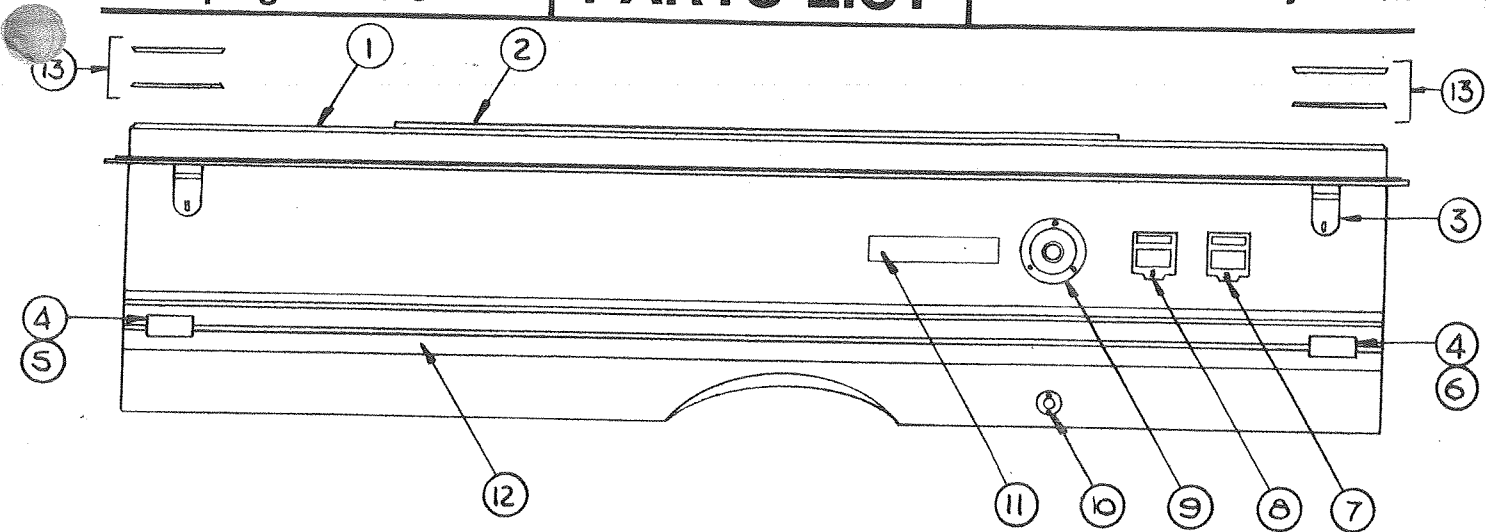


4737A8611 RIGHT REAR PANEL 1767, 1768, 1769
 4737F1141 RIGHT REAR PANEL 1760, 1765
 4733E1091 RIGHT REAR PANEL 1770, 1780
 4741A3001 RIGHT REAR PANEL 1790, 1710
 4739B0181 RIGHT REAR PANEL 1795

CODE	PART NO.	DESCRIPTION
1	4739C2708	Body Rail 1767, 1768, 1769
	1203-865	Rivet, Rail To Panel
	4739D270	Body Rail 1760, 1765
	4720K135	Body Rail 1770, 1780
	4734G179	Body Panel 1790, 1710, 1795
	4734A186	Rivet, Rail To Panel
	435-00-000-27	Velcro Hook (Sold Per Foot)
2	4741A6041	Top Latch WO/Lock
	*4741-821	Screw, X4 Each Latch
3	4733E1311	Side Marker Lamp, Base
	*1203-874	Rivet, X2
4	4714D0851	Side Marker Lamp Lens, Red
5	4738-074	Coleman Decal 1767, 1768, 1769
	4733F461	Coleman Decal 1760, 1765, 1770, 1780, 1790, 1710, 1795

CODE	PART NO.	DESCRIPTION
6	4737A880	"Columbia" Name Decal 1767
	4737A878	"Jamestown" Name Decal 1768, 1769
	4741A960	"Limited" Name Decal 1769
	4739D039	"Colonial" Name Decal 1760, 1765
	4737-840	"XL" Name Decal 1765
	4741A891	"Royale" Name Decal 1770
	4733H051	"Sun Valley" Name Decal 1780
	4733J407	"Shenandoah" Name Decal 1790
	4739E022	"Sequoia" Name Decal 1710
7	435-00-001-97	Trim Tape, 4 Feet Required Used on 1767, 1768, 1769
	435-00-003-95	Trim Tape, 4 Feet Required Used on 1760, 1765
	435-00-003-95	Trim Tape, 5 Feet Required Used on 1770, 1780
	435-00-003-95	Trim Tape, 6 Feet Required Used on 1790, 1710, 1795
8	4737-073	Rail Stop, 6 3/16" 1767 1760, 1765, 1770 1780
	4730B121	Rail Stop, 16 3/16" 1790, 1710, 1795

*PARTS NOT IDENTIFIED ON DIAGRAM

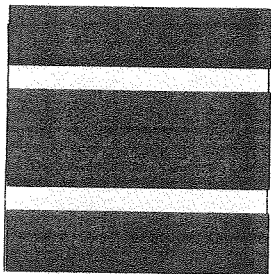


- 4737A8631 LEFT BODY PANEL 1767
- 4737A8661 LEFT BODY PANEL 1768
- 4737A8841 LEFT BODY PANEL 1769
- 4737K0161 LEFT BODY PANEL 1760, 1765
- 4733N1081 LEFT BODY PANEL 1770, 1780
- 4734K0241 LEFT BODY PANEL 1790, 1710, 1795

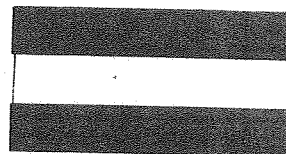
CODE	PART NO.	DESCRIPTION
1	4739C2688	Body Rail 1767, 1768, 1769
	*1203-865	Rivet, X8 Rail To Panel
	4739C268	Body Rail 1760, 1765
	4734C177	Body Rail 1770, 1780
	4734E176	Body Rail 1790, 1710, 1795
	*4734A186	Rivet, X11 Rail To Panel
	435-00-000-27	Velcro Hook (Sold Per Foot)
2	4737B2581	Curtain Track Package, M2 Contains 2 pieces 64" Long
	*4741-986	Rivet, Track To Rail
3	4741A6041	Top Latch, X2 W0/Lock
	*4741-821	Screw, X4 Each Latch
4	4733E1311	Side Marker Lamp Base
	*1203-874	Rivet, X2
5	4714D0841	Side Marker Lamp Lens, Amber
6	4714D0851	Side Marker Lamp Lens, Red
7	4733A2331	Cable Hatch (Not on 1768, 1769)
	*4741-350	Screw, X4
	*4710C361	110 Volt Decal

CODE	PART NO.	DESCRIPTION
8	4731B1711	Recessed Fill Spout (Not on 1767, 1768 1769)
	*4741-350	Screw, X4
	*4735C098	Water Decal
9	4732C1521	City Water Fill, (Not on 1768)
	*4741-350	Screw, X3
10	4734A0681	Drain Spout (Not on 1768)
	*4741-350	Screw, X2
	*4714-0481	Cap & Strap Package
11	4738-074	Coleman Logo 1767, 1768, 1769
	4733F461	Coleman Logo (All Other Models)
12	435-00-001-97	Trim Tape, 8 Feet Required Used on 1767, 1768, 1769
	435-00-003-95	Trim Tape, 8 Feet Required Used on 1760, 1765
	435-00-003-95	Trim Tape, 9 Feet Required Used on 1770, 1780
	435-00-003-95	Trim Tape, 11 Feet Required Used on 1790, 1710, 1795
13	4737-073	Rail Stop, 6 3/16" 1767, 1768, 1769 1760, 1765 1770, 1780
14	4730B121	Rail Stop, 16 3/16" 1770, 1780 1790, 1710, 1795

*PARTS NOT IDENTIFIED ON DIAGRAM



APRICOT BRANDY
KANSAS BEIGE
RUST
KANSAS BEIGE
MOCHA



APRICOT BRANDY
WHITE
MOCHA

TRIM TAPE, 1760, 1765, 1770, 1780
1790, 1710, 1795
435-00-003-95 (Ref. Dwg. No. 4741B169)

TRIM TAPE, 1767, 1768, 1769
435-00-001-97 (Ref. Dwg. No. 4737A868)

NOTE: Refer To Particular Body Panel For
The Amount Needed. (Sold By The Foot)

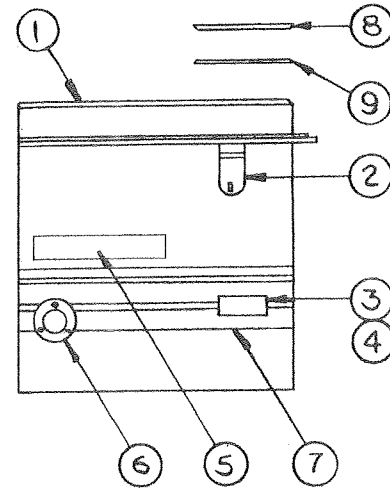
Curtains
Drapes
Body Panels

1983
PARTS LIST



4737A8571 RIGHT FRONT PANEL 1767, 1768, 1769
 4737G0181 RIGHT FRONT PANEL 1760, 1765
 4733D1101 RIGHT FRONT PANEL 1770, 1780
 4741A3011 RIGHT FRONT PANEL 1790, 1710
 4739D0191 RIGHT FRONT PANEL 1795

CODE	PART NO.	DESCRIPTION
1	4739C2698	Body Rail 1767, 1768, 1769
	1203-865	Rivet, X2 Rail To Panel
	4739C269	Body Rail 1760, 1765
	4720J133	Body Rail 1770, 1780
	4739D003	Body Rail 1790, 1710, 1795
	4734A186	Rivet Rail To Panel
	435-00-000-27	Velcro Hook (Sold Per Foot)
2	4715D5051	Top Latch Ass'y W/Lock
	4741-821	Screw, X4 Each Latch
3	4733E1311	Side Marker Lamp Base
	*1203-874	Rivet, X2
4	4714D0841	Side Marker Lamp, Lens, Amber
5	4739D040	"Williamsburg" Decal (1795 only)
6	4741-930	Vent System (1795 Only)
	*4741-821	Screw
7	435-00-001-97	Trim Tape, 2 Feet Required Used on 1767, 1768, 1769
	435-00-003-95	Trim Tape, 2 Feet Required Used on 1760, 1765, 1770, 1780
	435-00-003-95	Trim Tape, 3 Feet Required Used on 1790, 1710, 1795
8	4737-073	Rail Stop, 6 3/16" 1767, 1768, 1769 1760, 1765
	4730B121	Rail Stop, 16 3/6" 1770, 1780 1790, 1710, 1795



CODE	PART NO.	DESCRIPTION
9	4737-108	Rail Stop, 10 11/16 1767, 1768, 1769 1760, 1765
	4730B121	Rail Stop, 16 3/16 1770, 1780, 1790, 1710, 1795

*PARTS NOT IDENTIFIED ON DIAGRAM

BODY CORNERS - 1767, 1768 & 1769

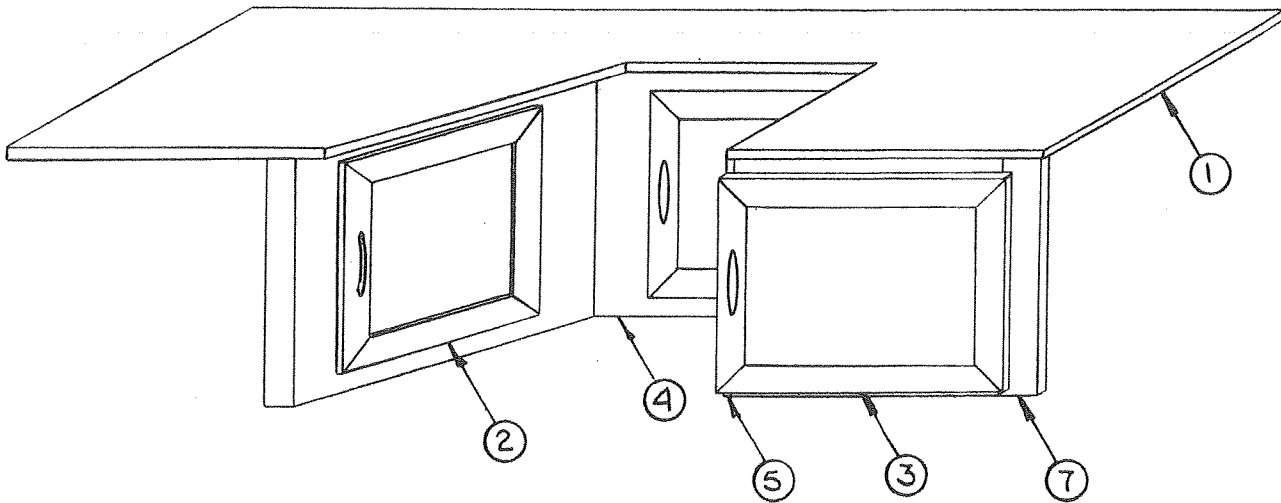
4737-864 BODY CORNER, RR & LF
 4737-865 BODY CORNER, LR & RF

CURTAIN PACKAGES & COMPONENTS

4725B6351	Privacy Curtain
4725A1981	Curtain Tab, M100
4714-1031	Curtain Tab, M20
4725B6361	Dressing Room Curtain
4739-121	1-Beam Curtain Track
4739-120	Mounting Bracket, X8
4739-119	Carrier & Hook, X20
4739-067	1-Beam Stop, X2
1226-122	Spur Grommet, X20
1103B0808	Screw, X16
4723A6781	Bathroom Curtain Ass'y (1795)
4739-119	Carrier & Hook, X17
4739-067	1-Beam Stop, X2
1226-122	Spur Grommet, X17
4724-7111	Shower Curtain Ass'y (1795)
4739-119	Carrier & Hook, X19
4739-067	1-Beam Stop, X2
1226-122	Spur Grommet, X19
4741-9401	Shade Ass'y (1795)
4734-204	Eye Screw
4734-203	"S" Hook

DRAPE PACKAGES & COMPONENTS

1767, 1768, 1769	- 4724C7101	4 PANEL, DARK RUST, (ACCESSORY)
1760, 1765	- 4724E6331	4 PANEL, CHAMPAGNE, (STANDARD)
1770	- 4724A7131	4 PANEL, CHAMPAGNE, (STANDARD)
1780	- 4724H6301	4 PANEL, DARK RUST, (STANDARD)
1790	- 4724F6311	5 PANEL, CHAMPAGNE, (STANDARD)
1710	- 4724D6341	5 PANEL, DARK RUST, (STANDARD)
1795	- 4723D6371	5 PANEL, DARK RUST, (STANDARD)
4724B610		Tie Down
4724-073		2" - "S" Hook
4715-301		Pushnut
4725A1981		Curtain Tab, M100



4741-648 FRONT CABINET ASSEMBLY 1770, 1710

CODE	PART NO.	DESCRIPTION
1	4741-969	Front Cabinet Top
	4733-274	Bushing
	1103B0808	Screw, X9 Cab. Top To Sides
2	4741B518	Door Ass'y, X2
	1203-895	Rivet, X4 Door To Cabinet
3	4741A638	Door Ass'y, XI
	4739-052	Screw, X4 Door To Cab. Side
4	4741-968	Front Cabinet Front
5	4741A902	Front Cabinet Side

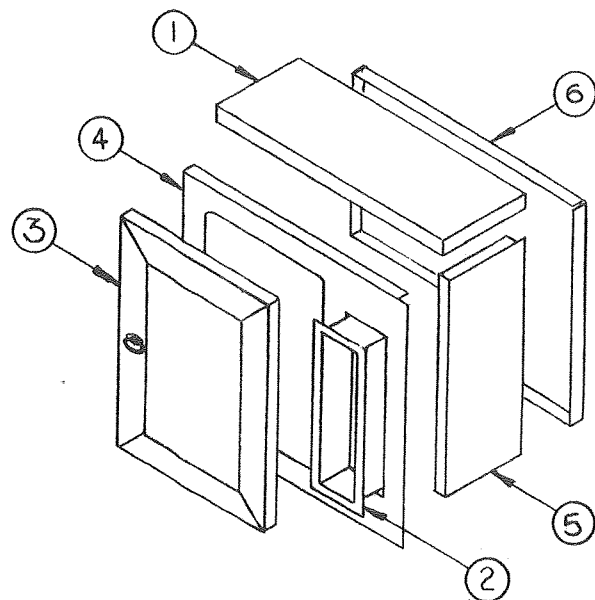
CODE	PART NO.	DESCRIPTION
6	*4733D054	Latch Support, X2
	*4733-060	Rivet, Support To Cabinet
	*4733-6391	Latch & Strike Package
	*1203-895	Rivet, Latch To Support
7	4741-901	Front Cabinet Side Small
	*4741-903	Angle, X2
	*4741-905	Angle, XI

*PARTS NOT IDENTIFIED ON DIAGRAM

4737F580 SEAT CABINET ASSEMBLY 1790

CODE	PART NO.	DESCRIPTION
1	4739B055	Cabinet Top
	1103E1008	Screw, X8 Cab. Top To Sides
2	4737A419	Fire Extinguisher Bracket
	4734-186	Rivet, X6
	4737-555	Fire Extinguisher
3	4741B5188	Door Ass'y
	1203-895	Rivet, X4 Door To Cabinet
4	4739B059	Cabinet Front
5	4739B058	Cabinet Side
6	4741B065	Cabinet Back
7	*4741-964	Latch Support
	*4733-060	Rivet, Support To Cabinet
	*4733-6391	Latch & Strike Package
	*1203-895	Rivet, Latch To Support

*PARTS NOT IDENTIFIED ON DIAGRAM



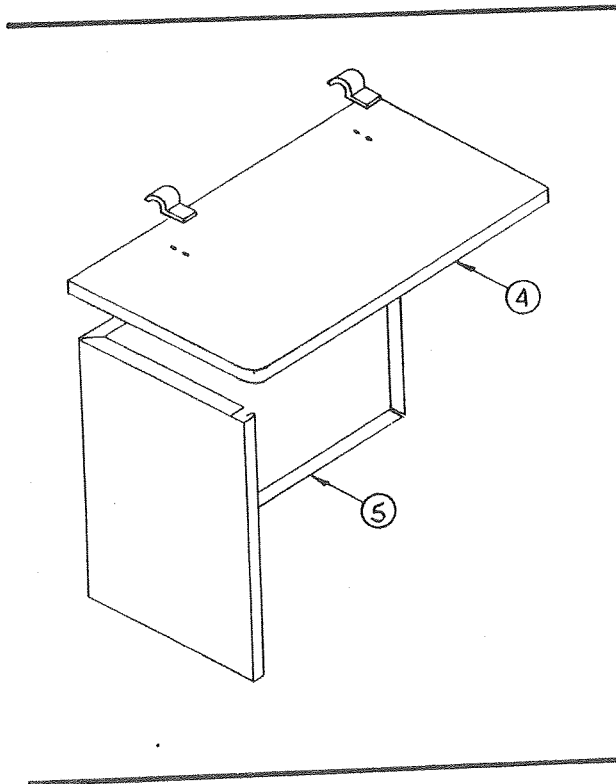
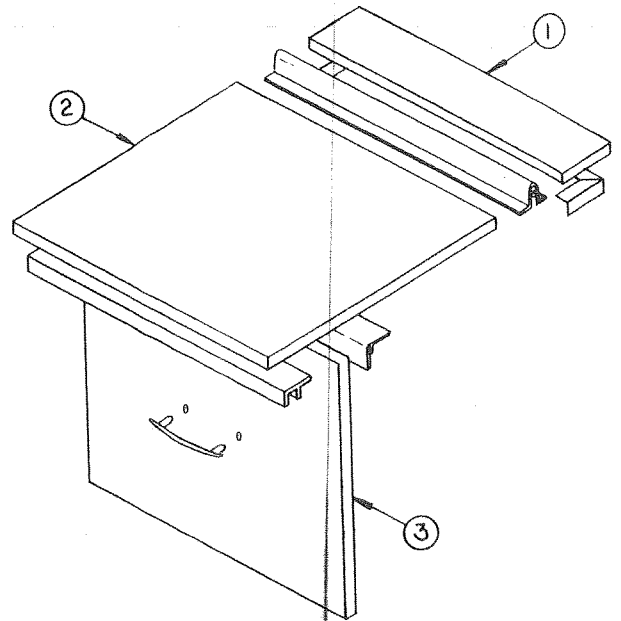
Cabinets

1983 PARTS LIST



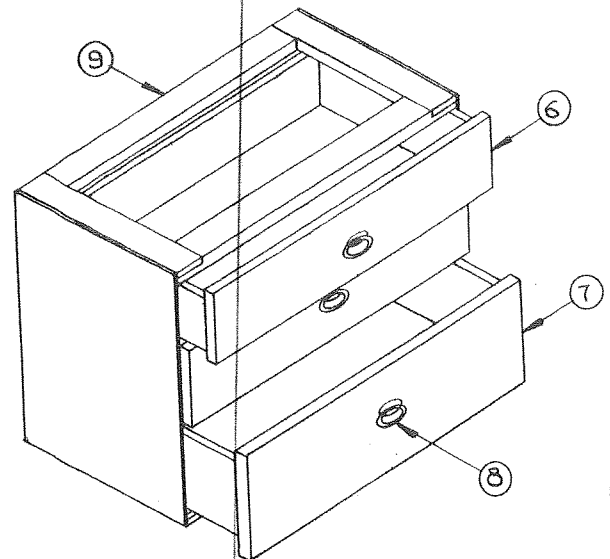
4739C546 POTTI CABINET 1790

CODE	PART NO.	DESCRIPTION
1	4739B1581	Cabinet Top, Short
	4739A155	Support Angle
	1103E1008	Screw, X8
2	4739B5951	Cabinet Top Assembly
	4739C057	Cabinet Top Only
	4739A153	Cabinet Hinge
	1103E1008	Screw X4 Hinge To Top
	4739A157	Protector Track
3	4739C542	Door Assembly
	4739B156	Door Panel
	4739B150	Door Hinge
	1103B0806	Screw, X4 Hinge To Door
	4739A050	Door Pull
	1022B0812	Screw, X2



4739E596 DRAWER CABINET 1790

CODE	PART NO.	DESCRIPTION
4	4739B1591	Drawer Cabinet Top
	1103E1008	Screw, X5 Cab. Top To Sides
	4720A0721	Cooler Clip, M2
	1103E1008	Screw, X2 Each Clip
5	4739B162	Cabinet Side
	4739B161	Cabinet Brace, 17 3/16" Long
	4739B160	Cabinet Brace, 14" Long
	1103E1008	Screw, X6 Braces To Cab. Side

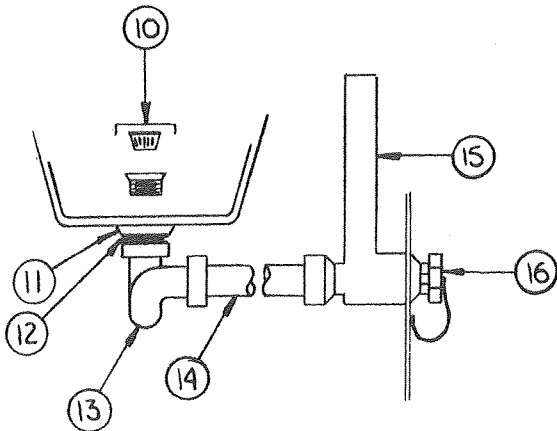
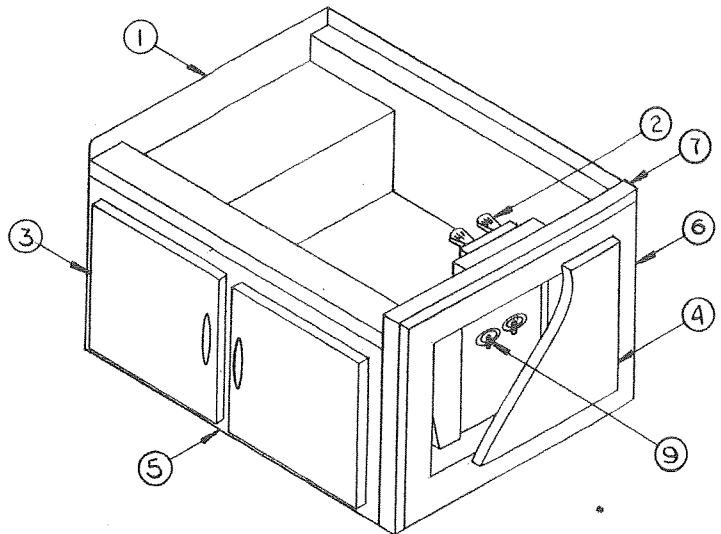


4741-654 DRAWER CABINET ASSEMBLY 1790

CODE	PART NO.	DESCRIPTION
6	4741-651	Top & Middle Drawer Ass'y
	4741-978	Drawer Front
	4733-466	Drawer Only
7	4741-652	Bottom Drawer Ass'y
	4741A418	Drawer Front
	4733-466	Drawer Only
8	4741-389	Drawer Pull
	1022B0810	Screw
9	*4741-990	Cabinet Side, X2
	4741-989	Cabinet Back
	4741-988	Drawer Slide, X6
	1203-865	Rivet, X2 Each Slide
	1202B046	Washer, X2 Each Slide
	4741-653	Drawer Frame Ass'y, X2

4741C547 SHOWER CABINET ASSEMBLY 1795

CODE	PART NO.	DESCRIPTION
1	4741-2221	Bathtub
	4733-413	Tek Screw, X3
	1103B102	Screw, X7
	4739-290	Screw Cap, Brown
	4739-291	Screw Washer
2	4741-2071	Faucet Ass'y
3	4737E517	Door Ass'y, X2
	*4741-4241	Tissue Holder
	*1202B020	Washer, X2
	*1103B0808	Screw, X2
	1203-895	Rivet, X4 Door To Cabinet
4	4741C546	Door Ass'y
	1203-895	Rivet, X4 Door To Cabinet
5	4741-181	Shower Cabinet Front
6	4741-179	Shower Cabinet Side
7	4741-180	Edge Cap
	4739-052	Screw, X6 Cap To Cab. Side
8	*4733C045	Latch Support, X2
	*4733-060	Rivet, Support To Cabinet
	*4733-6391	Latch & Strike Package
	*1203-895	Rivet, Latch To Support
9	4741-235	Swivel Street Elbow, X2



CODE	PART NO.	DESCRIPTION
10	4730D315	Basket Strainer
11	4741A933	Trap Adapter
12	4737-832	Plastic Nut
13	4741-932	"P" Trap
14	4741-931	Sleeve
15	4741-930	Vent System
16	4714-2861	Cap & Strap
	4741-821	Screw

*PARTS NOT INDICATED ON DIAGRAM

4737-913 TUB DRAIN ADAPTER
Reduces 1 1/2" FPT Drain Outlet To A
3/4" Garden Hose Connection.

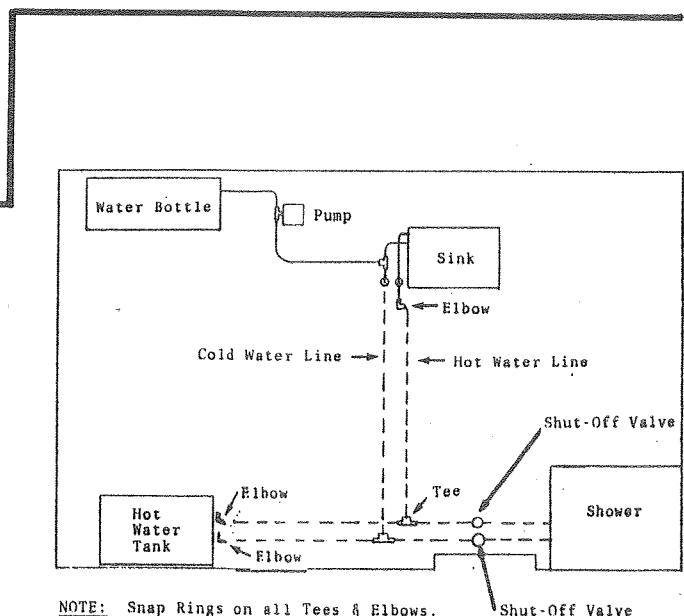
NOTE: INCLUDED IN THE 1795 PARTS PACKAGE

PLUMBING DIAGRAM, 1795

COMPONENTS

4741-236	Drain Tee, X2
4741-237	Elbow, X2 (Hot Water Tank)
4741-238	Barbed Tee, X3
4741-239	Barbed Elbow, X2
4741-275	Ring Clamp, X16
406-00-375-02	3/8 I. D. Flexible Tubing (Cold)
406-00-375-03	3/8 I. D. Flexible Tubing (Hot)
406-00-500-01	3/8 I. D. Ridgid Tubing

NOTE: Tubing Sold By The Foot



NOTE: Snap Rings on all Tees & Elbows.

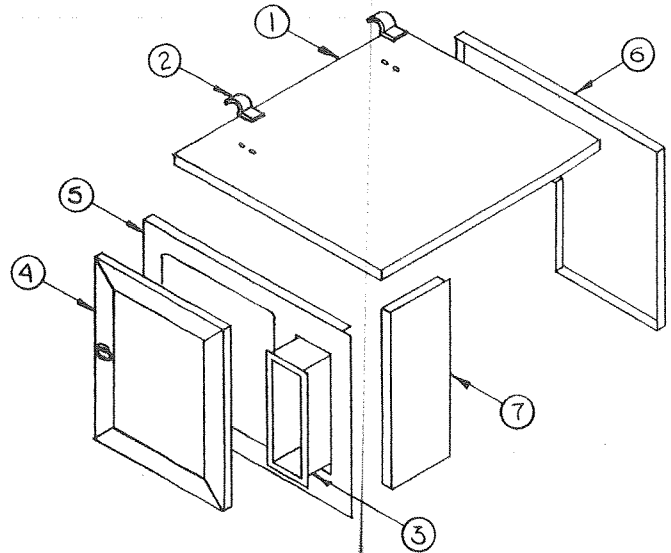
Chest of Drawers

1983 PARTS LIST

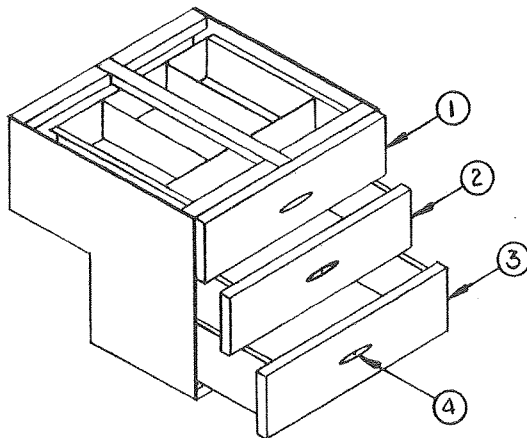


4741C523 CHEST OF DRAWERS CABINET 1770, 1780
4741A594 CHEST OF DRAWERS CABINET 1710, 1795

CODE	PART NO.	DESCRIPTION
1	4741A0621	Cabinet Top, 1770, 1780
	4741A4211	Cabinet Top, 1710, 1795
	1103E1008	Screw, X8 Cab. Top To Sides
2	4720A0721	Cooler Clip, M2
	1103B0608	Screw, X2 Each Clip
3	4737A419	Fire Extinguisher Bracket
	4734-186	Rivet, X6
	4737-555	Fire Extinguisher
4	4741B5188	Door Ass'y
	1203-895	Rivet, X4 Door To Cabinet
5	4739B059	Cabinet Side, Left
6	4741-422	Cabinet Side, Right
7	4737B250	Cabinet Spacer
8	*4741-964	Latch Support
	*4733-060	Rivet, Support To Cabinet
	*4733-6391	Latch & Strike Package
	*1203-895	Rivet, Latch To Support



*PARTS NOT IDENTIFIED ON DIAGRAM

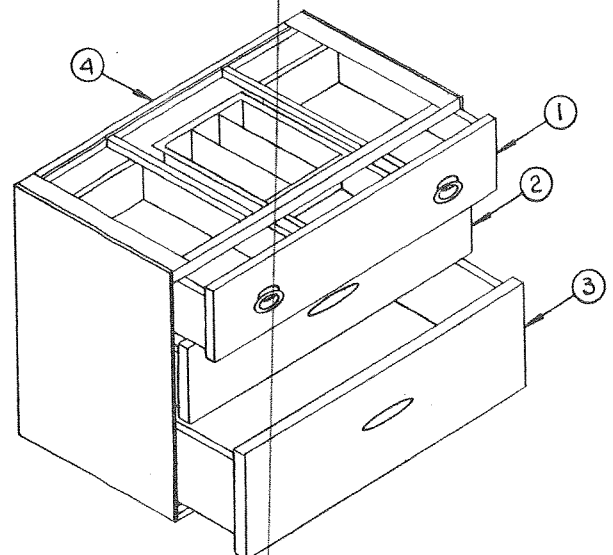


4739-688 CHEST OF DRAWERS (SMALL) 1770, 1780

CODE	PART NO.	DESCRIPTION
1	4739-682	Top Drawer Ass'y
	4737-889	Drawer Front
	4739-072	Silverware Drawer Only
2	4739-683	Middle Drawer Ass'y
	4739-899	Drawer Front
	4739-071	Drawer Only
3	4739-689	Bottom Drawer Ass'y
	4737-890	Drawer Front
	4737-900	Drawer Only
4	4739A050	Drawer Pull
	1022B0812	Screw, X2 Each Pull

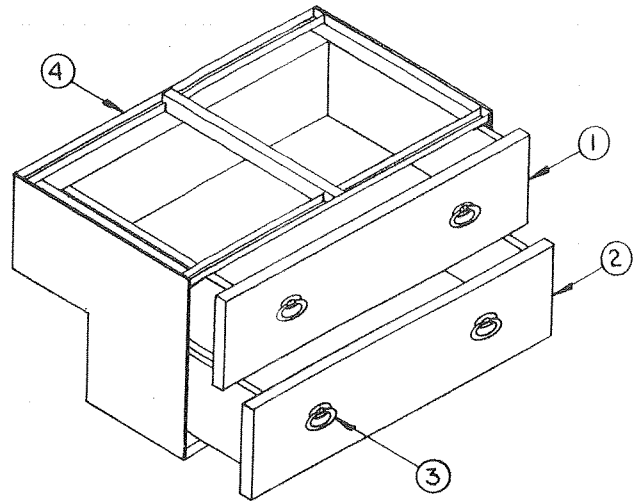
4741A584 CHEST OF DRAWERS, 1710, 1795

CODE	PART NO.	DESCRIPTION
1	4741A589	Top Drawer Ass'y
	4741A417	Drawer Front
	4739-071	Shallow Drawer Only
	4739-072	Silverware Drawer Only
	4741-389	Drawer Pull, X2
	1022B0804	Screw, X1 Each Pull
2	4739-691	Middle Drawer Ass'y
	4737-915	Drawer Front
	4741-387	Drawer Only
	4739A050	Drawer Pull
	1022B0812	Screw, X2
3	4739-692	Bottom Drawer Ass'y
	4737-915	Drawer Front
	4741-386	Drawer Only
	4739A050	Drawer Pull
	1022B0812	Screw, X2
4	4741A396	Chest Side, X2
	1203-864	Rivet, X32
	4741A585	Top Shelf Ass'y
	4741A586	Second Shelf Ass'y
	4741B587	Third Shelf Ass'y
	4741A588	Bottom Shelf Ass'y



4739C550 CHEST OF DRAWERS, 1790

CODE	PART NO.	DESCRIPTION
1	4741A590	Top Drawer Ass'y
	4741A807	Drawer Front
	4741-387	Drawer Only
2	4741A591	Bottom Drawer Ass'y
	4741A418	Drawer Front
	4741-386	Drawer Only
3	4741-389	Drawer Pull, X2 Each Drawer
	1022B0804	Screw, X1 Each Pull
4	4739A077	Chest Side, X2
	1203-883	Rivet, X16
	4739A554	Top Shelf Ass'y
	4739A555	Middle Shelf Ass'y
	4741-588	Bottom Shelf Ass'y



SEAT FRAME ASSEMBLIES

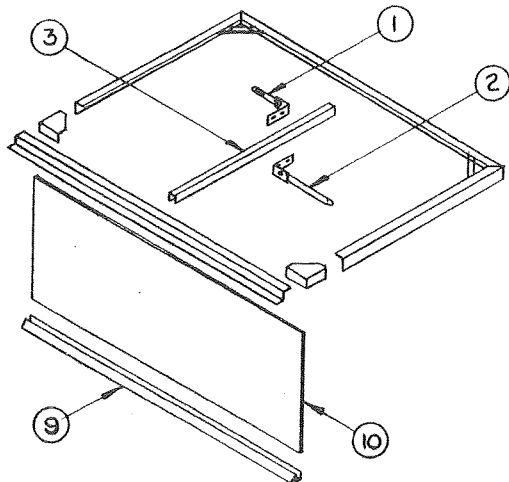
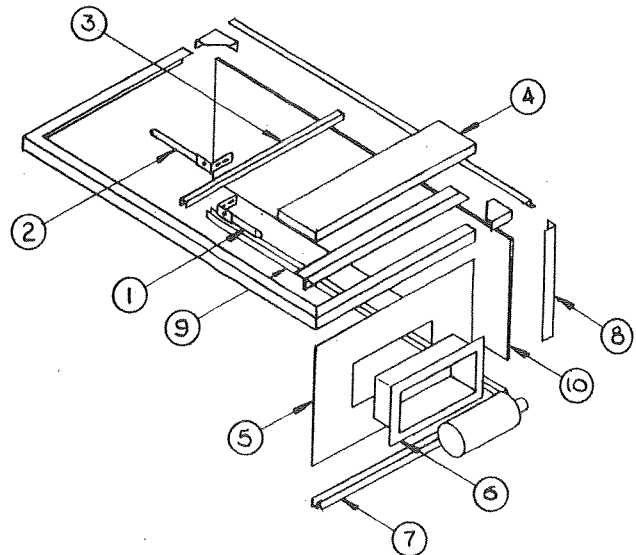
CURBSIDE:

4737E516 1767, 1769, 1760, 1765
4741A573 1768
4741B512 1770, 1780
4733G555 1790
4733F551 1710, 1795

ROADSIDE:

4741B511 1767, 1768, 1769, 1770, 1780
4733F5828 1760, 1765
4733G556 1790
4733F582 1710, 1795

CODE	PART NO.	DESCRIPTION
1	4741-348	Support Arm
	*1203B221	Rivet, X1 Each Arm
	*435-00-000-07	Velcro Hook (Sold Per Foot)
	*4739-295	Angle Bracket
	*4733-060	Rivet, X2 Arm To Support
2	4734-386	Long Support Arm
	*1203B221	Rivet, X1 Each Arm
	*4739-295	Angle Bracket
	*4733-060	Rivet, X2 Arm To Support
3	4741B041	Cushion Support
	*4733-060	Rivet, X2 Support To Frame
4	4739B215	Seat Extension Top (1767, 1769, 1760, 1765 Only)
	1103E1008	Screw, Top To Frame
5	4737C296	Side Panel, 1767, 1769, 1760, 1765
	4739-329	Side Panel, 1768



CODE	PART NO.	DESCRIPTION
6	4737A419	Fire Extinguisher Bracket (1767, 1768, 1769, 1760, 1765 Only)
	*4734-186	Rivet, X6
	1202B026	Washer, X6
	4737-555	Fire Extinguisher
7	4742-039	Side Floor Trim, Curbside 1767, 1768, 1769, 1760, 1765
8	4737B357	Support Angle
	*4734-186	Rivet
	*1202B026	Washer
9	4737C353	Front Floor Trim, Curbside 1767, 1768, 1769, 1760, 1765
	4737A315	Front Floor Trim, Roadside 1767, 1768, 1769, 1760, 1765
	4737A202	Front Floor Trim, X2 1770, 1780, 1710 1795
	4737B316	Front Floor Trim, Curbside 1790
	4737A249	Panel Divider
	4737B353	Front Floor Trim, Roadside 1790
10	4714A4501	Universal Wall Panel (48"X18 1/8")

*PARTS NOT IDENTIFIED ON DIAGRAM

Canvas Ass'ys
Cushions Ass'ys
Backrests Ass'ys

4716-9021

335.43

1983

PARTS LIST



	CANVAS ASSEMBLIES				
	FRONT CANVAS	REAR CANVAS	LARGE WINDOW	SMALL WINDOW	DOOR SEAL
1767 "Columbia"	4723A704I	4723A704I	4724A715I	4724B716I	4724D683I
1768 "Jamestown"	4723A704I	4724C567I	4724A715I	4724B716I	4724D683I
1769 "Jamestown Limited"	4723A704I	4724C567I	4724A715I	4724B716I	4724D683I
1760 "Colonial"	4727T682I	4724D681I	4724C680I	4723B616I	4724D683I
1765 "Colonial XL"	4727T682I	4727T682I	4724C680I	4723B616I	4724D683I
1770 "Royale"	4724D674I	4724D681I	4727T680I	4728D687I	4728D685I
1780 "Sun Valley"	4727T682I	4727T682I	4727T680I	4728D687I	4728D685I
1790 "Shenandoah"	4727T682I	4727T682I	4724B677I	4724B568I	4724C569I
1710 "Sequoia"	4724D674I	4727T682I	4724B677I	4724B568I	4724C569I
1795 "Williamsburg"					
Ser. Nos. 100-1100	4724-747I	4724-746I	4724-749I	4724-768I	4724-748I
Ser. Nos. 1101-(up)	4724A747I	4724A746I	4724A749I	4724A768I	4724A748I

NOTE: ON MODEL 1795 W/"EVOLUTION 3"
SERIAL NOS. 1000 THRU 1100
1225P327 PLASTIC ZIPPER-PIN HALF
1225P328 PLASTIC ZIPPER-SLIDER HALF

SER. NO'S. 1101 & UP
1225U339 METAL ZIPPER-PIN HALF
1225U338 METAL ZIPPER-SLIDER HALF

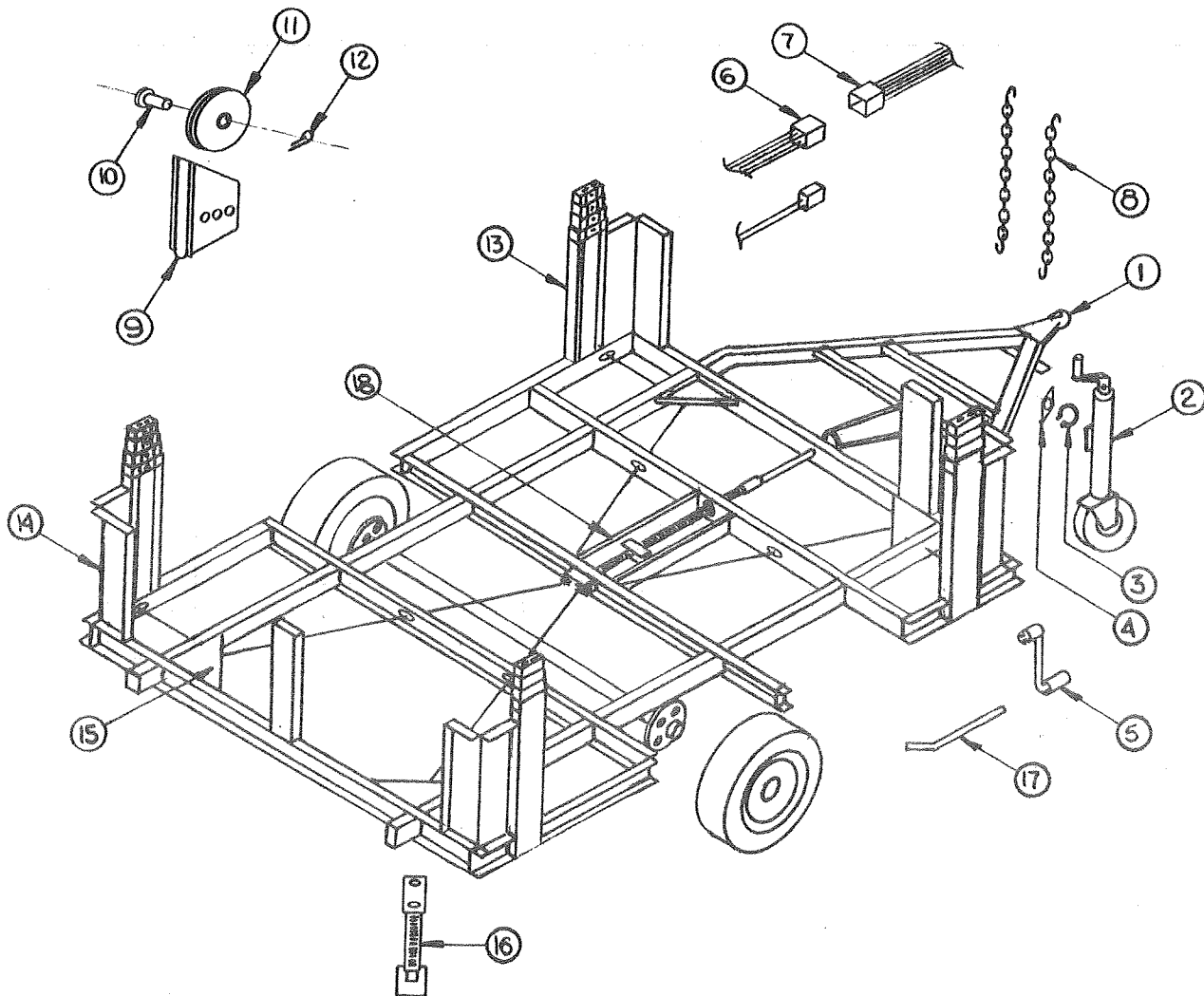
1225-419 ZIPPER PULL (USED ON PLASTIC & METAL)

	EVOLUTION 3 ASSEMBLIES				
	FRONT CANVAS	REAR CANVAS	LARGE WINDOW	SMALL WINDOW	DOOR SEAL
1767 "Columbia"	4724A746I	4724A746I	4724-776I	4724-777I	4724-773I
1768 "Jamestown"	4724A746I	4724-778I	4724-776I	4724-777I	4724-773I
1769 "Jamestown Limited"	4724A746I	4724-778I	4724-776I	4724-777I	4724-773I
1760 "Colonial"	4724A746I	4724-779I	4724-775I	4724-774I	4724-773I
1765 "Colonial XL"	4724A746I	4724A746I	4724-775I	4724-774I	4724-773I
1770 "Royale"	4724A747I	4724-779I	4724-770I	4724-771I	4724-772I
1780 "Sun Valley"	4724A746I	4724A746I	4724-770I	4724-771I	4724-772I
1790 "Shenandoah"	4724A746I	4724A746I	4724A749I	4724A768I	4724A748I
1710 "Sequoia"	4724A747I	4724A746I	4724A749I	4724A768I	4724A748I

*Order Complete "Evolution 3" Packages By the Following Numbers:

4714-714 "Evolution 3" Set for 1767	4714-718 "Evolution 3" Set For 1770
4714-715 "Evolution 3" Set For 1769, 1768	4714-713 "Evolution 3" Set For 1780
4714-716 "Evolution 3" Set For 1760	4714-719 "Evolution 3" Set For 1790
4714-717 "Evolution 3" Set For 1765	4714-723 "Evolution 3" Set For 1710

	CUSHION AND BACKREST ASSEMBLIES			
	CUSHIONS		BACKRESTS	
	ASSEMBLY	COVER	ASSEMBLY	COVER
1767 "Columbia"	4714A733I	4714A735I	4714A736I	4714A737I
1768 "Jamestown"	4723A700I	4723B015I	4724D617I	4723D603I
1769 "Jamestown Limited"				
1760 "Colonial"	4724F527I	4725P555I	4724F528I	4725P572I
1765 "Colonial XL"				
1770 "Royale"	4724A738I	4723A038I	4723C608I	4723C632I
1780 "Sun Valley"	4733E663I	4728G625I	4733E664I	4728G624I
1790 "Shenandoah"	4725N528I	4725N556I	4725N582I	4725N569I
1710 "Sequoia"	4723B661I	4723B016I	4723B663I	4723B018I
1795 "Williamsburg"	4724D641I	4723D602I	4724D642I	4723D606I
(Tub Cushion)	4724F544I	4724F235I		



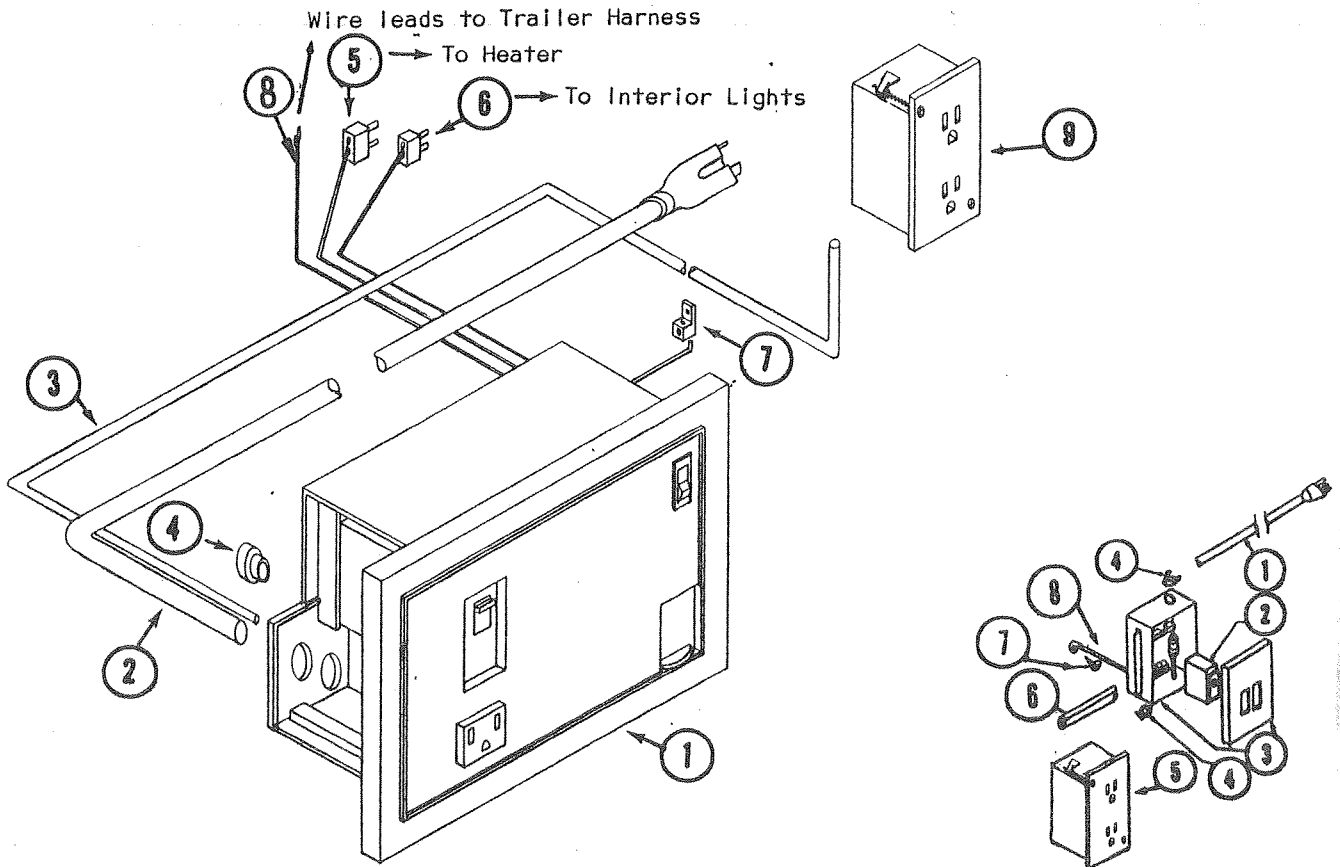
CHASSIS ASSEMBLY (NOT SOLD AS A UNIT)

CODE	PART NO.	DESCRIPTION
1	4730A3561	Coupler
	*4714-2211	Coupler Repair Kit
	*4771-263	Hitch Pin
	*4732A479	Safety Pin
2	4720B6661	Tongue Jack Ass'y
	*4714-282	Tongue Jack Handle Kit
3	4720A3341	Snap Ring
4	4720A3331	Jack Bracket
5	4720B5211	Crank Handle
6	4735C6751	Wire Harness
	*4735-6871	Power Harness
7	4735C6741	Pigtail
8	4720C3031	Safety Chain
9	4732C367	Adjustable Pulley Bracket
10	4720C157	Short Pin

CODE	PART NO.	DESCRIPTION
11	4715A537	Pulley & Bearing Ass'y
12	1204B108	Cotter Pin, M4
13	*See Page 29 For Lift Ass'y Detail	
14	4733B154	Corner Bulkhead (Steel)
		All Except 1770, 1780
	4741-008	Corner Bulkhead (Aluminum)
		1770, 1780
15	4739-246	Corner Gusset
16	4720A0731	Stabilizer Ass'y (Complete)
	*4720-0261	Foot & Spring Ass'y
17	4735C5951	Stabilizer Handle
18	4720C2371	Guide Channel
19	*(See Page 6 For Axle & Spring Detail)	
20	*(See Page 7 For Wheel Ass'y's. & Ass's's.)	

*PARTS NOT IDENTIFIED ON DIAGRAM

WHEELWELL ASSEMBLY (NOT SHOWN)
4741A331 ALL MODELS



ELECTRICAL SYSTEM 1760, 1765, 1770, 1780,
1790 & 1710

CODE	PART NO.	DESCRIPTION
1	4741-5241	Power Converter
	*1143B1008	Screw (Converter to Panel)
	4741-0671	Converter Panel
	*4734-186	Rivet (Converter Panel to Wall)
2	4733-1651	Power Cord, 25 Ft.
	*4734-435	Snap Bushing, 1 1/2"
	*1201-873	Clamp
	*4739-460	Screw
3	4739-228	Romex, 1760 & 1765
	4733-014	Romex, 1770 & 1780
	4733-016	Romex, 1790 & 1710
4	4734-365	Strain Relief, 7/8" - 90°
5	4735B6901	Heater Harness
	*4734-377	Snap Bushing, 1"
6	4735B6731	Light Harness Extension
7	4737-130	Squeeze Terminal (Ground Wire)
8	4735A694	Wire Lead Ass'y, Black
	4735A695	Wire Lead Ass'y, White
	*1216-207	Wire Nut, Red
	*1216-208	Wire Nut, Yellow
9	4710B355	115 VAC Receptacle (Note: Box Is Assembled With Special Tool)

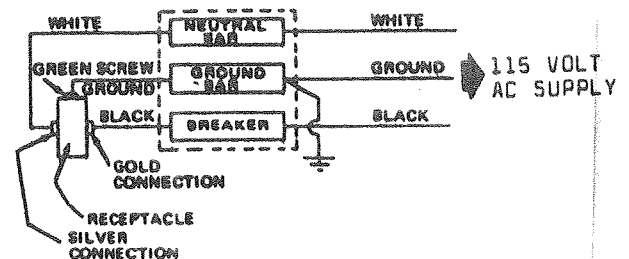
*PARTS NOT INDICATED ON DIAGRAM

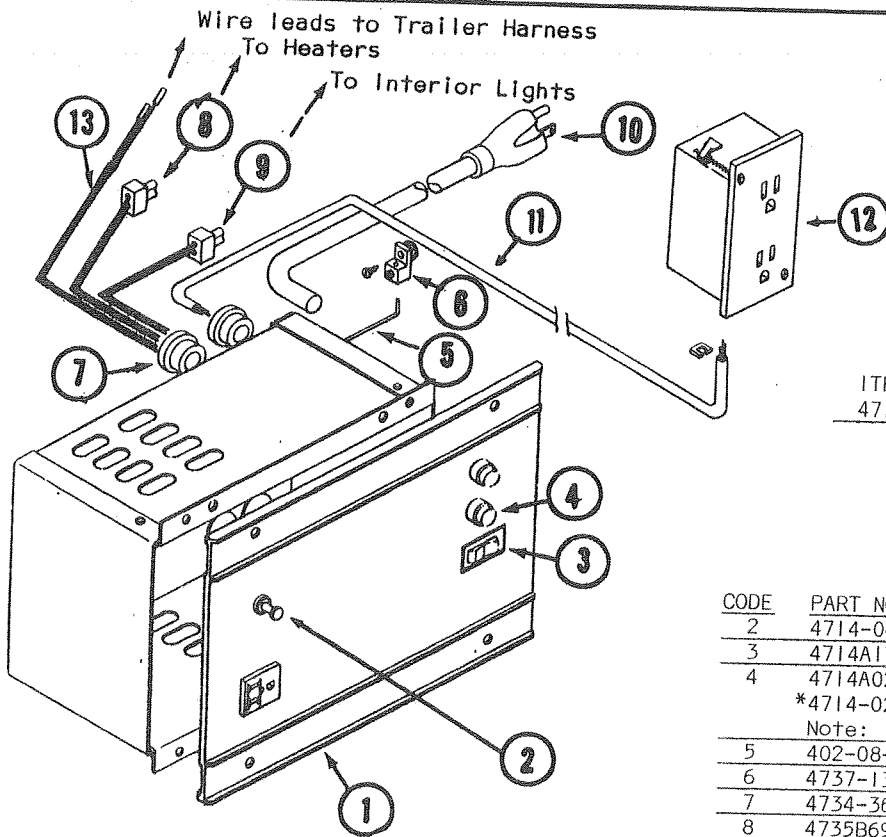
ELECTRICAL SYSTEM 1767

CODE	PART NO.	DESCRIPTION
1	4733-1651	Power Cord
2	4731A1321	Breaker Switch
3	4731B131	Breaker Box
4	1216-451	Connector
5	4710B355	115 VAC Receptacle (Note: Box Is Assembled With Special Tool)
6	4734A019	Romex
7	4733-411	Tek Screw
8	402-08-000-01	Copper Ground Wire, 4 Feet
	*4737-130	Squeeze Terminal

*PART NOT INDICATED ON DIAGRAM

NOTE: 3 AMP CONVERTER 4737-8281 AVAILABLE AS AN ACCESSORY.





ITEM NOS. 2, 3 & 4 APPLY ONLY TO THE
4714-5551 POWER CONVERTER "CARSON"

ELECTRICAL SYSTEM 1795

CODE	PART NO.	DESCRIPTION
1	4741-5551	Power Converter "Carson" Note: Used on Serial Nos. 1000 Thru 1326
	*1143B1008	Screw (Converter To Panel)
	4741-4511	Converter Panel
	*4734-186	Rivet (Converter Panel To Wall)
	4741A5551	Power Converter "Progressive Dynamics" Note: Used on Serial Nos. 1327 And Up.

CODE	PART NO.	DESCRIPTION
2	4714-0471	Breaker Switch
3	4714A179	Converter/Battery Switch
4	4714A0271	Fuse Holder
	*4714-025	Fuse Holder Cap
	Note: Use 14 AMP Fuse	
5	402-08-000-01	Copper Ground Wire, 3 Feet
6	4737-130	Squeeze Terminal (Ground Wire)
7	4734-365	Strain Relief, 7/8" - 90°
8	4735B6901	Heater Harness
9	4735B6731	Light Harness Extension
10	4733-1651	Power Cord, 25 Ft.
	*4734-435	Snap Bushing, 1 1/2"
	*1201-873	Clamp
	*4739-460	Screw
11	4741-452	Romes
12	4710B355	115 Vac Receptacle (Note: Box Is Assembled With Special Tool
13	4735A694	Wire Lead Ass'y, Black
	4735A695	Wire Lead Ass'y, White
	*1216-207	Wire Nut, Red
	*1216-208	Wire Nut, Yellow

*PARTS NOT INDICATED ON DIAGRAM

WIRING COLOR CODE

White ----Ground
Blue-----Electric Brake
Yellow----Left Turn & Stop
Red-----Back Up
Brown----Tail & Side Marker
Green-----Right Turn & Stop

REFER TO THE 1983 OWNER'S MANUAL
FOR WIRING DIAGRAM

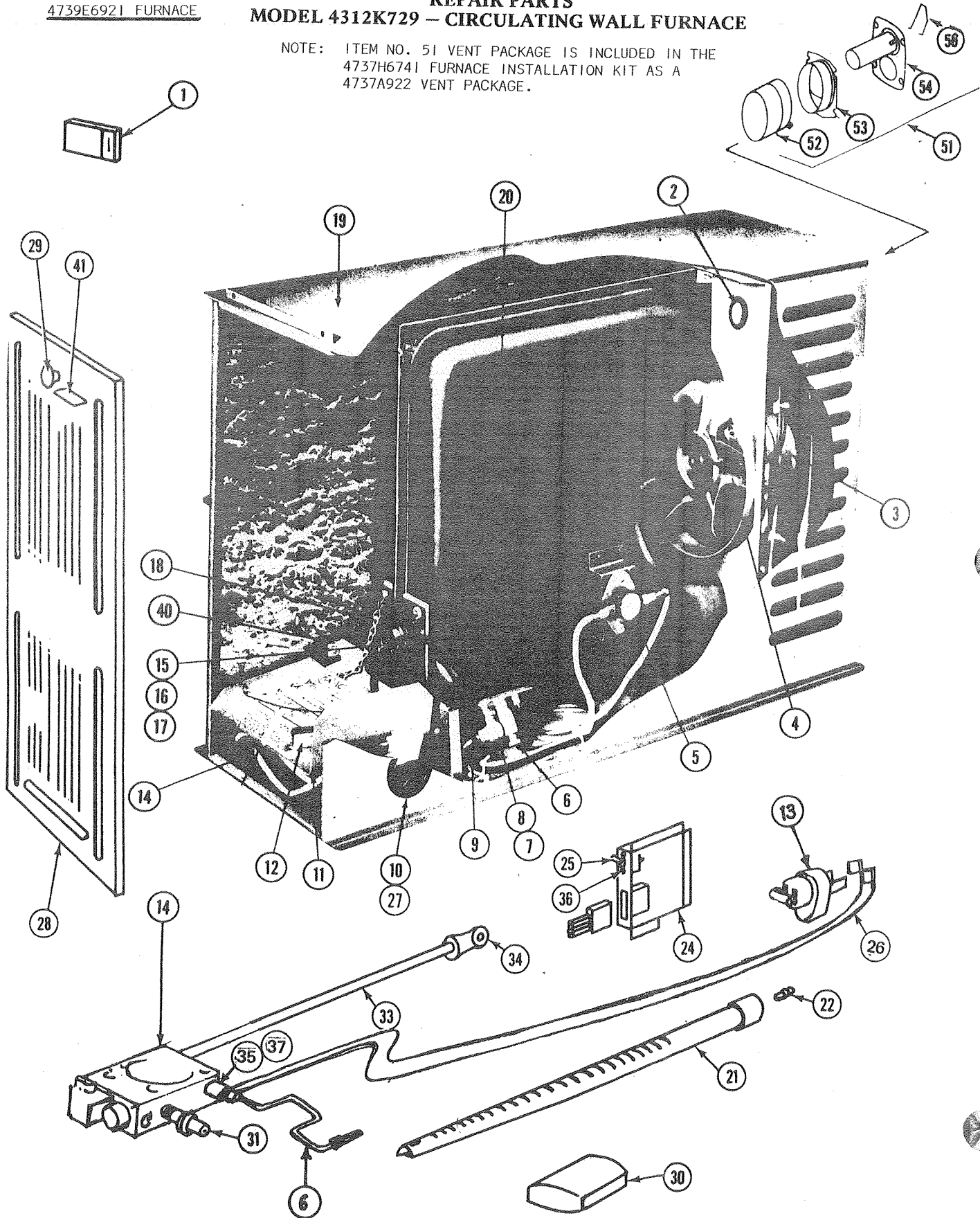
BULB REPLACEMENT

INTERIOR, #1141
SIDE MARKER, #194
BACKUP, #1156
STOP/TURN, #1157
TAG LIGHT, #67
PATIO LIGHT, #1003

4739E6921 FURNACE

REPAIR PARTS MODEL 4312K729 - CIRCULATING WALL FURNACE

NOTE: ITEM NO. 51 VENT PACKAGE IS INCLUDED IN THE 4737H6741 FURNACE INSTALLATION KIT AS A 4737A922 VENT PACKAGE.





1983 PARTS LIST

Furnaces

4739E6921 FURNACE, MODEL 4312K729, 12,000 BTU

CODE	NO. REQ.	PART NUMBER	DESCRIPTION
1	1	4312K3221	Thermostat (Brown, Adj. Ant. W-R No. 1D30)
2	1	4312K3081	Fan Switch (C-125° 0-100° TI No. 20601F29)
3	1	4312K5111	Motor (12V DC)
4	1	4312K3051	Fan Blade (5-5/8 D. 40° P. 5 Blade Torin No. OUH5740-5)
5	1	4312K3591	Limit Switch (0-210° C-170° TOD No. 60T11-201036, TI No. 20601L)
6	1	8622K3141	Thermocouple
7	1	4312K3241	Pilot Burner
8	1	9969A0101	Pilot Orifice (Elbow Swivel .010)
9	1	4312K1541	Pilot Tube (Formed)
10	1	1204-036	Snap Bushing (1-5/8 Dia.)
11	1	4312-145	Valve Cover
12	1	4312K3231	Igniter (Panasonic No. EFI-AA25)
13	1	4312K6001	Cut-Off Element
14	1	4312K3501	Gas Valve (1/4 In & Out G-C No. RV28SA54)
15	1	4312K5021	Burner Door (w/Cap, Glass & Gasket)
16	1	4312K1991	Gasket Pkg. (Burner Door & Pilot)
17	1	4312K5121	Lighter Cap (w/Rod, Glass & Gasket)
18	1	4312-349	Chain (6" Long)
19	1	4312K5851	Casing Assembly
20	1	4312K5751	Heat Exchanger (w/Burner Door & Gasket)
21	1	4312K3271	Burner (w/Air Shutter)
22	1	9904K0381	Orifice (.038 Dia.)
24	1	4312K5261	Junction Box Complete
25	1	4230K3611	Toggle Switch (On/Off 2 Terminals Carling No. 110-73)
26	1	4312K601	Wire and Terminal Assembly
27	1	1204-035	Snap Bushing (1-1/4 Dia.)
28	1	4312K5881	Front Panel (Dark Brown with Knob, Latch & Brackets)
29	1	4312K3201	Knob & Latch Pkg.
30	1	4312L561	Single Parts Pkg.
31	1	1215-415	Half Union (5/8 - 18 Flare x 1/4 - 18 NPT - Brass)
33	1	4312K007	Pipe Nipple (1/8 x 14" Long)
34	1	1210-001	90° Elbow (1/8 x 1/8 Pipe Thread)
35	1	4312K7031	Adapter
36	1	4230-362	Indicating Plate (On/Off)
37	1	4312K702	Ring
40	1	4312-148	Retainer (Valve Cover)
41	1	2228-364	Coleman Logo

ACCESSORIES:

50	51	52	53	54	56
SERVICE ADAPTER PLUG	VENT PKG.	ADJ. SLEEVE	VENT COLLAR	VENT HOOD	WIRE STOP
4316-611	4312K6301	1"-3"	4312K619	4312-602	4312-318
	4312K6311	3"-6"	4312K620	4312-603	4225C609
					4312-318

4741-6421 HYDRO-FLAME FURNACE, 16,000 BTU
 *4737B8041 HYDRO-FLAME FURNACE KIT
 REFERENCE: TECHNICAL SERVICE BULLETIN TS:82-7

ALL WARRANTY SERVICE AND PARTS PROCUREMENT FOR THIS ACCESSORY WILL BE HANDLED DIRECTLY BY:

HYDRO-FLAME CORPORATION
 1874 PIONEER ROAD
 SALT LAKE CITY, UTAH 84104

PHONE: 801/872-4621

4741-5531 HOT WATER HEATER, 4 GALLON, QUICK RECOVERY
 REFERENCE: TECHNICAL SERVICE BULLETIN TS:82-2

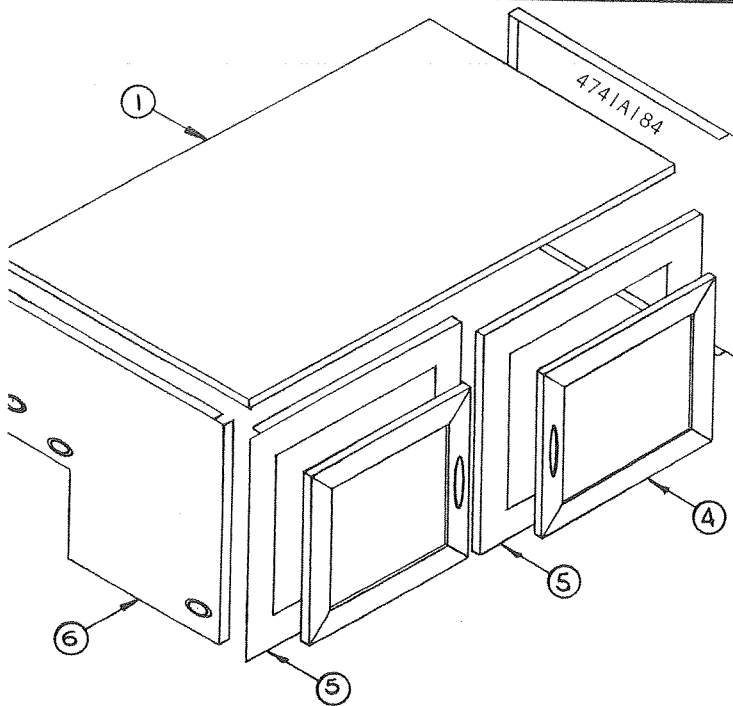
ALL WARRANTY SERVICE AND PARTS PROCUREMENT FOR THIS ITEM WILL BE HANDLED DIRECTLY BY:

ATTWOOD MOBILE PRODUCTS
 4750 HIAWATHA DRIVE
 ROCKFORD, ILLINOIS 61101

PHONE: 815/877-7461

Lower Galleys
Coolers

1983
PARTS LIST



4741A608 LOWER GALLEY ASSEMBLY 1767, 1769
4739A667 LOWER GALLEY ASSEMBLY 1768
4737F588 LOWER GALLEY ASSEMBLY 1760, 1765
4741B566 LOWER GALLEY ASSEMBLY 1770

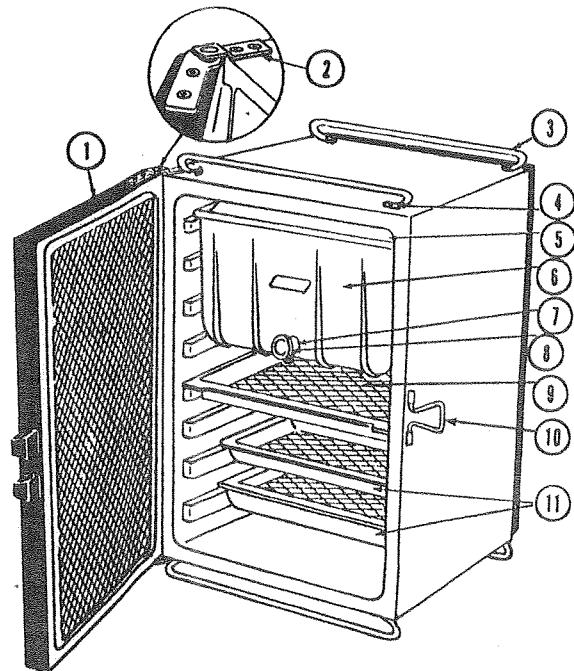
CODE	PART NO.	DESCRIPTION
1	4739C195	Lower Galley Top 1767, 1769, 1760, 1765
	4737A876	Lower Galley Top 1768
	4737B107	Lower Galley Top 1770
	*1103B0806	Screw, Top To Cabinet
2	*4741B041	Cushion Support 1770 Only
	*1016B1018	Screw, X2 Each Support
	*1201B695	Nut, X2 Each Support
3	*4731A136	Angle, X2 All Except 1770
	*4741-221	Angle, X2 1770
	*1103B0806	Screw, X2 Each Angle
4	4739B532	Door Ass'y X2 1767, 1768, 1769
	4741B518	Door Ass'y X2 1760, 1765, 1770
	1203-895	Rivet, Door To Cabinet
5	4741-957	Galley Front, Left
	4741A036	Galley Front Right
6	4741A038	Cabinet Side, Left
	*4734-435	Bushing
7	*4733D054	Latch Support, X2
	*4733-060	Rivet, Support To Cabinet
	*4733-6391	Latch & Strike Package
	*1203-895	Rivet, Latch To Support

*PARTS NOT INDICATED ON PARTS DIAGRAM

4741-999 COOLER (S/A 5757A709) 1770, 1780, 1790, 1710, 1795

CODE	PART NO.	DESCRIPTION
1	5257A5291	Door Assembly
2	5257A5151	Hinge Plate
	*5257-1951	Hinge Support (Door)
	*5216-140	Screw, Hinge Support
3	5257A111	Leg, X4
4	1116B0806	Screw, X12
5	5257-1181	Ice Container Lid
6	5257A1171	Ice Container, Less Lid and Faucet
7	1212-0121	Grommet (Ice Tub)
8	5217-5801	Faucet Complete
	*5500B263	Nut
9	5257-1101	Drip Tray
10	5257-1821	Latch & Pivot
11	5257-1141	Small Tray
	*8B247	Lacquer, Beige

*PARTS NOT INDICATED ON DIAGRAM



4739A279 COOLER (S/A 5286K710) 1760, 1765

CODE	PART NO.	DESCRIPTION
1	Number Not Assigned	
2	5286-1165	Tray
3	5214B5071	Drain Assembly
4	5286-1025	Lid Assembly
5	1212A0355	Drain Washer

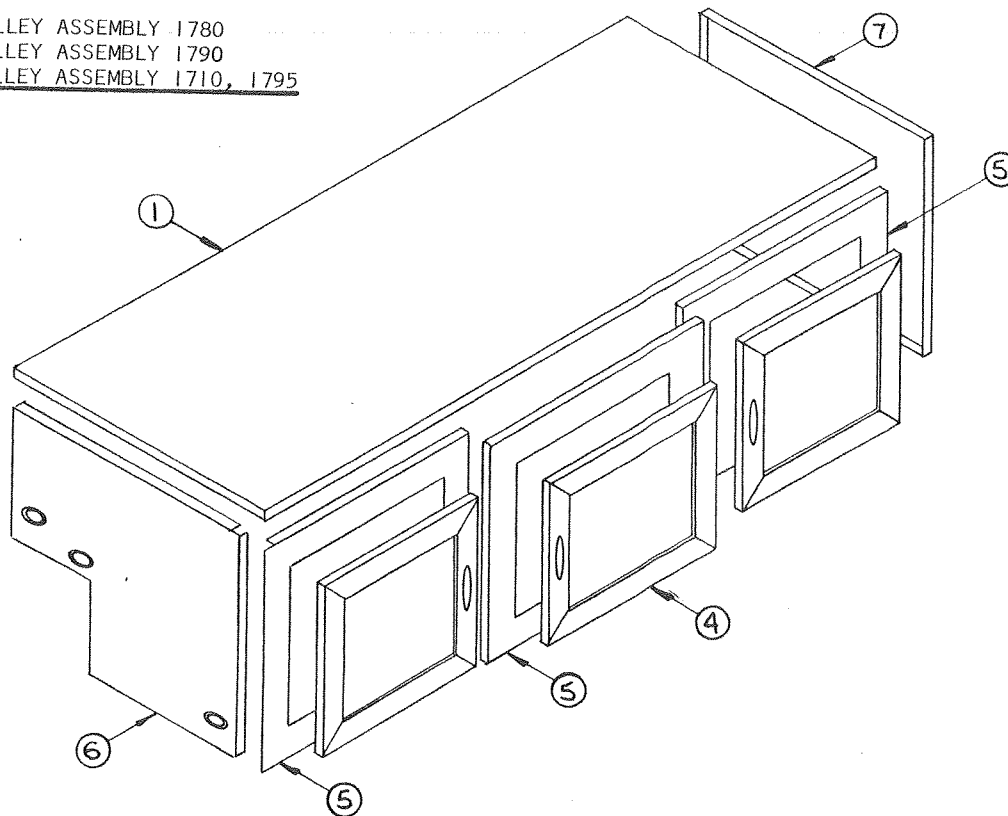
PARTS DIAGRAM NOT AVAILABLE

5283-703 COOLER 1767, 1769

CODE	PART NO.	DESCRIPTION
1	5284-5331	Removable Lid, White

PARTS DIAGRAM NOT AVAILABLE

4741B516 LOWER GALLEY ASSEMBLY 1780
4739D515 LOWER GALLEY ASSEMBLY 1790
4739D561 LOWER GALLEY ASSEMBLY 1710, 1795



CODE	PART NO.	DESCRIPTION
1	4741B040	Lower Galley Top 1780
	4734F247	Lower Galley Top 1790
	4739D091	Lower Galley Top 1710, 1795
	*1103B0806	Screw, Top To Cabinet
2	*4741B041	Cushion Support, X2 1780 Only
	*1016B1018	Screw, X2 Each Support
	*1201B695	Nut, X2 Each Support
3	*4741-221	Angle X4 Cabinet To Wall
	*1103B0806	Screw, X2 Each Angle
4	4741B518	Door Ass'y, X3
	1203-895	Rivet, Door To Cabinet

CODE	PART NO.	DESCRIPTION
5	4741-957	Galley Front, Left
	4741A036	Galley Front, Center
	4741A037	Galley Front, Right
6	4741A038	Cabinet Side, Left 1780, 1790
	4741A167	Cabinet Side, Left 1710, 1795
	*4734-435	Bushing
7	4741A184	Cabinet Side, Right 1710, 1795
8	*4733D054	Latch Support, X3
	*4733-060	Rivet, Support To Cabinet
	*4733-6391	Latch & Strike Package
	*1203-895	Rivet, Latch To Support

*PARTS NOT INDICATED ON DIAGRAM

CUSHION DIMENSIONS

3" Foam 16 13/16x38 3/4	1767, 1768, 1769 1760, 1765, 1770 1780, 1710, 1795
3" Foam 16 13/16x56 1/4	1790
3" Foam 23 1/8x30 5/8	1795 (Tub Cushion)

BACKREST DIMENSIONS

3" Foam 19 1/2x38 3/4	1767, 1768, 1769 1760, 1765, 1770 1780, 1710, 1795
3" Foam 19 1/2x38 3/4	1790

MATTRESS DIMENSIONS

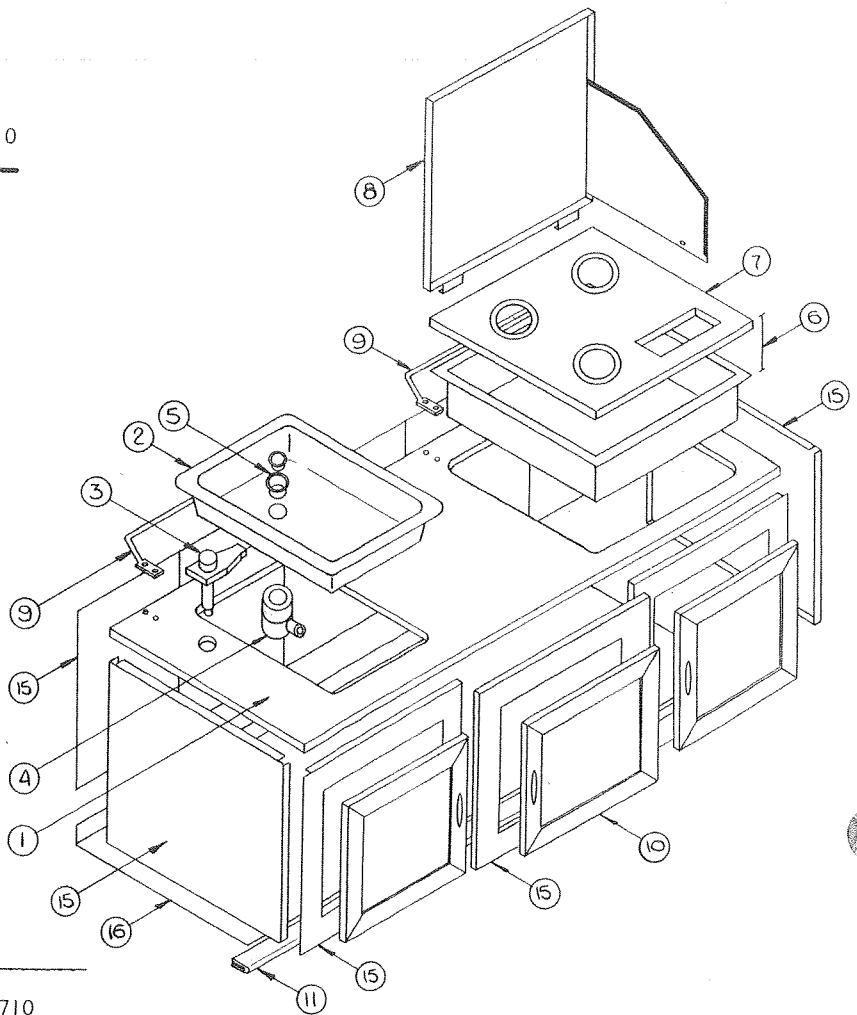
3" FOAM		
FRONT	51 x 71	1767, 1768, 1769 1760, 1765
REAR	30 x 71	1767, 1760, 1765
4" FOAM		
FRONT	50 3/4 x 71	1780, 1790 74 x 71
REAR	30 x 71	1770, 1710, 1795 1770
	50 3/4 x 71	1780, 1790, 1710 1795

Upper Galleys

1983 PARTS LIST



4741B521 UPPER GALLEY ASSEMBLY 1780
 4733H699 UPPER GALLEY ASSEMBLY 1790, 1710
4741B544 UPPER GALLEY ASSEMBLY 1795



CODE	PART NO.	DESCRIPTION
1	4741B0571	Upper Galley Top 1780
	4739E1041	Upper Galley Top 1790, 1710
	4741B1591	Upper Galley Top 1795
	*4737-847	Screw, Top To Cabinet
2	4710C0301	Sink, Stainless 1780
	4710D0301	Sink Porcelain 1790, 1710, 1795
3	4734-0161	Faucet - Note: X2 on 1795
	*4741-170	"H" Decal
	*4741-171	"C" Decal
	*1103B0814	Screw
	*4714A0461	Faucet Repair Kit
	*4714-2531	Bottom Cap, Basket & Valve Disc
	4714-038	High Pressure Hose, Sold Per Foot (406-00-375-02)
4	4734A0671	Drain Trap
	4734-329	Gasket
	4714-277	Drain Hose, 3/4" Standard Garden Hose, Sold Per Foot (406-00-075-38)
5	4730D3151	Basket Strainer
	(INCLUDES)	Crumb Cup
6	4739A2931	Stove, Chrome 3 Brnr 1780
	4739B2931	Stove, Porcelain 3 Brnr 1790, 1710 1795
	4739-419	Vinyl Cap
7	4714-4631	Cooktop, Chrome 3 Brnr 1780
	4714-4651	Cooktop, Porcelain 3 Brnr 1790 1710-1795
	*1226D153	Stud, X1
	*1203-867	Rivet, X2 Stud To Cooktop
8	4741A6031	Stove Cover, Porcelain (All)

CODE	PART NO.	DESCRIPTION
9	4734A0841	Towel Rack, 22 1/4" (All)
	4734A0991	Towel Rack, 14 1/2" (All)
	*1016B1018	Bolt
	*1201B695	Nut
10	4741B525	Door Ass'y, X3 (All)
	*1203-895	Rivet, X4 Door To Cabinet
11	4733B214	Galley Hinge
	4733-060	Rivet, X13 Hinge To Cabinet
12	406-00-001-53	Edge Molding (Sold By Foot) Around Holes For Hoses
13	4730A3431	Gas Hose, Flexible (All)
	4710G654	Gas Line, 40" Copper (All)
	1201-870	Clamp
14	*4733C045	Latch Support
	*4733-060	Rivet, Support To Cabinet
	*4733-6391	Latch & Strike Package
	*1203-895	Rivet, Latch To Support
15	4741A050	Upper Galley Front, Left* RIGHT
	4741A056	Upper Galley Front, Cntr.
	4741B048	Upper Galley Rear, X5
	4741C058	Upper Galley Rear, X1
	4737-837	Screw, Cabinet To Top
	4733-060	Rivet
16	4714B059	Upper Galley Bottom

*PARTS NOT IDENTIFIED ON DIAGRAM



1983 PARTS LIST

Mattress Ass'ys

Upper Galleys

4739A658 UPPER GALLEY ASSEMBLY 1767, 1769
 4737H5878 UPPER GALLEY ASSEMBLY 1760, 1765
 4741C521 UPPER GALLEY ASSEMBLY 1770

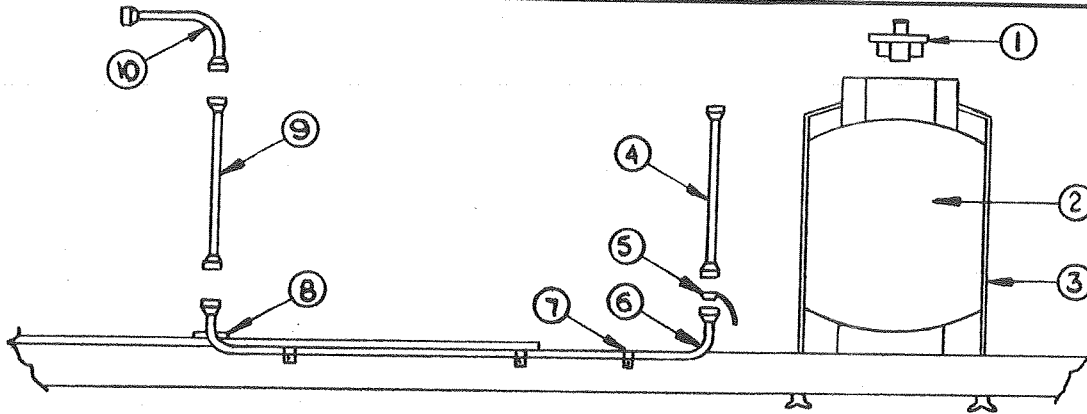
CODE	PART NO.	DESCRIPTION
1	4737D1131	Upper Galley Top 1767, 1769
	4737H0481	Upper Galley Top 1760, 1765
	4741C0571	Upper Galley Top 1770
	*4737-847	Screw, Top To Cabinet
2	4710C0301	Sink, Stainless 1767, 1769, 1770
	4710D0301	Sink, Porcelain 1760, 1765
3	4734-0161	Faucet
	*1103B0814	Screw
	*4714A0461	Faucet Repair Kit
	*4714-2531	Bottom Cap, Gasket & Valve Disc.
	*4714-038	High Pressure Hose, Sold Per Foot (406-00-375-02)
4	4734A0671	Drain Trap
	4734-329	Gasket
	*4714-277	Drain Hose, 3/4" Standard Garden Hose (406-00-075-38) Sold Per Foot
5	4730D3151	Basket Strainer
	(INCLUDES)	Crumb Cup
6	4739A2921	Stove, Chrome 2 Brnr 1767, 1769
	4739A2871	Stove, Porcelain 2 Brnr 1760, 1765
	4739A2931	Stove, Chrome 3 Brnr 1770
	*4739-413	Vinyl Cap
7	4714-4621	Cooktop, Chrome 2 Brnr 1767, 1769
	4714-4641	Cooktop, Porcelain 2 Brnr 1760, 1765
	4714-4631	Cooktop, Chrome 3 Brnr 1770
	*1226D153	Stud, X1
	*1203-867	Rivet, X2 Stud To Cooktop
8	4741-6261	Stove Cover, Porcelain 1760, 1765
	4741A6031	Stove Cover, Porcelain 1770

CODE	PART NO.	DESCRIPTION
9	4734A0841	Towel Rack, 22 1/4"
	4734A0991	Towel Rack, 14 1/2" 1770
	*1016B1018	Bolt
	*1201B695	Nut
10	4737E517	Door Ass'y X2 1767, 1769
	4741B525	Door Ass'y X2 1760, 1765, 1770
	*1203-895	Rivet, X4 Door To Cabinet
11	4737A106	Galley Hinge
	*4733-060	Rivet, X9 Hinge To Cabinet
12	406-00-001-53	Edge Molding (Sold By Foot) Around Holes For Hoses
13	4730A3431	Gas Hose, Flexible (All)
	4737B554	Gas Line, 34" Copper 1767, 1769, 1760, 1765
	4710G654	Gas Line, 40" Copper 1770
	1201-870	Clamp
14	*4733C045	Latch Support
	*4733-060	Rivet, Support To Cabinet
	*4733-6391	Latch & Strike Package
	*1203-895	Rivet, Latch To Support
15	4741A056	Upper Galley Front Panel, X2
	4741-051	Upper Galley Side Panel, X2
	4741B048	Upper Galley Rear Panel, X3
	4741-958	Upper Galley Rear Panel, X1
	*4737-837	Screw, Cabinet To Top
	*4733-060	Rivet
16	4737D254	Upper Galley Bottom

*PARTS NOT IDENTIFIED ON DIAGRAM

MATTRESS ASSEMBLIES				
	FRONT		REAR	
	ASSEMBLY	COVER	ASSEMBLY	COVER
1767 "Columbia"	4714A7481	4714A7491	4714A7381	4714A7391
1968 "Jamestown"	4723B6851	4723B0891	(none)	(none)
1769 "Jamestown Limited"				
1760 "Colonial"				
1765 "Colonial XL"	4723D6671	4723C0201	4724G5381	4724G5091
1770 "Royale"	4723D6661	4723C0191	4723D6681	4723C0211
1780 "Sun Valley"	4725K5391	4725K5381	4725K5391	4725K5381
1790 "Shenandoah"	4723D6651	4723B0231	4723D6651	4723B0231
1710 "Sequoia"	4724D5491	4724D5471	4723D5961	4723D6311
1795 "Williamsburg"	4724D6121	4723D5011	4725J6201	4725J6191

BED CUSHION ASSEMBLIES					
		ASSEMBLY	CUSHION	COVER	PATCH
		1769 "Columbia"	C.S.	4724-742	4714B7321
	R.S.	4724-743			
1765 "Colonial XL"	C.S.	4724A742	4714B7321	4714B7341	4739A6721
	R.S.	4724A743			

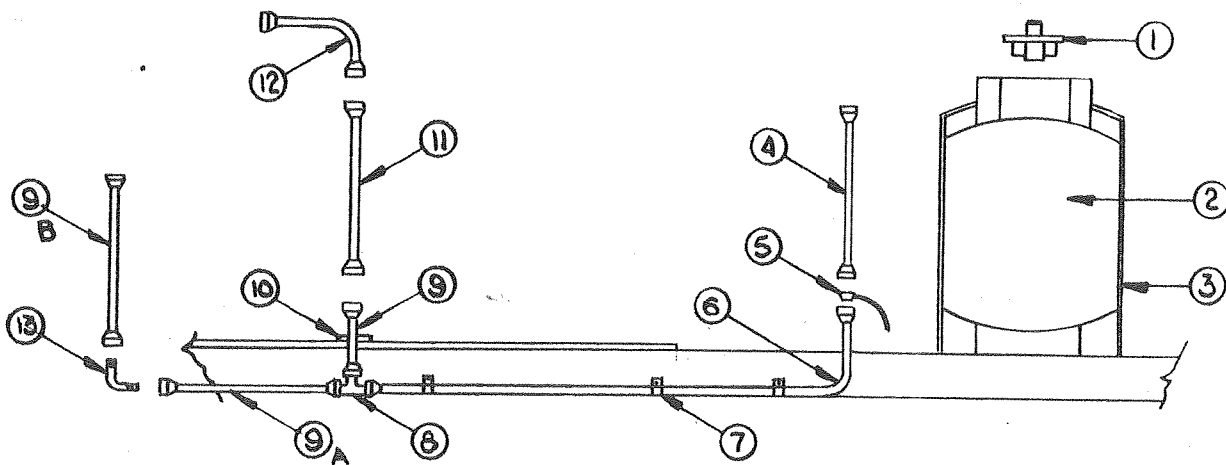


GAS SYSTEM, EXCEPT 1768, 1768 (NONE) & 1795 (SEE BELOW)

CODE	PART NO.	DESCRIPTION
1	4739A1291	Regulator
	*4734B3781	Regulator Cover
2	4733C6921	Gas Bottle Package, Complete With Regulator, Cover & Hose
	4720F529	Gas Bottle Only
3	4733F6281	Gas Bottle Mounting Package
4	4733A3991	Flexible Gas Hose
5	4733A388	Plastic Cap W/Chain
6	COPPER GAS SUPPLY LINE - 3/8" O.D.	
	4734A562	33 1/4", All Except 1770 & 1710
	4730C553	50 1/4", 1770 & 1710
	*4714-0711	Gas Line Package, 100" Length Includes (1) Bushing And (2) Flared Nuts

CODE	PART NO.	DESCRIPTION
7	1201-870	Clamp, (Rubber Coated)
	4739-425	Clamp (Uncoated)
	*4733-411	Tek Screw
8	4733A412	Bushing
9	4730A3431	Flexible Gas Hose
10	STOVE GAS LINE (COPPER) 3/8" O.D.	
	4737B554	34", 1767, 1769, 1760, 1765
	4710G654	40", 1770, 1780, 1790, 1710, 1795
	*4714-0711	Gas Line Package, 100" Length Includes (1) Bushing and (2) Flared Nuts

*PARTS NOT IDENTIFIED ON DIAGRAM.

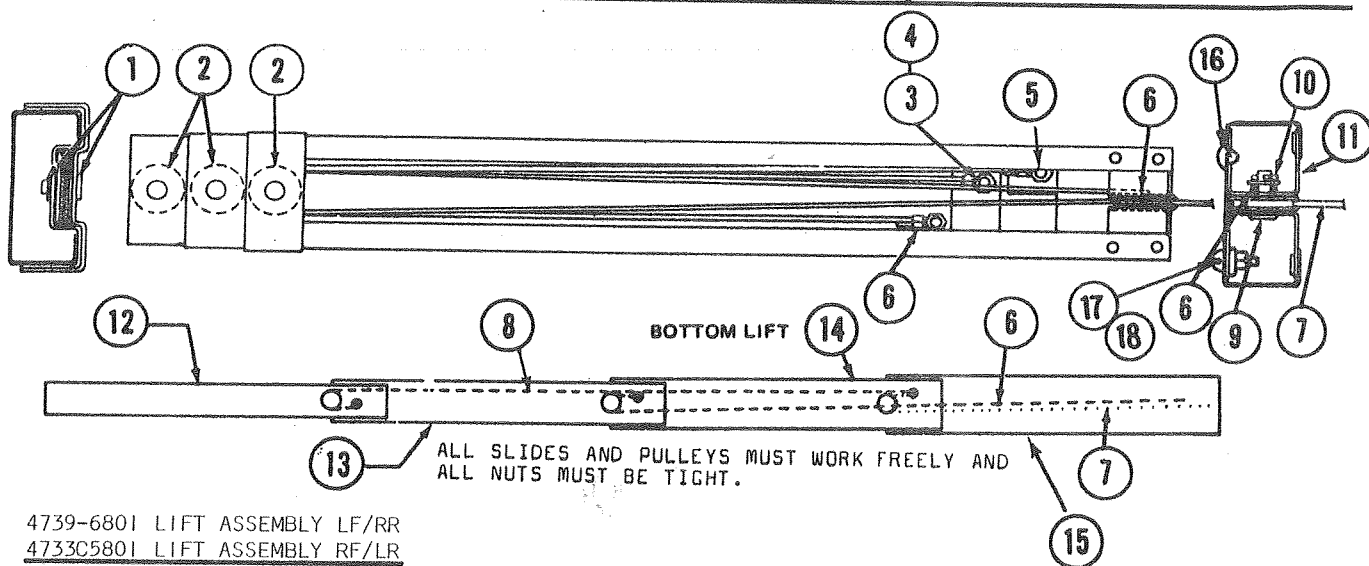


GAS SYSTEM, 1795

CODE	PART NO.	DESCRIPTION
1		(SAME AS SYSTEM ABOVE)
2		(SAME AS SYSTEM ABOVE)
3		(SAME AS SYSTEM ABOVE)
4	4737-8871	Flexible Gas Hose
5	4737-838	Plastic Cap W/Chain
6	COPPER GAS SUPPLY LINE - 1/2" O.D.	
	4734A555	24 1/2" Assembly Complete
	*1215-243	Flare Nut
	*231-00-500-21	1/2" O.D. Copper Tubing
7	1201-873	Clamp, (Rubber Coated)
	*4733-411	Tek Screw
8	1215-178	Tee

CODE	PART NO.	DESCRIPTION
9	COPPER GAS SUPPLY LINE - 3/8" O.D.	
	4737-670	16" Assembly Complete
9A	4741A602	133" Assembly Complete
9B	4734-551	17" Assembly Complete
	*4714-0711	Gas Line Package 100" Length Includes (1) Bushing And (2) Flare Nuts
10	4733A412	Bushing
11	4730A3431	Flexible Gas Hose
12	STOVE GAS LINE (COPPER) - 3/8" O.D.	
	4710G654	40" Assembly Complete
13	1215-516	Elbow

*PART NOT IDENTIFIED ON DIAGRAM.



4739-6801 LIFT ASSEMBLY LF/RR
4733C5801 LIFT ASSEMBLY RF/LR

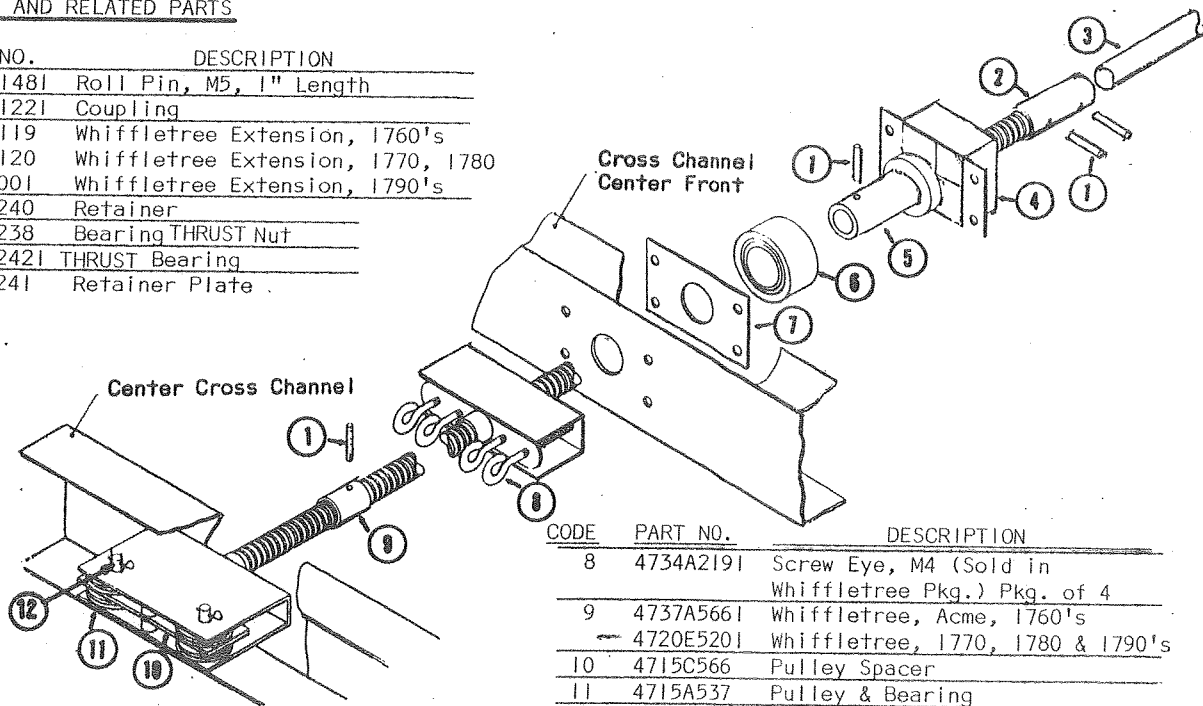
CODE	PART NO.	DESCRIPTION
1	4730F249I	Pin & Ring, M3 (Contains 4730F249 Pin & 4730B098 Retaining Ring)
	*4730B098I	Retaining Ring Only, M12
	*4730F249	Pin Only
2	4715A537	Steel Pulley Ass'y, 5/16" Note: Use 4714-537 on 300 & 400 Series Trailers.
3	4741-92I	Lock Nut, X2
4	1202B263	Spacer, X2
5	4737-817	Bolt, 1/4"-20 x 1"
	4741-92I	Flange Nut, 1/4"-20
6	4731-569I	Cable Ass'y, 51"
7	4733-590I	Cable Ass'y, Long 144"
8	4731-569I	Cable Ass'y, 51"
9	4720C157	Lift Pin
10	1204B108	Cotter Pin

CODE	PART NO.	DESCRIPTION
11	4731B580	Pulley Bracket Ass'y
12	TOP LIFT ASS'Y	4739-674I (4739-680I, LF/RR) 4720C518I (4733C580I, RF/LR)
13	CENTER LIFT ASS'Y	4739-673I (4739-680I, LF/RR) 4720C517I (4733C580I, RF/LR)
14	BOTTOM LIFT ASS'Y	4739-675I (4739-680I, LF/RR) 4720D516I (4733C580I, RF/LR)
15	4720F515I	Stationary Lift Ass'y
16	1203C872	Pop Rivet, X3
17	1006B1610	Machine Screw, 1/4"-20
18	4714-92I	1/4-20 Flange Nut

NOTE: ALL CABLE ASSEMBLIES COME WITH CABLE CLIPS.

WHIFFLETREE AND RELATED PARTS

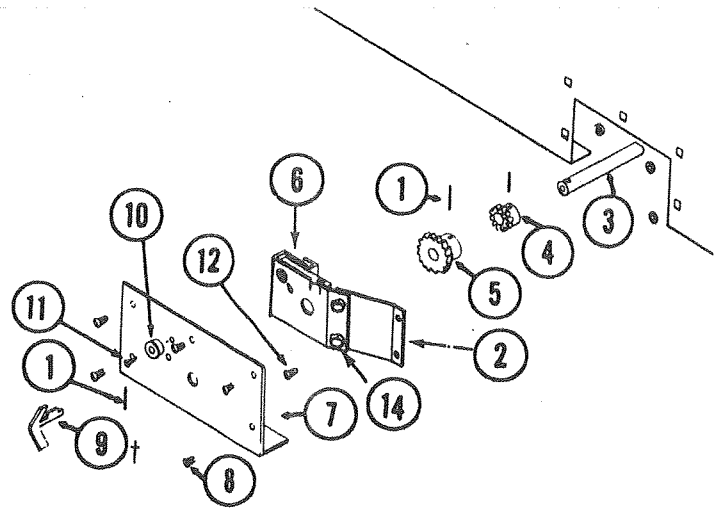
CODE	PART NO.	DESCRIPTION
1	4720B148I	Roll Pin, M5, 1" Length
2	4720D122I	Coupling
3	4737A119	Whiffletree Extension, 1760's
	4730D120	Whiffletree Extension, 1770, 1780
	4739A00I	Whiffletree Extension, 1790's
4	4720B240	Retainer
5	4720B238	Bearing THRUST Nut
6	4720A242I	THRUST Bearing
7	4720A24I	Retainer Plate



CODE	PART NO.	DESCRIPTION
8	4734A219I	Screw Eye, M4 (Sold in Whiffletree Pkg.) Pkg. of 4
9	4737A566I	Whiffletree, Acme, 1760's
	4720E520I	Whiffletree, 1770, 1780 & 1790's
10	4715C566	Pulley Spacer
11	4715A537	Pulley & Bearing
12	4720F156	Long Pin
	1204B123	Cotter Pin

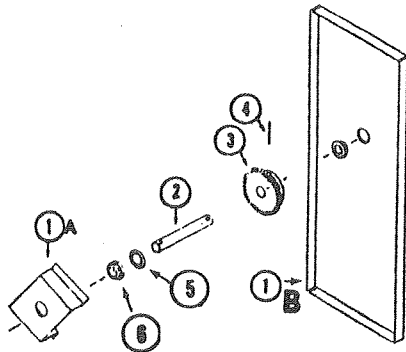
RATCHET ASSEMBLY

CODE	PART NO.	DESCRIPTION
1	*4720B1481	Roll Pin, M5, 1" Length
	4730B3381	Roll Pin, M5, 2" Length
2	+*4741-838	Leg Brace Ass'y
3	4737A119	Whiffletree Extension, 1760's
	4720D120	Whiffletree Extension, 1770, 1780
	4739A001	Whiffletree Extension, 1790's
4	4730B384	Sprocket, Small Steel
5	4737-450	Ratchet Gear Not in Ratchet Pkg.
6	+*4737B675	Ratchet Bracket
7	4715E123	Filler Plate,
NOTE: 21" of 435-00-000-16 Foam Tape is Around Perimeter of Filler Plate		
8	1103E1008	Screw, X5 (Holds Filler Plate)
9	+*4737-4671	Butterfly Switch 7 Plastic Cap
	+*4737-469	Cap Only for Butterfly Switch
10	4724-260	Stop Button (Recessed Bumper)
11	1103B1012	Screw (#10-3/4") Pan Recessed Hd.
12	4733-411	Tek Screw (#10-1/2"-16 UNC)
13	*4720B088	Bearing, Front Cross Channel (Used on 1767, 1768, 1769)
	*4741B840	Bearing, Front Cross Channel (Used On All Other Models)
14	+*4731-387	Screw
	+*1201B603	Nut
15	*4739-115	Bushing Plate, 1767, 1768, 1769
	*4733-411	Tek Screw, X2 (Used W/4720B088 Bearing)
16	*4730E318	Open Decal
17	*4739-117	Switching Decal



*PARTS NOT INDICATED ON DIAGRAM
+IN 4714B5881 RATCHET PACKAGE

CRANK AND SPROCKET ASSEMBLY



CODE	PART NO.	DESCRIPTION
1	4720G5808	Crank & Sprocket Ass'y 1760, 1765
	4741C500	Crank & Sprocket Ass'y 1770, 1780
	4720G580	Crank & Sprocket Ass'y 1790, 1710, 1795
	*4731-387	Hex Head Bolt
	*1201B603	Hex Nut
	*1202B043	Washer
1A & 1B are welded or riveted together with bushings pressed in. 1A & 1B are Aluminum in the 4741C500 Assembly and Steel in the others.		
All of the following parts are included in Code No. 1		
2	4730C340	Sprocket Shaft
3	4730B384	Sprocket (12 Tooth) 1760, 1765
	4730B385	Sprocket (24 Tooth) All Others
4	4720B141	Roll Pin
5	4730B382	Bronze Bearing
6	1202-282	Washer

*PARTS NOT INDICATED ON DIAGRAM

SCREEN DOOR ASS'Y, 4710T5051, 1770, 1780, 1790, 1710, 1795
SCREEN DOOR JAMB ASS'Y, 4710T5091 (OTHER MODELS-SEE NOTE BELOW)

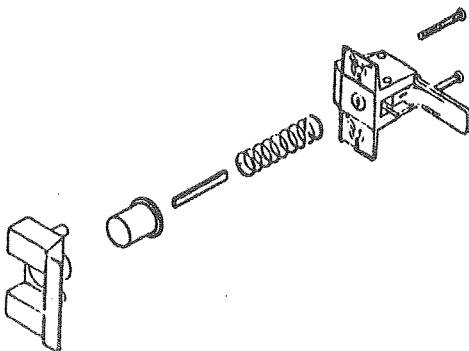
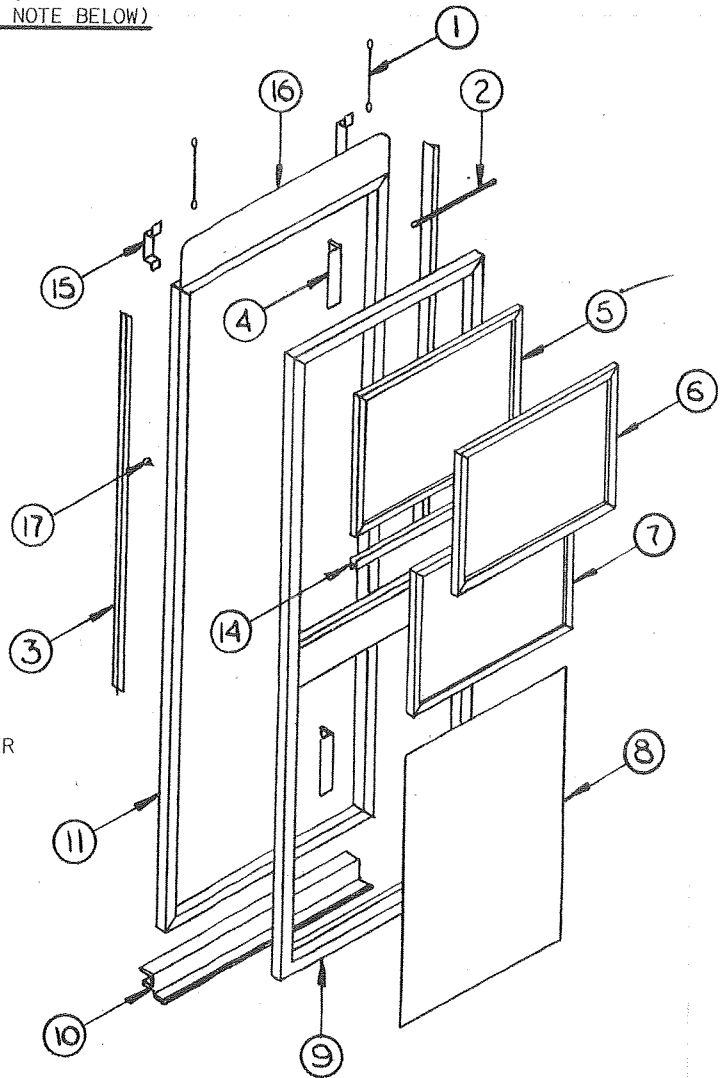
CODE	PART NO.	DESCRIPTION
1	4734B5211	Cable Ass'y, M2
2	4731A8201	Screen Door Spring Ass'y
3	4710F4101	Door Seal, Vertical X2, 46" Lg.
4	4720D3601	Screen Door Hinge Ass'y
	*4741-986	Rivet, X3 Each Hinge
5	4710A5061	Screen Door Sliding Panel
6	4710B5011	Screen Dr. Screen Window Ass'y
7	4710A5041	Fixed Window Ass'y
8	4741D035	Kick Plate
9	4710T5051	Screen Door Ass'y
10	4741A622	Screen Door Support Ass'y
11	4710T5091	Screen Door Jamb Ass'y
12	4733C4791	Latch Ass'y
	*1202B026	Washer
	*4737-321	White Rubber Button
13	4710C411	Strike, (IN 4733C4791 Latch Pkg.)
	4741-986	Rivet
14	406-00-000-84	Weather Strip, 18" Long
15	4741-865	Sash Lock, X2
	4734A186	Rivet, X4
16	4741A883	Screen Door Top Bracket
	4734A186	Rivet, X6
17	4730A354	Stud

*PARTS NOT INDICATED ON DIAGRAM

NOTE: FOR UNPAINTED DOOR AND COMPONENT PARTS REFER TO THE 1982 PARTS CATALOG, BOOK 1, PAGE 33.

4710R5051 REPLACEMENT DOOR
4710R5091 REPLACEMENT JAMB

USED ON MODELS 1767, 1768 & 1769



SCREEN DOOR LATCH ASS'Y

Part No. 4733C4791

Note: 1202B026 Washer no longer in this Package.

**STOVES
TABLES**

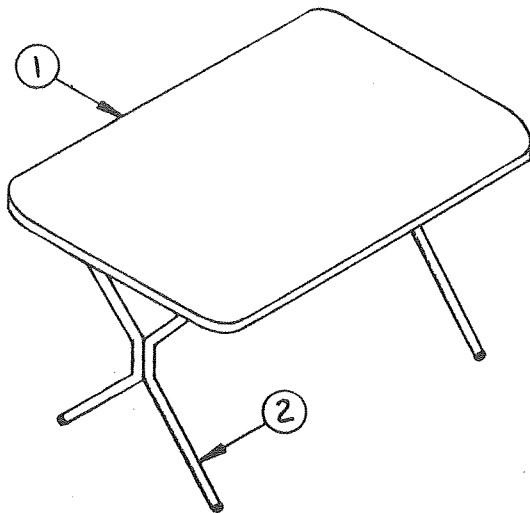
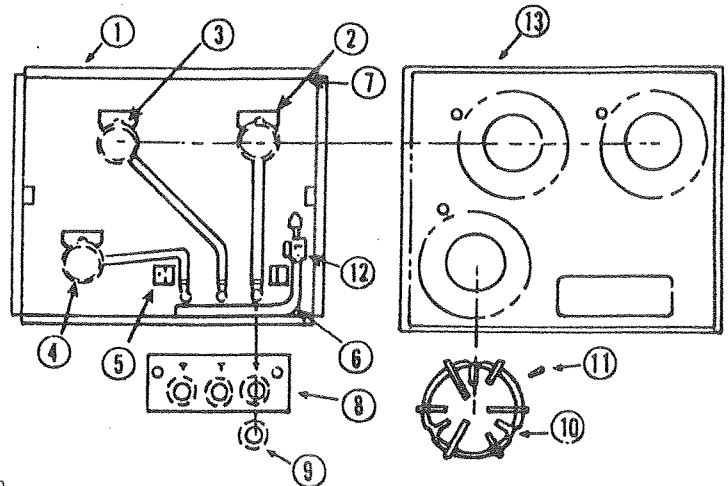
**1983
PARTS LIST**



STOVE ASSEMBLIES

- 4739A2921 STOVE, CHROME 3 BRNR 1767, 1769
- 4739A2931 STOVE, CHROME 3 BRNR 1770
- 4739A2871 STOVE, PORCELIN 2 BRNR 1760, 1765
- 4739B2931 STOVE, PORCELIN 3 BRNR 1790, 1710
1795

CODE	PART NO.	DESCRIPTION
1	2202L503 2203M503	Burner Box Ass'y, 2 Brnr. Burner Box Ass'y, 3 Brnr.
2	2202-819 2203-855	Right Burner, 2 Brnr. Stove Right Burner, 3 Brnr. Stove
3	2202-850 2203-887	Left Burner, 2 Brnr. Stove Left Burner, 3 Brnr. Stove
4	2203-850	Front Burner, 3 Brnr. Stove Only
5	2202A3361	Burner Valve, 2 & 3 Brnr. Stove
6	2202K5271 2203K5271	Manifold Pipe, 2 Brnr. Stove Manifold Pipe, 3 Brnr. Stove
7	2208K357	Inlet Bushing, 2 & 3 Brnr. Stove
8	2202L5291 2203M5921	Throw-In-Bag, 2 Brnr. Stove Throw-In-Bag, 3 Brnr. Stove
9	2205A3371	Knob, 2 & 3 Brnr. Stove
10	2202A3391	Grate
11	2208-3441	Grate Cup Package
12	821-121	3/8" Flare Nut
13	4714-4621 4714-4631 4714-4741 4714-4651	Cooktop, Chrome 2 Brnr. 1767, 1769 Cooktop, Chrome 3 Brnr. 1770 Cooktop, Porcelain 2 Brnr. 1760, 1765 Cooktop, Porcelain 3 Brnr. 1790, 1710 1795

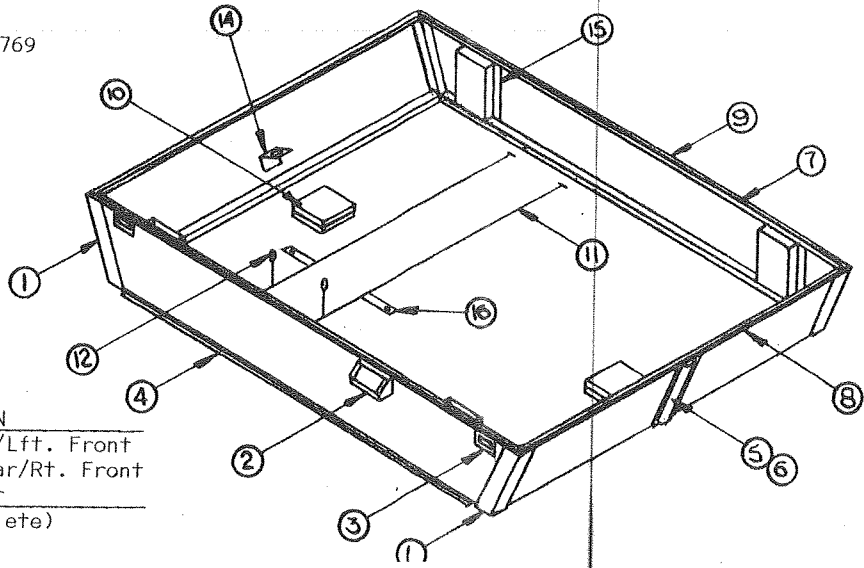


- 4737D5011 DINETTE TABLE ASSEMBLY ALL EXCEPT
- 4741A5171 DINETTE TABLE ASSEMBLY 1770, 1780
- 4739C5191 DINETTE TABLE ASSEMBLY 1790

CODE	PART NO.	DESCRIPTION
1	4737C1511 4741A0451 4739C1031	Dinette Table Top All Except Dinette Table Top 1770, 1780 Dinette Table Top 1790
2	4734A6251	Dinette Table Leg Ass'y All Includes all hardware to install legs (M2) to table top
3	*4720B5951	Table Strap Ass'y, 8" Length
4	4734A0841 *1103E1008	Towel Rack, 22 1/4" Screw, X4 Rack To Table Top
5	4720A1501	Lock Brace Package
6	*4720B342	Table Leg Cap, X2 Each Leg Ass'y

*PARTS NOT IDENTIFIED ON DIAGRAM

4739A6641 TOP ASSEMBLY 1767, 1768, 1769
4737F6241 TOP ASSEMBLY 1760, 1765
4720T5241 TOP ASSEMBLY 1770, 1780
4739E524 TOP ASSEMBLY 1790, 1710



CODE	PART NO.	DESCRIPTION
1	4741A198	Top Corner Rt. Rear/Lft. Front
	4741A199	Top Corner, Lft. Rear/Rt. Front
	4738A2606	Screw, X6 Per Corner
2	4739B5731	Outside Light (Complete)
	4714-3361	Light Lens
	*4741A936	Screw, X2
3	4715A2091	Strike
	*1014E1024	Screw, X2 Per Strike
	*1201B695	Nut, X2 Per Strike
4	4728A191	Canopy Track, 76" - 7 Ft. Models
	4728A207	Canopy Track, 96" - 9 Ft. Models
	4728A208	Canopy Track, 120"-11 Ft. Models
	*4741A936	Screw
	*435-00-000-75	1/32x1" Live Rubber Tape (Sold Per Foot)
5	4741-303	Center Seam Extrusion, 101 1/2" 7 Ft. Models
	4741-312	Center Seam Extrusion, 121 1/2" 9 Ft. Models
	4741-231	Center Seam Extrusion, 145 1/2" 11 Ft. Models
	*435-00-000-58	1/4x1" Saturated Foam Tape
	*435-00-000-75	1/32x1" Live Rubber Tape (Sold Per Foot)
	*4741-350	Hex Head Screw
6	406-00-000-96	Center Seam Vinyl (Sold Per Foot)
7	406-00-000-99	Top Seal, Black (Sold Per Foot)
8	4741A213	Seal Extrusion, Front & Rear (All Models)

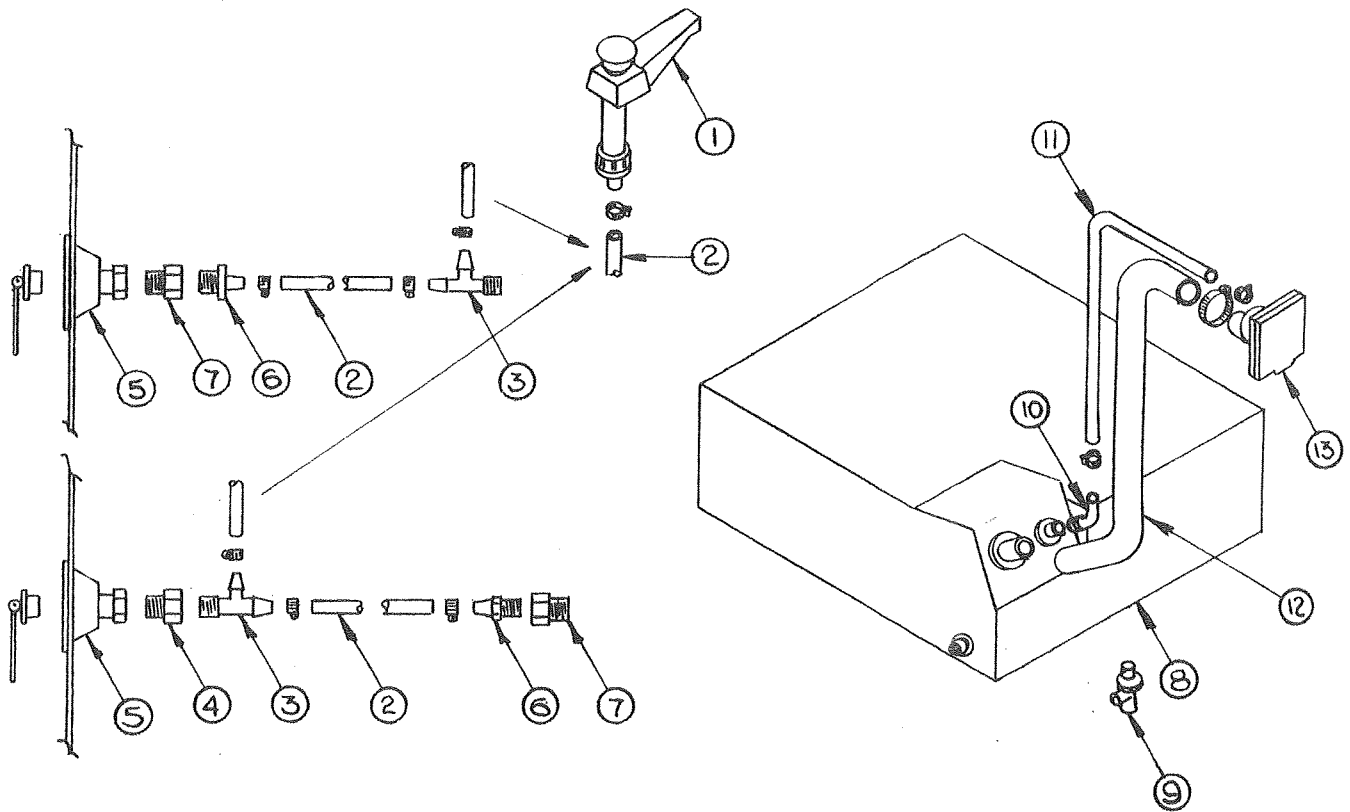
CODE	PART NO.	DESCRIPTION
9	4741A268	Seal Extrusion, Side-7 Ft. Models
	4741A314	Seal Extrusion, Side-9 Ft. Models
	4741A188	Seal Extrusion, Side-11Ft. Models
	*4741A936	Screw
10	4737D5911	Overhead Dome Light Ass'y
	4714C0891	Top Light Lens
	*1103B1016	Screw, X4 Each Light
11	4733D471	Screen Door Track, M2
	*4741-965	Rivet
12	4734B5211	Slide Cable Ass'y
	*1203-925	Accordion Rivet, Plastic (Cable Retainer)
13	4741B542	Screen Door Storage Bracket
	*4738A2606	Screw, X2
	*406-00-001-53	Edge Molding, (Sold Per Foot)
14	4741A113	Canvas Support Bracket
	*4738A2606	Screw, X3 Per Bracket
	*406-00-001-53	Edge Molding, (Sold Per Foot)
15	4741A571	Lift Cover Ass'y (Wood Grain)
	*4741A543	Lift Pocket Ass'y (Inside)
16	4723A5061	Screen Door Safety Strap
	*4730A354	Stud
17	4737-321	Rubber Button (White)

NOTE: The 4739E5241 Top Can Be Used On 1795 With Bathroom And Shower Curtain Tracks From Old Top Assembly Or With New Parts As Listed In "A", "B" And "C" Below.

*PARTS NOT IDENTIFIED ON DIAGRAM

PARTS NOT SHOW FOR 1795 TOP ASSEMBLY

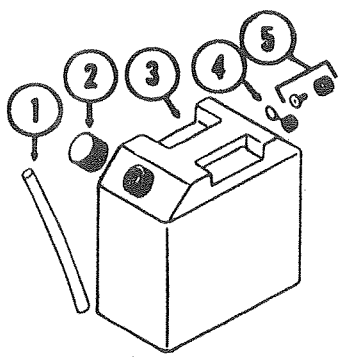
A	*4741A426	1"-Beam Shower Curtain Track
	*4739-120	Mounting Bracket X9
	*4741A936	Screw, X2 Each Bracket
B	*4739A121	1"-Beam Curtain Track
	*4739-120	Mounting Bracket, X6
	*4741A936	Screw, X2 Each Bracket
C	*4737-843	Shade Curtain Brackets
	*4741-965	Rivet
	*4724-728	Shower Curtain Tie
	*4730A354	Stud
	*1202B269	Washer
	*4738A2606	Screw



WATER SYSTEM, 1700 SERIES EXCEPT 1767, 1769, 1795

CODE	PART NO.	DESCRIPTION
1	4734-0161	Faucet
	*4714-0461	Faucet Repair Kit
	*4714-2531	Bottom Cap, Gasket & Valve Disc
2	4714-038	High Pressure Hose - Cold Water 3/8" Reinforced, Sold Per Foot
3	4734-2321	Running Tee
4	4741-959	Male Connector, (Not Used On 1770, 1780, 1790, 1710 & 1795)
5	4732C1521	City Water Fill
	*4741-350	Screw
	*4741-0481	Cap & Strap
6	4732-4561	Adapter
7	4741-955	Check Valve
	*4734-4641	Filter Screen
8	4733G1411	Water Tank
	*4734B320	Tank Bracket
9	4715E4381	Spigot (Drain)
10	1218-351	Elbow
11	4733B1201	Vent Hose, 1/2" O.D. - Clear
12	4731F1081	Water Fill Hose, 1" I.D.
13	4731B1711	Recessed Fill Spout
	*4735C098	Water Decal
14	*4731-305	Adjustable Hose Clamp, 5/8"
	*4715-4051	Adjustable Hose Clamp, 1 1/4"

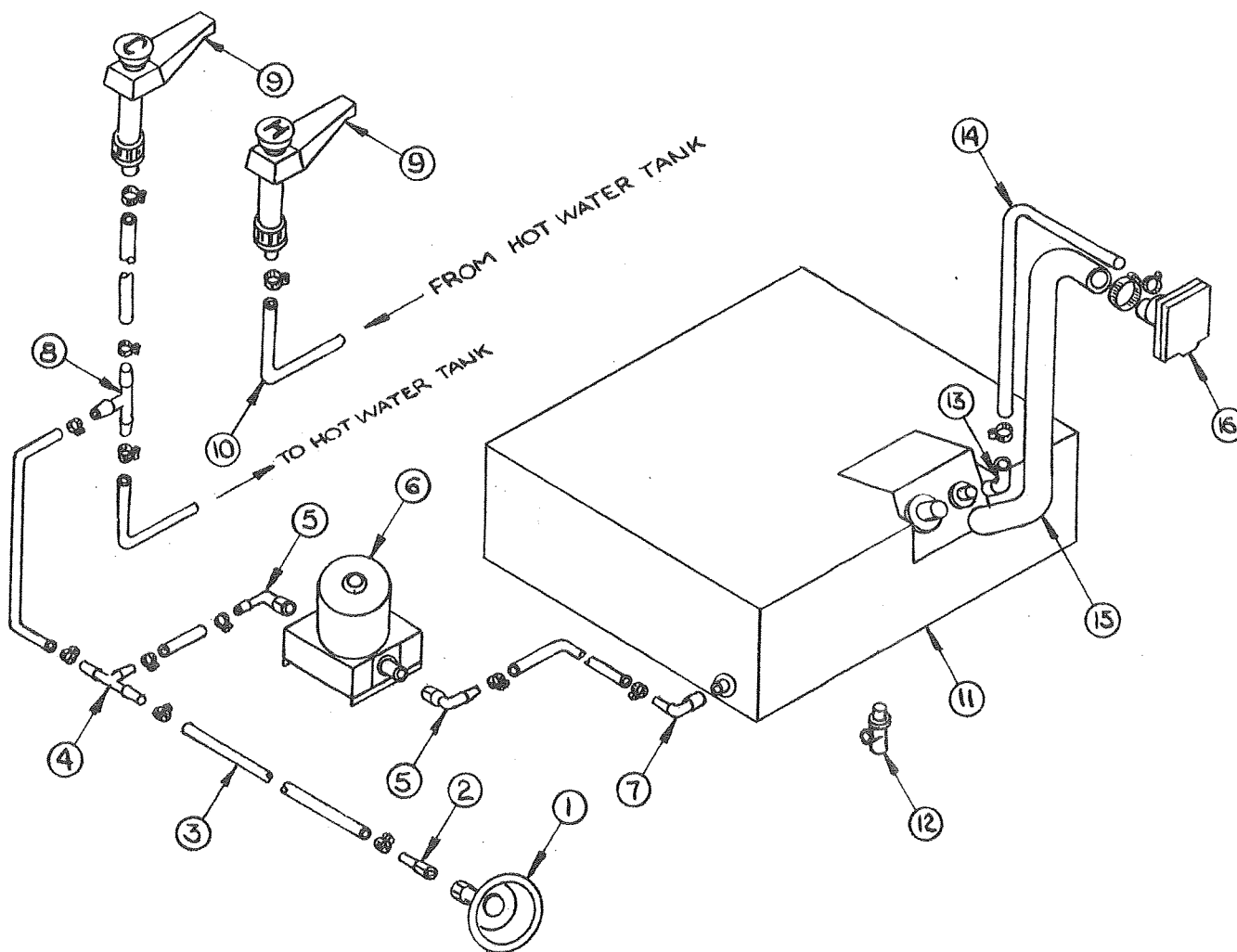
*PARTS NOT IDENTIFIED ON DIAGRAM



2 4735-2131 WATER BOTTLE 1767, 1769

CODE	PART NO.	DESCRIPTION
2	1	4714A0671 Suction Stem
2	2	4714-0231 Large White Cap
2	3	4735-2131 Water Bottle, Complete
	*4735C098	Water Decal
2	4	4714-0221 Small Cap With Tie-On
2	5	4714-024 Barb Stem & Collar

*PARTS NOT IDENTIFIED ON DIAGRAM



WATER SYSTEM, 1795

CODE	PART NO.	DESCRIPTION
1	4732C1521	City Water Fill
	*4741-350	Screw
	*4714-0481	Cap & Strap
2	4732-4561	Adapter
3	4714-038	High Pressure Hose-Cold Water 3/8" Reinforced, Sold Per Foot
4	1218-150	Tee
5	4741-906	Swivel Elbow
6	4741A5771	Water Pump
7	1218-351	Elbow
	*4737-4641	Filter Screen
8	4741-238	Tee
9	4734-0161	Faucet
	*4741-170	"H" Decal
	*4741-171	"C" Decal
	*4714-0461	Faucet Repair Kit
	*4714-2531	Bottom Cap, Gasket & Valve Disc

CODE	PART NO.	DESCRIPTION
10	4714-338	High Pressure Hose-Hot Water 3/8" Reinforced, Sold Per Foot
11	4741-3451	Water Tank, 18 Gallon
	*4741-441	Tank & Bracket
12	4715E438	Spigot, (Drain)
13	1218-351	Elbow
14	4733B1201	Vent Hose, 1/2 O.D. - Clear
15	4731F1081	Water Fill Hose, 1" I.D.
16	4731B1711	Recessed Fill Spout
	*4735C098	Water Decal
17	*4731-305	Adjustable Hose Clamp, 5/8"
	*4715-4051	Adjustable Hose Clamp, 1 1/4"

* PARTS NOT IDENTIFIED ON DIAGRAM.

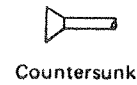
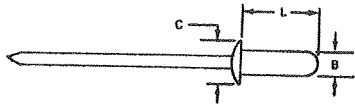
NOTE: REFER TO PAGE 15 FOR RIGID
PLUMBING COMPONENTS

Rivets

1983 PARTS LIST



"POP RIVETS" (Equivalent May Be Purchased Locally From Hardware Store)

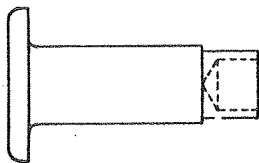


RIVET NO.	"B" BODY DIA.	"C" HEAD DIA.	"L" LENGTH	TYPE	TYPICAL USAGE
1203-867	1/8	1/4	1/2	Alum.	Upper Galley, Stud To Cooktop, Latch To Stove Cover
1203-895	1/8	1/4	3/8	Black	Doors To Cabinets, Latch To Latch Support
1203-863	5/32	1/4	1/2	Alum.	Screen Door Assembly, Bed Extensions
4741-986	5/32	1/4	1/2	Beige	Curtain Track To Body Rail, Screen Door Hinge & Strike
1203-864	3/16	3/8	1/2	Alum.	Rail To Body Panel, Chest Of Drawer Cabinet, Corner Bulkheads, Bed Assemblies
1203-865	3/16	3/8	3/4	Alum.	Tail Light Ground, Drawer Slides, Bed Assemblies, Screen Door, Wheel Well
1203-874	3/16	3/8	3/4	Alum.	Lashing Hooks, Tail Light Mounting, Marker Lights, Bed Assemblies, Screen Door
1203-883	3/16	5/8	5/8	Alum.	Chest Of Drawer Cabinet, Screen Door Cable
1203-884	3/16	5/8	15/16	Alum.	Bed Support Clips, Rail To Bulkhead, Wheel Well
1203-886	3/16	5/8	15/16	Brown	Wall Panel To Tire Mount
1203-897	3/16	3/8	1/2	Alum.	Access Door Bulkhead (Countersunk)
1203C872	3/16	5/8	11/16	Steel	Swing Arm Assembly, Lift Assembly, Rail To Support Plate
1203C875	3/16	3/8	7/16	Steel	Corner Bulkhead To Frame
4733-060	3/16	3/8	1/2	Brown	Access Doors, Latch Support To Cabinet, Support Arm To Seat, Upper Galley Assemblies, Body Corners To Panels
4733A060	3/16	3/8	1/2	Beige	Access Door Cap, Corner Miter Covers
4734-186	3/16	3/8	3/4	Brown	Fire Extinguisher Holder, Seat Frame Assemblies, Converter Panel To Wall Panel
4734A186	3/16	3/8	3/4	Beige	Rail To Body Panel, Sash Lock & Bracket

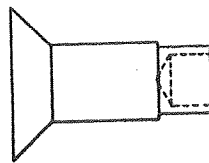
EXPANSION RIVETS

4741-965	3/16	7/16	7/8	Alum.	Screen Door Track, Body Panels To Frame, Gas Line Clamp
4741-966	3/16	7/16	1 1/4	Alum.	Gas Line Clamp

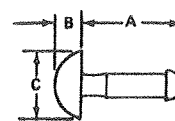
NOTE: THIS TABLE REFLECTS THE GENERAL USAGE OF THE RIVETS USED IN OUR TRAILERS. IT DOES NOT REFLECT ALL RIVETS IN THE PARTS CATALOG. PLEASE REFER TO SPECIFIC ASSEMBLIES TO FIND ANY SPECIFIC RIVET THAT IS NEEDED.



4731A130 Rivet, (Steel)
Two small rollers on
Bed Extension



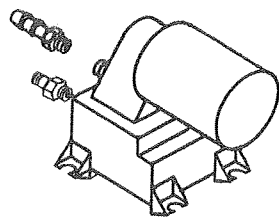
4731A128 Rivet. On Large
Plastic Wheel on Bed. Ext.



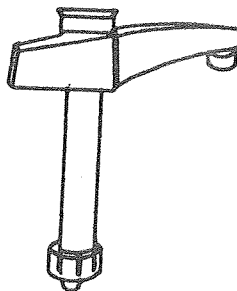
1203-925 Accordion Rivet



4741A5571 Water Pump, 1695



4741-5571 Water Pump



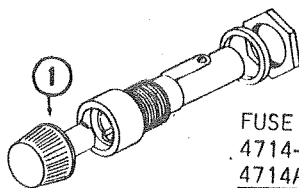
WATER PUMP FAUCET
4734-0161



STABILIZER HANDLE
4733-5951
4733B5951 (Longer)



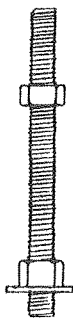
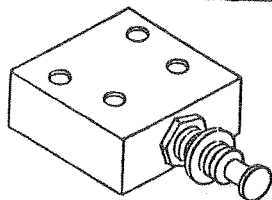
CRANK HANDLE
4720B5211



FUSE HOLDER COMPLETE
4714-0271 1400's
4714A0271 1595, 1695
1. 4714-025 Cap

BREAKER SWITCH
4714-0471
All Converters

Not used on
1600 Series
except 1695



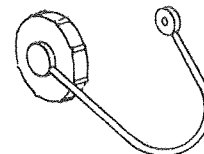
SPARE TIRE MOUNT
4741-5791
1201B604 Lock Nut



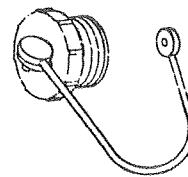
PUMP CAP KIT
4714-2531



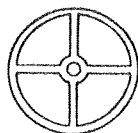
STRAP ASS'y
4714-2951 11"
4720A5951 5½"
4720B5951 8"
4731A5711 7¼"
4733A3481 3½"



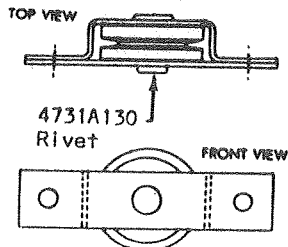
DRAIN SPOUT CAP
4714-0021 for
4734A0681 Drain



CITY FILL CAP & STRAP
4714-0481 for 4732B1521
and 4732C1521 City Fills



BED EXT WHEEL
4720B0831 Nylon
Use rivet
4731A128



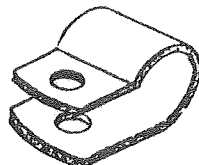
ROLLER ASS'Y, 4720B5621
Rivet sold separately



4739-067
I-Beam Stop



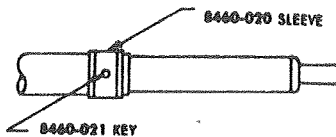
4739-119
Carrier & Hook



TUBE CLAMPS
1201-870 3/8" St./Neo.
1201-873 1/2" St./Pl.
4739-425 3/8" Alum.



SHOCK CORD CLAMP
4724-201

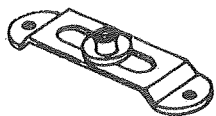


LOCK ADJUSTING PKG.
4714-5491 (Canvas
Support Ass'ys.)

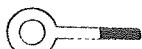


CANVAS RETAINER PACKAGE
4728-5641

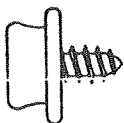
This Pkg. contains 8
Screws & 8 Retainers.



ADJUSTABLE STUD
4730A1181



SCREW EYE
4734A2191
Sold in Pkg.
of four



STUD
4730A354



SAFETY PIN
4732A479



CABLE CLIP
4730A325
For 1/16" Cable
(Galley Cables)



CABLE CLIP
4720C169
For 1/8" Cable
(Lift &
Whiffletree



CANVAS CLIP
4730A260

Miscellaneous

1983 PARTS LIST



TOUCH-UP PAINT--SPRAY CANS

- 8A243 Chocolate Brown Enamel, 16 Oz. Cans
- 8-245 Harvest Beige Enamel, 16 Oz. Cans
- 8-246 Kansas Beige Enamel, 16 Oz. Cans

TOUCH-UP PAINT--FOR PREVIOUS YEAR'S MODELS

- 8B240 Mount Vernon Cream Enamel, 16 Oz. Cans
- 8A234 Tobacco Brown Enamel, 16 Oz. Cans
- 8-239 Sandalwood Beige Enamel, 12 Oz. Cans
- 8A239 Sandalwood Beige Enamel, 16 Oz. Cans
- 8A241 Terra Cotta Rust Enamel, 16 Oz. Cans

TOUCH-UP PAINT--FOR SPRAY GUNS, QUARTS

- 4714-2631 Harvest Beige (Dark) Enamel, Qt. Cans
- 4714-2641 Kansas Beige (Light) Enamel, Qt. Cans
- 4714-0091 Chocolate Brown Enamel, Qt. Cans
- 4714-0171 Mount Vernon Cream Enamel, Qt. Cans
- 4714-0111 Tobacco Brown Enamel, Qt. Cans
- 4714-0081 Terra Cotta Rust Enamel, Qt. Cans

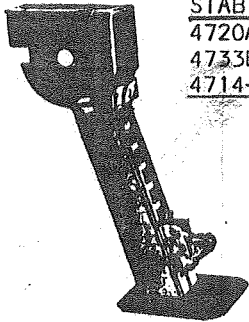
NOTE: When the current stock is exhausted on the paint for Previous Year's Models, there will be no more.

REPAIR KITS FOR ABS MOLDED BODY PANELS

- 4714-261 Liquid Plastic Kansas Beige
- 4714-262 Liquid Plastic Harvest Beige

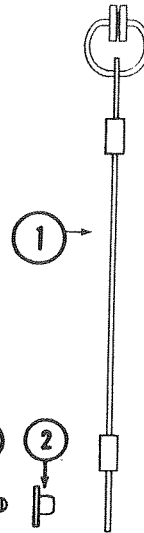
LUBRICANTS, SEALANTS, ETC.

- 8B3121
- 4714-065 Ten-X Sealant
- 4714-0701 Top Seal Spray
- 4714-217 Dry Clean Pads
- 4714A2251 Fabric Cement
- 4728-1651 Water Repellant
- 4737A283 Cashmere Caulk

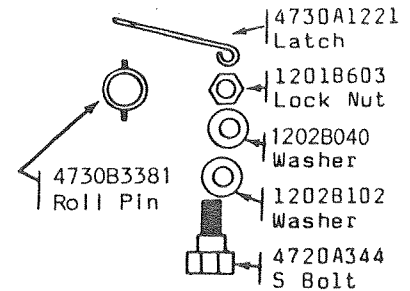


- STABILIZER--FULTON
- 4720A0731 Stabilizer
 - 4733B5951 Handle
 - 4714-0261 Foot & Spg.

STACK JACK
4737-8791



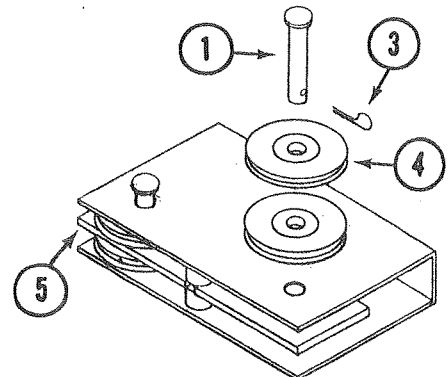
- SCREEN DOOR CABLE ASS'Y
4734B5211
- 1 4734B5211 Cable Ass'y, M2
 - 2 4733-339 Nylon Wheel
 - 3 1203C872 Rivet
- (4739-068 I-Beam Carrier & 4730A325 Cable Clip are part of 4734B5211 Ass'y)

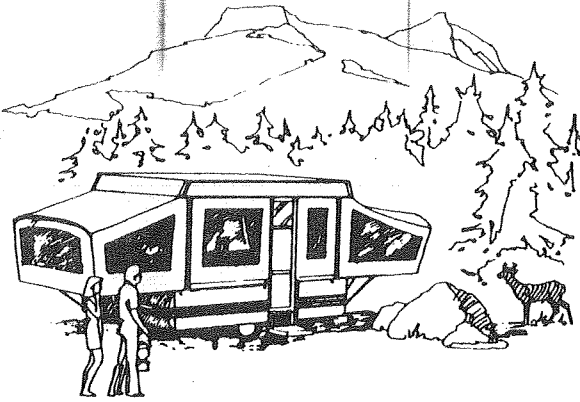


SAFETY LATCH ONLY. 4730A1221
Other parts sold separately.

SEPARATOR PULLEY ASSEMBLY

CODE	PART NO.	DESCRIPTION
1	4720F1561	Long Pin, M2
2	Number not assigned	
3	1204B123	Cotter Pin
4	4715A537	Steel Pulley & Bearing
*NOTE: 4715-537 Steel Pulley & Bearing available for 1973 & earlier.		
5	4715C566	Pulley Spacer





CAMPING TRAILERS

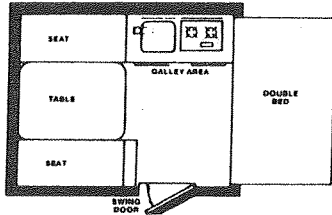


WE HAVE A BRIGHT REPUTATION FOR QUALITY

Coleman has it. VALUE THAT SHOWS

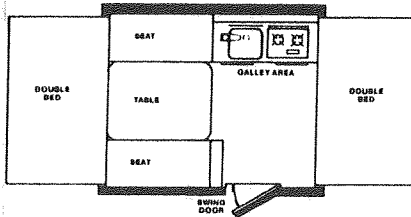
The 1983 Coleman Folding Camping Trailers are here, the best trailers yet in terms of quality features and engineering. With their lightweight construction, low profile and ease of towing, these trailers are truly worthy of the name Coleman.

Compare a 1983 Coleman to any other camping trailer. Compare overall features and value. You'll see that from the basic Jamestown to the luxurious Williamsburg, here are 10 folding camping trailers that will give you more pleasure and value for your money. Value that shows.

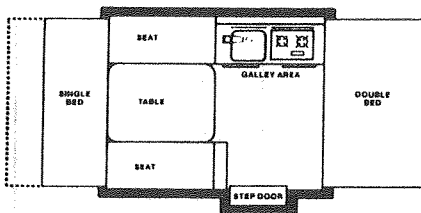


1768 4737A768 JAMESTOWN

1769 4737A769 JAMESTOWN LTD

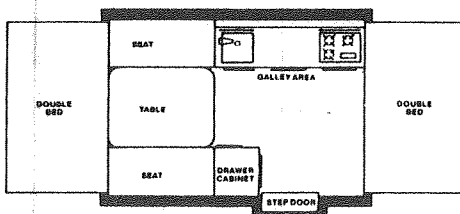


1767 4737A767 COLUMBIA

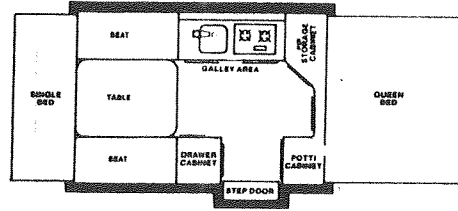


1760 4737G702 COLONIAL

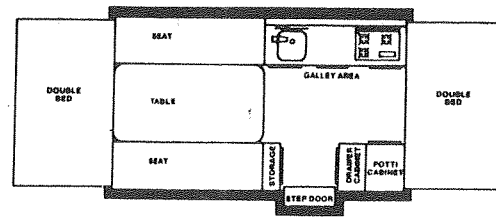
1765 4737H700 COLONIAL XL



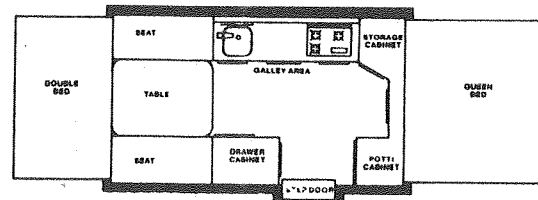
1780 4720S700 SUN VALLEY



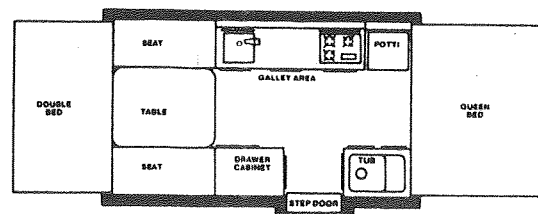
1770 4733K700 ROYALE



1790 4730S700 SHENANDOAH



1710 4730S730 SEQUOIA



1795 4739E706 WILLIAMSBURG

Specifications

	Janetown™ 11d	Janetown™ 11d	Columbus™ XL	Columbus™ XL	Royale™ Willy™	Sun™ Willy™	Shenandoah® Willy™	Sagebrush™ Willy™	Wildcat™ Willy™
Construction	Inverted hard top	S	S	S	S	S	S	S	S
3-inch tubular steel frame	S	S	S	S	S	S	S	S	S
Spare tire mount	0	0	0	0	0	0	0	0	0
Fire-retardant 10.1 army duck canvas tent	S	S	S	S	S	S	S	S	0
Fire-retardant Evolution™ 3 tent	—	—	—	—	—	—	—	—	S
Baked-on enamel alum. side panels	S	S	S	S	S	S	S	S	S
Hi-impact ABS in 4 rear panels (built-in rock shield)	—	—	—	—	—	—	—	—	S
Split bumper	0	0	0	0	0	0	0	0	S
Bright annealed stainless steel telescoping lifts	S	S	S	S	S	S	S	S	S
Towing Facts:									
Road height (in)	44	44	44	45	45	45	47	47	47
Hitch weight (lbs)	90	105	100	105	100	100	120	120	120
*Curb weight (lbs)	685	765	860	855	875	895	1220	1220	1340
Trailer size (closed)	6'8" x 11'3"	6'8" x 11'3"	6'8" x 11'3"	6'8" x 11'3"	6'8" x 12'11"	6'8" x 12'11"	6'8" x 14'11"	6'8" x 14'11"	6'8" x 14'11"
Electric brakes	0	0	0	0	0	0	0	0	S
Sliding leaf spring suspension	S	S	S	S	S	S	S	S	S
Safety chains & 1 1/2" ball coupler	S	S	S	S	S	S	S	S	S
Tire size 4.80 x 8	S	S	S	—	—	—	—	—	—
Tire size 5.70 x 8	0	0	0	S	S	S	—	—	—
Tire size 20.5 x 8 x 10	0	0	0	0	0	0	S	S	S
Hub caps	0	0	0	0	0	0	S	S	S
Wast level	—	—	—	—	—	—	—	—	—
Set-up Facts:									
One-piece swing-up tongue jack	S	S	S	S	S	S	S	S	S
Attached stabilizers	2	2	2	4	4	4	4	4	4
Alum. one-piece screen door	S	S	S	S	S	S	S	S	S
Self-storing Stepper™ door w/dead bolt lock	—	—	—	S	S	S	S	S	S
Attached bed supports	S	S	S	S	S	S	S	S	S
25' 12-volt auto extension cord	S	S	S	0	0	0	0	0	0
Brass pressure city-water hookup	—	—	—	S	S	S	S	S	S
115 VAC to 12 VDC converter	—	—	—	0	0	0	0	0	0
115-volt AC outlets	—	—	2	3	3	3	3	3	3
Outside sink drainage system	—	—	S	S	S	S	S	S	S
Patio light	—	—	—	S	S	S	S	S	S
4-way screened ventilation	S	S	S	S	S	S	S	S	S
Clear vinyl storm windows(s)	S	S	S	S	S	S	S	S	S
Trailer length (open)	12'4"	12'4"	17'6"	15'10"	17'6"	19'4"	21'4"	23'4"	23'4"
Living area (ft²)	68	68	94	83	94	104	117	129	129
Interior height (open)	65"	65"	65"	65"	65"	65"	65"	65"	65"
Overhead dome lights	1	1	1	2	2	2	2	2	2
Vinyl-lined drapes w/le backs	0	0	0	S	S	S	S	S	S
Cushioned-vinyl floor covering	S	S	S	S	S	S	S	S	S

	Janetown™ 11d	Janetown™ 11d	Columbus™ XL	Columbus™ XL	Royale™ Willy™	Sun™ Willy™	Shenandoah® Willy™	Sagebrush™ Willy™	Wildcat™ Willy™
Dining Features:									
Lower racks	—	1	1	1	1	2	2	2	2
Coleman ice box	0	Chest	Chest	Chest	Chest	3-Way 68 Qt	3-Way 68 Qt	3-Way 68 Qt	3-Way 68 Qt
Flip-up galley with permanent storage	—	S	S	S	S	S	S	S	S
2 burner range	—	Chrome	Brushed Chrome	Porcelain	Porcelain	—	—	—	—
3 burner range w/porcelain cover	—	—	—	—	—	Brushed Chrome	Brushed Chrome	Porcelain	Porcelain
Sink	—	—	—	—	—	—	—	—	—
Dinetable (porcelain)	30 x 39	Stainless Steel 30 x 39	Stainless Steel 30 x 39	Porcelain 30 x 39	Porcelain 30 x 39	Stainless Steel 30 x 39	Stainless Steel 30 x 39	Porcelain 30 x 39	Porcelain 30 x 39
20# gas bottle and regulator	—	S	S	S	S	S	S	S	S
Built-in water tank w/fill spout	—	—	—	10 Gal	10 Gal	10 Gal	10 Gal	10 Gal	18 Gal
Portable water tank (5 gal)	—	5 Gal	5 Gal	—	—	—	—	—	—
Tub & shower	—	—	—	—	—	—	—	—	—
Hot water heater	—	—	—	—	—	—	—	—	—
Elec. water pump	—	—	—	0	0	0	0	0	0
Cabinet storage (cubic feet)	20	26	26	26	26	41	37	48	50
Portable toilet	0	0	0	0	0	0	0	0	0
Portable toilet storage	—	—	—	—	—	—	—	—	—
Wardrobe rack	0	0	0	0	0	0	0	0	0
Drawers	—	—	—	—	—	3	3	3	3
Sleeping capacity	4	4	4	5	6	6	6	7	7
Mattress size (in)	51 x 72	51 x 72	51 x 72	51 x 72	51 x 72	51 x 72	51 x 72	51 x 72	51 x 72
Mattress thickness (in)	3	3	3	3	3	3	3	4	4
Convertible dinette bed size (in)	40 x 73	40 x 73	40 x 73	40 x 73	40 x 73	40 x 73	40 x 73	40 x 73	40 x 73
Vinyl covered canvas over beds	S	S	S	S	S	S	S	S	S
End bed	—	—	—	—	—	—	—	—	—
Moisture barrier	—	—	—	—	—	—	—	—	—

S.—standard equipment. O.—optional. *As shipped less optional accessories. Weights are plus or minus 3%. †Two positions with ratchet. Due to continuing improvements, The Coleman Company, Inc. reserves the right to make changes in price, color, material specifications and product availability without notice. Camping and trailer equipment shown in product photography or illustrations may be optional at additional costs. Consult your Coleman dealer.



The Coleman Company, Inc.
Camping Trailer Division
Somerset, PA 15501

Copyright © 1982 The Coleman Company, Inc. Form No. CRT 1982-1/83 Litho in U.S.A.