

VersaTrailer®

Specifications

Trailer capacity (GVWR)	1180 lbs.
Safe payload	920 lbs.
Cargo area	18 cu. ft. without top; 36 cu. ft. with top or stake sides
Dimensions	
Length of box	60"
Overall length	102"
Width	49"
Depth	10"
Trailer weight	250 lbs.
Shipping weight	315 lbs.
Hubs	automotive tapered roller bearings
Wheels	steel 4-bolt demountable
Tires	4.80 x 8, 4 P.R. Tubeless
Lights	Meet federal safety standards
Finish	Baked enamel
Coupler size	accepts 1 $\frac{7}{8}$ " ball
Safety chains and automobile pigtail included as standard. Prices and specifications subject to change without notice.	

One wagon did it all...



One trailer does it all.

VersaTrailer®



THE COLEMAN COMPANY, INC.
Camping Trailer Division
Somerset, PA 15501/Phone 814-445-9661

Accessories

Hardwood stake kit—Includes all hardware. Stakes fit into stake pockets mounted on each corner of the trailer . . . **Cycle channels**—Fit all bike sizes. Assures you of safe and easy transportation mile after mile . . . **Weekender kit**—Canvas attachment turns your trailer into a comfortable sleeping compartment for two . . . **ABS plastic cover**—This molded top fits easily into place, no tools needed! Lifts up from the rear and stays propped during loading. Locks up to protect cargo from theft . . . Other accessories include wheel covers, spare tire, tire mount, and foreign car wiring adapter.

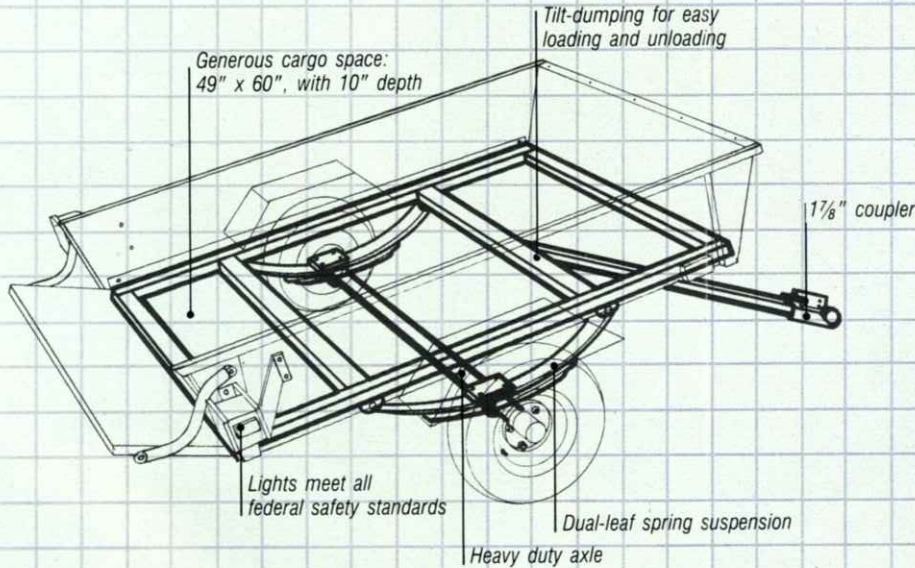
Stake rail kit



Cycle channels



Molded plastic top



Styled wheel covers



Spare tire/Mount

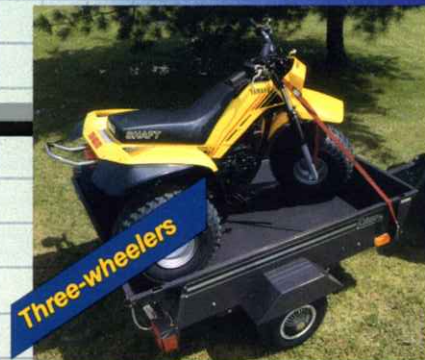
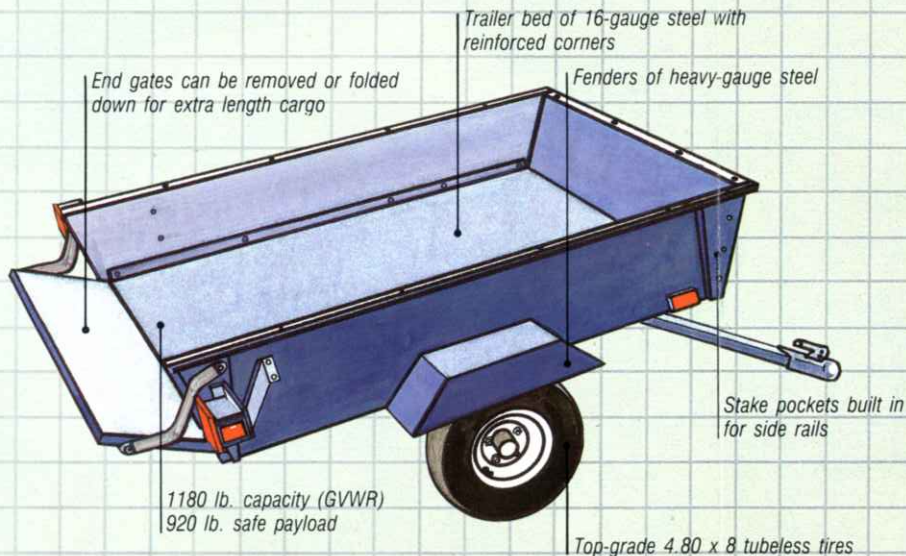


Weekender kit



Features

This rugged, do-everything carrier hitches up and loads easily, totes approximately 1000 pounds smoothly, and unloads fast or tilts for quick and safe dumping. It's roadable, durable, and so everlastingly handy that you'll wonder how you ever managed without it! Along with so many workhorse features, the Versatrailer's modern design and baked enamel finish will complement the good looks of any car. To double the loading space, add either hardwood stake railings or lockable ABS plastic cover.



Fits any car



VersaTrailer®

Here's a versatile, two-wheeled wagon that's ideal for dozens and dozens of hauling jobs on all kinds of terrain, day or night. Fits small cars and small budgets, too. Starts paying for itself right away in time, money, and energy saved. No need to pay delivery charges or rent a truck to move furniture or appliances across town. No need to stuff a car trunk or dirty up a back seat when carting fertilizer, firewood, tools, plywood, or other supplies. And for campers, this easy-tow wagon holds all the luggage, tent, and sports gear an average-sized family needs. So hitch up soon to the VersaTrailer, a load of value!

A fraction of the cost of a pickup truck and three times the carrying capacity of most roof top carriers make VersaTrailer a solid investment.

Practical value



Vacation/Camping



Furniture/Antiques



Building materials



Firewood

