

FLEETWOOD FOLDING TRAILERS, INC.
INSTALLATION INSTRUCTIONS

1968-617
Revised June 2008

PART NUMBER: 4768-3301

Mini-Mach/Super-Mach Air Conditioner Installation Kit for FILON tops only:

MY2007 to Present Americana Series

MY2007 to Present Highlander Series

MY2007 to Present Evolution Series (except E1)

Note: The 4768-3301 kit is designed for installation on Filon Top models only.

IMPORTANT NOTICE

These instructions are intended for the use of qualified individuals specially trained and experienced in installation of this type equipment and related system components. Installation and service personnel are required by some states to be licensed. Persons not qualified should not attempt to install this equipment nor interpret these instructions. Improper installation may cause damage to the equipment and may cause a hazard.

These instructions are for the installation of the air conditioner kit and the air conditioner unit itself. Refer to the instructions included with each air conditioner model for additional mounting details.

This package contains:

1	-	4741B965	Expansion rivet	3	-	4739-415	Nylon clamp
3	-	4745-396	Screw (painted)	1	-	4752-244	Caution decal
1	-	1212-013	Grommet	1	-	1202B269	Flat Washer
1	-	4748A659	Cord	1	-	4303100020	#24221 Loctite
1	-	4723-337	Velcro strap	1	-	4350000047	Eternabond tape
2	-	1107B1012	¾" Screw	1	-	4769-915	Mounting framework

A. INSTRUCTIONS (AIR CONDITIONER KIT)

1. Route the power cord through the pre-drilled roof brace after loosening the roof brace from the mounting bracket on the side closest to the 20 amp electrical outlet. Allow 18" to 24" of the power cord (non-plug end) to remain at the A/C cut-out location for later attachment to the ceiling assembly.

If the roof contains A/C braces made from ALUMINUM, the power cord will run through the slot formed in the roof brace. This slot will be covered by a nylon cover that will need to be removed and reinstalled after power cord is placed in the slot.

IMPORTANT: A 20 amp receptacle is located within the interior wall paneling at the front, rear, or sides of the trailer and can be identified by the short horizontal notch in one leg of the outlet.

2. Remove four accordion rivets from within the ceiling paneling of the top assembly. Using a 1/4" diameter drill bit, drill up through the top at each of the accordion rivets.

WARNING: Always check location of the pre-determined accordion rivets prior to cutting to ensure the correct 14" x 14" opening size, as well as proper clearance from the A/C braces for installation of the A/C unit.

3. Set up bed legs (and glide-out if applicable). Place upper galley in closed position (if applicable) and lower the top until it is resting on the front and rear bed.
4. Carefully place a 3/8 (or thicker) sheet of wood onto the surface of the top prior to climbing out onto the top.

NOTE: This will prevent inadvertent damage to the exterior surface of the top.

5. Using the 1/4" holes drilled in Step 2 as a guide, carefully drill a 1/2 - 3/4" hole DOWN THROUGH the top assembly (use a 1/2 - 3/4" hole saw, not a drill bit or spade bit.)
6. Carefully mark the 14" x 14" A/C cutout opening on the exterior of the top. Mark the hole from the center of each of the 1/2 - 3/4" holes drilled in Step 5. See Figure 1.
7. From the exterior of the top, cut out the A/C opening using a jigsaw with a fine or medium tooth blade. (Do not use a coarse blade). See Figure 1.
8. Use a medium grit file or sanding block to finish the rough-cut edges of the cutout. This will remove any sharp or rough edges that may cause cracks or fractures that may develop in the filon.
9. Clean the surface of the Filon top skin in the area directly adjacent to the cut-out. Remove any fiberglass dust and dirt from this area.
10. Place the stainless steel Mounting Framework (4769-915) on a flat surface upside down as shown in Figure 2. This shows the underside of the framework. From the roll of Eternabond sealing tape (4350000047), cut two pieces of tape 21 inches long and cut two pieces of tape 14 inches long. The Eternabond is very sticky. Use a razor knife on a hard surface to cut the tape into pieces.
11. Remove one side of the protective plastic from each piece of Eternabond sealing tape.
12. Place the pieces of tape on the underside of the framework as shown in Figure 3. Press the tape firmly against the framework, especially at the seam locations. **IMPORTANT: MAKE SURE THE 21 INCH PIECES COVER THE SEAMS AS SHOWN. PLACE THE SEALING TAPE AGAINST THE PERIMETER FLANGE. THE 14 INCH PIECES OF TAPE NEED TO BE PLACED BETWEEN THE LONGER PIECES AS SHOWN IN FIGURE 3.**
13. Remove the other side of the protective plastic from the Eternabond sealing tape installed on the mounting framework. Insert the framework into the roof cut-out and **PRESS THE FRAMEWORK FIRMLY** against the Filon roof skin. Use a rubber mallet if necessary to "tap" the framework against the Filon skin.

14. Apply a bead of Geocel or Silaprene caulking (DO NOT USE SILICONE CAULKING) around the perimeter of the mounting framework. Next, apply a bead of caulking along the four seams in the framework and also the four inside vertical seams where the framework flanges meet. Apply the caulking as shown in Figure 4. **IMPORTANT: MAKE SURE THE CAULKING SEALS THE FOUR CORNERS WHERE THE STEEL OVER-LAPS. USE A PUTTY KNIFE ON THE SEAMS TO PRESS THE CAULKING INTO THE SEAM AND TO FLATTEN THE BEAD WHERE THE A/C MOUNTING GASKET WILL COVER.**
15. Make sure all of the caulking is completely dry before proceeding to Section B.
16. You are now ready to begin the actual A/C installation.

B. INSTRUCTIONS FOR THE ROOF A/C KIT

1. Remove the carton and packaging from the roof air conditioning unit.
2. Prior to placing the A/C unit on the cut-out opening, tilt the unit to expose the foam gasket on the underside of the unit. Apply any brand of clear silicone caulking to the **UNDERSIDE** of the foam gasket as shown in Figure 5. Place one bead of caulking around the inside perimeter edge of the gasket and one bead of caulking around the outer perimeter edge of the gasket. Also, place a bead of caulking along the four corner seams of the gasket. This caulking will help “seal” the foam gasket to the steel mounting framework.
3. Finally, lift and place the A/C unit directly on the prepared roof opening cut-out with the pointed end of the unit facing the front of the trailer and the condensing coil facing the rear. **MAKE SURE THE GASKET IS CENTERED ON THE MOUNTING FRAMEWORK.** The A/C unit may be lifted by its plastic cover.

NOTE: The centering flange on the underside of the A/C unit must be centered over the roof opening cut-out.

IMPORTANT: Different brands of roof A/C’s and ceiling assemblies are not interchangeable. Check individual manufacturer’s recommendations.

C. INSTALLING THE A/C INTERIOR CEILING ASSEMBLY

1. Place the “CAUTION” decal on the ceiling assembly.

Specific instructions for this part of the A/C installation can be found in your installation booklet. Follow these as indicated for proper installation.

NOTE: Apply Loctite (4303100020) to each of the four A/C anchor bolts.

CAUTION: When tightening the A/C anchor bolts, do not exceed 50% of gasket compression or irreversible cell damage to the gasket material will occur. Periodically check tightness of all anchor bolts. (On 8000 series Coleman air conditioners, it will be necessary to remove the ceiling assembly to access the anchor bolts.)

D. WIRING PROCEDURE

D A N G E R – S H O C K H A Z A R D

MAKE SURE THAT THE POWER SUPPLY TO THE UNIT IS DISCONNECTED BEFORE PERFORMING ANY WORK ON THE UNIT TO AVOID THE POSSIBILITY OF SHOCK, INJURY, OR DAMAGE TO THE EQUIPMENT.

1. A wiring access hole through the interior plastic ceiling assembly cover of the A/C should be located 1" down from the top and 2 ½" in from the curbside on the front of the ceiling assembly cover. This hole is located directly adjacent to the pre-drilled hole in the front ceiling brace. See individual manufacturers recommended hole locations included with the ceiling assembly instructions.

If the roof contains A/C braces made from ALUMINUM, the power cord will run through the slot formed in the roof brace. This slot will be covered by a nylon cover that will need to be removed and reinstalled after power cord is placed in the slot.

NOTE: The electrical control box is located on the curbside of the ceiling assembly cover.

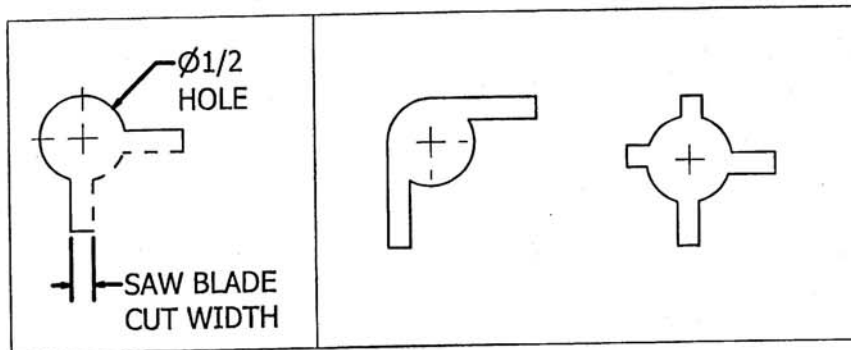
2. Insert wire through enclosed white rubber grommet and the interior plastic ceiling assembly cover.
3. Splice wires color for color with the enclosed wire nuts. Reference the A/C manual.
4. Using electrician's tape, tape the wire nuts securely to the wires.
5. Tighten the strain-relief clamp to secure the 115 volt supply wire in place (Reference the A/C manual). Coil the two connected wire ends and place inside the control box. Reinstall the control box cover. Be sure the thermostat probe is in position, routed through the rubber grommet and not touching any metal. Reference the A/C manual.
6. Make sure the filters are in position in the ceiling assembly cover and are held in place by elastic cords around four retainer pins; if they are not, install them at this time. Reference the A/C manual.
7. Reinstall the interior ceiling assembly and secure with the two screws taken out earlier. Put the control knobs back on the ceiling assembly and turn the selector switch to "OFF."
8. Route the power cord along the top of the roadside or curbside aluminum canvas track toward the 20 amp receptacle, then fasten the cord to the top with the three nylon clamps and three screws provided.
9. Route the power cord along the seat bench frame or curbside cabinet assembly and into the 110 volt, 20 amp receptacle.
10. Drill a 13/64" hole in the corner of the top assembly (through ceiling panel only) coinciding with the routing of the power cord. Fasten the power cord retaining Velcro strap with the expanda-rivet and flat washer provided.

NOTE: Store power cord looped at corner of top assembly prior to closing.

FIGURE 1

CORRECT
CORNER CUT

INCORRECT
CORNER CUT



IMPORTANT: THE PROCEDURE TO CUT-OUT THE A/C HOLE IS THE MOST CRITICAL STEP IN THE A/C INSTALLATION. CRACKS MAY DEVELOP IN THE CUT-OUT CORNERS IF THE 1/2" OR 3/4" HOLES ARE NOT DRILLED ACCORDING TO THE FIGURE ABOVE.

FAILING TO PERFORM THIS PROCEDURE WILL VOID THE TOP WARRANTY.

FIGURE 2

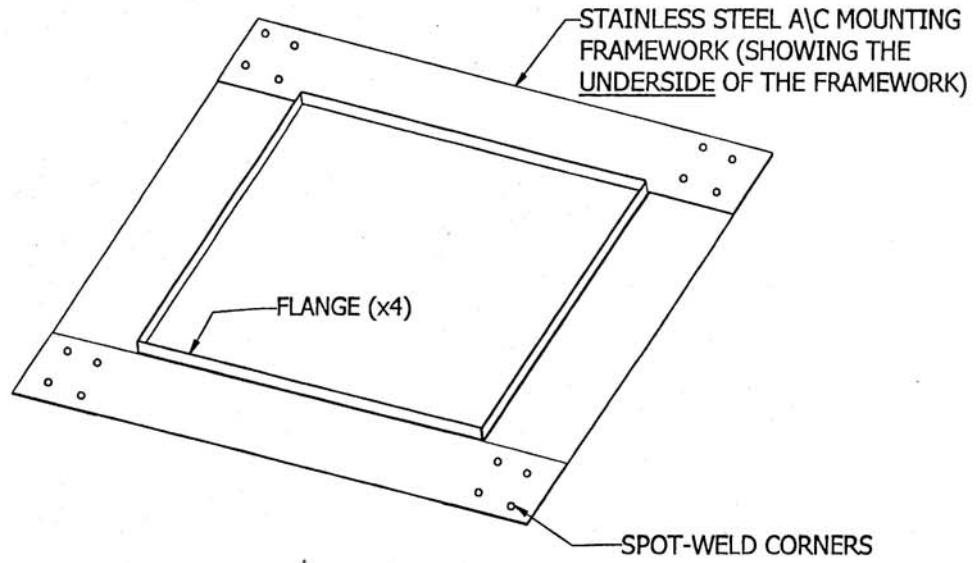


FIGURE 3

PLACEMENT OF 2 1/2" WIDE PIECES OF ETERNABOND SEALING TAPE

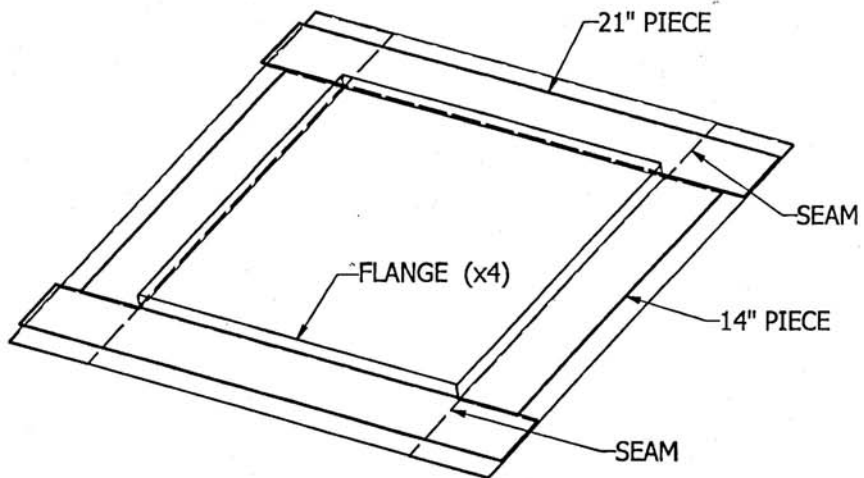


FIGURE 4

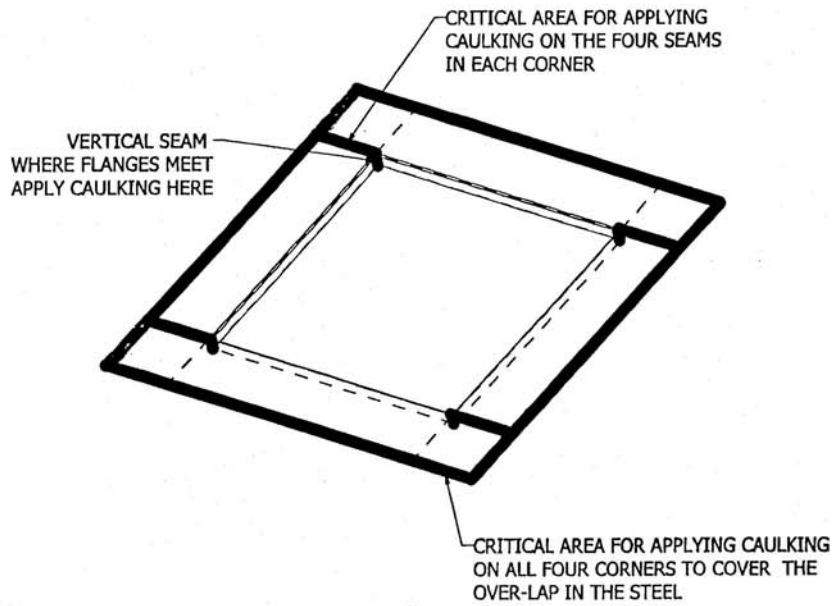
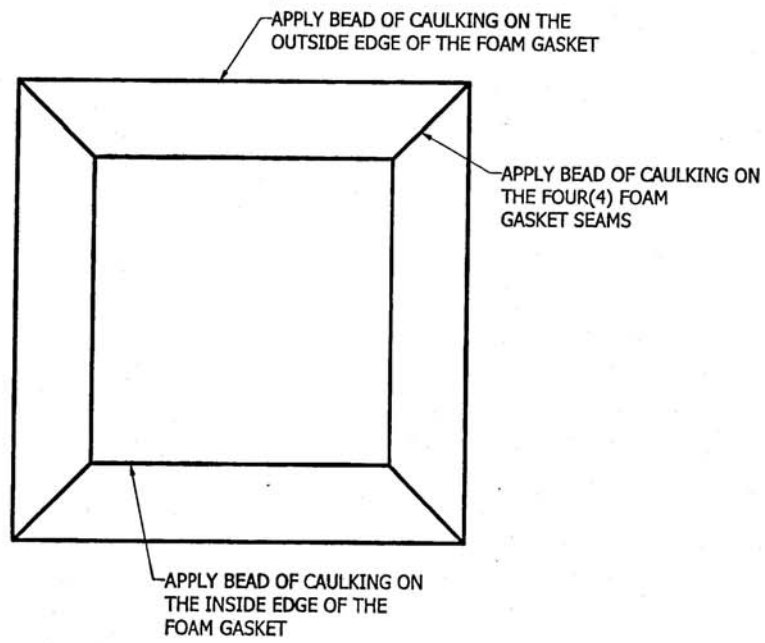


FIGURE 5



UNDERSIDE VIEW OF A\C FOAM GASKET