



PORTABLE REFRIGERATOR

For models manufactured from 2009



OWNER'S HANDBOOK



THE NATIONAL LUNA RANGE OF PRODUCTS HAVE BEEN DESIGNED AND MANUFACTURED IN SOUTH AFRICA SINCE 1989.

EVERY PRODUCT SOLD IS OF THE HIGHEST POSSIBLE QUALITY, MANUFACTURED WITH WORLD-CLASS TECHNOLOGY, MARKETED & SERVICED BY A KNOWLEDGEABLE & DEDICATED TEAM, LOCALLY & INTERNATIONALLY

This manual / handbook is a combined publication, for models manufactured from 2009.

Identify your model and follow the relevant colour coded pages for best use.

National Luna Portable Refrigeration Models:

National Luna Classic Range
40/55/65/80/125



National Luna Dual Control Range
Double Door 72/110
Twin Compartment 60/90



Weekender 50 Twin
Weekender 52



Relevant information, common to all models



Please complete the tear-out return card to register your warranty

National Luna fridges have been tested to international safety specifications

SANS 60335-2-24:2003

IEC 60335-2-24:2002

SANS 60335-1:2007

IEC 60335-1:2006

Index

	Page
Introduction	4
Installation Guidelines	6
Connecting Power	7
Wiring Guidelines	7
Dynamics of Temperature Settings	8
Door Seal and Adjustment	8
Setting the Temperature	9
Celsius / Fahrenheit Conversion Chart	9
Speed Control	10
Battery Protection	11/12
National Luna Classic Range	13
National Luna Double Door and Twin Range (Dual Control)	16
National Luna Weekender Range	20
Troubleshooting	27
General Maintenance	28
National Luna Warranty - South Africa Only	30
- International	31
Care and Cleaning	32

Introduction

Congratulations on the purchase of your National Luna portable fridge / freezer.

The National Luna range of portable fridges and freezers are high-performance, high efficiency refrigerators ideal for harsh conditions and applications that are limited to battery power such as off-road vehicles, caravans and solar installations.

The versatility of each of the National Luna models allows the use of a wide range of AC supply voltage (85V DC - 265V AC) as well as 12-volt or 24-volt battery power (9.6V AC - 31.5V DC).

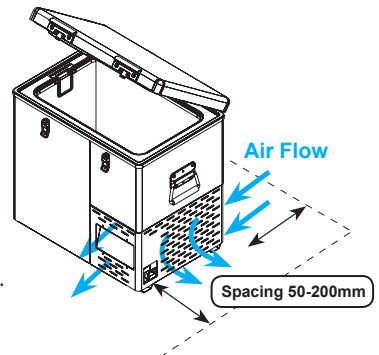
The use of a custom-designed digital thermostat and smart control circuitry ensures temperature stability and low power consumption.

All refrigerator models are built using high quality materials, unique assembly techniques and strict testing procedures to ensure the highest level of quality and performance.

Precautions

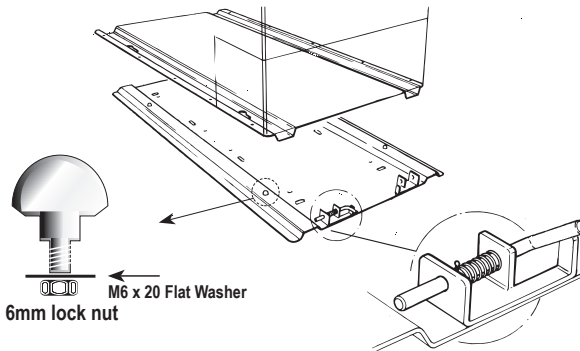
When the refrigerator is used in an automotive application, ensure that it is secured to prevent accidental movement. The carry handles can be used with straps or tie-downs if necessary.

- A base mounting plate is optional and recommended for most applications.
- Ensure the correct type of cable and connectors are used for installation.
- Ensure that any power leads connected to the refrigerator will not be pulled or damaged by any movement of the fridge - especially where slides or drawers are used.
- Do not use a power lead that is damaged.
- Do not connect the refrigerator to a power source that does not comply with the input power specifications. (Displayed on the fridge's rear panel)
- When storing the fridge, ensure that the lid is propped open to allow for breathing. Disconnect the appliance from an electrical source. (Note: When the fridge is switched off, the interior light will still function if the unit is connected to a power source).
- Allow a 50-200 mm gap around the refrigerator compressor area for ventilation (Airflow). The higher the ambient temperature, the more ventilation space is required for efficient airflow and cooling. (In the case of inefficient airflow and cooling, the compressor will automatically shut down - see page 12 and 27 for troubleshooting).
- Do not block or cover the ventilation holes. (During off-road conditions items may become lodged around the cooling area).



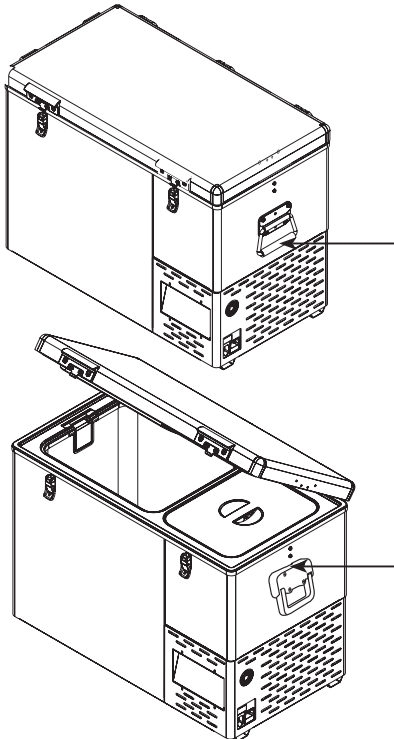
Securing your fridge in a vehicle using a Base Mounting Plate

A low-profile design with locking pin, this base offers a fixed mounting position with an easy to remove mechanism. The optional base mounting plate allows the refrigerator to be securely fastened to the floor or body of the vehicle.



The unique locking design ensures that the fridge remains fixed in position even in the worst off-road conditions.

Securing your fridge in a vehicle using Tie-Down Straps



For models produced prior to December 2015 a stainless steel carry handle was used.

A hold down strap can be fitted around the carry handle as indicated. (Care must be taken not to over-tighten the hold-down strap when using a ratchet device, as this may cause the handle to bend).

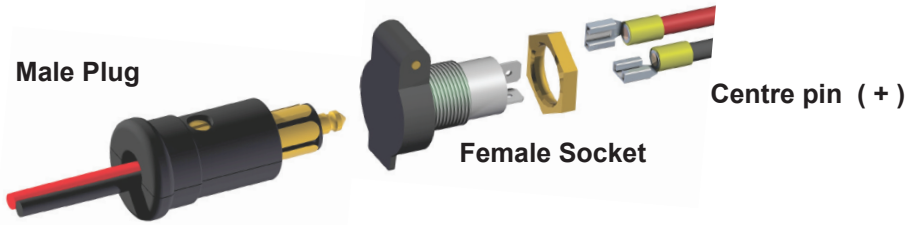
From December 2015 a more sturdy and functional carry handle was introduced into production.

A hold down strap can be fitted in the slot provided as indicated.

Installation guidelines

When installing the refrigerator into a vehicle for the first time, ensure that the electrical connections to the vehicle's battery are secure and the specified wiring is used.
(See wiring guidelines on page 7)

The fridge is supplied with a pre-made cable for use with a 12 / 24-volt DC supply.
This cable is terminated with a high-quality male plug for connection into your vehicle.



1. Install the supplied female socket into your vehicle in a convenient location.

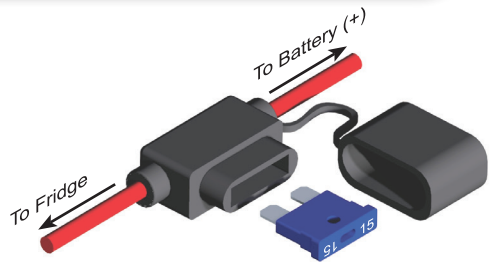
2. Use a suitable cable to connect the socket to the vehicle's battery.
A cable thickness of 4mm² or greater is recommended.



When installing electrical outlets in your vehicle, do not rely on the vehicle's body for an electrical earth.

Fitting an in-line fuse

Although the fridge has a built-in fuse, it is recommended to install an additional fuse on the positive wire as close to the battery as possible. This will protect against short-circuits that may occur along the length of the cable. Ensure that all connections are properly crimped and insulated.

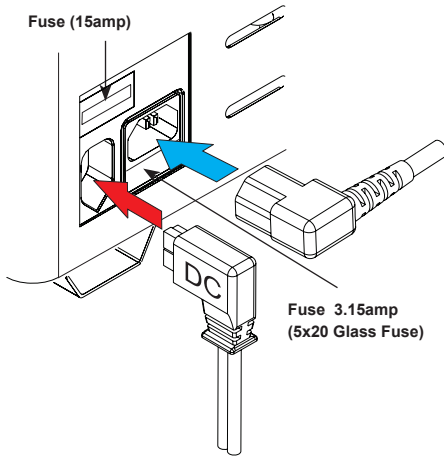


An automotive fuse with a rating of 15A is recommended

If you choose to change the attached plug on the DC cable for a different type, first ensure that the power has been disconnected before cutting it.

Split and strip the wires as required for the new plug. Take care to ensure that the correct polarity is used on the plug and crimp the connections where possible.

Connecting power



All National Luna Portable refrigerators can accept a DC voltage ranging from 9.6V to 31.5V, as well as an AC voltage range from 85V to 265V.

Both power inputs are fuse protected :

- 3.15A Time-lag fuse for AC input.
- 15A automotive blade fuse for DC input.

An AC and DC source can be connected to the refrigerator simultaneously. Under these conditions, the AC supply will be chosen as the primary power source.

If the AC supply is interrupted, the DC supply will be automatically selected and operation will continue normally. (After a 1 minute delay)

Suggested Wiring Specifications / Guidelines

One of the most problematic issues with installing a 12-volt refrigeration system is incorrect wiring. Most users do not understand the importance of maintaining battery voltage over the distance from the battery to the installed fridge.

While most car cigarette lighter sockets appear to be adequate, in practise a large voltage drop occurs between the socket and the car battery. This may result in the fridge shutting down as a result of a low-voltage condition.

It is recommended the following table be used as a guide to establish what cable thickness is to be used depending on the distance from the car battery to the fridge. As a rule of thumb one should use a 1.0 mm² multi-strand copper wire per meter of distance from the battery.

Cable Size	Max Length between battery & fridge	
	12 Volt Operation Meters	24 Volt Operation Meters
4	4	8
6	6	12
10	10	20

Note: Two wires (positive and negative) must be connected from the battery to the fridge / plug point.

Dynamics of Temperature Settings

The compressor is controlled by the digital thermostat setting.

The Danfoss designed BD35F compressor is used on all of the National Luna fridge/freezer product range.

Developed in Germany, it has a unique Multi - Speed (2,000 - 3,500 rpm) capability which makes it ideal for use in all mobile applications up to an angle of 35 degrees. It can function efficiently in extreme conditions where it is not uncommon to have ambient temperatures above 40°C.

Inner Bin / Cooling Compartment

To control temperature, the thermostat sensor must be placed in a position in order to take a temperature reading.

For practical purposes National Luna has elected to place this temperature sensor on the metal surface forming the interior bin of the fridge/freezer. Thus the switching on and off of the compressor will be controlled by the bin surface area temperature.

The inner volume of the cooling bin (i.e. core/centre temperature) will take time to “pull down” to equalise the bin temperature. (In practise it is common that the set temperature will be within 3°C of the core temperature).

Ambient temperatures surrounding the fridge must also be taken into consideration. Very high outside temperatures will play a major role in the running time of the fridge. (e.g. The fridge will run longer to maintain or reach the target temperature set).

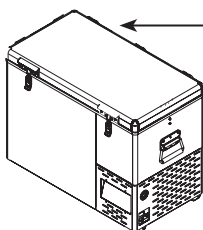
When setting temperatures below -12°C the refrigeration system will have a larger temperature range between switching on and off

Door seal and adjustment (Loose latch condition)

The National Luna refrigerators utilise a multi-cavity door seal which gives exceptional sealing capability. Under hot conditions, and after loading the fridge, the door could be “sucked” closed. (A vacuum is formed inside the fridge causing difficulty to open and a temporarily loose latch condition).

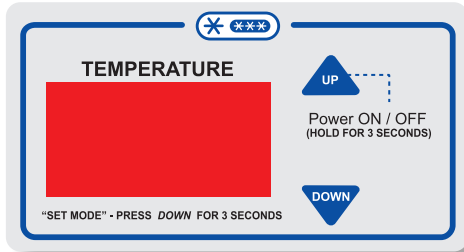
The material used tends to be soft and pliable under warm conditions and may harden during cold/winter conditions tending to retain it's compressed state. (The door catches can be slightly loose under this condition). By carefully using a hair dryer the seal can also be softened and returned to it's expanded state.

It is very simple to adjust the door lid hinges at the rear of the fridge to compensate for this “play/loose door catch condition”. Loosen the screws of the door hinges on the main body of the fridge (bottom part of the hinge) Lightly depress the back of the door lid evenly on it's length and re-tighten the screws. The door latches will now be tight.



Loosen, adjust lid,
and re-tighten screws.

Setting the Temperature



The digital thermostat fitted to the National Luna Portable refrigerator allows accurate setting of the desired cooling temperatures.

With the single compartment refrigerators, temperatures can be selected between +20°C and -30°C in 1°C increments.

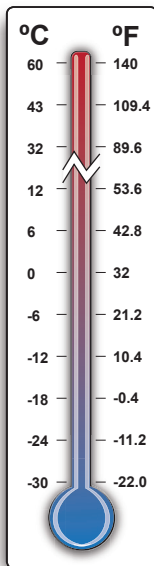
When powering up the fridge the first time, the temperature inside the fridge will be reflected on the display. (NOTE: the previously set temperature will be in memory)

To select the new cooling temperature, press and hold the **DOWN** button until the display starts to flash. (The previous set temperature will be displayed).

Press **UP** or **DOWN** to raise or lower the desired temperature. The thermostat will accept the new setting and exit the setting mode 10 seconds after the last button was pressed. (It will now remember the new set temperature).

The temperature display will reflect the inner bin temperature prior to the new setting. Provided the new setting is colder, the compressor will then switch on and cool the fridge further to the set point. (During this time the run indicator light will be displayed).

Temperature Guidelines



The following table is a guideline to setting the correct temperature range for different foodstuffs.

Recommended choice of temperatures	
Fresh fruits & vegetables Dairy products Smoked / prepared meats	3°C to 6°C
Cold beverages	0°C to 4°C
Short-term frozen meats	-6°C to -11°C
Frozen meats and fish Ice cream / frozen desserts	-18°C

Introduction to Smart Compressor Speed Control

National Luna developed a Smart Compressor Control (advanced automatic speed control) function which has been fitted as standard to all current models.

- **Logic 1 (Setting the bin temperature in a range of +20°C to -11°C).**

The compressor will operate at 3 speeds : low 2,000 rpm, medium 2,750 rpm and high 3,500 rpm. On initial start-up the fridge will automatically run at full speed to bring the inner bin temperature down as fast as possible. It will then step down to medium speed to reach the set temperature point where the fridge will then switch off. Temperature will then be maintained at low speed.

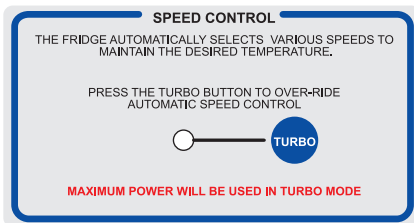
This logic makes the fridge operate and maintain the desired bin temperature under all ambient temperature conditions optimising performance and efficiency.

Should the temperature of the fridge contents change, such as when fresh foodstuffs are added, the fridge will automatically speed up to cool the new contents.


- **Logic 2 Deep Freezing (Setting temperature below -11°C).**

When temperatures are set below -11°C, the Smart Compressor Control will operate at high speed (initial start-up) to bring temperature down as fast as possible to the desired set point. Thereafter temperature will be maintained at medium speed.

Speed Control



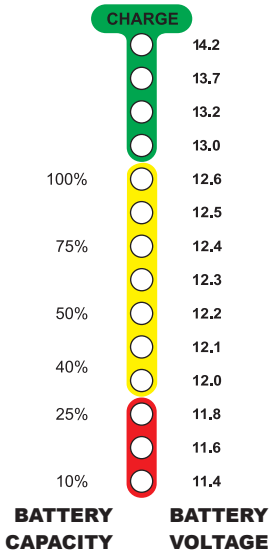
National Luna refrigerators have an advanced speed control which will vary the speed of the compressor in order to conserve power and optimise performance.

For situations where maximum cooling power is required, press and hold the “Turbo” button until the indicator is illuminated. 

This will bypass automatic control and force high speed operation.

Selecting the “Turbo” mode will over-ride the Smart Control function and the unit will run at maximum speed

Battery Voltage vs Capacity



- Voltage of a battery can be an indication of its “state-of-charge”.
- The voltage-capacity relationship is most accurate when the fridge is not running and the battery temperature is at 25°C.
- By measuring the voltage, we can estimate the amount of energy remaining in the battery.
- Changes in temperature, battery age and general battery health can influence this relationship and therefore result in inaccurate capacity measurement.
- Normal battery operation takes place between 12.0 and 12.6 volts.
- Depending on the manufacturer’s specifications a normal car’s alternator charges between 13.7 and 14.2 volts.
- A battery should not be discharged below 11.8 volts as a general rule. A “deep-discharged” battery should be recharged as soon as possible to prevent permanent damage.


Danfoss Low Voltage Battery Protection

The Danfoss electronic control unit will cut-out at the low / medium / high selected setting. Once the compressor has cut-out, it will not restart (cut-in) until the voltage rises. The table below reflects the set points.

Battery Protection	12 VOLT		24 VOLT	
	Cut-out	Cut-in	Cut-out	Cut-in
LOW	9.6	10.9		
MED	10.4	11.7	22.8	24.2
HIGH	11.3	12.5	24.6	26.0

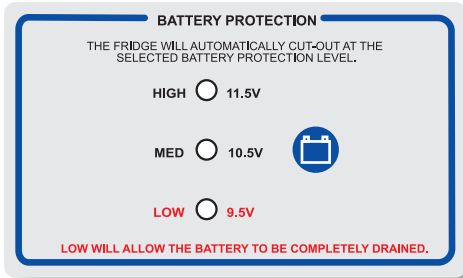
Note: these values are measured at the Danfoss control unit input. It is important to note that poor / thin wiring and bad connections to the battery can cause a large voltage drop. When this occurs the fridge switches off and will re-start again on a repeat cycle “hunting”.

NOTE: When connecting the fridge for the first time, it will look at the cut-in voltage. If the battery protection is set on “High” the initial cut in voltage will be 12.5. If the battery is not fully charged the fridge will not start. Simply select “low” to start. When selecting “Low” the fridge will operate within a voltage supply of 9.6-31.5volts.




When using the unit in a 24-volt application do not select battery protection “LOW” as this may completely drain the battery bank. (Causing permanent damage to the batteries)

Battery Protection Settings



The refrigerator is equipped with a multi-level battery protection circuit. The user has the choice of three voltage levels at which the compressor will shut down to protect against excessive battery discharge. (See page 11)

To change the protection level, press and hold the  button until the preferred level is reached.

When powered by an AC source, the battery protection level can be changed but will only affect operation when the DC source is used.



Selecting the “**Low**” cut-out setting can cause excessive discharge resulting in damage to the battery.

Indicator Lights

Status indicators will identify the current operation of the refrigerator.

- RUN -** This indicator will be illuminated whenever the fridge compressor is running and the compartment is being cooled.
- FAULT ID -** This indicator is used to identify fault conditions that may occur with the refrigerator such as low power supply. This indicator will flash a pre-determined number of times every 4-seconds when a particular fault occurs (see table below). Also refer to page 27.

# of flashes	Fault description (See Troubleshooting page 27)
1	Low voltage. This is shown when the DC supply voltage is low. The battery could be flat, wiring losses are too high or there is a poor connection to the power source.
2	Fan over-current cut-out. There is a problem with the ventilation fan. It is possible that the ventilation fan is damaged.
3	Motor start error. The compressor has not started successfully. This can happen in extreme environments where the refrigerator is heavily loaded and temperature is very high.
4	Minimum speed error. The motor cannot maintain a minimum speed of 1900 rpm. This can be the result of an internal electronics failure.
5	Thermal cut-out. The electronic circuitry has over-heated. This happens in very hot environments. This can occur when the fridge is over-loaded with warm contents and the ambient temperature is high. The electronics will re-set when the temperature has dropped.



National Luna Classic Range 40/55/65/80/125

Introduction

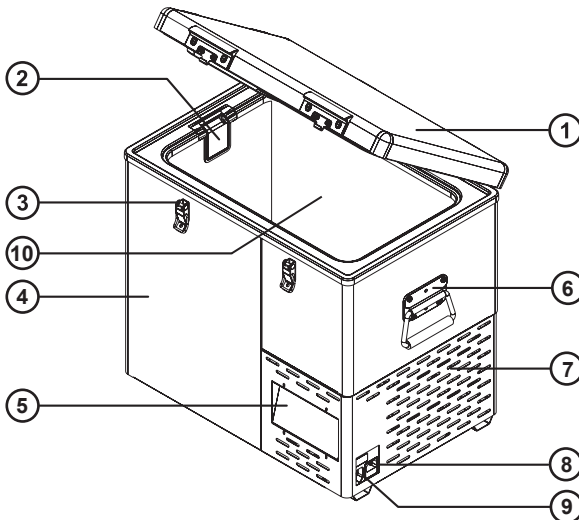
Developed for performance at high ambient temperatures, minimum power consumption and high operating efficiency, these single compartment fridges are recognised as the most powerful in the world.

Low power consumption is achieved using 60mm high-density insulation and a very compact design.

With the aid of an integrated electronic thermostat these units can be accurately set as a fridge or as a freezer.

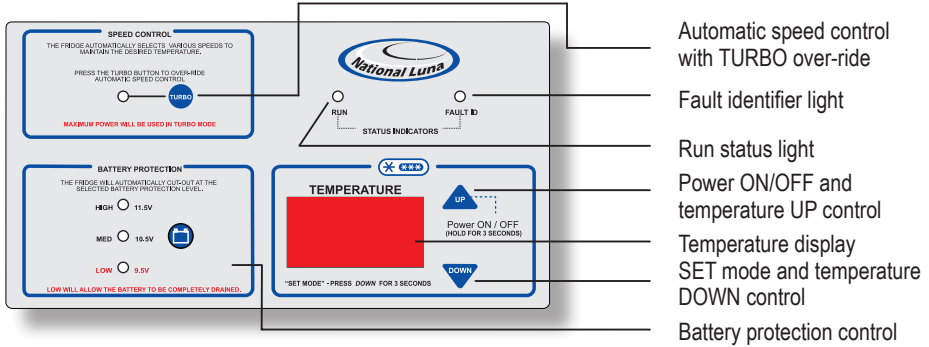
Getting to know your portable fridge

Single door (40 - 55 - 65 - 80 - 125)

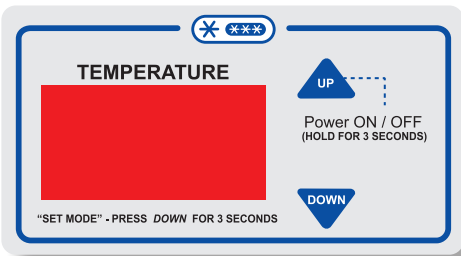


1. Lid
2. LED Interior light
3. Lid locking latches
4. Cabinet exterior
5. Control panel
6. Carry handles
7. Compressor area
8. AC input with fuse (3.15A)
9. DC input with fuse (15A)
10. Cooling Bin (Evaporator)

Control Panel



On / Off control



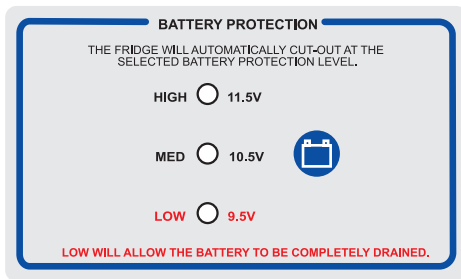
The refrigerator can be turned **ON** and **OFF** via the control panel.

Press and hold the  button for 3 seconds to turn the fridge **ON** or **OFF**.

If power to the refrigerator is interrupted, it will default to **ON** automatically.


Note: When the fridge is switched off, the interior light will still function if the unit is connected to a power source.

Battery Protection



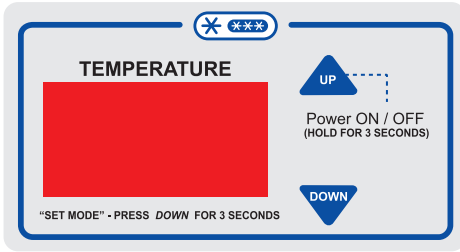
The refrigerator is equipped with a multi-level battery protection circuit.

The user has the choice of three voltage levels at which the compressor will shut down to protect against excessive battery discharge.

To change the protection level, press and hold the button  until the preferred level is reached.

When powered by an AC source, the battery protection level can be changed but will only affect operation when the DC source is used. (Refer to page 11 and 12).

Setting the Temperature



The digital thermostat fitted to the National Luna Portable refrigerator allows accurate setting of the desired cooling temperatures.

With the single compartment refrigerators, temperatures can be selected between +20°C and -30°C in 1°C increments.

When powering up the fridge, the temperature inside the fridge will be reflected on the display.

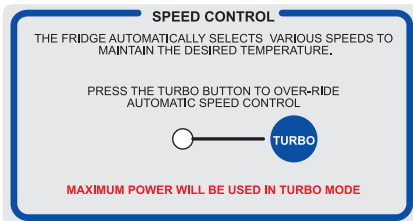
(NOTE: the previously set temperature will be in memory)

To select the new cooling temperature, press and hold the **DOWN** button until the display starts to flash. (The previous set temperature will be displayed).

Press **UP** or **DOWN** to raise or lower the desired temperature. The thermostat will accept the new setting and exit the setting mode 10 seconds after the last button was pressed. (It will now remember the new set temperature).

The temperature display will reflect the inner bin temperature prior to the new setting. If the new setting is colder, the compressor will then switch on and cool the fridge further to the set point. (During this time the run indicator light will be displayed).

Speed Control



National Luna refrigerators have an advanced speed control which will vary the speed of the compressor in order to conserve power and optimise performance.

For situations where maximum cooling power is required, press and hold the “Turbo” button until the indicator is illuminated. **TURBO**

This will bypass automatic control and force high speed operation. (Refer to page 10)



Using the TURBO function can increase power consumption



Dual Control Technology

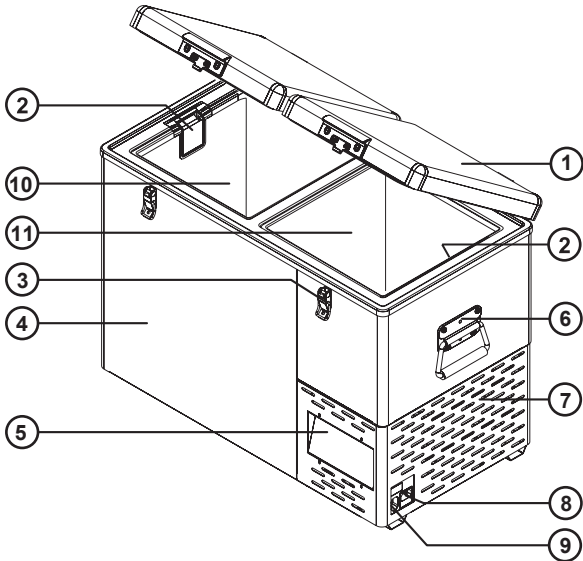
Double Door 72/110 Twin Compartment 60/90

Introduction

The Double door and Twin fridges in this range have only one compressor, but due to National Luna's unique Dual Control technology, the fridge and freezer compartments can be set independently. This is like having two fridges in one.

The Double Door range has two lids, one for each compartment.

Double Door Range (72/110)



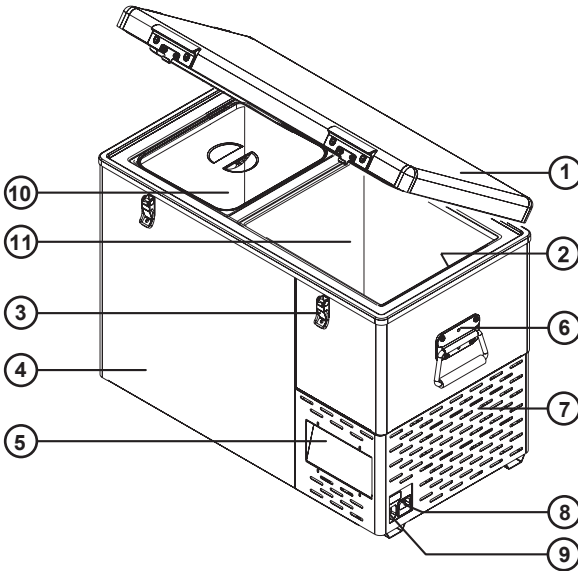
1. Lid
2. LED Interior light x 2
3. Lid locking latches
4. Cabinet exterior
5. Control panel
6. Carry handles
7. Compressor area
8. AC input with fuse (3.15A)
9. DC input with fuse (15A)
10. L/H Cooling Bin - Freezer
11. R/H Cooling Bin - Fridge

60/90 Twin

The Twin has one lid covering both compartments.

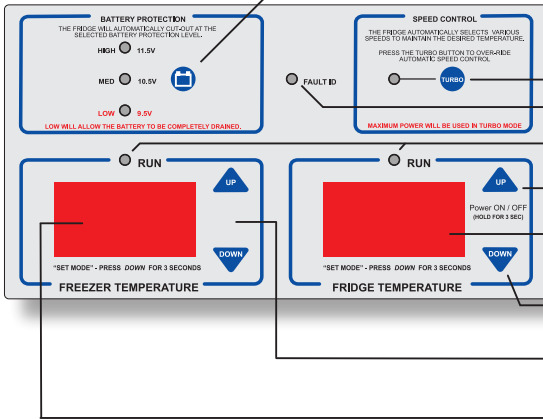
By reducing the fridge side insulation to 42mm thickness, National Luna offers a fridge/ freezer to meet the demand for maximum fridge capacity where space is limited.

The freezer compartment has a separate internal lid. This prevents cold air escaping from the freezer when the main lid is opened, adding to the efficiency and ensuring stable temperatures within.



1. Lid
2. LED Interior light
3. Lid locking latches
4. Cabinet exterior
5. Control panel
6. Carry handles
7. Compressor area
8. AC input with fuse (3.15A)
9. DC input with fuse (15A)
10. L/H Cooling Bin - Freezer
11. R/H Cooling Bin - Fridge

Control Panel



Battery protection control

Automatic speed control with TURBO over-ride

Fault identifier light

Individual run status lights
Power ON/OFF and fridge temperature UP control

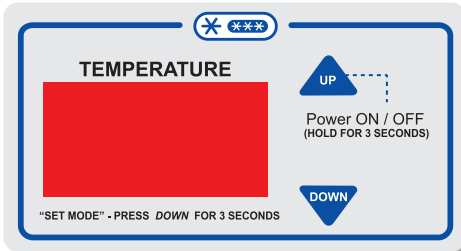
Fridge temperature display

Fridge SET mode and temperature DOWN control


Freezer SET mode and temperature UP / DOWN

Freezer temperature display

On / Off control



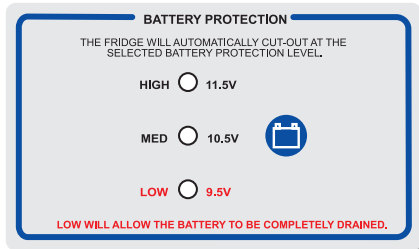
The refrigerator can be turned **ON** and **OFF** via the control panel.

Press and hold the  button for 3 seconds to turn the fridge **ON** or **OFF**.


If power to the refrigerator is interrupted, it will default to **ON** automatically.

Note: When the fridge is switched off, the interior light will still function if the unit is connected to a power source.

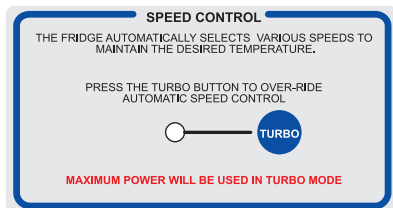
Battery Protection



The user has the choice of three voltage levels at which the compressor will shut down to protect against excessive battery discharge.

To change the protection level, press and hold the  button until the preferred level is reached. (Refer to page 11 and 12).

Speed Control

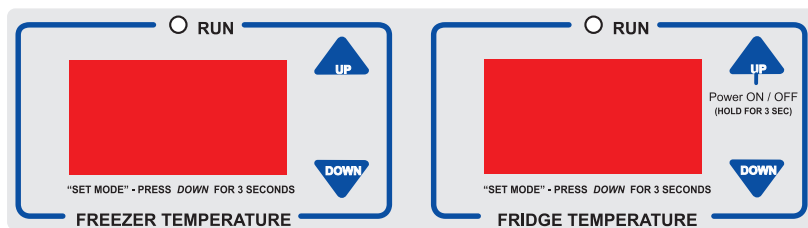
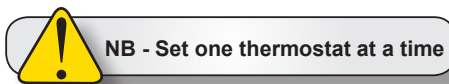


National Luna refrigerators have an advanced speed control which will vary the speed of the compressor in order to conserve power and optimise performance.

For situations where maximum cooling power is required, press and hold the "Turbo" button until the indicator is illuminated.

This will bypass automatic control and force high speed operation. (Refer to page 10)

Setting the Temperature






Model 60/72/90/110 Refrigerators have dual thermostats allowing individual temperatures to be selected for each of the cooling bins.

The “FREEZER” bin has a temperature range between +20°C and -24°C.

The “FRIDGE” bin has a temperature range between +20°C and -12°C.

It is important that the freezer thermostat should be set at the same or colder temperature than the fridge thermostat. This will ensure temperatures are accurately maintained and the refrigerator operates efficiently.

To select the cooling temperature, press and hold the  button until the display starts to flash.

Press  or  to raise or lower the desired temperature. The thermostat will accept the new setting and exit the setting mode 10 seconds after the last button was pressed.

The same procedure is used on both thermostat controls.

(NOTE: You can only set one thermostat at a time).

The dual control will first cool the R/H fridge bin before switching to the L/H freezer bin.

The setting of the L/H bin as a fridge, and the R/H bin as a freezer **is not an option**. The reason for this is that in order to achieve maximum efficiency (i.e. the lowest average battery power consumption), the gas-flows within the unit are intentionally biased to flow from the R/H bin to the L/H bin. Thus the freezing gas could flow from the R/H bin and freeze the contents of the L/H bin.

Recommended Temperature Settings		
	L/H Freezer Bin	R/H Fridge Bin
Fridge / Freezer	6	6
Freezer / Fridge	- 6	2
Freezer / Freezer	-12	- 6
Deep Freeze / Freezer	-18	-12



Weekender 50 TWIN

Weekender 52 SINGLE

Introduction

The National Luna Weekender is a high-performance, low-power portable refrigerator designed primarily for use in mobile applications.

By reducing the insulation to 42mm thickness, National Luna offers a lightweight fridge/freezer to meet the demand for maximum fridge capacity where space is limited.
(Average Power consumption of these fridges would be slightly higher than the 60mm insulation range).

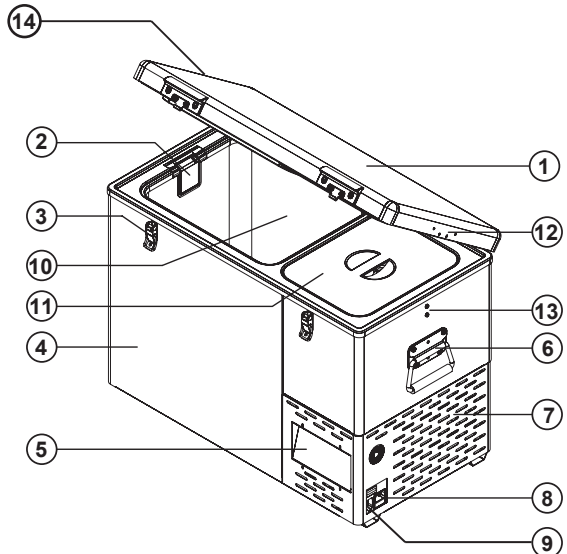
50 Twin

The Weekender 50 Twin is split into a 40-litre fridge compartment and a 10-litre freezer compartment. Under normal operating conditions, the larger compartment is used as a fridge and the smaller compartment will attain sub-zero temperatures.

The freezer bin of the Weekender 50-Twin has a separate internal lid. This prevents cold air escaping from the freezer when the main lid is opened, adding to the efficiency and ensuring stable temperatures within.

Weekender 50 Twin

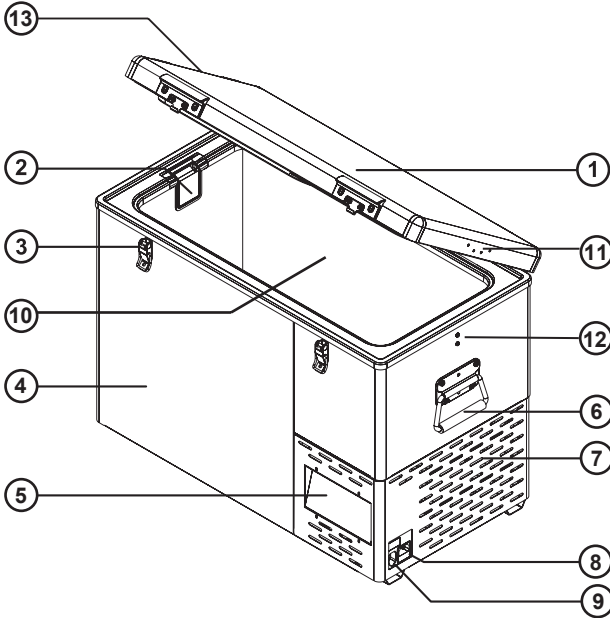
1. Lid
2. LED Interior light
3. Lid locking latches
4. Cabinet exterior
5. Control panel
6. Carry handles
7. Compressor area
8. AC input with fuse (3.15A)
9. DC input with fuse (15A)
10. Fridge Bin (40 Lt) Evaporator
11. Freezer bin (10 Lt) with inner lid
12. Alternative lid handle position
13. Alternative lid latch position
14. Alternative lid hinge positions



52 Single Bin

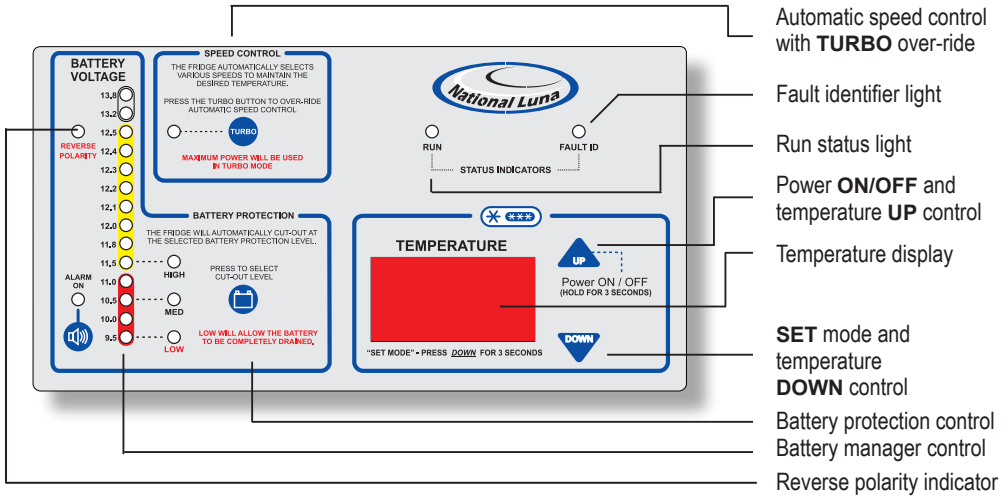
This model has been designed to operate as a fridge or freezer and the bin temperature can be set between +20°C and -30°C.

Weekender 52

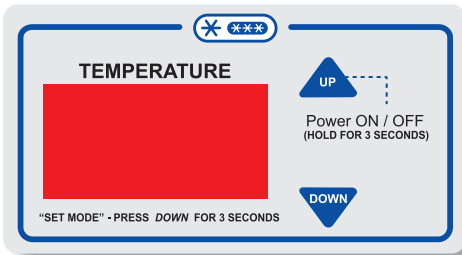


1. Lid
2. LED Interior light
3. Lid locking latches
4. Cabinet exterior
5. Control panel
6. Carry handles
7. Compressor area
8. AC input with fuse (3.15A)
9. DC input with fuse (15A)
10. Cooling Bin (Evaporator)
11. Alternative lid handle position
12. Alternative lid latch position
13. Alternative lid hinge positions

Control Panel



On / Off control



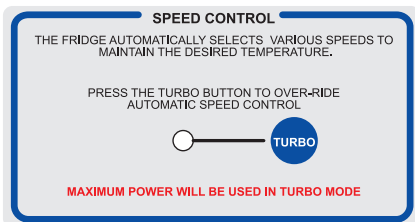
The refrigerator can be turned **ON** and **OFF** via the control panel.

Press and hold the **UP** button for 3 seconds to turn the fridge **ON** or **OFF**.

If power to the refrigerator is interrupted, it will default to **ON** automatically.

Note: When the fridge is switched off, the interior light will still function if the unit is connected to a power source.

Speed Control



National Luna refrigerators have an advanced speed control which will vary the speed of the compressor in order to conserve power and optimise performance.

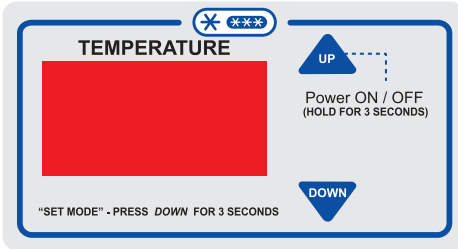
For situations where maximum cooling power is required, press and hold the "Turbo" button until the indicator is illuminated. **TURBO**

This will bypass automatic control and force high speed operation. (Refer page 10).



Using the TURBO function can increase power consumption

Setting the Temperature - 50 Twin






The digital thermostat fitted to the National Luna Portable refrigerator allows accurate setting of the desired cooling temperatures in the left hand fridge bin. (40 Litres)

Bin temperatures can be selected between +20°C and -12°C in 1°C increments.

When powering up the fridge, the temperature inside the fridge will be reflected on the display.

(NOTE: the previously set temperature will be in memory)

To select the new cooling temperature, press and hold the  button until the display starts to flash. (The previous set temperature will be displayed).

Press  or  to raise or lower the desired temperature. The thermostat will accept the new setting and exit the setting mode 10 seconds after the last button was pressed. (It will now remember the new set temperature).

The temperature display will reflect the inner bin temperature prior to the new setting. Provided the new setting is colder, the compressor will then switch on and cool the fridge further to the set point. (During this time the run indicator light will be displayed).

Temperature dynamics of this unique fridge/freezer

- The 50 Litre Twin operates on a ratio of cooling capacity between the fridge and the freezer bin.
- The thermostat control is placed on the fridge bin side and controls fridge temperature only.
- The freezer has more cooling capability than the fridge compartment and will cool down to approximately 10°C colder than the fridge.
- The thermostat may be set down as low as -12°C which will aid the cooling down of a large volume of warm goods which have been placed in the fridge. Under this condition the compressor will run at high speed and possibly continuously if the ambient temperature is very high. The freezer compartment could get extremely cold (i.e -25°C). It is not ideal to run the fridge bin at low temperatures with the intention of running a dual freezer combination.

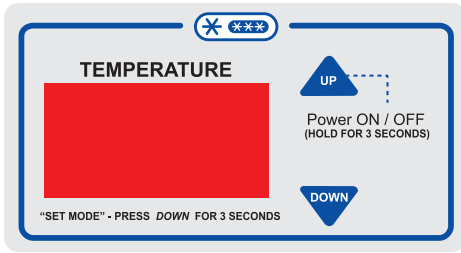
This unit was not designed primarily to be used as a dual freezer.

Should the user choose to do so, power consumption will increase above single bin freezers.



During times when the ambient temperature surrounding the Weekender 50-Twin is below the thermostat setting, the fridge will not be required to run. Under this condition, the freezer compartment will not cool as this requires the fridge compartment to be cooled. This condition may occur during winter months if the thermostat is not set to a lower temperature than ambient.


Setting the Temperature - 52





The digital thermostat fitted to the National Luna Portable refrigerator allows accurate setting of the desired cooling temperatures.

With the single compartment refrigerators, temperatures can be selected between +20°C and -30°C in 1°C increments.

When powering up the fridge, the temperature inside the fridge will be reflected on the display. (NOTE: the previously set temperature will be in memory)

To select the new cooling temperature, press and hold the  button until the display starts to flash. (The previous set temperature will be displayed).

Press  or  to raise or lower the desired temperature. The thermostat will accept the new setting and exit the setting mode 10 seconds after the last button was pressed. (It will now remember the new set temperature).

The temperature display will reflect the inner bin temperature prior to the new setting. Provided the new setting is colder, the compressor will then switch on and cool the fridge further to the set point. (During this time the run indicator light will be displayed).

The user must take into account that the unit has thinner insulation than the classic range.




Note: Setting the fridge at very low temperatures in high ambient conditions can increase power consumption.

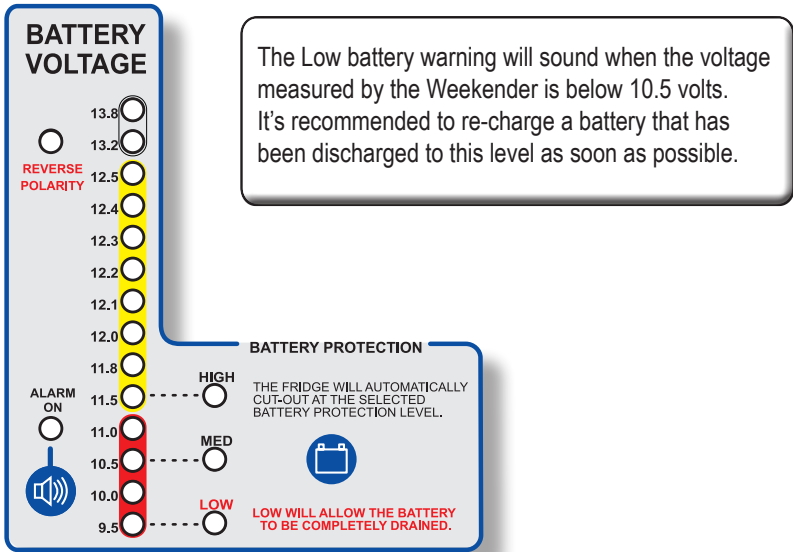
Battery Monitor and Protection

The Weekender is equipped with a battery monitor and low-battery “cut-out” protection circuit.

The monitor is intended to give an estimate of the available remaining energy in a 12-volt lead-acid battery. (For 24V systems the indicated battery voltage should be multiplied by two).


The battery monitor has a built-in low voltage alarm which provides audible warning of a low-battery condition. To activate the alarm, press and hold the  button until the “ALARM ON” indicator is illuminated.

In the event of incorrect polarity, the reverse polarity indicator will be on and the fridge will not operate until the wiring is correctly connected.



Combined with the battery monitor is a 3-stage battery protection “cut-out”. This feature is used to prevent the battery from being excessively discharged.

The user has the choice of 3 protection levels. These are linked to the voltages indicated on the battery monitor, and indicate at which voltage the fridge will cut-out.

Press and hold the  button until the desired level is obtained.

The “MED” and “LOW” settings allow a deep discharge of the battery. However, due to possible wiring loss in the application vehicle, the voltage detected by the Weekender may be lower than the actual battery voltage. (See page 7)

For an accurate voltage reading the fridge should not be running.

Dual-direction Lid

A special feature of the Weekender is the ability to change the direction in which the lid opens.

The most common configuration is the front-opening direction (shown).

If the application prevents the lid from opening fully or the refrigerator is installed long ways into a vehicle, it may be advantageous to use the side-opening configuration.

The Weekender is supplied in the front-opening configuration. In order to change the lid direction, follow these steps :

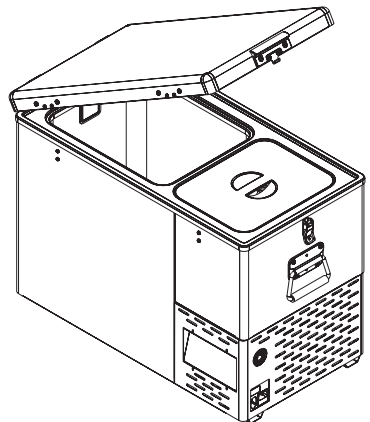
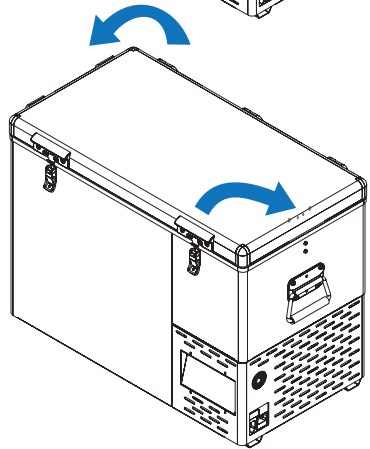
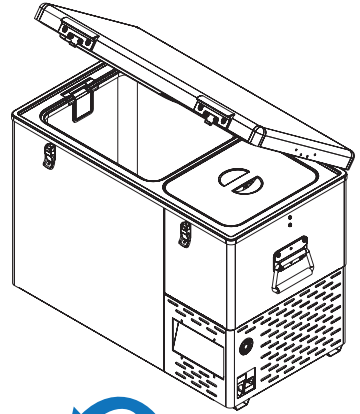
1. Close the lid. Remove both front latches and lid handles.
2. Re-fit one of the latches and lid handles to the alternative latch positions on the side of the refrigerator. (Keep the spare parts safe)
3. Remove all three hinges from the rear of the refrigerator. Also remove the hinge cover plates from the alternative hinge locations.
4. Re-fit two of the hinges on the side of the refrigerator.
5. Align the lid and ensure that it closes fully before tightening the screws.
6. Keep the spare hinge and screws in a safe place.

The Weekender will now be in the side-opening configuration

NOTE: Take care not to apply excessive pressure when locating the screws to the inside retaining nuts. (They can be pushed too far back or incorrectly angled).

Three hinge cover plates are supplied (2 fitted) with the Weekender for covering the unused hinge holes.

Tip - The optional Weekender protection jacket has a side pocket which is ideal for keeping the spare hinge and latch parts.



Troubleshooting (Refer also to Page 4 and 12)

In the event of unusual or undesired operation, consult the table below before contacting a service agent.

Problem	Possible Cause	Remedial Action
The fridge will not run when connected to 12V, but only when connected to 230V mains.	12 Volt polarity reversed. The battery is discharged. The DC supply has inadequate wiring, causing voltage loss. (See page 7 and 11)	Check polarity to battery is correct. Recharge the battery. Ensure all connections are secure. Ensure supply has 4mm ² wire or thicker and that the vehicle's body is not used as an earth.
Fault ID light flashes once every 4 seconds.	Fridge is initially connected to a battery that is not fully charged.	Select "Low" on battery protection (See page 11 and 12)
The ventilation fan is noisy or not running.	The ventilation fan is blocked or damaged. There is excessive dust or dirt build-up on the fan. Fan damaged.	Check the ventilation fan for obstructions. Ensure sufficient space is allowed around the ventilation area. (page 4) If the fan is broken, return the refrigerator to an authorised agent for repair.
The Fault ID light is flashing twice every 4 seconds.		
The Fault ID light is flashing 3 times every 4 seconds.	The compressor failed to start correctly. High pressure due to over-load or electronic failure.	Under high pressure conditions this fault will rectify itself automatically when gas pressures equalise. Continuous 3-flash conditions may require electronic control replacement by an authorised service agent. (Page 28)
The Fault ID light is flashing 4 times every 4 seconds.	The compressor is not maintaining the correct minimum speed.	Continuous 4-flash conditions may require electronic control replacement by an authorised service agent.
The Fault ID light is flashing 5 times every 4 seconds.	Compressor area is over-heated. The cooling fan is in-operative. Ambient temperature very high. Fridge over-loaded.	Check fan. Check for inadequate ventilation (See page 4) Wait for ambient temperature to drop. (See page 12)
The thermostat display is showing " Prf "	The internal temperature probe is faulty, damaged or disconnected.	Contact a National Luna service agent for a probe replacement.

General Maintenance



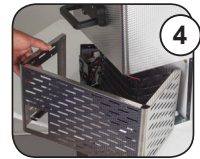
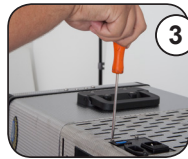
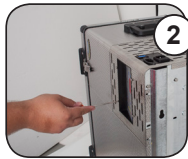
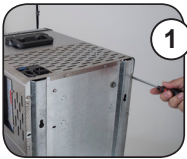
Disconnect the Power Supply

Failure to disconnect the power supply may result in electrical shock or personal injury.



Removal of Side Cover

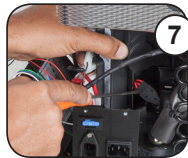
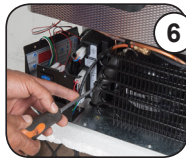
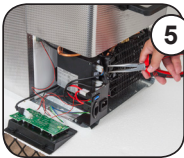
Tip refrigerator so as grill area is at the top. (Pic 1) Remove screws from base plate (6xM5 screws) and from the face plate (4xM3 screws - Pic 2) Then from the power inlet area (2xM3 screws - Pic 3) The grill will now slide away easily. (Pic 4)



Removal of the Compressor Electronics (Page 27)

It will be necessary to remove the colour coded wiring from the electronics using a pair of long nosed pliers (Pic 5). Using a screw driver remove the locating screw that holds the electronics onto the compressor (Pic 6). Remove the electronics and the 3 - pin coupler as shown (Pic 7). When re-connecting new electronics take care to adhere to the wire colour coding. (Pic 8)

Incorrect connection may cause irreparable damage to the electronics

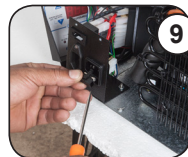
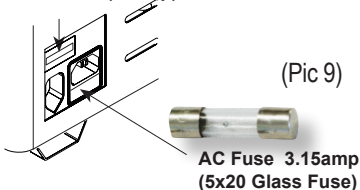


Replacing the AC & DC inlet fuses

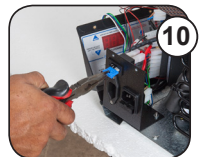
Should the fridge not operate on AC mains power it will be necessary to replace with a 5x20mm 3.15 amp "Slow-Blow" fuse as shown in (Pic 9).

For DC remove the blue 15amp automotive blade fuse to check/replace. (Pic 10)

DC Fuse (15amp)



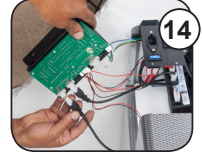
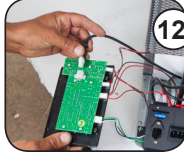
AC Fuse



15A DC Fuse

Replacing the temperature probes (Page 27 - “Prf”)

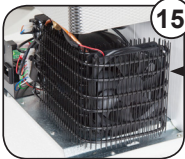
The temperature probe is inserted into the refrigerator box and clips onto the face plate main control board. A soft putty compound is pressed around the probe cable to prevent condensation /water ingress. The single door probe can be removed by unclipping from the face plate (Pic 12). The double door probes can be replaced in a similar manner. (The probes must not be switched around). Insure that the new probe is inserted to the same depth as the original probe.



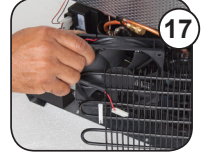
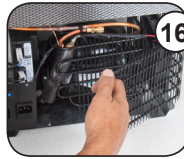
Cleaning the Condensor / Replacing the Fan (Page 27)

Fluff and dust collects around the fan and condensor area which chokes the air flow and affects the fridge performance (Pic 15). The fan is attached to the condensor unit and can be removed without moving the compressor.

Using a side cutter remove the cable ties around the condensor and gently bend open. Remove the fan and replace (Pic 17). (Take care not to bend the condensor open excessively). The fan must be repositioned with small cable ties making sure that the fan blades do not foul against the condensor pipes.



← This area to be kept clean



Removal of the Door Sealing Gasket (also see Pg 8 - Loose Latch Condition)

Over time the door gasket adopts and moulds/compresses itself into a fixed shape. Simply pull the gasket from a corner and remove (Pic 18). One can clean the gasket and place it in the sun to soften the material. It can also be softened using a hair dryer to attain it's uncompressed state.



8 The National Luna refrigerators utilise a multi-cavity door seal which gives exceptional sealing capability. Under hot conditions, and after loading the fridge, the door could be “sucked” closed. (A vacuum is formed inside the fridge causing difficulty to open and a temporarily loose latch condition).

Removal & replacing the interior LED light

Using a small screw driver prise the LED housing upwards (Pic 19). Unclip the wires and replace the unit (Pic 20) Note: The double door units should only use the 2 LED light.



Single door units



Double door units

NATIONAL LUNA LIMITED WARRANTY - **SOUTH AFRICA (Only)**

This National Luna Warranty supersedes any other advertised Guarantee or Warranty provided with this appliance by any wholesaler or retailer.

National Luna warrants this product to be free from defects in materials and / or workmanship under normal use and service to the original purchaser subject to the following :

1. At any time within THREE YEARS from the date of purchase by the original purchaser, National Luna will at its discretion replace or repair without cost to the owner, and if through an authorised service agent, any part found to be defective by National Luna.
Where parts are replaced by an authorised service agent, the labour account for the work done will be for the owner's account.
2. This warranty does not apply to light bulbs, fuses, cooling fans or items where the length of life depends on the amount of use and care given.
3. The Danfoss BD35F compressor has a 1-year manufacturers guarantee.
Correct completion and submission of the Warranty registration card supplied with this booklet allows for an additional 2-year warranty to be provided by National Luna on the compressor.
4. This warranty is valid in South Africa only.
5. National Luna may consider a warranty void if modifications have been made to this appliance which may cause undesirable or hazardous operation or may be the cause of the malfunction of this product.
6. National Luna shall not be responsible for any damages of any kind resulting from incorrect voltages or faults with regards to power supply which fall outside of the appliance operating specifications.
7. National Luna shall not be responsible for damage to the appliance caused by negligent use, storage of hazardous chemicals, use of corrosive substances, fire, flood, civil-disturbances, lightning or any other natural phenomenon.
8. Warranty returns to the factory for repairs - in the event where the unit has been shipped to the factory for repairs, transport costs will be for the owners account.
9. National Luna will not accept any responsibility for the consequential loss or damage caused by, or due to the malfunctioning of this appliance.
10. National Luna shall not be held responsible for any injuries to persons caused by the incorrect or negligent usage of this appliance.
11. Repair work to be done in terms of this warranty must be referred to National Luna for written authorisation before any work is carried out.
12. National Luna reserves the right to refuse repair or service under warranty if the Warranty registration card or original proof of purchase cannot be produced.
13. Proof of purchase and purchase date must be presented with submission of a warranty claim. All refrigerators have a unique serial number.

(Removal of the serial number on the appliance will render this warranty void).

NATIONAL LUNA LIMITED WARRANTY - INTERNATIONAL

This National Luna Warranty in South Africa cannot be applied outside the South African borders for practical reasons.

1. National Luna has a world wide distributor network. These distributors import products and carry the warranty (at their cost) in line with the various countries conditions of sale.
2. Cross border customs and duties apply. A National Luna manufactured product that is returned to the factory in South Africa will have the South African warranty applied. However, all transport costs incurred will be for the purchaser's account.
3. It is important to note that a private purchase of a refrigerator in South Africa and exported will not carry a warranty. Any labour repairs and parts required would incur costs in foreign currency and be for the owner's account.
4. In the event of a National Luna refrigerator being fitted as standard equipment in caravans and trailers and subsequently being exported from South Africa, the warranty must be carried by the persons responsible for importing into a country other than South Africa.
5. It is recommended that National Luna products be purchased from the authorised importer of that particular country who would carry the applicable warranty and back-up service.

For tracking and warranty purposes, please fill in the information below

Serial No : _____

Dealer's name / Stamp :

Model : _____

Date purchased : _____

Invoice No : _____

CARE AND CLEANING

Your refrigerator should be cleaned in the following manner, both on installation and when defrosting. It is important that you keep the inside and outside of your refrigerator/freezer clean to prevent bacteria and odours from forming.



Remove all food and ***disconnect the power source before cleaning.***

Do not use any ammonia based cleaning products as this may have an adverse chemical reaction with plastic components.

Do not dry the fridge in direct sunlight.

Interior:

Wash the interior of the refrigerator with a mild household cleaner (dishwasher liquid) or 2 tablespoons of bicarbonate of soda diluted in 250ml of warm water. Rinse with warm water and dry.

Fridge / Freezer Odours:

Place an open container of Bicarbonate of Soda into your fridge or freezer to absorb odours. Stir every two weeks and replace every two months.

Exterior:

N.B. DO NOT use a garden hose to wash the refrigerator exterior as this could jet water into the electronics.

Wash the exterior with the same solution as for the interior.

DO'S



- Routine simple and gentle cleaning
- Use cleaners showing "Suitable For Stainless Steel"
- Employ repeated Routine Cleaning rather than an aggressive single cleaning

DON'TS



- Use coarse abrasive powders
- Use metallic scourers (or brushes with metal bristles)
- Use the "Silver Cleaners"
- Use any ammonia based cleaning agents

Stainless Steel - (Grade 430)

Because of its reputation for durability, stainless steel is sometimes assumed to be indestructible, and therefore subjected to misuse or even abuse. Care should be taken to avoid such "abnormal" use.

- **Avoid prolonged contact with heavily spiced or salty food, raw bloody meat, some salad dressings, citrus juice (especially lemon juice), etc.**
- **Do not leave ordinary steel or cans in contact with stainless steel under damp conditions as an electrolytic reaction occurs and causes stains.**

ROUTINE CLEANING: Stainless steel's best friends are quite simply soap, or mild diluted detergent in warm water, applied with a soft cloth or synthetic sponge.

Occasionally the use of a fine synthetic scourer (green "Scotch-Brite"™) or a brush with nylon bristles may be used. Rinse well, dry with a soft cloth.



www.nationalluna.com

National Luna - South Africa

Tel : +27 (0)11 452-5438

Fax : +27 (0)11 452-5263

NL - Jan 2017 - M - R