



LEGENDEX ROGUE M.O.L.L.E

PRODUCT CODE: MR-JNY-R-1

Suzuki Jimny Roof Console Kit

PRODUCT CODE: MR-JNY-R-1



CHECK YOUR PACK LIST

Once you have unpacked the system from the box make sure you have all parts that are listed on the packing list below.

COMPONENTS

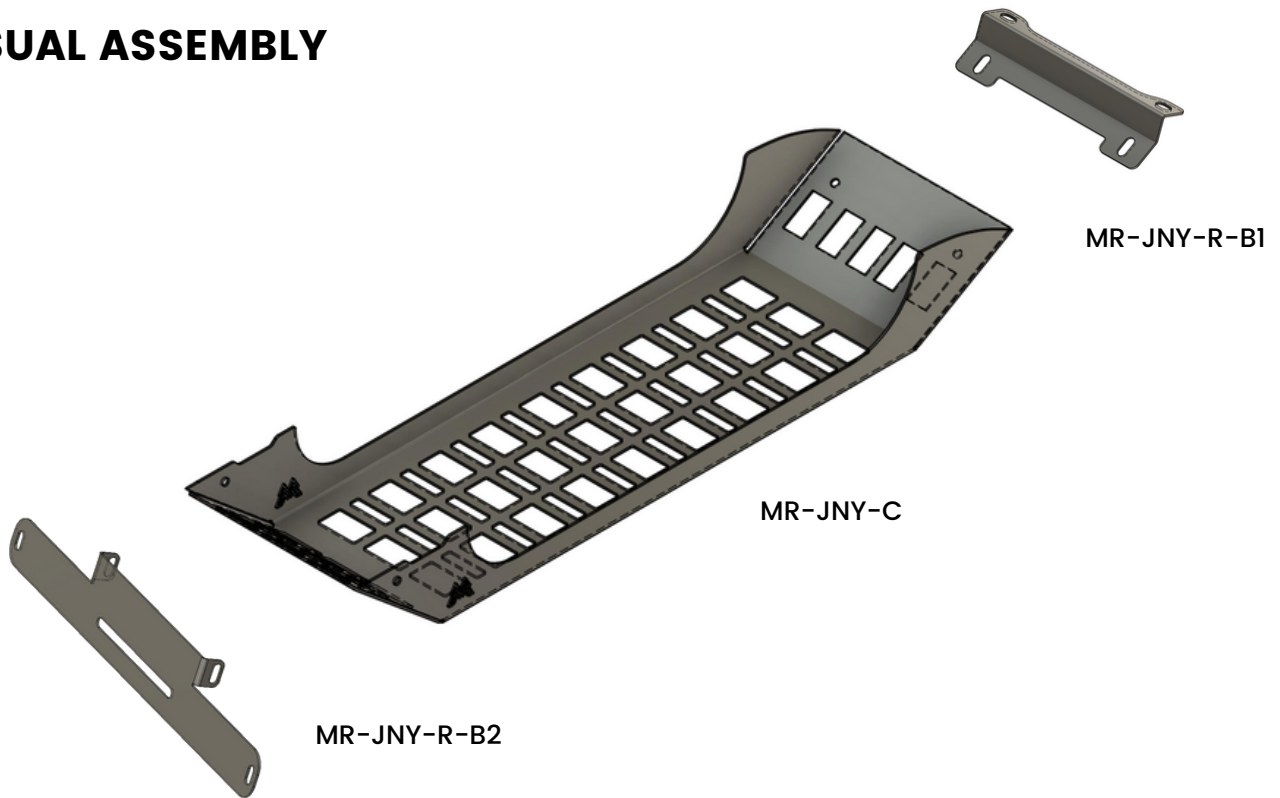
MR-JNY-C	ROOF CONSOLE	1
MR-JNY-R-B1	FRONT BRACKET	1
MR-JNY-R-B2	REAR BRACKET	1
BOLT	BUTTON HEAD HEX5 X 12mm	10

NUT	Flange Nut	6
NUT	Speed Nut	3

TOOLS REQUIRED

- 4mm Allen Key
- Screw Driver
- Flat Head Screw Driver

VISUAL ASSEMBLY



IMPORTANT

- Wear protective clothing including eye wear.
- Clean Hands work best.
- **Disconnect the Battery** to ensure you don't earth out. Or Use an Auto-electrician.

INSTALLING YOUR NEW ROGUE M.O.L.L.E

STEP 1

Start with double-checking all the correct components and gathering the tools required.

STEP 2

Firstly, remove the front interior light by simply pulling the unit down.



STEP 3

Run your finger along the edge of the interior light cutout and find two 8mm holes in the metal, you can use the front bracket as a guide, then Pierce the holes by using a screwdriver.



STEP 4

Fit the front bracket (centralised) with the 6mm bolts supplied along with nuts supplied and refit the front interior light

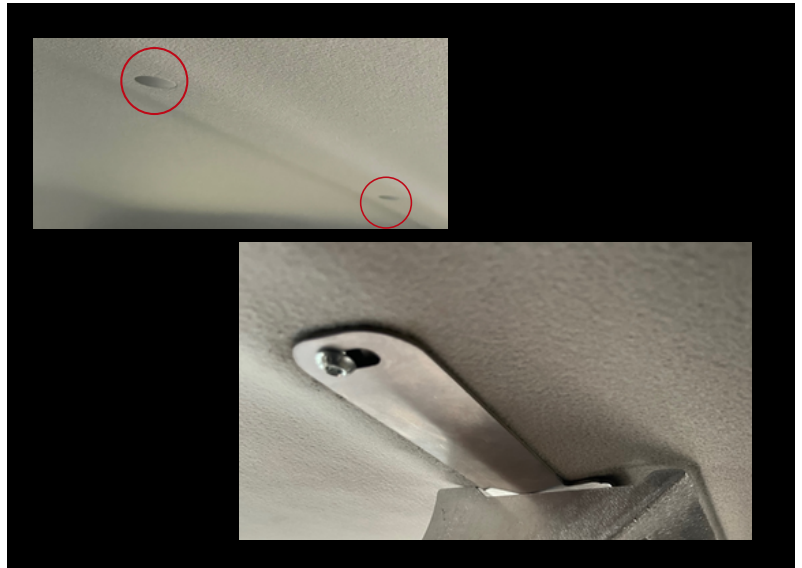


INSTALLING YOUR NEW ROGUE M.O.L.L.E

PRODUCT CODE: MR-JNY-R-1

STEP 5

Remove factory plugs from roof (circled in image) then fit rear bracket to roof lining where factory plugs previously were placed.



STEP 6

Fit the body of the roof console to front and rear brackets using the bolts and nuts supplied. Place console body at your desired height to the roof lining and tighten



STEP 7

Place your desired items on console, take some Photos and be sure to tag @legendex in your social media post.



NOTES



THANKS FOR CHOOSING A LEGENDEX PRODUCT

Make sure to join "The Legendex Nation" Facebook group to show off your rig, share your knowledge and support other legends who share the same passion for getting off-road and exploring Australia.

Be sure to follow us on Instagram @legendex and use the #legendexnation hashtag on your post to be featured!

