

READ ME !

Thank you for purchasing a Front Runner Base Deck.

Before you start, take a moment to familiarize yourself with the Fitting Instructions and the components received.

Refer to Page 2 for a list of all the components, quantities and tools required.

IMPORTANT WARNING!

IT IS CRITICAL THAT ALL FRONT RUNNER PRODUCTS BE PROPERLY AND SECURELY ASSEMBLED AND ATTACHED TO YOUR VEHICLE. IMPROPER ATTACHMENT COULD RESULT IN AN AUTOMOBILE ACCIDENT, AND COULD CAUSE SERIOUS BODILY INJURY OR DEATH. YOU ARE RESPONSIBLE FOR ASSEMBLING AND SECURING ALL FRONT RUNNER PRODUCTS TO YOUR VEHICLE, CHECKING THE ATTACHMENTS PRIOR TO USE, AND PERIODICALLY INSPECTING THE PRODUCTS FOR ADJUSTMENT, WEAR AND DAMAGE. THEREFORE, YOU MUST READ AND UNDERSTAND ALL OF THE INSTRUCTIONS AND PRECAUTIONS SUPPLIED WITH YOUR FRONT RUNNER PRODUCT PRIOR TO INSTALLATION OR USE. IF YOU DO NOT UNDERSTAND ALL OF THE INSTRUCTIONS AND CAUTIONS, OR IF YOU HAVE NO MECHANICAL EXPERIENCE AND ARE NOT THOROUGHLY FAMILIAR WITH THE INSTALLATION PROCEDURES, YOU SHOULD HAVE THE PRODUCT INSTALLED BY A PROFESSIONAL INSTALLER OR OTHER QUALIFIED PERSONNEL.

NOTE: Front Runner will not be responsible for any damage caused by the failure to install the product according to these instructions.

Please call us if you have any questions about the installation of this product.

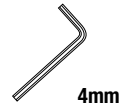
1

GET ORGANIZED

IN THE BOX

1	1 X	Base Deck 1LH + 1RH
2	1 X	Rear Mounting Bracket
3	1 X	Middle Mounting Bracket
4	1 X	Front Mounting Bracket
5	16 X	M6 Cage Nut
6	2 X	M6 x 16 Hex Bolt
7	2 X	M6 x 12 x 1SS Flat Washer
8	2 X	M6 Nyloc Nut
9	12 X	M6 x 30 Countersink Screw

TOOLS NEEDED

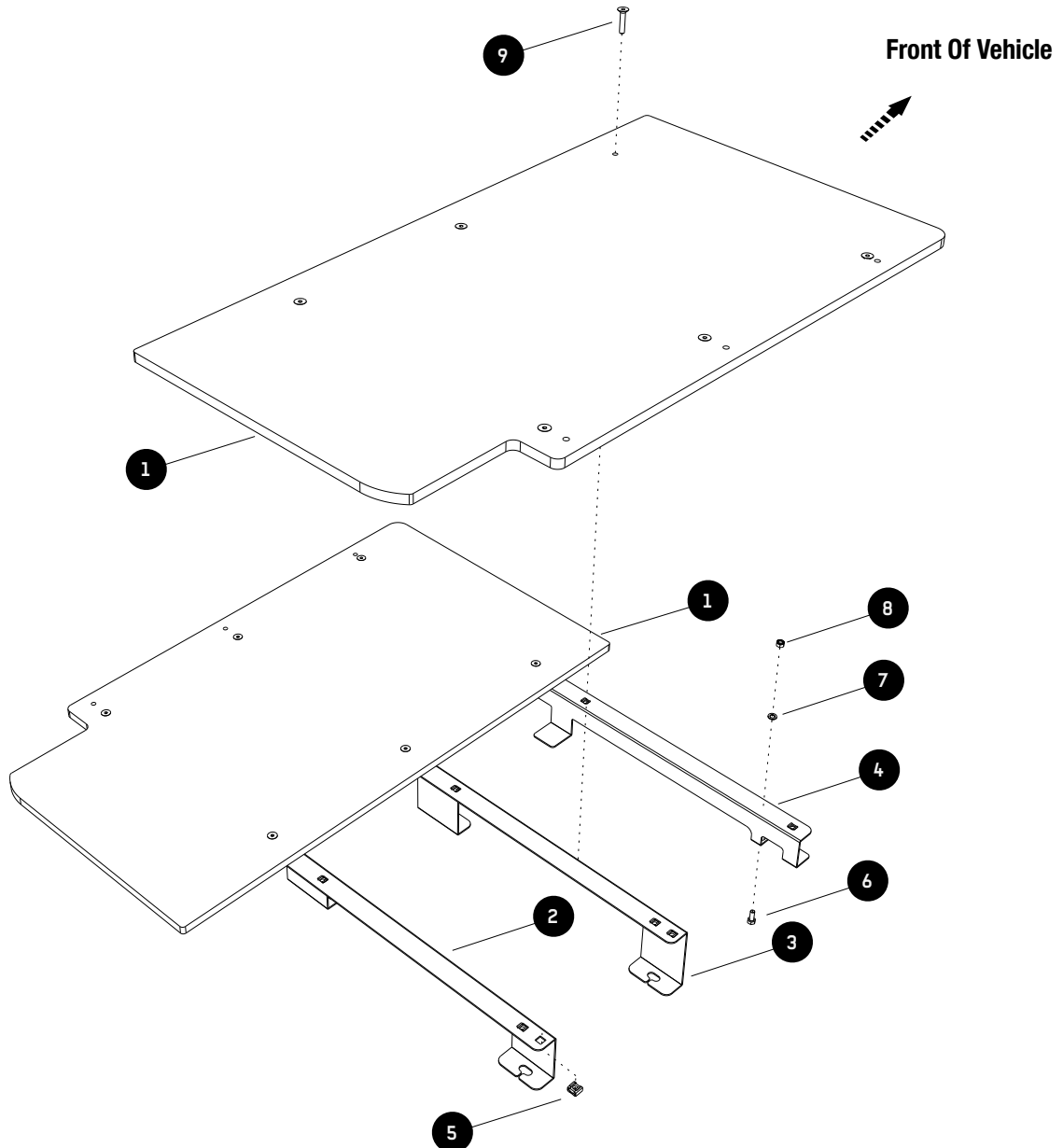


4mm



10mm
14mm

FIGURE 1.1



2**FIT AND SECURE**

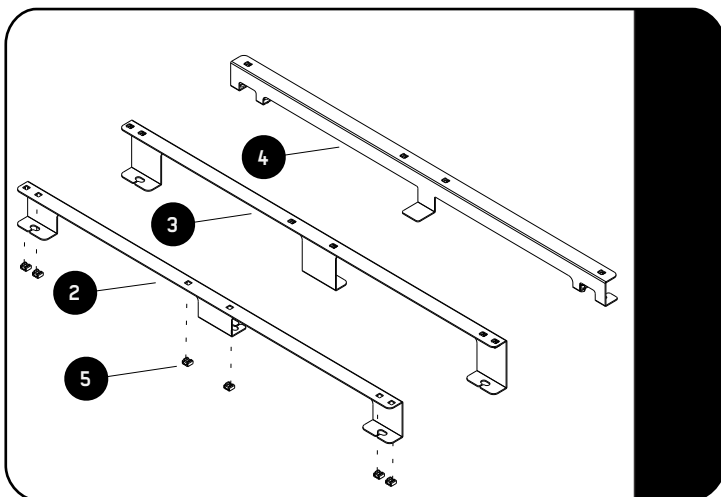
2.1



Before you start the fitment, remove the two rear seats and the storage box from the vehicle. Keep the fasteners as you will be using them for the fitment of the Cross Members.

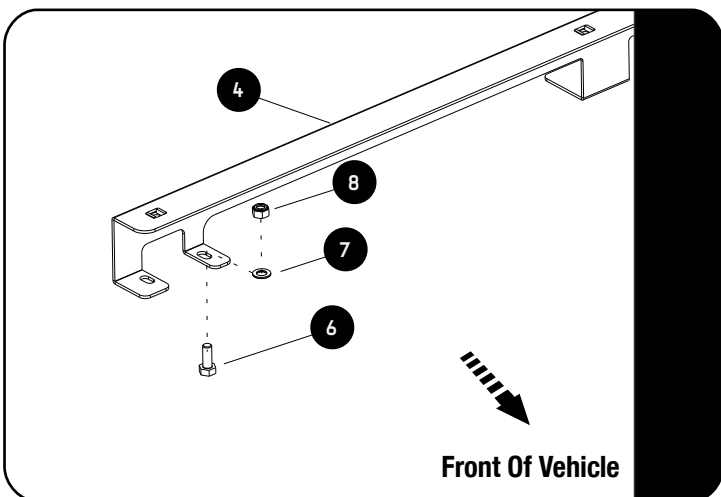
Remove the recovery equipment and store in a safe place.

2.2



Clip M6 Cage Nuts (Item 5) into the bottom of each Cross Member (Items 2, 3 & 4) as shown.

2.3



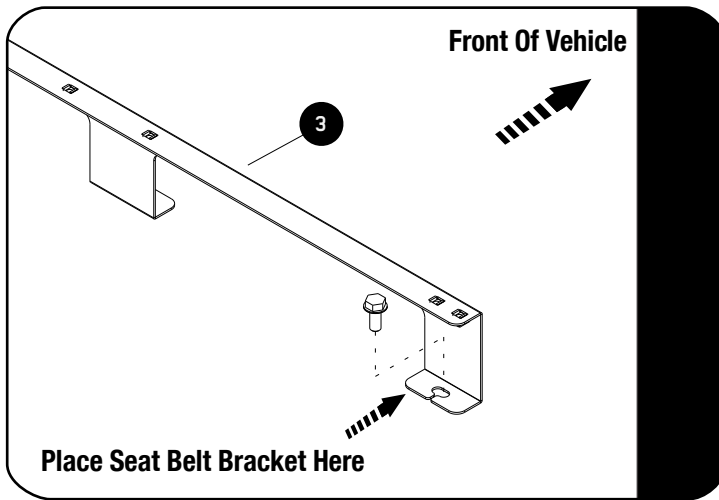
Secure the Front Cross Member (Item 4) to the seat front clip bracket using M6 x 16 Hex Bolts, M6 x 12 x 1SS Flat Washers and M6 Nyloc Nuts (Items 6, 7 & 8) as shown.

Do this on both left and right side of the Cross Member.

2

FIT AND SECURE

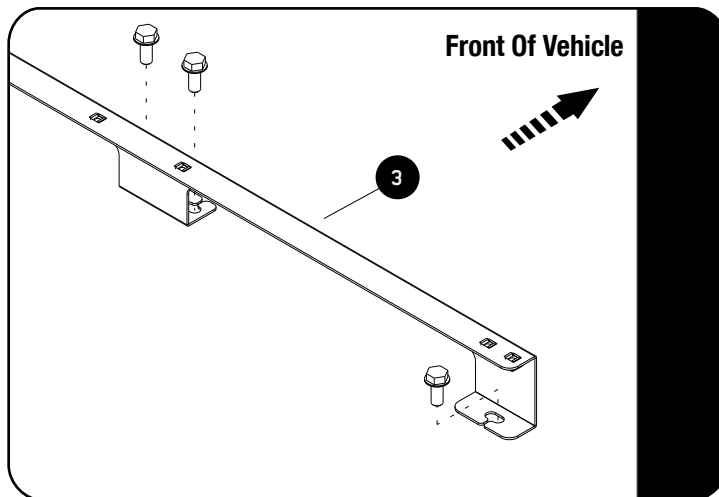
2.4



⌛ Before securing the Middle Cross Member (Item 3), loosen the rear seat belt bolts. Place the Cross Member down first, followed by the seat belt bracket and align all holes. Secure using the bolts removed earlier.

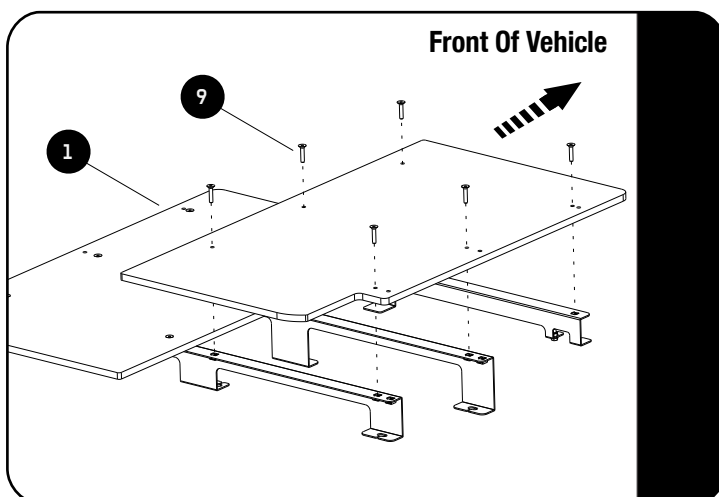
Do this on both left and right side of the vehicle.

2.5



⌛ Secure the Rear Cross Member (Item 2) using the bolts removed earlier in 2.1.

2.6



⌛ Secure the Left and Right Base Decks (Item 1LH & 1RH) to the Cross Members using M6 x 30 Countersink Socket Screws (Item 9) as shown.

3

FINISH

Congratulations! You did it. Take a step back and admire your work!

4

INSTALL OTHER VEHICLE AND RACK ACCESSORIES

Now's the time to visit your favorite Front Runner Dealer in person or online.

Be sure to tag us. We love to see our gear in action! #FrontRunnerOutfitters #BornToRoam

Share your adventures on: 