

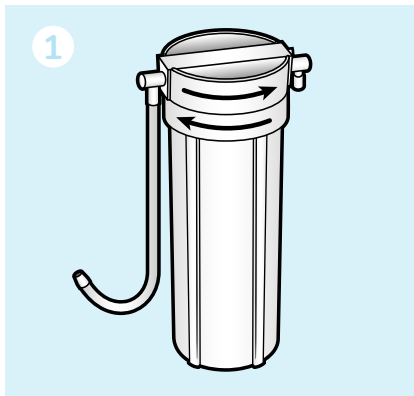


CARTRIDGE REPLACEMENT: DOULTON ULTRACARB CARTRIDGE

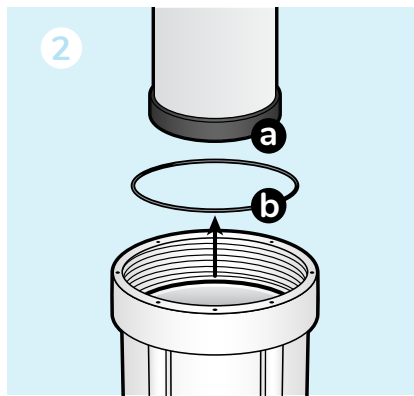
← For an easy to follow video on how to replace your **Doulton Ultracarb Cartridge**, please scan here.



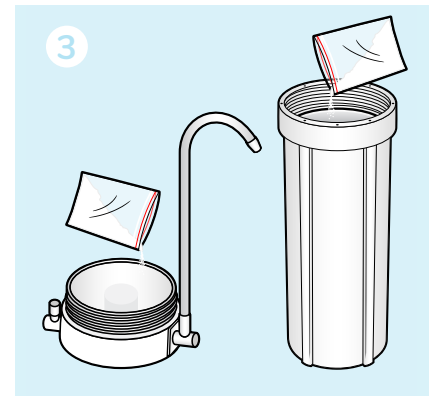
STEP 1. Replace the filter cartridge



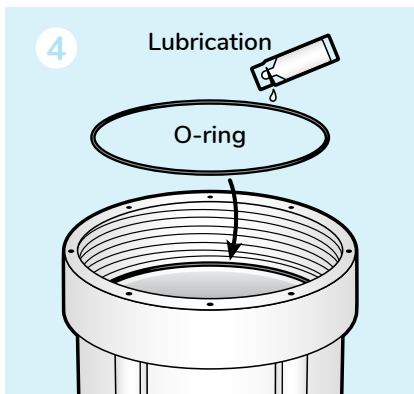
Turn the system upside down and place over a sink, unscrew the base from the housing.



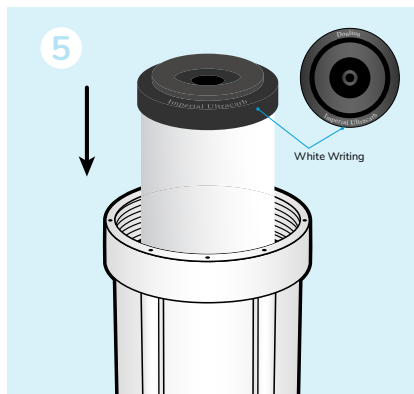
Empty water from the housing and remove **(a)** the cartridge and **(b)** o-ring. Discard both.



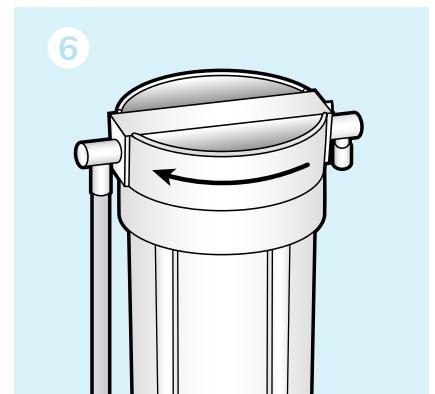
Clean the inside of the housing and base using a food-grade sterilising solution (provided with the replacement cartridge). Thoroughly rinse the housing and base with clean water.



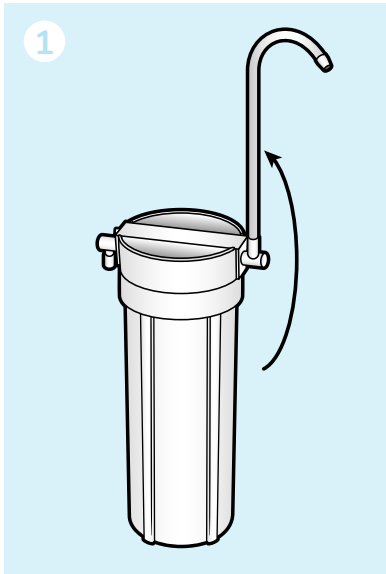
Lubricate the new o-ring with the solution provided, then seat the o-ring in the groove of the housing, as per the instructions supplied. Ensure the o-ring is seated properly.



Remove the wrapper and label from the new Doulton Ultracarb Cartridge. **Ensure the rubber seals on both ends of the cartridge are seated correctly.** Ensure the open end of the cartridge (with the white writing) is facing **UP and towards you**, then place the cartridge inside the housing. The cartridge can only be installed one way.

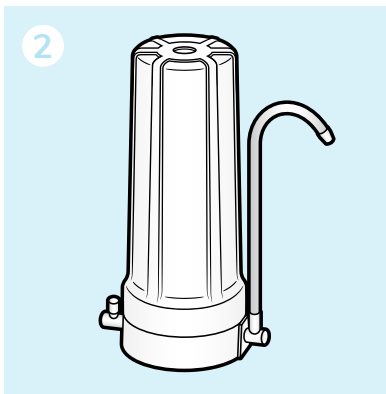


With the system still upside down, screw the base back onto the housing.



STEP 2. Flush the cartridge

1. With the system still upside down, raise the spout half a turn anticlockwise as per **Figure 1** - ensure the spout is positioned over the sink.
2. Turn on the cold water tap and turn the lever on your diverter up to the horizontal position. Run water through the system for a few minutes. (New filters need to be flushed for a few minutes prior to being used).



3. Turn off the tap and return the system and spout to its upright position - **Figure 2**.
4. Once again, ensuring the spout is over the sink, run water through the system for a few minutes.
5. Your system is now ready for use.

To ensure you're drinking the best quality water and avoid potential bacteria build-up, it is recommended to replace your filter cartridge every 12 months or 2,300 litres, whichever comes first.

The cartridge replacement process is simple to complete in just a few easy steps. Should you need any assistance, please contact our Customer Service Department on **1300 808 966**.

Important things to remember

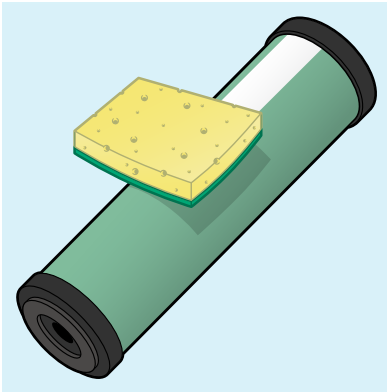
- When you first install your filter or replacement cartridge you may experience intermittent dripping due to pressure building up, this will cease with use. If this persists repeat Step 2.
- Do not run hot water through the system as this may damage the cartridge.
- Air bubbles may be present or the water may seem cloudy for a short period. This will cease with use.
- The fresh, healthy water from your filter is not just for drinking; it can be used for many things such as making tea and coffee, cooking veggies and pasta, or even water for your pets and plants.

Suitable for:



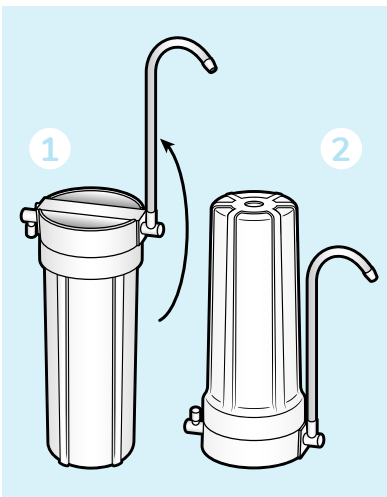
CARTRIDGE CLEANING INSTRUCTIONS: DOULTON ULTRACARB (ONLY)

Water flow from the cartridge may reduce over time due to a build-up of filtration particulate contaminants (e.g. dirt, sediment, algae, rust). To return the flow to its normal level simply remove, clean and replace the filter cartridge as follows:



STEP 1. Removing and cleaning the filter cartridge

1. Unscrew the filter housing from the base and remove the ceramic cartridge from the filter housing.
2. Take the cartridge to the sink and hold the cartridge under running water, taking care at all times not to contaminate the inside of the filter cartridge with either unfiltered water or dirty hands.
3. Scrape 0.5 to 1mm off the outer surface with a kitchen scourer.
4. Clean the inside of the housing with a food-grade sterilising solution or white vinegar. Rinse the housing well afterwards.
5. Place the filter cartridge inside the housing. Ensure the open end of the filter cartridge with white writing is facing UP and towards you (the filter cartridge can only be installed one way). Make sure the rubber seals on both ends of the filter cartridge are seated correctly.
6. Ensure that the black o-ring is properly seated in the groove of the housing base. With the system still upside down, screw the base back onto the housing.



STEP 2. Flush the cartridge

1. With the system still upside down, raise the spout half a turn as per **Figure 1** - ensure the spout is positioned over the sink.
2. Turn on the cold water tap and turn the diverter lever on your faucet up to the horizontal position. Run water through the system for a few minutes.
3. Return the spout and system to its upright position - **Figure 2**.
4. Your system is now ready for use.

Note: As well as periodic cleaning, the cartridge should also be replaced every 12 months or 2,300 litres, whichever comes first, to avoid a build-up of potentially harmful bacteria.