

KIRAVANS

TM

ISO
9001
QUALITY
ASSURANCE

KIRAVANS GUARANTEE

For Peace of Mind

Put simply, we guarantee everything we sell for 12 months.

If a fault develops within 12 months of purchase on anything you have bought from Kiravans we will replace or repair it - whichever is most suitable. If a replacement is not available we will offer you a refund.

Our liability extends only so far as the supply of the products to you. Preparation of your vehicle, surface preparation, installation, and fitting are your own responsibility and are beyond our liability.

To securely and safely install a swivel in an automotive environment usually includes heavy lifting and you may require specialist tools. If you are not confident in your own skills and experience then Kiravans recommend that you make use of a specialist campervan converter.



RIB SEAT SWIVEL CERTIFICATE

CERTIFICATION & SAFETY

All RIB / SCOPEMA seat swivels supplied by Kiravans have been tested and approved by TUV Rheinland. Full details are available in TUV Test Report number N° 93SG0316-09-k01 & other item-specific TUV reports.

Static Tests: The swivels with seats fitted have been tested on rigid test platforms against the standards specified by: EC Regulations ECE-R-14, 21 & 25, and EC Directives 76/115/CEE ECE-R-17, 74/408/CEE, 74/60/CEE, 78/932/CEE & 77/541/CEE

Dynamic tests: The swivels have been tested regarding the resistance of the seats fixations and their control levers, their locking (20 G test) and also the resistance to headrests restraint. The seats and swivels that have been tested meet the requirements of resistance-tests.

INSTALLATION RECORD

Please complete this section on installation

Swivel supplier: Kiravans order no: _____ Date: _____

Vehicle Model & Registration:

Swivel model: CBTO _____ Part no. (if applicable) _____

Installation Date:

For more information & other innovative camper van parts, visit:

www.kiravans.co.uk

Volkswagen T5 / T6 (EU Left hand drive)

Passenger Single Swivel Fitting guide

KIT INCLUDES

- 6 Num: M8 x 20 Countersunk
- 4 Num: M8 Nyloc nuts
- Certificate of safety

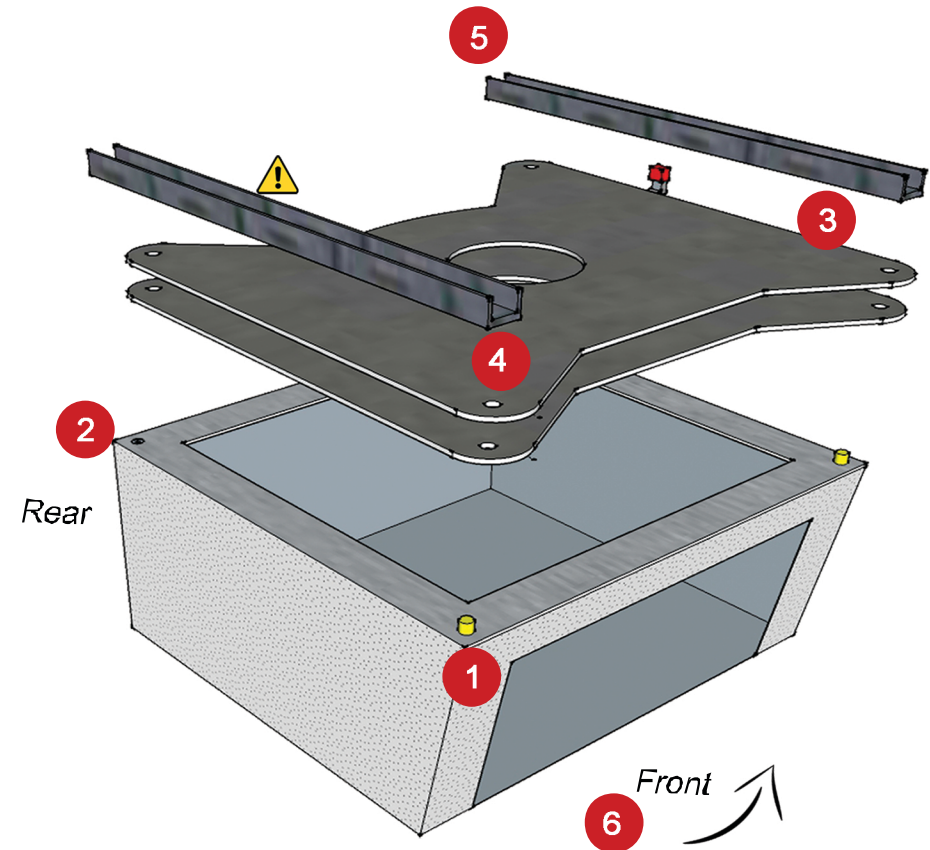
INSTALLATION

Tip: Apply loc-tite to each bolt to prevent loosening over time

⚠ Lever is located in centre of van

1. Original captive bolts in seat base and original nuts
2. 20mm countersunk bolts & original captive nuts in seat base
3. M8 x 20mm countersunk bolts & nyloc nuts
4. M8 x 20mm bolts & nyloc nuts
5. Original T5 sliders
6. Seat rotates counter-clockwise

CBT013RD2 (+ C= Central)



TIPS



- Before fitting:** Swivel may not spin easily, this is because the grease on the mechanism can be quite sticky when new, bolt the swivel to the seat base first and then you will be able to rotate it.
- Plastic trim on the rear of your seat base?** You will need to cut off the top horizontal section to make room for the swivel.
- Height adjustable seats?** Raise seat up to prevent seat trim plastics catching on the swivel during rotation.
If you tend to sit with the seat down low you may need to cut off some of the trim to make space for the release lever.
- In use:** Do not sit on the seat while rotating. Your seat will rock a little now as it is attached in the centre rather than at all 4 corners, but it should not rattle.
- Safety:** Only drive with the seat facing forwards and locked into position.
- Certification:** All RIB swivels have been tested in-vehicle & approved by TUV