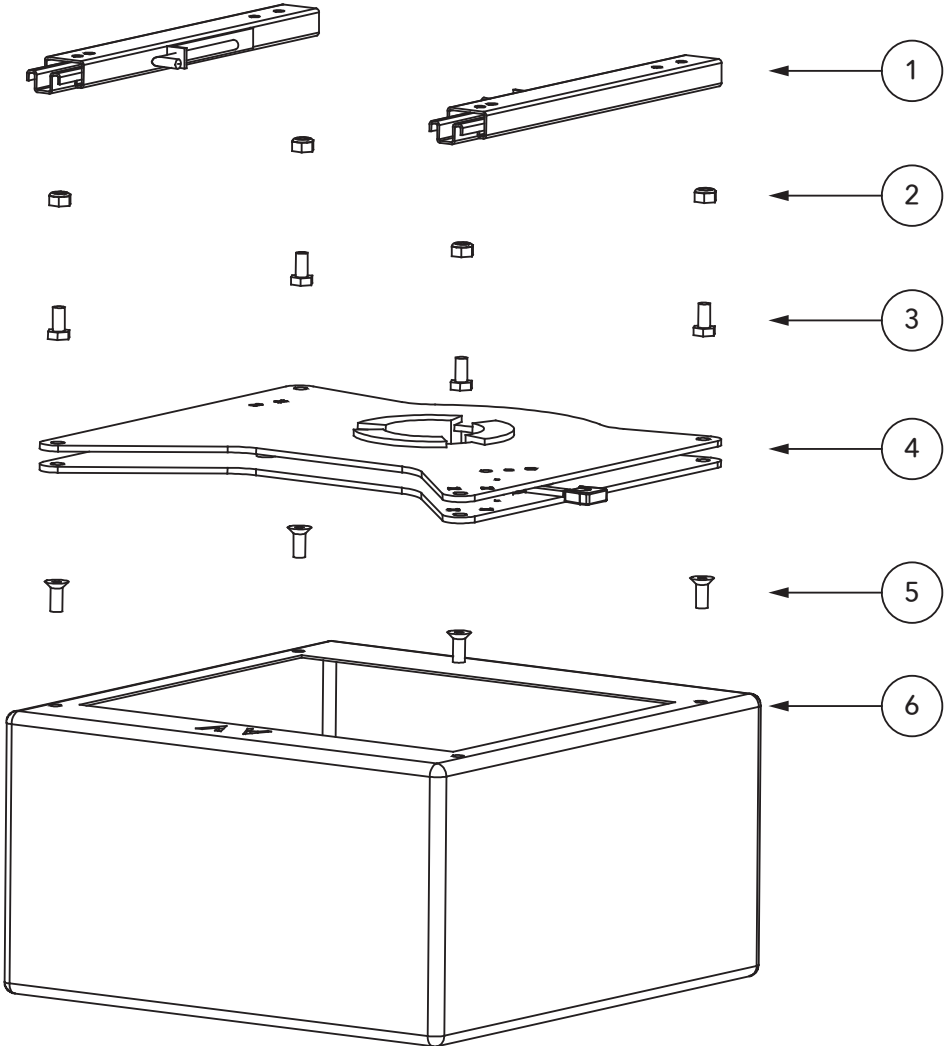


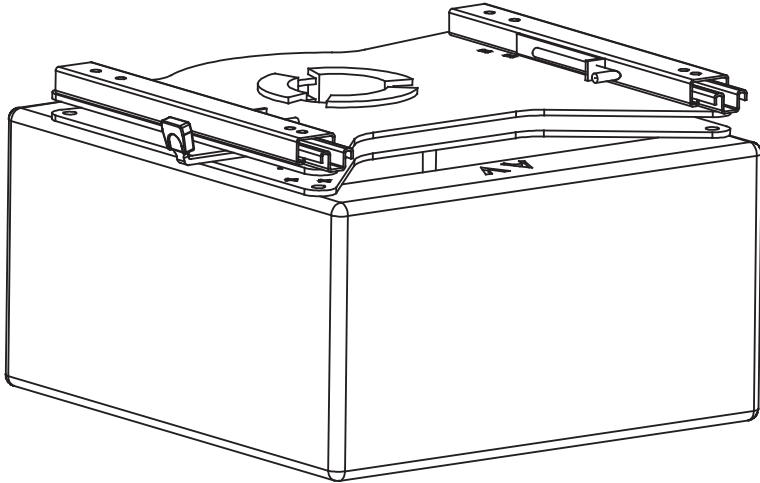
RIB Seat Swivel Installation VITO W639 (2004-2014) DRIVER & PASSENGER

Installation diagram for
CBTO14RD2
PASSENGER



1	Original Vito sliders
2	6 Nylstop nuts M10
3	4 Original Vito bolts
4	Swivel base CBTO14RD2
5	4 Countersunk hexagon bolts M10x25
6	Original Vito seat base

Installation diagram for
CBTO14G2
DRIVER



This diagram shows a left hand drive seat. Right Hand drives are simply a mirror image.