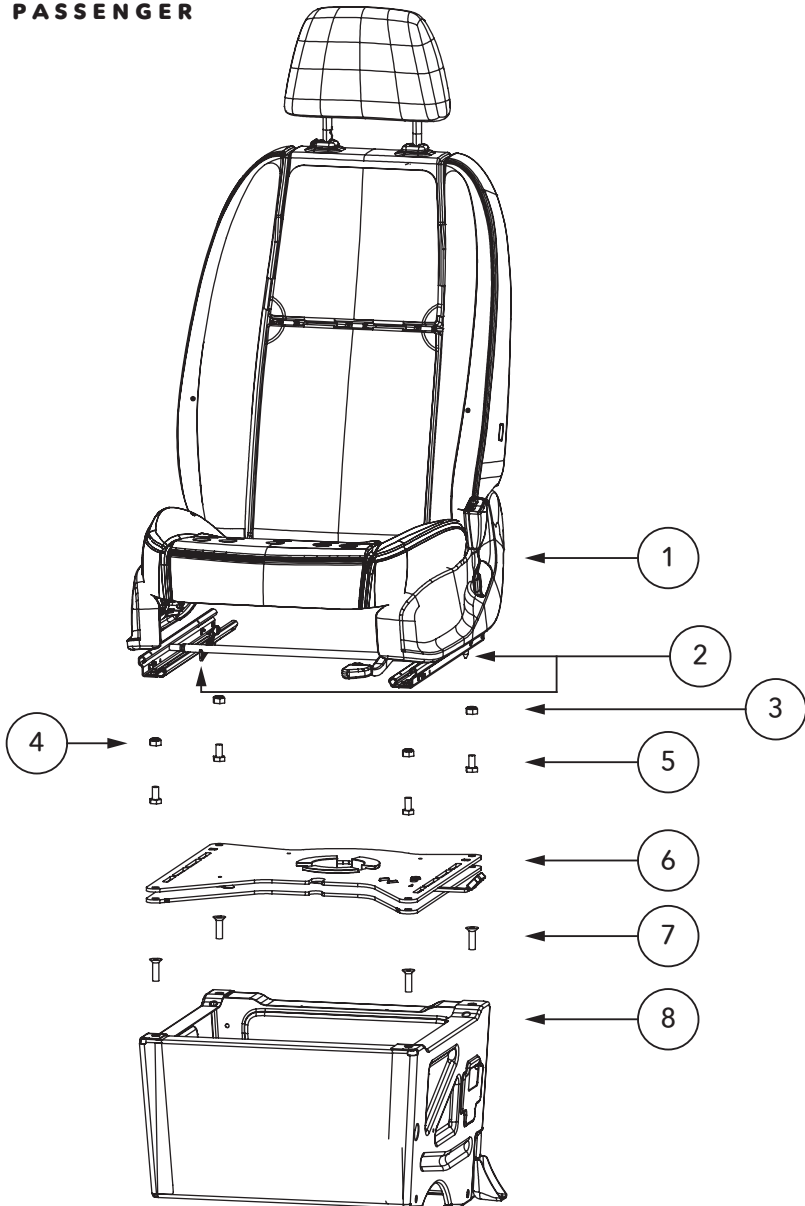


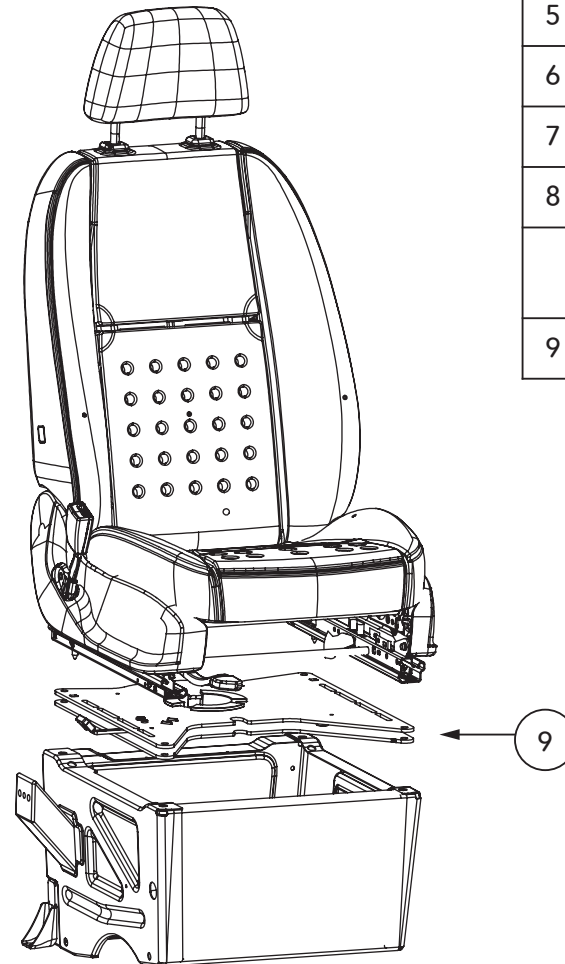
Seat assembly CBTO21D2

**PASSENGER**



Seat assembly CBTO21G2

**DRIVER = Symmetrical mounting**



1	Original passenger seat
2	Cut the 2 studs under the sliders
3	4 Nylstop nuts M10
4	Align the flat part of the nut next to the sides of the slider
5	4 hex head screws M10x20 - 30 N.m
6	Swivel base - Passenger CBTO21D2
7	4 Countersunk bolts M10x35 - 30 N.m
8	Original seat base
Unhook the connector block to secure it in the center of the seat	
9	Swivel base - Driver CBTO21G2