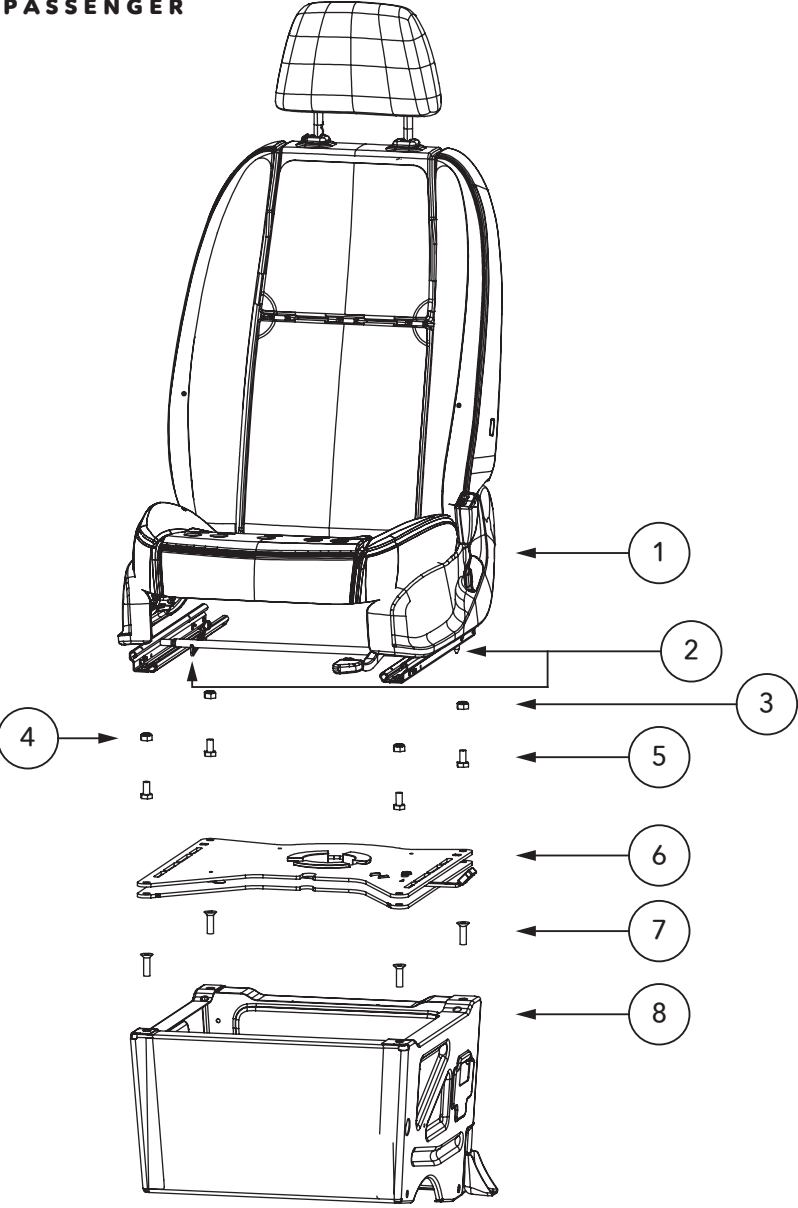
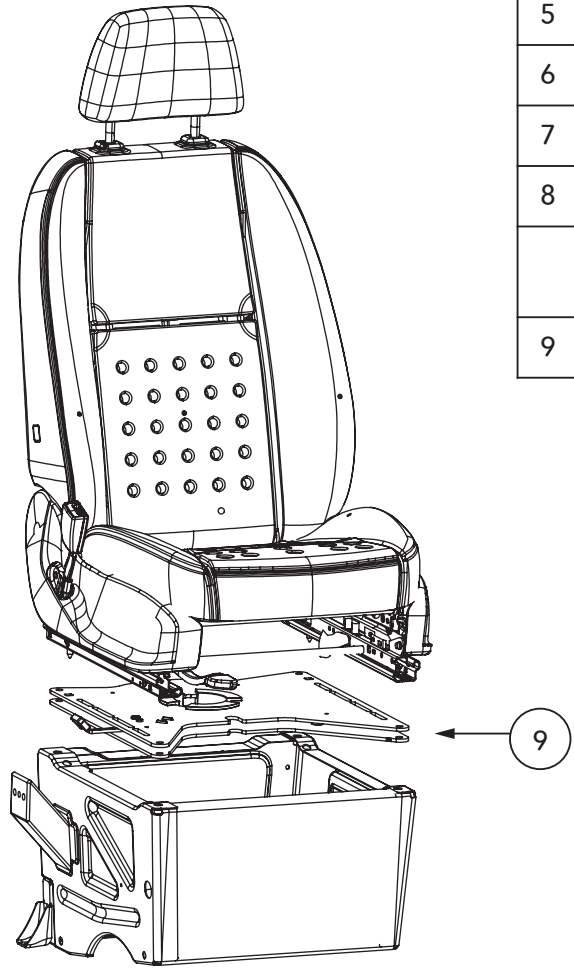


RIB Seat Swivel Installation SPRINTER M907 DRIVER & PASSENGER

Seat assembly CBTO21D2
PASSENGER



Seat assembly CBTO21G2
DRIVER = Symmetrical mounting



- | | |
|---|--|
| 1 | Original passenger seat Sprinter 907 |
| 2 | Cut the 2 studs under the sliders |
| 3 | 4 Nylstop nuts M10 |
| 4 | Align the flat part of the nut next to the sides of the slider |
| 5 | 4 hex head screws M10x20 - 30 N.m |
| 6 | Swivel base - Passenger CBTO21D2 |
| 7 | 4 Countersunk bolts M10x35 - 30 N.m |
| 8 | Original Sprinter 907 seat base |
| Unhook the connector block to secure it in the center of the seat | |
| 9 | Swivel base - Driver CBTO21G2 |

This diagram shows a left hand drive seat. Right Hand drives are simply a mirror image.