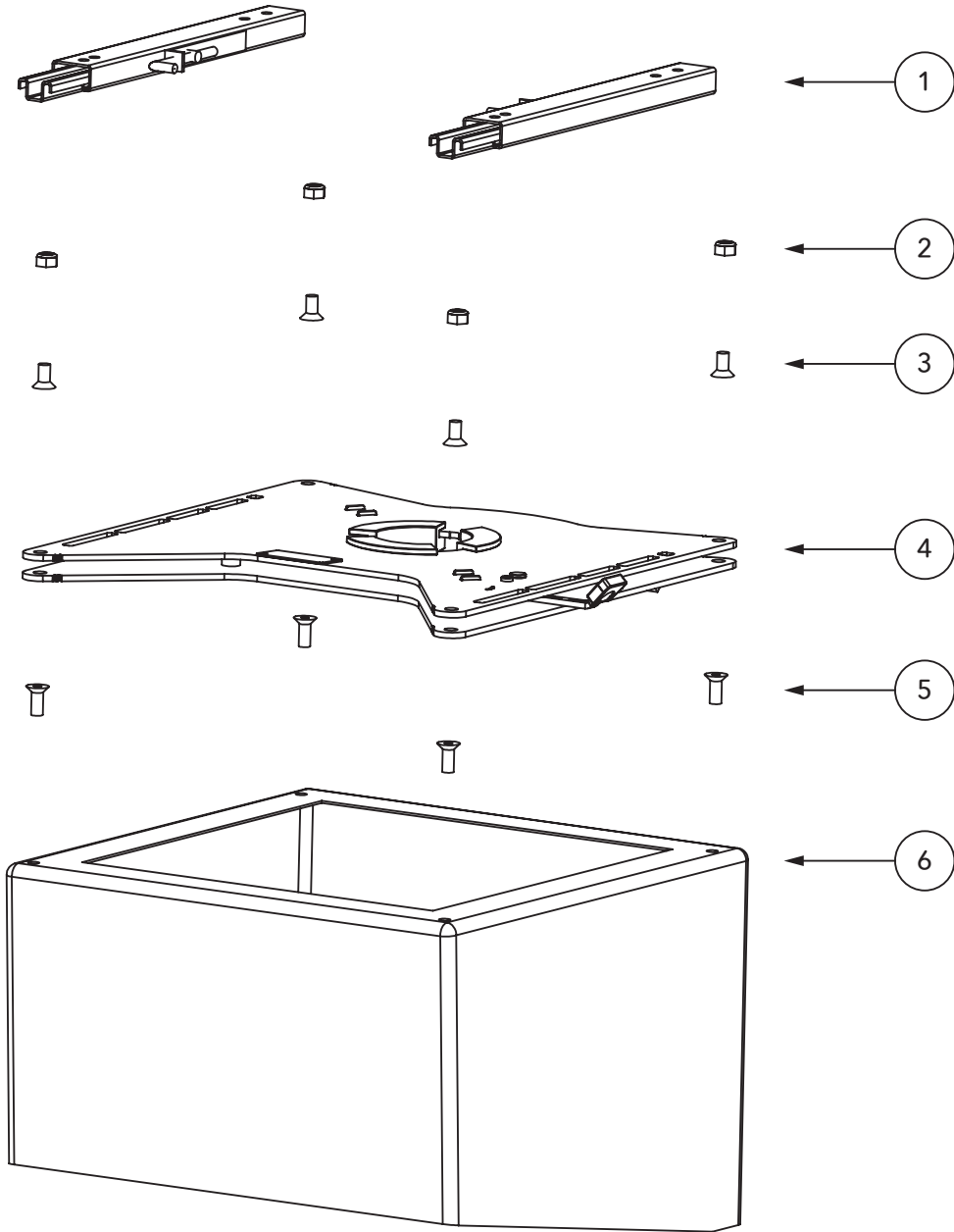


RIB Seat Swivel Installation SPRINTER M906 PASSENGER

Installation diagram for
CBTO15D2
PASSENGER



- | | |
|---|------------------------------------|
| 1 | Original sliders |
| 2 | 4 Nylstop nuts M10 |
| 3 | 4 Countersunk hexagon bolts M10x20 |
| 4 | Swivel base CBTO15D2 |
| 5 | 4 Countersunk hexagon bolts M10x25 |
| 6 | Original case |

ORIGINAL SEAT :

- Cut the plastic covers by 8cm on each side of the seat

This diagram shows a left hand drive seat. Right Hand drives are simply a mirror image.