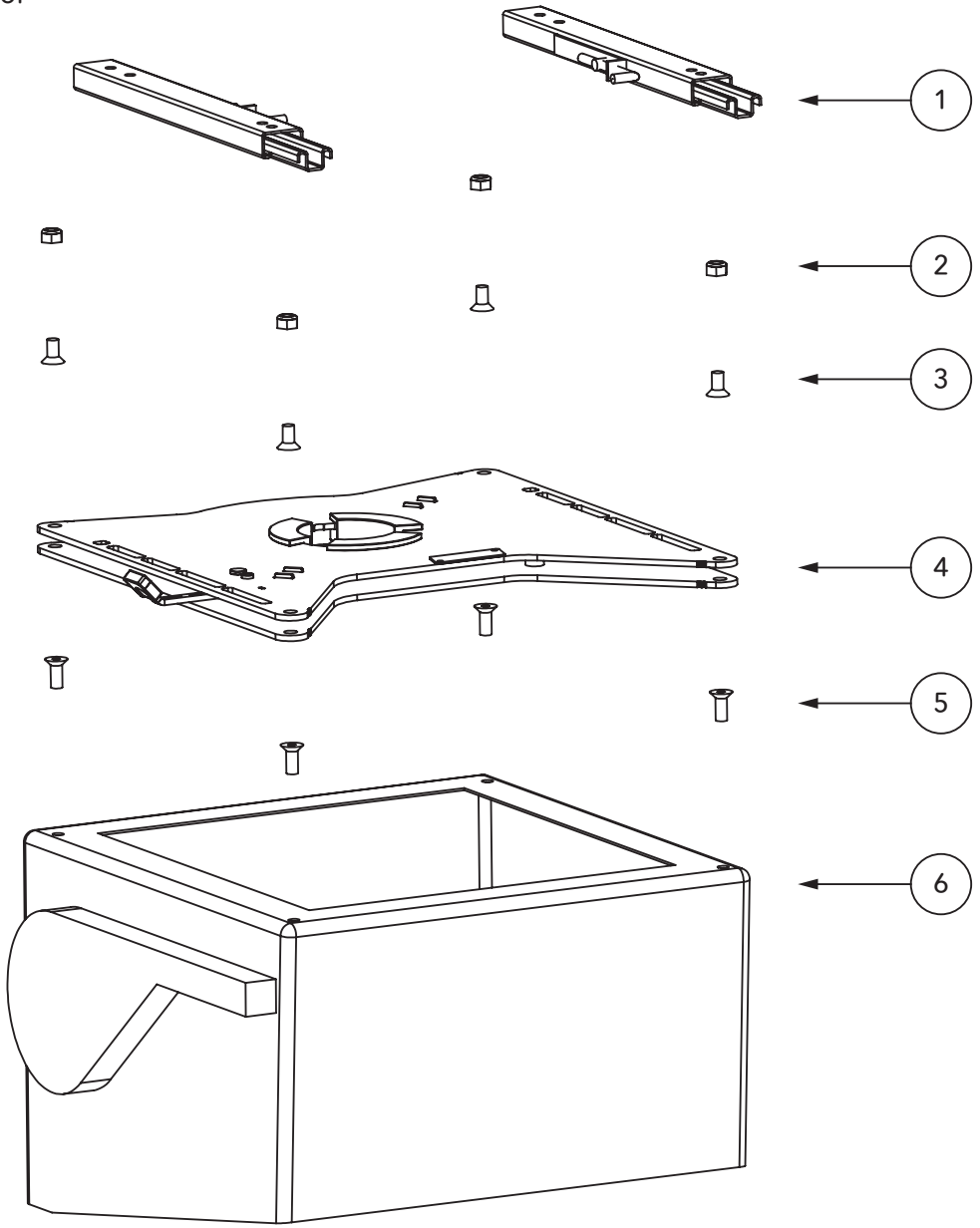


RIB Seat Swivel Installation SPRINTER M906 DRIVER

Installation diagram for
CBTO15G2
DRIVER



1	Original sliders
2	4 Nylstop nuts M10
3	4 Countersunk hexagon bolts M10x20
4	Swivel base CBTO15G2
5	4 Countersunk hexagon bolts M10x25
6	Original seat base
ON THE ORIGINAL SEAT :	
.....	
<ul style="list-style-type: none"> • Cut the plastic covers by 8cm on each side of the seat 	

This diagram shows a left hand drive seat. Right Hand drives are simply a mirror image.