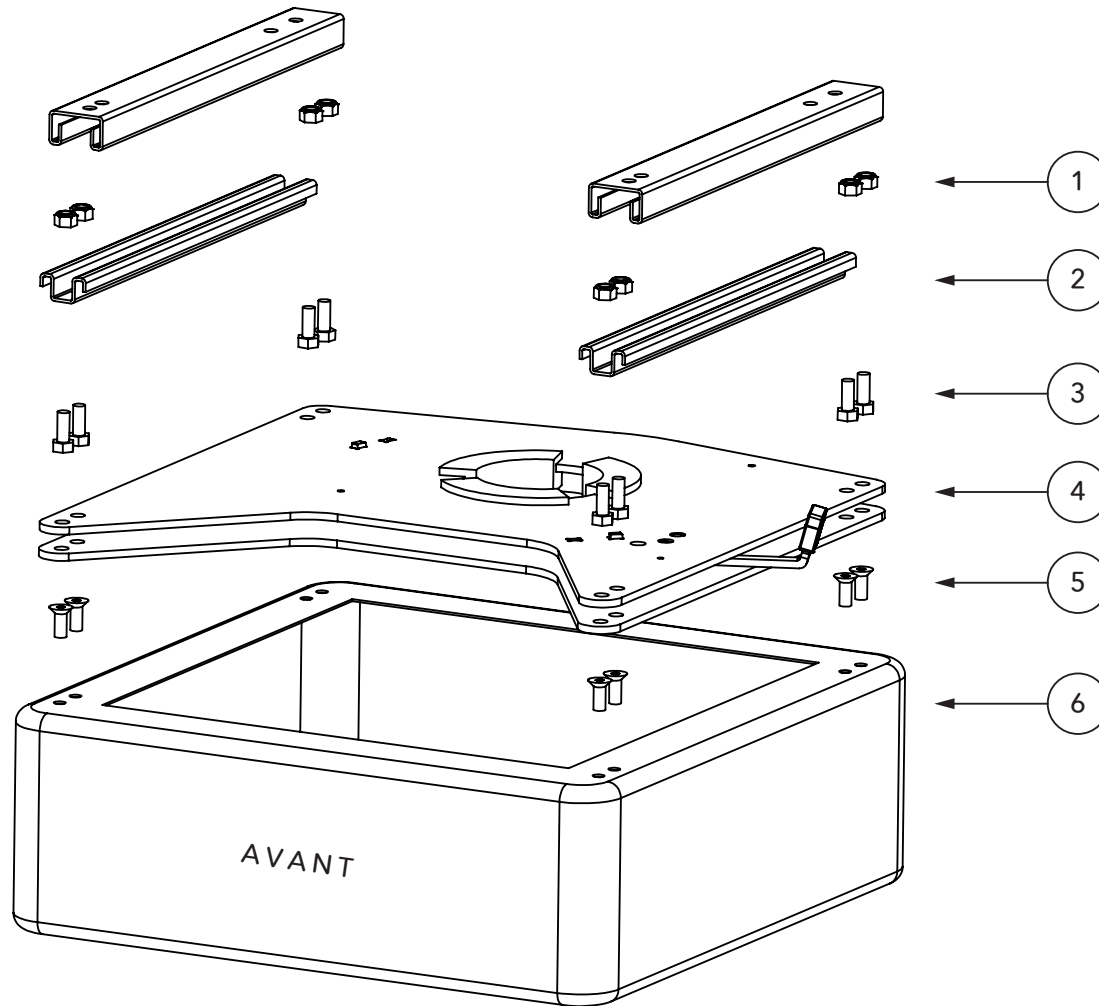




RIB Seat Swivel Installation TRAFIC 2001 X83 DRIVER & PASSENGER

Installation diagram for
CBTO11RD2 + CBTO11RD2C
PASSENGER



1	8 Nylstop nuts M8
2	Original sliders
3	8 Threaded bolts M8x20
4	Swivel base CBTO11RD2 / CBTO11RD2C
5	8 Countersunk hexagon bolts M8x20
6	Original seat base

The installation diagram for
CBTO11RG2 + CBTO11RG2C
DRIVER = symmetrical image