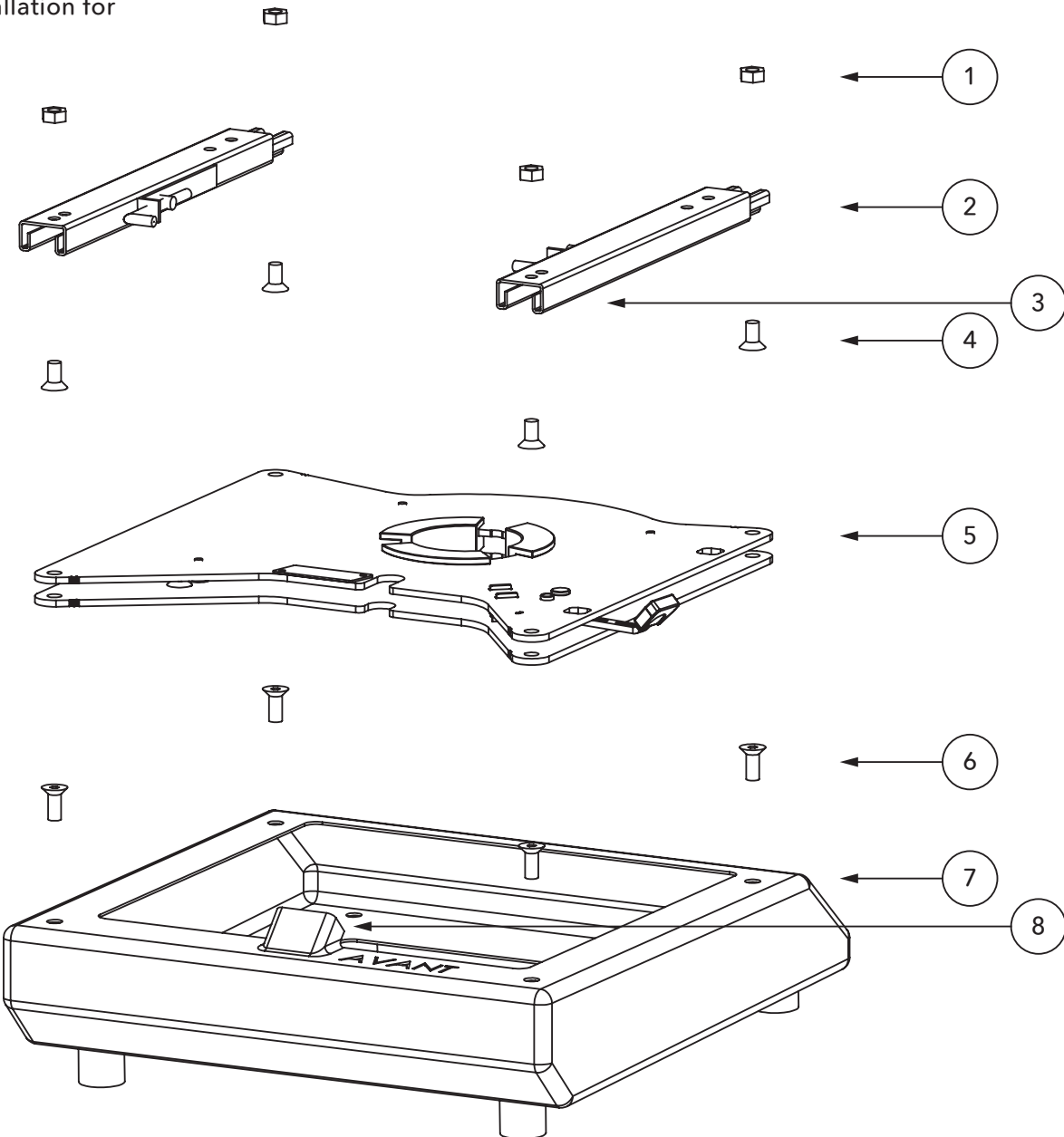


## RIB Seat Swivel Installation RENAULT TRAFIC X82 PASSENGER

Seat swivel installation for  
CBTO20D2  
**PASSENGER**



1	4 nuts M10
2	Original Trafic X82 sliders
3	Cut off the 2 pins under the left rail
4	4 Countersunk hexagon bolts M10x18 with threadlocker 25 N.m
5	Swivel base CBTO20D2
6	4 Countersunk hexagon bolts M10x25 - 30 N.m
7	Original Trafic X82 seat base
8	Fold the metallic flap towards the inside of the box

This diagram shows a left hand drive seat. Right Hand drives are simply a mirror image.