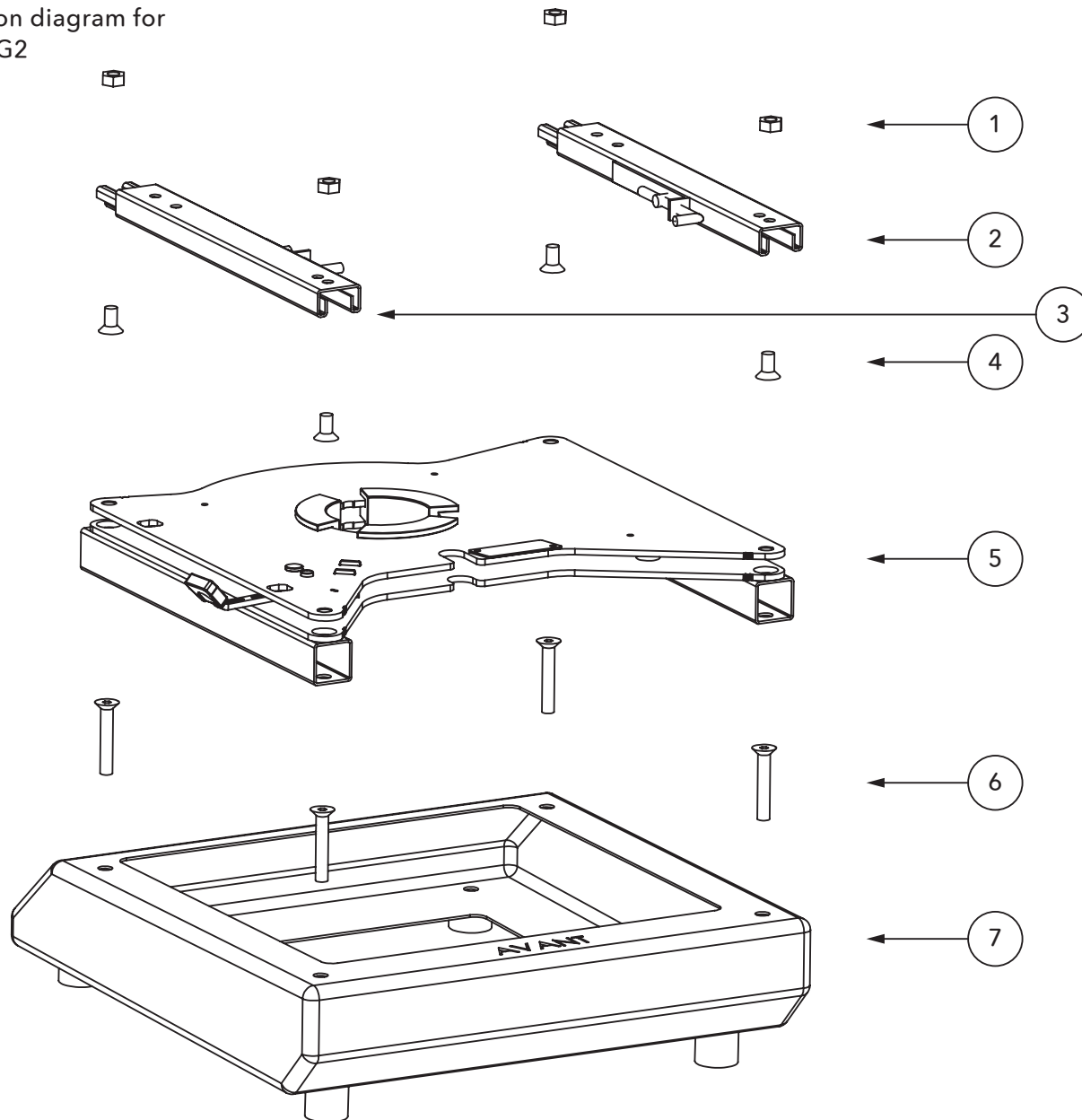


RIB Seat Swivel Installation RENAULT TRAFIC 2014+ X82 DRIVER

Installation diagram for
CBTO20G2
DRIVER



1	4 nuts M10
2	Original Trafic X82 sliders
3	Cut off the 2 pins under the right rail
4	4 Countersunk hexagon bolts M10x18 with threadlocker
5	Swivel base CBTO20G2 with raising shims Ht 35 mm
6	4 Countersunk hexagon bolts M10x60 - 30 N.m
7	Original Trafic X82 seat base